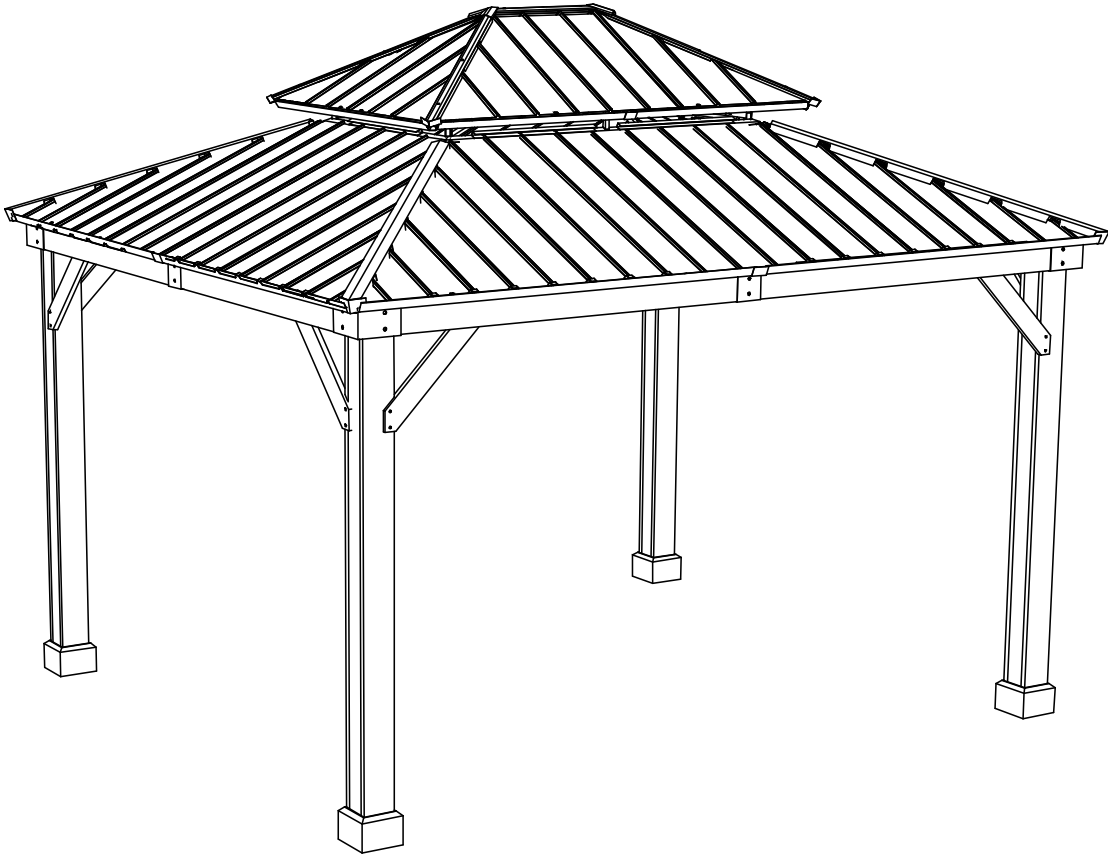


ASSEMBLY INSTRUCTION
ITEM#: A102007500



WE HAVE YOU IN MIND, LET US SERVE YOU!


Questions? Issues?

CONTACT US

24 hours / 7 days a week

 www.sunjoyonline.com

 customer.care@sunjoygroup.com

Toll Free  1-(866)-578-6569

Important Safety Instructions



Warning! To reduce the risk of serious injury, read the following safety instructions before assembling and using the gazebo.

Please check with your local governing authority/local municipal codes regarding installation of structures before assembly.

Caution! Proper placement of your gazebo is essential.

Do not place the product underneath electrical lines.

Keep children away during assembly.

This product contains small parts which can be swallowed by children.

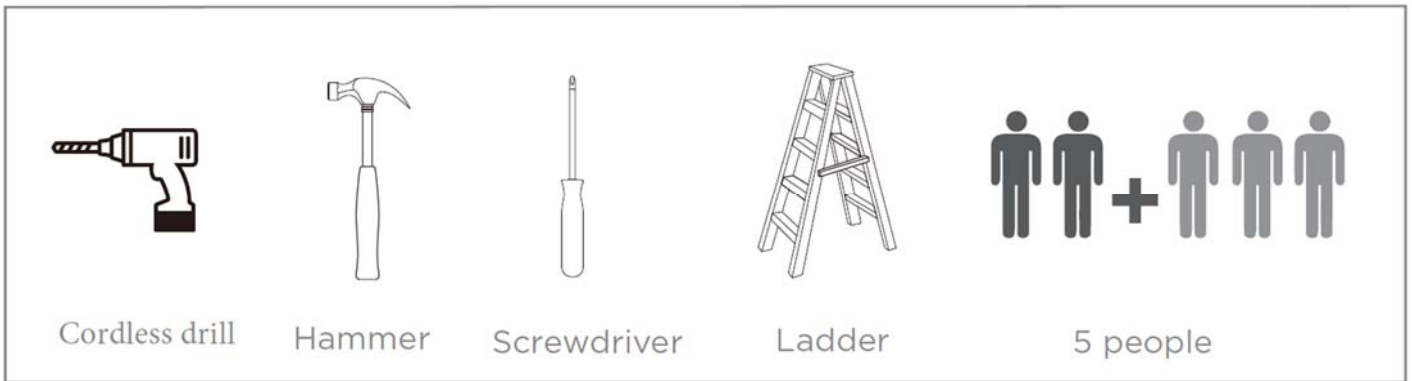
Keep fingers away from the places where they can be pinched or trapped.

Do not attempt to assemble the gazebo if any parts are missing.

- This product is intended for domestic outdoor use only.
- The product should be placed on flat, horizontal ground.
- Ensure enough clearance around the product. Before assembling the product, find level ground not less than 6' (1.8 m) away from any structures or obstructions, such as fences, garages, houses, overhanging branches, laundry lines, or electrical wires.
- This gazebo is not to be regarded as part of a building/house structure. The gazebo is to be anchored onto the ground for added safety. Do not assemble the gazebo onto soil/earth ground. It is best advisable to have the gazebo built onto a wooden deck or concrete ground for stability. If it is to be build onto a wooden deck/ground, do ensure that the wooden deck/ground has a strong foundation. It is advisable to use appropriate floor plugs (not provided) to anchor the gazebo onto the wooden/concrete ground.
- Some structures may require two or more people to install safely. Check for underground utilities before digging or driving stakes into the ground.
- During installation, follow all safety warnings provided with your tools, and use safety glasses.
- In case you set up more than one gazebo, keep a minimum distance of 10' (3 m) between the gazebos.
- Any assembly or maintenance of the product must be carried out by adults only.
- Arrange necessary manpower when assembling or moving the product.
- Some parts may contain sharp edges. Wear protective gloves if necessary.
- Keep children and pets away while setting up the gazebo.
- Check all nuts and bolts periodically to ensure bolts/nuts are tightened.
- Repairing and replacing parts should be done by a qualified technician.
- This gazebo is intended for decorative and sunshade purposes only, and it is not designed to withstand harsh weather, including high winds, rain, and snow.
- Do not light any fires inside or near the product!
- Stay calm if fire breaks out. Search for the nearest exit. Do not return to the gazebo before firemen allow you to do so.
- Do not hang heavy weights on the roof frame.
- Do not climb onto the roof of the gazebo. Falling off the gazebo can result in serious injury.
- Retain the original packaging to store the gazebo.

IMPORTANT:

- Please read and understand this manual before any assembly. Before beginning assembly of product, make sure all parts are present. Compare parts with packaging contents list.
- If any part is missing, or if you have any questions, contact the service centre at 1-(866)-578-6569 (toll free).
- **When assembling wooden parts, do not overtorque the bolts to avoid splitting the wood. See image illustration.**
- Place all parts from the box in a cleared area and position them on the floor in front of you.
- Remove all packing materials and place them back into the box. Do not dispose of the packing materials until assembly is complete.
- Read each step carefully before beginning any assembly and make sure you understand each step. If you are missing a part, please call our toll-free number for assistance 1-(866)-578-6569.
- Needed for assembly: (The following tools are not included)

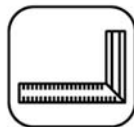


This identifies information that requires special attention. Improper assembly could lead to an unsafe or dangerous condition.



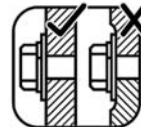
Use Level

Check that set or assembly is properly level before proceeding.



Square Assembly

Check that assembly is square before tightening bolts.

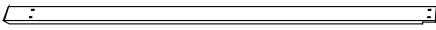
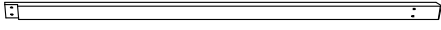
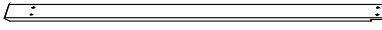


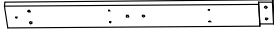



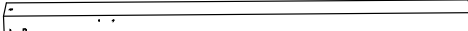




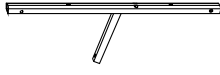
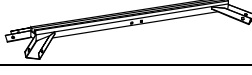



Tighten Bolts

Do not overtorque mounting bolts. Over-tightening may cause the wood to crack creating splinters and other structural damage.





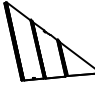

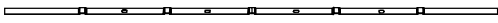
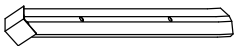

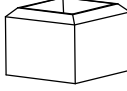
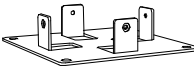

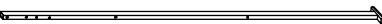
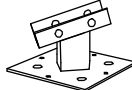
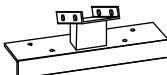








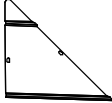
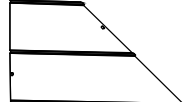

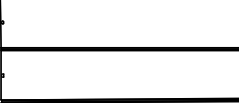

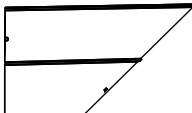
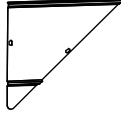
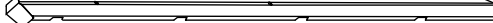


Measure Distance



Parts List				
Label	Part Number	Description	Qty	Part Image
09	P000400822	Outer Long Left Beam	2	
10	P000400824	Outer Long Right Beam	2	
04	P000400823	Outer Short Left Beam	2	
05	P000400825	Outer Short Right Beam	2	
06	P000400826	Inner Middle Beam	4	
12	P000400827	Inner Long Beam	4	
08	P000400828	Inner Short Beam	4	
02	P005000382	Arc Support 1	4	
03	P005000383	Arc Support 2	4	
01	P000200424	Post	4	
A1	P000601239	Small Top Beam 1	2	
A2	P000601237	Small Top Beam 2	4	
B1	P000501077	Big Top Bar 1	2	
B2	P000501078	Big Top Bar 2	2	
C	P000601238	Small Roof Slanting Beam	4	
D	P000501076	Small Roof Connector	1	
E	P005800001	Hook	1	

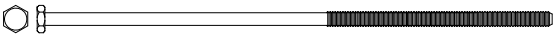
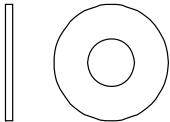
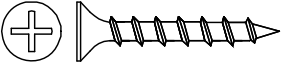
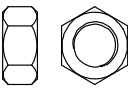
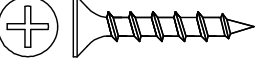
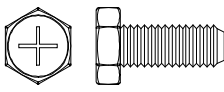
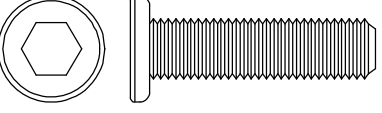
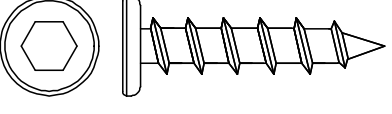
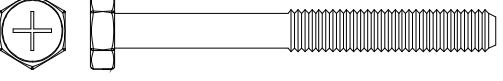
Country of Origin: China

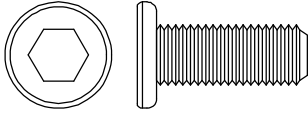
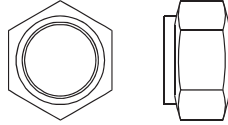
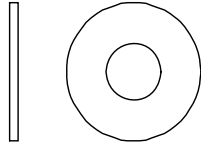
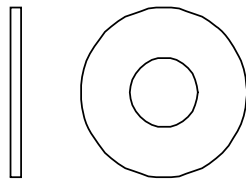
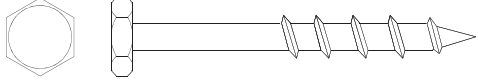
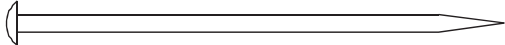
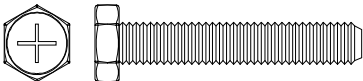





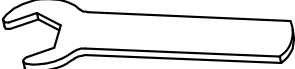
Production Number: XXXXXXXXXX

F1	P000601240	Small Top Short Pipe	2	
F2	P000601241	Small Top Long Pipe 1	2	
F3	P000601242	Small Top Long Pipe 2	2	
G1	P000700548	Short Side Left Roof Panel	4	
G2	P000700549	Short Side Right Roof Panel	4	
H	P000700547	Short Side Roof Panel	2	
I	P002200195	Depression Bar	8	
J	P000800220	Small Roof Slanting Beam Cover	4	
K	P000900091	Small Roof Top Cover	1	
L1	P006100156	Base Cover	4	
L2	P000100301	Base	4	
M	P000601243	Big Roof Slanting Beam	4	
N	P000601244	Big Roof Middle Beam	4	
O	P000501079	Slanting Beam Connector	4	
P	P000501080	Middle Beam Connector	4	
Q1	P000601250	Big Top Short Beam	4	

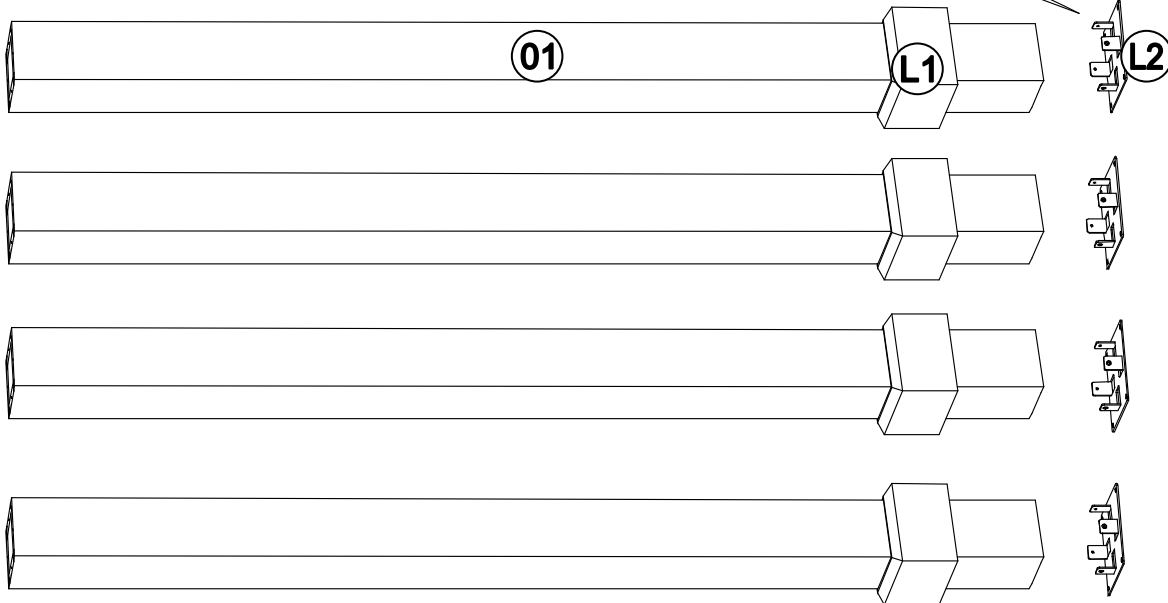
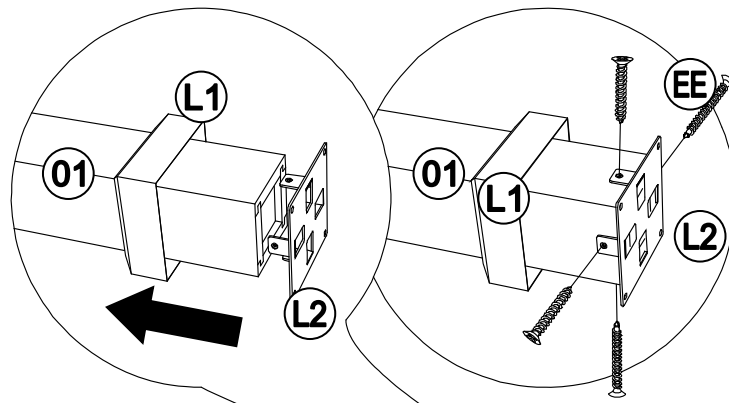
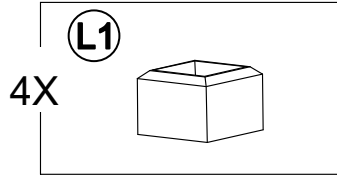
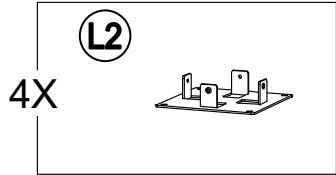
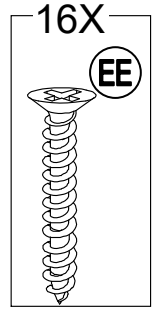
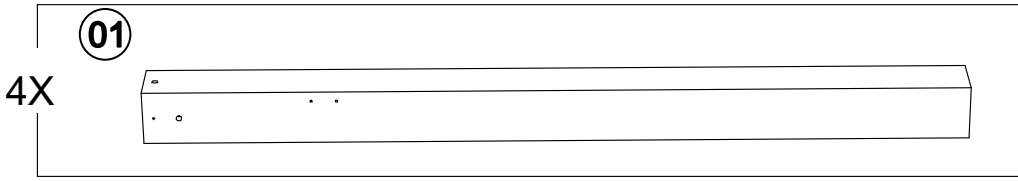
Q2	P000601247	Big Top Short Pipe 1	2	
Q3	P000601248	Big Top Short Pipe 2	2	
R1	P000601249	Big Top Long Beam	4	
R2	P000601245	Big Top Long Pipe 1	2	
R3	P000601246	Big Top Long Pipe 2	2	
S1	P000700550	Big Roof Left Small Panel	4	
S2	P000700555	Big Roof Left Middle Panel	4	
S3	P000700553	Big Roof Left Big Panel	4	
S4	P000700552	Big Roof Long Big Panel	2	
S5	P000700554	Big Roof Right Big Panel	4	
S6	P000700556	Big Roof Right Middle Panel	4	
S7	P000700551	Big Roof Right Small Panel	4	
T	P000800221	Top Slanting Bar	4	
U1	P005700609	Left Netting Pipe (Sort Side)	2	
U2	P005700610	Right Netting Pipe (Sort Side)	4	

V1	P005700607	Left Netting Pipe (Long Side)	2	
V2	P005700608	Right Netting Pipe (Long Side)	2	

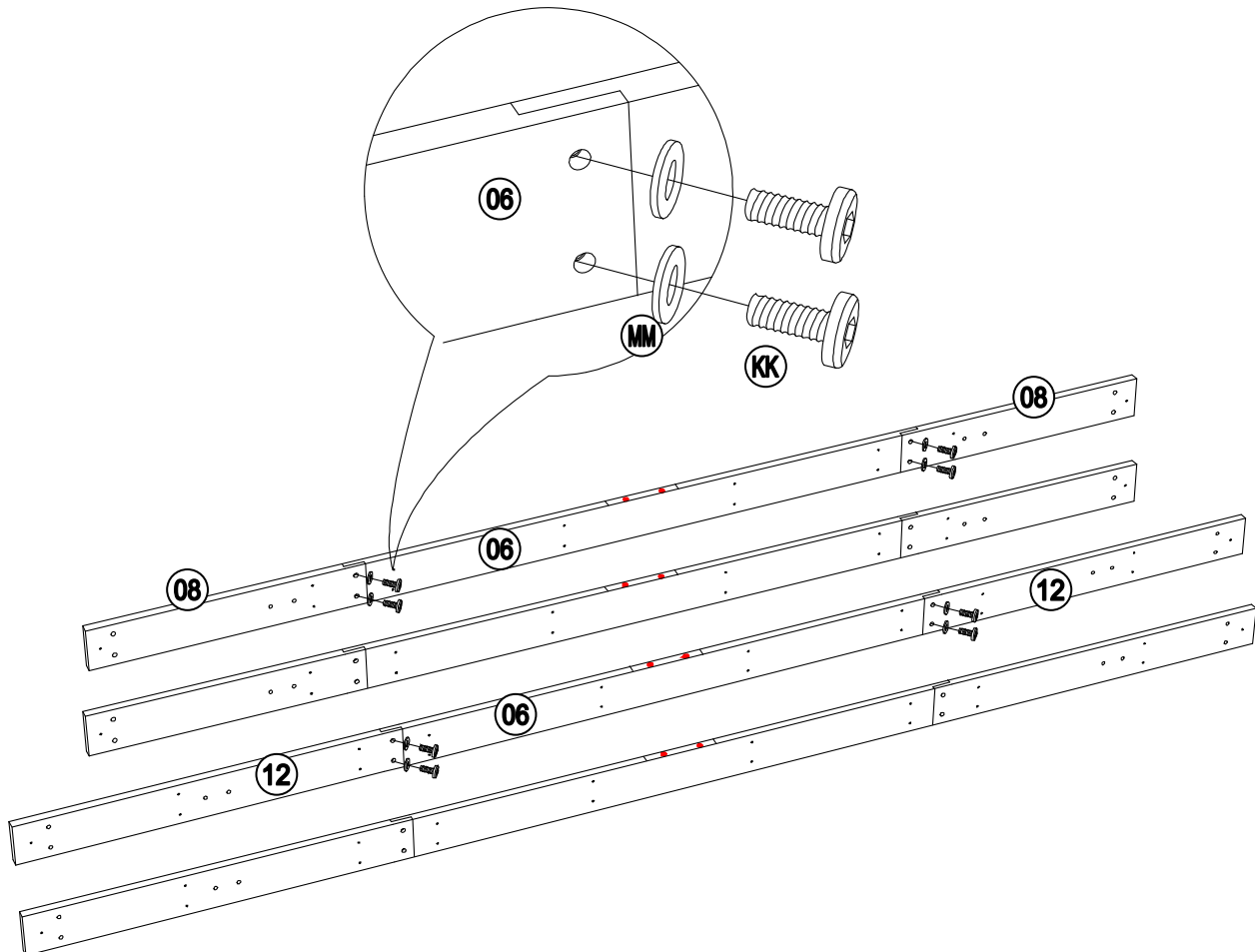
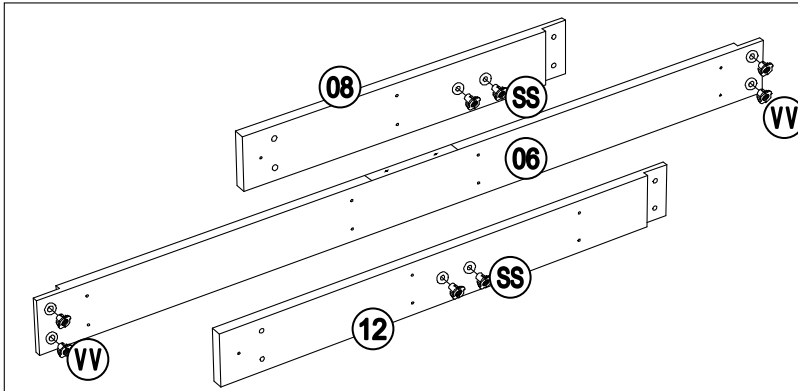
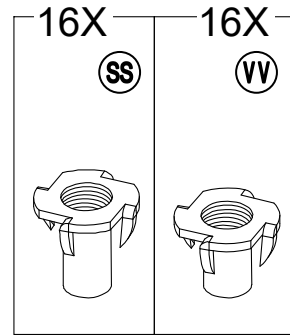
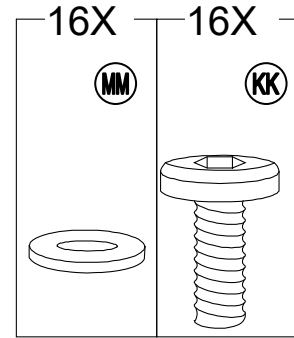
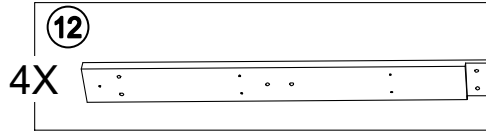
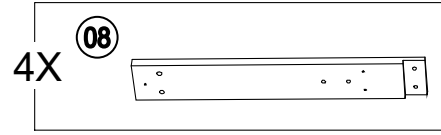
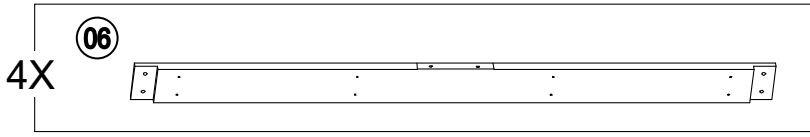
Hardware Pack					
Label	Part Number	Description	Qty	Add	Part Image
AA	H01200E31	Bolt M10*200	8	1	
BB	H19001C11	Flat Washer M6	196	10	
CC	H11035B31	Screw M5*35	64	4	
DD	H14001C11	Nut M6	8	1	
EE	H11025B31	Screw M5*25	64	4	
FF	H02015C11	Bolt M6*15	178	9	
HH	H06035D31	Bolt M8*35	16	2	
II	H08035D31	Bolt M8*35	16	1	
JJ	H02055C11	Bolt M6*55	18	1	

KK	H06020D31	Bolt M8*20	24	2	
LL	H22001E31	Non-slip Nuts M10	8	1	
MM	H19001D31	Flat Washer M8	56	3	
NN	H19001E31	Flat Washer M10	24	2	
OO	H03080E31	Screw M10*80	8	1	
PP	P12401A01001	Stake Φ8*180	8	0	
QQ	H02035C11	Bolt M6*35	8	1	
RR	H26000N20	M3 Drill	2	0	
SS	H39020D31	T-Nut M8*20	16	1	
VV	H39008D31	T-Nut M8*8	24	2	
Z1	H00001C12	Wrench M6	2	0	
Z2	H00002D12	Allen Key M8	1	0	
Z4	H00001E12	Wrench M10	2	0	

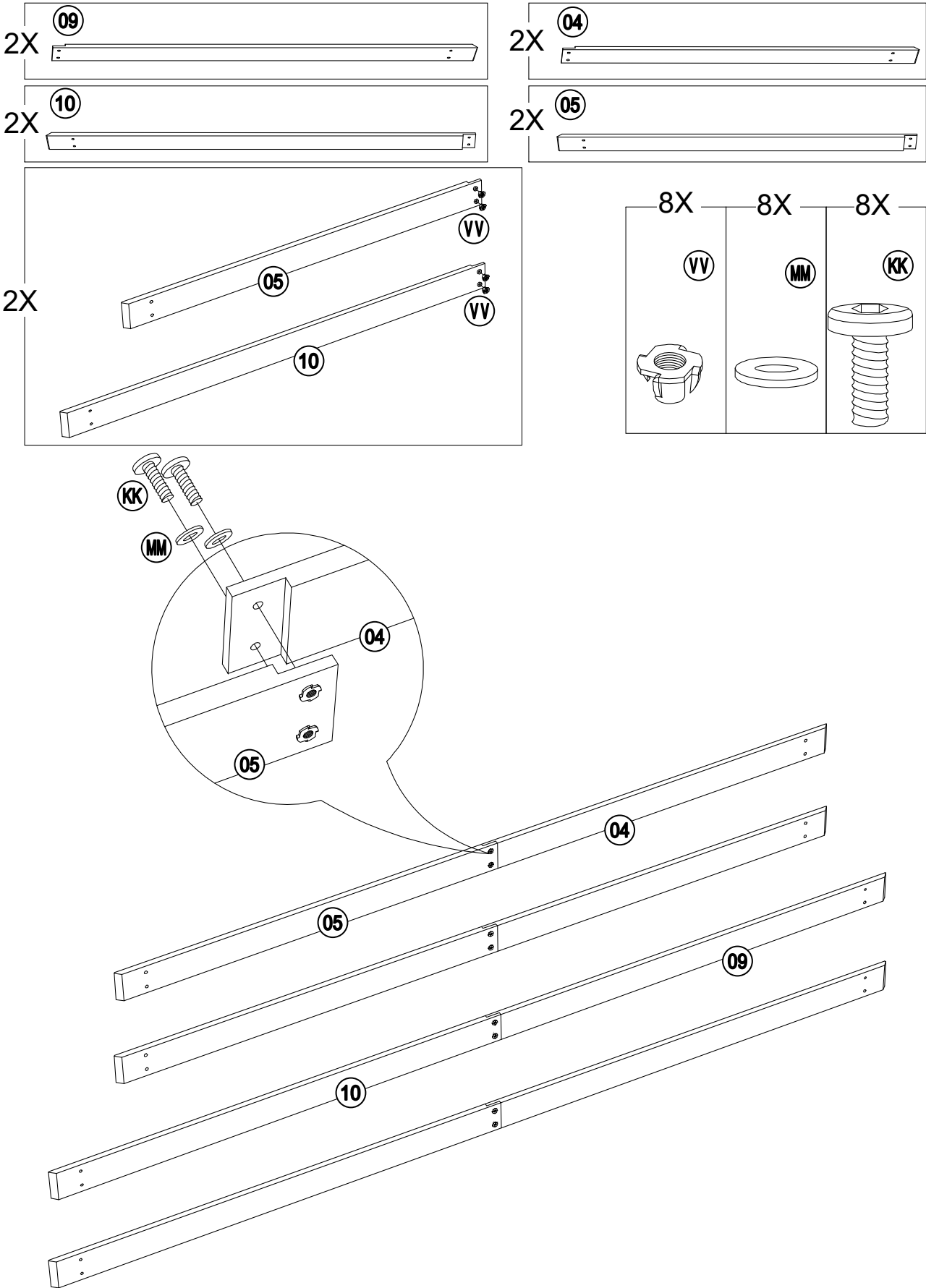
1



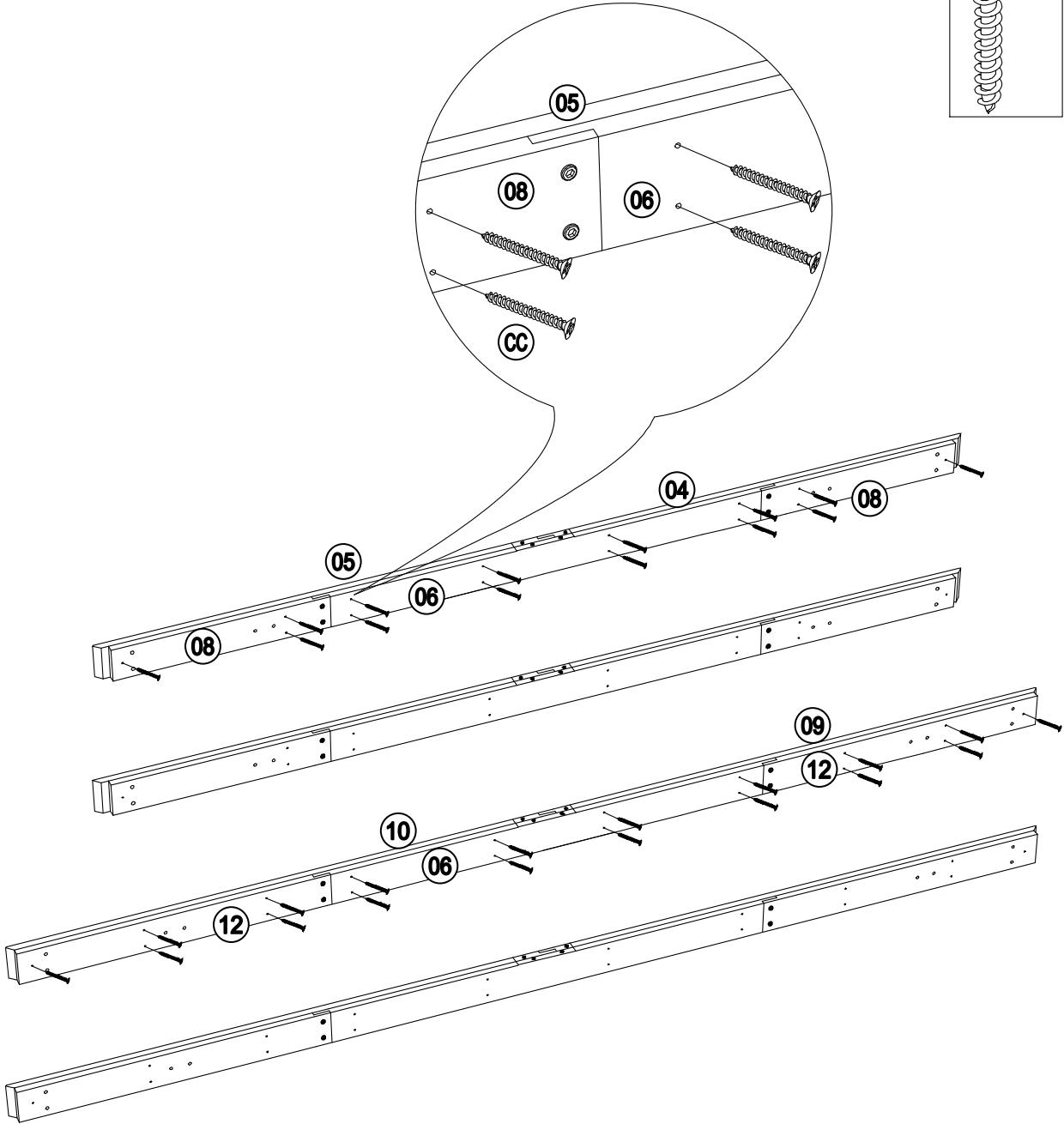
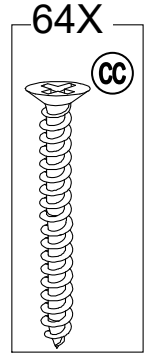
2



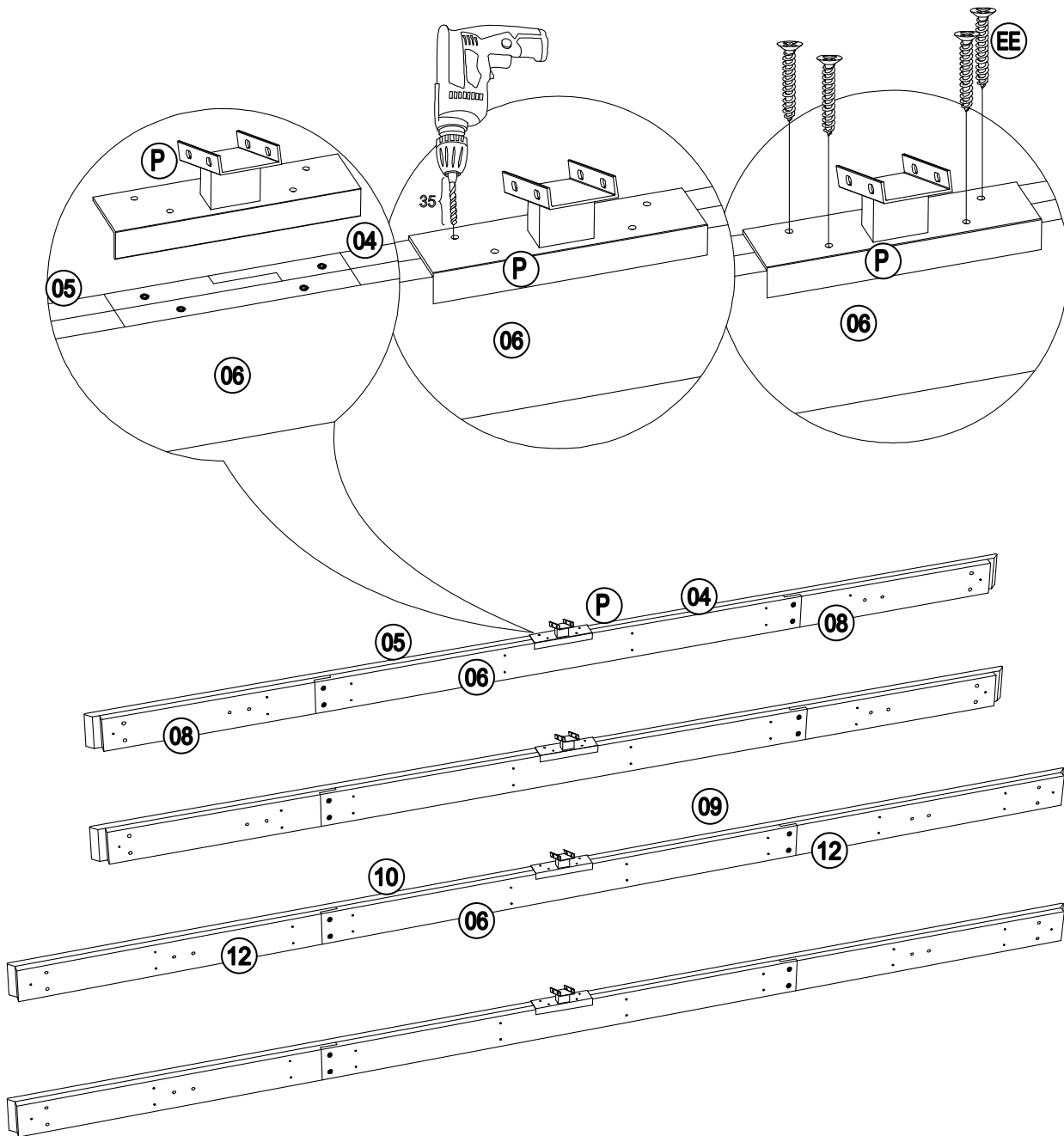
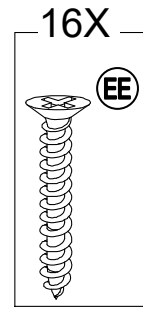
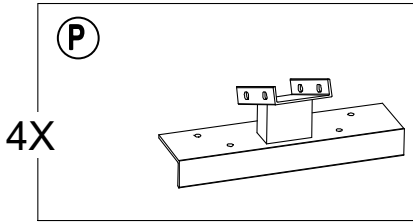
3



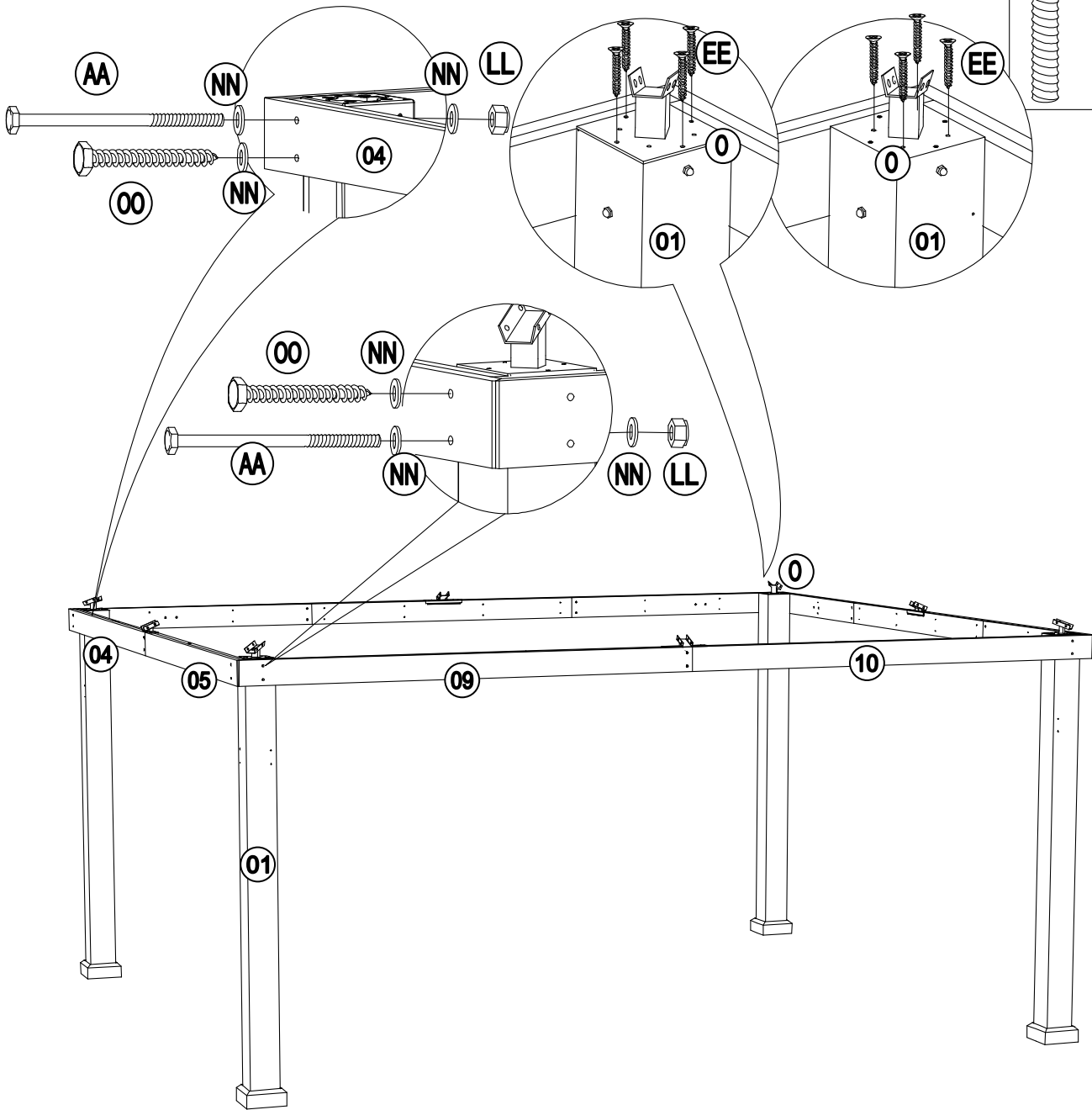
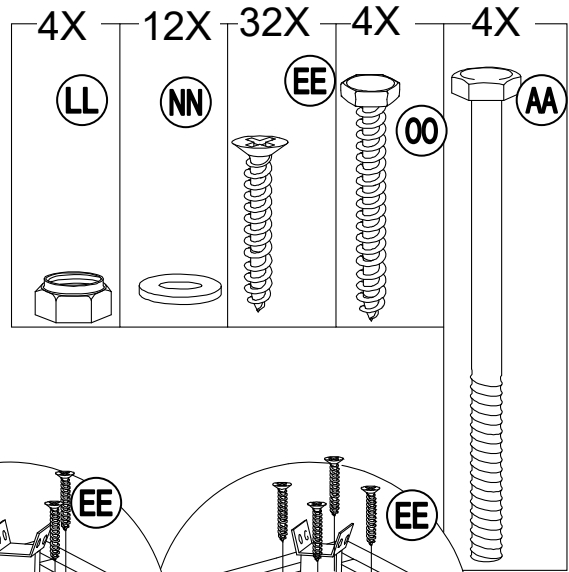
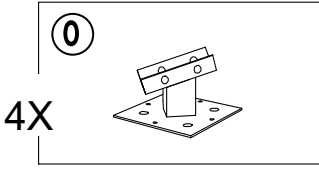
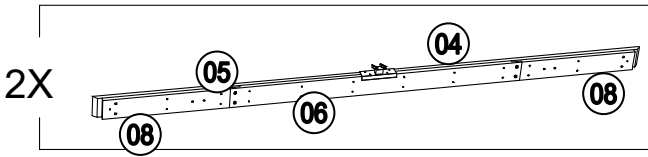
4



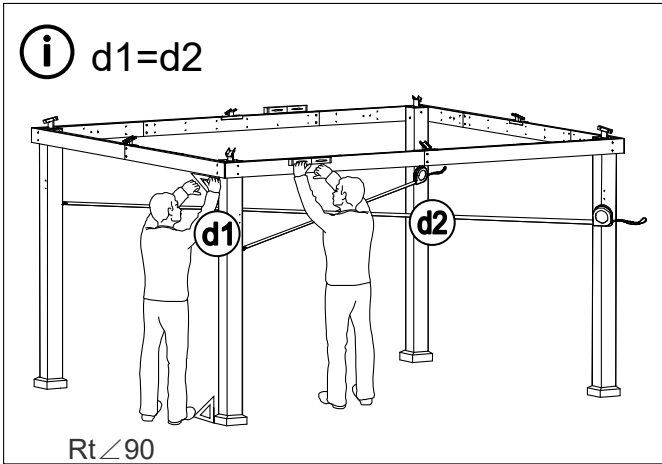
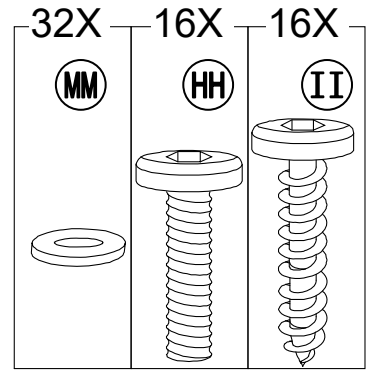
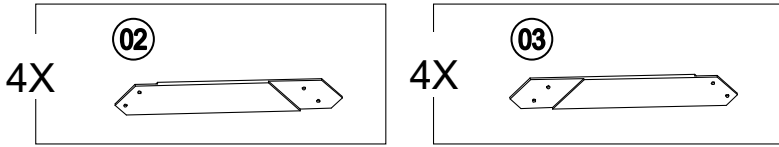
5



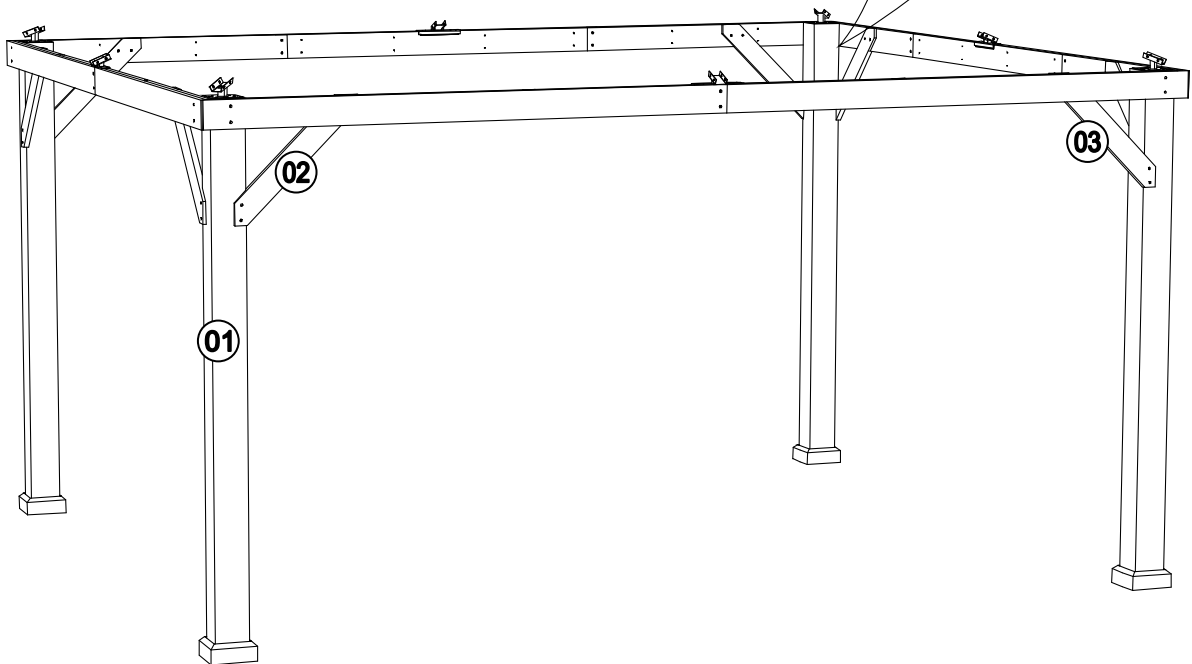
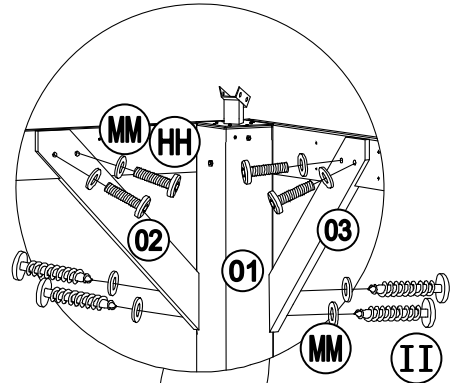
7



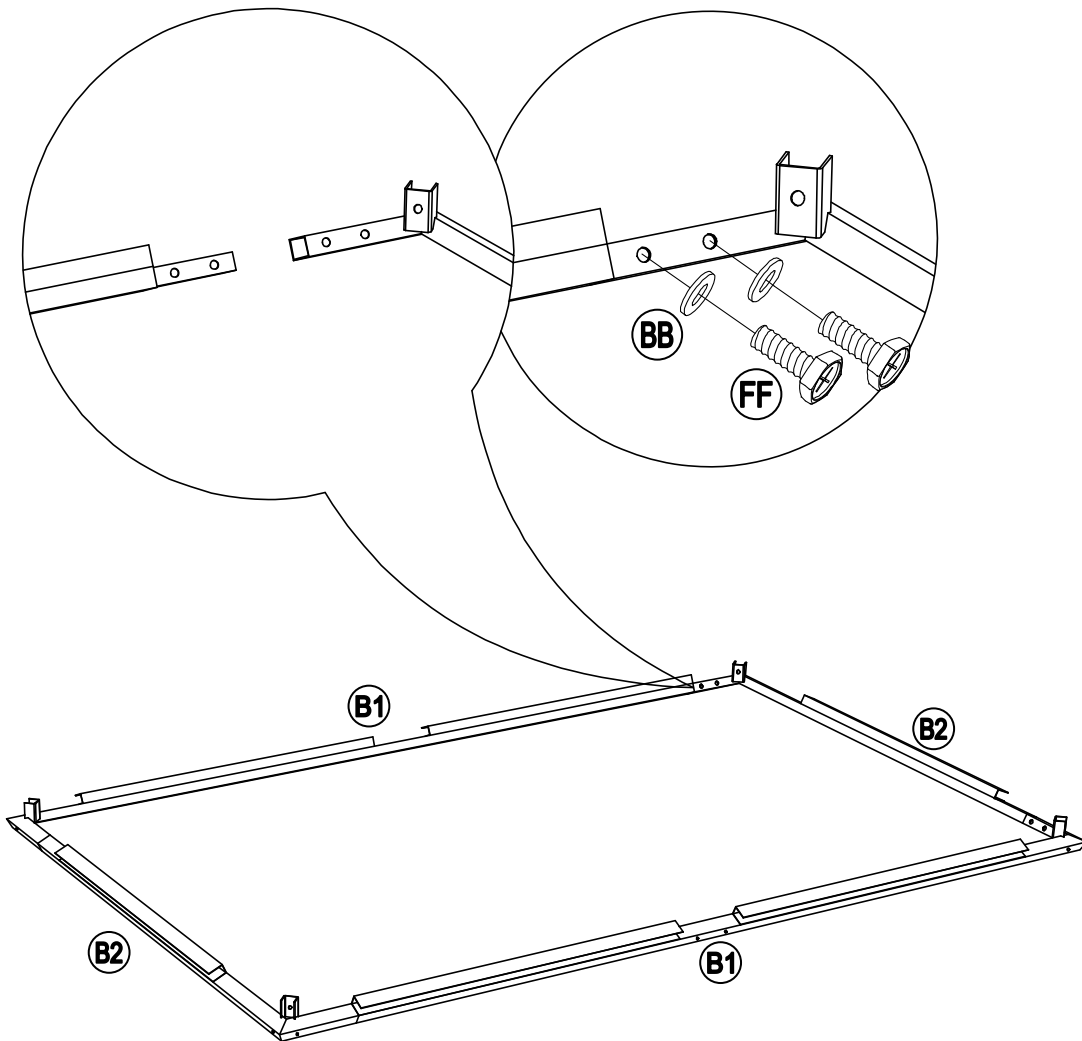
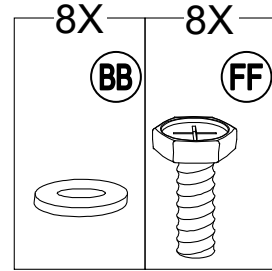
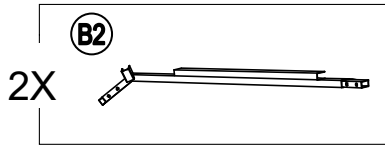
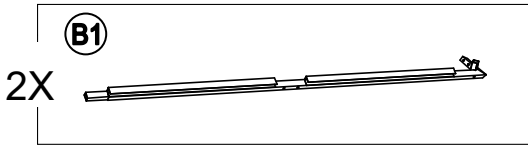
8



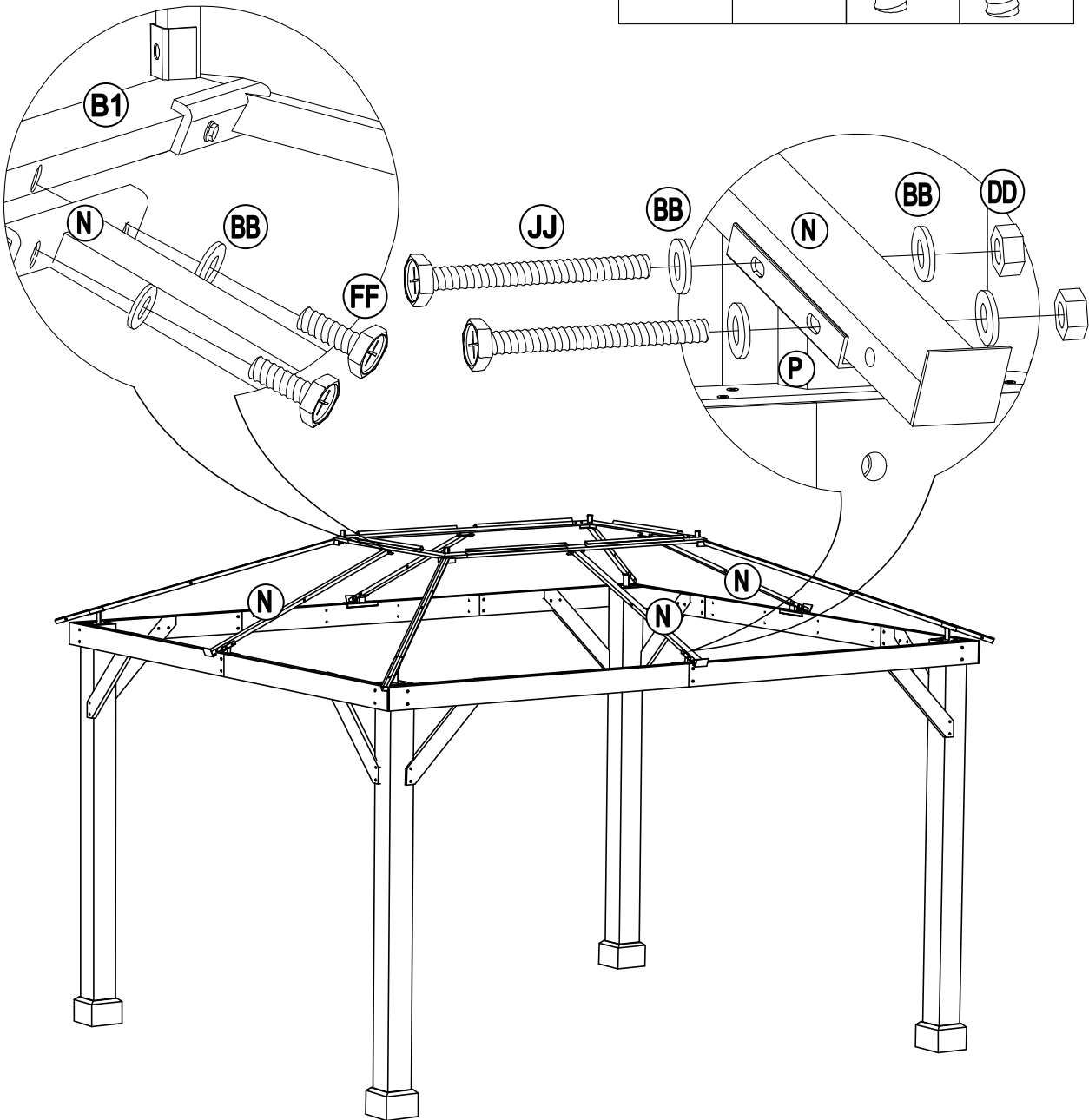
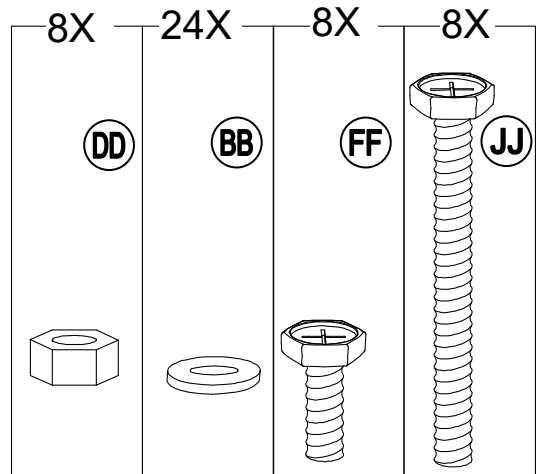
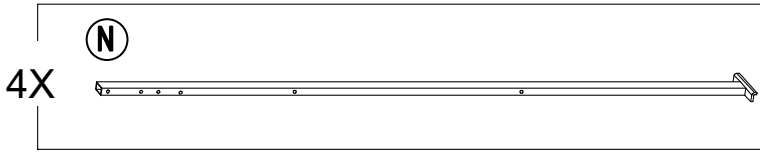
Assembly Tip on Step 8:
 Please measure to make sure the length of d1 is equal to d2 before moving to next step to ensure a square frame and best results. Keep the beam at right angles to the post, the post at right angles to the ground, and keep the beam horizontal.



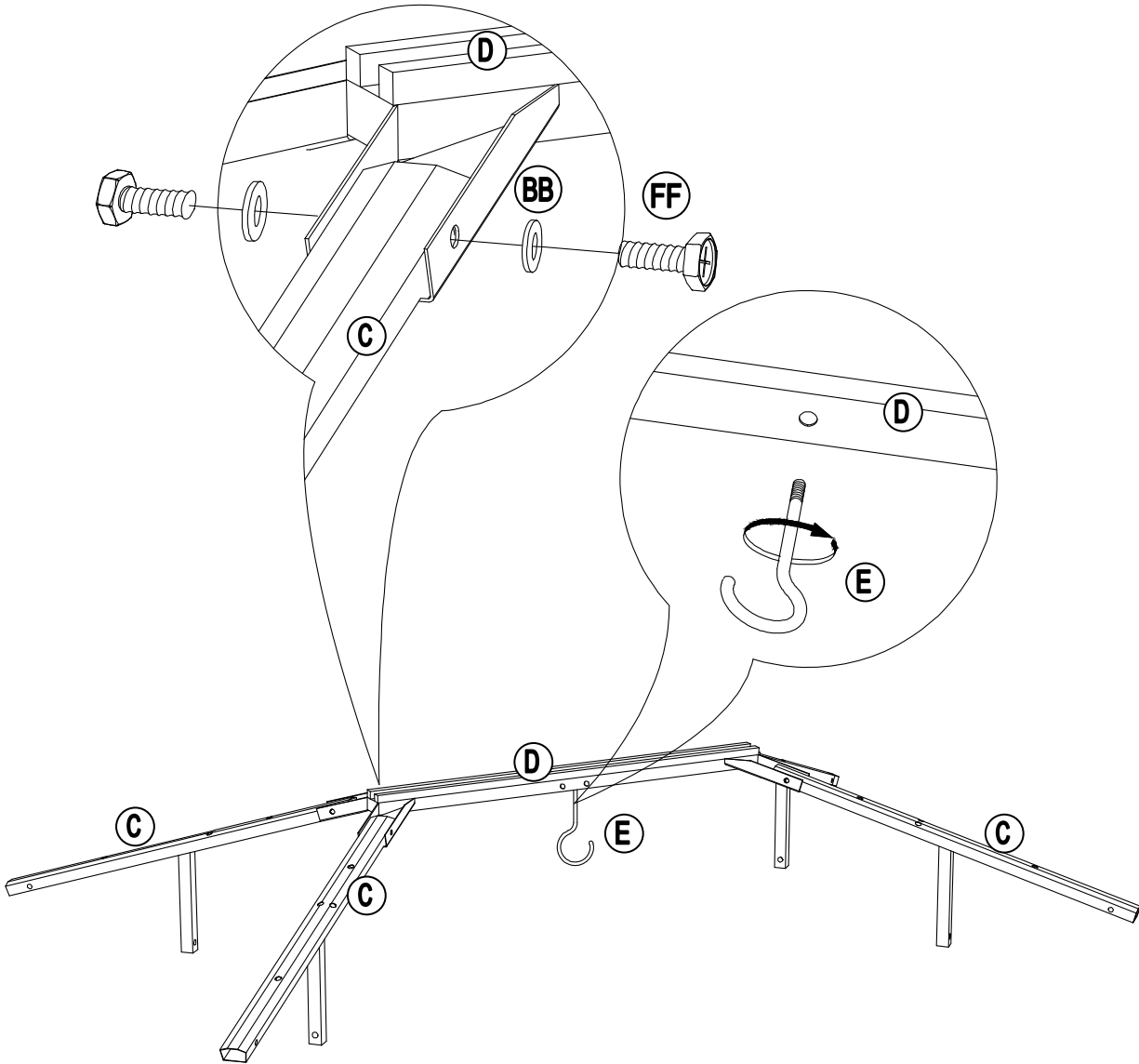
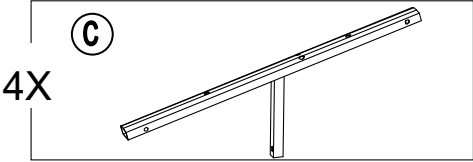
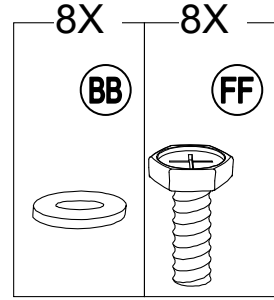
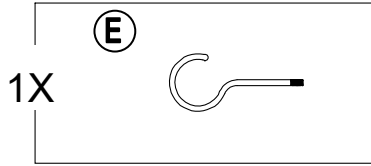
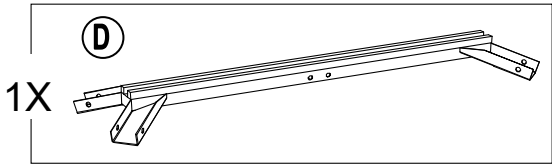
9



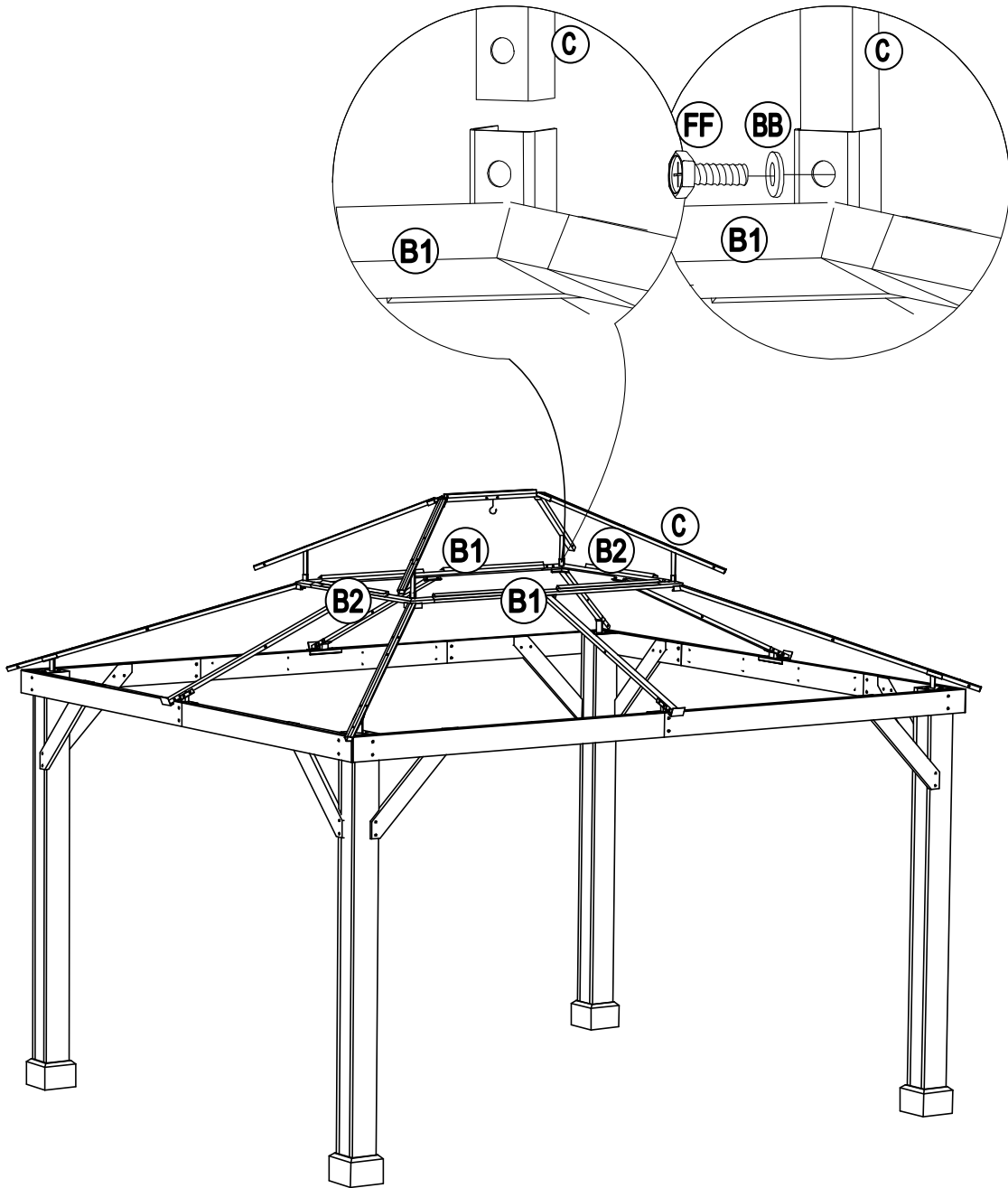
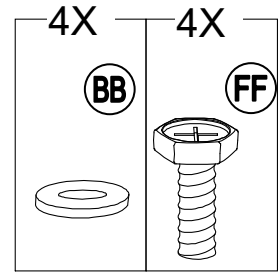
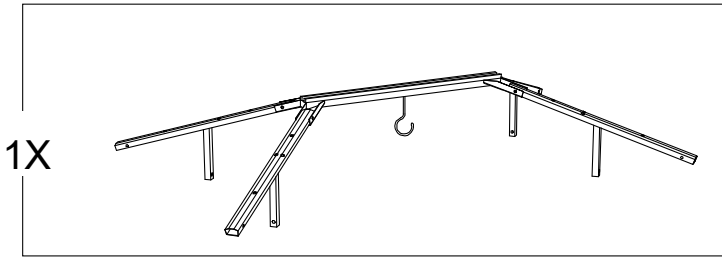
11



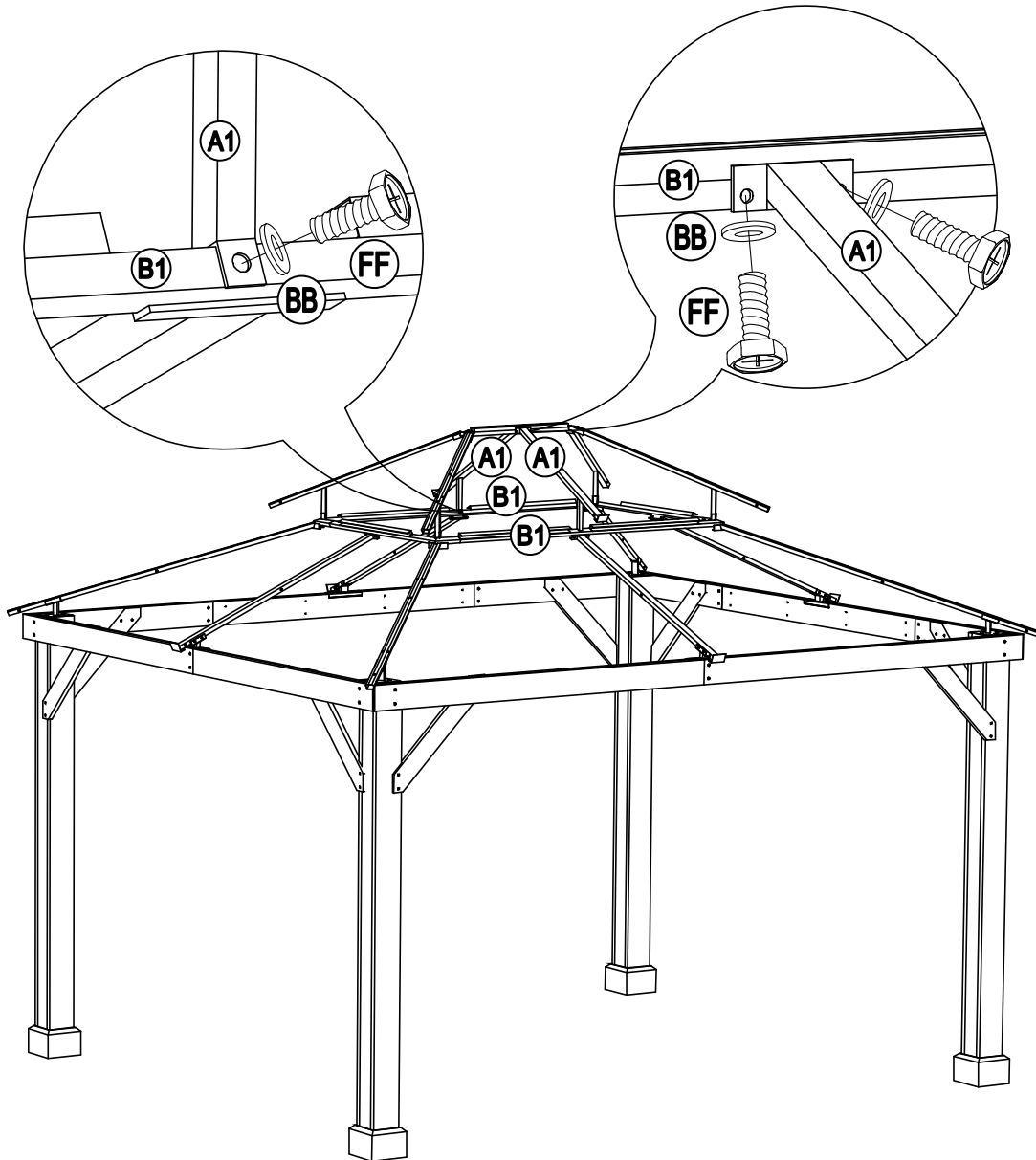
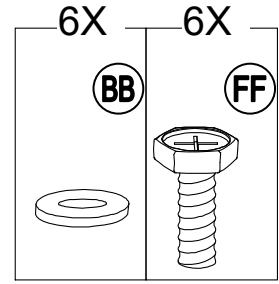
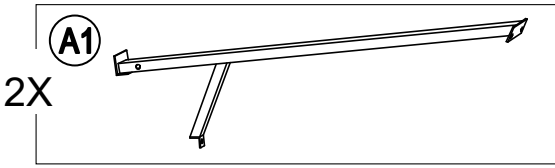
12



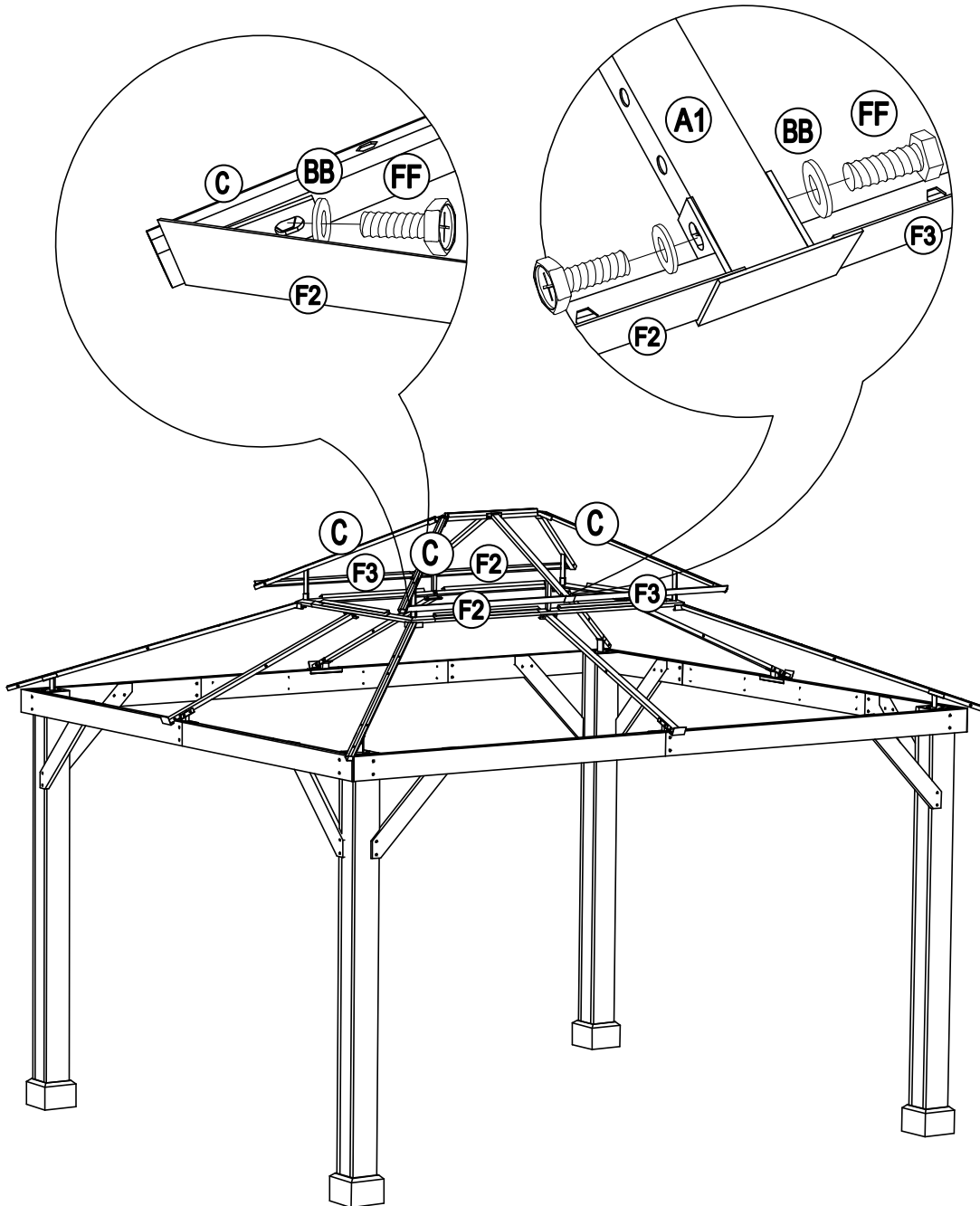
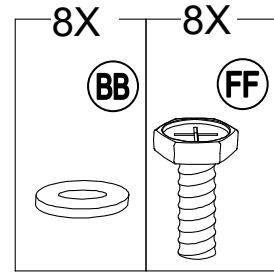
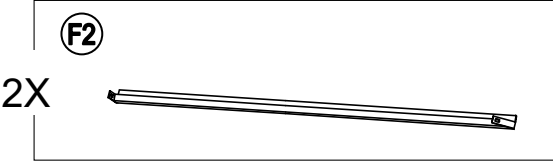
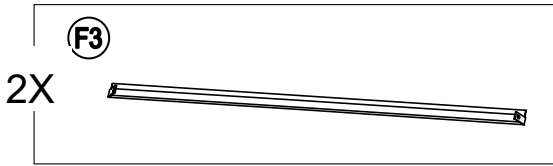
13



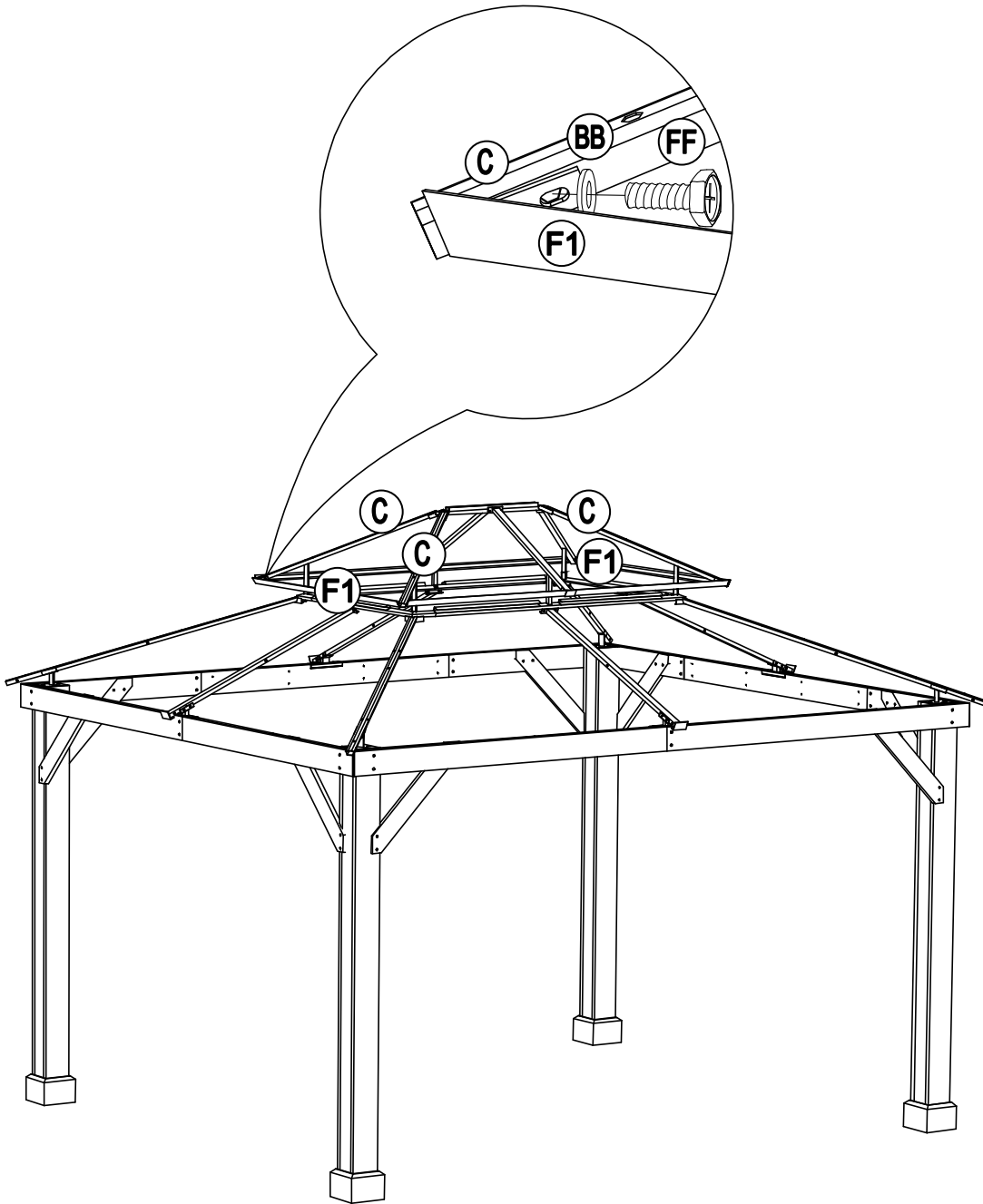
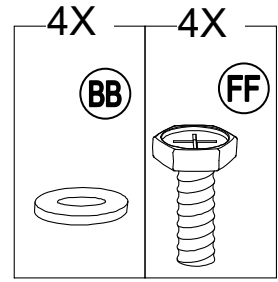
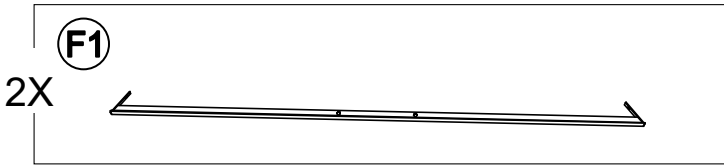
14



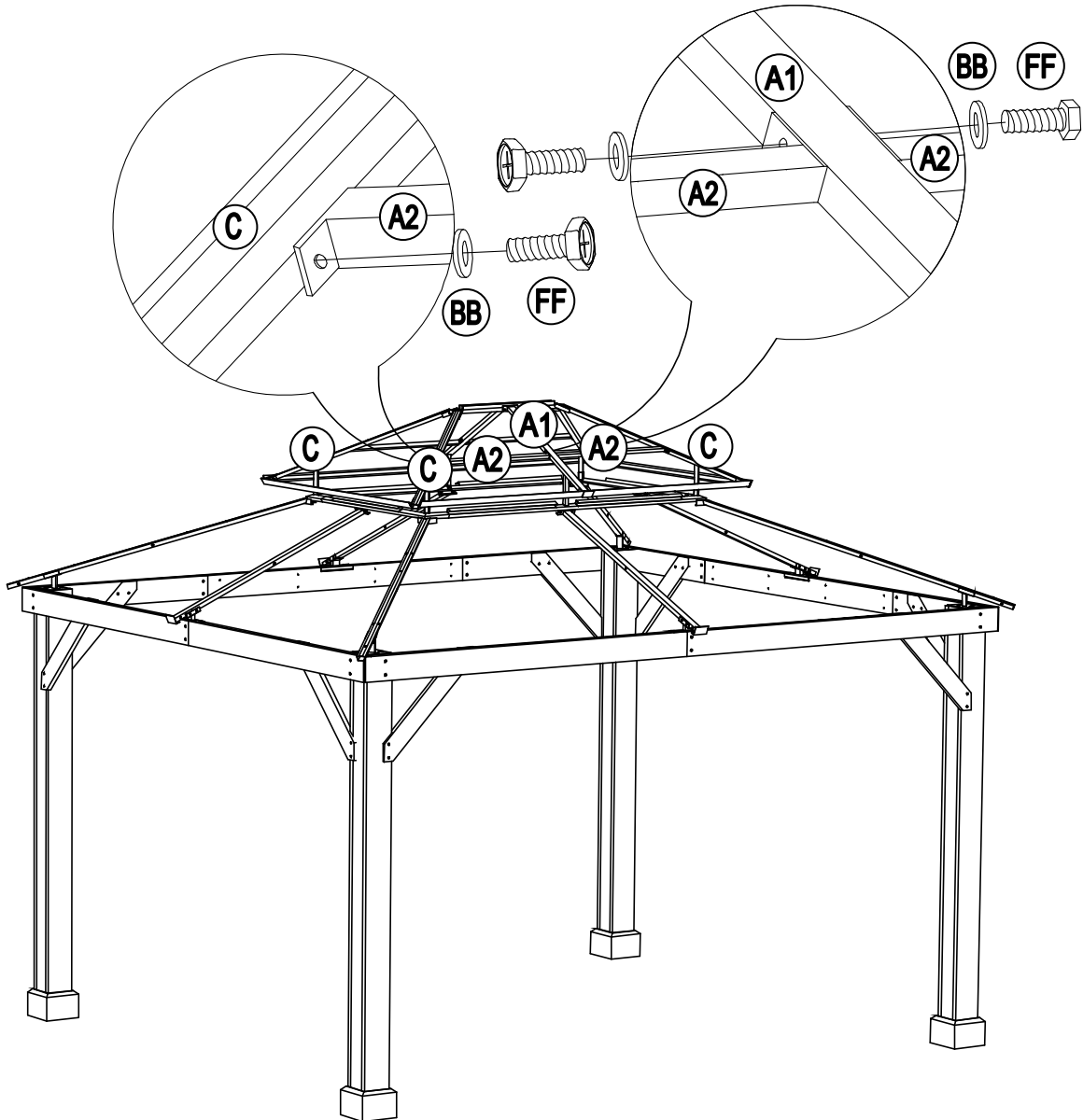
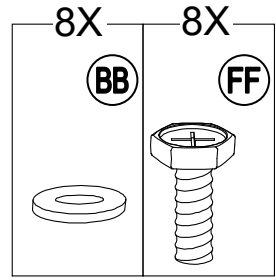
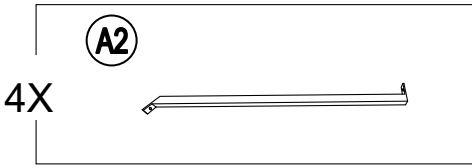
15



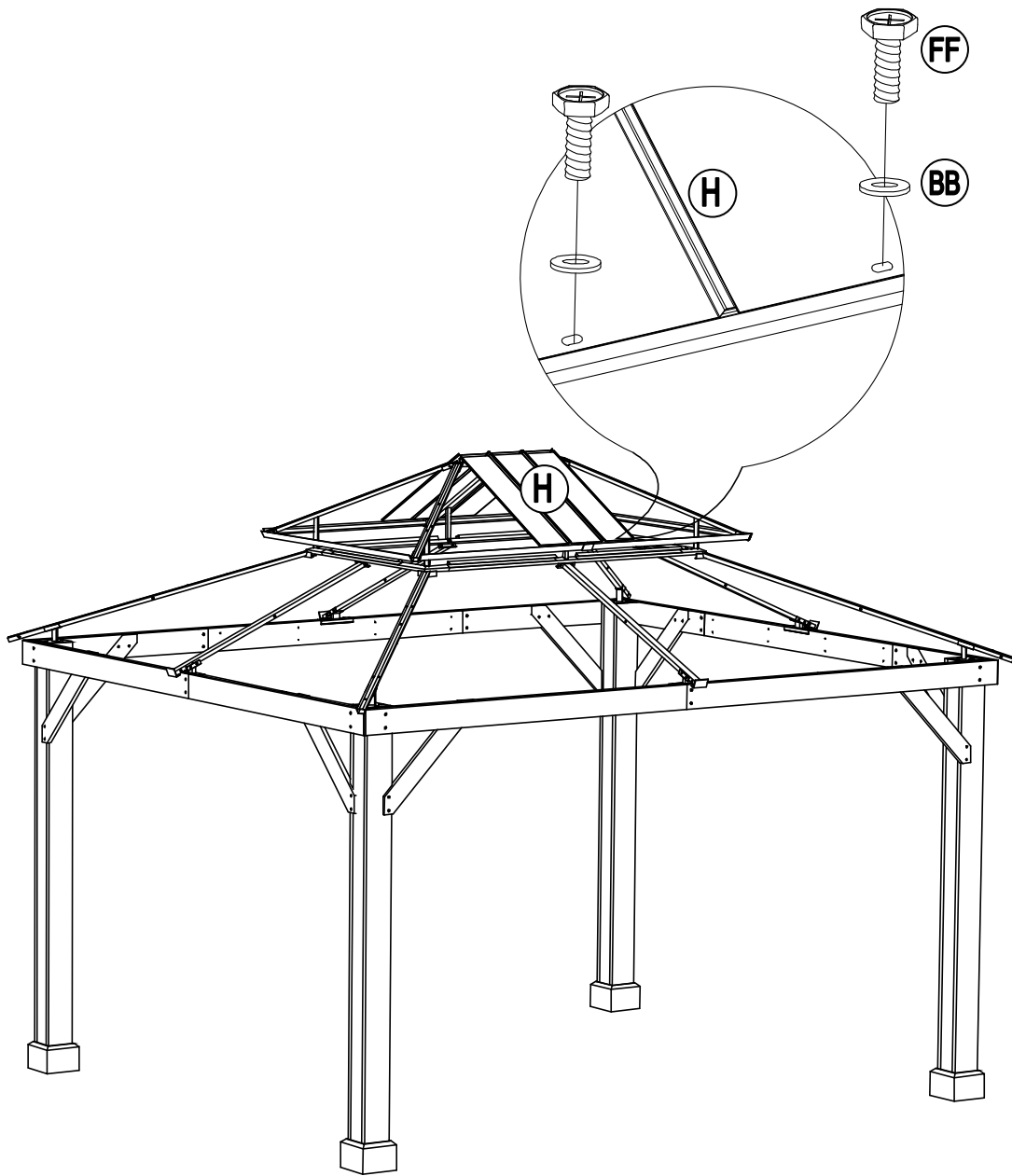
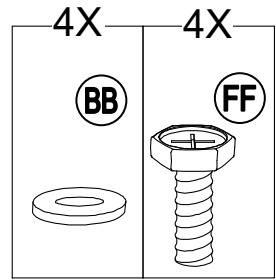
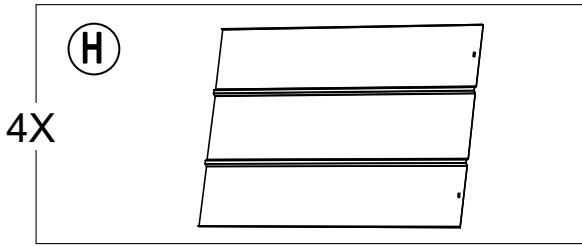
16



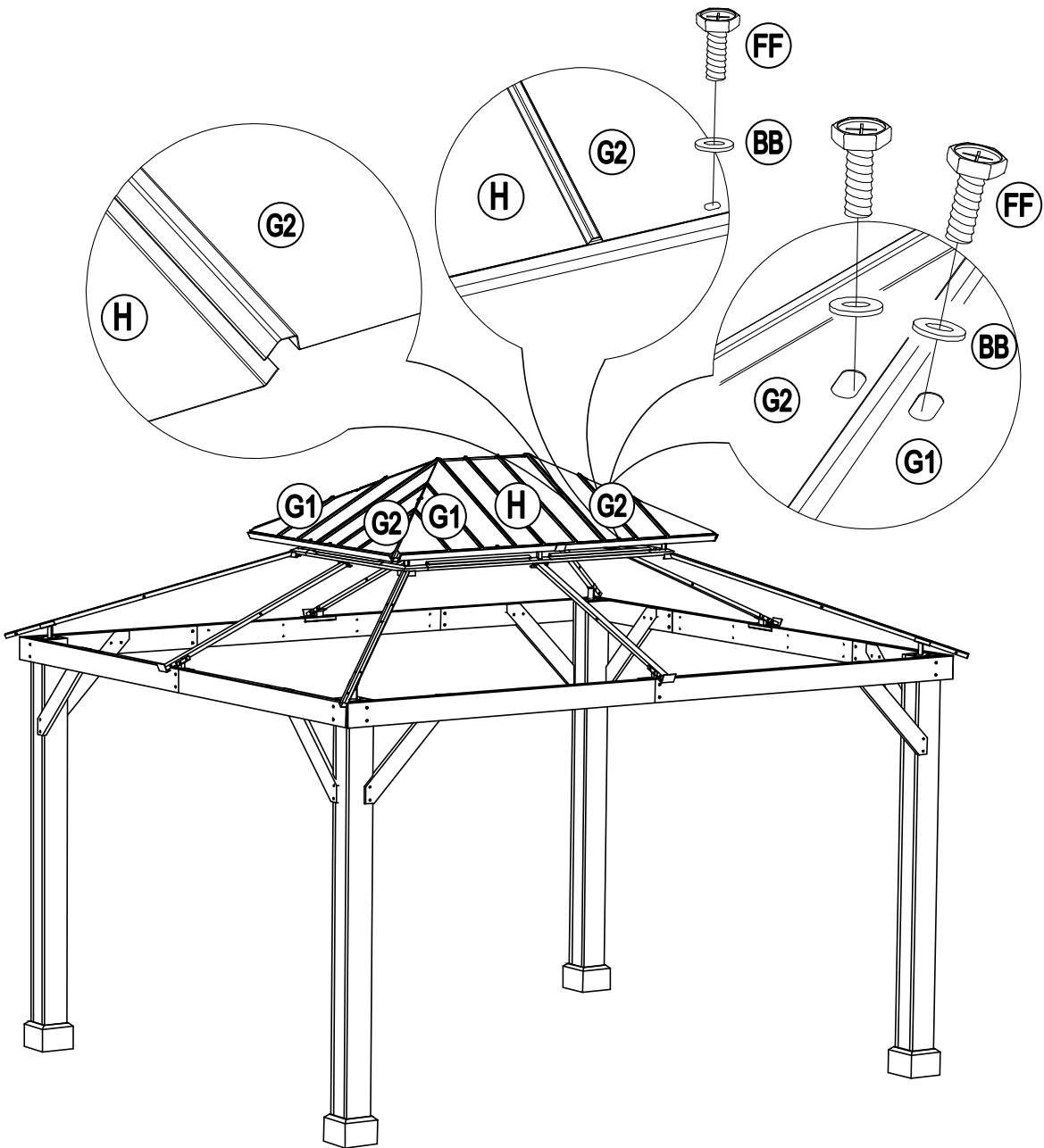
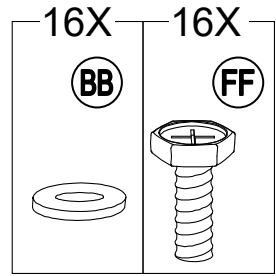
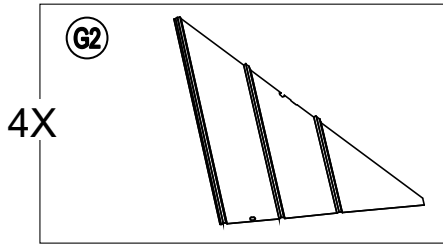
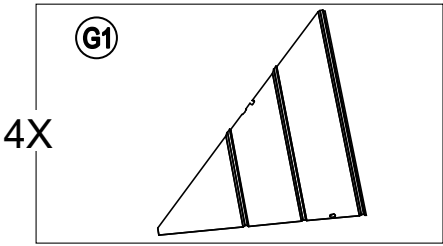
17



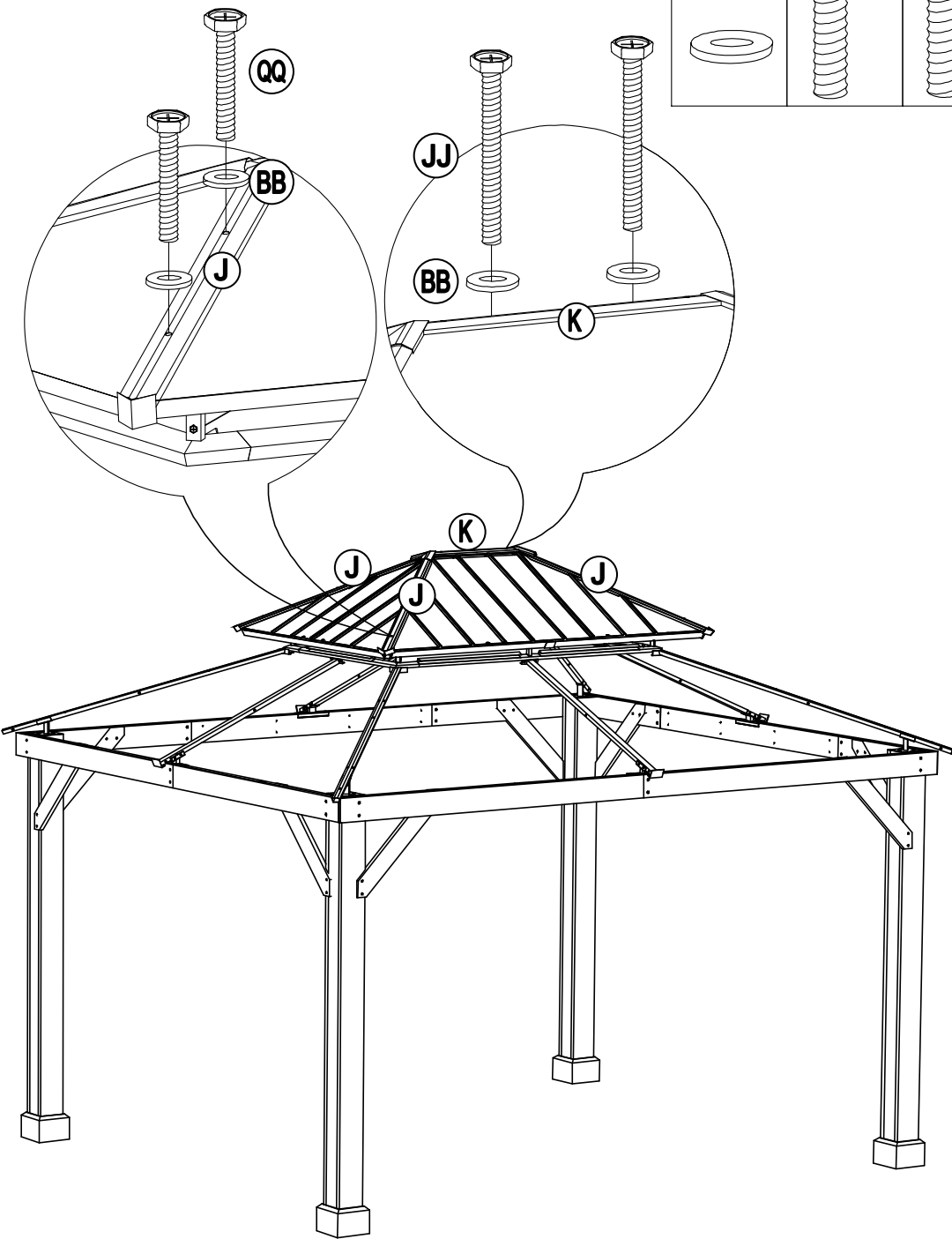
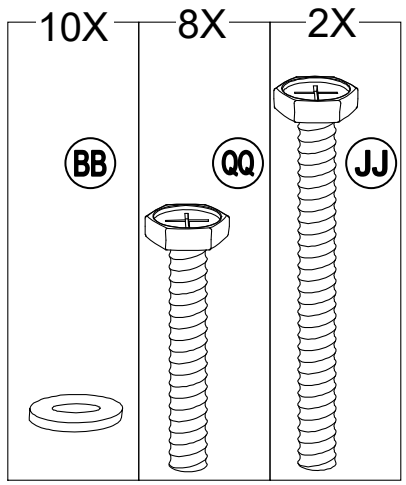
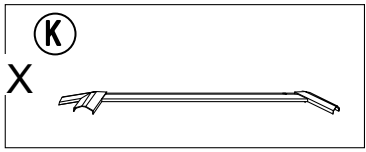
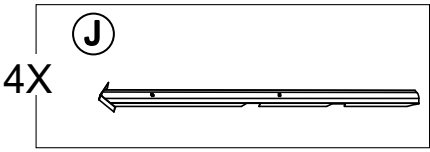
18



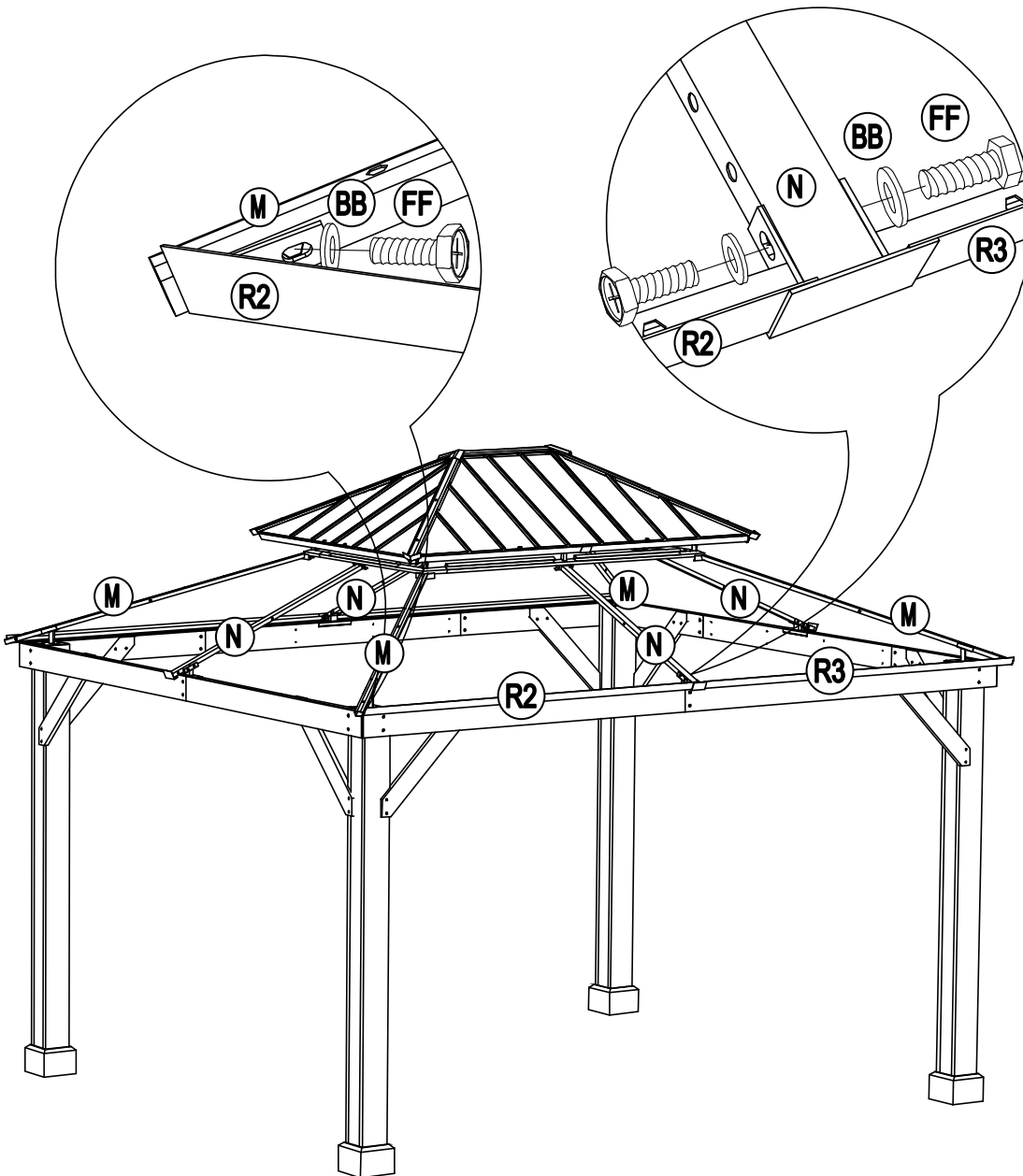
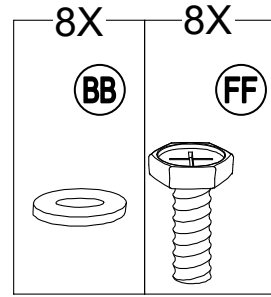
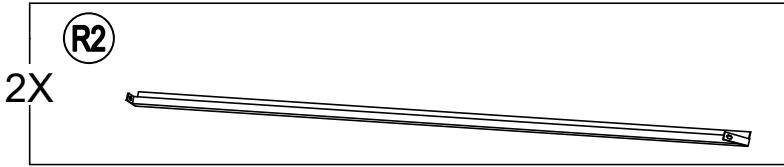
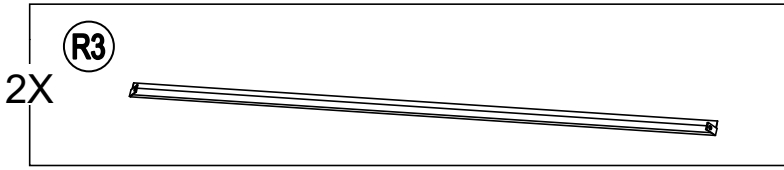
19



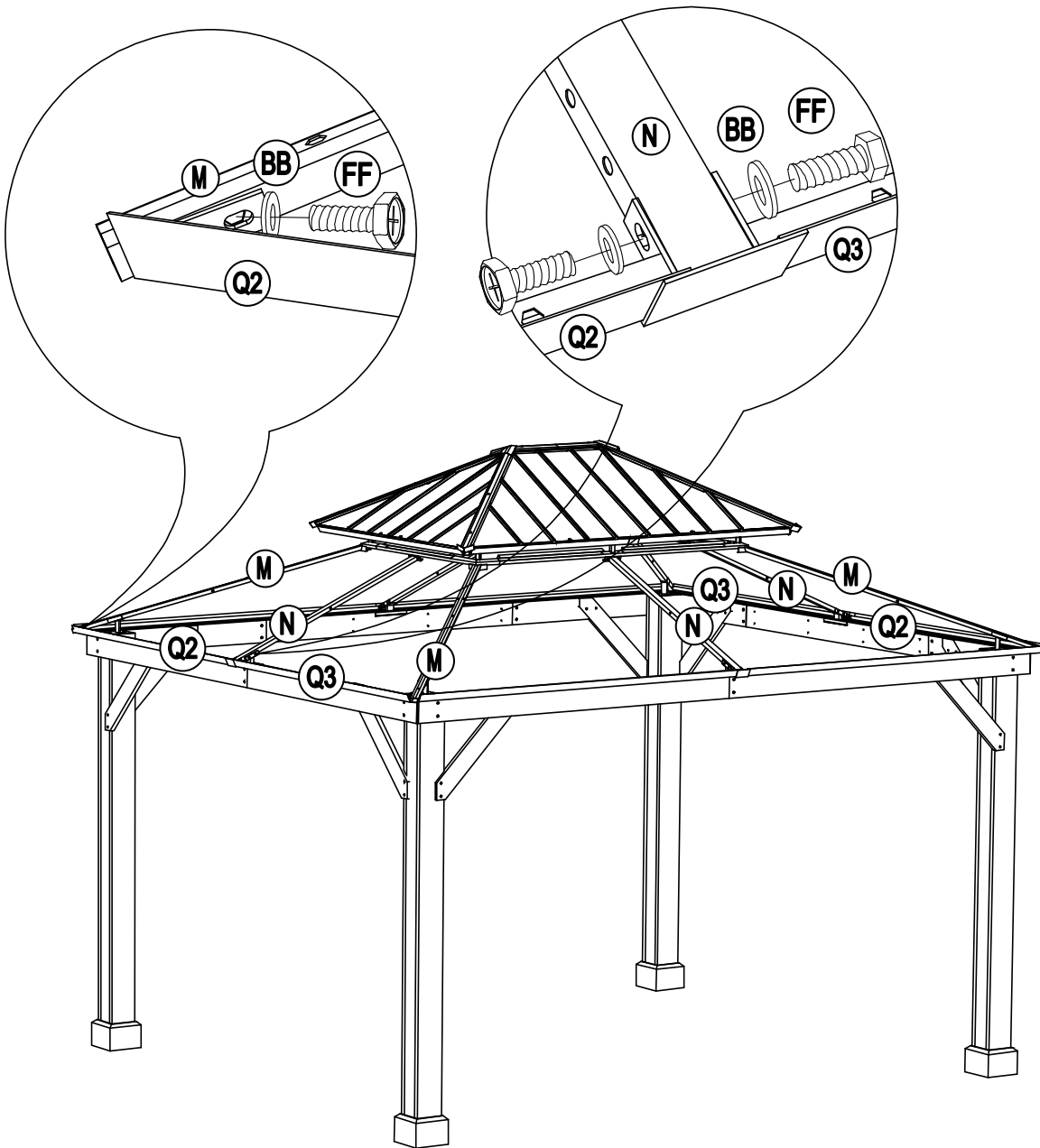
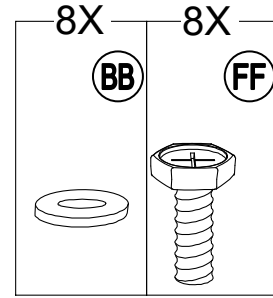
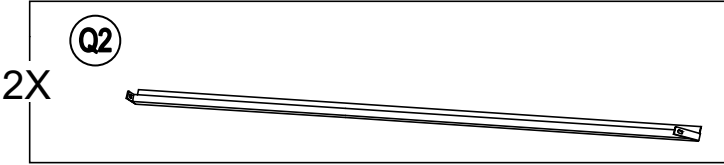
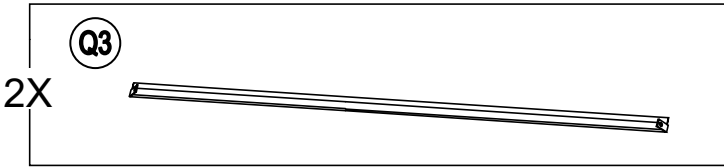
20



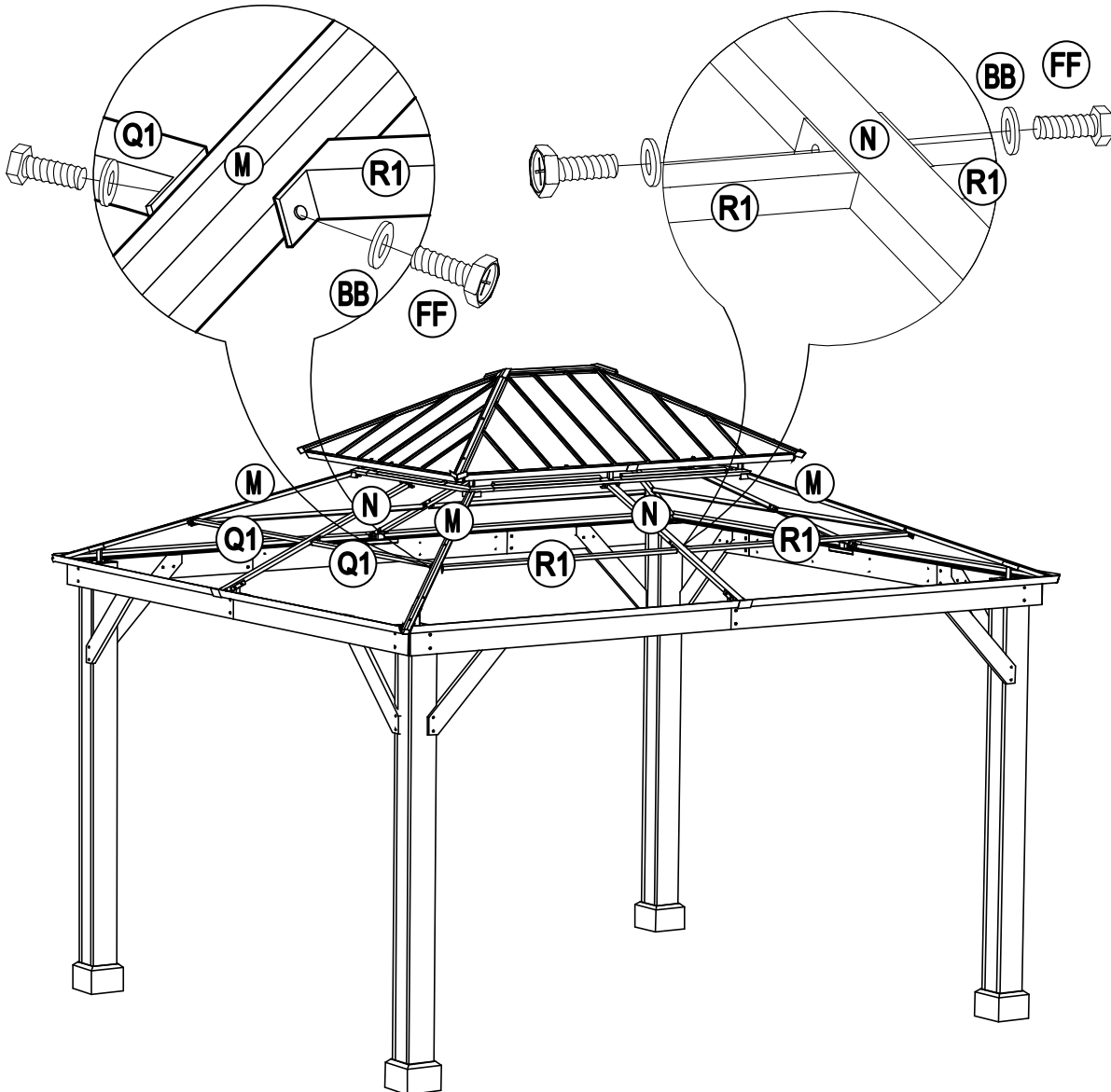
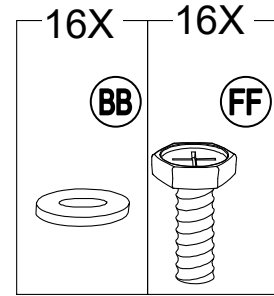
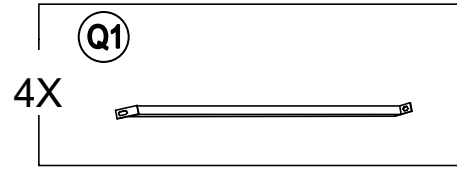
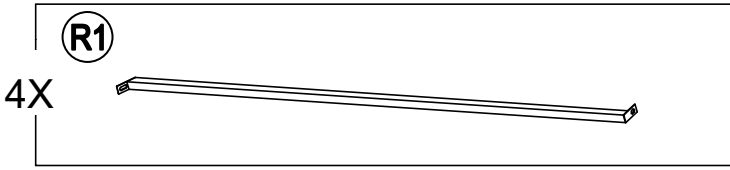
21



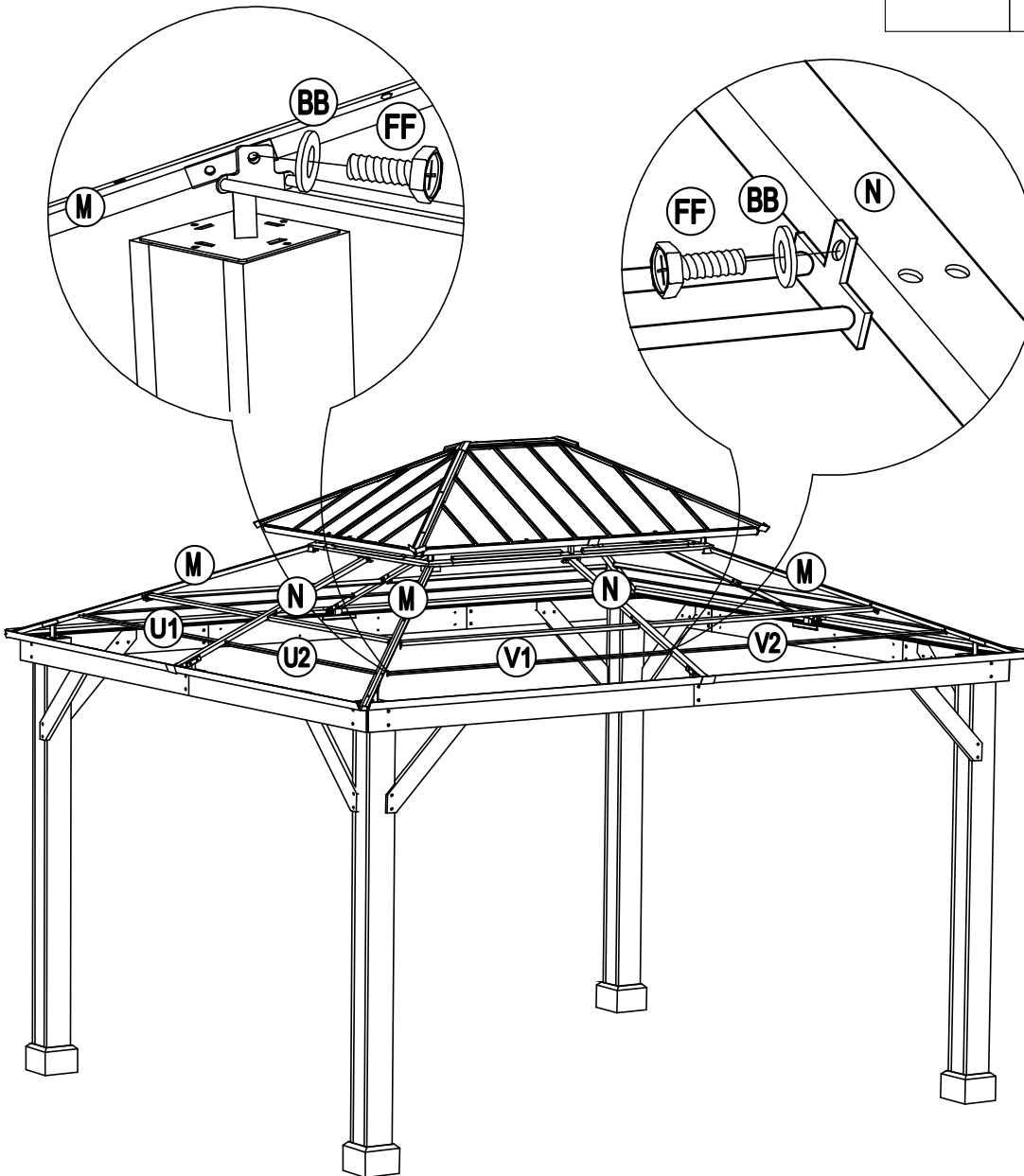
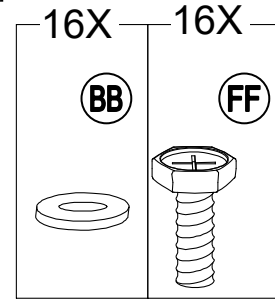
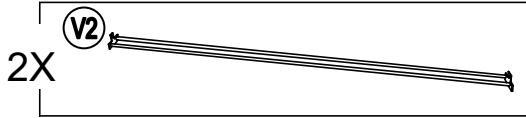
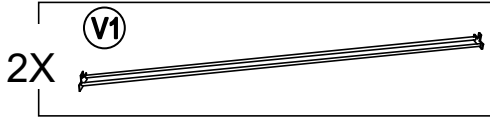
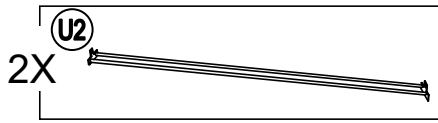
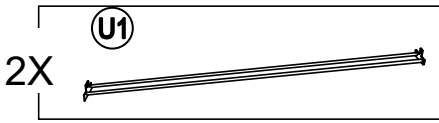
22



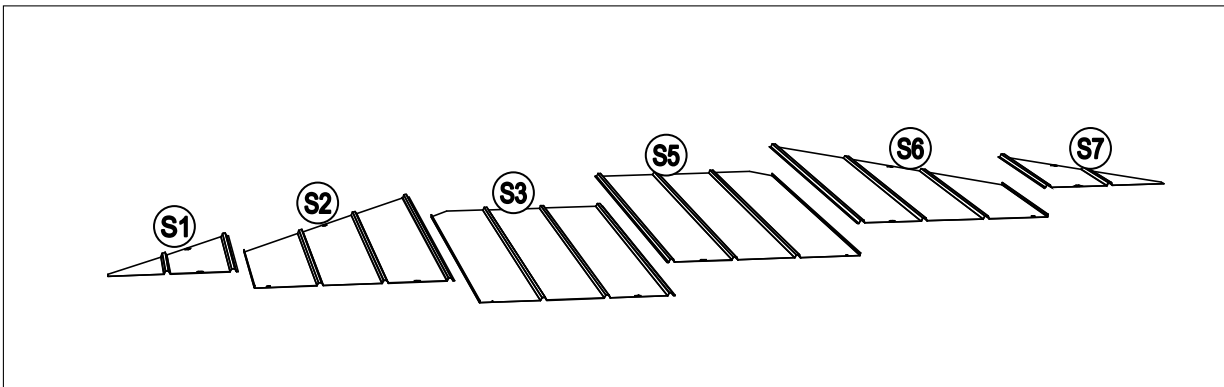
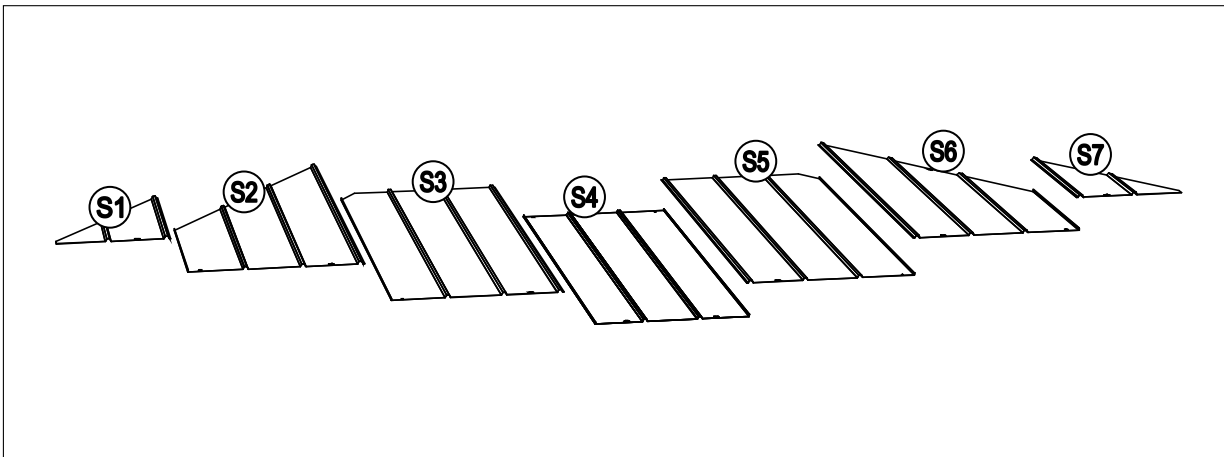
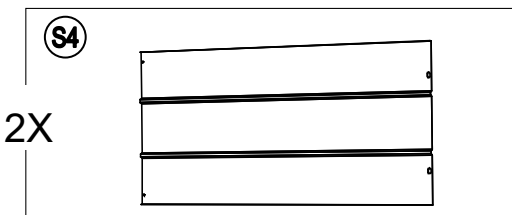
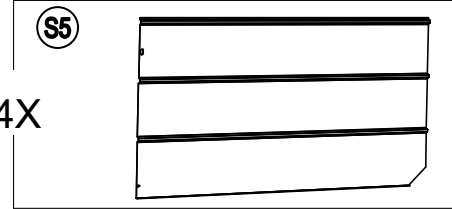
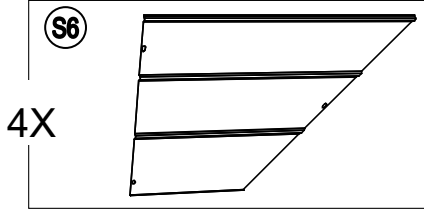
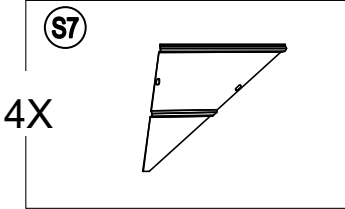
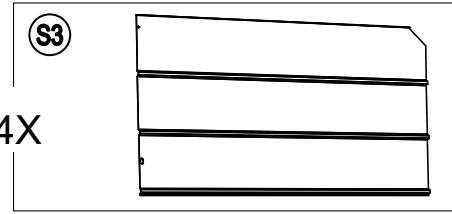
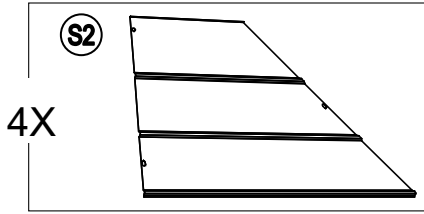
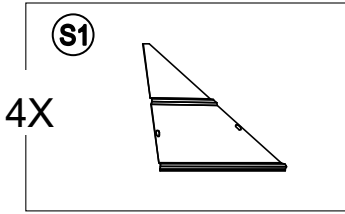
23

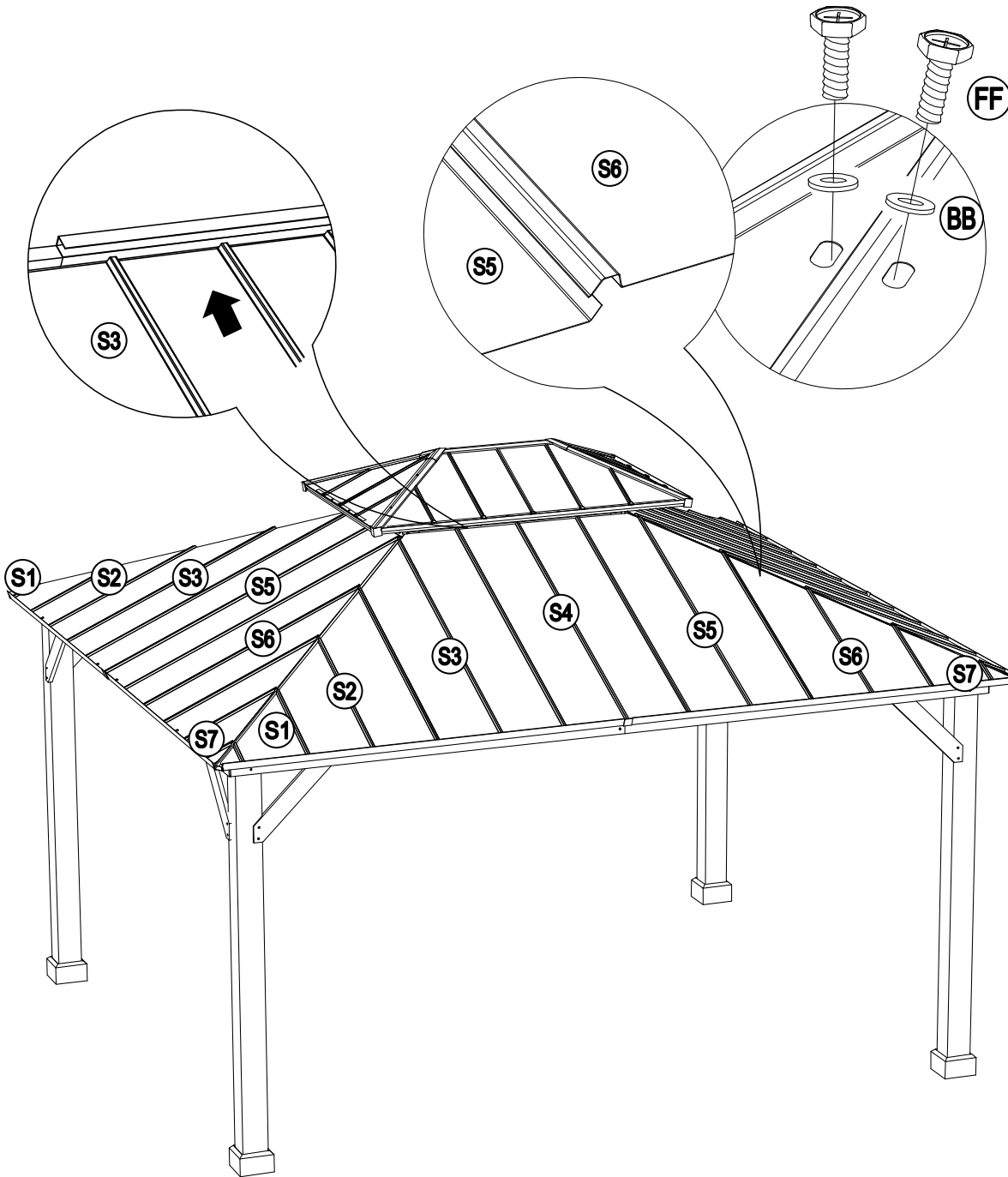
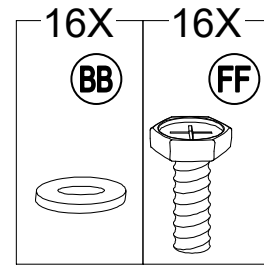


24

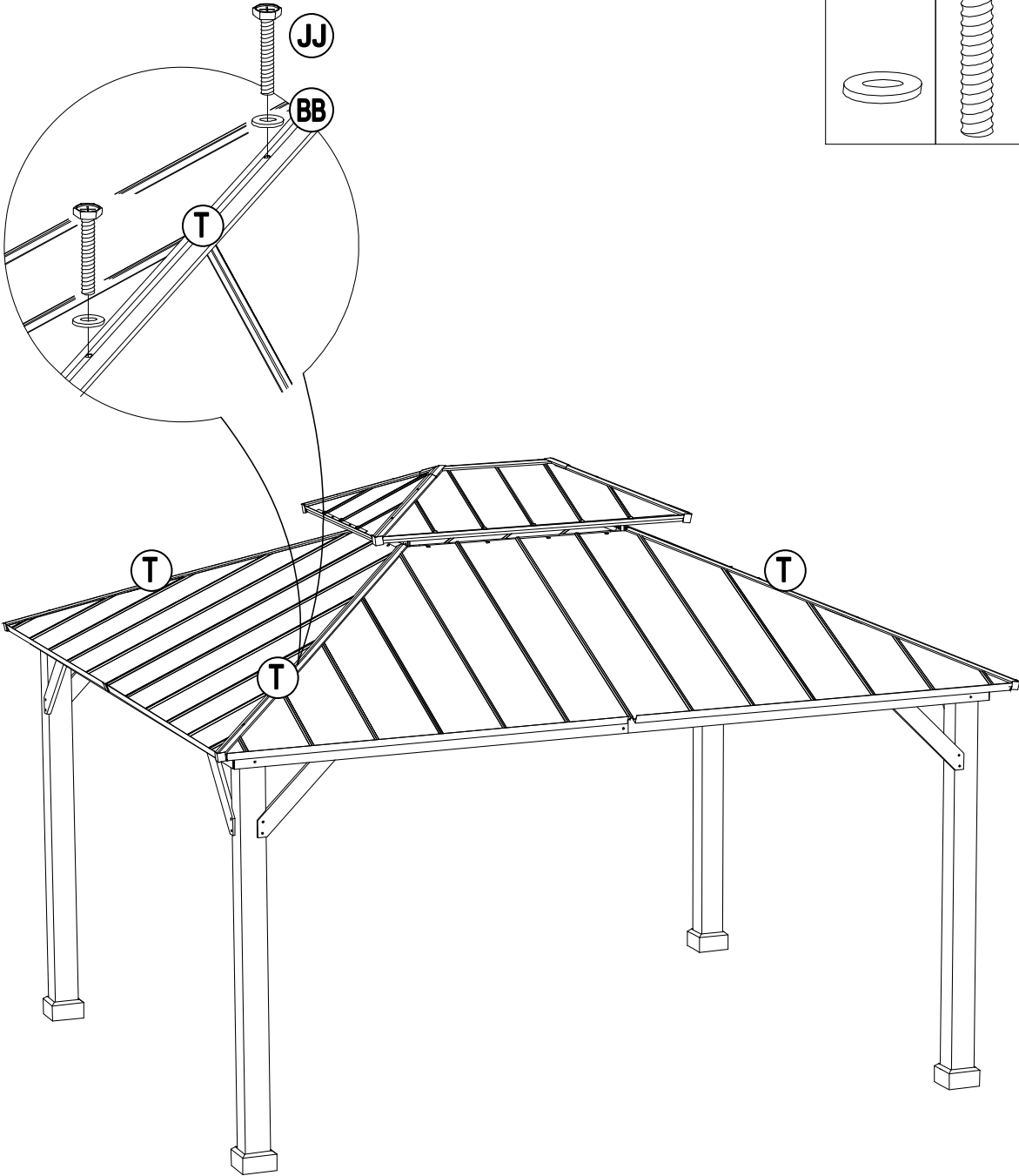
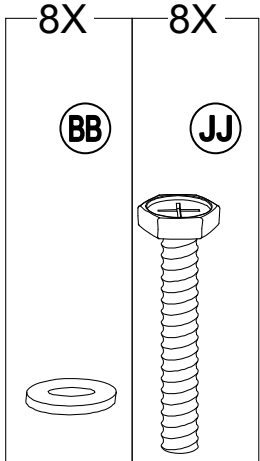
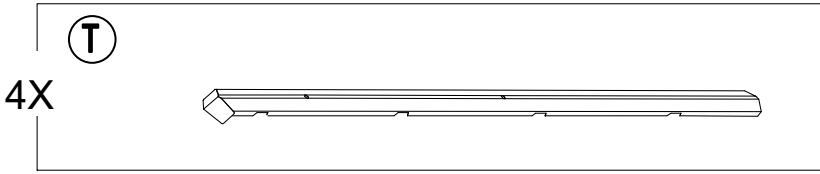


25

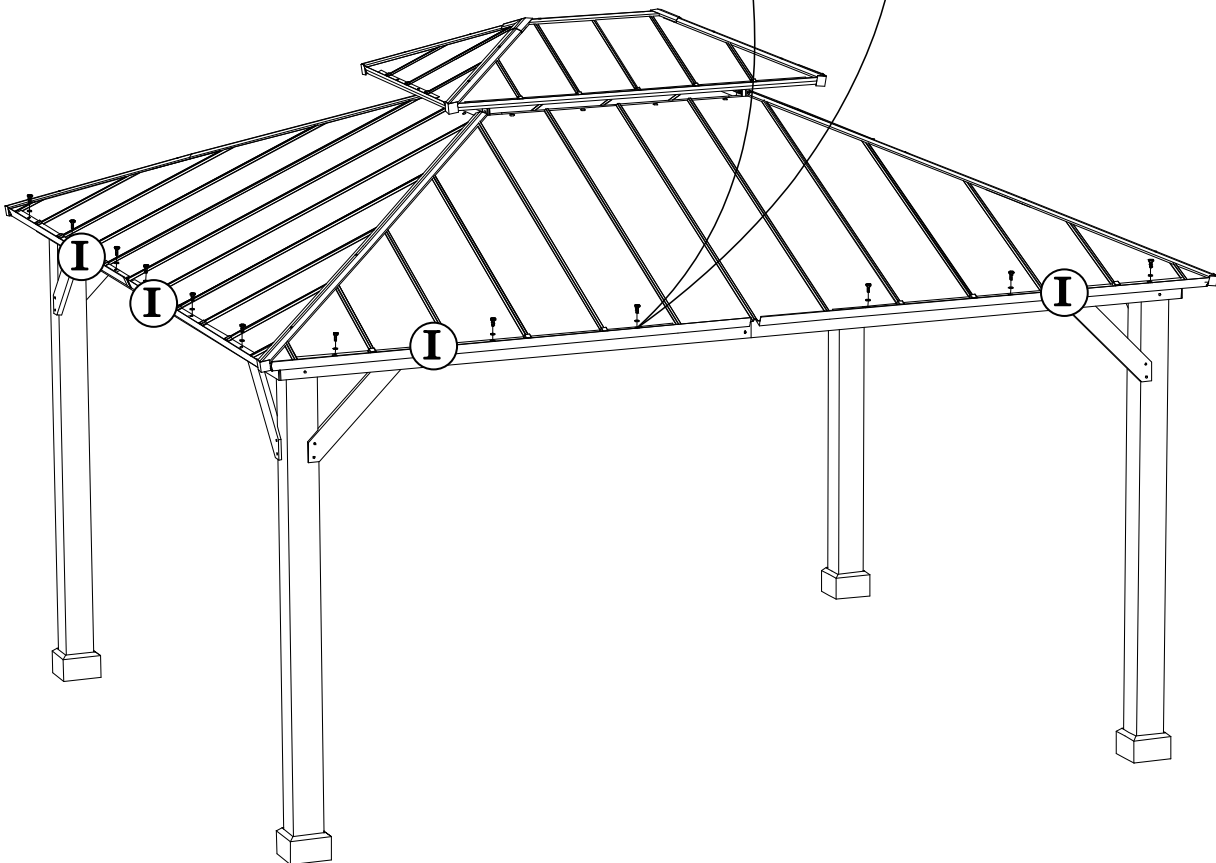
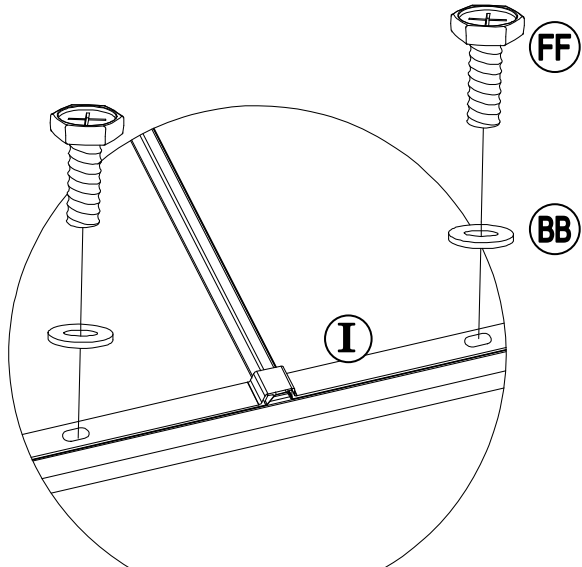
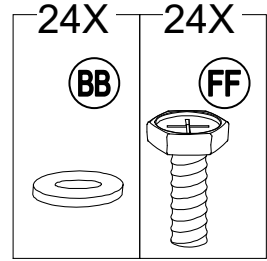
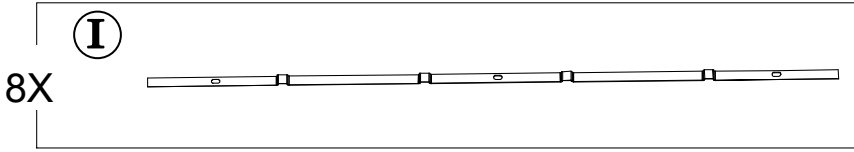




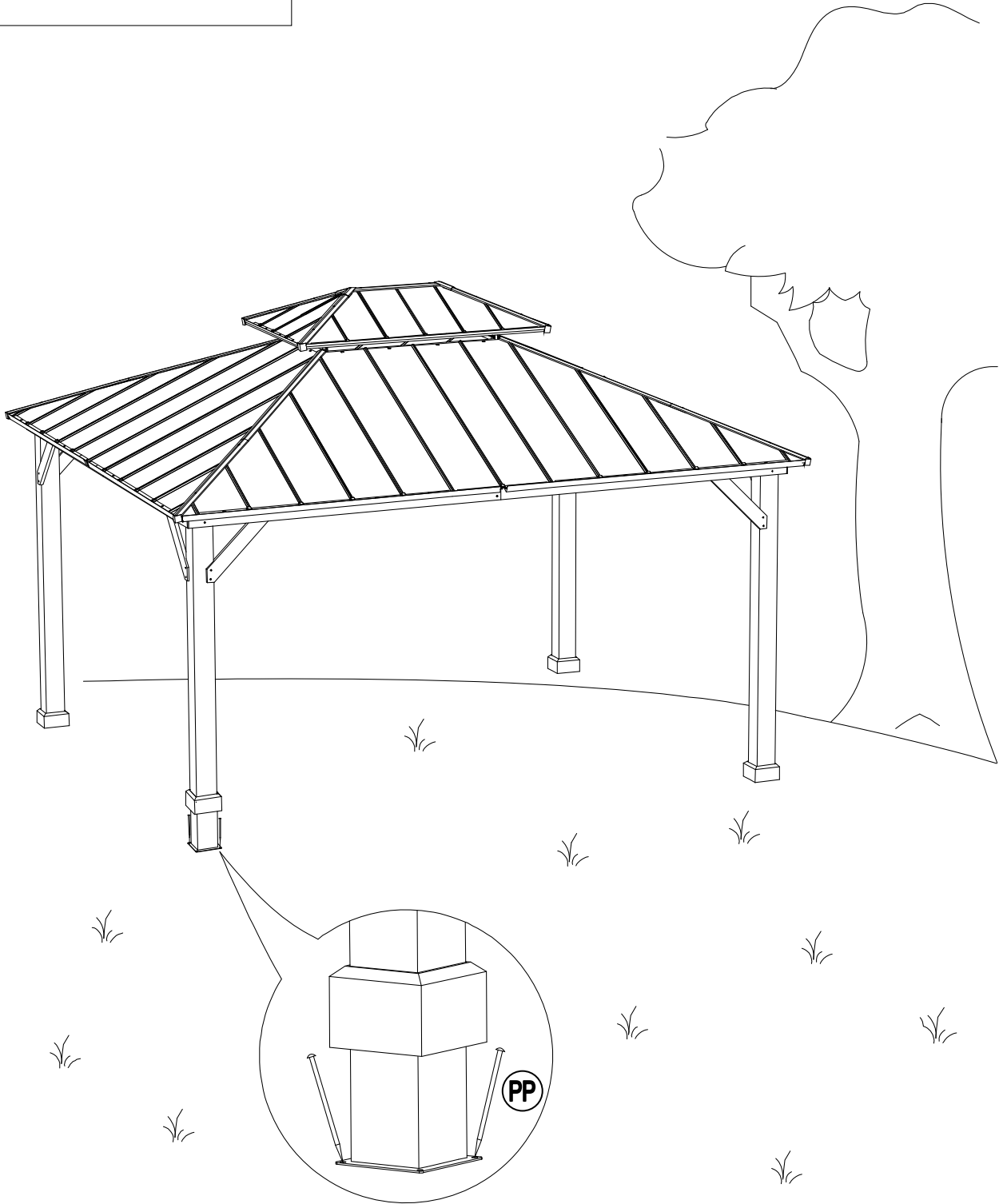
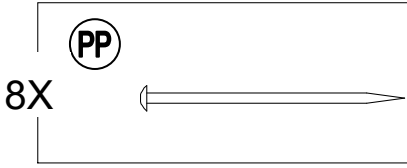
26



27



28



Care and Maintenance

- Our steel components for garden accessories and furniture are treated with rust inhibiting paint that protects it from rusting. However, due to the nature of steel, surface oxidation (rusting) will occur once these protective coatings are scratched. This is not a defect and thus not covered by the warranty.
- To minimize this condition, we recommend care when assembling & handling the product to prevent scratching the paint. Should any scratching or damage occur, we recommend immediate touch-up with rust inhibiting paint.
- Surface rust can also be easily removed with a very light application of common cooking oil. If surface oxidation (rusting) occurs and if no measure is taken to prevent this, the oxidation may start dripping on to deck or patio and caused damaging stains, which may be difficult to remove. This can be prevented if the above-mentioned measures are taken to keep the product from oxidizing.
- Use damp cloth to wipe off the stains as quickly as possible.
- If necessary, wash with a mild solution of soap and water; rinse thoroughly and dry completely.
- Periodically check and ensure that all bolts are well-tighten during use.

Limited Manufacturer's

Sunjoy Group warrants to the original purchaser that this item is free from defects in workmanship and materials for a period of **1 year** from the date of purchase, provided the item was factory-sealed at the time of purchase and is maintained with care and used only for personal, residential purposes. Should any manufacturing defect arise within this warranty period, Sunjoy Group will replace (at our option) any defective merchandise or parts upon proof of purchase; however, transportation and delivery costs, as well as payments to a third party for assembly or disassembly of the item, remain the responsibility of the purchaser. A purchaser of an "open box," previously-returned, or "clearance" item, as well as original purchasers outside of the warranty period, may obtain replacement parts from Sunjoy Group for products in current production, at nominal cost.

Exclusions:

Items used for commercial, contract, or other non-residential purposes, or items damaged due to acts of nature, vandalism, misuse, or improper assembly are not covered. Corrosion or rusting of hardware is not covered. Proof of purchase (dated register receipt) is required for warranty claims. Warranty is to the original purchaser and is non-transferable. Any replacement of warranted items will be in the original style and color, or a similar style and color if the original is unavailable or has been discontinued. As some states do not allow exclusions or limitations on an implied warranty, the above exclusions and limitations may not apply. This warranty gives you specific rights, and you may also have other rights, which vary from state to state.