

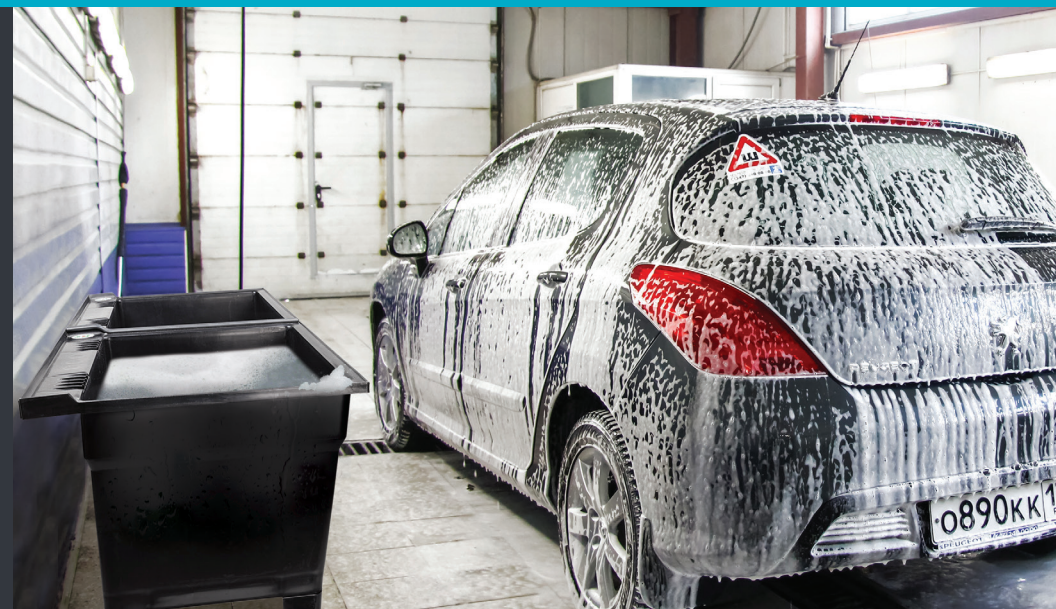
# RUGGED

# TUB

TM

## LAUNDRY & GARAGE SINKS

Built to take the abuse



[ruggedtub.com](http://ruggedtub.com)



## INNOVATING TO SIMPLIFY YOUR LIFE

At RuggedTub™, our mission is to develop products that meet your quality, toughness, durability and style requirements. Our utility sinks are designed and made in Canada by a devoted team that is focused on developing the best products to simplify your life.

We care about the environment and the long-term health of our planet. That's why our products are fully recyclable and our black sinks are made with 100% post-consumer recycled materials. Product lifecycle management is at the center of our design process.

## BUILT FOR HEAVY USE

RuggedTub™ offers innovative utility sinks available in a variety of colors and formats. They are made of high-density polypropylene and will stand up to the most demanding residential, commercial and industrial uses. RuggedTub™ sinks are fully tested and certified by Intertek to meet CSA and IAPMO standards.

**intertek**

Total Quality. Assured.

W/N 28223

CSA  
B45.5-11  
IAPMO  
Z124-2011

# NOVA 24

## ALSO PERFECT FOR A GARDEN SHED



Black

- › 68-liter heavy-duty utility sink ideal for the workshop
- › Integrated bottle shelf or soap dish
- › Multipurpose removable rack
- › Rust-proof polypropylene leg with easy to adjust levelers (no tools required)
- › Can be installed on a standard countertop as a drop-in sink
- › Optional faucet kit\*
- › 1-year limited warranty

\* cUPC-approved pull-out chrome faucet includes flexible stainless steel supply lines, plastic P-trap siphon, garden hose adaptor and hardware kit.

CODE	COLORS	UPC	WEIGHT	PALLET DIMENSIONS	QTY/PALLET
B24B	Black	874457002418	18 lb.	Length/Width/Height 45" x 49" x 78"	56
B24W	White	874457002425			
B24G	Granite	874457007994			
ALL-IN-1 SINK WITH FAUCET					
B24BK1	Black	874457002616	23 lb.	46" x 51" x 90"	20
B24WK1	White	874457002517			
B24GK1	Granite	874457002623			



Granite



Adjustable levelers

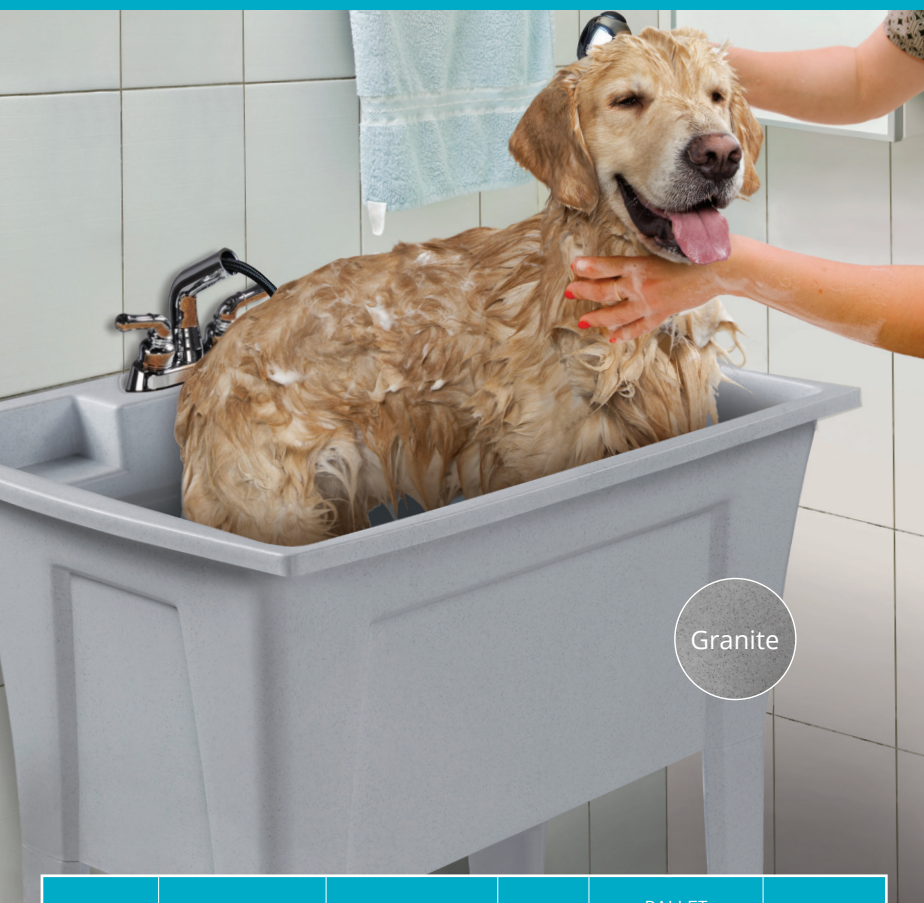


Approximate dimensions



# NOVA 32

## MORE SPACE... MORE POSSIBILITIES

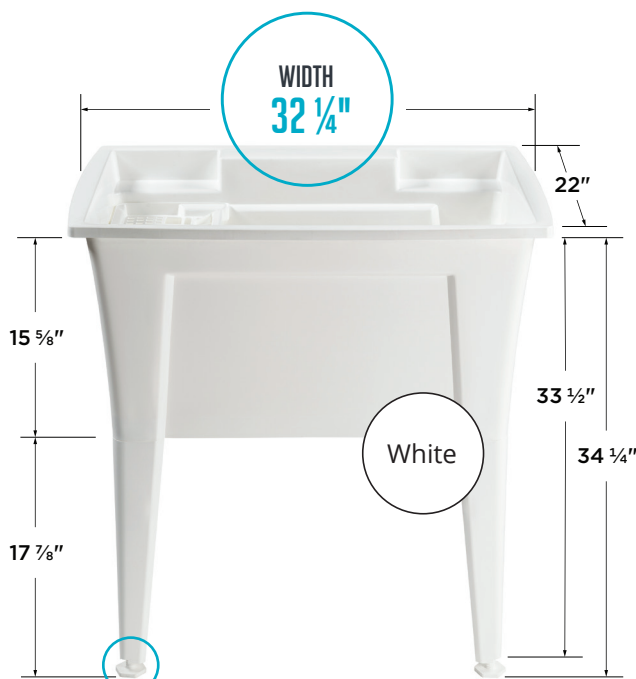


Granite

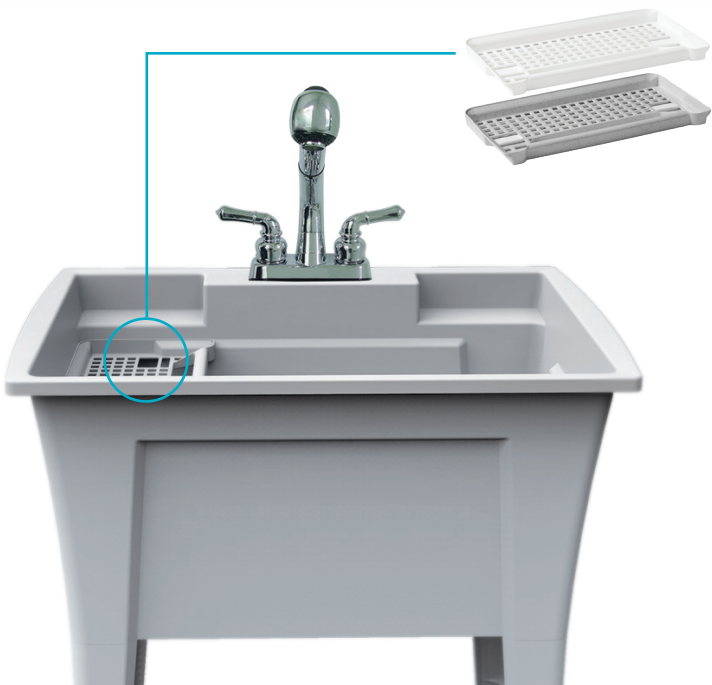
- › 95-liter large utility sink ideal for pet grooming
- › Two integrated bottle shelves or soap dishes
- › Multipurpose removable rack
- › Rust-proof polypropylene leg with easy to adjust levelers (no tools required)
- › Can be installed on a standard countertop as a drop-in sink
- › Optional faucet kit\*
- › 1-year limited warranty

\* cUPC-approved pull-out chrome faucet includes flexible stainless steel supply lines, plastic P-trap siphon, garden hose adaptor and hardware kit.

CODE	COLORS	UPC	WEIGHT	PALLET DIMENSIONS	QTY/PALLET
G32W	White	874457008007	24 lb.	Length/Width/Height 40" x 48" x 80"	28
G32G	Granite	874457002456			
<b>ALL-IN-1 SINK WITH FAUCET</b>					
G32WK1	White	874457002524	29 lb.	40" x 48" x 90"	10
G32GK1	Granite	874457008090			



Approximate dimensions

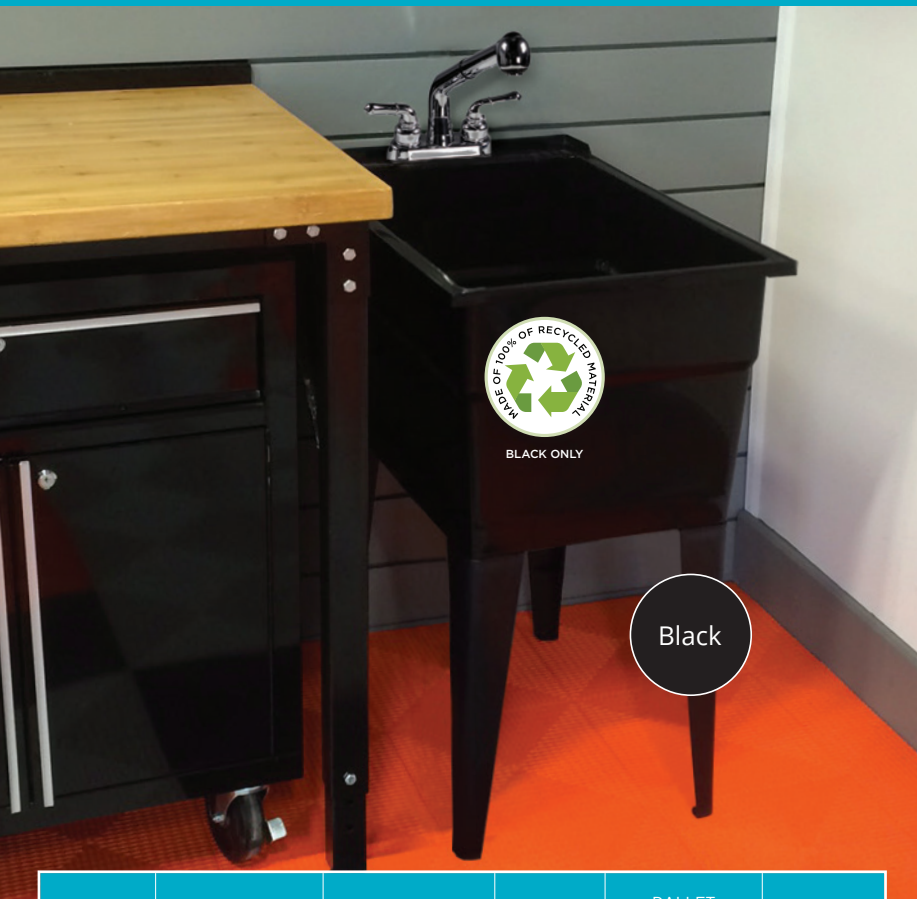


Adjustable levellers



# CLASSIC 18

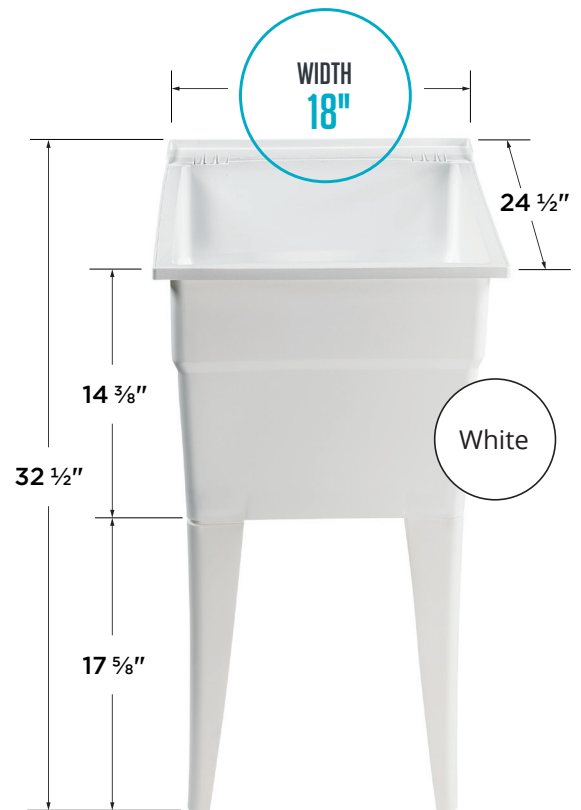
## CONVENIENT AND READY TO TAKE THE ABUSE



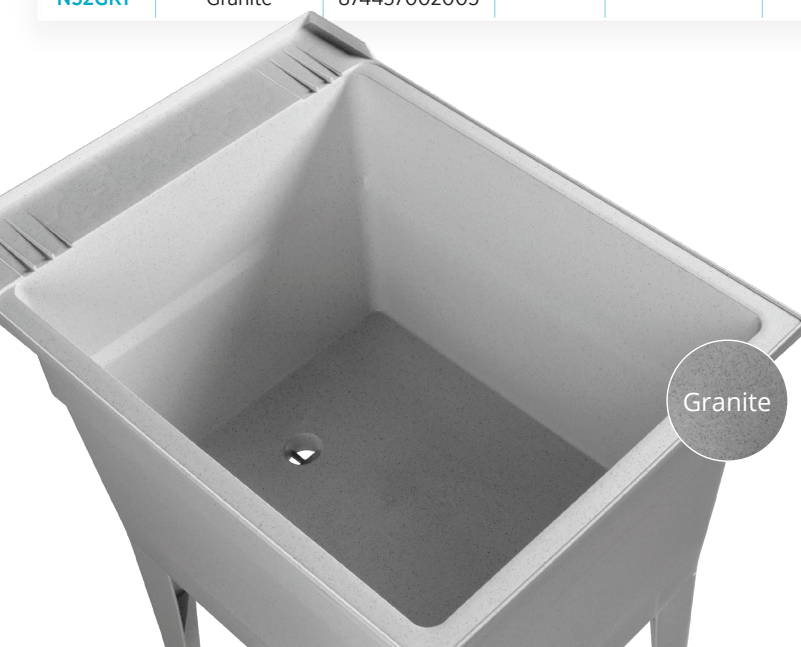
- › 71-liter heavy-duty utility sink ideal for the garage
- › Narrow configuration allowing for installation in restricted spaces
- › Two integrated soap dishes
- › Legs with foot leveler
- › Can be installed on a standard countertop as a drop-in sink
- › Optional faucet kit\*
- › 1-year limited warranty

\* cUPC-approved pull-out chrome faucet includes flexible stainless steel supply lines, plastic P-trap siphon, garden hose adaptor and hardware kit.

CODE	COLORS	UPC	WEIGHT	PALLET DIMENSIONS	QTY/PALLET
N52B	Black	874457001954	12 lb.	Length/Width/Height 40" x 55" x 77"	52
N52W	White	874457007376			
N52G	Granite	874457001961			
ALL-IN-1 SINK WITH FAUCET					
N52BK1	Black	874457001992	17 lb.	40" x 50" x 99"	24
N52WK1	White	874457007758			
N52GK1	Granite	874457002005			

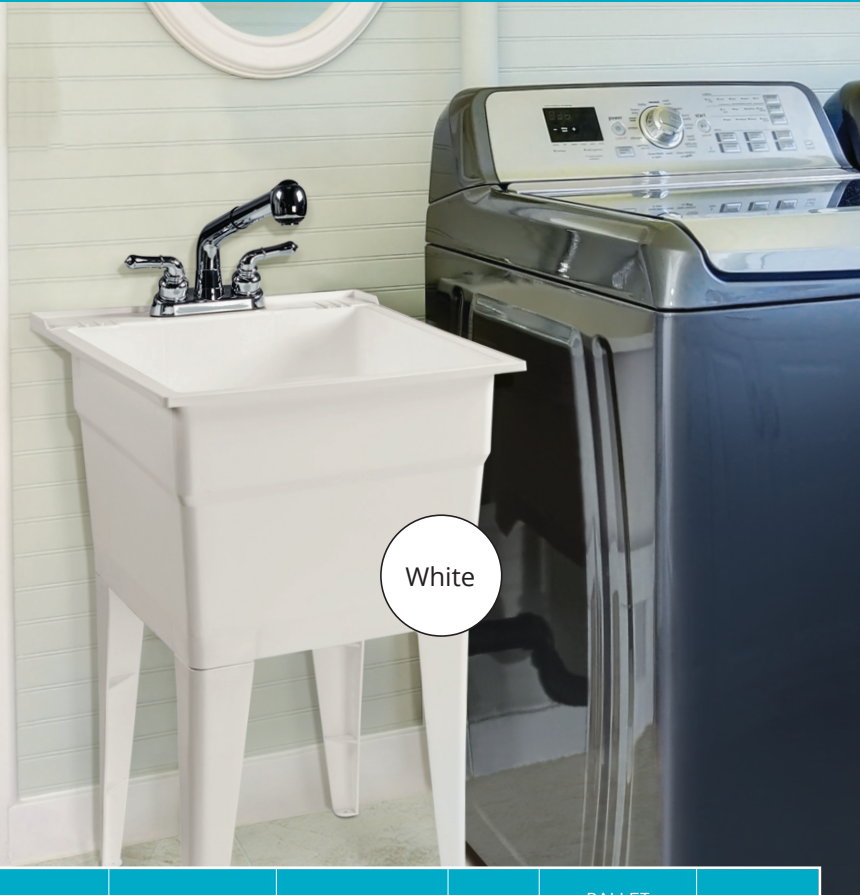


Approximate dimensions



# CLASSIC 24

## FUNCTIONAL AND TIMELESS



- › 73-liter heavy-duty utility sink ideal for the laundry room
- › Two integrated soap dishes
- › Legs with foot leveler
- › Can be installed on a standard countertop as a drop-in sink
- › Optional faucet kit\*
- › 1-year limited warranty

\*cUPC-approved pull-out chrome faucet includes flexible stainless steel supply lines, plastic P-trap siphon, garden hose adaptor and hardware kit.

CODE	COLORS	UPC	WEIGHT	PALLET DIMENSIONS	QTY/PALLET
TLTB	Black	874457009455	14 lb.	Length/Width/Height 45" x 48" x 78"	72
TLTW	White	874457008533			
TLTG	Granite	874457009370			
ALL-IN-1 SINK WITH FAUCET					
TLTBK1	Black	874457008885	18 lb.	45" x 49" x 101"	24
TLTWK1	White	874457008540			
TLTGK1	Granite	874457009714			



Approximate dimensions



# CLASSIC 48

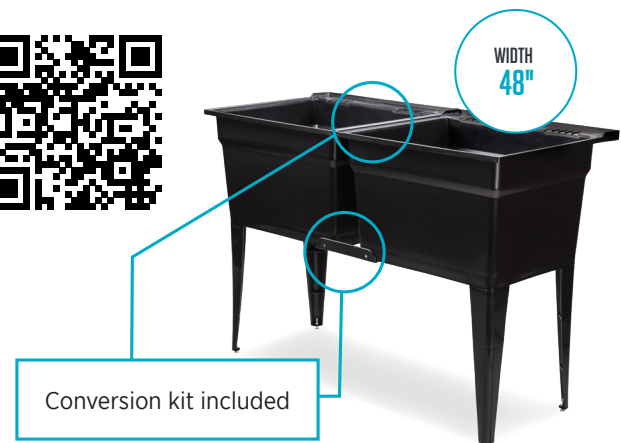
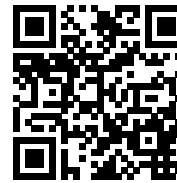
## DOUBLY PRACTICAL, SIMPLY PERFECT.



CODE	PRODUCT NAME	UPC	WEIGHT	PALLET DIMENSIONS	QTY/PALLET
<b>TDLK</b>	Conversion kit	874457008854	6 lb.	Length/Width/Height 40" x 48" x 99"	384
<b>TLTDBK*</b>	Double sink	874457008045	28 lb.	46" x 51" x 100"	20

\* Includes the conversion kit TDLK

- › Conversion kit for double sink assembly, containing two polypropylene union plates, a polyethylene extrusion and hardware
- › Compatible with the Classic 24 series (see code TLTDBK for all-inclusive SKU)
- › Available in black only
- › 1-year limited warranty



## FAUCETS

CODE	PRODUCT NAME	UPC	WEIGHT	PALLET DIMENSIONS	QTY/PALLET
<b>TFC</b>	2-handle	874457008915	5 lb.	Length/Width/Height 43" x 51" x 81"	288
<b>TFC-1H</b>	1-handle	874457007901		n/a	n/a
ACCESSORIES/ACCESSOIRES					
<b>TL-KIT</b>	Hardware kit*	874457002821	1 lb.	n/a	100

\* Contains a plug (1½-in.), a nylon washer and a connecting drain nut



TFC



TFC-1H




- › Chrome pull-out faucet includes flexible stainless steel supply lines, plastic P-trap siphon, garden hose adaptor and hardware kit
- › Features a backflow valve to prevent any reflux
- › 2-handle model includes a washerless cartridge for reliability and easy maintenance
- › 1-handle model includes a no-maintenance washerless ceramic disc

TECHNOFORM™  
INDUSTRIES

1350 Des Cascades Street, Châteauguay, Quebec J6J 4Z2

 450-699-2424 | 1-877-377-4494

 450-699-8484

[info@technoform.ca](mailto:info@technoform.ca)

[technoform.ca](http://technoform.ca)

[ruggedtub.com](http://ruggedtub.com)