

INSTRUCTIONS FOR USE

System 2000



WARNING

To avoid injury, always read this Instructions for Use and accompanied documents before using the product.



Mandatory to read the Instructions for Use

Design Policy and Copyright

® and ™ are trademarks belonging to the Arjo group of companies.

© Arjo 2019

As our policy is one of continuous improvement, we reserve the right to modify designs without prior notice. The content of this publication may not be copied either whole or in part without the consent of Arjo.

Contents

Foreword	4
Intended Use	5
Safety Instructions	6
Preparations	7
System 2000 Bathtubs	8
Parts Designation	10
Control Panels	12
Buttons and Displays	14
Product Description/Functions	16
Drain Control Knob	16
Autofill	16
Shower Handle	17
Shower/Disinfection System (UK market only)	17
P220 Temperature Display	18
P300 Display	18
Scalding Protection	18
Shampoo/Body Wash (optional)	19
Bath Oil/ArjoSound™ Water Conditioner (optional)	19
Raise and Lower Bathtub	20
Emergency Lowering (optional, not for UK market)	20
Disinfection Unit (optional)	20
Pillow	21
Foot Support	21
Toiletry Tray (optional)	21
Hot Water Flush (Kit)	21
Hydromassage System	22
Hydrosound System	24
Sound & Vision System	26
Change Default Setting (P300 only)	27
Bathe Patient using a Lift Hygiene Chair	28
Bathe Patient using a Lift Bath Trolley	34
Cleaning and Disinfection Instructions	40
Care and Preventive Maintenance	52
Troubleshooting	56
Error Codes (P300 only)	57
Technical Specifications	58
List of Standards and Certificates	63
Labels	64
Electromagnetic Compatibility	66
Parts and Accessories	69

Foreword

Thank you for purchasing Arjo Equipment

The Arjo System 2000® bath is part of a worldwide family of quality products designed especially for efficient patient hygiene and good ergonomics for the caregiver.

Please read this *Instructions for Use* thoroughly!

Please read this *Instructions for Use (IFU)* in its entirety before using your *System 2000* bath. Information in this *IFU* is crucial to the proper operation and maintenance of the equipment, will help protect your product, and make sure that the equipment performs to your satisfaction. Some of the information in this *IFU* is important for your safety and must be read and understood to help prevent possible injury.

Unauthorized modifications on any Arjo equipment may affect its safety. Arjo will not be held responsible for any accidents, incidents or lack of performance that occur as a result of any unauthorized modification to its products.

Service and Support

A service routine has to be done on your *System 2000* to make sure the safety and operating procedures of your product. See section *Care and Preventive Maintenance* on page 52.

If you require further information, please contact Arjo for comprehensive support and service programs to maximize the long-term safety, reliability and value of the product. Contact Arjo for replacement parts. Contact information appears on the last page of this *Instructions for Use (IFU)*.

Serious incident

If a serious incident occurs in relation to this medical device, affecting the user, or the patient then the user or patient should report the serious incident to the medical device manufacturer or the distributor. In the European Union, the user should also report the serious incident to the Competent Authority in the member state where they are located.

Complementary Information

A set of Quick Guides/Posters accompanies this *IFU*. Please note that the Quick Guides/Posters do not replace the information in this *IFU*. The *IFU* contains additional important safety instructions.

A Video accompanies this *IFU*.

Please note that the Video does not replace the information in this *IFU*. The *IFU* contains additional important safety instructions.

Definition in this *IFU*:

WARNING

Means:

Safety warning. Failure to understand and obey this warning may result in injury to you or to others.

CAUTION

Means:

Failure to follow these instructions may cause damage to all or parts of the system.

NOTE

Means:

This is important information for the correct use of this system or equipment.



Means:

The name and address of the manufacturer.

Intended Use

This equipment must be used in accordance with these safety instructions.

Anyone using this equipment must also have read and understood the instructions in this *Instructions for Use (IFU)*.

If there is anything you do not completely understand, ask your Arjo representative.

This equipment is intended for therapeutic bathing and showering hospital or care facility residents under the supervision of trained skilled nursing staff in accordance with the instructions outlined in the *Instructions for Use (IFU)*.

Equipment fitted with a bathtub disinfection device must be disinfected according to the instructions established in the IFU. All other uses of the disinfection device must be avoided.

The System 2000 should only be used for the purpose specified in this *Instructions for Use*. Any other use is prohibited.

Resident Assessment

We recommend that facilities establish regular assessment routines.

Caregivers should assess each resident according to the following criteria prior to use:

- The resident's weight should not exceed the Safe Working Load (SWL) of the lift hygiene chair, lift bath trolley or sling lifters.
- Active and semi-active residents (i.e. able to sit upright self supported on the side of a bed or toilet) and completely bedridden residents can use the bath. Correct transfer equipment shall be used.

If a resident does not meet these criteria an alternative equipment or system shall be used.

Installation Requirements

The equipment must only be used for the purposes stated above and must be installed according to the *Assembly and Installation Instructions*, which can only be superseded by local code.

Indication for Use

To relieve pain and itching and as an aid in the healing process of inflamed and traumatized tissue, and it serves as a setting for removal of contaminated tissue.

Expected Service Life

The expected lifetime of this equipment, unless otherwise stated, is ten (10) years, subject to required preventative maintenance as specified in the section *Care and Preventive Maintenance on page 52*, the *Assembly and Installation Instructions* and the *Parts List*.

Safety Instructions

WARNING

To avoid injury to both the patient and the caregiver, never modify the equipment or use incompatible parts.

WARNING

To avoid explosion or fire, never use the equipment in oxygen rich environment, in presence of heat source or flammable anaesthetic gases.

WARNING

To avoid electric shock, never use other electrical equipment near this device.

WARNING

To avoid falling, make sure the patient always remains in a seated position.

WARNING

To avoid injury, make sure that the patient is not left unattended at any time.

NOTE

A medical assessment of the patient must be made in order to ensure their suitability to use this product.

Preparations

Site Preparation

Prior to installation of the *System 2000* bath the floor and walls within the required area must be finished.

Material: The floor should be made of a slip-resistant material, free of bumps.

Floor Slope: When using a floor drain, the slope towards the drain should not exceed 1:50.

Floor attachments: The floor construction must be suitable for anchoring the bolts.

Actions Before the First Use

(10 steps)

- 1 Make sure that the bath has been installed according to the *Assembly and Installation Instructions*.
- 2 Check that all parts of the product are supplied. Compare with section *Parts Designation on page 10*. If any part is missing or damaged - do NOT use the product.
- 3 Unpack the plastic from the *Sound & Vision* system hand control, if any.
- 4 Read the *IFU*.
- 5 Disinfect the product according to section *Cleaning and Disinfection Instructions on page 40*.
- 6 Perform a functionality test according to section *Care and Preventive Maintenance on page 52*.
- 7 Choose a designated area, where the *IFU* should be kept and is easily accessible at all times.
- 8 Make sure the thermostatic mixer has been calibrated according to the *Assembly and Installation Instructions* by an Arjo service technician.
- 9 **WARNING**
To prevent scalding, make sure that the water mixer has been calibrated. Confirm that responsible organization has established calibration routines.
- 10 Make sure to have a rescue plan ready in case of a patient emergency.

Actions Before Every Use

(5 steps)

- 1 Check that all parts are in place. See section *Parts Designation on page 10*.
- 2 Check bath and accessories for damage.
- 3 If any part is missing or damaged - do NOT use the product.
- 4 Check the liquid level of disinfection bottle (*P220* only).

5

WARNING

To prevent cross-contamination, always follow the disinfection instructions in this *Instructions for Use*.

Before every use, make sure the *System 2000* bath is cleaned and disinfected according to section *Cleaning and Disinfection Instructions on page 40*.

NOTE

If you have any questions, please contact your local Arjo representative for support and service. The contact information is listed on the last page of this *IFU*.

System 2000 Bathtubs

Rhapsody®

1600 mm (63")

1900 mm (75")

2150 mm (85")

White

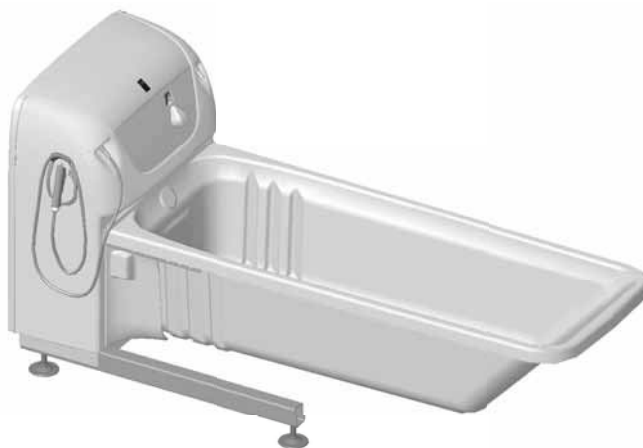


Primo®

1600 mm (63")

1900 mm (75")

White

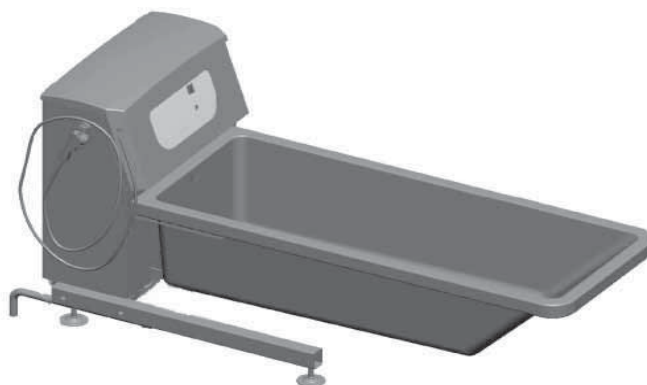


Primo® Ferro

1870 mm (73 5/8")

2120 mm (83 1/2")

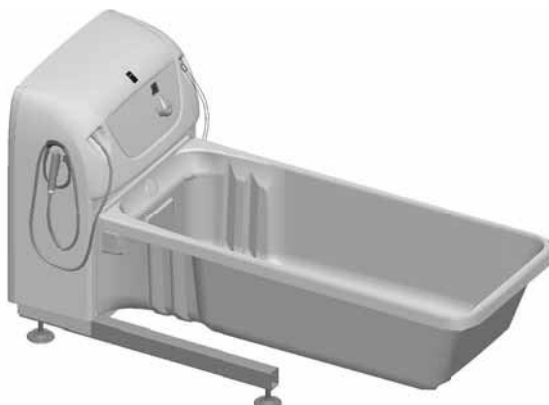
Stainless steel




Harmonie™

1680 mm (66 1/8")

White



Parts Designation

- 1 Control panel lid
- 2 Control panel
- 3 Patient shower handle
- 4 Filling spout
- 5 Dispenser outlet for shampoo and bath oil (*ArjoSound* water conditioner)
- 6 Surface overflow outlet and drain control knob
- 7 Temperature/water level sensor
- 8 Temperature/water sensors
- 9 Drain with a drain plug
- 10 Foot support
- 11 Bathtub 
- 12 Drainage hose
- 13 Foot pad for 1680 mm (66 1/8"), 1870 mm (73 5/8") and 1900 mm (75") bathtubs.
- 14 "Duck Foot" for 1600 mm (63"), 2120 mm (83 1/2") and 2150 mm (85") bathtubs.
- 15 Pillow
- 16 Toiletry tray (optional)
- 17 Emergency lowering (optional)
- 18 Compartment for shampoo/bath oil (*ArjoSound* water conditioner) and disinfectant.
- 19 Lock bracket

Disinfection unit (optional)

Not WRAS approved

- 20 Disinfection spray handle
- 21 Disinfectant bottle compartment under shampoo/bath oil (*ArjoSound* water conditioner).
- 22 Flow meter

Hydromassage™ system (optional)

- 23 Water flow and air mix control
- 24 *Hydromassage* system outlet with quick coupling device
- 25 Suction inlet
- 26 Treatment hose with nozzle (accessory)

Hydrosound® system (optional)

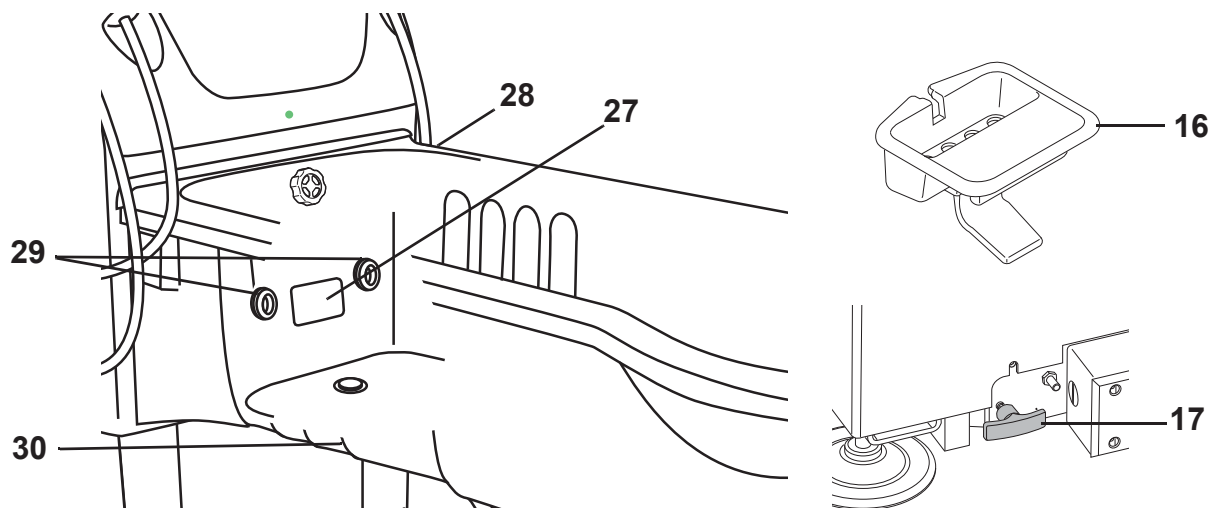
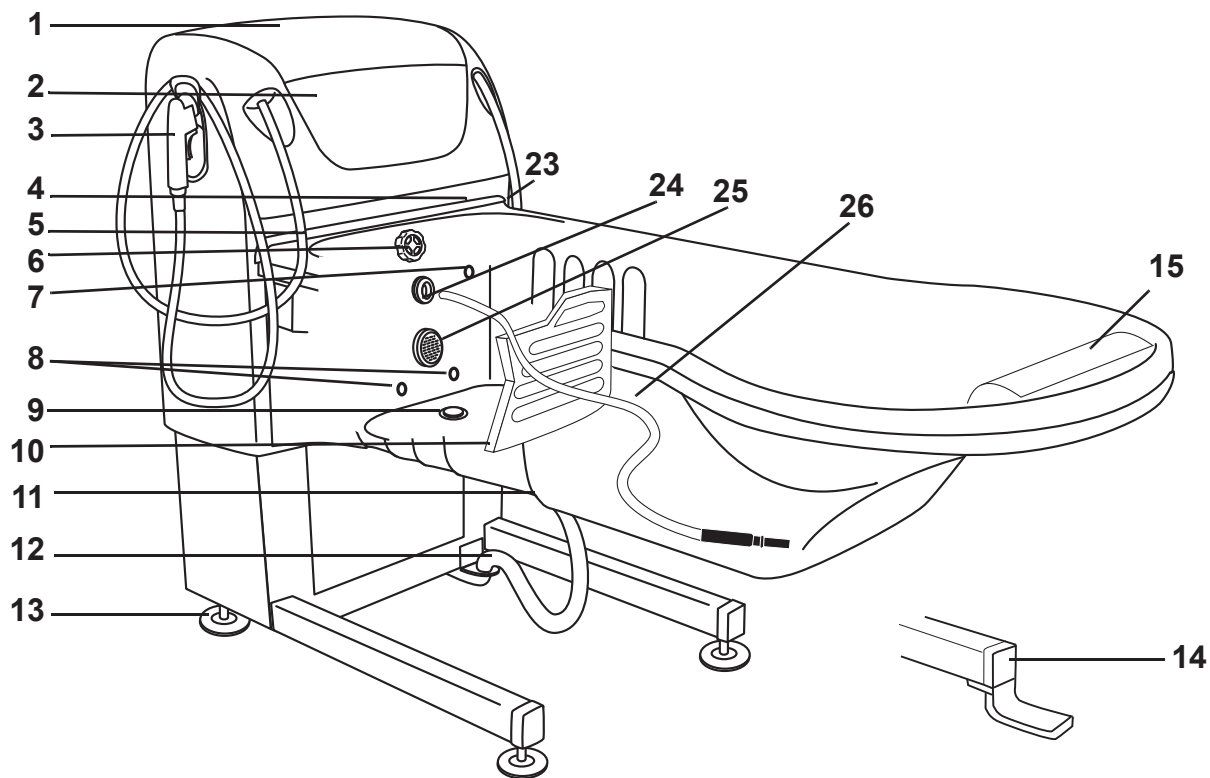
- 27 *Hydrosound* system transducer plate
- 28 Intensity control knob

Sound & Vision® system (optional)

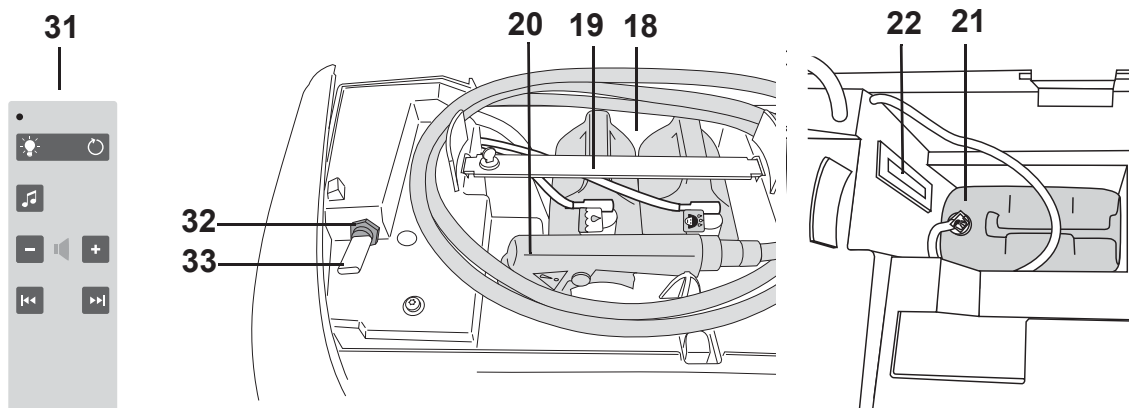
- 29 *Sound & Vision* system light
- 30 Speakers
- 31 Remote control
- 32 USB connector
- 33 USB memory stick



Type B, Applied part.
Degree of Protection -
Electrical shock

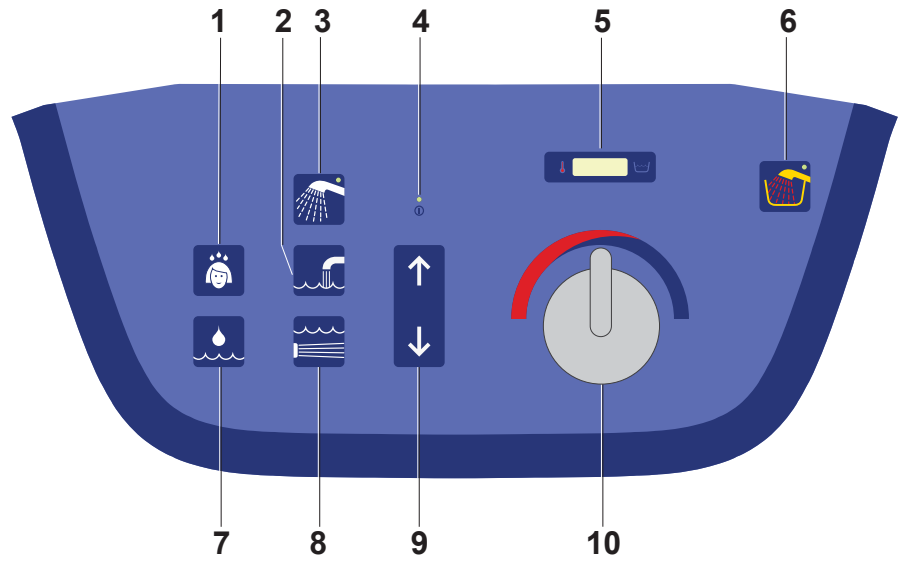


UNDER THE CONTROL PANEL LID



Control Panels

P220 Control Panel



1 Shampoo/body wash ON/OFF

2 Autofill ON/OFF

3 Shower ON/OFF

4 Mains power indicator

5 Temperature display - bathtub water

6 Disinfection ON/OFF

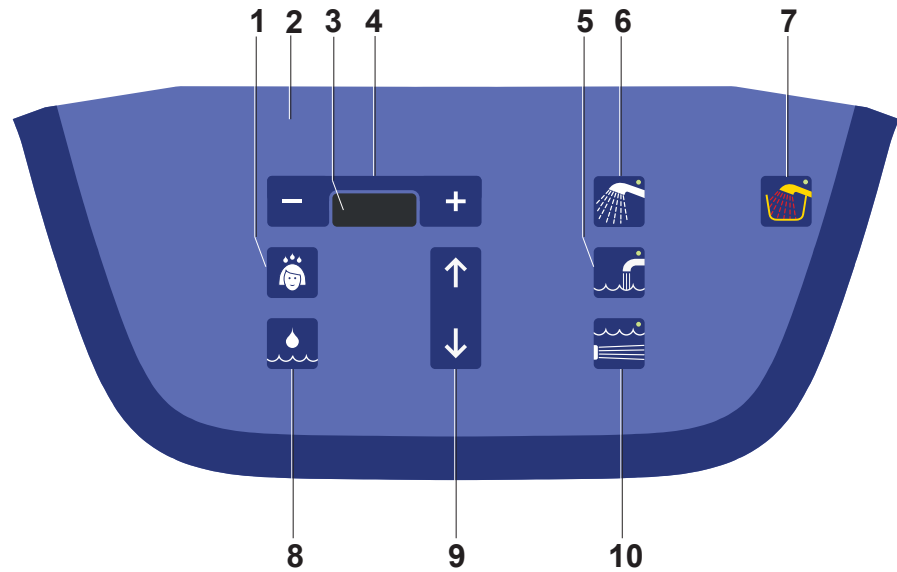
7 Bath oil/*ArjoSound* water conditioner ON/OFF

8 *Hydromassage/Hydrosound* system ON/OFF

9 Raise and lower the bathtub

10 Temperature setting knob

P300 Control Panel

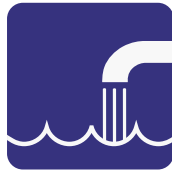


- | | |
|------------------------------------------------------------------------------------------------------------|-------------------------------------------------------|
| 1 Shampoo/body wash ON/OFF | 5 Autofill ON/OFF |
| 2 Hidden button (change default setting according to <i>Change Default Setting (P300 only)</i> on page 27) | 6 Shower ON/OFF |
| 3 Display - temperature, filling, bathtub water and disinfectant, error codes etc. | 7 Disinfection ON/OFF |
| 4 Temperature setting: colder (-), warmer (+) | 8 Bath oil/ <i>ArjoSound</i> water conditioner ON/OFF |
| | 9 Raise and lower the bathtub |
| | 10 <i>Hydromassage/Hydrosound</i> system ON/OFF |

Buttons and Displays



P300



P220

Autofill Button

- 1 Press Autofill button to fill bath to preset level.
- 2 LED lights up when filling is active (P300). No LED is available on P220.
- 3 Press the Autofill button again to stop the filling.



Shower Button

- 1 Press the Shower button to start the shower.
- 2 Press the Shower button again stop the shower.
- 3 LED lights up when active.
- 4 The shower function shuts off after 15 minutes. Press Shower button to restart.



Raise Bathtub Button

- Press and hold in the Raise Bathtub button to raise the bathtub.



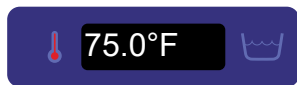
Lower Bathtub Button

- Press and hold in the Lower Bathtub button to lower the bathtub.

Temperature Display - Bathtub water (P220)

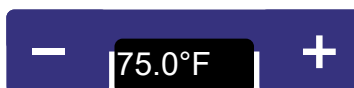
The display shows the current water temperature in the bathtub.

- P220 has a mechanical and electronic scalding protection.



Display (P300)

The display shows the temperature of the filling water, active shower and disinfectant liquid from the disinfection spray handle.



- Press plus (+) for warmer water and press minus (-) for colder water.
- Press plus (+) or minus (-) to select between preset autofill levels.
- Provides digital adjustment of the *Hydrosound* system.
- Built-in electronic scalding protection.



P300 StandbyMode

- The display will show two dashes when there is no water in the bathtub and no functions are activated.

Shampoo/Body Wash Button

- Press the Shampoo/Body Wash button to dispense shampoo/body wash from the outlet.



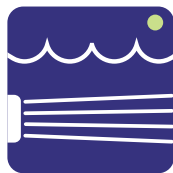
Bath Oil/ArjoSound™ Water Conditioner Button

- 1 Press the Bath Oil/*ArjoSound* water conditioner button to dispense Bath Oil/*ArjoSound* water conditioner from the outlet.
- 2 Baths equipped with the *Hydrosound* system have *ArjoSound* water conditioner instead of Bath Oil.

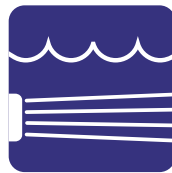


Hydromassage™/Hydrosound® System Button (optional)

The bath is either equipped with *Hydromassage* system or with the *Hydrosound* system.

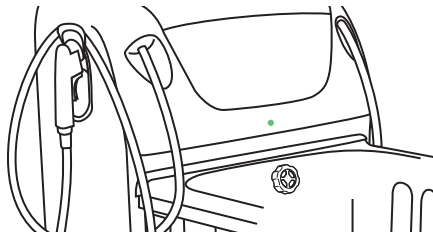


P300



P220

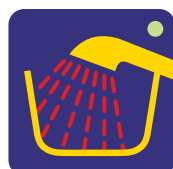
- 1 Press the *Hydromassage/Hydrosound* system ON/OFF button to start hydromassage (built-in jets) or hydrosound (low frequency ultra sound).
- 2 Press the *Hydromassage/Hydrosound* system ON/OFF button again to stop hydromassage/hydrosound.
- 3 LED lights up green when active (P300). LED is placed below the control panel on P220. It lights up green when *hydrosound* is active (no indication for *hydromassage* on P220).
- 4 The *Hydromassage/Hydrosound* system will automatically shut itself off after 15 minutes. There is a waiting time of 15 minutes time before the function can be restarted.



Disinfection Button (optional)

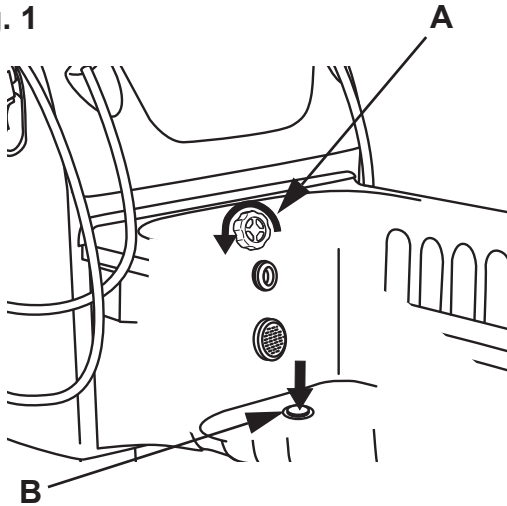
Note that the button is always on the panel but the function might not be included.

- Press the disinfection button to activate disinfection unit.
- LED lights up when active.
- Low disinfectant warning indicators (P300 only).
- Button only works when there is no water in the bathtub and no functions are activated.



Product Description/Functions

Fig. 1



Drain Control Knob

Turn the drain control knob (A) to open and close the drainage plug (B) of the bathtub. (See Fig. 1)

- Turn **Clockwise** to **open**.
- Turn **Counter Clockwise** to **close**.

The drain control knob is equipped with a built-in surface overflow outlet to prevent water to overflow the bathtub.

Autofill

The bath is equipped with an autofill function that prefills the bathtub to a preset water level. The preset autofill levels fluctuate depending on water pressure.


- 1 Press the  Autofill button to start prefill. (See Fig. 2)
- 2 LED lights up when filling is active (P300).
No LED is available on P220.
- 3 The Autofill stops automatically when prefill level is reached.
- 4 Press the Autofill button to stop filling at any time during Autofill.

Fig. 2



NOTE

If the Autofill button is pressed after the preset water level is reached, bathtub filling continues.


To adjust water level on the P220, call an Arjo service technician.

The P300 has three different Autofill levels, Low, Normal and High. The preset level is Normal. (See Fig. 3)

To change between autofill levels, follow instructions below (P300 only).

Normal level

(preset, 30 s over the top sensor)

- 1 Push the Autofill button
- 2 The display shows: 

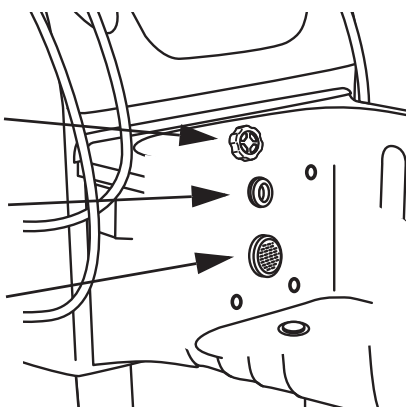
After 8 s the filling water temperature is shown and no more level adjustments are possible.

Fig. 3


High
Level

Normal
Level


Low
Level



Low level (preset, minus 20 s below the top sensor)

- 1 Push Autofill button
- 2 Push the minus (-) button
- 3 The display shows: 
- 4 After 8 s the filling water temperature is shown and no more level adjustments are possible.


High level (preset, 60 s over the top sensor)

- 1 Push autofill button
- 2 Push the plus (+) button
- 3 The display shows: 

After 8 s the filling water temperature is shown and no more level adjustments are possible.

Each level can be adjusted according to *Change Default Setting (P300 only)* on page 27.

Shower Handle

- Press the  Shower button to start the shower. The LED will turn green when active.
- Press the trigger on the shower handle to let water out.
- Hold the trigger in for constant water flow.

To get continuous water flow without having to hold in the trigger do as follow: **(See Fig. 1)**

- Press the trigger and push in the lock button on the side. The water will continue to flow without having to press the trigger.
- Release lock button by pressing the handle trigger and the lock button will pop up by itself.

The patient shower can not be activated during bathtub filling.

Shower/Disinfection System (UK market only)

For UK version MPA system will flush 24 h after last use.

Fig. 1 Lock Button

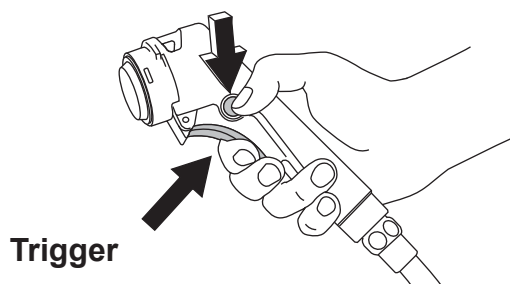
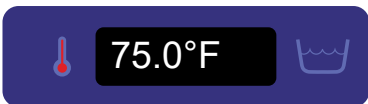


Fig. 1 *P220*
World



P220
USA



P220 Temperature Display

(See Fig. 1)

Temperature display

- Shows the current bathtub water temperature.

P300 Display

(See Fig. 2)

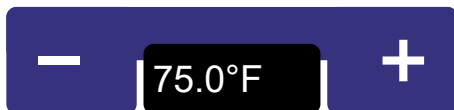
- Shows the preset autofill level first.
- Shows the active filling or shower temperature.
- Shows the current bathtub water temperature when filling and shower is not activated.
- During disinfection the display shows the temperature of the disinfectant.

Fig. 2

P300
World



P300
USA



Scalding Protection

WARNING

To prevent scalding if the scalding protection is activated, remove the patient from the bath immediately in a safe manner.

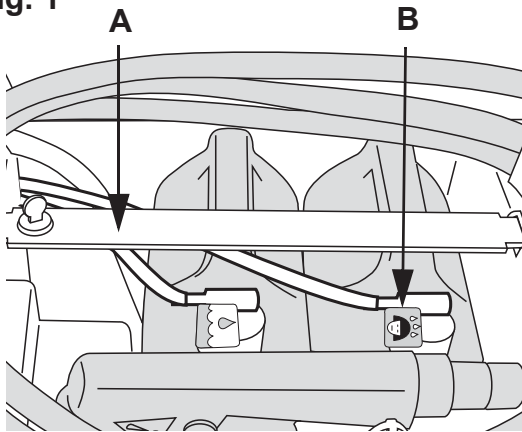
If a dangerous temperature level of 45 °C (113 °F) is reached, the scalding protection shuts off the water in less than 10 s.

- *P220* has a mechanical (calibration and mixer) scalding protection which disables high temperature settings.
- There is in addition to the mechanical scalding protection an electronic one equipped with two sensors. When scalding protection turns on, all the LEDs flash and a beeping sound will be heard.
- *P300* has an electronic scalding protection and is equipped with three sensors. The display shows **----** and a beeping sound will be heard. During this time the *P300* recalibrates.

Reset scalding protection (P220 only) (5 steps)

- 1 Make sure both LEDs at the Disinfection/Autoclean button and the Patient Shower button have stopped flashing.
- 2 Turn the knob on the thermostatic mixer to COLD.
- 3 Press the Tub Filling button and fill the bathtub until the temperature display shows 30-35 °C (86-95 °F).
- 4 Press the Shower button. Lift off the shower handle, direct it away from yourself down into the bathtub. Press the trigger on the shower handle.
- 5 Allow a few seconds for the water to reach correct temperature.

Fig. 1

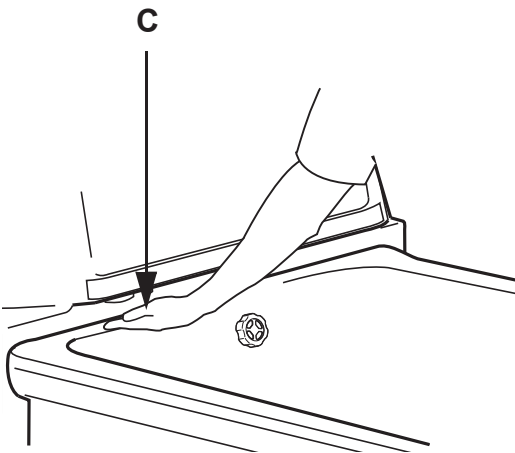


Reset scalding protection (P300 only) (4 steps)

P300 resets and recalibrates automatically.

- 1 Wait until the display indication **----** disappears.
- 2 Press the Tub Filling button until the display shows 30-35 °C (86-95 °F).
- 3 Press the Shower button. Lift off the shower handle, direct it away from yourself down into the bathtub. Press the trigger on the shower handle.
- 4 Allow a few seconds for the water to reach correct temperature.

Fig. 2




Shampoo/Body Wash (optional)

The Shampoo/Body Wash bottle is placed under the control panel lid and lock bracket (A). (See Fig. 1)

The bottle should be mounted to its corresponding treatment hose and bottle connection (B). (See Fig. 1)

Arjo recommends to use Arjo Care™ shampoo and body wash, a mild all-in-one soap.

- Press the  Shampoo / Body Wash button while holding your hand under the dispenser outlet (C). (See Fig. 2)


The P300 dosage time is preset but can be changed. See section *Change Default Setting (P300 only)* on page 27.

Bath Oil/ArjoSound™ Water Conditioner (optional)

The Bath Oil / ArjoSound water conditioner bottle is placed under the control panel lid and lock bracket (A). (See Fig. 3)

The bottle should be mounted to its corresponding treatment hose and bottle connection (B). (See Fig. 3)

Arjo recommends to use Arjo Oil™ as a bath oil or ArjoSound water conditioner if the bath comes with the Hydrosound system.

- Press the  Bath Oil / ArjoSound water conditioner button to dispenser directly into the bath water (C). (See Fig. 4)
- A bath system with the Hydrosound system has ArjoSound water conditioner instead of bath oil (Arjo Oil™).

The P300 dosage time is preset but can be changed. See section *Change Default Setting (P300 only)* on page 27.

Fig. 3

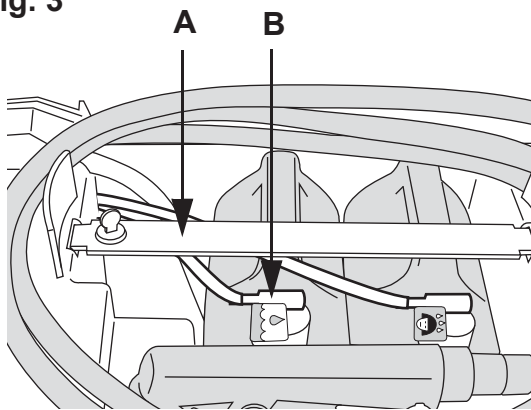
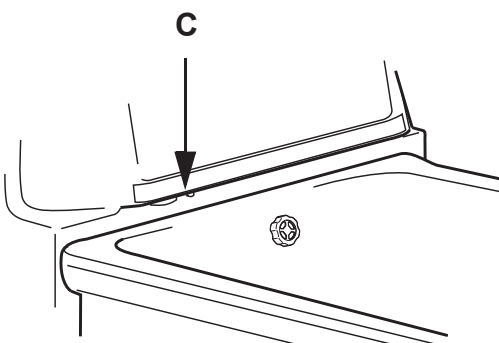


Fig. 4



Raise and Lower Bathtub

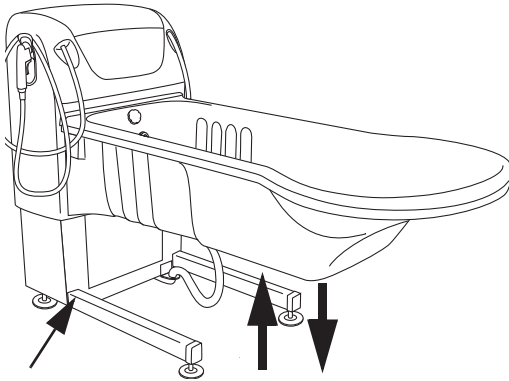
WARNING

To avoid entrapment of the patients or caregivers legs or feet, make sure that they are kept clear of all obstacles.



WARNING

To avoid the device in use from tipping, do not raise or lower other equipment close to it and be aware of stationary object when lowering.

Fig. 1



The bathtub can be raised and lowered for an ergonomic working height for the caregiver. (See Fig. 1)

- Raise the bathtub to a preferred height by pressing the  raise the bathtub button.
- Lower the bathtub to a preferred height by pressing the  lower the bathtub button.

Emergency Lowering (optional, not for UK market)

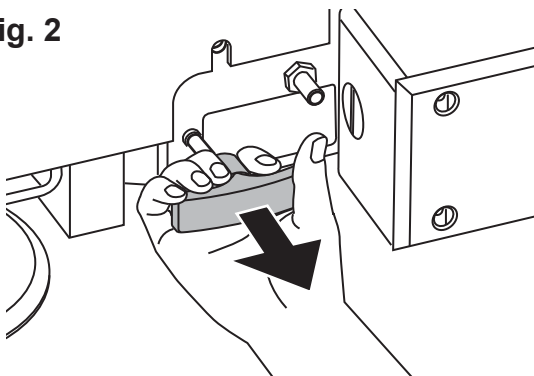
In case of a power failure were the bathtub needs to be lowered do as follows:

- Pull the emergency lowering handle on the bottom rear side of the panel. (See Fig. 2)
- The bathtub will move down as long as the handle is being pulled.

NOTE

If a buzzing sound is heard, the battery is low. Please contact your local Arjo service technician.

Fig. 2



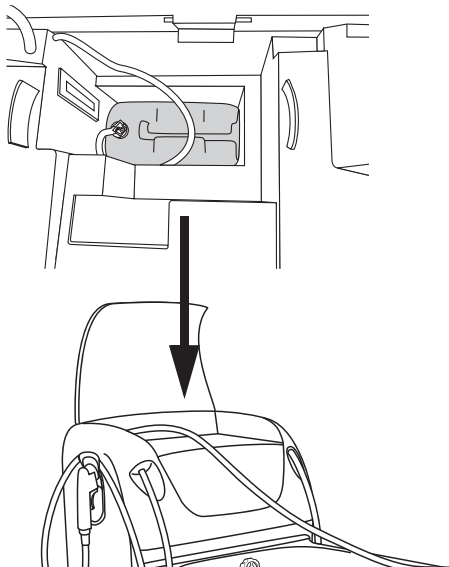
Disinfection Unit (optional)

The bath has a built-in disinfection unit. The disinfectant bottle is located under the control panel lid and under the shampoo and bath oil bottles. (See Fig. 3)

The disinfectant bottle cap is adjustable and regulates the disinfectant/water ratio.

Under the control panel lid, there is a disinfection spray handle and a flowmeter. The flow meter shows the liquid mix ratio between the disinfectant and water.

Fig. 3



Continue with the steps on the next page.

To use the disinfectant, see section *Cleaning and Disinfection Instructions* on page 40.

- The LED will turn green when active.
- The disinfection will only turn on if all other functions are turned off and there is no water in the bathtub.
- If the disinfectant bottle is empty on the *P300*, all the LED's will start flashing when pressing the disinfection button. A 5 s long beeping sound will be heard and it is not possible to disinfect the bath. The display will show **STOP**.
- Replace with a full disinfection bottle and try again (see section *Replace Disinfectant Bottle (System 2000 bath with disinfection option only)* on page 42).
- *P300* has automatic disinfection for the *Hydromassage* system (*P220* optional).

Pillow

The pillow is adjustable and attaches to the bathtub with suction cups located on the backside of the pillow. (See Fig. 1)

- Wet suction cups improve the grip.
- Place the pillow in a most convenient and supportive possible way for the patient.

Foot Support

The foot support is adjustable and can be placed in three different positions, depending on the patient's length. (See Fig. 2)

- Place the foot support in one of the three slots. For *Primo® Ferro* snap it in place.

Toiletry Tray (optional)

The tray can be hung on the side of the bathtub rim. It can be used to keep bathing utensils near by. Adjust the support as necessary. (See Fig. 3)

Hot Water Flush (Kit)

Refer to separate Hot Water Flush Kit P300.

Fig. 1

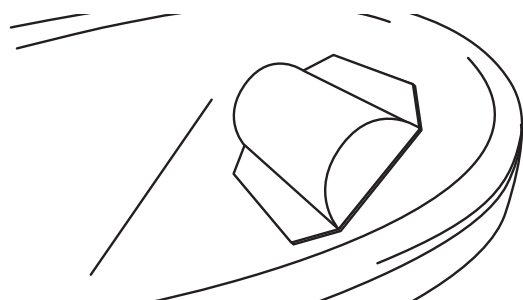


Fig. 2

Rhapsody®
Primo®
Harmonie™

Primo® Ferro

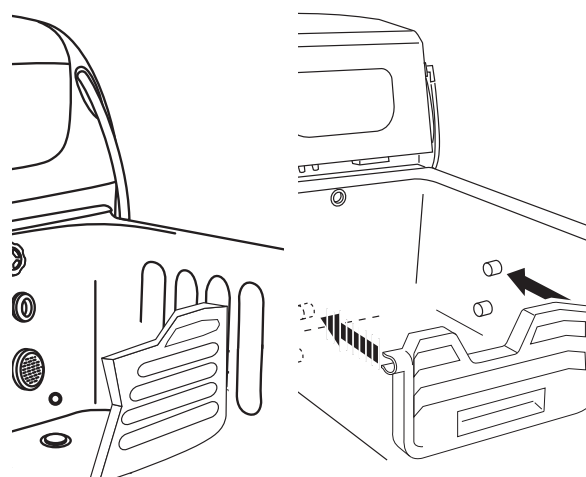
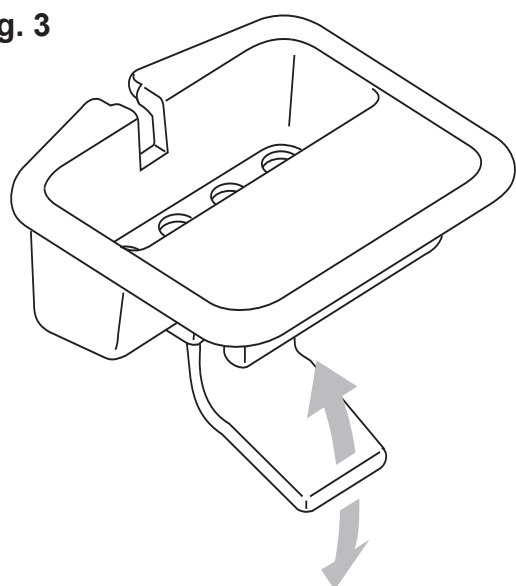


Fig. 3



Hydromassage System

WARNING

To avoid hair entrapments under water, always install the *Hydromassage* system suction cover before use.

CAUTION

Turn the hydromassage water intensity knob clockwise at highest intensity in order to prevent water leakage on the floor. The leakage occurs from the built-up water pressure in the *Hydromassage* system. (See Fig. 2)

Fig. 1

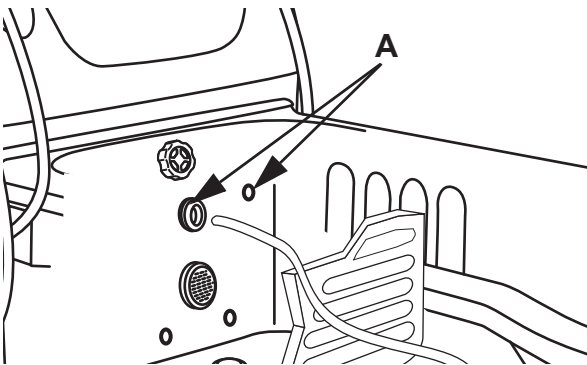


Fig. 2

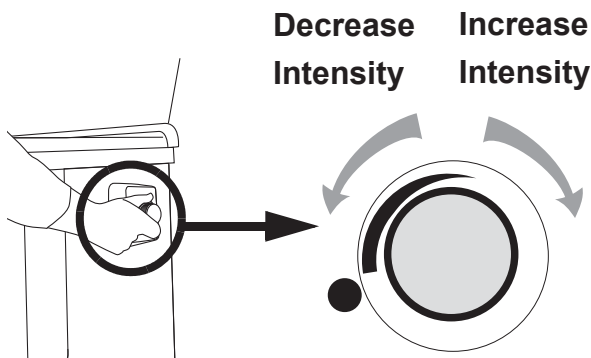
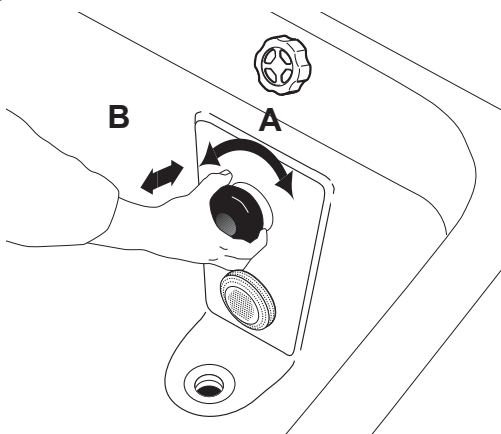



Fig. 3



Use Hydromassage™ System

(12 steps)

- 1 Fill the bathtub with water at desired temperature over the *Hydromassage* system outlet and top sensor (A). (See Fig. 1)
- 2 Start the hydromassage by pressing the  *Hydromassage* system button on the control panel.
- 3 The default runtime is 15 minutes after which the hydromassage will automatically end. Wait 15 minutes to restart.
 - During the 15 minutes of runtime, the hydromassage can be stopped at any time by pressing the *Hydromassage* system button.
 - Always turn the *Hydromassage* system off when finished.
- 4 The water flow is adjustable with the knob located on the upper right side of the bathtub. (See Fig. 2)
 - Start at a **low intensity** by turning the knob **counter clockwise**.
 - **Increased intensity** of the water flow by turning the knob **clockwise**.
- 5 Adjust the direction of the water-jet by turning the *Hydromassage* system outlet (A). (See Fig. 3)
 - Remove the adjustable *Hydromassage* system nozzle (B) if you want the jet to cover a wider area (just pull it out). (See Fig. 3)
- 6 When finished the hydromassage, turn the *Hydromassage* system off by pressing the *Hydromassage* system button.

Continue with the steps on the next page.

Fig. 4

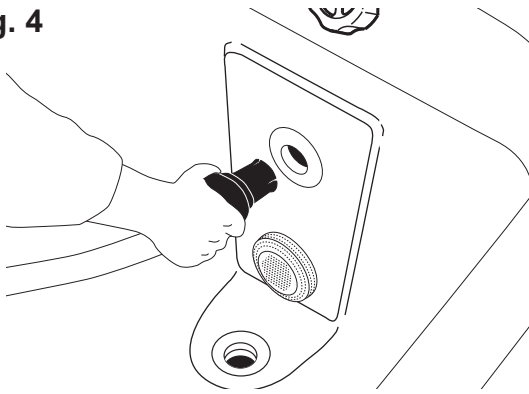


Fig. 5

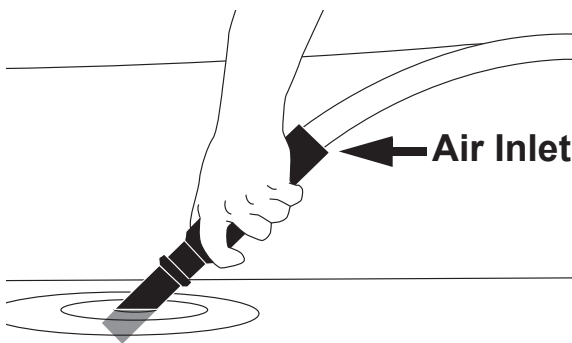


Fig. 6

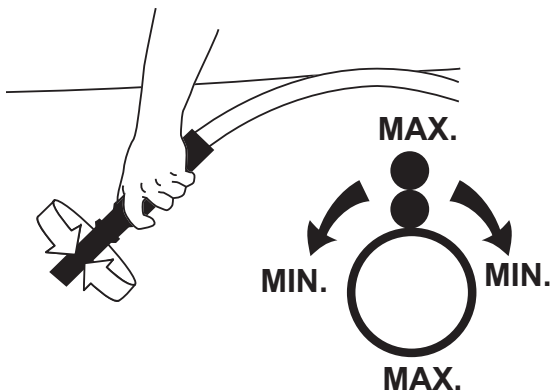
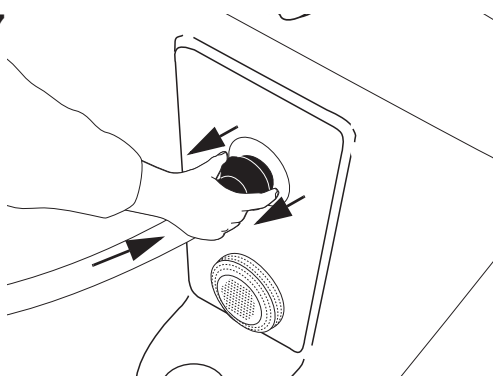


Fig. 7



Continue Hydromassage with Treatment Hose (optional)

- 7 If hydromassage is turned on, stop it by pressing the *Hydromassage* system button before the treatment hose is connected.
 - Remove the *Hydromassage* system nozzle (just pull it out).
 - Connect the treatment hose to the quick coupling device in the bathtub. (See Fig. 4)
 - The treatment hose and the built-in jet within the bathtub cannot be used simultaneously.
- 8 Direct the treatment hose nozzle into the water. Make sure the air inlet is above the water surface. (See Fig. 5)
- 9 Hydromassage from the treatment hose starts when the *Hydromassage* system button on the control panel is pressed.
- 10 To adjust the jet stream intensity, turn the outermost part of the treatment hose nozzle. (See Fig. 6)
 - When the two dots on the nozzle are aligned, the jet stream is at its highest intensity.
 - When turning the nozzle 90°, the jet stream intensity decreases.
 - When turning the nozzle additional 90°, the jet stream intensity increases and so on.
- 11 When finished the hydromassage, turn the *Hydromassage* system off by pressing the *Hydromassage* system button.
- 12 Remove the treatment hose from the quick coupling device by pushing in the treatment hose while pulling the treatment hose bracket back. (See Fig. 7)

Hydrosound System

The Hydrosound® system is a method of cleaning patient by means of low frequency and low intensity ultra sound. Working together with water, it is an effective and skin friendly method of cleaning the skin.

The amount of time and intensity setting used for the *Hydrosound* system cleaning is a matter of choice consistent with the degree of patient cleanliness required and patient comfort. The longer the time of exposure and the greater the intensity setting, the more efficient the cleaning will be.

For patients experiencing *Hydrosound* system cleaning for the first time, it is recommended that the intensity is set at the lower levels before using the higher intensity settings.

WARNING

To avoid injury, never use the *Hydrosound* system function when pregnant.

WARNING

To avoid damage to hearing, make sure to keep the patients head above water when using the *Hydrosound* system.

Use Hydrosound® System

(10 steps)

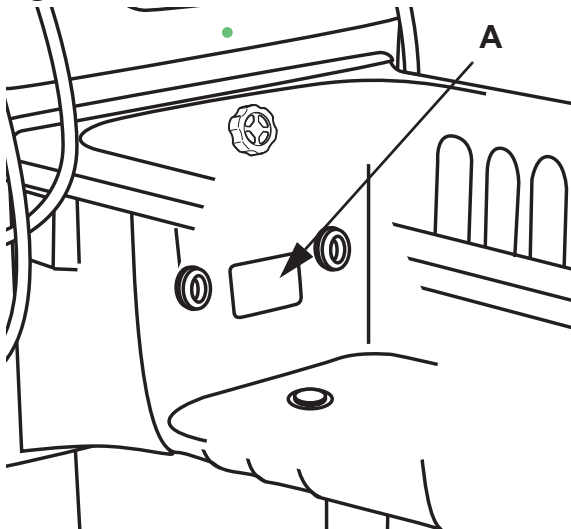
Before starting the *Hydrosound* system:

- 1 Fill the bathtub with water. Make sure that the water level covers the top of the *Hydrosound* system Transducer Plate (A). (See Fig. 1)
- 2 Check the water temperature by hand to make sure it is not too cold or hot.

CAUTION

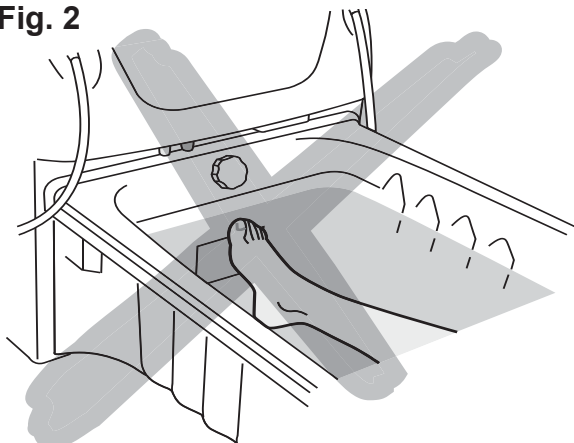
Only use *ArjoSound* water conditioner with the *Hydrosound* system. Do not use bath oils and other skin conditioners with the *Hydrosound* system as they may inhibit the ultra sound pressure waves.

Fig. 1



Continue with the steps on the next page.

Fig. 2

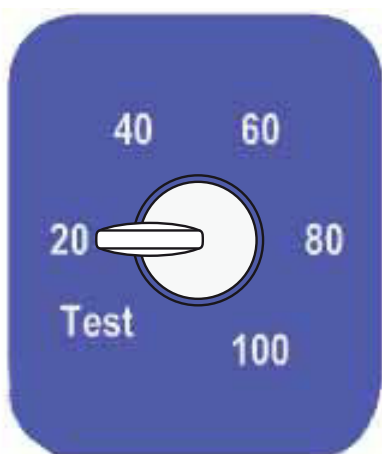


- 3 Add *ArjoSound* water conditioner by pressing the *ArjoSound* water conditioner button on the control panel and check that the conditioner mixes into the water.

WARNING

To avoid burns, avoid continuous contact with the *Hydrosound* system transducer plate while in operation. (See Fig. 2)

Fig. 3



- 4 Start the *Hydrosound* system by pressing the *Hydrosound* system button on the control panel. The default runtime is 15 minutes after which the *Hydrosound* system will automatically end. Wait 15 minutes to restart.
- 5 Stop the *Hydrosound* system at any time by pressing the *Hydrosound* system button again.
- 6 On *P220*, it is possible to select different intensity levels by turning the knob on the upper right side of the bathtub. (See Fig. 3)

- The intensity is increased by turning the knob clockwise. On *P300* select intensity by pressing the, plus (+) and minus (-) on the display. (See Fig. 4)

- The levels 20, 40, 60, 80 or 100 mW/cm² and test can be chosen step by step.

- 7 The LED (A) on *P220* or the LED (B) on the *Hydrosound* button on *P300* will show a steady green light and a buzzing sound from the transducer plate will be heard when any active level is selected. (See Fig. 5)

- The buzzing sound will increase with each higher level.

- 8 The test level is used to check the intensity level of the *Hydrosound* and to make sure it's in its specific range. If it passes the test it turns itself off and the *Hydrosound* system needs to be restarted.

- *P300* will get a TEST text in the display.

- 9 If it fails the test, the *P220* will flash a yellow light when in test mode. The *P300* will show -04- in the display as an error. Contact an Arjo service technician if it fails the test.

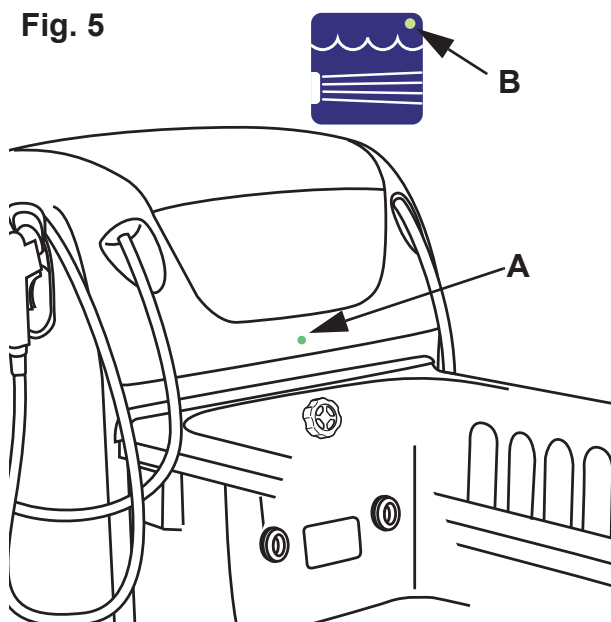
- The same yellow light will flash in normal mode if problem occurs while using the *Hydrosound* system.

- 10 When finished, press the *Hydrosound* system button to stop.

Fig. 4



Fig. 5



Sound & Vision System

The Sound & Vision® system is a pleasant colourful underwater lighting and soft music stimulus which enhances the benefits of bathing. It calms a stressed or anxious patient.





The *Sound & Vision* system can be combined with still bath, *Hydromassage* system or the *Hydrosound* system.

WARNING


To avoid electric shock, only use the USB memory stick in the connector on the bath.

Use Sound & Vision System

(4 steps)

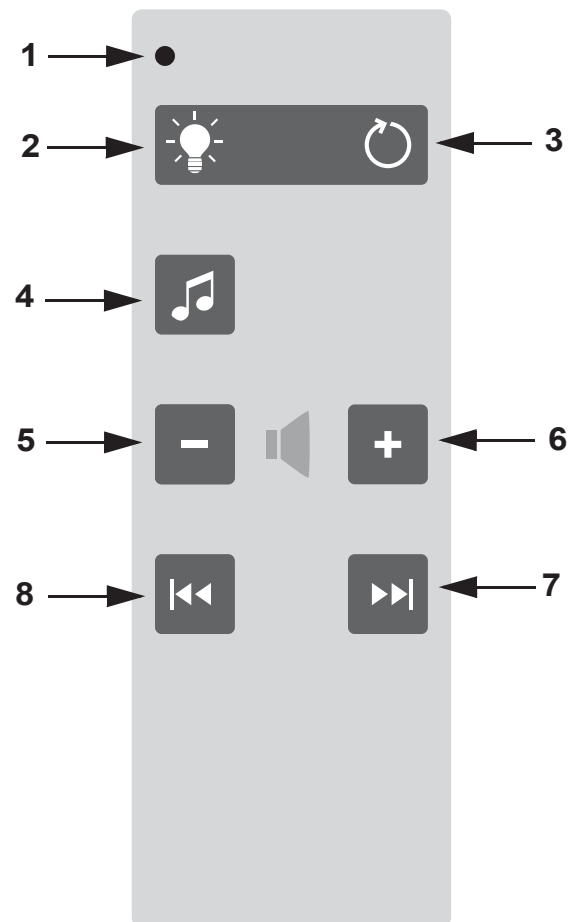
- 1 To activate the *Sound & Vision* system:
 - Start by opening the control panel lid.
 - Then, unscrew the black cap counter clockwise to get to the USB outlet.
 - Plug in the *Sound & Vision* system memory stick.
- 2 Press the  MP3 button on the hand control to start the music. Only MP3 files can be read and only files from the root (not in “folders”).
 - the *Sound & Vision* system always starts of at a very low volume. Use the volume buttons to adjust volume to desired level.
 - the *Sound & Vision* system hand control LED flashes when active.
- 3 Press the  *Sound & Vision* system light button on the hand control to get colored light in the bathtub.
 - Press the  one more time to change light colour.
 - Choose between red, green, blue, pink and yellow.
- 4 To start a rotation of different light colours press the  automatic light colour change button.
 - Press the button for 2 s to turn the light off.

NOTE

The music function will stop automatically 30 minutes after activation. Press the  MP3 player button on the hand control for continued listening.

Sound & Vision System Hand Control
















- 1 LED - activity indicator
- 2 *Sound & Vision* system Light - ON/OFF
- 3 Automatic light colour change - ON/OFF
- 4 MP3 player ON/PAUSE
- 5 Reduce (-) volume.
- 6 Increase (+) volume
- 7 MP3 track forward
- 8 MP3 track reverse



Change Default Setting (P300 only)

(4 steps)

- 1 To change the default setting, press the hidden button and one of the function buttons (see section *Control Panels on page 12*). Press the two buttons simultaneously for at least 2 s. When pressing the hidden button a beep will be heard.
- 2 To toggle between two settings press the hidden button.
- 3 Adjust values with the plus (+) and minus (-) buttons.
- 4 Press the selected function button to confirm the setting before continuing.

Function Button	Alternative Settings (Display Code)	Settings Interval (Preset)	Default values
Filling 	   	Filling temp. 18-43 °C (Europe, Japan) Filling temp. 64-109 °F (USA) Filling time can be changed to / from -200 (which is 20 s from the bottom) to filling time up to 500 s. Each level can be adjusted individually. The levels depend on the water pressure.	37 °C (Europe, Japan) 99 °F (USA) 60 s High 30 s Normal -20 s Low
Showering 		Shower temp. 18-42 °C (Europe, Japan) Shower temp. 18-41 °C (UK) Shower temp. 64-108 °F (USA)	37 °C (Europe, Japan) 37 °C (UK) 99 °F (USA)
Disinfect 		Disinfect. temp. 20-40 °C (Europe, Japan) Disinfect. temp. 68-104 °F (USA)	25 °C (Europe, Japan) 77 °F (USA)
Bath Oil  ArjoSound water conditioner		Preset Bath Oil/ <i>ArjoSound</i> water conditioner dosage time within 1 to 5 s If set to 0 s, the dosage will continue as long as the Bath Oil/ <i>ArjoSound</i> water conditioner button is pressed. 1 s = 4 ml Bath Oil/ <i>ArjoSound</i> water conditioner	3 s (12 ml)
Shampoo 		Preset shampoo dosage time within 1 to 5 s If set to 0 s, the dosage will continue as long as the Shampoo button is pressed. 1 s = 4 ml Shampoo	3 s (12 ml)
Hydrosound System 		Preset the <i>Hydrosound</i> system intensity 20, 40, 60, 80 or 100 mW/cm ²	60 mW/cm ²

Bathe Patient using a Lift Hygiene Chair

Preparations for Bath

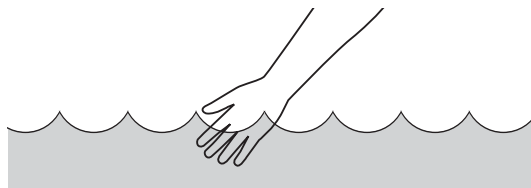
(5 steps)

Alenti, Calypso and Combilift are the recommended Arjo lift hygiene chairs that can be used with the *System 2000* bath.

See *Alenti, Calypso and Combilift IFU* before use.

- 1 Lower the bathtub to lowest height. (See Fig. 1)
- 2 Press the Autofill button to fill the bathtub. Select Autofill level on P300. (See section *Product Description/Functions* on page 16.)

3 **WARNING**

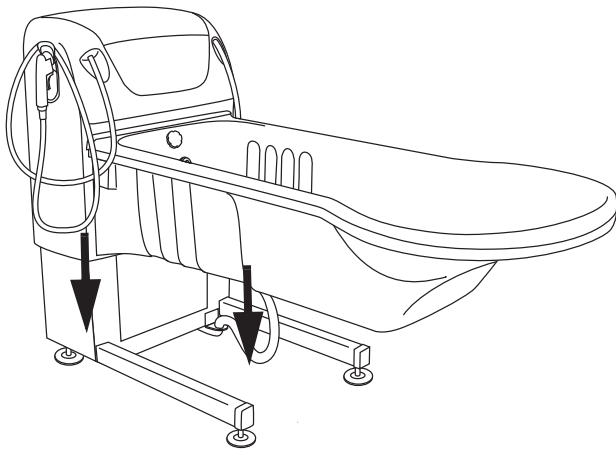


To prevent scalding, always check the water temperature with your naked hand before directing the water on the patient. Do not use gloves as it may insulate to the extent that the water temperature can be misjudged. Point the flow of the water away from the patient.

Place your naked hand in the water stream and make sure the water temperature is not too hot or too cold.

- **P220:** The display will oscillate in the beginning of the filling. Wait until the desired water temperature is reached on the display. If needed, adjust the temperature with the temperature knob.
 - **P300:** The display will flash the current temperature until the preset temperature is reached. If needed, adjust the temperature with the plus (+) and minus (-) buttons.
- 4 Close the drainage plug and attach the pillow.
 - 5 Additional filling is achieved by continuously pressing the Autofill button.

Fig. 1



Transfer and Bathe Patient

(13 steps)

- 1 Undress the patient and cover him or her with towels to keep warm.
- 2 A sitting patient can be transferred from their bed or wheelchair into the bath with a lift hygiene chair. (See Fig. 1)

3 **WARNING**

To avoid entrapment, make sure to keep the patients hair, arms and feet close to the body and use designated grab supports during any movement.

Transfer the patient to the bath.

- 4 Position lift hygiene chair diagonally to the side of the bath with sufficient sideways clearance. (See Fig. 2)

5 **WARNING**

To avoid entrapment or pinching of genitals, make sure there is enough clearance during movement over the tub edge, toilet, bedpan or other furniture.

Raise the lift hygiene chair to where it and any genitals clears the bathtub rim.

6 **WARNING**

To avoid entrapment of the patients or caregivers legs or feet, make sure that they are kept clear of all obstacles.

Move the lift hygiene chair towards the bath and help the patient to move his or her legs over the bathtub rim while rotating the lift in place. Let the patient feel the water with his or her legs. Adjust temperature, if needed. (See Fig. 3)

Continue with the steps on the next page.

Fig. 1

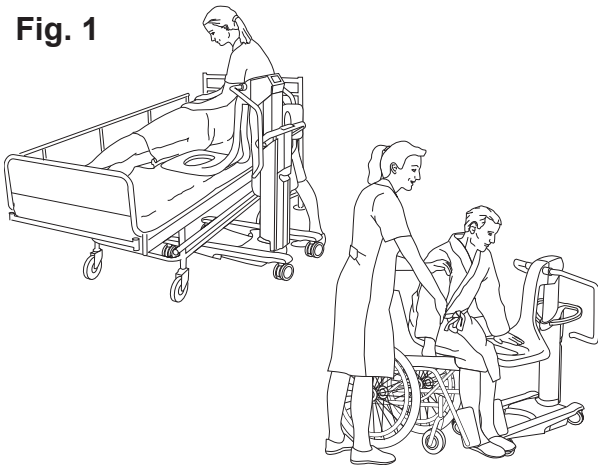


Fig. 2

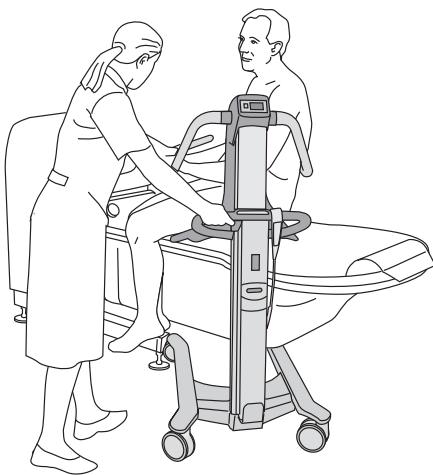


Fig. 3

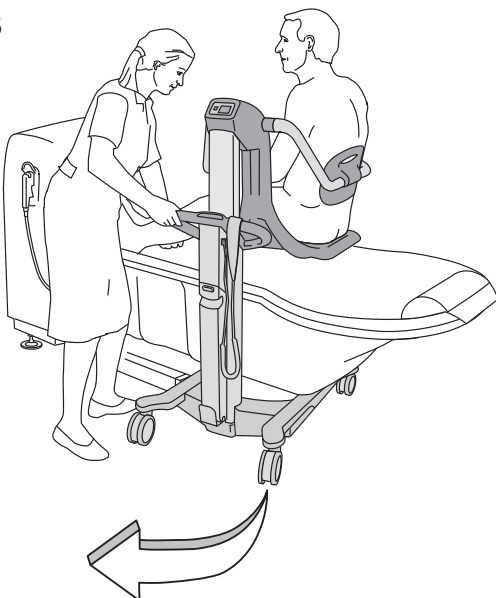
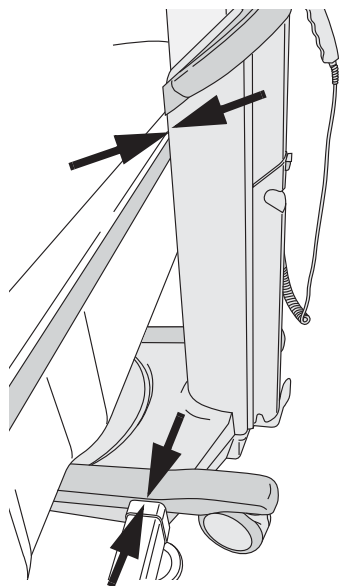
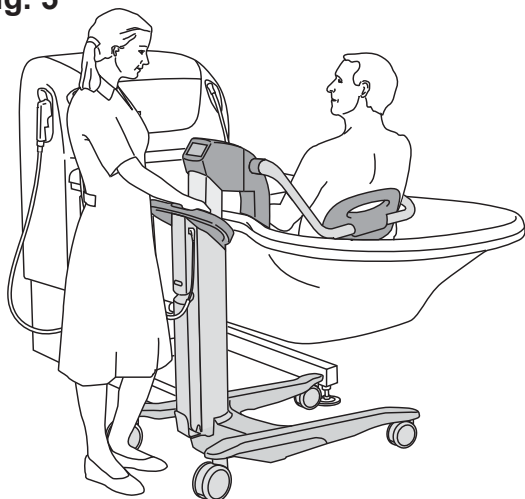


Fig. 4



- 7 Centre chair over the bathtub until it reaches a stop against the bath. Make sure the lift hygiene chair is docked against the bath legs and the bathtub rim. (See Fig. 4)

Fig. 5



- 8 Adjust the lift hygiene chair to an ergonomic working height. (See Fig. 5)

9 **WARNING**

To avoid entrapment or pinching of genitals, make sure there is enough clearance during movement over the tub edge, toilet, bedpan or other furniture.

Raise the bath, but make sure that there is enough room for body parts between the bottom of the bath and the seat.

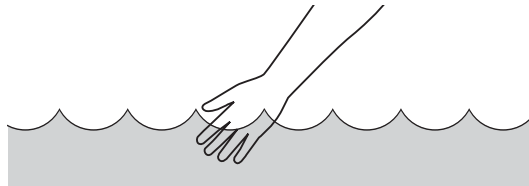
- 10 If the patient desires and is capable, there is the option of folding away the back rest.
 - Lean the patient forward and place their hands on the driving handle.
 - Then move the back rest up and out of the way, thus allowing the patient to recline against the back of the bathtub and pillow.
- 11 Attach the foot support if needed.
- 12 Bathe the patient.
- 13 Use the *Hydromassage*, *Hydrosound* or *Sound & Vision* system, if available.

Shower Patient

(14 steps)

- 1 After bathing, open the drain and let the water run out.
- 2 Let the patient place their hands on the driving handle and lean forward. Move the back rest to its original position.
- 3 Make sure that the patient keeps holding on to the driving handle.
- 4 To separate the chair seat from the bottom of the bathtub, lower the bathtub to its lowest height or raise the lift hygiene chair.
- 5 Lift off the shower handle, hold it over the bathtub.
- 6 Press shower button on the control panel (the LED lights up green when active).
- 7 Direct the shower handle away from the patient.

8 **WARNING**



To prevent scalding, always check the water temperature with your naked hand before directing the water on the patient. Do not use gloves as it may insulate to the extent that the water temperature can be misjudged. Point the flow of the water away from the patient.

Press the trigger on the shower handle and direct the water stream away from the patient. Place your naked hand in the water stream and make sure the water temperature is not too hot or too cold.

Continue with the steps on the next page.

Fig. 1

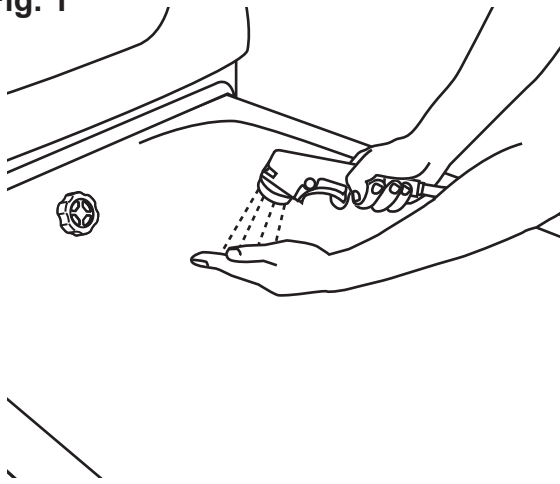


Fig. 2



- 9
 - **P220:** Check the water temperature by placing your naked hand in the water stream. **(See Fig. 1)**
If needed, adjust the temperature with the temperature knob.
 - **P300:** The display shows the temperature value. Allow a few seconds for the water to reach the preset temperature. Check the temperature setting on the display. If needed, adjust the temperature on the control panel with the plus (+) and minus (-) buttons.
- 10 Let the patient to feel the water by hand before directing the water stream on the patient. Adjust water temperature, if needed.
- 11 To keep the trigger handle in for a longer period of time, activate the lock button by pushing it in. To unlock, push the trigger handle.
- 12 Shower the patient. **(See Fig. 2)**
- 13 To stop the shower, press the shower button on the control panel again.
- 14 Make sure the shower trigger is unlocked before placing the shower handle back into the holder.

Fig. 1



Fig. 2

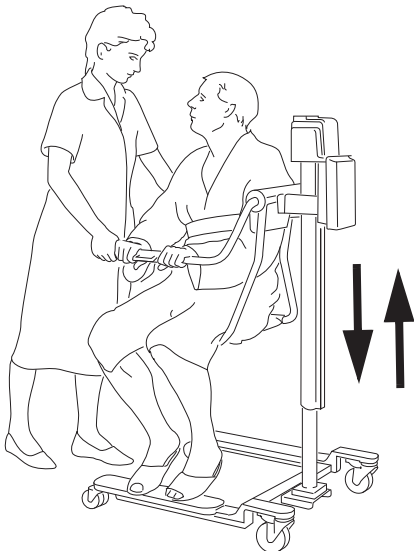
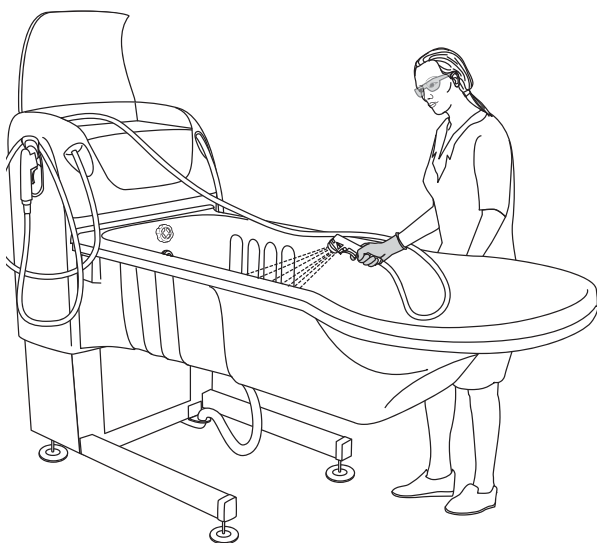


Fig. 3



End the Bath

(9 steps)

- 1 Dry the patient, as well as the underside of the seat, to prevent water from dripping on the floor.
- 2 Place one or two towels on the patient or a bathrobe, if possible, to keep him or her warm.
- 3 Lower the bathtub to its lowest height.

4 **WARNING**

To avoid entrapment or pinching of genitals, make sure there is enough clearance during movement over the tub edge, toilet, bedpan or other furniture.

Raise the hygiene chair to where it and any genitals clears the bathtub rim.

- 5 Help the patient to move his or her legs over the edge of the bathtub while rotating the lift away from the bathtub. Make sure there is sufficient sideways clearance between the bathtub and lift hygiene chair. **(See Fig. 1)**
- 6 Lower the lift hygiene chair.
- 7 Dry the remaining wet body areas.
- 8 Adjust the lift hygiene chair to an ergonomic transfer height for the caregiver. **(See Fig. 2)**
- 9 When transferring the patient straight from the bathtub to bed, put a towel on the bed under the lift hygiene chair seat to avoid making the bed wet. Dry the patient thoroughly when lying down in bed.

Disinfect After Each Patient

(1 step)

- 1 Make the bath ready for the next patient. The bath and lift hygiene chair must be fully disinfected after each use to prevent cross contamination. See section *Cleaning and Disinfection Instructions* on page 40. **(See Fig. 3)**

For *Alenti Disinfection*, see *Alenti IFU*.

Bathe Patient using a Lift Bath Trolley

Miranti and *Bolero* are the recommended Arjo lift bath trolleys that can be used with the *System 2000* bath.

Compatible with bath sizes: 1870 mm (73 5/8"), 1900 mm (75"), 2120 mm (83 1/2") and 2150 mm (85").

See *Miranti* and *Bolero* IFU before use.

Preparations for Bath

(7 steps)

- 1 Lower the bath to its lowest height. (See Fig. 1)
- 2 Remove the foot support and the pillow.

CAUTION

To prevent equipment damage when using a lift bath trolley, the foot support and pillow must be removed.

- 3 Press the Autofill button to fill the bathtub with water. Select autofill level on *P300* (see section *Product Description/Functions* on page 16).

4 WARNING

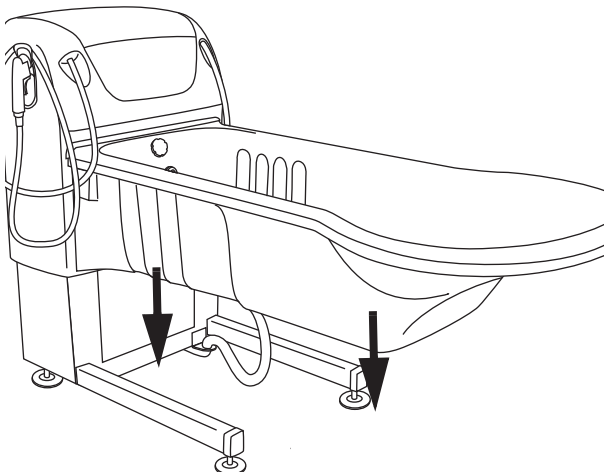


To prevent scalding, always check the water temperature with your naked hand before directing the water on the patient. Do not use gloves as it may insulate to the extent that the water temperature can be misjudged. Point the flow of the water away from the patient.

- 5 Place your naked hand in the water stream and make sure the water temperature is not too hot or too cold.
 - **P220:** The display will oscillate in the beginning of the filling. Wait until the desired water temperature is reached on the display. If needed, adjust the temperature with the temperature knob.

Continue with the steps on the next page.

Fig. 1



- **P300:** The display will flash the current temperature until the preset temperature is reached. If needed, adjust the temperature with the plus (+) and minus (-) buttons.

- 6 Close the drainage plug.
- 7 Additional after filling is achieved, by continuously pressing the Autofill button.

Transfer and Bathe

(13 steps)

- 1 A bedridden patient can be transferred from bed with the help of a *Miranti* lift bath trolley.
- 2 Undress the patient and cover him or her with towels to keep warm.
- 3 Position the lift bath trolley behind and to the side of the bath.
- 4 Raise the lift bath trolley stretcher up in order to clear the edge of the bathtub. (See Fig. 1)
- 5 Move the lift bath trolley with patient diagonally in over the bathtub. (See Fig. 2)

Fig. 1

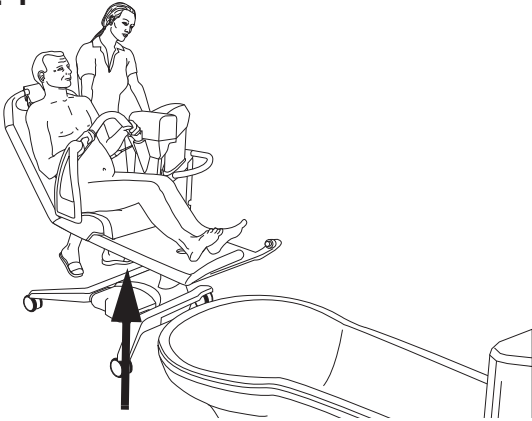
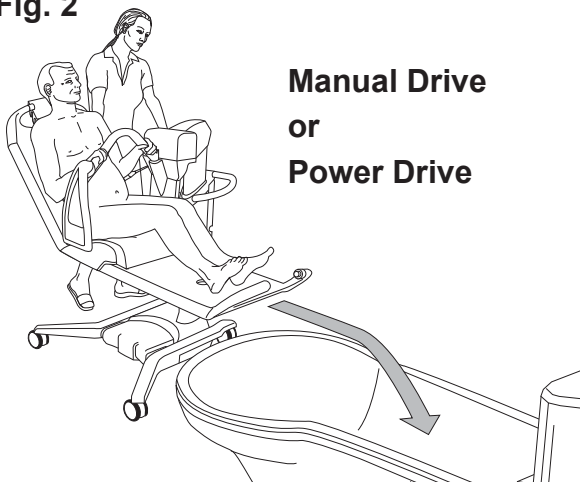
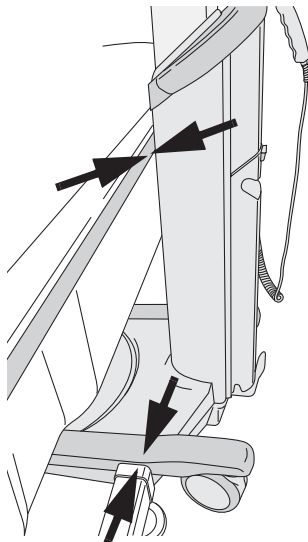


Fig. 2



- 6 Move the trolley centrally over the bathtub until it reaches a stop against the bathtub legs and rim. (See Fig. 3)

Fig. 3

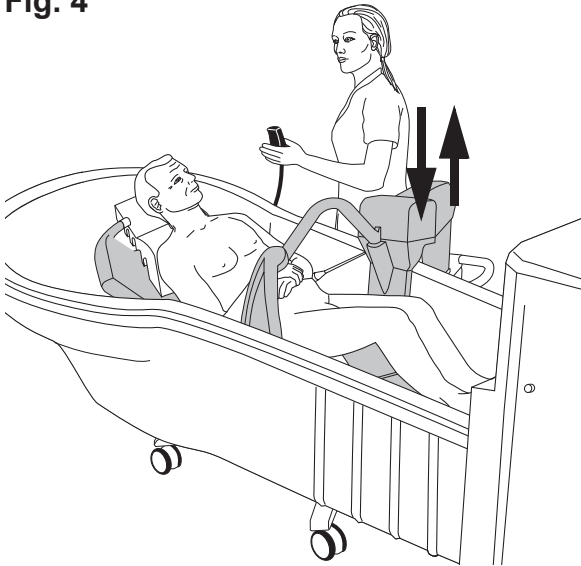


CAUTION

To prevent damage to the equipment, make sure the “Duck Foot” bath legs go underneath the lift bath trolley chassis.

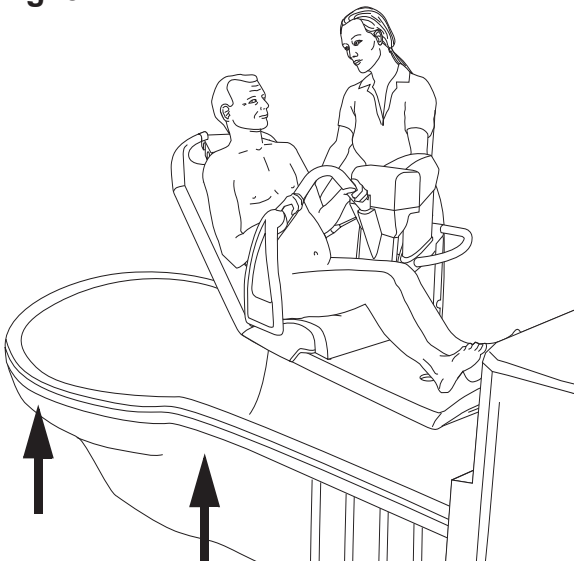
Continue with the steps on the next page.

Fig. 4



- 7 Make sure the stretcher is centred over the bathtub.
- 8 Adjust the lift bath trolley to an ergonomic working height. (See Fig. 4)

Fig. 5



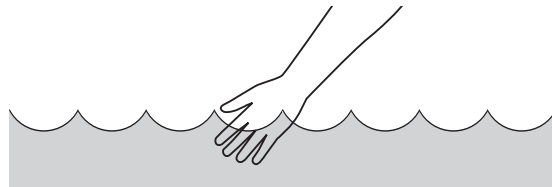
- 9 Raise the bath so that the stretcher is touching the bottom of the bathtub. (See Fig. 5)
- 10 Lower the back rest to a comfortable position for the patient.
- 11 Attach the foot support if needed.
- 12 Bathe the patient.
- 13 Use the *Hydromassage*, *Hydrosound* or *Sound & Vision* system, if available.

Use the Shower

(13 steps)

- 1 After bathing, open the drain and let the water run out.
- 2 Raise the back rest and let the patient place their hands on the security grip.
- 3 To separate the stretcher from the bottom of the bathtub, lower the bathtub to its lowest height or raise the lift bath trolley.
- 4 Grab shower handle, hold it over the bathtub.
- 5 Press shower button on the control panel (LED lights up green when active).
- 6 Direct the shower handle away from the patient.

7 **WARNING**



To prevent scalding, always check the water temperature with your naked hand before directing the water on the patient. Do not use gloves as it may insulate to the extent that the water temperature can be misjudged. Point the flow of the water away from the patient.

Press the trigger on the shower handle and direct the water stream away from the patient. Place your naked hand in the water stream and make sure the water temperature is not too hot or too cold.

- 8
 - **P220:** Check the water temperature by placing your naked hand in the water stream. If needed, adjust the temperature with the temperature knob. (See Fig. 1)
 - **P300:** The display shows the temperature value. Allow a few seconds for the water to reach the preset temperature. Check the temperature setting on the display. If desired, adjust the temperature on the control panel with the plus (+) and minus (-) buttons.

Continue with the steps on the next page.

Fig. 1

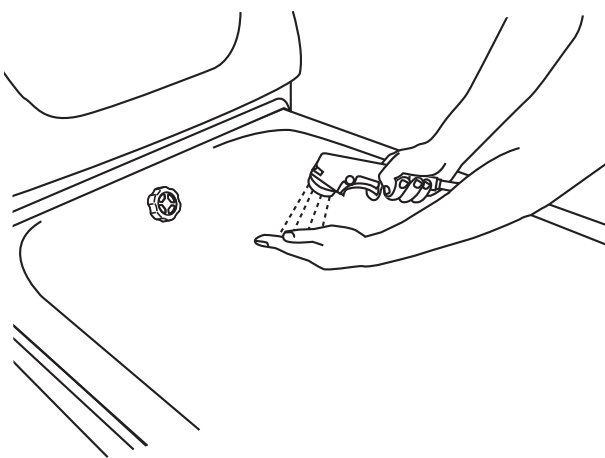
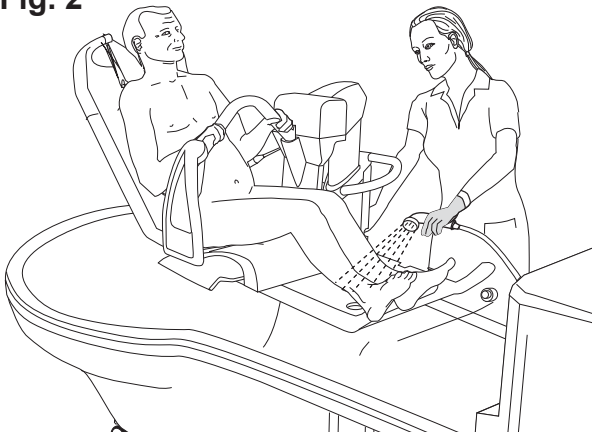
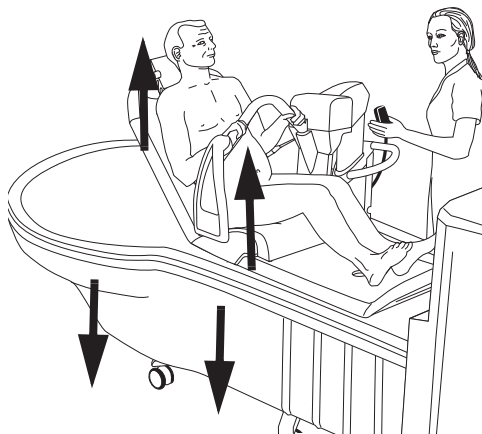


Fig. 2



- 9 Let the patient to feel the water by hand before directing the water stream on the patient. If needed, adjust water temperature.
- 10 To keep the trigger handle in for a longer periods of time, activate the lock button by pushing it in. To unlock, push the trigger handle.
- 11 Shower the patient. (See Fig. 2)
- 12 To stop the shower press the shower button again.
- 13 Make sure the shower trigger is unlocked before placing the shower handle back into the holder.

Fig. 3

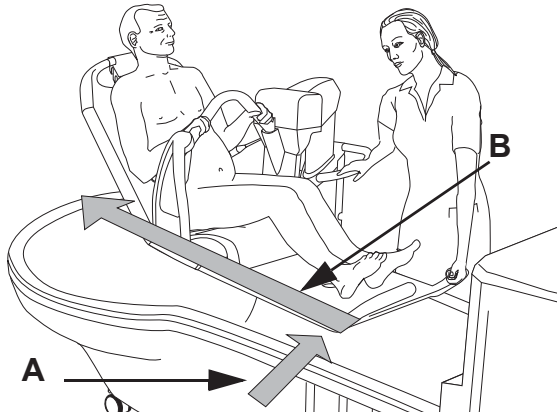


End the Bath

(6 steps)

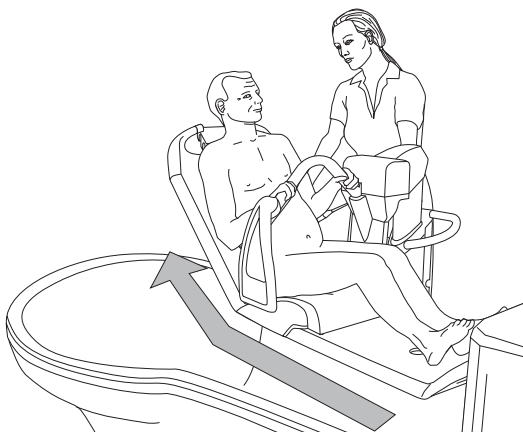
- 1 Dry the patient, as well as the underside of the stretcher, to prevent water from dripping on the floor.
- 2 Place one or two towels on the patient to keep him or her warm.
- 3 Lower the bathtub to lowest height and raise the stretcher. (See Fig. 3)

Fig. 4 Power Drive



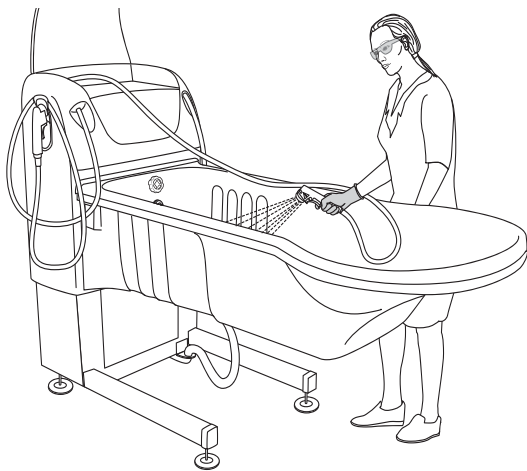
- 4 Manually pull the lift bath trolley out approximately 30 cm (1 foot) from the bathtub (A). Then activate the power drive on the handle bar at the foot end and move the lift bath trolley along the side of the bath (B). (See Fig. 4)

Fig. 5 Manual Drive



- 5 If there is no power drive, just pull the lift bath trolley away manually along the side of the bath. (See Fig. 5)
- 6 When moving the patient straight from the bath to bed, put a towel on the bed under the lift bath trolley stretcher at to avoid making the bed wet. Dry the patient thoroughly when lying down in bed.

Fig. 1



Disinfect After Each Patient

(1 step)

- 1 Make the bath ready for the next patient. The bath and the lift bath trolley must be fully disinfected after each use to prevent cross contamination. See section *Cleaning and Disinfection Instructions* on page 40. **(See Fig. 1)**

For cleaning and disinfection of the *Miranti* lift bath trolley, see the *Miranti* IFU.

Cleaning and Disinfection Instructions

Thorough disinfection routines are necessary to stop the build-up of bacteria on and in the equipment. This is particularly vital in cases where the *System 2000* bath is in a shared facility.

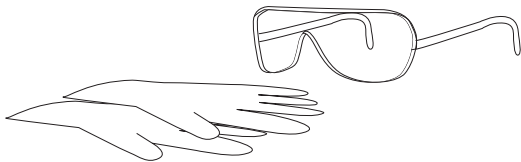
WARNING

To prevent cross-contamination, always follow the disinfection instructions in this *Instructions for Use*.

WARNING

To avoid eye or skin irritation, never disinfect in the presence of a patient.

WARNING



To avoid eye and skin damage, always use protective glasses and gloves. If contact occurs rinse with plenty of water. If eyes or skin becomes irritated, contact a physician. Always read the material safety data sheet of the disinfectant.

CAUTION

To avoid damage on the equipment only use Arjo branded disinfectants.

Arjo Disinfectants

For optimal performance only use Arjo Disinfectants. If you have any questions regarding disinfecting the equipment or wish to order disinfectant (see section *Parts and Accessories on page 69*), please contact your Arjo Customer Service located on the last page.

Accessories for Cleaning and Disinfection the System 2000 bath

- Protective glasses
- Protective gloves
- Disinfectant filled spray bottle or the disinfection spray handle.
- Water filled spray bottle or the shower handle
- Cloths – wet and dry
- Disposable towels
- Soft bristled brush
- Long handled soft bristled brush

Microbiological Formation Prevention

In order to enhance the on-site curative actions (chlorine or thermal shock), which do not guarantee a reduction of the contamination long term, make sure to follow the instructions below.

Installation precautions

In order to limit the growth of bacterial flora, it is necessary to take action at four levels:

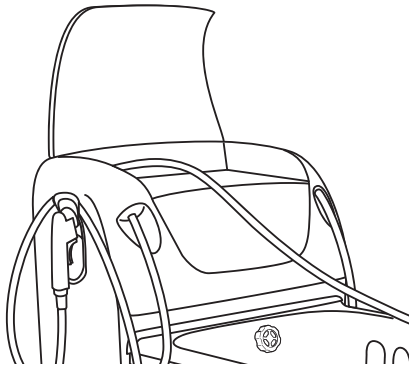
- Avoid stagnating water and make sure proper water circulation;
- Take precautions against the formation of scale and corrosion based on the water quality;
- Maintain a high water temperature all the way from the hot water dispenser to the different distribution pipes;
- Mix hot and cold water as close as possible to the point of use.

Use

- Make sure that the water circulates in the bath and the shower on a daily basis *even if the bathtub is not used*; and particular to make sure to remove any water that may be left behind in the hose.
- Let the water flow approximately 5 minutes before the first bath of the day.
- Clean and disinfect the bathtub according to the *IFU* before the first bath of the day and after the bath of each patient.

Do not forget to contact Arjo for the annual Preventive Maintenance visit.

Fig. 1



Replace Disinfectant Bottle (System 2000 bath with disinfection option only)

(12 steps)

WARNING

To prevent cross-contamination, always follow the disinfection instructions in this *Instructions for Use*.

- 1 Put on protective glasses and gloves.
- 2 Open the compartment for the disinfectant bottle. (See Fig. 1)
- 3 Remove bracket and shampoo/bath oil bottles, if any.
- 4 Disconnect the suction part from the disinfectant bottle. (See Fig. 2)
- 5 Discard the old bottle and replace with a new one.
- 6 Connect the suction part to the new bottle.
- 7 Grab the disinfection spray handle.
- 8 Press the disinfection button.
- 9 Adjust the water temperature until it reaches approximately 25 °C (77 °F) to eliminate disinfectant fumes.
- 10 Spray disinfectant in the bathtub. **Keeping an eye on the flowmeter (See Fig. 3).**
- 11 Check the liquid mix ratio on the flowmeter so that it is in accordance with the setting range stated in this *IFU*. (See Fig. 3)

Fig. 2

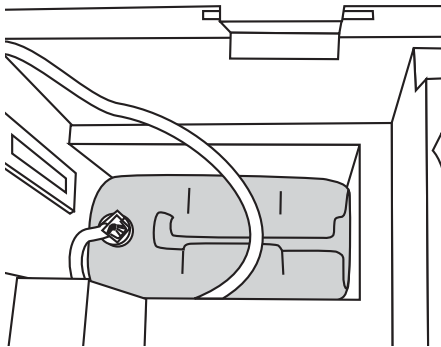
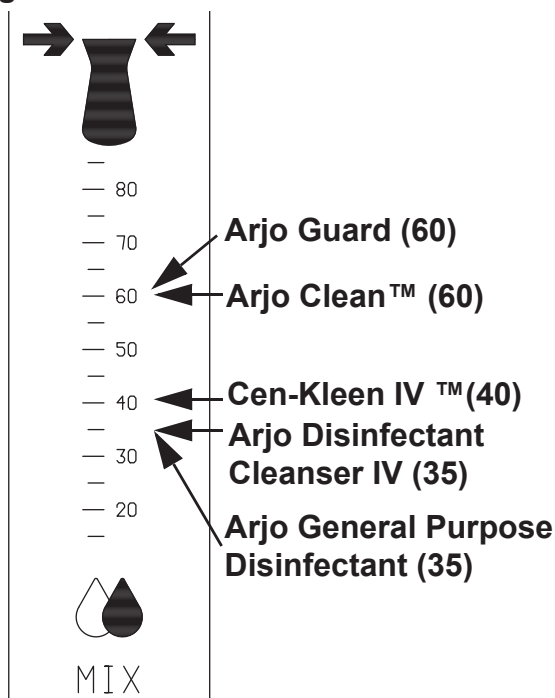
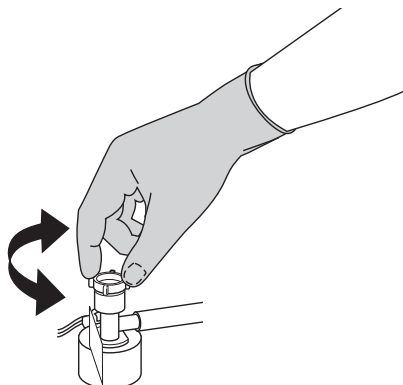


Fig. 3



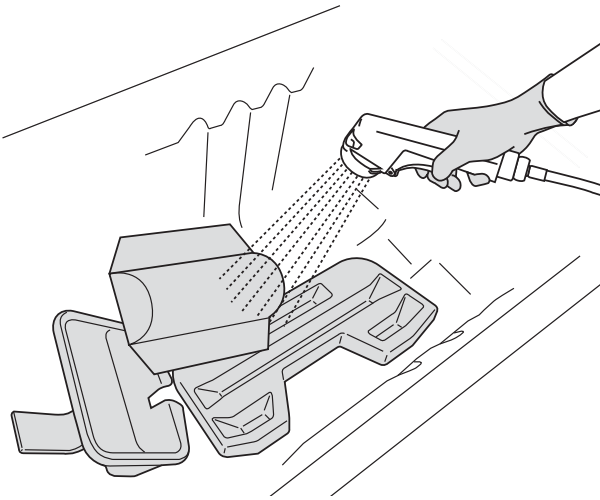
- 12 If necessary, adjust the bottle cap by hand to get the right mix ratio. (See Fig. 4)

Fig. 4



Clean and Disinfect with Disinfection Spray Handle (Still Bath and Hydrosound System) (38 steps)

Fig. 1



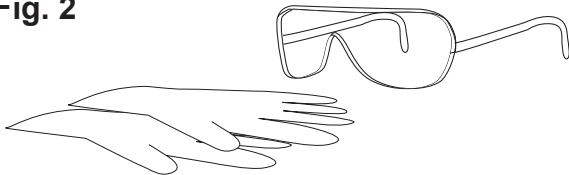
Remove visual residue (Step 1-6 of 38)

- 1 Check the level of disinfectant.
- 2 Raise the bathtub to convenient working position.
- 3 Make sure all functions are turned off.
- 4 Open drain to empty any left over water.
- 5 Detach and place the accessories (if applicable) such as pillow, foot support and toiletry tray at the bottom of the bathtub.
- 6 Shower and rinse the bathtub and the accessories in the bottom of the bathtub with water to remove visible residue. Turn the accessories and rinse again. (See Fig. 1)

Clean (Step 7-23 of 38)

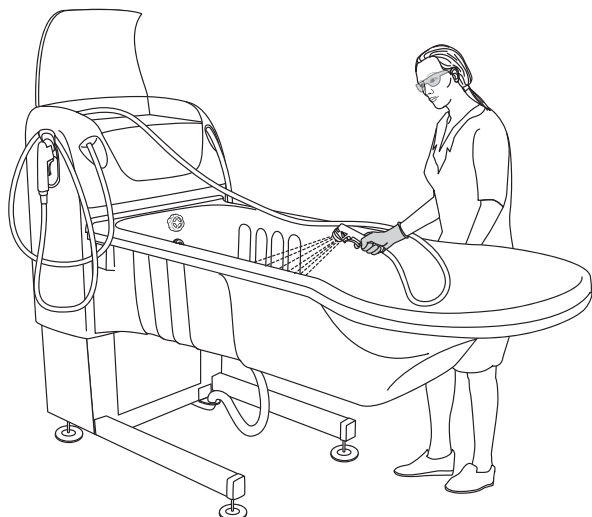
- 7 Put on protective gloves and eye wear. (See Fig. 2)
- 8 Open the panel lid, lift out the disinfection spray handle and hold it over the bathtub.
- 9 Press the disinfection button to start.
- 10 Hold the disinfection spray handle over the bathtub rim, then press the trigger. **Keep an eye on the flowmeter.**
- 11 Spray until the flowmeter shows the correct liquid mix ratio. If the flow meter value is not correct, adjust it according to section *Replace Disinfectant Bottle (System 2000 bath with disinfection option only)* on page 42.
- 12 Adjust water temperature so that it reaches approximately 25° C (77 °F) (P220 only) to eliminate disinfectant fumes.
- 13 Spray disinfectant in the drain. Use a long handled brush to scrub the drain.
- 14 Close the drain.

Fig. 2



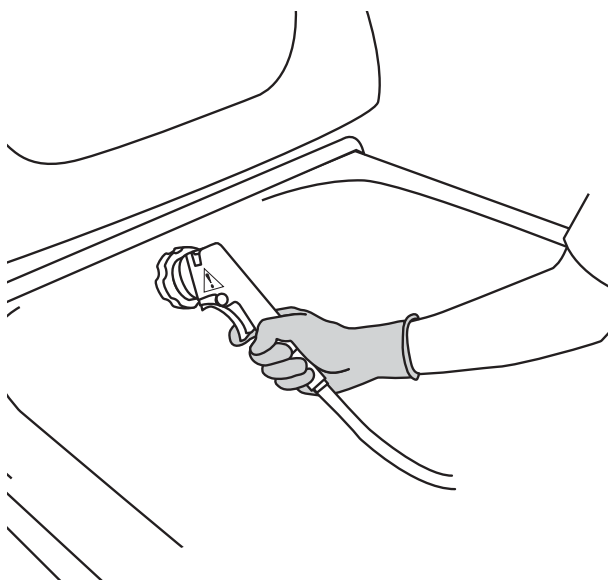
Continue with the steps on the next page.

Fig. 3



- 15 Spray disinfectant using the disinfection spray handle on all internal bathtub surfaces and the accessories at the bottom of the bathtub. Turn the accessories and spray on the other side. Pay attention to parts and knobs and sensors attached to the bathtub surface such as drain control knob/surface overflow outlet. (See Fig. 3)

Fig. 4



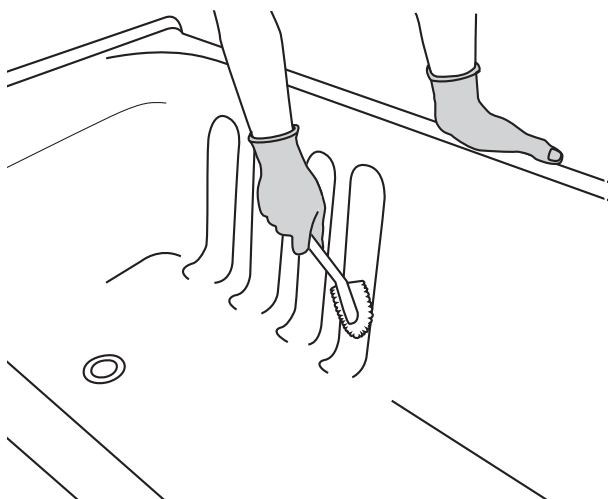
- 16 Spray into the surface overflow outlet. (See Fig. 4)
- 17 Press the disinfection button again to turn it off.

CAUTION

Never use green or brown Scotch-Brite nor steel wool on the bath as it may scratch the surface.

- 18 Scrub the surfaces of the bathtub, loose parts and accessories with a soft bristle brush or cloth (to remove any deposits e.g. skin flakes). Scrub thoroughly, especially on handles and hand control. (See Fig. 5)
- 19 Open the drain.
- 20 Rinse all parts clean with plenty of water having a temperature of approximately 25 °C (77 °F) using the shower handle to remove disinfectant.
- 21 Soak a cloth in disinfectant.
- 22 Wipe all other contact areas such as the outside of the bath (particularly behind the head), metal sensory knobs, hand control and the wheel chassis (optional) with the cloth.
- 23 Wet a new cloth with water and remove all traces of disinfectant on contact areas. The cloth should occasionally be rinsed in running water when removing disinfectant.

Fig. 5



Continue with the steps on the next page.

Disinfect (Step 24-38 of 38)

24 Direct the disinfection spray handle towards the drain and spray disinfectant in the drain.


25 Close the drain.

26 Spray disinfectant using the disinfection spray handle on all internal bathtub surfaces and the accessories at the bottom of the bathtub. Turn the accessories and spray on the other side. Pay attention to parts and knobs and sensors attached to the bathtub surface such as drain control knob/surface overflow outlet. (See Fig. 6)

27 Allow an appropriate contact time of the disinfectant according to the instructions on the bottle.

Push the disinfection button on the control panel to end the disinfection cycle.

Automatic Disinfection only: If the preset disinfection time has not elapsed other functions are disabled for:

- 2 minutes for the P300 and the display will show .
- 2 minutes for the P220
- 10 minutes for the P220 US
- 6 minutes for the MPA system (UK Only)

28 Place the disinfection spray handle back behind the disinfection cover and close the cover.

29 Open the drain.

30 Push the button for shower.

31 Rinse all parts clean with water having a temperature of approximately 25 °C (77 °F) using the shower handle to remove the disinfectant.

32 Soak a cloth in disinfectant.

33 Wipe all other contact areas such as the outside of the bathtub (particularly behind the head), metal sensory knobs, hand control and wheel chassis (optional) with the cloth.

34 Allow an appropriate contact time of the disinfectant according to the instructions on the bottle.

35 Wet a new cloth with water and remove all traces of disinfectant on contact areas. The cloth should occasionally be rinsed in running water when removing disinfectant.

36 Leave to air dry.

NOTE

Let the pillow dry with the suction cups upwards.

37 Attach any accessories.

Fig. 6

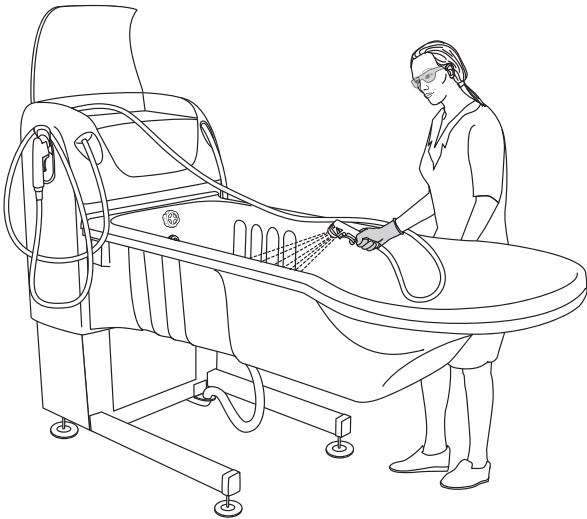


Fig. 1

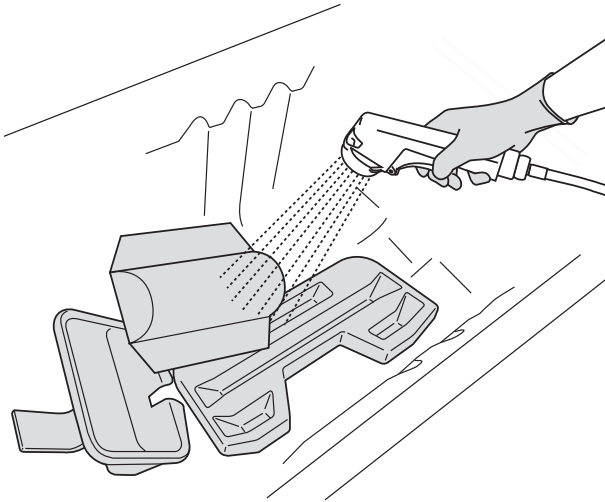


Fig. 2

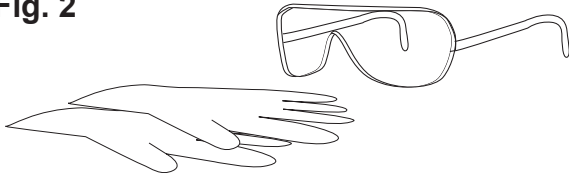
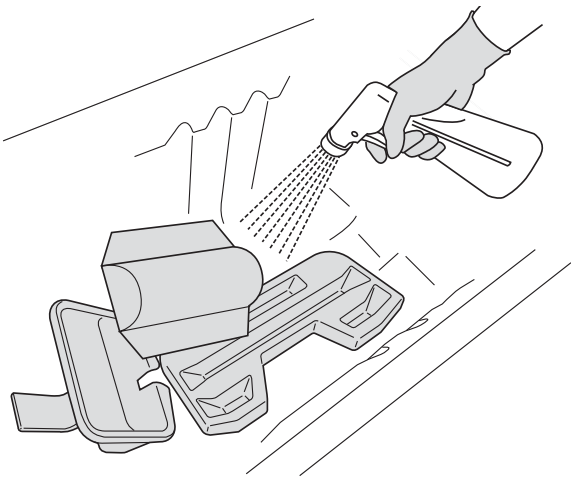


Fig. 3



Clean and Disinfect with a Spray Bottle (29 steps)

Remove visual residue (Step 1-5 of 29)

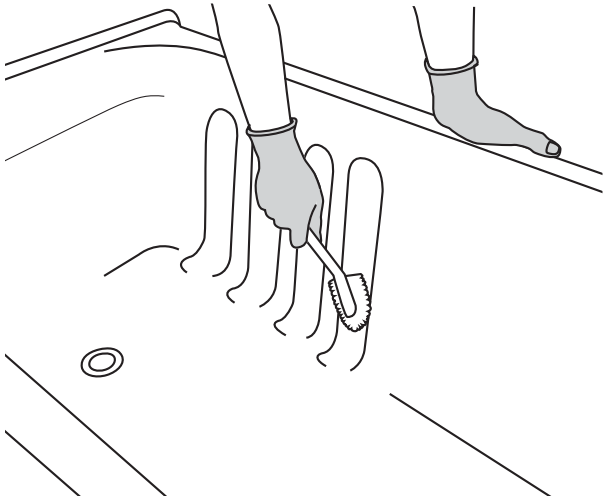
- 1 Raise the bathtub to convenient working position.
- 2 Make sure all functions are turned off.
- 3 Open the drain to empty any left over water.
- 4 Detach and place the accessories (if applicable) such as pillow, foot support and toiletry tray at the bottom of the bathtub.
- 5 Shower and rinse the bathtub and the accessories in the bottom of the bathtub with water to remove visible residue. Turn the accessories and rinse again. **(See Fig. 1)**

Clean (Step 6-16 of 29)

- 6 Put on protective gloves and eye wear. **(See Fig. 2)**
- 7 Spray disinfectant in drain. Use a long handled brush to scrub drain.
- 8 Close the drain.
- 9 Spray disinfectant using the spray bottle on all internal bathtub surfaces and the accessories at the bottom of the bathtub. Turn the accessories and spray on the other side. Pay attention to parts and knobs and sensors attached to the bathtub surface such as drain control knob/surface overflow outlet. **(See Fig. 3)**
- 10 Spray into the surface overflow outlet.

Continue with the steps on the next page.

Fig. 4



CAUTION

Never use green or brown Scotch-Brite nor steel wool on the bath as it may scratch the surface.

- 11 Scrub the surfaces of the bathtub, loose parts and accessories with a soft bristle brush or cloth (to remove any deposits e.g. skin flakes). Scrub thoroughly, especially on handles and hand control. (See Fig. 4)
- 12 Open the drain.
- 13 Rinse all parts clean with plenty of water having a temperature of approximately 25 °C (77 °F) using the shower handle to remove disinfectant.
- 14 Soak a cloth in disinfectant.
- 15 Wipe all other contact areas such as the outside of the bathtub (particularly behind the head), metal sensory knobs, hand control and the wheel chassis (optional) with the cloth.
- 16 Wet a new cloth with water and remove all traces of disinfectant on contact areas. The cloth should occasionally be rinsed in running water when removing disinfectant.

Continue with the steps on the next page.

Fig. 5

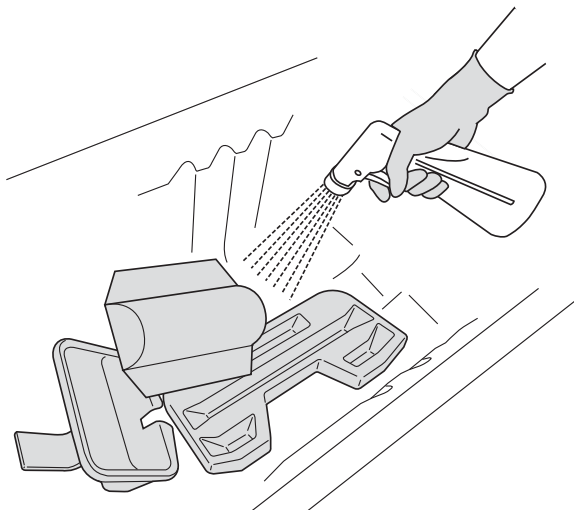
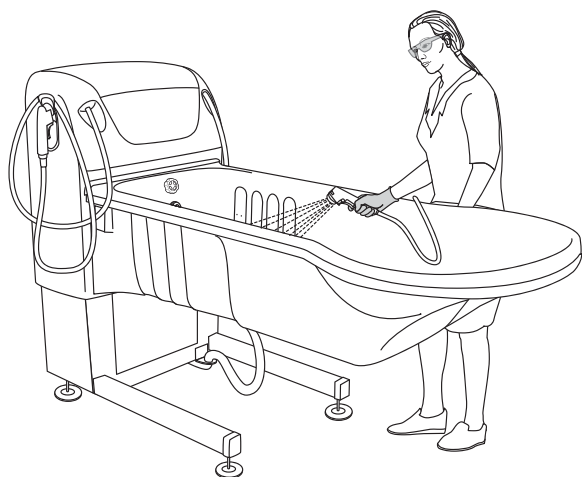


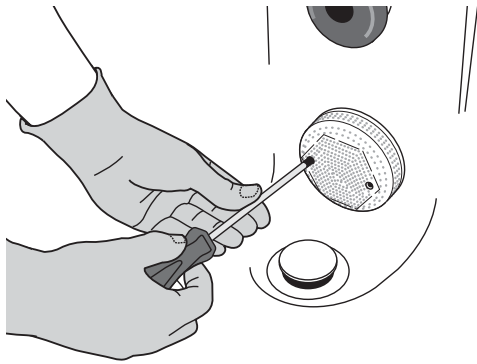
Fig. 6



Disinfect (Step 17-29 of 29)

- 17 Use a spray bottle and spray disinfectant in drain.
- 18 Close the drain.
- 19 Spray disinfectant on all internal bathtub surfaces and the accessories at the bottom of the bathtub. Turn the accessories and spray on the other side. Pay attention to parts and knobs and sensors attached to the bathtub surface such as drain control knob/surface overflow outlet. **(See Fig. 5)**
- 20 Allow an appropriate contact time of the disinfectant according to the instructions on the disinfectant bottle.
- 21 Open the drain.
- 22 Push the button for shower.
- 23 Rinse all parts clean with water having a temperature of approximately 25 °C (77 °F) using the shower handle to remove the disinfectant. **(See Fig. 6)**
- 24 Soak a cloth in disinfectant.
- 25 Wipe all other contact areas such as the outside of the bathtub (particularly behind the head), metal sensory knobs, hand control and wheel chassis (optional) with the cloth.
- 26 Allow an appropriate contact time of the disinfectant according to the instructions on the disinfectant bottle.
- 27 Wet a new cloth with water and remove all traces of disinfectant on contact areas. The cloth should occasionally be rinsed in running water when removing disinfectant.
- 28 Leave to air dry.
- 29 Attach any accessories.

Fig. 1



Clean and Disinfect Hydromassage™ System with Automatic Disinfection

(10 steps)

- 1 Check the level of the disinfectant.
- 2 Raise the bathtub to an ergonomic working height.
- 3 Close the drainage plug.
- 4 Unscrew the screws and remove the suction inlet screen. Clean the suction inlet screen separately. (See Fig. 1)
- 5 Press the disinfection button and this will start the disinfection cycle. Disinfectant will come out from the *Hydromassage* system nozzle. The disinfection cycle will end with the *Hydromassage* system being rinsed with water.
- 6 Spray disinfectant into the surface overflow outlet. (See Fig. 2)
- 7 Continue with the remaining disinfection instructions according to section *Clean and Disinfect with Disinfection Spray Handle (Still Bath and Hydrosound System)* on page 43.
- 8 Let the disinfectant act according to the time printed on disinfectant bottle.
- 9 Press the Shower button and rinse the surface overflow outlet.
- 10 When disinfection is completed, attach the suction inlet screen, put the screws back and tighten them gently.

Fig. 2

Surface
Overflow
Outlet

Hydromassage
System Outlet

Suction Inlet

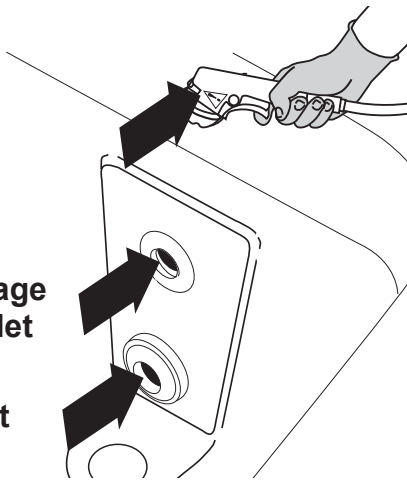


Fig. 1

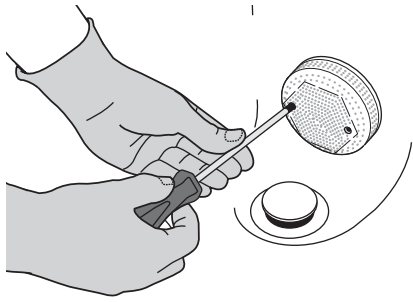


Fig. 2

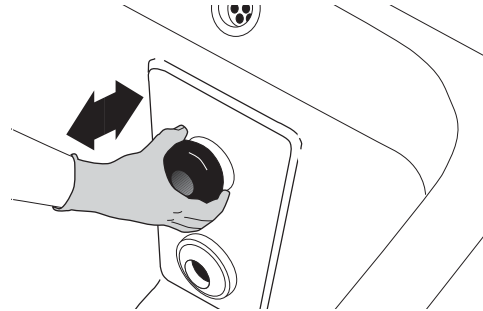


Fig. 3 Hydromassage System Outlet Suction Inlet

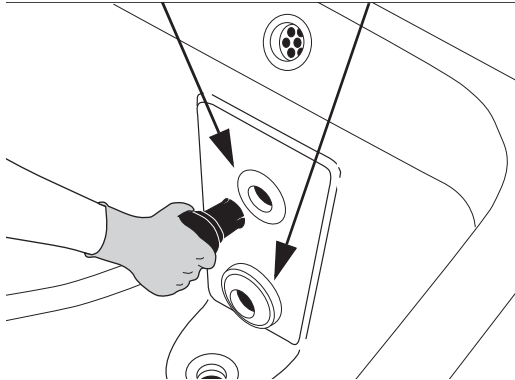


Fig. 4

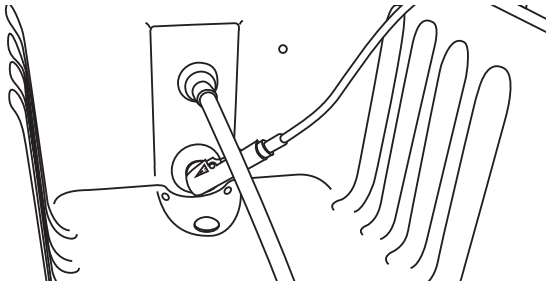
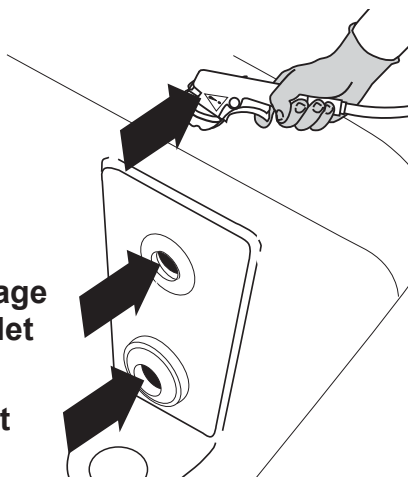


Fig. 5

Surface Overflow Outlet

Hydromassage System Outlet

Suction Inlet



Disinfect Hydromassage™ System without Automatic Disinfection

(18 steps)

- 1 Check the level of the disinfectant.
- 2 Raise the bathtub to convenient working position.
- 3 Open the drainage plug.
- 4 Unscrew the screws and remove the suction inlet screen. Clean the suction inlet screen separately. (See Fig. 1)
- 5 Only pull out the turnable *Hydromassage* system nozzle if a treatment hose is going to be connected. (See Fig. 2)

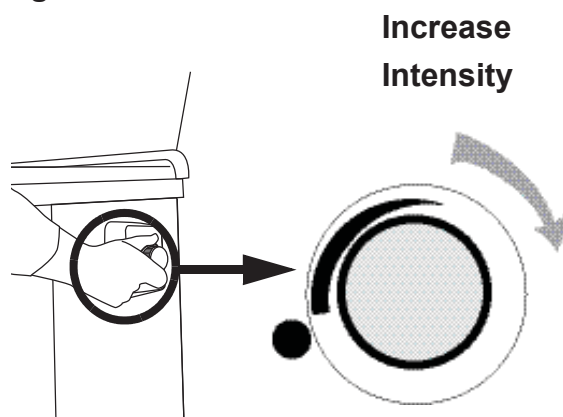
- 6 Insert the treatment hose, if any, in the *Hydromassage* system outlet. (See Fig. 3)

- 7 Spray disinfectant into the suction inlet until foam will come out of the *Hydromassage* system nozzle/treatment hose. (See Fig. 4)

- 8 Spray disinfectant into the surface overflow outlet. (See Fig. 5)

Continue with the steps on the next page.

Fig. 1



- 9 Let the disinfectant act according to the time printed on disinfectant bottle.
- 10 Press the disinfectant button to disinfectant off.
- 11 Press the shower button and connect the shower handle to the suction inlet.
- 12 Make sure the *Hydromassage* system knob is turned clockwise at highest intensity to prevent water leakage on the floor. (See Fig. 1)
- 13 Press the trigger and rinse until the water comes out **clear** from the *Hydromassage* system nozzle/treatment hose.
- 14 After the rinse, remove the treatment hose, if any, and let it hang dry on the holder.
- 15 Put the nozzle back into the *Hydromassage* system outlet.
- 16 Rinse the surface overflow outlet with water as well.
- 17 Continue with the remaining disinfection instructions according to section *Clean and Disinfect with Disinfection Spray Handle (Still Bath and Hydrosound System)* on page 43.
- 18 When disinfection is completed, attach the suction inlet screen, put the screws back and tighten them gently.

Remove Lime Deposits, Mini Corrosion and Discolouration (Primo® Ferro, Stainless Steel bath only)

(4 steps)

- 1 Cover the area with stainless steel cleaner and let it work for 10-20 minutes.
- 2 Rinse with plenty of water.
- 3 Dry with a clean cloth to avoid water marks.
- 4 Afterwards treat it with a stainless steel polish to get the preventative coating against fingerprints and water marks.

Care and Preventive Maintenance

The *System 2000* bath is subject to wear and tear, and the following actions must be performed when specified to make sure that the product remains within its original manufacturing specification.

WARNING

To avoid malfunction resulting in injury, make sure to conduct regular inspections and follow the recommended maintenance schedule. In some cases due to heavy use of the product and exposure to aggressive environment more frequent inspections should be carried out. Local regulations and standards may be more stringent than the recommended maintenance schedule.

NOTE

Product cannot be maintained and serviced while in use with the patient.

Preventive Maintenance Schedule: System 2000 bath

CAREGIVER OBLIGATIONS Action/Check	Between Patients	Every DAY	Every WEEK	Every MONTH	Every YEAR
Clean and Disinfect	X				
Check liquid levels		X			
Visually check all exposed parts			X		
Check pillow, foot support and toiletry tray			X		
Visually check hoses, pipes and connections			X		
Perform functionality test			X		
Check / clean shower heads				X	
Check / clean filters, incoming water				X	
Exercise the thermostat mixer (P220 only)				X	
Yearly checks by qualified personnel only					X
Check electrical installation (to be performed by authorized electrician)	Intervals according to local requirements				

WARNING

To avoid injury to both the patient and the caregiver, never modify the equipment or use incompatible parts.

Fig. 1

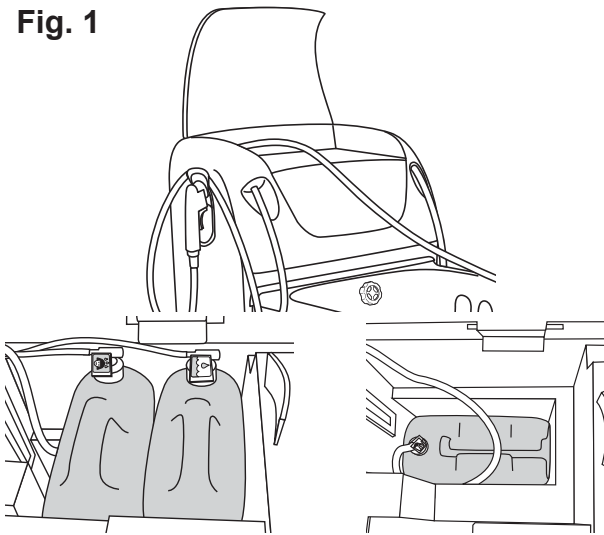


Fig. 2

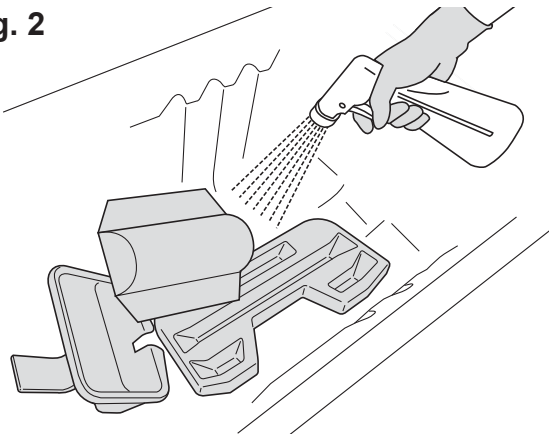
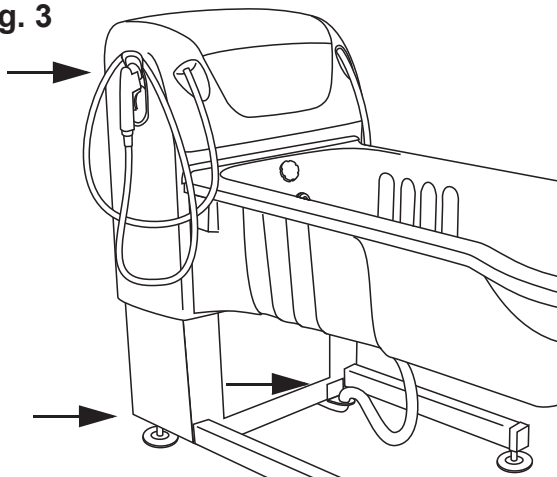


Fig. 3



Caregiver Obligations

Caregiver obligations shall be carried out by personnel with sufficient knowledge of the *System 2000* bath following the instructions in this *IFU*.

If the product deviates from normal (function or in appearance) immediately contact your local Arjo Service for support.

Between Patients

Clean and disinfect:

Before every use, make sure the *System 2000* bath is cleaned and disinfected according to section *Cleaning and Disinfection Instructions* on page 40.

Every week

- **Check liquid levels:**

Check liquid levels in the bottles of disinfectant, shampoo and bath oil (*ArjoSound* water conditioner). (See Fig. 1)

- **Visually check exposed parts:**

- 1 Visually check all exposed parts, especially where personal contact is made by either the patient or caregiver.
- 2 Make sure no cracks or sharp edges have developed that could cause the patient or caregiver injury or that has become unhygienic and can cause cross-contamination. Any use of chlorine, alcohol can damage the bathtub and cause cracks.

- **Check accessories:**

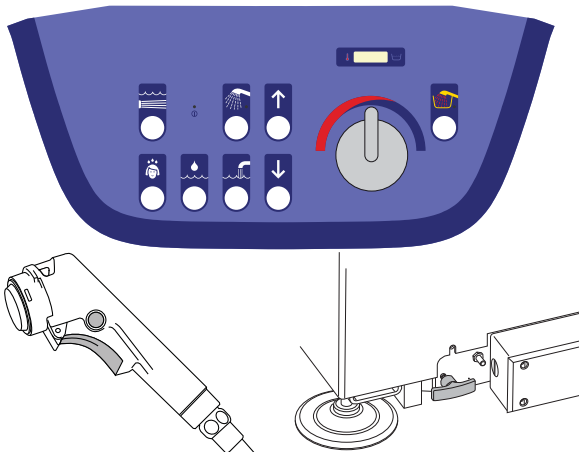
Check pillow, foot support and toiletry tray to make sure there are no cracks or tears that would allow water to get into the filling and cause cross contamination. If there is such damage, replace. (See Fig. 2)

- **Visually check hoses, pipes and connections:**

Visually check for leaks of any kind underneath the bathtub. (See Fig. 3)

Continue with the steps on the next page.

Fig. 4



- **Perform functionality test (See Fig. 4):**

- 1 Test all functions. Water (fill and shower), Disinfection, Hydromassage system, Hydrosound system test mode (see section *Hydrosound System* on page 24) and the Sound & Vision system (see section *Sound & Vision System* on page 26).
- 2 With water on: check shower hose and shower handle for damage. Replace if damaged. Shower handle can be replaced without Arjo support.
- 3 Check the emergency lowering function, if any.

Every month

- **Remove and clean the shower head (See Fig. 1):**

- 1 Loosen the screw.
- 2 Remove all loose parts.
- 3 Clean carefully.
- 4 Re-assemble. The parts (A) must be assembled before they will be set into the handle. (See Fig. 1)
- 5 Tighten the screw carefully.

- **Check/clean filters for incoming water:**

A rinsing valve with a filter is mounted on each of the two water supply hoses found under the bathtub. Rinse filter in both valves according step by step instructions below.

WARNING

Pressurised system and risk of scalding. Make sure that the valve (A) is closed before removing the cap, this is especially important for the hot water valve.

- 1 First, close the valves (A). The handles (red for hot water and blue for cold) should be in a cross position. (See Fig. 2)
- 2 Then, remove the cap (B) with a wrench. (See Fig. 2)
- 3 Finally, pull out the filter (C) and clean it carefully in water. (See Fig. 2)
- 4 Reassemble.
- 5 Open the valves.

- **Exercise the thermostat mixer (P220 only):**

Turn the temperature control back and forth over the whole temperature range with water on. This is particularly important in areas with hard water.

Fig. 1

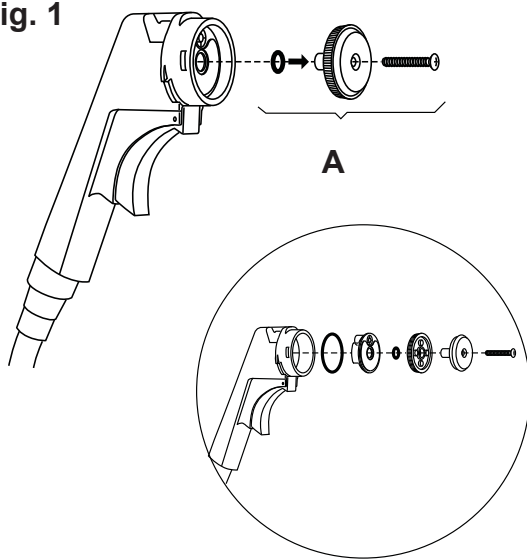
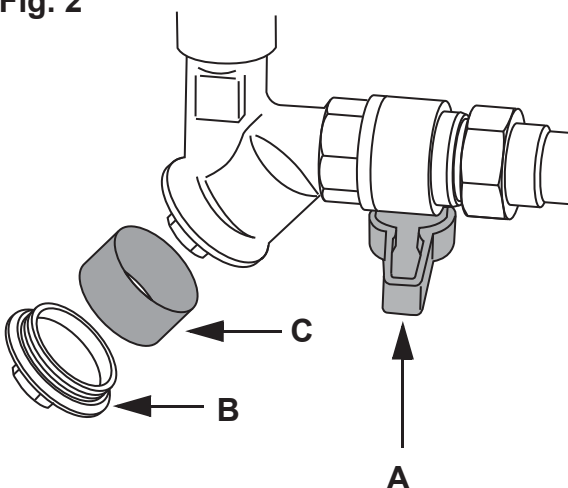


Fig. 2



Yearly Checks by Qualified Personnel Only

The *System 2000* bath must be serviced once a year in accordance with the *Maintenance and Repair Manual*.

To make sure that you have a problem free and safe operation, it is recommended to have regular scheduled services with calibration of the thermostatic mixer and thermometer by a trained technician. Relocation of the bath, significant changes or modifications in local water supply may require re-calibration of the thermostatic mixing valve.

Contact your local Arjo service representative to sign for a service agreement.

WARNING

To avoid injury and/or unsafe product, the maintenance activities must be carried out at the correct frequency by qualified personnel using correct tools, parts and knowledge of procedures. Qualified personnel must have documented training in maintenance of this device.

NOTE

All Caregiver Obligations are to be checked when performing the Qualified Personnel Service. For details, see separate service instructions.

Troubleshooting

NOTE

Before starting the troubleshooting check: Power supply, Water supply and the LEDs on control panel. If the problem can not be solved with the problem solving actions below, please contact an Arjo authorized technician.








PROBLEM	ACTION
Only the water flow to the shower is slow.	Check and clean the shower head according to section <i>Care and Preventive Maintenance on page 52</i> .
Water flow from shower and filling spout is slow.	<ol style="list-style-type: none"> 1 In order to feel if any hot water is coming in, feel the incoming hot water line to see if hot. 2 Check and clean filter for incoming water according to section <i>Care and Preventive Maintenance on page 52</i>.
Disinfection does not work.	<ol style="list-style-type: none"> 1 Make sure the bathtub is empty of any left over water. 2 Make sure shower, fill or <i>Hydromassage system/ Hydrosound system</i> is not activated and try again. 3 If the LED on the control panel is flashing and beeping (<i>P300</i> only), it indicates that the disinfectant level in the bottle is running low and needs to be replaced. See section <i>Cleaning and Disinfection Instructions on page 40</i>.
Autofill function will not stop filling.	Metal sensory plugs need cleaning because of collected residue build up. See section <i>Cleaning and Disinfection Instructions on page 40</i> .
The <i>Sound & Vision</i> system hand control is not working.	<ol style="list-style-type: none"> 1 The LED on the remote control should flash when active. 2 If it is not flashing, replace the <i>Sound & Vision</i> system hand control.
The <i>Sound & Vision</i> system sound is not working, but bathtub light is working.	<ol style="list-style-type: none"> 1 The USB memory stick may be defective. If possible, check the USB LED light for indication. Solid light = power ON, Flashing light = reading. 2 Test another USB memory stick.
No <i>Sound & Vision</i> system light but sound is working.	Light is broken and it needs to be replaced by an Arjo authorized technician.
Fill or shower function stops. (Scalding protection).	Reset the scalding protection according to <i>Reset scalding protection (P220 only) (5 steps) on page 18</i> or <i>Reset scalding protection (P300 only) (4 steps) on page 19</i> .
Water on the ground.	<ol style="list-style-type: none"> 1 Check for leakage on incoming water and the bath drainage hose. 2 The bath has short-circuited and the bath is filling up continuously with water. <p>For both actions turn off the electrical supply and turn of the water supply.</p>

Error Codes (P300 only)

Display Messages

During an internal failure the system will beep for 5 s and an error code will show up on the display. The bathtub can be raised or lowered during these error codes. If an error code is displayed, proceed as following:

- 1 Note the number of the error code. (-01-, -02-, -03-, -04- or -05-).
- 2 Write down the error code and press any button one time to reset the error code.
- 3 Stop using the bath and call qualified personnel and report the malfunction and the error code that is being displayed.

Display message	Cause	Remarks
	Temperature sensor error	Only raising and lowering of the bathtub is possible. All other functions are blocked until confirmation.
	Calibration error	Only raising and lowering of the bathtub is possible. All other functions are blocked until confirmation.
	Hydrosound system error Transducer not connected Transducer in air Transducer hot Test mode <i>Hydrosound</i> system	All other functions can be used.
	Hydrosound system error Intensity too high	All other functions can be used.
	Level sensor error	Only bathtub filling is blocked
	Please wait <i>Hydrosound</i> system pause or Rinsing of <i>Hydromassage</i> system pump or Manual calibration or Disinfectant pause or Mixer span exercise (every 15th bath cycle) or Electronic scalding protection active.	Only raising and lowering of the bathtub is possible. All other functions are blocked. Beep is scalding protection.
	Low level in disinfectant bottle Active for 5 s. <i>Disinfection ON/OFF</i> is flashing.	Replace the disinfectant bottle according to <i>Replace Disinfectant Bottle (System 2000 bath with disinfection option only)</i> on page 42.

Technical Specifications

A full technical description of the *System 2000* can be found in the service documentation, please contact Arjo for a copy. Contact information appears on the last page of this IFU.

Site Requirements

NOTE

All drainage, water and electrical installation work should be carried out by qualified personnel, in accordance with local and national regulations.

Electric supply, Europe and North America

Voltage	230/240 V (Europe) 120 V (North America) 100 V (Japan) 220 V (Korea) 230 V (Saudi Arabia)
Number of phases	Single phase AC
Frequency	50 Hz (Europe) 60 Hz (North America) 50/60 Hz (Japan) 60 Hz (Korea) 60 Hz (Saudi Arabia)
Power consumption (maximum)	1100 VA
Fuse	6 A (Europe) 10 A (North America) 12 A (Japan) 6 A (Korea) 6 A (Saudi Arabia)
Protective earth	Yes
Potential equalisation	Yes
Power supply cord	Replaceable by qualified personnel

WARNING

To avoid electric shock, make sure that the equipment is connected to:

- Continuously powered supply mains with protective earth.
- Separate fuse and ground fault circuit interrupter (GFCI)
- A mains disconnection device
- Equipotential bonding point

All installations must be in accordance with local codes and regulations.

Mains disconnection device	
Permanently installed in wall. Visible and accessible at all times	
Mains transient voltage	4 kV*
Creepage distance	3 mm*
Air clearance	1.8 mm*
Direction of movement	Up and down, right and left, clockwise and counterclockwise
* If local regulations are higher, then they have to be met.	

Water supply	
Cold/Warm Water	3/4" B.S.P female
Connect with shut off valves between unit and supply net, minimum through Ø 16 mm	
Maximum static pressure	6 bar (600 kPa, 87 psi)
Minimum operating pressure (all markets except UK market)	2 bar (200 kPa, 29 psi)
Minimum operating pressure (UK market)	1 bar (100 kPa, 14.5 psi)
Required cold water temperature	2 - 20 °C (36 - 68 °F)
Required warm water temperature	60 - 80 °C (140 - 176 °F)
Drain position	Floor or wall

Floor	
Maximum floor load	990 kg /0.91 m ²
Maximum floor pressure	1.8 N/mm ²

Operating conditions	
Ambient temperature	40 °C (104 °F)
Relative humidity	30% - 75% Rh
Atmospheric pressure	800 hPa to 1060 hPa

Transport and storage	
Ambient temperature	-20 °C to 70 °C (-4 °F to 158 °F)
Relative humidity	10% - 80% at 20 °C (68 °F)
Atmospheric pressure	500 hPa to 1100 hPa

Environmental	
Microbiological demands Fulfil WHO's demands on drinking water and the Drinking Water Directive (DWD) in EU. Specifications below have a different value from microbiological demands above.	
Ph Range	Ph 7.5 - Ph 9
Conductivity (minimum)	More than 2.7 mS/m
Chloride (maximum)	Less than 250 mg/l
Hardness	Less than 20 °dH
Alkalinity	60 - 200 mg/l HCO ₃
Installation of the <i>System 2000</i> bath	Refer to Assembly and Installation Instructions
Pollution degree	2

End of Life Disposal
<ul style="list-style-type: none"> • Equipment that has electrical and electronic components should be disassembled and recycled per Waste of Electrical and Electronic Equipment (WEEE) or in accordance with local or national regulation. • Disinfection liquids – if you have extra liquid, it's safe to pour it down the drain with running water. These products are water soluble and usually mixed with water when used for cleaning, your municipality will treat these cleaners the same way they would if you used them for cleaning. • The packaging containers should be recycled according to the national or local regulations.

Technical Requirement	
Maximum patient weight	182 kg (401 lbs)
Safe Working Load (patient + water)	500 kg / 1102 lbs
IP Class according to IEC 60529	IP X4
IP Class according to IEC 60529 <i>Sound & Vision</i> system hand control	IP X7
Electrical Protection Type	I
Electrical Protection Degree	B
Degree of fire protection	In accordance with standard IEC 60601-1
Maximum duty cycle, lifting	2 minutes ON 18 minutes OFF
Maximum duty cycle, <i>Hydrosound</i> system/ <i>Hydromassage</i> system	15 minutes ON 15 minutes OFF
Thermometer	
Range	10-50 °C (50-122 °F)
Accuracy	+/-1 °C (1.8 °F)
Resolution	0.1 °C (0.18 °F) P220 0.5 °C (0.9 °F) P300

Allowed Combinations		
Arjo Product	Lift	Bathtub length
Alenti	All models	System 20, 23 and 25
Miranti	All models	System 23 and 25
Calypso	All models	System 20, 23 and 25
Bolero	Not pediatric	System 23 and 25
Bolero	Pediatric	System 20, 23 and 25
Combilift	Classic	System 20, 23 and 25
Combilift	Stretcher	System 23 and 25
Combilift	Hanger bar	System 20, 23 and 25
Maxi Twin	All models	System 20, 23 and 25
Maxi Move	Not Large Hanger bar	System 20, 23 and 25
Maxi Sky	Not Maxi Sky 1000 (Large)	System 20, 23 and 25
Maxi Sky 2 Plus	All models	System 20, 23 and 25
Marisa	All models	System 20, 23 and 25
No other combinations are allowed		

Sound Levels	
Sound level at raising/lowering, no load	69 dBA
Sound level at raising/lowering, full load	68 dBA
Sound level at hydromassage/air spa	76 dBA
Sound level at bathtub filling	80 dBA
Sound level at shower start	55 dBA

Water volumes for bathtubs (interval depending on bathtub model and bathtub size)	
Filling time at 3.0 bar (43.5 PSI) dynamic pressure, 80 °C (176 °F) HW	3 - 7.5 minutes
Water content up to overflow level	262 - 409 l 69.2 - 108 US gallons
Water content up to autofill level	185 - 282 l 48.9 - 74.5 US gallons
Drainage time - High Position	4.2 - 6.6 minutes
Drainage time - Low Position	6.9 - 10.8 minutes
Minimum drainage capacity	100 l/minute 26.4 US gallons/minute
Product measure	see <i>Assembly and Installation Instructions</i>

List of Standards and Certificates

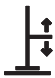
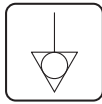





STANDARD/ CERTIFICATE	DESCRIPTION
EN/IEC 60601-1:2005 AMD1:2012	Medical Electrical Equipment - Part 1: General Requirements for Basic Safety and Essential Performance
ANSI/AAMI ES60601-1 (2005) AMD 1 (2012)	Medical Electrical Equipment - Part 1: General Requirements for Basic Safety and Essential Performance
CAN/CSA-C22.2 No. 60601-1:14	Medical Electrical Equipment - Part 1: General Requirements for Basic Safety and Essential Performance
CSA B45.5-02	CSA Standard for Plastic Plumbing Fixtures
ANSI Z124.1.2-1995	Standard for Plastic Bathtub Units
ANSI/ASME A112.19.7- 1995	Whirlpool Bathtub Appliances
ANSI/ASME A112.19.8- 1987	Suction Fittings
ASSE 1001-1988, CSA B64.1.1-2008	Pipe Applied Atmospheric Type Vacuum Breaker
ASSE 1056, CSA B64.1.2	Back Siphonage Vacuum Breakers
ANSI/ASSE 1014-1989	Hand Held Shower
ANSI/ASSE 1016-2005	Individual Thermostatic, Pressure Balancing and Combination Pressure Balancing and Thermostatic Control Valves for Individual Fixtures.
EN 1717:2000	Protection against pollution of portable water in water installation and general requirements of devices to prevent pollution by backflow.

Labels



Label explanation





Applied Part	Type B, Applied part: protection against electrical shock in accordance with IEC 60601.
Attention Label	Important user information for correct use.
Approval Label	States approvals for the current product.
Calibration Label	States that a calibration has to be done before first use and after every installation. See <i>Assembly and Installations Instructions</i> and call an Arjo technician.
Data Label	States technical performance and requirements, e.g. Input Power, Input Voltage and maximum Patient Weight etc.
Emergency Lowering Label	States emergency information, see section <i>Emergency Lowering (optional, not for UK market)</i> on page 20.
Factory	Name and address of the manufacturer
Field Wiring Box Label (USA and Canada only)	States where to connect the incoming electrical service.
Identification Label	States the product identification, serial number and year and month of manufacturing.
Water Connection Label	States required maximum/minimum temperature for cold and hot water and maximum/minimum water pressure.

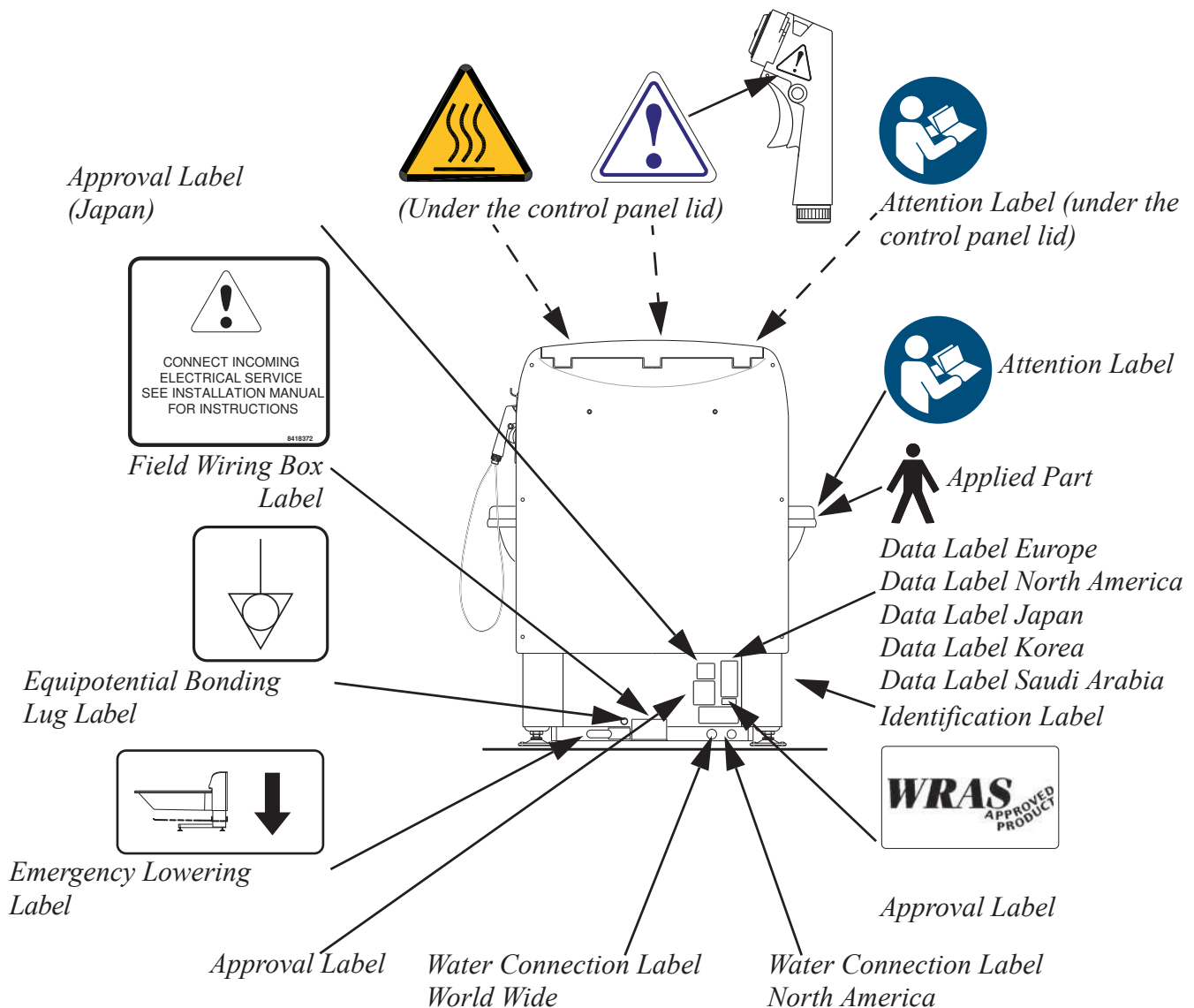
Symbol explanation

	Lifting Stroke
	Label for equipotential connection point (bonding lug)
Safe Working Load (SWL)	Maximum weight of patient and water
Input Voltage	Voltage feed
Input Power	Power
Class 1	Type of protection - grounded
IP X4	Degree of Protection (i.e. the product is protected against splashing water)
ED max	Time span (Duty cycle) of Hi/Lo, <i>Hydromassage</i> system and <i>Hydrosound</i> system being turned ON and OFF.
	CE marking indicating conformity with European Community harmonised legislation Figures indicate Notified Body supervision.
	Separate electrical and electronic components for recycling in accordance with the European Directive 2012/19/EC (WEEE)
	Read the <i>IFU</i> before use.
	Warning! Hot surface!
	General warning

Approval label explanation

	<p>The PSE is a mandatory mark for Japan according to the <i>Electrical Appliance and Material Safety Law (DENAN)</i>.</p>
	<p>Classified by Underwriters Laboratories Inc. with respect to electrical shock, fire, mechanical, hazards and other specified hazards only in accordance with the Approvals and List of Standards (previous page).</p>
	<p>Dutch safety certification for water safety to the standards NEN-EN 1717, NEN 1006. KIWA evaluation guidance for backflow protection Water worksheets 3.8</p>

	<p>(Water Fittings) Regulations 1999 (the Water Byelaws 2000 in Scotland)</p>
	<p>Name and address of the manufacturer</p>
	<p>Manufacturing date</p>
	<p>Indicates the product is a Medical Device according to EU Medical Device Regulation 2017/745</p>



Electromagnetic Compatibility

Medical electrical equipment needs special precautions regarding EMC (Electromagnetic compatibility) and needs to be used according to the EMC information below.

The *System 2000* bath is intended for the use in the electromagnetic environment specified below. The customer or the user of the *System 2000* bath should assure that it is used in such an environment.

WARNING

Stacking or placing other electrical equipment next to this device is not recommended, it can interfere with the equipment's operation and safety. Portable and mobile radio-frequency (RF) communications equipment can interfere with this equipment operation and safety.

WARNING

The equipment may cause radio interference or may disrupt the operation of nearby equipment. It may be necessary to take action, such as reorienting, relocating the equipment or shielding the location.


Guidance and manufacturer's declaration - electromagnetic emissions

Emissions test	Compliance	Electromagnetic environment - guidance
RF emissions CISPR 11	Group 1	The <i>System 2000</i> bath uses RF energy only for its internal function. Therefore, its RF emissions are very low and are not likely to cause any interference in nearby electronic equipment.
RF emissions CISPR 11	Class B	The <i>System 2000</i> bath is suitable for use in all establishments, those directly connected to the public low-voltage power supply network that supplies buildings used for domestic purposes.
Harmonic emission IEC 61000-3-2	Class A	
Voltage fluctuations/flicker emission IEC 61000-3-3	Complies	

Guidance and manufacturer's declaration - electromagnetic immunity

Immunity test	IEC 60601 test level	Compliance	Electromagnetic environment guidance
Electrostatic discharge (ESD) IEC 61000-4-2	6 kV contact 8 kV air	6 kV contact 8 kV air	Floors should be wood, concrete or ceramic tile. If floors are covered with synthetic material, the relative humidity should be at least 30%.
Electrical fast transient/burst IEC 61000-4-4	+/- 2 kV for power supply lines +/- 1 kV for input/output lines	+/- 2 kV for power supply lines +/- 1 kV for input/output lines	Mains power supply should be that of a typical or hospital environment.
Surge IEC 61000-4-5	+/- 1 kV line(s) to line(s) +/- 2 kV line(s) to earth	+/- 1 kV differential mode +/- 2 kV common mode	
Voltage dips, short interruptions and voltage variations on power supply input lines IEC 61000-4-11	<5% U_t (>95% dip in U_t) for 0,5 cycle 40% U_t (60% dip in U_t) for 5 cycles 70% U_t (30% dip in U_t) for 25 cycles <5% U_t (>95% dip in U_t) for 5 s	<5% U_t (>95% dip in U_t) for 0,5 cycle 40% U_t (60% dip in U_t) for 5 cycles 70% U_t (30% dip in U_t) for 25 cycles <5% U_t (>95% dip in U_t) for 5 s	
Power frequency (50/60 Hz) Magnetic field IEC 61000-4-8	3 A/m	0.3 A/m	If functional disturbance occurs on the <i>System 2000</i> bath it may be necessary to install magnetic shielding. The power frequency magnetic field should be measured prior to installation to assure that it is sufficiently low.

Guidance and manufacturer's declaration - electromagnetic immunity

Immunity test	IEC 60601 test level	Compliance	Electromagnetic environment guidance
Conducted RF IEC 61000-4-6	3 Vrms 150 MHz to 80 MHz outside ISM ^c bands	1 Vrms	Portable and mobile RF communications equipment should be used no closer to any part of the <i>System 2000</i> bath including cables, than 1 meter if the transmitters output power rating exceeds 1 W Field strengths from fixed RF transmitters, as determined by an electromagnetic site survey, a) should be less than the compliance level in each frequency range.
	10 Vrms 150 MHz to 80 MHz outside ISM ^c bands	1 Vrms	
Radiated RF IEC 61000-4-3	10 Vrms 80 MHz to 2.5 GHz	10 Vrms 80 MHz to 2.5 GHz	b) Interference may occur in the vicinity of equipment marked with the following symbol: 

NOTE 1 - At 80 MHz and 800 MHz, the higher frequency range applies.

NOTE 2 - These guidelines may not apply in all situations. Electromagnetic propagation is affected by absorption and reflection from structures, objects and people.

a) Field strengths from fixed transmitters, such as base stations for radio (cellular/cordless) telephones and land mobile radios, amateur radio, AM and FM radio broadcast cannot be predicted theoretically with accuracy. To assess the electromagnetic environment due to fixed RF transmitters, an electromagnetic site survey should be considered. If the measured field strengths in the location in which the *System 2000* bath is used exceeds the applicable RF compliance level above, the *System 2000* bath should be observed to verify normal operation. If abnormal performance is observed, additional measures may be necessary.

b) Over the frequency range 150 kHz to 80 MHz, field strengths should be less than 1V/m.

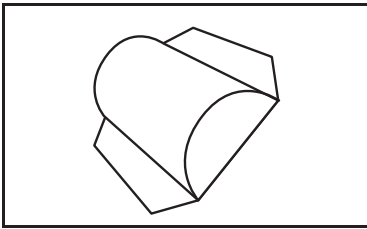
c) The ISM (industrial, scientific and medical) bands between 150 kHz and 80 MHz are 6,765 MHz to 6,795 MHz; 13,553 MHz to 13,567 MHz to 27,283 MHz; and 40,66 MHz to 40,70 MHz.

d) The compliance level in the ISM frequency bands between 1510 kHz and 80 MHz and in the frequency range 80 MHz to 2.5 GHz are intended to decrease the likelihood that mobile/portable communications equipment could cause interference if it is inadvertently brought into residents areas. For this reason, an additional factor of 10/3 has been incorporated into the formulae used in the calculating the recommended separation distance for transmitters in these frequency ranges.

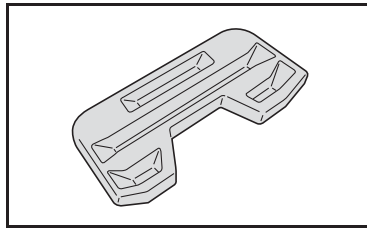
Recommended separation distance between portable and mobile RF communications equipment and the System 2000 bath

The *System 2000* bath is intended for use in an electromagnetic environment in which radiated RF disturbance are controlled. The customer or the user of the *System 2000* bath can help prevent electromagnetic interference by maintaining a minimum distance between portable and mobile RF communications equipment (transmitters) and the *System 2000* bath by maintaining a distance of not less than 1 meter to any part of the *System 2000* bath, including cables, if the transmitters output power rating exceeds 1W.

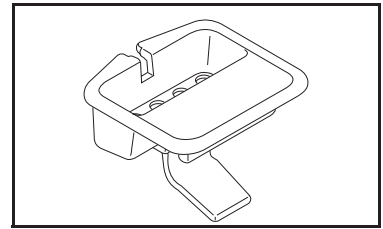
Parts and Accessories



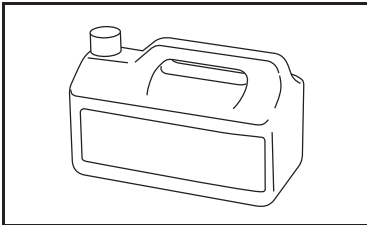
8331457-03 - Grey
Pillow



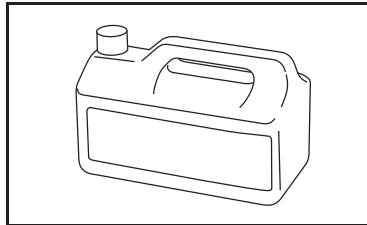
8138678 - Transparent
Foot Support
8154647-04 -Primo®
Ferro
Foot Support



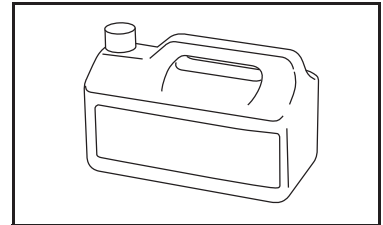
ARA 0007-01
Toiletry tray



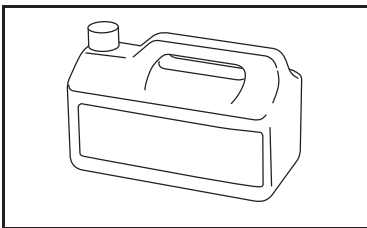
For disinfectant
contact the Arjo local
representative



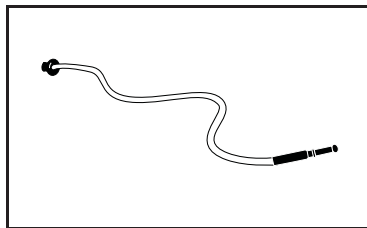
SRB4000
Arjo Oil™ (Bath Oil)
2 X 2 Litre bottles



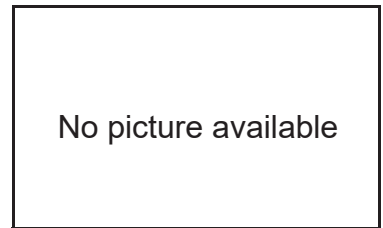
SRB5000
Arjo Care™ (Shampoo,
Body Wash)
4 X 2 Litre bottles



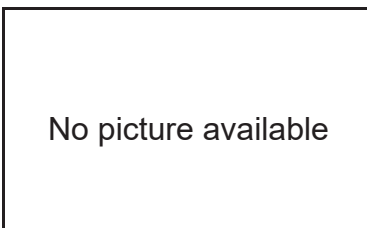
SRB1000
ArjoSound™
Water Conditioner
(for Hydrosound System)
2 X 2 Litre bottles



ARA 0500-03
Hydromassage Treatment
Hose inclusive holder



ARA 3333-04
Booster Pump



ARA 0300-031
Foundation Frame