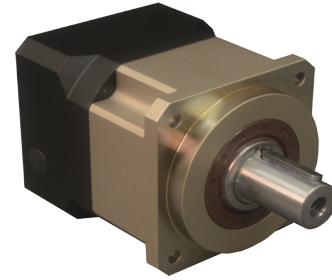


FEATURES

- **Compatible with NEMA Size 42**
- **Backlash as Low as 1 arc-min**
- **Gear Ratios from 3:1 to 100:1**
- **Long Design Life, Over 20,000 hrs**
- **Up to 97 Percent Efficiency**
- **Max Input Speeds up to 8,000 RPM**
- **Lifetime Lubrication**
- **Low Noise Helical Gears**



DESCRIPTION

The GBPS-115x Series is an In-Line Planetary Helical Gearbox line that offers great prices without sacrificing precision and quality. The GBPS-115x Series is designed for motion control applications requiring moderate backlash and stiffness. Features include backlash as low as 1 arcminute, 22 gear ratios for rated torque up to 2,478 in-lbs (39,648 oz-in), (model dependent), a precision clamping system and lifetime lubrication. Please verify all dimensions when matching a gearbox to a specific motor, as critical dimensions will vary among series and manufacturers.

SPECIFICATIONS

Model #	Gear Ratio (X:1)	Rated Output Torque (in-lb)	Max Output Torque (in-lb)	Rated Input Speed (RPM)	Max Input Speed (RPM)	Stages	Backlash (arcmin)	L2 Length (mm)	Weight (lbs)
GBPS-1151-NM-003-XXXXX-XXX	3	2567	4621	4000	8000	1	1	57	17.2
GBPS-1151-NM-004-XXXXX-XXX	4	2655	4779	4000	8000	1	1	57	17.2
GBPS-1151-NM-005-XXXXX-XXX	5	2567	4621	4000	8000	1	1	57	17.2
GBPS-1151-NM-006-XXXXX-XXX	6	2478	4460	4000	8000	1	1	57	17.2
GBPS-1151-NM-007-XXXXX-XXX	7	2390	4302	4000	8000	1	1	57	17.2
GBPS-1151-NM-008-XXXXX-XXX	8	2124	3823	4000	8000	1	1	57	17.2
GBPS-1151-NM-009-XXXXX-XXX	9	1947	3505	4000	8000	1	1	57	17.2
GBPS-1151-NM-010-XXXXX-XXX	10	1947	3505	4000	8000	1	1	57	17.2
GBPS-1152-NM-012-XXXXX-XXX	12	2567	4621	4000	8000	2	3	100	20.9
GBPS-1152-NM-015-XXXXX-XXX	15	2567	4621	4000	8000	2	3	100	20.9
GBPS-1152-NM-020-XXXXX-XXX	20	2655	4779	4000	8000	2	3	100	20.9
GBPS-1152-NM-025-XXXXX-XXX	25	2567	4621	4000	8000	2	3	100	20.9
GBPS-1152-NM-030-XXXXX-XXX	30	2567	4621	4000	8000	2	3	100	20.9
GBPS-1152-NM-035-XXXXX-XXX	35	2567	4621	4000	8000	2	3	100	20.9
GBPS-1152-NM-040-XXXXX-XXX	40	2567	4621	4000	8000	2	3	100	20.9
GBPS-1152-NM-045-XXXXX-XXX	45	2567	4621	4000	8000	2	3	100	20.9
GBPS-1152-NM-050-XXXXX-XXX	50	2567	4621	4000	8000	2	3	100	20.9
GBPS-1152-NM-060-XXXXX-XXX	60	2478	4460	4000	8000	2	3	100	20.9
GBPS-1152-NM-070-XXXXX-XXX	70	2390	4302	4000	8000	2	3	100	20.9
GBPS-1152-NM-080-XXXXX-XXX	80	2124	3823	4000	8000	2	3	100	20.9
GBPS-1152-NM-090-XXXXX-XXX	90	1947	3505	4000	8000	2	3	100	20.9

Part numbers are based on the specifications of the motor being matched to the gearbox.

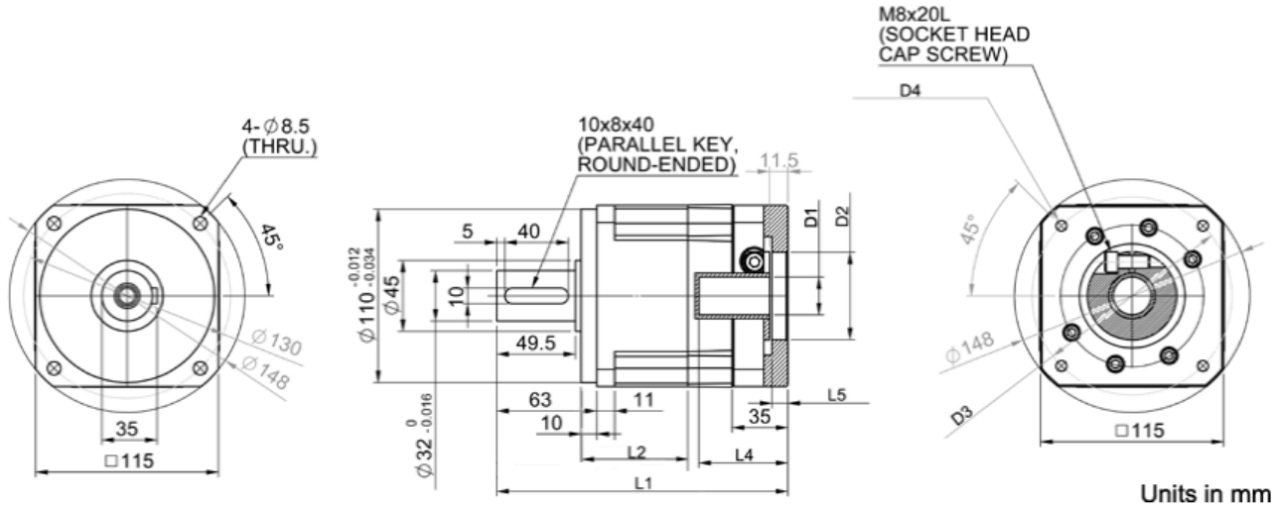
-xxxxx denotes motor pilot, -xxx denotes input shaft diameter.

Refer to *Matching the Gearbox to Your Motor* on the second page for more information, or contact an Anaheim Automation Applications Engineer for assistance.

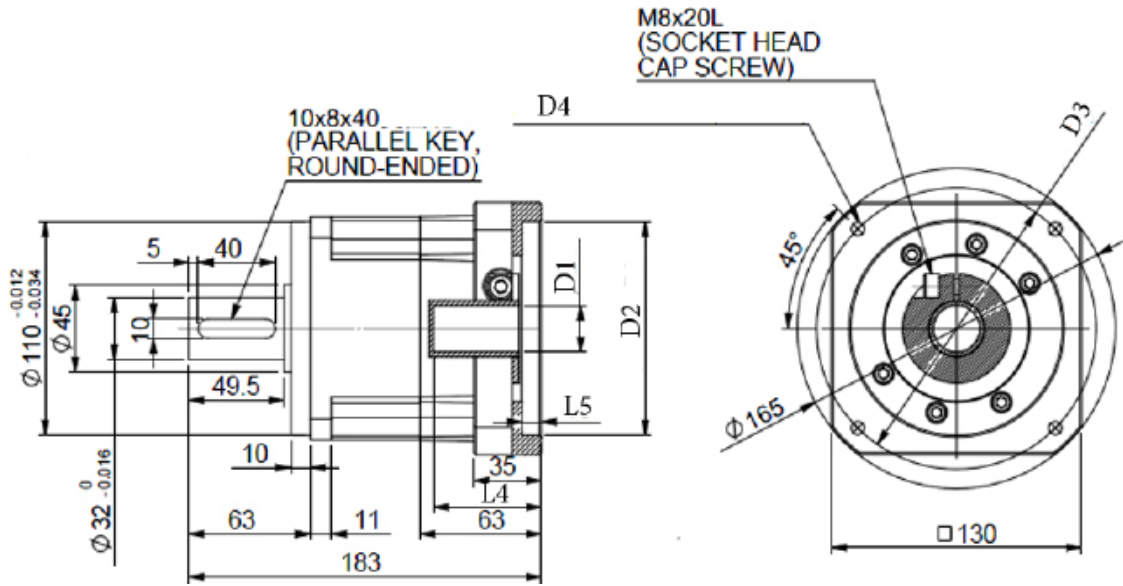
Matching the Gearbox to Your Motor

To ensure compatibility with the gearbox, it is important to consider that the motor specifications are within the listed ranges below. Motor Bolt Circle Diameter, Input Shaft Diameter, Input Shaft Length, Pilot Thickness, Pilot Diameter and Hole Diameter are required in order to match the motor with the appropriate gearbox, and will be used to determine the complete part number. Please see the Gearbox Mounting form downloadable from our website under Support -Technical Support - Installations for more information on required motor data.

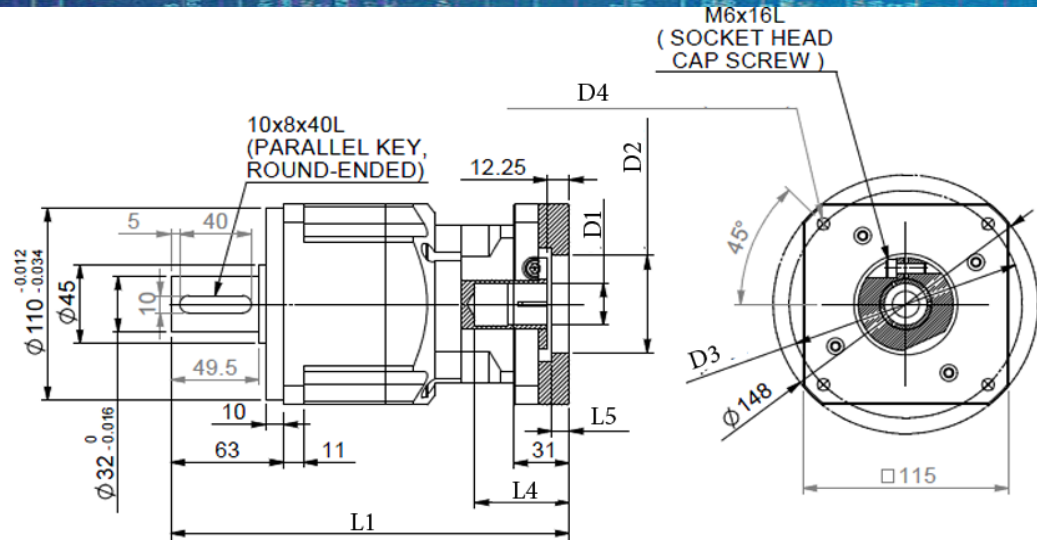
Parameter	Range
Bolt Hole Circle Diameter	115mm Max
Input Shaft Diameter	28mm Max
Input Shaft Length	56mm Max
Pilot Thickness	10mm Max
Pilot Diameter	70mm to 95mm
Hole Diameter	Any Size



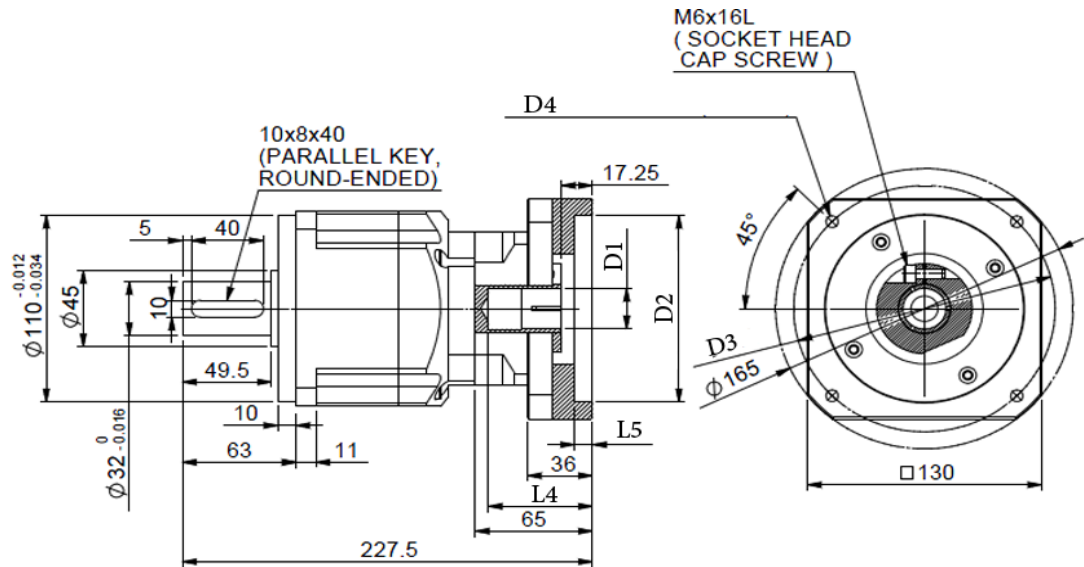
ITEM	DESCRIPTION	MOTOR INTERFACE	
		AA421-750	BLK42-748
D1	Input Shaft Diameter	24	24
L4	Max Shaft Length	56	51
D2	Pilot Diameter	55.5	95
L5	Pilot Depth	10	6
D3	Mounting Bolt Hole Circle	125.7	130
D4	Bolt Hole Size	M8x16	M8x16
L1	Overall Length	183	178



ITEM	DESCRIPTION	MOTOR INTERFACE
		EM130-866
D1	Input Shaft Diameter	24
L4	Max Shaft Length	56
D2	Pilot Diameter	110
L5	Pilot Depth	10
D3	Mounting Bolt Hole Circle	145
D4	Bolt Hole Size	M8x16



ITEM	DESCRIPTION	MOTOR INTERFACE	
		AA421-750	BLK42-748
D1	Input Shaft Diameter	24	24
L4	Max Shaft Length	52.8	52.8
D2	Pilot Diameter	55.5	95
L5	Pilot Depth	10	10
D3	Mounting Bolt Hole Circle	130	130
D4	Bolt Hole Size	M8x16	M8x16
L1	Overall Length	222.5	222.5



ITEM	DESCRIPTION	MOTOR INTERFACE
		EM130-866
D1	Input Shaft Diameter	24
L4	Max Shaft Length	57.8
D2	Pilot Diameter	110
L5	Pilot Depth	10
D3	Mounting Bolt Hole Circle	145
D4	Bolt Hole Size	M8x16



Gearbox Application Sheet

Please return via fax or email: (714) 992-0471, applications@anaheimautomation.com

Name: _____ E-Mail: _____

Company: _____ Phone: _____

Address: _____ Fax: _____

City: _____ State: _____ Zip: _____

Current Quantity Requirements: _____

Estimated Annual Requirements: _____

Motor Specifications:

Units: mm in

Bolt Circle Diameter (D3): _____

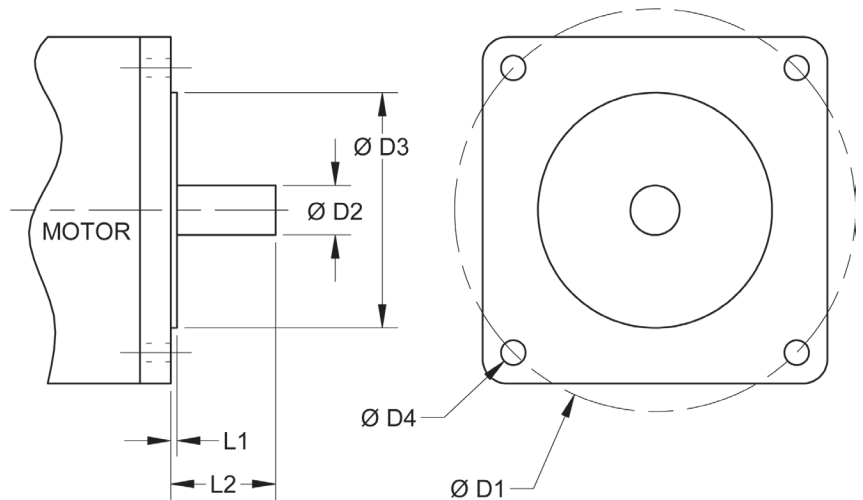
Shaft Diameter (D1): _____

Pilot Diameter (D2): _____

Hole Diameter (D4): _____

Pilot Thickness (L5): _____

Shaft Length (L4): _____



Gearbox Specifications:

Gearbox Part Number: _____

(Please provide an Anaheim Automation Gearbox Part Number if Available)

Please provide any additional information below:

