

ARJOHUNTLEIGH

GETINGE GROUP

FREEDOM BATH

**ASSEMBLY AND INSTALLATION
INSTRUCTIONS**



CE

© ARJO Hospital Equipment AB 2007.

ARJO products are patented or patent pending. Patent information is available by contacting ARJO Hospital Equipment AB.

Our policy is one of continuous development, and we therefore reserve the right to make technical alterations without notice. The content of this publication may not be copied either whole or in part without the consent of ARJO Hospital Equipment AB.

Contents

- Safety Precautions..... 4
- Measurements and Weights 5
- Unpacking and Assembly 6
- Water Installation..... 10
- Electrical Installation 14
- Drain Installation 16
- Tile-in Kit 18
- Commissioning 19

Safety Precautions

Definitions in this manual

WARNING!

Meaning:

Safety warning. Failure to understand and obey this warning may result in injury to you or to others.



Meaning:

This is important information for proper use of this system or equipment

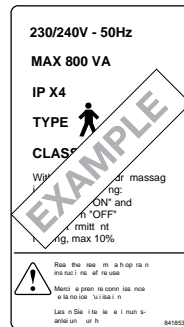
CAUTION!

Meaning:

Failure to follow these instructions may cause damage to parts or systems.

Make sure that the assembly is carried out:

- so the product is in accordance with the data label.



Example of Data label



Example of Type label

- by qualified personnel.
- in accordance with local codes.
- in accordance with local regulations.

WARNING!

The assembly of this unit requires two people (or more) to avoid back injuries.

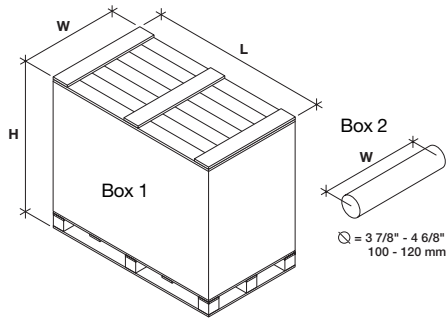
Before installation see also separate Site Preparations document.

When the work is completed check that:

- all details are mounted corresponding to the assembly instructions.
- all parts which can touch the patient do not have sharp edges or cracks.
- all hoses, pipes and connections are intact and free from water leaks.
- all hoses and pipes get free from movable parts of the unit.
- all functions of the bath work normally. Adjust if necessary.

Measurements and Weights

Box



The Freedom Bath is delivered in box 1
Box 2 contains installation kit

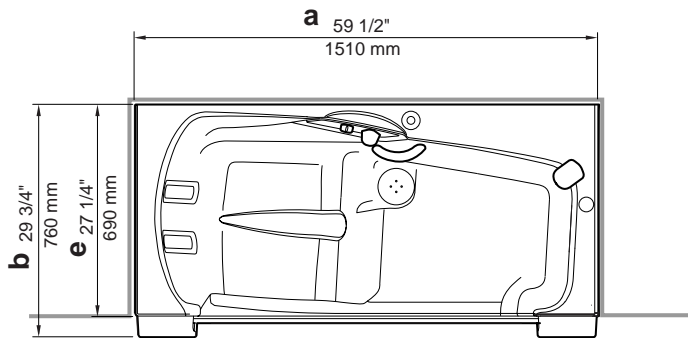
Measurements:

L Length	W Width	H Height
1645 mm (64 3/4")	915 mm (36")	1370 mm (54")

Shipping weights:

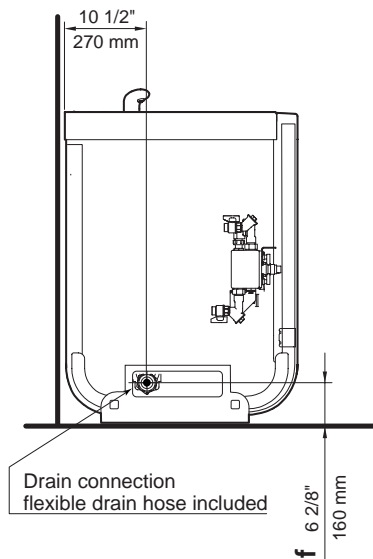
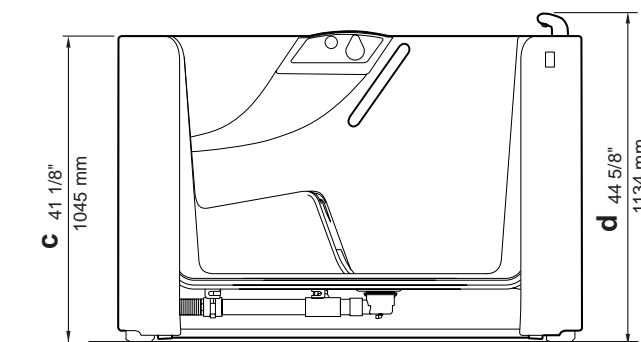
Model	Weight with built-in water control	Weight without built-in water control
Still bath	152 kg (335 lb)	142 kg (313 lb)
Air spa	162 kg (357 lb)	152 kg (335 lb)

Freedom Bath



Measurements:

a	Length
b	Width
c	Height
d	Height, spout
e	Recommended depth of alcove
f	Distance (c/c) drain-floor



Freedom Bath is available in right-hand version only!

Weights:

Model	Weight with built-in water control	Weight without built-in water control
Still bath	130 kg (287 lb)	120 kg (264 lb)
Air spa	140 kg (309 lb)	130 kg (287 lb)

Unpacking and Assembly

Preparations

Remove the wooden lid, and then the box covering the product. Check the contents of the inside boxes with included parts.

Floor attachments

The sliding rails provided in the installation kit have to be used when installing Freedom Bath. The floor construction must be suitable for anchoring the bolts.

For exact positioning of the two sliding rails a template is provided. (See figure 1.)

- 1 Place the template on the floor with the back edge against the finished wall, and flatten it out so that no creases are present.
- 2 Center the template so that the space around the edges is even if you are in an alcove and located where you want the edge in all other installations.
- 3 Place the sliding rails on the corresponding drawings on the template.
- 4 Use a sharp pointy (Nail, punch etc) object to mark out the center of the attachment holes onto the surface underneath the template.
- 5 Remove the sliding rails and the template for now.
- 6 Drill the anchoring holes and attach suitable anchors depending on your floor structure.
- 7 Make sure that the anchors are fully inserted into the floor and that they are not protruding.
- 8 Place the sliding tracks in position. (See figure 2.)
- 9 Place a short level on the left rail and level it by placing the necessary amount of adjustment spacers underneath the rail.
- 10 Place a 4' level between the back of the two rails and level them using the necessary amount of adjustment spacers underneath the right hand rail.
- 11 Spacers are not always needed; please note that the fewer used the better.
- 12 Level the right rail in the same manner as the left rail, placing adjustment spacers as needed under the front of the rail.
- 13 Secure the anchors and verify one last time that the rails are level in all directions. This is very important as there are no adjustment possibilities once the tub is installed.

Available kits (For special installations)

For the in this manual described alternatives for water and drainage installations, the following kits are available (See figure 3):

AFA0090:

- 1 Drainage pump with accessories

AFA0025:

- A 2 water hoses 2400mm (94 4/8")
- B 2 holders
- C 4 ties

AFA0045

- A 1 coupling 90° 1 1/2"
- B 1 drain pipe
- C 2 holders
- D 4 ties

Special tools

Not applicable

Pre-placement

Prior to moving the bath into final position, check:

Water service, stop and mixing valves, lines, spout etc. (See *Water Installation on page 10*).

Provision is made for electrical service to interior junction box. (See *Electrical Installation on page 14*).

House drain system ready for hook-up. (See *Drain Installation on page 16*).

Connect to the water supply for HOT and COLD water.

Flush the connection hoses prior to connecting to the mixer.

Figure 1. Floor attachment kit

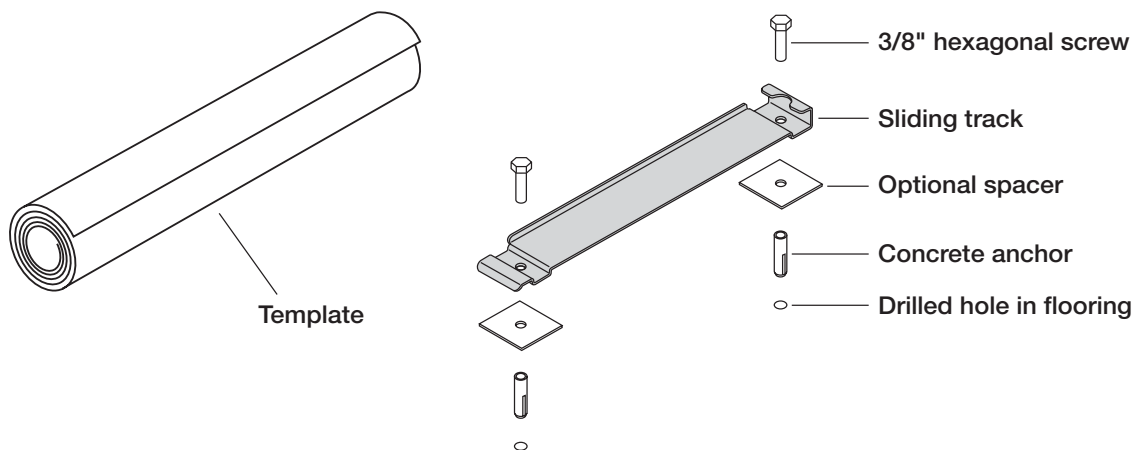


Figure 2. Sliding tracks mounted in alcove layout

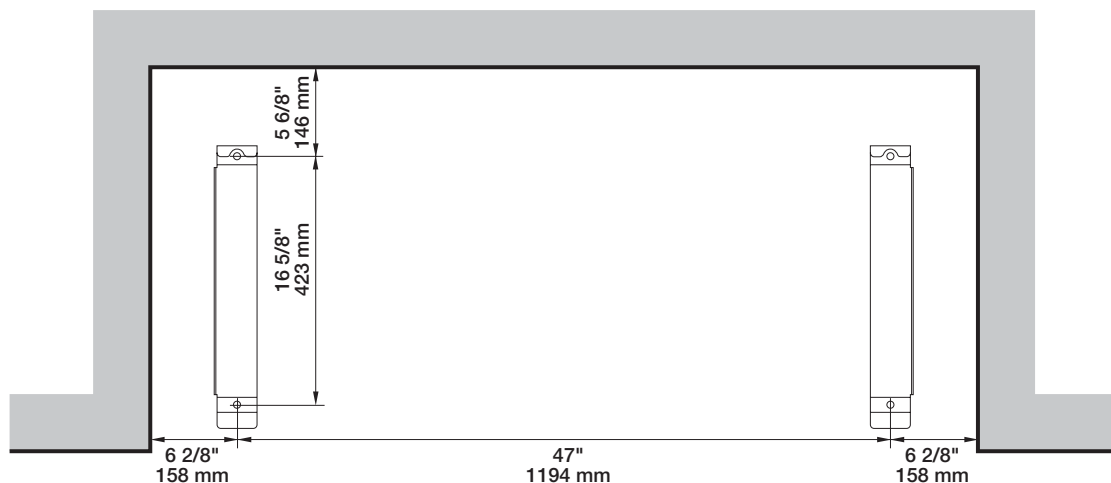
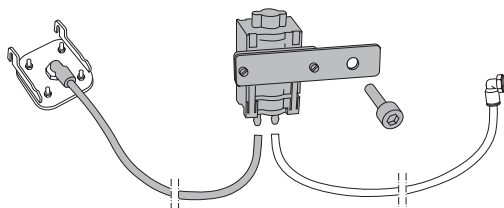
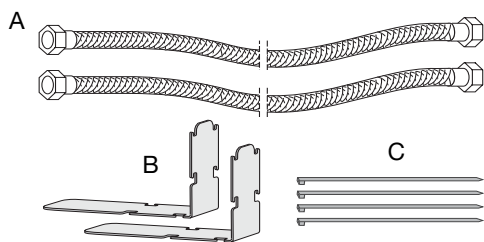


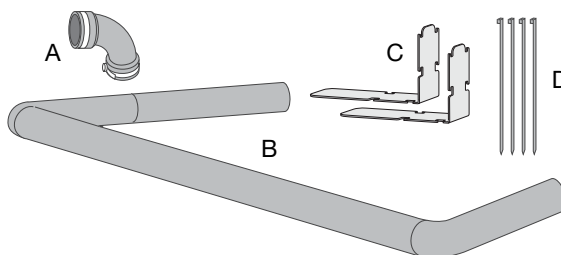
Figure 3. Available kits (for special installations)



Kit AFA0090



Kit AFA0025



Kit AFA0045

Positioning of Freedom Bath

- 1 Place Freedom Bath into final position.
By moving Freedom Bath only use the on the illustration marked areas. (See figure 1.) Do not lift, push, shove or pull the Freedom Bath outside the shown areas.

WARNING!

Lifting, pushing, shoving or pulling the Freedom Bath outside the marked areas can damage the product and can cause injury to the people or the equipment.

CAUTION!

Extra help may be needed to move and adjust the position of the unit without damage to the finish or components.

- 2 After positioning the tub, check that all utilities are in correct relationship to the unit.
- 3 Remove the transport protection placed above the power box. (See figure 2.)

Anchoring

The sliding tracks that Freedom Bath is mounted on double as anchoring. No extra anchoring is therefore required.

Start

- Remove the service cover on the right side by unscrewing and unhooking. (See figure 3.)
- Connect electrical service to junction box.
(See *Electrical Installation on page 14*).
- Connect to the water supply system for HOT and COLD water.
- Connect tub drain to house drain system.
(See *Drain Installation on page 16*).
- Turn main power on.
The Power ON is indicated by light in the display.

Figure 1. Moving Freedom Bath

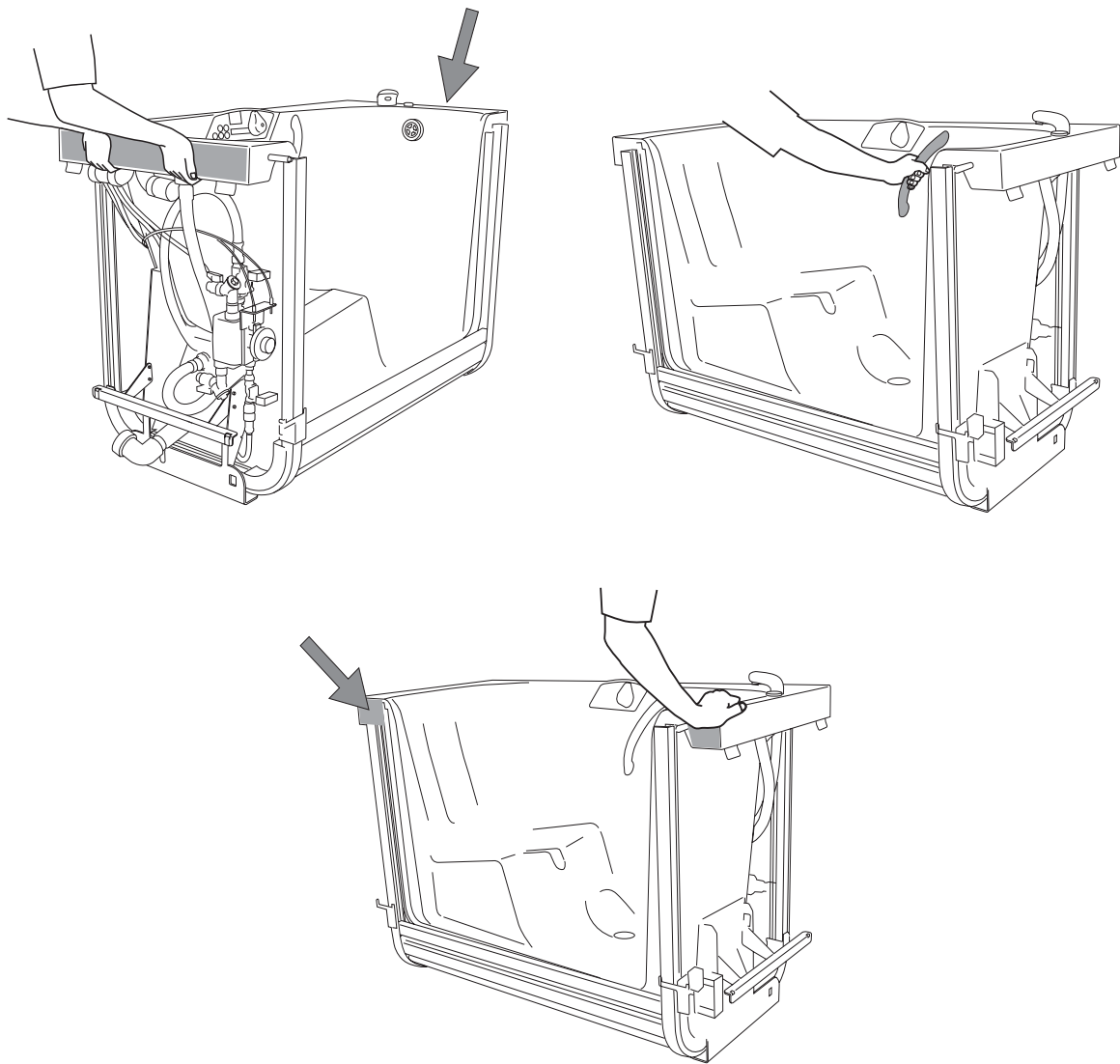


Figure 2. Remove transport protection

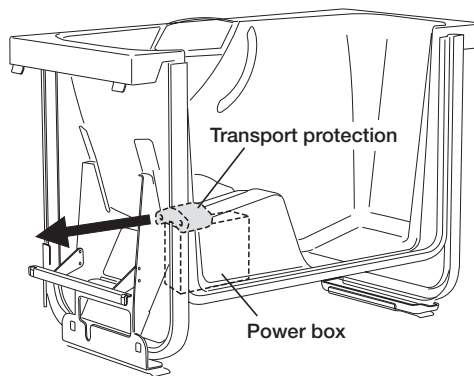
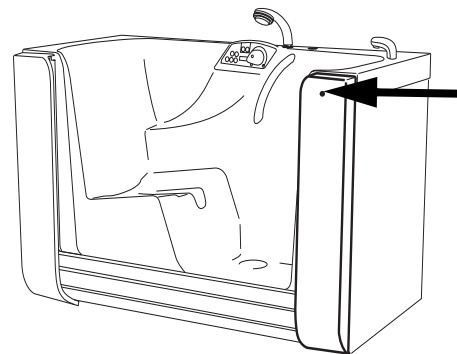


Figure 3. Remove service cover



Water Installation

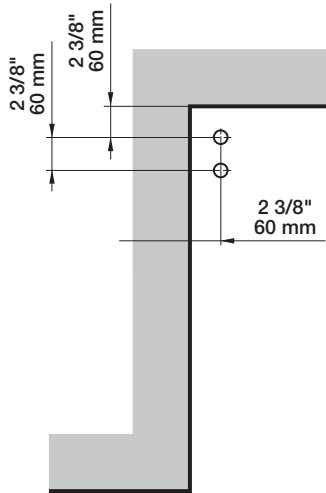
Correct conditions for installation

- 1 Connect water hoses to the water inlets for hot and cold water in the floor.
- 2 Push the Freedom Bath halfway into the alcove and connect the other ends of the water hoses to the hot/cold water inlets on the tub.

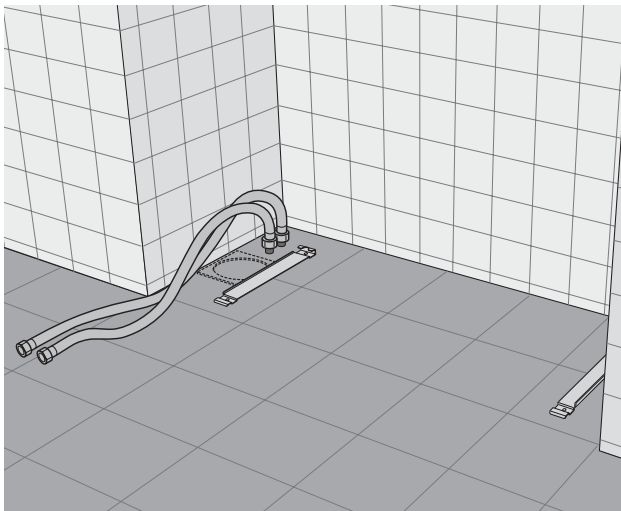
Slide - in

- 3 Lift up the rear part of the tub a bit to get it on the sliding tracks.
If the tub is in an alcove the side cover will have to be mounted prior to fully sliding the tub in place.
- 4 Push the tub until it is in the end position.
- 5 Mount the cover.
- 6 Secure the tub with the two locking plates.
The locking plate has to be positioned behind the floor attachment.

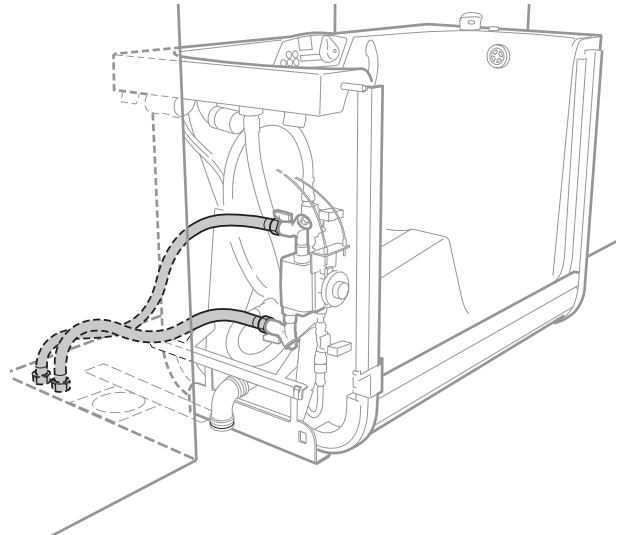
ARJO recommended water supply - floor



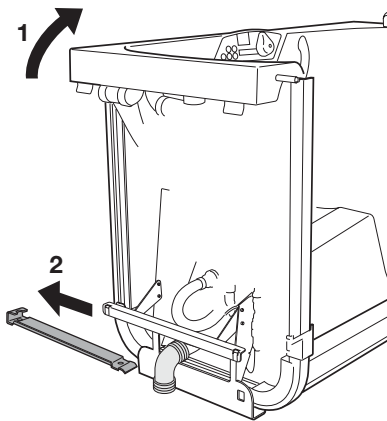
1



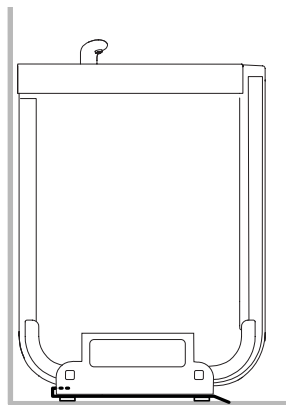
2



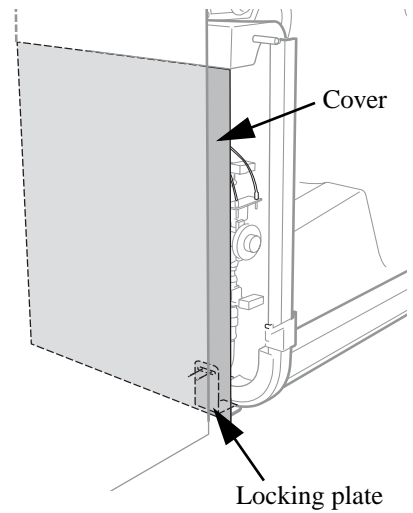
3



4

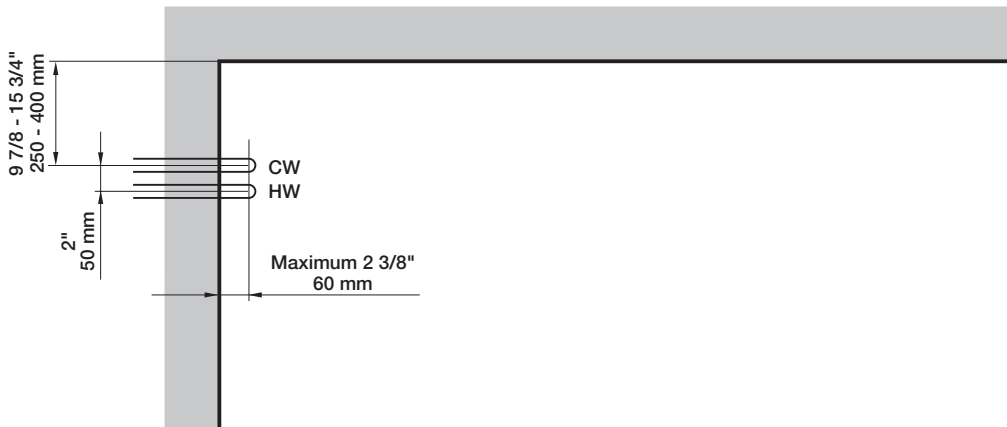
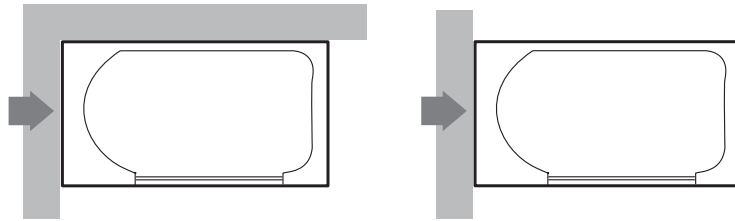


5

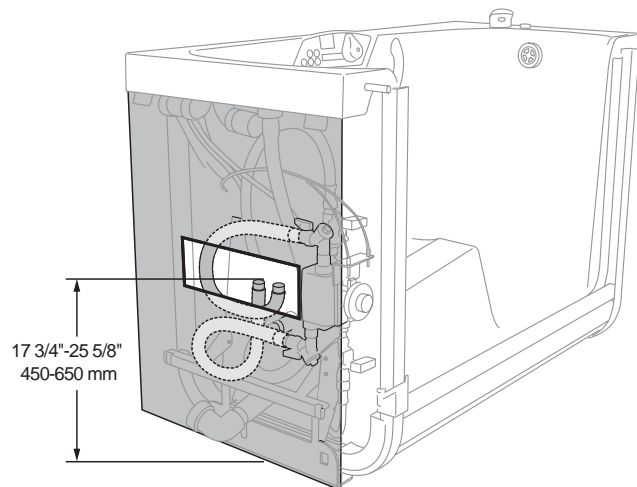
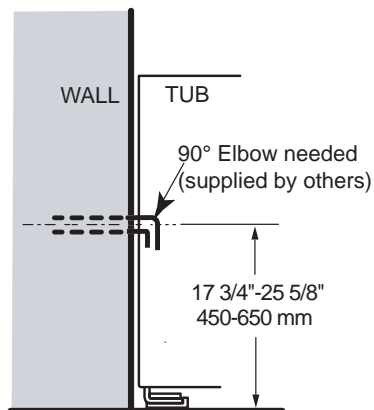


Water connections in wall (left side of tub)

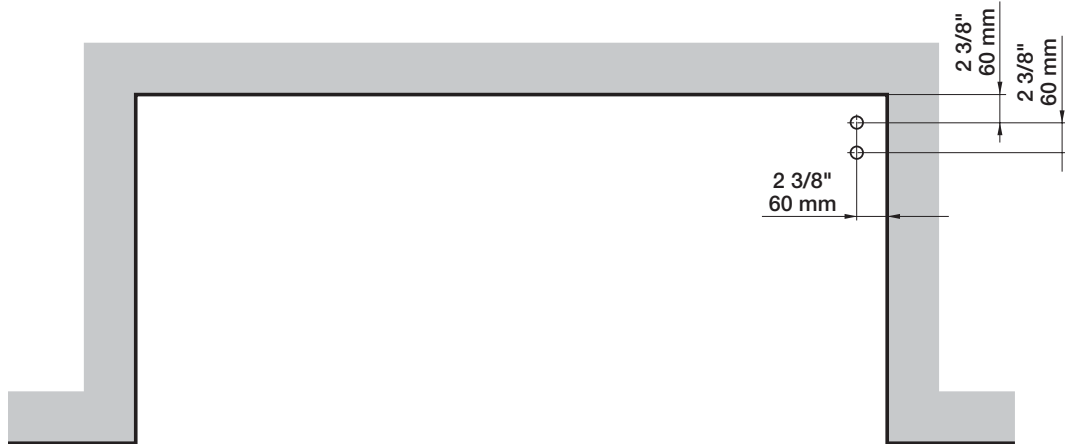
Connections are not possible when the tub is placed in an alcove, due to stubs-out prevent from pushing the tub in place.



Water connection on left side from wall: cut an opening in the service cover

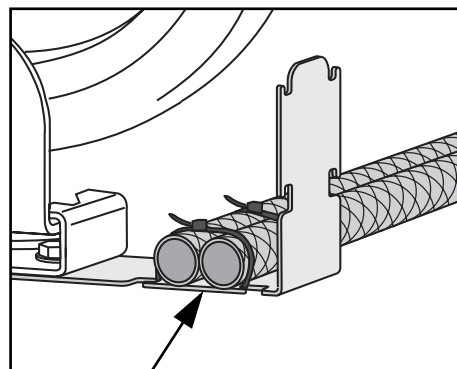
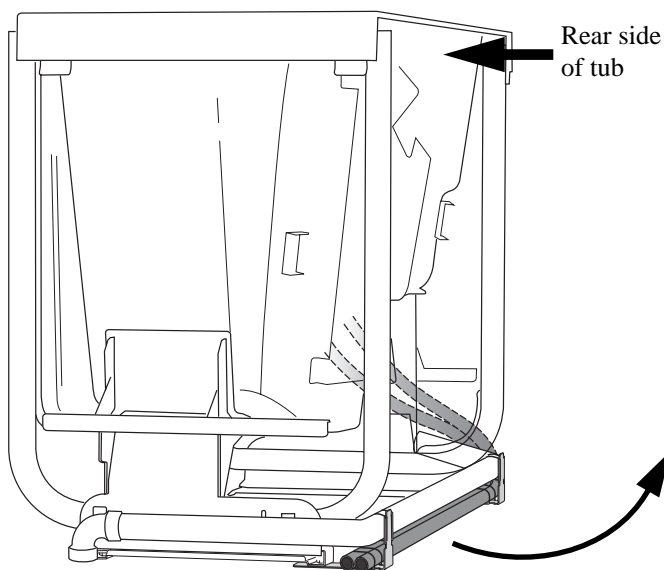
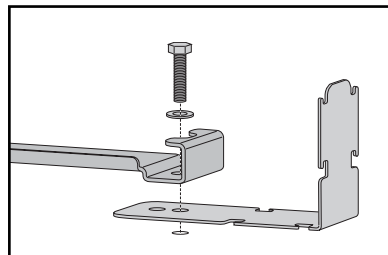


Water connections on right hand side. Use kit AFA0025



Prior to installation of right hand side water connection, mount holders under the rear side of each sliding track.

If needed, compensate the level by adding adjustment spacer(s) at front ends of the sliding tracks.



Fasten water hoses with two ties at each holder.


Electrical Installation

- First check that the electrical supply corresponds with the information on the data label.
- The unit must be permanently installed.
- The unit must be continuously powered.


The unit shall be electrically connected with the following equipment (not included in delivery):

- Separate fuse.
- Ground fault circuit interrupter (10mA)
- Safety switch, according to regulations and local codes.
- Mains cable (3x16AWG / 3x1.5 mm²)

Connect the wires as described below, Europe:

- Neutral to the blue wire (N)
- Phase to the brown wire (L)
- Protective earth to the yellow/green wire (PE) 

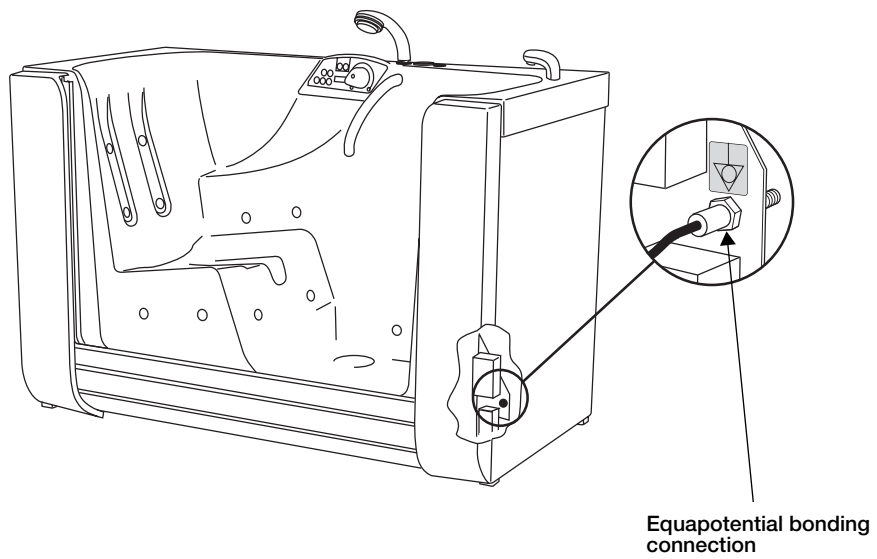
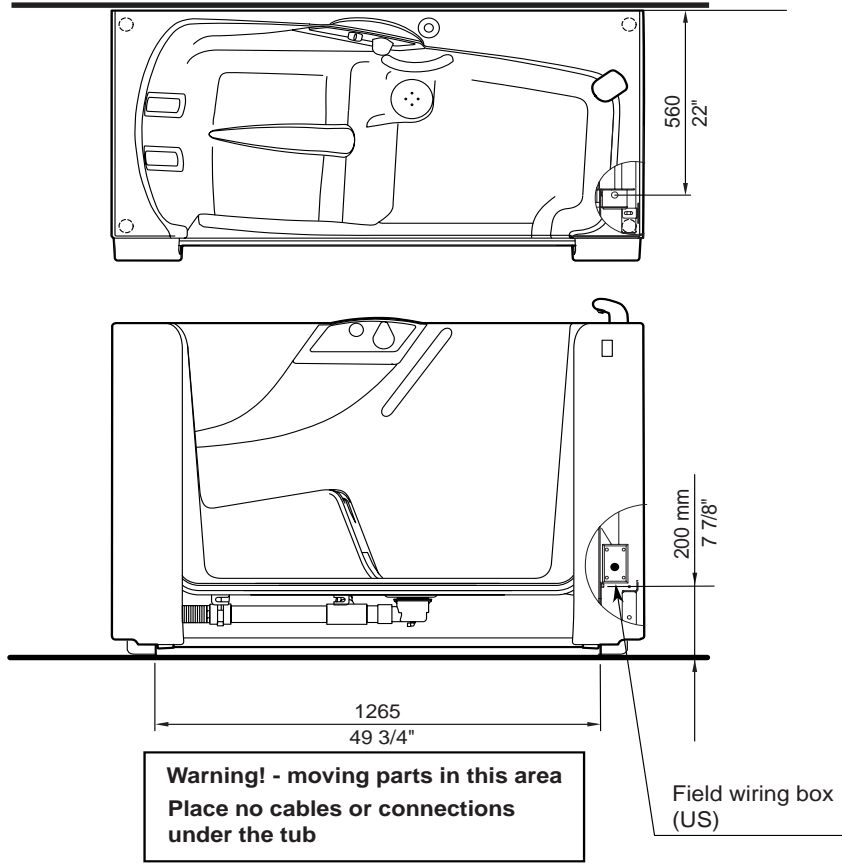
Connect the wires as described below, US and Canada:

- Neutral to the white wire (N)
- Phase to the black wire (L)
- Protective earth to the green wire (PE) 

The unit must be permanently connected to the mains when used in USA and Canada. All electrical installations must comply with the US National Electrical Code and the Canadian Electrical Code respectively.

Equipotential bonding connection

Connect the equipotential bonding cable for accessing the equipotential bonding point to the unit, open the service cover to the right of the tub.



Drain Installation

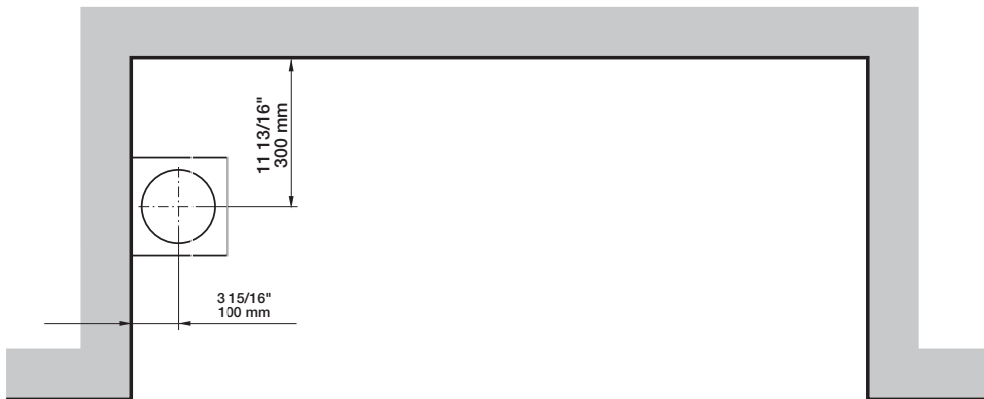
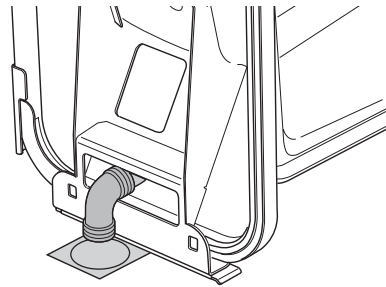
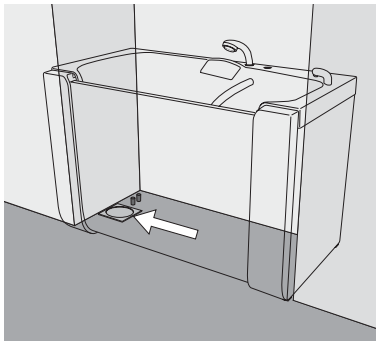
Connections must be done in accordance with local regulations.

The Freedom Bath waste plumbing is shipped partially assembled to permit the installer options in assembly sequence.

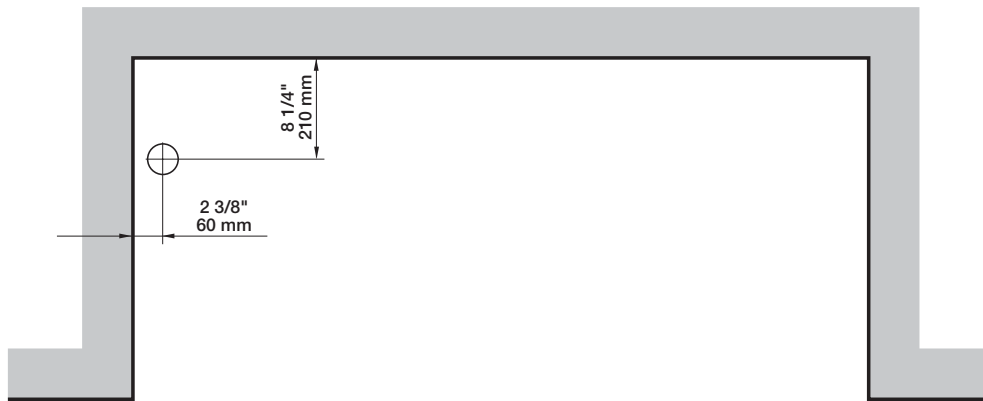
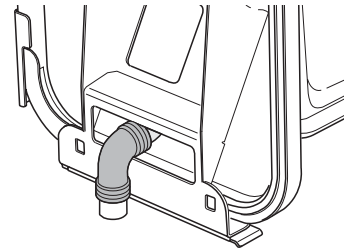
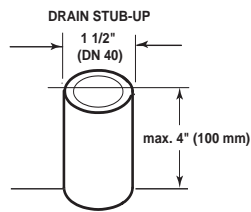
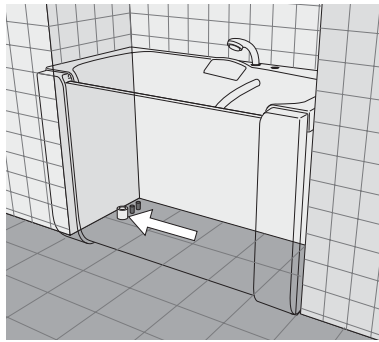
Drain installation alternatives

- 1 ARJO recommends a floor sink drain. (See figure 1.)
- 2 Direct drain connection with stub up due to local regulations. (See figure 2.)
- 3 Drain on right hand side. (See figure 3.)

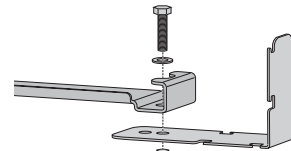
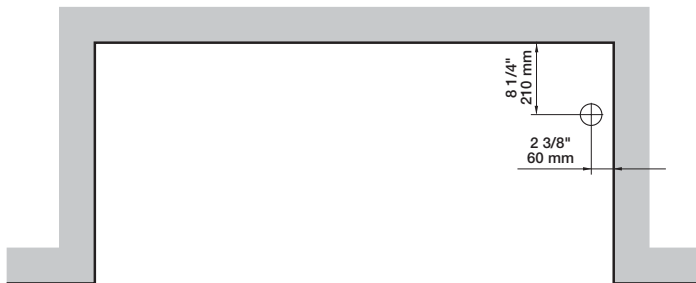
1 ARJO recommended floor sink drain



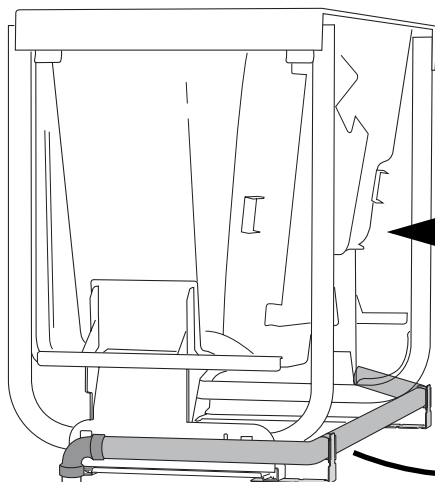
2 Direct drain connection with stub-up



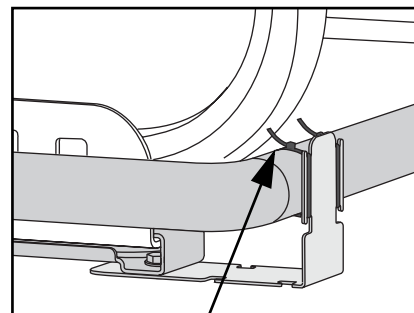
3 Drain connection on right hand side with stub-up. Use kit AFA0045



Prior to installation of right hand side drain connection, mount holders under the rear side of each sliding track. If needed, compensate the level by adding adjustment spacer(s) at front ends of the sliding tracks.



Rear side of tub

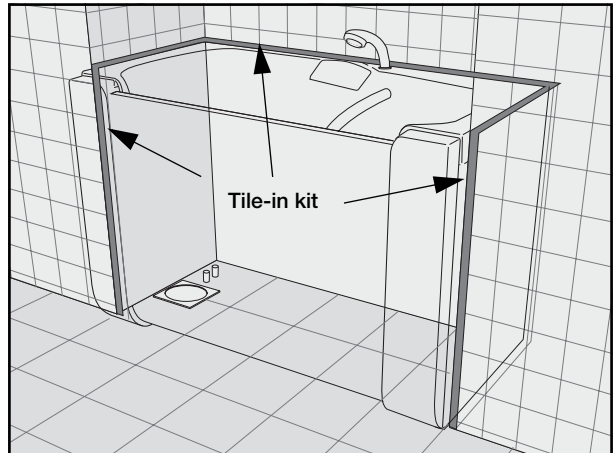


Fasten drain pipe with two ties at each holder

Tile-in Kit

When a water protection is wanted between tub rim and wall the optional tile-in kit should be used.

The tile-in kit consists of three flexible seals of equal length, each 63" (160 cm), that can be placed between tub and wall. The tile-in kit can be applied horizontally as well as vertically.

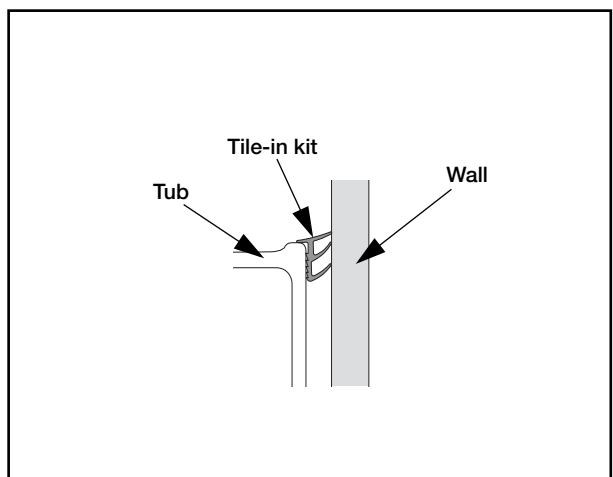
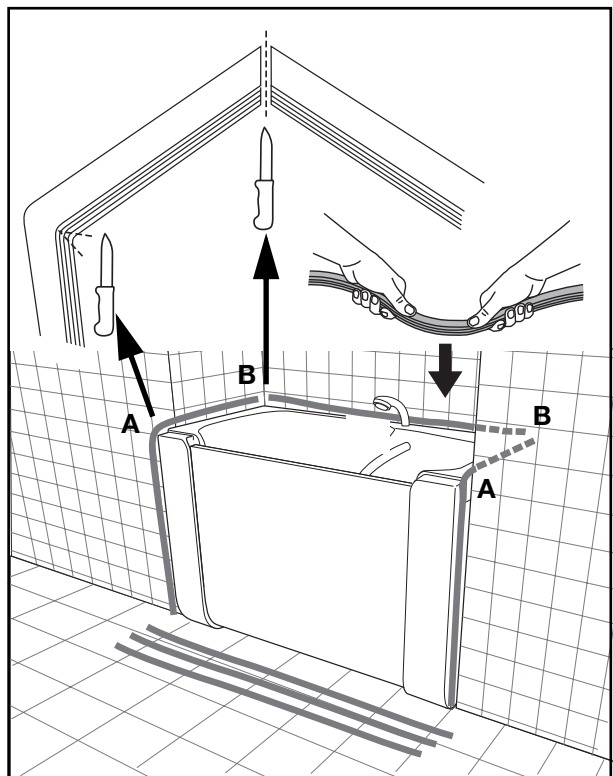


Attachment of tile-in kit

- 1 Apply the three pieces of flexible seal between tub and wall.
- 2 If the seal buckles in the corners **A** the inner/lower parts can be cut with a sharp knife.
- 3 Cut the ends of flexible seals at points **B** in 45 ° angle.
- 4 If you find it hard to get the seal in place a little water will work well as a lubricant.

NOTE!

Do not use any type of caulking or silicone as the seal must be removable.



Commissioning

Check list to be included in your local installation procedures *(Reference Operating and Product Care Instructions)*

- Raise the door, seal the drain and door
- Fill the tub with water
- Check the mixer
- Check the shower functions
- Control that the tub is shutting off at autofill
- Test the air spa/hydromassage (if applicable) for leakage
- Empty the tub and check for leakage
- Ensure that the locking device engages
- Check the door function (lift accessible)
- Check pump function (if applicable)
- Clean with a cloth
- Make sure that the maximum hot water temperature available before leaving customer site

Adjust the thermostat

For the UK market:

Regarding the thermostatic mixer, FMM5193-9011, see the completing document (10.AR.02/GB).

When the installation is completed the thermostat mixer must be calibrated as follows:

WARNING!

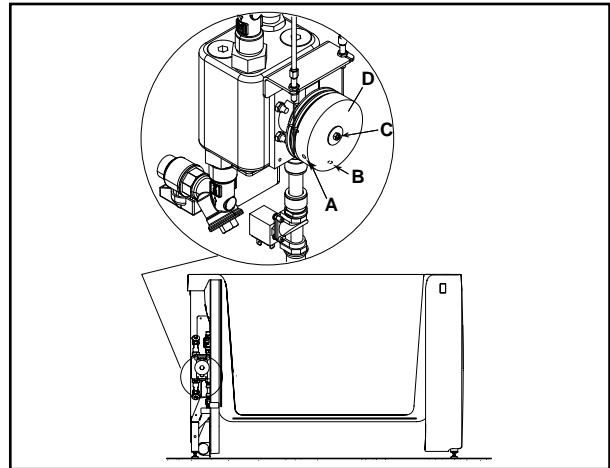
Failure to calibrate the thermostat mixer may cause scalding.

WARNING!

Make sure that the HOT water supply has a stable temperature and represents the maximum hot water temperature available before the calibration procedure starts. Record the temperature value of the hot water supply in the commissioning report.

- 1 Move the door half-up by pushing the DOOR UP-button.
- 2 Activate the seal by pushing the SEAL-button.
- 3 Remove the left service cover from the tub.
- 4 Turn the knob on the control panel to the warmest level (counter clockwise).
- 5 Loosen the two stop screws (A and B) on the wheel (D).
- 6 Push the shower button to start the shower.
- 7 Adjust the temperature with screw (C) on the mixer until the display shows 42 °C (109°F).
Warmer = CCW, Colder = CW
Do not turn the wheel (D).

- 8 Fasten the two stop screws A+B
- 9 Turn the knob clockwise to cold and then back to maximum heat.
Check that the thermometer still shows 42°C .
- 10 Put the service cover in place.



Testing -power operated door

A. The standard door function

- 1 Push and hold the DOOR DOWN button and the door shall run smoothly down.
- 2 Let the door stop in the position of the inner bottom (the seal should not be seen).
- 3 Push and hold the DOOR UP-button. The door shall move up smoothly.

The motor shall stop without noise when the door reaches the upper position.

If this does not happen, consult an ARJO service technician.

It should be possible to push the door down by hand when the door is in upper position (the seal should **not** be inflated). A clicking sound will be heard and is normal. This procedure should only be performed when the door function is disturbed (for instance by power failure).

B1. The optional Lift-Accessible door function

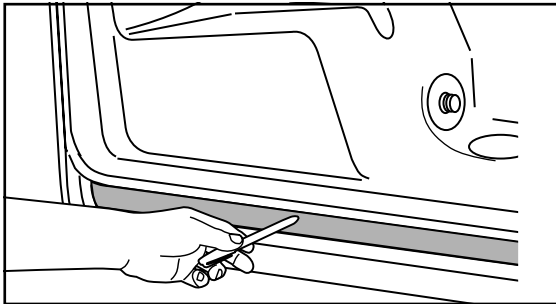
- 1 Push and hold the DOOR DOWN button and the door shall move smoothly down.
- 2 Let the door stop in the position of the inner bottom (the seal should not be seen).
- 3 Momentarily press DOOR DOWN.
The door should move smoothly in under the tub. The motor shall stop without noise when the door reaches about 450 mm (18") in under the tub.
If this does not happen, consult an ARJO service technician.

- 4 Momentarily press DOOR UP.
The door should move smoothly to the position of tub inner bottom (the seal should not be seen).

If the door during this procedure moves backwards under the tub without any visible reason, check with an ARJO service technician.

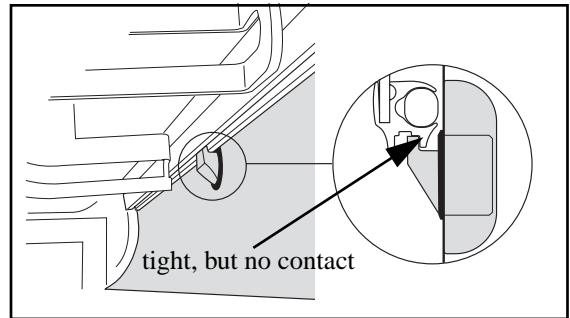
B2. The optional Lift-Accessible door function - test of jam protection

- 1 Push and hold the DOOR DOWN button and the door shall run smoothly down.
- 2 Let the door stop in the position of the inner bottom (the seal should not be seen).
- 3 Momentarily press DOOR DOWN.
The door should move smoothly in under the tub. The motor shall stop without noise when the door reaches about 450 mm (18") in under the tub. If this does not happen, the tub must not be used before inspection by an ARJO service technician.
- 4 Momentarily press DOOR UP.
The door should move smoothly to the position of tub inner bottom. Before this position, put a pencil between the door and the seal profile to prevent continued movement. The door **shall move backwards** when the pencil is hit. If this does not happen, consult an ARJO service technician.



Check the door lock

- 1 With the right cover removed, run the door to top position. Observe from the side of the tub, the position of the door lock in relation to the door profile.
- 2 The position should be according to the picture below. If adjustment is needed, consult an ARJO service technician.



AUSTRALIA

ArjoHuntleigh Pty Ltd
78, Forsyth street
O'Connor
AU-6163 Western Australia
Tel: +61 89337 4111
Free: +1 800 072 040
Fax: + 61 89337 9077

BELGIQUE / BELGIË

ArjoHuntleigh NV/SA
Evenbroekveld 16
B-9420 ERPE-MERE
Tél/Tel: +32 (0) 53 60 73 80
Fax: +32 (0) 53 60 73 81
E-mail: info@arjohuntleigh.be

CANADA

ArjoHuntleigh Canada Inc.
1575 South Gateway Road
Unit "C"
MISSISSAUGA, ON, L4W 5J1
Tel/Tél: +1 905 238 7880
Free: +1 800 665 4831 Institutional
Free: +1 800 868 0441 Home Care
Fax: +1 905 238 7881
E-mail: info.canada@arjohuntleigh.com

ČESKÁ REPUBLIKA

ARJO Hospital Equipment s.r.o.
Hlinky 118
CZ- 603 00 BRNO
Tel: +420 549 254 252
Fax: +420 541 213 550

DANMARK

ArjoHuntleigh A/S
Vassingerødvej 52
DK-3540 LYNGE
Tel: +45 49 13 84 86
Fax: +45 49 13 84 87
E-mail: info.dk@arjohuntleigh.com

DEUTSCHLAND

ArjoHuntleigh GmbH
Peter-Sander-Strasse 10
D-55252 MAINZ-KASTEL
Tel: +49 (0) 6134 186 0
Fax: +49 (0) 6134 186 160
E-mail: info-de@arjohuntleigh.com

ΕΛΛΑΔΑ

C. Psimitis Co Ltd
Dimitriou Andr. 59
GR-16121 KAISARIANI ATTIKIS
Τηλ: 21 0724 36 68
Φάξ: 21 0721 55 53

ESPAÑA

ArjoHuntleigh Ibérica S.L.
Ctra. de Rubí, 88 1ª planta - A1
08173 Sant Cugat del Vallés
ES- BARCELONA 08173
Tel: +34 93 583 11 20
Fax: +34 93 583 11 22
E-mail: info.es@arjohuntleigh.com

FAR EAST

ARJO Far East Limited
Unit 3A, 4/F., block B Hoi Luen
Industrial Centre
55 Hoi Yuen Road,
Kwun Tong, Kowloon
HONG KONG
Tel: +852 2508 9553
Fax: +852 2508 1416

FRANCE

ArjoHuntleigh SAS
2 Avenue Alcide de Gasperi
BP 133
59436 RONCQ CEDEX
Tél: +33 (0) 3 20 28 13 13
Fax: +33 (0) 3 20 28 13 14
E-mail : info.france@arjohuntleigh.com

INTERNATIONAL

ArjoHuntleigh International Ltd.
310-312, Dallow Road
Luton
UK-BEDFORDSHIRE LU1 1TD
Tel: +44 1582 745800
Fax: +44 1582 745866
E-mail:
international@arjohuntleigh.com

ITALIA

ArjoHuntleigh S.p.A.
Via di Tor Vergata 432
00133 ROMA - ITALIA
Tel: +39 (0) 6 87426211
Fax: +39 (0) 6 87426222
E-mail: Italy.promo@arjohuntleigh.com

NEDERLAND

ArjoHuntleigh Nederland BV
Biezenwei 21
4004 MB TIEL
Postbus 6116
4000 HC TIEL
Tel: +31 (0) 344 64 08 00
Fax: +31 (0) 344 64 08 85
E-mail: info.nl@arjohuntleigh.com

NORGE

ArjoHuntleigh Norway AS
Ryenstubben 2
NO-0679 OSLO
Tel: +47 22 08 00 50
Faks: +47 22 08 00 51
E-mail: post@arjo.no

POLSKA

ArjoHuntleigh Polska Sp. z o.o.
ul. Ks Piotra Wawrzyniaka 2
PL 62-052 KOMORNIKI (Poznan)
Tel: +48 61 662 15 50
Fax: +48 61 662 15 90
E-mail: arjo@arjohuntleigh.com

PORTUGAL

ArjoHuntleigh em Portugal:
MAQUET Portugal, Lda. (Distribuidor Exclusivo)
Rua Poeta Bocage n.º 2 - 2G
1600-233 Lisboa, Portugal
Tel: +351 214 189 815
Fax: +351 214 177 413
E-mail: Portugal@arjohuntleigh.com

SUISSE / SCHWEIZ

ArjoHuntleigh AG
Florenzstrasse 1d
Postfach
CH-BASEL4023
Tél/Tel: +41 (0) 61 337 97 77
Fax: +41 (0) 61 311 97 42

SUOMI

ArjoHuntleigh OY
Vanha Porvoontie 229
FI-01380 VANTAA
Puh: +358 9 4730 4320
Faksi: +358 9 4730 4999

SVERIGE

ARJO Scandinavia AB
Verkstadsvägen 5
Box 61
SE-241 21 ESLÖV
Tel: +46 (0) 413 645 00
Fax: +46 (0) 413 645 83
E-mail: kundservice@arjohuntleigh.com

UNITED KINGDOM

ArjoHuntleigh International Ltd.
310-312, Dallow Road
Luton
UK-BEDFORDSHIRE LU1 1TD
Tel: +44 1582 745700
Fax: +44 1582 459100
E-mail:
sales.admin@huntleigh-healthcare.com

USA

ArjoHuntleigh Inc.
2349 W Lake Street Suite 250
Addison, IL 60101
Tel: +1 630 307 2756
Free: +1 800 323 1245 Institutional
Free: +1 800 868 0441 Home Care
Fax: +1 630 307 6195
E-mail: us.info@ArjoHuntleigh.com

ÖSTERREICH

ArjoHuntleigh GmbH
Dörrstrasse 85
AT-6020 INNSBRUCK
Tel: +43 (0) 512 204 160 0
Fax: +43 (0) 512 204 160 75

ARJOHUNTLEIGH

GETINGE GROUP

GETINGE GROUP is a leading global provider of products and systems that contribute to quality enhancement and cost efficiency within healthcare and life sciences. We operate under the three brands of **ArjoHuntleigh**, **GETINGE** and **MAQUET**. **ArjoHuntleigh** focuses on patient mobility and wound management solutions. **GETINGE** provides solutions for infection control within healthcare and contamination prevention within life sciences. **MAQUET** specializes in solutions, therapies and products for surgical interventions and intensive care.

www.ArjoHuntleigh.com

 **ArjoHuntleigh AB**
Verkstadsvägen 5
241 38 Eslöv
SWEDEN