



SIEMENS

Ingenuity for life

SENTRON Busway Systems

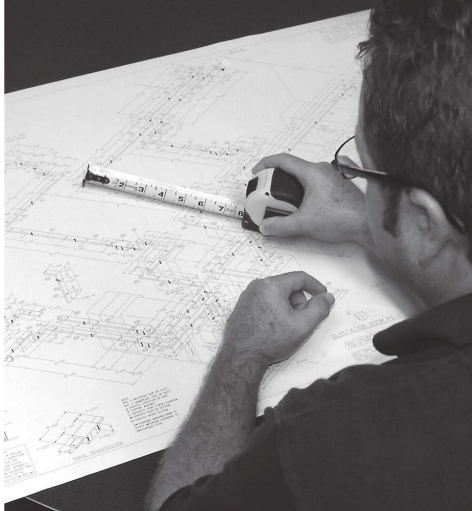
Selection and Application Guide

www.siemens.ca/powerdistribution

Sentron Busway Systems

Power II Fit Program

Save time and money by eliminating uncertainty in Busway measurements



Power II Fit Program

www.usa.siemens.com/busway

SIEMENS

What is the PowerII Fit Program?

Siemens PowerII Fit (PIIF) Program compensates for dimensional deviations that may result in busway layouts. With the PIIF Program, specific dimensions on straight sections and/or elbows may be left out of factory released drawings. After the busway run has been installed (minus PIIF pieces), final measurements are taken and sent to the factory. The PIIF Program guarantees shipment of straight sections and/or 90 degree angle elbows within 5 business days for IP40 (indoor) and 8 business days for NEMA 3R (outdoor), upon receipt of the PIIF Order Form. The PIIF Program may be used with SENTRON.

Why use the PowerII Fit Program?

The PIIF Program can save you both time and money by eliminating uncertainty in busway measurements. When you take advantage of the PIIF Program, your busway runs fit exactly the first time, eliminating incorrect pieces and costly reordering time.

When should the PowerII Fit Program be used?

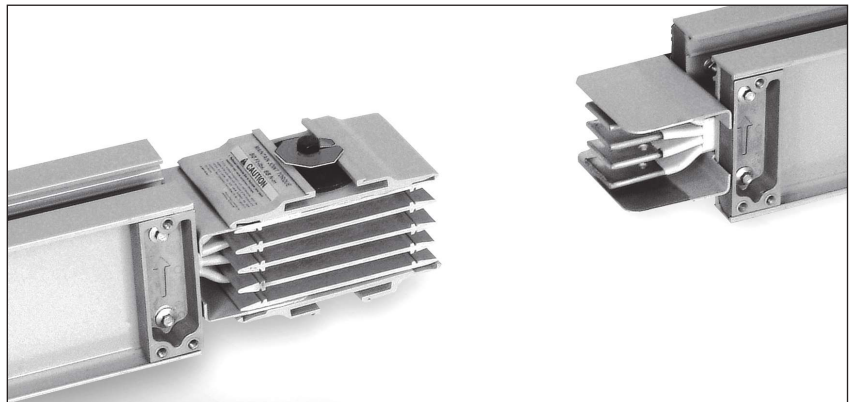
The PIIF Program will benefit you when you are uncertain of exact dimensions on long busway runs and when difficult contour situations require special attention.

Program Details

- Product Line: SENTRON.
- Pricing: Included with original order entry.
- Quantity: A maximum of 5 pieces per order.
(Straight feeder sections and/or 90 degree elbows.)
- Shipment: 5 business days for IP40 (indoor) and 8 business days for NEMA 3R (outdoor), after receipt of PIIF Order Form. All orders ship via standard carrier originating from Spartanburg, SC. Optional air freight shipments available when customer assumes shipping cost.

Ordering Details

- Identify Siemens Busway PIIF Pieces at time of original order. Busway Customer Service approves PIIF Pieces.
- Fax PIIF Order Form to Busway Customer Service when exact measurements are known.
- Busway Customer Service acknowledges PIIF Order and PIIF pieces ship within 5 business days for IP40 (indoor) and 8 business days for NEMA 3R (outdoor).



Sentron Busway Systems

Table of Contents

| | |
|-----------------------------------------------------|----------------|
| Overview | <u>2 – 3</u> |
| Bus Plug Overview | <u>4</u> |
| Catalog Numbering System | <u>5</u> |
| Technical Data | <u>6 – 7</u> |
| Straight Sections — Plug-in, Riser and Feeder | <u>8</u> |
| Widths and Weights | <u>9</u> |
| Elbows | <u>10 – 11</u> |
| Offsets | <u>12</u> |
| Combinations | <u>13</u> |
| Tees | <u>14</u> |
| End Tap Boxes | <u>15 – 16</u> |
| Center Tap Boxes | <u>17</u> |
| Joint Mounted Tap Boxes | <u>18</u> |
| TBNK Fittings for Joint Mounted Tap Boxes Selection | <u>19</u> |
| TBNK Fittings for Joint Mounted Tap Boxes | <u>20</u> |
| In-line Disconnect Cubicles and Expansion Fittings | <u>21</u> |
| Reducers and Phase Rotation Fittings | <u>22</u> |
| Service Heads | <u>23 – 24</u> |
| Hangers | <u>25</u> |
| Hangers and End Closers | <u>26</u> |
| Structural Steel and Single Drop Rod Hanger | <u>27</u> |
| Busway Accessories | <u>28</u> |
| Roof and Wall Flanges | <u>29</u> |
| Flanged Ends | <u>30 – 31</u> |
| Panelboards and Meter Center Modules | <u>32</u> |
| Meter Center Cubicles | <u>33</u> |
| Installation and Application Information | <u>34</u> |
| Order Entry Checklist | <u>35</u> |
| Quick Reference | <u>36</u> |
| Bus Plugs | <u>37 - 49</u> |
| General Notes | <u>50 - 51</u> |

Sentron Busway Systems

Overview

Sentron Busway for Global Power Distribution Applications

Building on a solid foundation of advanced products for the construction industry, the Siemens Sentron name is recognized worldwide as synonymous with quality and consistent performance. Sentron Busway delivers impressive features and benefits that make it ideal for many types of industrial and construction implementations.

Engineered to ensure the safe and efficient distribution of power in industrial, commercial and institutional environments world-wide, Sentron ampacities range from 225A to 5000A UL and IEC. Thanks to an innovative design, you benefit from labor-saving installation and a flexible, compact bus system that is an ideal fit for most applications. In fact, Sentron Busway is one of the industry's least labor-intensive systems.

Sentron Busway installs with minimal hardware and often costs less than cable and conduit installations. The lightweight aluminum housing acts as an integral ground, joint stacks connect with splice plates featuring a single-bolt design, and bus plugs and cable tap boxes offer the industry's largest wire bending space. An optional 200% neutral within the bus bar housing accommodates harmonics common in today's power systems.

Sentron Busway conductors are insulated with a state-of-the-art epoxy insulation system, which is applied using an electrostatic spray process for optimal insulation integrity.

Exemplifying the spirit of continuing innovation, Sentron Busway is now available with economical and convenient elbow stacks for changing left, right, up or down directions at 90 degrees.

And, of course, Sentron Busway is certified to design standards worldwide, including UL, NEMA, IEC, CSA, VDE and BS.

Siemens Busway Business uses industry leading technology in all its manufacturing processes. From bus bar fabrication to Electrostatic Spray Epoxy insulation, all the processes used in the manufacturing of Siemens Sentron Busway are electronically controlled to provide for consistent, high quality results, making Sentron Busway products best in its class.

Housing

Sentron Busway incorporates an all aluminum housing. This lightweight totally enclosed, non-ventilated housing resists rust and other elements, distributes heat away from the conductors, and provides an excellent ground path. The totally enclosed design also eliminates the need for derating of the system regardless of installation orientation. The housing is covered with an electrostatically applied light gray ANSI 61 polyester urethane powder paint that is scratch resistant and has a 1,000-hour salt spray resistance rating.

Conductors

Sentron Busway conductors have a compact construction and can be configured as 3-phase 3-wire, 3-phase 4-wire or 3-phase 4-wire with 200% neutral. The conductors may be ordered in copper (98% conductivity), 1000A/in² M-Rated Copper, Aluminum (58% conductivity) and 750A/in² L-Rated Aluminum. The optional 200% neutral helps to handle harmonic conditions that may exist. This system is especially useful with discharge lighting (fluorescent) and computer installations. This will help to minimize overheating and prolong the life cycle of your power distribution equipment.

Ground

Sentron Busway offers ground options to meet your specifications: standard integral aluminum housing ground and optional internal grounding bars. An optional isolated ground is also available which is especially useful in applications where a clean ground is needed.

Plating

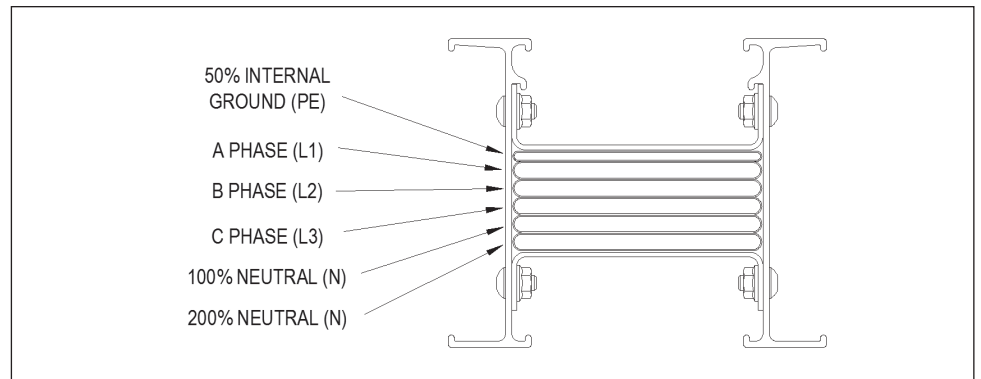
All bus bars are electroplated with tin. This unique tin plating provides excellent conductivity and resists outside elements from attaching to the bars. Optional silver plating is also available.

Insulation

Sentron Busway is insulated with an Epoxy Powder Coating system designed by Siemens Engineers, Epoxy System Engineers and Epoxy Powder Specialists, specifically for Siemens Busway products.

The Siemens exclusive Electrostatic Spray insulation process produces uniform application of Epoxy powder over the entire conductor bar. This is further enhanced by the inline filter process and magnetic separator that helps to eliminate contaminants common to fluidized bed systems. The electrostatic application also provides a better coating consistency than that of the older fluidized bed process. The combination of electrostatic spray and lower oven temperatures produces a consistent coverage with fewer impurities and pinholes in the insulation. The lower oven temperatures reduce the risk of bar annealing, which affects the overall quality of the system.

Sentron Busway insulation is Class B, 130°C Rated. Every bus bar and completed assembly is dielectric tested to ensure the insulation is free of defects.



Sentron Busway Systems

Overview

Joint Stack

Each Sentron Busway piece is shipped with a joint stack and joint covers installed at one end of the busway and a shipping end protector at the other end. The joint stacks feature a single bolt design and a special, torque indicating, double headed break-off bolt. This eliminates the need for torque wrenches and assures proper torque at installation of 50 ft.-lbs.(68 N-m).

When the proper torque value is achieved, the top bolt head will shear off. Each joint stack allows for +/- .625 inches (15.8mm) adjustability at each joint. Over adjustment is prevented by the joint covers, which will only allow a .625 inch (15.8mm) adjustment when the knockouts on the joint cover are removed.

It is possible to remove any joint connection assembly to allow electrical isolation or removal of a busway length without disturbing adjacent busway lengths. Isolation joint stacks are available and used to electrically isolate a busway section(s) within a busway run. For easy visual identification, isolation joint stack assemblies are painted white.

Plug-in Opening

Sentron Busway offers plug-in style busway which feature plug-in openings rated for finger safety to IP2X in accordance with IEC 529 and BS EN 60439-1, -2 and BS EN 60529.

Each plug-in opening has a reversible hinged dead front designed to protect the contact surfaces from dirt, dust or moisture. Gasketing is used where applications require a splash proof (IP55) rating.

IP Ratings

Sentron Busway is available in a variety of IP ratings. Use the chart below to determine the IP rating that best fits your application needs.

Testing

Each piece of Sentron Busway is factory tested before shipping. Tests performed include dielectric tests, which are used to insure integrity of insulation. In addition, Sentron Busway is tested in accordance with both UL and IEC standards. All Sentron Busway is manufactured and inspected in an ISO 9001:2000 registered facility.

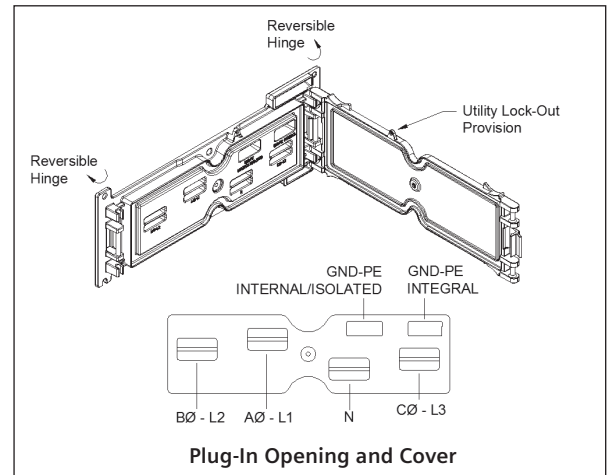
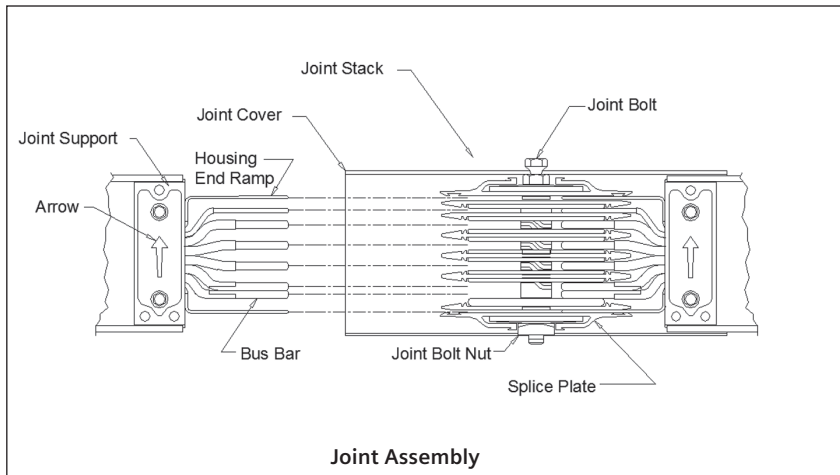
Standards

All Sentron Busway products meet the following standards:

- UL 857
- NEMA BU1
- CSA C22.2
- IEC 439-1(1993), IEC 439-2 (1993), IEC 529 (1989)
- BS EN 60529
- BS EN 60439-1, 60439-2
- UL 1479
- DIN 4102 Parts 9&12
- BS 6387 Parts 11.1 and 11.2

Labor Savings

Using Sentron Busway instead of cable and conduit can create savings of up to 20 - 30% on total installed costs. Sentron busway is lightweight, compact and takes half the time to install as cable and conduit. Siemens Busway Systems Cable Conversion Program will show you side by side comparisons of busway vs. cable/conduit. These comparisons include material costs, labor costs, bill of materials, and technical information between busway and cable/ conduit. Contact your local Siemens sales office to find out more information.



Levels of Protection Description

| Code | Description | Sentron Busway | | |
|---------|---------------------------------------------------------------------------------------------------------------------------------|----------------|---------|-------------------|
| | | Feeder | Plug-In | Sentron Bus Plugs |
| IP 2X | Plug-In outlet protects against access to live parts by .472 in. (12 mm) test probe, even with cover opened. Finger Safe | • | • | • |
| IP 40 | Enclosure protects against entry of .039 in. (1.0 mm) test probe. Indoor (Typical UL Designation) | • | • | • |
| IP 55 | Enclosure protects against entry of dust and water jets. Splash Proof | • | • | • |
| IP 66 | Enclosure is dust tight and protects against powerful water jets. Outdoor (International Only) | • | | |
| NEMA 3R | Enclosure protects against rain, sleet and damage from ice formation. Outdoor - NAFTA | • | | |

Sentron Busway Systems

Bus Plug Overview

Sentron Bus Plugs are engineered with the installer and end user in mind. The installer will benefit from the numerous features, such as factory installed circuit breakers, compact footprint, generous wirebend space, and dual interlocks. The end user will appreciate the visible position indicator, as well as the spring loaded pad lockable latch which prevents access to unauthorized personnel.

Sentron Bus Plugs are designed with an interlock device to prevent the door from being opened when the disconnect is on. This also prevents the disconnect from being turned on while the door is open. The interlock ensures that the protective device is "OFF" prior to installation or removal of the bus plug. Once the bus plug is properly installed, a spring-loaded, padlock latch provides additional security by preventing unauthorized access to the unit.

Alignment and interlock stabs are features of the Sentron Bus Plugs engineered to prevent improper installation of the unit. Guide stabs prevent installing the bus plug 180 degrees out of rotation. In addition, the stabs provide vertical support for vertical applications. The bus plug ground stabs are designed to ensure positive contact with both the integral and optional internal busway grounds before the bus plug fingers contact the phase and neutral bars. Sentron Bus Plugs also feature bolt-on mounting to the busway housing for secure attachment.

Sentron Bus Plugs can be configured for horizontal or vertical applications. The following Bus Plugs can be mounted (side by side) five (5) per busway side channel (Total 10 per 10' Section).

- 30-600 SLVBH Fusible (Horizontal) ①
- 30-200 SLVBR Fusible (Riser) ①
- 30-400 Circuit Breaker ①

Sentron SLVB Fusible Bus Plugs feature a direct drive mechanism. The operating handle mounts directly to the switch mechanism for fewer moving parts

Enclosure Ratings:

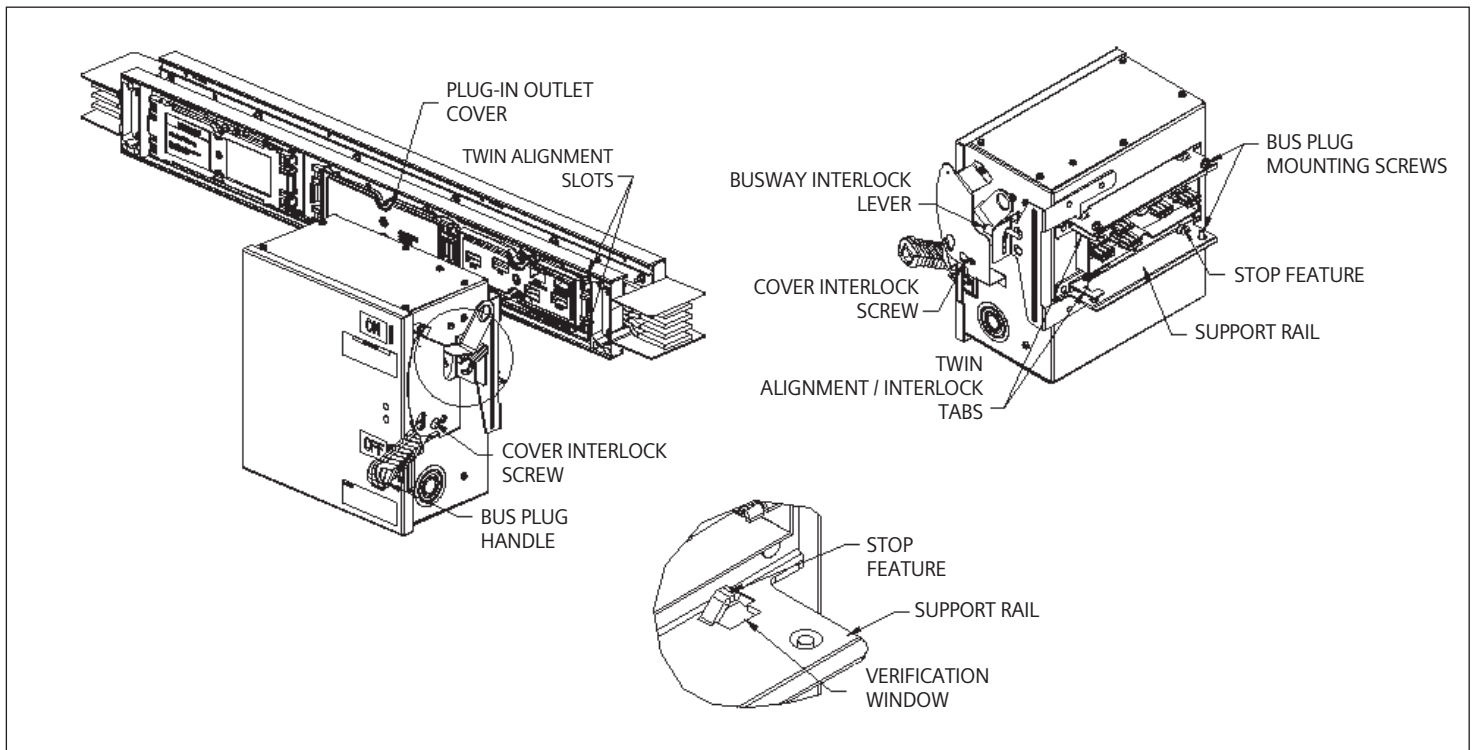
- IP40
- IP55

Conductors:

- 3-phase, 3-wire
- 3-phase, 4-wire
- 3-phase, 4-wire 200% neutral (400A and below)

Grounding:

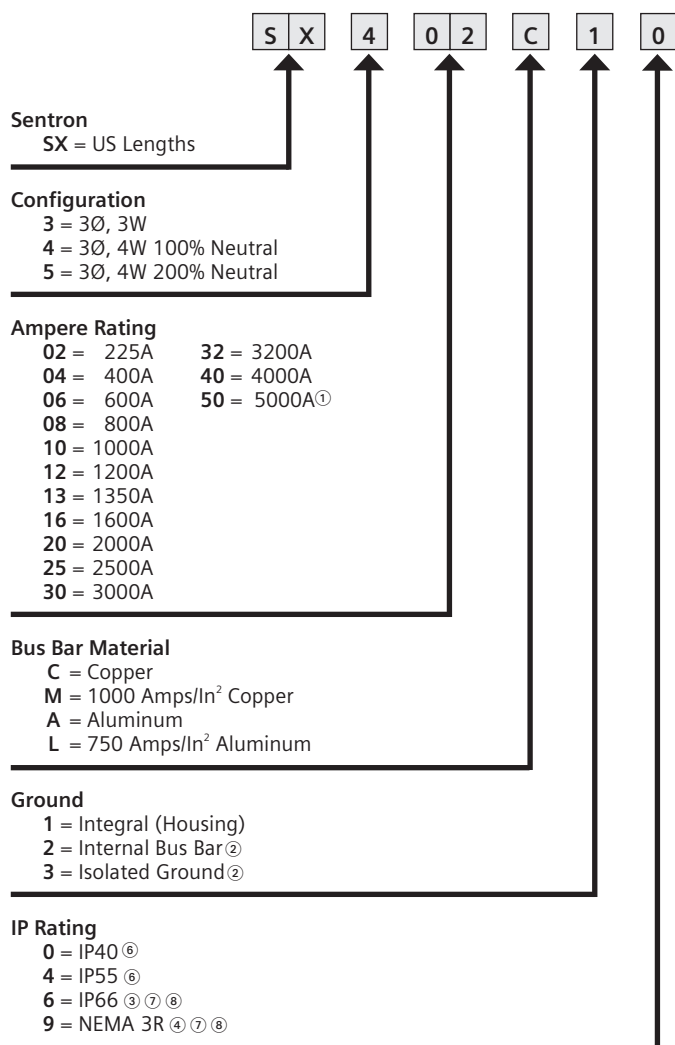
- Integral (Housing)
- Internal
- Isolated



① Contact Siemens for 200% Neutral Applications.

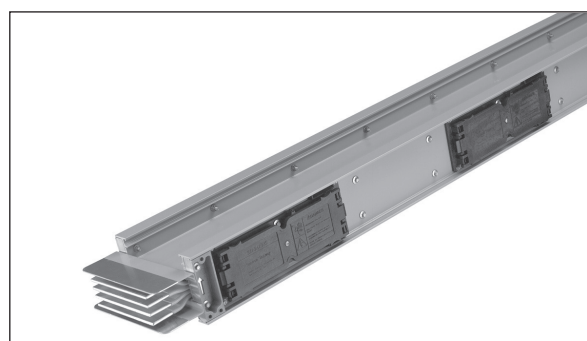
Sentron Busway Systems

Catalog Numbering System



- ① Copper only.
- ② Copper or aluminum ground bar.
- ③ IEC Markets.
- ④ NEMA Markets.
- ⑤ For odd degree angle (other than 90°) specify the degree angle of the turn.
- ⑥ Indoor only (Plug-in and Feeder).
- ⑦ Outdoor use (Feeder only).
- ⑧ Elbow Stack (IP40 and IP55 only).

- Catalog Numbers for Hangers can be found on page 23.
- Specials must be ordered by description (drawing must be included). Contact factory for pricing.



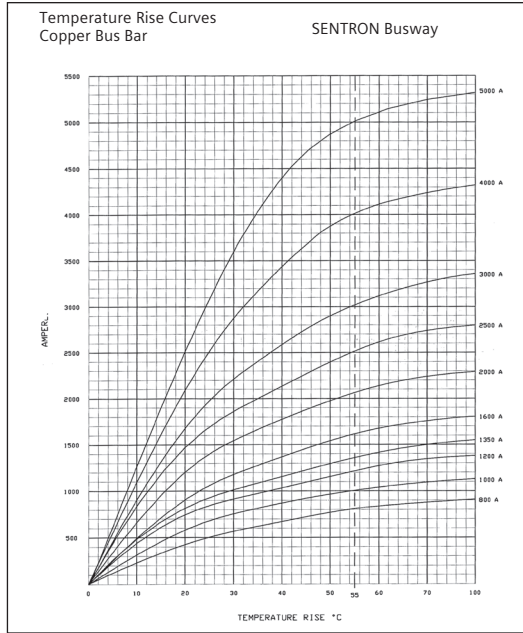
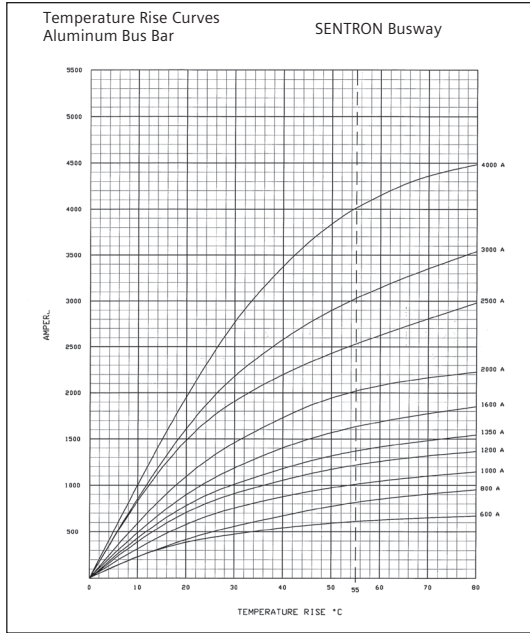
Busway selection and application guide

Suffix part of Catalog Numbers

| | P | L | O | 6 |
|------------------------|------------------------------------------------------------------------------------------------------------------|--------------------------------------------------------------|--------------------------------------------------------------------------------------------------------------|---|
| Feeder | Length in Inches, ex.: 2'3" = 027 Feeder lengths available from 2'0" (024 Inches) up to 10'0" (120 inches) | | | |
| Plug-in | L | Length | 04 = 4'0" 06 = 6'0" 08 = 8'0" 10 = 10'0" | |
| Riser | I | Length | 04 = 4'0" 06 = 6'0" 08 = 8'0" 10 = 10'0" | |
| Elbows | S = Stack ^⑧ L = 90° O = Odd degree angle ^⑤ | Edge | Up Down | |
| | | Flat | Right Left | |
| Tees | E | Edge | Up Down | |
| | | Flat | Right Left | |
| Offsets | F | Edge | Up Down | |
| | | Flat | Right Left | |
| Combinations | O | Edge Up Edge Down Edge Up Edge Down | Flat Left Flat Left Flat Right Flat Right | |
| | | Flat Left Flat Left Flat Right Flat Right | Edge Up Edge Down Edge Up Edge Down | |
| EXpansion Fittings | P | F | T | |
| Center Cable Tap Boxes | T | B | Standard EXpanded | |
| End Cable Tap Boxes | T | Vertical Horizontal | Standard EXpanded | |
| End Closers | C | L | S | |
| FlanGe | Roof Wall | F | L | |
| Joint Stacks | Standard Isolation | S | T | |
| SerVice Heads | 1 = 1-Phase 3 = 3-Phase T = Throat | Transformer | H | |
| | | Utility | Florida Pwr/Light Houston Pwr/Light Commonwealth ED Pacific Gas/Electric Detroit Edison Other | |
| Reducers | Fused Non-fused | R R | F N | |
| | Flanged End | E = Int'l Standard R = U.S. Standard O = Other | N D | |
| Transposition | R | PG = Phase and ground PO = Phase only GO = Ground only | | |

Sentron Busway Systems

Technical Data



R, X, Z and Ohms, Voltage Drop

| Ampere Rating | Bus Bar Width x 0.25 in. (6.4mm) Thick | Ohms x 10 ³ per 100 feet | | Voltage Drop - Concentrated Loads, Line-to-Line per 100 feet at 100% Rated Load, 35°C Ambient ^{① ② ③} | | | | | | | | | | |
|---------------|----------------------------------------------|-------------------------------------|------|----------------------------------------------------------------------------------------------------------------|--------------|------|------|------|------|------|------|------|------|--|
| | | Line to Neutral | | | Power Factor | | | | | | | | | |
| | | R | X | Z | 0.3 | 0.4 | 0.5 | 0.6 | 0.7 | 0.8 | 0.9 | 1.0 | | |
| AL | L-Rated^③ | | | | | | | | | | | | | |
| 225 | — | 1.75 (44.5) | 3.94 | 1.13 | 4.10 | 0.88 | 1.02 | 1.15 | 1.27 | 1.39 | 1.49 | 1.57 | 1.54 | |
| 400 | — | 1.75 (44.5) | 4.08 | 1.23 | 4.26 | 1.66 | 1.91 | 2.15 | 2.38 | 2.58 | 2.77 | 2.91 | 2.83 | |
| 600 | — | 1.75 (44.5) | 4.26 | 1.32 | 4.46 | 2.64 | 3.03 | 3.40 | 3.75 | 4.08 | 4.37 | 4.58 | 4.43 | |
| 800 | 400 | 2.38 (60.5) | 3.42 | 1.06 | 3.58 | 2.82 | 3.24 | 3.64 | 4.02 | 4.36 | 4.67 | 4.90 | 4.74 | |
| 1000 | 600 | 3.25 (82.6) | 2.45 | 0.74 | 2.56 | 2.50 | 2.88 | 3.24 | 3.57 | 3.89 | 4.17 | 4.38 | 4.24 | |
| 1200 | 800 | 4.38 (111.3) | 1.86 | 0.59 | 1.95 | 2.32 | 2.66 | 2.99 | 3.29 | 3.58 | 3.82 | 4.01 | 3.87 | |
| 1350 | 1000 | 5.38 (138.7) | 1.39 | 0.24 | 1.41 | 1.50 | 1.81 | 2.10 | 2.39 | 2.67 | 2.93 | 3.17 | 3.25 | |
| 1600 | 1200 | 6.50 (165.1) | 1.21 | 0.48 | 1.29 | 2.19 | 2.48 | 2.75 | 3.00 | 3.23 | 3.43 | 3.56 | 3.35 | |
| 2000 | 1350,1600 | 8.75 (222.3) | 0.91 | 0.35 | 0.98 | 2.11 | 2.38 | 2.64 | 2.87 | 3.08 | 3.26 | 3.37 | 3.16 | |
| 2500 | 2000 | (2) 5.63 (143.0) | 0.68 | 0.29 | 0.74 | 2.09 | 2.34 | 2.57 | 2.78 | 2.97 | 3.12 | 3.21 | 2.95 | |
| 3000 | 2500 | (2) 6.75 (171.5) | 0.54 | 0.28 | 0.61 | 2.24 | 2.47 | 2.67 | 2.85 | 3.01 | 3.12 | 3.16 | 2.80 | |
| 3200 | 2000 | (2) 7.50 (190.5) | 0.48 | 0.33 | 0.58 | 2.53 | 2.73 | 2.91 | 3.06 | 3.17 | 3.23 | 3.20 | 2.68 | |
| 4000 | 3000,3200 | (2) 9.00 (228.6) | 0.62 | 0.21 | 0.51 | 2.34 | 2.61 | 2.85 | 3.08 | 3.27 | 3.43 | 3.51 | 3.20 | |
| CU | M-Rated^③ | | | | | | | | | | | | | |
| 225 | — | 1.75 (44.5) | 2.34 | 1.13 | 2.60 | 0.69 | 0.77 | 0.84 | 0.90 | 0.95 | 0.99 | 1.01 | 0.91 | |
| 400 | — | 1.75 (44.5) | 2.44 | 1.13 | 2.69 | 1.26 | 1.40 | 1.52 | 1.64 | 1.74 | 1.82 | 1.86 | 1.69 | |
| 600 | — | 1.75 (44.5) | 2.58 | 1.16 | 2.83 | 1.96 | 2.18 | 2.39 | 2.58 | 2.74 | 2.87 | 2.94 | 2.68 | |
| 800 | 400 | 1.75 (44.5) | 2.71 | 1.17 | 2.95 | 2.67 | 2.98 | 3.28 | 3.55 | 3.78 | 3.97 | 4.08 | 3.76 | |
| 1000 | — | 2.25 (67.2) | 2.12 | 0.98 | 2.30 | 2.58 | 2.88 | 3.17 | 3.44 | 3.67 | 3.86 | 3.98 | 3.67 | |
| 1200 | 600 | 2.88 (73.2) | 1.66 | 0.77 | 1.83 | 2.56 | 2.85 | 3.11 | 3.35 | 3.56 | 3.72 | 3.80 | 3.45 | |
| 1350 | 800 | 3.50 (88.9) | 1.30 | 0.64 | 1.45 | 2.34 | 2.59 | 2.82 | 3.03 | 3.20 | 3.33 | 3.39 | 3.04 | |
| 1600 | 1000 | 4.50 (114.3) | 1.06 | 0.56 | 1.20 | 2.37 | 2.60 | 2.66 | 3.01 | 3.17 | 3.29 | 3.32 | 2.94 | |
| 2000 | 1200,1350 | 6.00 (152.4) | 0.77 | 0.44 | 0.89 | 2.27 | 2.48 | 2.50 | 2.83 | 2.96 | 3.05 | 3.07 | 2.66 | |
| — | 1600 | — | — | — | — | — | — | — | — | — | — | — | — | |
| 2500 | 2000 | 8.50 (215.9) | 0.55 | 0.35 | 0.65 | 2.15 | 2.34 | 2.50 | 2.64 | 2.75 | 2.82 | 2.81 | 2.39 | |
| 3000 | — | (2) 4.75 (120.7) | 0.49 | 0.27 | 0.56 | 2.07 | 2.28 | 2.46 | 2.62 | 2.76 | 2.86 | 2.89 | 2.54 | |
| 3200 | — | (2) 5.50 (139.7) | 0.44 | 0.30 | 0.53 | 2.33 | 2.51 | 2.67 | 2.80 | 2.90 | 2.96 | 2.93 | 2.44 | |
| 4000 | 2500, 3000, 3200 | (2) 6.50 (165.1) | 0.36 | 0.15 | 0.39 | 1.76 | 1.97 | 2.17 | 2.35 | 2.51 | 2.63 | 2.71 | 2.49 | |
| 5000 | 4000 | (2) 8.50 (215.9) | 0.30 | 0.21 | 0.37 | 2.49 | 2.69 | 2.86 | 3.00 | 3.11 | 3.17 | 3.15 | 2.63 | |

- ① For plug-in distributed loads, divide voltage drop values by 2.
- ② Actual voltage drop for different lengths and at loadings less than full rated current can be calculated using the formula:
 $V_d(\text{actual}) = V_d(\text{table}) \times \frac{\text{actual load}}{\text{rated load}} \times \frac{\text{actual length (ft)}}{100 \text{ feet}}$
- ③ Voltage Drop will decrease in lower ambient temperature. Contact Siemens for Voltage Drop in other ambient conditions.

Notes:

- To determine voltage drop line-to-neutral, multiply line-to-line values by 0.577.
- For 50 Hz, multiply reactance (X) by 0.85 and resistance values do not change. For 400 Hz, multiply reactance by 3.75 and multiply resistance by 1.4. Calculate new voltage drop:
 $V_d = \text{amps load} \times \sqrt{3(R \cos \theta + X \sin \theta)}$ per 100 ft, where $\cos \theta = \text{Power Factor}$.

- For metric conversion R, X, Z values "in Ohms per meters Line to Neutral"
 $R \times .0328$
 $X \times .0328$
 $Z \times .0328$
- For metric conversion "Line to Line per meter at 25°C ambient in mV/A/m" ($V_d \times 32.8$) / A. Divide V_d by 2 for distributed loads.

Sentron Busway Systems

Technical Data

Ground Capacity

| Ampere Rating | Bus Bar Width Inches (mm) | Bars per Pole | Min. CSA for Ground Bus per UL 857 Table 14 In ² (mm ²) | Sectional Area 50% Internal Ground Bar In ² (mm ²) | Integral (Hsg.) Ground In ² (mm ²) | Effective Current Carrying Capacity of Housing | | Grd. Circuit Characteristics under Fault Conditions Ohms x 103 per 100 ft. | | | | | | |
|-------------------|---------------------------|---------------|--------------------------------------------------------------------------------|---------------------------------------------------------------------------|-----------------------------------------------------------|------------------------------------------------|----------------|----------------------------------------------------------------------------|--------|-------|----------------|--------|--------|-------|
| | | | | | | % of UL Reg. | % of Phase Bar | Internal Ground | | | Housing Ground | | | |
| | | | | | | | | R | X | Z | R | X | Z | |
| A L-Rated | | | | | | | | | | | | | | |
| 225 | — | 1.75 (44.5) | 1 | 0.08 (53.5) | 0.22 (141.1) | 2.30 (1485.1) | 1333 | 253 | 10.267 | 9.037 | 4.872 | 14.200 | 12.963 | 5.797 |
| 400 | — | 1.75 (44.5) | 1 | 0.17 (107.1) | 0.22 (141.1) | 2.30 (1485.1) | 667 | 253 | 10.267 | 9.037 | 4.872 | 14.200 | 12.963 | 5.797 |
| 600 | — | 1.75 (44.5) | 1 | 0.17 (107.1) | 0.22 (141.1) | 2.30 (1485.1) | 667 | 253 | 10.267 | 9.037 | 4.872 | 14.200 | 12.963 | 5.797 |
| 800 | 400 | 2.38 (60.5) | 1 | 0.17 (107.1) | 0.30 (191.9) | 2.40 (1550.1) | 688 | 192 | 8.063 | 7.333 | 3.351 | 11.150 | 10.000 | 4.932 |
| 1000 | 600 | 3.25 (82.6) | 1 | 0.20 (126.5) | 0.41 (262.1) | 2.54 (1639.9) | 607 | 147 | 7.208 | 6.628 | 2.833 | 9.202 | 8.442 | 3.662 |
| 1200 | 800 | 4.38 (111.1) | 1 | 0.23 (146.5) | 0.55 (352.8) | 2.72 (1756.6) | 552 | 115 | 6.358 | 5.852 | 2.487 | 7.625 | 6.926 | 3.189 |
| 1350 | 1000 | 5.38 (136.5) | 1 | 0.29 (189.7) | 0.67 (433.5) | 2.88 (1859.8) | 446 | 9 | 5.561 | 5.115 | 2.182 | 6.478 | 5.883 | 2.713 |
| 1600 | 1200 | 6.50 (165.1) | 1 | 0.29 (189.7) | 0.81 (524.2) | 3.06 (1975.4) | 467 | 84 | 4.837 | 4.489 | 1.801 | 5.687 | 5.206 | 2.289 |
| 2000 | 1350,1600 | 8.75 (222.3) | 1 | 0.35 (227.7) | 1.09 (705.6) | 3.42 (2207.7) | 425 | 69 | 3.735 | 3.467 | 1.390 | 4.565 | 4.267 | 1.623 |
| 2500 | 2000 | 5.63 (142.9) | 2 | 0.52 (332.3) | 1.41 (907.3) | 3.85 (2480.7) | 320 | 59 | 3.169 | 2.955 | 1.145 | 4.129 | 3.837 | 1.526 |
| 3000 | 2500 | 6.75 (171.5) | 2 | 0.59 (380.0) | 1.69 (1088.7) | 4.20 (2711.9) | 301 | 53 | 2.848 | 2.683 | 0.954 | 3.835 | 3.635 | 1.221 |
| 3200 | 2000 | 7.50 (190.5) | 2 | 0.81 (522.6) | 1.88 (1209.7) | 4.44 (2866.8) | 229 | 51 | 2.648 | 2.493 | 0.894 | 3.614 | 3.428 | 1.144 |
| 4000 | 3000,3200 | 9.00 (228.6) | 2 | 0.81 (522.6) | 2.25 (1451.6) | 4.92 (3176.5) | 250 | 50 | 2.446 | 2.339 | 0.715 | 3.500 | 3.378 | 0.916 |
| CU M-Rated | | | | | | | | | | | | | | |
| 225 | — | 1.75 (44.5) | 1 | 0.05 (33.5) | 0.22 (141.1) | 2.30 (1485.1) | 2128 | 261 | 7.380 | 6.330 | 3.803 | 11.338 | 10.083 | 5.183 |
| 400 | — | 1.75 (44.5) | 1 | 0.11 (67.7) | 0.22 (141.1) | 2.30 (1485.1) | 1054 | 261 | 7.380 | 6.330 | 3.803 | 11.338 | 10.083 | 5.183 |
| 600 | — | 1.75 (44.5) | 1 | 0.11 (67.7) | 0.22 (141.1) | 2.30 (1485.1) | 1054 | 261 | 7.380 | 6.330 | 3.803 | 11.338 | 10.083 | 5.183 |
| 800 | 400 | 1.75 (44.5) | 1 | 0.11 (67.7) | 0.22 (141.1) | 2.30 (1485.1) | 1054 | 261 | 7.380 | 6.330 | 3.803 | 11.338 | 10.083 | 5.183 |
| 1000 | — | 2.25 (57.2) | 1 | 0.13 (85.2) | 0.28 (181.5) | 2.38 (1536.7) | 860 | 207 | 6.715 | 5.993 | 3.029 | 10.194 | 9.191 | 4.409 |
| 1200 | 600 | 2.88 (73.0) | 1 | 0.18 (114.2) | 0.36 (231.9) | 2.48 (1601.8) | 661 | 166 | 6.186 | 5.676 | 2.460 | 8.996 | 8.212 | 3.674 |
| 1350 | 800 | 3.50 (88.9) | 1 | 0.24 (152.3) | 0.44 (282.3) | 2.58 (1665.8) | 510 | 140 | 5.704 | 5.267 | 2.188 | 8.000 | 7.492 | 2.807 |
| 1600 | 1000 | 4.50 (114.3) | 1 | 0.24 (152.3) | 0.56 (362.9) | 2.74 (1769.0) | 534 | 113 | 4.719 | 4.323 | 1.893 | 7.411 | 6.880 | 2.756 |
| 2000 | 1200,1350 | 6.00 (152.4) | 1 | 0.29 (189.7) | 0.75 (483.9) | 2.98 (1923.8) | 457 | 90 | 3.507 | 3.181 | 1.476 | 6.422 | 6.032 | 2.205 |
| — | 1600 | 6.50 (165.1) | 1 | 0.29 (189.7) | 0.81 (524.2) | 3.06 (1975.4) | 467 | 84 | 4.837 | 4.489 | 1.801 | 5.687 | 5.206 | 2.289 |
| 2500 | 2000 | 8.50 (215.9) | 1 | 0.35 (227.7) | 1.06 (685.5) | 3.38 (2181.9) | 421 | 70 | 2.294 | 2.020 | 1.087 | 3.072 | 5.419 | 1.764 |
| 3000 | — | 4.75 (120.7) | 2 | 0.41 (265.8) | 1.19 (766.1) | 3.56 (2290.0) | 376 | 66 | 2.117 | 1.874 | 0.984 | 4.859 | 4.631 | 1.470 |
| 3200 | — | 5.50 (139.7) | 2 | 0.59 (380.0) | 1.38 (887.1) | 3.80 (2453.9) | 277 | 60 | 1.938 | 1.691 | 0.947 | 4.353 | 4.129 | 1.378 |
| 4000 | 2500,3000,3200 | 6.50 (165.1) | 2 | 0.59 (380.0) | 1.63 (1048.4) | 4.12 (2660.3) | 296 | 54 | 1.688 | 1.500 | 0.773 | 3.334 | 3.060 | 1.323 |
| 5000 | 4000 | 8.50 (215.9) | 2 | 0.71 (456.1) | 2.13 (1371.0) | 4.76 (3073.2) | 278 | 50 | 1.360 | 1.218 | 0.606 | 1.989 | 1.783 | 0.882 |

Note: Bus bar thickness = .25 in. (6.4mm), Ground bar thickness = .125 in.(3.18mm)

| UL Short Circuit Ratings | | | | UL Series Connected with Fuse | | | |
|--------------------------|----------------|----------------------|--------|-------------------------------|----------------------------------------------------|-------------|---------|
| Ampere Rating | | RMS Symmetrical (kA) | | | Maximum Fuse Size for 200kA RMS Symmetrical Rating | | |
| | | 6 cycle | 1 sec. | 3 sec. | Class R | Class J & T | Class L |
| AL L-Rated | | | | | | | |
| 225 | — | 85 | 28 | 16 | 600 | 600 J & T | — |
| 400 | — | 85 | 28 | 16 | 600 | 600 J & T | — |
| 600 | — | 85 | 28 | 16 | 600 | 600 J & T | — |
| 800 | 400 | 100 | 47 | 27 | — | 800 T | 1200 |
| 1000 | 600 | 100 | 50 | 29 | — | — | 3000 |
| 1200 | 800 | 125 | 60 | 35 | — | — | 3000 |
| 1350 | 1000 | 150 | 75 | 43 | — | — | 3000 |
| 1600 | 1200 | 150 | 90 | 52 | — | — | 3000 |
| 2000 | 1350,1600 | 150 | 110 | 64 | — | — | 5000 |
| 2500 | 2000 | 200 | 130 | 75 | — | — | 5000 |
| 3000 | 2500 | 200 | 160 | 92 | — | — | — |
| 3200 | 2000 | 200 | 160 | 92 | — | — | — |
| 4000 | 3000,3200 | 200 | 200 | 115 | — | — | — |
| CU M-Rated | | | | | | | |
| 225 | — | 85 | 40 | 23 | 600 | 600 J & T | — |
| 400 | — | 85 | 40 | 23 | 600 | 600 J & T | — |
| 600 | — | 85 | 40 | 23 | 600 | 600 J & T | — |
| 800 | 400 | 85 | 40 | 23 | — | 800 T | 1600 |
| 1000 | — | 100 | 50 | 29 | — | — | 3000 |
| 1200 | 600 | 100 | 65 | 38 | — | — | 3000 |
| 1350 | 800 | 100 | 80 | 46 | — | — | 3000 |
| 1600 | 1000 | 125 | 95 | 55 | — | — | 4000 |
| 2000 | 1200,1350 | 150 | 115 | 66 | — | — | 5000 |
| — | 1600 | 150 | 90 | 52 | — | — | 3000 |
| 2500 | 2000 | 150 | 130 | 75 | — | — | 5000 |
| 3000 | — | 200 | 175 | 101 | — | — | — |
| 3200 | — | 200 | 175 | 101 | — | — | — |
| 4000 | 2500,3000,3200 | 200 | 200 | 115 | — | — | — |
| 5000 | 4000 | 200 | 200 | 115 | — | — | — |

Sentron Busway has UL approved Series Ratings. By using the appropriate line side fuse, short circuit ratings can be enhanced to 200kA for lower amperage busway.

Sentron Busway Systems

Straight Sections – Plug-in, Riser and Feeder

Straight Sections

Sentron Busway can be ordered with Aluminum or Copper bus bars. Aluminum bars are available in 225-4000 ampere sections. Copper bars are available in 225-5000 ampere sections. Sentron Busway includes an integral housing ground, and is available with an internal ground bar or an isolated ground bar in all ampere ratings. Sentron Busway housing is a four-piece aluminum design.

Plug-In Sections

Sentron plug-in sections are designed with plug-in openings centered on 24 in. (610mm) intervals, and are located on both sides of the busway for optimum utilization. Plug-in sections are available in standard lengths of 4 ft. (1.22m), 6 ft. (1.83m), 8 ft. (2.44m) and 10 ft. (3.05m).

Sentron plug-in sections meet IP40 (indoor) and IP55 (splash proof) requirements. One joint stack assembly is provided with each plug-in section.

Riser Sections

Sentron Riser sections are designed with plug-in openings centered on 24 in. (610mm) intervals on one side of the busway only. This eliminates unusable plug-in outlets in vertical applications. Riser busway is available in standard lengths of 4 ft. (1.22m), 6 ft. (1.83m), 8 ft. (2.44m) and 10 ft. (3.05m). Sentron Riser Busway is available in IP40 (indoor) and IP55 (splash proof). One joint stack assembly is provided with each riser section.

Plug-In Outlet Features

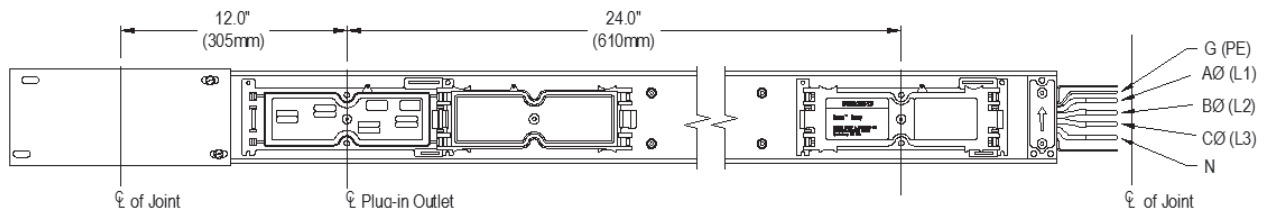
The plug-in outlet molded guard design prevents incidental finger contact with live conductors. Sentron plug-in outlets are

IP 2X rated (with the outlet cover open) which means a .472 in. (12mm) or larger probe is unable to enter a plug-in outlet. The outlet is IP40 Rated with the cover closed and IP55 Rated when configured with gaskets.

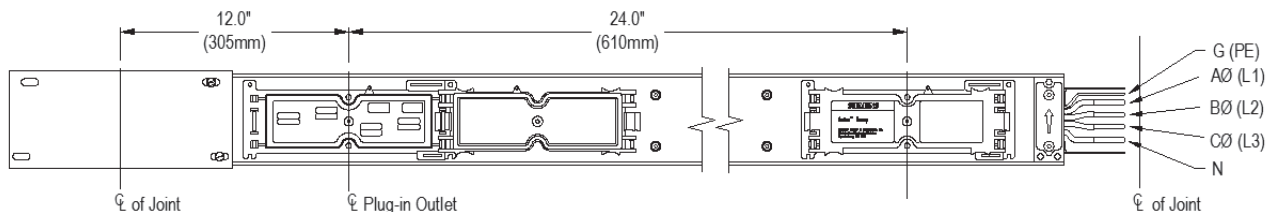
Feeder Sections

Feeder busway carries the current of the busway system from the supply source. Feeder busway does not have plug-in outlets. Sentron Feeder busway is available in custom lengths from 2 ft. (.61m) to 10 ft. (3.05m). Feeder sections are rated as IP40 (Indoor), IP55 (Splash Proof), NEMA 3R (Outdoor), and IP66 (Severe Outdoor). One joint stack assembly is provided with each feeder section.

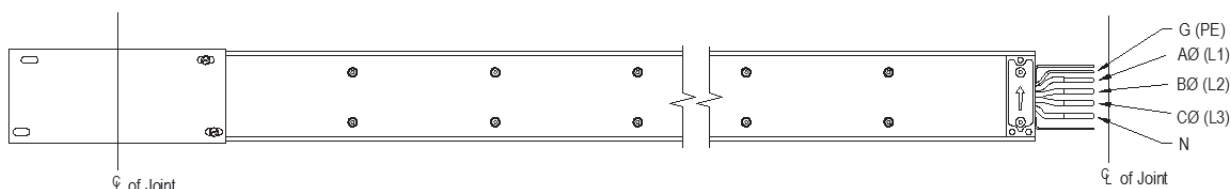
Standard Plug-In Section (Standard plug-in outlets on both sides on 24 in. centers)
Suffix PL04 (4 ft.), PL06 (6 ft.), PL08 (8 ft.), PL10 (10 ft.)



Standard Riser Section (Standard Plug-In outlets on one side on 24 in. centers) Suffix
RI04 (4 ft.), RI06 (6 ft.), RI08 (8 ft.), RI10 (10 ft.)



Standard Feeder Section
Suffix F024 - 120 (last 3 digits = length in Inches, 024=24 in., 120=120 in.)

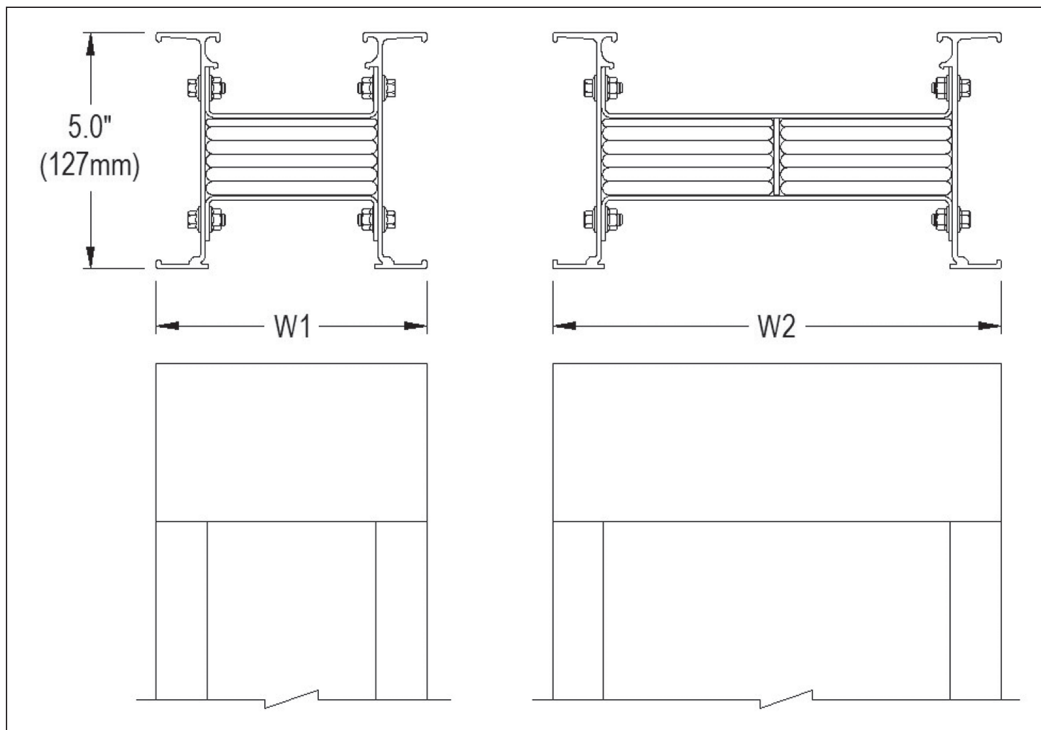


Sentron Busway Systems

Widths and Weights

Sentron Busway, Widths and Weights

| Ampere Rating | | Dimension inches (mm) | | Approximate Weight - lbs per ft. (kg per meter) | | | | | | |
|---------------|----------------|-----------------------|------------|-------------------------------------------------|---------------------------------|------------|---------------------------------|-------------------------|----------------------------------------------|----------|
| | | | | 3Ø, 3-Wire | 3Ø, 3-Wire with Internal Ground | 3Ø, 4-Wire | 3Ø, 4-Wire with Internal Ground | 3Ø, 4-Wire 200% Neutral | 3Ø, 4-Wire 200% Neutral with Internal Ground | |
| AL | L-Rated | | | | | | | | | |
| 225 | — | "W1" | 3.9 (99) | 5 (8) | 5 (8) | 6 (9) | 6 (9) | 7 (10) | 7 (10) | 7 (10) |
| 400 | — | "W1" | 3.9 (99) | 5 (8) | 5 (8) | 6 (9) | 6 (9) | 7 (10) | 7 (10) | 7 (10) |
| 600 | — | "W1" | 3.9 (99) | 5 (8) | 5 (8) | 6 (9) | 6 (9) | 7 (10) | 7 (10) | 7 (10) |
| 800 | 400 | "W1" | 4.6 (117) | 6 (9) | 6 (9) | 7 (10) | 7 (10) | 7 (11) | 7 (11) | 8 (11) |
| 1000 | 600 | "W1" | 5.4 (137) | 7 (10) | 7 (11) | 8 (12) | 8 (12) | 9 (13) | 9 (13) | 9 (14) |
| 1200 | 800 | "W1" | 6.6 (168) | 8 (12) | 9 (13) | 9 (14) | 10 (15) | 11 (16) | 11 (16) | 11 (17) |
| 1350 | 1000 | "W1" | 7.6 (193) | 9 (13) | 10 (15) | 11 (16) | 11 (17) | 12 (18) | 12 (18) | 13 (19) |
| 1600 | 1200 | "W1" | 8.7 (221) | 10 (15) | 11 (17) | 12 (18) | 13 (19) | 14 (21) | 14 (21) | 15 (22) |
| 2000 | 1250,1600 | "W1" | 10.9 (277) | 13 (19) | 14 (21) | 15 (23) | 16 (24) | 18 (26) | 18 (26) | 19 (28) |
| 2500 | 2000 | "W2" | 13.7 (348) | 15 (22) | 17 (25) | 18 (27) | 20 (30) | 22 (33) | 22 (33) | 23 (34) |
| 3000 | 2500 | "W2" | 15.8 (402) | 17 (25) | 19 (28) | 21 (31) | 23 (34) | 25 (37) | 25 (37) | 27 (40) |
| 3200 | 2000 | "W2" | 17.3 (439) | 18 (27) | 20 (30) | 23 (34) | 25 (37) | 27 (40) | 27 (40) | 29 (43) |
| 4000 | 3000,3200 | "W2" | 20.3 (516) | 22 (33) | 25 (37) | 27 (40) | 30 (44) | 32 (48) | 32 (48) | 35 (52) |
| CU | M-Rated | | | | | | | | | |
| 225 | — | "W1" | 3.9 (99) | 9 (13) | 10 (14) | 10 (16) | 11 (17) | 12 (18) | 12 (18) | 13 (19) |
| 400 | — | "W1" | 3.9 (99) | 9 (13) | 10 (14) | 10 (16) | 11 (17) | 12 (18) | 12 (18) | 13 (19) |
| 600 | — | "W1" | 3.9 (99) | 9 (13) | 10 (14) | 10 (16) | 11 (17) | 12 (18) | 12 (18) | 13 (19) |
| 800 | 400 | "W1" | 3.9 (99) | 9 (13) | 10 (14) | 10 (16) | 11 (17) | 12 (18) | 12 (18) | 13 (19) |
| 1000 | — | "W1" | 4.4 (112) | 10 (15) | 11 (17) | 12 (19) | 14 (20) | 15 (22) | 15 (22) | 16 (23) |
| 1200 | 600 | "W1" | 5.1 (130) | 12 (18) | 14 (20) | 15 (23) | 16 (24) | 18 (26) | 18 (26) | 19 (29) |
| 1350 | 800 | "W1" | 5.7 (145) | 14 (21) | 16 (24) | 17 (26) | 19 (29) | 21 (31) | 21 (31) | 23 (34) |
| 1600 | 1000 | "W1" | 6.7 (170) | 17 (26) | 19 (29) | 22 (32) | 24 (35) | 26 (38) | 26 (38) | 28 (42) |
| 2000 | 1200,1350 | "W1" | 8.2 (208) | 22 (32) | 25 (37) | 28 (41) | 30 (45) | 33 (50) | 33 (50) | 36 (54) |
| — | 1600 | "W1" | 10.9 (277) | 24 (35) | 27 (40) | 30 (44) | 32 (48) | 36 (54) | 36 (54) | 39 (58) |
| 2500 | 2000 | "W1" | 10.7 (272) | 30 (44) | 34 (50) | 38 (56) | 42 (62) | 46 (68) | 46 (68) | 50 (74) |
| 3000 | — | "W2" | 11.8 (300) | 33 (49) | 37 (55) | 42 (63) | 47 (70) | 51 (76) | 51 (76) | 56 (83) |
| 3200 | — | "W2" | 13.3 (335) | 37 (55) | 42 (63) | 48 (72) | 53 (79) | 58 (86) | 58 (86) | 64 (95) |
| 4000 | 2500,3000,3200 | "W2" | 15.3 (389) | 43 (64) | 50 (75) | 56 (83) | 62 (92) | 68 (101) | 68 (101) | 75 (112) |
| 5000 | 4000 | "W2" | 19.3 (491) | 56 (83) | 64 (95) | 72 (107) | 80 (119) | 89 (132) | 89 (132) | 97 (145) |



Sentron Busway Systems

Elbows

Sentron Busway elbows provide a simple, convenient method of changing the direction (left, right, up or down) of a busway run. Two elbow styles are offered: elbow stack and elbow section.

| Flatwise Elbow Stacks, Dimensions (standard/min.) | | |
|---------------------------------------------------|----------------|----------------------------|
| Ampere Rating | | Dimensions Inches (mm) "A" |
| AL | L-Rated | |
| 225 | — | 1.00 (25) |
| 400 | — | 1.00 (25) |
| 600 | — | 1.00 (25) |
| 800 | 400 | 1.12 (28) |
| 1000 | 600 | 2.00 (51) |
| 1200 | 800 | 2.50 (64) |
| 1350 | 1000 | 3.00 (76) |
| 1600 | 1200 | 3.50 (89) |
| 2000 | 1350,1600 | 4.62 (117) |
| 2500 | 2000 | 5.75 (146) |
| 3000 | 2500 | 7.00 (178) |
| 3200 | 2000 | 7.75 (197) |
| 4000 | 3000,3200 | 9.35 (237) |
| CU | M-Rated | |
| 225 | — | 1.00 (25) |
| 400 | — | 1.00 (25) |
| 600 | — | 1.00 (25) |
| 800 | 400 | 1.00 (25) |
| 1000 | — | 1.12 (28) |
| 1200 | 600 | 1.25 (33) |
| 1350 | 800 | 2.00 (50) |
| 1600 | 1000 | 2.50 (64) |
| 2000 | 1200,1350 | 3.25 (83) |
| — | 1600 | 4.62 (117) |
| 2500 | 2000 | 4.50 (114) |
| 3000 | — | 5.00 (127) |
| 3200 | — | 5.75 (146) |
| 4000 | 2500,3000,3200 | 6.75 (171) |
| 5000 | 4000 | 8.87 (225) |

Note: Flatwise elbow stacks can be ordered as either right-hand (ESFR) or left-hand (ESFL) to follow the same nomenclature as an elbow section. The construction is identical and interchangeable.

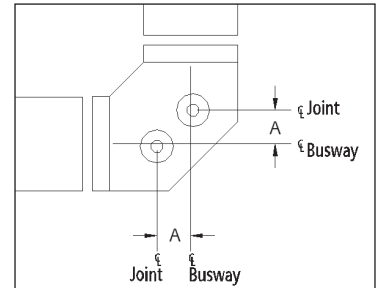
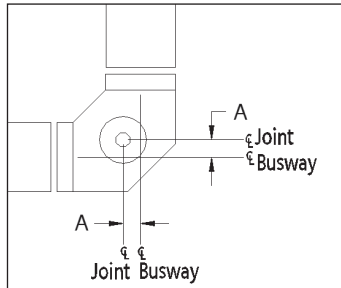
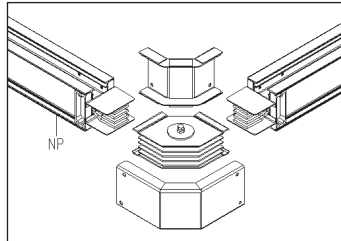
| Edgewise Elbow Stacks, Dimensions (standard/min.) | | |
|---------------------------------------------------|----------------|----------------------------|
| Ampere Rating | | Dimensions Inches (mm) "A" |
| AL | L-Rated | |
| 225 | — | 4.25 (108) |
| 400 | — | 4.25 (108) |
| 600 | — | 4.25 (108) |
| 800 | 400 | 4.25 (108) |
| 1000 | 600 | 4.25 (108) |
| 1200 | 800 | 4.25 (108) |
| 1350 | 1000 | 4.25 (108) |
| 1600 | 1200 | 4.25 (108) |
| 2000 | 1350,1600 | 4.25 (108) |
| 2500 | 2000 | 4.25 (108) |
| 3000 | 2500 | 4.25 (108) |
| 3200 | 2000 | 4.25 (108) |
| 4000 | 3000, 4300 | 4.25 (108) |
| CU | M-Rated | |
| 225 | — | 4.25 (108) |
| 400 | — | 4.25 (108) |
| 600 | — | 4.25 (108) |
| 800 | 400 | 4.25 (108) |
| 1000 | — | 4.25 (108) |
| 1200 | 600 | 4.25 (108) |
| 1350 | 800 | 4.25 (108) |
| 1600 | 1000 | 4.25 (108) |
| 2000 | 1200,1350 | 4.25 (108) |
| — | 1600 | 4.25 (108) |
| 2500 | 2000 | 4.25 (108) |
| 3000 | — | 4.25 (108) |
| 3200 | — | 4.25 (108) |
| 4000 | 2500,3000,3200 | 4.25 (108) |
| 5000 | 4000 | 4.25 (108) |

Flatwise Elbow Stacks

Flatwise elbow stacks are used for left and right directional changes. When the busway system is mounted flatwise in the horizontal plane (bus bars run parallel to the floor).

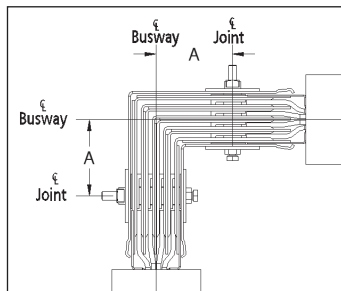
Flat

Suffix ESFR/ESFL



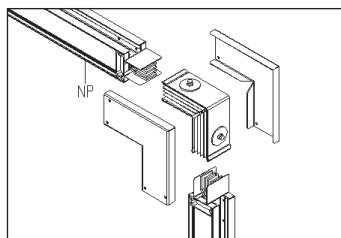
Edgewise Elbow Stacks

Edgewise elbow stacks create up and down directional changes. The "A" phase is on the inside of the bend for edge up elbow stacks. The "A" phase is on the outside of the bend for edge down elbow stacks.



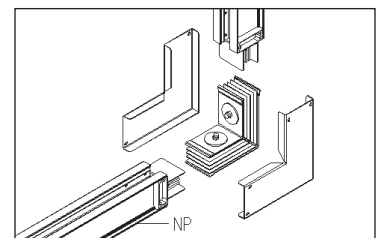
Edge Down

Suffix ESED



Edge Up

Suffix ESEU



Sentron Busway Systems

Elbows

Flatwise Elbow Sections, Dimensions (standard/min.)

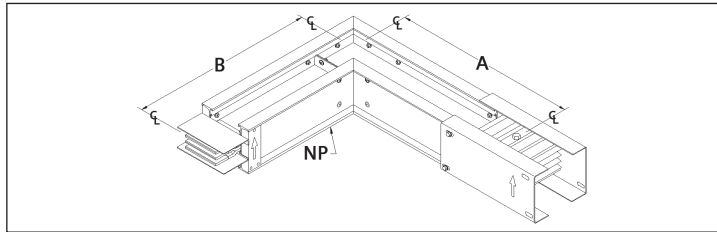
| Ampere Rating | | Dimensions Inches (mm) | |
|---------------|----------------|------------------------|----------|
| | | "A" | "B" |
| AL | L-Rated | | |
| 225 | — | 12 (305) | 12 (305) |
| 400 | — | 12 (305) | 12 (305) |
| 600 | — | 12 (305) | 12 (305) |
| 800 | 400 | 12 (305) | 12 (305) |
| 1000 | 600 | 12(305) | 12 (305) |
| 1200 | 800 | 12 (305) | 12 (305) |
| 1350 | 1000 | 12 (305) | 12 (305) |
| 1600 | 1200 | 18 (457) | 18 (457) |
| 2000 | 1350,1600 | 18 (457) | 18 (457) |
| 2500 | 2000 | 18 (457) | 18 (457) |
| 3000 | 2500 | 18 (457) | 18 (457) |
| 3200 | 2000 | 18 (457) | 18 (457) |
| 4000 | 3000,3200 | 24 (610) | 24 (610) |
| CU | M-Rated | | |
| 225 | — | 12 (305) | 12 (305) |
| 400 | — | 12 (305) | 12 (305) |
| 600 | — | 12 (305) | 12 (305) |
| 800 | 400 | 12 (305) | 12 (305) |
| 1000 | — | 12 (305) | 12 (305) |
| 1200 | 600 | 12 (305) | 12 (305) |
| 1350 | 800 | 12 (305) | 12 (305) |
| 1600 | 1000 | 12 (305) | 12 (305) |
| 2000 | 1200,1350 | 12 (305) | 12 (305) |
| — | 1600 | 18 (457) | 18 (457) |
| 2500 | 2000 | 18 (457) | 18 (457) |
| 3000 | — | 18 (457) | 18 (457) |
| 3200 | — | 18 (457) | 18 (457) |
| 4000 | 2500,3000,3200 | 18 (457) | 18 (457) |
| 5000 | 4000 | 24 (610) | 24 (610) |

Flatwise Elbow Sections

Flatwise elbow sections are used for left and right directional changes when the busway system is mounted in the horizontal plane (bus bars run parallel to the floor). The joint stack assembly may be moved to the opposite leg to change the orientation from left to right/right to left.

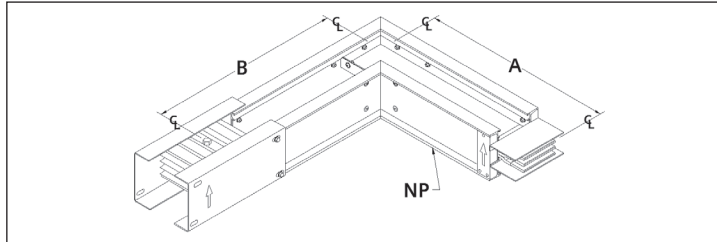
Flat Left

Suffix ELEF



Flat Right

Suffix ELFR



Edgewise Elbow Sections, Dimensions (standard/min.)

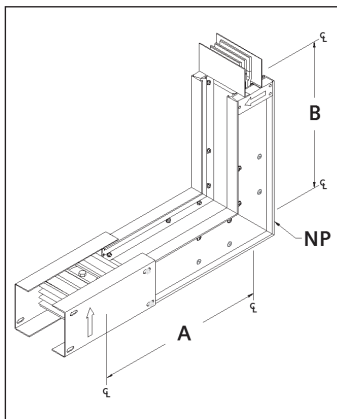
| Ampere Rating | | Dimensions Inches (mm) | |
|---------------|----------------|------------------------|----------|
| | | "A" | "B" |
| AL | L-Rated | | |
| 225 | — | 10 (254) | 10 (254) |
| 400 | — | 10 (254) | 10 (254) |
| 600 | — | 10 (254) | 10 (254) |
| 800 | 400 | 10 (254) | 10 (254) |
| 1000 | 600 | 10 (254) | 10 (254) |
| 1200 | 800 | 10 (254) | 10 (254) |
| 1350 | 1000 | 10 (254) | 10 (254) |
| 1600 | 1200 | 10 (254) | 10 (254) |
| 2000 | 1350,1600 | 10 (254) | 10 (254) |
| 2500 | 2000 | 10 (254) | 10 (254) |
| 3000 | 2500 | 10 (254) | 10 (254) |
| 3200 | 2000 | 10 (254) | 10 (254) |
| 4000 | 3000,3200 | 10 (254) | 10 (254) |
| CU | M-Rated | | |
| 225 | — | 10 (254) | 10 (254) |
| 400 | — | 10 (254) | 10 (254) |
| 600 | — | 10 (254) | 10 (254) |
| 800 | 400 | 10 (254) | 10 (254) |
| 1000 | — | 10 (254) | 10 (254) |
| 1200 | 600 | 10 (254) | 10 (254) |
| 1350 | 800 | 10 (254) | 10 (254) |
| 1600 | 1000 | 10 (254) | 10 (254) |
| 2000 | 1200,1350 | 10 (254) | 10 (254) |
| — | 1600 | 10 (254) | 10 (254) |
| 2500 | 2000 | 10 (254) | 10 (254) |
| 3000 | — | 10 (254) | 10 (254) |
| 3200 | — | 10 (254) | 10 (254) |
| 4000 | 2500,3000,3200 | 10 (254) | 10 (254) |
| 5000 | 4000 | 10 (254) | 10 (254) |

Edgewise Elbow Sections

Edgewise elbow sections create up and down directional changes. The "A" phase bus bar lies on the inside of the bend for edge up elbows. The "A" phase bus bar lies on the outside of the bend for edge down elbows. The joint stack assembly on edgewise elbows can not be moved in order to change orientation from up to down/down to up. Sentron Busway elbow sections are shipped with a joint stack assembly on one end for direct connection to the busway system.

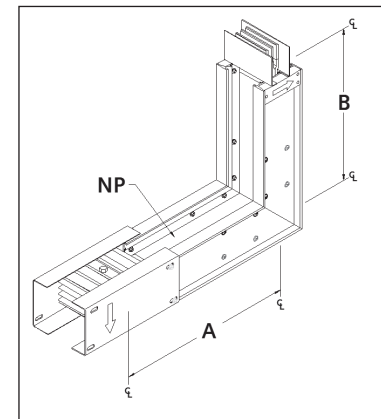
Edge Up

Suffix ELEU



Edge Down

Suffix ELED



Note: Odd angle elbow flatwise and edgewise elbow sections are available for angles 95° - 175° in 5° increments.

Sentron Busway Systems

Offsets

Offsets can be utilized to solve difficult contour problems and save space. In applications where space does not allow for two connected elbows, a single offset can bypass an obstruction. All offsets are supplied with one joint stack assembly.

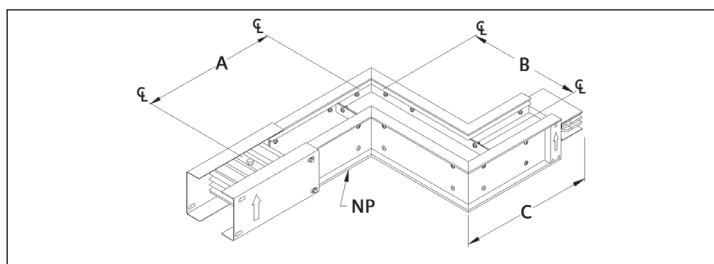
| Flatwise Offsets, Dimensions (standard/min.) | | Dimensions Inches (mm) | | |
|----------------------------------------------|----------------|------------------------|---------|----------|
| Ampere Rating | | "A" | "B" | "C" |
| AL | L-Rated | | | |
| 225 | — | 12 (305) | 5 (127) | 12 (305) |
| 400 | — | 12 (305) | 5 (127) | 12 (305) |
| 600 | — | 12 (305) | 5 (127) | 12 (305) |
| 800 | 400 | 12 (305) | 5 (127) | 12 (305) |
| 1000 | 600 | 12 (305) | 5 (127) | 12 (305) |
| 1200 | 800 | 12 (305) | 5 (127) | 12 (305) |
| 1350 | 1000 | 12 (305) | 5 (127) | 12 (305) |
| 1600 | 1200 | 18 (457) | 5 (127) | 18 (457) |
| 2000 | 1350,1600 | 18 (457) | 5 (127) | 18 (457) |
| 2500 | 2000 | 18 (457) | 5 (127) | 18 (457) |
| 3000 | 2500 | 18 (457) | 5 (127) | 18 (457) |
| 3200 | 2000 | 18 (457) | 5 (127) | 18 (457) |
| 4000 | 3000,3200 | 24 (610) | 8 (203) | 24 (610) |
| CU | M-Rated | | | |
| 225 | — | 12 (305) | 5 (127) | 12 (305) |
| 400 | — | 12 (305) | 5 (127) | 12 (305) |
| 600 | — | 12 (305) | 5 (127) | 12 (305) |
| 800 | 400 | 12 (305) | 5 (127) | 12 (305) |
| 1000 | — | 12 (305) | 5 (127) | 12 (305) |
| 1200 | 600 | 12 (305) | 5 (127) | 12 (305) |
| 1350 | 800 | 12 (305) | 5 (127) | 12 (305) |
| 1600 | 1000 | 12 (305) | 5 (127) | 12 (305) |
| 2000 | 1200,1350 | 12 (305) | 5 (127) | 12 (305) |
| — | 1600 | | | |
| 2500 | 2000 | 18 (457) | 5 (127) | 18 (457) |
| 3000 | — | 18 (457) | 5 (127) | 18 (457) |
| 3200 | — | 18 (457) | 5 (127) | 18 (457) |
| 4000 | 2500,3000,3200 | 18 (457) | 5 (127) | 18 (457) |
| 5000 | 4000 | 24 (610) | 8 (203) | 24 (610) |

| Edgewise Offsets, Dimensions (standard/min.) | | Dimensions Inches (mm) | | |
|----------------------------------------------|----------------|------------------------|---------|----------|
| Ampere Rating | | "A" | "B" | "C" |
| AL | L-Rated | | | |
| 225 | — | 10 (254) | 6 (152) | 10 (254) |
| 400 | — | 10 (254) | 6 (152) | 10 (254) |
| 600 | — | 10 (254) | 6 (152) | 10 (254) |
| 800 | 400 | 10 (254) | 6 (152) | 10 (254) |
| 1000 | 600 | 10 (254) | 6 (152) | 10 (254) |
| 1200 | 800 | 10 (254) | 6 (152) | 10 (254) |
| 1350 | 1000 | 10 (254) | 6 (152) | 10 (254) |
| 1600 | 1200 | 10 (254) | 6 (152) | 10 (254) |
| 2000 | 1350,1600 | 10 (254) | 6 (152) | 10 (254) |
| 2500 | 2000 | 10 (254) | 6 (152) | 10 (254) |
| 3000 | 2500 | 10 (254) | 6 (152) | 10 (254) |
| 3200 | 2000 | 10 (254) | 6 (152) | 10 (254) |
| 4000 | 3000,3200 | 10 (254) | 6 (152) | 10 (254) |
| CU | M-Rated | | | |
| 225 | — | 10 (254) | 6 (152) | 10 (254) |
| 400 | — | 10 (254) | 6 (152) | 10 (254) |
| 600 | — | 10 (254) | 6 (152) | 10 (254) |
| 800 | 400 | 10 (254) | 6 (152) | 10 (254) |
| 1000 | — | 10 (254) | 6 (152) | 10 (254) |
| 1200 | 600 | 10 (254) | 6 (152) | 10 (254) |
| 1350 | 800 | 10 (254) | 6 (152) | 10 (254) |
| 1600 | 1000 | 10 (254) | 6 (152) | 10 (254) |
| 2000 | 1200,1350 | 10 (254) | 6 (152) | 10 (254) |
| — | 1600 | 10 (254) | 6 (152) | 10 (254) |
| 2500 | 2000 | 10 (254) | 6 (152) | 10 (254) |
| 3000 | — | 10 (254) | 6 (152) | 10 (254) |
| 3200 | — | 10 (254) | 6 (152) | 10 (254) |
| 4000 | 2500,3000,3200 | 10 (254) | 6 (152) | 10 (254) |
| 5000 | 4000 | 10 (254) | 6 (152) | 10 (254) |

Note: Leg dimensions A and C have been reversed from prior publications.

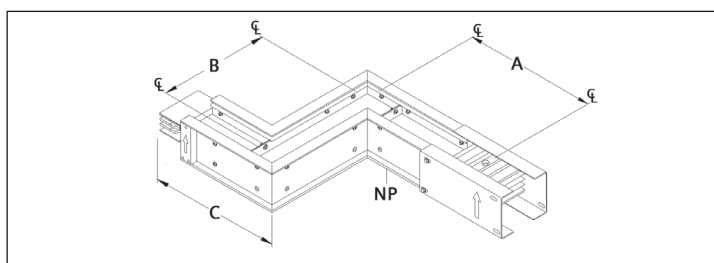
Flat Right

Suffix OFFR



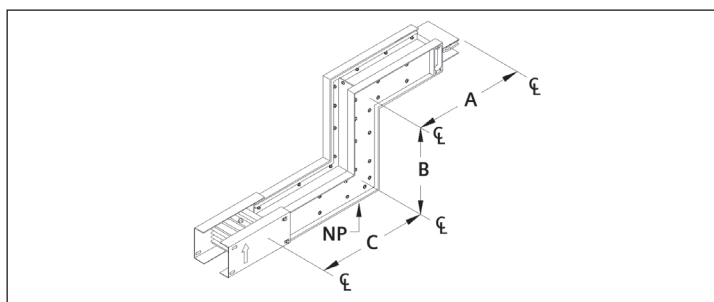
Flat Left

Suffix OFFL



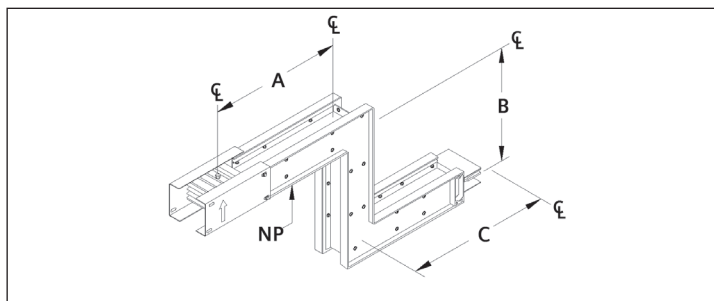
Edge Up

Suffix OFEU



Edge Down

Suffix OFED



Sentron Busway Systems Combinations

Combinations are used to create edge to flat and flat to edge changes in the busway run. One joint stack assembly is shipped with combination.

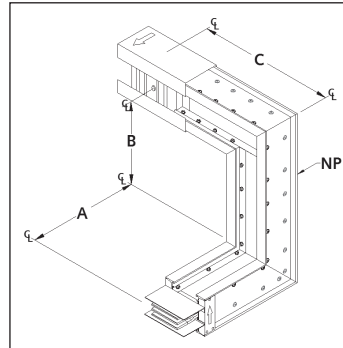
See drawings for minimum dimensions. Consult Busway Order Service for information on custom lengths.

| Combinations, Dimensions (standard/min.) | | Dimensions Inches (mm) | | |
|------------------------------------------|----------------|------------------------|----------|----------|
| Ampere Ratings | | "A" | "B" | "C" |
| AL | L-Rated | | | |
| 225 | — | 10 (254) | 8 (203) | 12 (305) |
| 400 | — | 10 (254) | 8 (203) | 12 (305) |
| 600 | — | 10 (254) | 8 (203) | 12 (305) |
| 800 | 400 | 10 (254) | 8 (203) | 12 (305) |
| 1000 | 600 | 10 (254) | 8 (203) | 12 (305) |
| 1200 | 800 | 10 (254) | 8 (203) | 12 (305) |
| 1350 | 1000 | 10 (254) | 8 (203) | 12 (305) |
| 1600 | 1200 | 10 (254) | 12 (305) | 18 (457) |
| 2000 | 1350,1600 | 10 (254) | 12 (305) | 18 (457) |
| 2500 | 2000 | 10 (254) | 12 (305) | 18 (457) |
| 3000 | 2500 | 10 (254) | 12 (305) | 18 (457) |
| 3200 | 2000 | 10 (254) | 12 (305) | 18 (457) |
| 4000 | 3000, 3200 | 10 (254) | 16 (406) | 24 (610) |
| CU | M-Rated | | | |
| 225 | — | 10 (254) | 8 (203) | 12 (305) |
| 400 | — | 10 (254) | 8 (203) | 12 (305) |
| 600 | — | 10 (254) | 8 (203) | 12 (305) |
| 800 | 400 | 10 (254) | 8 (203) | 12 (305) |
| 1000 | — | 10 (254) | 8 (203) | 12 (305) |
| 1200 | 600 | 10 (254) | 8 (203) | 12 (305) |
| 1350 | 800 | 10 (254) | 8 (203) | 12 (305) |
| 1600 | 1000 | 10 (254) | 8 (203) | 12 (305) |
| 2000 | 1200,1350 | 10 (254) | 8 (203) | 12 (305) |
| — | 1600 | 10 (254) | 12 (305) | 18 (457) |
| 2500 | 2000 | 10 (254) | 12 (305) | 18 (457) |
| 3000 | — | 10 (254) | 12 (305) | 18 (457) |
| 3200 | — | 10 (254) | 12 (305) | 18 (457) |
| 4000 | 2500,3000,3200 | 10 (254) | 12 (305) | 18 (457) |
| 5000 | 4000 | 10 (254) | 16 (406) | 24 (610) |

Note: Leg Dimensions A and C have been reversed from prior publications.

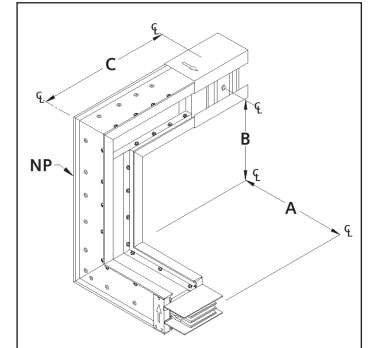
Flat Right - Edge Up

Suffix CORU



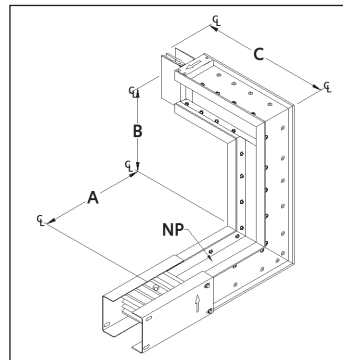
Flat Left - Edge Up

Suffix COLU



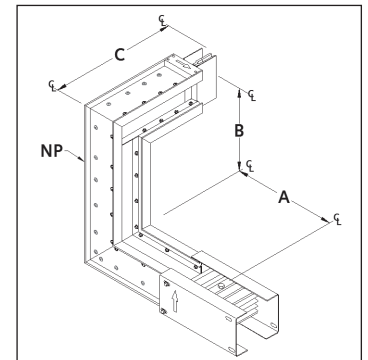
Edge Up - Flat Left

Suffix COUL



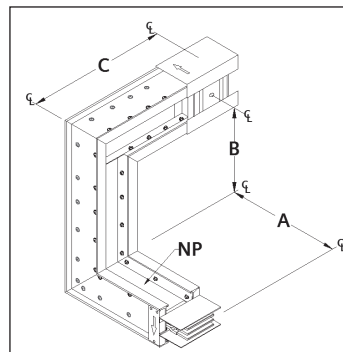
Edge Up - Flat Right

Suffix COUR



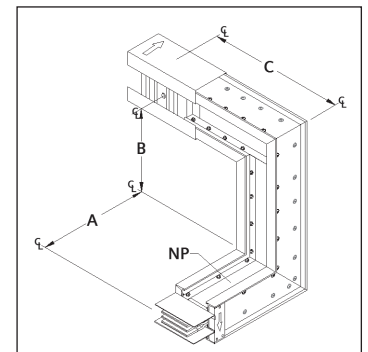
Flat Right - Edge Down

Suffix CORD



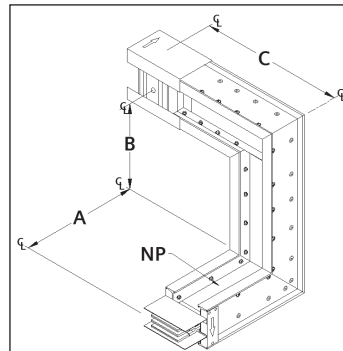
Flat Left - Edge Down

Suffix COLD



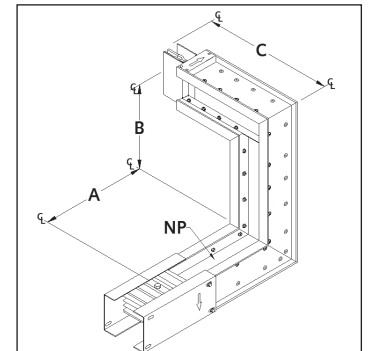
Edge Down - Flat Left

Suffix CODL



Edge Down - Flat Right

Suffix CODR



Sentron Busway Systems

Tees

Tees are used to simplify directional and plane orientation changes in a busway system. Tees can make 90° bends left or right, and up and down along the busway run. All tees are supplied with two joint stack assemblies.

| Flatwise Tees, Dimensions (standard/min.) | | |
|-------------------------------------------|----------------|-----------------------------------------|
| Ampere Rating | | Dimensions Inches (mm) "A", "B", "C" |
| AL | L-Rated | |
| 225 | — | 12 (305) |
| 400 | — | 12 (305) |
| 600 | — | 12 (305) |
| 800 | 400 | 12 (305) |
| 1000 | 600 | 12 (305) |
| 1200 | 800 | 12 (305) |
| 1350 | 1000 | 12 (305) |
| 1600 | 1200 | 18 (457) |
| 2000 | 1350,1600 | 18 (457) |
| 2500 | 2000 | 18 (457) |
| 3000 | 2500 | 18 (457) |
| 3200 | 2000 | 18 (457) |
| 4000 | 3000,3200 | 24 (610) |
| CU | M-Rated | |
| 225 | — | 12 (305) |
| 400 | — | 12 (305) |
| 600 | — | 12 (305) |
| 800 | 400 | 12 (305) |
| 1000 | — | 12 (305) |
| 1200 | 600 | 12 (305) |
| 1350 | 800 | 12 (305) |
| 1600 | 1000 | 12 (305) |
| 2000 | 1200,1350 | 12 (305) |
| — | 1600 | 18 (457) |
| 2500 | 2000 | 18 (457) |
| 3000 | — | 18 (457) |
| 3200 | — | 18 (457) |
| 4000 | 2500,3000,3200 | 18 (457) |
| 5000 | 4000 | 24 (610) |

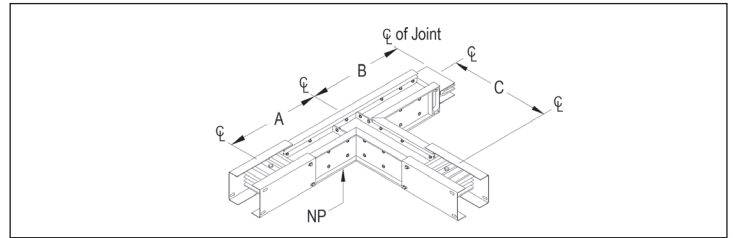
| Edgewise Tees, Dimensions (standard/min.) | | |
|-------------------------------------------|----------------|-------------------------------|
| Ampere Rating | | Dimensions Inches (mm) "D" |
| AL | L-Rated | |
| 225 | — | 13 (330) |
| 400 | — | 13 (330) |
| 600 | — | 13 (330) |
| 800 | 400 | 13 (330) |
| 1000 | 600 | 13 (330) |
| 1200 | 800 | 18 (457) |
| 1350 | 1000 | 18 (457) |
| 1600 | 1200 | 18 (457) |
| 2000 | 1350,1600 | 18 (457) |
| 2500 | 2000 | 27 (686) |
| 3000 | 2500 | 27 (686) |
| 3200 | 2000 | 27 (686) |
| 4000 | 3000,3200 | 29 (737) |
| CU | M-Rated | |
| 225 | — | 13 (330) |
| 400 | — | 13 (330) |
| 600 | — | 13 (330) |
| 800 | 400 | 13 (330) |
| 1000 | — | 13 (330) |
| 1200 | 600 | 13 (330) |
| 1350 | 800 | 13 (330) |
| 1600 | 1000 | 18 (457) |
| 2000 | 1200,1350 | 18 (457) |
| — | 1600 | 18 (457) |
| 2500 | 2000 | 18 (457) |
| 3000 | — | 27 (686) |
| 3200 | — | 27 (686) |
| 4000 | 2500,3000,3200 | 27 (686) |
| 5000 | 4000 | 29 (737) |

Flatwise Tees

Flatwise tees are used to create left and right branches.

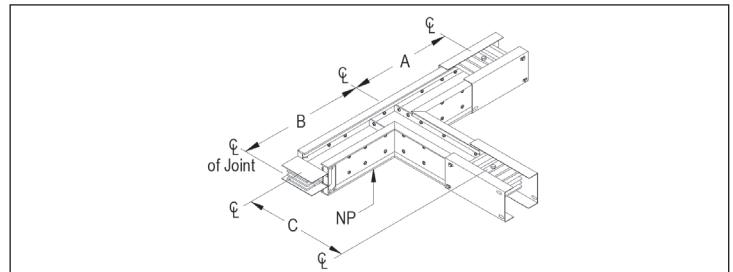
Flat Right

Suffix TEFR



Flat Left

Suffix TEFL

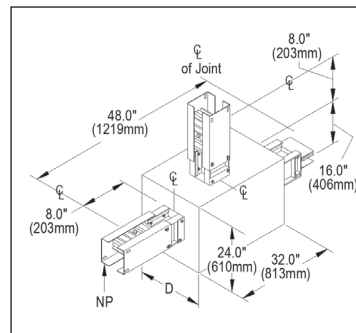


Edgewise Tees

Edgewise tees are used to create branches that stem up or down from the busway run.

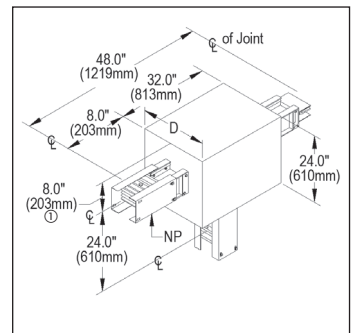
Edge Up

Suffix TEEU



Edge Down

Suffix TEED



① 12.0" (305mm) For Isolated Ground.

Sentron Busway Systems

End Tap Boxes

End tap boxes are non-fusible devices used to connect cable and conduit to the end of a busway run or where busway runs connect without the need for over-current protection. End tap boxes may be installed

at the end or beginning of a run. Vertical end tap boxes and horizontal end tap boxes can be installed in both horizontal and vertical applications. Extended end tap boxes are available if the application

requires additional wire bending space. One joint stack assembly is shipped with each end tap box.

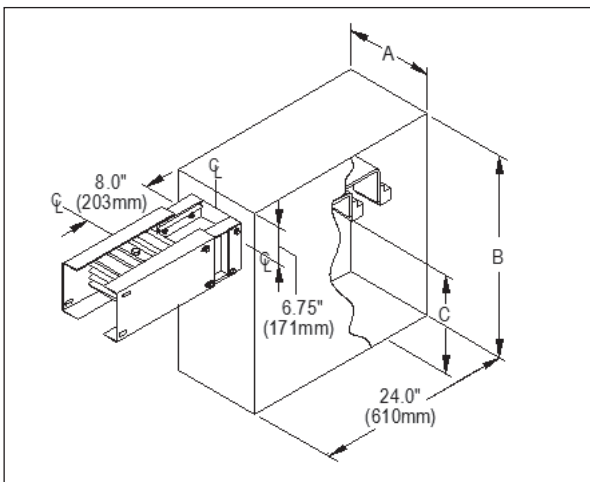
Standard and Extended Horizontal End Tap Boxes, Dimensions

| Ampere Rating | | Dimensions Inches (mm) | | | Wire Bend Space Per Phase & Neutral | | Cable Lugs Per Phase & Neutral | | Ground Lugs ^① |
|---------------|----------------|------------------------|----------|----------|-------------------------------------|----------|--------------------------------|------|--------------------------|
| | | "A" | "B" Std. | "B" Ext. | "C" Std. | "C" Ext. | Qty. | Size | |
| AL | L-Rated | | | | | | | | |
| 225 | — | 13 (330) | 30 (762) | 34 (863) | 17 (432) | 21 (533) | 1 | ① | 1 |
| 400 | — | 13 (330) | 30 (762) | 34 (863) | 17 (432) | 21 (533) | 1 | ② | 1 |
| 600 | — | 13 (330) | 30 (762) | 34 (863) | 17 (432) | 21 (533) | 2 | ② | 1 |
| 800 | 400 | 13 (330) | 30 (762) | 34 (863) | 17 (432) | 21 (533) | 3 | ② | 1 |
| 1000 | 600 | 13 (330) | 30 (762) | 34 (863) | 17 (432) | 21 (533) | 4 | ② | 1 |
| 1200 | 800 | 18 (457) | 32 (813) | 37 (940) | 20 (508) | 24 (610) | 4 | ② | 1 |
| 1350 | 1000 | 18 (457) | 33 (838) | 37 (940) | 20 (508) | 24 (610) | 5 | ② | 1 |
| 1600 | 1200 | 18 (457) | 33 (838) | 37 (940) | 20 (508) | 24 (610) | 6 | ② | 2 |
| 2000 | 1350,1600 | 18 (457) | 33 (838) | 37 (940) | 20 (508) | 24 (610) | 6 | ② | 2 |
| 2500 | 2000 | 27 (686) | 33 (838) | 37 (940) | 20 (508) | 24 (610) | 8 | ② | 2 |
| 3000 | 2500 | 27 (686) | 33 (838) | 37 (940) | 20 (508) | 24 (610) | 9 | ② | 2 |
| 3200 | 2000 | 27 (686) | 33 (838) | 37 (940) | 20 (508) | 24 (610) | 9 | ② | 2 |
| 4000 | 3000,3200 | 29 (737) | 33 (838) | 37 (940) | 20 (508) | 24 (610) | 12 | ② | 3 |
| CU | M-Rated | | | | | | | | |
| 225 | — | 13 (330) | 30 (762) | 34 (863) | 17 (432) | 21 (533) | 1 | ① | 1 |
| 400 | — | 13 (330) | 30 (762) | 34 (863) | 17 (432) | 21 (533) | 1 | ② | 1 |
| 600 | — | 13 (330) | 30 (762) | 34 (863) | 17 (432) | 21 (533) | 2 | ② | 1 |
| 800 | 400 | 13 (330) | 30 (762) | 34 (863) | 17 (432) | 21 (533) | 3 | ② | 1 |
| 1000 | — | 13 (330) | 30 (762) | 34 (863) | 17 (432) | 21 (533) | 4 | ② | 1 |
| 1200 | 600 | 13 (330) | 33 (838) | 37 (940) | 20 (508) | 24 (610) | 4 | ② | 1 |
| 1350 | 800 | 13 (330) | 33 (838) | 37 (940) | 20 (508) | 24 (610) | 4 | ② | 1 |
| 1600 | 1000 | 18 (457) | 33 (838) | 37 (940) | 20 (508) | 24 (610) | 5 | ② | 1 |
| 2000 | 1200,1350 | 18 (457) | 33 (838) | 37 (940) | 20 (508) | 24 (610) | 6 | ② | 2 |
| — | 1600 | 18 (457) | 33 (838) | 37 (940) | 20 (508) | 24 (610) | 5 | ② | 1 |
| 2500 | 2000 | 18 (457) | 33 (838) | 37 (940) | 20 (508) | 24 (610) | 8 | ② | 2 |
| 3000 | — | 27 (686) | 33 (838) | 37 (940) | 20 (508) | 24 (610) | 9 | ② | 2 |
| 3200 | — | 27 (686) | 33 (838) | 37 (940) | 20 (508) | 24 (610) | 9 | ② | 2 |
| 4000 | 2500,3000,3200 | 27 (686) | 33 (838) | 37 (940) | 20 (508) | 24 (610) | 12 | ② | 3 |
| 5000 | 4000 | 29 (737) | 33 (838) | 37 (940) | 20 (508) | 24 (610) | 15 | ② | 4 |

Horizontal End Tap Box

Suffix ETHS (Standard)

Suffix ETHX (Extended)



① #6 AWG -350 kcmil, Cu/Al.

② #4 AWG -600 kcmil, Cu/Al.

Sentron Busway Systems

End Tap Boxes

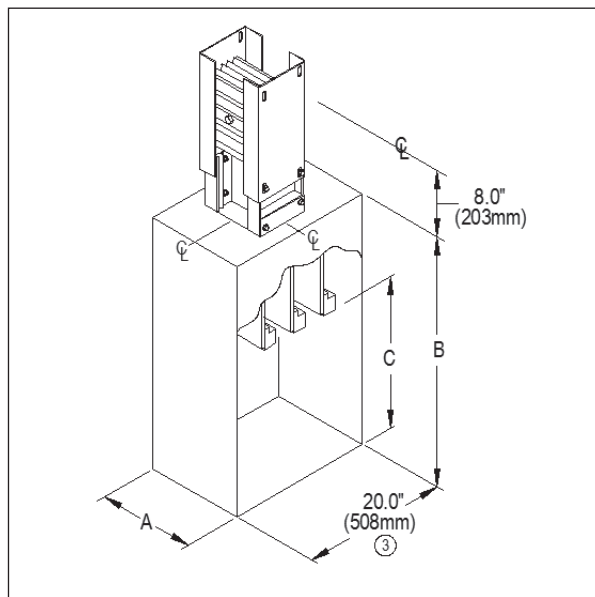
Standard and Extended Vertical End Tap Boxes, Dimensions

| Ampere Rating | | Dimensions Inches (mm) | | | Wire Bend Space Per Phase & Neutral | | Cable Lugs Per Phase & Neutral | | Ground Lugs ^① |
|-------------------|----------------|------------------------|----------|----------|-------------------------------------|----------|--------------------------------|------|--------------------------|
| | | "A" | "B" Std. | "B" Ext. | "C" Std. | "C" Ext. | Qty. | Size | |
| 225 | — | 13 (330) | 25 (635) | 29 (737) | 17 (432) | 21 (533) | 1 | ① | 1 |
| 400 | — | 13 (330) | 25 (635) | 29 (737) | 17 (432) | 21 (533) | 1 | ② | 1 |
| 600 | — | 13 (330) | 25 (635) | 29 (737) | 17 (432) | 21 (533) | 2 | ② | 1 |
| 800 | 400 | 13 (330) | 25 (635) | 29 (737) | 17 (432) | 21 (533) | 3 | ② | 1 |
| 1000 | 600 | 13 (330) | 25 (635) | 29 (737) | 17 (432) | 21 (533) | 4 | ② | 1 |
| 1200 | 800 | 18 (457) | 28 (711) | 32 (813) | 20 (508) | 24 (610) | 4 | ② | 1 |
| 1350 | 1000 | 18 (457) | 28 (711) | 32 (813) | 20 (508) | 24 (610) | 4 | ② | 1 |
| 1600 | 1200 | 18 (457) | 28 (711) | 32 (813) | 20 (508) | 24 (610) | 5 | ② | 2 |
| 2000 | 1350,1600 | 18 (457) | 28 (711) | 32 (813) | 20 (508) | 24 (610) | 6 | ② | 2 |
| 2500 | 2000 | 27 (686) | 28 (711) | 32 (813) | 20 (508) | 24 (610) | 8 | ② | 2 |
| 3000 | 2500 | 27 (686) | 28 (711) | 32 (813) | 20 (508) | 24 (610) | 9 | ② | 2 |
| 3200 | 2000 | 29 (737) | 28 (711) | 32 (813) | 20 (508) | 24 (610) | 9 | ② | 2 |
| 4000 | 3000,3200 | 29 (737) | 28 (711) | 32 (813) | 20 (508) | 24 (610) | 12 | ② | 3 |
| CU M-Rated | | | | | | | | | |
| 225 | — | 13 (330) | 25 (635) | 29 (737) | 17 (432) | 21 (533) | 1 | ① | 1 |
| 400 | — | 13 (330) | 25 (635) | 29 (737) | 17 (432) | 21 (533) | 1 | ② | 1 |
| 600 | — | 13 (330) | 25 (635) | 29 (737) | 17 (432) | 21 (533) | 2 | ② | 1 |
| 800 | 400 | 13 (330) | 25 (635) | 29 (737) | 17 (432) | 21 (533) | 3 | ② | 1 |
| 1000 | — | 13 (330) | 25 (635) | 29 (737) | 17 (432) | 21 (533) | 4 | ② | 1 |
| 1200 | 600 | 13 (330) | 28 (711) | 32 (813) | 20 (508) | 24 (610) | 4 | ② | 1 |
| 1350 | 800 | 13 (330) | 28 (711) | 32 (813) | 20 (508) | 24 (610) | 4 | ② | 1 |
| 1600 | 1000 | 18 (457) | 28 (711) | 32 (813) | 20 (508) | 24 (610) | 5 | ② | 1 |
| 2000 | 1200,1350 | 18 (457) | 28 (711) | 32 (813) | 20 (508) | 24 (610) | 6 | ② | 2 |
| — | 1600 | 18 (457) | 28 (711) | 32 (813) | 20 (508) | 24 (610) | 5 | ② | 1 |
| 2500 | 2000 | 18 (457) | 28 (711) | 32 (813) | 20 (508) | 24 (610) | 8 | ② | 2 |
| 3000 | — | 27 (686) | 28 (711) | 32 (813) | 20 (508) | 24 (610) | 9 | ② | 2 |
| 3200 | — | 27 (686) | 28 (711) | 32 (813) | 20 (508) | 24 (610) | 9 | ② | 2 |
| 4000 | 2500,3000,3200 | 27 (686) | 28 (711) | 32 (813) | 20 (508) | 24 (610) | 12 | ② | 3 |
| 5000 | 4000 | 29 (737) | 28 (711) | 32 (813) | 20 (508) | 24 (610) | 15 | ② | 4 |

Vertical End Tap Box

Suffix ETVS (Standard)

Suffix ETVX (Extended)



① #6 AWG -350 kcmil, Cu/Al.

② #4 AWG - 600 kcmil, Cu/Al.

③ 24.0" (610mm) for isolated ground.

Sentron Busway Systems

Center Tap Boxes

Center tap boxes are non-fusible devices utilized to feed to or take off power from the busway run. When loads served by the

busway run do not require over-current protection, center tap boxes may be used. If the application requires additional wiring

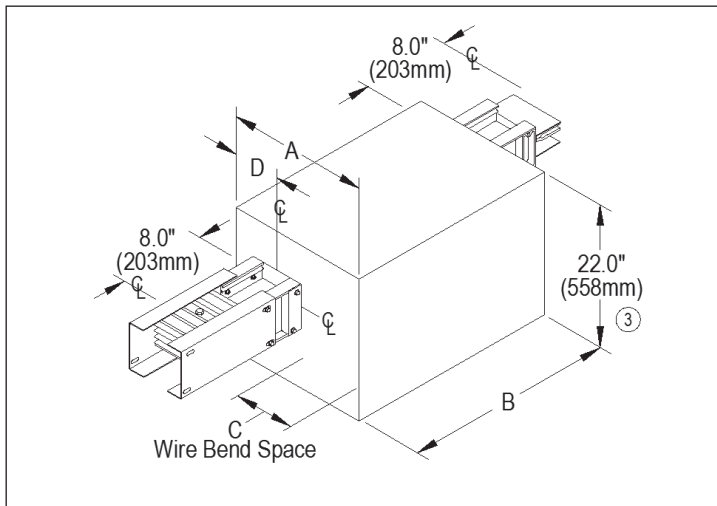
bending space, extended center tap boxes are available. One joint stack assembly is provided with each center tap box.

| Standard and Extended Center End Tap Boxes, Dimensions | | | | | | | | | | |
|--------------------------------------------------------|-----------------|------------------------|----------|------------|-----------------|----------|----------|--------------------------------|------|---------------|
| Ampere Rating | | Dimensions Inches (mm) | | | Wire Bend Space | | | Cable Lugs per Phase & Neutral | | Ground Lugs ① |
| | | "A" Std. | "B" | "D" | "A" Ext. | "C" Std. | "C" Ext. | Qty. | Size | |
| AL | L-Rated | | | | | | | | | |
| 225 | — | 25 (635) | 16 (406) | 3.9 (99) | 29 (737) | 17 (432) | 21 (533) | 1 | ② | 1 |
| 400 | — | 25 (635) | 16 (406) | 3.9 (99) | 29 (737) | 17 (432) | 21 (533) | 1 | ② | 1 |
| 600 | — | 25 (635) | 16 (406) | 3.9 (99) | 29 (737) | 17 (432) | 21 (533) | 2 | ② | 1 |
| 800 | 400 | 25 (635) | 16 (406) | 4.2 (107) | 29 (737) | 17 (432) | 21 (533) | 3 | ② | 1 |
| 1000 | 600 | 25 (635) | 16 (406) | 4.6 (117) | 29 (737) | 17 (432) | 21 (533) | 4 | ② | 1 |
| 1200 | 800 | 29 (737) | 16 (406) | 5.2 (132) | 33 (838) | 20 (508) | 24 (610) | 4 | ② | 1 |
| 1350 | 1000 | 29 (737) | 16 (406) | 5.7 (145) | 33 (838) | 20 (508) | 24 (610) | 4 | ② | 1 |
| 1600 | 1200 | 33 (838) | 20 (508) | 6.3 (160) | 37 (940) | 20 (508) | 24 (610) | 5 | ② | 1 |
| 2000 | 1350,1600 | 33 (838) | 20 (508) | 7.4 (188) | 37 (940) | 20 (508) | 24 (610) | 6 | ② | 2 |
| 2500 | 2000 | 37 (940) | 24 (610) | 8.7 (221) | 41 (1041) | 20 (508) | 24 (610) | 8 | ② | 2 |
| 3000 | 2500 | 37 (940) | 24 (610) | 9.7 (246) | 41 (1041) | 20 (508) | 24 (610) | 9 | ② | 2 |
| 3200 | 2000 | 37 (940) | 24 (610) | 9.7 (246) | 41 (1041) | 20 (508) | 24 (610) | 9 | ② | 2 |
| 4000 | 3000, 3200 | 45 (1143) | 28 (711) | 11.9 (302) | 49 (1245) | 20 (508) | 24 (610) | 12 | ② | 3 |
| CU | M-Rated | | | | | | | | | |
| 225 | — | 25 (635) | 16 (406) | 3.9 (99) | 29 (737) | 17 (432) | 21 (533) | 1 | ② | 1 |
| 400 | — | 25 (635) | 16 (406) | 3.9 (99) | 29 (737) | 17 (432) | 21 (533) | 1 | ② | 1 |
| 600 | — | 25 (635) | 16 (406) | 3.9 (99) | 29 (737) | 17 (432) | 21 (533) | 2 | ② | 1 |
| 800 | 400 | 25 (635) | 16 (406) | 4.2 (107) | 29 (737) | 17 (432) | 21 (533) | 3 | ② | 1 |
| 1000 | — | 25 (635) | 16 (406) | 4.2 (107) | 29 (737) | 18 (457) | 22 (559) | 4 | ② | 1 |
| 1200 | 600 | 29 (737) | 16 (406) | 4.5 (114) | 33 (838) | 22 (559) | 26 (660) | 4 | ② | 1 |
| 1350 | 800 | 29 (737) | 16 (406) | 4.8 (122) | 33 (838) | 21 (533) | 25 (635) | 4 | ② | 1 |
| 1600 | 1000 | 29 (737) | 20 (508) | 5.3 (135) | 33 (838) | 21 (533) | 25 (635) | 5 | ② | 1 |
| 2000 | 1200,1350 | 29 (737) | 20 (508) | 6.1 (155) | 33 (838) | 20 (508) | 24 (610) | 6 | ② | 2 |
| — | 1600 | 33 (838) | 20 (508) | 6.3 (160) | 37 (940) | 20 (508) | 24 (610) | 5 | ② | 1 |
| 2500 | 2000 | 33 (838) | 24 (610) | 7.3 (185) | 37 (940) | 23 (584) | 17 (432) | 8 | ② | 2 |
| 3000 | — | 33 (838) | 24 (610) | 7.9 (201) | 37 (940) | 20 (508) | 24 (610) | 9 | ② | 2 |
| 3200 | — | 33 (838) | 24 (610) | 7.9 (201) | 37 (940) | 20 (508) | 24 (610) | 9 | ② | 2 |
| 4000 | 2500,3000, 3200 | 37 (940) | 28 (711) | 9.4 (239) | 41 (1041) | 20 (508) | 24 (610) | 12 | ② | 3 |
| 5000 | 4000 | 40(1016) | 34 (863) | 11.7(297) | 44 (1118) | 19 (483) | 23 (584) | 15 | ② | 4 |

Center Tap Box

Suffix CTBS (Standard)

Suffix CTBX (Extended)



① #6 AWG -350 kcmil, Cu/Al.

② #4 AWG -600 kcmil, Cu/Al.

③ 24.0" (610mm) for isolated ground.

Sentron Busway Systems

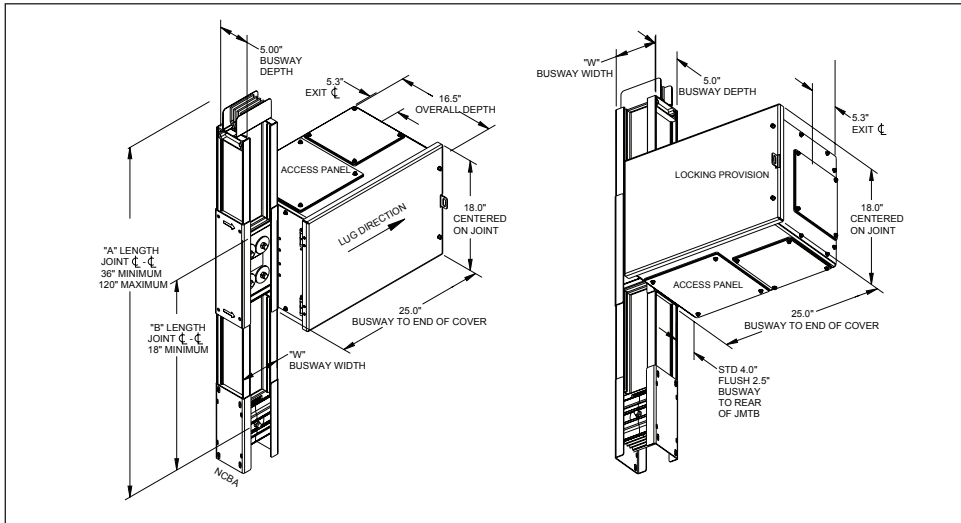
Joint Mounted Tap Boxes

The joint mounted tap box (JMTB) is used to tap off power via the busway joint. This device does not provide over-current protection and therefore,

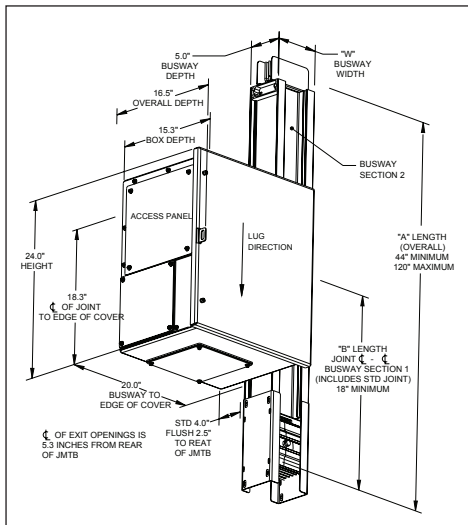
must be installed in compliance with NEC 240.21(B) ①. The small footprint is ideal for space limited applications. The JMTB is compatible with Power Mod, Lighting

Panels, Power Panels, and Switchboards 1200A and lower.

Horizontal Orientation JMTB



Vertical Orientation JMTB



Configuration Types

Given a vertical bus run, the JMTB can be configured such that it is on the Left, Right, or Both sides. The JMTB is shipped from the factory installed on the busway.

When installed on vertical busway, the lug orientation matches the orientation of the tap box. If using the horizontal JMTB the lug orientation will be left/right, if vertical JMTB it will be up/down.

The standard JMTB extends 4\"/>

Product Features

- Lug Orientation: Vertical or Horizontal
- Maximum Voltage: 600V
- Maximum UL Short Circuit Rating: 150kA ②
- Amperage Range: 100- 1200A
- Lug Type: Compression Only

Compression Lugs

The JMTB requires compression lugs, which aid in minimizing product size. The JMTB is shipped with UL listed crimp type compression lugs, which are sized to the amperage of the load side device.

Should additional lugs be required, please reference the table below. The JMTB utilizes general purpose aluminum 2 hole NEMA lugs, compatible with Aluminum and Copper wire. Homac AL-N series or equivalent are recommended. ③

If housing ground is selected the JMTB will contain a standard 4-hole NEMA pattern on a dedicated ground bar. If internal/isolated ground is selected, two ground bars will be included, each with the standard NEMA 4-hole pattern.

Compressions Lugs

| Wire size | Straight Lug Catalog Number | Stacking Lug Catalog Number |
|-----------|-----------------------------|-----------------------------|
| 1/0 | AL1/0-NTN | ASL1/0-NTN |
| 2/0 | AL2/0-NTN | ASL2/0-NTN |
| 3/0 | AL3/0-NTN | ASL3/0-NTN |
| 4/0 | AL4/0-NTN | ASL4/0-NTN |
| 250 | AL250-NTN | ASL250-NTN |
| 300 | AL300-NTN | ASL300-NTN |
| 350 | AL350-NTN | ASL350-NTN |

① This device requires compliance with NEC 240.21(B), see 2017 NEC, commonly referred to as the 10ft feeder tap rule. Feeder tap conductors cannot be over

10ft without overcurrent protection. Main circuit protection device is required downstream. Please reference the NEC before using this device.

② For series ratings reference the UL short circuit table in the Technical Data section.

③ Replacement lugs to be supplied by others.

Sentron Busway Systems

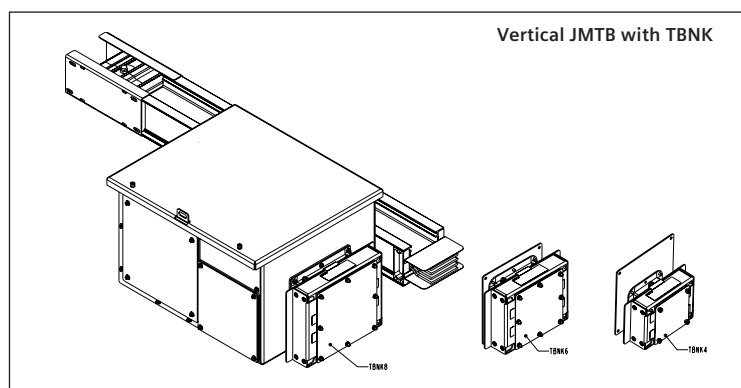
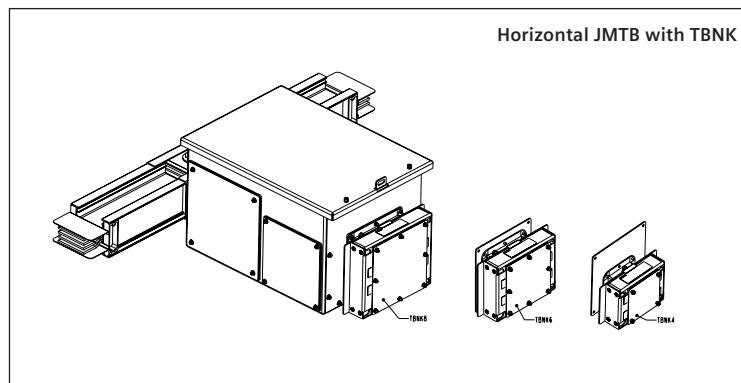
TBNK Fittings for Joint Mounted Tap Boxes

TBNK flexible fittings

TBNK flexible fittings are a UL listed, factory installed series of wireway couplings for use with Sentron Joint Mounted Tap Boxes (JMTB's). TBNK fittings provide a nominal 4.25" long flexible wireway for coupling the JMTB and rigidly mounted downstream equipment. TBNK fittings allow for expansion and contraction of the Busway absorbing up to an inch of movement. Available in 4, 6, and 8-inch sizes, TBNK fittings are suitable for a wide range of equipment amperages and cabling requirements. TBNK fittings if desired should be selected when ordering Sentron JMTB's.

Installation and Grounding

TBNK flexible fittings must be field installed onto downstream equipment. JMTB's ordered with TBNK fittings include Installation Instructions and a template for making the required cut-out in the downstream equipment enclosure. Location of equipment, cut out and cabling must comply with applicable standards including NEC, Local Building Codes and any other authorities having jurisdiction. Consult codes in advance to assure compliance. The JMTB is shipped from the factory with a braided copper ground cable riveted onto the TBNK. During installation, the opposite end of the ground cable must be connected to the enclosure of the downstream equipment. The Installation Instructions provide details of the ground cable installation procedure.



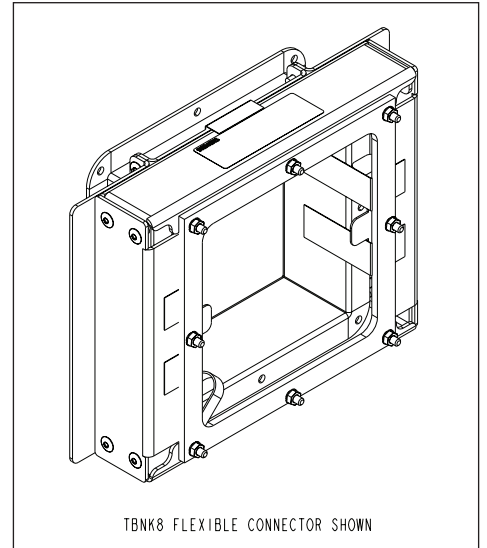
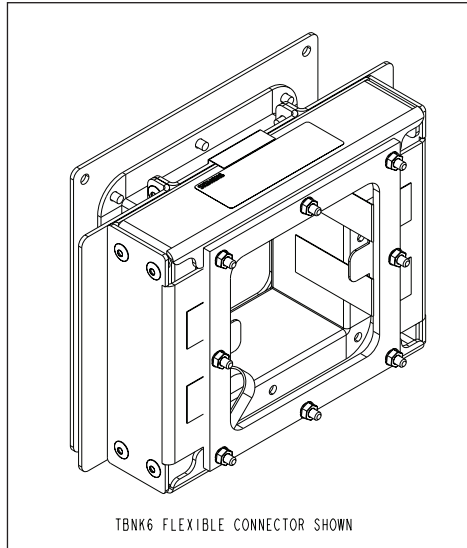
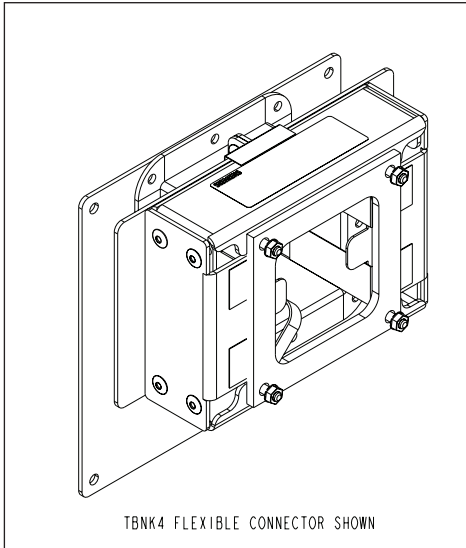
TBNK flexible fittings

| Catalog Number | Cutout Size | Wireway Size | Maximum Cable Size |
|----------------|-------------|-----------------------|--------------------|
| TBNK4 | 3.8" x 3.8" | 4" x 4" (16 sq. inch) | 900MCM |
| TBNK6 | 5.8" x 5.8" | 6" x 6" (36 sq. inch) | 500MCM |
| TBNK8 | 7.8" x 7.8" | 8" x 8" (64 sq. inch) | 4/0 |

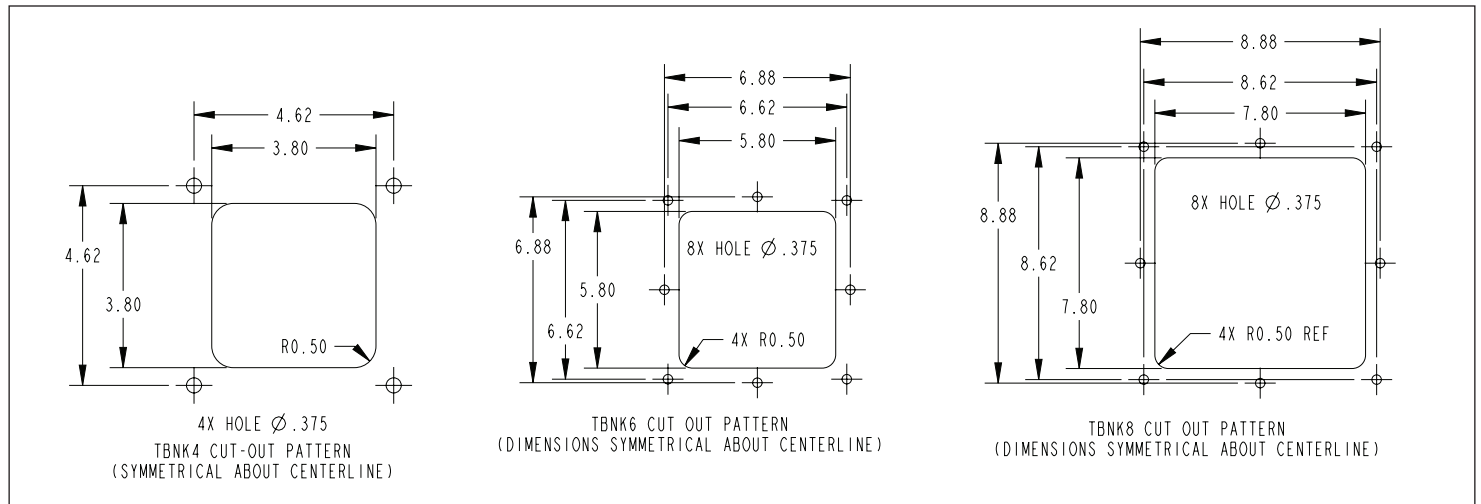
Sentron Busway Systems

TBNK Fittings for Joint Mounted Tap Boxes

TBNL4, TBNK6 and TBNK8



TBNK cut-out pattern



Sentron Busway Systems

In-Line Disconnect Cubicles and Expansion Fittings

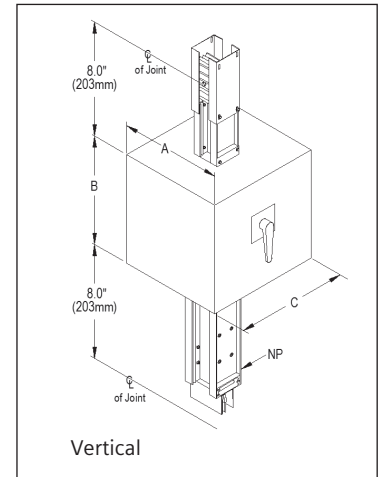
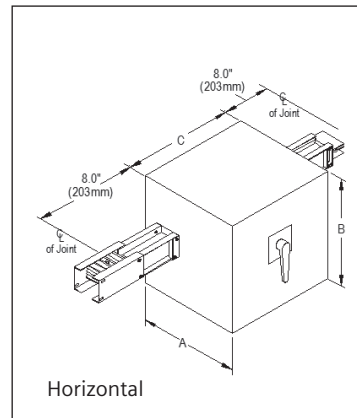
| In-Line Disconnect Cubicle, Dimensions ^② | |
|-----------------------------------------------------|---------------------------------------------------|
| Description of Unit | Type of Disconnect |
| Fusible Switch | 400-600A FK Visible Blade 800-1200A Vacu-Break |
| Molded Case Circuit Breaker | JD6, LD6, MD6, ND6 PD6, RD6 |
| Digital Sentron Series MCCBs | SJD6, SLD6, SMD6, SND6 SPD6 1600A Frame |
| Power Circuit Breaker | 200-5000A WL ^① |
| Bolted Pressure Switch | 800A 1200-2500A 3000A 4000A |
| ACCESS-compatible | |

- ① Consult your local Siemens sales office for details on WL breakers.
② Consult factory for dimensions.

In-Line Disconnect Cubicles

Cubicles provide a means of mounting switches or circuit breakers where power feeds to or pulls from the busway system. When bolted connections are preferred, cubicles may be used in place of plug-in units. Cubicles can also be used at ampere ratings that exceed standard plug-in unit ratings. Modifications to cubicles can be made in order to accommodate key interlocks, ground fault detector systems and power monitoring systems.

In-Line Disconnect Cubicle



| Expansion Fittings, Dimensions (standard/min.) | | |
|------------------------------------------------|------------------|-------------------------------|
| Ampere Rating | | Dimensions Inches (mm) "A" |
| AL | L-Rated | |
| 225 | — | 13 (330) |
| 400 | — | 13 (330) |
| 600 | — | 13 (330) |
| 800 | 400 | 13 (330) |
| 1000 | 600 | 13 (330) |
| 1200 | 800 | 18 (457) |
| 1350 | 1000 | 18 (457) |
| 1600 | 1200 | 18 (457) |
| 2000 | 1350, 1600 | 18 (457) |
| 2500 | 2000 | 23 (584) |
| 3000 | 2500 | 23 (584) |
| 3200 | 2000 | 25 (635) |
| 4000 | 3000, 3200 | 25 (635) |
| CU | M-Rated | |
| 225 | — | 13 (330) |
| 400 | — | 13 (330) |
| 600 | — | 13 (330) |
| 800 | 400 | 13 (330) |
| 1000 | — | 13 (330) |
| 1200 | 600 | 13 (330) |
| 1350 | 800 | 13 (330) |
| 1600 | 1000 | 18 (457) |
| 2000 | 1200, 1350 | 18 (457) |
| — | 1600 | 18 (457) |
| 2500 | 2000 | 18 (457) |
| 3000 | — | 23 (584) |
| 3200 | — | 23 (584) |
| 4000 | 2500, 3000, 3200 | 23 (584) |
| 5000 | 4000 | 25 (635) |

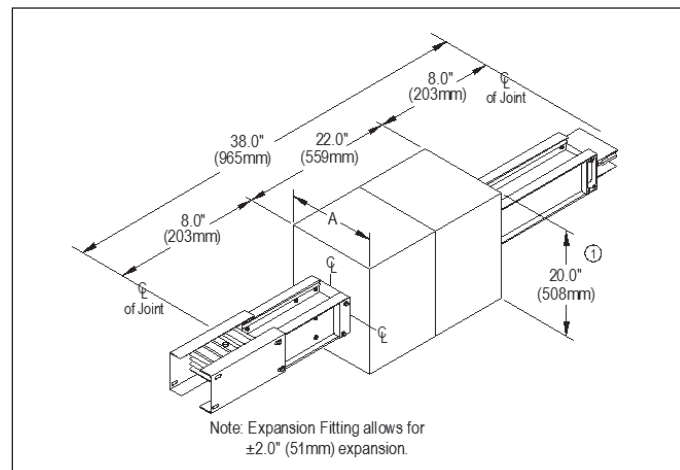
Expansion Fittings

Expansion fittings accommodate for expansion and contraction of a busway run and building movement. Expansion fittings typically are installed in the center of long busway runs, and at the beginning of riser runs to minimize stress on the lower most device or where a busway run crosses an expansion joint of a building.

Qty (1) Expansion Section should be used for every 200ft of continuous Busway run length and for each building expansion joint. The Busway run must be positioned accordingly to accommodate the Expansion Section(s).

Expansion Fitting

Suffix XPFT



① 24.0" (610mm) for isolated ground.

Sentron Busway Systems

Reducers and Phase Rotation Fittings

| Fused Reducers, Dimensions (standard/min.) | | |
|--------------------------------------------|----------------|-------------------------------|
| Ampere Rating | | Dimensions Inches (mm) "A" |
| AL | L-Rated | |
| 225 | — | 11.4 (289) |
| 400 | — | 11.4 (289) |
| 600 | — | 11.4 (289) |
| 800 | 400 | 11.4 (289) |
| 1000 | 600 | 11.4 (289) |
| 1200 | 800 | 12.5 (318) |
| 1350 | 1000 | 13.5 (343) |
| 1600 | 1200 | 14.6 (372) |
| 2000 | 1350,1600 | 16.9 (429) |
| 2500 | 2000 | 19.6 (498) |
| 3000 | 2500 | 21.3 (541) |
| 3200 | 2000 | 22.9 (582) |
| 4000 | 3000,3200 | 31.5 (800) |
| CU | M-Rated | |
| 225 | — | 10.4 (264) |
| 400 | — | 10.4 (264) |
| 600 | — | 10.4 (264) |
| 800 | 400 | 10.4 (264) |
| 1000 | — | 10.4 (264) |
| 1200 | 600 | 11.0 (280) |
| 1350 | 800 | 11.6 (296) |
| 1600 | 1000 | 12.6 (321) |
| 2000 | 1200,1350 | 14.1 (359) |
| — | 1600 | 14.6 (372) |
| 2500 | 2000 | 16.6 (423) |
| 3000 | — | 17.9 (455) |
| 3200 | — | 18.9 (480) |
| 4000 | 2500,3000,3200 | 20.9 (531) |
| 5000 | 4000 | 31.5 (800) |

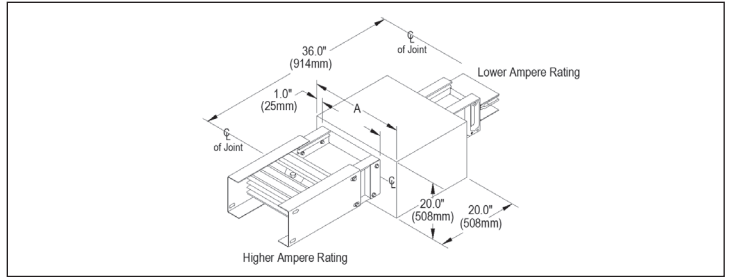
| Phase Rotation Fittings, Dimensions (standard/min.) | | |
|-----------------------------------------------------|----------------|-------------------------------|
| Ampere Rating | | Dimensions Inches (mm) "A" |
| AL | L-Rated | |
| 225 | — | 7.9 (200) |
| 400 | — | 7.9 (200) |
| 600 | — | 7.9 (200) |
| 800 | 400 | 8.5 (216) |
| 1000 | 600 | 9.4 (239) |
| 1200 | 800 | 10.5 (267) |
| 1350 | 1000 | 11.5 (293) |
| 1600 | 1200 | 12.6 (321) |
| 2000 | 1350,1600 | 14.9 (376) |
| 2500 | 2000 | 17.6 (447) |
| 3000 | 2500 | 19.8 (503) |
| 3200 | 2000 | 21.3 (541) |
| 4000 | 3000,3200 | 24.3 (617) |
| CU | M-Rated | |
| 225 | — | 7.9 (200) |
| 400 | — | 7.9 (200) |
| 600 | — | 7.9 (200) |
| 800 | 400 | 7.9 (200) |
| 1000 | — | 8.4 (213) |
| 1200 | 600 | 9.0 (229) |
| 1350 | 800 | 9.6 (245) |
| 1600 | 1000 | 10.6 (270) |
| 2000 | 1200,1350 | 12.1 (312) |
| — | 1600 | 12.6 (321) |
| 2500 | 2000 | 14.6 (372) |
| 3000 | — | 15.8 (402) |
| 3200 | — | 17.3 (439) |
| 4000 | 2500,3000,3200 | 19.3 (492) |
| 5000 | 4000 | 23.3 (592) |

Fused Reducers

The National Electric Code requires over current protection when busway systems are reduced in ampacity. A fused reducer is used to reduce the allowable ampere rating in those sections of the busway that do not require a higher rating (i.e. at branch circuit junctures).

Fused Reducer, Class "L" Size Fuses

Suffix RFRF



Non-Fused Reducers

Non-fused reducers are used in conjunction with the following exception to the Fused Reducer in the National Electric Code: "For industrial establishments only, omission of over current protection shall be permitted at points where busways are reduced in ampacity, provided that the length of the busway having the smaller ampacity does not exceed 50 ft. and has an ampacity of at least equal to one-third the rating or setting of the over current device next back on the line, and provided that such busway is free from contact with combustible material." Special joint stack connections are provided for non-fused reducer connections. Consult factory for specific design guidelines.

Phase-Rotation Fittings

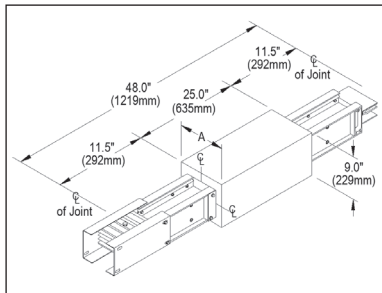
Phase-rotation fittings can be used when the application requires a phase rotation in the power supply. Phase rotation fittings can be ordered for "phase and ground", "phase only" and "ground only" rotations.

Phase Rotation Fitting

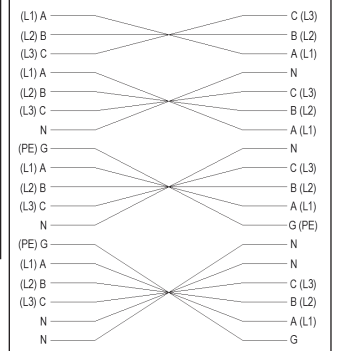
Suffix TRPG, Phase and Ground

TRPO, Phase Only

TRGO, Ground Only



Phase Rotation Examples



Sentron Busway Systems

Service Heads

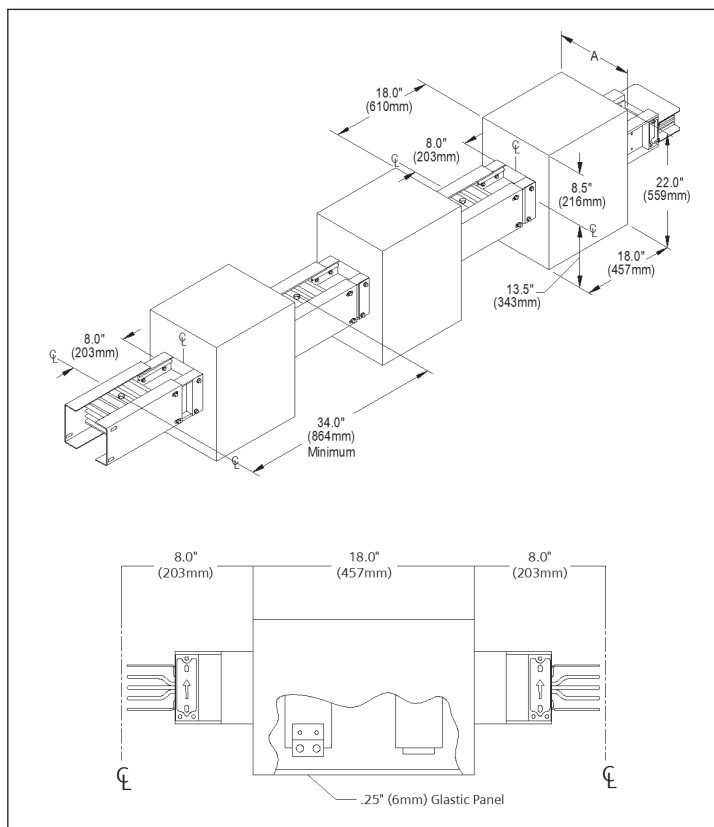
Service Heads are used to connect busway to a service entrance. In the Sentron Busway line, 3 single-phase service heads and 3-phase service head connections are available. The standard service entrance connection is the 3-phase service head which consists of one service head for all three phases. 3 single-phase service heads consist of three heads – one for each phase and may be used to

meet the requirements of certain applications. To ensure ease of installation of incoming cables, both types of Sentron service heads are constructed so that the lugs face the Glastic bottom of the box. The Glastic bottom provides insulation and protection to the incoming cables.

Single-Phase Service Heads, Dimensions (standard/min.)

| Ampere Rating | Dimensions Inches (mm) | Cable Lugs per Phase and Neutral | | Ground Lugs ^① |
|-------------------|------------------------|----------------------------------|-----------|--------------------------|
| | | Single-Phase "A" | Qty. Size | |
| AL L-Rated | | | | |
| 225 | — | 13 (330) | 1 ① | 1 |
| 400 | 225 | 13 (330) | 1 ② | 1 |
| 600 | — | 13 (330) | 2 ② | 1 |
| 800 | 400 | 13 (330) | 3 ② | 1 |
| 1000 | 600 | 13 (330) | 4 ② | 1 |
| 1200 | 800 | 18 (457) | 4 ② | 1 |
| 1350 | 1000 | 18 (457) | 4 ② | 1 |
| 1600 | 1200 | 18 (457) | 5 ② | 1 |
| 2000 | 1350,1600 | 20 (508) | 6 ② | 2 |
| 2500 | 2000 | 27 (686) | 8 ② | 2 |
| 3000 | 2500 | 29 (737) | 9 ② | 2 |
| 3200 | 2000 | 29 (737) | 9 ② | 2 |
| 4000 | 3000,3200 | 29 (737) | 12 ② | 3 |
| CU M-Rated | | | | |
| 225 | — | 13 (330) | 1 ① | 1 |
| 400 | — | 13 (330) | 1 ② | 1 |
| 600 | — | 13 (330) | 2 ② | 1 |
| 800 | 400 | 13 (330) | 3 ② | 1 |
| 1000 | — | 13 (330) | 4 ② | 1 |
| 1200 | 600 | 13 (330) | 4 ② | 1 |
| 1350 | 800 | 13 (330) | 4 ② | 1 |
| 1600 | 1000 | 18 (457) | 5 ② | 1 |
| 2000 | 1200,1350 | 20 (508) | 6 ② | 2 |
| — | 1600 | 18 (457) | 5 ② | 1 |
| 2500 | 2000 | 20 (508) | 8 ② | 2 |
| 3000 | — | 27 (686) | 9 ② | 2 |
| 3200 | — | 27 (686) | 9 ② | 2 |
| 4000 | 2500,3000,3200 | 27 (686) | 12 ② | 3 |
| 5000 | 4000 | 29 (737) | 15 ② | 4 |

Three Single-Phase Service Heads
Suffix V1TX



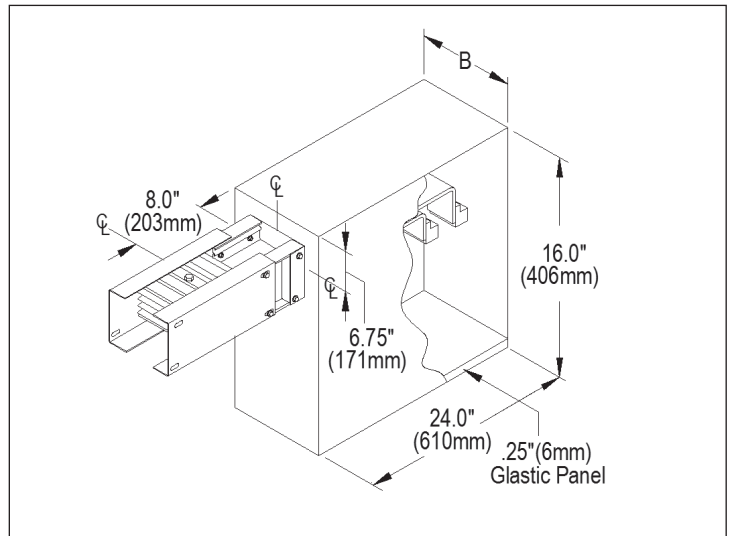
① #6 AWG - 350 kcmil, Cu / Al.
② #4 AWG - 600 kcmil, Cu / Al.

Sentron Busway Systems

Service Heads

| Three-Phase Service Heads, Dimensions (standard/min.) | | | | | |
|-------------------------------------------------------|----------------|------------------------|----------------------------------|------|--------------------------|
| Ampere Rating | | Dimensions Inches (mm) | Cable Lugs per Phase and Neutral | | Ground Lugs ^① |
| | | | Three-Phase BA" | Qty. | |
| AL | L-Rated | | | | |
| 225 | — | 13 (330) | 1 | ① | 1 |
| 400 | 225 | 13 (330) | 1 | ② | 1 |
| 600 | — | 13 (330) | 2 | ② | 1 |
| 800 | 400 | 13 (330) | 3 | ② | 1 |
| 1000 | 600 | 13 (330) | 4 | ② | 1 |
| 1200 | 800 | 18 (457) | 4 | ② | 1 |
| 1350 | 1000 | 18 (457) | 4 | ② | 1 |
| 1600 | 1200 | 18 (457) | 5 | ② | 1 |
| 2000 | 1350,1600 | 18 (457) | 6 | ② | 2 |
| 2500 | 2000 | 27 (686) | 8 | ② | 2 |
| 3000 | 2500 | 27 (686) | 9 | ② | 2 |
| 3200 | 2000 | 27 (686) | 9 | ② | 2 |
| 4000 | 3000,3200 | 29 (737) | 12 | ② | 3 |
| CU | M-Rated | | | | |
| 225 | — | 13 (330) | 1 | ① | 1 |
| 400 | — | 13 (330) | 1 | ② | 1 |
| 600 | — | 13 (330) | 2 | ② | 1 |
| 800 | 400 | 13 (330) | 3 | ② | 1 |
| 1000 | — | 13 (330) | 4 | ② | 1 |
| 1200 | 600 | 13 (330) | 4 | ② | 1 |
| 1350 | 800 | 13 (330) | 4 | ② | 1 |
| 1600 | 1000 | 18 (457) | 5 | ② | 1 |
| 2000 | 1200,1350 | 18 (457) | 6 | ② | 2 |
| — | 1600 | 18 (457) | 5 | ② | 1 |
| 2500 | 2000 | 18 (457) | 8 | ② | 2 |
| 3000 | — | 27 (686) | 9 | ② | 2 |
| 3200 | — | 27 (686) | 9 | ② | 2 |
| 4000 | 2500,3000,3200 | 27 (686) | 12 | ② | 3 |
| 5000 | 4000 | 29 (737) | 15 | ② | 4 |

Three-Phase Service Head
Suffix V3TX



① #6 AWG - 350 kcmil, Cu / Al.
② #4 AWG - 600 kcmil, Cu / Al.

Sentron Busway Systems

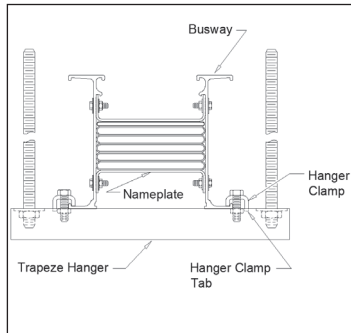
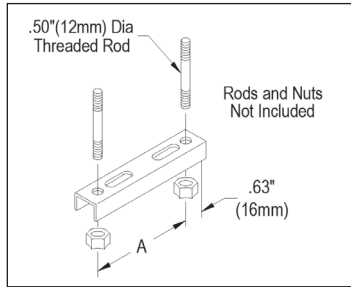
Hangers

| Trapeze Hanger, Dimensions and Catalog Numbers | | | |
|------------------------------------------------|----------------|----------------------------|------------------------------------------|
| Ampere Rating | | "A" Dimensions inches (mm) | Flat Mounted Catalog Number ^① |
| AL | L-Rated | | |
| 225 | — | 10.0 (254) | SXTH1 |
| 400 | — | 10.0 (254) | SXTH1 |
| 600 | — | 10.0 (254) | SXTH1 |
| 800 | 400 | 10.0 (254) | SXTH1 |
| 1000 | 600 | 10.0 (254) | SXTH1 |
| 1200 | 800 | 10.0 (254) | SXTH1 |
| 1350 | 1000 | 13.5 (343) | SXTH2 |
| 1600 | 1200 | 13.5 (343) | SXTH2 |
| 2000 | 1350,1600 | 13.5 (343) | SXTH2 |
| 2500 | 2000 | 18.5 (470) | SXTH3 |
| 3000 | 2500 | 18.5 (470) | SXTH3 |
| 3200 | 2000 | 18.5 (470) | SXTH3 |
| 4000 | 3000,3200 | 23.0 (584) | SXTH4 |
| CU | M-Rated | | |
| 225 | — | 10.0 (254) | SXTH1 |
| 400 | — | 10.0 (254) | SXTH1 |
| 600 | — | 10.0 (254) | SXTH1 |
| 800 | 400 | 10.0 (254) | SXTH1 |
| 1000 | — | 10.0 (254) | SXTH1 |
| 1200 | 600 | 10.0 (254) | SXTH1 |
| 1350 | 800 | 10.0 (254) | SXTH1 |
| 1600 | 1000 | 10.0 (254) | SXTH1 |
| 2000 | 1200,1350 | 13.5 (343) | SXTH2 |
| — | 1600 | 13.5 (343) | SXTH2 |
| 2500 | 2000 | 13.5 (343) | SXTH2 |
| 3000 | — | 18.5 (470) | SXTH3 |
| 3200 | — | 18.5 (470) | SXTH3 |
| 4000 | 2500,3000,3200 | 18.5 (470) | SXTH3 |
| 5000 | 4000 | 23.0 (584) | SXTH4 |

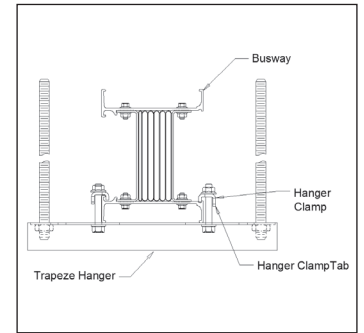
① Use SXTH1 for Edge Mounted.

Trapeze Hanger

A complete offering of hangers is available to support Sentron Busway in both vertical and horizontal applications. Standard trapeze hangers support Sentron Busway in horizontal applications on 10 ft. (3.05m) centers. Additional hangers may be used if structural requirements mandate their use. The contractor must supply drop rods to complete assembly for trapeze hangers.



Flat Mounted

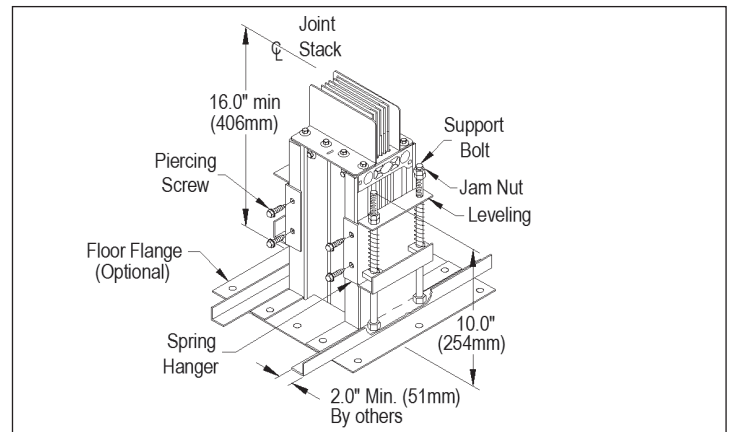


Edge Mounted

| Spring Hanger, Catalog Numbers | | | | | | |
|--------------------------------|----------------|------------------------------------------|--------|--------|--------|--------|
| Ampere Rating | | Catalog Assembly floor to ceiling height | | | | |
| | | 10ft. | 12 ft. | 14 ft. | 16 ft. | 18 ft. |
| AL | L-Rated | | | | | |
| 225 | — | SXSH4 | SXSH4 | SXSH4 | SXSH4 | SXSH4 |
| 400 | — | SXSH4 | SXSH4 | SXSH4 | SXSH4 | SXSH4 |
| 600 | — | SXSH4 | SXSH4 | SXSH4 | SXSH4 | SXSH4 |
| 800 | 400 | SXSH4 | SXSH4 | SXSH4 | SXSH4 | SXSH4 |
| 1000 | 600 | SXSH4 | SXSH4 | SXSH4 | SXSH4 | SXSH4 |
| 1200 | 800 | SXSH4 | SXSH4 | SXSH4 | SXSH4 | SXSH4 |
| 1350 | 1000 | SXSH4 | SXSH4 | SXSH4 | SXSH4 | SXSH4 |
| 1600 | 1200 | SXSH4 | SXSH4 | SXSH4 | SXSH4 | SXSH4 |
| 2000 | 1350,1600 | SXSH4 | SXSH4 | SXSH4 | SXSH4 | SXSH4 |
| 2500 | 2000 | SXSH4 | SXSH4 | SXSH4 | SXSH6 | SXSH6 |
| 3000 | 2500 | SXSH4 | SXSH6 | SXSH6 | SXSH6 | SXSH6 |
| 3200 | 2000 | SXSH4 | SXSH6 | SXSH6 | SXSH6 | SXSH6 |
| 4000 | 3000,3200 | SXSH4 | SXSH6 | SXSH6 | SXSH6 | SXSH8 |
| CU | M-Rated | | | | | |
| 225 | — | SXSH4 | SXSH4 | SXSH4 | SXSH4 | SXSH4 |
| 400 | — | SXSH4 | SXSH4 | SXSH4 | SXSH4 | SXSH4 |
| 600 | — | SXSH4 | SXSH4 | SXSH4 | SXSH4 | SXSH4 |
| 800 | 400 | SXSH4 | SXSH4 | SXSH4 | SXSH4 | SXSH4 |
| 1000 | — | SXSH4 | SXSH4 | SXSH4 | SXSH4 | SXSH4 |
| 1200 | 600 | SXSH4 | SXSH4 | SXSH4 | SXSH4 | SXSH4 |
| 1350 | 800 | SXSH4 | SXSH4 | SXSH4 | SXSH6 | SXSH6 |
| 1600 | 1000 | SXSH4 | SXSH4 | SXSH6 | SXSH6 | SXSH6 |
| 2000 | 1200,1350 | SXSH6 | SXSH6 | SXSH6 | SXSH6 | SXSH8 |
| — | 1600 | SXSH4 | SXSH4 | SXSH4 | SXSH4 | SXSH4 |
| 2500 | 2000 | SXSH6 | SXSH6 | SXSH8 | SXSH8 | SXSH8 |
| 3000 | — | SXSH6 | SXSH8 | SXSH8 | SXSH10 | SXSH10 |
| 3200 | — | SXSH6 | SXSH8 | SXSH8 | SXSH10 | SXSH12 |
| 4000 | 2500,3000,3200 | SXSH6 | SXSH8 | SXSH10 | SXSH12 | SXSH12 |
| 5000 | 4000 | SXSH6 | SXSH10 | SXSH12 | SXSH14 | SXSH14 |

Spring Hanger

Spring hangers and floor supports must be used to provide secure mounting of the busway run in vertical applications. Spring hangers support the weight of the busway on each floor and also compensate for minimal building movement and thermal expansion. Maximum distance between spring hangers may not exceed 16 ft. (4.88m). Intermediate support(s) and spring hanger(s) are needed for floor to ceiling heights greater than 16ft (4.88 m).



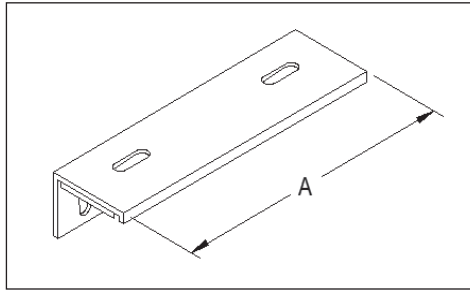
Note: Flanges do not offer support to the busway. Flanges provide a means of covering the hole created in the existing structure.

Sentron Busway Systems Hangers

| Structural Steel Hanger, Dimensions and Catalog Numbers | | | |
|---------------------------------------------------------|----------------|----------------------------|----------------|
| Ampere Rating | | "A" Dimensions Inches (mm) | Catalog Number |
| AL | L-Rated | | |
| 225 | — | 10.0 (254) | SXSS1 |
| 400 | — | 10.0 (254) | SXSS1 |
| 600 | — | 10.0 (254) | SXSS1 |
| 800 | 400 | 10.0 (254) | SXSS1 |
| 1000 | 600 | 10.0 (254) | SXSS1 |
| 1200 | 800 | 10.0 (254) | SXSS1 |
| 1350 | 1000 | 13.5 (343) | SXSS2 |
| 1600 | 1200 | 13.5 (343) | SXSS2 |
| 2000 | 1350,1600 | 13.5 (343) | SXSS2 |
| 2500 | 2000 | 18.5 (470) | SXSS3 |
| 3000 | 2500 | 18.5 (470) | SXSS3 |
| 3200 | 2000 | 18.5 (470) | SXSS3 |
| 4000 | 3000,3200 | 23.0 (584) | SXSS4 |
| CU | M-Rated | | |
| 225 | — | 10.0 (254) | SXSS1 |
| 400 | — | 10.0 (254) | SXSS1 |
| 600 | — | 10.0 (254) | SXSS1 |
| 800 | 400 | 10.0 (254) | SXSS1 |
| 1000 | — | 10.0 (254) | SXSS1 |
| 1200 | 600 | 10.0 (254) | SXSS1 |
| 1350 | 800 | 10.0 (254) | SXSS1 |
| 1600 | 1000 | 10.0 (254) | SXSS1 |
| 2000 | 1200,1350 | 13.5 (343) | SXSS2 |
| — | 1600 | 13.5 (343) | SXSS2 |
| 2500 | 2000 | 13.5 (343) | SXSS2 |
| 3000 | — | 13.5 (343) | SXSS2 |
| 3200 | — | 13.5 (343) | SXSS2 |
| 4000 | 2500,3000,3200 | 13.5 (343) | SXSS2 |
| 5000 | 4000 | 23.0 (584) | SXSS4 |

Structural Steel Hanger

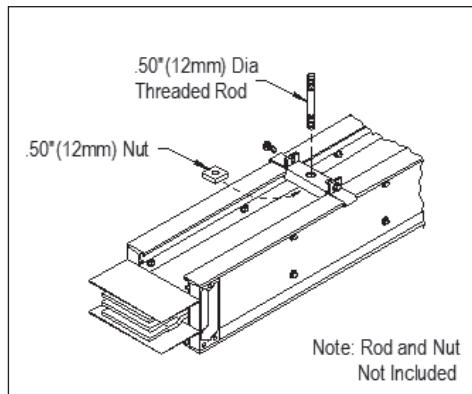
A complete offering of hangers is available to support Sentron Busway in both vertical and horizontal applications. Structural Steel hangers support Sentron Busway in horizontal applications on 10 ft. (3.05m) centers. Additional hangers may be used if structural requirements mandate their use.



| Single Drop Rod Hanger, Catalog Numbers | | |
|-----------------------------------------|----------------|----------------|
| Ampere Rating | | Catalog Number |
| AL | L-Rated | |
| 225 | — | SXDRA1 |
| 400 | — | SXDRA1 |
| 600 | — | SXDRA1 |
| 800 | 400 | SXDRA2 |
| 1000 | 600 | SXDRA3 |
| 1200 | 800 | SXDRA4 |
| 1350 | 1000 | SXDRA5 |
| 1600 | 1200 | SXDRA6 |
| 2000 | 1350,1600 | SXDRA7 |
| 2500 | 2000 | — |
| 3000 | 2500 | — |
| 3200 | 2000 | — |
| 4000 | 3000,3200 | — |
| CU | M-Rated | |
| 225 | — | SXDRC1 |
| 400 | — | SXDRC1 |
| 600 | — | SXDRC1 |
| 800 | — | SXDRC1 |
| 1000 | — | SXDRC2 |
| 1200 | 600 | SXDRC3 |
| 1350 | 800 | SXDRC4 |
| 1600 | 1000 | SXDRC5 |
| 2000 | 1200,1350 | SXDRC6 |
| — | 1600 | SXDRC6 |
| 2500 | 2000 | SXDRC7 |
| 3000 | — | — |
| 3200 | — | — |
| 4000 | 2500,3000,3200 | — |
| 5000 | 4000 | — |

Single Drop Rod Hanger

A complete offering of hangers is available to support Sentron Busway in both vertical and horizontal applications. Single drop rod hangers support Sentron Busway in horizontal applications on 10 ft. (3.05m) centers. Additional hangers may be used if structural requirements mandate their use. The contractor must supply drop rods to complete assembly for single drop rod hangers.



Note: Drop rod hangers can only be used when phase arrows are pointing up.

Sentron Busway Systems

Hangers and End Closers

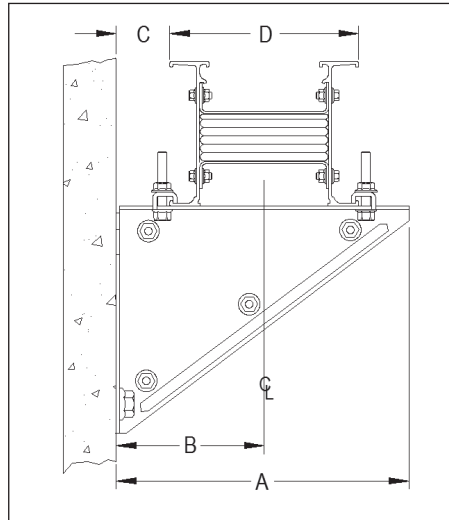
Wall Mounted Hanger, Dimensions and Catalog Numbers

| Ampere Rating | | Dimensions Inches (mm) | | | Catalog Number |
|-------------------|----------------|------------------------|------------|-----------|----------------|
| | | "A" | "B" | "C" | |
| AL L-Rated | | | | | |
| 225 | — | 12.3 (311) | 6.1 (156) | 4.2 (107) | SXWH1 |
| 400 | — | 12.3 (311) | 6.1 (156) | 4.2 (107) | SXWH1 |
| 600 | — | 12.3 (311) | 6.1 (156) | 4.2 (107) | SXWH1 |
| 800 | 400 | 12.3 (311) | 6.1 (156) | 3.8 (97) | SXWH1 |
| 1000 | 600 | 12.3 (311) | 6.1 (156) | 3.8 (97) | SXWH1 |
| 1200 | 800 | 12.3 (311) | 6.1 (156) | 2.8 (72) | SXWH1 |
| 1350 | 1000 | 16.3 (413) | 8.1 (206) | 4.4 (111) | SXWH2 |
| 1600 | 1200 | 16.3 (413) | 8.1 (206) | 3.9 (98) | SXWH2 |
| 2000 | 1350,1600 | 16.3 (413) | 8.1 (206) | 2.8 (70) | SXWH2 |
| 2500 | 2000 | 20.8 (527) | 10.4 (264) | 3.6 (92) | SXWH3 |
| 3000 | 2500 | 20.8 (527) | 10.4 (264) | 2.5 (64) | SXWH3 |
| 3200 | 2000 | 20.8 (527) | 10.4 (264) | 1.8 (46) | SXWH3 |
| 4000 | 3000,3200 | 25.3 (641) | 12.6 (321) | 2.5 (64) | SXWH4 |
| CU M-Rated | | | | | |
| 225 | — | 12.3 (311) | 6.1 (156) | 4.2 (107) | SXWH1 |
| 400 | — | 12.3 (311) | 6.1 (156) | 4.2 (107) | SXWH1 |
| 600 | — | 12.3 (311) | 6.1 (156) | 4.2 (107) | SXWH1 |
| 800 | 400 | 12.3 (311) | 6.1 (156) | 3.8 (97) | SXWH1 |
| 1000 | — | 12.3 (311) | 6.1 (156) | 3.8 (97) | SXWH1 |
| 1200 | 600 | 12.3 (311) | 6.1 (156) | 2.8 (72) | SXWH1 |
| 1350 | 800 | 12.3 (311) | 6.1 (156) | 2.8 (72) | SXWH1 |
| 1600 | 1000 | 12.3 (311) | 6.1 (156) | 2.8 (72) | SXWH1 |
| 2000 | 1200,1350 | 16.3 (413) | 8.1 (206) | 4.4 (111) | SXWH2 |
| — | 1600 | 16.3 (413) | 8.1 (206) | 3.9 (98) | SXWH2 |
| 2500 | 2000 | 16.3 (413) | 8.1 (206) | 2.8 (70) | SXWH2 |
| 3000 | — | 20.8 (527) | 10.4 (264) | 3.6 (92) | SXWH3 |
| 3200 | — | 20.8 (527) | 10.4 (264) | 2.5 (64) | SXWH3 |
| 4000 | 2500,3000,3200 | 20.8 (527) | 10.4 (264) | 1.8 (46) | SXWH3 |
| 5000 | 4000 | 25.3 (641) | 12.6 (321) | 2.5 (64) | SXWH4 |

Wall Mounted Hanger

Wall Mounted Hangers are used for horizontal applications close to a wall. The busway can be mounted either edgewise or flatwise to the wall.

Wall Mounted Hanger ensures the minimum clearance between the wall and the busway run.



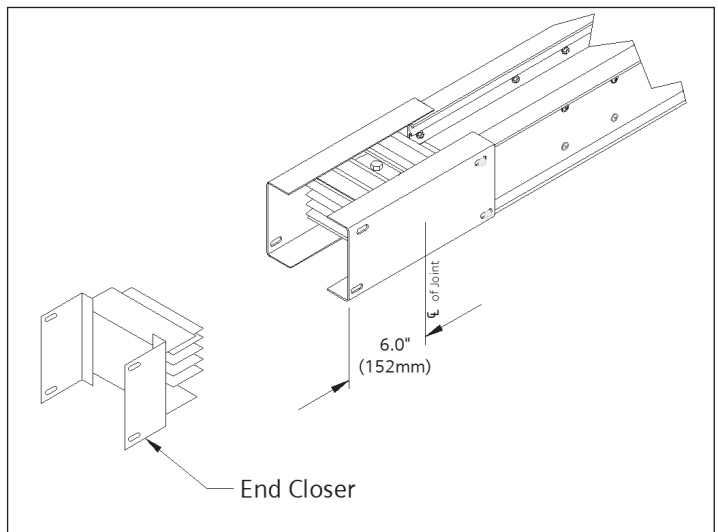
End Closers

End closers safely terminate a busway run and protect the bus bar ends. End closers may be removed easily in order to extend a busway run. End closers are shipped with Glastic insulation pieces, however, joint stacks and inspection covers are not included.

End Closers

(Joint stack and covers not included)

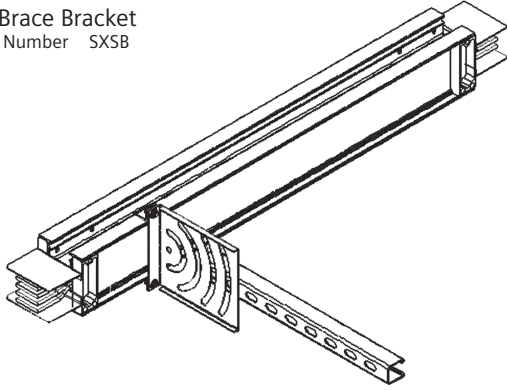
Suffix ECLS



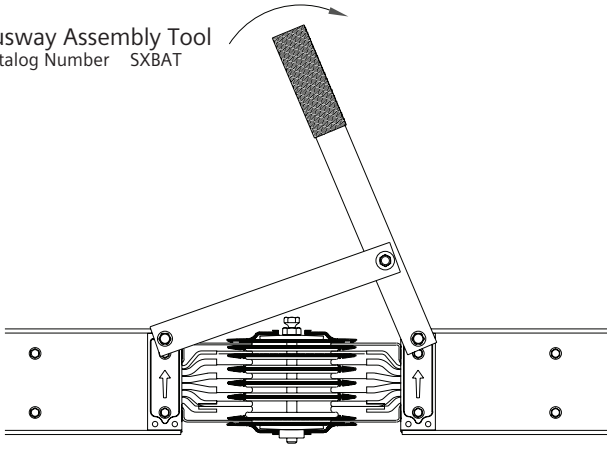
Sentron Busway Systems

Accessories

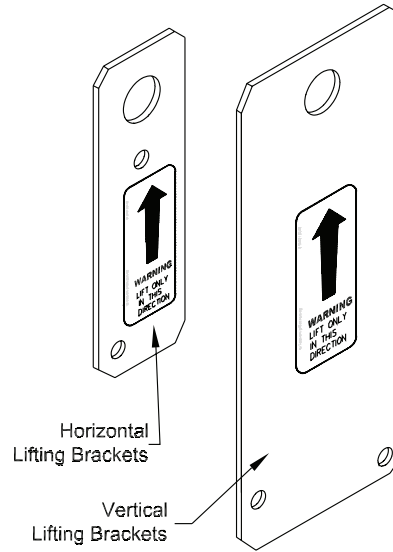
Sway Brace Bracket
Catalog Number SXS



Busway Assembly Tool
Catalog Number SXBAT



Lifting Kit
Catalog Number SXLK



Sentron Busway Systems

Roof and Wall Flanges

Roof, wall and floor flanges are available for Sentron Busway. When the busway run passes through a roof, wall or ceiling, a flange should be used. Flanges do not offer support to the busway. Flanges provide a means of covering the hole created in the existing structure.

Additional sealant may be required to meet fire codes and all other local requirements. No caulking or gasketing is provided with Sentron flanges.

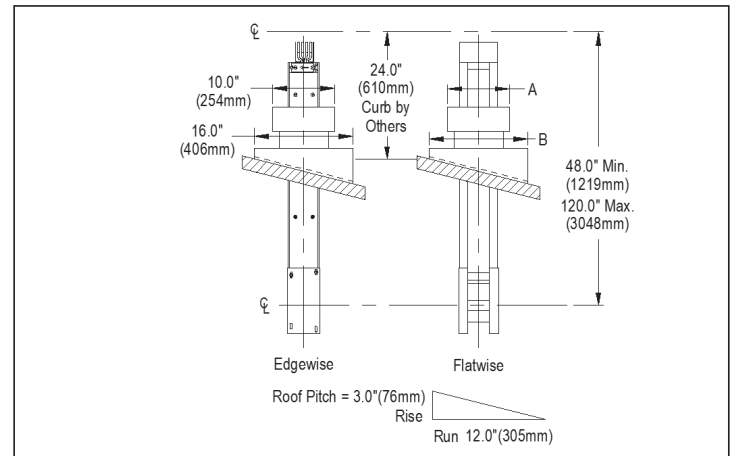
| Roof Flanges, Dimensions | | Dimensions Inches (mm) | |
|--------------------------|----------------|------------------------|------------|
| Ampere Rating | | "A" | "B" |
| AL | L-Rated | | |
| 225 | — | 12 (305) | 18 (457) |
| 400 | — | 12 (305) | 18 (457) |
| 600 | — | 12 (305) | 18 (457) |
| 800 | 400 | 12 (305) | 18 (457) |
| 1000 | 600 | 12 (305) | 18 (457) |
| 1200 | 800 | 12 (305) | 18 (457) |
| 1350 | 1000 | 16 (406) | 22 (559) |
| 1600 | 1200 | 16 (406) | 22 (559) |
| 2000 | 1350,1600 | 16 (406) | 22 (559) |
| 2500 | 2000 | 20.5 (521) | 22 (559) |
| 3000 | 2500 | 20.5 (521) | 26.5 (673) |
| 3200 | 2000 | 20.5 (521) | 26.5 (673) |
| 4000 | 3000,3200 | 25 (635) | 31 (787) |
| CU | M-Rated | | |
| 225 | — | 12 (305) | 18 (457) |
| 400 | — | 12 (305) | 18 (457) |
| 600 | — | 12 (305) | 18 (457) |
| 800 | 400 | 12 (305) | 18 (457) |
| 1000 | — | 12 (305) | 18 (457) |
| 1200 | 600 | 12 (305) | 18 (457) |
| 1350 | 800 | 12 (305) | 18 (457) |
| 1600 | 1000 | 12 (305) | 18 (457) |
| 2000 | 1200,1350 | 16 (406) | 22 (559) |
| — | 1600 | 16 (406) | 22 (559) |
| 2500 | 2000 | 16 (406) | 22 (559) |
| 3000 | — | 20.5 (521) | 26.5 (673) |
| 3200 | — | 20.5 (521) | 26.5 (673) |
| 4000 | 2500,3000,3200 | 20.5 (521) | 26.5 (673) |
| 5000 | 4000 | 25 (635) | 31 (787) |

Roof Flanges

Roof flanges are available for Sentron Busway. When the busway run passes through a roof, a flange should be used. Flanges do not offer support to the busway. Flanges provide a means of covering the hole created in the existing structure. Additional sealant may be required to meet fire codes and all other local requirements. No caulking or gasketing is provided with Sentron flanges. Roof flanges provide a watertight seal for use with NEMA 3R and IP66 rated busway. Roof pitch must be indicated on drawings when ordering roof flanges.

Roof Flanges

Suffix GRFL



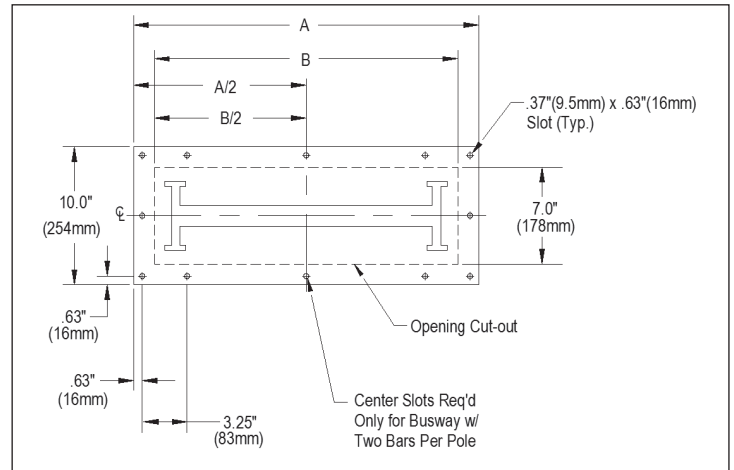
| Wall, Ceiling and Floor Flanges, Dimensions | | Dimensions Inches (mm) | |
|---------------------------------------------|----------------|------------------------|----------|
| Ampere Rating | | A | B |
| AL | L-Rated | | |
| 225 | — | 11 (279) | 7 (178) |
| 400 | — | 11 (279) | 7 (178) |
| 600 | — | 11 (279) | 7 (178) |
| 800 | 400 | 11 (279) | 7 (178) |
| 1000 | 600 | 12 (305) | 8 (203) |
| 1200 | 800 | 13 (330) | 9 (229) |
| 1350 | 1000 | 14 (356) | 10 (254) |
| 1600 | 1200 | 15 (381) | 11 (279) |
| 2000 | 1350,1600 | 17 (432) | 13 (330) |
| 2500 | 2000 | 20 (508) | 16 (406) |
| 3000 | 2500 | 22 (559) | 18 (457) |
| 3200 | 2000 | 24 (610) | 20 (508) |
| 4000 | 3000,3200 | 26 (660) | 22 (559) |
| CU | M-Rated | | |
| 225 | — | 10 (254) | 6 (152) |
| 400 | — | 10 (254) | 6 (152) |
| 600 | — | 10 (254) | 6 (152) |
| 800 | 400 | 10 (254) | 6 (152) |
| 1000 | — | 11 (279) | 7 (178) |
| 1200 | 600 | 12 (305) | 8 (203) |
| 1350 | 800 | 12 (305) | 8 (203) |
| 1600 | 1000 | 13 (330) | 9 (229) |
| 2000 | 1200,1350 | 15 (381) | 11 (279) |
| — | 1600 | 15 (381) | 11 (279) |
| 2500 | 2000 | 17 (432) | 13 (330) |
| 3000 | — | 18 (457) | 14 (356) |
| 3200 | — | 19 (483) | 15 (381) |
| 4000 | 2500,3000,3200 | 21 (533) | 17 (432) |
| 5000 | 4000 | 26 (660) | 22 (559) |

Wall, Ceiling and Floor Flanges

Wall/Floor flanges are available for Sentron Busway. When the busway run passes through a wall or ceiling, a flange should be used. Flanges do not offer support to the busway. Flanges provide a means of covering the hole created in the existing structure. Additional sealant may be required to meet fire codes and all other local requirements. No caulking or gasketing is provided with Sentron flanges.

Wall, Ceiling and Floor Flanges

Suffix GWFL



Sentron Busway Systems

Flanged Ends

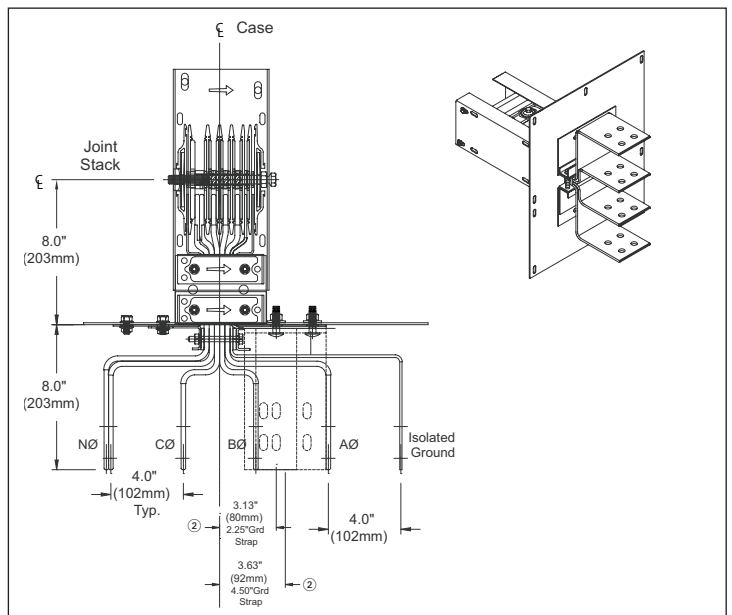
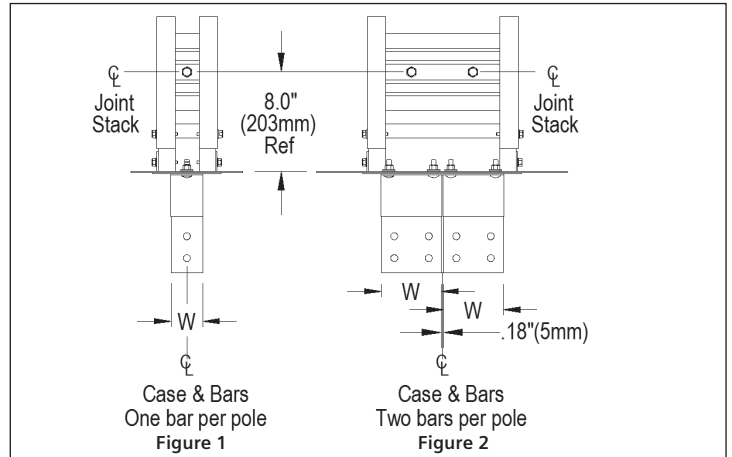
Flanged ends provide a direct connection to low voltage switchgear, switchboards, motor control centers, large power panels, and other electrical distribution equipment.

Flanged ends are shipped with one joint stack assembly. The switchgear manufacture supplies lugs and mounting hardware. See illustration for flanged end drilling patterns.

| Flanged End, Dimensions | | Dimensions Inches (mm) | |
|-------------------------|----------------|------------------------|----------|
| Ampere Rating | | "W" | Fig. No. |
| AL | L-Rated | | |
| 225 | — | 1.75 (44.4) | 1 |
| 400 | — | 1.75 (44.4) | 1 |
| 600 | — | 1.75 (44.4) | 1 |
| 800 | 400 | 2.38 (60.5) | 1 |
| 1000 | 600 | 3.25 (82.6) | 1 |
| 1200 | 800 | 4.38 (111.3) | 1 |
| 1350 | 1000 | 5.38 (136.7) | 1 |
| 1600 | 1200 | 6.50 (165.1) | 1 |
| 2000 | 1350,1600 | 8.75 (222.3) | 1 |
| 2500 | 2000 | 5.63 (143.0) | 2 |
| 3000 | 2500 | 6.75 (171.5) | 2 |
| 3200 | 2000 | 7.50 (191.0) | 2 |
| 4000 | 3000,3200 | 9.00 (228.6) | 2 |
| CU | M-Rated | | |
| 225 | — | 1.75 (44.4) | 1 |
| 400 | — | 1.75 (44.4) | 1 |
| 600 | — | 1.75 (44.4) | 1 |
| 800 | 400 | 1.75 (44.4) | 1 |
| 1000 | — | 2.25 (57.2) | 1 |
| 1200 | 600 | 2.88 (73.2) | 1 |
| 1350 | 800 | 3.50 (88.9) | 1 |
| 1600 | 1000 | 4.50 (114.3) | 1 |
| 2000 | 1200,1350 | 6.00 (152.4) | 1 |
| — | 1600 | 6.50 (165.1) | 1 |
| 2500 | 2000 | 8.50 (215.9) | 1 |
| 3000 | — | 4.75 (120.7) | 2 |
| 3200 | — | 5.50 (139.7) | 2 |
| 4000 | 2500,3000,3200 | 6.50 (165.1) | 2 |
| 5000 | 4000 | 8.50 (215.9) | 2 |

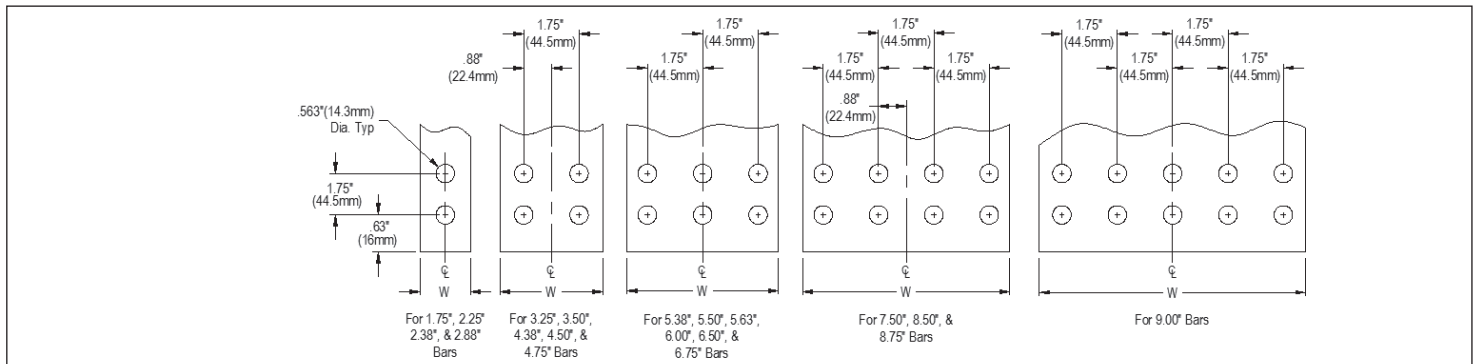
Flanged Ends

Suffix FRND



Flanged End Bus Bar Drilling Pattern (NEMA) ①

(Same pattern for 2 bus bars per pole, see figure 2 above.)



① Other drilling patterns are available and must be specified at order entry.

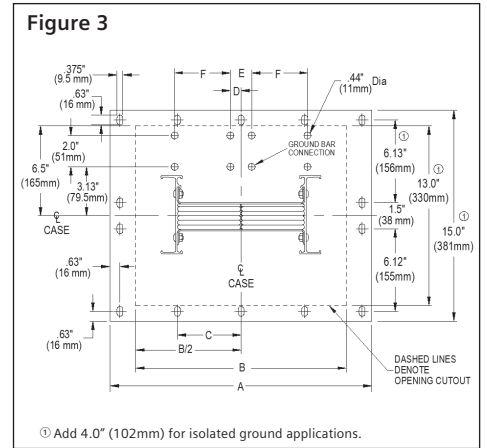
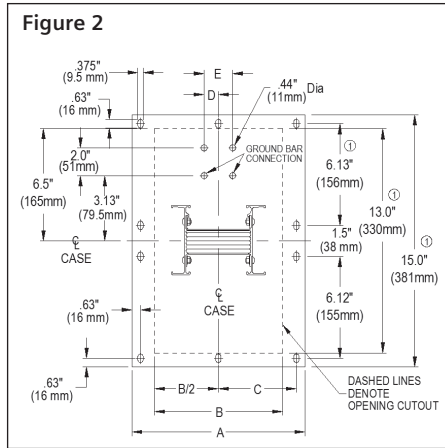
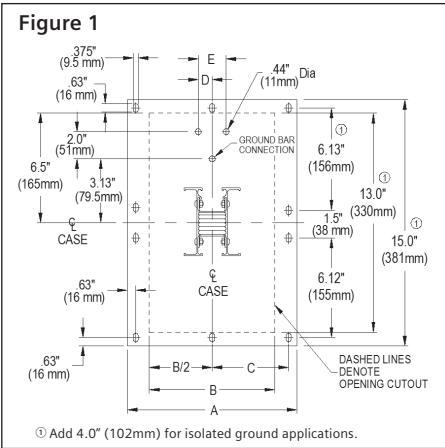
② See Figures 4 & 5 on Page 28 (Ground strap not provided on NEMA flange).

Sentron Busway Systems

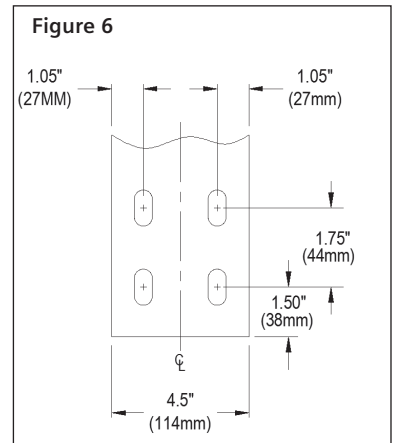
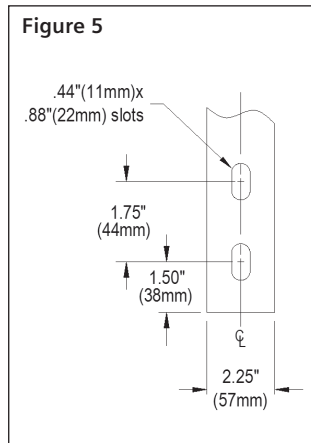
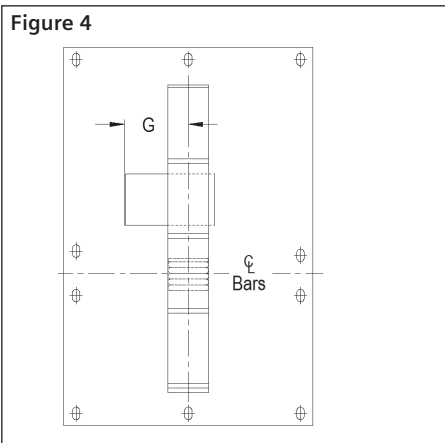
Flanged Ends

Flanged End, Dimensions (standard/min.)

| Ampere Rating | Dimensions Inches (mm) | | | | | | | | | |
|---------------------|------------------------|----------|-------------|-------------|------------|-----------|------------|------------|-------------|----------|
| | Ref. Bar Width | Fig. No. | "A" | "B" | "C" | "D" | "E" | "F" | "G" | Fig. No. |
| AL L-Rated | | | | | | | | | | |
| 225 — | 2.38 (60.5) | 1 | 10.0 (254) | 8.00 (203) | 4.38 (111) | 1.94 (49) | 3.88 (99) | — | 6.00 (152) | 4, 5 |
| 400 — | 2.38 (60.5) | 1 | 10.0 (254) | 8.00 (203) | 4.38 (111) | 1.94 (49) | 3.88 (99) | — | 6.00 (152) | 4, 5 |
| 600 — | 2.38 (60.5) | 1 | 10.0 (254) | 8.00 (203) | 4.38 (111) | 1.94 (49) | 3.88 (99) | — | 6.00 (152) | 4, 5 |
| 800 400 | 2.38 (60.5) | 1 | 10.0 (254) | 8.00 (203) | 4.38 (111) | 1.94 (49) | 3.88 (99) | — | 6.00 (152) | 4, 5 |
| 1000 600 | 3.25 (82.6) | 2 | 10.0 (254) | 8.00 (203) | 4.38 (111) | 1.94 (49) | 2.06 (52) | — | 6.00 (152) | 4, 6 |
| 1200 800 | 4.38 (111.3) | 2 | 15.50 (395) | 13.50 (343) | 7.13 (181) | 1.60 (41) | 3.19 (81) | — | 8.50 (216) | 4, 6 |
| 1350 1000 | 5.38 (136.7) | 2 | 15.50 (395) | 13.50 (343) | 7.13 (181) | 2.10 (53) | 4.19 (106) | — | 8.50 (216) | 4, 6 |
| 1600 1200 | 6.50 (165.1) | 2 | 15.50 (395) | 13.50 (343) | 7.13 (181) | 2.66 (67) | 5.31 (135) | — | 8.50 (216) | 4, 6 |
| 2000 1350,1600 | 8.75 (222.3) | 2 | 15.50 (395) | 13.50 (343) | 7.13 (181) | 3.78 (96) | 7.56 (192) | — | 8.50 (216) | 4, 6 |
| 2500 2000 | 5.63 (143.0) | 3 | 20.0 (508) | 18.00 (457) | 4.50 (114) | 0.68 (17) | 1.37 (36) | 4.44 (113) | 13.25 (337) | 4, 6 |
| 3000 2500 | 6.75 (171.5) | 3 | 20.0 (508) | 18.00 (457) | 4.50 (114) | 0.68 (17) | 1.37 (36) | 5.56 (141) | 13.25 (337) | 4, 6 |
| 3200 2000 | 7.50 (190.5) | 3 | 24.0 (610) | 22.0 (569) | 5.50 (140) | 0.68 (17) | 1.37 (36) | 6.32 (161) | 13.25 (337) | 4, 6 |
| 4000 3000,3200 | 9.00 (228.6) | 3 | 24.0 (610) | 22.0 (569) | 5.50 (140) | 0.68 (17) | 1.37 (36) | 7.81 (198) | 14.25 (362) | 4, 6 |
| CU M-Rated | | | | | | | | | | |
| 225 — | 1.75 (44.4) | 1 | 10.0 (254) | 8.00 (203) | 4.38 (111) | 1.63 (41) | 3.25 (83) | — | 6.00 (152) | 4, 5 |
| 400 — | 1.75 (44.4) | 1 | 10.0 (254) | 8.00 (203) | 4.38 (111) | 1.63 (41) | 3.25 (83) | — | 6.00 (152) | 4, 5 |
| 600 — | 1.75 (44.4) | 1 | 10.0 (254) | 8.00 (203) | 4.38 (111) | 1.63 (41) | 3.25 (83) | — | 6.00 (152) | 4, 5 |
| 800 400 | 1.75 (44.4) | 1 | 10.0 (254) | 8.00 (203) | 4.38 (111) | 1.63 (41) | 3.25 (83) | — | 6.00 (152) | 4, 5 |
| 1000 — | 2.25 (57.2) | 1 | 10.0 (254) | 8.00 (203) | 4.38 (111) | 1.88 (48) | 3.75 (95) | — | 6.00 (152) | 4, 5 |
| 1200 600 | 2.88 (73.2) | 2 | 10.0 (254) | 8.00 (203) | 4.38 (111) | 0.85 (21) | 1.69 (43) | — | 6.00 (152) | 4, 6 |
| 1350 800 | 3.50 (88.9) | 2 | 10.0 (254) | 8.00 (203) | 4.38 (111) | 1.16 (29) | 2.31 (59) | — | 6.00 (152) | 4, 6 |
| 1600 1000 | 4.50 (114.3) | 2 | 15.50 (395) | 13.50 (343) | 7.13 (181) | 1.66 (42) | 3.31 (84) | — | 8.50 (216) | 4, 6 |
| 2000 1200,1350 | 6.00 (152.4) | 2 | 15.50 (395) | 13.50 (343) | 7.13 (181) | 2.41 (62) | 4.81 (122) | — | 8.50 (216) | 4, 6 |
| — 1600 | 6.50 (165.1) | 2 | 15.50 (395) | 13.50 (343) | 7.13 (181) | 2.66 (67) | 5.31 (135) | — | 8.50 (216) | 4, 6 |
| 2500 2000 | 8.50 (215.9) | 1 | 15.50 (395) | 13.50 (343) | 7.13 (181) | 3.66 (93) | 7.31 (186) | — | 8.50 (216) | 4, 6 |
| 3000 — | 4.75 (120.7) | 3 | 20.0 (508) | 18.00 (457) | 4.50 (114) | 0.68 (17) | 1.37 (36) | 3.56 (90) | 13.25 (337) | 4, 6 |
| 3200 — | 5.50 (139.7) | 3 | 20.0 (508) | 18.00 (457) | 4.50 (114) | 0.68 (17) | 1.37 (36) | 4.32 (110) | 13.25 (337) | 4, 6 |
| 4000 2500,3000,3200 | 6.50 (165.1) | 3 | 20.0 (508) | 18.00 (457) | 4.50 (114) | 0.68 (17) | 1.37 (36) | 5.31 (135) | 13.25 (337) | 4, 6 |
| 5000 4000 | 8.50 (215.9) | 3 | 24.0 (610) | 22.00 (569) | 5.50 (140) | 0.68 (17) | 1.37 (36) | 7.31 (186) | 14.25 (362) | 4, 6 |



Integral and Internal Ground Strap Drilling Detail



Sentron Busway Systems

Panelboards and Meter Center Modules

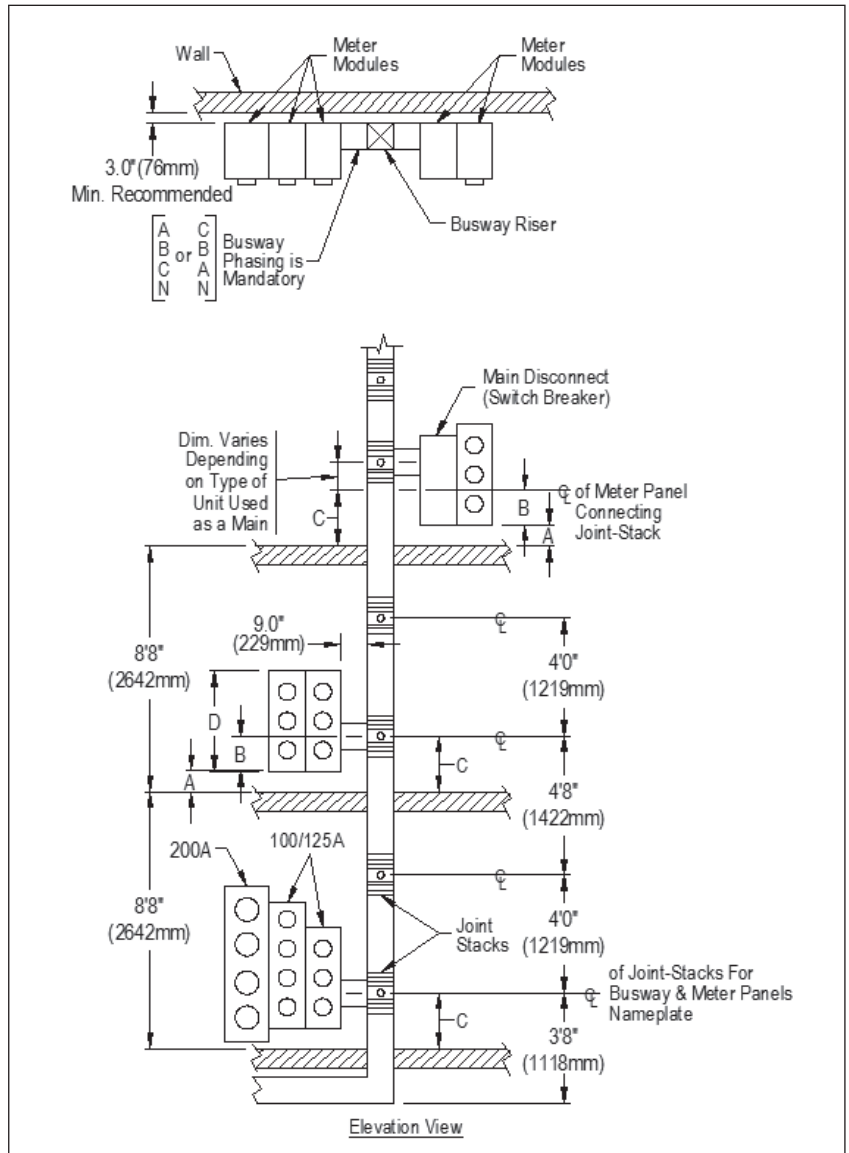
Meter center modules provide a quick and convenient method of connecting to metering devices for both commercial and industrial applications.

Meter center modules connect at the side of a busway run to special joint stacks; these special joints can be added to existing busway to accommodate meter center module connections. When using multiple metering stacks, main disconnects are available if the system reaches the 6 circuit rule (see metering bulletin for further information).

Dimensional Data Required

Dimensions Inches (mm)

- "A"** Distance between floor and bottom of meter center as required by the customer.
- "B"** Dimension from bottom of meter center to centerline of meter center joint connection stack:
100-125A Panel, B = 16.5 (419)
200A Panel, B = 22.0 (559)
- "C"** Equals "A" plus "B", Minimum 16.0 (406)
- "D"** Individual meter center height. Consult Modular Metering application information.



Sentron Busway Systems

Meter Center Cubicles

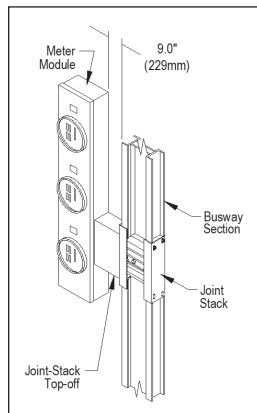
Meter center cubicles provide a quick and convenient method of connecting to metering devices for both commercial and industrial applications and have the main disconnect circuit breaker factory installed.

Having the main disconnect built into the device reduces the required space on the right and left side of the busway. Meter center modules connect at the side of the cubicle frame box using an SBJ4 stack.

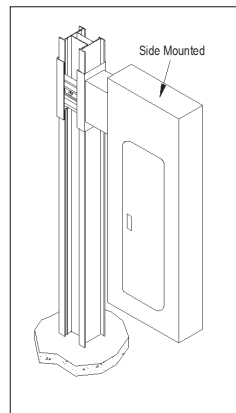
Meter center cubicles are available for 600 – 1200 Amp (L, M and N Frames). They are available with flexible meter center connections, left side, right side or both. (When ordering a meter center cubicle a SBJ4 stack must be ordered separately.)

| Molded Case Circuit Breaker with Meter Tap Stack Provisions Dimensions, Inches (mm) | | | | | | | | | | | |
|-------------------------------------------------------------------------------------|----------------|----------------------------|----------|----------|----------------------------|----------|----------|-----------------------------|----------|----------|------------|
| Ampere Rating | Busway Width W | L Frame Breaker (250-600A) | | | M Frame Breaker (250-600A) | | | N Frame Breaker (800-1200A) | | | |
| | | A | B | C | A | B | C | A | B | C | |
| AL | L-Rated | | | | | | | | | | |
| 225 | — | 3.9 (99) | 32 (813) | 24 (620) | 16 (406) | 37 (940) | 26 (660) | 16 (406) | 37 (940) | 26 (660) | 16 (406) |
| 400 | — | 3.9 (99) | 32 (813) | 24 (620) | 16 (406) | 37 (940) | 26 (660) | 16 (406) | 37 (940) | 26 (660) | 16 (406) |
| 600 | — | 3.9 (99) | 32 (813) | 24 (620) | 16 (406) | 37 (940) | 26 (660) | 16 (406) | 37 (940) | 26 (660) | 16 (406) |
| 800 | 400 | 4.6 (117) | 32 (813) | 24 (610) | 16 (406) | 37 (940) | 26 (660) | 16 (406) | 37 (940) | 26 (660) | 16 (406) |
| 1000 | 600 | 5.4 (137) | 32 (813) | 24 (610) | 16 (406) | 37 (940) | 26 (660) | 16 (406) | 37 (940) | 26 (660) | 16 (406) |
| 1200 | 800 | 6.6 (168) | 32 (813) | 24 (610) | 16 (406) | 37 (940) | 26 (660) | 16 (406) | 37 (940) | 26 (660) | 16 (406) |
| 1350 | 1000 | 7.6 (193) | 32 (813) | 24 (610) | 16 (406) | 37 (940) | 26 (660) | 16 (406) | 37 (940) | 26 (660) | 16 (406) |
| 1600 | 1200 | 8.7 (221) | 32 (813) | 24 (610) | 20 (490) | 37 (940) | 26 (660) | 20 (490) | 37 (940) | 26 (660) | 20 (490) |
| 2000 | 1350,1600 | 10.9 (277) | 32 (813) | 24 (610) | 20 (490) | 37 (940) | 26 (660) | 20 (490) | 37 (940) | 26 (660) | 20 (490) |
| 2500 | 2000 | 13.7 (348) | 32 (813) | 24 (610) | 23.5 (597) | 37 (940) | 26 (660) | 23.5 (597) | 37 (940) | 26 (660) | 23.5 (597) |
| 3000 | 2500 | 15.8 (401) | 32 (813) | 24 (610) | 23.5 (597) | 37 (940) | 26 (660) | 23.5 (597) | 37 (940) | 26 (660) | 23.5 (597) |
| 3200 | 2000 | 17.3 (439) | 32 (813) | 24 (610) | 23.5 (597) | 37 (940) | 26 (660) | 28 (711) | 37 (940) | 26 (660) | 28 (711) |
| 4000 | 3000,3200 | 20.3 (516) | 32 (813) | 24 (610) | 28 (711) | 37 (940) | 26 (660) | 28 (711) | 37 (940) | 26 (660) | 28 (711) |
| 4000 | 3000,3200 | 20.3 (516) | 32 (813) | 24 (610) | 28 (711) | 37 (940) | 26 (660) | 28 (711) | 37 (940) | 26 (660) | 28 (711) |
| CU | M-Rated | | | | | | | | | | |
| 225 | — | 3.9 (99) | 32 (813) | 24 (620) | 16 (406) | 37 (940) | 26 (660) | 16 (406) | 37 (940) | 26 (660) | 16 (406) |
| 400 | — | 3.9 (99) | 32 (813) | 24 (620) | 16 (406) | 37 (940) | 26 (660) | 16 (406) | 37 (940) | 26 (660) | 16 (406) |
| 600 | — | 3.9 (99) | 32 (813) | 24 (620) | 16 (406) | 37 (940) | 26 (660) | 16 (406) | 37 (940) | 26 (660) | 16 (406) |
| 800 | 400 | 3.9 (99) | 32 (813) | 24 (620) | 16 (406) | 37 (940) | 26 (660) | 16 (406) | 37 (940) | 26 (660) | 16 (406) |
| 1000 | — | 4.4 (112) | 32 (813) | 24 (610) | 16 (406) | 37 (940) | 26 (660) | 16 (406) | 37 (940) | 26 (660) | 16 (406) |
| 1200 | 600 | 5.1 (130) | 32 (813) | 24 (610) | 16 (406) | 37 (940) | 26 (660) | 16 (406) | 37 (940) | 26 (660) | 16 (406) |
| 1350 | 800 | 5.7 (145) | 32 (813) | 24 (610) | 16 (406) | 37 (940) | 26 (660) | 16 (406) | 37 (940) | 26 (660) | 16 (406) |
| 1600 | 1000 | 6.7 (170) | 32 (813) | 24 (610) | 16 (406) | 37 (940) | 26 (660) | 16 (406) | 37 (940) | 26 (660) | 16 (406) |
| 2000 | 1200,1350 | 8.2 (208) | 32 (813) | 24 (610) | 20 (490) | 37 (940) | 26 (660) | 20 (490) | 37 (940) | 26 (660) | 20 (490) |
| — | 1600 | 8.7 (221) | 32 (813) | 24 (610) | 20 (490) | 37 (940) | 26 (660) | 20 (490) | 37 (940) | 26 (660) | 20 (490) |
| 2500 | 2000 | 10.7 (272) | 32 (813) | 24 (610) | 20 (490) | 37 (940) | 26 (660) | 20 (490) | 37 (940) | 26 (660) | 20 (490) |
| 3000 | — | 11.8 (300) | 32 (813) | 24 (610) | 20 (490) | 37 (940) | 26 (660) | 20 (490) | 37 (940) | 26 (660) | 20 (490) |
| 3200 | — | 13.3 (335) | 32 (813) | 24 (610) | 20 (490) | 37 (940) | 26 (660) | 23.5 (597) | 37 (940) | 26 (660) | 23.5 (597) |
| 4000 | 2500,3000,3200 | 15.3 (389) | 32 (813) | 24 (610) | 23.5 (597) | 37 (940) | 26 (660) | 23.5 (597) | 37 (940) | 26 (660) | 23.5 (597) |
| 5000 | 4000 | 19.3 (491) | 32 (813) | 24 (610) | 28 (711) | 37 (940) | 26 (660) | 28 (711) | 37 (940) | 26 (660) | 28 (711) |

Meter Center Module

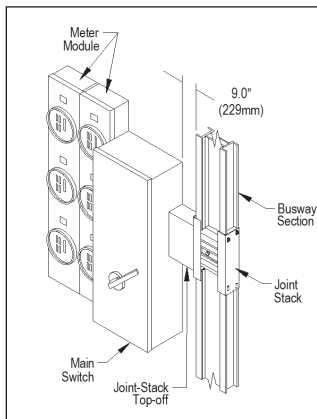


Side Mount Panelboard

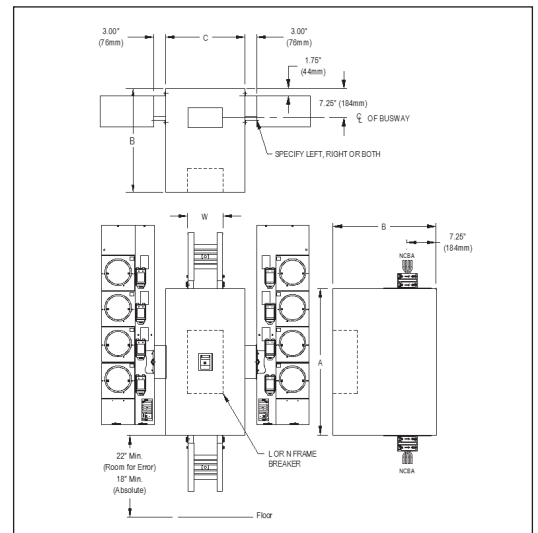


For this panelboard configuration, please contact Spartanburg plant for mounting information.

Main Disconnect Meter Module



Meter Center Cubicle



Sentron Busway Systems

Installation and Application Information

Installation

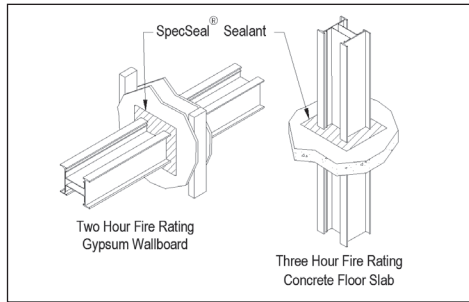
In preparation for installation of your busway systems, it is important to familiarize yourself with the following installation publications:

- General Instructions For Handling, Installation, Operation and Maintenance of Busway Rated 600 volts or less (NEMA Standards Publication BU1)
- Storage, Installation and Maintenance Instructions for Sentron Busway

These publications should be read through thoroughly and used as reference during installation to ensure proper installation procedures. All equipment should be inspected upon delivery. If the busway is not installed immediately, it should be stored in a clean, dry location. Factory supplied record drawings as well as installation tools should be accessible in preparation for installation.

UL 1479 Fire Rated Installations

Sentron Busway has been tested in accordance with UL 1479 and offers a certified two hour fire rating for gypsum wallboard construction and a three hour fire rating for concrete slab or block penetrations. These ratings were achieved using standard busway installed with SpecSeal® sealant from Specified Technologies Inc. The SpecSeal® fire stop system provides superior performance at the industry's lowest installed cost. Sentron is the first busway system to achieve a fire rating for gypsum wallboard construction.



Measuring

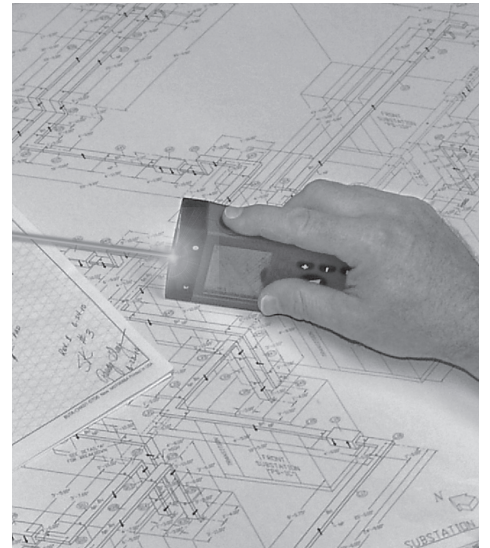
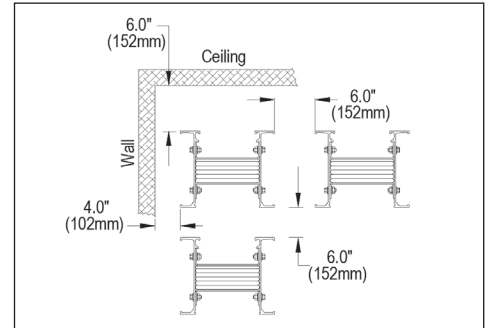
Critical to the success of any busway installation is the layout and the accurate measuring of the busway. First and foremost: Select a route for your busway that will require the fewest fittings and the maximum number of 10' (3.05m) sections.

It is important that the busway system be designed to meet the requirements of the National Electric Code for Busway. There are a number of techniques that may be used to ensure an accurate measurement before purchasing and installing the busway. The following tools will be required during layout and measuring:

- Best route requires fewest fittings and maximum number of 10' straight sections
- Flashlight, 25' tape measure, Orthographic paper, pencil and chalk
- Laser measuring devices project a laser beam which is reflected on an object as a wall, ceiling, floor, or piece of machinery

Minimal Clearances

Minimum clearances for installing feeder busway are shown. Additional clearance may be required for plug-in devices larger than 100A fusible and 250A circuit breaker.



Sentron Busway Systems

Order Entry Checklist

Date Submitted: _____
 Compas Order #: _____
 Purchase Order #: _____
 Project Name: _____
 Sales Support: _____
 Sales Engineer: _____
 Release Hold For Release YES
 Run Designation _____
 Busway Catalog # _____

Service _____ Amps
 Bus Material CU AL "M" Rated "L" Rated
 Neutral None 100% 200%
 Ground Case Internal Isolated
 IP Rating IP 40 Indoor
 IP 55 Splash Proof
 NEMA 3R Outdoor

A) Engineering Information

- Field sketches or factory approval drawings attached?
- Dimensions from walls, column lines, etc.
- Wall, floor and roof thickness and pitch
 - Floor elevations
 - Floor to floor
 - Floor to ceiling
- Wall locations
- Equipment pads Height _____
- Existing Busway to be extended cat # _____
 - Phasing
 - Nameplate information
 - Match to competitor, Contact the plant
- Special SWBD connection, provide details
- Phase Transitions: Provide phasing on drawings
- Riser Bus
 - Load side of bus plug (top or bottom)
 - Required distance from floor to top of panels
- Transformer Connections
 - Standard XFMR Service head
 - Single phase
 - Three single phase
- Special drawing required (Transformer Vendor)
 - Dimensions between phases
 - LV spade detail, including drilling and thickness
 - Dimensions of LV spade from tank wall
 - Throat opening and bolt pattern, if any
- Utility Vault Connection Utility type Ex. FP&L
 - Required drawing attached?

- End Cable Tap Box
 - Horizontal Vertical
 - Standard lugs
 - Special Lugs, specify below, _____
 - Intermediate Hangers Qty.

Note: Intermediate Hangers are for floor to ceiling height greater than 16ft. Consult factory if greater than 32 ft.

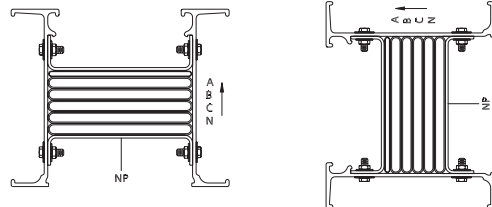
- Expansion Sections Qty.

Note: Expansion section is required for every 200ft of continuous Busway run length and for each building expansion joint. The Busway run must be positioned accordingly to accommodate the Expansion Section

Notes:

1. For OUTDOOR BUSWAY, contact the factory before quoting out door busway runs over 50 ft.
2. Ambient Temperature = -30°C to +40°C
3. Consult Factory if site has any of the following: Coke, Coal or other conductive airborne contaminants. Also, any corrosive conditions.

Busway mounting position in reference to floor



B) Specifications (check or fill appropriate blanks)

- Standard busway meet specifications
- Exceptions to specifications, note comments below
 - Short-circuit bracing 100KAIC Amps symmetrical
 - Voltage drop requirement _____
 - Temperature-rise requirement _____
 - Special paint, provide paint chip _____

Special Comments

Sentron Busway Systems

Quick Reference

Critical Dimensions:

Busway that passes through a wall, ceiling or floor:

- centerline of a joint to the wall, ceiling or floor = 7 in. min.
- centerline of a joint (above a floor support) to a floor = 16 in. min.
- joints cannot be positioned inside a wall, ceiling or floor (joints must be accessible for maintenance)

Feeder Busway clearances:

- from the top of the busway to a ceiling/floor/wall or other busway = 6 in. min.
- from the side of the busway to a ceiling/floor/wall or other busway = 4 in. min

Plug-in Busway clearances:

- plug-In busway clearances depend on the configuration of bus plugs (see bus plug clearance charts in the Sentron Selection and Application Guide)
- otherwise, clearances for feeder busway apply
- note orientation of the operating handle and provide clearance for access & operation

Feeder Busway length:

- minimum length = 14.38 in.
- maximum length = 10 ft.

Plug-In and Riser length:

- available only in 4, 6, 8 and 10 ft. lengths

Flat Elbow section:

- maximum leg length = 4 ft.
- minimum leg length: Varies according to amperage and bus bar material

Edge Elbow section:

- maximum length = 4 ft.
- minimum leg length = 10 in.

Combination and Offset Elbows:

- maximum leg lengths = 4 ft.
- minimum leg lengths: varies according to amperage and bus bar material (See Sentron Selection and Application Guide)

Elbow - Stub Combinations:

- maximum leg length = 4 ft.
- minimum leg length = 2.50 in. + (case size x .5)

Critical Details:

- busway DRAWINGS must include all relevant dimensions
- CENTERLINE dimensions are expected (please note any dimensions that are not center line dimensions)
- WALLS and FLOORS must be located (wall & floor thickness must be included)
- locate the **FRONT of all switchboards** and provide the phasing of any existing boards (advise if any PADs are located under boards)
- when using RISER plug-in busway please note the desired direction of the load side of bus plugs (G,A,B,C,N from left to right will position the load side to the bottom and "UP is On" handle operation)
- TRANSFORMER THROAT connections require complete details.
- Horizontal plug-in busway must be oriented with the A phase on top (bolt head on top).
- In-Line Disconnect CUBICLES are engineered to order. The **FRONT** of the cubicle and **Breaker** information must be specified.
- Panels - panel type and size / if a certain panel or breaker height is required (those dimensions)
- Curb height

Intermediate Hangers

- Add qty (1) Intermediate Hanger for floor to ceiling height greater than 16ft. Consult factory if greater than 32 ft.

Expansion Sections:

- Qty (1) Expansion Section should be used for every 200ft of continuous Busway run length and for each building expansion joint. The Busway run must be positioned accordingly to accommodate the Expansion Section(s).

Outdoor Busway:

- route busway to minimize outdoor busway run length
- call factory before quoting outdoor busway runs over 50 ft.
- avoid installing busway near exhaust pipes that may generate steam or caustic vapors

Sentron Busway Systems

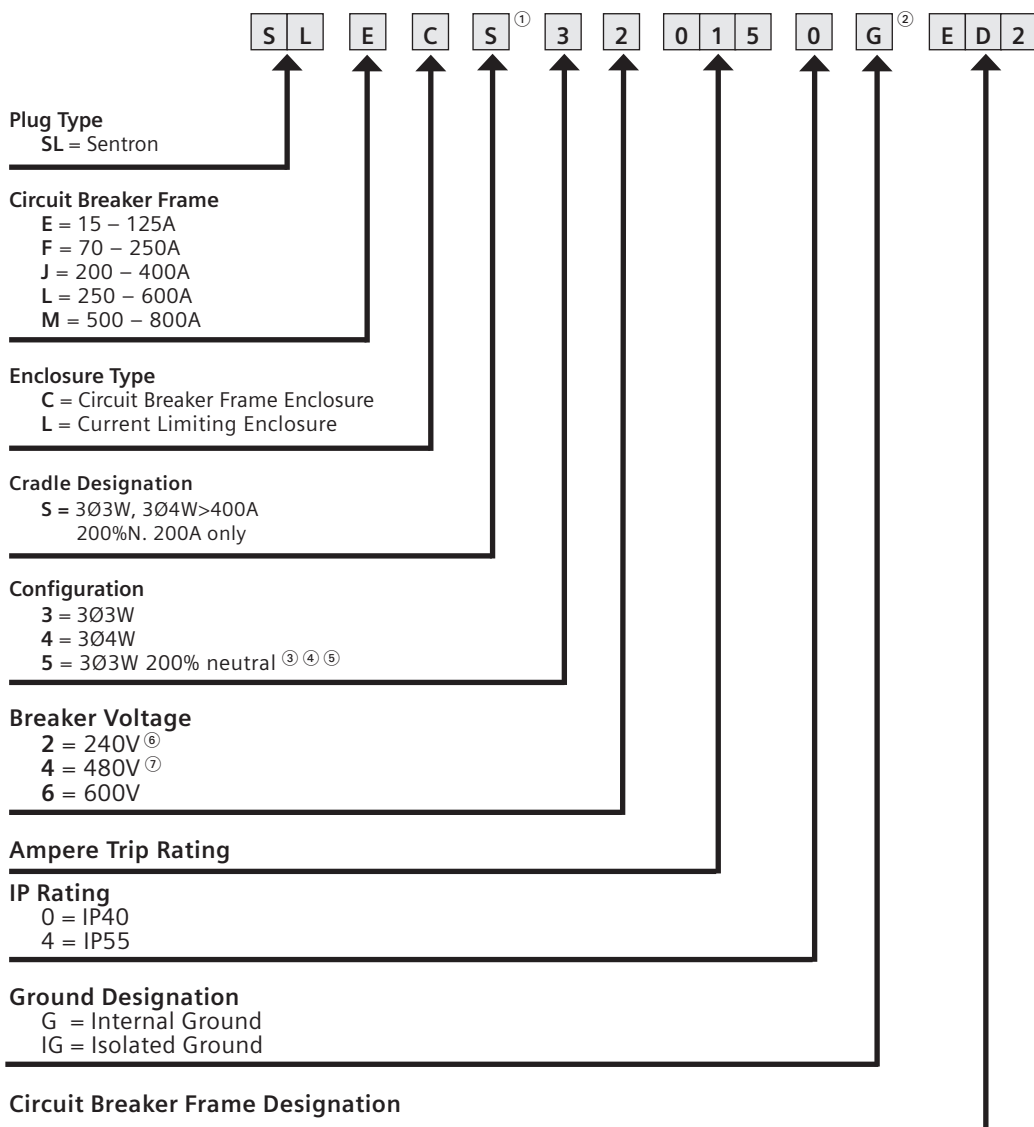
Bus Plug Table of Contents

| | |
|--------------------------------------------------------|----------------|
| Bus Plug Catalog Numbering System | <u>38</u> |
| Circuit Breaker Bus Plugs Ratings | <u>39</u> |
| Circuit Breaker Bus Plugs Dimensions and Weights | <u>40</u> |
| Wall Clearance and Circuit Breaker Bus Plug Dimensions | <u>41</u> |
| Bus Plug Catalog Numbering System | <u>42</u> |
| Fusible Bus Plugs | <u>43</u> |
| Fusible Bus Plugs Dimensions and Weights | <u>44 – 45</u> |
| Fusible SPD Bus Plugs | <u>46 – 48</u> |
| Wall Clearance and Fusible Bus Plugs Dimensions | <u>49</u> |
| General Information | <u>50 – 51</u> |

Sentron Busway Systems

Bus Plug Catalog Numbering System

Sentron Bus Plugs – Circuit Breaker (Installed)



① The S digit is only used on 3- and 4-wire (100%N) plugs that are greater than 400A. Lower amperage plugs do not require this digit. (Ex. SLEEC32060ED2).

② The G and IG digits are used to specify internal and isolated ground respectively. Integral (housing) ground plugs do not require this digit.

③ Available through 400A only.

④ Available with E, F and J Frame breakers only.

⑤ 400A and larger plugs cover (2) Outlet Enclosures.

⑥ Available with ED2 breakers only.

⑦ Available with ED4 and HED4 breakers only.

Sentron Busway Systems

Circuit Breaker Bus Plugs Ratings

Standard Circuit Breakers, Bus Plug Ratings ^①

| Plug-In Units Series | Circuit Breaker Max. Rating | Frame Size | Max. Short Circuit Current Rating |
|----------------------|-----------------------------|------------|------------------------------------------------------------------------|
| SLEC | 125A, 600V | E Frame | 100KA, 240V, 3 ph 42KA, 480V, 3 ph ^② 25KA, 600V, 3 ph |
| SLFC | 250A, 600V | F Frame | 100KA, 240V, 3 ph 65KA, 480V, 3 ph 25KA, 600V, 3 ph |
| SLJC | 400A, 600V | J Frame | 100KA, 240V, 3 ph 65KA, 480V, 3 ph 5KA, 600V, 3 ph |
| SLLCS | 600A, 600V | L Frame | 100KA, 240V, 3 ph 65KA, 480V, 3 ph 35KA, 600V, 3 ph |
| SLMCS | 800A, 600V | M Frame | 100KA, 240V, 3 ph 65KA, 480V, 3 ph 50KA, 600V, 3 ph |

Current Limiting Circuit Breakers, Bus Plug Ratings ^①

| Plug-In Units Series | Circuit Breaker Max. Rating | Frame Size | Max. Short Circuit Current Rating |
|----------------------|-----------------------------|------------|-------------------------------------------------------------|
| SLEL | 125A, 600V | CED Frame | 200KA, 240V, 3 ph 200KA, 480V, 3 ph 100KA, 600V, 3 ph |
| SLFL | 250A, 600V | CFD Frame | 200KA, 240V, 3 ph 200KA, 480V, 3 ph 100KA, 600V, 3 ph |
| SLJL | 400A, 600V | CJD Frame | 200KA, 240V, 3 ph 150KA, 480V, 3 ph 100KA, 600V, 3 ph |
| SLLLS | 600A, 600V | CLD Frame | 200KA, 240V, 3 ph 150KA, 480V, 3 ph 100KA, 600V, 3 ph |
| SLMLS | 800A, 600V | CMD Frame | 200KA, 240V, 3 ph 100KA, 480V, 3 ph 65KA, 600V, 3 ph |

^① Available Ingress Protection = IP40, IPSS.

^② 65KA up to 30A using HHED6.

Sentron Circuit Breaker Bus Plugs feature an easy to read “position indicator” label, designed to be visible from the shop floor, that clearly marks whether the bus plug is in the “Off,” “On,” or “Tripped” position. Circuit breaker bus plugs are available in frame sizes from 125 amps to 800 amps with interrupting ratings of standard, high or current limiting.

Circuit breaker bus plugs will be shipped complete with factory installed circuit breakers. The following Siemens molded case circuit breaker frames may be ordered with Sentron Circuit Breaker Bus Plugs: ED2, ED4, ED6, HED4, HHED6, CED6, FXD6, FD6, HFD6, CFD6 JXD6, JD6, HJD6, CJD6, LXD6, HLD6, CLD6, MXD6, HMD6, CMD6.

Refer to the diagram on page 34 for easy ordering instructions.

Sentron circuit breaker bus plugs can be custom configured to meet application specific requirements.

The following custom devices are available in custom configurations:

- 100% rated IEC circuit breakers.
- Ground fault pick-up.
- Shunt Trip
- Audible Alarms

Consult your local Siemens sales office for details on custom pricing and ordering.

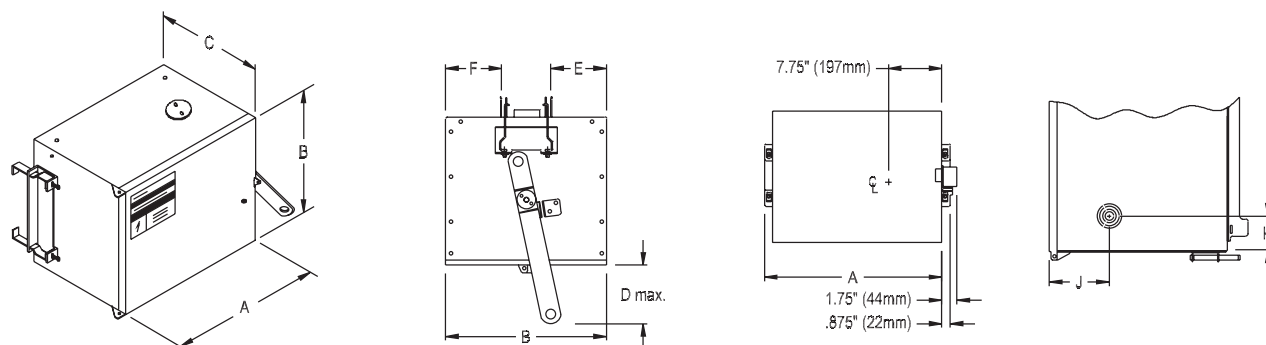
Sentron Busway Systems

Circuit Breaker Bus Plugs Dimensions and Weights

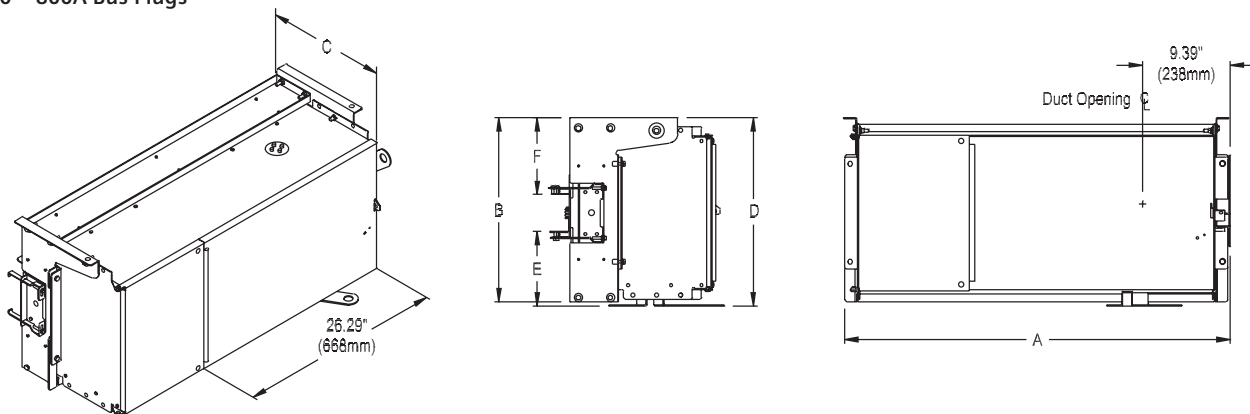
Circuit Breaker Bus Plugs, Dimensions and Weights (Enclosure only)

| Ampere Rating | Dimensions Inches (mm) | | | | | | | | Weight lbs (kg) |
|---------------|------------------------|-------------|-------------|-----------|------------|------------|------------|-----------|-----------------|
| | "A" | "B" | "C" | "D" max. | "E" | "F" | "J" | "K" | |
| 125 | 15.13 (384) | 10.18 (259) | 9.75 (248) | 1.60 (41) | 2.50 (64) | 2.50 (64) | 3.50 (89) | 2.25 (57) | 35 (15.87) |
| 250 | 20.25 (514) | 10.18 (259) | 9.75 (248) | 1.60 (41) | 2.50 (64) | 2.50 (64) | 3.25 (83) | 3.25 (83) | 50 (22.68) |
| 400 | 21.75 (552) | 16.75 (425) | 11.75 (298) | 1.60 (41) | 5.75 (146) | 5.75 (146) | 4.00 (102) | 3.25 (83) | 83 (37.64) |
| 600 | 41.50 (1054) | 19.75 (502) | 15.75 (400) | 2.31 (59) | 7.00 (178) | 7.75 (197) | — | — | 130 (58.97) |
| 800 | 41.50 (1054) | 19.75 (502) | 15.75 (400) | 2.31 (59) | 7.00 (178) | 7.75 (197) | — | — | 177 (80.29) |

125 – 400A Bus Plugs



600 – 800A Bus Plugs



Circuit Breaker Bus Plugs, Load Lugs and Knockouts

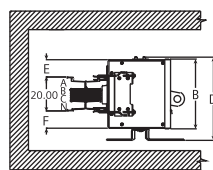
| Frame Size | Ground Lug Cu/Al | Neutral Lug Cu/Al | Phase Lug Cu/Al | Knockout Sizes In. (mm) |
|------------|------------------|-------------------|-------------------|-------------------------|
| E Frame | #14-2 | #14-2 | #14-1/0 | 7/8 (22) |
| F Frame | #14-2 | #6-350 kcmil | #6-350 kcmil | 7/8 (22) |
| J Frame | #14-2 | (2) #4-500 kcmil | (2) 3/0-500 kcmil | 7/8 (22) |

Sentron Busway Systems

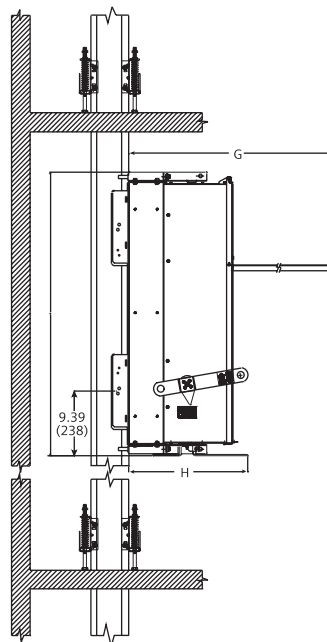
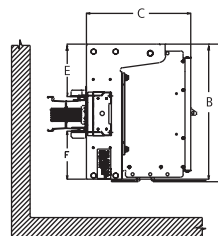
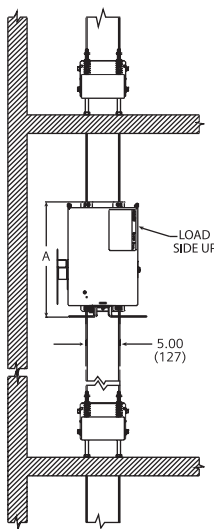
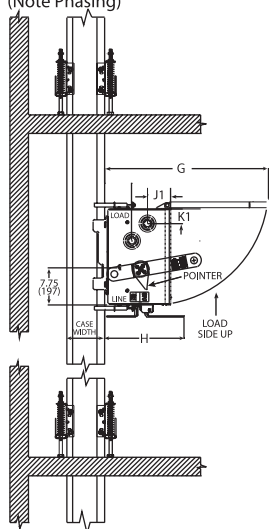
Wall Clearance and Circuit Breaker Bus Plug Dimensions

600A and 800A Cradle Mounted

30A – 400A



Plan View
Plug w/Load Side Up
(Note Phasing)



| Dim. Legend | Circuit Breaker Plugs No Cradle | | | | | | Circuit Breaker Plugs w/Cradle | | | |
|----------------|---------------------------------|-------------|--------------------|-------------|---------------------------------|--------------|--------------------------------|--------------|--------------------|--------------|
| | E Frame Current | | F Frame Current | | J Frame ^① Current | | L Frame Current | | M Frame Current | |
| | Standard | Limiting | Standard | Limiting | Standard | Limiting | Standard | Limiting | Standard | Limiting |
| A | 17.00 (432) | 22.00 (559) | 22.00 (559) | 27.00 (686) | 23.50 (597) | 30.50 (775) | 41.50 (1054) | 41.50 (1054) | 41.50 (1054) | 41.50 (1054) |
| B | 10.25 (260) | 10.25 (260) | 10.25 (260) | 10.25 (260) | 16.75 (425) | 16.75 (425) | 19.75 (502) | 19.75 (502) | 19.75 (502) | 19.75 (502) |
| C | 9.75 (248) | 9.75 (248) | 9.75 (248) | 9.75 (248) | 11.75 (298) | 11.75 (298) | 15.75 (400) | 15.75 (400) | 15.75 (400) | 15.75 (400) |
| D | 12.25 (311) | 12.25 (311) | 12.25 (311) | 12.25 (311) | 18.75 (476) | 18.75 (476) | 20.25 (514) | 20.25 (514) | 20.25 (514) | 20.25 (514) |
| E | 2.50 (64) | 2.50 (64) | 2.50 (64) | 2.50 (64) | 5.75 (146) | 5.75 (146) | 7.75 (197) ¹ | 7.75 (197) | 7.75 (197) | 7.75 (197) |
| F | 2.50 (64) | 2.50 (64) | 2.50 (64) | 2.50 (64) | 5.75 (146) | 5.75 (146) | 7.00 (178) | 7.00 (178) | 7.00 (178) | 7.00 (178) |
| G | 24.00 (610) | 29.00 (737) | 34.00 (864) | 29.00 (737) | 32.50 (826) | 39.50 (1003) | 41.50 (1054) | 41.50 (1054) | 41.50 (1054) | 41.50 (1054) |
| H | 11.25 (286) | 11.25 (286) | 11.25 (286) | 11.25 (286) | 13.50 (343) | 13.50 (343) | 18.00 (457) | 18.00 (457) | 18.00 (457) | 18.00 (457) |
| J1 | 3.50 (89) | 3.50 (89) | 3.25 (83) | 3.25 (83) | 4.00 (102) | 4.00 (102) | — | — | — | — |
| K1 | 2.25 (57) | 2.25(57) | 3.25 (83) | 3.25 (83) | 3.25 (83) | 3.25 (83) | — | — | — | — |

Legend:

- A = Length of enclosure including handle
- B = Height of enclosure
- C = Depth of enclosure
- D = Height of enclosure including optional handle location
- E = Extension of plug above top of busway
- F = Extension of plug below bottom of busway
- G = Cover (depth) clearance for enclosure
- H = Depth of enclosure from handle to edge of busway
- J = Knockout/ pilot hole location (horizontal)
- K = Knockout/ pilot hole location (vertical)

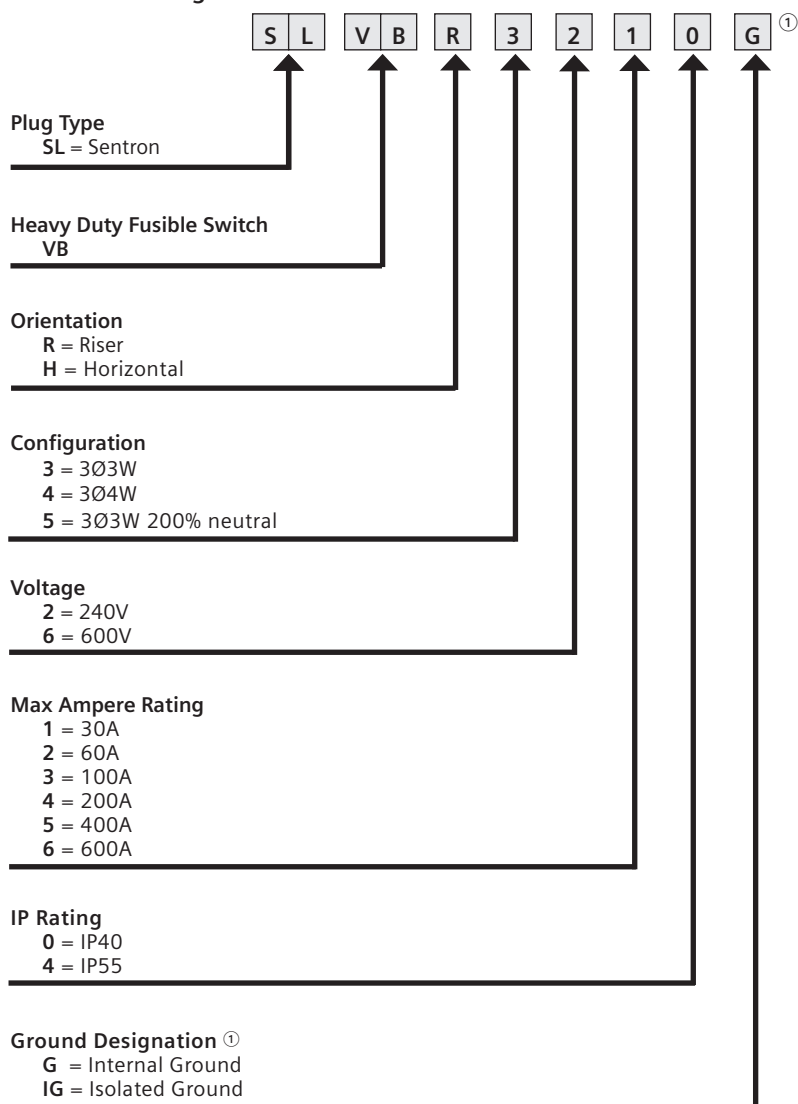
200%N Applications

- for J-Frame use L-Frame Dims.
- for 400A Fusible switch use 600A Switch Dims.

Sentron Busway Systems

Bus Plug Catalog Numbering System

Sentron Bus Plugs – Fusible



① The G and IG digits are used to specify internal and isolated ground respectively. Integral (housing) ground plugs do not require this digit.
Note: Ground Detector and Potentializer Bus Plugs for 2 or 3 pole 240V and 480V service. (IP40 construction only)

Sentron Busway Systems

Fusible Bus Plugs

The Sentron SLVB Bus Plug meets all UL and CSA standards to assure reliable performance in all environments. The installer and end user will appreciate new features like Highly Visible Position Indicator, Dual Stab Busway Interlocks, Dual Cover Interlocks, and Bolt-on Mounting.

Sentron SLVB Fusible Bus Plugs are available in 30, 60, 100, 200, 400 and 600 amp ratings (compatible with H, R, T, K and J fuses).



Standard Fusible, Bus Plug Ratings

| Plug-In Units Series | Max. Rating Fused Switch | Fuse Class | Fuse Kits | | Max. Short Circuit Current Rating |
|----------------------|--------------------------|---------------|-------------|-------------|-----------------------------------|
| | | | R Fuse Kits | T Fuse Kits | |
| SLVB_21 | 30A, 240V | H, K, R | HR21 | — | 200kA, 240V, 3ph |
| SLVB_61 | 30A, 600V | H, K, R, J | HR612 | — | 200kA, 600V, 3ph |
| SLVB_22 | 60A, 240V | H, K, R | HR612 | — | 200kA, 240V, 3ph |
| SLVB_62 | 60A, 600V | H, K, R, J | HR62 | — | 200kA, 600V, 3ph |
| SLVB_23 | 100A, 240V | H, K, R, J, T | HR63 | — | 200kA, 240V, 3ph |
| SLVB_63 | 100A, 600V | H, K, R, J, T | HR63 | HT63 | 200kA, 600V, 3ph |
| SLVB_24 | 200A, 240V | H, K, R, J, T | HR64 | HT24 | 200kA, 240V, 3ph |
| SLVB_64 | 200A, 600V | H, K, R, J, T | HR64 | HT64 | 200kA, 600V, 3ph |
| SLVB_25 | 400A, 240V | H, K, R, J, T | HR656 | — | 200kA, 240V, 3ph |
| SLVB_65 | 400A, 600V | H, K, R, J, T | HR656 | — | 200kA, 600V, 3ph |
| SLVB_26 | 600A, 240V | H, K, R, J, T | HR656 | — | 200kA, 240V, 3ph |
| SLVB_66 | 600A, 600V | H, K, R, J, T | HR656 | — | 200kA, 600V, 3ph |

Standard Fusible, Bus Plug Horsepower Ratings

| Plug-In Units Series | Fused Switch Max. Rating | 240V, 1 ph | | 240V, 3 ph | | 480V, 3 ph | | 600V, 3 ph | |
|----------------------|--------------------------|------------|------|------------|-------|------------|-------|------------|-------|
| | | Std. | Max. | Std. | Max. | Std. | Max. | Std. | Max. |
| SLVB_21 | 30A, 240V | 1.5 | 3.0 | 3.0 | 7.5 | — | — | — | — |
| SLVB_61 | 30A, 600V | — | — | — | — | 5.0 | 15.0 | 7.5 | 20.0 |
| SLVB_22 | 60A, 240V | 3.0 | 10.0 | 7.5 | 15.0 | — | — | — | — |
| SLVB_62 | 60A, 600V | — | — | — | — | 15.0 | 30.0 | 15.0 | 50.0 |
| SLVB_23 | 100A, 240V | 7.5 | 15.0 | 15.0 | 30.0 | — | — | — | — |
| SLVB_63 | 100A, 600V | — | — | — | — | 25.0 | 60.0 | 30.0 | 75.0 |
| SLVB_24 | 200A, 240V | 15.0 | — | 25.0 | 60.0 | — | — | — | — |
| SLVB_64 | 200A, 600V | — | — | — | — | 50.0 | 125.0 | 60.0 | 150.0 |
| SLVB_25 | 400A, 240V | 15.0 | — | 50.0 | 125.0 | — | — | — | — |
| SLVB_65 | 400A, 600V | — | — | — | — | 100.0 | 250.0 | 125.0 | 350.0 |
| SLVB_26 | 600A, 240V | 15.0 | — | 75.0 | 200.0 | — | — | — | — |
| SLVB_66 | 600A, 600V | — | — | — | — | 150.0 | 400.0 | 200.0 | 500.0 |

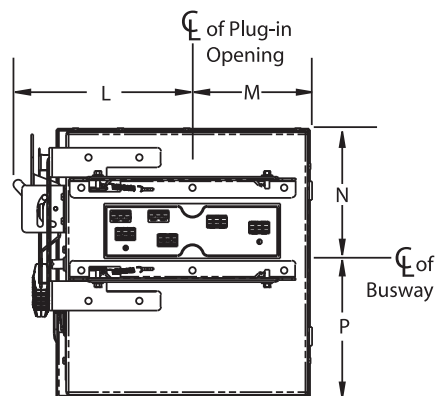
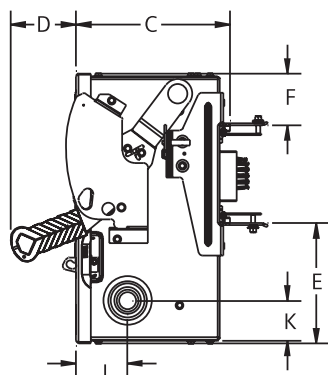
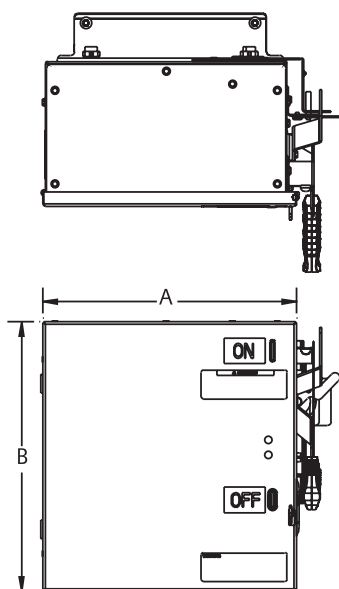
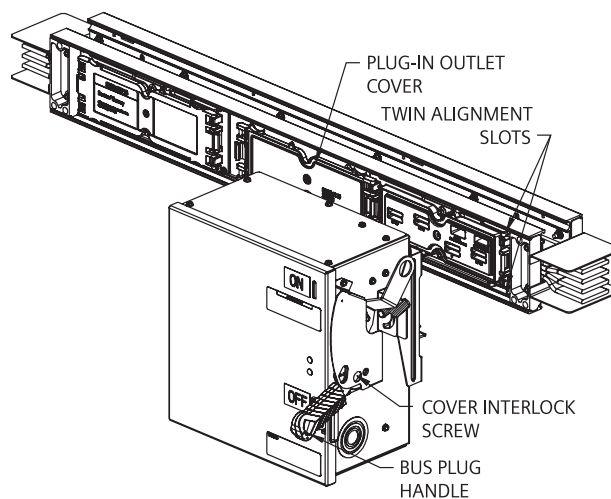


Sentron Busway Systems

Fusible Bus Plugs Dimensions and Weights

Horizontal Fusible Bus Plug Dimensions and Weights (Enclosure Only)

| Ampere Rating | Dimensions Inches (mm) | | | | | | | | | | | | Weight lbs (kg) |
|---------------|------------------------|-------------|-------------|------------|-------------|------------|-------------|-----------|-------------|------------|-------------|-------------|-----------------|
| | "A" | "B" | "C" | "D max." | "E" | "F" | "J" | "K" | "L" | "M" | "N" | "P" | |
| 30 | 13.13 (333) | 13.86 (352) | 7.96 (202) | 2.60 (66) | 6.18 (156) | 2.66 (67) | 2.65 (67) | 2.06 (52) | 9.81 (249) | 6.22 (157) | 5.30 (134) | 8.63 (219) | 23.5 (10.66) |
| 60 | 13.13 (333) | 14.86 (377) | 7.96 (202) | 2.60 (66) | 7.18 (182) | 2.66 (67) | 2.65 (67) | 2.06 (52) | 9.81 (249) | 6.22 (157) | 5.30 (134) | 9.63 (244) | 25.5 (11.56) |
| 100 | 13.13 (333) | 15.86 (402) | 7.96 (202) | 2.60 (66) | 8.18 (207) | 2.66 (67) | 2.65 (67) | 2.06 (52) | 9.81 (249) | 6.22 (157) | 5.30 (134) | 10.53 (267) | 28.0 (12.70) |
| 200 | 14.88 (377) | 22.86 (580) | 10.58 (268) | 2.60 (66) | 15.88 (403) | 2.66 (67) | 3.40 (86) | 3.06 (78) | 9.81 (249) | 7.95 (201) | 5.30 (134) | 17.62 (447) | 49.0 (22.22) |
| 400 | 18.63 (473) | 25.36 (644) | 15.67 (398) | 5.50 (140) | 12.67 (322) | 7.67 (195) | 12.15 (309) | 3.06 (78) | 11.80 (299) | 9.43 (239) | 11.90 (302) | 15.15 (384) | 100.0 (254) |
| 600 | 18.63 (473) | 25.36 (644) | 15.67 (398) | 5.50 (140) | 12.67 (322) | 7.67 (195) | 12.15 (309) | 3.06 (78) | 11.80 (299) | 9.43 (239) | 11.90 (302) | 15.15 (384) | 100.0 (254) |

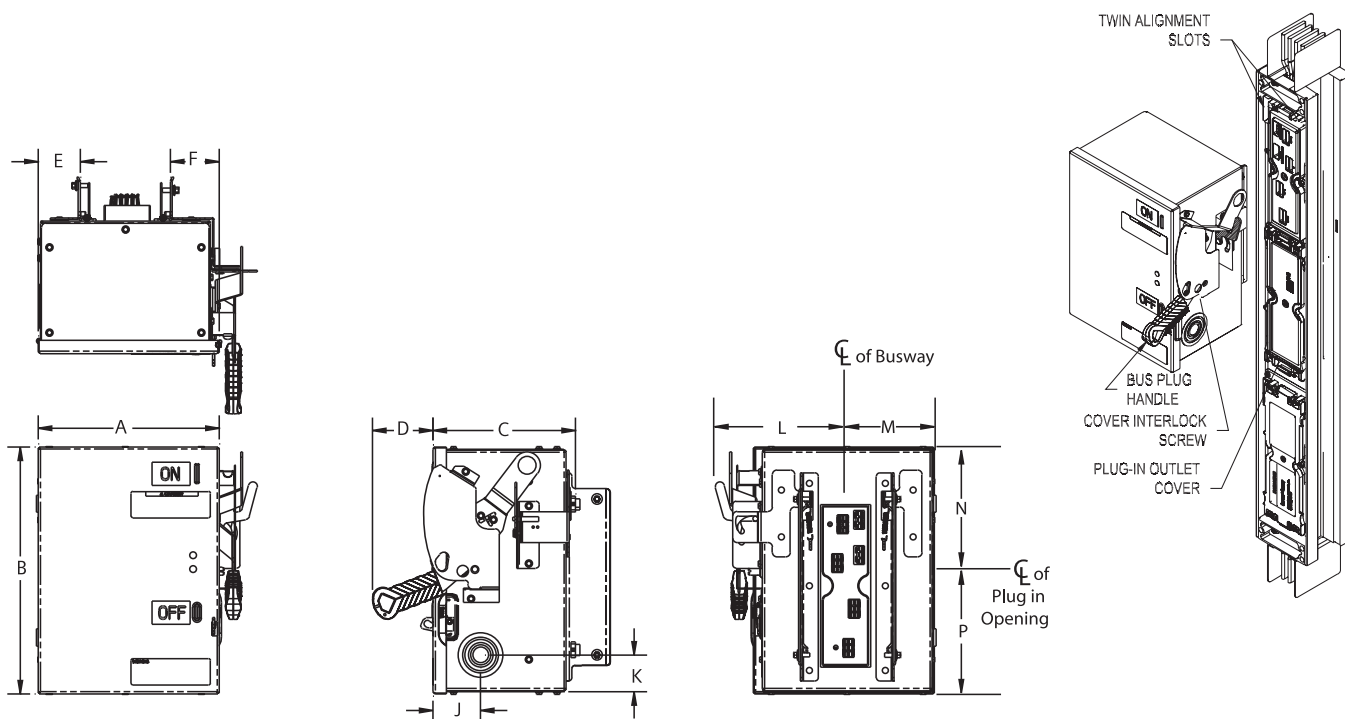


Sentron Busway Systems

Fusible Bus Plugs Dimensions and Weights

Riser Fusible Bus Plug Dimensions and Weights (Enclosure Only)

| Ampere Rating | Dimensions Inches (mm) | | | | | | | | | | | | Weight lbs (kg) |
|---------------|------------------------|-------------|-------------|------------|------------|------------|-------------|-----------|-------------|------------|-------------|-------------|-----------------|
| | "A" | "B" | "C" | "D max." | "E" | "F" | "J" | "K" | "L" | "M" | "N" | "P" | |
| 30 | 10.13 (257) | 13.86 (352) | 7.96 (202) | 5.25 (133) | 2.74 (69) | 2.36 (59) | 2.65 (67) | 2.06 (52) | 8.06 (204) | 5.08 (129) | 7.83 (198) | 6.09 (154) | 23.5 (10.66) |
| 60 | 10.13 (257) | 14.86 (377) | 7.96 (202) | 5.25 (133) | 2.74 (69) | 2.36 (59) | 2.65 (67) | 2.06 (52) | 8.06 (204) | 2.08 (52) | 7.83 (198) | 7.09 (180) | 25.5 (11.56) |
| 100 | 11.13 (282) | 15.86 (402) | 7.96 (202) | 5.25 (133) | 3.48 (196) | 3.36 (85) | 2.65 (67) | 2.06 (52) | 8.06 (204) | 6.08 (154) | 7.83 (198) | 8.09 (205) | 28.0 (12.70) |
| 200 | 14.88 (377) | 22.86 (580) | 10.58 (268) | 5.90 (149) | 5.11 (129) | 4.74 (120) | 3.40 (86) | 3.06 (78) | 10.42 (264) | 7.35 (186) | 9.08 (230) | 13.84 (351) | 49.0 (22.22) |
| 400 | 18.63 (473) | 25.36 (644) | 15.67 (398) | 5.50 (140) | 6.60 (167) | 7.10 (180) | 12.15 (309) | 3.06 (78) | 11.97 (304) | 9.25 (234) | 13.56 (344) | 13.49 (342) | 100.0 (2540) |
| 600 | 18.63 (473) | 25.36 (644) | 15.67 (398) | 5.50 (140) | 6.60 (167) | 7.10 (180) | 12.15 (309) | 3.06 (78) | 11.97 (304) | 9.25 (234) | 13.56 (344) | 13.49 (342) | 100.0 (2540) |



Fusible Switch Plug, Load Lugs, and Knockouts

| Ampere Rating | Ground Lug Cu/Al | Neutral Lug Cu/Al | Phase Lug Cu/Al | Knockout Sizes Inches (mm) |
|---------------|------------------|----------------------------------|----------------------------------|----------------------------|
| 30 | #14-1/0 | #14-2 | #14-2 | 7/8 (22) |
| 60 | #14-1/0 | #14-1/0 | #14-2 | 7/8 (22) |
| 100 | #14-1/0 | #14-1/0 | #14-1/0 | 7/8 (22) |
| 200 | #14-1/0 | #6-300MCM | #6-300MCM | 7/8 (22) |
| 400 | #6-350MCM | (2) 1/0-250MCM or (1) 1/0-750MCM | (2) 1/0-250MCM or (1) 1/0-750MCM | 7/8 (22) |
| 600 | #6-350MCM | (4) 1/0-250MCM or (2) 1/0-750MCM | (4) 1/0-250MCM or (2) 1/0-750MCM | 7/8 (22) |

Sentron Busway Systems

Fusible SPD Bus Plugs

The Siemens advantage...

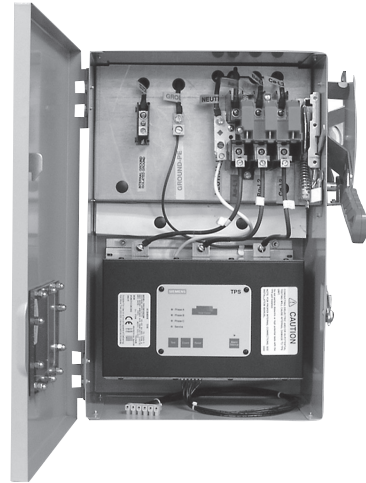
Siemens history of innovation and safety continues with our line of UL 1449 3rd Edition SPDs. The TPS Series utilizes thermally protected MOVs specifically designed for safe operation in high fault current or sustained overvoltage conditions that can cause other SPDs to fail in an unsafe manner and damage other equipment in the distribution system. Every MOV, including N-G, is monitored. Indicator lights for each phase provide indication of loss of protection and phase loss protection. The direct bus, integral design reduces circuit impedance resulting in the lowest possible let-through voltages providing maximum protection to facility equipment and systems.

All TPS Series SPDs:

- UL 1449 3rd Edition Listed, CUL, CE Mark
- Designed, tested, manufactured to ANSI/IEEE C62.42.1 – 2002, C62.41.2 – 2002, C62.45 – 2002
- Provide indication of loss of protection on each phase and phase loss
- Include all UL-required over current protection and safety coordination inside
- Prevent internally generated surges from propagating throughout a facility and externally generated surges from reaching sensitive loads

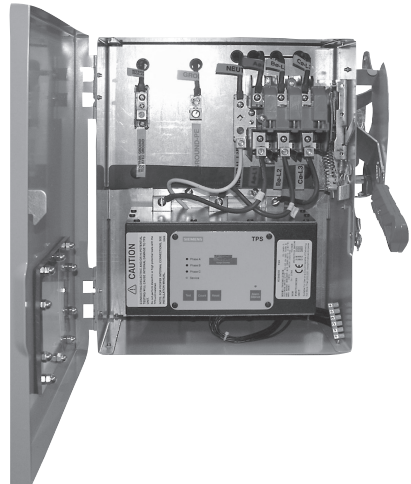
High Exposure Applications – TPS6

- 400kA – 500kA per phase
- 200kA SCCR
- 20kA nominal discharge current
- Indicator lights, audible alarm and dry contacts standard
- Individually fused, thermally protected MOVs
- EMI/RFI filtering
- Surge counter optional



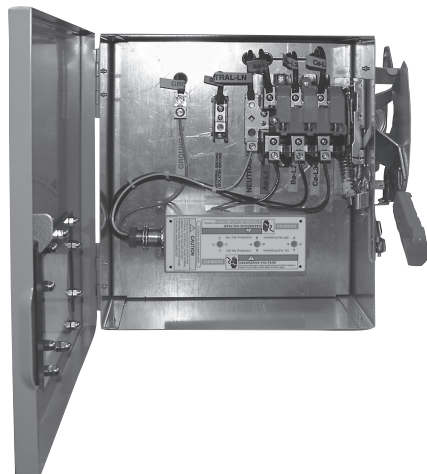
Medium Exposure Applications – TPS1

- 100kA – 300kA per phase
- 200kA SCCR
- 20kA nominal discharge current
- Indicator lights, audible alarm and dry contacts standard
- Individually fused, thermally protected MOVs
- EMI/RFI filtering
- Surge counter optional



Low Exposure Applications – TPS9

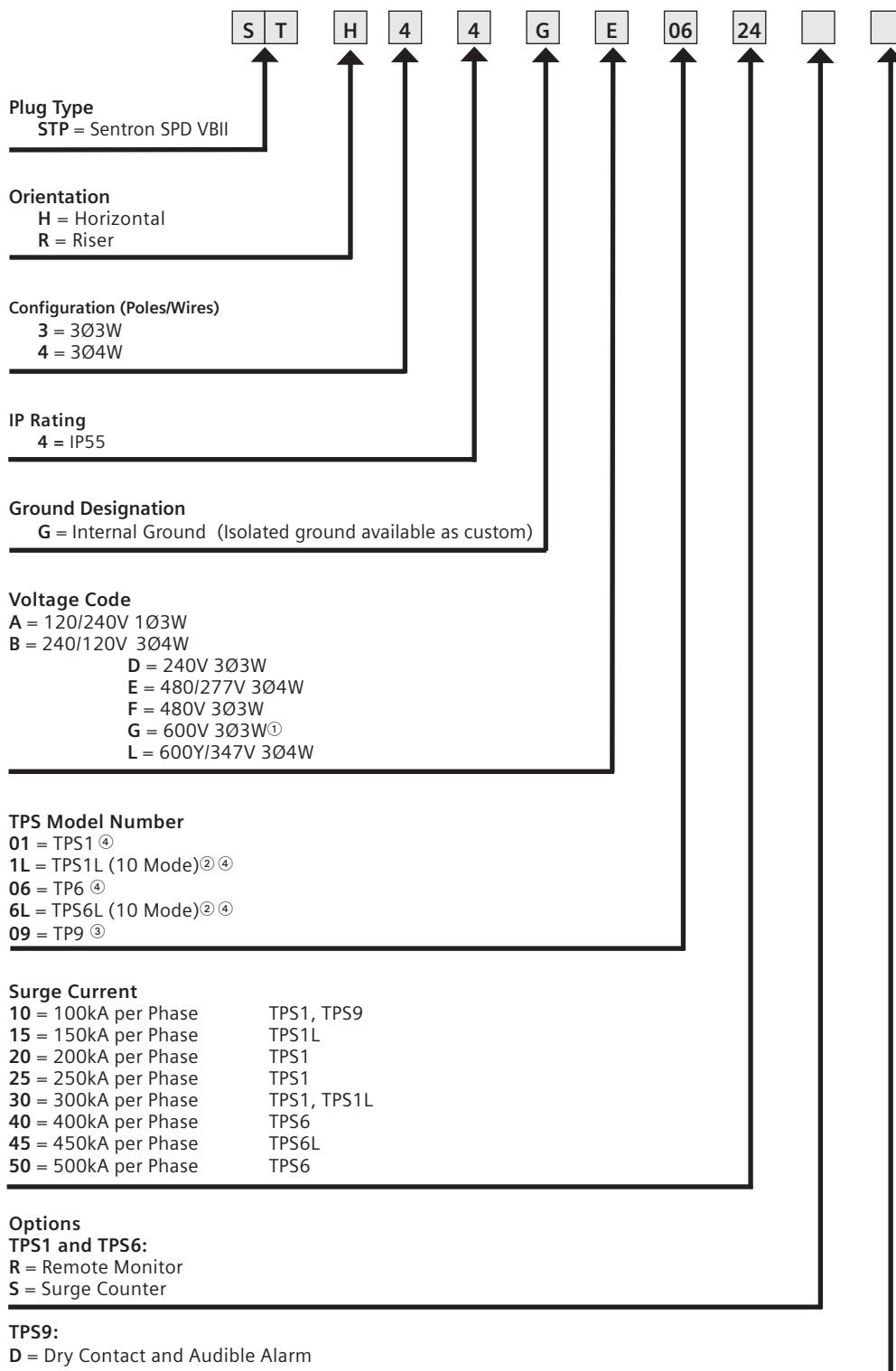
- 100kA per phase
- 200kA SCCR
- 20kA nominal discharge current
- Indicator lights standard
- Individually fused, thermally protected MOVs
- Dry contacts and audible alarm optional



Sentron Busway Systems

Fusible SPD Bus Plugs

Sentron SPD Bus Plugs — Numbering System



^① Available in 100kA and 150kA for TPS1 and 100kA, 150kA, 200kA and 250kA for TPS6.

^② The 10 mode devices provide additional circuit protection for Line to Neutral and Neutral to Ground.
The 10 modes of protection are: L1-G, L2-G, L3-G, L1-L2, L2-L3, L1-L3, L1-N, L2-N, L3-N, N-G.

^③ Standard features: indicator lights.

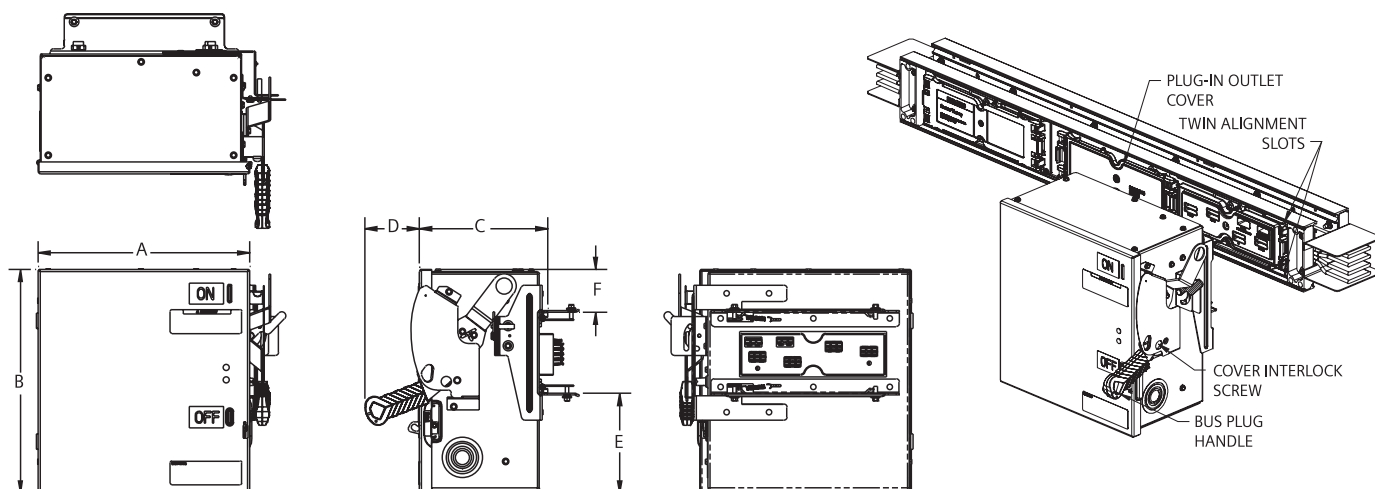
^④ Standard features: indicator lights, dry contacts, audible alarm with silence switch, test button.

Sentron Busway Systems

Fusible SPD Bus Plugs

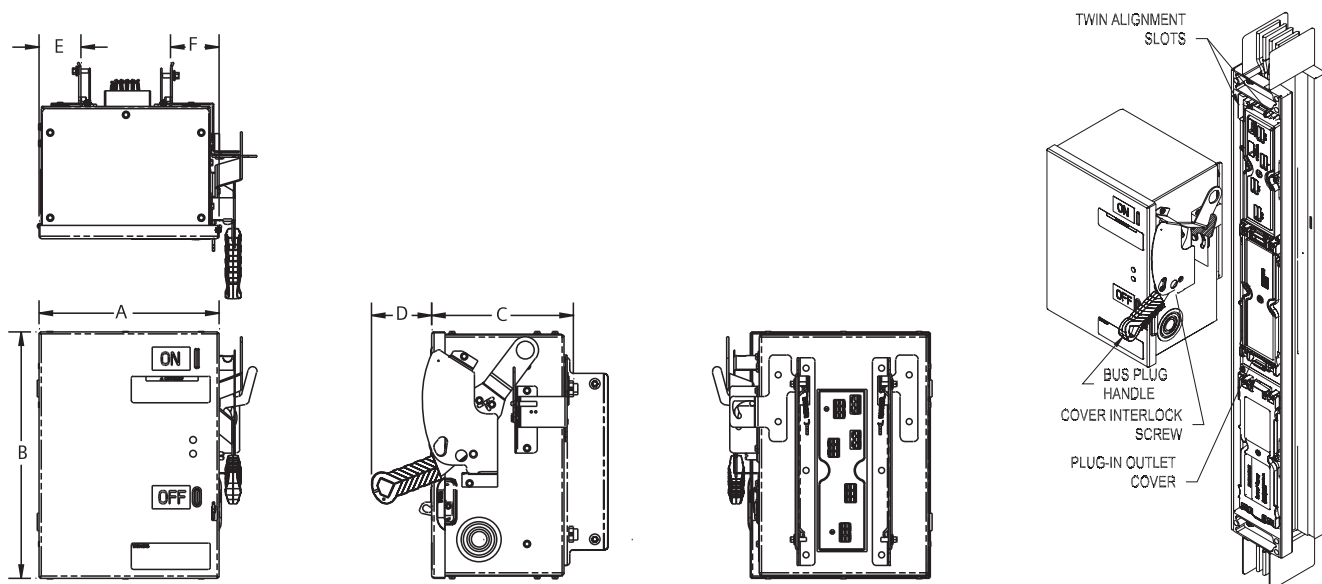
Horizontal SPD Bus Plugs dimensions and weights

| Plug type | Dimensions inches (mm) | | | | | | Weight lbs. (kgs) |
|-----------|------------------------|-------------|------------|-----------|-------------|-----------|-------------------|
| | "A" | "B" | "C" | "D" max. | "E" | "F" | |
| TPS 9 | 13.25 (336) | 13.86 (352) | 7.96 (202) | 2.60 (66) | 6.18 (156) | 2.66 (67) | 30 (13.63) |
| TPS 1 | 13.25 (336) | 15.86 (402) | 7.96 (202) | 2.60 (66) | 8.18 (207) | 2.66 (67) | 35 (15.90) |
| TPS 6 | 13.25 (336) | 19.86 (504) | 7.96 (202) | 2.60 (66) | 12.18 (372) | 2.66 (67) | 38 (17.27) |



Riser SPD Bus Plugs dimensions and weights

| Plug type | Dimensions inches (mm) | | | | | | Weight lbs. (kgs) |
|-----------|------------------------|-------------|-------------|------------|------------|------------|-------------------|
| | "A" | "B" | "C" | "D" max. | "E" | "F" | |
| TPS 9 | 10.25 (260) | 13.86 (352) | 7.96 (202) | 5.25 (133) | 2.74 (69) | 2.36 (59) | 25 (11.36) |
| TPS 1 | 11.25 (286) | 19.36 (492) | 7.96 (202) | 5.25 (133) | 7.74 (196) | 3.36 (85) | 35 (15.90) |
| TPS 6 | 15.00 (381) | 22.86 (580) | 10.58 (268) | 5.25 (133) | 5.11 (129) | 4.74 (120) | 45 (20.45) |

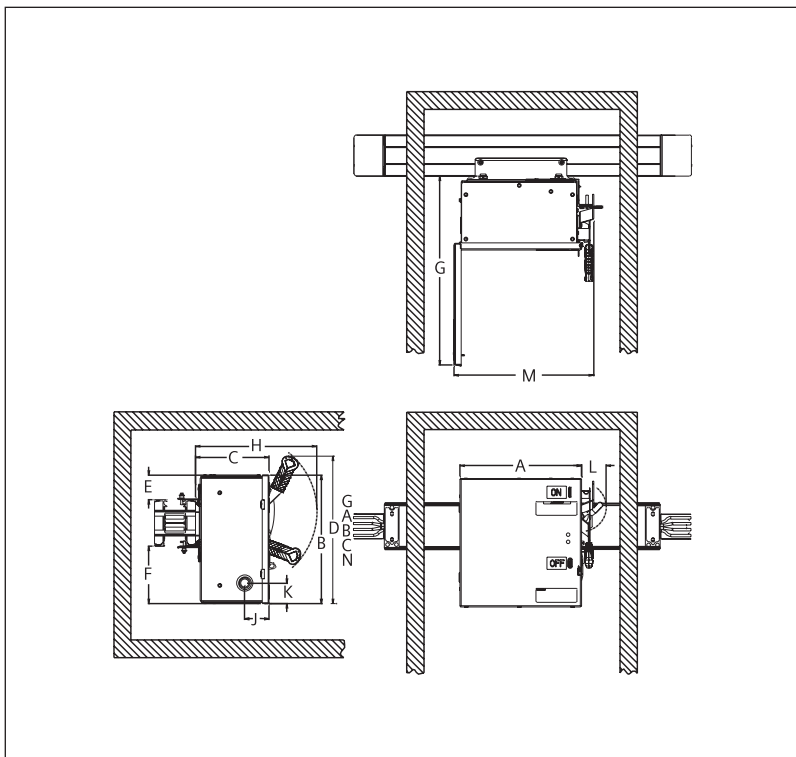


Sentron Busway Systems

Wall Clearance and Fusible Bus Plugs Dimensions

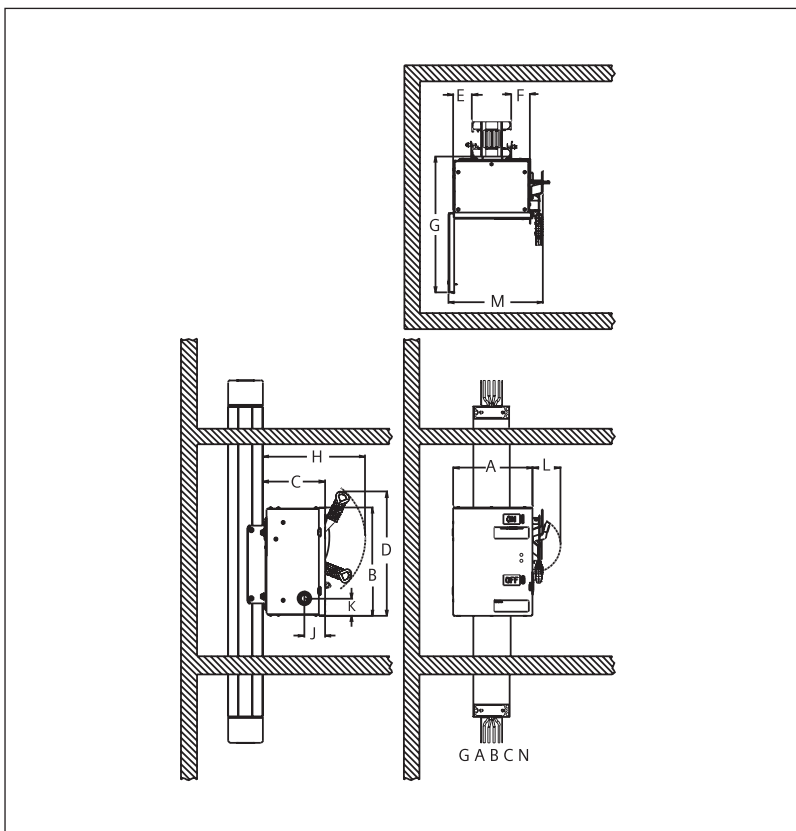
Wall Clearance and Bus Plug Dimensions
Horizontal (Inches/mm)

| Dim. | No Cradle | | | | | |
|------|----------------|----------------|----------------|----------------|----------------|----------------|
| | 30 | 60 | 100 | 200 | 400 | 600 |
| A | 13.13 (333) | 13.13 (333) | 13.13 (333) | 14.88 (377) | 18.63 (473) | 18.63 (473) |
| B | 13.86 (352) | 14.86 (377) | 15.86 (402) | 22.86 (580) | 27.00 (686) | 27.00 (686) |
| C | 7.96 (202) | 7.96 (202) | 7.96 (202) | 10.58 (268) | 15.67 (398) | 15.67 (398) |
| D | 15.89 (403) | 16.68 (423) | 17.68 (449) | 24.66 (626) | 20.00 (508) | 20.00 (508) |
| E | 6.19 (157) | 7.19 (182) | 8.19 (208) | 15.19 (385) | 12.67 (322) | 12.67 (322) |
| F | 2.67 (67) | 2.67 (67) | 2.67 (67) | 2.67 (67) | 7.67 (195) | 7.67 (195) |
| G | 20.39 (517) | 20.39 (517) | 20.39 (517) | 24.76 (628) | 33.75 (857) | 33.75 (857) |
| H | 13.09 (332) | 13.09 (332) | 13.09 (332) | 16.55 (420) | 21.17 (538) | 21.17 (538) |
| J | 2.65 (67) | 2.65 (67) | 2.65 (67) | 3.40 (86) | 12.15 (309) | 12.15 (309) |
| K | 2.06 (52) | 2.06 (52) | 2.06 (52) | 3.06 (78) | 3.06 (78) | 3.06 (78) |
| L | 2.65 (67) | 2.65 (67) | 2.65 (67) | 2.65 (67) | 2.65 (67) | 2.65 (67) |
| M | 15.07 (382) | 15.07 (382) | 15.07 (382) | 16.82 (427) | 21.00 (533) | 21.00 (533) |



Wall Clearance and Bus Plug Dimensions
Riser (Inches/mm)

| Dim. | No Cradle | | | | | |
|------|----------------|----------------|----------------|----------------|----------------|----------------|
| | 30 | 60 | 100 | 200 | 400 | 600 |
| A | 10.13 (237) | 10.13 (257) | 11.13 (282) | 14.68 (372) | 18.63 (473) | 18.63 (473) |
| B | 13.86 (352) | 14.86 (377) | 15.86 (402) | 22.86 (580) | 27.00 (686) | 27.00 (686) |
| C | 7.96 (202) | 7.96 (202) | 7.96 (202) | 10.58 (268) | 15.67 (398) | 15.67 (398) |
| D | 15.89 (403) | 16.68 (423) | 17.68 (449) | 24.66 (626) | 20.00 (508) | 20.00 (508) |
| E | 2.74 (69) | 2.74 (69) | 7.74 (196) | 5.11 (129) | 6.60 (167) | 6.60 (167) |
| F | 2.36 (59) | 2.36 (59) | 3.36 (85) | 4.74 (120) | 7.10 (180) | 7.10 (180) |
| G | 17.39 (441) | 17.39 (441) | 18.39 (467) | 24.76 (628) | 33.75 (857) | 33.75 (857) |
| H | 13.09 (332) | 13.09 (332) | 13.09 (332) | 16.55 (420) | 21.17 (538) | 21.17 (538) |
| J | 2.65 (67) | 2.65 (67) | 2.65 (67) | 3.40 (86) | 12.15 (309) | 12.15 (309) |
| K | 2.06 (52) | 2.06 (52) | 2.06 (52) | 3.06 (78) | 3.06 (78) | 3.06 (78) |
| L | 3.55 (90) | 3.55 (90) | 3.55 (90) | 3.55 (90) | 2.65 (67) | 2.65 (67) |
| M | 12.07 (306) | 12.07 (306) | 13.07 (331) | 16.82 (427) | 21.00 (533) | 21.00 (533) |



Sentron Busway Systems

General Information

Recommended Measurement Steps

1. Using systems requirements for amperage, voltage, and conductors, determine the physical size of the busway. This is important when setting minimum clearances from walls, columns, ceilings and other obstructions. See page 30 for minimal clearances.
2. Prior to any layout, review the complete area to determine the best location for the run. Special attention needs to be given to existing equipment such as plumbing, HVAC, steel columns, beams and permanent structures.
3. Measure all dimensions from fixed points such as columns, walls, floors and ceilings.
4. Make a preliminary sketch showing proposed busway routing, elevations and obstructions. Be sure to show all floor and wall locations including thickness.
5. Where plug-in devices are being used, be sure to allow for proper operation clearances. See dimensional requirements shown in the bus plug section of this publication.

Reference the following documents online at www.usa.siemens.com/busway.

- Sentron Quick Reference
- Busway Order Entry Checklist
- Sentron Busway Installation and Instruction Guide

Maintenance

In order to maintain system performance, it is necessary to perform regular maintenance on your busway system. Siemens Storage, Installation and Maintenance Instructions, and NEMA Publication BU1.1 should be used as a guide to proper maintenance procedures. Routine maintenance of your busway system will increase its life and performance.

Custom Product

With a 60 year history in designing and manufacturing Busway Systems, Siemens can develop custom solutions to meet specific job requirements. Siemens specializes in custom engineered busway sections, connections, and bus plugs. Consult your local Siemens sales office for details on custom pricing and ordering.

Connecting to Existing Equipment

Do you have existing power distribution equipment (non-Sentron) that you would like to run Sentron Busway to or from? Siemens can engineer special connection pieces that allow you to connect Sentron Busway quickly and efficiently.

Transformer Connections

Siemens can connect Sentron Busway to almost any transformer. All you need to do is provide complete drawings of transformer secondary connections with detailed drilling pattern and phasing information to your local Siemens sales engineer and they can order you a custom designed connection piece.

Paint

Sentron Busway products have a protective finish of ANSI 61 gray (standard) polyester urethane powder paint. The paint is electrostatically applied to all housing surfaces. Colors other than ANSI 61 gray may be special ordered.

Low Current Density Busway Sentron Busway may be ordered as 1000 A/in² Copper or 750 A/in² Aluminum.

Conversion is as follows:

| Required M or L Rating | |
|------------------------|-----------|
| AL | L-Rated |
| 225 | — |
| 400 | — |
| 600 | — |
| 800 | 400 |
| 1000 | 600 |
| 1200 | 800 |
| 1350 | 1000 |
| 1600 | 1200 |
| 2000 | 1350,1600 |
| 2500 | 2000 |
| 3000 | 2500 |
| 3200 | 2000 |
| 4000 | 3000,3200 |

| Required M or L Rating | |
|------------------------|------------|
| AL | L-Rated |
| 225 | — |
| 400 | — |
| 600 | — |
| 800 | 400 |
| 1000 | — |
| 1200 | 600 |
| 1350 | 800 |
| 1600 | 1000 |
| 2000 | 1200, 1350 |
| — | 1600 |
| 2500 | 2000 |
| 3000 | — |
| 3200 | — |
| 4000 | 2500, 3000 |
| 5000 | 4000 |

"L" Rating = 750 A/in² Aluminum

"M" Rating = 1000 A/in² Copper

1600 "M" rated is dedicated offering.

Sentron Busway Systems

General Information

Applications – 200% Neutral Option

Power system harmonics are created by numerous types of non-linear loads which are often very high in harmonic content. The harmonics generated create problems in electrical systems and equipment. The presence of nonlinear loads can result in overheated neutrals and lead to deterioration of equipment performance and a reduced equipment life cycle. In order to prevent such problems from occurring, the Computer and Business Equipment Manufacturers Association (CBEMA) recommends that the neutral be oversized to at least 173% of the ampacity of the phase conductors to prevent problems. Sentron Busway offers two fully rated bus bars, therefore providing twice the current carrying surface as the phase bars. Each neutral bar is plated with the same tin plating and insulated with the same electrostatically applied epoxy insulation as the phase bars. This 200% neutral capacity helps prevent overheating caused by non-linear loads.

Isolated Ground

Sentron Busway is available with an optional isolated ground. This isolated ground provides a clean ground path for high frequency signals coming through the ground. This option is very useful in applications where there are computers or diagnostic equipment. The isolated ground option is often used in hospitals and higher technology industry applications.

Services – Power II Fit Final Connection Program

A “Final Connection” section is a length of busway inserted into a run of busway after the major portion of the busway run has been installed. This allows the release of the majority of the busway run long before the final dimensions are known.

Final Connection pieces will be shipped from Spartanburg, SC within five working days after the receipt of the Final Connection order (maximum five pieces, IP40 and IP55 only). Final Connection pieces must be identified at the time of the original order release with approximate date of Final Connection order. The Final Connection order form should be faxed or emailed to Busway Customer Service. For program details visit our website: www.usa.siemens.com/busway or contact your local Siemens sales office.

Cable/Conduit Conversion

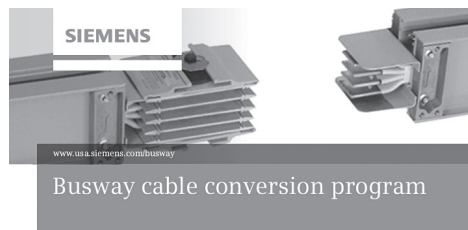
The next time a job calls for value engineering, consider using Sentron Busway as an alternative to cable and conduit and save your customer valuable time and money. Our cable/conduit comparison program generates reports with your specific job parameters and allows you to see a side-by-side total installed cost comparison between Sentron Busway and cable conduit. Consult your local Siemens sales office for more information and a copy of the software. After initial installation, program updates may be downloaded from our website: www.usa.siemens.com/busway

Measuring and Layout

For large jobs, Siemens Busway Systems offer assistance with measuring and layout of the busway. This service is negotiated on a job by job basis.

Emergency Service

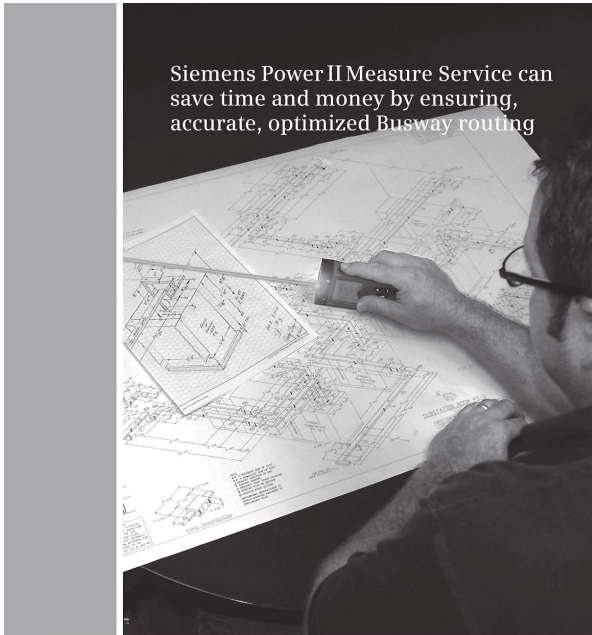
Siemens provides a 24-hour emergency service call center where you can call at any time for emergency service. **1.800.241.4453** will put you in touch with a trained professional who will help assess the situation and put you in touch with a product expert.



Notes

Sentron Busway Systems

Power II Measure Service



Siemens Power II Measure Service can save time and money by ensuring, accurate, optimized Busway routing

Power II Measure Service

www.usa.siemens.com/busway

SIEMENS

What is the Power II Measure service?

Siemens Power II Measure (PIIM) service provides professional busway routing and measurement by a factory representative. The Siemens representative will meet with the designated site contact to review project details and discuss routing options. Using a laser measuring device, all pertinent site measurements will be recorded and then transferred to a CAD approval drawing(s). The PIIM service guarantees correct alignment and routing of the busway. If there are any errors in the busway routing that resulted from Siemens, replacement busway items will be provided at no charge.

Why use the Power II Measure service?

The PIIM service can save you both time and money by:

- Ensuring the most cost effective busway routing
- Ensuring accurate measurements
- Reducing order engineering lead-time

When should the Power II Measure service be used?

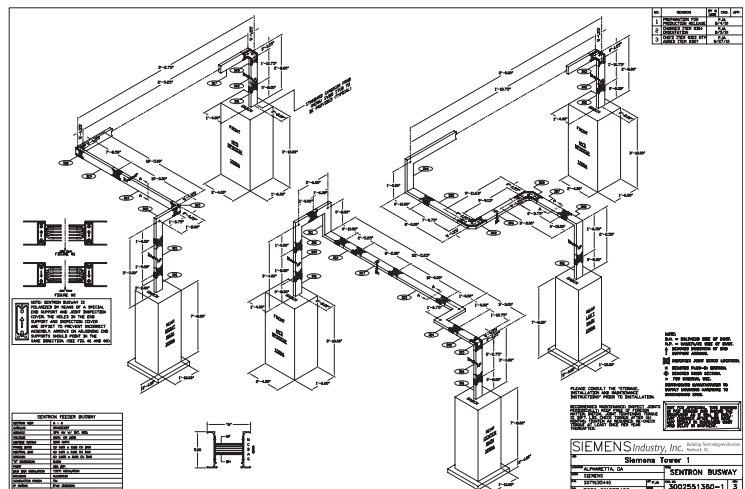
The PIIM service can be beneficial for all projects (new or existing, large or small). The PIIM service is especially beneficial for large and/or complex projects.

Program details

- Product Line: Sentron, XJL, XLU, BD
- Pricing: Fixed daily rate includes travel expenses, site review, measurement service and approval drawings
- Deliverable: An electronic CAD approval package will be submitted within 3 weeks of the site visit. The drawing package will include isometric busway routing with gear orientation, and any special application notes/details.

Ordering details

- The PIIM service should be ordered at the same time as the busway
- The PIIM service may be ordered for project cost estimation
- Allow 2 weeks notice to schedule the PIIM service



**Published by
Siemens 2019**

Siemens Canada Limited
Low Voltage & Products
1577 North Service Road East
Oakville, ON L6H 0H6

Customer Interaction Centre
(888) 303-3353
cic.ca@siemens.com

Order No.: SI-LP-1648

Printed in Canada
All Rights Reserved
© 2019, Siemens Canada Limited
www.siemens.ca/powerdistribution

The technical data presented in this document is based on an actual case or on as-designed parameters, and therefore should not be relied upon for any specific application and does not constitute a performance guarantee for any projects. Actual results are dependent on variable conditions. Accordingly, Siemens does not make representations, warranties, or assurances as to the accuracy, currency or completeness of the content contained herein. If requested, we will provide specific technical data or specifications with respect to any customer's particular applications. Our company is constantly involved in engineering and development. For that reason, we reserve the right to modify, at any time, the technology and product specifications contained herein.