



Parts Catalog

Cummins **Onan**

Performance you rely on.™



RV Generator Set

HDKCA Spec A-C
HDKCB Spec A-C

MODEL IDENTIFICATION

To avoid errors or delay in filling your parts order, always give the MODEL, SPEC NO. and SERIAL NO. from the Onan nameplate.

For handy reference, insert your nameplate information in the spaces below.

MODEL AND SPEC NO.

SERIAL NO.

DIGITAL CONTROL SOFTWARE VERSION
AND DATE (IF APPLICABLE)

SAFETY PRECAUTIONS

The following symbols are used in Onan manuals to alert users to the potentially dangerous conditions relating to maintenance of equipment and replacement of parts. Please read and observe.



This symbol warns of immediate hazards which will result in severe personal injury or death.



This symbol refers to a hazard or unsafe practice which can result in severe personal injury or death.



This symbol refers to a hazard or unsafe practice which can result in severe personal injury or product or property damage.

PRODUCT SAFETY PRECAUTIONS



Service and repair of Onan equipment must be performed by trained, experienced personnel only. Improper service or repair may result in property damage, severe personal injury or death. Do not use this catalog as a guide to servicing your equipment. Read and follow the IMPORTANT SAFETY INSTRUCTIONS in the Service Manual appropriate for the equipment you are working on.



Contact with USED ENGINE OILS has been identified by a United States federal agency and some USA state agencies as causing CANCER or REPRODUCTIVE TOXICITY. When checking or changing engine oils take all necessary precautions not to ingest, breathe the fumes or contact the used oil.



Contact with ASBESTOS has been identified by a United States federal agency and some USA state agencies as causing CANCER or REPRODUCTIVE TOXICITY. When handling engine gaskets take all necessary precautions not to ingest, breathe or contact the dust from the gaskets! Use adequate ventilation and wear protective gloves, masks and clothing!



Contact with BENZINE and LEAD, found in gasoline, fuel additives and solvents has been identified by a United States federal agency and some USA state agencies as causing CANCER or REPRODUCTIVE TOXICITY. When checking, draining or adding gasoline and fuel additives or using solvents take all necessary precautions not to ingest, breathe the fumes or contact the liquids. Use adequate ventilation and wear protective gloves, masks and protective clothing!

Introduction

This parts catalog applies to the standard generator sets listed below. Parts are arranged in groups of related items and each illustrated part is defined by a reference number corresponding to the same reference number in the parts list. Parts illustrations are typical. Using the model and specification number from your generator set nameplate, select parts that apply to your set. Right and left sides are determined by facing the engine end (front) of the set.

Generator Set Data Table

Model Identification	Rating	Wiring Diagram AC/DC	Voltage	Hertz	Phase
10.0HDKCA11506A*	10,000 Watts	630-2676	120/240	60	1
10.0HDKCA11506B/C*	10,000 Watts	630-2854	120/240	60	1
10.0HDKCA11608A*	10,000 Watts	630-2676	120/240	60	1
10.0HDKCA11608B/C*	10,000 Watts	630-2854	120/240	60	1
12.5HDKCB11506A*	12,500 Watts	630-2676	120/240	60	1
12.5HDKCB11506B/C*	12,500 Watts	630-2854	120/240	60	1

* – The specification number denotes customer requested options or deviations from a standard (1A, 1B, etc.) model. The specification letter advances (A, to B, to C, etc.) with major manufacturing changes.

Index

Adapter, Generator, **53**
Adapter, Oil Filter, **24, 25**
Adapter, Oil Filter (Nut), **24**
Adapter, Tube, **24**
Apparatus, Idling, **18**
Arm, Rocker, **13**
Assy Bearing, Main Case, **9**
Assy Bolt, Adjustment, **15**
Assy Head, Cylinder, **8**
Assy lever, Fork, **14, 16**
Assy Plate, Control, **15**
Assy Pump, Oil, **21**
Assy, Drip Pan, **48**
Assy, Bearing Case Wheel, **9**
Assy, Camshaft Fuel, **32**
Assy, Connector Rod, **10**
Assy, Coupling, **42**
Assy, Door, **49**
Assy, Frame, **48**
Assy, Overflow Pipe, **27, 28**
Assy, Solenoid, **17**

Backplate, Fan, **36**
Baffle, Air, **36**
Ball, **10, 19, 32**
Ball, Camshaft, **11**
Base, Oil, **26**
Base, Remote Filter, **24**
Bearing, **38**
Bearing, Ball, **32**
Belt, Drive, **43**
Belt, Drive, Water Pump, **42**
Block, AC Terminal, **56**
Block, Battery Harness Terminal, **56**
Block, Cylinder, **7**
Block, Generator Brush, **53**
Body, Water Pump, **38**
Bolt, **9, 11**
Bolt, Adjustment, **15**
Bolt, Bearing Case, **9**
Bolt, Connector Rod, **10**
Bracket, Control, **54**
Bracket, Engine, **23**
Bracket, Engine (Back Assy), **48**
Bracket, Fill Tube, **37**
Bracket, Fuel Filter, **33**
Bracket, Oil Drain, **25**
Bracket, Rocker Arm, **13**
Bracket, Tensioner, **42**
Breaker, Circuit, **51**
Brush, Generator, **53**
Bush, Crankshaft, **10**
Bush, idle Gear, **11**
Bush, Piston Pin, **10**
Bushing, Tensioner, **42**

Camshaft, **11**
Camshaft, Fuel, **32**
Camshaft, Fuel , **32**
Cap, Cylinder Head Sealing, **8**
Cap, Fill, **37**
Cap, Oil Fill, **23**
Cap, Push-On, **37**
Cap, Seal, **19**
Cap, Sealing, **7**
Cap, Valve, **13**
Case, Governor Ball, **32**
Case, Main Bearing , **9**
Circle Clip, **32**
Circle Clip, External, **32**
Circle Clip, Governor Sleeve, **32**
Circle, Clip, **11**
Circular, Clip, Internal, **10**
Clamp, Air Intake Hose, **35**
Clamp, Coolant Hose, **37**
Clamp, Fuel System Hose, **33**
Clamp, Hose, **12, 39, 40**
Clamp, Pipe, **27, 28**
Cleaner, Air, **35**
Clip, Pipe, **27, 28, 29**
Collar, **11, 32**
Collar, Camshaft, **10**
Collar, Valve Seat, **19**
Collet, Valve Spring, **13**

Index

Comp Guide, Solenoid, **17**
Comp. Crankcase, **7**
Comp, Crankshaft, **10**
Comp, Flange Water, **39, 40**
Comp, Gear Idle, **11**
Comp, Valve Breather, **12**
Components, Injection Nozzle, **31**
Components, Injection Pump, **29, 30**
Connector, Fuel Hose, **33**
Connector, Male, **24**
Control, **54**
Control, Idle, **18**
Control, Speed, **16**
Cord, Glow Plug, **27, 28**
Cover, Bearing Case, **9**
Cover, Breather, **12**
Cover, Brush Block, **49**
Cover, Control, **54**
Cover, Cylinder Head, **12**
Cover, Fuel Camshaft, **32**
Cover, Fuel Pump, **48**
Cover, Housing AC, **51**
Cover, Injector Pump, **29**
Cover, Thermostat, **39, 40**
Crankpin, Metal, **10**
Crankshaft, **10**
Crankshaft, Nut, **10**

Dipstick, Oil , **22**
Disc, Generator Drive, **53**
Duct, Air, **36**

Edging, Stator Housing, **53**
Elbow, 90, **33**
Elbow, Tube, **24**
End, Cap Skid, **48**
Engine, Replacement, **7**
Exhaust System, **45, 46**

Fan, Generator, **53**
Fan, Sucker, **36**
Fill, Remote Oil, **25**

Filter, Fuel, **33**
Filter, Oil, **24, 25**
Filter, oil, **26**
Filter, Remote Oil, **24**
Fitting, Bulkhead, **33**
Flange, w/ Pump Shaft, **38**
Flange, Water, **39, 40**
Flange, Water Return, **19**
Flywheel, **20**
Frame, Door, **49**

Gasket, **7, 15, 26, 27, 28, 29, 30, 31, 32**
Gasket, Bearing Case, **9**
Gasket, Case Cover, **9**
Gasket, Cylinder Head, **8**
Gasket, Cylinder Head Cover, **12**
Gasket, Exhaust Manifold, **44, 45, 46**
Gasket, Gear Case, **19**
Gasket, Hourmeter Unit, **19**
Gasket, Oil Fill, **23**
Gasket, Oil Filter, **24**
Gasket, Oil Pan, **26**
Gasket, Oil Pump, **21**
Gasket, Plate, **18**
Gasket, Pump Cover, **29, 30**
Gasket, Return Flange, **19**
Gasket, Thermostat, **39, 40**
Gasket, Water Flange, **39, 40**
Gasket, Water Pump, **38**
Gauge, Oil, **22**
Gauge, Oil Pressure (Remote Panel), **60**
Gauge, Water Temperature (Remote Panel), **60**
Gear, Cam, **11**
Gear, Crankshaft, **10**
Gear, Idle, **11**
Gear, Injection Pump, **32**
Gear, Oil Pump Drive, **21**
Gearcase, **19**
Generator, **53**
Governor, **14**
Grommet, **48**
Grommet, Engine Harness, **55**

Index

Guard, Fan, **53**
Guide, Exhaust Valve, **8**
Guide, Inlet Valve, **8**
Guide, Oil Gauge, **22**

Hardware, Meter Mounting, **59, 60**
Harness, AC, **56**
Harness, Adapter, **61**
Harness, Battery , **56**
Harness, Engine, **55**
Harness, Remote, **61**
Harness, Remote Panel, **61**
Harness, Remote Panel (Gauges), **60**
Harness, Remote Panel (Switch/Hourmeter), **58**
Harness, Remote Panel (Switch/Voltmeter), **59**
Harness, Remote Panel (W/Switch), **57**
Harnesses, Remote, **61**
Head, Cylinder, **8**
Head, Oil Filter, **25**
Holder, Fork Lever, **14, 16**
Holder, Nozzle, **27, 28, 31**
Hook, Engine, **8**
Hose, Air Bleeder, **37**
Hose, Coolant, **37**
Hose, Fill, **37**
Hose, Fuel, **33**
Hose, Intake, **35**
Hose, Oil, **25**
Hose, Overflow, **37**
Hose, Remote Oil Fill, **24**
Hourmeter (Remote Gauge Panel), **60**
Hourmeter (Remote Switch Panel), **58**
Housing, **49**
Housing End Cap, **51**
Housing, Flywheel, **20**
Hub, Bearing Pulley, **42**
Hub, Bearing Tensioner, **42**

Impeller, Water Pump, **38**
Insulation, Baffle, **36**
Insulation, Cover, **49**
Insulation, Duct, **36**
Insulation, Outlet, **36, 48**
Insulation, Outlet (Duct), **36**
Insulation, Panel, **49**
Isolator, Vibration, **48**

Joint, Eye, **29, 30**
Joint, Pipe, **19**

Key, Feather, **10, 11, 21, 32**
Kit, Remote Control Panel (W/Switch), **57**
Kit, Remote Panel (Gauges), **60**
Kit, Remote Panel (Switch/Hourmeter), **58**
Kit, Remote Panel (Switch/Voltmeter), **59**

Labels, **62**
Lever, Fork, **14, 16**
Line, Fuel, **33**
Line, Fuel Injector Pump, **33**

Manifold Inlet, **34**
Manifold, Exhaust, **34, 44**
Manifold, Exhaust , **44**
Metal, Crankshaft, **9, 10**
Metal, Side, **10, 10**
Meter, Hour Housing, **51**
Meter, Voltage (Remote Panel), **59**
Mounting, Fan, **36**
Mounting, Radiator, **48**
Muffler, **45, 46**

Neck, Coolant Fill, **37**
Nipple, Pipe, **24**

O'Ring, **10, 12, 19, 26**
O'Ring, Radiator Plug, **37**

Pan, Oil, **26**
Panel Assy, Housing Top, **49**
Panel, Access, **49**
Panel, Enclosure, **49**
Panel, Enclosure (Top), **49**
Panel, End Cap, **49**

Index

Panel, Printed, **59**
Panel, Remote (W/Switch), **57**
Panel, Remote Gauge, **60**
Panel, Remote Switch/Hourmeter, **58**
Panel, Remote Switch/Voltmeter, **59**
Panel, w /Decal, **60**
PCB (Control), **54**
Piece, Distance, **31**
Piece, Nozzle, **27, 28, 31**
Pin, Dowel, **20**
Pin, Pipe, **7**
Pin, Piston, **10**
Pin, Spring, **13**
Pin, Straight, **7, 19**
Pipe, Flex Exhaust, **45, 46**
Pipe, Fuel, **29, 30**
Pipe, Injection, **27, 28**
Pipe, Water Return, **12, 34, 39, 40**
Piston, **10**
Plate, Bulkhead, **36**
Plate, Lifting, **25**
Plate, Speed Control, **15**
Plate, Transformer, **35**
Plug, **7, 7, 8, 19**
Plug, Expansion, **7**
Plug, Glow, **27, 28**
Plug, Hole, **48**
Plug, Oil Filler, **12**
Plug, Oil Gauge, **22**
Plug, Pipe, **33**
Pug, Glow, **27**
Pulley, Fan, **38**
Pulley, Fan Drive, **41**
Pulley, Tensioner, **42**
Pulley, Water Pump, **42**
Pump, Fuel, **33**
Pump, Oil, **21**
Pump, Water, **38**
Pump, Water , **38**
Push, Rod, **31**

Radiator, **37**

Relay, **55**
Resonator, Intake, **34, 35**
Retainer, Valve Spacer, **13**
Rod, Push, **11**
Rotor, Generator, **53**

Seal, Heat, **28, 31**
Seal, Oil, **9, 10**
Seal, Pan, **48**
Seal, Radiator, **37, 48**
Seal, Shaft, **38**
Seal, Valve Stem, **13**
Seat, Valve, **19**
Set, Piston Ring, **10**
Shaft, Idle Gear, **11**
Shaft, Lever, **14, 16**
Shaft, Rocker Arm, **13**
Shield, Breather, **12**
Shim, Injector Pump, **29, 30**
Sleeve, Governor, **32**
Slinger, Oil, **10**
Solenoid, Stop, **17**
Spacer, Fan, **36**
Spacer, Generator Fan, **53**
Spring, **19**
Spring, Generator Brush, **53**
Spring, Governor, **14**
Spring, Rocker Arm, **13**
Spring, Tensioner, **42**
Spring, Valve, **13**
Starter, **20**
Stator, Generator, **53**
Stopper, Camshaft, **11**
Stopper, Fuel Camshaft, **32**
Strap, Electrical, **47**
Switch, Housing Rocker, **51**
Switch, Oil Pressure, **7**
Switch, Remote Control Panel Rocker, **57**
Switch, Start/Stop (Remote Gauge Panel), **60**
Switch, Start/Stop (Remote Hourmeter Panel), **58**
Switch, Start/Stop (Remote Voltmeter Panel), **59**
System, Air Intake, **35**

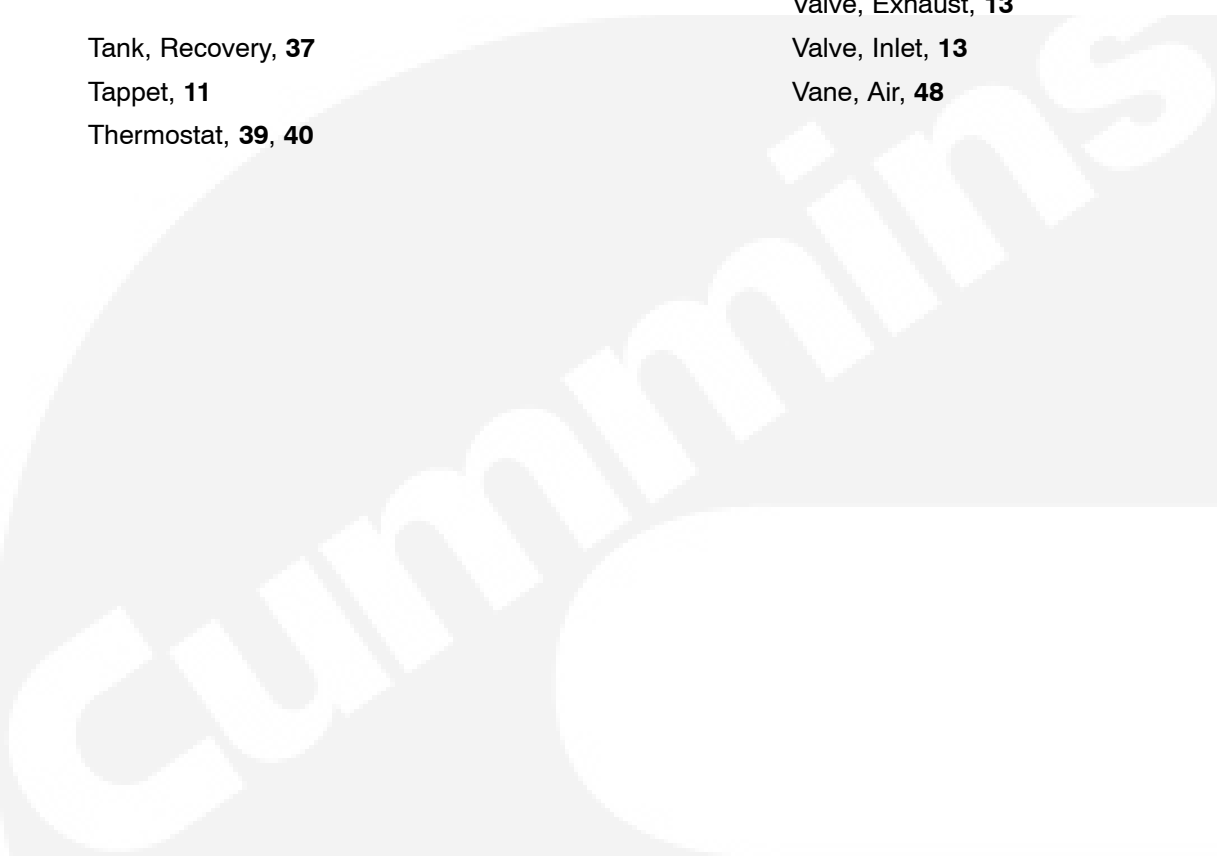
Index

System, Cooling, **37**
System, Fuel, **33**
System, Ground, **47**
System, Mounting, **48**
System, Pulley , **41, 42**

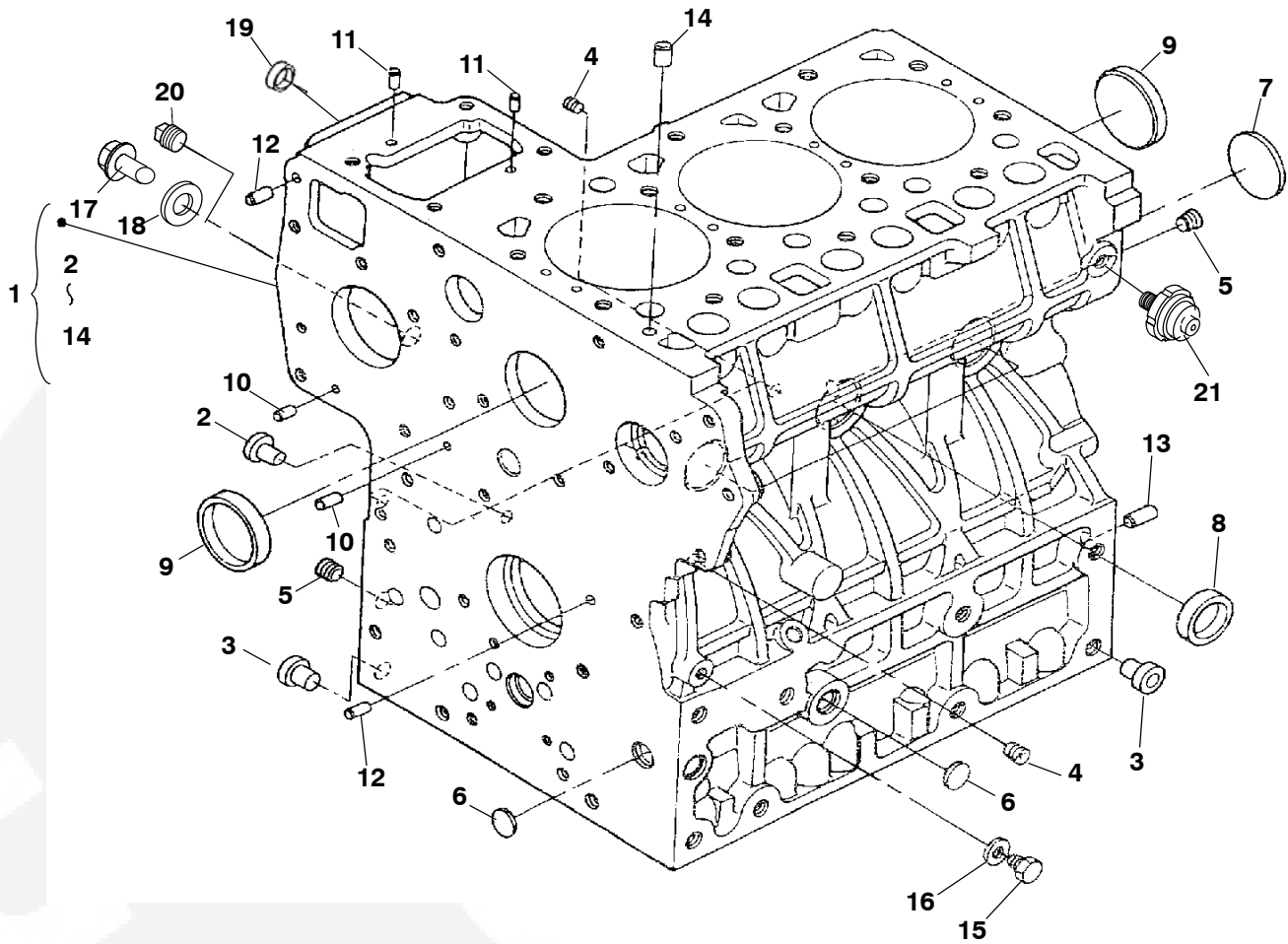
Tank, Recovery, **37**
Tappet, **11**
Thermostat, **39, 40**

Thermostat Assy, **39, 40**
Transformer, Current, **35**
Tube, Breather, **12**
Tube, Oil Fill, **23**

Valve, Exhaust, **13**
Valve, Inlet, **13**
Vane, Air, **48**

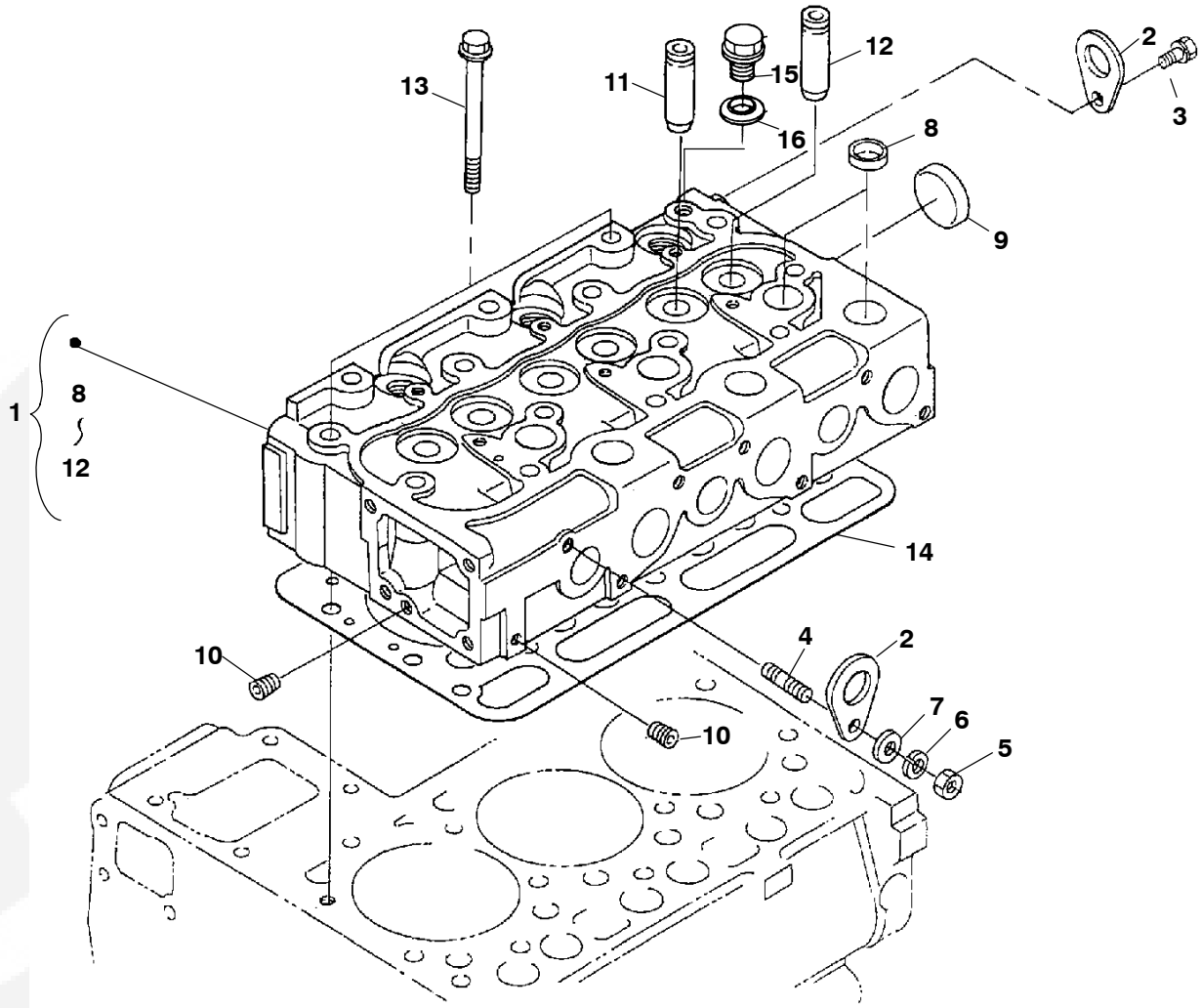


Cylinder Block



REF NO.	PART NO.	QTY USED	PART DESCRIPTION	REF NO.	PART NO.	QTY USED	PART DESCRIPTION
			Engine, Replacement	10	185-5842	2	Pin, Straight
	100-3909	1	Spec A-B	11	185-2350	3	Pin, Straight
	100-4113	1	Begin Spec C	12	185-5843	2	Pin, Straight
1			Comp. Crankcase	13	185-5844	1	Pin, Straight
	110-3951	1	Spec A-B	14	185-2094	1	Pin, Pipe
	101-0874	1	Begin Spec C	15	517-0373	1	Plug
2	185-6039	1	Plug (Spec A-B)	16	185-2338	1	Gasket
3	185-5837	2	Plug (Spec A-B)	17	184-0023	1	Plug (Spec A-B)
4	185-2233	5	Plug	18	509-0417	1	Gasket (Spec A-B)
5	185-2234	2	Plug	19	185-5483	1	Cap, Sealing
6	185-6121	3	Plug, Expansion	20	505-2519	1	Plug (Spec C)
7	185-6040	1	Plug, Expansion	21	185-5492	1	Switch, Oil Pressure
8	185-5840	5	Cap, Sealing				
9	185-5841	2	Cap, Sealing				

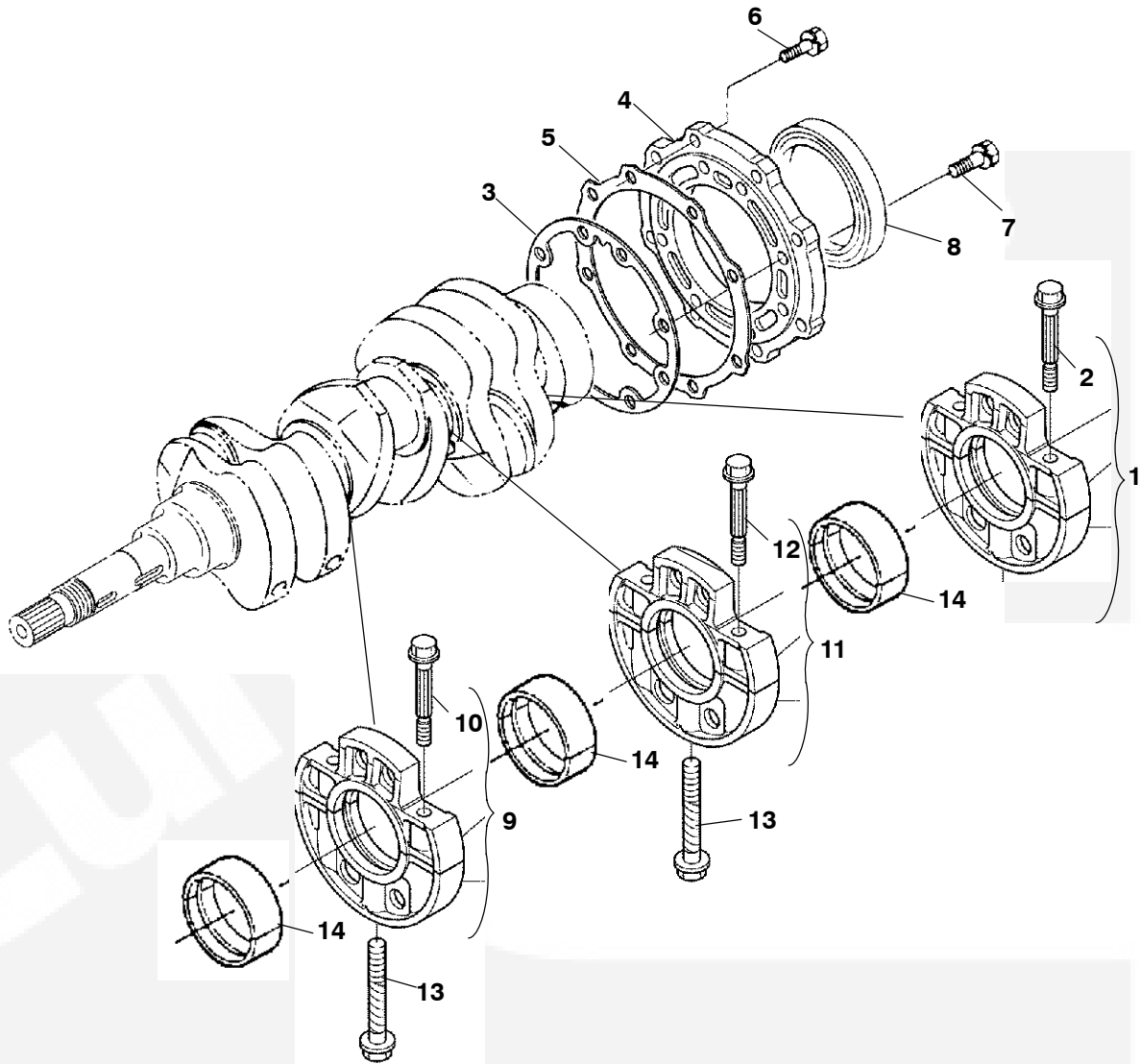
Cylinder Head



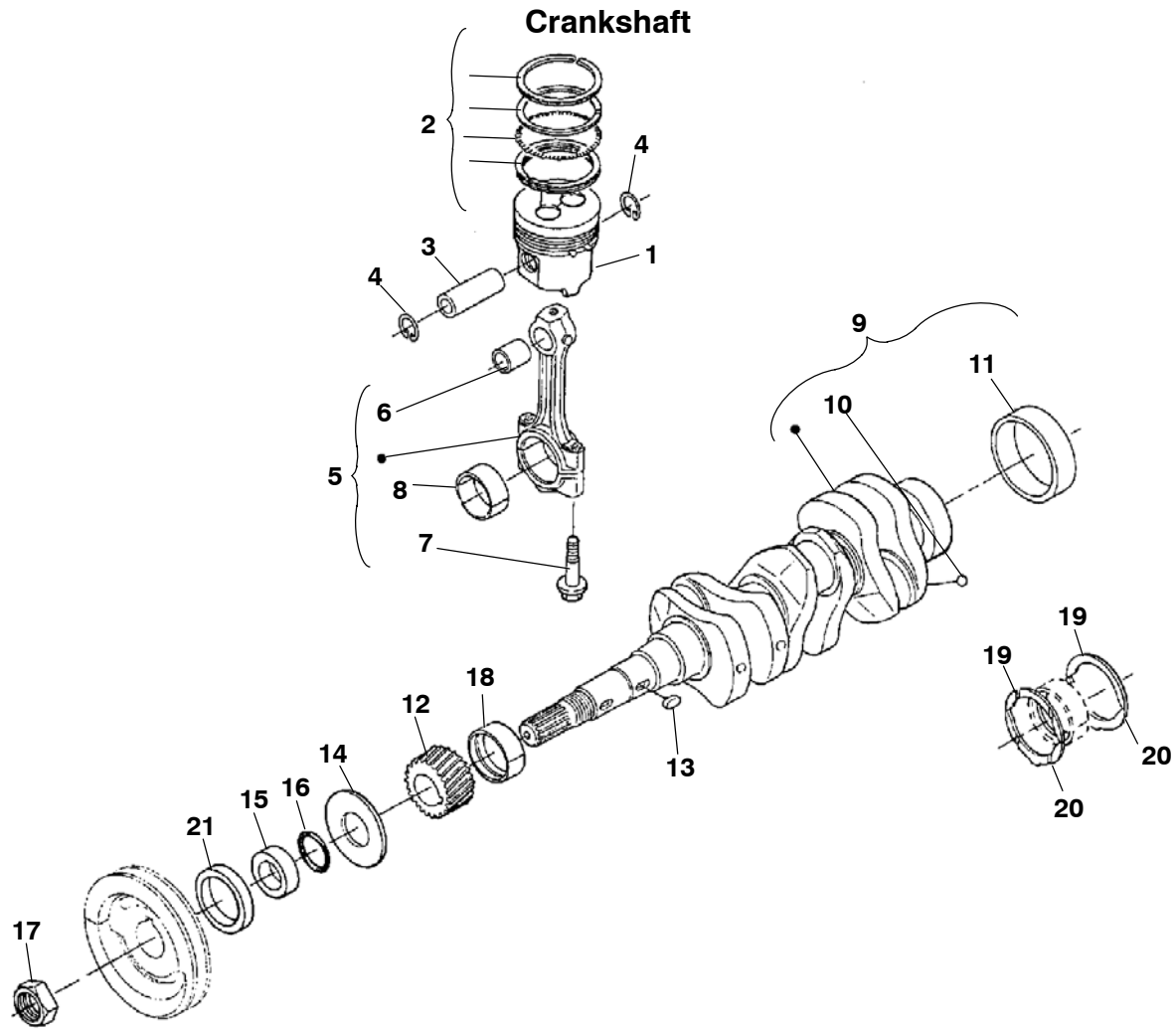
REF NO.	PART NO.	QTY USED	PART DESCRIPTION	REF NO.	PART NO.	QTY USED	PART DESCRIPTION
1			Assy Head, Cylinder (Includes Parts Marked *)	13	185-5865	14	Bolt, Cylinder Head
	110-3954	1	Spec A-B	14			Gasket, Cylinder Head
	110-4114	1	Begin Spec C		110-4116	1	Spec A-B
2	185-2414	2	Hook, Engine		110-4117	1	1.15mm
3	185-2563	1	Bolt		110-4116	1	1.20mm
4	185-6048	1	Stud		110-4118	1	1.25mm
5	185-2367	1	Nut		110-4119	1	1.30mm
6	185-6957	1	Washer, Spring		110-4120	1	1.35mm
7	185-9016	1	Washer, Plain	15	185-5867	1	Plug
8	185-5861	9	*Cap, Sealing	16	185-5868	1	Washer, w/ Rubber
9	185-2412	1	*Cap, Sealing				
10	185-2188	2	*Plug				
11	185-5862	3	*Guide, Inlet Valve				
12	110-3987	3	*Guide, Exhaust Valve				

* - Parts Included in Cylinder Head Assy.

Main Bearing Case

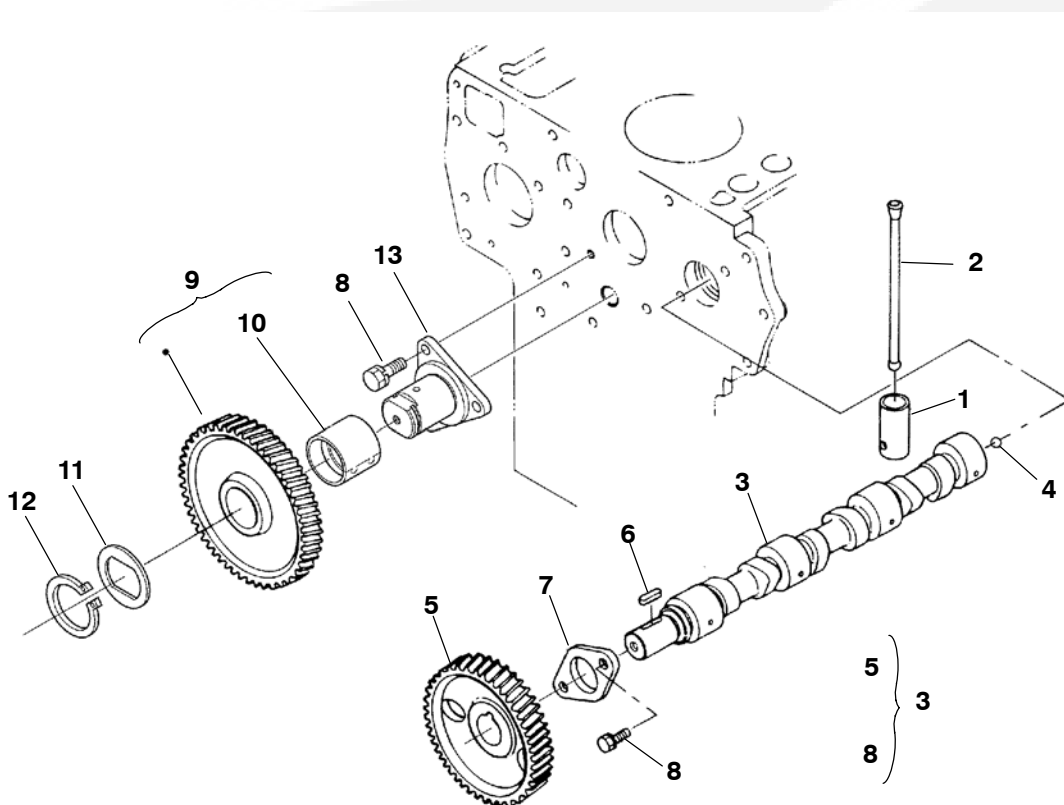


REF NO.	PART NO.	QTY USED	PART DESCRIPTION	REF NO.	PART NO.	QTY USED	PART DESCRIPTION
1	104-2029	1	Assy, Bearing Case Wheel	9	104-2031	1	Assy Bearing, Main Case
2	800-6329	2	Bolt, Bearing Case	10	800-6329	2	Bolt, Bearing Case
3	185-6766	1	Gasket, Bearing Case	11	104-2032	1	Assy Bearing, Main Case
4	101-0836	1	Cover, Bearing Case	12	800-6329	2	Bolt, Bearing Case
	232-4229	1	Spec A-B Begin Spec C	13	185-5899	2	Bolt, Bearing Case
5	185-5893	1	Gasket, Case Cover	14	104-2035	3	Metal, Crankshaft Standard
6	185-2403	8	Bolt		104-2039	3	0.20 Oversized
7	185-2404	8	Bolt		104-2040	3	0.40 Oversized
8	509-0416	1	Seal, Oil				



REF NO.	PART NO.	QTY USED	PART DESCRIPTION	REF NO.	PART NO.	QTY USED	PART DESCRIPTION
1			Piston	10	185-5924	3	Ball
			Spec A-B	11	185-5925	1	Bush, Crankshaft
	112-0298	3	Standard	12	507-0006	1	Gear, Crankshaft
	112-0299	3	0.25 Oversize)	13	515-0320	1	Key, Feather
			Begin Spec C	14	185-6973	1	Slinger, Oil
	112-0340	3	Standard	15	185-5928	1	Collar, Camshaft
	112-0341	3	0.25 Oversize)	16	185-5929	1	O'Ring
2			Ring Set, Piston	17	185-5930	1	Crankshaft, Nut
	541-1168	3	Standard	18			Metal, Crankshaft
	541-1169	3	0.25 Oversized		104-2033	1	Standard
3			Pin, Piston		104-2037	1	0.20 Oversized
	185-5915	3	Spec A-B		104-2038	1	0.40 Oversized
	112-0339	3	Begin Spec C	19			Metal, Side
4	518-0732	6	Circular, Clip, Internal		104-2034	2	Standard
5	185-5917	3	Assy, Connector Rod		104-2041	2	0.20 Oversized
6	185-5918	3	Bush, Piston Pin		104-2042	2	0.40 Oversized
7	185-6771	6	Bolt, Connector Rod	20			Metal, Side
8			Crankpin, Metal		104-2036	2	Standard
	185-6076	3	Standard		104-2043	2	0.20 Oversized
	185-5921	3	0.20 Oversized		104-2044	2	0.40 Oversized
	185-5922	3	0.40 Oversized	21	185-5931	1	Seal, Oil
9			Comp, Crankshaft				
	104-2030	1	Spec A-B				
	104-2172	1	Begin Spec C				

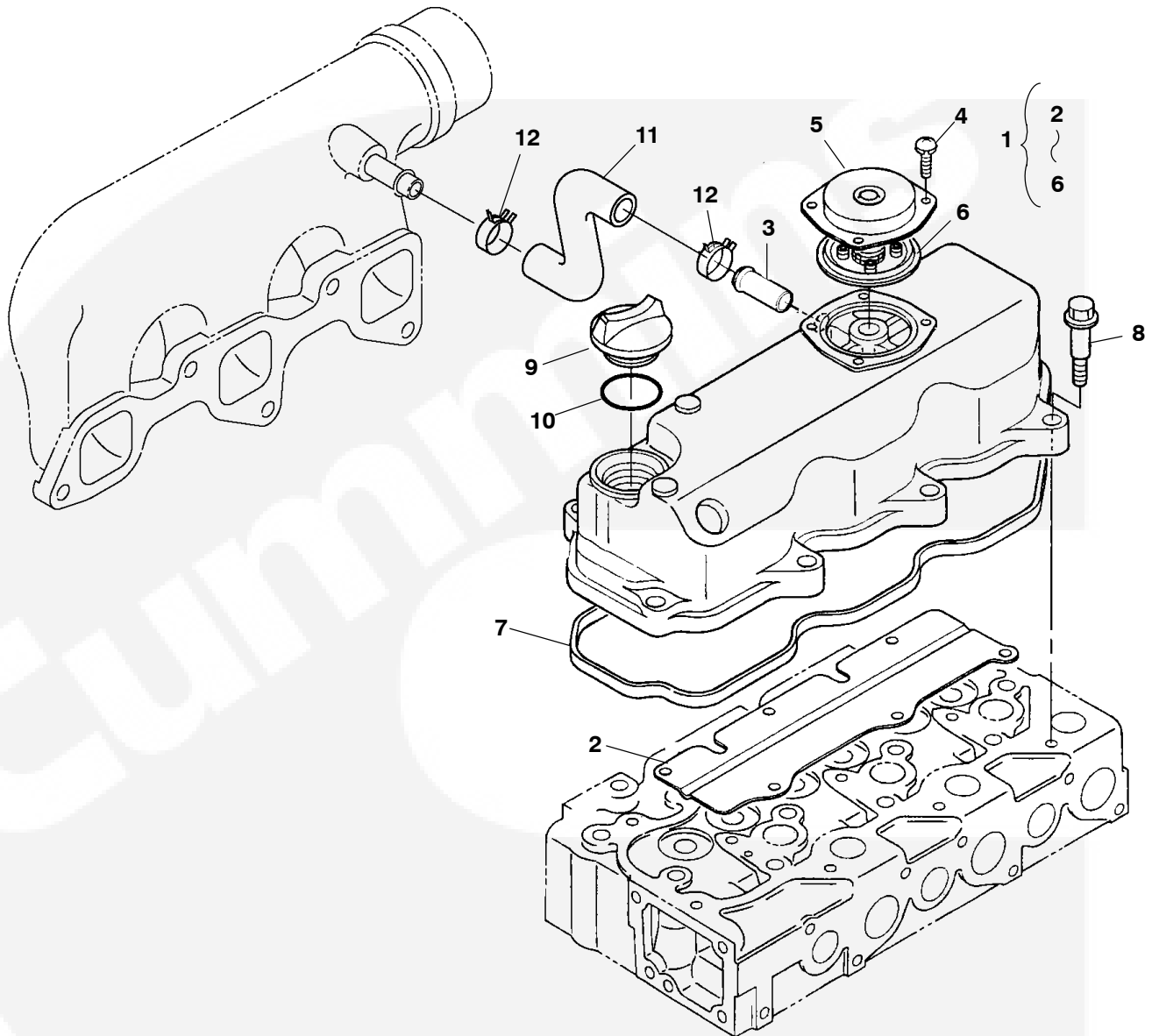
Camshaft/Idle Gear



REF NO.	PART NO.	QTY USED	PART DESCRIPTION	REF NO.	PART NO.	QTY USED	PART DESCRIPTION
1	185-5900	6	Tappet	8	185-2400	5	Bolt
2	185-5901	6	Rod, Push	9	507-0008	1	Comp, Gear Idle
3			Camshaft	10	508-1216	1	*Bush, idle Gear
	105-0742	1	Spec A-B	11	406-1071	1	Collar
	105-0775	1	Begin Spec C	12	185-6072	1	Circle, Clip
4	185-5924	1	Bearing, Ball	13	306-5438	1	Shaft, Idle Gear
5	507-0007	1	Gear, Cam				
6	185-5905	1	Key, Feather				
7	185-5906	1	Stopper, Camshaft				

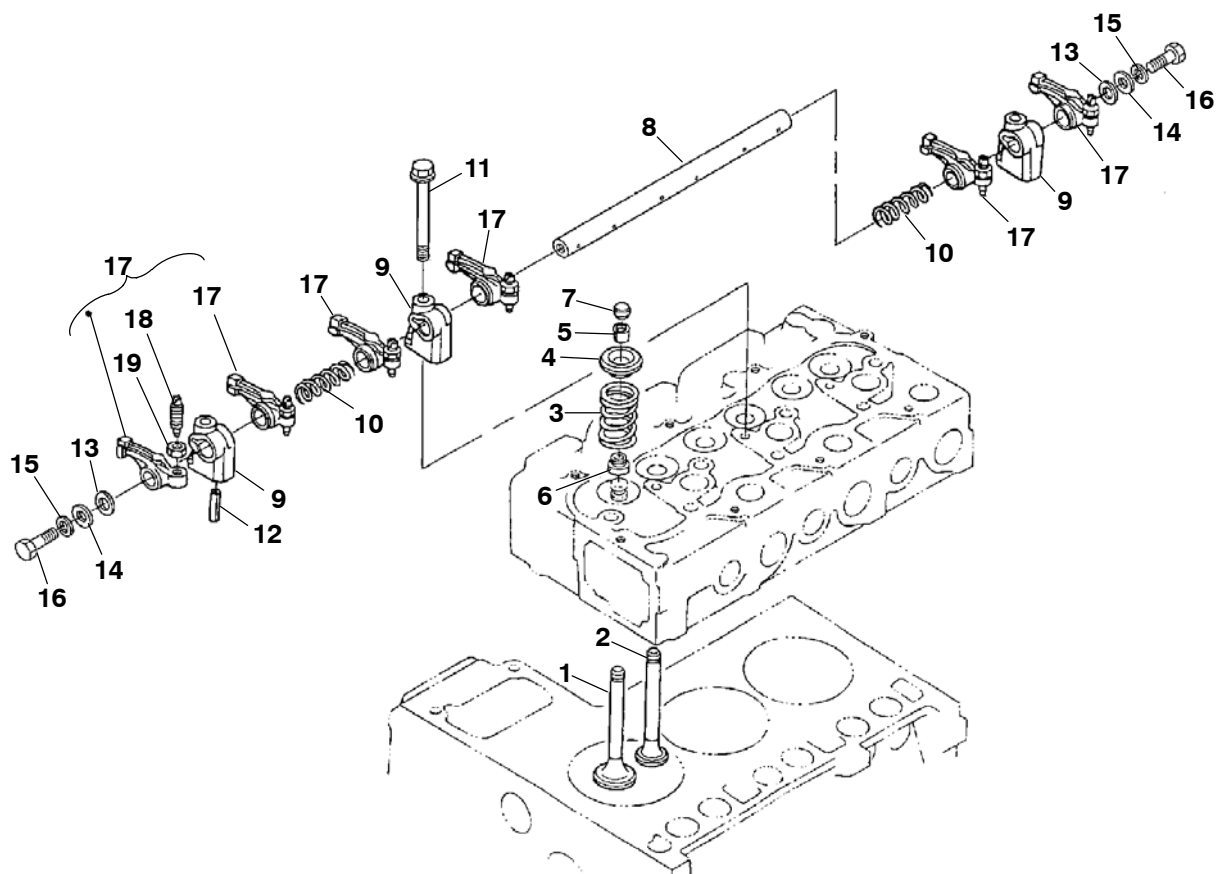
* - Parts Included in Camshaft Assy.

Cylinder Head Cover

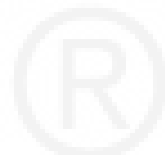


REF NO.	PART NO.	QTY USED	PART DESCRIPTION	REF NO.	PART NO.	QTY USED	PART DESCRIPTION
1	110-3953	1	Cover, Cylinder Head (Includes Ventilator Valve and Screws)	6	123-2264	1	Comp, Valve Breather
2	123-2261	1	Shield, Breather	7	110-3949	1	Gasket, Cylinder Head Cover
3	185-6103	1	Pipe, Water Return	8	800-6330	8	Bolt
4	185-2384	4	Screw	9	185-2093	1	Plug, Oil Filler
5			Cover, Breather	10	509-0414	1	O'Ring
	123-2263	1	Spec A-B	11	123-2266	1	Tube, Breather
	181-9238	1	Begin Spec C	12	503-2551	2	Clamp, Hose

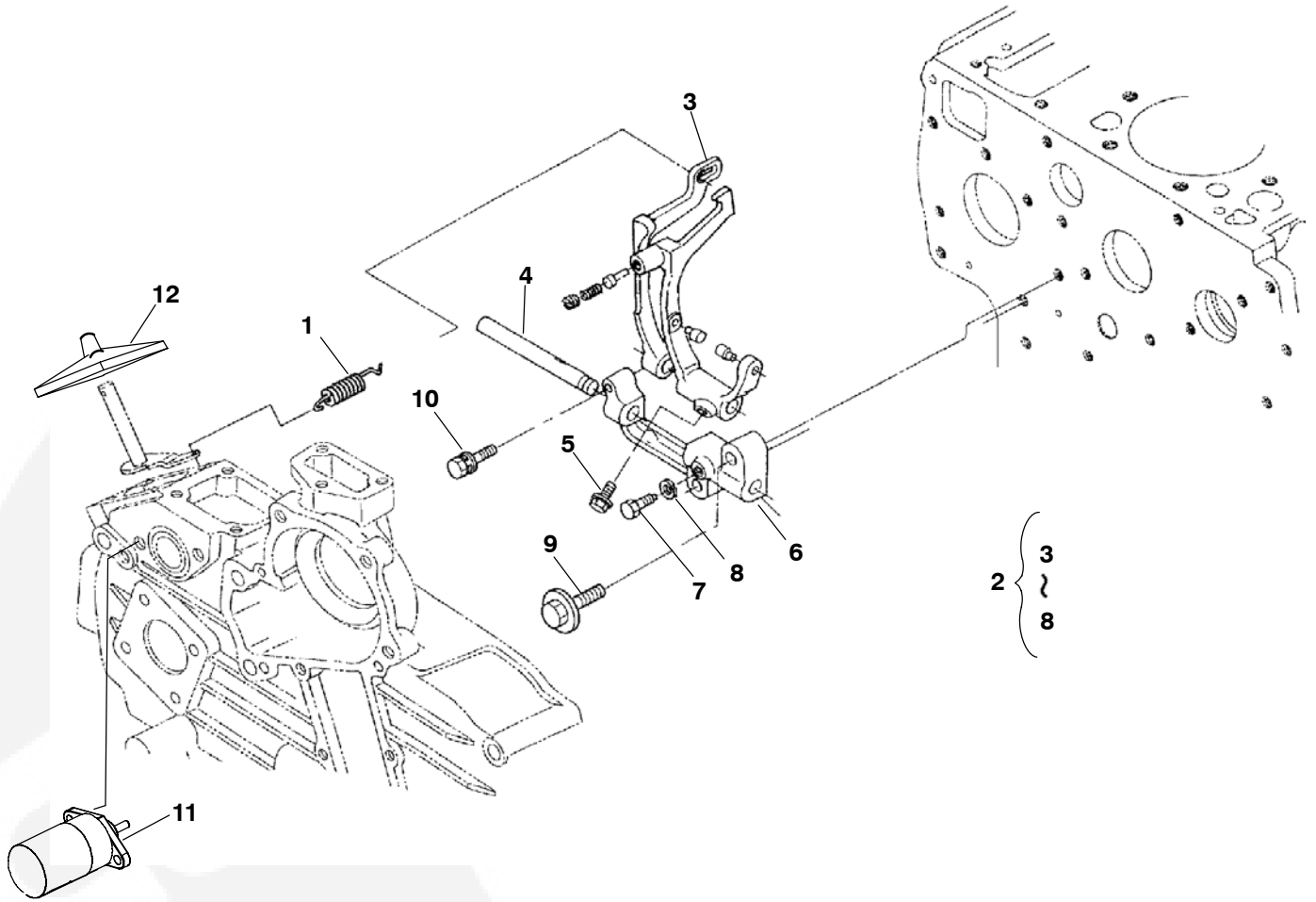
Rocker Arm



REF NO.	PART NO.	QTY USED	PART DESCRIPTION	REF NO.	PART NO.	QTY USED	PART DESCRIPTION
1	185-6107	3	Valve, Inlet Spec A-B	9	185-6022	3	Bracket, Rocker Arm
	110-4122	3	Begin Spec C	10	185-6026	2	Spring, Rocker Arm
2	185-6108	3	Valve, Exhaust Spec A-B	11	800-6335	3	Bolt, Flange
	110-4123	3	Begin Spec C	12	185-6789	1	Pin, Spring
3	185-6016	6	Spring, Valve	13	185-6025	5	Washer, Rocker Arm Shaft
4	185-6017	6	Retainer, Valve Spacer	14	185-7221	2	Washer, Plain
5	110-3948	6	Collet, Valve Spring	15	185-6957	2	Washer, Spring
6	185-6018	6	Seal, Valve Stem	16	800-6327	2	Bolt
7	185-6019	6	Cap, Valve	17	185-6028	6	Arm, Rocker
8	115-0509	1	Shaft, Rocker Arm	18	185-6029	6	Screw, Adjusting
				19	185-6030	6	Nut



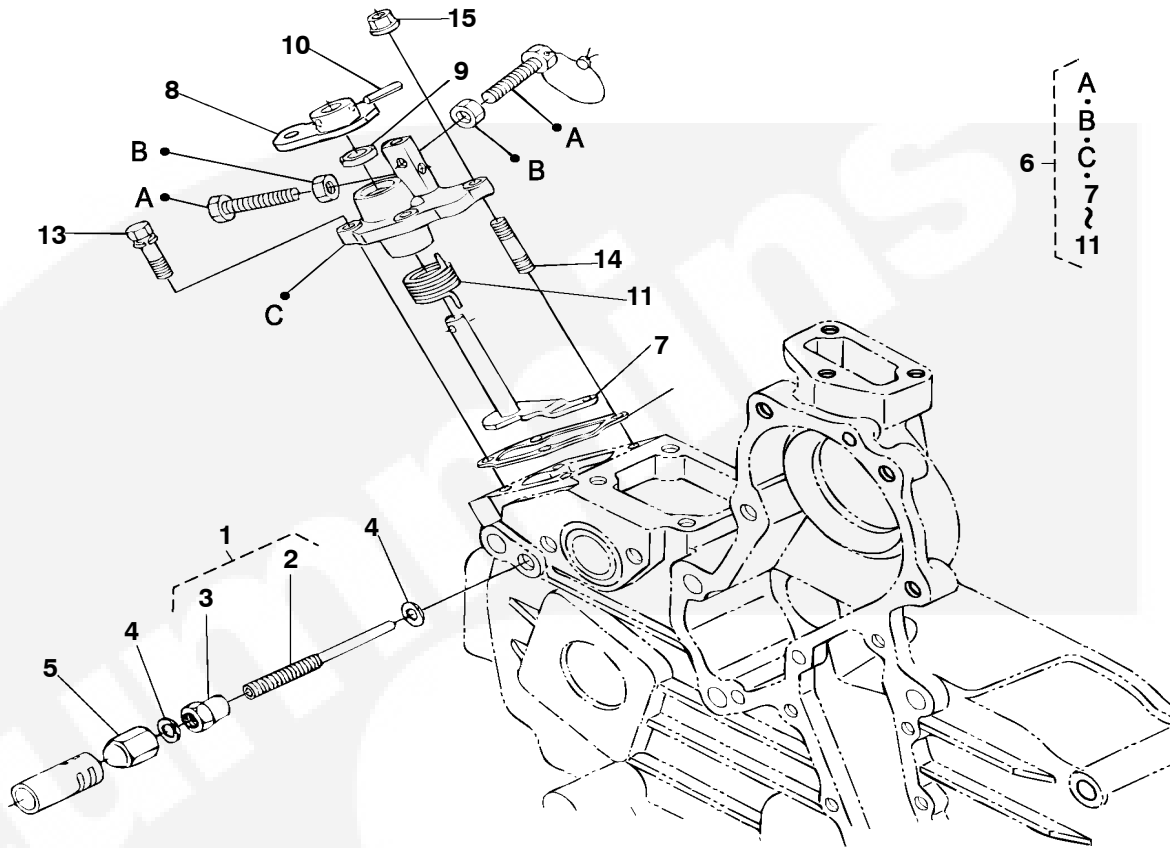
Governor (Spec A-B)



REF NO.	PART NO.	QTY USED	PART DESCRIPTION	REF NO.	PART NO.	QTY USED	PART DESCRIPTION
1	506-0028	1	Spring, Governor	7	800-6306	1	Bolt
2	150-2847	1	Assy lever, Fork	8	185-6759	1	Washer, Spring
3	150-2842	1	Lever, Fork	9	800-6334	2	Bolt, Flange
4	150-2805	1	Shaft, Lever	10	185-5147	1	Bolt
5	800-6305	1	Bolt, Flange	11	333-0707	1	Governor Actuator
6	150-2836	1	Holder, Fork Lever	12	185-6171	1	Cover, Speed Control

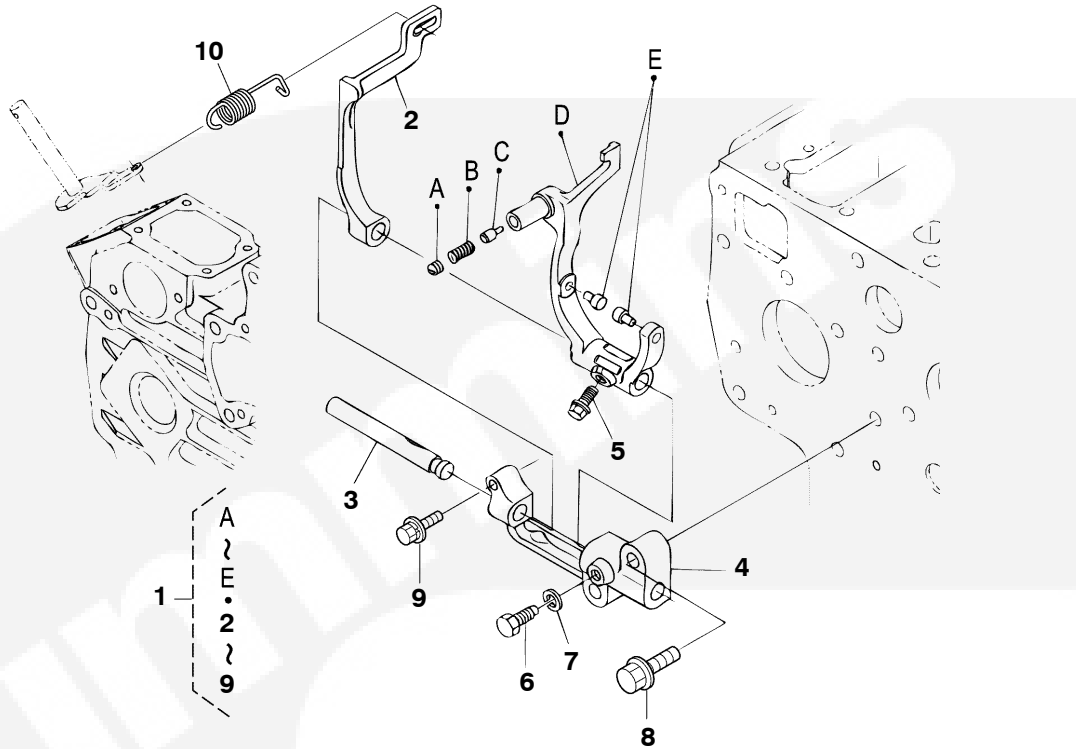


Speed Control Plate

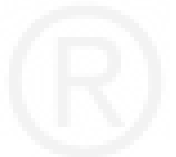


REF NO.	PART NO.	QTY USED	PART DESCRIPTION	REF NO.	PART NO.	QTY USED	PART DESCRIPTION
1	150-2840	1	Assy Bolt, Adjustment	9	509-0555	1	Seal, Oil
2	800-6307	1	Bolt, Adjustment	10	185-2351	1	Pin, Spring
3	860-2032	1	Nut	11	506-0027	1	Spring, Return
4	185-2284	2	Gasket	12	150-2844	1	Gasket, Plate
5	185-5529	1	Nut	13	185-2390	2	Bolt
6	152-0379	1	Assy Plate, Control	14	185-9034	2	Stud
7	150-2841	1	Lever, Governor	15	185-7166	2	Nut, Flange
8	150-2852	1	Lever, Speed Control				

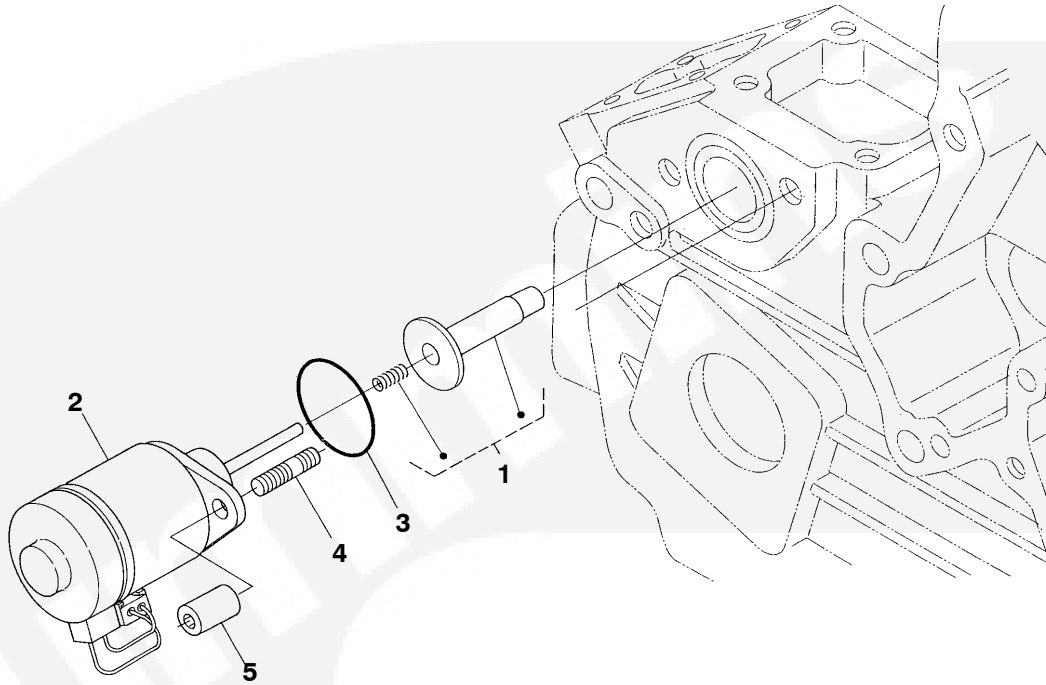
Speed Control (Begin Spec C)



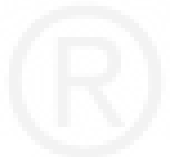
REF NO.	PART NO.	QTY USED	PART DESCRIPTION	REF NO.	PART NO.	QTY USED	PART DESCRIPTION
1	506-0028	1	Assy lever, Fork	6	800-6306	1	Bolt
2	150-2842	1	Lever, Fork	7	185-6759	1	Washer, Spring
3	150-2805	1	Shaft, Lever	8	800-6334	2	Bolt, Flange
4	150-2836	1	Holder, Fork Lever	9	185-5147	1	Bolt
5	800-6305	1	Bolt, Flange	10	148-1390	1	Spring, Governor



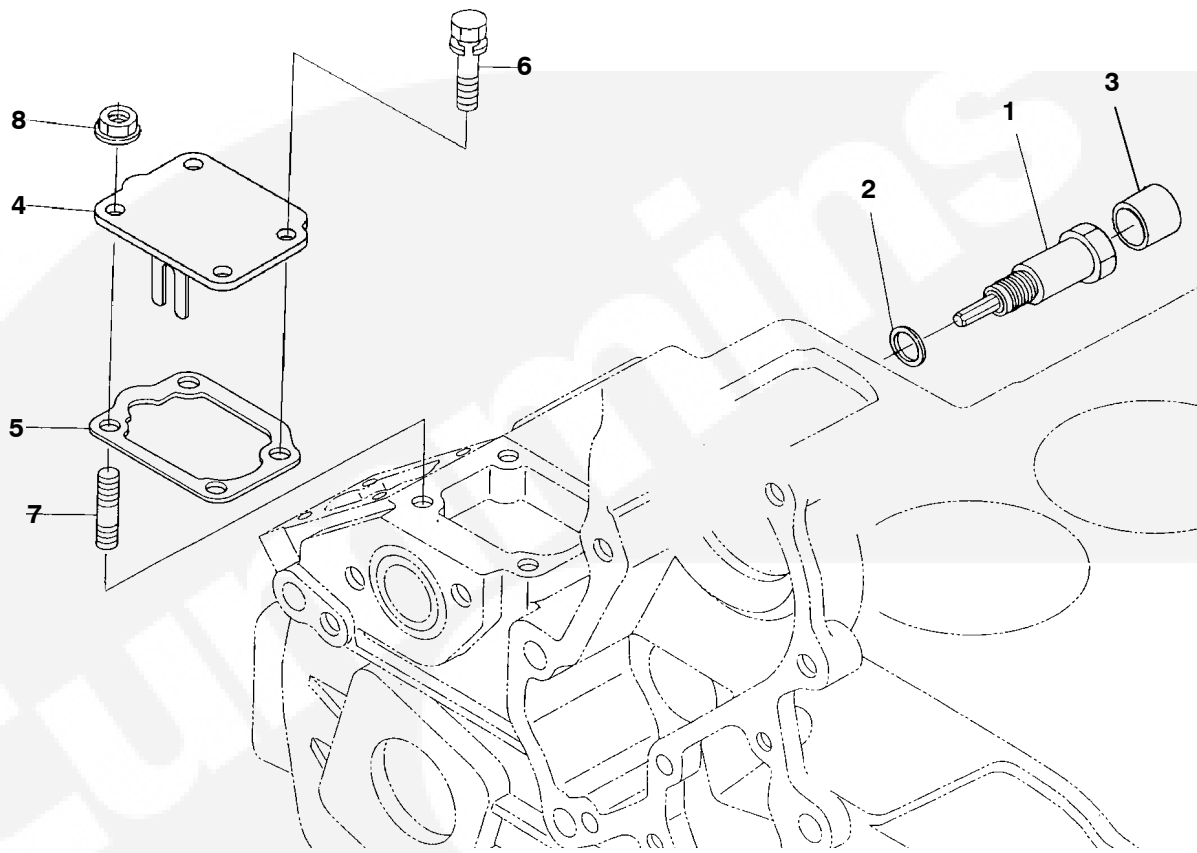
Stop Solenoid



REF NO.	PART NO.	QTY USED	PART DESCRIPTION	REF NO.	PART NO.	QTY USED	PART DESCRIPTION
1	150-2843	1	Comp Guide, Solenoid	4	181-9034	2	Stud
2	146-0909	1	Assy, Solenoid	5	860-2070	2	Nut
3	509-0409	1	O'Ring				



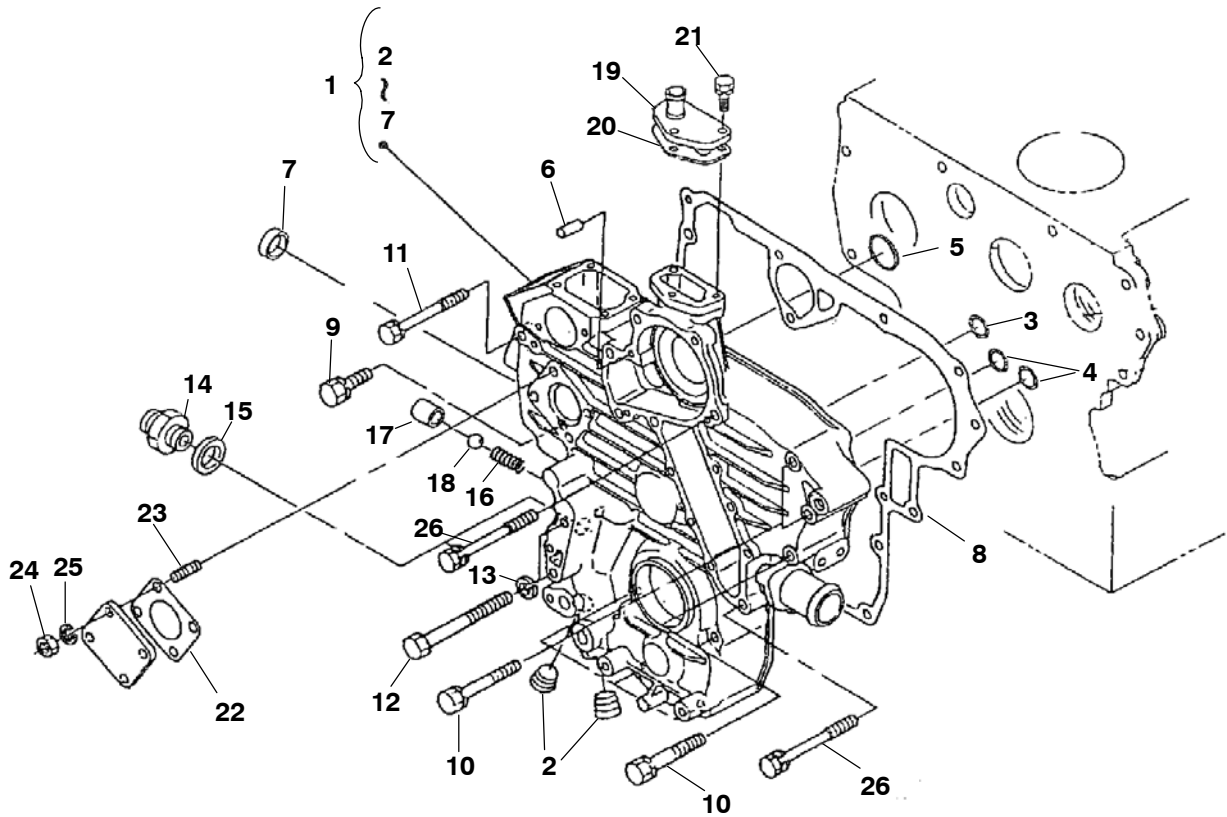
Idle Control (Begin Spec C)



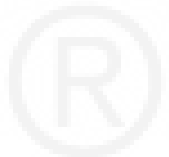
REF NO.	PART NO.	QTY USED	PART DESCRIPTION
1	150-2853	1	Apparatus, Idling
2	509-0418	1	Gasket
3	517-0374	1	Cap
4	103-0865	1	Cover
5	150-2844	1	Gasket, Plate
6	185-2388	2	Bolt
7	185-5727	2	Stud
8	185-7166	2	Nut



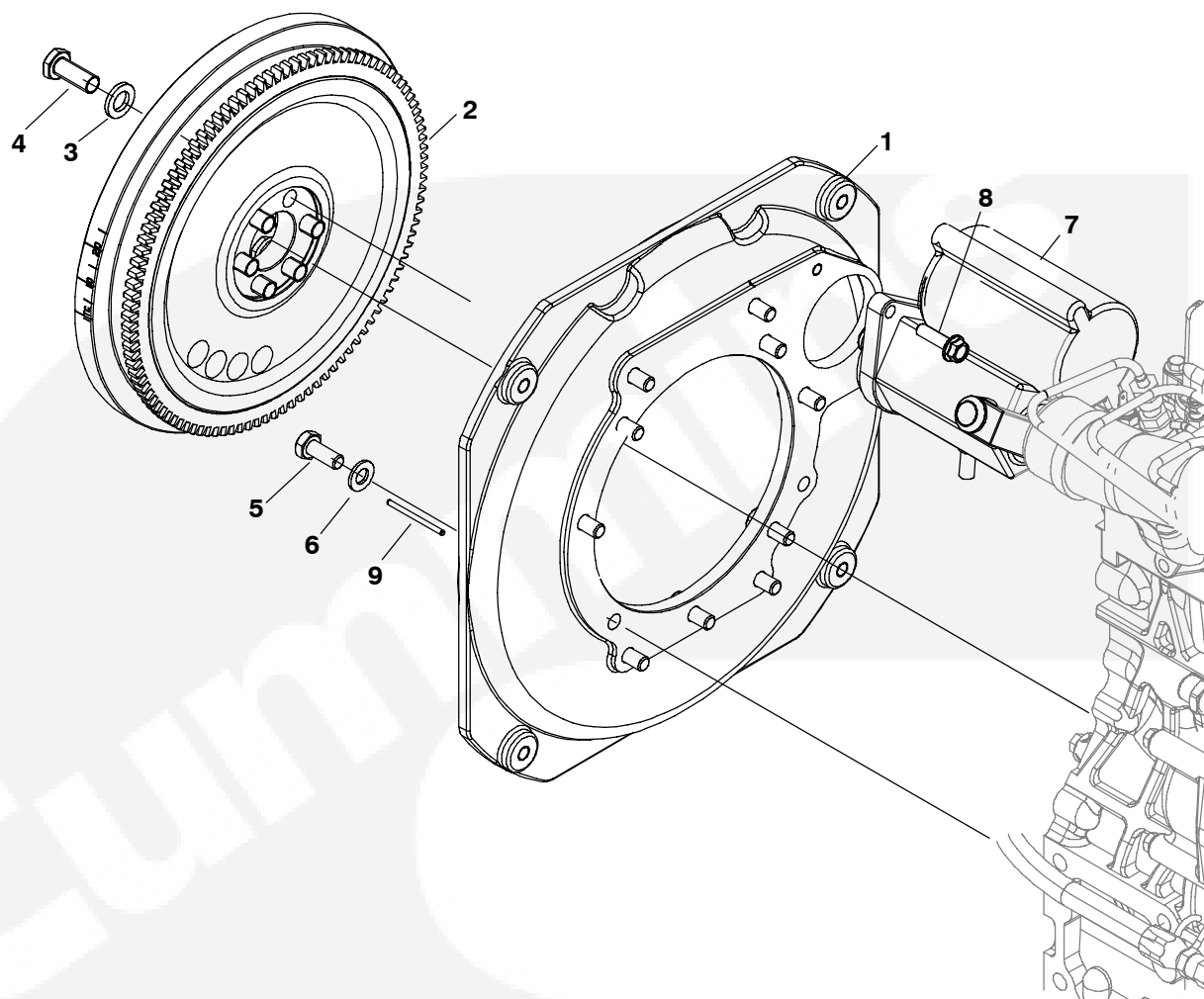
Gearcase



REF NO.	PART NO.	QTY USED	PART DESCRIPTION	REF NO.	PART NO.	QTY USED	PART DESCRIPTION
1	103-0833	1	Gearcase	14	505-2256	1	Joint, Pipe
2	185-6481	2	Plug	15	509-0415	1	Collar, Valve Seat
3	509-0410	1	O'Ring	16	185-5877	1	Spring
4	509-0412	2	O'Ring	17	185-5878	1	Seat, Valve
5	509-0413	1	O'Ring	18	185-6711	1	Ball
6	185-5843	2	Pin, Straight	19	185-5879	1	Flange, Water Return
7	517-0370	1	Cap, Seal	20			Gasket, Return Flange
8	103-0832	1	Gasket, Gear Case		132-0449	1	Spec A-B
9			Bolt		185-5880	1	Begin Spec C
	185-2565	1	Spec A-B	21	185-2390	3	Bolt
	800-6334	1	Begin Spec C	22	302-2084	1	Gasket, Hourmeter Unit
10			Bolt	23	185-2105	4	Stud
	185-6713	1	Spec A-B	24	185-4255	4	Nut
	800-6546	1	Begin Spec C	25	185-6759	4	Washer, Spring
11			Bolt	26			Bolt
	185-6961	1	Spec A-B		185-5874	4	Spec A-B
	800-6543	1	Begin Spec C		815-1599	4	Begin Spec C
12	185-7120	2	Bolt				
13	185-6957	2	Washer, Spring (Spec A-B)				

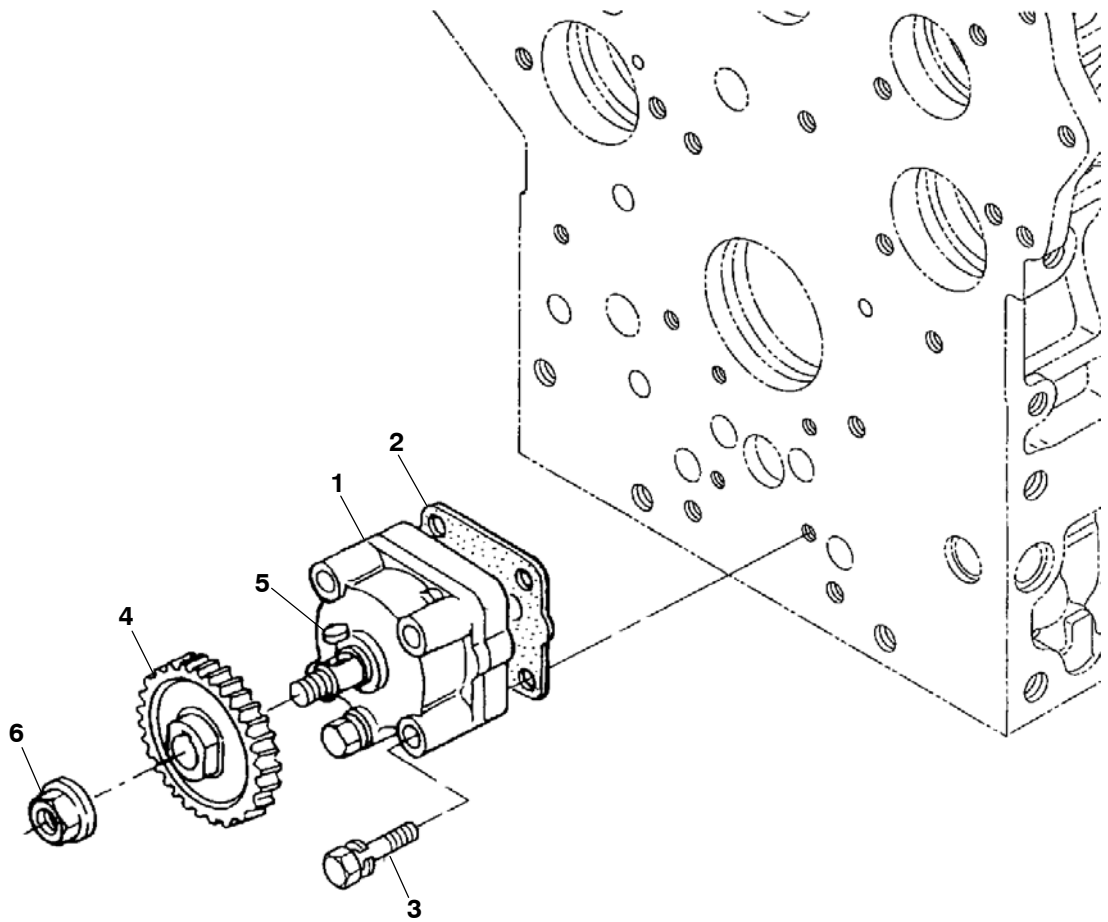


Flywheel



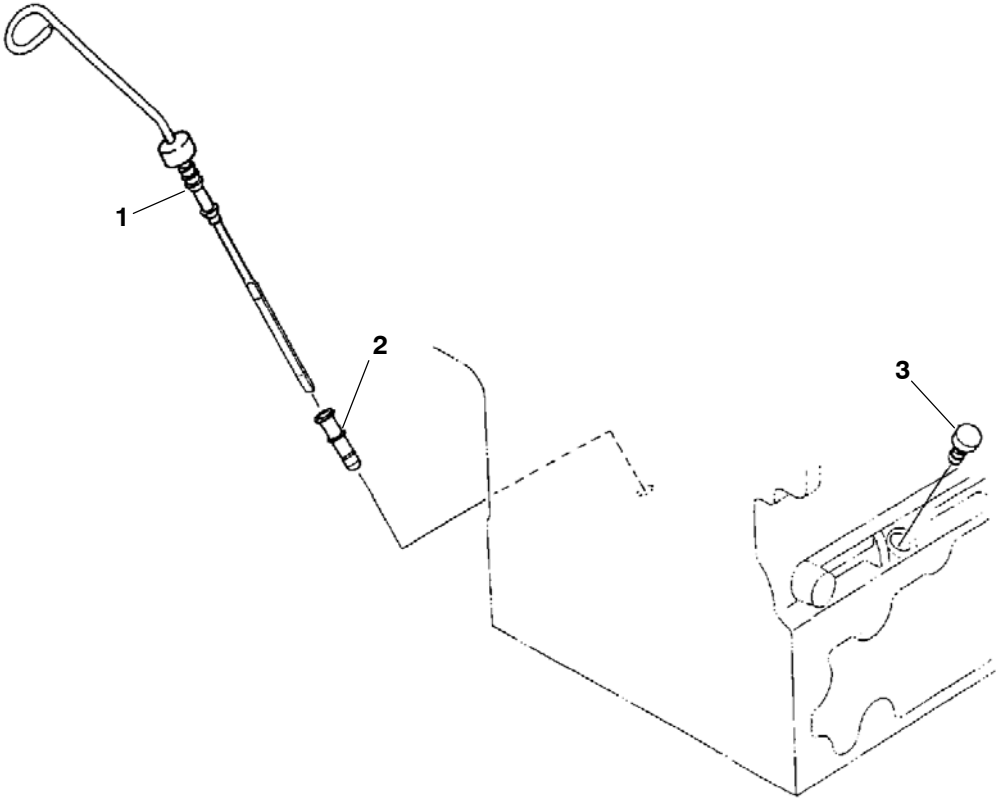
REF NO.	PART NO.	QTY USED	PART DESCRIPTION	REF NO.	PART NO.	QTY USED	PART DESCRIPTION
1	104-2022	1	Housing, Flywheel	5	815-0600	11	Screw, Lock Head Flange (M10 x 1.5 x 25mm)
2	104-2020	1	Flywheel	6	740-1008	11	Washer, Flat (M10)
	104-2132	1	Spec A-B Begin Spec C	7	191-2229	1	Starter
3	526-0399-64	6	Washer (M12)	8	815-0954-03	2	Screw, Flange Head Mach (M8 x 30mm)
4	800-3032	6	Screw, Hex Head (12 x 1.25 x 30mm)	9	516-0247	1	Pin, Dowel

Oil Pump



REF NO.	PART NO.	QTY USED	PART DESCRIPTION	REF NO.	PART NO.	QTY USED	PART DESCRIPTION
1	185-5848	1	Assy Pump, Oil (Includes Parts Marked *)	5	185-2352	1	*Key, Feather
2	185-5849	1	*Gasket, Oil Pump	6	185-7031	1	*Nut, Flange
3	185-7069	4	*Bolt				
4	185-5851	1	*Gear, Oil Pump Drive				* - Parts Included in Oil Pump Assy.

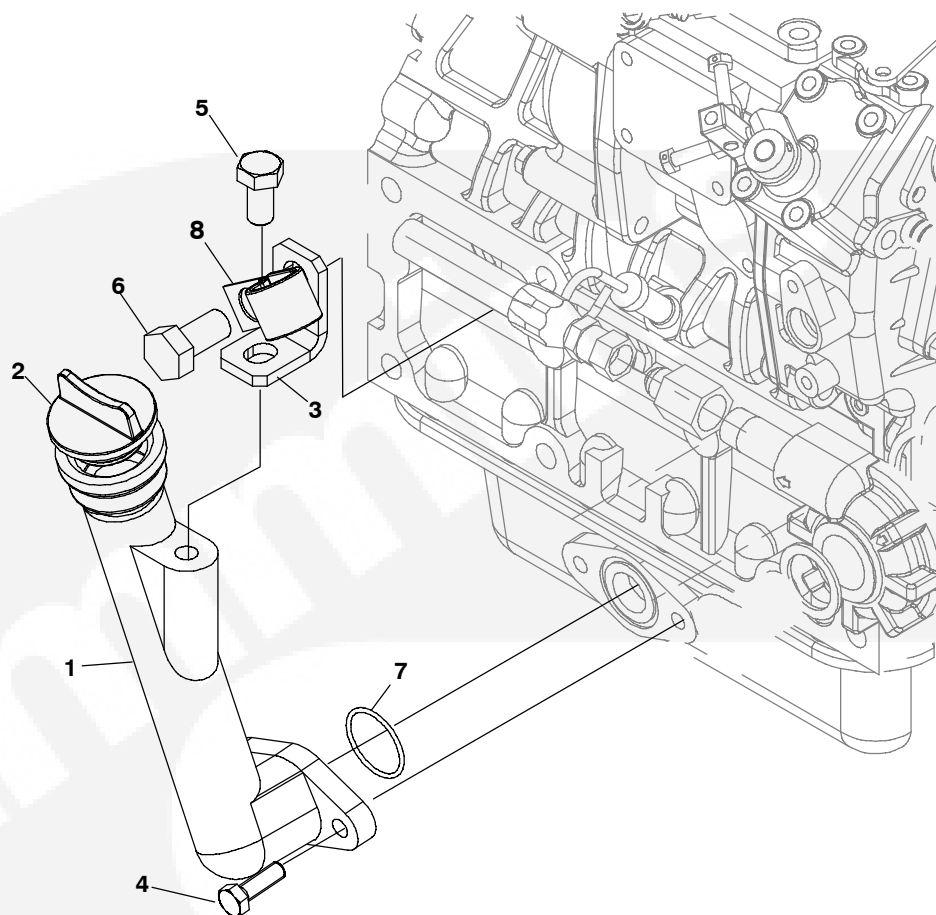
Oil Dipstick



REF NO.	PART NO.	QTY USED	PART DESCRIPTION
1	123-2265	1	Gauge, Oil
2	123-2262	1	Guide, Oil Gauge
3	517-0371	1	Plug, Oil Gauge
	181-9231	1	Spec A-B Begin Spec C



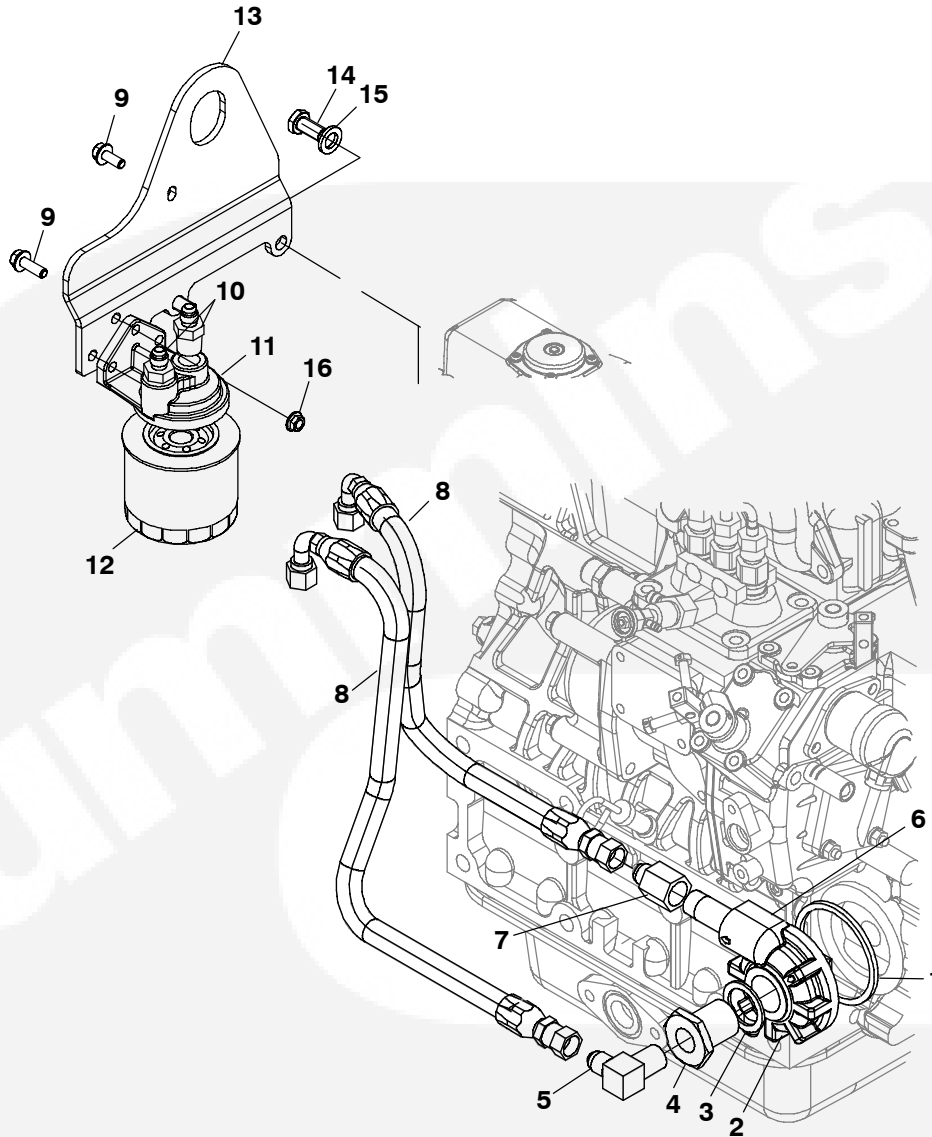
Oil Fill



REF NO.	PART NO.	QTY USED	PART DESCRIPTION	REF NO.	PART NO.	QTY USED	PART DESCRIPTION
1	123-2253	1	Tube, Oil Fill	6	800-3031	1	Screw, Hex Head
2	185-2093	1	Cap, Oil Fill	7	123-2254	1	Gasket, Oil Fill
3	405-5508-SO	1	Bracket, Engine	8	332-2921	1	Clamp
4	718-1035	2	Screw, Hex Head				
5	800-3004	1	Screw, Hex Head				

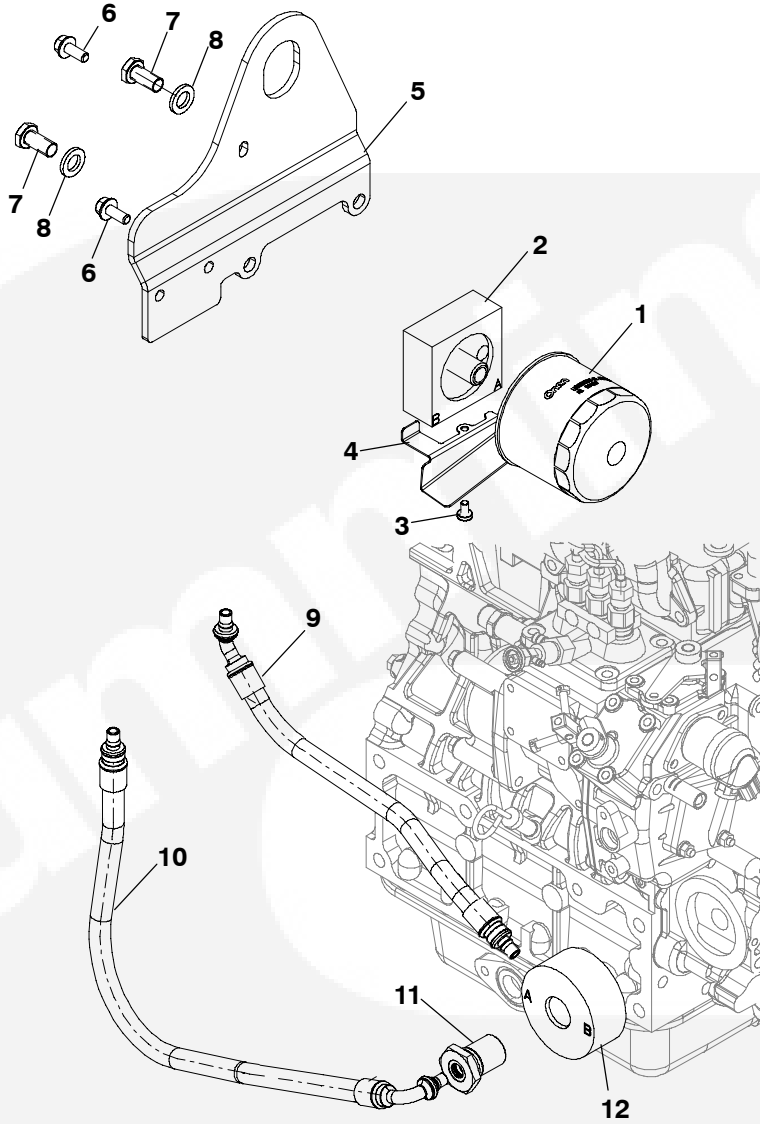


Remote Oil Filter (Spec A-B)



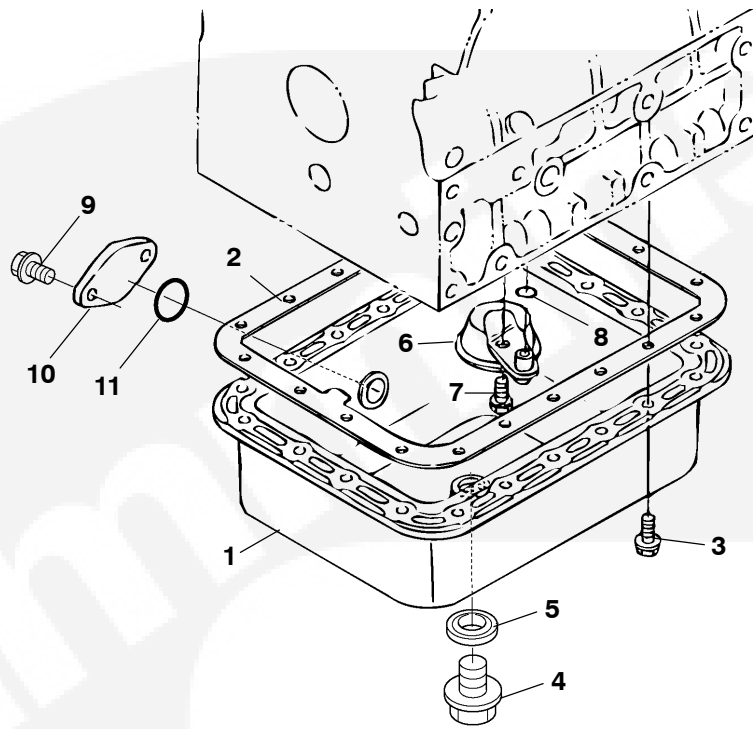
REF NO.	PART NO.	QTY USED	PART DESCRIPTION	REF NO.	PART NO.	QTY USED	PART DESCRIPTION
1	122-0886	1	Gasket, Oil Filter	10	502-0804	2	Connector, Male
2	122-0882	1	Adapter, Oil Filter	11	122-0476	1	Base, Remote Filter
3	122-0884	1	Gasket, Oil Filter	12	122-0893	1	Filter, Oil
4	122-0883	1	Adapter, Oil Filter (Nut)	13	403-5451-02	1	Plate, Lifting
5	502-1505	1	Elbow, Tube	14	800-3033	1	Screw, Hex Head Cap (M12 x 1.25 x 25mm)
6	505-0139	1	Nipple, Pipe (3/8 NPT x 2")	15	526-0399-64	1	Washer, Flat (M12)
7	502-1506	1	Adapter, Tube	16	870-2055	3	Nut, Locking Flange (M8 x 1.25mm)
8	501-0848	2	Hose, Remote Oil Fill				
9	815-0954-02	3	Screw, Flange Head Mach (M8 x 25mm)				

Remote Oil Fill (Begin Spec C)

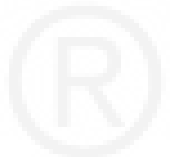


REF NO.	PART NO.	QTY USED	PART DESCRIPTION	REF NO.	PART NO.	QTY USED	PART DESCRIPTION
1	122-0893	1	Filter, Oil	7	800-3033	8	Screw, Hex Head Cap (M12 x 1.25 x 25mm)
2	122-0914	1	Head, Oil Filter	8	526-0399-64	2	Washer, Flat (M12)
3	823-1002-03	1	Screw, Pan Head Torx (M6 x 10mm)	9	503-2971	1	Hose, Oil
4	120-1386	1	Bracket, Oil Drain	10	503-2970	1	Hose, Oil
5	403-6764-02	1	Plate, Lifting	11	122-0916	1	Adapter, Oil Filter (Nut)
6	815-0954-02	1	Screw, Flanged Head (M8 x 1.25 x 20mm)	12	122-0915	1	Adapter, Oil Filter

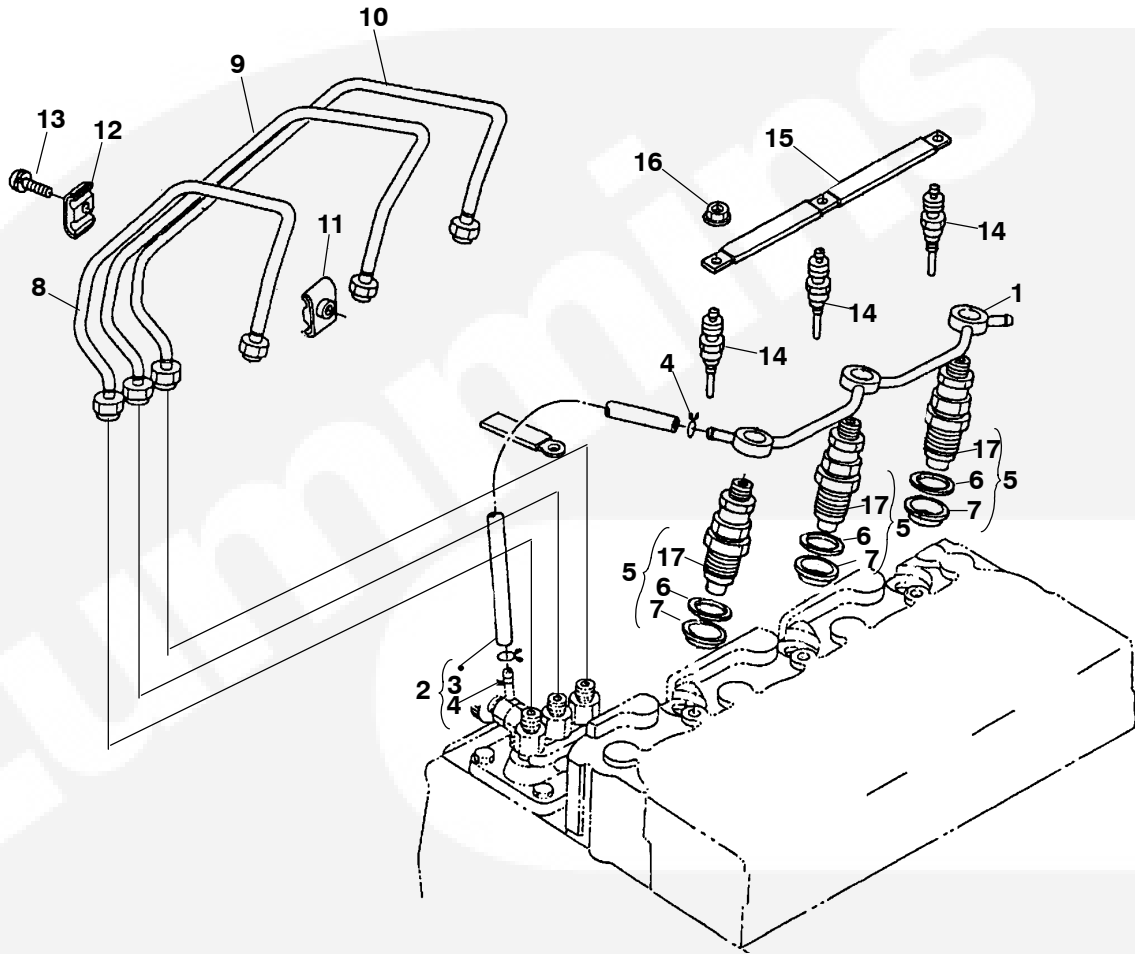
Oil Base



REF NO.	PART NO.	QTY USED	PART DESCRIPTION	REF NO.	PART NO.	QTY USED	PART DESCRIPTION
1			Pan, Oil (Includes Plug and O'Ring)	6	185-6728	1	Filter, Oil
	185-6953	1	Spec A-B	7		1	Bolt
	102-1572	1	Begin Spec C		185-6956	1	Spec A-B
2	102-1523	1	Gasket, Oil Pan		185-2976	1	Begin Spec C
3			Bolt, Flange	8	509-0411	1	O'Ring
	800-6340	20	Spec A-B	9	800-6542	2	Bolt, Flange
	800-6547	20	Begin Spec C	10	102-1574	1	Cover
4	185-6046	1	Plug	11	185-6392	1	O'Ring
5	185-5495	1	Gasket				

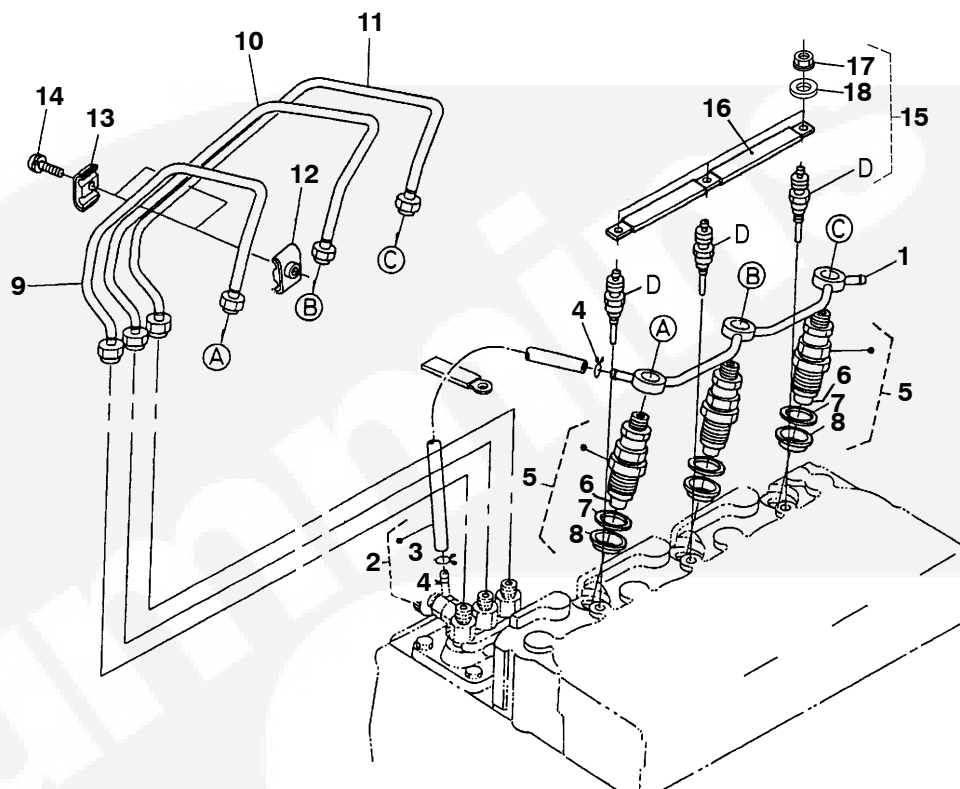


Nozzle Holder and Glow Plug(Spec A-B)



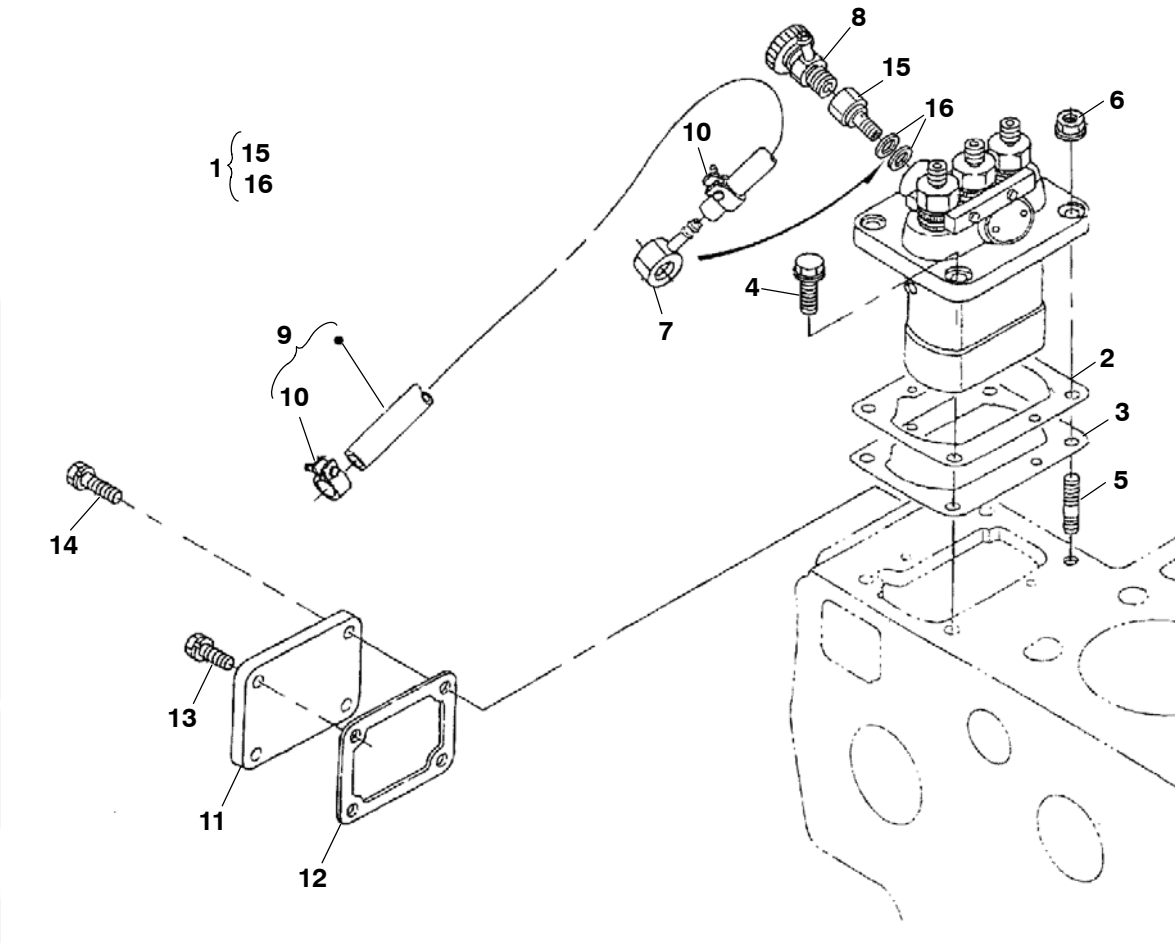
REF NO.	PART NO.	QTY USED	PART DESCRIPTION	REF NO.	PART NO.	QTY USED	PART DESCRIPTION
1	185-7003	1	Assy, Overflow Pipe	10	501-0885	1	Pipe, Injection
2	185-6981	1	Assy, Overflow Pipe	11	185-5612	2	Clamp, Pipe
3	185-5608	1	Clip, Pipe	12	185-2345	2	Clamp, Pipe
4	185-6093	1	Clip, Pipe	13	185-2385	2	Screw, w/Washer
5	185-7008	3	Holder, Nozzle	14	185-5990	3	Plug, Glow
6	185-5337	3	Gasket	15	337-3739	1	Cord, Glow Plug
7	185-5985	3	Seal, Heat	16	185-5615	3	Nut, Flange
8	501-0884	1	Pipe, Injection	17	185-7006	3	Piece, Nozzle
9	501-0885	1	Pipe, Injection				

Nozzle Holder and Glow Plug (Begin Spec C)



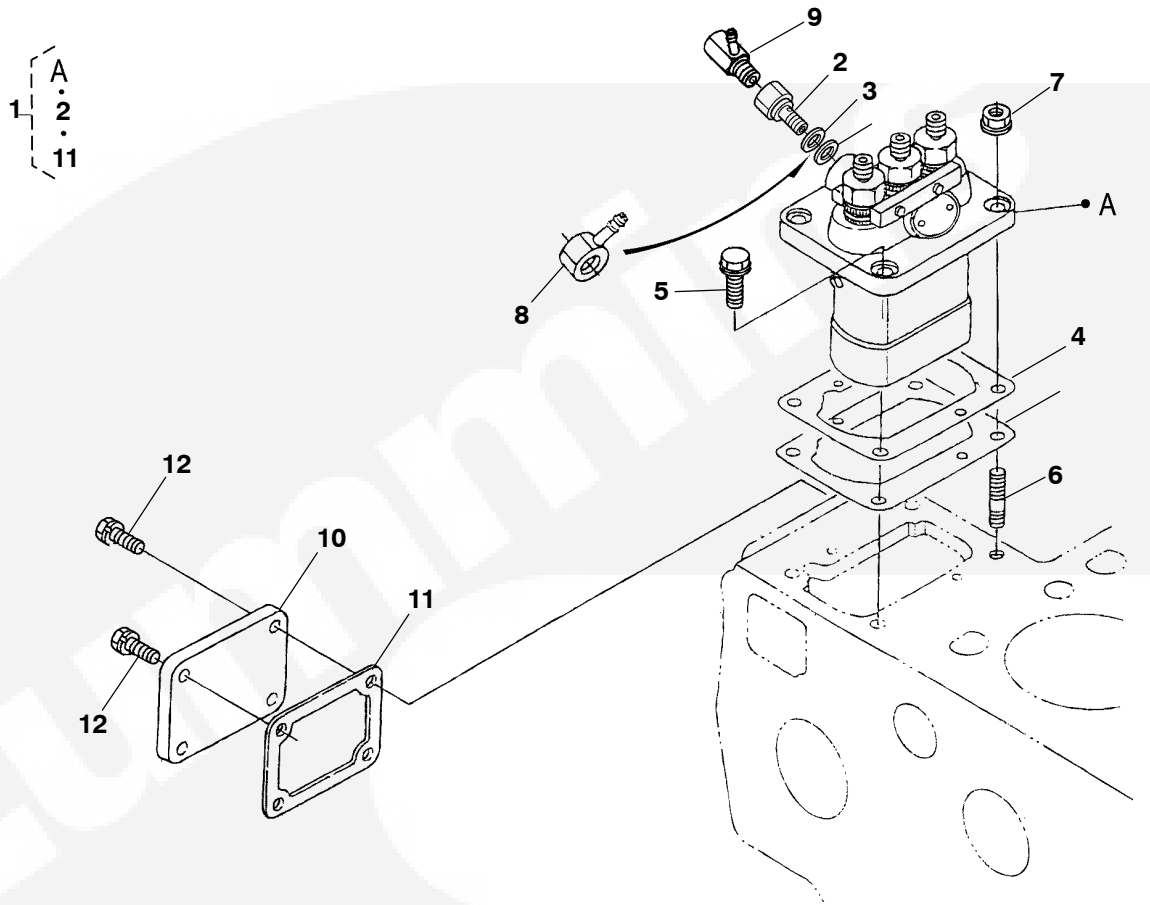
REF NO.	PART NO.	QTY USED	PART DESCRIPTION	REF NO.	PART NO.	QTY USED	PART DESCRIPTION
1	185-7003	1	Assy, Overflow Pipe	10	501-0885	1	Pipe, Injection
2	185-6981	1	Assy, Overflow Pipe	11	501-0886	1	Pipe, Injection
3	185-5608	1	Clip, Pipe	12	185-5612	2	Clamp, Pipe
4	185-6093	1	Clip, Pipe	13	185-2345	2	Clamp, Pipe
5	185-7008	3	Holder, Nozzle	14	185-2385	2	Screw, w/Washer
6	185-7006	3	Piece, Nozzle	15	185-5990	3	Plug, Glow
7	185-5337	3	Gasket	16	337-3739	1	Cord, Glow Plug
8	185-5985	3	Seal, Heat	17	185-5615	3	Nut, Flange
9	501-0884	1	Pipe, Injection	18	185-7004	3	Washer, Plain

Injection Pump Components (Spec A-B)



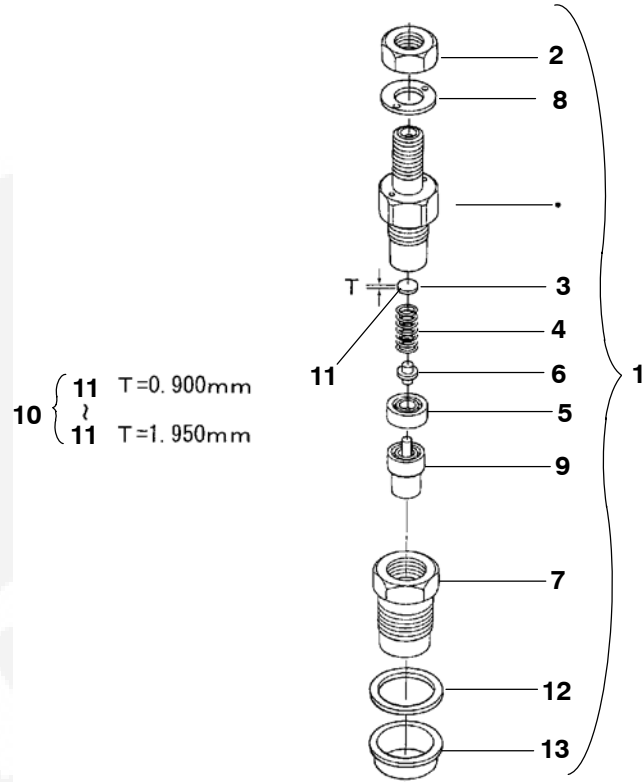
REF NO.	PART NO.	QTY USED	PART DESCRIPTION	REF NO.	PART NO.	QTY USED	PART DESCRIPTION
1	147-0892	1	Pump, Injection	8	505-2258	1	Orifice
2	185-6987	1	Shim, Injector Pump	9	185-5979	1	Pipe, Fuel
	185-6988	1	.20mm	10	503-0731	2	Clip, Pipe
	185-6989	1	.25mm	11	152-0373	1	Cover, Injector Pump
3	185-6989	1	Shim, Injector Pump	12	101-0837	1	Gasket, Pump Cover
4	800-6333	2	Bolt, Flange	13	185-2388	2	Bolt
5	185-2106	2	Stud	14	185-2389	2	Bolt
6	185-7134	2	Nut, Flange	15	505-2251	1	Screw, Follow
7	185-6991	1	Joint, Eye	16	185-6996	2	Gasket

Injection Pump Components (Begin Spec C)



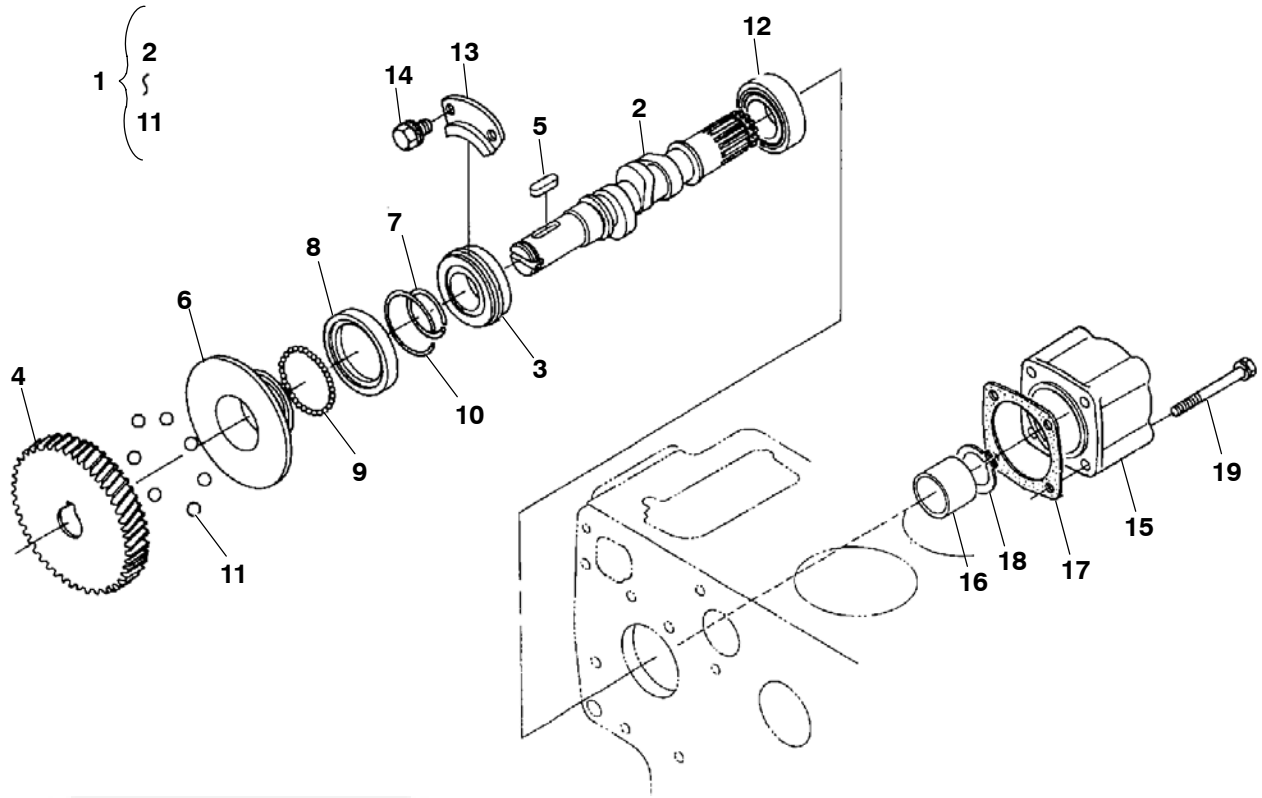
REF NO.	PART NO.	QTY USED	PART DESCRIPTION	REF NO.	PART NO.	QTY USED	PART DESCRIPTION
1	147-0892	1	Pump, Injection	5	800-6333	2	Bolt, Flange
2	185-6998	1	Screw, Hollow	6	185-2106	2	Stud
3	185-6996	1	Gasket	7	185-7134	2	Nut, Flange
4			Shim, Injector Pump	8	185-6991	1	Joint, Eye
	147-0985	1	.175mm	9	505-2258	1	Orifice
	185-6987	1	.200mm	10	152-0373	1	Cover, Injection Pipe
	185-6988	1	.250mm	11	101-0837	1	Gasket, Pump Cover
	185-6989	1	.300mm	12	185-2388	2	Bolt

Injection Nozzle Components



REF NO.	PART NO.	QTY USED	PART DESCRIPTION	REF NO.	PART NO.	QTY USED	PART DESCRIPTION
1	185-7008	3	Holder, Nozzle		185-5381	3	1.325mm
2	185-5616	3	Nut		185-5382	3	1.350mm
3	185-5364	3	Washer, Adjusting		185-5383	3	1.375mm
4	185-5617	3	Spring, Nozzle		185-5384	3	1.400mm
5	185-5618	3	Piece, Distance		185-5385	3	1.425mm
6	185-5619	3	Push, Rod		185-5386	3	1.450mm
7	185-6825	3	Nut, Nozzle		185-5387	3	1.475mm
8	185-5621	3	Washer		185-5388	3	1.500mm
9	185-7006	3	Piece, Nozzle		185-5389	3	1.525mm
10	185-5363	3	Washer, Adjust		185-5390	3	1.550mm
11			Washer, Adjust		185-5391	3	1.575mm
	185-5364	3	0.900mm		185-5392	3	1.600mm
	185-5365	3	0.925mm		185-5393	3	1.625mm
	185-5366	3	0.950mm		185-5394	3	1.650mm
	185-5367	3	0.975mm		185-5395	3	1.675mm
	185-5368	3	1.000mm		185-5396	3	1.700mm
	185-5369	3	1.025mm		185-5397	3	1.725mm
	185-5370	3	1.050mm		185-5398	3	1.750mm
	185-5371	3	1.075mm		185-5399	3	1.775mm
	185-5372	3	1.100mm		185-5400	3	1.800mm
	185-5373	3	1.125mm		185-5401	3	1.825mm
	185-5374	3	1.150mm		185-5402	3	1.850mm
	185-5375	3	1.175mm		185-5403	3	1.875mm
	185-5376	3	1.200mm		185-5404	3	1.900mm
	185-5377	3	1.225mm		185-5405	3	1.925mm
	185-5378	3	1.250mm		185-5406	3	1.950mm
	185-5379	3	1.275mm	12	185-5337	3	Gasket
	185-5380	3	1.300mm	13	185-5985	3	Seal, Heat

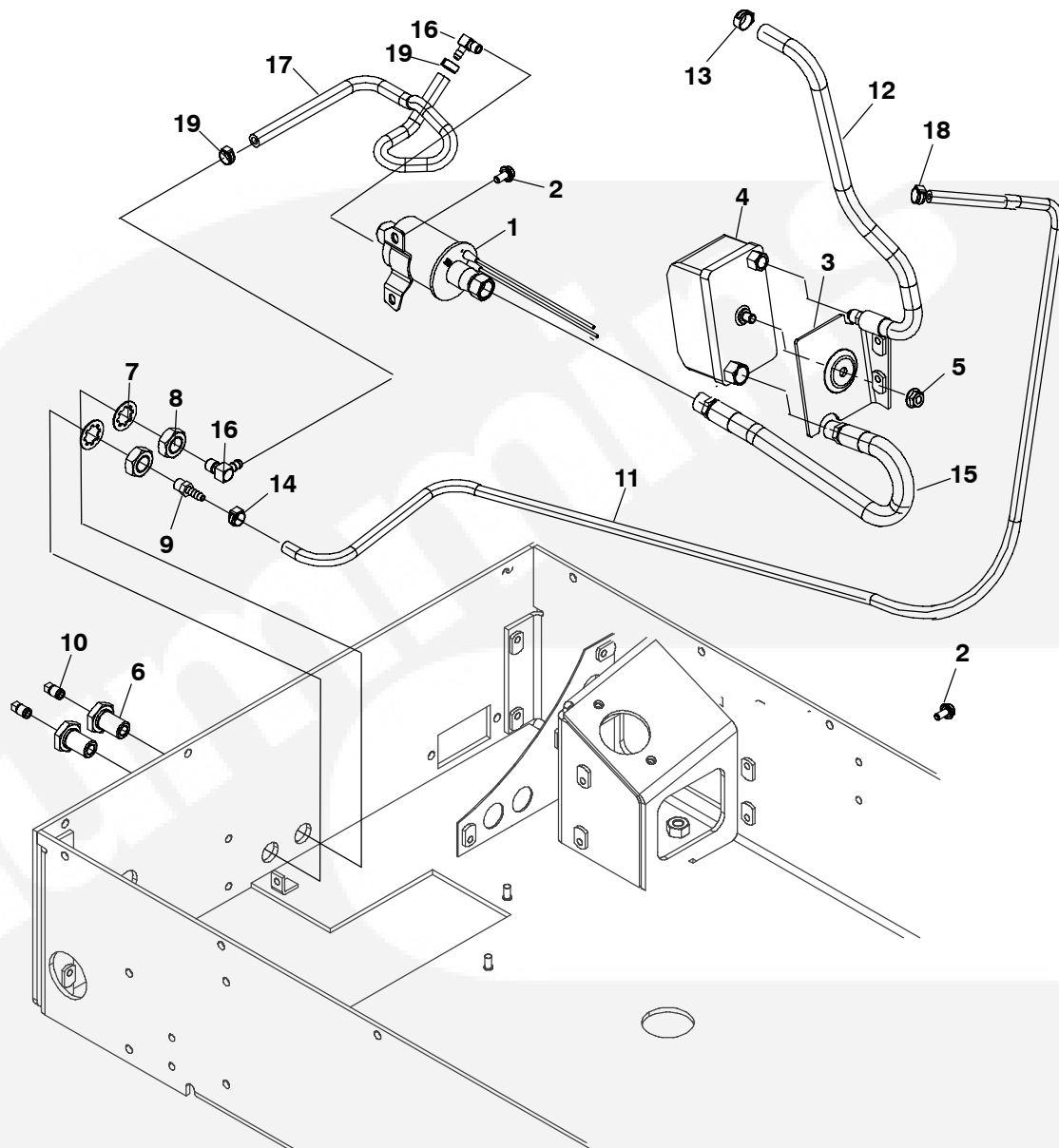
Fuel Camshaft



REF NO.	PART NO.	QTY USED	PART DESCRIPTION	REF NO.	PART NO.	QTY USED	PART DESCRIPTION
1	150-2838	1	Assy,Camshaft Fuel Spec A-B	10	518-0713	1	Circle Clip
	105-0773	1	Begin Spec C	11	105-0741	7	Ball
2	150-2839	1	Camshaft, Fuel	12	510-0214	1	Bearing, Ball
3	185-5947	1	Bearing, Ball	13	185-5962	1	Stopper, Fuel Camshaft
4			Gear, Injection Pump	14	185-6956	2	Bolt
	147-0882	1	Spec A-B	15	185-6772	1	Cover, Fuel Camshaft
	147-0984	1	Begin Spec C	16	150-2837	1	Collar
5	185-5949	1	Key, Feather	17			Gasket
6	150-2798	1	Sleeve, Governor		150-2848	1	Spec A-B
7	518-0712	1	Circle Clip, Governor Sleeve		150-2993	1	Begin Spec C
8	150-2800	1	Case, Governor Ball	18	185-5963	1	Circle Clip, External
9	105-0740	39	Ball	19	185-6773	1	Bolt

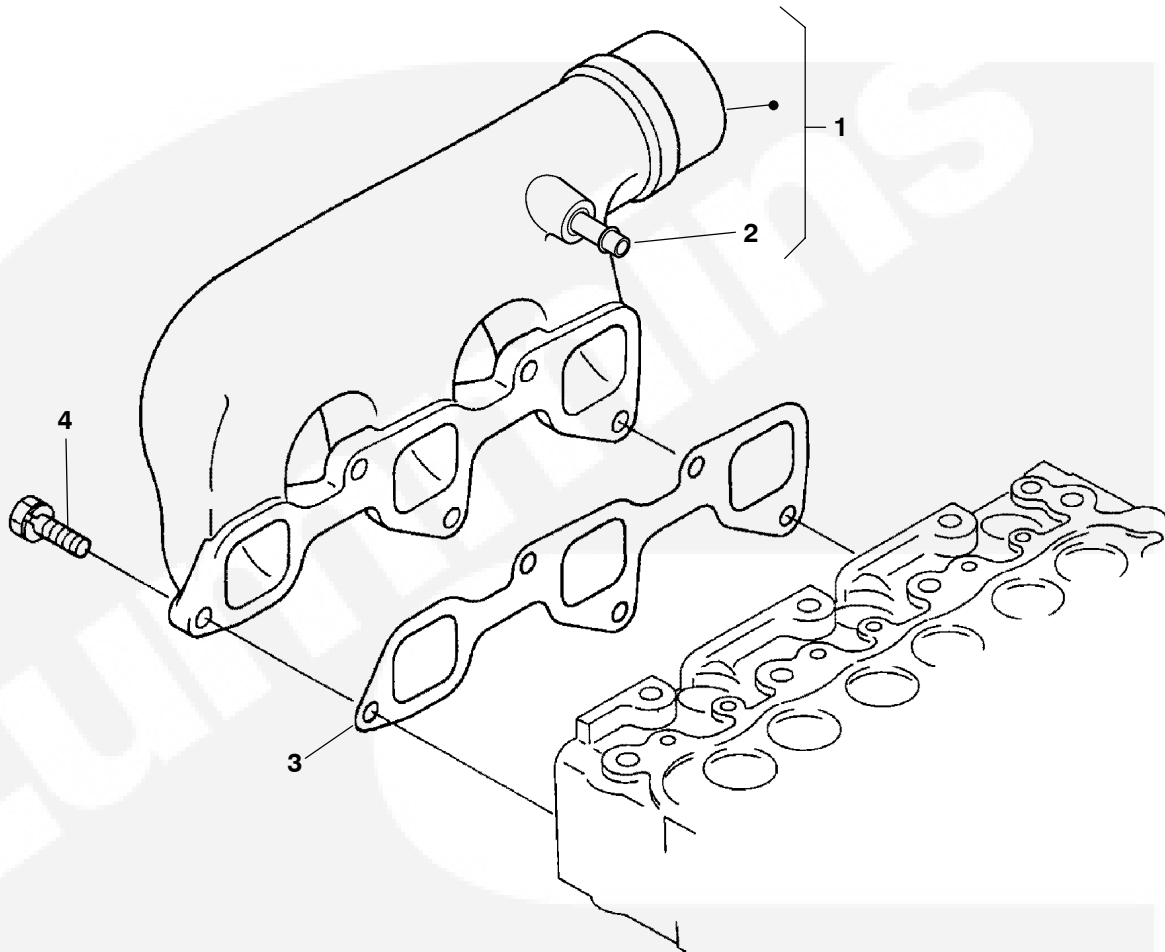


Fuel System



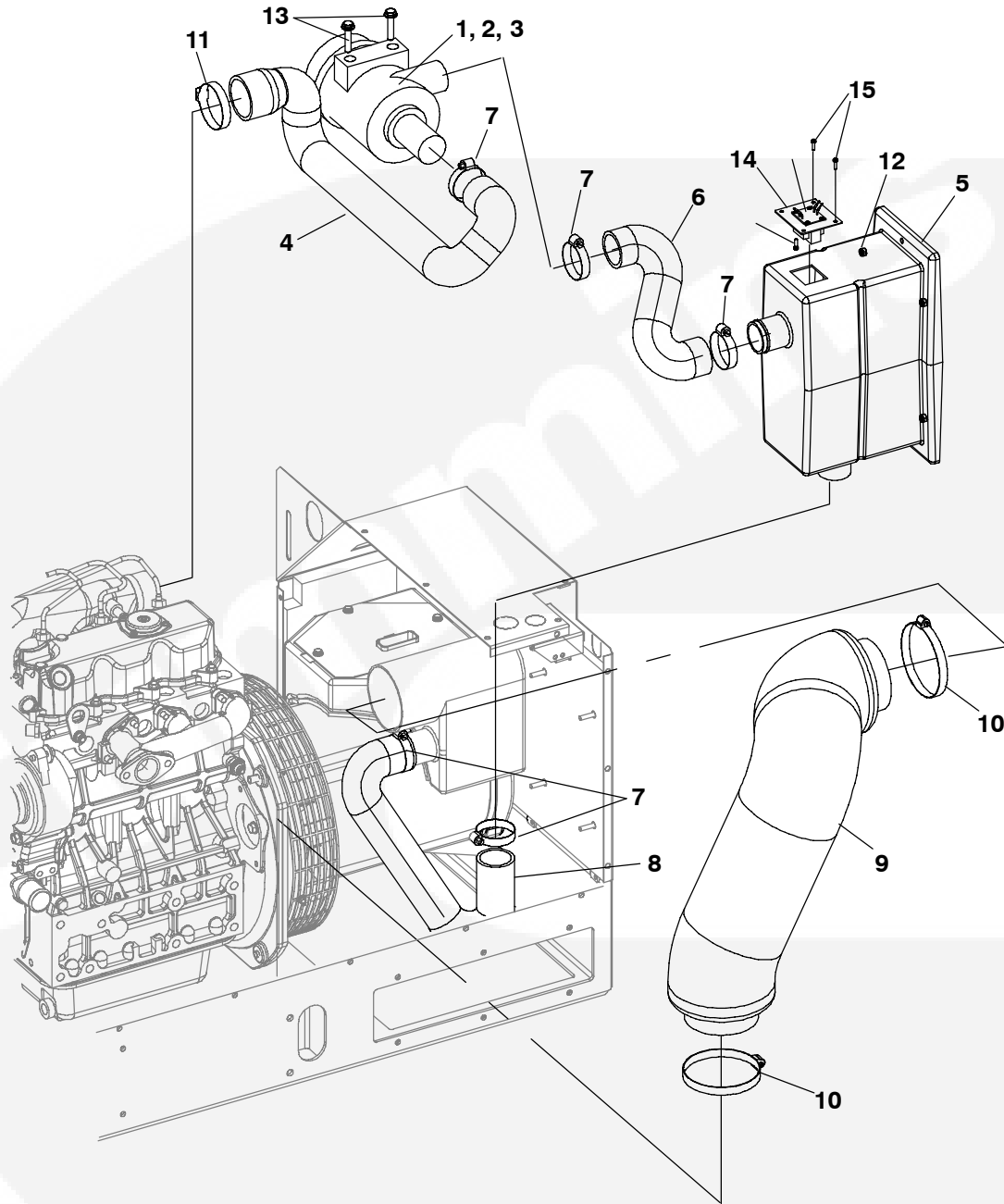
REF NO.	PART NO.	QTY USED	PART DESCRIPTION	REF NO.	PART NO.	QTY USED	PART DESCRIPTION
1	149-2790	1	Pump, Fuel	10	517-0273	2	Plug, Pipe
2	821-2096-02	4	Screw, Locking Flange Head (M6 x 1 x 12mm)	11	503-2078	1	Hose, Fuel
3	149-2726-02	1	Bracket, Fuel Filter	12	149-2580-02	1	Line, Fuel Injector Pump
4	149-2513	1	Filter, Fuel	13	503-1951-13	1	Clamp, Hose
5	870-0257	1	Nut, Self Locking Flange (5/16-18)	14	503-1951-09	2	Clamp, Hose
6	502-1296-02	2	Fitting, Bulkhead	15	501-0804-01	1	Line, Fuel
7	854-0028	2	Washer, IT Lock (5/8")	16	502-0313	2	Elbow, 90° Degrees
8	868-0007	2	Nut, Hex Jam (5/8-18)	17	503-2052	1	Hose, Fuel
9	502-1299	1	Connector, Hose	18	503-1952-06	1	Clamp, Hose
				19	503-1951-12	2	Clamp, Hose

Exhaust Manifold



REF NO.	PART NO.	QTY USED	PART DESCRIPTION	REF NO.	PART NO.	QTY USED	PART DESCRIPTION
1	154-3289	1	Manifold Inlet	3	154-3188	1	Gasket, Inlet Manifold
2	185-6103	1	Pipe, Water Return	4	185-2402	5	Bolt

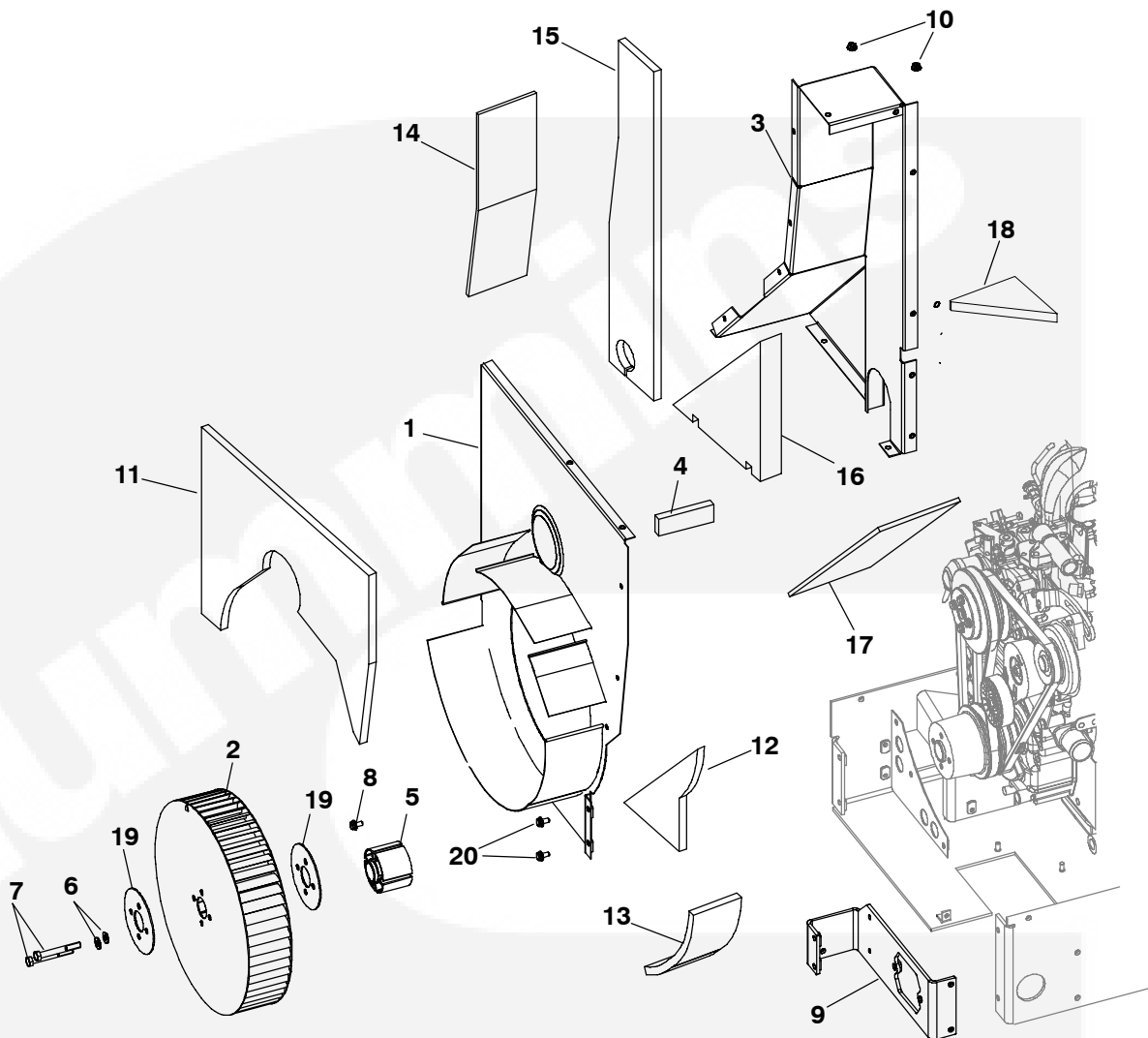
Air Intake System



REF NO.	PART NO.	QTY USED	PART DESCRIPTION	REF NO.	PART NO.	QTY USED	PART DESCRIPTION
1	140-3050	1	Cleaner, Air (Includes Parts Marked *)	11	503-1142	1	Clamp, Hose
2	140-3072	1	*Cover, Cleaner	12	870-0506	5	Nut, Nylon Locking (M6)
3	140-3071	1	*Cleaner, Element	13	821-2097-06	2	Screw, Lock Flange (M8 x 1.25 x 40mm)
4	503-2497	1	Hose, Intake	14	315-1650-02	1	Plate, Transformer
5	140-3519-01	1	Resonator, Intake	15	815-0888	4	Screw, Pan Head (SDT)
6	503-2436	1	Hose, Air	16	315-0899	1	Transformer, Current
7	503-1141	5	Clamp, Hose	17	818-0247-01	4	Rivet, Pop
8	503-2435	1	Hose, Air (Generator)				
9	503-2446	1	Hose, Intake				
10	503-1148	2	Clamp, Hose				

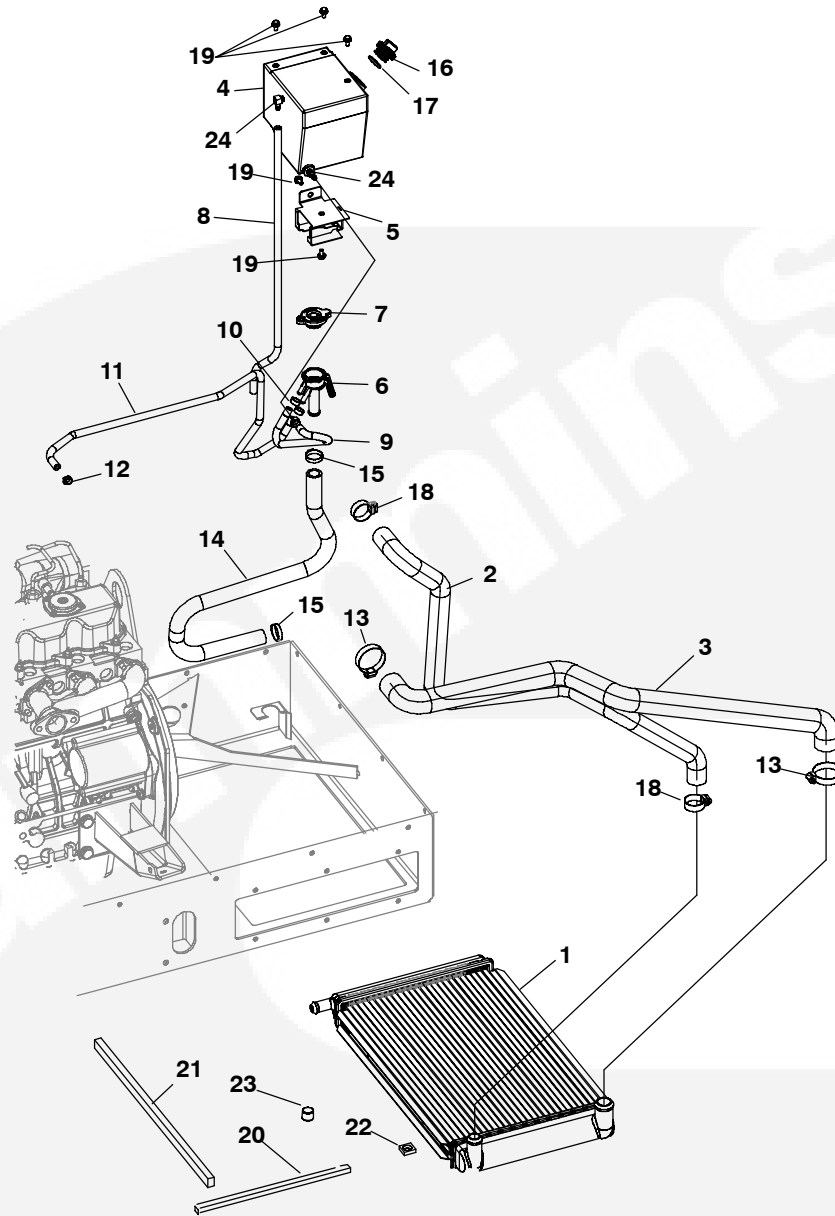
* - Parts included in Air Cleaner.

Fan Mounting



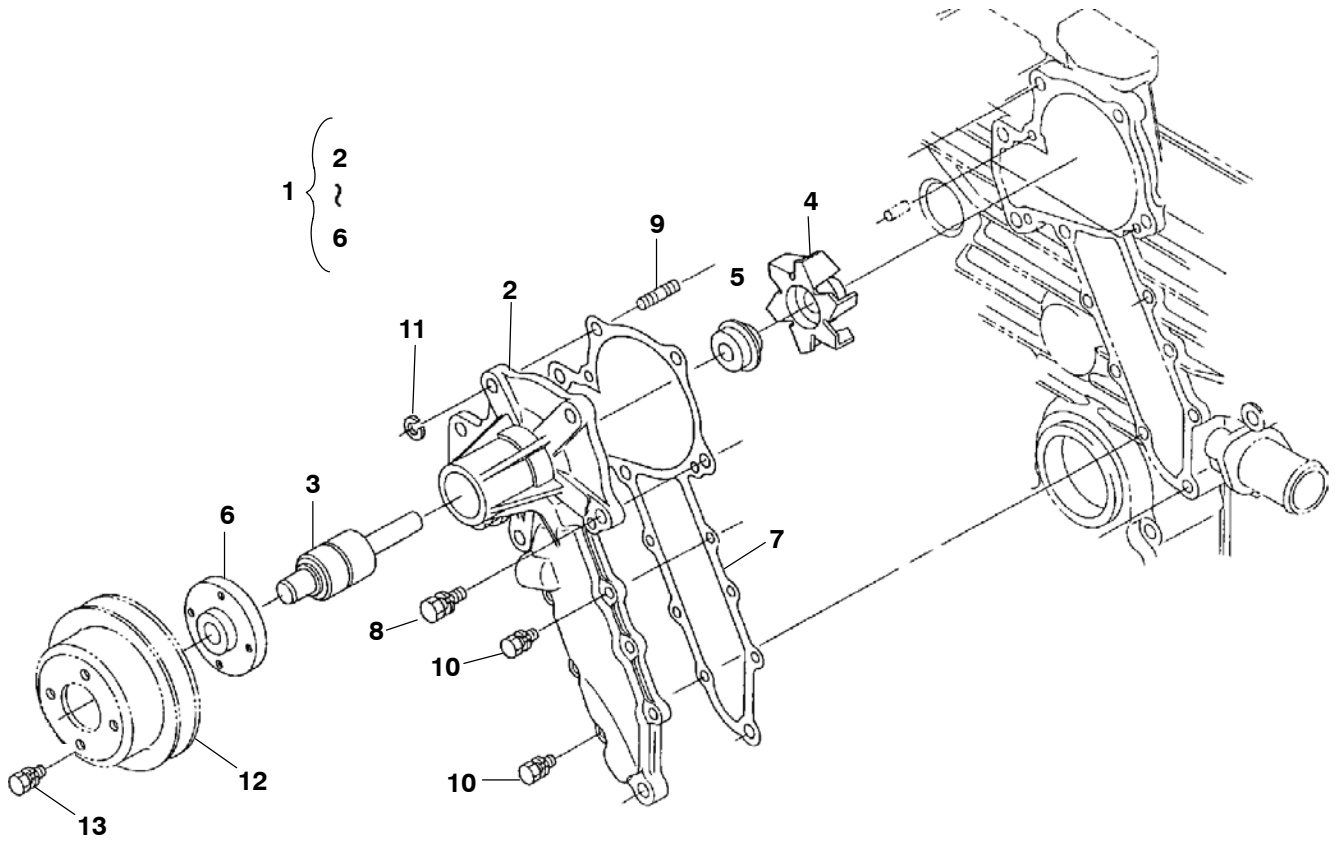
REF NO.	PART NO.	QTY USED	PART DESCRIPTION	REF NO.	PART NO.	QTY USED	PART DESCRIPTION
1	405-8238-02	1	Baffle, Air	11	405-8500	1	Insulation, Baffle
2	130-4748	1	Fan, Sucker	12	405-8499	1	Insulation, Outlet (Duct)
3	405-9540-02	1	Duct, Air	13	405-8285	1	Insulation, Outlet
4	405-8489	1	Insulation, Duct	14	405-9150	1	Insulation, Outlet
5	130-1872	1	Spacer, Fan	15	405-9148	1	Insulation, Outlet (Duct)
6	740-1006	4	Washer, Flat (M8)	16	405-9149	1	Insulation, Outlet (Duct)
7	800-2066	4	Screw, Hex Head (M8 x 1.25 x 65mm)	17	405-8491	1	Insulation, Outlet (Duct)
8	821-2096-02	12	Screw, Locking Flange (M6 x 1 x 12mm)	18	405-9578	1	Insulation, Outlet (Duct)
9	403-5450-02	1	Plate, Bulkhead	19	205-0320-02	2	Backplate, Fan (Begin Spec B)
10	870-2054	3	Nut, Locking, Flange (M6 x 1)	20	821-2096-03	7	Screw, Locking Flange (M6 x 1 x 16mm)

Cooling System



REF NO.	PART NO.	QTY USED	PART DESCRIPTION	REF NO.	PART NO.	QTY USED	PART DESCRIPTION
1	130-6171	1	Radiator	14	503-2554	1	Hose, Fill
2	503-2500	1	Hose, Coolant	15	503-1951-35	2	Clamp, Hose
3	503-2501	1	Hose, Coolant	16	130-4450-02	1	Cap, Push-On
4	130-8174-02		Tank, Recovery	17	509-0329	1	O'Ring
5	123-2240-03	1	Bracket, Fill Tube	18	503-1137	2	Screw, Hose Clamp
6	130-4321	1	Neck, Fill	19	821-2096-02	12	Screw, Locking, Flange (M6 x 1 x 12mm)
7	130-4320	1	Cap, Fill	20	130-6248	2	Seal, Radiator
8	503-1959	1	Hose, Air Bleeder	21	130-6247	1	Seal, Radiator
9	503-2059	1	Hose, Overflow	22	130-6246	1	Seal, Radiator
10	503-1951-12	3	Clamp, Hose	23	505-0180	1	Plug, Counter Sunk Head
11	503-2555	1	Hose, Coolant (Vent)	24	502-1529	1	Connection, Hose Nylon 90°
12	503-1951-09	1	Clamp, Hose				
13	503-1138	2	Screw, Hose Clamp				

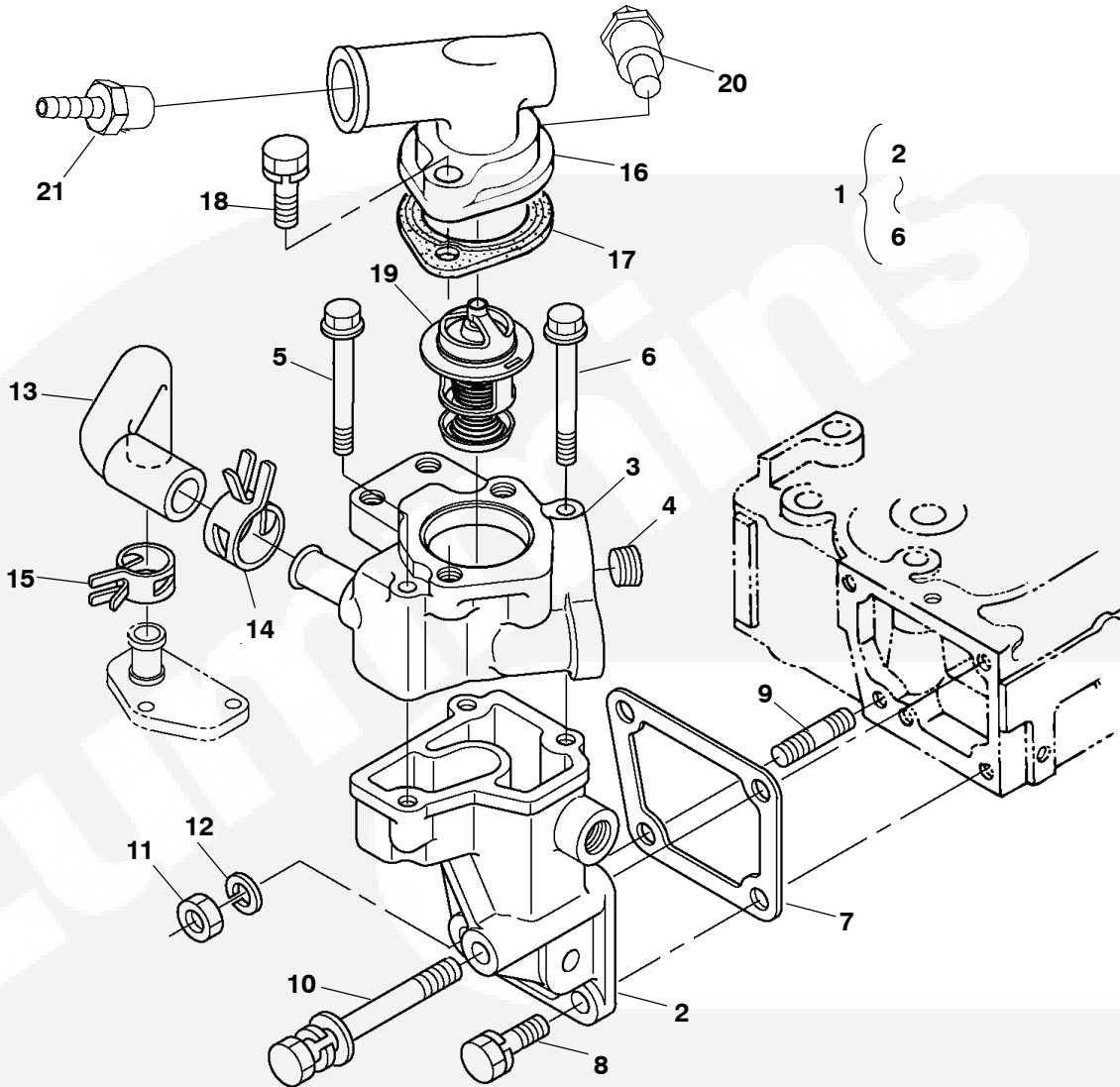
Water Pump



REF NO.	PART NO.	QTY USED	PART DESCRIPTION	REF NO.	PART NO.	QTY USED	PART DESCRIPTION
1	132-0448	1	Pump, Water	8	185-2404	2	Bolt
2	132-0446	1	Body, Water Pump	9	520-2655	1	Stud
3	510-0215	1	Bearing	10	185-2389	6	Bolt
4	132-0444	1	Impeller, Water Pump	11	185-6957	1	Washer, Spring
5	509-0419	1	Seal, Shaft	12	512-0447	1	Pulley, Fan
6	130-6347	1	Flange, w/ Pump Shaft	13	185-7013	4	Bolt, Flanged
7	132-0447	1	Gasket, Water Pump				

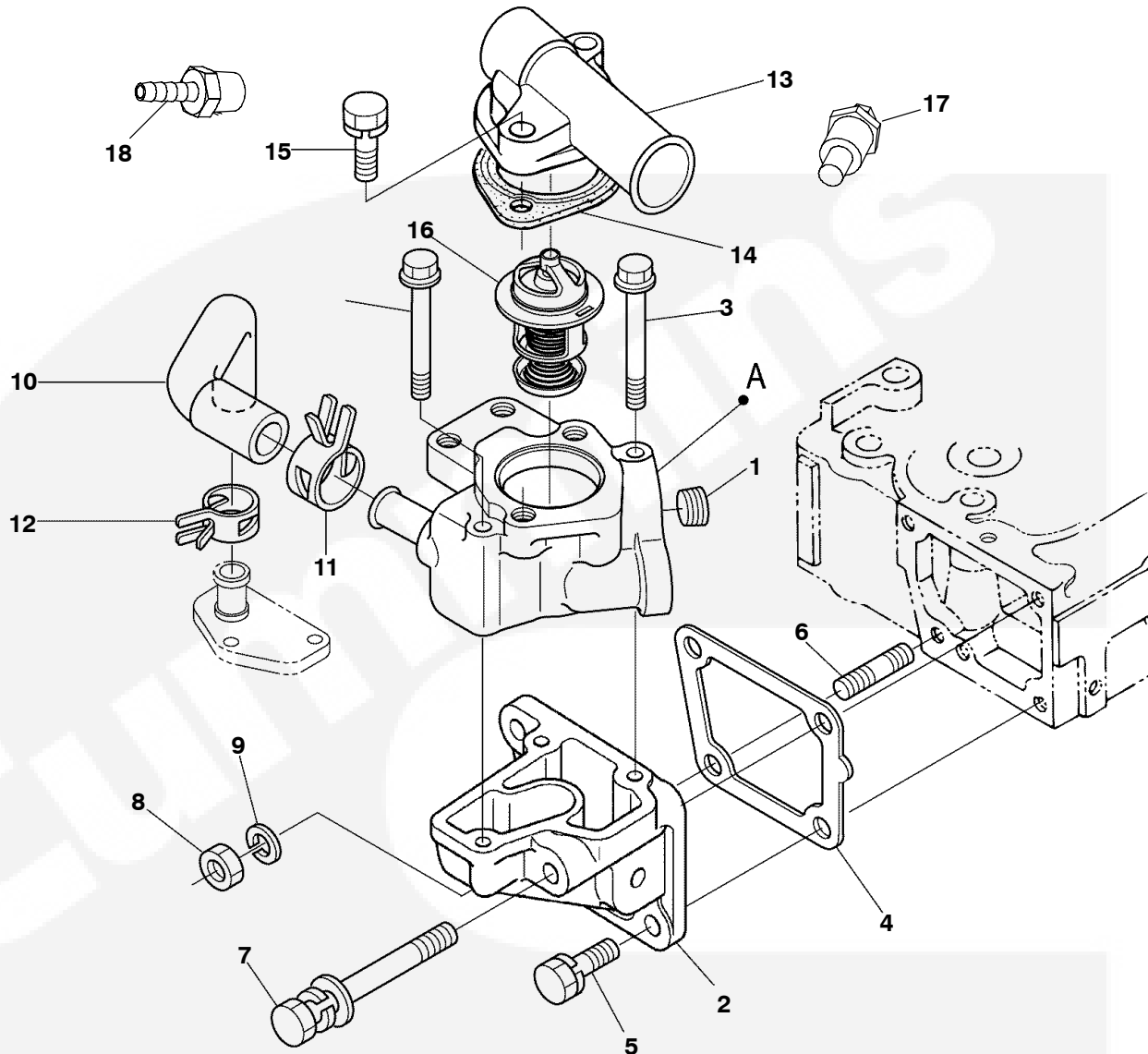


Thermostat Assy (Spec A-B)



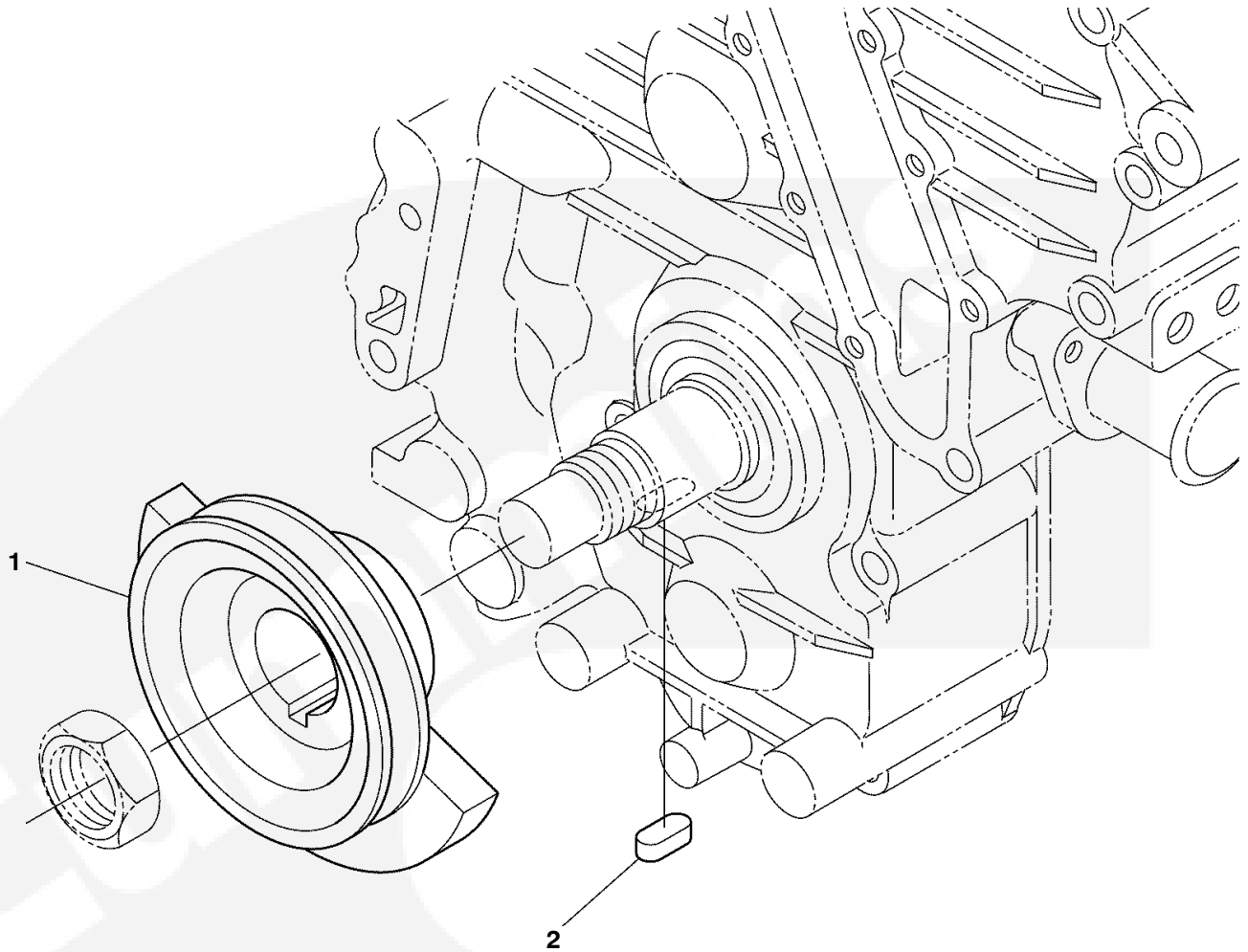
REF NO.	PART NO.	QTY USED	PART DESCRIPTION	REF NO.	PART NO.	QTY USED	PART DESCRIPTION
1	130-6330	1	Comp, Flange Water	12	185-6957	1	Washer, Spring
2	130-6331	1	Flange, Water	13	503-2553	1	Pipe, Water Return
3	130-6333	1	Flange, Water	14	185-6722	1	Clamp, Hose
4	505-2252	1	Plug	15	503-2552	1	Clamp, Hose
5	800-6331	2	Bolt, Flange	16	185-7298	1	Cover, Thermostat
6	800-6332	1	Bolt, Flange	17	185-6004	1	Gasket, Thermostat
7	130-6334	1	Gasket, Water Flange	18	185-2565	2	Bolt
8	185-2402	1	Bolt	19	130-6329	1	Thermostat
9	185-2106	1	Stud	20	193-0318	1	Sender, Water Temperature
10	800-6328	1	Bolt	21	502-1367-05	1	Connector, Hose
11	800-6332	1	Nut				

Thermostat Assy (Begin Spec C)

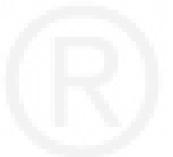


REF NO.	PART NO.	QTY USED	PART DESCRIPTION	REF NO.	PART NO.	QTY USED	PART DESCRIPTION
	130-6330	1	Comp, Flange Water (Includes Parts Marked * A and B)	10	503-2553	1	Pipe, Water Return
1	505-2252	1	*Plug	11	503-3135	1	Clamp, Hose
2	130-6331	1	*Flange, Water	12	503-2552	1	Clamp, Hose
3	800-6332	1	*Bolt, Flange	13	130-6322	1	Cover, Thermostat
4	130-6334	1	Gasket, Water Flange	14	185-6004	1	Gasket, Thermostat
5	185-2401	1	Bolt	15	185-2565	2	Bolt
6	185-2106	1	Stud	16	130-6329	1	Thermostat
7	800-6328	1	Bolt	17	193-0318	1	Sender, Water Temperature
8	185-2367	1	Nut	18	502-1367-05	1	Connector, Hose
9	185-6957	1	Washer, Spring	19	800-6331	2	Bolt, Flange

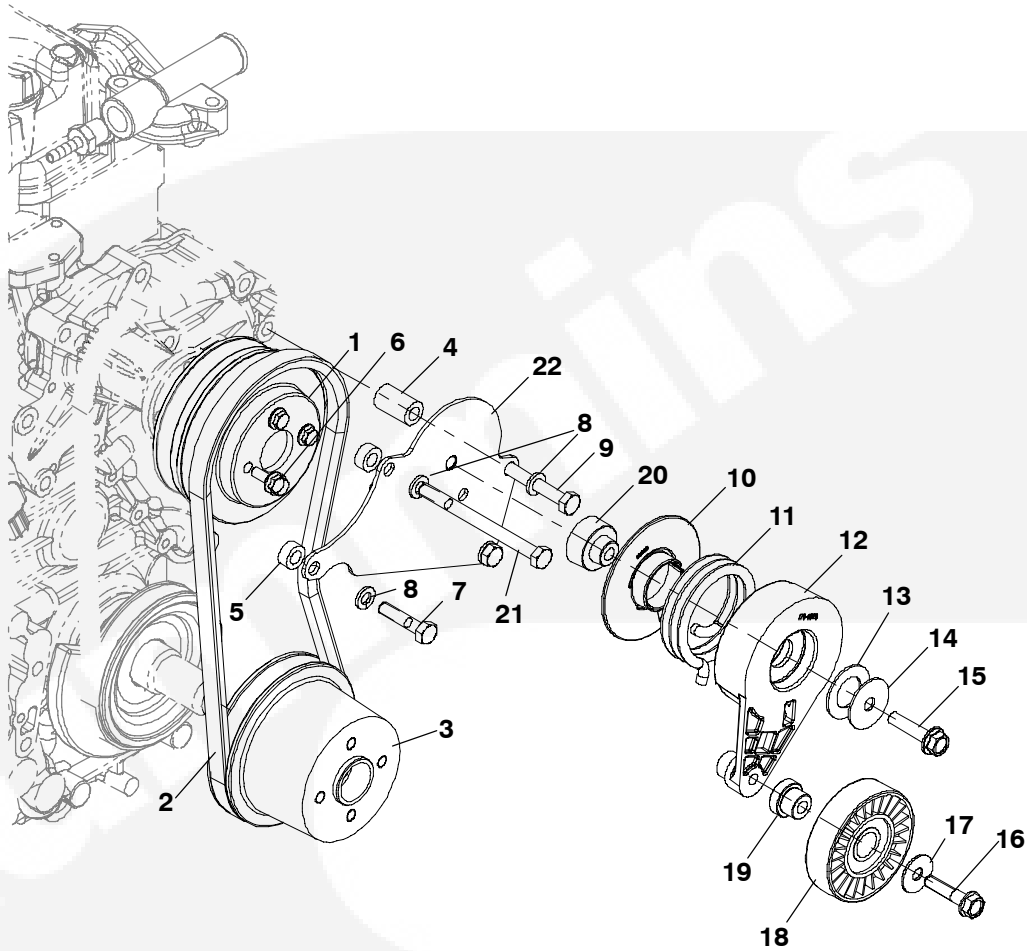
Pulley System



REF NO.	PART NO.	QTY USED	PART DESCRIPTION
1	512-0293	1	Pulley, Fan Drive
2	185-5905	1	Key, Feather



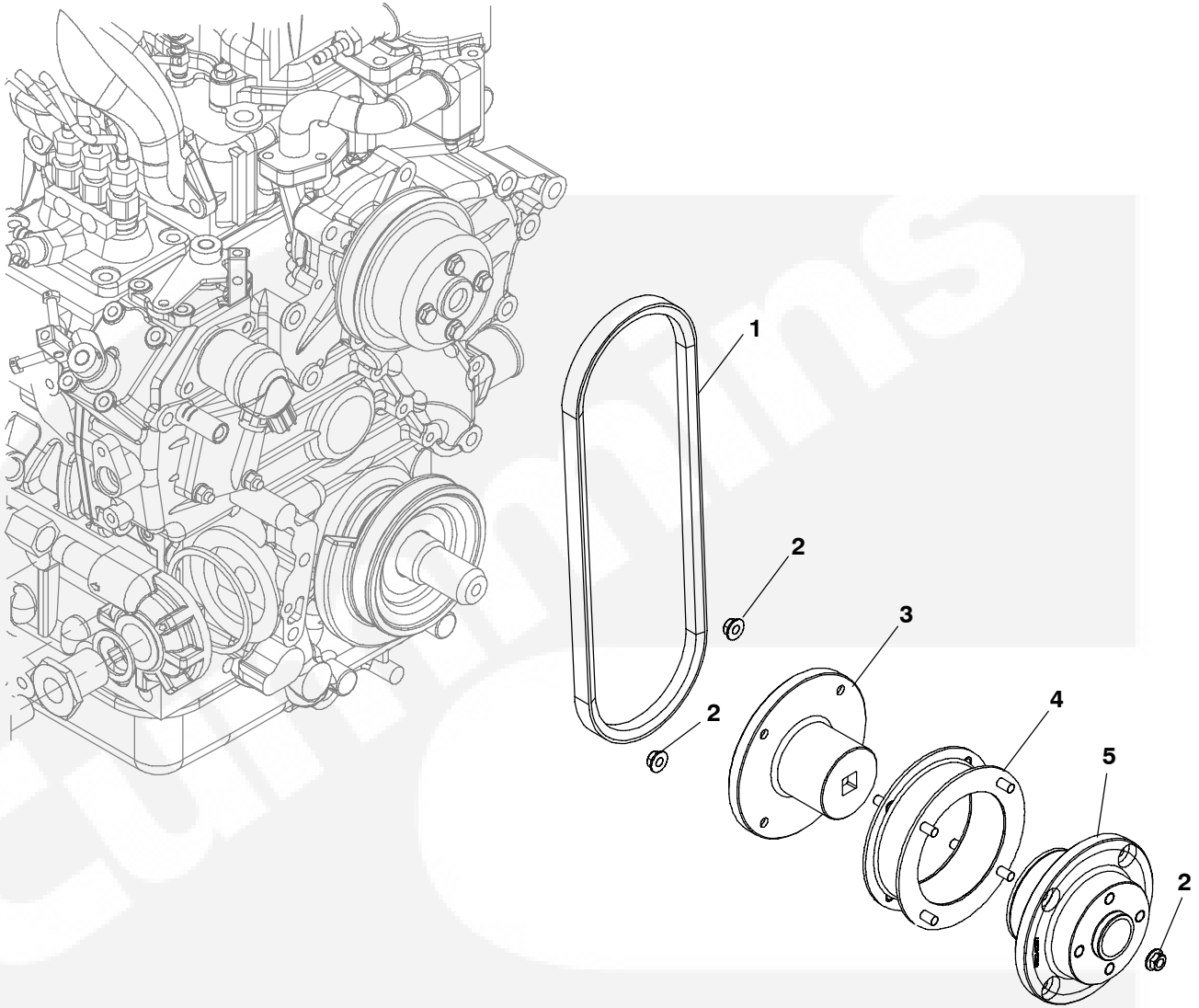
Pulley System (Spec A)



REF NO.	PART NO.	QTY USED	PART DESCRIPTION	REF NO.	PART NO.	QTY USED	PART DESCRIPTION
1	512-0276	1	Pulley, Water Pump	13	190-0759	1	Washer, Tensioner
2	511-0214	1	Belt, Drive, Water Pump	14	526-0461	1	Washer, Flat (M9 x 34mm)
3	512-0279	1	Assy, Coupling	15	815-0954-05	1	Screw, Flange Head Mach (M8 x 35mm)
4	512-0287-02	2	Bushing, Tensioner	16	800-0052	1	*Screw, Thread Form (M8 x 1.25 x 35mm)
5	512-0287-01	2	Bushing, Tensioner	17	526-2120	1	Washer, Flat (5/16")
6	821-2033	4	Screw, Locking Head Flange (M6 x 1 x 16mm)	18	512-0199	1	*Pulley, Tensioner
7	800-2060	1	Screw, Hex Head Cap (M8 x 1.25 x 35mm)	19	192-0451	1	*Hub, Bearing Pulley
8	850-2008	4	Washer, Locking Split (M8)	20	192-0452	1	Hub, Bearing Tensioner
9	800-2072	2	Screw, Hex Head Cap (M8 x 1.25 x 100mm)	21	800-2071	1	Screw, Hex Head Cap (M8 x 1.25 x 90mm)
10	190-0754	1	Bushing, Tensioner	22	512-0283-02	1	Bracket, Tensioner
11	190-0753	1	Spring, Tensioner				
12	512-0316	1	Arm, Tensioner				

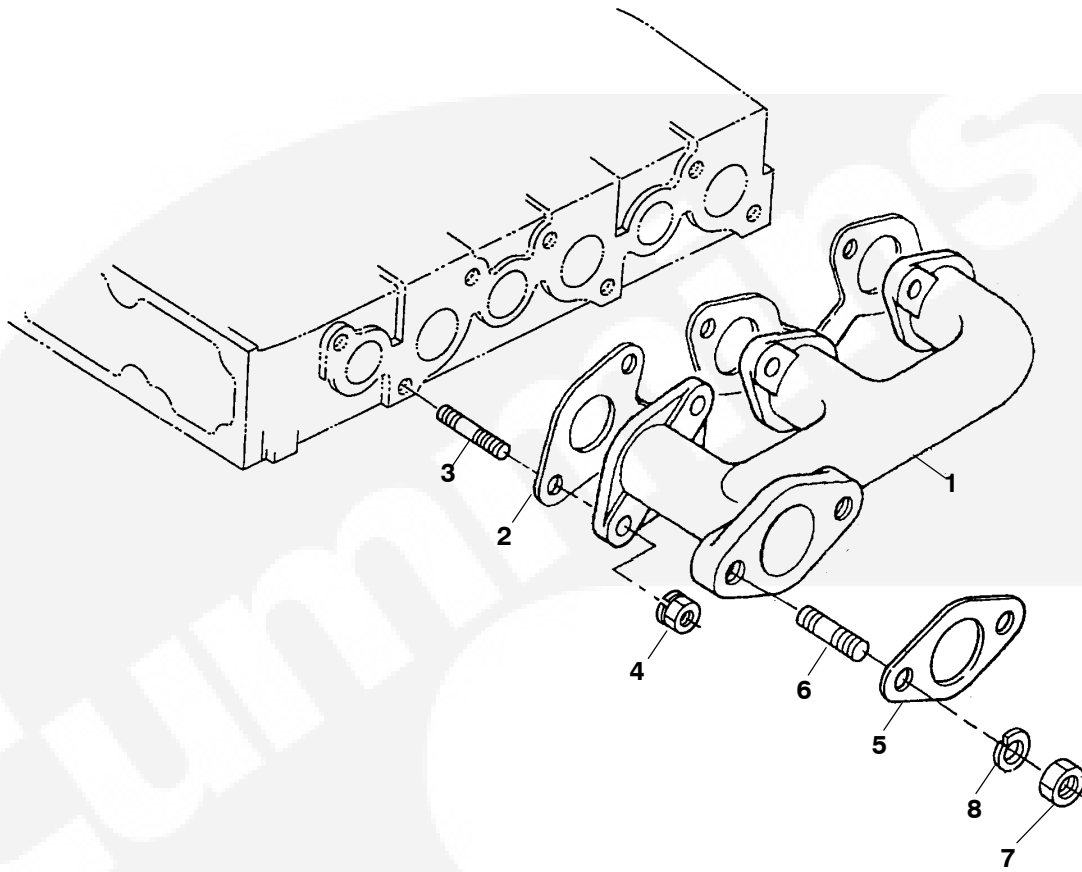
* - Parts included in Tensioner Arm Assembly

Pulley System (Begin Spec B)

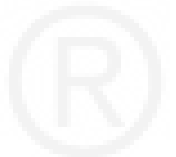


REF NO.	PART NO.	QTY USED	PART DESCRIPTION
1	511-0219	1	Belt, Drive
2	870-2065-02	8	Nut, Hex Flange (M6)
3	512-0294	1	Hub, Coupling
4	512-0274	1	Coupling, Assy (Includes, Flange Coupling)
5	512-0302	1	Hub, Coupling (Includes Bearing Sleeve and Hub Coupling)

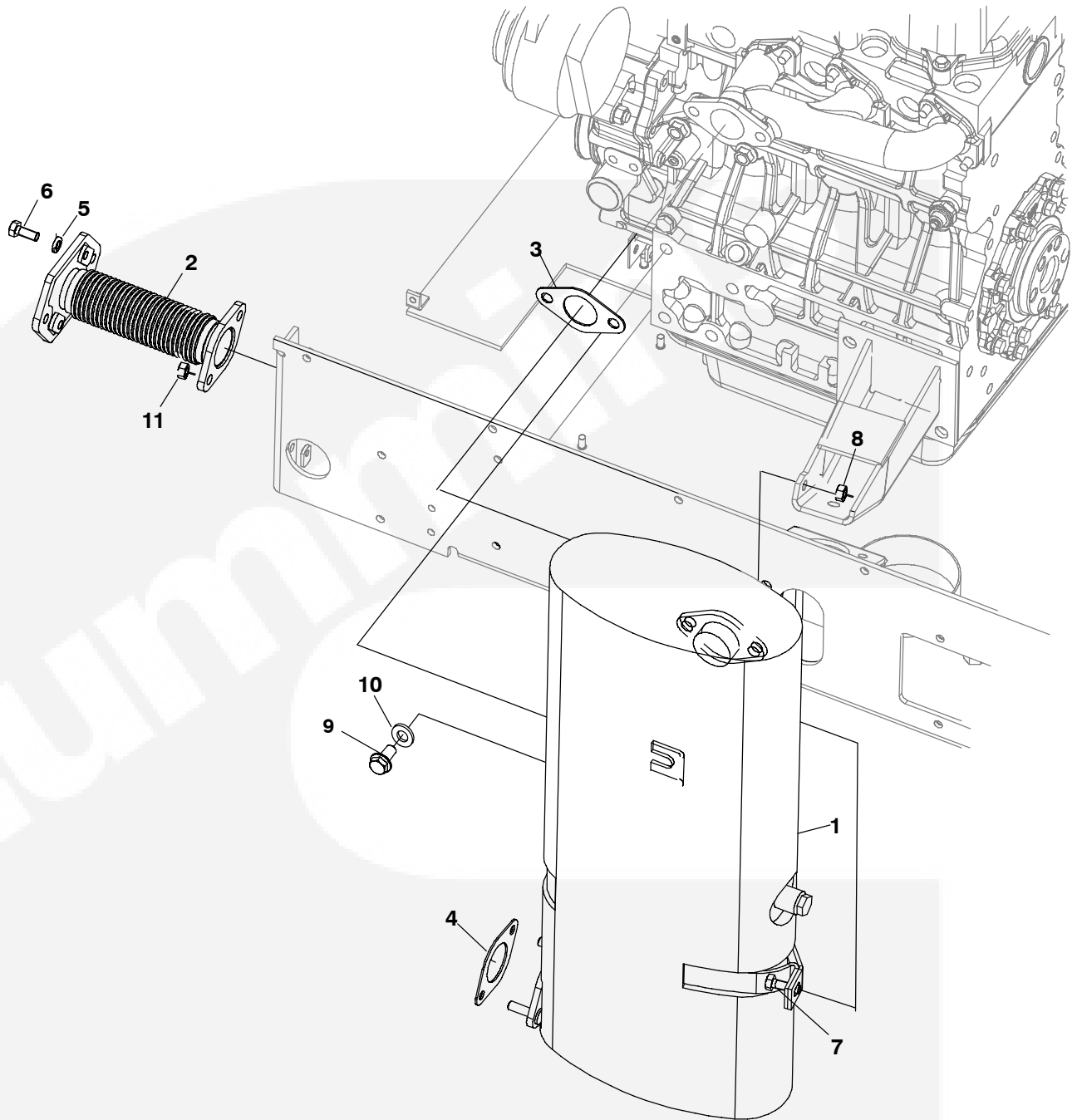
Exhaust Manifold



REF NO.	PART NO.	QTY USED	PART DESCRIPTION	REF NO.	PART NO.	QTY USED	PART DESCRIPTION
1	154-3288	1	Manifold, Exhaust	6	520-2697	2	Stud
2	154-3189	1	Gasket, Exhaust Manifold	7	185-5445	2	Nut,
3	185-2106	6	Stud	8	185-6785	2	Washer, Plain
4	860-2136	6	Nut				
5	185-6848	1	Gasket, Exhaust Out				

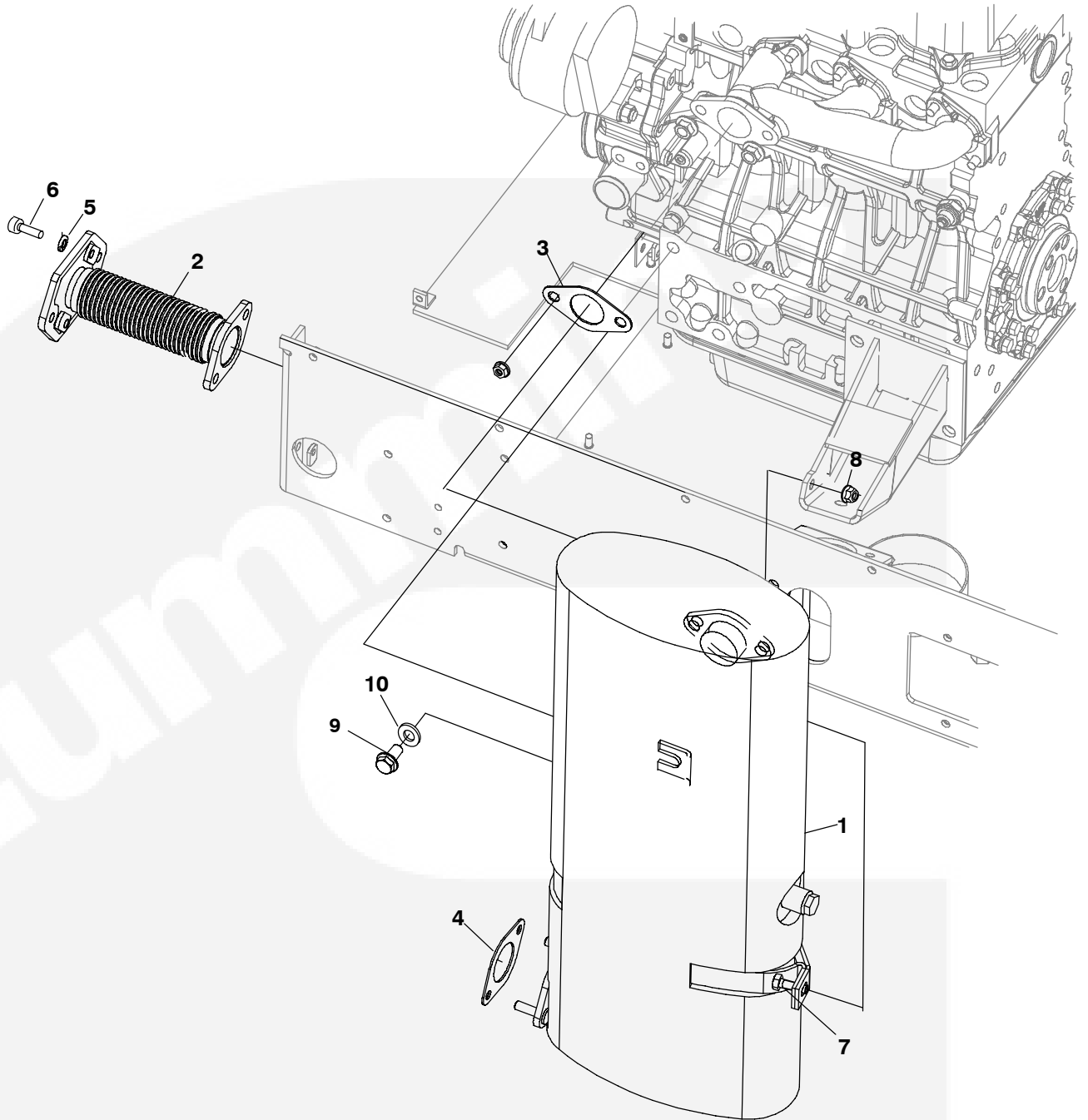


Exhaust System (Spec A-B)



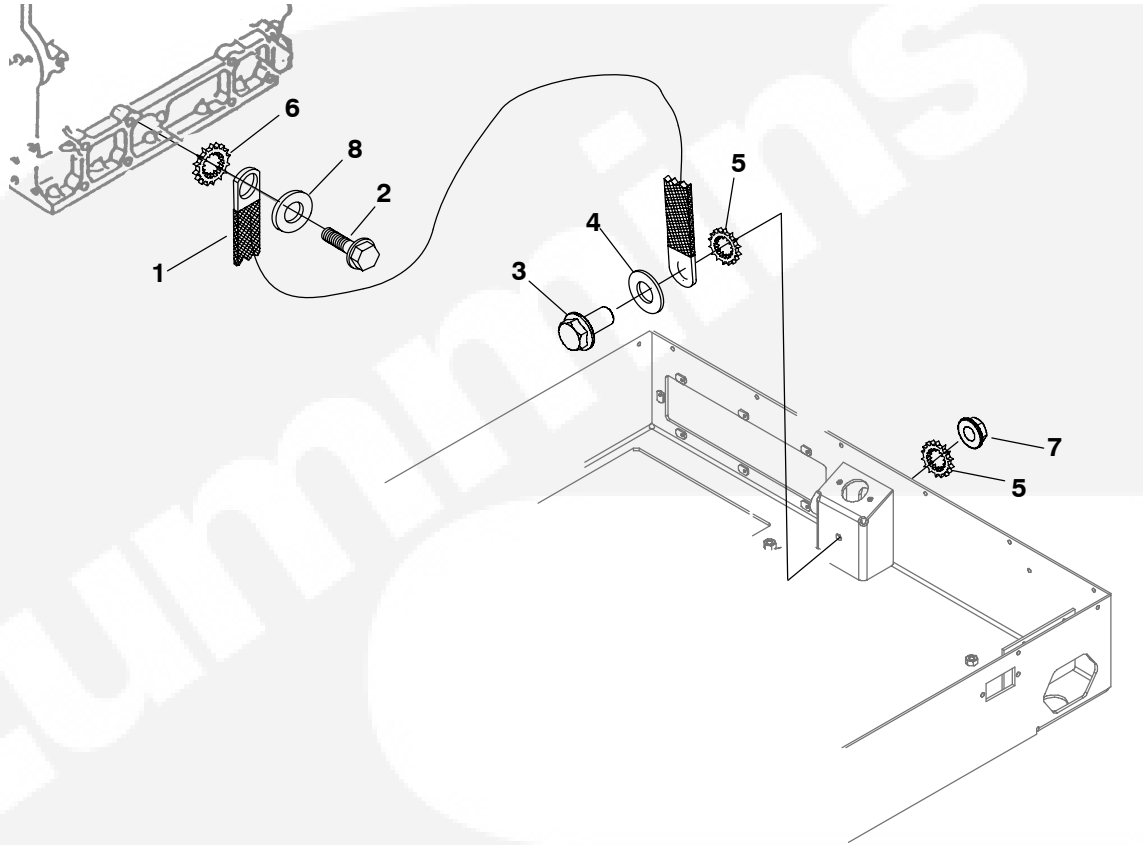
REF NO.	PART NO.	QTY USED	PART DESCRIPTION	REF NO.	PART NO.	QTY USED	PART DESCRIPTION
1	155-4411	1	Muffler	8	870-2055	1	Nut, Locking Flange Head (M8 x 1.25mm)
2	154-3033	1	Pipe, Flex Exhaust	9	800-3033	1	Screw, Hex Head Cap (M12 x 1.25 x 25mm)
3	185-6848	1	Gasket, Exhaust Manifold	10	526-0399-64	1	Washer, Flat
4	154-2800	1	Gasket, Exhaust Manifold	11	870-2065-03	2	Nut, Hex Flange
5	850-2008	2	Washer, Split Locking (M8)				
6	800-2057	6	Screw, Hex Head Cap (M8 x 1.25 x 20mm)				
7	815-0954-03	1	Screw, Hex Flanged Head (M8 x 1.25 x 25mm)				

Exhaust System (Spec C)



REF NO.	PART NO.	QTY USED	PART DESCRIPTION	REF NO.	PART NO.	QTY USED	PART DESCRIPTION
1	155-4662	1	Muffler	7	815-0954-03	1	Screw, Hex Flanged Head (M8 x 1.25 x 25mm)
2	154-3033	1	Pipe, Flex Exhaust	8	870-2055	1	Nut, Locking Flange Head (M8 x 1.25mm)
3	185-6848	1	Gasket, Exhaust Manifold	9	800-3033	1	Screw, Hex Head Cap (M12 x 1.25 x 25mm)
4	154-2800	1	Gasket, Exhaust Manifold	10	526-0399-64	1	Washer, Flat
5	850-2008	4	Washer, Split Locking (M8)				
6	725-1051	4	Screw, Hex Head Cap (M8 x 1.25 x 20mm)				

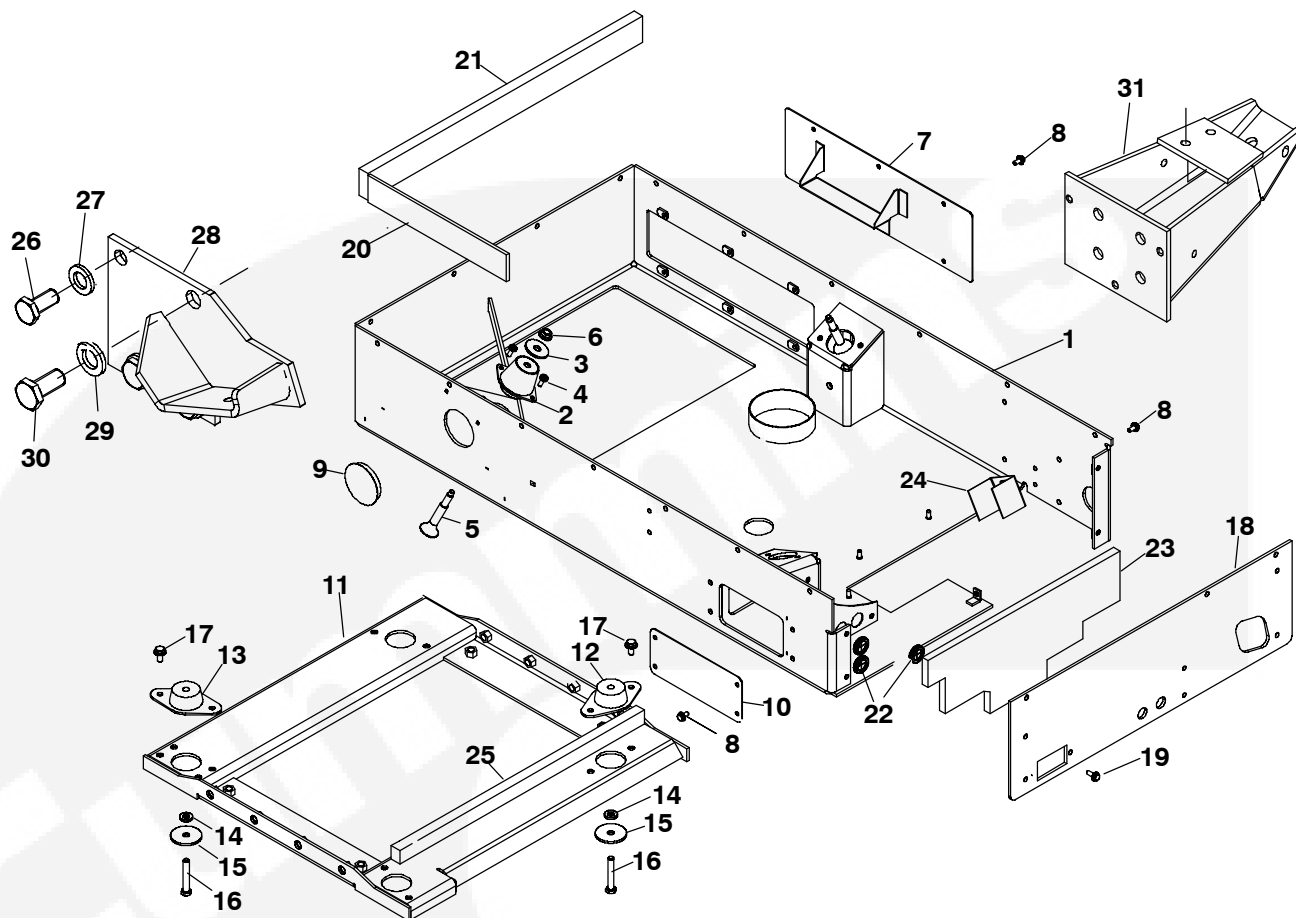
Ground System



REF NO.	PART NO.	QTY USED	PART DESCRIPTION	REF NO.	PART NO.	QTY USED	PART DESCRIPTION
1	337-0090	1	Strap, Electrical	5	856-0010	2	Washer, EIT Locking
2	800-3031	1	Screw, Hex Head Cap (M12 x 1.25 x 20mm)	6	856-0013	1	Washer, EIT Locking
3	821-2061	1	Screw, Locking Head Flange (M10 x 25mm)	7	870-2056	1	Nut, Locking Flange (M10 x 1.5mm)
4	526-2120	1	Washer, Flat (M10)	8	526-2140	1	Washer, Flat (M12)

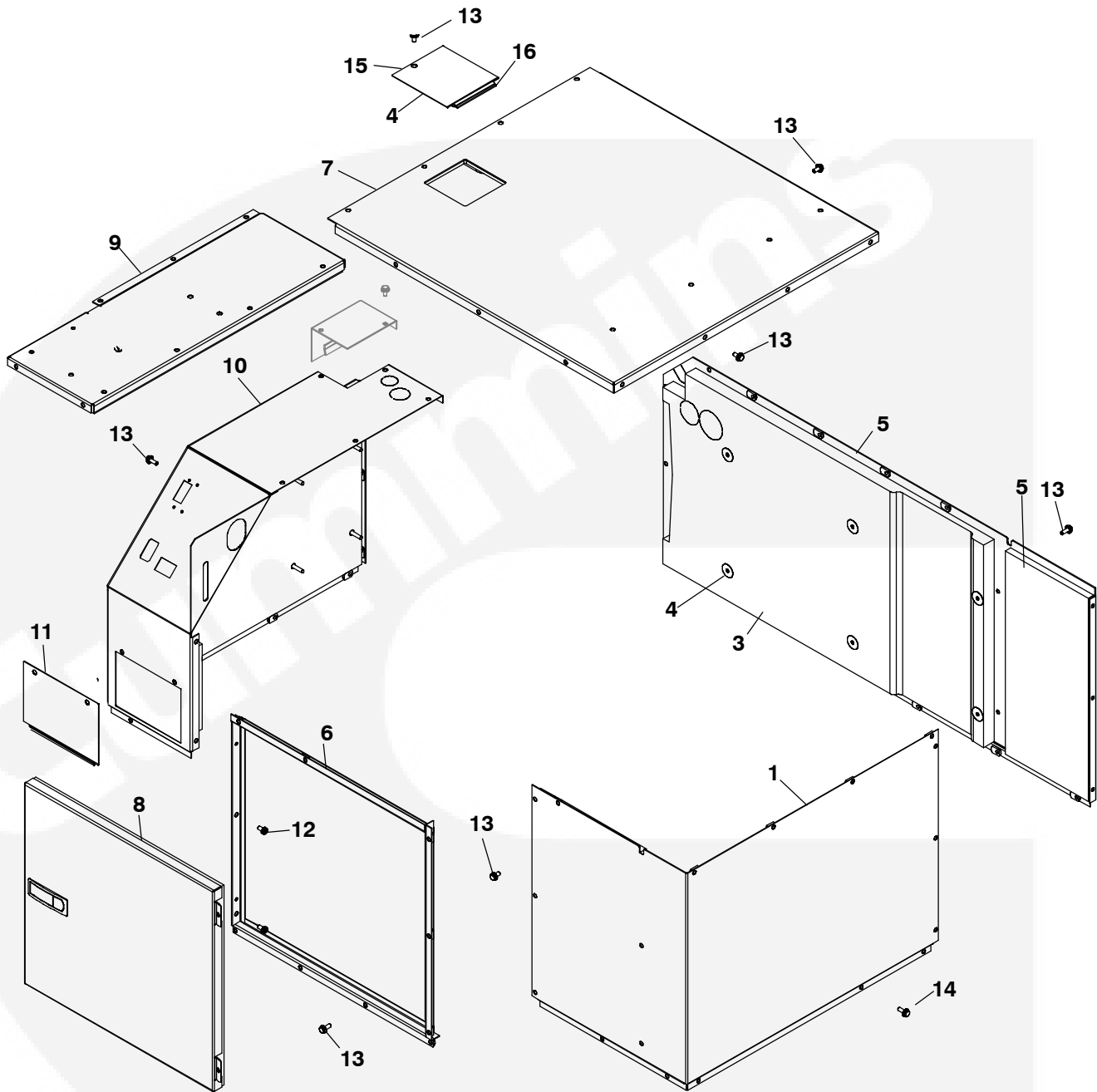


Mounting System



REF NO.	PART NO.	QTY USED	PART DESCRIPTION	REF NO.	PART NO.	QTY USED	PART DESCRIPTION
1	403-5382-03	1	Assy, Drip Pan Spec A	17	821-2045	8	Screw, Lock Head Flange (M8 x 1.25 x 16mm)
	403-6072-02	1	Begin Spec B	18	403-5520-02	1	End, Cap Skid
2	402-0680-03	3	Isolator, Engine	19	821-2096-03	4	Screw, Locking Flange (M6x 1 x 16mm)
3	526-0014	4	*Washer, Flat (7/16")	20	130-6249	1	Seal, Radiator
4	821-2032	6	Screw, Locking Head (M6 x 1 x 12mm)	21	130-6250	1	Seal, Radiator
5	815-0861	3	Screw, Isolator Mount	22	508-0071	4	Grommet
6	870-2056	4	Nut, Lock Flange (M10 x 1.5mm)	23	405-8284	1	Insulation, Outlet
7	403-5519-02	1	Mounting, Radiator	24	134-5341-02	1	Vane, Air
8	821-2096-02	12	Screw, Lock Flange (M6 x 1 x 12mm)	25	405-8519	1	Seal, Pan
9	517-0138-09	1	Plug, Hole	26	800-3030	1	Screw, Hex Head Cap (M10 x 1.25 x 20mm)
10	149-2734-02	1	Cover, Fuel Pump	27	526-2120	1	Washer, Flat (M10)
11	403-5552-02	1	Assy, Frame (Secondary Mounting)	28	403-5359-02	1	Bracket, Engine (Front Assy)
12	402-0728-01	2	Isolator, Vibration	29	526-0399-64	8	Washer, Flat (M12)
13	402-0728-02	2	Isolator, Vibration	30	800-3033	8	Screw, Hex Head Cap (M12 x 1.25 x 25mm)
14	526-0174	4	Washer, Flat (10 Ga)	31	403-5356-02	1	Bracket, Engine (Back Assy)
15	526-0324	4	Washer, Flat (3/8)				
16	800-0055	4	Screw, Hex Head Cap (3/8-16 x .75")				

Housing

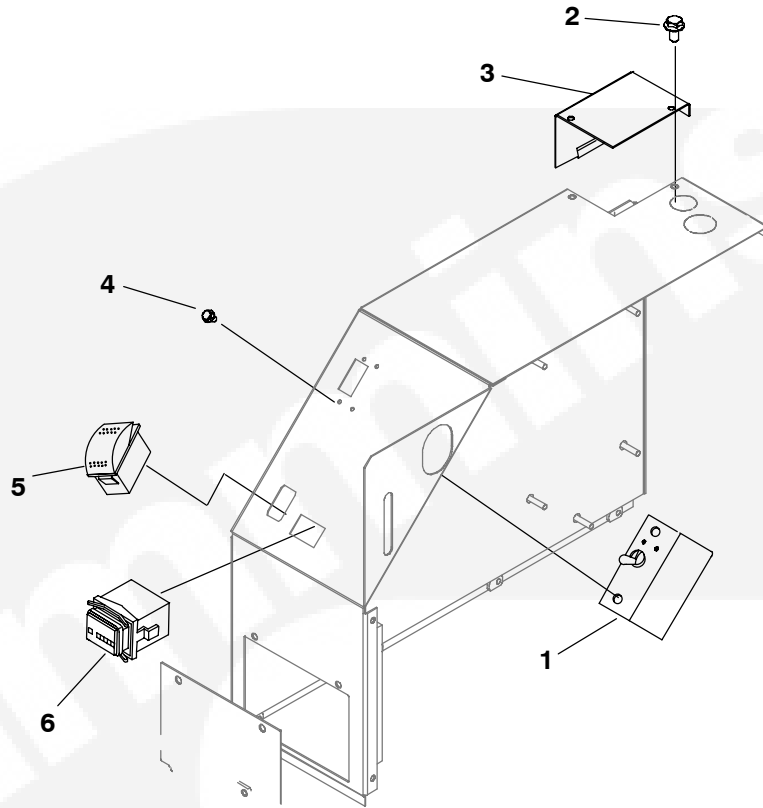


REF NO.	PART NO.	QTY USED	PART DESCRIPTION
1	405-8252	1	Panel, Enclosure
2	405-8249-02	1	Panel, Enclosure
3	405-8250	1	Insulation, Panel
4	405-8249-02	8	Push-On
5	405-9147	1	Insulation, Panel
6	405-8352-02	1	Frame, Door
7	405-9821-SO	1	Panel, Enclosure
8	405-5898-S1	1	Assy, Door (Includes Latches and Insulation)
9	405-9822-SO	1	Panel, Enclosure (Top)

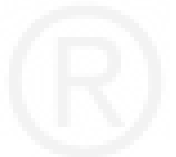
REF NO.	PART NO.	QTY USED	PART DESCRIPTION
10	405-8294-SO	1	Panel, End Cap
11	212-1308-02	1	Cover, Brush Block
12	823-1002-01	2	Screw, Pan Head Mach (Torx M6 x 1 x 12mm)
13	800-6497-01	43	Screw, Locking Flange (M6 x 1 12mm)
14	800-6497-02	20	Screw, Locking Flange (M6 x 1 12mm)
15	405-8721-02	1	Panel, Access
16	405-8722	1	Insulation, Cover



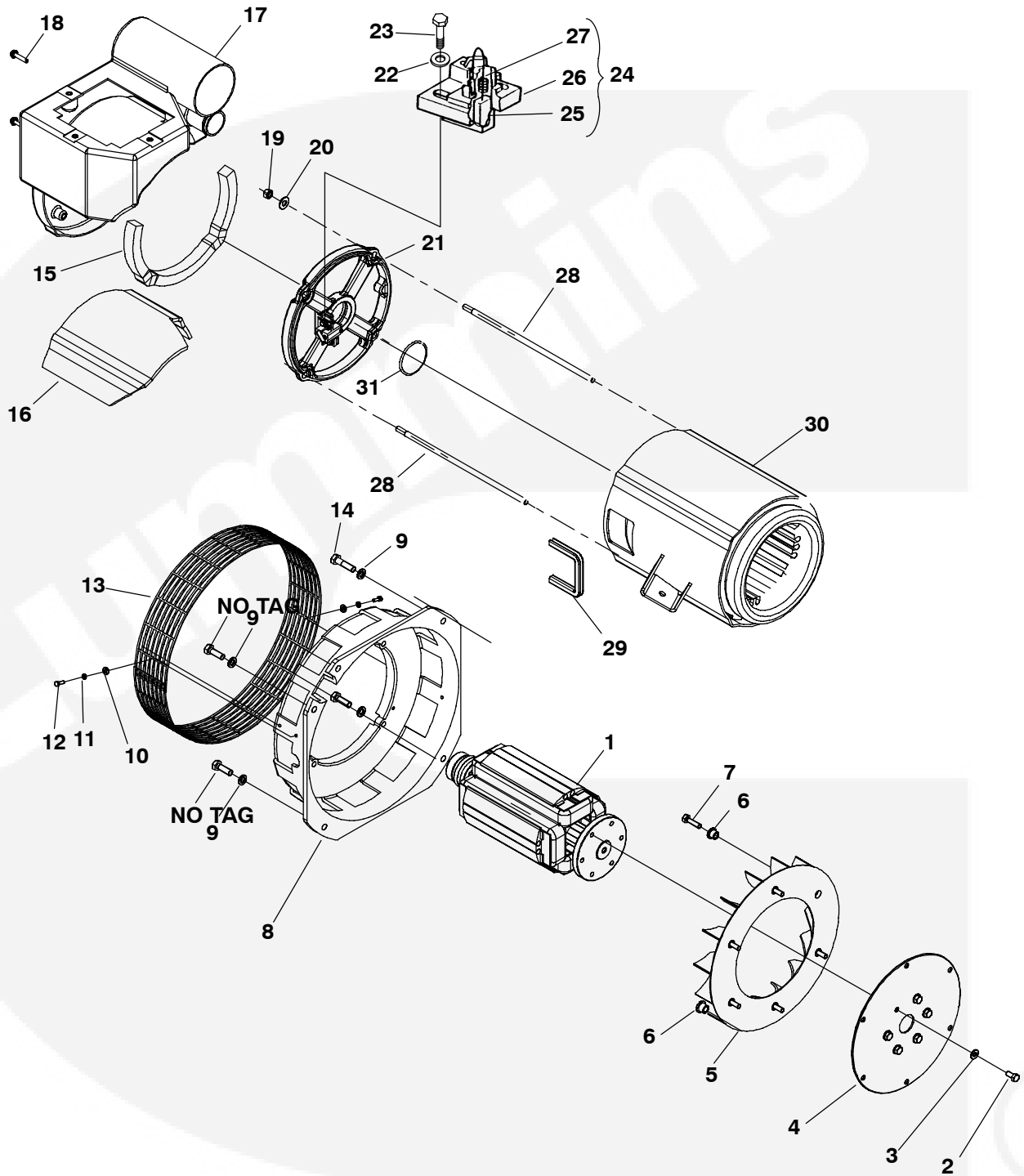
Housing End Cap



REF NO.	PART NO.	QTY USED	PART DESCRIPTION	REF NO.	PART NO.	QTY USED	PART DESCRIPTION
1			Breaker, Circuit	4	815-0549	4	Screw, Pan Head
	320-2441-02	1	45A (HDKCA)				(6-32 x .25")
	320-2441-03	1	50A (HDKCB)	5	308-1038	1	Switch, Rocker
2	821-2096-02	2	Screw, Lock Flange	6	302-2002	1	Meter, Hour
3	405-5380-05	1	Cover, AC				



Generator



Generator

REF NO.	PART NO.	QTY USED	PART DESCRIPTION	REF NO.	PART NO.	QTY USED	PART DESCRIPTION
1			Rotor, Generator	20	526-0029	4	Washer, Flat (3/8")
	201-3506-S3	1	HDKCA (142mm)	21	211-0447-01	1	#End, Bell Generator
	201-3506-S4	1	HDKCB (178mm)	22	526-0399-56	2	#Washer, Flat (M5)
2	718-1035	6	Screw, Hex Head Cap (M8 x 1.25 x 16mm)	23	800-0309-89	2	#Screw, Hex Head Machine (M5 x 0.8 x 16)
3	526-2100	6	Washer, Flat (M8)	24	212-1285-S0	1	#Block Assy, Generator Brush (Includes Parts Marked >)
4	232-4145	1	Disc, Generator Drive	25	212-1286-S0	1	>Block, Brush
5	205-0220	1	Fan, Generator	26	214-0103	2	>Brush, Generator
6	232-3296	6	Spacer, Fan	27	212-1276-03	2	>Spring, Generator Brush Stud
7	800-2515	6	Screw, Hex Head Cap (M8 x 1.25 x 30mm)	28			
8	231-0347	1	Adapter, Generator		520-1000-03	4	HDKCA(142mm)
9	850-2010	4	Washer, Lock (M10)		520-1000-04	4	HDKCB(178mm)
10	526-2080	3	Washer, Flat (M6)	29	508-1049-04	1	Edging
11	850-2005	3	Washer, Lock (M5)	30			Stator, Generator
12	800-2006	3	Screw, Hex Head Cap (M5 x 14mm)		220-4649-03	1	HDKCA (142mm)
13	232-3755-02	1	Guard, Fan		220-4649-01	1	HDKCB(178mm)
14	800-2089	1	Screw, Hex Head Cap (M10 x 1.5 x 40mm)	31			O'Ring
15	405-7774	1	Insulation Cover (Endbell)		509-0196	1	HDKCA (142mm)
16	405-7773	1	Insulation Cover (Generator)		509-0420	1	HDKCB(178mm)
17	234-1020	1	Cover, Generator Intake				
18	821-2096-06	4	Screw, Locking Flange (M6 x 30mm)				
19	862-0003	4	Nut, Hex (3/8-16)				

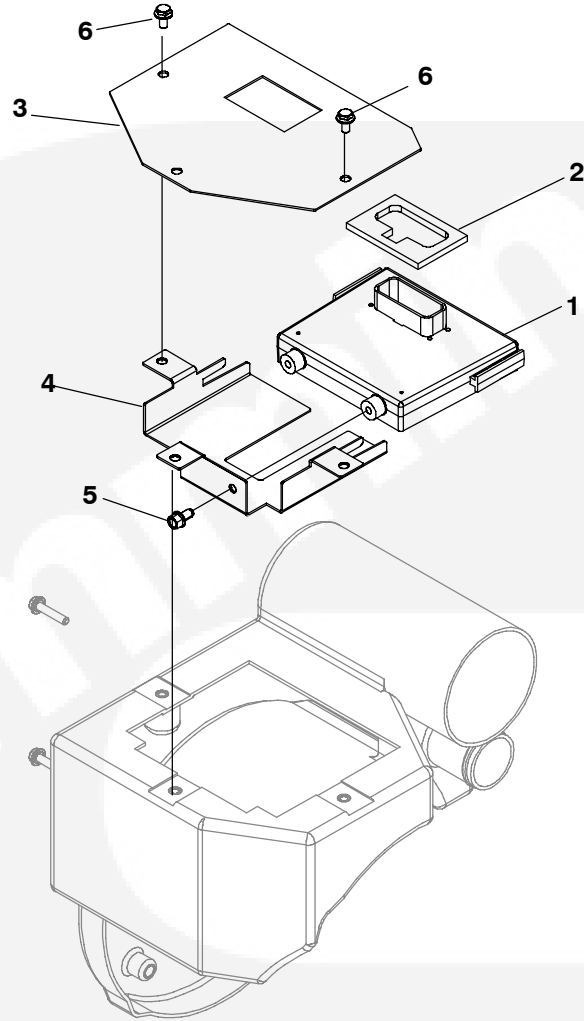
* - 524-0118 - Generator Lube

- Parts Included in Endbell Assy.

> - Parts Included in Generator Brush Block Assy.



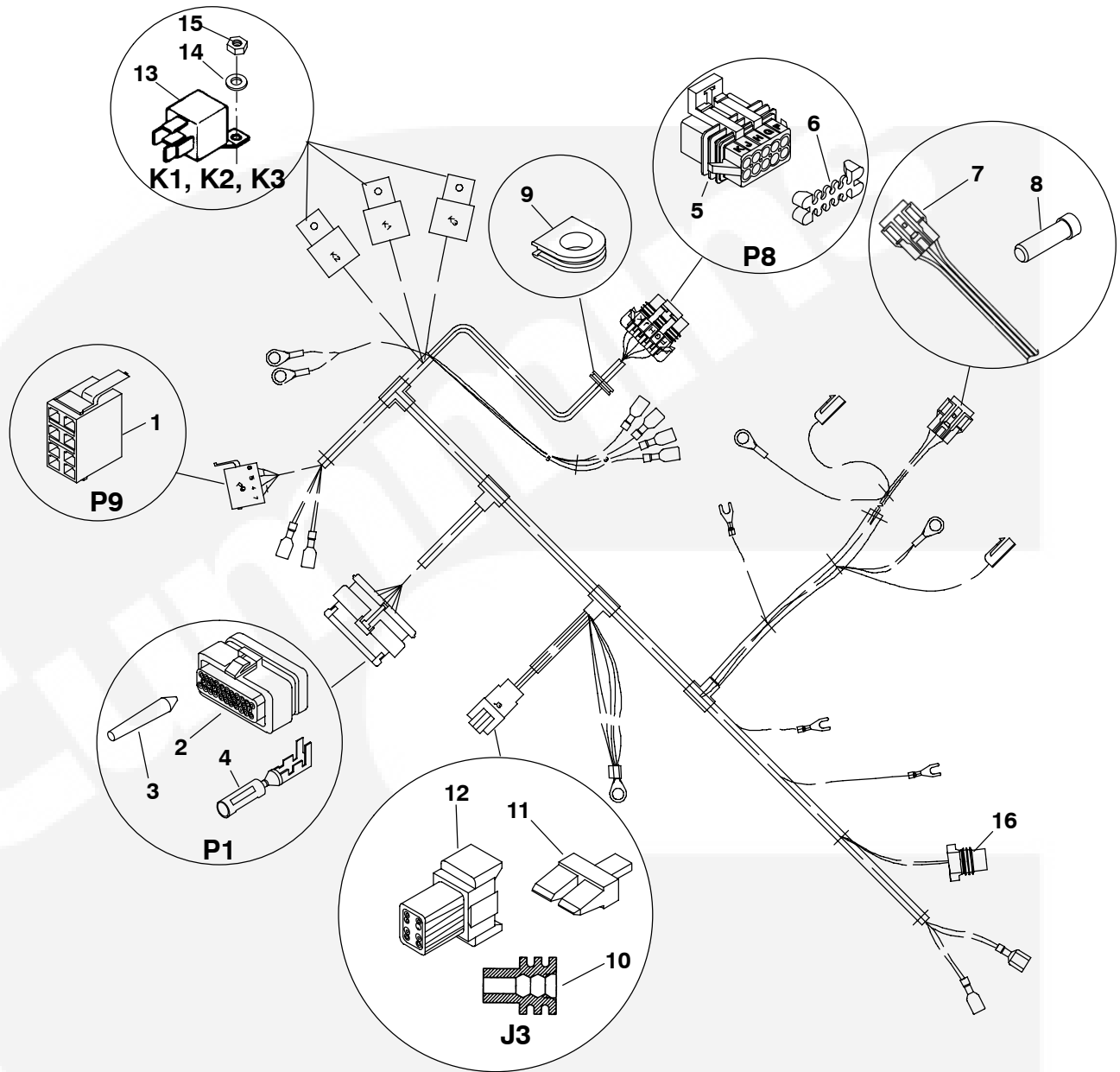
Control



REF NO.	PART NO.	QTY USED	PART DESCRIPTION	REF NO.	PART NO.	QTY USED	PART DESCRIPTION
1	300-5961	1	PCB (Control)	4	319-5199-03	1	Bracket, Control
2	405-7808	1	Insulation, Cover Plug	5	815-0943-02	1	Screw, Hex Thread Form
3	319-5200-03	1	Cover, Control (Generator Intake)	6	821-2096-02	3	Screw, Locking Flange (M6 x 12mm)

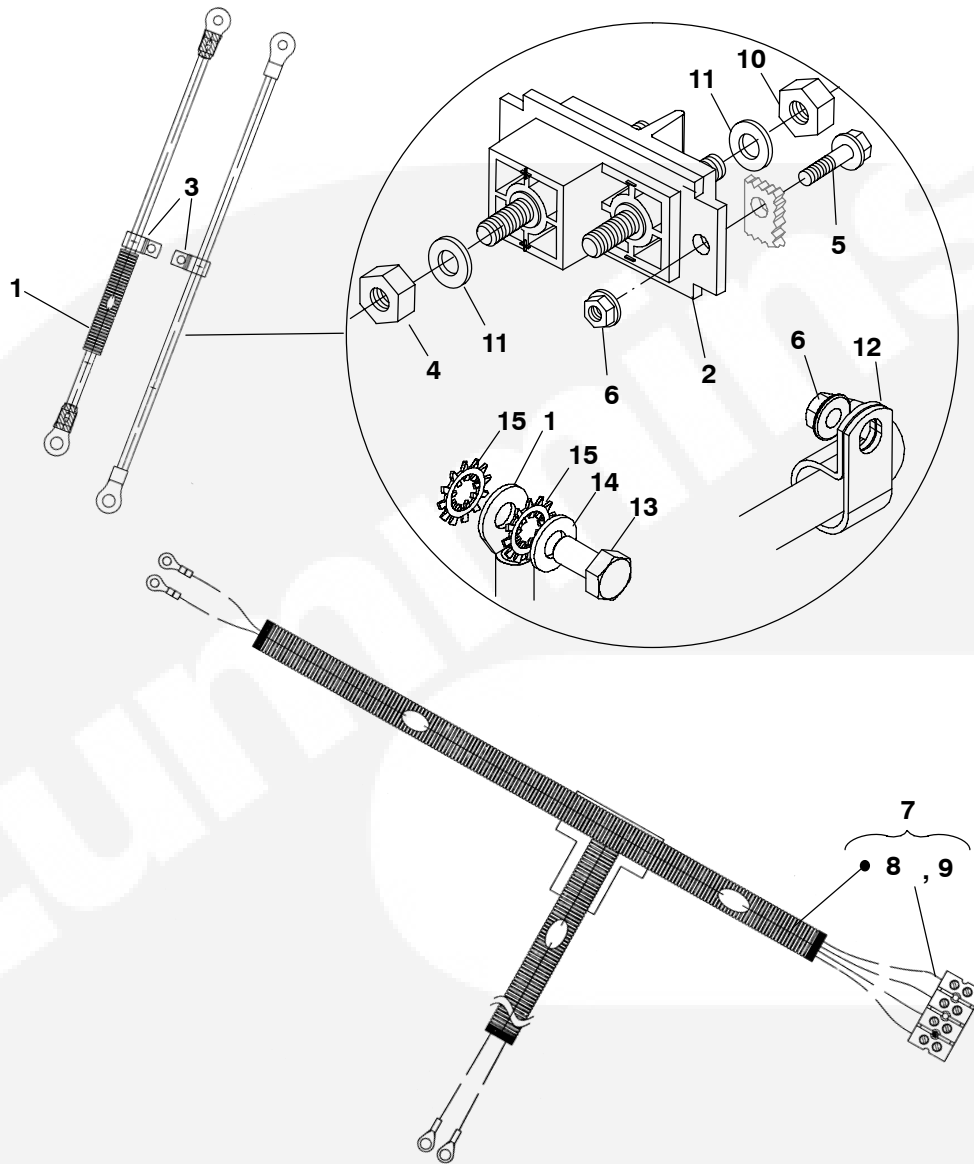


Engine Harness



REF NO.	PART NO.	QTY USED	PART DESCRIPTION	REF NO.	PART NO.	QTY USED	PART DESCRIPTION
	338-4461	1	Harness, Engine	9	508-1105	1	Grommet
1	308-1019	1	Connector, Switch (P9)	10	323-1708	AR	Seal, Cable
2	323-1819-01	1	Connector, Plug (35 Pin) (P1)	11	323-1544	1	Wedge (J3)
3	323-1615	5	Plug, Cavity (P1)	12	323-1542	1	Connector (8 Pin) (J3)
4	323-1614-01	AR	Socket, Terminal (P1)	13	307-1886	3	Relay (K1 and K2)
5	323-1711	1	Connector, Plug (10Pin) (P8)	14	526-0003	3	Washer
6	323-1719	1	Lock, Housing	15	860-2005	3	Nut, Lock Flange (M4 x 1)
7	323-1773	AR	Connector, Alt	16	323-2166	1	Connector, Receptacle
8	323-1591	2	Plug, Cavity				

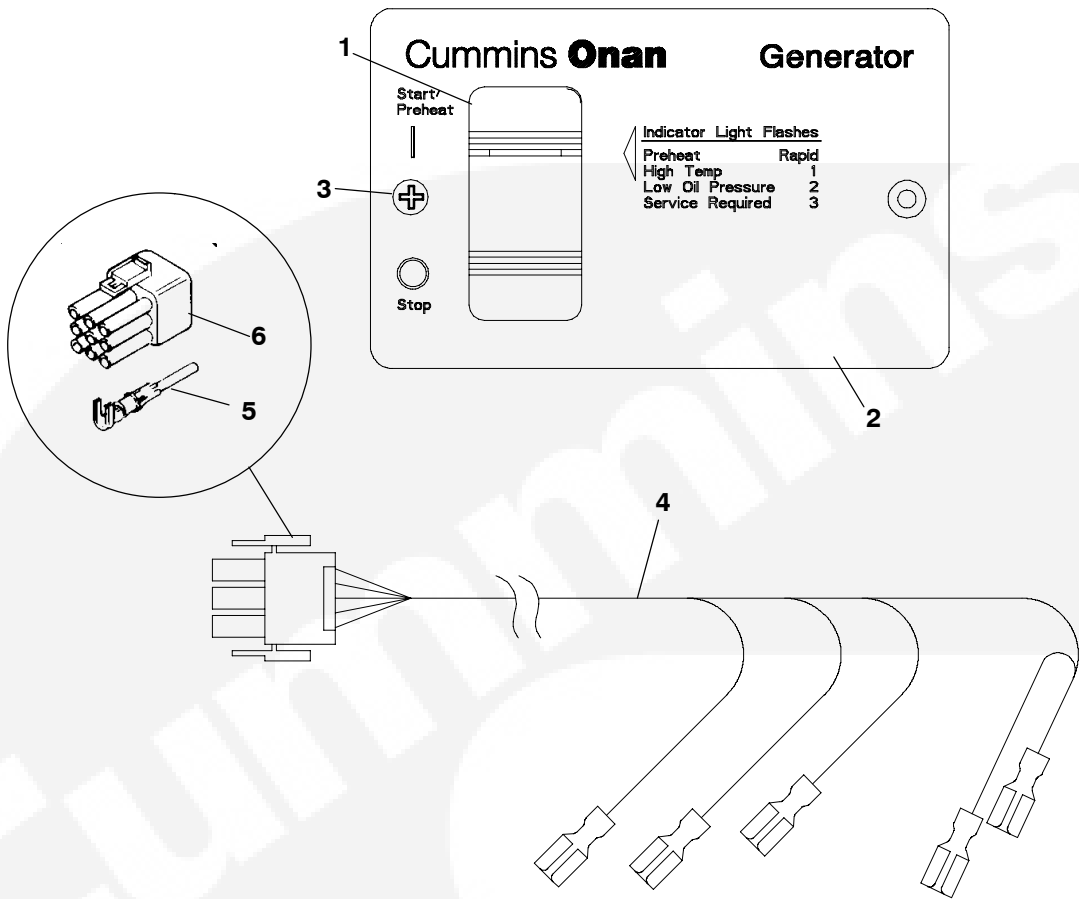
Battery/AC Harness



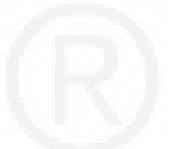
REF NO.	PART NO.	QTY USED	PART DESCRIPTION	REF NO.	PART NO.	QTY USED	PART DESCRIPTION
1	338-4498	1	Harness, Wiring (Includes Parts Marked *)	10	871-0025	2	Nut, Hex Brass (5/16-18)
2	332-3408	1	*Block, Terminal (TB1)	11	526-0054	4	Washer, Flat (5/16")
3	332-1554	2	*Clamp, Insulated Loop	12	332-1356	1	Clamp, Insulated Loop
4	862-0015	2	*Nut, Hex (5/16-18)	13	800-3004	1	Screw, Hex Head (M10 x 1.25 x 20mm)
5	821-2096-03	2	Screw, Lock Flange (M6 x 1 x 16mm)	14	526-2120	1	Washer, Flat
6	870-2054	3	Nut, Lock Flange (M6 x 1)	15	856-0010	2	Washer, Eit
7	338-4384	1	Harness, AC (Includes AC Terminal Block)				
8	332-3531-03	1	Block, AC Terminal (TB2)				
9	812-0070	2	Screw, Round Head Machine (6-32 x 1-1/4")				

* - Parts Included in Battery Wiring Harness.

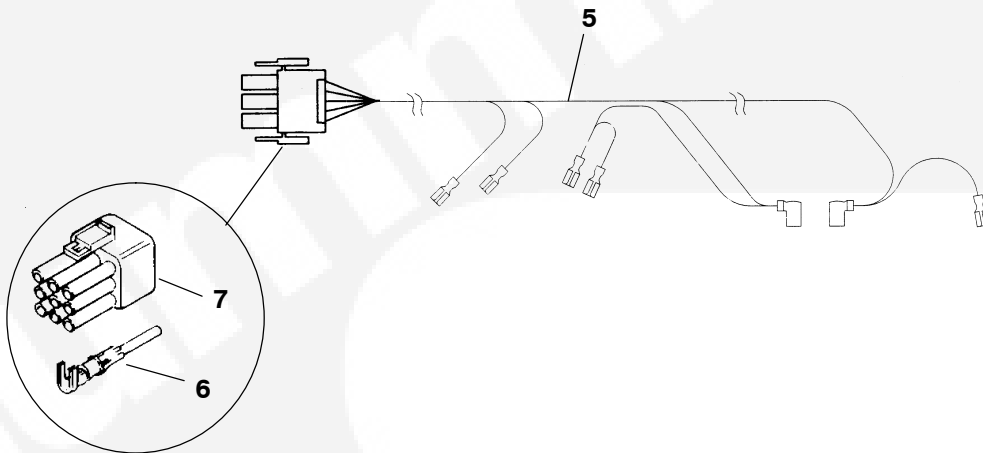
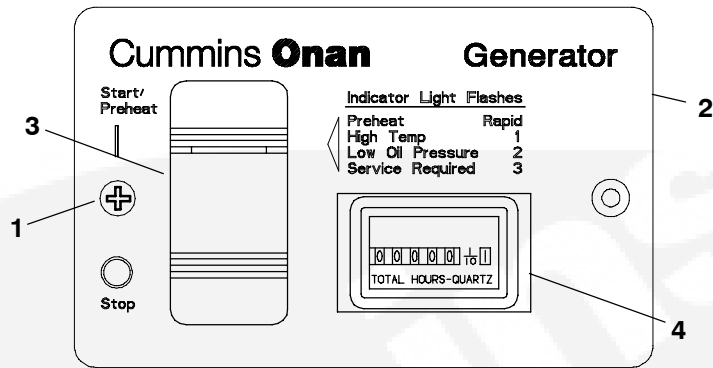
Remote Control Panel



REF NO.	PART NO.	QTY USED	PART DESCRIPTION	REF NO.	PART NO.	QTY USED	PART DESCRIPTION
	300-4942	1	Kit, Remote Panel	4	338-3812	1	Harness, Remote Panel
1	308-1062	1	Switch, Rocker (S11)	5	323-1199	4	Pin, Contact
2	319-6988-01	1	Panel, Remote (Includes Label)	6	323-1291	1	Plug (9 Pin)
3	815-0910	2	Screw, Wood (#6 x 1)				



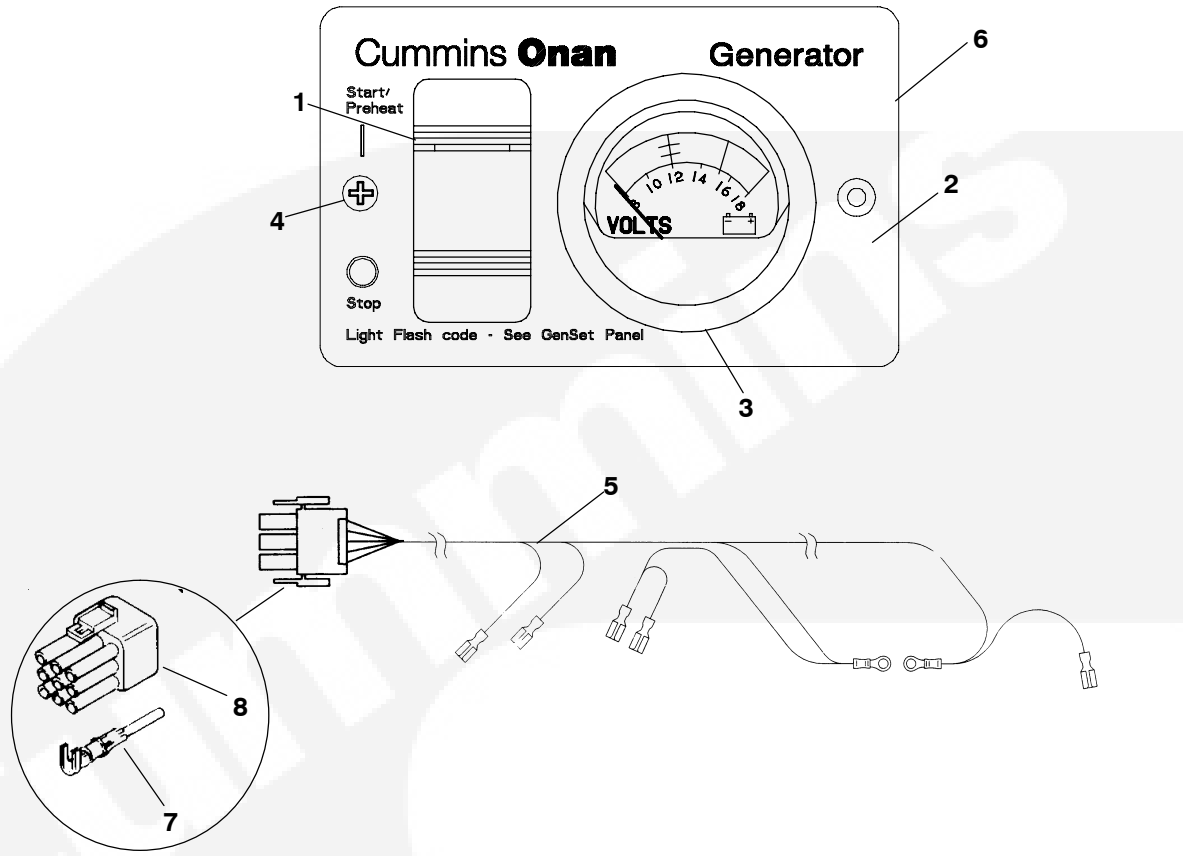
Remote Switch/Hourmeter Panel



REF NO.	PART NO.	QTY USED	PART DESCRIPTION	REF NO.	PART NO.	QTY USED	PART DESCRIPTION
	300-4943	1	Kit, Switch/Hourmeter Remote Panel	4	302-2002	1	Hourmeter
1	815-0910	2	Screw, Wood Mounting (#6 x 1)	5	338-3475	1	Harness, Remote Panel (Includes Pins and Plug)
2	319-6988-02	1	Panel, Printed	6	323-1199	4	Pin, Contact
3	308-1062	1	Switch, Rocker	7	323-1291	1	Plug (9 Pin)



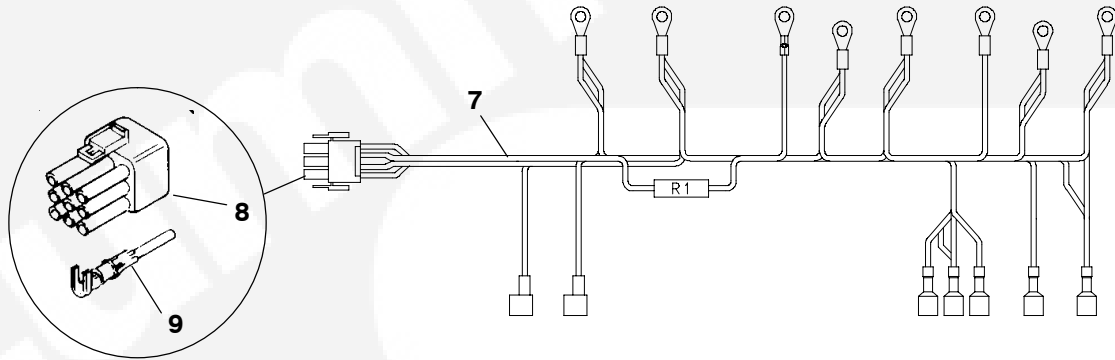
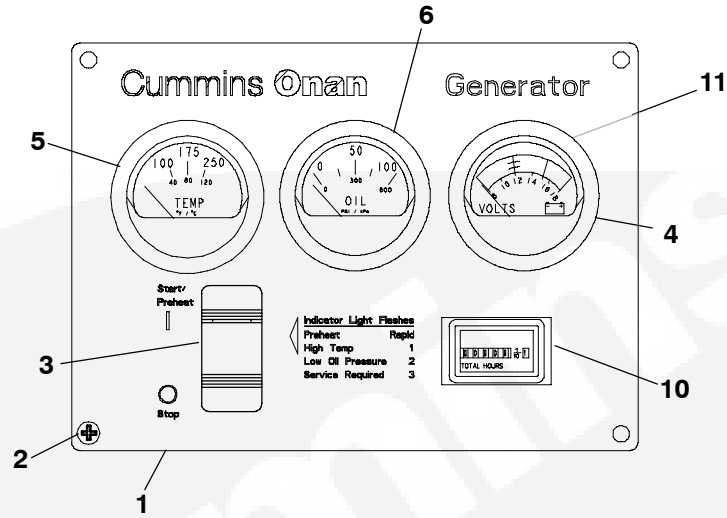
Remote Switch/Voltmeter Panel



REF NO.	PART NO.	QTY USED	PART DESCRIPTION	REF NO.	PART NO.	QTY USED	PART DESCRIPTION
	300-4944	1	Kit, Remote Switch/Voltmeter Panel	6			Hardware, Meter Mounting
1	308-1062	1	Switch, Rocker	526-0409		2	Washer, Nylon (3/16")
2	319-6989-03	1	Panel, Printed	526-0049		4	Washer, Flat (#10)
3	302-1641	1	Meter, Voltage	871-0010		4	Nut, Hex Brass Machine (#10-32)
4	815-0910	2	Screw, Wood Mounting (#6 x 1)	850-0030		2	Washer, Lock (#10)
5	338-3509	1	Harness, Remote Panel (Includes Pins and Plug)	7	323-1199	4	Pin, Contact
				8	323-1291	1	Plug (9 Pin)

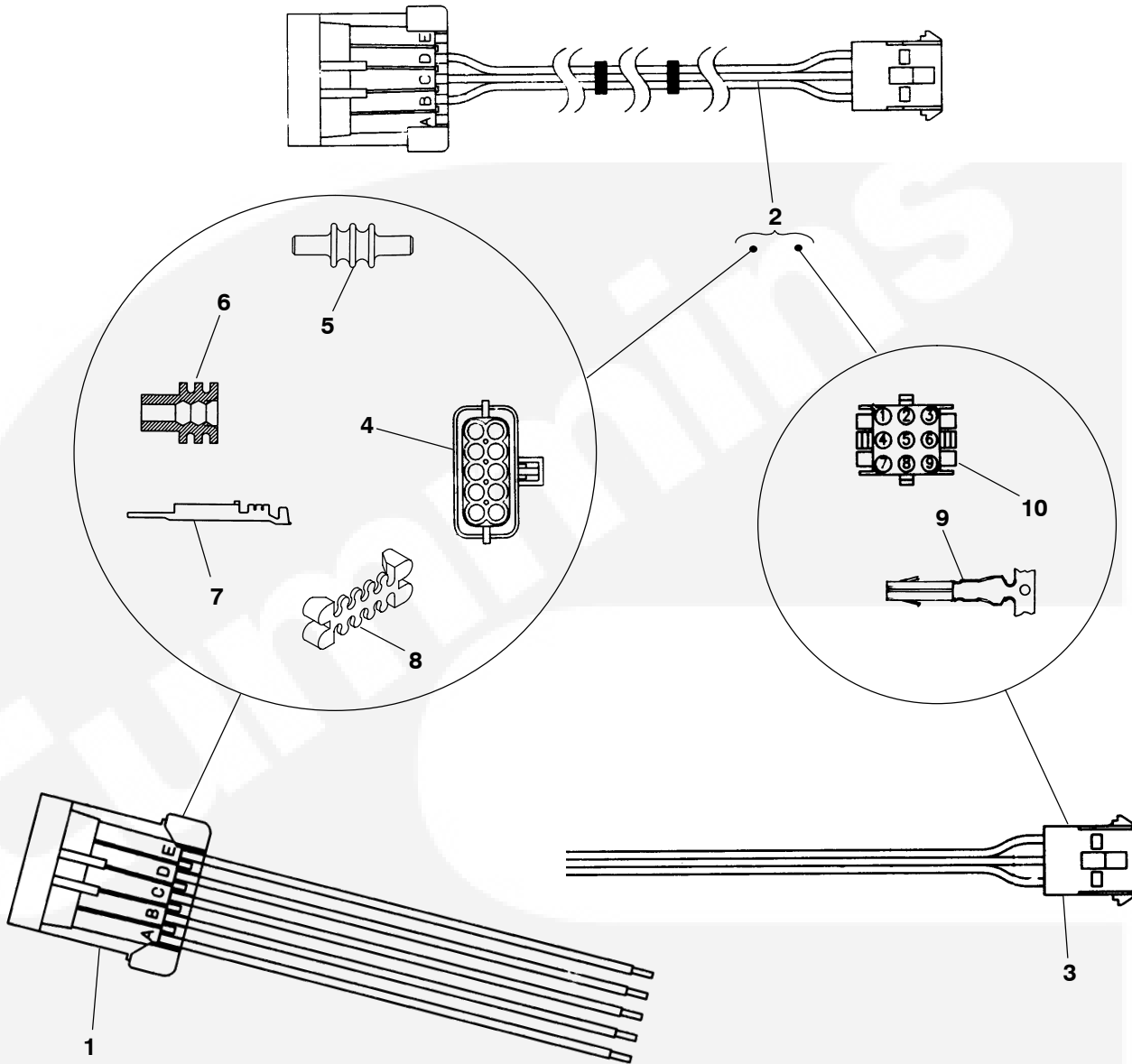


Remote Gauge Panel



REF NO.	PART NO.	QTY USED	PART DESCRIPTION	REF NO.	PART NO.	QTY USED	PART DESCRIPTION
	300-5027	1	Kit, Remote Gauge Panel	8	323-1291	1	Plug (9 Pin)
1	319-6993	1	Panel, w /Decal	9	323-1199	8	Pin, Contact
2	808-0023	4	Screw, Pan Head Sheet Metal Mounting (#8 x 1/2")	10	302-2002	1	Hourmeter
3	308-1062	1	Switch, Rocker (SPDT)	11			Hardware, Meter Mounting
4	302-1641	1	Meter, Voltage	526-0409		8	Washer, Nylon (3/16")
5	193-0351	1	Gauge, Water Temperature	526-0049		16	Washer, Flat (#10)
6	193-0352	1	Gauge, Oil Pressure	871-0010		16	Nut, Hex Brass Machine (#10-32)
7	338-3637	1	Harness, Remote Panel (Includes Plug and Pins)	850-0030		8	Washer, Lock (#10)

Remote Harnesses



REF NO.	PART NO.	QTY USED	PART DESCRIPTION
1	300-4947	1	Harness, Remote (Includes Parts Marked *)
2			Harness, Remote Panel (Includes Parts Marked +)
	338-3490-01	1	10'
	338-3490-02	1	30'
3	338-3573	1	Harness, Adapter (Includes Parts Marked #)
4	323-1710	1	+*Connector, Receptacle
5	323-1712	2	+*Plug, Cavity

REF NO.	PART NO.	QTY USED	PART DESCRIPTION
6	323-1708	8	+*Seal, Cable
7	323-1707	8	+*Pin, Contact
8	323-1719	1	+*Housing, Lock
9	323-1200	AR	+ #Socket, Contact
10	323-1325	1	+ #Cap, Connector*

- Parts Included in Remote Harness (300-4947).
+ - Parts Included in Remote Panel Harness (338-3490).
- Parts Included in Adapter Harness (338-3573).

Labels, Miscellaneous

REF NO.	PART NO.	QTY USED	PART DESCRIPTION	REF NO.	PART NO.	QTY USED	PART DESCRIPTION
543-0018-02		1	Label, Ground				
98-8190		1	Label, Packaged (Includes Parts Marked +)				10kW
98-6476		1	+Label, Ground	98-7398-01		2	Label, Model Ident (10000)
98-7497-01		1	+Label, Warning Install	98-8192-01		1	Label, Information (Breaker 45 AMP)
98-7498-02		1	+Label, Warning Voltage	98-8767		1	Label, Logo
98-8385		1	Label, Information (Control)				12kW
98-8816		1	Label, Certification	98-7398-02		2	Label, Model Ident (12000)
98-8718		2	Label, Logo	98-8192-02		1	Label, Information (Breaker 50 AMP)
98-8720		2	Label, Logo	98-8766		1	Label, Logo
98-8333		1	Label, Emissions (Kubota)				
98-7476		1	Label, Packaged				
98-7244		1	Label, Packaged				



Numerical Index

<u>Part No.</u>	<u>Page</u>	<u>Part No.</u>	<u>Page</u>	<u>Part No.</u>	<u>Page</u>	<u>Part No.</u>	<u>Page</u>
098-6476, 62		104-2037, 10		122-0883, 24		132-0448, 38	
098-7244, 62		104-2038, 10		122-0884, 24		132-0449, 19	
098-7398-01, 62		104-2039, 9		122-0886, 24		134-5341-02, 48	
098-7398-02, 62		104-2040, 9		122-0893, 24, 25		140-3050, 35	
098-7476, 62		104-2041, 10		122-0914, 25		140-3071, 35	
098-7497-01, 62		104-2042, 10		122-0915, 25		140-3072, 35	
098-7498-02, 62		104-2043, 10		122-0916, 25		140-3519-01, 35	
098-8190, 62		104-2044, 10		123-2240-03, 37		146-0909, 17	
098-8192-01, 62		104-2132, 20		123-2253, 23		147-0882, 32	
098-8192-02, 62		104-2172, 10		123-2254, 23		147-0892, 29, 30	
098-8333, 62		105-0740, 32		123-2261, 12		147-0984, 32	
098-8385, 62		105-0741, 32		123-2262, 22		149-2513, 33	
098-8718, 62		105-0742, 11		123-2263, 12		149-2580-02, 33	
098-8720, 62		105-0773, 32		123-2264, 12		149-2726-02, 33	
098-8766, 62		105-0775, 11		123-2265, 22		149-2734-02, 48	
098-8767, 62		110-3948, 13		123-2266, 12		149-2790, 33	
098-8816, 62		110-3949, 12		130-1872, 36		150-2798, 32	
100-3909, 7		110-3951, 7		130-4320, 37		150-2800, 32	
100-4113, 7		110-3953, 12		130-4321, 37		150-2805, 14, 16	
101-0836, 9		110-3954, 8		130-4450-02, 37		150-2836, 14, 16	
101-0837, 29, 30		110-3987, 8		130-4748, 36		150-2837, 32	
101-0874, 7		110-4114, 8		130-6171, 37		150-2838, 32	
102-1523, 26		110-4116, 8		130-6246, 37		150-2839, 32	
102-1572, 26		110-4117, 8		130-6247, 37		150-2840, 15	
102-1574, 26		110-4118, 8		130-6248, 37		150-2841, 15	
103-0832, 19		110-4119, 8		130-6249, 48		150-2842, 14, 16	
103-0833, 19		110-4120, 8		130-6250, 48		150-2843, 17	
103-0865, 18		110-4122, 13		130-6322, 40		150-2844, 15, 18	
104-2020, 20		110-4123, 13		130-6329, 39, 40		150-2847, 14	
104-2022, 20		112-0298, 10		130-6330, 39, 40		150-2848, 32	
104-2029, 9		112-0299, 10		130-6331, 39, 40		150-2852, 15	
104-2030, 10		112-0339, 10		130-6333, 39		150-2853, 18	
104-2031, 9		112-0340, 10		130-6334, 39, 40		150-2993, 32	
104-2032, 9		112-0341, 10		130-6347, 38		152-0373, 29	
104-2033, 10		115-0509, 13		130-8174-02, 37		152-0379, 15	
104-2034, 10		120-1386, 25		132-0444, 38		154-2800, 45, 46	
104-2035, 9		122-0476, 24		132-0446, 38		154-3033, 45, 46	
104-2036, 10		122-0882, 24		132-0447, 38		154-3188, 34	

Numerical Index

<u>Part No.</u>	<u>Page</u>	<u>Part No.</u>	<u>Page</u>	<u>Part No.</u>	<u>Page</u>	<u>Part No.</u>	<u>Page</u>
154-3189,	44	185-2976,	26	185-5397,	31	185-5874,	19
154-3288,	44	185-4255,	19	185-5398,	31	185-5877,	19
154-3289,	34	185-5147,	14, 16	185-5399,	31	185-5878,	19
155-4411,	45	185-5337,	27, 28, 31	185-5400,	31	185-5879,	19
155-4662,	46	185-5363,	31	185-5401,	31	185-5880,	19
181-9034,	17	185-5364,	31	185-5402,	31	185-5893,	9
181-9231,	22	185-5365,	31	185-5403,	31	185-5899,	9
181-9238,	12	185-5366,	31	185-5404,	31	185-5900,	11
184-0023,	7	185-5367,	31	185-5405,	31	185-5901,	11
185-2093,	12, 23	185-5368,	31	185-5406,	31	185-5905,	11, 41
185-2094,	7	185-5369,	31	185-5445,	44	185-5906,	11
185-2105,	19	185-5370,	31	185-5483,	7	185-5915,	10
185-2106,	29, 30, 39, 40, 44	185-5371,	31	185-5492,	7	185-5917,	10
185-2188,	8	185-5372,	31	185-5495,	26	185-5918,	10
185-2233,	7	185-5373,	31	185-5529,	15	185-5921,	10
185-2234,	7	185-5374,	31	185-5608,	27, 28	185-5922,	10
185-2284,	15	185-5375,	31	185-5612,	27, 28	185-5924,	10, 11
185-2338,	7	185-5376,	31	185-5615,	27, 28	185-5925,	10
185-2345,	27, 28	185-5377,	31	185-5616,	31	185-5928,	10
185-2350,	7	185-5378,	31	185-5617,	31	185-5929,	10
185-2351,	15	185-5379,	31	185-5618,	31	185-5930,	10
185-2352,	21	185-5380,	31	185-5619,	31	185-5931,	10
185-2367,	8, 40	185-5381,	31	185-5621,	31	185-5947,	32
185-2384,	12	185-5382,	31	185-5727,	18	185-5949,	32
185-2385,	27, 28	185-5383,	31	185-5837,	7	185-5962,	32
185-2388,	18, 29, 30	185-5384,	31	185-5840,	7	185-5963,	32
185-2389,	29, 38	185-5385,	31	185-5841,	7	185-5979,	29, 30
185-2390,	15, 19	185-5386,	31	185-5842,	7	185-5985,	27, 28, 31
185-2400,	11	185-5387,	31	185-5843,	7, 19	185-5990,	27, 28
185-2401,	40	185-5388,	31	185-5844,	7	185-6004,	39, 40
185-2402,	34, 39	185-5389,	31	185-5848,	21	185-6016,	13
185-2403,	9	185-5390,	31	185-5849,	21	185-6017,	13
185-2404,	9, 38	185-5391,	31	185-5851,	21	185-6018,	13
185-2412,	8	185-5392,	31	185-5861,	8	185-6019,	13
185-2414,	8	185-5393,	31	185-5862,	8	185-6022,	13
185-2561,	16	185-5394,	31	185-5865,	8	185-6025,	13
185-2563,	8	185-5395,	31	185-5867,	8	185-6026,	13
185-2565,	19, 39, 40	185-5396,	31	185-5868,	8	185-6028,	13

Numerical Index

<u>Part No.</u>	<u>Page</u>	<u>Part No.</u>	<u>Page</u>	<u>Part No.</u>	<u>Page</u>	<u>Part No.</u>	<u>Page</u>
185-6029,	13	185-6991,	29, 30	232-3296,	53	323-1614-01,	55
185-6030,	13	185-6996,	29	232-3755-02,	53	323-1615,	55
185-6039,	7	185-7003,	27, 28	232-4145,	53	323-1707,	61
185-6040,	7	185-7004,	28	232-4229,	9	323-1708,	55, 61
185-6046,	26	185-7006,	27, 28, 31	234-1020,	53	323-1710,	61
185-6048,	8	185-7008,	27, 28, 31	300-4942,	57	323-1711,	55
185-6072,	11	185-7013,	38	300-4943,	58	323-1712,	61
185-6076,	10	185-7031,	21	300-4944,	59	323-1719,	55, 61
185-6093,	27, 28	185-7069,	21	300-4947,	61	323-1773,	55
185-6103,	12, 34	185-7120,	19	300-5027,	60	323-1819-01,	55
185-6107,	13	185-7134,	29, 30	300-5961,	54	323-2166,	55
185-6108,	13	185-7166,	15, 18	302-1641,	59, 60	332-1356,	56
185-6121,	7	185-7221,	13	302-2002,	51, 58, 60	332-1554,	56
185-6171,	14	185-7298,	39	302-2084,	19	332-2921,	23
185-6392,	26	185-9016,	8	306-5438,	11	332-3408,	56
185-6481,	19	185-9034,	15	307-1886,	55	332-3531-03,	56
185-6711,	19	190-0753,	42	308-1019,	55	333-0707,	14
185-6713,	19	190-0754,	42	308-1038,	51	337-0090,	47
185-6722,	39	190-0759,	42	308-1062,	57, 58, 59, 60	337-3739,	27, 28
185-6728,	26	191-2229,	20	315-0899,	35	338-3475,	58
185-6759,	14, 16, 19	192-0451,	42	315-1650-02,	35	338-3490-01,	61
185-6766,	9	192-0452,	42	319-5199-03,	54	338-3490-02,	61
185-6771,	10	193-0318,	39, 40	319-5200-03,	54	338-3509,	59
185-6772,	32	193-0351,	60	319-6988-01,	57	338-3573,	61
185-6773,	32	193-0352,	60	319-6988-02,	58	338-3637,	60
185-6785,	44	201-3506-S3,	53	319-6989-03,	59	338-3812,	57
185-6789,	13	201-3506-S4,	53	319-6993,	60	338-4384,	56
185-6825,	31	205-0220,	53	320-2441-02,	51	338-4461,	55
185-6848,	44, 45, 46	205-0320-02,	36	320-2441-03,	51	338-4498,	56
185-6953,	26	211-0447-01,	53	323-1199,	58, 59, 60	402-0680-03,	48
185-6956,	26, 32	212-1276-03,	53	323-1200,	61	402-0728-01,	48
185-6957,	8, 13, 19, 38, 39, 40	212-1285-S0,	53	323-1291,	58, 59, 60	402-0728-02,	48
185-6961,	19	212-1286-S0,	53	323-1325,	61	403-5356-02,	48
185-6973,	10	212-1308-02,	49	323-1492,	57	403-5359-02,	48
185-6981,	27, 28	214-0103,	53	323-1541,	57	403-5382-03,	48
185-6987,	29, 30	220-4649-01,	53	323-1542,	55	403-5450-02,	36
185-6988,	29, 30	220-4649-03,	53	323-1544,	55	403-5451-02,	24
185-6989,	29, 30	231-0347,	53	323-1591,	55	403-5519-02,	48

Numerical Index

<u>Part No.</u>	<u>Page</u>	<u>Part No.</u>	<u>Page</u>	<u>Part No.</u>	<u>Page</u>	<u>Part No.</u>	<u>Page</u>
403-5520-02, 48		501-0886, 28		505-0139, 24		512-0279, 42	
403-5552-02, 48		502-0313, 33		505-0180, 37		512-0283-02, 42	
403-6072-02, 48		502-0804, 24		505-2251, 29		512-0287-01, 42	
403-6764-02, 25		502-1296-02, 33		505-2252, 39, 40		512-0287-02, 42	
405-5380-05, 51		502-1299, 33		505-2256, 19		512-0294, 43	
405-5508-SO, 23		502-1367-05, 39, 40		505-2258, 29, 30		512-0302, 43	
405-5898-S1, 49		502-1505, 24		505-2519, 7		512-0447, 38	
405-7773, 53		502-1506, 24		506-0027, 15		515-0320, 10	
405-7774, 53		502-1529, 37		506-0028, 14, 16		516-0247, 20	
405-7808, 54		503-0731, 29		507-0006, 10		517-0138-09, 48	
405-8238-02, 36		503-1137, 37		507-0007, 11		517-0273, 33	
405-8249-02, 49		503-1138, 37		507-0008, 11		517-0370, 19	
405-8250, 49		503-1141, 35		508-0071, 48		517-0371, 22	
405-8252, 49		503-1142, 35		508-1049-04, 53		517-0373, 7	
405-8284, 48		503-1148, 35		508-1105, 55		517-0374, 18	
405-8285, 36		503-1951-09, 33, 37		508-1216, 11		518-0712, 32	
405-8294-SO, 49		503-1951-12, 33, 37		509-0196, 53		518-0713, 32	
405-8352-02, 49		503-1951-13, 33		509-0329, 37		518-0732, 10	
405-8489, 36		503-1951-35, 37		509-0409, 17		520-1000-03, 53	
405-8491, 36		503-1952-06, 33		509-0410, 19		520-1000-04, 53	
405-8499, 36		503-1959, 37		509-0411, 26		520-2655, 38	
405-8500, 36		503-2052, 33		509-0412, 19		520-2697, 44	
405-8519, 48		503-2059, 37		509-0413, 19		524-0118, 53	
405-8721-02, 49		503-2078, 33		509-0414, 12		526-0003, 55	
405-8722, 49		503-2435, 35		509-0415, 19		526-0014, 48	
405-9147, 49		503-2436, 35		509-0416, 9		526-0029, 53	
405-9148, 36		503-2446, 35		509-0417, 7		526-0049, 59, 60	
405-9149, 36		503-2497, 35		509-0418, 18		526-0054, 56	
405-9150, 36		503-2500, 37		509-0419, 38		526-0174, 48	
405-9540-02, 36		503-2501, 37		509-0420, 53		526-0324, 48	
405-9578, 36		503-2551, 12		509-0555, 15		526-0399-56, 53	
405-9821-SO, 49		503-2552, 39, 40		510-0214, 32		526-0399-64, 20, 24, 25,	
405-9822-SO, 49		503-2553, 39, 40		510-0215, 38		45, 46, 48	
406-1071, 11		503-2554, 37		511-0214, 42		526-0409, 59, 60	
501-0804-01, 33		503-2555, 37		511-0219, 43		526-0461, 42	
501-0848, 24		503-2970, 25		512-0199, 42		526-2080, 53	
501-0884, 27, 28		503-2971, 25		512-0274, 43		526-2100, 53	
501-0885, 27, 28		503-3135, 40		512-0276, 41, 42		526-2120, 42, 47, 48, 56	
						526-2140, 47	

Numerical Index

<u>Part No.</u>	<u>Page</u>	<u>Part No.</u>	<u>Page</u>	<u>Part No.</u>	<u>Page</u>	<u>Part No.</u>	<u>Page</u>
541-1168,	10	800-6542,	26	862-0003,	53		
541-1169,	10	800-6543,	19	862-0015,	56		
543-0018-02,	62	800-6546,	19	868-0007,	33		
718-1035,	23, 53	800-6547,	26	870-0257,	33		
725-1051,	46	808-0023,	60	870-0506,	35		
740-1006,	36	812-0070,	56	870-2054,	36, 56		
740-1008,	20	815-0549,	51	870-2055,	24, 45, 46		
800-0052,	42	815-0600,	20	870-2056,	47, 48		
800-0055,	48	815-0861,	48	870-2065-02,	43		
800-0309-89,	53	815-0888,	35	870-2065-03,	45		
800-2006,	53	815-0910,	57, 58, 59	871-0010,	59, 60		
800-2057,	45	815-0943-02,	54	871-0025,	56		
800-2060,	42	815-0954-02,	24, 25				
800-2066,	36	815-0954-03,	20, 45, 46				
800-2071,	42	815-0954-05,	42				
800-2072,	42	815-1599,	19				
800-2089,	53	818-0247-01,	35				
800-2515,	53	821-2032,	48				
800-3004,	23, 56	821-2033,	42				
800-3030,	48	821-2045,	48				
800-3031,	23, 47	821-2061,	47				
800-3032,	20	821-2096-02,	33, 36, 37, 48, 51, 54				
800-3033,	24, 25, 45, 46, 48	821-2096-03,	36, 48, 56				
800-6305,	14, 16	821-2096-06,	53				
800-6306,	14, 16	821-2097-06,	35				
800-6307,	15	823-1002-01,	49				
800-6327,	13	823-1002-03,	25				
800-6328,	39, 40	850-0030,	59, 60				
800-6329,	9	850-2005,	53				
800-6330,	12	850-2008,	42, 45, 46				
800-6331,	39, 40	850-2010,	53				
800-6332,	39, 40	854-0028,	33				
800-6333,	29, 30	856-0010,	47, 56				
800-6334,	14, 16, 19	856-0013,	47				
800-6335,	13	860-2005,	55				
800-6340,	26	860-2032,	15				
800-6497-01,	49	860-2070,	17				
800-6497-02,	49	860-2136,	44				

Cummins

Cummins **Onan**

Cummins Power Generation

1400 73rd Ave. NE
Minneapolis, MN 55432 USA

Phone 1 763 574 5000

Toll-free 1 800 888 6626

Fax 1 763 574 5298

Email www.cumminsonan.com/contact

www.cumminsonan.com

Cummins®, Onan®, the "C" logo, and "Performance you rely on." are trademarks of Cummins Inc.

©2007 Cummins Power Generation, Inc. All rights reserved.

