

PGDX Single Unit Controller Kits

Bard Manufacturing Company's PLC controlled units can be controlled using the PGDx color touch screen display and the logic pre-programmed in the unit. The PGDX can be used to operate a single MEGA-TEC[®] unit and includes both a temperature and humidity sensor. Each kit includes a PGDX display that is installed inside the area being conditioned along with an enclosure.



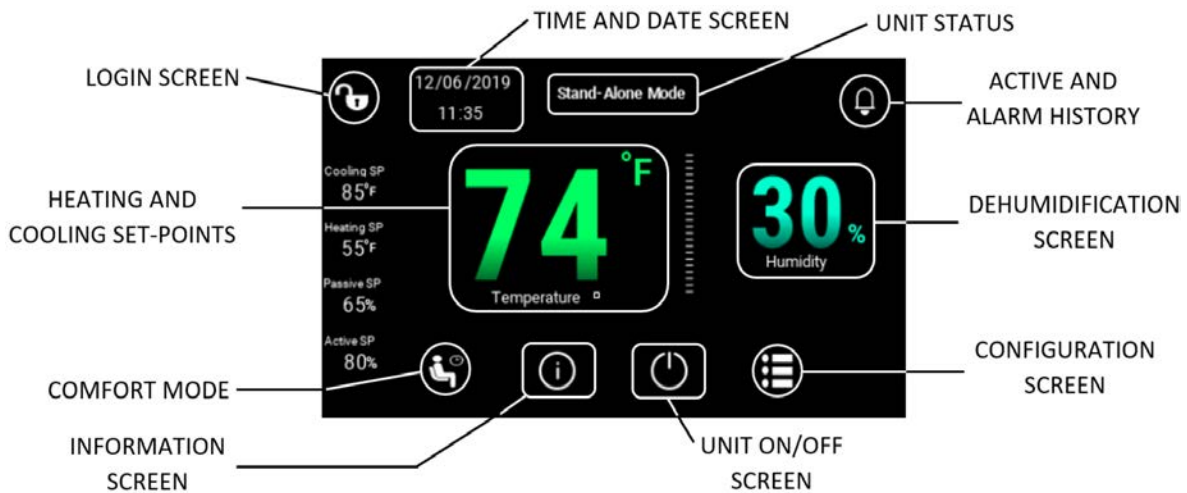
PGDX DISPLAY KIT PART NUMBERS

The PGDx display kits contain the components needed to operate a single MEGA-TEC Wall Mount. By connecting the display to the unit, room conditions and alarm displays can be achieved inside the climate controlled area.

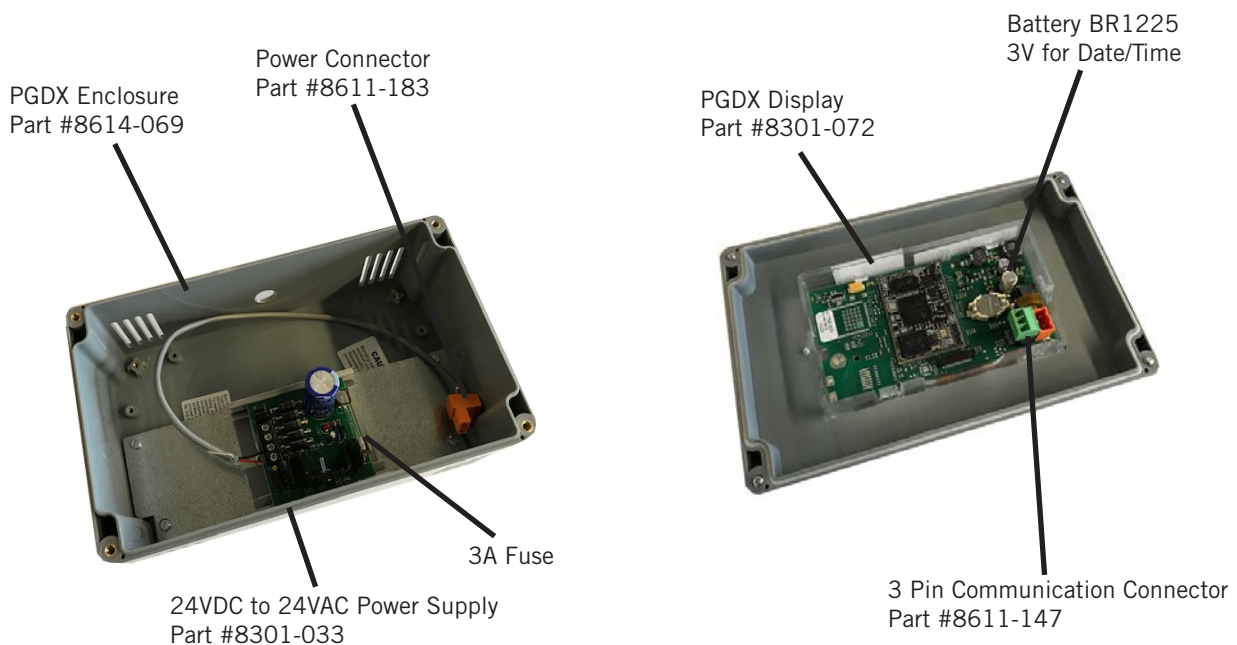
BARD PART NO.	PART NAME	DESCRIPTION
8620-308	PGDx Display Kit	The PGDx Display kit includes the PGDx display, an enclosure box with a built-in power supply, Room temperature and humidity are monitored through sensors built into the color touch screen display assembly. 4 conductor shielded cable to connect PGDx to MEGA-TEC unit is field supplied. Maximum cable conductor length is 1640ft (500m).

NOTE: A PGD display (Bard P/N 8301-053) or TEC-EYE diagnostic tool (Bard P/N 8301-059) will be needed to commission the MEGA-TEC wall unit. Neither are included with the 8620-308 PGDx display kit.

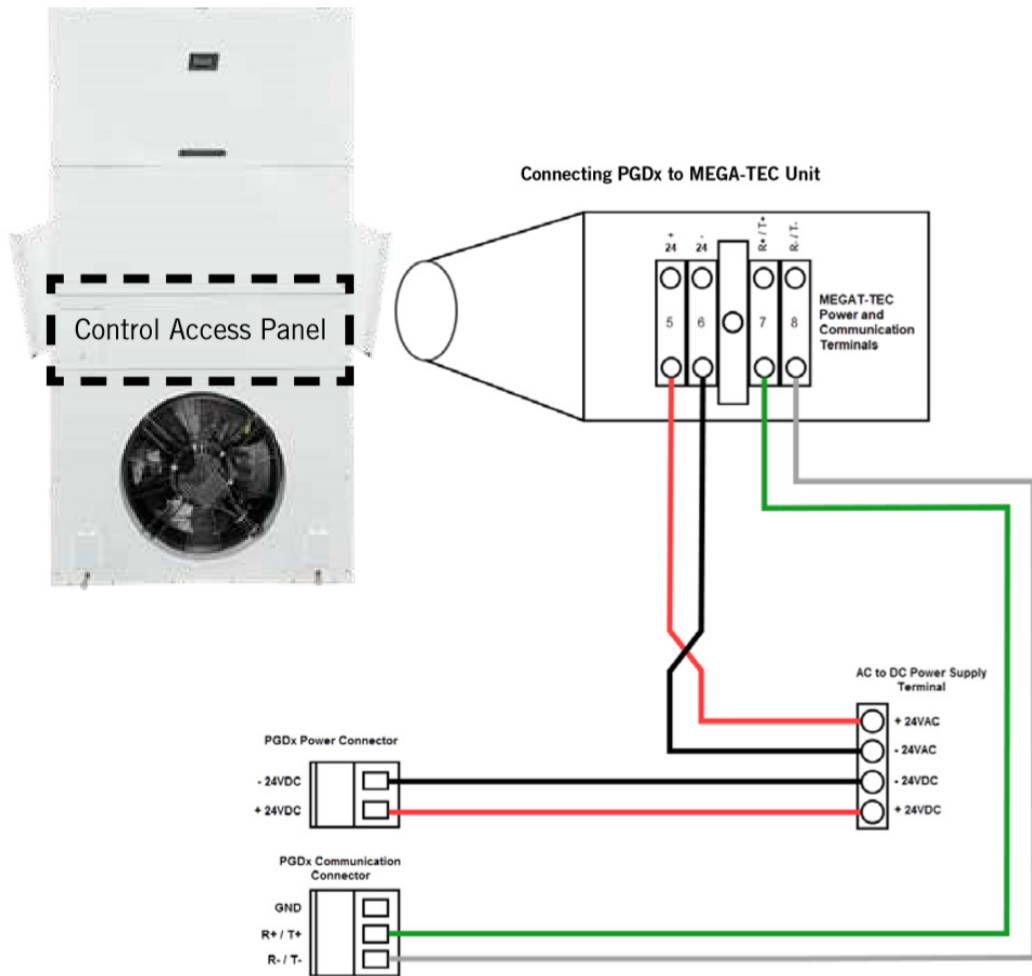
PGDX MAIN DISPLAY



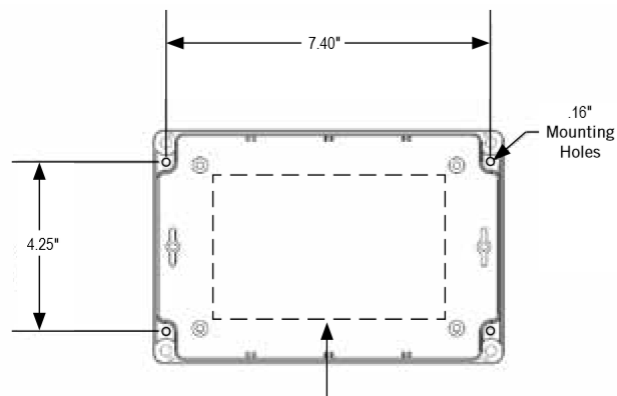
PGDX FUNCTIONAL COMPONENTS



///// UNIT CONNECTIVITY



///// CONTROL MOUNTING PATTERN



Place access hole within dotted line. Polycarbonate plastic box construction allows for easy hole drilling where needed.

Job Information: Contact information may be used to follow up with customers and also review if questions arise about the commissioning and system checkout. Please fill out all data that is applicable.	
Job Visit Date:	Customer Name:
Job Name:	HVAC Installer:
Job Address:	Site Technician:
Job City/State:	Rep/Distributor:

Zone Information: Record the following information based on the setup blueprints/job specifications:					
Zone:	Cooling Set point	Heating Set point	Free cooling Temperature	Free cooling Hum. RH%	Free cooling Dew point
Zone 1					

Inputs Connected to Controller: Record the following information:			
Digital Input Configuration	Wired in unit to PLC?	Contact Direction	Config. (Enabled)
Smoke Alarm			

Unit Information: Record the following information located on serial plate, PGD information, and blueprints:		
Unit Model #	Unit Serial #	Unit Software Version

Unit Data: Record the following PGD information and Amp Clamp/Meter readings:								
Unit Amps	Unit Voltage	24VAC on 208V tap?	Phasing Correct?	Sensors Accurate?	Blower Amps	Comp. Amps	Cond. Fan Amps	Hi/Lo Pressures (transducer only)

Unit Data: Record the following PGD information:				
Superheat	Subcooling	Outdoor Air Temperature	Indoor Air Temperature	Return Air Temperature



Bard Manufacturing Company, Inc.
 1914 Randolph Dr., Bryan, OH 43506
 419-636-1194
www.bardhvac.com

Due to our continuous product improvement policy, all specifications subject to change without notice.

///// **INSTALLER NOTES:**