



In finishes to  
match your  
surroundings

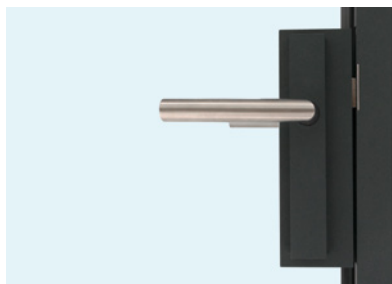
## UNIQUIN

The access and room  
system with  
lifestyle character

UNIQUIN,  
the versatile access  
and room system for  
enhanced interior  
architecture.

dormakaba 

# Contents



**03** **Intelligent design**  
Visually attractive,  
solid construction



**04** **Smart spatial  
planning**  
For different areas  
of life



**08** **Compelling benefits**  
For architects and  
installers



**09** **At a glance**  
Elements  
Assembly types



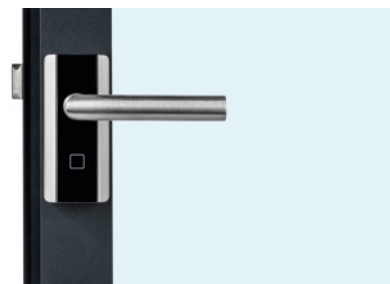
**10** **Fixed elements**  
Technical data  
Drawings



**13** **Single-action doors**  
Installation options  
Frame sizes



**16** **Sliding door**  
MUTO Comfort L 80



**17** **Doors**  
Technical data  
Optional compo-  
nents



**18** **Acoustic modules**  
Function, material,  
structure

## The ideas man

**UNIQUIN was conceived by Hubert Elmer.** The lateral thinker from Austria has already made a name for himself in architecture and design. His MANET product design has won numerous awards and with its striking aesthetic appeal, also proven highly popular in practice. Now, Elmer has developed

a multifunctional profile system for room configuration and access applications that appeals on both the visual and the structural level. Combining his extensive experience with a keen appreciation of evolving user requirements, he has joined a number of innovative ideas into a single concept: UNIQUIN.



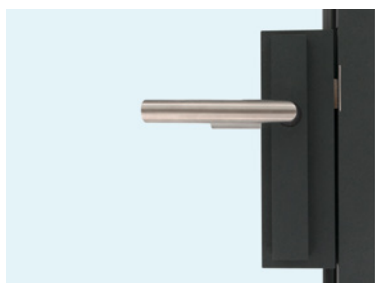
Hubert Elmer, inventor of UNIQUIN, lives and works in Innsbruck, Austria

"My goal was to create a profile system that impresses through its light yet uniform appearance, while at the same time being easy to configure and install." – **Hubert Elmer**

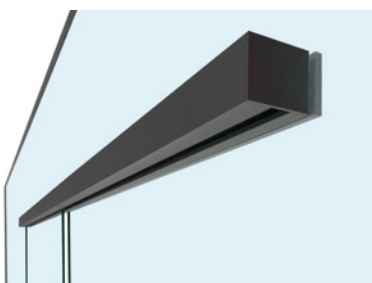
## Elements with a single identity

**UNIQUIN enhances your interior architecture.** The system, made in Germany, comprises flush-fitting profiles complemented by hardware and locking systems in the same coordinated design. The aluminum profiles and the visible functional elements are powder-coated to give them a resistant surface that

can be selected in a color to match the setting. The textured coating in graphite is typical for UNIQUIN and particularly robust. UNIQUIN can be fitted with fixed elements made of glass, timber or other materials in thicknesses between 10 and 19 mm.



Coordinated design for frame and lock element



Sliding doors can also be effortlessly integrated



You can combine other dormakaba components such as the TS 97 door closer

## Award-winning design



### UNIQUIN recognized with the Iconic Award.

The internationally renowned German Design Council awards this honor to innovative products, for example, from all segments of architecture, the construction and real estate sectors and manufacturing industries.



In addition to graphite, other subtle colors go well with contemporary architecture. Other RAL colors are available on request.



# UNIQUIN

## The system for communicative room designs

01

### Sliding door

Create access points without losing space. With UNIQUIN you can incorporate single or double-leaf sliding doors with ease.

02

### Room-height single-action door

Incorporate door systems measuring up to 3 meters in height. These prestigious access points create a striking impression.

03

### Corners

Create rooms with continuous transparency and without vertical posts even in 90° room corners.

04

### Electrification

You can position switches, sockets or electronic connections at the door frame profiles. The cable supply is provided invisibly within the profiles.



Enhance your interior design. The system comprises partitions and door solutions that offer coordinated, attractive design coupled with impressive application versatility. For effortlessly combined transparency and discretion: UNIQUIN.

05

**Acoustic module**

The acoustic modules from UNIQUIN absorb sound waves from within to create a pleasant ambient feel. The fabric covering can be individually printed and backlit\*. Whether it's an eye-catching detail or discreet background – you decide.

06

**Sound protection**

The decoupled mounting of your desired material in thicknesses between 10 to 19 mm reduces sound transmission. When using laminated safety glass with special sound protection films, the effect is even maximized: more transparency, less noise.

07

**Single-action door**

Whether doors for selective visual privacy or homely accents, again, the choice is yours. With frames in a coordinated design for glass doors in 10-19 mm thickness and timber doors in 40-50 mm thickness.

08

**Door assemblies in structural openings**

You can also use the same frame profiles from UNIQUIN for classic single-door solutions, giving a uniform, coordinated look throughout the entire building.

\* Concept and installation by others

## One system, many purposes



Transparent: Rooms created with UNIQUIN are bright and friendly.

Relaxation areas such as **lounges or break rooms** are given a new, communicative atmosphere with UNIQUIN: glass walls combined with attractive design from UNIQUIN create open and enticing spaces. Acoustically

separated from the hustle and bustle, they nevertheless remain integrated into the overall atmosphere. Here everyone can find the peace of mind they need to relax while staying close to the action.



The UNIQUIN frame system is suitable both for rooms where full transparency is desirable and for individual door solutions. Variation is also possible: Timber, for example, can provide visual interest and discretion where it is required.

**Conference rooms** should be focal points for focused and creative work, to which transparency need be no hindrance. Quite the contrary: an open room with natural daylight penetration and a wide panorama create a pleasant and motivating atmosphere. This also helps in

those decisive moments when thoughts need to be gathered and ideas allowed to mature. With UNIQUIN, conference rooms benefit from reduced inward and outward sound transmission, helping to promote productivity and creativity.

## Divides space without filling it



UNIQUIN offers particular benefits when it comes to efficiently harnessing space and natural light, for example in hotels. Harmonious: UNIQUIN profiles as well as the sliding door's track rail and pull handle offer a perfect match with the design concept, offering uniformity in both color and shape.

### Great in small spaces

UNIQUIN's strengths come to the fore wherever limited space needs to be utilized with maximum efficiency. The system allows you to structure the available space, while keeping all sections interconnected – so the feeling of spaciousness is maintained. In a hotel room, guests can

experience the space in its entirety – regardless of where they are within the suite. With UNIQUIN, divided spaces appear to gain size, light and ambience. And, especially where space must be used efficiently, this increases the feeling of luxury.



With its open design, UNIQUIN scores highly wherever a view into neighboring rooms is desirable – for example in fitness suites. The acoustic modules can be individually printed, offering visual highlights as well as enhancing the ambient sound of the space.

### Large rooms acoustically separated, visually united

With UNIQUIN, you create rooms that offer advantages in virtually any application. The modular system enables you to divide areas without restricting the panoramic view and extensive access to natural light. In terms of color, UNIQUIN fits almost any environment. The absorption of sound can be greatly enhanced by the use

of optional acoustic modules. The decoupled mounting system for the glass elements in the UNIQUIN profiles also reduces sound transmission from room to room. This makes UNIQUIN a universal solution for almost all types of room.

# UNIQUIN

## Enhance your interior architecture.

### For designers who prefer to set their own boundaries.

**UNIQUIN is an excellent option for architects and technical building equipment and interior designers when consulting clients on a concept that suits their needs.**

With UNIQUIN you can develop and configure spatial designs that stand out in terms of both quality and flexibility. The flush-fitting elements, with their slender styling, exude excellence in both material and workmanship. The profiles can be used to install both glass and materials such as timber, all in thicknesses of between 10 and 19 mm.

This allows you to adopt your own, harmonious mix of transparent and opaque elements, combining panoramic views with discreet privacy at your discretion.



UNIQUIN offers a high level of flexibility in room configuration.

#### Great scope in satisfying project requirements

- Planning variability
- All components of coordinated design
- Sound reduction indices up to 39 dB can be integrated into the system
- Aluminum profiles with special resistant powder coating in graphite; other powder-coated surfaces possible
- Suitable for installing glass or other materials from 10 to 19 mm in thickness
- All components available for ordering within the same system

#### Got a design-related or specific technical question?

Then please get in touch: <https://glas-innovationen.com/en/contact>

You can also find our animated assembly videos at <https://glas-innovationen.com/en/glass-innovations/uniquin>.

### For installers who appreciate uncomplicated quality.

**Whether you are a specialist firm or contractor, with UNIQUIN you can be sure of completing your interior outfitting project with all trades properly coordinated.**

UNIQUIN allows you to implement sophisticated room concepts quickly and easily. The system can be readily installed with standard tools in rooms of all the usual heights up to 4,000 mm. The component connections are fully coordinated and requisite cabling can be ducted through the profiles to make things even simpler. The profiles are available for delivery either in stock lengths or custom-cut – just let us know your specifications when placing the order.



Easy to install thanks to accurately machined and fabricated system components that interconnect effortlessly.

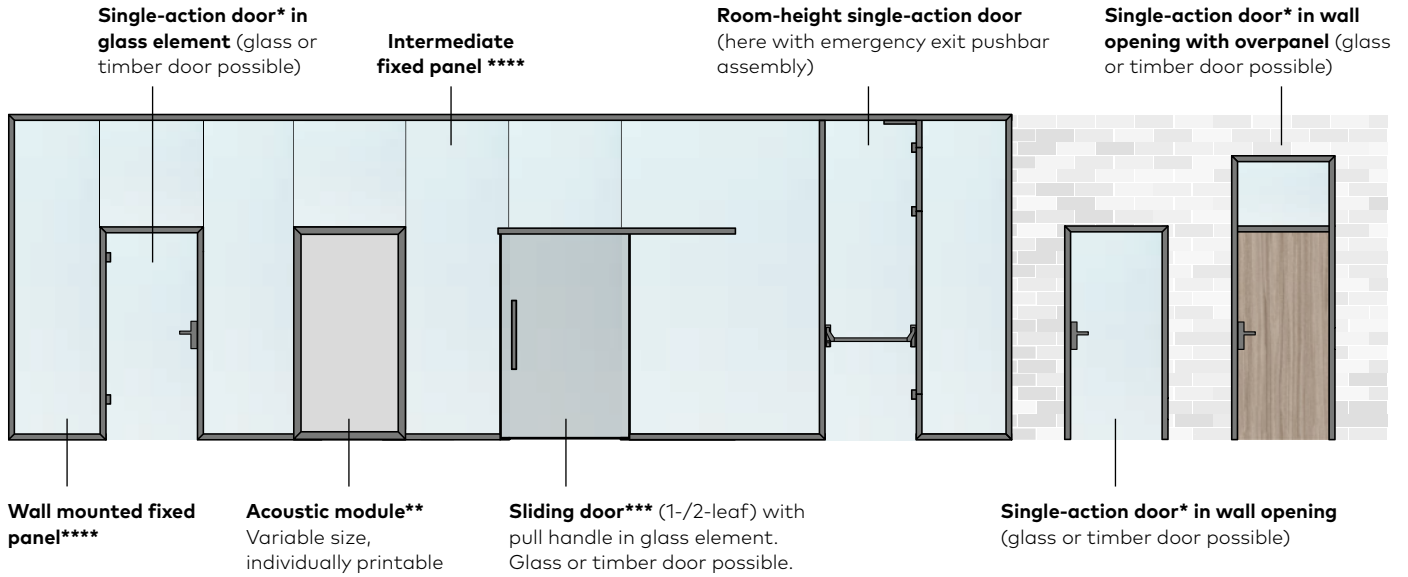
#### Beautifully simple

- Installation with standard tools
- Coordinated construction connections
- Easy to repair, reconfigure or dismantle and re-install
- Standard room heights accommodated without problem
- Profiles delivered from the factory in the required length
- Integration of electrical/electronic connections possible
- Time- and cost-saving final assembly of the cover profiles across all trades (e.g. by electricians) at the end of construction



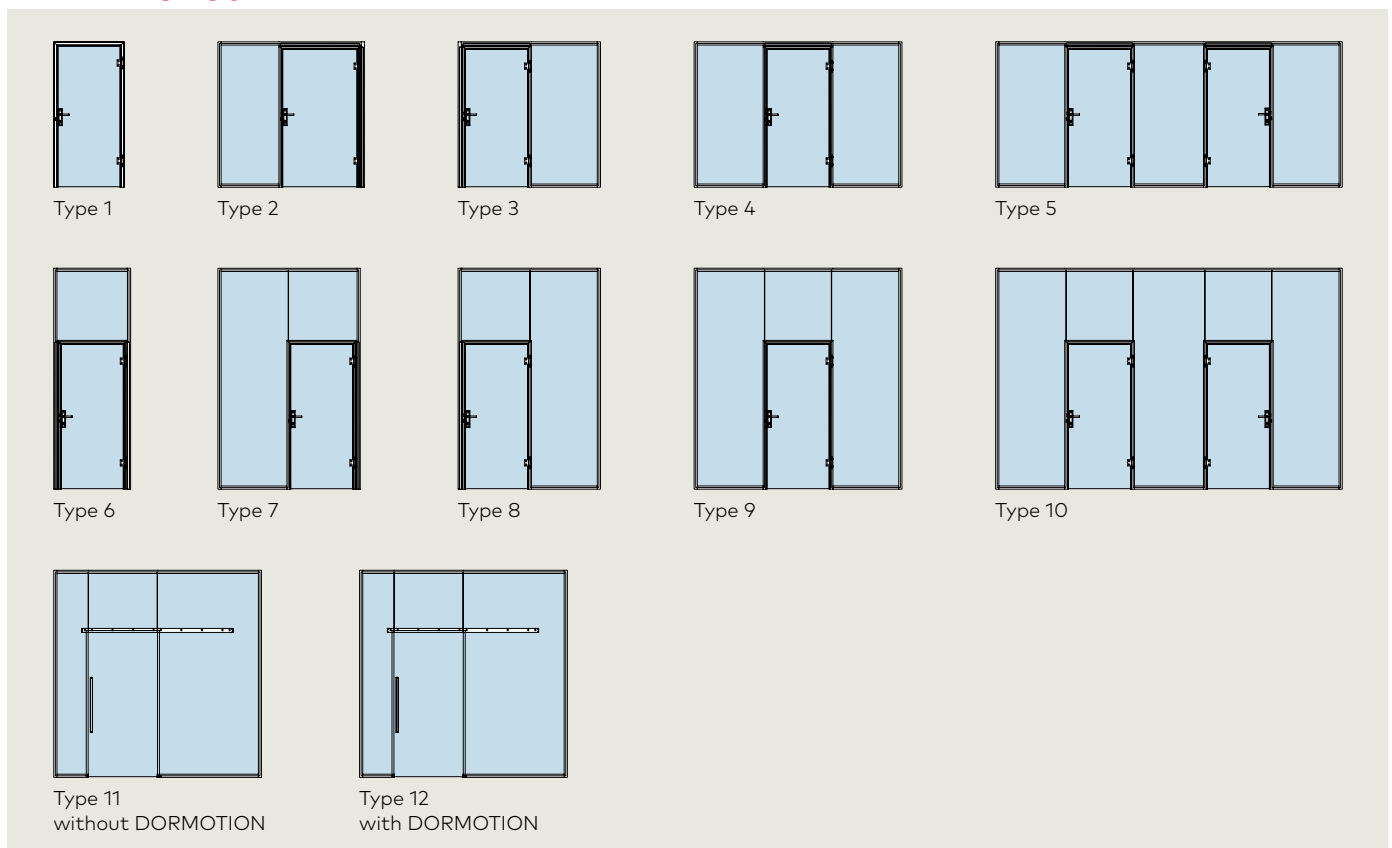
## All the elements at a glance

With UNIQUIN, you can create an interior design exactly to your taste – from comprehensive room concept to individual door solution



- \* **Scope of delivery for glass single-action door:** Frame element, hinges, standard lock (profile cylinder), lever handle
- Scope of delivery for timber single-action door:** Frame element. The hinges and lock must be provided by others.  
(Processing for mortise locks according to DIN 18251. Forend width 20 mm; backset 55 mm; center distance 72 mm)
- \*\* **Scope of delivery for acoustic module:** Frame profile, acoustic foam (optional), silicone beading.  
Decorative textile covering/lighting provided by others
- \*\*\* **Scope of delivery for sliding door:** UNIQUIN/MUTO Comfort L 80 complete system
- \*\*\*\* For details, see table on page 10

## Assembly types



## Technical data – mounting profiles and fixed elements

|  |  |
|--|--|
| <b>Total installation measurements</b>                       | w = no limit (according to respective glass statics)<br>h = max. 4,000 mm  |
| <b>Intermediate fixed panel<br/>Wall mounted fixed panel</b> | w = min. 500 mm, h = max. 4000 mm<br>w = min. 300 mm, h = max. 4000 mm<br>(see also table "Maximum installation heights")  |
| <b>Pane material</b>   | Glass (TSG, LSG made from 2 x TSG), timber or other material (10 - 19 mm)  |
| <b>Mounting profiles</b>                                     | For material thicknesses 10 – 13.5 mm, 14 – 18 mm and 16 – 19 mm (see page 11)   |
| <b>Profile material</b>                                      | Aluminum, powder-coated  |
| <b>Profile colors</b>  | Graphite, scratch-resistant (other colors possible)  |
| <b>Installation options</b>                                  | Wall, floor, ceiling, 90° corner, T-joint  |
| <b>Door types</b>  | Single-action and sliding doors (technical data on page 17)  |
| <b>Emergency exit / panic function</b>                       | In accordance with EN 179 and EN 1125<br>(can be equipped optionally)  |
| <b>Wiring (electrics / electronics)</b>                      | Integrated cabling of NYM cables with max. outside diameter of 10 mm   |
| <b>Sound protection test</b>                                 | Tested sound protection according to DIN EN ISO 10140 up to 39 dB, depending on design and construction type. (The sound protection value may vary depending on the chosen glass thickness. The specified value of up to 39 dB refers to a complete door element and thus to the supposedly weakest element of an assembly. Up to 41 dB can be achieved in the fixed panel area. Corresponding certificates are available upon request.) |
| <b>Structural analysis</b>                                   | Proof of stability according to DIN 18008 / DIN 4103 available as certificate for glass.<br>(For alternative materials, the safety certificate must be furnished on a case-by-case basis).   |



## Maximum installation heights

| Glass thickness (mm) | Glass type | Max. installation height (mm) |
|----------------------|------------|-------------------------------|
| 10                   | TSG        | 3,300                         |
| 11.52                | LSG        | 3,300                         |
| 12                   | TSG        | 3,300                         |
| 13.52                | LSG        | 3,300                         |
| 15                   | TSG        | 4,000                         |
| 17.52                | LSG        | 4,000                         |
| 19                   | TSG        | 4,000                         |

The maximum values were determined according to DIN 4103 / ETAG 003 - use category 1. Please also ask for our stability certificate for glass. We can also provide you with information on the use categories and other corresponding maximum values.

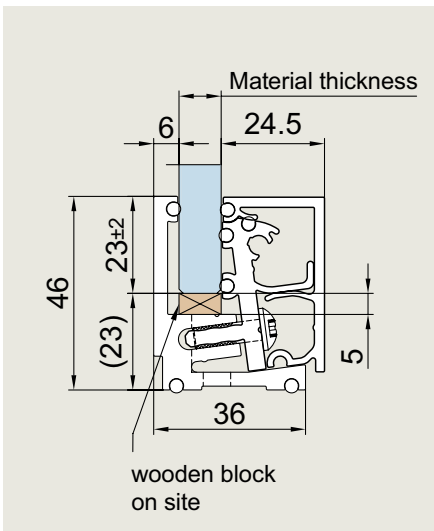
For your contact person simply go to  
<https://glas-innovationen.com/en/contact>

Technically, almost anything is possible - UNIQUIN from dormakaba

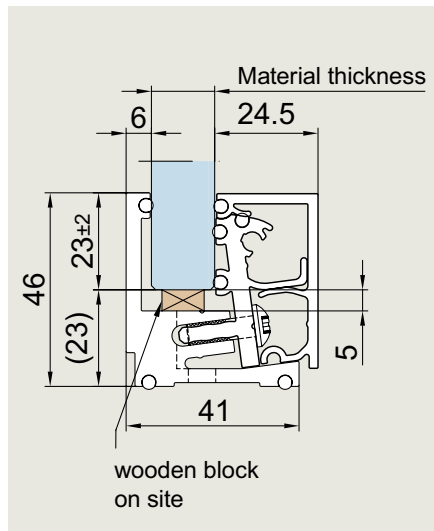
## Mounting profiles and fixed element data



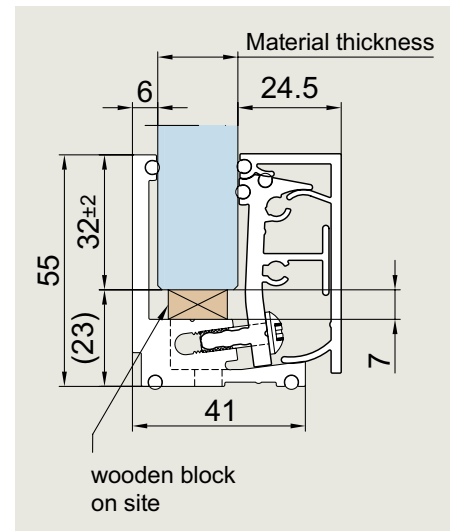
The mounting profiles form the basis of the UNIQUIN system. There are three types to facilitate optimal installation of single-pane toughened and laminated safety glass (made of TSG) and alternative materials, all with thicknesses from 10 to 19 mm. The 55 mm high profile in conjunction with thick materials offers plenty of scope for evening out structural tolerances. The silicone seals decouple the glass from the profile, as well as the profile from the structural substance of the building. The profile cross-section can accommodate cables with a diameter of up to 10 mm.



**46/36 mm profile**  
46 mm visible frame height  
10–13.5 mm material thickness



**46/41 mm profile**  
46 mm visible frame height  
14–18 mm material thickness

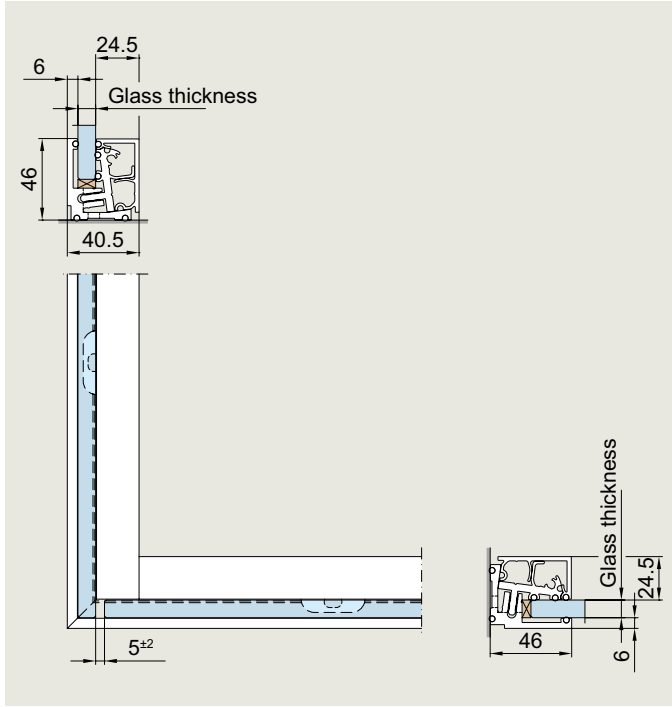


**55/41 mm profile**  
55 mm visible frame height  
16–19 mm material thickness

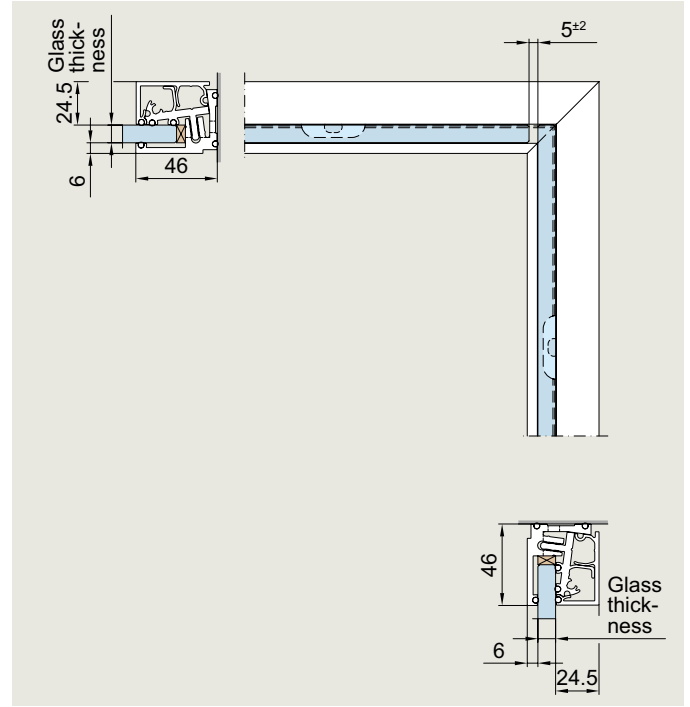
## 90° corners and T-joint connections

**Attention:** In direct connection with doors, bendings such as 90° external corners and T-joint connections are not possible.  
**Recommendation:** Please order the profiles in excess length. Cuttings are to be made on site.

### 90° corners

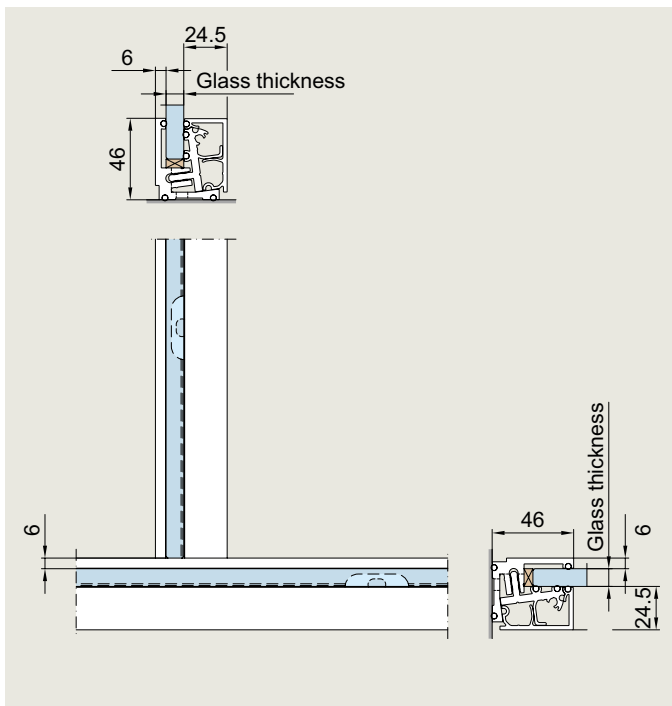


Base profile outside, with miter joint, cover profiles inside with butt joint

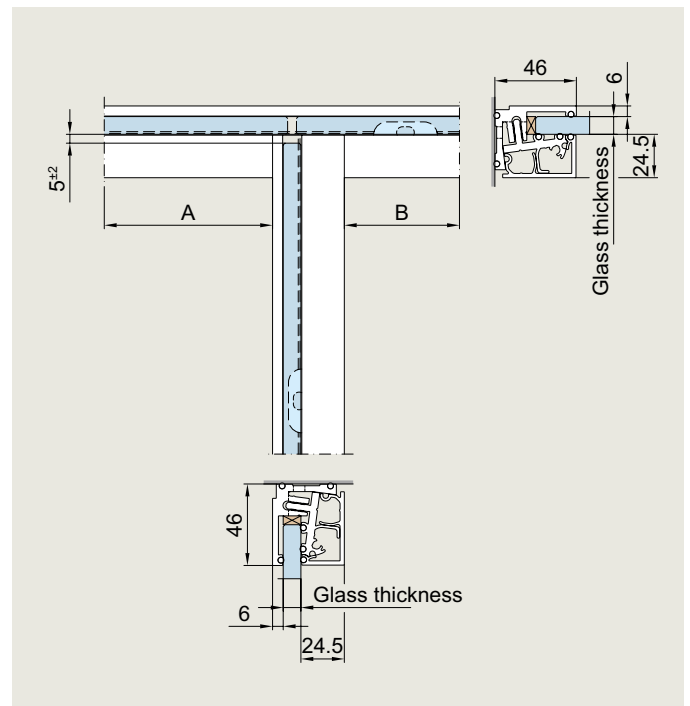


Base profile inside, with miter joint, cover profiles outside with miter joint

### 90° T-joint connections



On the base profile side (T-joint outside)



On the cover profile side (T-joint inside)

Further details and drawings of the UNIQUIN partition wall system can be found online at <http://compendium2.glas-innovationen.com/en/zeichnungen> in the UNIQUIN section.

## Single-action door with frame in fixed glass element

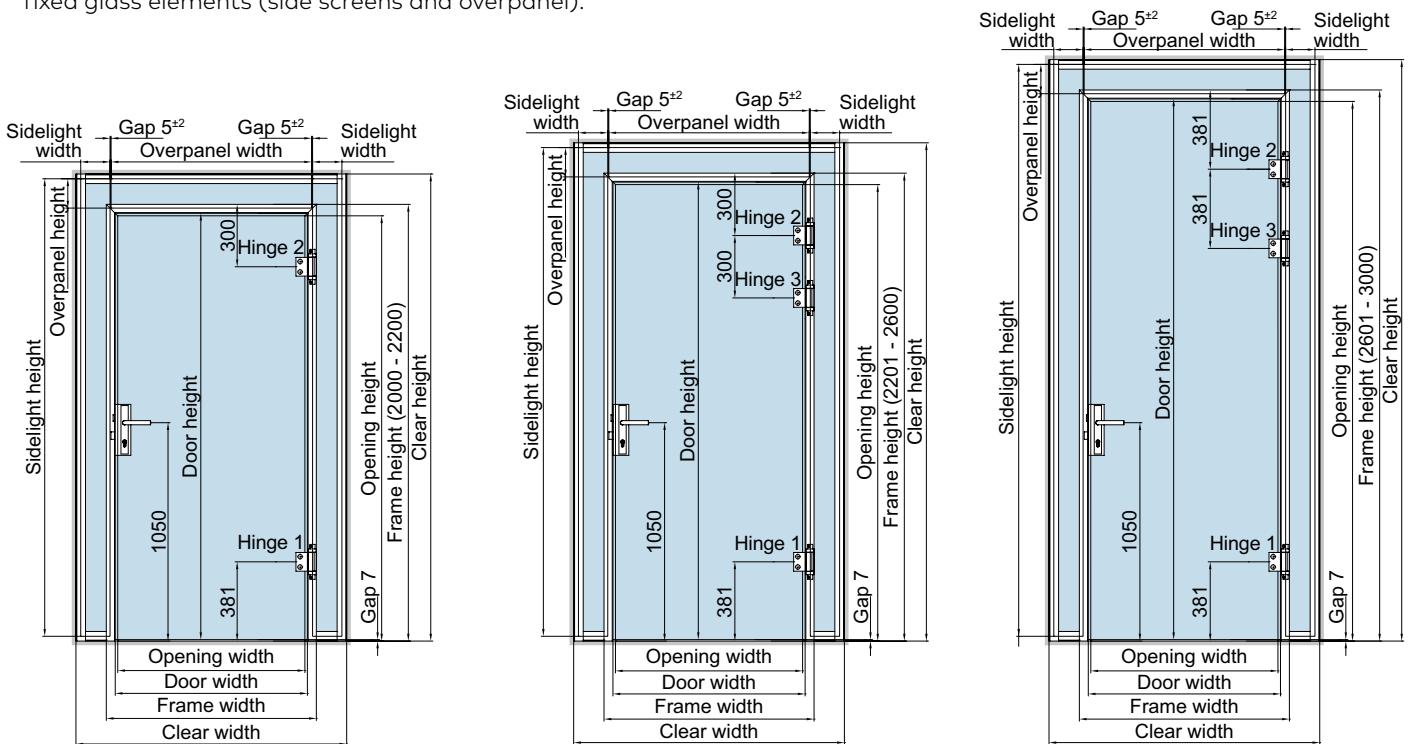
Within your glass assembly you can integrate door solutions either with an overpanel or of full room height. You can adapt the height and width to your individual requirements down to the last millimeter using one of three frame sizes for your required dimensions. A drop-down seal can be retrofitted (no special glass preparation necessary).

Please note that the glass thickness of a single-action door must always be the same as the thickness of the adjacent fixed glass elements (side screens and overpanel).

**Maximum door weight including all fittings:**  
80 kg for timber doors; 130 kg for glass doors

**Calculation of door dimensions:**  
Door width = Frame width - 86 mm  
Door height = Frame height - 50 mm

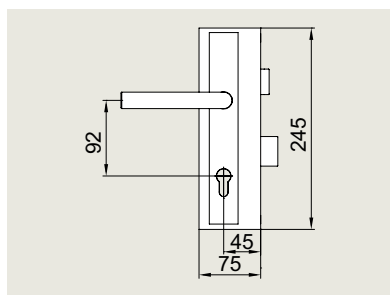
The following drawings refer to glass doors. Different drawings for timber doors available on request.



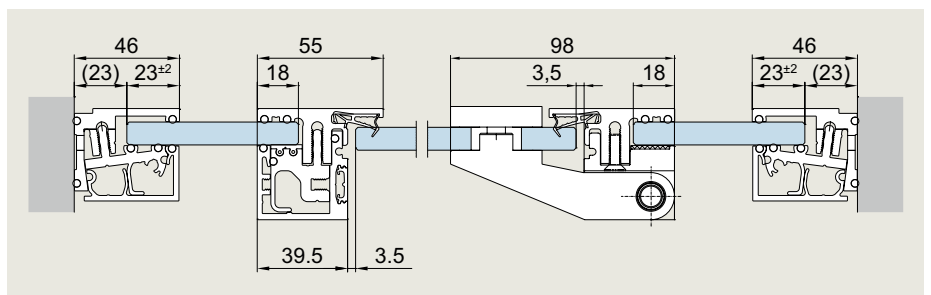
**Size 1:** 2 hinges  
Frame height: 2,000–2,200 mm  
Frame width: 746–1,186 mm

**Size 2:** 3 hinges  
Frame height: 2,201–2,600 mm  
Frame width: 746–1,186 mm

**Size 3:** 3 hinges  
Frame height: 2,601–3,000 mm  
Frame width: 746–1,186 mm



**Standard lock**



**Mounting profile on wall**

**Door frame with strike plate for lock**

**Door frame with glass door hinge**  
(drawing of timber door hinge available)

**Mounting profile on wall**



Standard lock incl. lever handle (prepared for profile cylinder)



Door frame with glass door hinge (For timber doors concealed hinges are used – by others. Tectus 340 3D or BaSys)

## Single-action door with frame in wall openings

With UNIQUIN you can also effortlessly implement individual door solutions in the structural wall openings. For this form of installation, we again offer three different, individually adaptable base frame sizes.

The following drawings refer to glass doors. Different drawings for timber doors available on request.

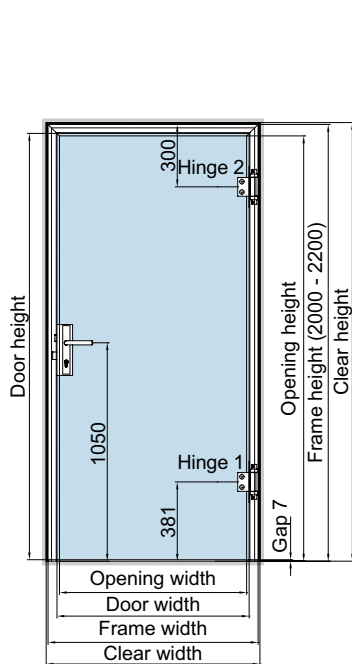
### Maximum door weight including all fittings:

80 kg for timber doors; 130 kg for glass doors

### Calculation of door dimensions:

Door width = Frame width - 86 mm

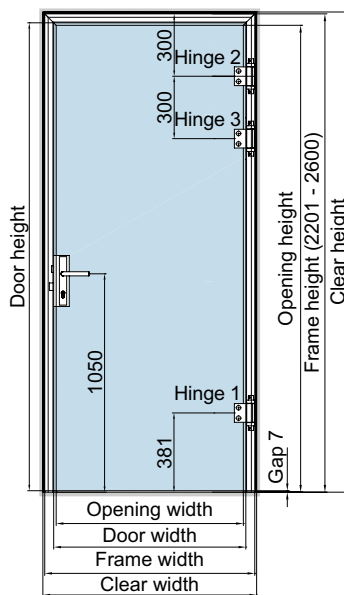
Door height = Frame height - 50 mm



### Size 1: 2 hinges

Frame height: 2,000–2,200 mm

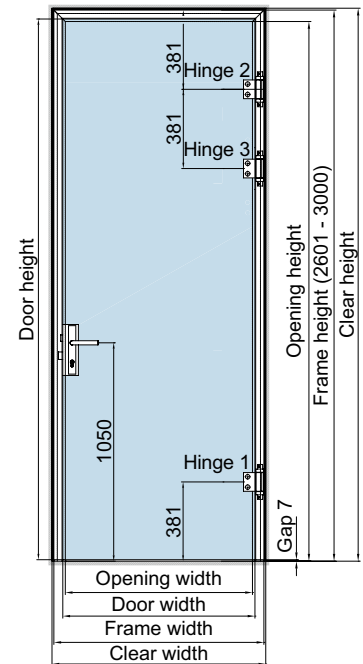
Frame width: 746–1,186 mm



### Size 2: 3 hinges

Frame height: 2,201–2,600 mm

Frame width: 746–1,186 mm



### Size 3: 3 hinges

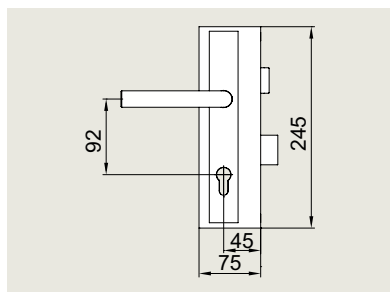
Frame height: 2,601–3,000 mm

Frame width: 746–1,186 mm

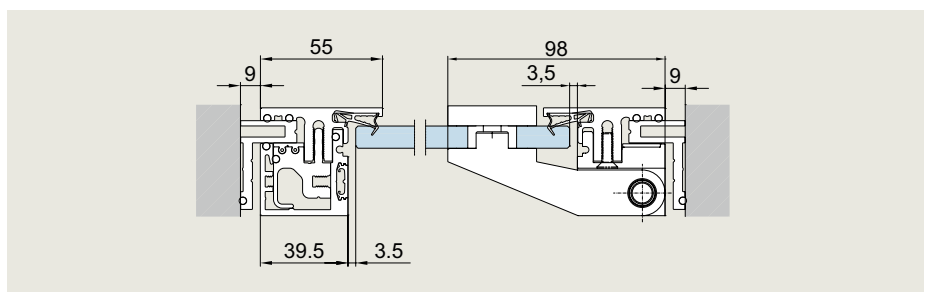
### Frame installation situation A

Direct connection to wall opening via adapter profile

(depending on the installation situation, the door opening may be limited to approx. 90°)



Standard lock



Adapter profile for direct wall connection and door frame with strike plate for lock

Adapter profile for direct wall connection and door frame with glass door hinge (drawing of timber door hinge available)

## Single-action door with frame in wall openings with overpanel

Another variant is a combination of a door and overpanel in wall openings. In these cases, the base profile takes on both the task of framing of the overpanel and the connection of the door frame.

The following drawings refer to glass doors. Different drawings for timber doors available on request.

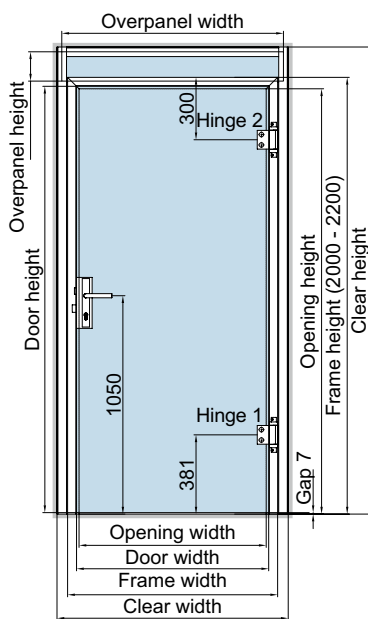
### Maximum door weight including all fittings:

80 kg for timber doors; 130 kg for glass doors

### Calculation of door dimensions:

Door width = Frame width - 86 mm

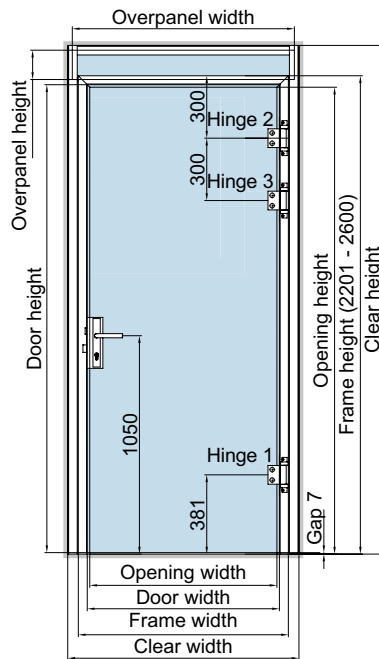
Door height = Frame height - 50 mm



### Size 1: 2 hinges

Frame height: 2,000–2,200 mm

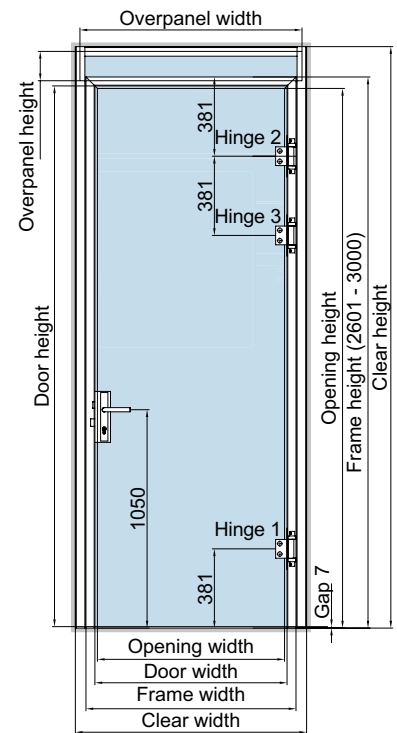
Frame width: 746–1,186 mm



### Size 2: 3 hinges

Frame height: 2,201–2,600 mm

Frame width: 746–1,186 mm



### Size 3: 3 hinges

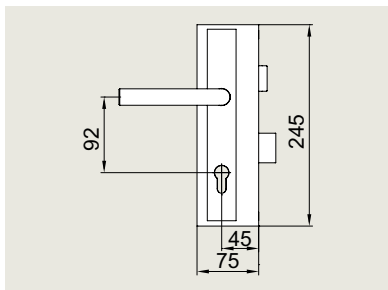
Frame height: 2,601–3,000 mm

Frame width: 746–1,186 mm

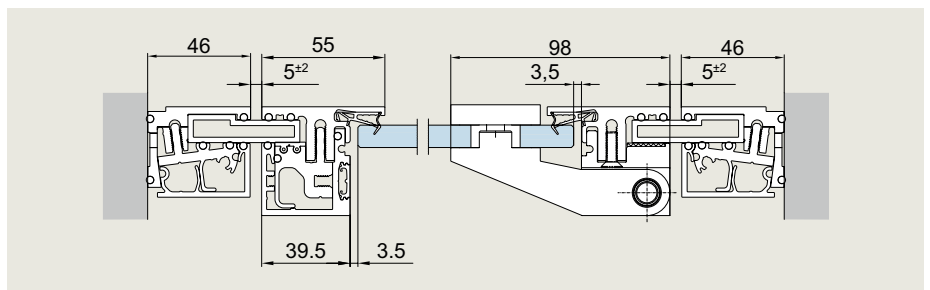
### Frame installation situation B

Connection to the base profile (facilitates combination with glass overpanel and / or door closer)

(depending on the installation situation, the door opening may be limited to approx. 90°)



Standard lock

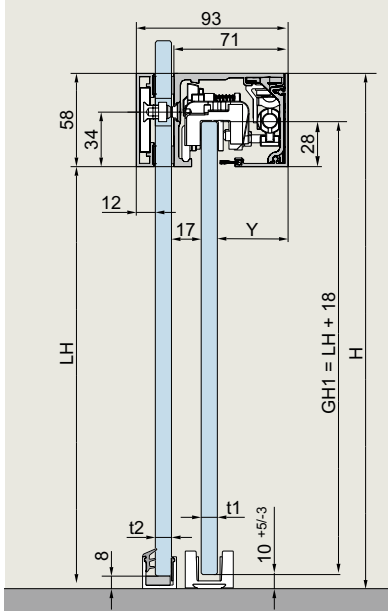


Mounting profile with connecting profile and door frame with strike plate for lock

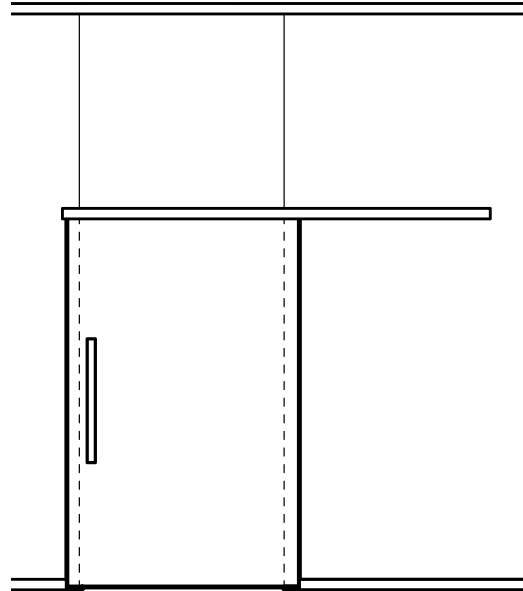
Mounting profile with connecting profile and door frame with glass door hinge (drawing of timber door hinge available)

## Sliding door MUTO Comfort L 80 on glass

The MUTO Comfort L 80 sliding door system holds door elements made of glass or timber. The thickness of the elements in the case of the glass version may range from 8 to 13.52 mm, while the timber version can range from 28 to 50 mm.



**MUTO Comfort L 80**



**MUTO Comfort L 80 with pull handle**

t1 = Sliding door thickness

t2 = Sidelight thickness

y = 71 - 17 - t1

**Please note:** By design, sliding doors do not have the same high sound protection values as fixed elements and single-action doors.



## Technical data – single-action and sliding doors

|   | Single-action doors   | Manual sliding doors MUTO Comfort L 80         |
|---|---|--|
| <b>Glass thickness</b>                                  | 10–19 mm  | 8–13.5 mm                                      |
| <b>Timber thickness</b>                                 | 40–50 mm  | 28–50 mm                                       |
| <b>Max. leaf weight</b>                                 | Glass door: 130 kg<br>Timber door: 80 kg  | 80 kg  |
| <b>Max. leaf height</b>                                 | 2,950 mm  | 3,000 mm                                       |
| <b>Max. leaf width</b>                                  | 1,100 mm (when using TS 97)<br>Other widths on request.   | 2,000 mm                                       |
| <b>Min. leaf width</b>                                  | 660 mm<br>710 mm (with drop-down seal)  | 660 mm   |
| <b>Tested operating cycles</b>                          | 200,000   | 100,000  |
| <b>Corrosion resistance according to EN 1670</b>        | Class 2   | Class 4  |
| <b>Locking</b>  | For glass doors: Mortise locks according to DIN 18251-2, backset 45 mm, center distance 92 mm (Please request different specifications for timber doors separately).  | Integrated locking (optional / retrofittable)  |
| <b>Further components</b><br>(optional / retrofittable) | Panic locks for emergency exits according to EN 179, EN 1125.<br>TS 97 door closer for glass door. (ITS 96 door closer for timber door provided by others or optional).<br>Electronic access control with c-lever compact.<br>Mounting element for sockets / switches.<br>Drop-down seal. | DORMOTION damping, integrated status indicator |

## Optional components for single-action doors

### Locks



Standard lock /  
panic lock with profile cylinder

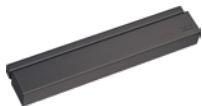


Electronic door fitting dormakaba  
c-lever compact



Emergency exit  
pushbar assembly

### Door closers



For glass doors:  
TS 97



For timber doors:  
ITS 96

### Electrification



Mounting element  
for sockets  
and switches on the  
frame profile.  
Cables cannot be  
routed across the  
hinge side.

### Sound protection



Drop-down seal

## Acoustic modules

To absorb sound waves, an acoustic image with a special structure is applied to the convoluted foam sound absorption panel (optional or provided by others). If only one-sided absorption is required, an advertising image can be tensioned on the second side. Textiles are to be procured by the customer.

A glass insert in addition to the convoluted foam sound absorption panel increases the sound protection and at the same time serves as an entry barrier.



### Acoustic image

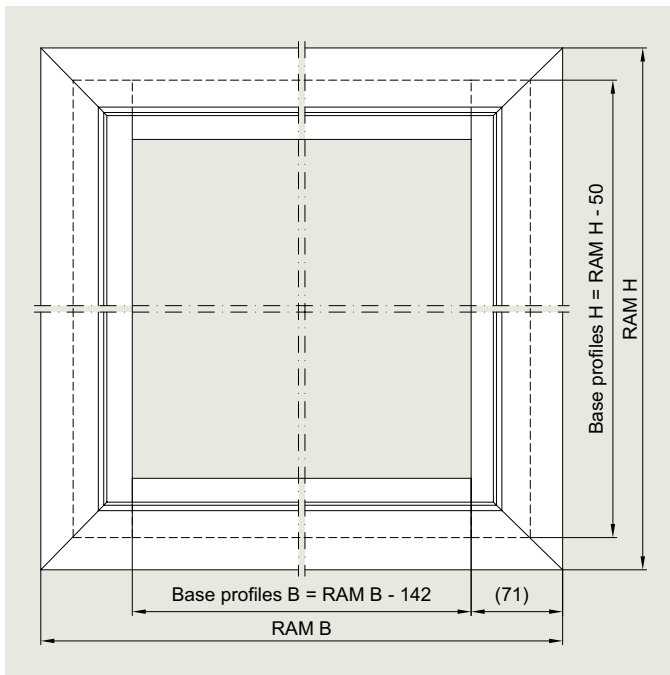
In order to achieve the appropriate sound-absorbing effect, please use the appropriate acoustic image combined with the convoluted foam sound absorption panel.

Material: Textile Trevira CS 300g/m<sup>2</sup> white, printed.  
Circumferential flat welting 15 mm x 2.8 mm for frame.

### Advertising image

The advertising image is for decorative purposes and has no additional acoustic effect. Material: Deco light or Dynajet white, printed. Circumferential flat welting 15 mm x 2.8 mm for frame.

## Structure of acoustic/advertising frame



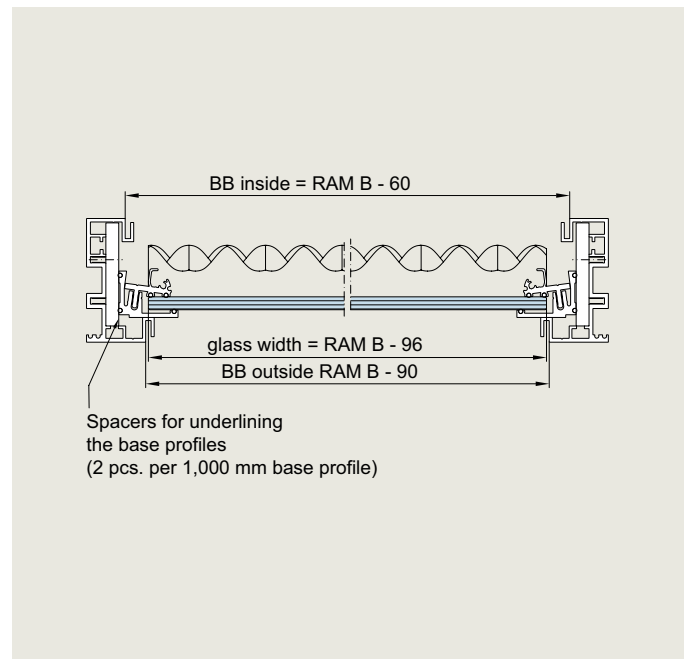
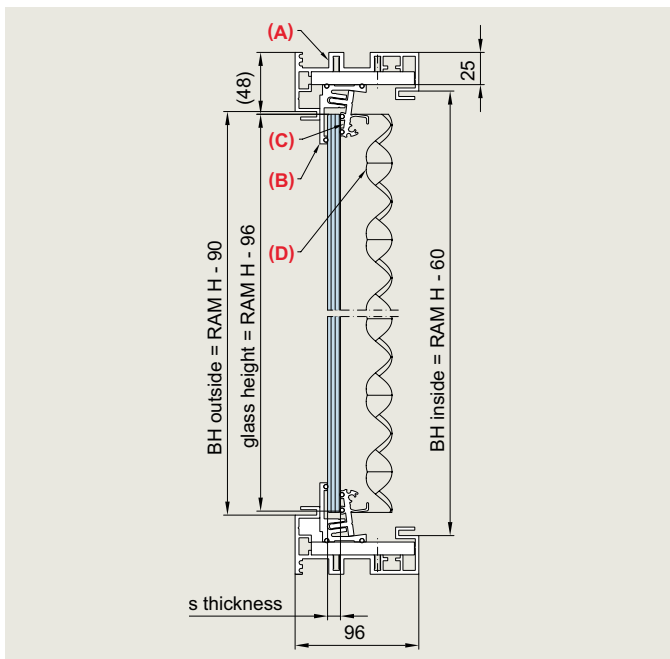
RAM: External frame dimension

H: Height

B: Width

BH: Image height

BB: Image width



**(B) Base profile 46/36 mm or 46/41 mm**

10–13.5 mm glass or 14–18 mm glass, each incl.

**(C) clamping piece + seal**

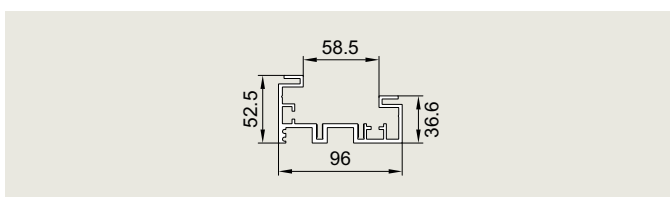
**(D) Convoluted foam sound absorption panel**

Format: 1,000 x 500 x 40 mm

One-sided self-adhesive

Fire protection class DIN 4102

**The required quantity corresponds to the glass surface.**



**(A) Acoustic module frame profile incl. retainer for acoustic/advertising image**

Weight: 2.447 kg/m



Door  
Hardware



Entrance  
Systems



Electronic  
Access & Data



Interior Glass  
Systems



Mechanical  
Key Systems



Service

**dormakaba**  
**International Holding AG**  
Hofwissenstrasse 24  
CH-8153 Rümlang  
T +41 44 818 90 11  
[info@dormakaba.com](mailto:info@dormakaba.com)  
[www.dormakaba.com](http://www.dormakaba.com)