

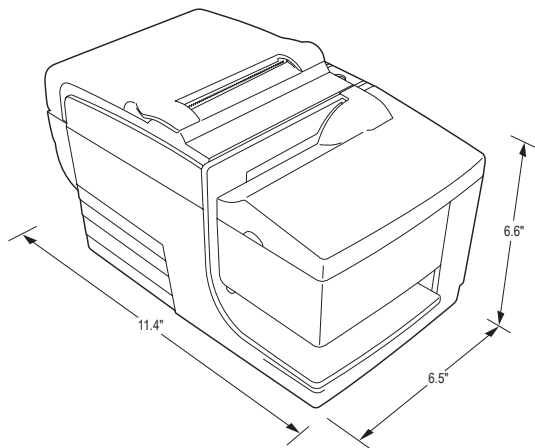
# CognitiveTPG B780 Two-Color Hybrid Receipt/Validation Printer

Validation and Receipt Printing in Banking



“Simplifying the teller validation/receipt printing process.”

From the company that brought you the industry’s first thermal/impact hybrid transaction printer with integrated MICR and clam shell drop-in paper loading design, CognitiveTPG offers the banking market its hybrid printer model B780. The B780 features two-color/monochrome printing, graphic and image capability, and a small footprint (under 73 square inches) that fits almost anywhere.



- Fast, maintenance-free thermal receipt printer
- Drop validation impact print station with superior paper handling
- Built in MICR reader with 99% plus accurate read rates
- Cross selling and branding opportunities with our receipt marketing software
- Low total cost of ownership with multiple printhead technologies using thermal and impact printing for longer printhead and ribbon life
- Multiple communication interfaces
- Includes emulations of popular banking printers, including the A721, for easy replacement and installation



# B780 Two-Color Hybrid Receipt/Validation Printer

## PRODUCT HIGHLIGHTS

### Performance and Reliability in a Small Package

Backed by a 15 month warranty, the B780 delivers maximum flexibility, performance, and reliability within a 73 square inch footprint. The B780 offers easy media loading and validation insertion, a paper low indicator, caution sensors, electronic journal, and multiple resident emulations for ease of use and superior performance.

### A True Multifunctional Printer

With receipt printing, ticket validation (cash-in and cash-out) and check and form endorsement, the B780 is a true multifunctional printer. The optional MICR also reads information from checks, general ledger tickets, etc., with a 99% accuracy rate.

### Marketing and Branding Opportunities

Enhance customer relations using our receipt marketing software. Financial ReceiptWare™ can turn every receipt ticket into a marketing and branding opportunity. Simply add logos, watermarks, margin messages, customer surveys, or highlight promotions like online banking, new CD rates, etc.

## TECHNICAL SPECIFICATIONS

	RECEIPT STATION	SLIP STATION
Print Method	Direct Thermal, 203 DPI	9-Pin Impact
Character Cell Size	13x24, 10x24	7x7, 12x7, 5x9
CPI	15, 6, 20.3	13.9 & 16.8
Print Columns	44 & 56	42 & 51
Print Line Width	2.8 in. (72 mm)	3.02 in. (76.8 mm)

### CHARACTER SETS & BARCODES

Resident Code Pages	437, 737, 850, 852, 857, 858, 860, 862, 863, 865, 866, 1251, 1252, and 1255
UPC-A, UPC-E, JAN8, JAN13 (EAN), Code 39, Code 93 Interleaved 2 of 5, Codabar, Code 128, Code 128 extended, EAN 128, RSS, QR, PDF-417	

### FEATURES

Printing Speed	Monochrome 74.0 LPS (250 mm/sec) 4.8 LPS (16 mm/sec); Two-color 27 LPS (100 mm/sec)
Auto Cutter	Partial Cut
Emulations Available	Application compatible escape commands, CognitiveTPG A756, A758, and Axiohm A721, Unisys/DH4700, and NCR5021.
Data Buffer	8K
User Memory	Up to 2 MB; shared for graphics, logos, user defined characters and user data storage
Communication	Dual 9-pin RS-232/USB, 25-pin RS-232, PoweredUSB
Power	24 VDC
Options	MICR Reader

### MICR READER

Character sets/fonts	E-13B and CMC-7, auto discriminate (Integrated in slip station)
Check Read Rate	99% minimum
Parsing Formats	E-13B only. Programmable to any format

### THERMAL PAPER AND RIBBON REQUIREMENTS

Paper Type	Direct Thermal, POS Grade(s), special paper for color
Paper Roll (W X Dia.)	3.15 in. X 3.27 in. (80 mm X 83 mm)
Slip Station Ribbon Type	A152-0042 Black (5 million character)

### IMPACT SLIP FORMS

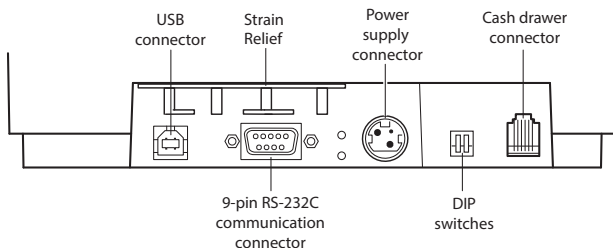
Size	2.75 in. X 5.00 in. (69.85 mm x 127.00 mm) minimum front & side
Max. Form Length	11.00 in. (279.4 mm)
Number of Plies	1 - 4 ply multipart
Paper Thickness	0.014 in. maximum (0.35 mm)

### RELIABILITY

Thermal Print Mechanism	216 KM paper (64 M lines) monochrome 216 KM two-color (57 M lines)
Auto Knife Cutter	2 million cuts
Impact Print Mechanism	15 million lines
Impact Printhead	200 million characters
MICR reader	200,000 Reads
Warranty	15 months

### DIMENSIONS

Footprint (W"x D"xH")	6.5in.X 11.4in.X 6.6in. (165.10mm X 289.56mm X 167.64mm)
Weight	8 lbs. (printer only) 13 lbs. (w./carton, pads, and included accessories)



RS232 Serial and USB Interface Shown Above

### PRINTER DRIVERS

Windows Mini Drivers for XP, Vista, 7 & 8, RS-232 Emulation Driver for USB

### CERTIFICATIONS

EMC emissions: EN55022:1998 Class B ITE emission requirements (EU); FCC 47 CFR Part 15, Class B emissions requirements (USA), AS/NZS 3548:2002/CISPR22 Class B ITE emission requirements (Australia); EMC Immunity: EN55024:1998/A1:2001 Information technology equipment (EU)