

OVERVIEW

## General Illumination Pendant Cord Cylinder with nTune

# 6"

### Feature Set

- Tunable White solutions (2700K-6500K, 3000K-5000K) reproduce natural light patterns and colors, complement materials, and support productivity.
- WARMDIM® Range (3000K-1800K) for relaxing; warm and comfortable when dimmed
- Batwing distribution with feathered edges provides even illumination on horizontal and vertical surfaces
- 45° cutoff to source and source image
- Fixtures are damp location standard; wet location option (WL)
- 70% lumen maintenance at 60,000 hours
- 2.5 SDCM; 85 CRI typical, 90+ CRI optional
- Have the cleanest of installations with a 0.29" diameter color coordinated cord. Multi-conductor ultra-pliable cord with embedded aircraft cable ensures no chance of kinks, crooked mounting, or need to tether power cord to suspension cable (patent pending).
- Multiple recessed or surface j-box mounting configurations available with cords
- 20 standard colors in textured and gloss finish; custom or RAL colors also available

### Distribution



### Superior Performance

Nominal	750	1000	1500	2000	2500	3000	3500	4000	4500	5000
Delivered	850	1028	1401	1915	2469	2940	3527	4044	4722	4994
Wattage	9	10	14	19	24	28	34	40	48	50
Lumens per Watt	93	99	100	103	102	105	103	102	99	100

\*80 CRI, 3500K



COMPLIMENTARY PRODUCTS

### Coordinated Apertures | Multiple Layers of Light



General Illumination Layer | EVO



High Center Beam Layer | Incito



EVO + Incito — Multiple Layers of Light

Core	Downlight	Adjustable	Open Wallwash	Lensed Wallwash	Cylinder	Pinhole	Bevel	Hyperbolic
Healthcare	MRI	Surgical Suite	Patient Room					
Special Applications	Dynamic	Food Service	Vandal/Tamper	Clean Room	Shower	Steam Room		

A+ Capable options indicated by this color background.

Luminaire Type:

Catalog Number:

EXAMPLE: EVO6CC TUWH RHYR/30 AR MWD LSS MVOLT JBX CCAN C120 ZT DWHG

Series	Dynamic Feature	Dynamic Range <sup>1</sup>	Lumens <sup>2</sup>	Reflector Color	Distribution
EVO6CC EVO 6in Pendant Cord Round Cylinder Open Downlight	TUWH Tunable White WDIM Warm Dimming	PROR/ Productivity Range (3000K-5000K)	02 250 lumens	AR Clear	VND Very narrow (0.5 s/mh)
		RHYR/ Rhythm Range (2700K-6500K)	05 500 lumens	PR Pewter	ND Narrow (0.7 s/mh)
		HALR/ Halogen Range (3000K-1800K)	07 750 lumens	WTR Wheat	MD Medium (0.9 s/mh)
			10 1000 lumens	GR Gold	MWD Medium wide (1.0 s/mh)
			15 1500 lumens	WR <sup>3</sup> White painted	WD Wide (1.2 s/mh)
			20 2000 lumens	BR <sup>3</sup> Black	
			25 2500 lumens	WRAMF <sup>3</sup> White Anti-microbial	
			30 3000 lumens	BZR <sup>3</sup> Dark Bronze painted	
			35 3500 lumens		
			40 4000 lumens		
			45 4500 lumens		
	50 5000 lumens				

Reflector Finish	Voltage	Mounting	Canopy Type	Cord Length <sup>5,6</sup>
LSS Semi-specular	MVOLT 120V - 277V	JBX Integral driver, Recessed or Surface J-box	CCAN 5° Cord canopy with "hang straight" swivel	C120 10' Mounting Cord
LD Matte diffuse	120 120V	JBXCC Integral driver, Surface J-box with Conduit Covers	CCAN45 45° Cord canopy with "hang straight" swivel	C180 15' Mounting Cord
LS Specular	277 277V	RGH Recessed gear housing		C240 20' Mounting Cord
	347 <sup>4</sup> 347V			

Control Interface <sup>8</sup>	Options	Architectural Colors - Powder Paint <sup>5,9</sup>
NLT <sup>7</sup> nLight nTune interface	SF <sup>13</sup> Single fuse. Specify 120 or 277V.	DWHAMF Gloss White with Anti-microbial finish
NLTER <sup>7</sup> nLight nTune interface with emergency circuit	90CRI High CRI (90+)	DDB Gloss Dark Bronze
ZT 0-10V dimming	WL <sup>8</sup> Wet Location	DBL Matte Black
DALI DALI logarithmic dimming to <1%.		DWH Gloss White
		DMB Matte Medium Bronze
		DNA Gloss Natural Aluminum
		DSS Gloss Sandstone
		DGC Gloss Charcoal Grey
		DTG Gloss Tennis Green
		DBR Gloss Bright Red
		DSB Gloss Steel Blue
		DDBT Textured Dark Bronze
		DBLB Textured Black
		DWHG Textured White
		DBNH Textured Bronze
		DNAT Textured Natural Aluminum
		DSST Textured Sandstone
		DSPD Textured Dark Grey
		DSPE Textured Green
		DSPH Textured Light Red

**ACCESSORIES — order as separate catalog numbers (shipped separately)**

CYLJBOXADPT 4SQ2OCT \_\_\_ 4in Square J-box to 4in Octagonal J-box adaptor. Replace \_\_\_ with Architectural Color or PRM for primed ready for field painting

**ORDERING NOTES**

- PROR and RHYR available only with TUWH. HALR available only with WDIM.
- Nominal lumen values when tested at 3500K.
- Not available with finishes.
- Factory supplied step down transformer must be remote mounted. Access required to location of remote mounted device.
- Cord can be cut in field to achieve non-uniform lengths (i.e. for a field cut 8' length, order 10' cord). Cord length is nominal; actual length is about 2" shorter.
- Cord color is determined by cylinder color: DWHG, DWH, and DWHAMF will have white cord; DBL and DBLB will have black cord; all others will have gray cord.
- TUWH + NLT/NLTER requires RGH mounting and power from nLight network bridge or nPS 80. WDIM + NLT/NLTER available factory installed with RGH; nLight field installed with other mounting types. Access required to location of remote mounted.
- Not available with JBXCC.
- For details on RAL and Custom colors please see Architectural colors.

**Optical Assembly**

Fully serviceable and upgradeable lensed LED light engine suitable for field maintenance or service from below the ceiling. Optical design is a Bounding Ray™ design with 45° cutoff to source and source image. Top down flash characteristic for superior glare control.

**Electrical**

The luminaire shall operate from a 50 or 60 Hz ±3 Hz AC line over a voltage ranging from 120 VAC to 277 VAC. The fluctuations of line voltage shall have no visible effect on the luminous output.

The luminaire shall have a power factor of 90% or greater at all standard operating voltages and full luminaire output. Sound Rated A+. Driver shall be >80% efficient at full load across all input voltages. Input wires shall be 18AWG, 300V minimum solid copper.

**Controls**

Tunable white nTune™ is an all-digital light color temperature control within an nLight enabled luminaire.

nTune™ allows color temperature settings through the Productivity Range of 3000K to 5000K or Rhythm Range of 2700K to 6500K. Refer to nLight Programming User's Guide for instructions on customizing your application with SensorView™.

**Dimming**

The luminaire shall be capable of continuous dimming without perceivable stroboscopic flicker as measured by flicker index (ANSI/IES RP-16-10) over a range of 100 – 0.1% of rated lumen output with a smooth shut off function to step to 0%.

**Construction**

Heaving-gauge aluminum construction. Extruded cylinder body with flangeless reflector allows flow-through passive thermal management. Canopy matches cylinder in finish and diameter.

Pendant cord mount for installation to 4" recessed or surface octagonal junction box with integral driver.

Recessed gear box available for driver above ceiling, nLight, or battery pack options.

Surface gear box available for driver at ceiling installation.

Optional field configurable conduit covers available. Conduit covers match cylinder in finish and diameter.

**Listings**

Fixtures are CSA Certified to meet US and Canadian Standards: All fixtures manufactured in strict accordance with the appropriate and current requirements of the "Standards for Safety" to UL, damp location standard; wet location covered ceiling optional (WL).

**Photometrics**

LEDs tested to LM-80 standards. Measured by IESNA Standard LM-79-08 in an accredited lab. Lumen output shall not decrease by more than 30% over the minimum operational life of 60,000 hours.

Color appearance from luminaire to luminaire of the same type and in all configurations, shall be consistent both initially and at 6,000 hours and operate within a tolerance of <2.5 MacAdam ellipse as defined by the center of the quadrangles defined in ANSI C78.377-2015.

**Buy American**

This product is assembled in the USA and meets the Buy America(n) government procurement requirements under FAR, DFARS and DOT. Please refer to [www.acuitybrands.com/buy-american](http://www.acuitybrands.com/buy-american) for additional information.

**Warranty**

5-year limited warranty. Complete warranty terms located at: [www.acuitybrands.com/support/customer-support/terms-and-conditions](http://www.acuitybrands.com/support/customer-support/terms-and-conditions)

**Note:**

Actual performance may differ as a result of end user environment and application. All values are design or typical values, measured under laboratory conditions at 25 °C.

**A+ Capable Luminaire**

This item is an A+ capable luminaire, which has been designed and tested to provide consistent color appearance and out-of-the-box control compatibility with simple commissioning.

- All configurations of this luminaire meet the Acuity Brands' specification for chromatic consistency
- This luminaire is part of an A+ Certified solution for nLight® control networks when ordered with drivers marked by a shaded background\*
- This luminaire is part of an A+ Certified solution for nLight® control networks, providing advanced control functionality at the luminaire level, when selection includes driver and control options marked by a shaded background\*

To learn more about A+, visit [www.acuitybrands.com/aplus](http://www.acuitybrands.com/aplus).

\*See ordering tree for details

Driver Default Dimming Curve			
Nomenclature	Min Dimming	Driver Dim Curve	Control Dim Curve
ZT	0.1%	Linear	Linear/Logarithmic
DALI	0.1%	Linear	Linear/Logarithmic

Reflector Finish Multiplier	
Reflector Finish	Multiplier
LS - Specular	1
LSS - Semi Specular	0.956
WR - White	0.87
LD - Matte Diffuse	0.85
BR - Black	0.73
BZR - Bronze	0.73

Distributions		
Nomenclature	Beam Angle	Field Angle
VND	30	64
ND	44	69
MD	54	82
MWD	67	89
WD	71	92

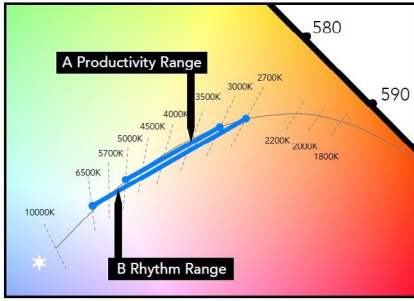
J-box Compatibility Matrix		Cylinder Configurations					
		6" Pend CYL	6" Pend CYL Surf Gear Box	6" Pend CYL Surf Gear Box w/ Conduit Cover	6" Pend CYL DMX Surf Gear Box	6" Pend CYL DMX Surf Gear Box w/ Conduit Cover	6" Pend CYL w/ Conduit Cover
Recommended J-box (by others)	4" Octagonal 4x4x1.5 deep"	✓	✓	✓	✓	✓	✓
	4" Octagonal 4x4x2.125 deep	✓	✓	✗	✓	✗	✗
	4" Square 4x4x1.5 deep	✓ *with adaptor plate accessory	✓ *with adaptor plate accessory	✗	✓ *with adaptor plate accessory	✗	✗

Standard Architectural Color Options for Cylinder Bodies



NOTE: These colors were carefully reproduced to give as true a depiction as possible of finished product color. Some colors, however, may vary slightly from actual appearance due to display/printing variations and limitations. Please always contact a Lithonia representative for an accurate paint chip sample.

**MAINSTREAM DYNAMIC TUNABLE WHITE WITH NTUNE TECHNOLOGY**



Tunable white nTune™ is an all digital light color temperature control within an nLight enabled luminaire. This brings tunable white lighting control into the mainstream with repeatable, consistent results in an economical luminaire form and system already familiar to schools. Designers and facility operators are granted the freedom to tie scenes to specific activities or to complement colors or materials within a visual environment. nTune™ allows color temperature settings through the Productivity Range of 3000K to 5000K or Rhythm Range of 2700K to 6500K. Refer to nLight Programming User's Guide for instructions on customizing to your application with SensorView™.

**TUNABLE WHITE GPHD**

**Gamut:** One dimensional warm-Cool

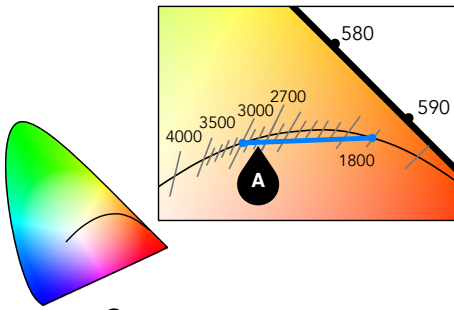
**Path:** Direct 3000K to 5000K (Productivity Range) or 2700K to 6500K (Rhythm Range)

**Handle:** Two Natural Language Handles: Intensity and CCT

**Data:** nLight with nTune technology for both handles of control

**A** Productivity Range 3000K to 5000K

**B** Rhythm Range 2700K to 6500K



**A** Halogen Range 3000K to 1800K

**How to Estimate Delivered Lumens in Emergency Mode**

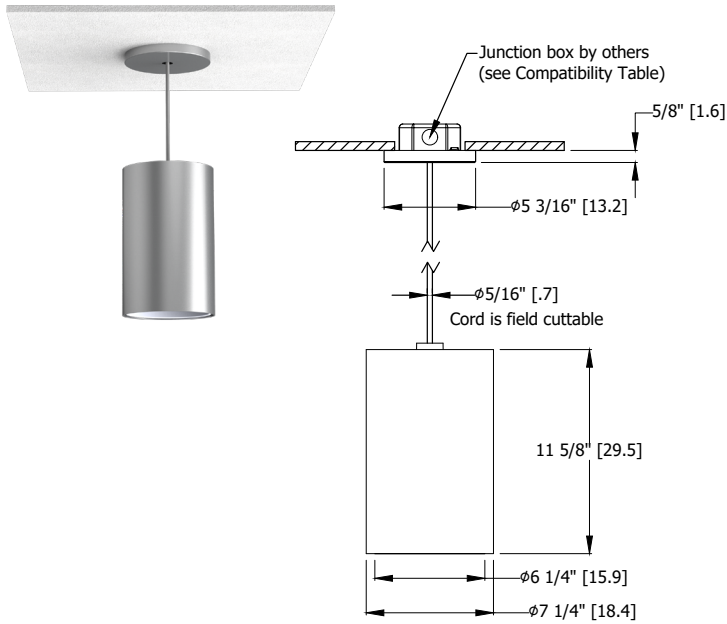
**Delivered Lumens = 1.25 x P x LPW**

P = Output power of emergency driver. P = 10W for PS1055CP

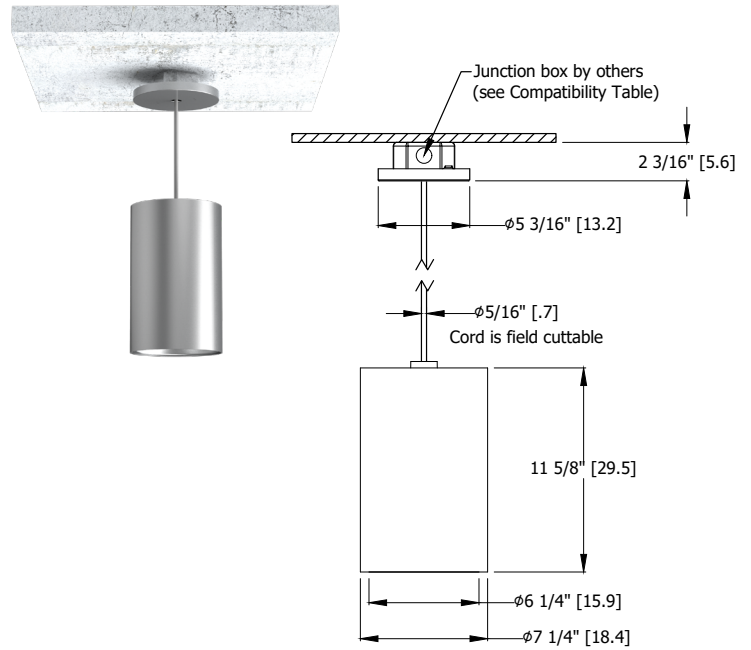
LPW = Lumen per watt rating of the luminaire. This information is available on the ABL luminaire spec sheet.

DIMENSIONAL DATA

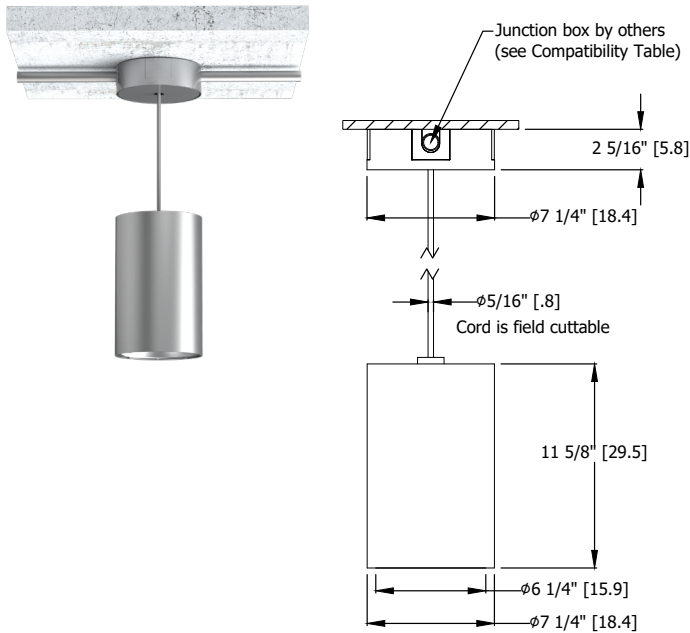
**JBX Recessed J-Box**



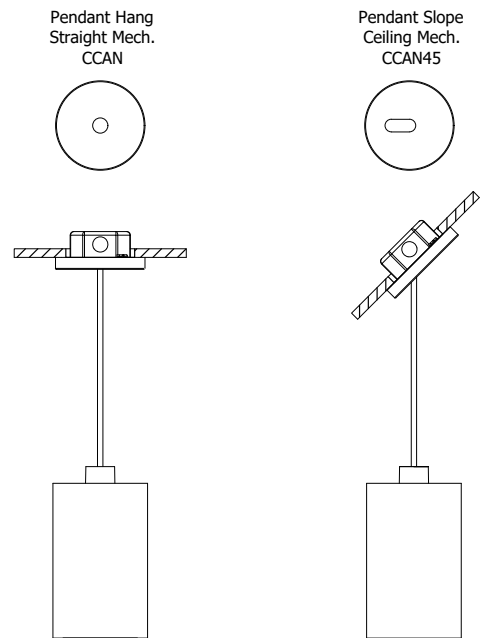
**JBX Surface J-Box**



**JBXCC Surface J-Box with Conduit Covers**



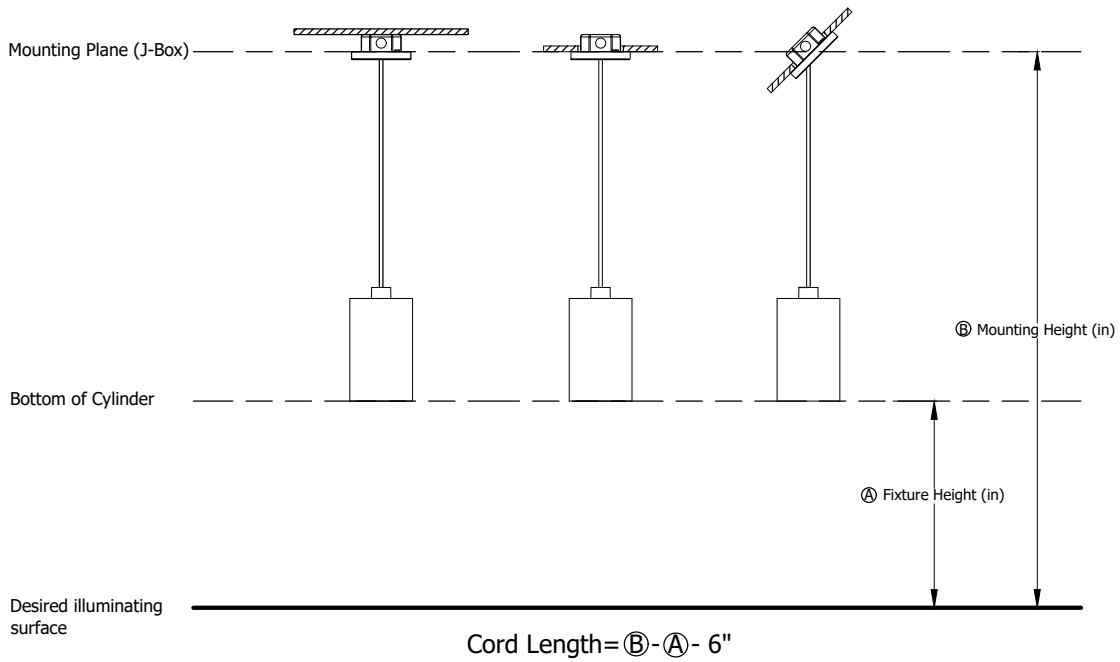
**Canopy Covers for Flat or Sloped Ceilings**



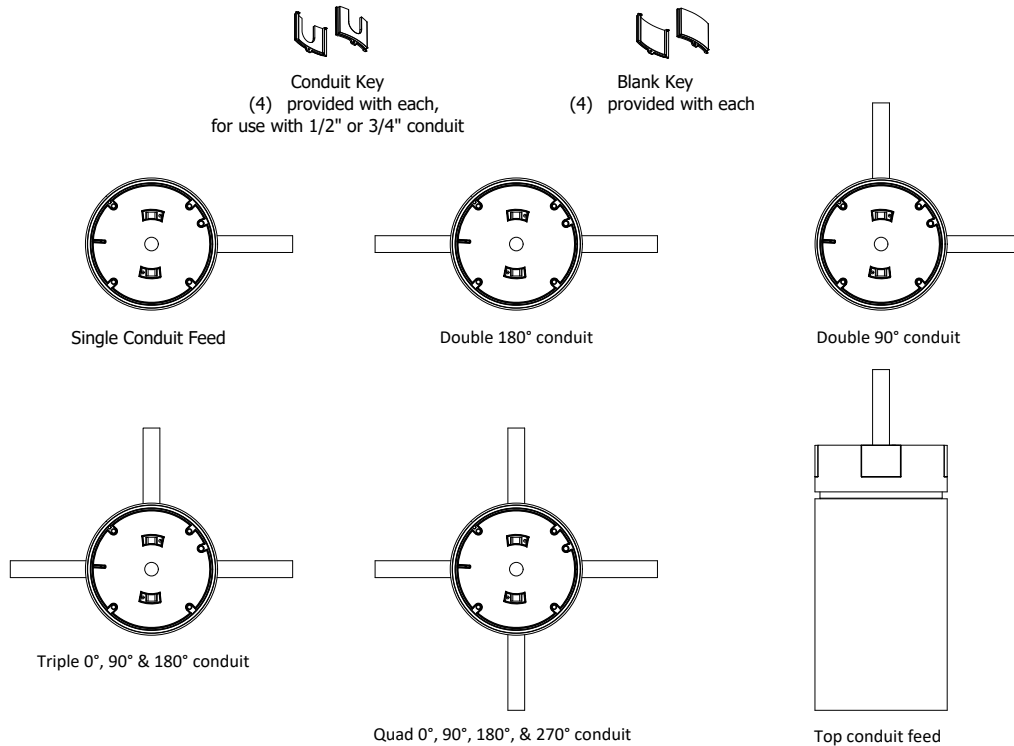
\*Dimensions in inches [centimeters]

DIMENSIONAL DATA

**Cutting Formulas for JBX**



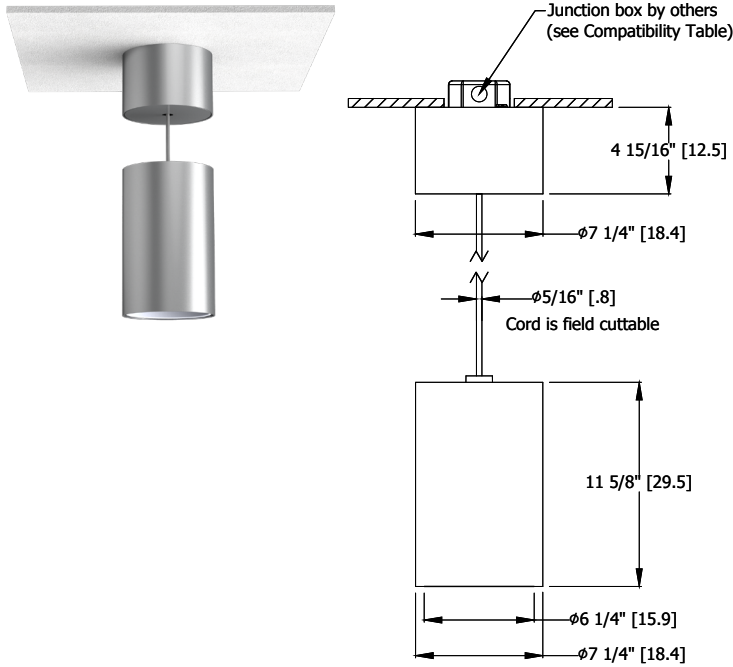
**Conduit Feed Examples and Keys**



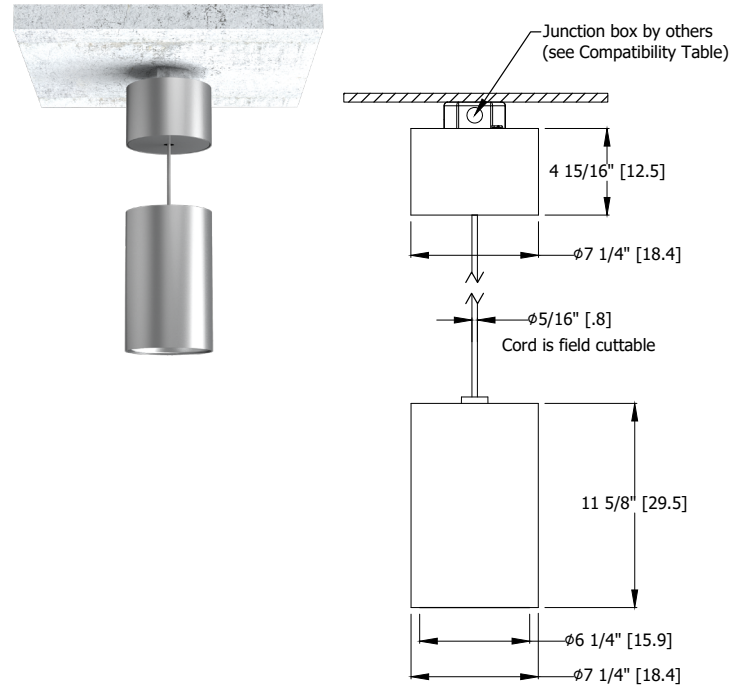


DIMENSIONAL DATA

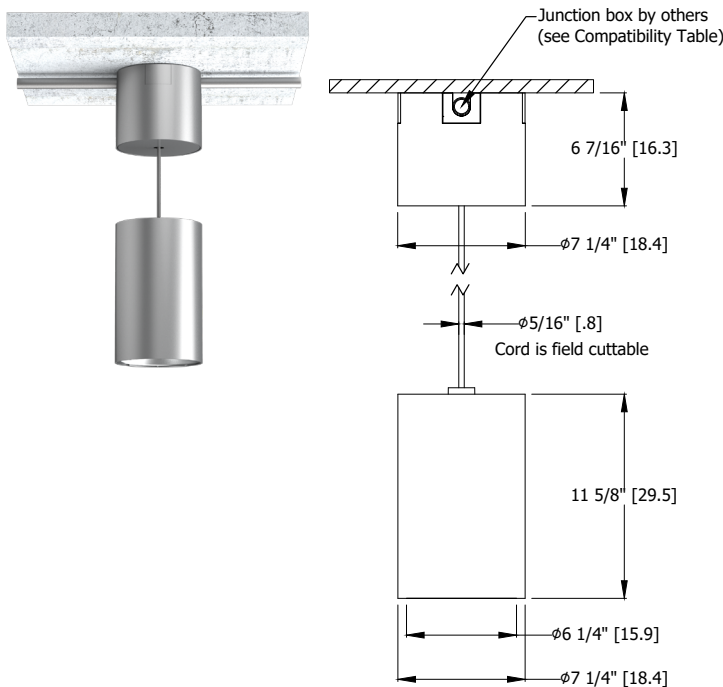
**SGB Surface Gear Box for DMX Recessed**



**SGB Surface Gear Box for DMX Surface**



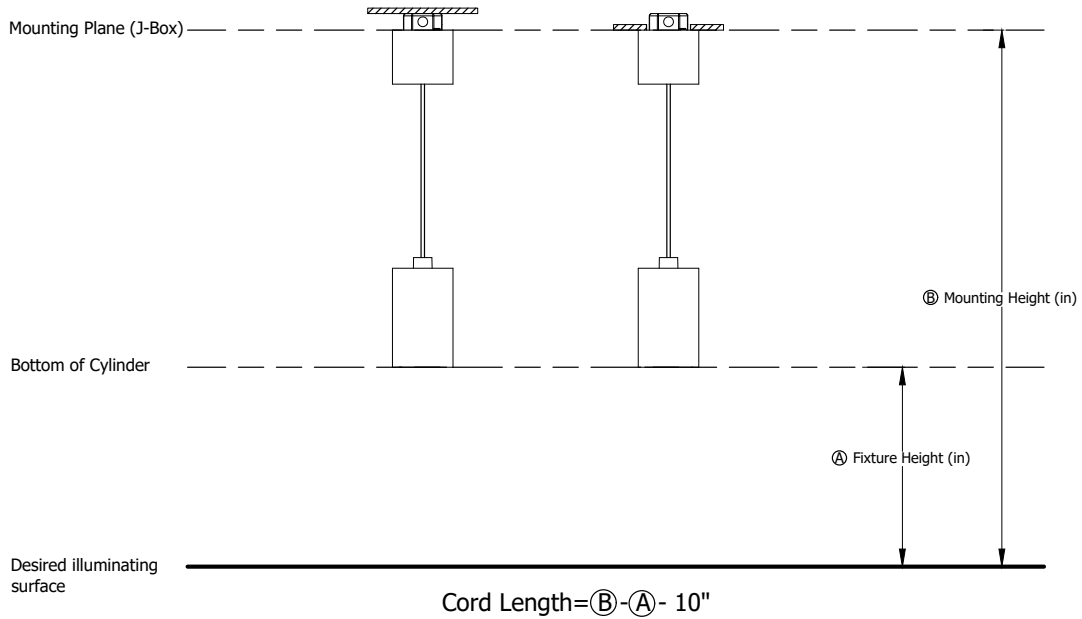
**SGBCC Surface Gear Box for DMX with Conduit Covers**



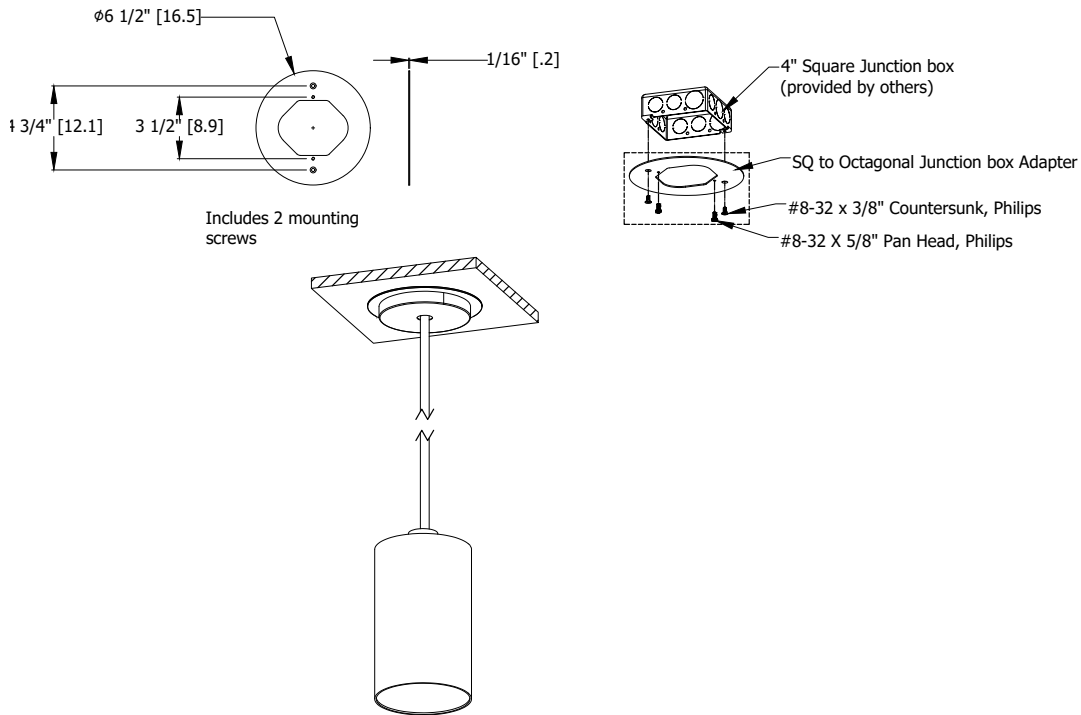


DIMENSIONAL DATA

**Cutting Formulas for SGB**

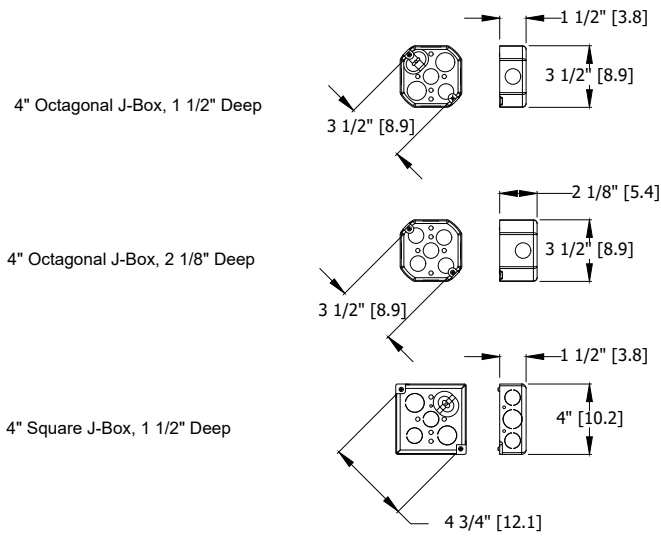


**Cylinder Adaptor Plate**

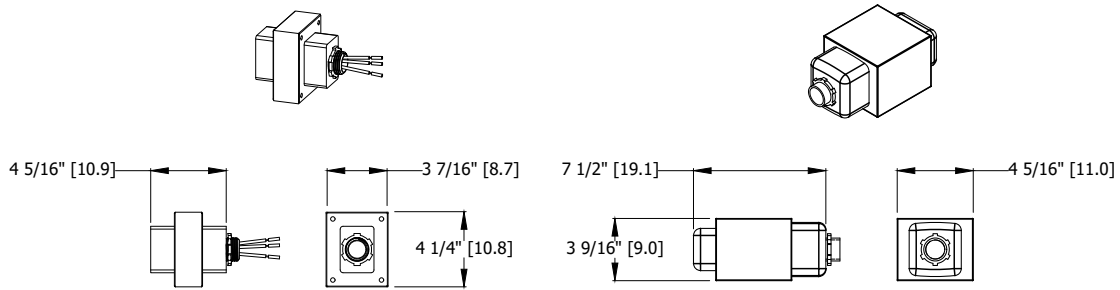


DIMENSIONAL DATA

**Junction Box Dimensions (by others)**



**347V Stepdown Transformer**



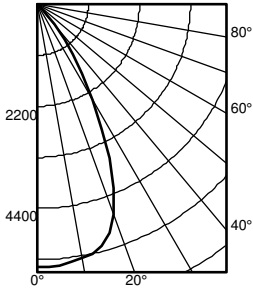
347 Transformer:  
Up to 6000LM  
Install to accessible  
junction box by others

347 Transformer:  
8000LM and up  
Install to accessible  
junction box by others

Photometry

**EV06 TUWH RHYR /45 6AR LS CRI80 2700K**

INPUT WATTS: 47.5, DELIVERED LUMENS: 4700, LM/W=98.9, 0.84 S/MH, TEST NO. 19-031-03P97

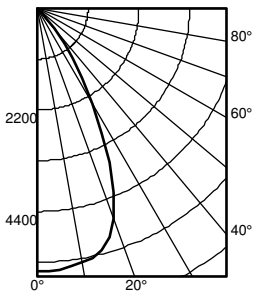


Ave Lumens	Zone Lumens % Lamp	pf pc pw	80%			70%			50%		
			50%	30%	10%	50%	30%	10%	50%	30%	10%
0 5659	0° - 30° 3682.5 78.3	0	119	119	119	116	116	116	111	111	111
5 5666	0° - 40° 4529.3 96.4	1	111	109	107	109	107	105	105	103	102
15 5397	0° - 60° 4696.0 99.9	2	104	100	97	102	99	96	99	96	94
25 3664	0° - 90° 4700.5 100.0	3	97	93	89	96	92	88	93	90	87
35 1330	90° - 180° 0.0 0.0	4	91	86	82	90	86	82	88	84	81
45 158	0° - 180° 4700.5 *100.0	5	86	81	77	85	80	76	83	79	76
55 8	*Efficiency	6	81	76	71	80	75	71	79	74	71
65 3		7	77	71	67	76	71	67	75	70	66
75 1		8	72	67	63	72	67	63	71	66	63
85 0		9	69	63	59	68	63	59	67	62	59
90 0		10	65	60	56	65	59	56	64	59	56

Mounting Height	Center Beam	Initial FC		Diameter	FC
		Diameter	FC		
8.0	187.1	5.0	93.5	8.2	18.7
10.0	100.6	6.9	50.3	11.1	10.1
12.0	62.7	8.7	31.3	14.1	6.3
14.0	42.8	10.5	21.4	17.1	4.3
16.0	31.1	12.4	15.5	20.0	3.1

**EV06 TUWH RHYR /45 6AR LS CRI80 3500K**

INPUT WATTS: 47.5, DELIVERED LUMENS: 4726, LM/W=99.5, 0.84 S/MH, TEST NO. 19-031-03P99

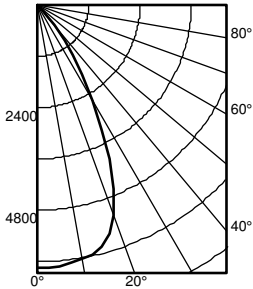


Ave Lumens	Zone Lumens % Lamp	pf pc pw	80%			70%			50%		
			50%	30%	10%	50%	30%	10%	50%	30%	10%
0 5691	0° - 30° 3703.1 78.3	0	119	119	119	116	116	116	111	111	111
5 5698	0° - 40° 4554.5 96.4	1	111	109	107	109	107	105	105	103	102
15 5428	0° - 60° 4722.2 99.9	2	104	100	97	102	99	96	99	96	94
25 3684	0° - 90° 4726.8 100.0	3	97	93	89	96	92	88	93	90	87
35 1337	90° - 180° 0.0 0.0	4	91	86	82	90	86	82	88	84	81
45 159	0° - 180° 4726.8 *100.0	5	86	81	77	85	80	76	83	79	76
55 8	*Efficiency	6	81	76	71	80	75	71	79	74	71
65 3		7	77	71	67	76	71	67	75	70	66
75 1		8	72	67	63	72	67	63	71	66	63
85 0		9	69	63	59	68	63	59	67	62	59
90 0		10	65	60	56	65	59	56	64	59	56

Mounting Height	Center Beam	Initial FC		Diameter	FC
		Diameter	FC		
8.0	188.1	5.0	94.0	8.2	18.8
10.0	101.2	6.9	50.6	11.1	10.1
12.0	63.1	8.7	31.5	14.1	6.3
14.0	43.0	10.5	21.5	17.1	4.3
16.0	31.2	12.4	15.6	20.0	3.1

**EV06 TUWH RHYR /45 6AR LS CRI80 6500K**

INPUT WATTS: 47.5, DELIVERED LUMENS: 5100, LM/W=107.4, 0.84 S/MH, TEST NO. 19-031-03P102



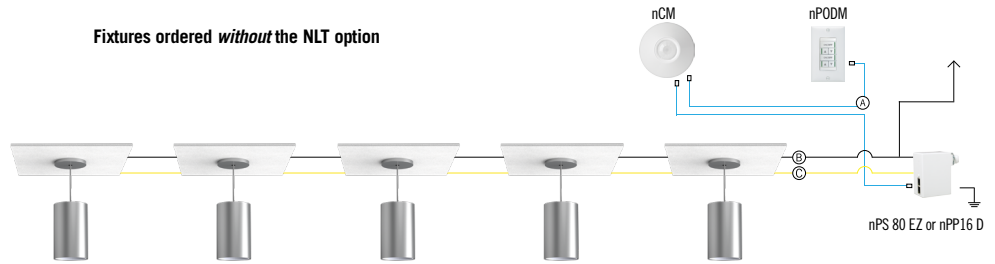
Ave Lumens	Zone Lumens % Lamp	pf pc pw	80%			70%			50%		
			50%	30%	10%	50%	30%	10%	50%	30%	10%
0 6141	0° - 30° 3996.2 78.3	0	119	119	119	116	116	116	111	111	111
5 6149	0° - 40° 4915.0 96.4	1	111	109	107	109	107	105	105	103	102
15 5857	0° - 60° 5096.0 99.9	2	104	100	97	102	99	96	99	96	94
25 3976	0° - 90° 5100.9 100.0	3	97	93	89	96	92	88	93	90	87
35 1443	90° - 180° 0.0 0.0	4	91	86	82	90	86	82	88	84	81
45 172	0° - 180° 5100.9 *100.0	5	86	81	77	85	80	76	83	79	76
55 8	*Efficiency	6	81	76	71	80	75	71	79	74	71
65 3		7	77	71	67	76	71	67	75	70	66
75 1		8	72	67	63	72	67	63	71	66	63
85 0		9	69	63	59	68	63	59	67	62	59
90 0		10	65	60	56	65	59	56	64	59	56

Mounting Height	Center Beam	Initial FC		Diameter	FC
		Diameter	FC		
8.0	203.0	5.0	101.5	8.2	20.3
10.0	109.2	6.9	54.6	11.1	10.9
12.0	68.0	8.7	34.0	14.1	6.8
14.0	46.4	10.5	23.2	17.1	4.6
16.0	33.7	12.4	16.8	20.0	3.4

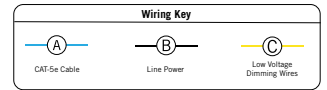
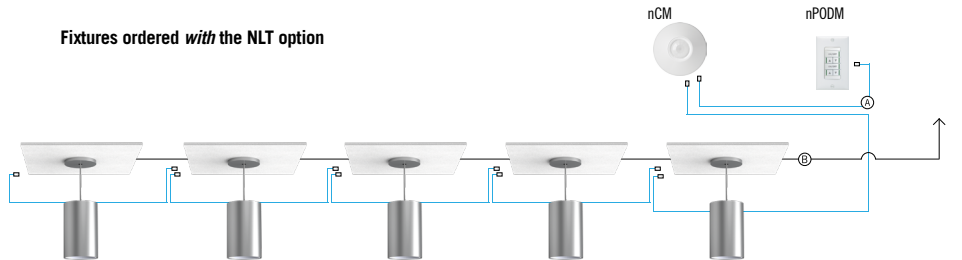
**nLight®** The nLight® solution is a digital networked lighting control system that provides both energy savings and increased user configurability by cost effectively integrating time-based, daylight-based, sensor-based and manual lighting control schemes.

**Possibilities for nLight® wired**

**Fixtures ordered *without* the NLT option**



**Fixtures ordered *with* the NLT option**



**nLight® Wired Control Accessories**

Order as separate catalog number. Visit [nLight](http://nLight.com).

Wall Switches	Model Number
On/Off single pole	nPODM (color)
On/Off two pole	nPODM 2P (color)
On/Off & raise/lower single pole	nPOD DX (color)
On/Off & raise/lower two pole	nPODM 2P DX (color)
Graphic touchscreen	nPOD GFX (color)
<b>Photocell Controls</b>	
Dimming	nCM ADCX

**nLight® Wired Control Accessories (cont.)**

Occupancy Sensors (PIR/dual tech)	Model Number
Small motion 360°, ceiling	nCM 9 / nCM PDT 9
Large motion 360°, ceiling	nCM 10 / nCM PDT 10
Wide View	nWV 16 / nWV PDT 16
Wall switch with raise/lower	nWSX LV DX / nWSX PDT LV DX
<b>Cat-5 Cables (plenum rated)</b>	
10', CAT5	CAT5 10FT J1
15', CAT5	CAT5 15FT J1