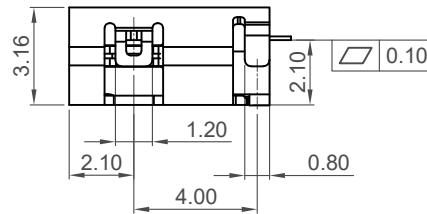
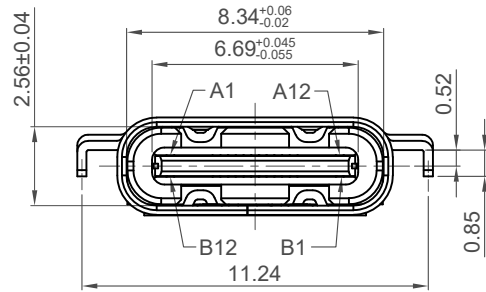


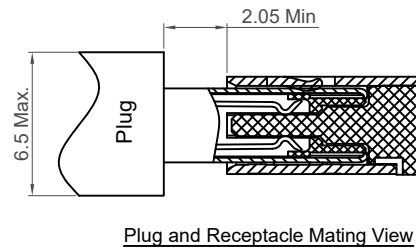
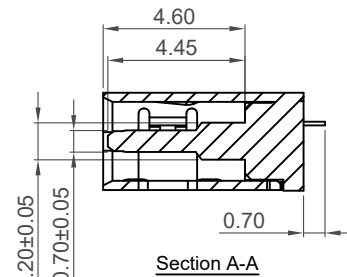
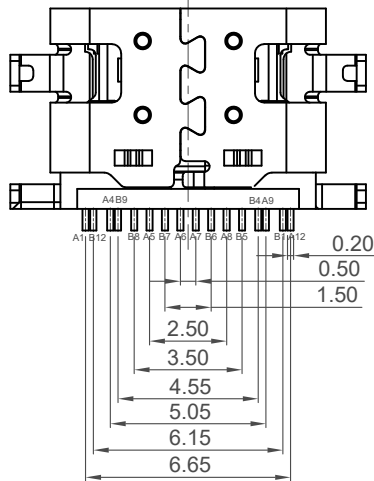
Recommended PCB Layout
Thickness=0.80mm

As viewed from component side Tolerance:±0.05mm

■ Solder Area □ Component Outline



| Pin | Signal | Mating Sequence | Pin | Signal | Mating Sequence |
|-------|--------|-----------------|-------|--------|-----------------|
| A1 | GND | First | B12 | GND | First |
| A4 | Vbus | First | B9 | Vbus | First |
| A5 | CC1 | Second | B8 | SBU2 | Second |
| A6 | Dp1 | Second | B7 | Dn2 | Second |
| A7 | Dn1 | Second | B6 | Dp2 | Second |
| A8 | SBU1 | Second | B5 | CC2 | Second |
| A9 | Vbus | First | B4 | Vbus | First |
| A12 | GND | First | B1 | GND | First |
| SHELL | GND | | SHELL | GND | |



Specifications

Material

Insulator: LCP, E130i, UL 94V-0, Black
Contact: Copper Alloy, C18400-H, T=0.12mm
Shell: Stainless steel, SUS304-1/2H, T=0.30mm
Mid Plate: Stainless Steel, SUS301-3/4H, T=0.15mm

Plating

Terminal:

Contact Area: See Ordering Grid
Solder Tails: Gold Flash
Underplating: 50µ" Min. Nickel All Over
Shell: 30µ" Min. Nickel

Electrical

Current Rating: 5.00A collectively for Vbus pins
6.25A collectively for GND pins
1.25A for B5 pin
0.25A per pin for all other pins

Voltage Rating: 20V DC

Contact Resistance: 40mΩ max initial.
50mΩ max after test

Dielectric Withstanding Voltage: 100V AC
Insulation Resistance 100MΩ min

Mechanical & Environmental

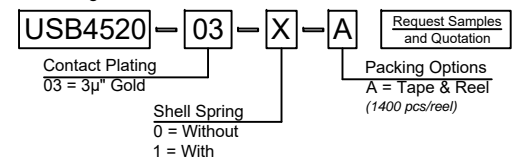
Operating Temperature: -25°C to +85°C

Mating Force: 5 to 20 N.

Unmated Force: 6 to 20 N after test

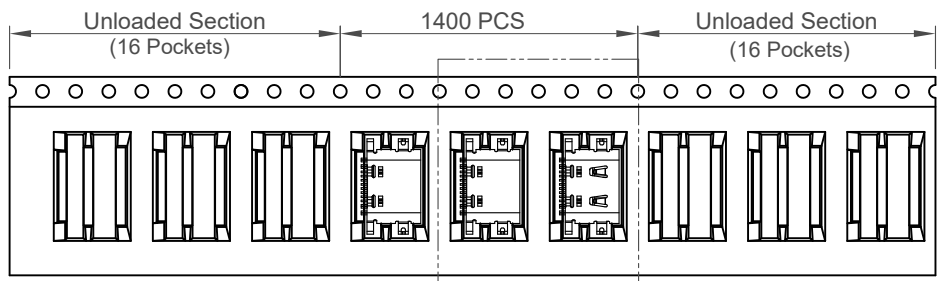
Durability: 10,000 cycles

Ordering Grid



| | | | |
|--------------|-----------------|--|-------------|
| Part Number | | Product Description | |
| USB4520 | | USB Type C Receptacle for USB 2.0, SMT Type, Mid Mount, 2.1mm Offset | |
| Drawing Date | | 1st July 2021 | |
| By | CC | Tolerances (Except as Noted) | Units: |
| Detail | Drawing Release | Length | Metric (mm) |
| Revision | A | Angle | |
| Date | 01/07/21 | X.X ± 0.30 | |
| | | X.XX ± 0.20 | |
| | | X.XXX ± 0.10 | |
| | | | |
| | | | |
| | | | |
| | | This drawing is confidential and copyright of Global Connector Technology, Ltd (GCT). This drawing must not be copied or disclosed without written consent. E & OE | |
| Not to Scale | Drawn By | CC | Sheet No. |
| | | | 1/2 |

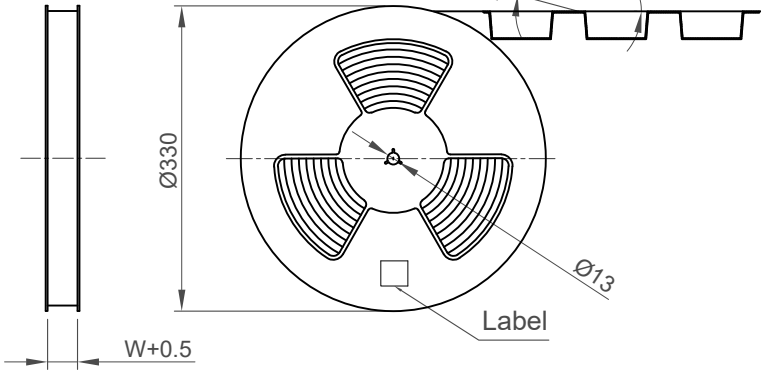




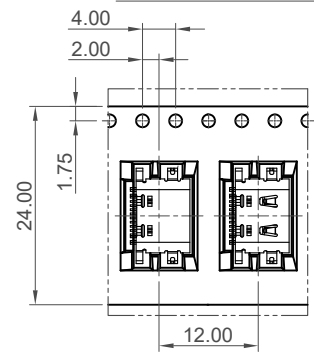
Direction of Unreeling

Detail E

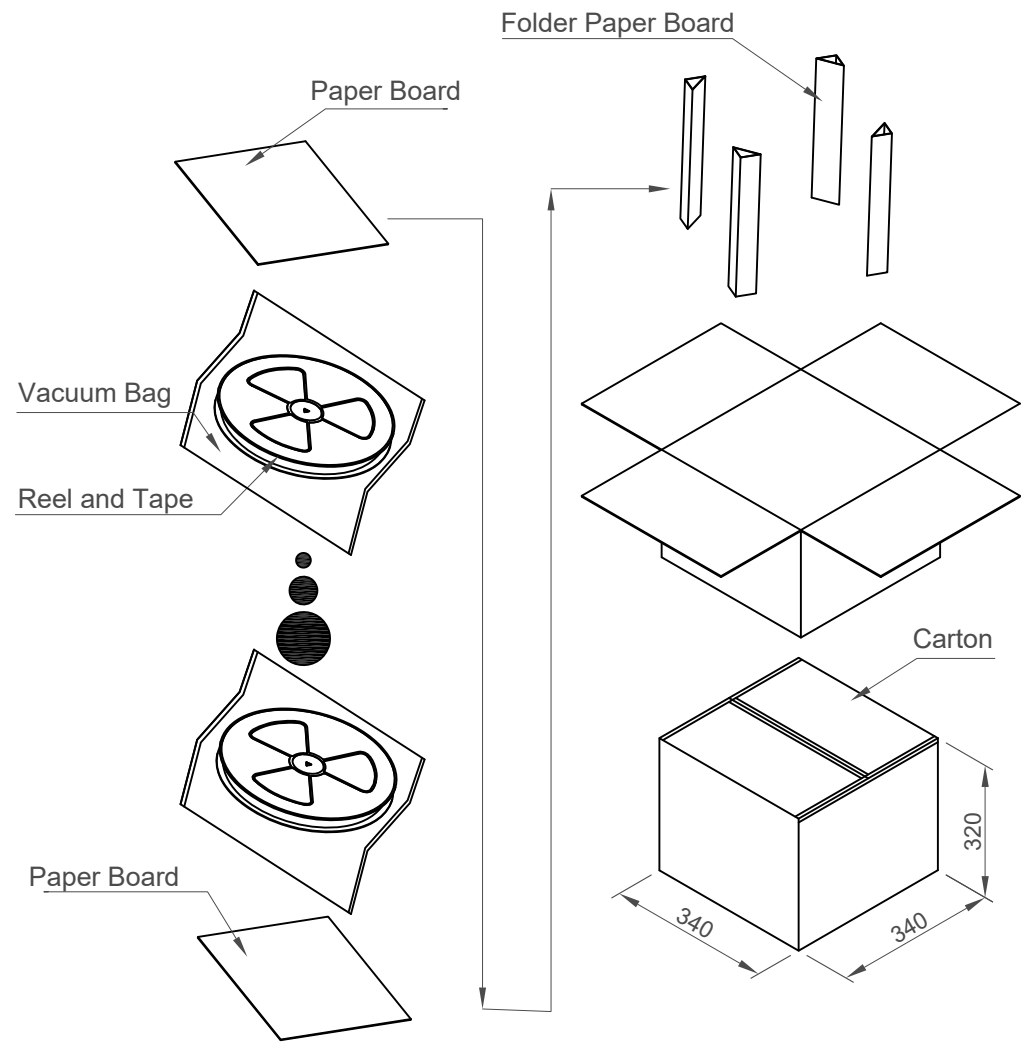
Peeling Angle 165°~180°



Direction of Unreeling



Detail: E



| Pcs / Reel | Reels / Carton | Total Quantity |
|------------|----------------|----------------|
| 1400 | 10 | 14000 pcs |

| | | | |
|-------------------------------|-----------------|---|-------|
| Part Number USB4520 | | Product Description USB Type C Receptacle for USB 2.0, SMT Type, Mid Mount, 2.1mm Offset | |
| Drawing Date 1st July 2021 | | | |
| By CC | Drawing Release | Tolerances (Except as Noted) Length | Angle |
| Detail | | | |
| Revision A | | | |
| Date 01/07/21 | | | |
| | | Units: Metric (mm) | |
| | | | |



This drawing is confidential and copyright of Global Connector Technology, Ltd (GCT). This drawing must not be copied or disclosed without written consent. E & OE

| | | |
|--------------|----------------|------------------|
| Not to Scale | Drawn By CC | Sheet No. 2/2 |
|--------------|----------------|------------------|

Mouser Electronics

Authorized Distributor

Click to View Pricing, Inventory, Delivery & Lifecycle Information:

[Global Connector Technology \(GCT\):](#)

[USB4520-03-0-A](#) [USB4520-03-1-A](#)