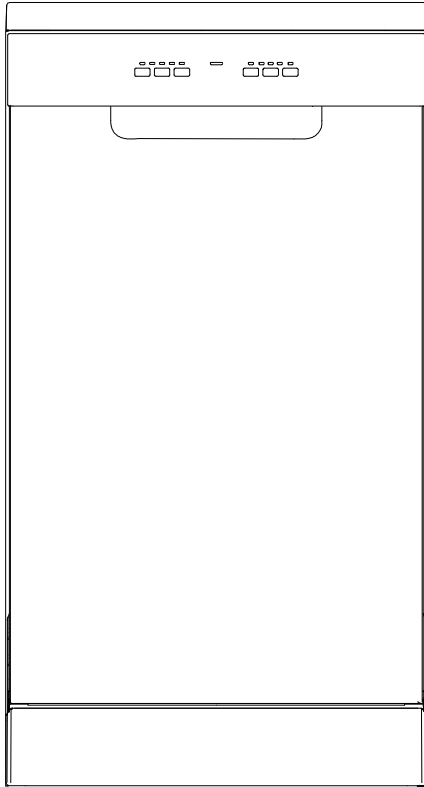




## User Manual Dishwasher



# Thank you for purchasing a Candy product

Please read these instructions carefully before using this appliance. The instructions contain important information which will help you get the best out of the appliance and ensure safe and proper installation, use and maintenance.

Keep this manual in a convenient place so you can always refer to it for the safe and proper use of the appliance.

If you sell the appliance, give it away, or leave it behind when you move house, make sure you also pass on this manual so that the new owner can become familiar with the appliance and safety warnings.

## Content

Safety and warnings .....	1
Installation instructions .....	4
Product Description .....	14
Overview of programmes.....	15
Water softening system.....	18
Using rinse aid.....	20
Utensils.....	21
Loading utensils.....	22
Adding detergent.....	25
Before first Use.....	26
Daily Use.....	28
Care and cleaning.....	30
Troubleshooting.....	33
Technical Data.....	37

Your dishwasher has been carefully designed to operate safely during normal dishwashing procedures. Please keep the following instructions in mind when you are using your dishwasher.

### **▲ WARNING** Electrical shock hazard

Before installing the dishwasher, remove the house fuse or open the circuit breaker. This appliance must be earthed. In the event of a malfunction or breakdown, earthing will reduce the risk of electric shock by providing a path of least resistance for electric current. This appliance is equipped with a cord having an equipment-earthing conductor and an earthing plug. The plug must be plugged into an appropriate outlet that is installed and earthed in accordance with all local codes and ordinances.

WARNING - Improper connection of the equipment-earthing conductor can result in a risk of electric shock. Check with a qualified electrician or service representative if you are in doubt as to whether the appliance is properly earthed.

Do not modify the power supply plug provided with the appliance - if it will not fit the outlet, have a proper outlet installed by a qualified electrician. Do not use an extension cord, adapter plug or multiple outlet box.

Failure to follow this advice may result in electrical shock or death.

### **▲ WARNING** Cut Hazard

Take care - panel edges are sharp.

Failure to use caution could result in injury or cuts.

### **▲ WARNING** When using your dishwasher, follow basic precautions, including the following:

- Read all instructions before using the dishwasher.
- The information in this manual must be followed to minimise the risk of fire or explosion or to prevent property damage, personal injury or loss of life.
- Use the dishwasher only for its intended function as described in this user guide.
- This appliance is intended to be used in household and similar applications such as:
  - staff kitchen areas in shops, offices and other working environments;
  - farm houses;
  - by clients in hotels, motels and other residential type environments;
  - bed and breakfast type environments.

## safety and warnings

---

- Use only detergents or rinse aid recommended for use in a domestic dishwasher and keep them out of reach of children.
- Check that the detergent dispenser is empty after the completion of each wash program.
- When loading items to be washed, locate sharp items so that they are not likely to damage the dishwasher and load sharp knives with the handle up to reduce the risk of cut-type injuries.
- Do not touch the filter plate (the metal disc in the dishwasher base) during or immediately after use, as it may be hot from the heater plate underneath.
- Do not tamper with the controls.
- Do not abuse, sit in, stand on the door or dish rack of the dishwasher.
- Do not lean on the adjustable racks or use them to support your body weight.
- To reduce the risk of injury, do not allow children to play in or on the dishwasher.
- Under certain conditions, hydrogen gas may be produced in a hot water heater system that has not been used for two weeks or more. Hydrogen gas is explosive. If the hot water system has not been used for such a period, before using the dishwasher, turn on all hot water taps and let the water flow from each for several minutes. This will release any accumulated hydrogen gas. As the gas is flammable, do not smoke or use an open flame during this time.
- Remove the door to the washing compartment when removing an old dishwasher from service or discarding it.
- Some dishwasher detergents are strongly alkaline. They can be extremely dangerous if swallowed. Avoid contact with the skin and eyes and keep children away from the dishwasher when the door is open. Check that the detergent receptacle is empty after completion of the wash cycle.
- Certified residential dishwashers are not intended for licensed food establishments.

### **Maintenance safety instructions**

- Disconnect the appliance from the power supply before any cleaning or maintenance.
- When disconnecting the appliance, pull the plug rather than the power supply cord or junction of cord to avoid damage.
- Do not repair or replace any part of the appliance or attempt any servicing unless specifically recommended in this user guide.
- Keep the floor around your appliance clean and dry to reduce the possibility of slipping.

- Keep the area around/underneath your appliance free from the accumulation of combustible materials, such as lint, paper, rags and chemicals.

### **Operational safety instructions**

- Open the door very carefully if the dishwasher is in operation. There is a risk of being sprayed with hot water. Do not open the door fully until the spray arms have stopped rotating.
- The door should not be left in the open position as this could present a tripping hazard.
- The water inside the dishwasher is not suitable for drinking.
- The dishwasher must be used with the filter plate, drain filter and spray arm(s) in place. To identify what these parts are, see drawings in section “Care and Cleaning” of this user guide.
- Do not operate this dishwasher if it is damaged, malfunctioning, partially disassembled or has missing or broken parts, including a damaged power supply cord or plug.
- Household appliances are not intended to be played with by children. Children of less than 8 years old must be kept away from the appliance unless continuously supervised. This appliance can be used by children aged from 8 years and above, and persons with reduced physical, sensory or mental capabilities or lack of experience and knowledge, if they have been given supervision or instruction concerning the use of the appliance in a safe way and they understand the hazards involved.
- Cleaning and user maintenance shall not be done by children without supervision.
- Do not allow children to play inside, on or with this appliance or any discarded appliance.
- If a dishwasher cleaner is used, we would strongly recommend a wash program with detergent should be run immediately afterward, to prevent any damage to the dishwasher.
- The dishwasher is designed for washing normal household utensils. Items that are contaminated by petrol, paint, steel or iron debris, corrosive, acidic or alkaline chemicals are not to be washed in the dishwasher.
- If the dishwasher is not being used for long periods of time, turn the electricity and water supply to the dishwasher off.

## Installation instructions

---

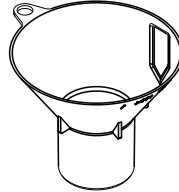
### ■ Parts supplied



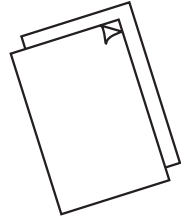
Drain hose support (1)



Inlet hose (1)



Salt funnel(1)



Installation and User Instructions

### ■ Prior to installation

#### Unpacking and handling

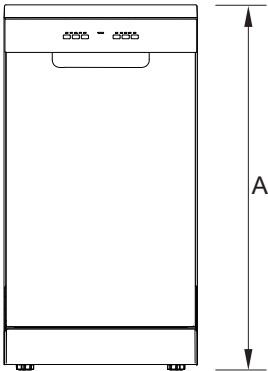
- Check packaging and dishwasher for signs of transport damage. If the dishwasher is in any way damaged, do not install it. Contact the dealer the dishwasher was purchased from.
- Disposal of packaging: some of the packaging is recyclable. Check the symbols and labels and recycle if possible.
- Never lift the dishwasher from the door handle or the top panel. Doing so may cause damage.
- Always be careful with the hoses and power cord at the back of the dishwasher. Careful handling will prevent damage and malfunction from squashing, kinking or cuts.
- While installing the dishwasher, check the drain hose is not restricted or kinked.

#### Connections and services

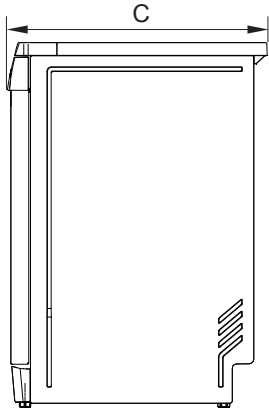
- Check that the power cord is long enough to reach the outlet. If it isn't, it must be replaced by a haier authorised technician. Extension cords or multi-outlet power boards should not be used to connect the dishwasher to the power supply.
- Check that the hoses are long enough to reach the services. If a hose needs extending, ensure that the extension hose is new and of equal quality and diameter to the one already fitted.
- The dishwasher should not be connected to a water system where the temperature exceeds 60°C.
- The dishwasher must not be connected to an undersink high-pressure “push-through” type hot water system, as damage to the system will result.

**1** Product dimensions

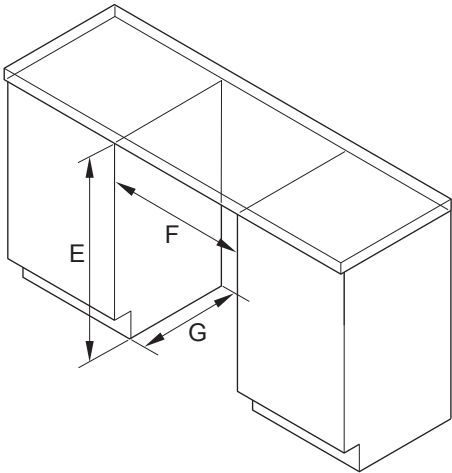
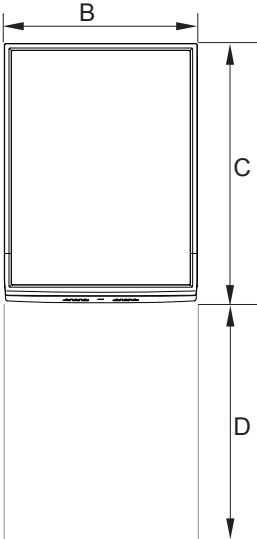
PLAN



PROFILE



FRONT



## Installation instructions

---

PRODUCT DIMENSIONS		MM
A	Overall height of product with top panel in place with top panel removed*	846 - 866** 816 - 836**
B	Overall width of product	448
C	Overall depth of product	605
D	Depth of open door (measured from front of kickstrip)	1185

CABINETY DIMENSIONS		MM
E	Inside height of cavity with top panel in place with top panel removed*	850 - 870** 825 - 845**
F	Minimum inside width of cavity	450
G	Minimum inside depth of cavity	605

\* The top panel may be removed to suit underbench cavity height. See instructions opposite.

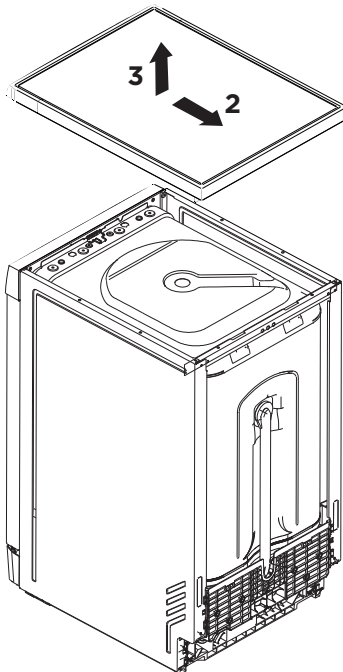
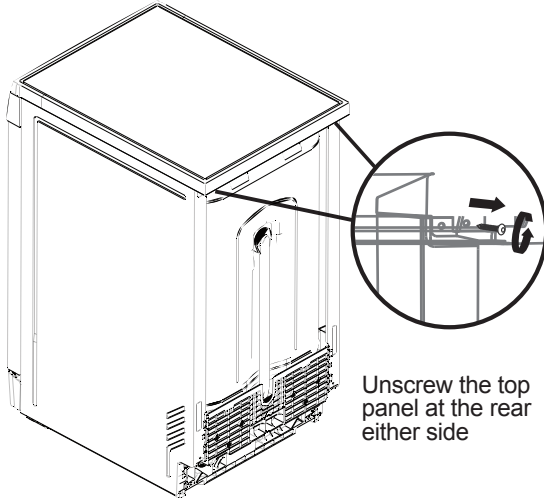
\*\*Depending on feet height adjustment.



## 2 Cavity preparation

Preparing the product and cabinetry

The top panel may be removed to suit underbench cavity height. See the illustrations below.



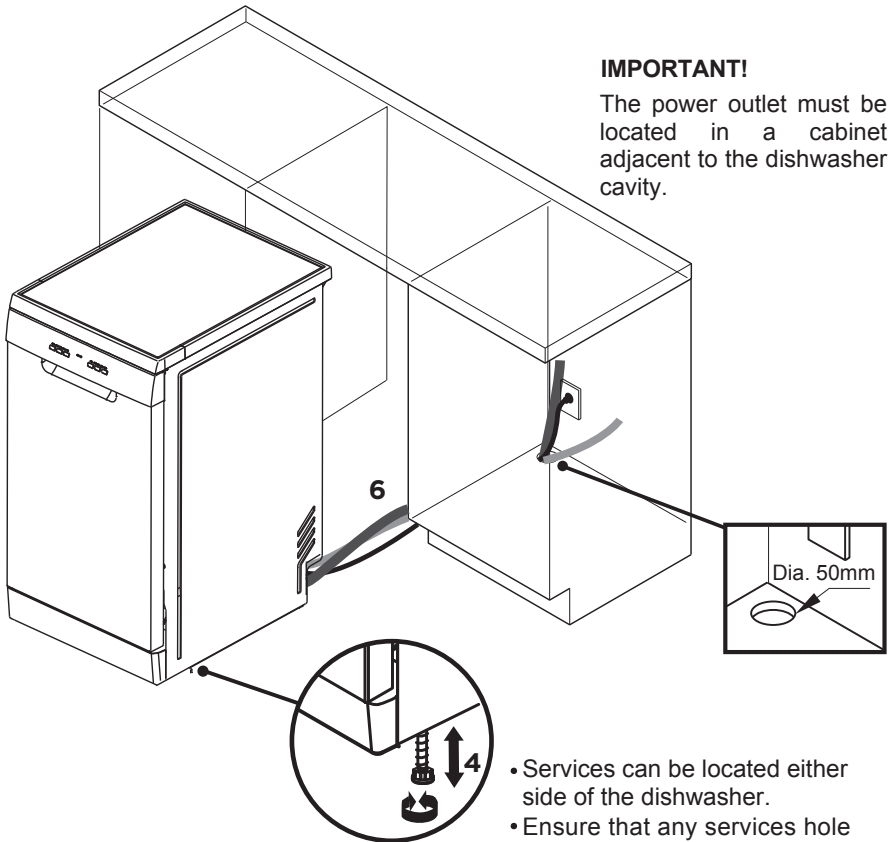
Slide backward (2)  
20-30mm, then  
lift off (3)

## Installation instructions

---

### IMPORTANT!

To prevent possible steam damage to the cabinetry, ensure that any bare wood surrounding the dishwasher is sealed with an oil-based paint or moisture-proof polyurethane.



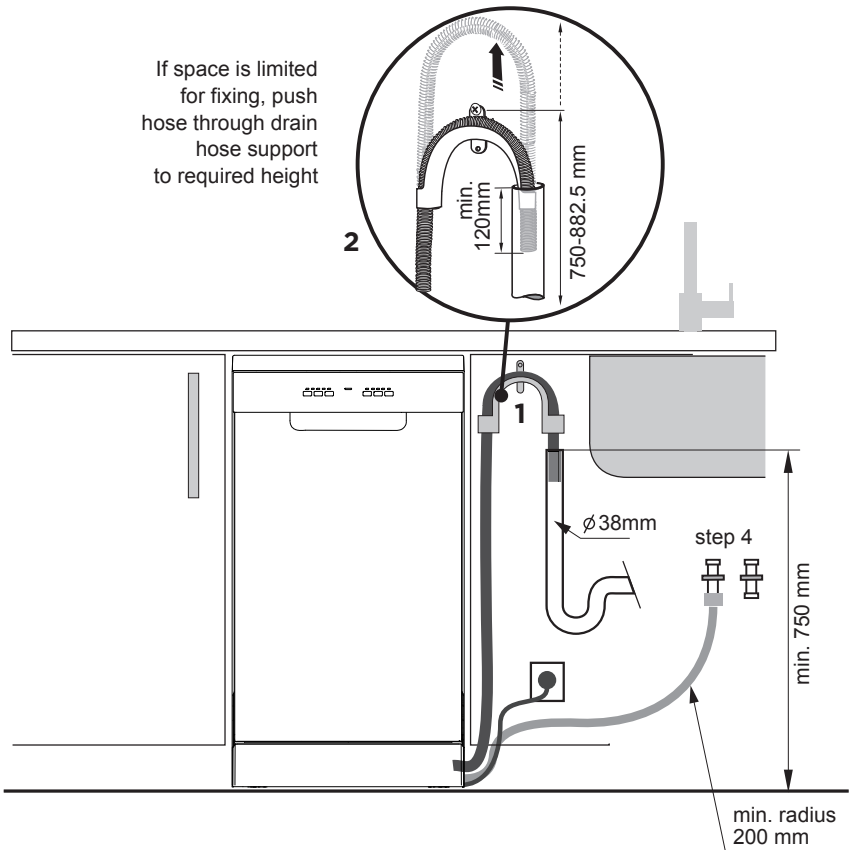
### IMPORTANT!

The power outlet must be located in a cabinet adjacent to the dishwasher cavity.

- Services can be located either side of the dishwasher.
- Ensure that any services hole has a minimum diameter of 50mm.

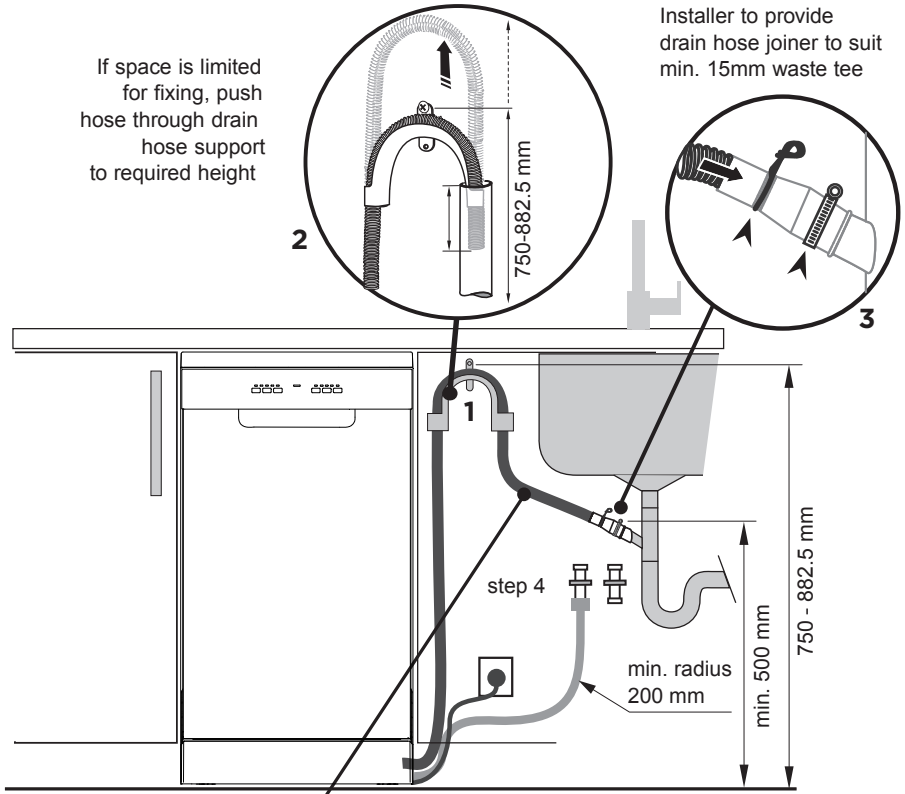
**3 Plumbing and drainage options. Determine which is more suitable**

**Dishwasher and Ø 38 mm Standpipe**



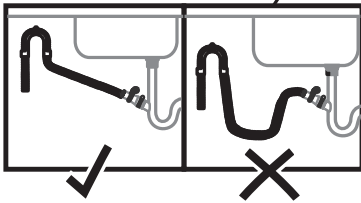
# Installation instructions

## Dishwasher using drain hose joiner onto sink trap/waste tee



If space is limited for fixing, push hose through drain hose support to required height

Installer to provide drain hose joiner to suit min. 15mm waste tee

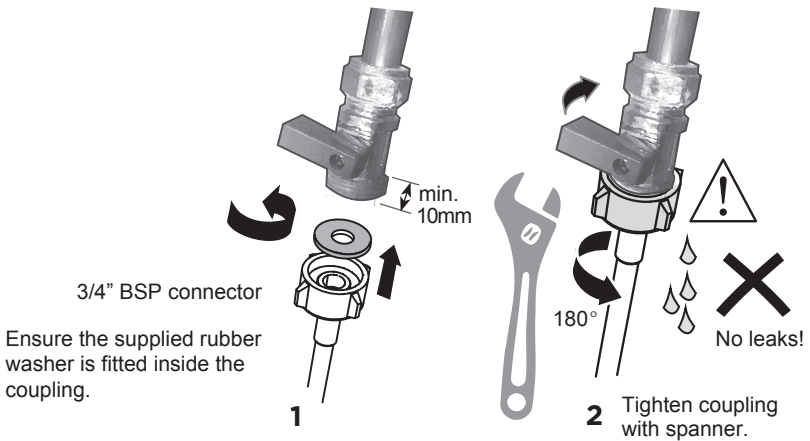


Ensure drain hose is routed straight to joiner. Remove excess drain hose material if necessary. Do not shorten the inlet hose.

### IMPORTANT!

Do not connect the drain hoses to a Waste Disposal Unit, as this type of connection may lead to a blockage in the drain hoses.

## 4 Connect inlet hose to cold water



Plumbing -- Water inlet connection

### IMPORTANT!

- **The appliance should be connected to the water main using the new water inlet hose supplied. Old hoses should not be used.**
- **Do not shorten the inlet hose.**

1. Take note of water connection requirements.

- The dishwasher has a single valve water connection.
- We recommend a cold water connection for best performance and energy efficiency.
- The incoming water temperature should not exceed 25°C.

2. Take note of the permitted water pressure extremes.

- Lowest: 0.3 bar = 3 N/cm<sup>2</sup> = 30kPa
- Where pressure is below 1 bar, contact a qualified plumber.
- Highest: 10 bar = 100 N/cm<sup>2</sup> = 1MPa
- Where pressure is above 10 bar, a pressure reduction valve must be installed. Contact a qualified plumber.

3. Connect the water inlet hose to an accessible water tap with a 3/4" BSP connector. Ensure that there is no kink in the inlet hose that could restrict the flow of water. A 90° bend requires a minimum height of 200mm for a kink-free curve.

- Ensure incoming water is clear. If the water pipes have not been used for a long period of time, let the water run to make sure it is clear with no impurities. Not doing so may result in the water inlet hose getting blocked and damaging the appliance.
- If required, use a filter insert to filter out deposits from the piping. The filter insert is available from your Authorised Service Centre or Customer Care.

4. Tighten the hose coupling a further half turn after seal contact.

5. Check that the connection does not leak.

### **5** Plug product in



#### Electrical connection

- The dishwasher must not be connected to the electrical supply while installation is being carried out. Ensure all domestic wiring is properly earthed.
- Check the rating label (located on the left-hand side of the dishwasher's stainless steel inner door) and ensure that the voltage and frequency values for the current in the house correspond to those on the rating label.
- Insert the plug into a properly earthed power outlet that has a disconnection switch.

#### **IMPORTANT!**

- The earthing of the appliance is a safety requirement mandated by law.
- If the power cord is not long enough to reach the outlet or the outlet to which the appliance must be connected is not appropriate for the plug, the entire dishwasher power cord must be replaced. This should only be done by a Haier authorised technician. Do not modify or cut the plug. Do not use an adaptor, extension cord, or multi-outlet power board to connect the dishwasher to the power supply, as these could cause overheating and create a fire hazard.
- The outlet into which the dishwasher is plugged must remain easily accessible (e.g. in an adjacent cabinet) even when the appliance is installed. This is to ensure that the dishwasher can be disconnected from the power supply for safe cleaning and maintenance.

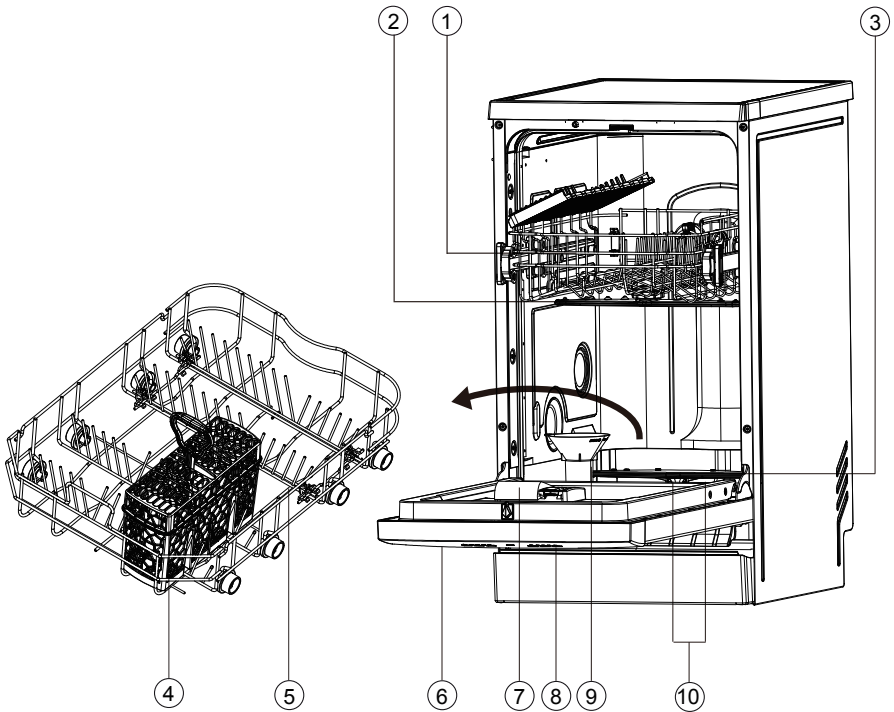
### ■ Final checklist

#### To be completed by the installer

- Check all parts are installed.
- Ensure that all panels and parts thereof are secure and final electrical tests have been conducted in accordance with local electrical regulations.
- Check that the dishwasher is level. If necessary, adjust the levelling feet slightly. To ensure optimum performance, the dishwasher should not be inclined more than 1°. Check with a spirit level.
- Ensure inlet hose to water supply has supplied rubber washer fitted, and that it's tightened a further half turn after seal contact.
- Ensure any knockouts or plugs in drain connection have been drilled out and drain connection has been made.
- The drain hose joiner must not support the weight of excess hose material. Keep drain hose as fully extended as possible to prevent sagging. Any excess length of drain hose should be kept on the dishwasher side of the highloop.
- If connecting the drain hose to the sink trap, ensure the Highloop is a minimum 150mm higher than the drain hose joiner.
- Ensure any packaging or tape securing the racks is removed from the dishwasher.
- Check that the door opens and closes freely without resistance to adjacent cabinetry.
- Check that the electrical outlet is accessible and located in an adjacent cupboard.
- Check the operation of the dishwasher:  
If a fault code appears, see the 'Fault codes' section of the User guide for advice.

# Product Description

---



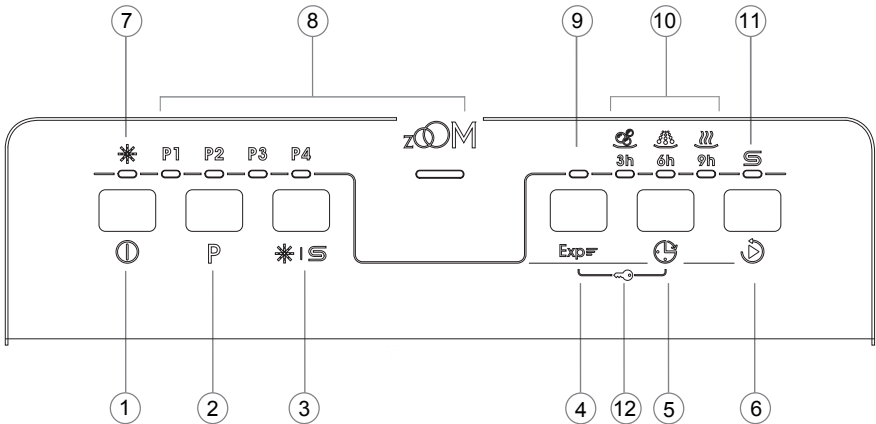
- 1. Upper basket
- 2. Upper spray arm
- 3. Lower spray arm
- 4. Cutlery basket
- 5. Lower basket

- 6. Rating label
- 7. Detergent dispenser
- 8. Rinse aid dispenser
- 9. Salt container
- 10. Filters



# Overview of programmes

On some models without Digital



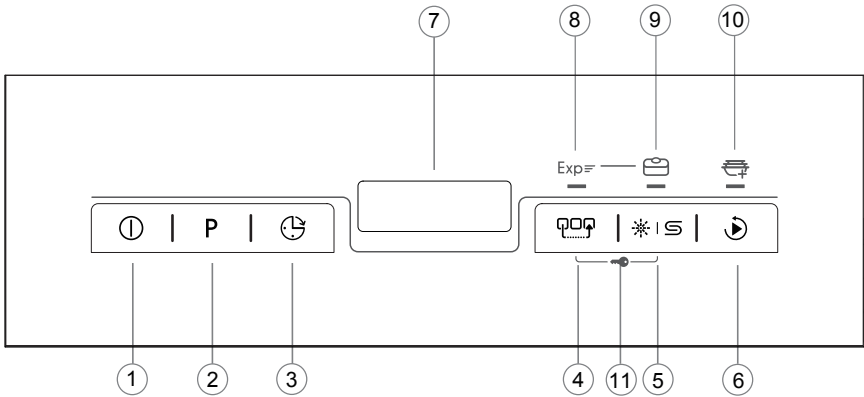
- |   |                                   |
|---|-----------------------------------|
| 1. ON / OFF button                      | 7. Rinse Aid indicator            |
| 2. PROGRAMME SELECT button              | 8. PROGRAMME indicator            |
| 3. Lack Salt and Rinse Aid reset button | 9. Additional function indicator  |
| 4. Additional function button*          | 10. START DELAY/Status Indicators |
| 5. START DELAY button                   | 11. Salt Aid indicator            |
| 6. START / RESET button                 | 12. Child Lock*                   |

\* Exp : Acceleration Additional function , It can only be used with P1(ECO), P2(Universal), P3(Intensive)

Child Lock:To activate or cancle Child lock,press button Exp and button 5 seconds while the right three LED flash 3 seconds,the child lock comes on or turn off.

# Overview of programmes

On some models with Digital



- |   |   |
|---|---|
| 1. ON / OFF button                      | 7. Time & Info Display                        |
| 2. PROGRAMME SELECT button              | 8. Speed Up function Indicator                |
| 3. START DELAY button                   | 9. Multi-tab function Indicator               |
| 4. Additional function button *         | 10. Add dish Indicator/1/2 function Indicator |
| 5. Lack Salt and Rinse Aid reset button | 11. Child Lock *                              |
| 6. START / RESET button                 |   |

\*

Exp : Acceleration Additional function , It can only be used with P1(ECO)

Child Lock:To activate or cancel Child lock,press button Exp and button 5 seconds while the right three LED flash 3 seconds,the child lock comes on or turn off.

## Time & Info display

During any selection the display shows by flashing related information like

- ▶ Programme cycle time
- ▶ Programme start delay time
- ▶ Error codes and service information

After start of an operation it displays without flashing:

- ▶ Remaining time in hours of a delayed programme starts, e.g. 24h
- ▶ Remaining programme cycle time in minutes, e.g.130

While running it may vary due to local conditions and daily working load.

## Overview of programmes

Programmes			
Programmes		Type of food residue	Type of load
P1	<b>ECO</b> 50°C 298min	Normal soil: Soups, eggs, sauces, potatoes, pasta, rice, roasted or fried food	Non-delicate: Dinnerware cutlery, glass ware
P2	<b>Universal</b> 60°C 115min	Normal soil: Casse roles, sauces, potatoes, pasta, rice, roasted or fried food	Non-delicate: Dinnerware cutlery, pots and pans
P3	<b>Intensive</b> 70°C 130min	Heavy soil: Casse roles, sauces, potatoes pasta, rice, roasted or fried food	Non-delicate: Dinnerware cutlery, pots and pans
P4	<b>Prewash</b> 45°C 20min 1)	Fresh soil remnants: Coffee, cake, milk, cold drinks, salad, sausages	Non-delicate: Dinnerware
P5	<b>Zoom</b> 45°C 32min	Fresh soil: Coffee, cake, milk, cold drinks, salad, sausages	Non-delicate: Dinnerware, cutlery, glassware

Models with Digit also have the following programs:

P6	<b>Special</b> 45°C 72min	Dishes to be stored for a few days before washing	All: Glassware, dinnerware, glassware, pots and pans
P7	<b>Glass</b> 45°C 98min	Light soil: Coffee, cake, milk, cold drinks, salad, sausages	Delicate: Glassware, dinnerware, cutlery
P8	<b>AUTO WASH 2)</b> 45-70°C 148min	Light to heavy soil: Casse roles, sauces, potatoes, pasta, rice, roasted or fried food	Non-delicate: Dinnerware cutlery, pots and pans

1) Use this programme to quickly rinse the dishes. This prevents the remaining food to bond on the dishes and bad odours to come out from the appliance. Do not use detergent with this program!

2) The appliance senses the type of soil and the quantity of items in the baskets. It automatically adjusts the temperature and quantity of water, energy consumption and programme duration.

# Water softening system

---

To ensure good washing results, the dishwasher requires soft water. Hard water can be detrimental to the performance of your dishwasher. Over time, glassware washed in hard water will become opaque and dishes will become spotted or covered in a white film. Using very hard water can cause dishwasher parts to fail over time. Salt can improve the situation.

## Adjusting the water softening system

The amount of salt dispensed can be set in S1 and S6 stages, depending on the hardness of your water.

1. Find out about the hardness value of your tap water. Your water utility company will help you with this.
2. Setting can be found in the water hardness table.

## Identify the local water hardness

Water hardness				Water softener adjustment
German degrees(°dH)	French degrees(°fH)	Mmol/l	Clarke degrees	electronic
31-50	55-89	5.5-8.9	39-63	S6
17-30	30-54	3.0-5.4	21-38	S5
13-16	23-29	2.3-2.9	16-20	S4 <sup>1)</sup> *
9-12	16-22	1.6-2.2	11-15	S3
0-8	0-15	0-1.5	0-10	S2 <sup>2)</sup> *
-	-	-	-	S1 <sup>3)</sup> *

### \* Remark

- 1) Factory default setting for powder detergent.
- 2) Recommended setting for combi detergent tablets.
- 3) Indicator for Salt is off.

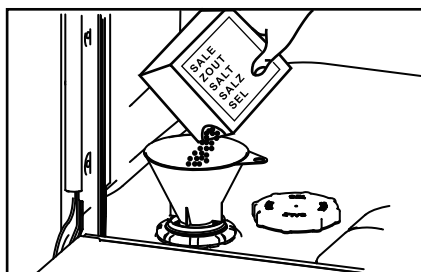
### Using special salt


As soon as the low salt indicator is lit on the control panel ,salt should be topped up. Always refill with special salt immediately before switching on the appliance. This ensures that overrun special salt solution is immediately washed out and does not corrode the rinsing tank.

### Top up the salt as follows:

#### **⚠ CAUTION**

Only use dishwasher salt. Other products can cause damage to the appliance! Any spilled salt causes corrosion. Run a programme after each refill.



1. Turn the cap clockwise to open the salt container.
2. Fill with 1 litre of water into the salt container.
3. Fill the tank up with specific salt (water overflows).
4. Remove spilled salt from the opening area.
5. Turn the cap counter-clockwise to close the salt container.
6. Press  button for 3 sec after each refill to reset salt aid indicator.

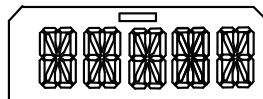
## Using rinse aid

---

We highly recommend using liquid rinse aid regularly to get the best drying results. Rinse aid gives a streak-free, sparkling clean look to glass and chinaware. In addition, it prevents metal from tarnishing.

### When to refill the rinse aid dispenser

When rinse aid level becomes low, the digital will scrolling display ADD RINSE AID to remind you to refill the dispenser.



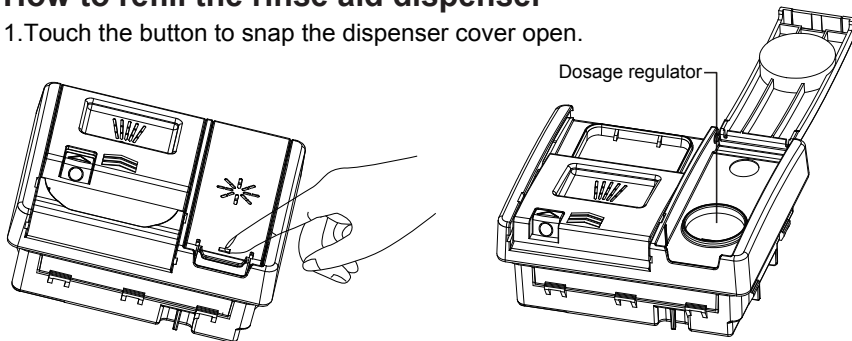
### Adjusting the rinse aid dosage

The normal, factory-set dosage level is 5, but you may need to adjust this to suit your water conditions.

- If there is excessive foaming at the end of the wash, reduce the dosage.
- If you live in a hard water area or if dishes are wet or streaky after drying, increase the dosage.
- To adjust the rinse aid setting:
- If you are using tablets with built-in rinse aid, we recommend setting the rinse aid dosage level to off (rA-).

### How to refill the rinse aid dispenser

1. Touch the button to snap the dispenser cover open.



2. Pour rinse aid into the circular opening, making sure not to fill beyond the MAX marking.

#### **IMPORTANT!**

**Take care not to spill rinse aid into the dishwasher. Any spills must be wiped up to prevent excess foaming. Failure to do so may result in a service call, which will not be covered by warranty.**

3. Close the cover, making sure it clicks shut.

4. Press and hold the START/PAUSE button for 3 sec after each refill to reset rinse aid indicator.

## **IMPORTANT!**

Never put highly absorbent materials, such as sponges and towels in your dishwasher. Do not put dishes or cutlery that have been soiled by tobacco ash, wax, lubricating grease or paint in your dishwasher.

## **Cutlery and silverware**

All cutlery and silverware should be rinsed immediately after use to prevent tarnishing caused by some foods. Silver items should not come into contact with stainless steel, e.g. other cutlery. Mixing these items can cause staining. Remove silver cutlery from the dishwasher and hand dry immediately after the programme has finished.

## **Aluminium**

Aluminium can be dulled by dishwasher detergent. The degree of change depends on the quality of the item.

## **Other metals**

Iron and cast iron objects can rust and stain other items. Copper, pewter and brass tend to stain. Wash these items by hand.

## **Woodware**

Wooden items are generally sensitive to heat and water. Regular use in the dishwasher may cause deterioration over time. If in doubt, wash by hand.

## **Glassware**

Most everyday glassware is dishwasher safe. Crystal, very fine and antique glassware may etch that is, become opaque. You may prefer to wash these items by hand.

## **Plastic**

Some plastic may change shape or colour with hot water. Check the manufacturer's instructions about washing plastic items. Washable plastic items should be weighted down so they do not flip over and fill with water or fall through the basket during the wash.

## **Decorated items**

Most modern china patterns are dishwasher safe. Antique items, those with a pattern painted over the glaze, gold rims or hand-painted china may be more sensitive to machine washing. If in doubt, wash by hand

## **Glued items**

Certain adhesives are softened or dissolved in machine washing. If in doubt, wash by hand.

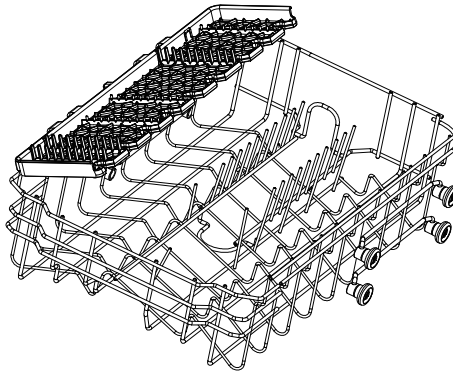
# Loading utensils

---

If the tableware or cookware rack is burnt, scorched, sticky, and other food which is very difficult to removed, it is advisable to soak it for a period of time before washing it or pre-dispose it with a dish cloth or else it will be hard to clean. Remove any large food particles before placing dishes in the dishwasher. It is not necessary to prerinse utensils under running water.

## Upper rack

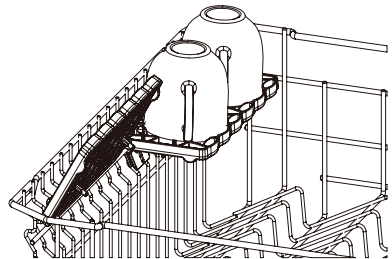
- The upper rack is designed to hold items like glasses, cups, saucers, plates and shallow pans.
- The upper rack may be adjusted to accommodate larger items. You can adjust the height of the upper basket to create more space for tall items in the lower basket.



- The upper rack may be adjusted to accommodate larger items. Place small items on the foldable cup holder.

### **IMPORTANT!**

Place sharp and pointed items with the blade pointing downward into the knife rack, to keep them out of harms way.

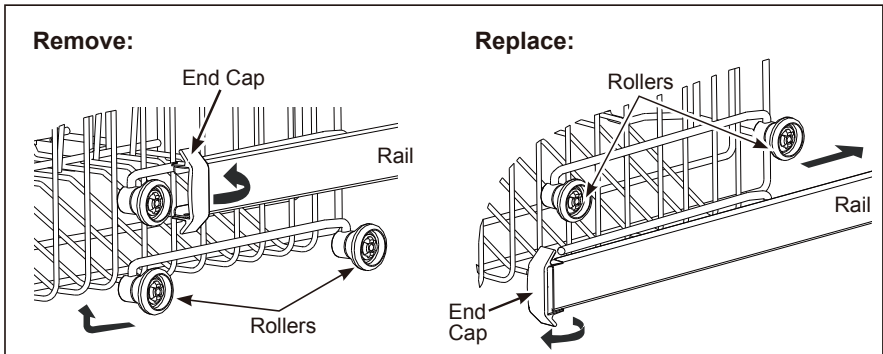




To adjust the upper rack:

## IMPORTANT!

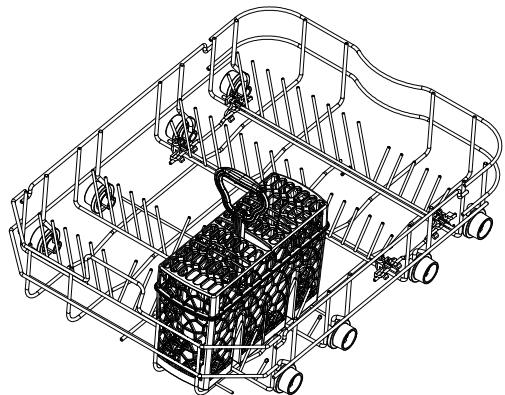
Before you adjust its height, make sure the basket is empty.



1. Fully extend the upper rack and rotate open the two plastic end caps on the front of the rails.
2. Remove the upper rack.
3. Select the set of rollers on the side of the rack that provides the desired height, and reinstall the upper rack by guiding the rack rails between the appropriate set of rollers.
4. With the rack reinstalled, rotate closed the two plastic end caps, ensuring the snap is properly engaged. Failure to properly engage the end caps may result in the rack falling from the dishwasher.

## Lower rack

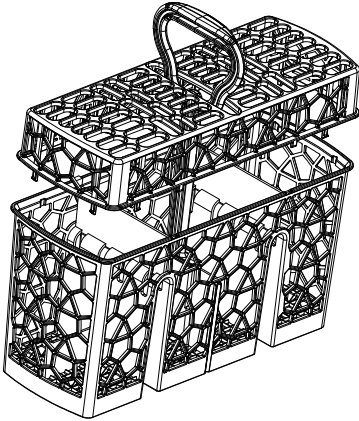
- Place the largest items here: pots, pans, lids, serving dishes and bowls.
- Fold down the tines to place pots and pans flat on the bottom.
- Ensure dishware items do not block the spray arm above from rotating.
- If you need more height for tall items, you can raise the upper basket. See instructions on previous pages.



## Loading utensils

---

### Cutlery basket



- ▶ Mix spoons with other cutlery to prevent them to bond together.
- ▶ Use the grid element in order to separate the cutlery.
- ▶ Place Cutlery with the handles down for better washing results.
- ▶ If long items may block the spray arms find a horizontal positioning in the upper basket.

### **⚠ CAUTION**

Put sharp and pointed items with the blade pointing downward to keep them out of harms way.

## IMPORTANT!

- Only use detergents recommended for automatic dishwashers.
- Dishwasher detergents are strongly alkaline. They can be extremely dangerous if swallowed. Avoid contact with the skin and eyes and keep children and infirm persons away from the dishwasher when it is open. Check that the detergent dispenser is empty after completion of each wash programme.
- Never sprinkle or pour detergent directly onto any item in the dishwasher. Detergent and dishwasher tablets should not be in direct contact with dishes or cutlery.
- Do not use hand washing liquids, soap, laundry detergents or disinfectants, as these will damage the dishwasher.

## Filling the detergent dispenser

1. Press the button on the right of the dispenser.

## IMPORTANT!

Approach the dispenser from the right-hand side to prevent the cover from snapping open on your hand.

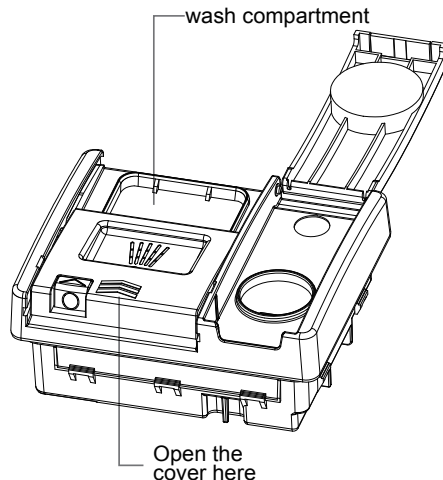
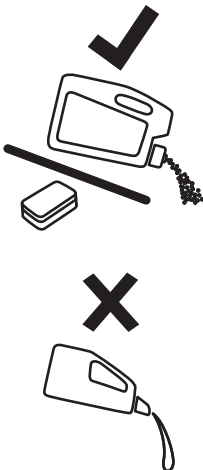
2. Add detergent into the appropriate compartment(s). The '20' and '30' markings in the main wash compartment correspond to grams of powdered detergent.

## IMPORTANT!

Tablets should only be placed in the main wash (larger) compartment.

3. Remove any excess detergent from the edges of the dispenser.

4. Close the cover and press down until it clicks shut. The detergent will automatically be released into the dishwasher during the wash programme.



## How to Adjust User Preference Settings for LED Models

During the selection of programmes, press and hold **P** for about 5 seconds to enter the user preference settings. User preference settings include Water Softener setting, Buzzer setting, Rinse Aid setting and Memo Mode setting.

1. The appliance is switched on.

2. Press and hold the **P** for 5S to enter the user setting mode, and all LEDs will flash for 1s and then turn off. If you want to adjust the water softener, press **P** to scroll the setting between S1 and S6 (the default is S4) as the table below:

P1	P2	P3	P4	Zoom	Sx level
0	0	0	0	0	S1
1	0	0	0	0	S2
1	1	0	0	0	S3
1	1	1	0	0	S4 default
1	1	1	1	0	S5
1	1	1	1	1	S6

► If you want to activate/de-activate the buzzer, Press **Exp** to toggle Buzzer On (LED on) or Buzzer OFF (LED off).

► If you want to change the Rinse Aid setting, press **⌚** to change the setting in steps between R1 ( minimum dispense) and R4 ( maximum dispense).

The LED displays as follows:

3h	6h	9h	Rx level
0	0	0	R1 Empty
1	0	0	R2 3ml
1	1	0	R3 5ml default
1	1	1	R4 6ml

► If you want to Turn On/Turn Off the Memo Mode, press **\*!S** as follows:

6h Status Indicators	Memo mold
0	OFF default
1	ON

3. Press and hold the **⏻** for 3S to save the setting and exit the setting mode.

### How to Adjust User Preference Settings for DIGIT Models

During the selection of programmes, press and hold the program selection key **P** for 5S to enter the user setting mode. User setting mode includes Language setting, Water Softener setting, Buzzer setting, Rinse Aid setting and Memo Mode setting.

1. The appliance is switched on.

2. Press the program selection key **P** to enter the Language setting menu, and the display will show the current language. Press **←** to move backward and **\*IS** to move forward between the 25 languages. Press the program selection key **P** again to save the current selection language and enter the Water Softener setting menu. Or press the power key **⓪** for 3S to save the settings and enter the program selection state.

3. The current water hardness level will be displayed after the display shows SOFTENER 5S. The default level is S4. The level setting is from S1 to S6. Press the additional function key **←** to set the level backward: S3-S2-S1-S2-S3-S4-S5-S6. Press the Salt / Rinse reset key **\*IS** to set the level forward: S4-S5-S6-S1-S2-S3-S4. Press the program selection key **P** to save the current level and enter the Buzzer setting. Or press and hold the power key **⓪** for 3S to save the settings and enter the program selection state.

4. The display shows BUZZER, and displays NO after 5S. The default is NO. Press the Salt / Rinse reset key **\*IS** to set to NO. Press the program selection key **P** to save the current level and enter the Rinse Aid setting. Or press and hold the power key **⓪** for 3S to save the settings and enter the program selection status.




5. The display shows the current level of Rinse Aid after 5 seconds. The level setting is from R1-R4, and the default is R3. Press the additional function key **←** to set the level backward: R3-R2-R1-R2-R3-R4. Press the Salt / Rinse reset key **\*IS** to set the level forward: R3-R4-R1-R2-R3-R4. Press the program selection key **P** to save the current level and enter the Memo setting. Or press and hold the power key **⓪** for 3S to save the settings and enter the program selection state.

6. The digital tube will scroll to display the MEMO FUNCTION, and displays NO after 5S. Press the Salt / Rinse reset key **\*IS** to switch between YES and NO. Press the program selection key **P** to save the current level and enter the Language setting. Press and hold the power key **⓪** for 3S to save the settings and enter the program selection state.

# Daily Use

---

## Start a Programme

1. Open the door and Press the ON/OFF button  to turn the dishwasher on.  
\*The display will show the wash programme time.
2. Press  to select the program you want on the dishwasher control panel.
3. Press  to start the programme and close the door.

### **▲ NOTICE**

If the MEMO MODE YES. The appliance remembers the last programme you used. The next time the appliance will switch on, the appliance pre-selects the programme last used.


## Pause and restart a wash programme

1. Open the door carefully to pause the programme. The time remaining will flash and the pause beep will sound while the dishwasher is paused.

### **▲ NOTICE**



- There is a risk of being sprayed with hot water, do not fully open the door until the spray arms have stopped rotating.
2. Load, remove, or rearrange any dishes if needed.
  3. Close the door to restart the programme.

## Cancel or change a wash programme


Open the door carefully to pause the programme. Press and hold  3 sec, Washing program reset. And then you can choose a new wash programme to start.

## Start a Programme with Delay


Set a start time by the following procedure in order to delay a programme start:

1. Set a programme.
2. Press and hold the reservation button  until the display flashes the required delay time (from 1 to 24 hours).  
\*The LED shows delay time is 3h, 6h, 9h.
3. Press the START/PAUSE button  and close the door.  
▶ The display shows the countdown of the start delay. The countdown decreases with steps of 1 hour.  
▶ When the countdown is completed, the programme starts.

### Cancel a Delayed Start

When the current reservation time is displayed for 24h, or other time. Press the reservation  button again to cancel the reservation.

### Cancel Start Delay / Programme


1. Press the **P** or  for about 3 second.  
The start delay is cancelled.  
The programme is aborted.  
The appliance is switched off.
2. Start a new programme and a delayed start if desired.

#### **⚠ CAUTION**

If a programme will be aborted in the process of washing dishes, the residue of detergent remains on the dishes. These can cause damage to health! Make sure to rinse off the detergent residues completely before using these dishes again.

### End of Programme

When the programme is completed, the display shows END OF CYCLE and an acoustic signal is heard (if it is not switched off). The display switches off.

1. Press  to switch off the appliance or the appliance switches into standby mode automatically after 1 minutes.
2. Open the door.

#### **⚠ CAUTION**

If the door will be opened immediately after the end of programme, hot steam can escape. Danger of scalding! Open the door carefully!

3. Remove dishes:
  - ▶ Open the door slightly and leave it ajar (about 100 mm) to help the drying process.
  - ▶ Let the dishes become cold before removing them from the appliance. Hot dishes damage more easily.
  - ▶ First remove the items from the lower basket, then from the upper basket.

## Care and cleaning

---

Over time, food residue or limescale deposits may accumulate inside your dishwasher. These may reduce efficiency, and food residue may produce a bad odour. Inspect and clean your dishwasher regularly.

### **IMPORTANT !**

- Before any cleaning or maintenance, always disconnect the dishwasher from the power supply, turn off the water supply, and wait until all parts of the dishwasher have cooled.
- Do not use the following cleaning aids, as they may damage the surfaces:
  - plastic or stainless steel scouring pads
  - abrasive, solvent, household cleaners
  - acid or alkaline cleaners
  - laundry detergents or disinfectants
  - stainless steel cleaners or polishes
  - hand-washing liquids or soap
- Where there is broken crockery or glass in the dishwasher, it must be carefully removed to prevent personal injury or damage to the appliance.
- After cleaning, always check that the spray arms and filters are all correctly in place.

### **Cleaning the dishwasher exterior**

- To clean exterior surfaces of the dishwasher, wipe with a clean, soft damp cloth and dry with a clean, lint-free cloth.
  - For non-flush surfaces wipe along or around the surface. For example, to wipe down the exterior control buttons, use a circular wiping motion around the button.
  - Take care not to cause excessive wetting of the control panel area.
- Note: before cleaning the control panel, it is useful to disable the buttons by activating Keylock.

### **Cleaning the door seal and dishwasher interior**

Clean thoroughly with warm water on a soft, lint-free cloth. If the interior is heavily soiled, use a dishwasher cleaner/descaler following the manufacturer's instructions.

### **Cleaning the filters**

The filters prevent larger food particles in the wash water from reaching the pump. These particles may occasionally block the filters. We recommend cleaning the filters whenever there is evidence of food particles.

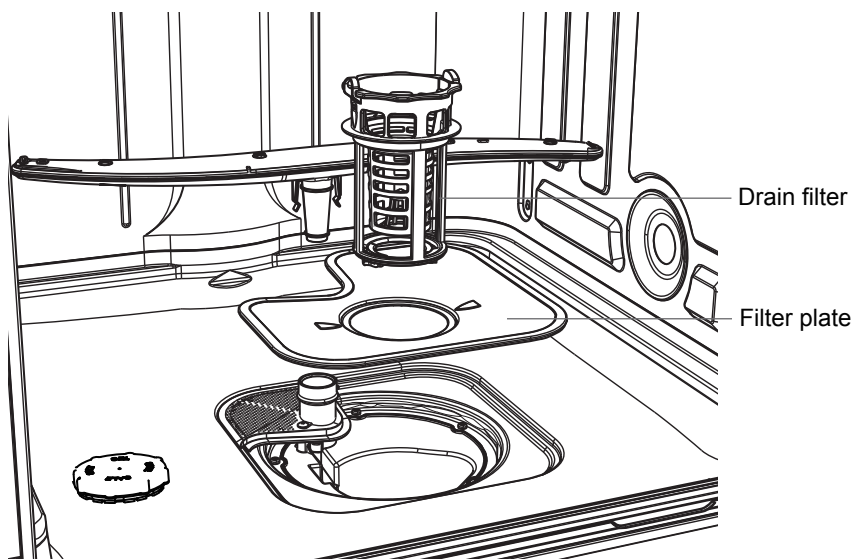


- To remove the drain filter, turn the filter anti-clockwise to release, then lift out.
- Once the drain filter has been removed you can lift the filter plate out.
- Rinse them thoroughly under running water and then replace.

Replace the filters correctly after cleaning, making sure the filter plate is flush with the dishwasher base.

### **IMPORTANT !**

When cleaning the underside of the filter plate, take care handling its sharp outer edge.



### **Cleaning the spray arms**

Limescale and food particles in the wash water can block the holes in the spray arms and the arm mountings. Clean these parts about once a month, or more often should the need arise.

### **Cleaning the upper spray arm/head**

Do not remove the upper spray arm for cleaning. Clean with a small plastic-bristled brush, or if heavily soiled or blocked use a dishwasher cleaner/descaler following the manufacturer's instructions.

## Care and cleaning

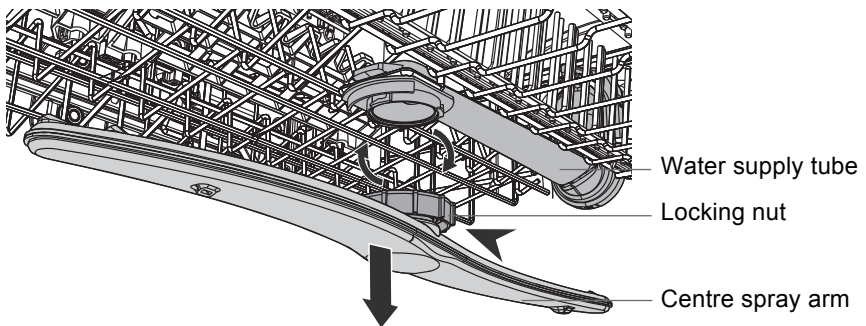
---

### Cleaning the centre spray arm

- To remove the centre spray arm, carefully unscrew its locking nut.
- Rinse the spray arm thoroughly under running water, then refit.

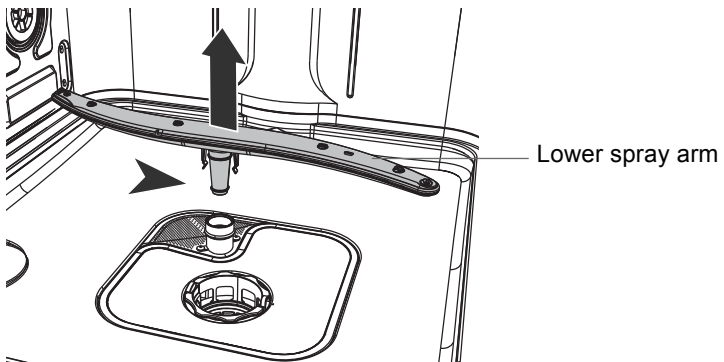
#### **IMPORTANT !**

Make sure you twist the locking nut on the centre spray arm firmly back on the water supply tube. Check that the centre spray arm is firmly locked in place and rotates freely.



### Cleaning the lower spray arm

- To remove the lower spray arm, simply lift the spray arm off its mounting.
- Rinse the spray arm thoroughly under running water, then refit it on its mounting.



Many occurring problems could be solved by yourself without specific expertise. In case of a problem please check all shown possibilities and follow below instructions before you contact an after sales service.

## **⚠ CAUTION**

- Before maintenance, deactivate the appliance and disconnect the mains plug from the mains socket.
- Electrical equipment should be serviced only by qualified electrical experts, because improper repairs can cause considerable consequential damages.

### **The appliance does not start, or it stops during operation or Indicator is lighted**

<b>Problem</b>	<b>Possible cause</b>	<b>Possible solution</b>
The programme does not start.	Appliance door is open.	Close the appliance door.
	Delay start is set.	Refer to displayed time.
	Mains plug is not connected in the mains socket.	Connect the mains plug.
	Fuse in the house circuit is damaged.	Replace the fuse.
Rinse Aid Indicator is lighted.	Rinse aid dispenser is empty.	Refill Rinse aid until full.
	Refill of rinse aid was not confirmed.	Press * Ⓢ button for 3 sec after each refill.
Salt Aid Indicator is lighted.	Softener salt is empty.	Fill the tank up with specific salt until full.
	Refill of salt was not confirmed.	Press * Ⓢ button for 3 sec after each refill.

# Troubleshooting

## Error codes on the display

Problem	Possible cause	Possible solution
Acoustic alarm, display shows ALARMCODE A10 The appliance does not fill with water.	Water tap is closed.	Open the water tap. Note: Whenever Error is solved switch off the appliance and restart the programm.
	Water inlet hose has a kink or a bend.	Make sure that the position of the hose is correct.
	In case of aqua-stop system: water protection is triggered; the marker (C) is red.	The hose must be replaced.
	Filter in the water inlet hose is clogged.	Clean the filter at the inlet hose connections at tap and the rear of the appliance.
	Water inlet is clogged.	Check water flow from tap.
	Water pressure is too low.	Contact your local water authority.
Acoustic alarm, display shows ALARMCODE A20 The appliance does	Filters are clogged.	<ul style="list-style-type: none"> <li>• Scoop out as much water as possible.</li> <li>• Clean filters.</li> <li>• Continue programme by pressing the START/PAUSE button.</li> </ul>
	The drainage is blocked.	<ul style="list-style-type: none"> <li>• Scoop out as much water as possible.</li> <li>• Make sure that drain water connection and piping is correct and not blocked.</li> <li>• Continue programme by pressing the START/PAUSE button.</li> </ul>
Acoustic alarm, display shows ALARMCODE F30 Leak: The drain pump runs permanently!	Anti-flood device is on: <ul style="list-style-type: none"> <li>• There are water leakages in the appliance.</li> <li>• The water inlet valve is open and blocked.</li> <li>• The drainage is blocked.</li> </ul>	<ol style="list-style-type: none"> <li>1.Close the water tap.</li> <li>2.Disconnect appliance from power supply.</li> <li>3.Contact Service.</li> </ol>

All other Alarmcodes:

1. Note Alarmcode
2. Contact Service ; refer to CUSTOMER SERVICE

## Washing Results are not satisfactory

Problem	Possible cause	Possible solution
The dishes are not clean.	Filters are clogged.	Clean the filters.
	Filters are not correctly assembled and installed.	Make sure that the filters are correctly assembled and installed.
	Spray arms are clogged.	Remove remaining food remnants with a thin pointed object.
	Programme was not applicable for the type of load and food remnants.	Make sure that the programme is applicable for the type of load and food remnants.
	Incorrect position of the items in the baskets. Water could not wash all items.	Make sure that the position of the items in the baskets is correct and that the water can easily wash all items.
	Spray arms could not turn freely.	Make sure that the position of the items in the baskets is correct and does not cause the blockage of the spray arms.
	No detergent or insufficient quantity of detergent in the detergent dispenser.	Make sure that you add the correct quantity detergent in the dispenser before you start a programme.
	The wash cycle was interrupted by a long break.	Do not open the door or cut power supply during the wash cycle.
Whitish streaks, stains or bluish layers on glasses and dishes.	Released quantity of rinse aid is too much.	Decrease the released quantity of rinse aid.
	Quantity of detergent was too much.	Make sure that you add the correct quantity of detergent in the dispenser before you start a programme.
	Multitab detergent tablets used with a short programme might not fully dissolve.	Select a longer programme when using Multitab detergent tablets.

# Troubleshooting

---

Problem	Possible cause	Possible solution
Dry water drop stains on glasses and dishes.	Rinse aid dosage is too low.	Increase the released quantity of rinse aid.
	Quality of rinse aid or Multitab.stains on glasses	Cleaning product too old; change the product.
The dishes are wet.	<ul style="list-style-type: none"> <li>• Programme had no drying phase.</li> <li>• Programme had a low temperature drying phase.</li> </ul>	Open the door slightly and leave it ajar (about 100 mm) to help the drying process.
The dishes are wet and matte.	Rinse aid dispenser is empty.	Refill rinse aid into the dispenser and reset the rinse aid indicator.
	Quality of rinse aid or Multitab.	Cleaning product too old; change the product.

# Technical Data

Product fiche (according EU 1059/2010)

Suppliers name or trade mark	Candy			
Supplier's model identifier	CDPH 1L952W	CDPH 1L952X	CDPH 1L949W	CDPH 1L949X
Rated capacity in standard -place settings	9	9	9	9
Energy efficiency class 1)	A+	A+	A+	A+
Annual energy consumption (AEc) in kWh/year 2)	222	222	222	222
Energy consumption (Et) of the standard cleaning cycle in kWh	0.74	0.74	0.74	0.74
Power consumption (Po) in off-mode in W	0.3	0.3	0.3	0.3
Annual water consumption (AWc) in liter/year 3)	2520	2520	2520	2520
Drying efficiency class 4)	A	A	A	A
Standard programme (standard cleaning cycle) 5)	ECO	ECO	ECO	ECO
Programme time for the standard cleaning cycle in minutes	298	298	298	298
Duration of the left-on mode (TI) in minutes	1	1	1	1
Airborne acoustical noise emissions in dB(A) re 1pW	52	52	49	49
Mounting / optional mounting	Freestanding			
Mains water pressure	0.04-1 MPa (= 0.4-1 0 bar)			
Power voltage	230V/50Hz			
Maximum current intensity	9	9	9	9
Total absorbed power	1930 W	1930 W	1930 W	1930 W
Colour	white	Silver	white	Silver

- 1) A+++ (highest efficiency) to D (lowest efficiency).
- 2) Energy consumption is based on the standard cleaning cycle (280 per year) using cold water fill and the consumption of the lower modes. Actual energy consumption will depend on how the appliance is used.
- 3) Water consumption in litres per year, based on 280 standard cleaning cycles. Actual water consumption will depend on how the appliance is used.
- 4) A (highest efficiency) to G (lowest efficiency).
- 5) This programme is suitable to clean normally dirtied tableware and it is the most efficient programme in terms of its combined energy and water consumption for that type of tableware.

# Technical Data

Product fiche (according EU 1059/2010)

Suppliers name or trade mark	Candy			
Supplier's model identifier	CDPH 2L949W	CDPH 2L949X	CDPH 2L1049W	CDPH 2L1047X
Rated capacity in standard -place settings	9	9	10	10
Energy efficiency class 1)	A++	A++	A++	A++
Annual energy consumption (AEC) in kWh/year 2)	197	197	211	211
Energy consumption (Et) of the standard cleaning cycle in kWh	0.69	0.69	0.74	0.74
Power consumption (Po) in off-mode in W	0.3	0.3	0.3	0.3
Annual water consumption (AWc) in liter/year 3)	2520	2520	2520	2520
Drying efficiency class 4)	A	A	A	A
Standard programme (standard cleaning cycle) 5)	ECO	ECO	ECO	ECO
Programme time for the standard cleaning cycle in minutes	298	298	298	298
Duration of the left-on mode (TI) in minutes	1	1	1	1
Airborne acoustical noise emissions in dB(A) re 1pW	49	49	49	47
Mounting / optional mounting	Freestanding			
Mains water pressure	0.04-1 MPa (= 0.4-1 0 bar)			
Power voltage	230V/50Hz			
Maximum current intensity	9	9	10	10
Total absorbed power	1930 W	1930 W	1930 W	1930 W
Colour	white	Silver	white	Silver

- 1) A+++ (highest efficiency) to D (lowest efficiency).
- 2) Energy consumption is based on the standard cleaning cycle (280 per year) using cold water fill and the consumption of the lower modes. Actual energy consumption will depend on how the appliance is used.
- 3) Water consumption in litres per year, based on 280 standard cleaning cycles. Actual water consumption will depend on how the appliance is used.
- 4) A (highest efficiency) to G (lowest efficiency).
- 5) This programme is suitable to clean normally dirtied tableware and it is the most efficient programme in terms of its combined energy and water consumption for that type of tableware.



# Technical Data

Product fiche (according EU 1059/2010)

Suppliers name or trade mark	Candy		
Supplier's model identifier	CDPH 2D947W	CDPH 2D947X	
Rated capacity in standard -place settings	9	9	
Energy efficiency class 1)	A++	A++	
Annual energy consumption (AEc) in kWh/year 2)	197	197	
Energy consumption (Et) of the standard cleaning cycle in kWh	0.69	0.69	
Power consumption (Po) in off-mode in W	0.3	0.3	
Annual water consumption (AWc) in liter/year 3)	2520	2520	
Drying efficiency class 4)	A	A	
Standard programme (standard cleaning cycle) 5)	ECO	ECO	
Programme time for the standard cleaning cycle in minutes	298	298	
Duration of the left-on mode (TI) in minutes	1	1	
Airborne acoustical noise emissions in dB(A) re 1pW	47	47	
Mounting / optional mounting	Freestanding		
Mains water pressure	0.04-1 MPa (=0.4-10bar)		
Power voltage	230V/50Hz		
Maximum current intensity	9	9	
Total absorbed power	1930 W	1930 W	
Colour	white	Silver	

- 1) A+++ (highest efficiency) to D (lowest efficiency).
- 2) Energy consumption is based on the standard cleaning cycle (280 per year) using cold water fill and the consumption of the lower modes. Actual energy consumption will depend on how the appliance is used.
- 3) Water consumption in litres per year, based on 280 standard cleaning cycles. Actual water consumption will depend on how the appliance is used.
- 4) A (highest efficiency) to G (lowest efficiency).
- 5) This programme is suitable to clean normally dirtied tableware and it is the most efficient programme in terms of its combined energy and water consumption for that type of tableware.





