

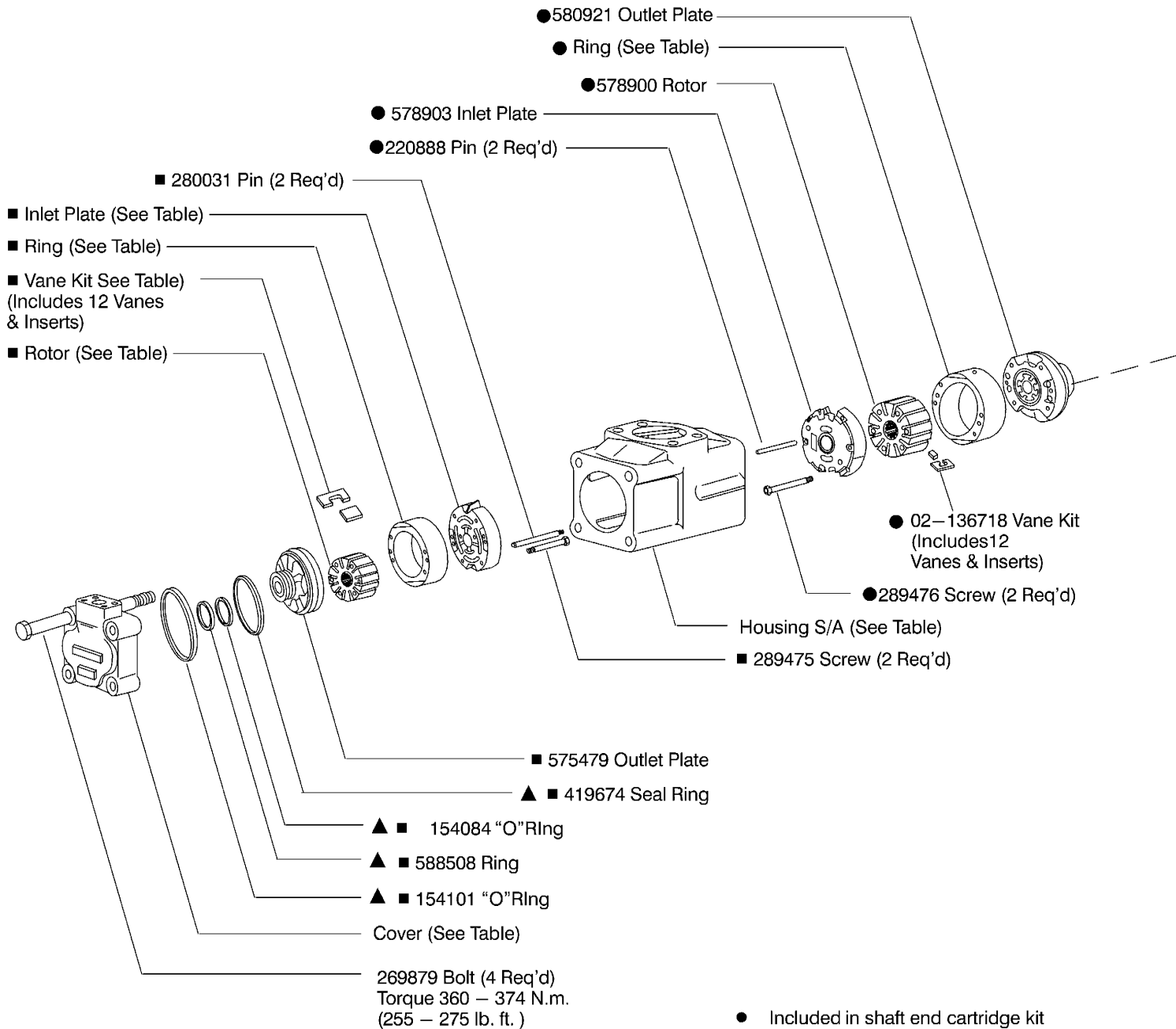
EATON

Vickers

Vane Type Double Pump

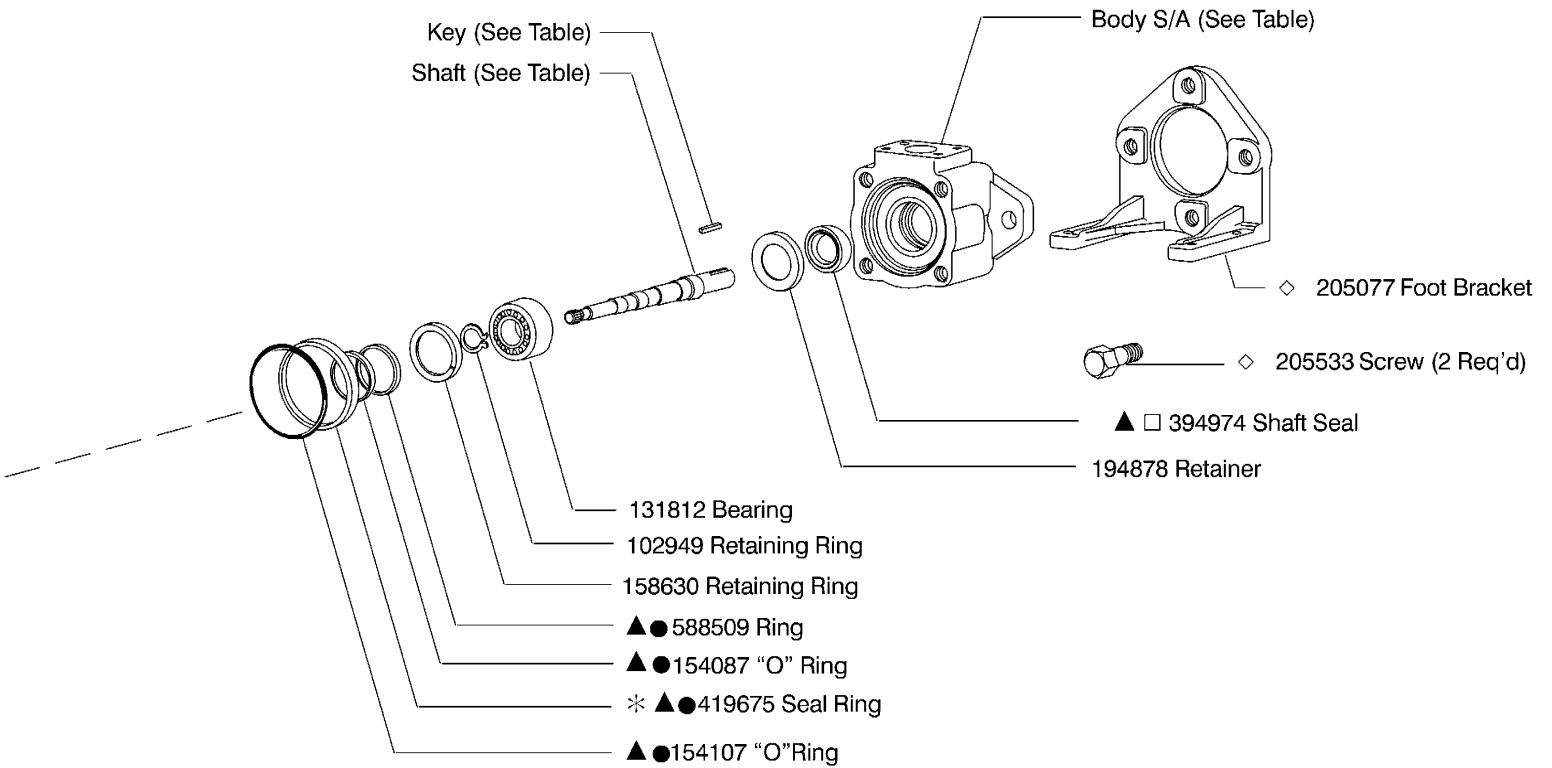
(F3)-4535V(M)-**A(M)**(F)-**-22-*

MODEL	■ ROTOR	■ VANE KIT	■ RING	■ INLET PLATE	Cover End ■ CART. KIT	Cover End ■ F3 CART. KIT
4535V***25	575478	02-136717	576210	575480	02-102556	02-102564
4535V***30			576212		02-102557	02-102565
4535V***35			576214		02-102558	02-102566
4535V***38			575476		02-102559	02-102567



- Included in shaft end cartridge kit
- Included in cover end cartridge kit
- ▲ Included in seal kit 922866
F3 equivalent seal kit 919346
- ◇ Included in foot bracket kit FB-C-10
- Assemble seal with spring loaded sealing member towards bearing. Seals to be completely wetted with oil prior to assembly.
- * Install 419675 sealing ring into body, then install cartridge kit.

MODEL	● RING	Shaft End	
		● CART KIT	● F3 CART KIT
4535V42	581679	02-102572	02-102576
4535V50	581680	02-102574	02-102577
4535V60	578904	02-102575	02-102578

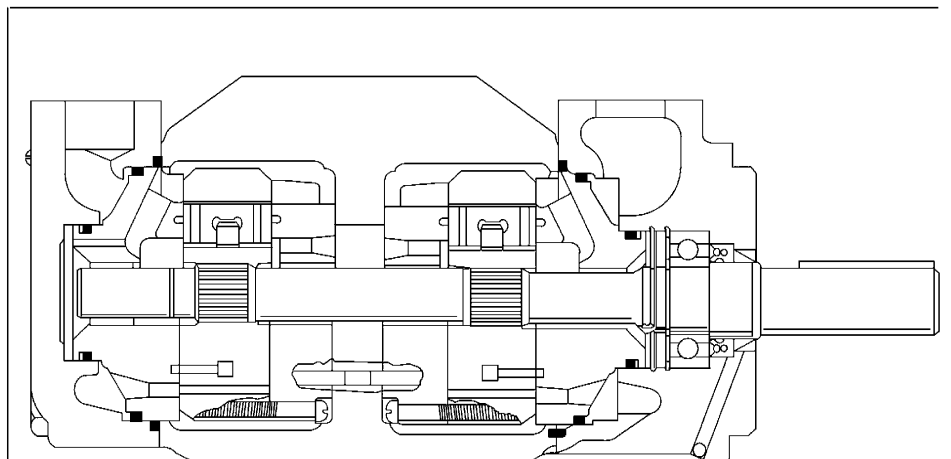


MODEL	COVER	HOUSING S/A	BODY S/A
4535V**A	270679	379585	942356
4535VM**A	270679		02-136925
4535VM**AM	478512	875811	02-136926

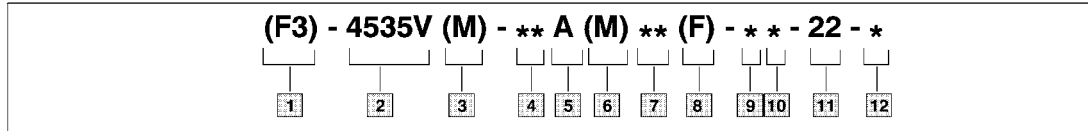
SHAFT	TYPE	KEY
289083	(1) keyed	217596
289084	(1) splined	—
361763	(86) keyed	239751
850615	(192N) keyed	472303

NOTE

For satisfactory service life of these components in industrial applications, use full flow filtration to provide fluid which meets ISO cleanliness code 16/13 or cleaner. OFP, OFR, and OFRS series filters are recommended.



Model Code



1 Special seals

2 Series designation

Displacements cm^3/r (in^3/r)

Model	Shaft end	Cover end
4535V	138 – 193 (8.41–11.75)	81 – 121 (4.94 – 7.37)

3 Pilot designation

M – Metric per ISO 3019/2 100A2HW
Omit – Standard pilot

4 Geometric displacement

Shaft end pump

(Rated capacity (USgpm) at 1200 rpm, 6.9 bar (100 psi))

Frame size	Code	cm^3/r	in^3/r
4535V	42	138	8.41
	50	162	9.85
	60	193	11.75

5 Port connections

A – SAE 4 bolt flange

6 Port connection modifier

M – Metric port connection (4 bolt flange)
Omit – Inch thread port connection (4 bolt flange)

7 Geometric displacement

Cover end pump
(Rated capacity (USgpm) at 1200 rpm, 6.9 bar (100 psi))

Frame size	Code	cm^3/r	in^3/r
4535V	25	81	4.94
	30	97	5.91
	35	112	6.83
	38	121	7.37

8 Mounting

F – Foot mounting
Omit – Flange mounting

9 Shaft

1 – Straight keyed
11 – Splined
86 – Heavy duty straight keyed
192N – Straight keyed (M pilot only)

10 Port orientation

(Viewed from cover end of pump)

With no. 1 outlet opposite inlet
AA – No. 2 outlet opposite inlet
AB – No. 2 outlet 90° CCW from inlet
AC – No. 2 outlet inline with inlet
AD – No. 2 outlet 90° CW from inlet

With no. 1 outlet 90° CCW from inlet
BA – No. 2 outlet opposite inlet
BB – No. 2 outlet 90° CCW from inlet
BC – No. 2 outlet inline with inlet
BD – No. 2 outlet 90° CW from inlet

With no. 1 outlet inline with inlet
CA – No. 2 outlet opposite inlet
CB – No. 2 outlet 90° CCW from inlet
CC – No. 2 outlet inline with inlet
CD – No. 2 outlet 90° CW from inlet

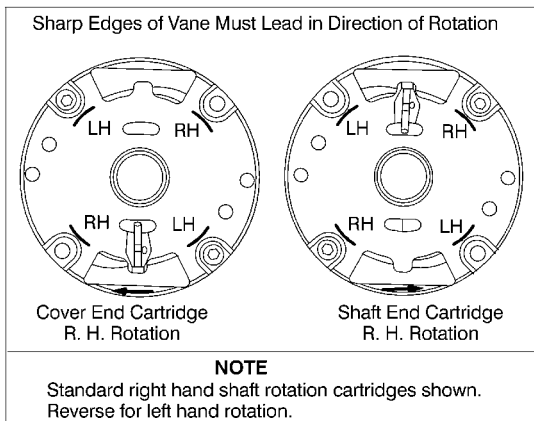
With no. 1 outlet 90° CW from inlet
DA – No. 2 outlet opposite inlet
DB – No. 2 outlet 90° CCW from inlet
DC – No. 2 outlet inline with inlet
DD – No. 2 outlet 90° CW from inlet

11 Design

12 Rotation

(Viewed from shaft end of pump)

L – Left hand for counterclockwise
R – Right hand for clockwise



NOTE

To reverse cartridge kit rotation, remove the two screws and reverse the location of the inlet support plate and the outlet support plate. Reinstall the two screws hand tight. Use pump cover to align all sections of the cartridge. Carefully remove the cover and tighten the screws.

When ordering spare cartridge parts, it is recommended they be obtained in cartridge kits. Kits are assembled and tested for either right or left hand rotation. If left hand rotation is required, it should be specified on parts order by adding suffix "L" to cartridge kit number.

Eaton
14615 Lone Oak Road
Eden Prairie, MN 55344
USA
Tel: 952 937-9800
Fax: 952 974-7722
www.hydraulics.eaton.com

Eaton
20 Rosamond Road
Footscray
Victoria 3011
Australia
Tel: (61) 3 9319 8222
Fax: (61) 3 9318 5714

Eaton
46 New Lane, Havant
Hampshire PO9 2NB
England
Tel: (44) 23 92 486 451
Fax: (44) 23 92 487 110

