

**FEATURES**

**Bandwidth: 3.5 GHz**  
**Input noise current density: 8 pA/√Hz**  
**Optical sensitivity**  
 –22.0 dBm<sup>1</sup>  
 –20.4 dBm<sup>2</sup>  
**Differential transimpedance: 3700 V/A**  
**Power dissipation: 80 mW**  
**Differential output swing: 260 mV p-p**  
**Input overload current: 5.6 mA p-p**  
**On-chip RSSI function**  
**Low frequency cutoff: 12 kHz**  
**On-chip PD filter: R<sub>F</sub> = 200 Ω, C<sub>F</sub> = 20 pF**  
**Die size: 0.7 mm × 1.2 mm**

**APPLICATIONS**

**4.25 Gbps optical receivers**  
**GbE/FC optical receivers**  
**SFF-8472-compliant receivers**  
**PIN/APD-TIA receiver optical subassemblies**

**GENERAL DESCRIPTION**

The **ADN2882** is a 3.3 V high gain SiGe transimpedance amplifier (TIA) which converts the small signal current of a photo detector to a large differential voltage output. The **ADN2882** features a typical 475 nA input-referred noise, enabling an optical sensitivity of –22 dBm (0.85 A/W PIN). With a bandwidth of 3.5 GHz, the **ADN2882** allows a data rate operation up to 4.25 Gbps. Typical power dissipation is 80 mW.

To facilitate the assembly in small form factor packages, such as TO-46 headers, the **ADN2882** provides an on-chip RC filter (200 Ω, 20 pF) and features a 12 kHz low frequency cutoff without using an external capacitor. An on-chip RSSI circuit, which generates a voltage proportional to the average photodiode current, is available for power monitoring and assembly alignment.

The **ADN2882** is available in die form. With a chip area of 1.2 mm × 0.7 mm, the TIA layout is optimized for TO-Can-based packages.

<sup>1</sup> Based on 1550 nm PIN, C<sub>D</sub> = 0.5 ± 0.10 pF, responsivity = 0.85 A/W, ER = 9 dB, PRBS 2<sup>31</sup> – 1 at 4.25 Gbps, BER < 10<sup>-12</sup>.

<sup>2</sup> Calculated result based on an 850 nm PIN, C<sub>D</sub> = 0.5 ± 0.15 pF, responsivity = 0.48 A/W, ER = 9 dB, at 4.25 Gbps, BER < 10<sup>-12</sup>.

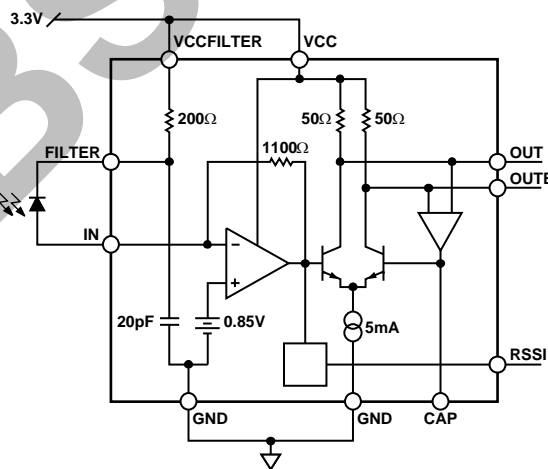
**FUNCTIONAL BLOCK DIAGRAM**


Figure 1.

Rev. A

[Document Feedback](#)

Information furnished by Analog Devices is believed to be accurate and reliable. However, no responsibility is assumed by Analog Devices for its use, nor for any infringements of patents or other rights of third parties that may result from its use. Specifications subject to change without notice. No license is granted by implication or otherwise under any patent or patent rights of Analog Devices. Trademarks and registered trademarks are the property of their respective owners.

One Technology Way, P.O. Box 9106, Norwood, MA 02062-9106, U.S.A.  
 Tel: 781.329.4700 ©2005–2014 Analog Devices, Inc. All rights reserved.  
[Technical Support](#) [www.analog.com](http://www.analog.com)

**TABLE OF CONTENTS**

Features .....	1	Pin Layout and Function Descriptions.....	5
Applications.....	1	Typical Performance Characteristics .....	6
General Description .....	1	5-Pin TO-46 Assembly Recommendations .....	9
Functional Block Diagram .....	1	4-Pin TO-46 Assembly Recommendations .....	11
Revision History .....	2	Outline Dimensions .....	12
Specifications.....	3	Die Information.....	12
Absolute Maximum Ratings.....	4	Ordering Guide .....	12
ESD Caution.....	4		

**REVISION HISTORY**

**9/14—Rev. 0 to Rev. A**

Changes to Figure 19.....	9
Changes to Figure 22.....	10
Changes to Ordering Guide.....	12

**6/05—Revision 0: Initial Version**

OBSOLETE

## SPECIFICATIONS

Minimum/maximum VCC = 3.3 V  $\pm$  0.3 V, T<sub>AMBIENT</sub> = -40°C to +95°C; typical VCC = 3.3 V, T<sub>AMBIENT</sub> = 25°C, unless otherwise noted.

Table 1.

Parameter	Conditions	Min	Typ	Max	Unit
<b>DYNAMIC PERFORMANCE</b>					
Bandwidth (BW) <sup>1</sup>	-3 dB	2.9	3.5		GHz
Total Input Referred RMS Noise (I <sub>RMS</sub> )	C <sub>D</sub> = 0.5 pF, 4.0 GHz low-pass filter		475	605	nA
Small Signal Transimpedance (Z <sub>T</sub> ) <sup>1</sup>	100 MHz, differential	2800	3700	4800	V/A
	100 MHz, single-ended	1400	1850	2400	V/A
Low Frequency Cutoff	I <sub>IN</sub> = 20 $\mu$ A, CAP open		12		kHz
	I <sub>IN</sub> = 500 $\mu$ A, CAP open		84		kHz
Output Return Loss	DC to 4.0 GHz, differential		-25		dB
Input Overload Current	ER = 10 dB	3.5	5.6		mA p-p
Maximum Differential Output Swing	I <sub>IN, P-P</sub> = 2.0 mA	170	260	375	mV p-p
Output Data Transition Time	I <sub>IN, P-P</sub> = 1.0 mA; 20% to 80% rise/fall time		46		ps
PSRR	I <sub>IN</sub> = 0 mA, 1 MHz < frequency < 10 MHz		40		dB
Group Delay Variation	1.0 GHz to 4.0 GHz		$\pm$ 12		ps
Transimpedance Ripple	50 MHz to 1.0 GHz, single-ended		0.5		dB
Deterministic Jitter	10 $\mu$ A < I <sub>IN, P-P</sub> $\leq$ 100 $\mu$ A, K28.5 @ 4.25 Gbps		8		ps p-p
	100 $\mu$ A < I <sub>IN, P-P</sub> $\leq$ 1.0 mA, K28.5 @ 4.25 Gbps		15		ps p-p
Linear Output Range	Differential output, <1 dB compression		190		mV p-p
Linear Input Current Range	Single-ended input, <1 dB compression		45		$\mu$ A p-p
<b>DC PERFORMANCE</b>					
Power Dissipation	I <sub>IN, AVE</sub> = 0		80	110	mW
Input Voltage	Compliance voltage		0.85		V
Output Common-Mode Voltage	DC (50 $\Omega$ ) terminated to VCC		VCC - 0.12		V
Output Impedance	Single-ended		50		$\Omega$
PD Filter Resistance	R <sub>F</sub>		200		$\Omega$
PD Filter Capacitance	C <sub>F</sub>		20		pF
RSSI Gain	I <sub>IN, AVE</sub> = 5 $\mu$ A to 1 mA		0.83		V/mA
RSSI Offset	I <sub>IN, AVE</sub> = 10 $\mu$ A		4.6		mV
RSSI Accuracy	5 $\mu$ A < I <sub>IN, P-P</sub> $\leq$ 20 $\mu$ A		$\pm$ 9		%
	20 $\mu$ A < I <sub>IN, P-P</sub> $\leq$ 1 mA		$\pm$ 3		%

<sup>1</sup> A signal current equivalent to I<sub>IN, P-P</sub> = 10  $\mu$ A is applied to the TIA input. No input capacitor is applied.

## ABSOLUTE MAXIMUM RATINGS

Table 2.

Parameter	Rating
Supply Voltage (VCC to GND)	5 V
Maximum Voltage to All Input and Output Signal Pins	VCC + 0.4 V
Minimum Voltage to All Input and Output Signal Pins	GND – 0.4 V
Maximum Input Current	10 mA
Storage Temperature Range	–65°C to +125°C
Operating Ambient Temperature Range	–40°C to +95°C
Maximum Junction Temperature	125°C
Die Attach Temperature (<30 sec)	410°C

Stresses above those listed under Absolute Maximum Ratings may cause permanent damage to the device. This is a stress rating only; functional operation of the device at these or any other conditions above those indicated in the operational section of this specification is not implied. Exposure to absolute maximum rating conditions for extended periods may affect device reliability.

### ESD CAUTION



**ESD (electrostatic discharge) sensitive device.** Charged devices and circuit boards can discharge without detection. Although this product features patented or proprietary protection circuitry, damage may occur on devices subjected to high energy ESD. Therefore, proper ESD precautions should be taken to avoid performance degradation or loss of functionality.

OBSOLETE

## PIN LAYOUT AND FUNCTION DESCRIPTIONS

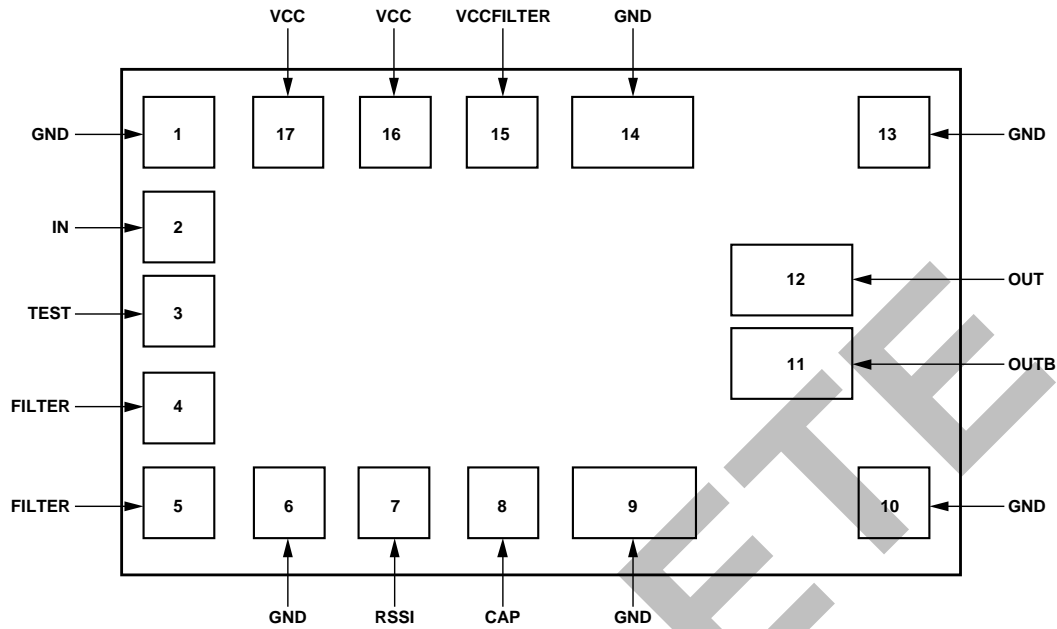


Figure 2. Pad Layout

043946-002

Table 3. Pad Function Descriptions

Pad No.	Mnemonic	Pin Type <sup>1</sup>	Description
1	GND	P	Ground. (Input return.)
2	IN	AI	Current Input. Bond directly to a photodiode (PD) anode.
3	TEST	AI	Test Probe Pad. Do not connect.
4	FILTER	AO	Filter Output. Pad 4 and Pad 5 are metal connected. Optional bond to a PD cathode.
5	FILTER	AO	Filter Output. Pad 4 and Pad 5 are metal connected. Optional bond to a PD cathode.
6	GND	P	Ground.
7	RSSI	AO	Voltage Output. Provides average input current monitoring. Leave it open, if not used.
8	CAP	AI	Leave This Pin Open for Non-SONET Applications. For SONET applications, see Figure 10 and contact sales for assembly details.
9	GND	P	Ground. (Output return.)
10	GND	P	Ground. (Output return.)
11	OUTB	AO	Negative Output, CML, On-Chip 50 $\Omega$ Termination (AC or DC Termination).
12	OUT	AO	Positive Output, CML, On-Chip 50 $\Omega$ Termination (AC or DC Termination).
13	GND	P	Ground. (Output return.)
14	GND	P	Ground. (Output return.)
15	VCCFILTER	P	On-Chip Filter Supply. Connect to VCC to Enable On-Chip RC Filter (200 $\Omega$ , 20 pF). Leave it open, if not used.
16	VCC	P	3.3 V Power Supply. Place a 200 pF, RF decoupling capacitor close to the power pad to reduce the power noise.
17	VCC	P	3.3 V Power Supply. Place a 200 pF, RF decoupling capacitor close to the power pad to reduce the power noise.

<sup>1</sup> P = power; AI = analog input; and AO = analog output.

TYPICAL PERFORMANCE CHARACTERISTICS

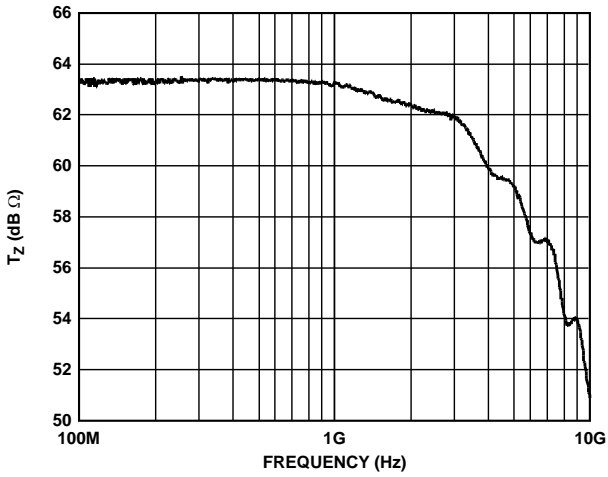


Figure 3. Single-Ended Transimpedance vs. Frequency

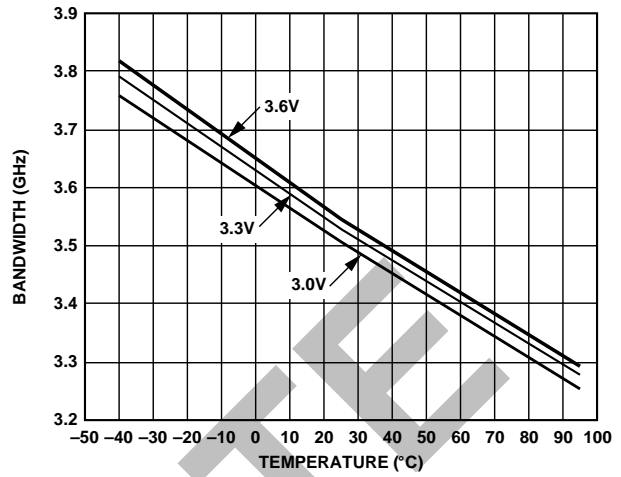


Figure 6. Bandwidth vs. VCC and Temperature

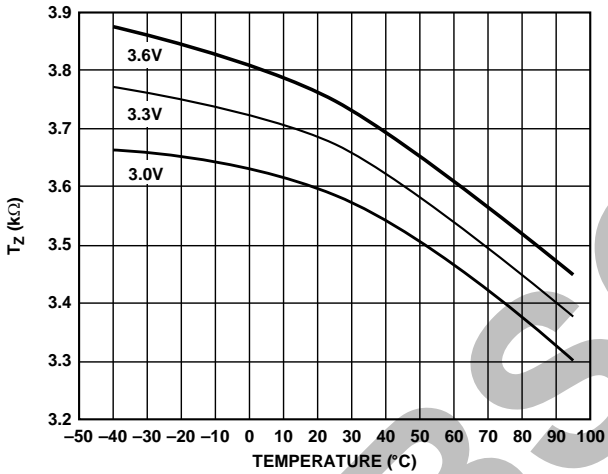


Figure 4. Differential Transimpedance vs. VCC and Temperature

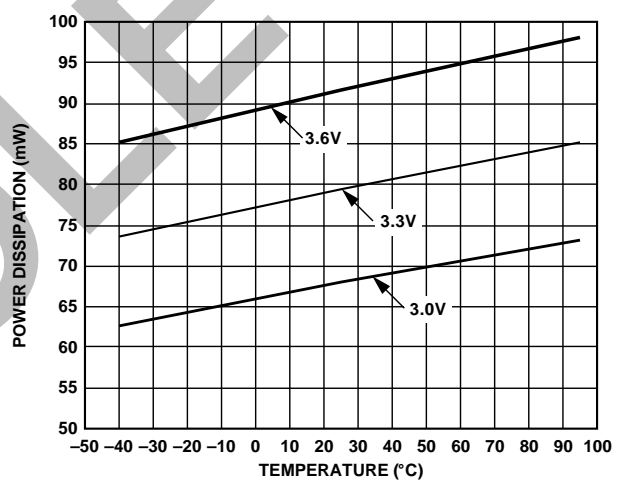


Figure 7. Power Dissipation vs. VCC and Temperature

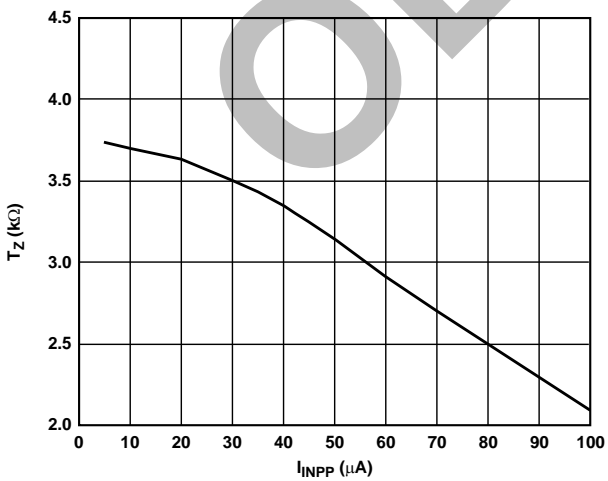


Figure 5. Differential Transimpedance vs. Input Current

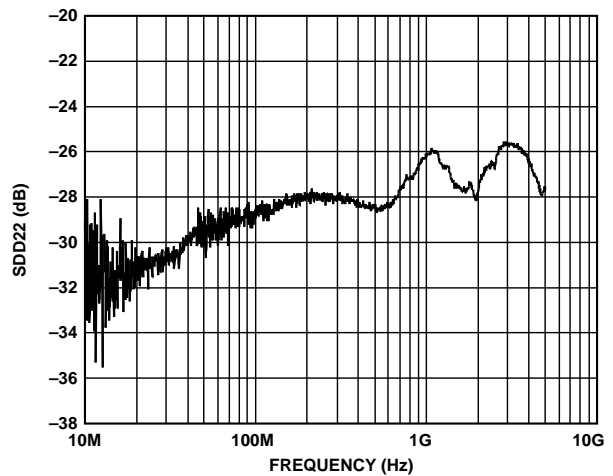


Figure 8. SDD22 vs. Frequency Up to 5 GHz, CAP = Open

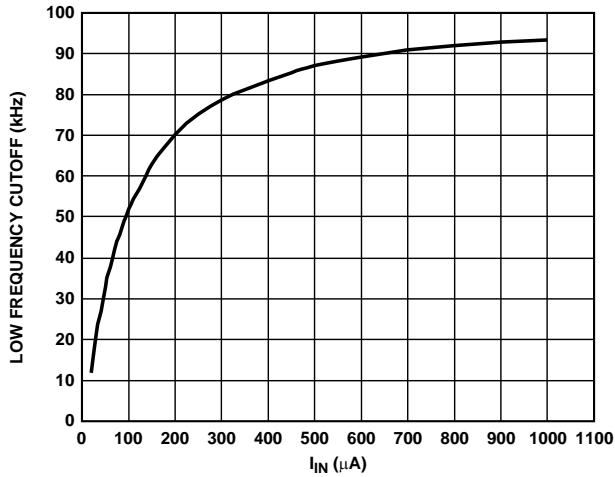


Figure 9. Low Frequency Cutoff vs. Input Current (CAP = OPEN)

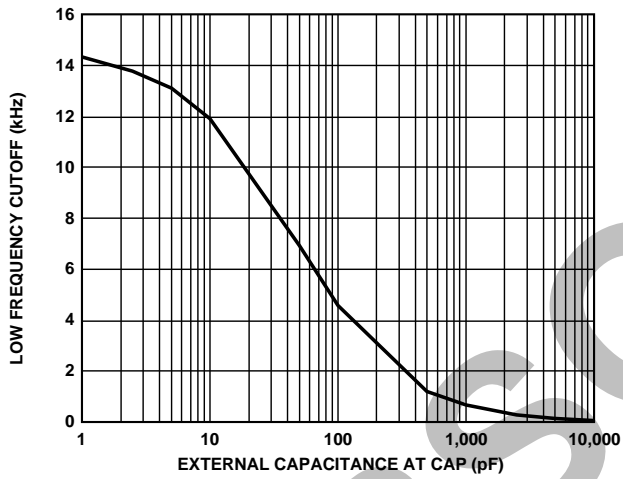


Figure 10. Low Frequency Cutoff vs. External Capacitance at CAP

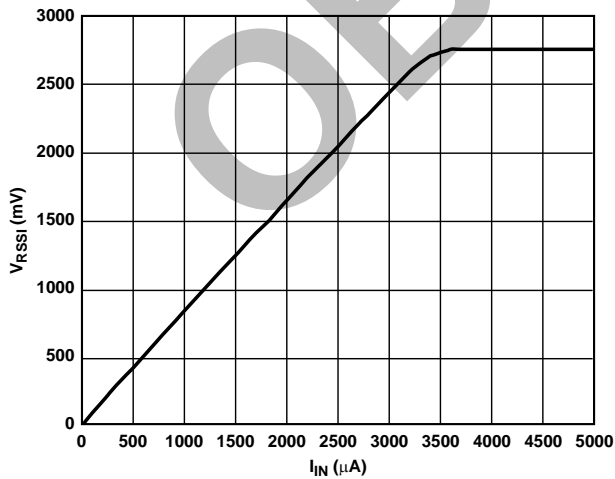


Figure 11. Full-Scale of RSSI Voltage Output vs. Input Current

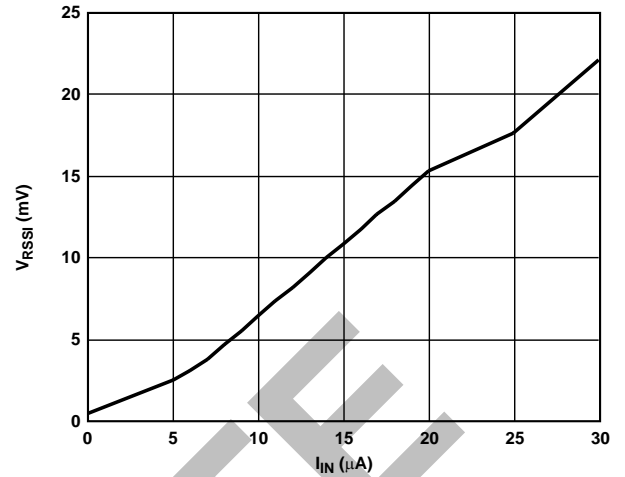


Figure 12. RSSI Voltage Output vs. Input Current (0  $\mu$ A to 30  $\mu$ A)

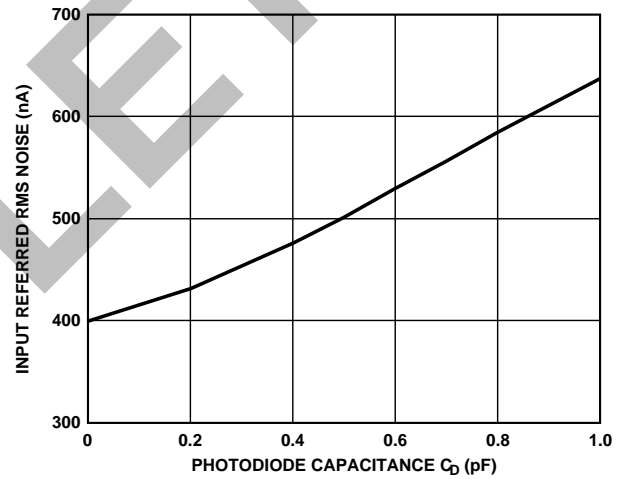


Figure 13. Input Referred Noise (DC to 4.0 GHz) vs. PD Capacitance

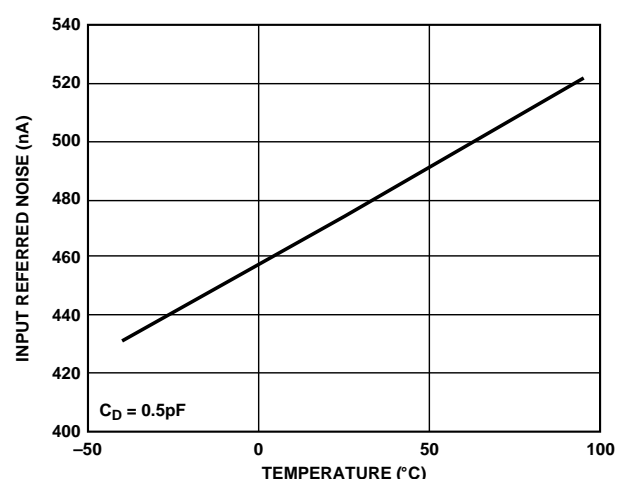


Figure 14. Input Referred Noise vs. Temperature

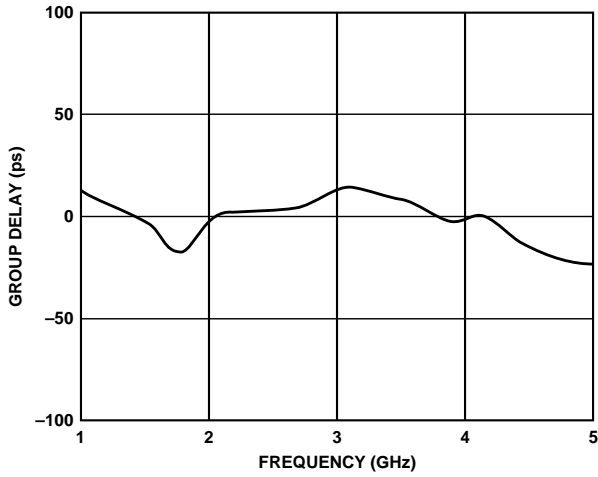


Figure 15. Group Delay vs. Frequency

04946-018

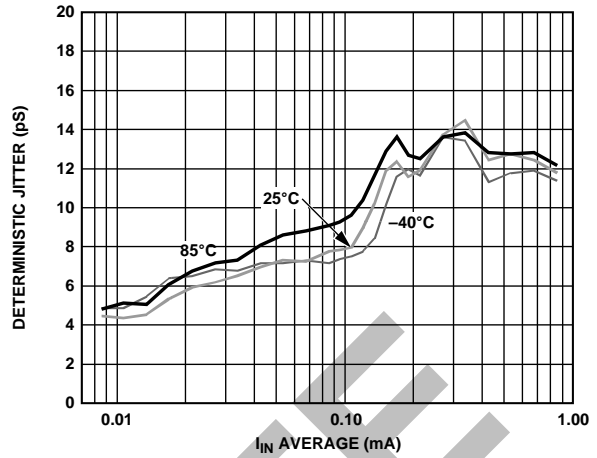


Figure 17. Deterministic Jitter vs. Input Current (K28.5 @ 4.25 Gbps)

04946-026

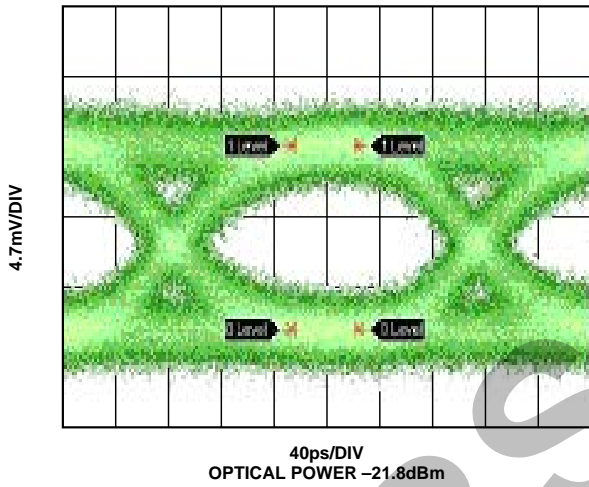


Figure 16. Output Eye at 4.25 Gbps  
(1550 nm PD with Responsivity = 0.85 A/W,  
ER = 9 dB, PRBS 2<sup>31</sup> - 1, BER < 10<sup>-12</sup>)

04946-019



### 5-PIN TO-46 ASSEMBLY RECOMMENDATIONS

Contact sales for more details.

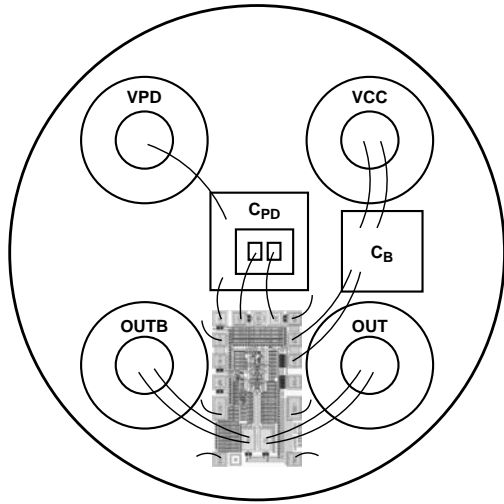


Figure 18. 5-Pin TO-46 with External Photodiode Supply VPD

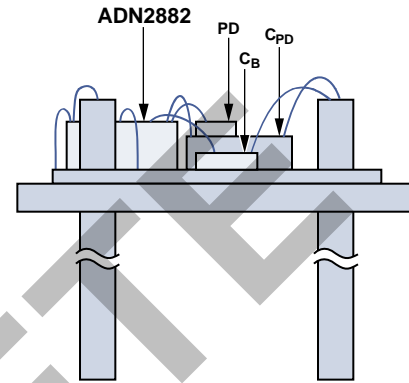


Figure 19. Side View of the Assembly

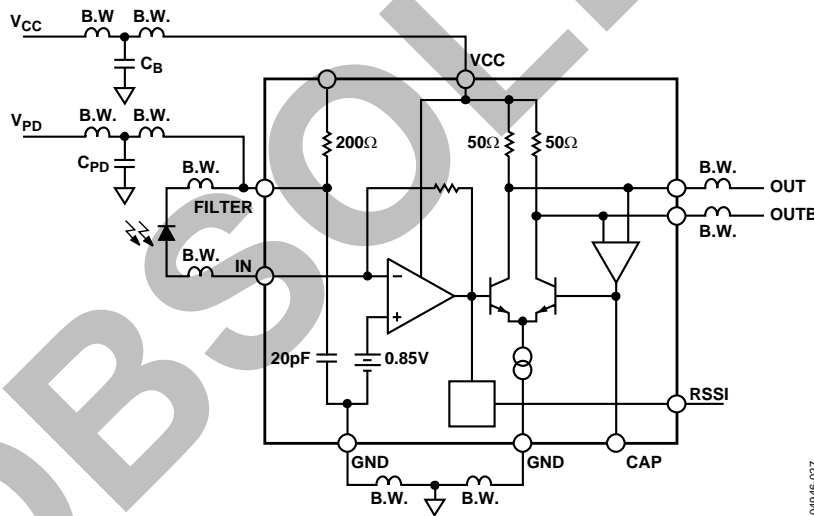


Figure 20. Equivalent Circuit of Assembly Including Bond Wires

Table 4. Bill of Materials (BOM)

Component	Description
PD	1× vendor specific, 4.25 Gbps, photodiode
TIA	1× ADN2882 (0.7 mm × 1.2 mm), 4.25 Gbps, transimpedance amplifier
C <sub>B</sub>	1× 200 pF, RF single-layer capacitor
C <sub>PD</sub>	1× 560 pF, RF single-layer capacitor

#### Notes

- One mil thickness gold wire, ball bond recommended.
- Minimize all GND bond-wire lengths.
- Minimize IN, FILTER, OUT, and OUTB bond-wire lengths.
- Maintain symmetry in length and orientation between OUT and OUTB bond wires.
- Maintain symmetry between IN/FILTER and OUT/OUTB bond wires.

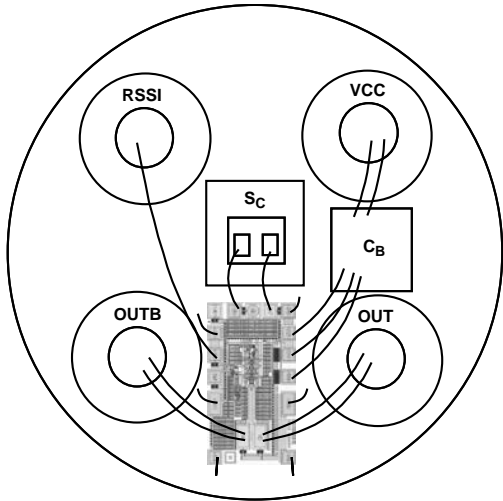


Figure 21. 5-Pin TO-46 with Internal PD Biasing and RSSI Output

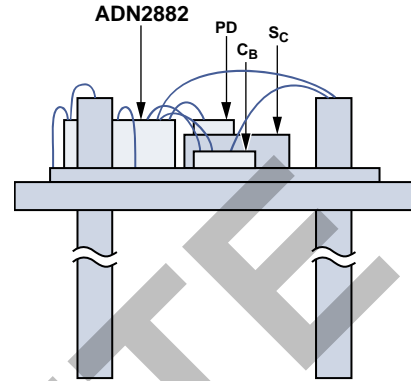


Figure 22. Side View of the Assembly

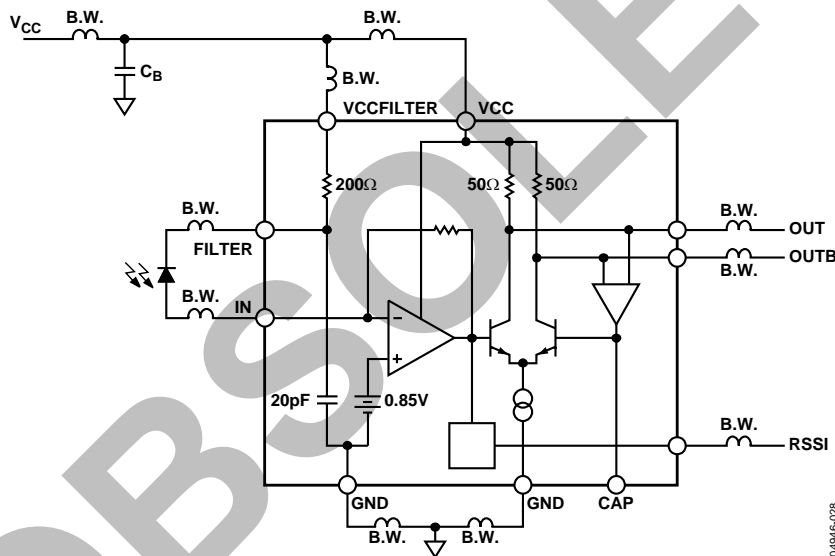


Figure 23. Equivalent Circuit of the Assembly Including Bond Wires

Table 5. Bill of Materials (BOM)

Component	Description
PD	1× vendor specific, 4.25 Gbps, photodiode
TIA	1× ADN2882 (0.7 mm × 1.2 mm), 4.25 Gbps, transimpedance amplifier
C <sub>B</sub>	1× 200 pF, RF single-layer capacitor
S <sub>C</sub>	1× ceramic standoff or 1× optional capacitor

Notes

- One mil thickness gold wire, ball bond recommended.
- Minimize all GND bond-wire lengths.
- Minimize IN, FILTER, OUT, and OUTB bond-wire lengths.
- Maintain symmetry in length and orientation between OUT and OUTB bond wires.
- Maintain symmetry between IN/FILTER and OUT/OUTB bond wires.

### 4-PIN TO-46 ASSEMBLY RECOMMENDATIONS

Contact sales for more details.

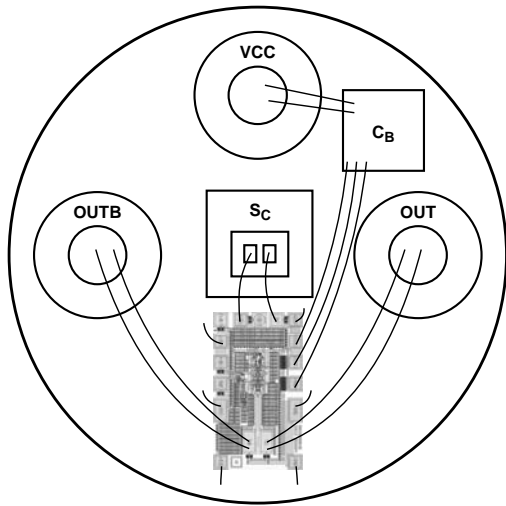


Figure 24. 4-Pin TO-46 with Internal PD Biasing

04946-004

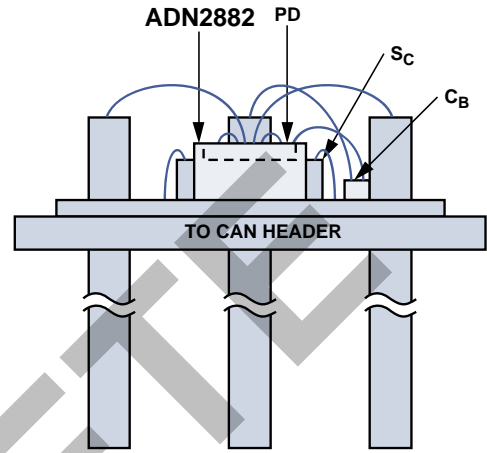


Figure 25. Side View of the Assembly

04946-030

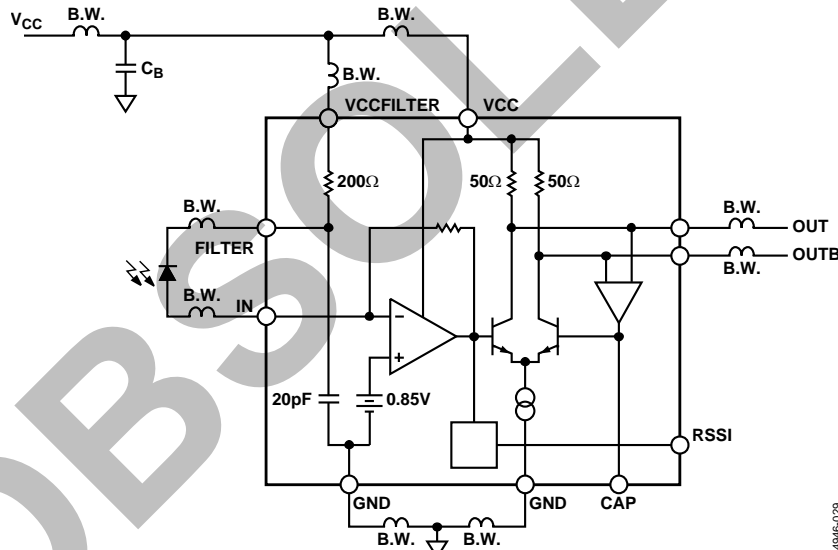


Figure 26. Equivalent Circuit of Assembly Including Bond Wires

04946-029

Table 6. Bill of Materials (BOM)

Component	Description
PD	1× vendor specific, 4.25 Gbps, photodiode
TIA	1× ADN2882 (0.7 mm × 1.2 mm), 4.25 Gbps, transimpedance amplifier
CB	1× 200 pF, RF single-layer capacitor
SC	1× ceramic standoff or 1× optional capacitor

#### Notes

- One mil thickness gold wire, ball bond recommended.
- Minimize all GND bond-wire lengths.
- Minimize IN, FILTER, OUT, and OUTB bond-wire lengths.
- Maintain symmetry in length and orientation between OUT and OUTB bond wires.
- Maintain symmetry between IN/FILTER and OUT/OUTB bond wires.

## OUTLINE DIMENSIONS

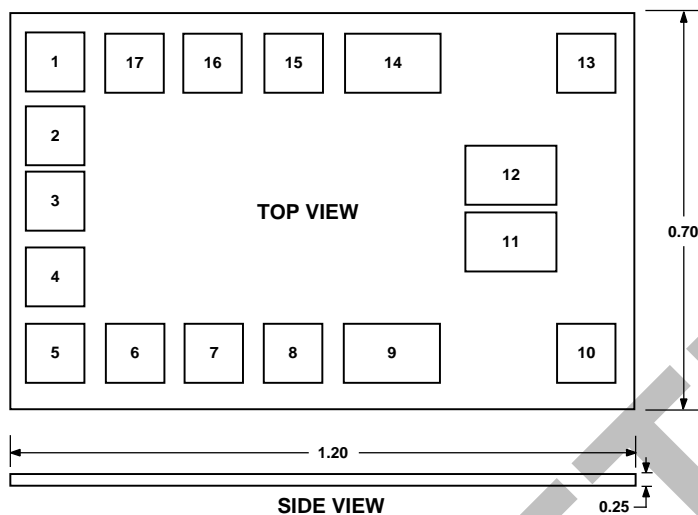


Figure 27. 17-Pad Bare Die Sales [CHIP]  
C-17-1  
Dimensions shown in millimeters

Table 7. Pad Coordinates

Pad No.	Mnemonic	X ( $\mu\text{m}$ )	Y ( $\mu\text{m}$ )
1	GND	-500	+260
2	IN	-500	+130
3	TEST	-500	+10
4	FILTER	-500	-120
5	FILTER	-500	-260
6	GND	-350	-260
7	RSSI	-200	-260
8	CAP	-50	-260
9	GND	+130	-260
10	GND	+500	-260
11	OUTB	+350	-60
12	OUT	+350	+60
13	GND	+500	+260
14	GND	+130	+260
15	VCCFILTER	-50	+260
16	VCC	-200	+260
17	VCC	-350	+260

## DIE INFORMATION

**Die Size**

0.7 mm  $\times$  1.2 mm (edge to edge, including 1 mil scribe)

**Die Thickness**

10 mils = 0.25 mm

**Passivation Openings**

0.075 mm  $\times$  0.075 mm (Pad 1 to 8, 10, 13, and Pad 15 to 17)

0.144 mm  $\times$  0.075 mm (Pad 9, 11, 12, and Pad 14)

**Passivation Composition**

5000 Å Si<sub>3</sub>N<sub>4</sub> (top)

5000 Å SiO<sub>2</sub> (bottom)

**Pad Composition**

Al/1%Cu

**Substrate Contact**

To ground

## ORDERING GUIDE

Model	Temperature	MOQ	Description <sup>1</sup>	Package Option
ADN2882ACHIPS	-40°C to +95°C	200	17-Pad Die Sales	C-17-1
ADN2882A-DF	-40°C to +95°C	5,704	Reconstituted die on 8" metal film frame	

<sup>1</sup> Contact Analog Devices, Inc., sales for more information on the film frame ADM2882A-DF.