



www.hover-1.com



[@RideHover1](https://twitter.com/RideHover1)



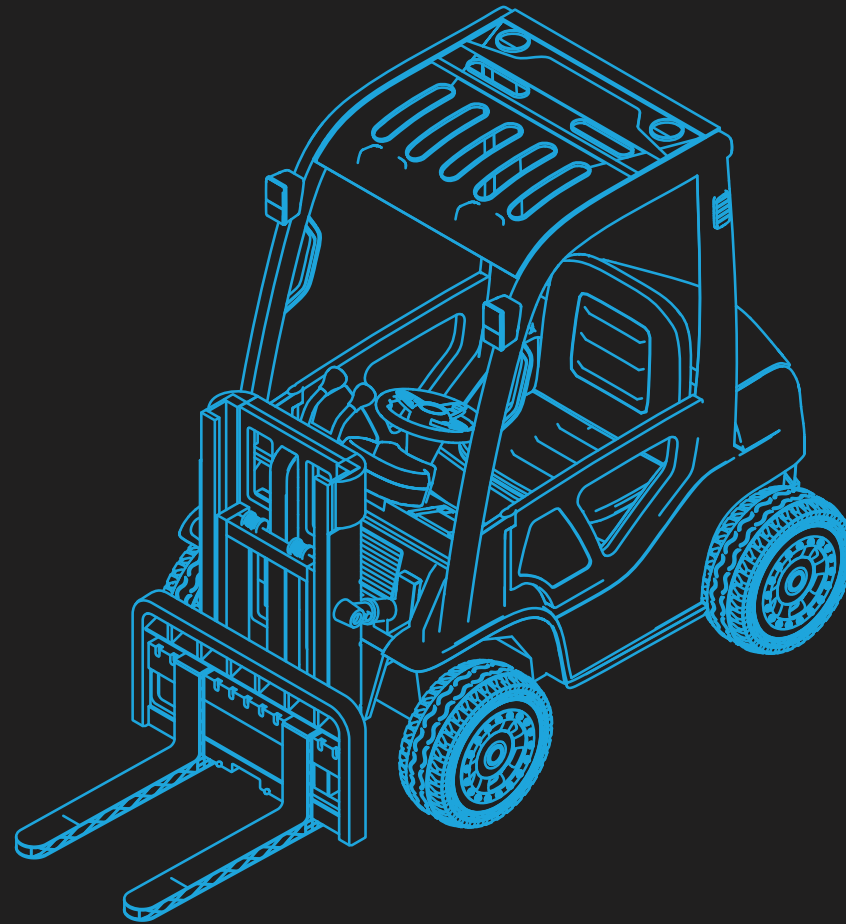
[@RideHover1](https://www.instagram.com/RideHover1)



[@RideHover1](https://www.facebook.com/RideHover1)



MY FIRST
FORKLIFT









MY FIRST FORKLIFT



Operation Manual H1-FLFT

IMPORTANT: KEEP FOR FUTURE REFERENCE

**Images used in this manual may vary slightly from the product and are for reference purposes only.*



It is important for you and every rider to read this manual before using this product.



WARNING

HELMETS SAVE LIVES!

Always wear a properly fitted helmet that complies with CPSC or CE safety standards when you ride your vehicle.



Correct Fitting:
Make sure your helmet covers your forehead.



Incorrect Fitting:
Forehead is exposed and vulnerable to serious injury.

INTRODUCTION

This manual is designed to give you the information you need for the safe operation and maintenance of your new Hover-1 My First Forklift. Please read it thoroughly before riding your Hover-1 My First Forklift.

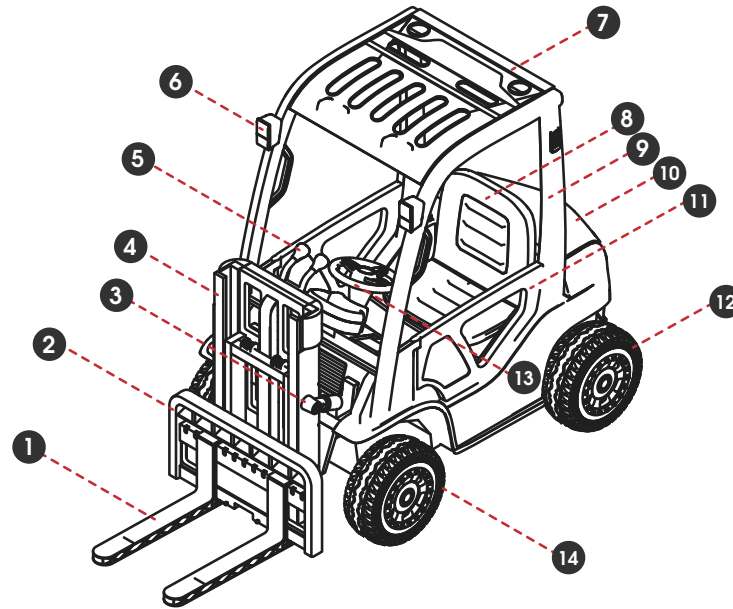
TABLE OF CONTENTS	PAGES
Diagram	4
Parts List	5 - 6
Assembly	7-12
Controls	13
Checklist	14
Warnings	15
Care & Maintenance	16-17
Before Riding	18
Safety Precautions	19-21
Riding your Forklift	22
Warranty	23

WARNING

Make sure you read this complete manual before riding your Hover-1 My First Forklift. Failure to do so, or failure to follow its guidelines could lead to serious injury or death.

HOVER-1 MY FIRST FORKLIFT DIAGRAM

1. Front Fork
2. Fork Frame
3. Front Fork Link
4. Front Fork Lifting
5. Lever
6. Headlights
7. Roof
8. Chair
9. Support Frame
10. Trunk Lid
11. Door
12. Rear Wheel
13. Steering Wheel
14. Front Wheel



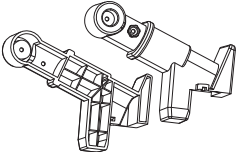


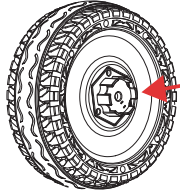
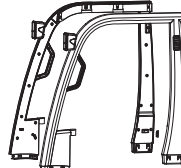

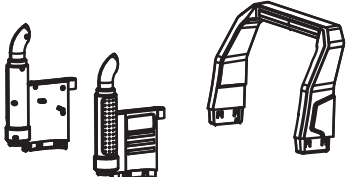


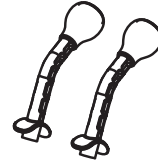
SPECIFICATIONS

Battery	12V 10AH
Brushless Motor	Drive 12V / 40W x2 (12V/20W x2)
Age of Use	3+
Maximum Load	66 lbs (30 kg)
Max Lifting Weight	22 lbs (10 kg)

Dimensions	57.5" x 24.8" x 39.8" (146 x 63 x 101 cm)
Speed	3 mph (4.8 km/h)
Usage Time	Up to 2 hours
Charge	Input AC: 110 - 220V Output DC: 12V-1000m
Fuse	Self reset fuse

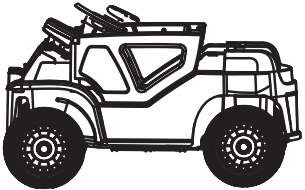
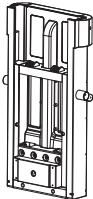
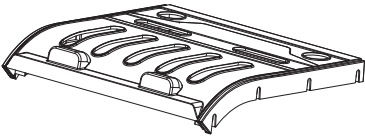
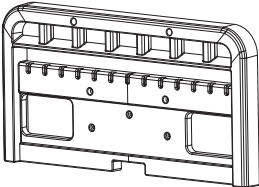
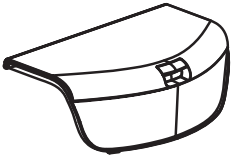
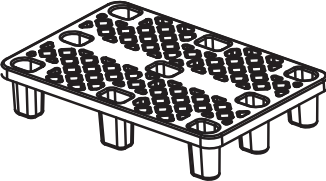


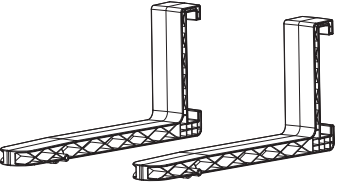
Please visit www.hover-1.com to request missing or defective parts

PARTS LIST

	<p>(1) Front Fork Link</p>		<p>(2) Front Wheels</p>
	<p>(4) Wheel Cover</p>	 <p>Drive Gear</p>	<p>(2) Rear Wheels</p>
	<p>(1) Support Frame (Optional)</p>		<p>(1) Charging Cable</p>
	<p>(1) Lower Frame Assembly (Optional)</p>		<p>(1) Remote Control</p>
	<p>(1) Steering Wheel</p>		<p>(2) Levers</p>

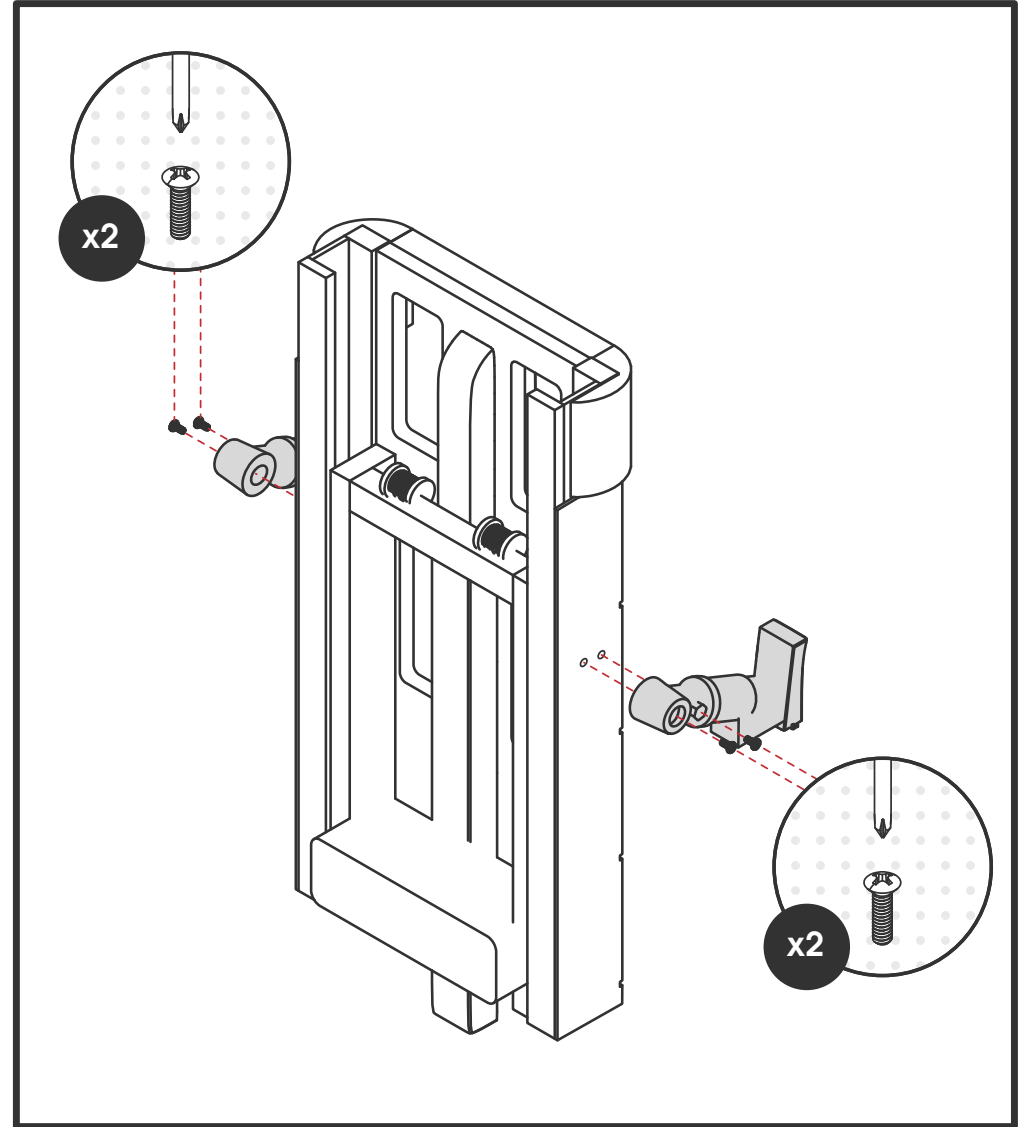
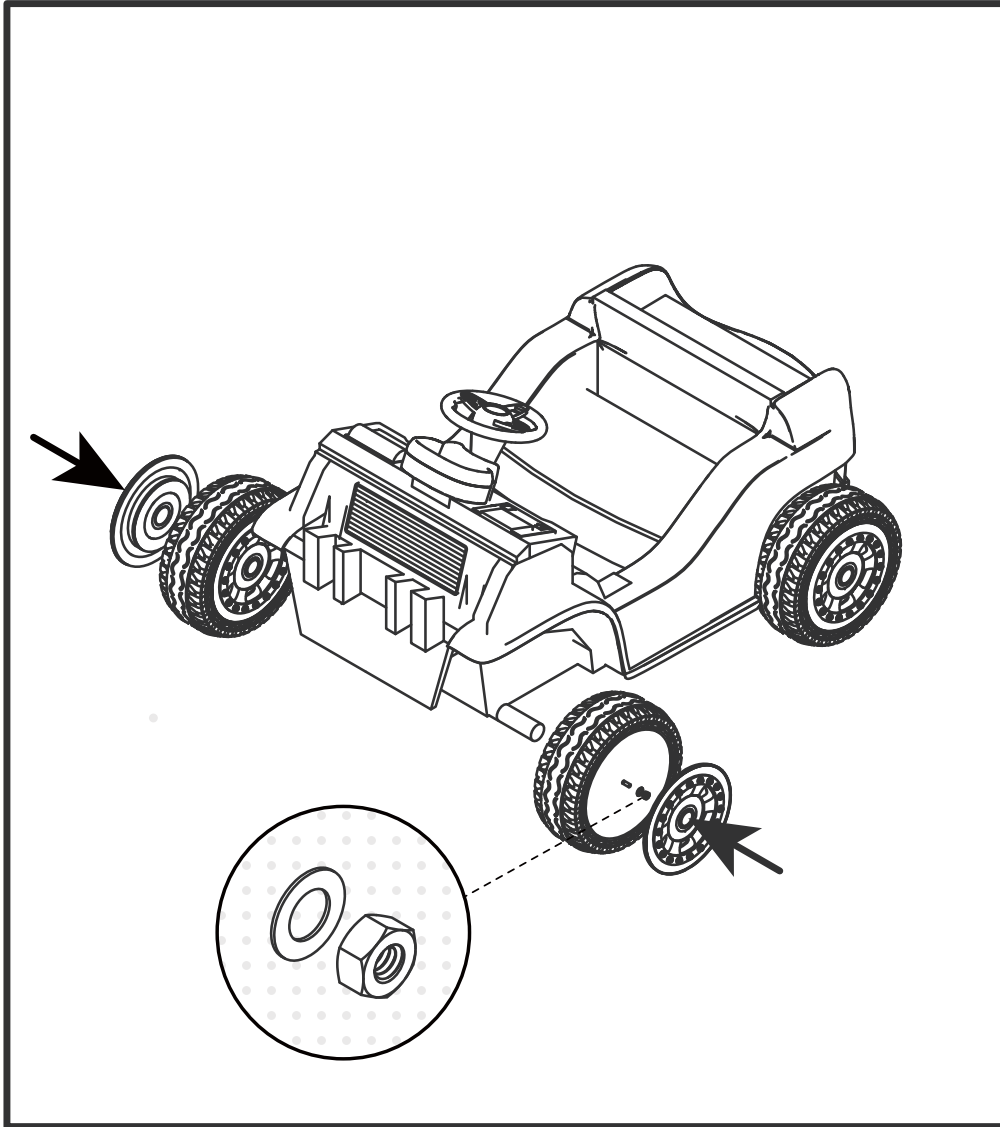
Please visit www.hover-1.com to request missing or defective parts

PARTS LIST

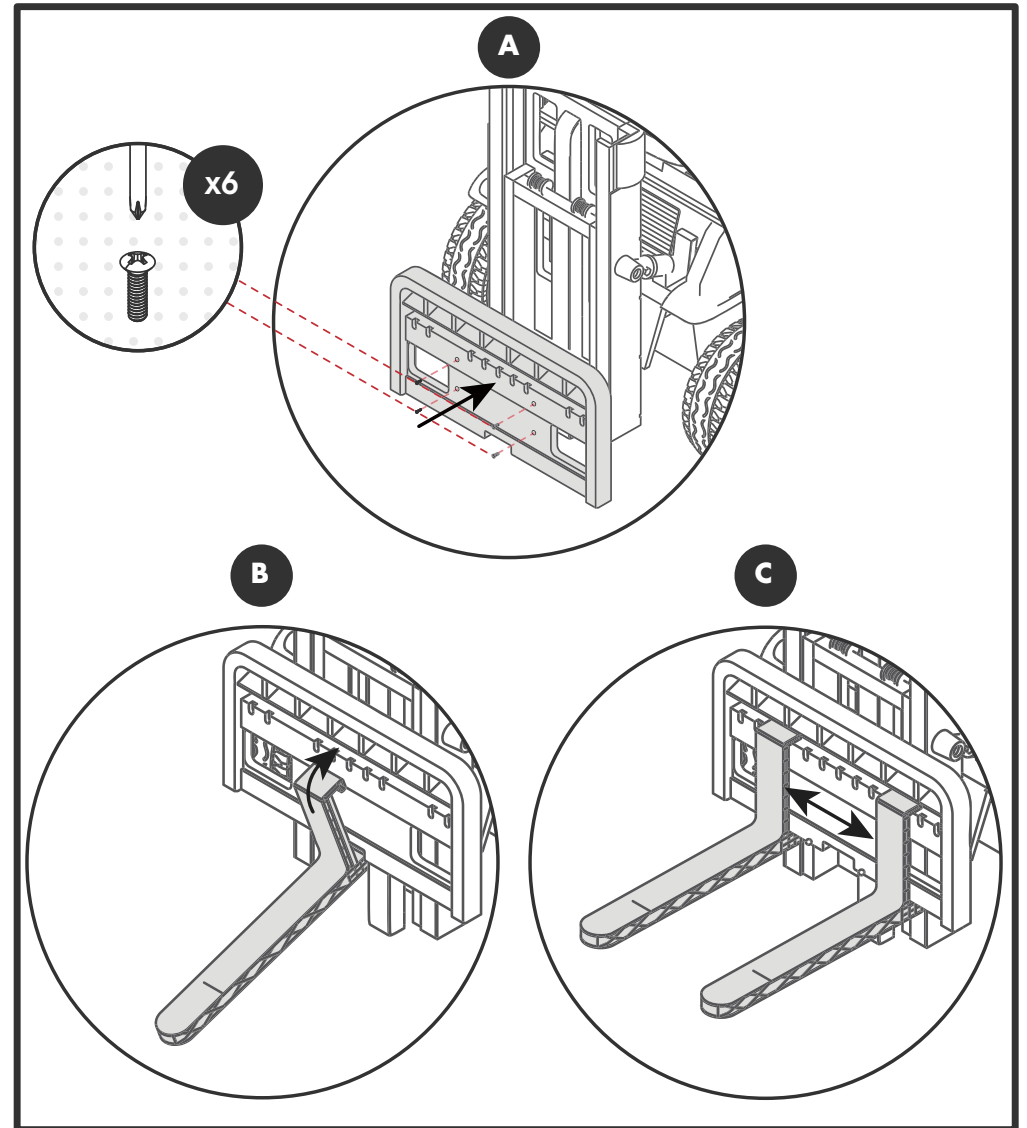
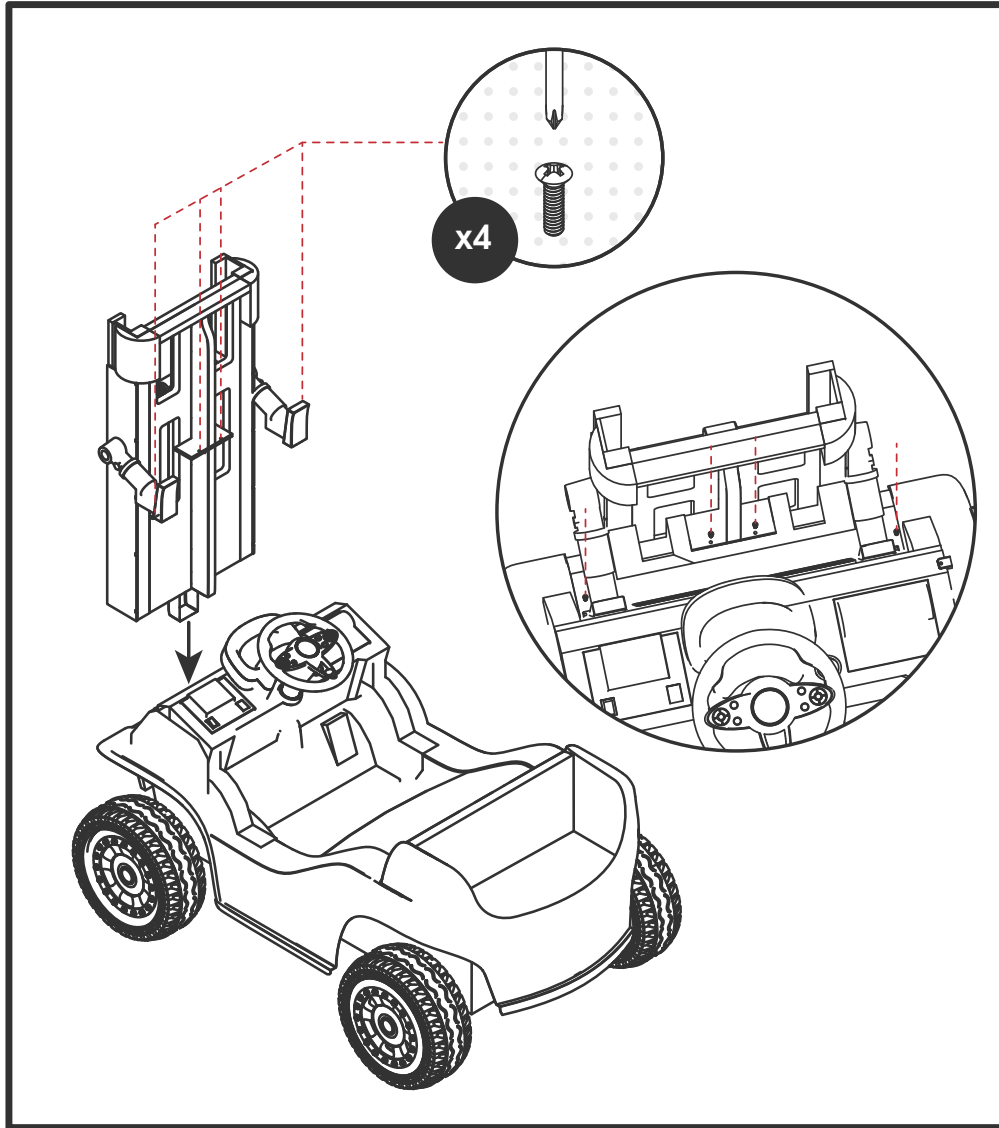
	<p>(1) Body</p>		<p>(1) Front Fork Lifter</p>
	<p>(1) Roof</p>		<p>(1) Fork Frame</p>
	<p>(1) Trunk</p>		<p>(1) Toy Pallet</p>
	<p>(1) Trunk</p>		<p>(1) Seat</p>
	<p>(2) Front Forks</p>		

Please visit www.hover-1.com to request missing or defective parts

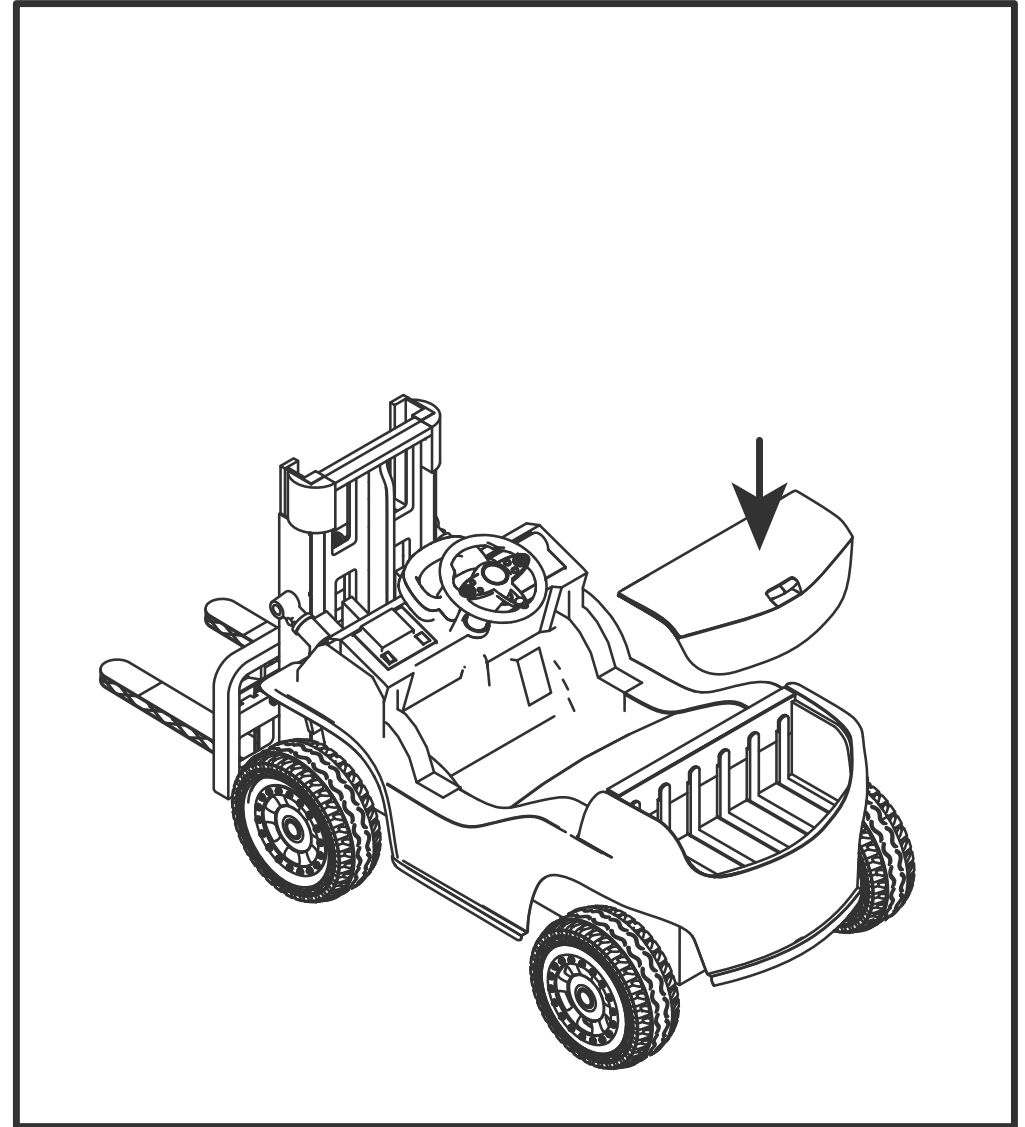
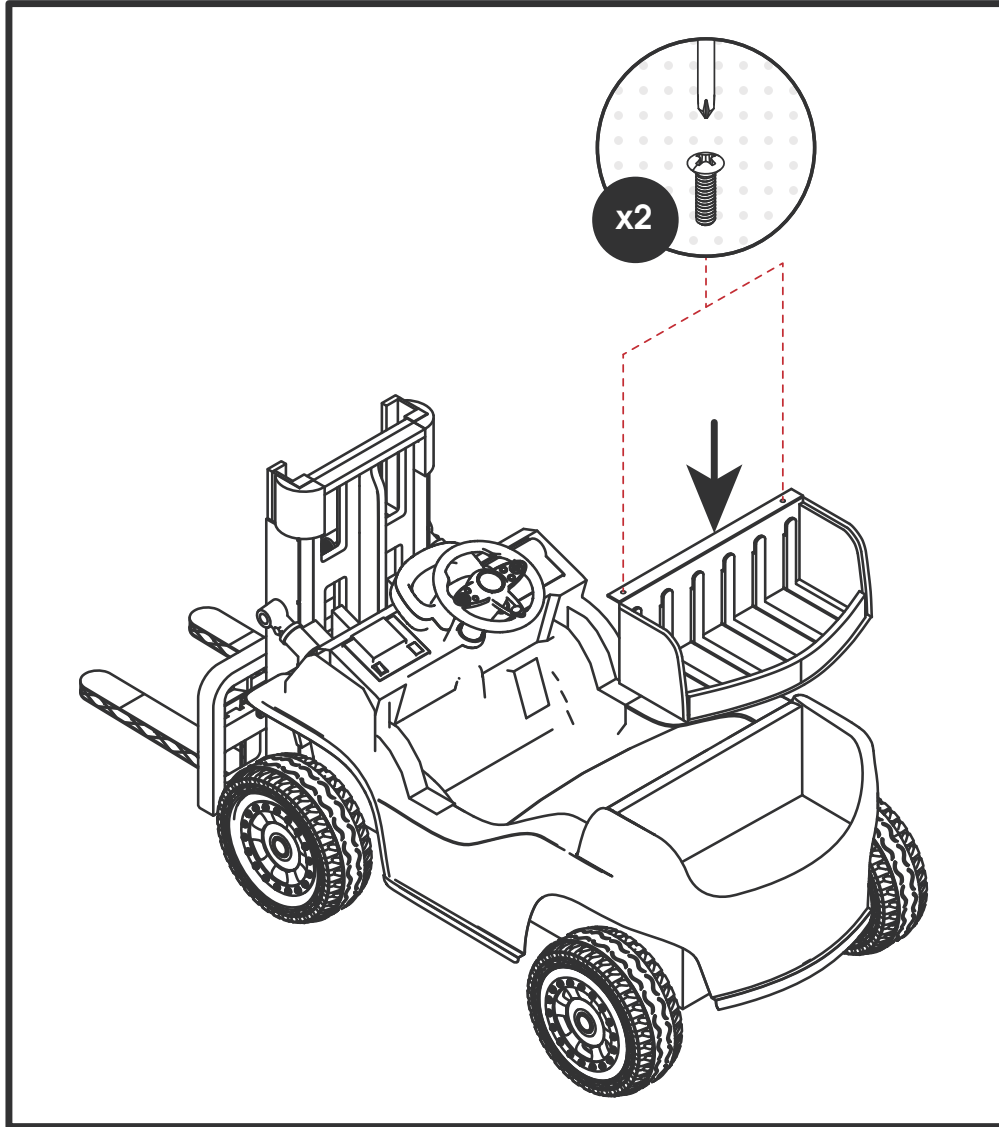
ASSEMBLING YOUR HOVER-1 MY FIRST FORKLIFT



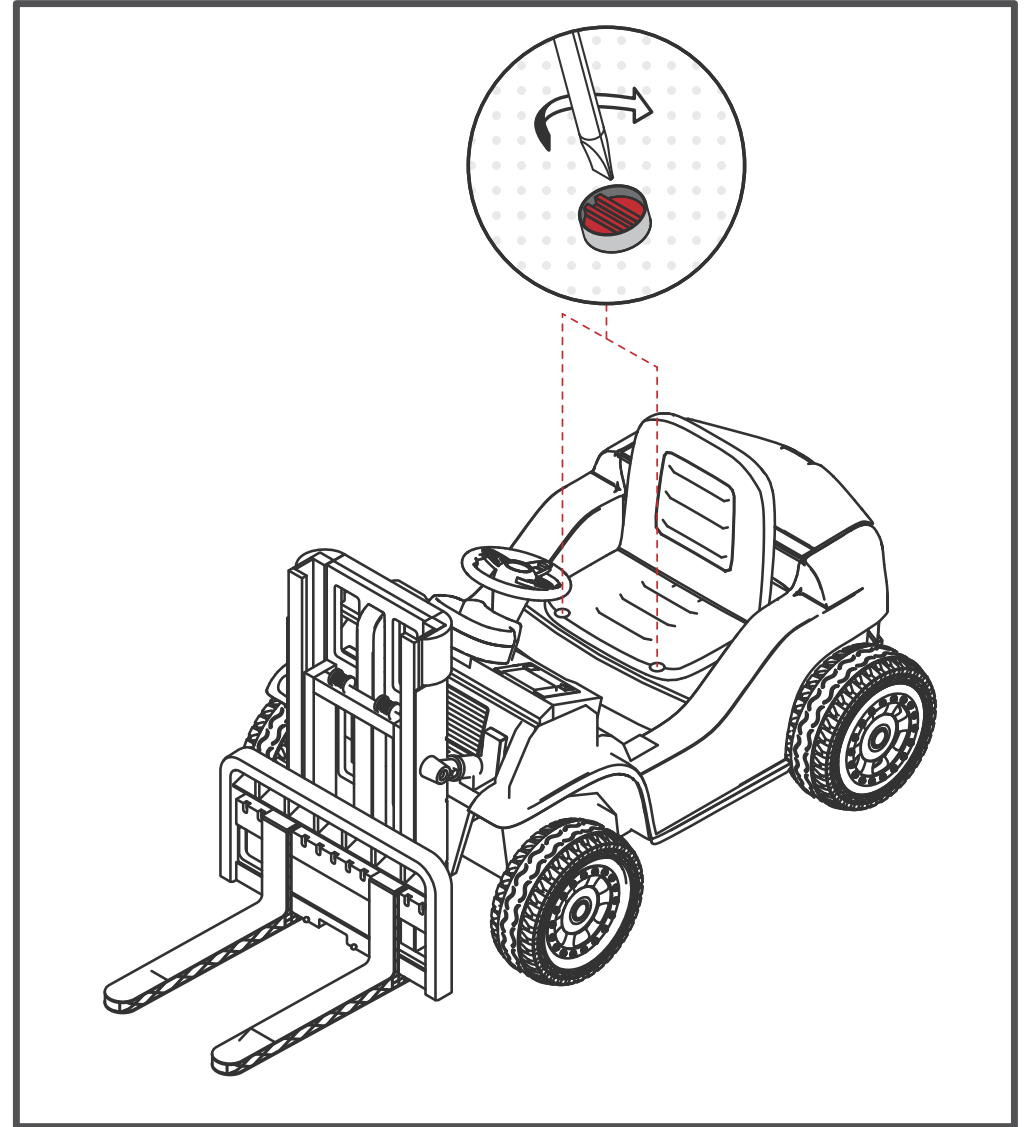
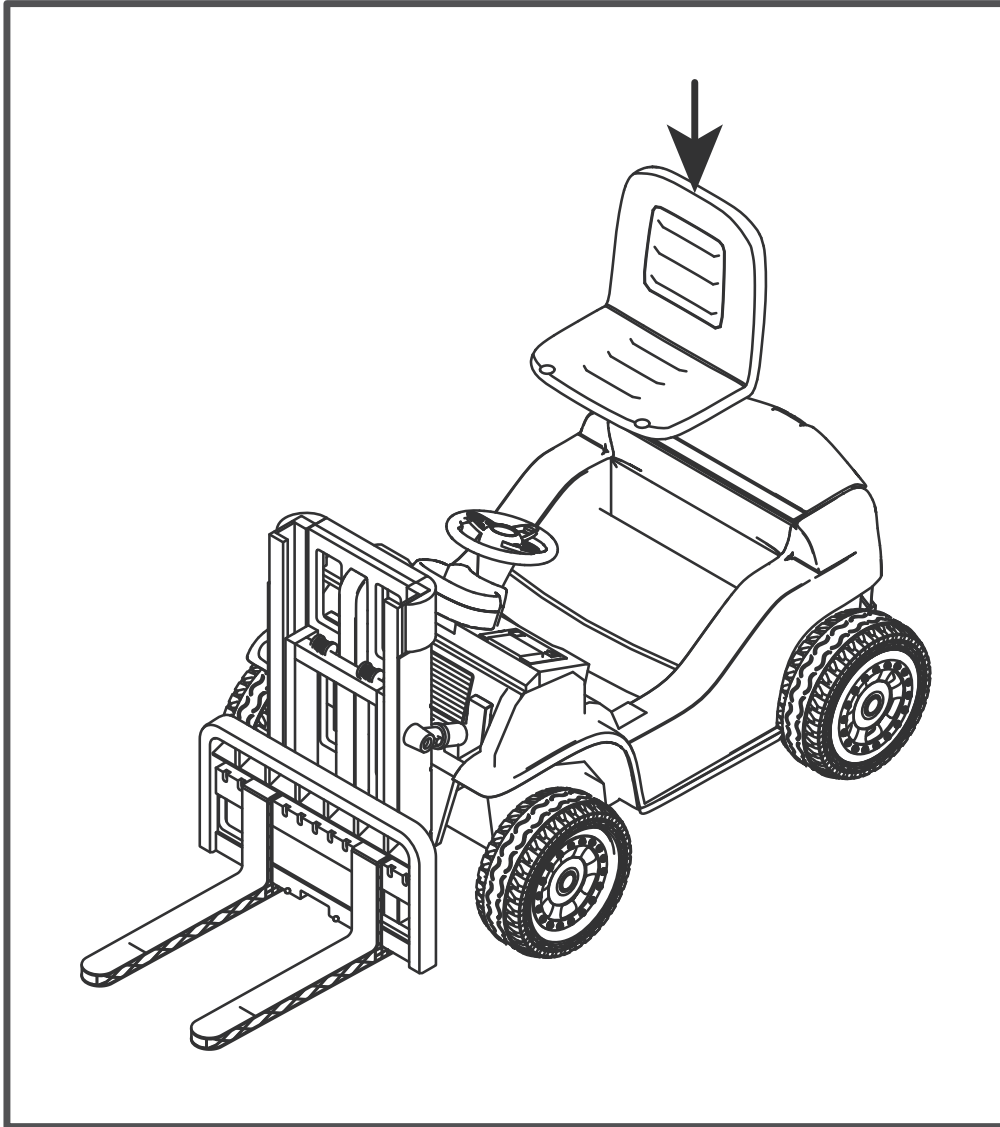
ASSEMBLING YOUR HOVER-1 MY FIRST FORKLIFT



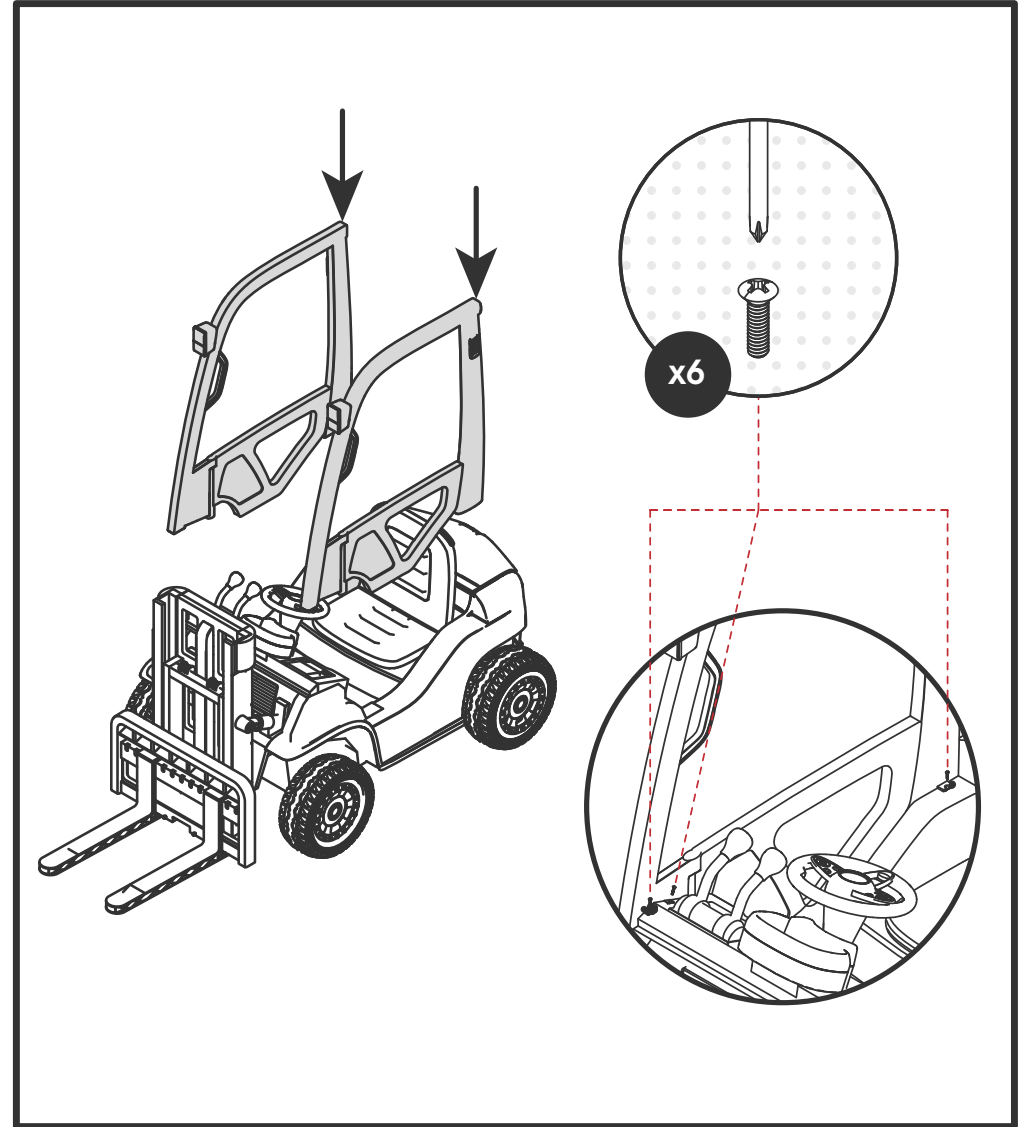
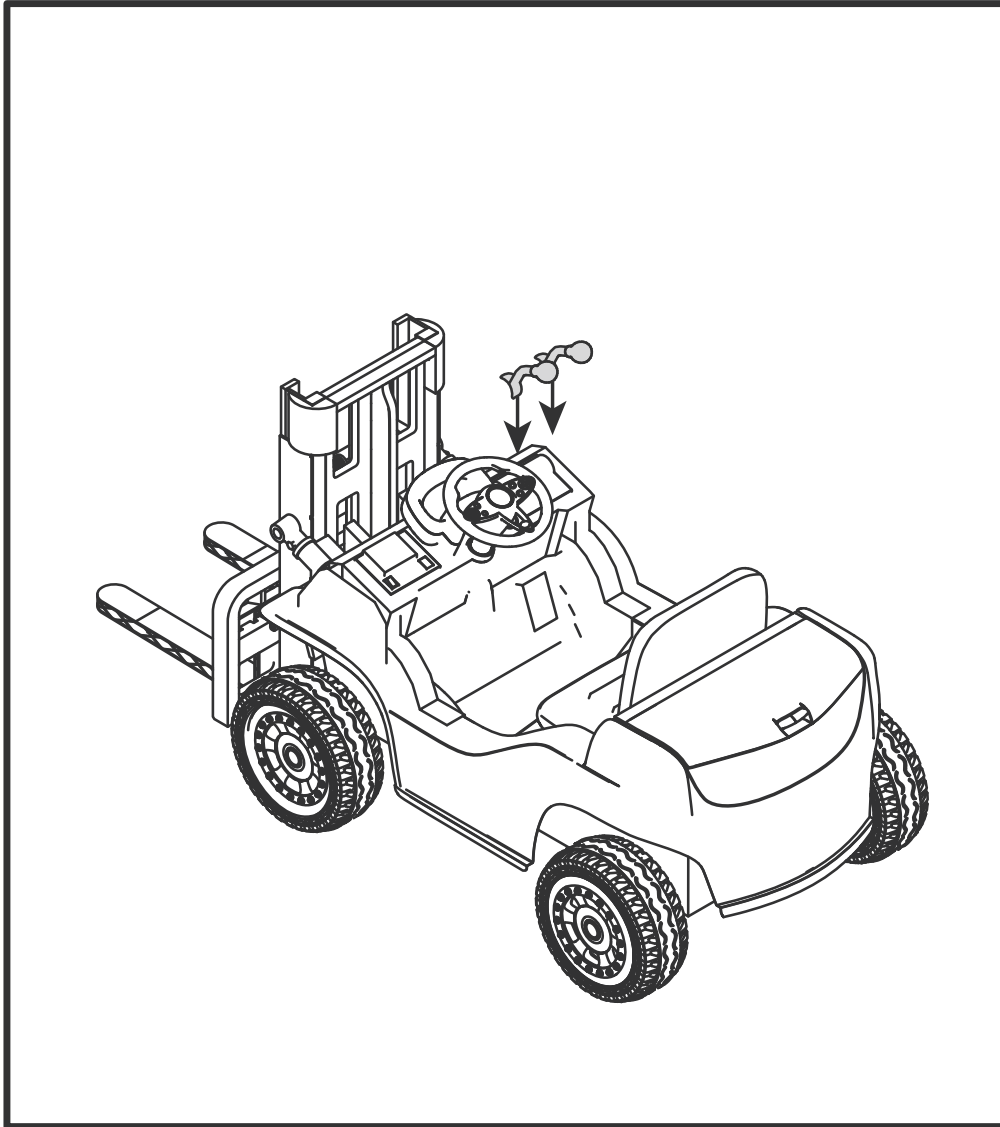
ASSEMBLING YOUR HOVER-1 MY FIRST FORKLIFT



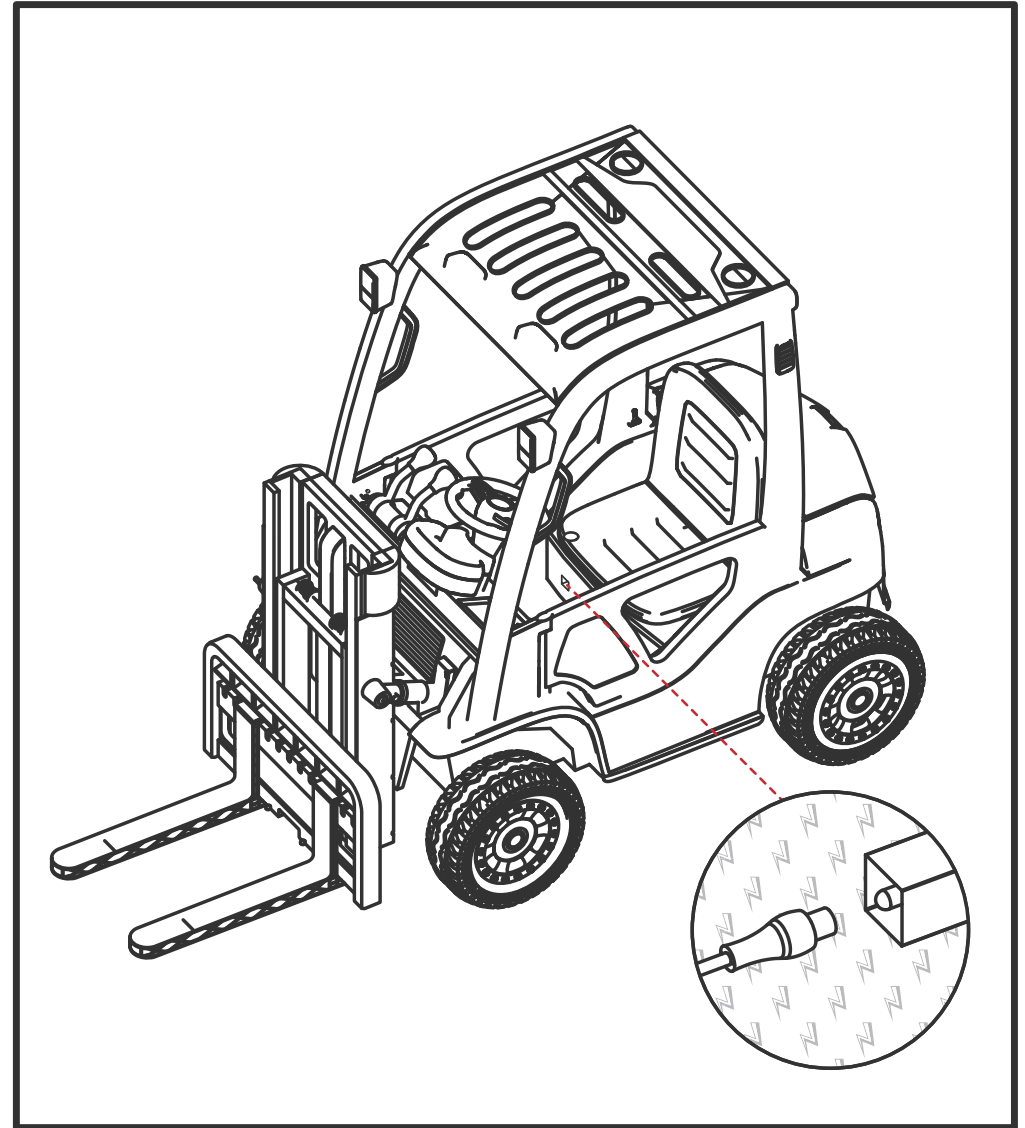
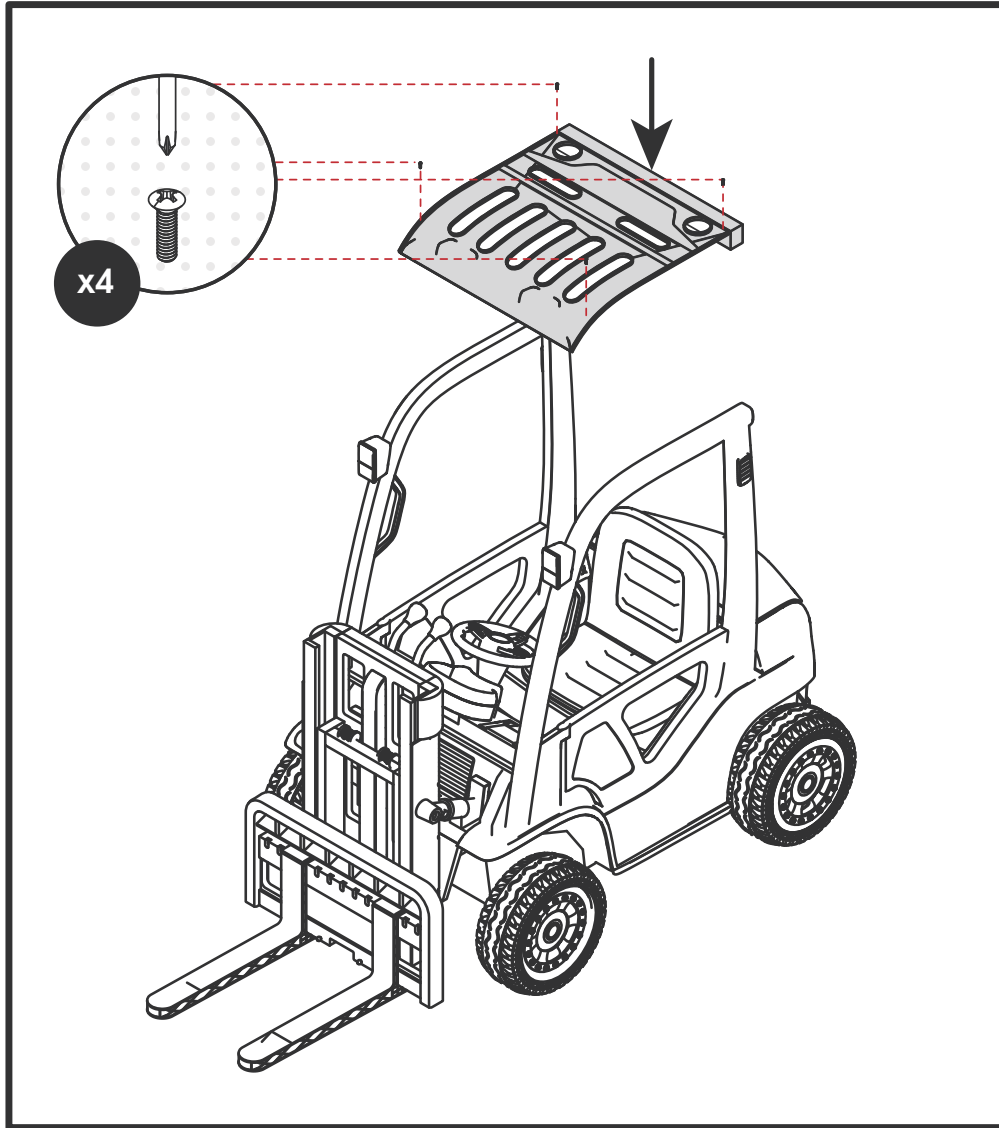
ASSEMBLING YOUR HOVER-1 MY FIRST FORKLIFT



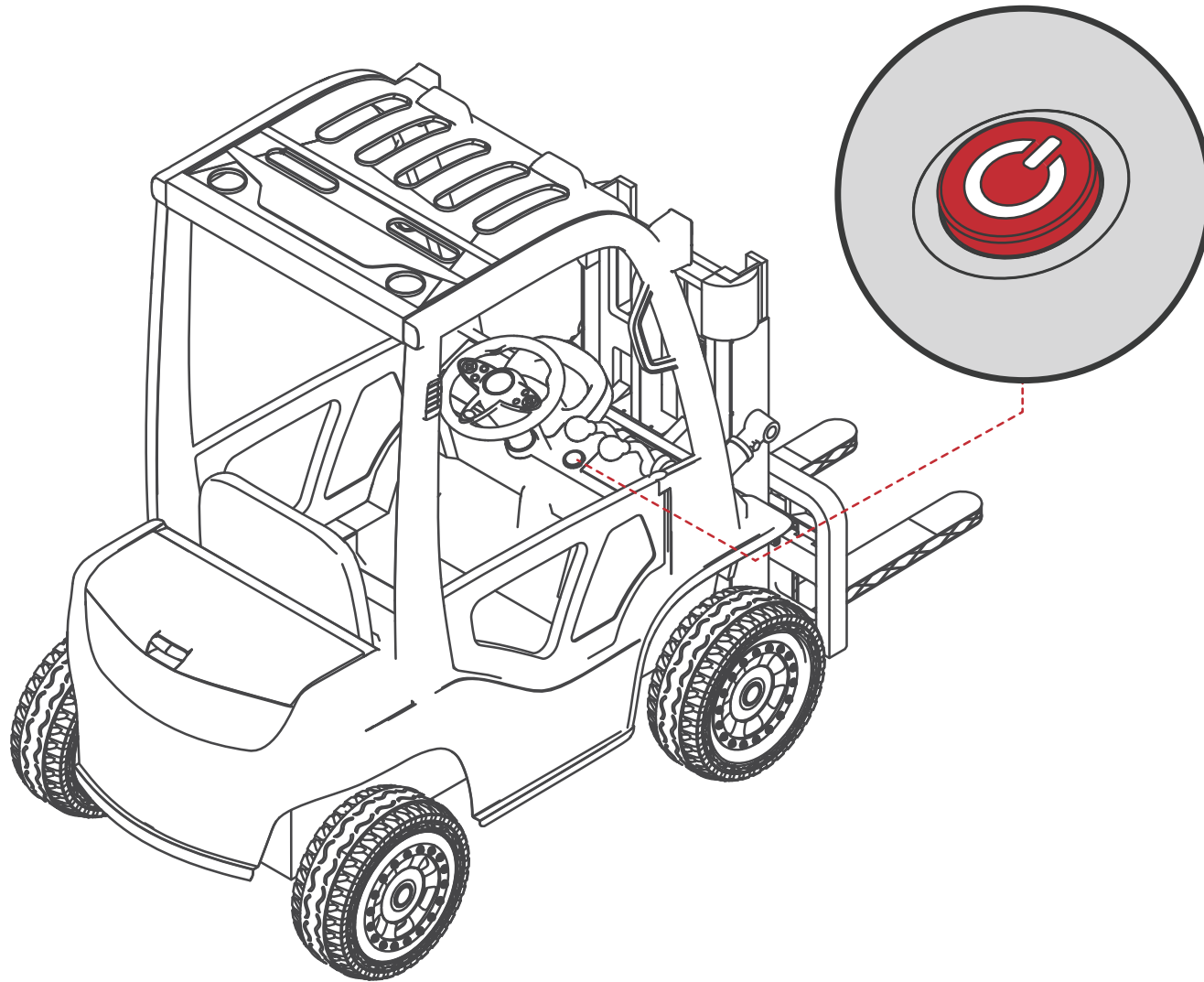
ASSEMBLING YOUR HOVER-1 MY FIRST FORKLIFT



ASSEMBLING YOUR HOVER-1 MY FIRST FORKLIFT



ASSEMBLING YOUR HOVER-1 MY FIRST FORKLIFT



STEERING WHEEL & REMOTE CONTROL



PAIR REMOTE TO FORKLIFT

If the remote is not pairing to the forklift, follow these instructions

1. Turn off the Forklift and remove the batteries from the remote. Put batteries back into the remote.
 2. Press and hold the code button on the remote while turning on the forklift.
 3. When the remote begins to flash, release the code button. The remote should now be paired
- * If the remote control lights flash when pressing any button then replace the batteries.

1. HORN

Press for horn sound, hold to decrease volume

2. MUSIC

Press for music tracks, hold to increase volume

3. SPEED

Press to change speed modes.

- 1 Light = Slow
- 2 Lights = Medium
- 3 Lights = Fast

4. BRAKE

Stops the vehicle

5. FORWARD

Moves vehicle forward

6. BACKWARD

Moves vehicle backward

7. UP

Lifts the fork load

8. RIGHT

Turns the vehicle right

9. LEFT

Turns the vehicle left

10. DOWN

Lowers the fork load



1. LIGHTS

Turns lights on/off

2. MUSIC PLAYER

Plays sounds, music, mp3 and shows battery life

3. HORN

Press for horn sound, hold to decrease volume

4. STEERING WHEEL

Rotate wheel to turn the vehicle left and right

5. MUSIC

Press to play music tracks; hold to increase volume

6. POWER ON/OFF

Press to power vehicle on/off

7. THROTTLE/REVERSE

Push up for forward
Pull down for reverse

8. FORK LOAD UP/DOWN

Pull down to lower load
Push up to lift load

9. GAS PEDAL

Press to accelerate vehicle.

RIDING YOUR HOVER-1 MY FIRST FORKLIFT

Ensure your Hover-1 My First Forklift is fully assembled and correctly installed with screws secured tightly in place. Failure to do so may result in serious bodily harm/death and damage to the vehicle.

After reviewing the pre-ride checklist, follow the steps below to begin riding your Hover-1 My First Forklift.

1. Turn on your vehicle by pressing the power button.
2. Sit in Hover-1 My First Forklift and place feet onto foot rests.
3. Firmly grip the steering wheel, place feet onto gas pedal and slowly push up on the left handle to accelerate.
4. To reverse, slowly pull down left handle.
5. Push up on right lever to lift the fork upwards.
6. Pull down on right lever to lower the fork downwards.
7. Press left most button on steering wheel to sound the horn.

CARE & MAINTENANCE

- Only use the charger and battery specified by the manufacturer.
- Before charging, check the charger, battery and plug for any damage. If anything is damaged, stop using the vehicle until it is repaired.
- Do not turn the vehicle on while charging and don't turn the battery upside down
- While charging, the charger will warm up. If the charger does not warm up, the charger, battery or circuit may have failed.

1. Before use, parents should check whether the main parts are in good condition, whether the battery, wires and other parts are damaged. Also check to ensure all screws are tight, and that there are no potential safety hazards. If any damage is found, stop using the vehicle until all damage is repaired.

2. If the remote control is not used for an extended period of time, it is recommended that you remove the batteries to avoid battery leakage, corrosion of circuit board and/or damage to remote control.

3. Check the battery, charger and wires for damage before charging. If any damage is found, stop using the product until it is repaired.

4. The vehicle should be parked indoors or covered with waterproof tarp to avoid water damage.

CARE & MAINTENANCE CONTINUED

5 Vehicles should be kept away from direct heat, such as furnaces and heaters. Plastic parts may melt. When charging, keep away from flammable materials to prevent fire.

6. Charge the battery immediately after use. The charging must be done by adults. Fully charge the battery before storing away for extended periods of time. Pull out the red main line and charge once a month to prolong the battery life.

7. Use dry soft cloth to wipe the vehicle, or use non wax furniture polish to wipe plastic parts to achieve smooth surface effect. Do not use chemical solvent to wipe the plastic parts of vehicle. Do not clean the vehicle with soap and water. Do not drive the vehicle in rainy or snowy weather. Water will damage the motor, circuit system and battery.

8. When vehicle is not in use be sure to turn off the power and turn all switches to the "stop" or "off" position.

9. All repairs should be performed by or directed by a professional.

PRE-RIDE HOVER-1 MY FIRST FORKLIFT CHECKLIST

Ensure that your Hover-1 My First Forklift is in proper working order each and every time you ride. If a part of the Hover-1 My First Forklift does not function correctly, please contact our Customer Support Center.

- Ensure the battery of your vehicle is fully charged before riding your Hover-1 My First Forklift.
- Ensure that the screws on the Hover-1 My First Forklift wheels are locked firmly before each ride.

HOVER-1 MY FIRST FORKLIFT OPERATION

It is important that you fully understand all elements of your Hover-1 My First Forklift. If these elements are not used correctly, you will not have full control of your Hover-1 My First Forklift. Before you drive with a child inside the vehicle learn the functions of the various mechanisms on your Hover-1 My First Forklift.

HOVER-1 MY FIRST FORKLIFT WARNINGS

1. When operating the vehicle remotely, the distance between children and adults should not exceed 33 feet.
2. The remote control is meant to be used by adults only. Keep out of reach of children.
3. Before operating the vehicle by remote control read the manual carefully. Practice using the remote control with the vehicle empty. Only after getting familiar with the controls should a child ride in the vehicle.
4. Keep off of public roads. This remote controlled vehicle is prohibited to share roads with motor vehicles.
5. Keep the remote control away from moisture and rain to avoid water damage.
6. Batteries should only be charged under adult supervision.
7. Dead batteries should be removed and properly recycled.
8. Replace the remote control batteries if vehicle fails to operate at a distance of less than 9 feet between operator and vehicle.

CAUTION: RIDING IN WET WEATHER

Do not ride your Hover-1 My First Forklift in wet weather, as there are electronic components in your vehicle that may be damaged if exposed to water or moisture.

BEFORE RIDING

WARNING

Any vehicle that does not work properly can cause you to lose control and fall. Inspect the entire forklift thoroughly before every ride, and do not ride it until any problems have been corrected.

WARNING

Do not ride a Hover-1 My First Forklift with a part that is damaged; replace the damaged part before riding.

1. It is strictly forbidden to use this product on roads and highways, unless your local laws state otherwise. You must wear a safety helmet, knee and elbow pads and other necessary protective gear when riding your Hover-1 My First Forklift.
2. Due to the particularity of the product, the assembly pieces are to be checked before every ride to avoid an accident while riding.
3. Do not make sharp turns as you may drift and overturn the Hover-1 My First Forklift which can result in injury to yourself and/or damage the unit.

 **WARNING:**

To reduce the risk of injury, adult supervision is required. Never use in roadways, near motor vehicles, on or near steep inclines or steps, swimming pools or other bodies of water; always wear shoes, and never allow more than one rider.

FCC STATEMENT

This device complies with part 15 of the FCC Rules. Operation is subject to the following two conditions:

(1) This device may not cause harmful interference, and (2) this device must accept any interference received, including interference that may cause undesired operation.

Please note that changes or modifications not expressly approved by the party responsible for compliance could void the user's authority to operate the equipment.

FCC INSTRUCTIONS FOR A CLASS B DIGITAL DEVICE OR PERIPHERAL

Note: This equipment has been tested and found to comply with the limits for a Class B digital device, pursuant to part 15 of the FCC Rules. These limits are designed to provide reasonable protection against harmful interference in a residential installation. This equipment generates, uses and can radiate radio frequency energy and, if not installed and used in accordance with the instructions, may cause harmful interference to radio communications. However, there is no guarantee that interference will not occur in a particular installation. If this equipment does cause harmful interference to radio or television reception, which can be determined by turning the equipment off and on, the user is encouraged to try to correct the interference by one or more of the following measures:

- Reorient or relocate the receiving antenna.
- Increase the separation between the equipment and receiver.
- Connect the equipment into an outlet on a circuit different from that to which the receiver is connected.
- Consult the dealer or an experienced radio/TV technician for help.

FCC ID: 2AANZFLFT

WARRANTY

For warranty information, Please visit us at:
www.hover-1.com

Replacement parts may be
available for purchase at www.hover-1.com.
Parts availability is not guaranteed.

Manufacturer: DGL Group, Ltd.
195 Raritan Center Parkway Edison, NJ 08837

