



Internet Hotspot Kits for Hotels and Motels



All motels and hotels provide wireless Internet access as part of a package of essential guest services.

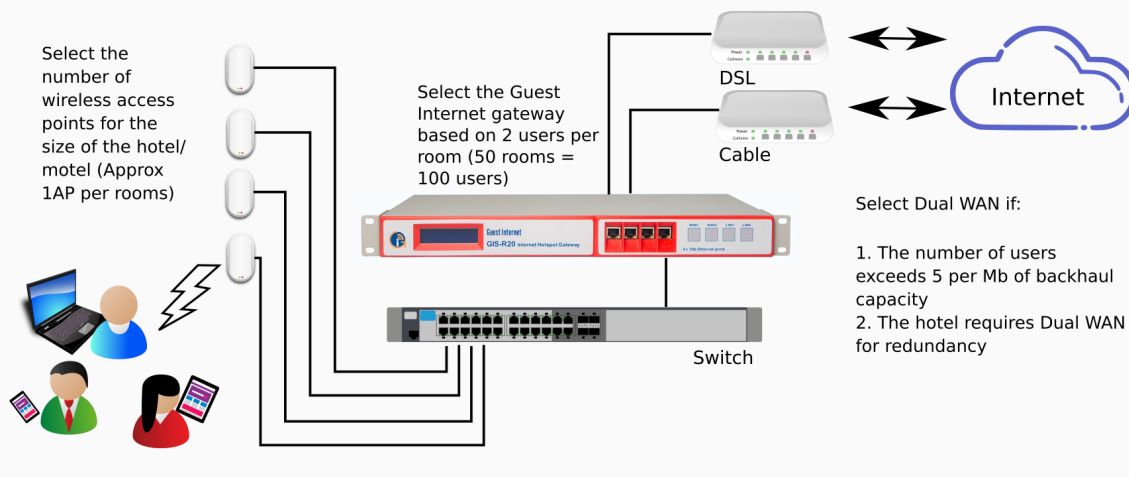
While some high-end hotels and resorts still charge guests extra for the Internet service, most motels and hotels offer free WiFi Internet for guests to use their laptops, smartphones and tablets.

Most motel and hotel owners give free WiFi Internet but see the service as an unavoidable expense. However by installing a Guest Internet gateway the Internet can become a business advantage.

Guest Internet gateways prevent abuse by controlling data speeds and by filtering Internet content. Internet guest speed controls ensure that the service is shared equally among guests to eliminate complaints about slow Internet speeds. The most important feature is the ability to block illegal downloads and prevent guests sharing copyrighted music and video files.

Protect your business from Internet dangers: stop guests sharing copyrighted files to ensure you don't get a DMCA notice and your Internet service disconnected. Many motel and hotel owners have already received DMCA Notices because a hotel guest was identified sharing a copyrighted file.

A Guest Internet gateway can be used to block Websites or block website categories. You can also increase page views of the business Website using the Guest Internet custom login page feature.



Guest Internet manufactures Internet gateway products that meet the needs of a small motel to a large resort.

For very large installations or hotel chains, multiple gateways can be installed and managed via the Cloud as one large virtual gateway.

Our hotel and motel kits offer a very economical approach to install a new hotspot, or refurbish an existing installation.

Bill of materials for your hotel and motel hotspot kits

Internet Hotspot kits for hotels and motels

Up to 50 rooms

GIS-R4

5 wireless access points
8-port switch



50 to 100 rooms

GIS-R6 or GIS-R10 (Dual WAN)

8 wireless access points
16-port switch



100 to 250 rooms

GIS-R20 (Dual WAN)

15 wireless access points
24-port switch



250 to 500 rooms

GIS-R40 (Quad WAN)

30 wireless access points
48-port switch



We manufacture a range of hotspot products that offer the exact price / performance for any type of Internet business. Do you have special requirements for your Internet Hotspot? Our technical support staff will be glad to help you with a solution that meets your specific requirements. We can also provide a custom login page service based on your business web site. Please see our web site: www.guest-internet.com for product data sheets and manuals.