

# TLS RF Wireless 2 System (W2)

## Installation and Maintenance Guide

# Notice

---

Veeder-Root makes no warranty of any kind with regard to this publication, including, but not limited to, the implied warranties of merchantability and fitness for a particular purpose.

Veeder-Root shall not be liable for errors contained herein or for incidental or consequential damages in connection with the furnishing, performance, or use of this publication.

Veeder-Root reserves the right to change system options or features, or the information contained in this publication.

This publication contains proprietary information which is protected by copyright. All rights reserved. No part of this publication may be photocopied, modified or translated to another language without the prior written consent of Veeder-Root.

Contact TLS Systems Technical Support for additional troubleshooting information at 800-323-1799.

## **DAMAGE CLAIMS / LOST EQUIPMENT**

Thoroughly examine all components and units as soon as they are received. If any cartons are damaged or missing, write a complete and detailed description of the damage or shortage on the face of the freight bill. The carrier's agent must verify the inspection and sign the description. Refuse only the damaged product, not the entire shipment.

Veeder-Root must be notified of any damages and/or shortages within 30 days of receipt of the shipment, as stated in our Terms and Conditions.

## **VEEDER-ROOT'S PREFERRED CARRIER**

1. Contact Veeder-Root Customer Service at 800-873-3313 with the specific part numbers and quantities that were missing or received damaged.
2. Fax signed Bill of Lading (BOL) to Veeder-Root Customer Service at 800-234-5350.
3. Veeder-Root will file the claim with the carrier and replace the damaged/missing product at no charge to the customer. Customer Service will work with production facility to have the replacement product shipped as soon as possible.

## **CUSTOMER'S PREFERRED CARRIER**

1. It is the customer's responsibility to file a claim with their carrier.
2. Customer may submit a replacement purchase order. Customer is responsible for all charges and freight associated with replacement order. Customer Service will work with production facility to have the replacement product shipped as soon as possible.
3. If "lost" equipment is delivered at a later date and is not needed, Veeder-Root will allow a Return to Stock without a restocking fee.
4. Veeder-Root will NOT be responsible for any compensation when a customer chooses their own carrier.

## **FCC INFORMATION**

This equipment complies with the requirements in Part 15 of the FCC rules for a Class A computing device. Operation of this equipment in a residential area may cause unacceptable interference to radio and TV reception requiring the operator to take whatever steps are necessary to correct the interference.

## **RETURN SHIPPING**

For the parts return procedure, please follow the appropriate instructions in the "General Returned Goods Policy" pages in the "Policies and Literature" section of the Veeder-Root **North American Environmental Products** price list. Veeder-Root will not accept any return product without a Return Goods Authorization (RGA) number clearly printed on the outside of the package.

## **FOR INSTALLATIONS IN THE STATE OF CALIFORNIA**

Please refer to the California Air Resources Board Vapor Recovery Certification Phase II EVR Executive Order web site ([www.arb.ca.gov/vapor/eo-evrphasell.htm](http://www.arb.ca.gov/vapor/eo-evrphasell.htm)) for the latest manual revisions pertaining to Executive Order VR202 (Healy Phase II EVR System Including ISD System), VR 203 (VST Phase II EVR System) and VR 204 (VST Phase II EVR System Including ISD System).

<b>Introduction</b>	
Procedures Contained Within This Manual .....	1
Contractor Certification Requirements .....	2
RF Transmitter Considerations .....	2
Related Documents .....	3
Product Marking Information .....	3
Related Documents .....	3
Safety Warnings .....	5
Safety Symbols .....	5
General Precautions .....	6
General Precautions.....	6
Special Tools Required .....	6
National Electrical Code Compliance .....	6
TLS RF-To-TLS Console Wiring.....	7
TLS RF AC Power Wiring.....	7
TLS RF Wireless System Site Layout .....	8
<b>Equipment Dimensions.....</b>	<b>9</b>
<b>Pre-Installation Component Setup and Functional Check .....</b>	<b>11</b>
<b>TLS RF Installation</b>	
Selecting A Location .....	14
Mounting the TLS RF .....	14
Wiring the TLS RF .....	14
<b>Wireless Component Installation</b>	
Transmitter Installation .....	22
Mag Probe Sump.....	22
Mag Sump Sensor Installation - STP Sump .....	27
Mag Sump Sensor Installation - Dispenser Pan Sump .....	27
Vapor Return Pressure Sensor Installation .....	29
Dispenser Installation Example .....	29
Vent Stack Installation Example .....	30
<b>ISD Component Installation</b>	
Vapor Flow Meter Installation - Dispenser .....	32
Carbon Canister Vapor Polisher Installation .....	34
Connecting Cables To The Transmitter .....	38
Receiver Installation .....	40
Repeater Installation .....	43
<b>Network Setup</b>	
Hardware Overview .....	45
Identifying Devices in the TLS RF Wireless Site Network .....	46
Entering Device Numbers for the Site Network .....	46
Transmitter Device Number.....	46
Transmitter Transmission Schedule Number .....	46
TLS RF Device Number .....	47
Entering the Site ID Number .....	48
Site Startup Procedure .....	49
Initial TLS Console Setup Procedure .....	49

**Diagnostics**

Alarms .....	50
Battery Diagnostics .....	50
Wireless Sensor Diagnostic Menu (TLS-350 Consoles) .....	50

**Background Information On TLS RF Wireless System**

Antenna Propagation Basics .....	52
Antenna Operation .....	52
Free Space Loss .....	52
Attenuation .....	52
Scattering .....	52
Radio Line Of Sight .....	52
Interference .....	53
RF Device Troubleshooting .....	53
DEV column.....	54
TXID Column.....	54
STATE Column.....	54
REASON Column.....	54
NO_CNST .....	54
NO_DATA.....	55
TIMEOUT .....	55
NO_READ .....	55
TYPE and SN Columns.....	55
TOTL COMMS.....	55
REPT COMMS Column.....	55
LAST COMM Column.....	55
TLS-RF Wireless Troubleshooting .....	55
Single Device Out.....	56
Multiple or All Devices Out .....	56
Receiver .....	57
Resetting Data in the TLS RF.....	57

**Appendix A: Site Survey for Wireless Probes****Appendix B: Regulatory Information****Appendix C: Device DIP Switch Settings****Appendix D: Lithium Battery Safety Data****Figures**

Figure 1.	Example TLS RF Wireless Site Layout .....	8
Figure 2.	TLS RF Dimensions And Designated Conduit Knockouts .....	9
Figure 3.	Wireless Component Dimensions .....	10
Figure 4.	Connecting Wiring To Device Terminal Blocks .....	11
Figure 5.	Wiring The Battery Cable To The Transmitter.....	12
Figure 6.	Wiring AC Power To The TLS RF .....	15
Figure 7.	Wiring Receiver To The TLS RF .....	16
Figure 8.	Connecting RS-485 Wiring.....	17
Figure 9.	Power Connections To A Daisy Chained TLS RFs .....	18
Figure 10.	RS-485 Cable Connections When Daisy Chaining Two TLS RFs .....	19
Figure 11.	Wiring Data Outputs From TLS RF To TLS Consoles .....	20
Figure 12.	TLS RF Diagnostic LEDs And Switch Locations .....	21

Figure 13. Attaching Hangers To Battery Pack Support Bracket .....22

Figure 14. Attaching Conduit Clamps To Battery Pack Support Bracket .....23

Figure 15. Attaching Conduit Clamps To Transmitter Housing .....23

Figure 16. Installing Transmitter Support Conduit .....24

Figure 17. Installing Transmitter Onto Support Conduit .....25

Figure 18. Mag Probe Installation Example.....26

Figure 19. Attaching Transmitter To Battery Support Bracket.....27

Figure 20. Example Transmitter Installation In Dispenser Sump .....28

Figure 21. Example VRPS Transmitter Installation In Dispenser .....29

Figure 22. VRPS Mounted In Universal Enclosure On The Vent Stack .....30

Figure 23. Example VRPS Transmitter/battery Pack Installation In  
The Universal Enclosure .....31

Figure 24. Attaching Transmitter To Battery Support Bracket.....32

Figure 25. Example VFM Transmitter Installation In Dispenser .....33

Figure 26. Example CCVP iNstallation Bracket And Universal Enclosure  
On Vent Stack .....35

Figure 27. Example CCVP Transmitter/battery Pack Installation In  
The Universal Enclosure .....36

Figure 28. Attaching Transmitter Cable To CCVP.....37

Figure 29. Connecting Input Wiring To Transmitter Terminal Blocks .....38

Figure 30. Wiring The Transmitter.....39

Figure 31. Attaching Mounting Bracket To Receiver Or Repeater .....41

Figure 32. Wiring The Receiver.....42

Figure 33. Wiring The Repeater .....44

Figure 34. Example Site Network Diagram .....45

Figure 35. Device Battery Status In TLS-350 SmartSensor Diagnostic Menu .....51

Figure 36. Laptop To TLS RF Example Connections.....53

Figure 37. Example 315 Command Response.....54

Figure C-1. TLS-RF Switch Settings ..... 1

Figure C-2. S1/S2 DIP switch Locations in the Transmitter, Receiver  
and Repeater.....2

Figure C-3. Transmitter Enable Settings - S1 .....3

Figure C-4. Setting Transmitter Device Number - S1.....3

Figure C-5. Probe Transmitter Interval Settings - S2 .....4

Figure C-6. Mag Sump Sensor Transmitter Interval Settings - S2 .....4

Figure C-7. CCVP Transmitter Interval Settings - S2.....4

Figure C-8. Vapor Pressure Sensor Transmitter Interval Settings - S2 .....4

Figure C-9. Vapor Flow Meter Transmitter Interval Settings - S2 .....5

Figure C-10. Site ID Settings for All Transmitters, Receiver and Repeater - S2.....5

## Tables

Table 1. Wireless 2 Devices Per TLS Console ..... 1

## Introduction

This manual describes site preparation and installation procedures for the Veeder-Root TLS RF Wireless 2 System (W2) for standard tank monitoring and leak detection<sup>1</sup> applications in which in-ground device wiring is either impractical or non-existent. The TLS RF Wireless 2 System (W2) features two-way communication utilizing a client/server architecture resulting in improved data collection.

Veeder-Root strongly recommends the use of hard wiring for connecting Veeder-Root probes and sensors to the TLS Console. Wired connections provide a robust communication link that is far superior to wireless networks.

A wide variety of devices can be integrated into the TLS RF Wireless 2 System (W2) network depending on the console(s) installed as shown in Table 1. For example, a TLS-350 Console can interface with 16 wireless probes and 16 wireless sump sensors.

**Table 1. Wireless 2 Devices Per TLS Console**

Console	Wireless Device						Total Number of Wireless Devices per TLS console
	8463, 8563, 8462 Mag Plus Probe	Mag XL or Mag Flex Probe	8570 Mag Sump Sensor	Vapor Return Pressure Sensor	Vapor Flow Meter	Carbon Canister Vapor Polisher	
8470 TLS-350	Up to 16	Up to 16	Up to 32				32
8482 TLS-350R	Up to 16	Up to 16	Up to 32	2	Up to 32	3	32
8485 TLS-300	Up to 8	Up to 8					8
8560 TLS2/ TLS2P	Up to 6	Up to 6					6
8600 TLS-450	Up to 16	Up to 16	Up to 32				32
8601 TLS-4	Up to 12	Up to 12	Up to 12				12
8603 TLS-XB	Up to 16	Up to 16	Up to 32				32

### Procedures Contained Within This Manual

- Mounting the TLS RF and connecting power wiring.
- Installing Receiver, Repeater and Transmitters.
- Connecting the TLS RF to the TLS console.

1. Certified SLD (Static) & CSLD (Continuous) Leak Detection for tanks and Mag Sump Sensor monitoring, where ambient interference is not a factor.

After installing the TLS RF Wireless System devices, you must configure the probes and sensors in the console following instructions contained in the applicable TLS console's System Setup Manual.

## Contractor Certification Requirements

---

Veeder-Root requires the following minimum training certifications for contractors who will install and setup the equipment discussed in this manual:

**Installer (Level 1) Certification:** Contractors holding valid Installer Certification are approved to perform wiring and conduit routing; equipment mounting; probe, sensor and carbon canister vapor polisher installation; wireless equipment installation; tank and line preparation; and line leak detector installation.

**ATG Technician (Level 2/3 or 4) Certification:** Contractors holding valid ATG Technician Certifications are approved to perform installation checkout, startup, programming and operations training, system tests, troubleshooting and servicing for all Veeder-Root Series Tank Monitoring Systems, including Line Leak Detection. In addition, Contractors with the following sub-certification designations are approved to perform installation checkout, startup, programming, system tests, troubleshooting, service techniques and operations training on the designated system.

- Wireless 2
- Tall Tank

**VR Vapor Products Certification:** Contractors holding a certification with the following designations are approved to perform installation checkout, startup, programming, system tests, troubleshooting, service techniques and operations training on the designated system.

- ISD – In Station Diagnostics
- PMC – Pressure Management Control
- CCVP - Veeder-Root Vapor Polisher
- Wireless – ISD/PMC Wireless
- A current Veeder-Root Technician Certification is a prerequisite for the VR Vapor Products course.

**Warranty Registrations** may only be submitted by selected distributors.

## RF Transmitter Considerations

---

Installation of this equipment in wet or below grade locations requires that the installer take steps to ensure that the equipment is mounted above the maximum water level.



**CAUTION! – The Transmitter will not function properly in water. Also, submersion of the Transmitter in water can cause permanent damage to the internal electronics.**

**Wireless 2 devices will not function properly if certain conditions arise such as, but not limited to, the following:**

- **Ambient Interference – Due to site layout or vehicles parked in the RF transmission path. For example, CSLD will not function if the transmission path is blocked for more than a few minutes.**
- **Improper equipment installation – Keep objects from improperly coming in contact with the antenna. Follow these installation instructions and mount the transmitter in a fixed position to ensure maximum RF connectivity. Antenna orientation is significant in achieving an optimal transmission path.**
- **Equipment Sump Parameters – Sumps intended for use with RF equipment must accommodate the worst case rainfall condition that could reasonably occur. The RF Transmitter and antenna are weatherproof but will not function properly underwater.**

TLS System performance will be degraded should any of the above conditions occur and is not covered under the Veeder-Root Product Warranty. Corrective actions to such conditions are the responsibility of the station-site owner. Veeder-Root is not liable for any event that is a result of an improper installation or use of this equipment.

It is important that installers have knowledge of all relevant procedures before installing a wireless system. Read and understand all manuals thoroughly. If you do not understand a procedure, contact a certified contractor or contact Veeder-Root. Each TLS Console has its own setup and installation manuals.

## Related Documents

577014-011	Vapor Pressure Sensor Installation Guide
577014-019	Vapor Pressure Sensor for Vent Stacks Installation Guide
577013-796	ISD Vapor Flow Meter Installation Guide
577013-920	Carbon Canister Vapor Polisher Installation and Maintenance Guide
576013-623	TLS-3XX System Setup Manual
577013-972	Mag-XL Probe Installation Manual
577014-037	Mag Flex Probe Installation Guide
331940-012	TLS RF System Control Drawing

## Product Marking Information

### RELATED DOCUMENTS

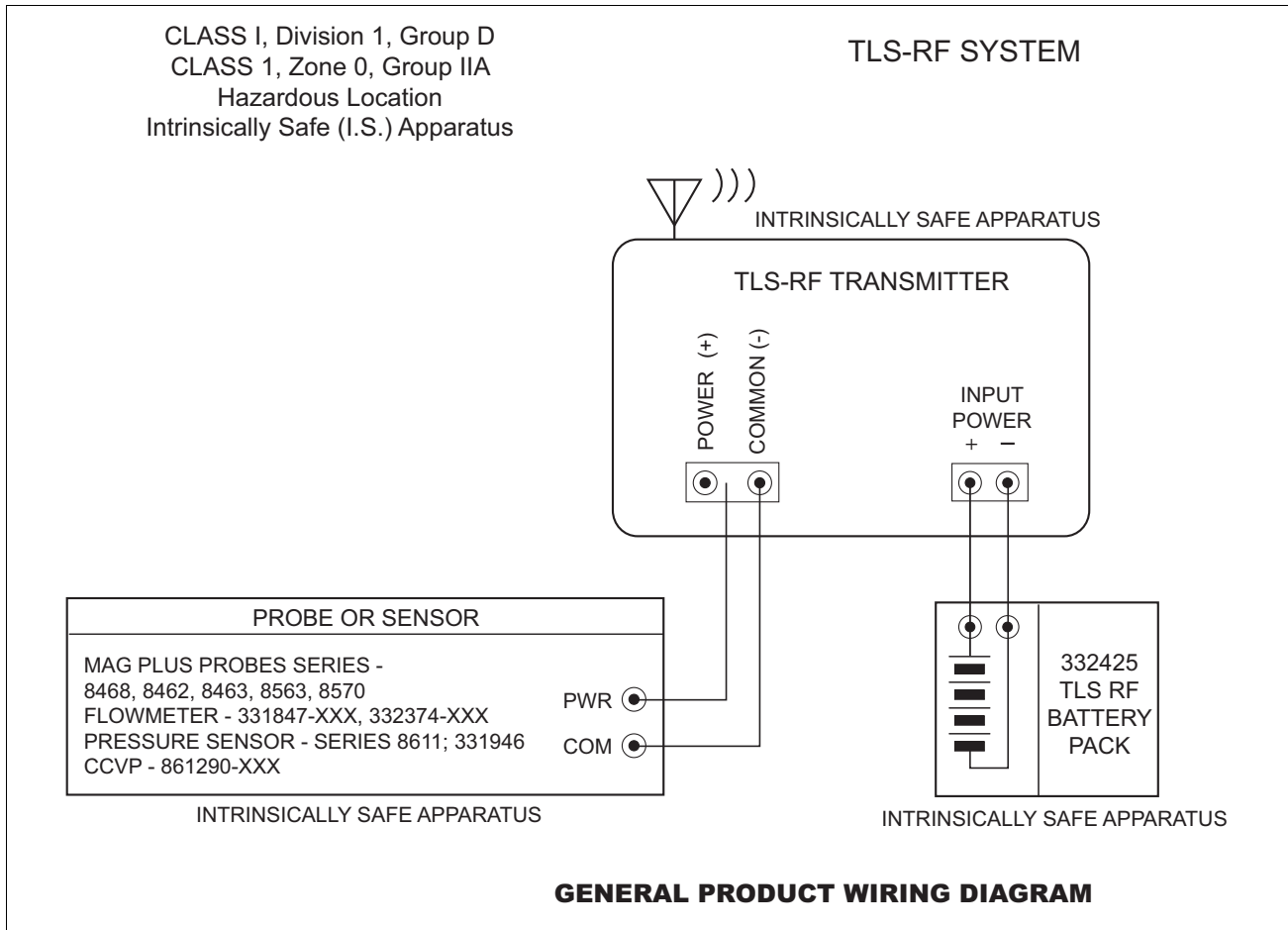
#### **Documents Required to Install Equipment**

This intrinsically safe apparatus is only for use as part of a Veeder-Root Automatic Tank Gauging System (ATG Console with probes and sensors). To install intrinsically safe apparatus, use the specific control drawing that appears on the nameplate of the applicable associated apparatus (ATG Console):



Equipment	UL/cUL Control Drawing Document No.
<b>Associated Apparatus</b>	
TLS-450/8600	331940-008
TLS-350, TLS-350R	331940-011
TLS-300	331940-013
TLS-50 or TLS2 or TLS-IB	331940-014
TLS4/8601	331940-018
TLS-XB/8603	331940-019
<b>Intrinsically Safe Apparatus for Wireless Applications</b>	
Tank Gauge Accessories	331940-012

The control drawings contain information related to the correct installation of the overall intrinsically Safe System. This includes information such as maximum number of apparatus, specific apparatus allowed in the system, maximum cable lengths, references to codes, proper grounding and so on. Control drawings can be found on the accompanying Compact Disk (TECH DOCS CD) or on the internet at [veeder.com](http://veeder.com) under SUPPORT; VR TECHNICAL DOCUMENTS; DRAWINGS.










**Product Label Contents**

	<p>I.S. CIRCUIT FOR HAZLOC DEVICE</p> <p>F/N XXXXXX-XXX</p> <p>S/N XXXXXX</p> <p>-40°C ≤ Ta ≤ +60°C</p> <p>MANUAL NO. 577013-964</p>	<p>2466</p> 
<p>CL I, DIV. 1, GP.D</p> <p>CL I, ZONE 0</p> <p>AEx ia IIA</p> <p>Ex ia IIA</p> <p>TC=T4</p> <p>SECURITE INTRINSEQUE</p>		

## Safety Warnings





To protect yourself and your equipment, observe the following warnings and important information:




<b>⚠ WARNING</b>	
    	<p>This product is to be installed in systems operating near locations where highly combustible fuels or vapors may be present.</p> <p><b>FAILURE TO COMPLY WITH THE FOLLOWING WARNINGS AND SAFETY PRECAUTIONS COULD CAUSE DAMAGE TO PROPERTY, ENVIRONMENT, RESULTING IN SERIOUS INJURY OR DEATH.</b></p> <ol style="list-style-type: none"> <li>1. Read and follow all instructions in this manual, including all safety warnings to protect yourself and others from serious injury, explosion, or electrical shock.</li> <li>2. Comply with all applicable codes including: the National Electrical Code; federal, state, and local codes; and other applicable safety codes.</li> <li>3. To protect yourself and others from being struck by vehicles, block off your work area during installation or service.</li> <li>4. Do not alter or modify any component or substitute components in this kit.</li> <li>5. <b>Warning!</b> Substitution of components may impair intrinsic safety.</li> <li>6. Field wiring to the Probe must not share a conduit with any non-intrinsically safe device's wiring.</li> <li>7. <b>Warning!</b> To prevent ignition of flammable or combustible atmospheres, disconnect battery before servicing.</li> <li>8. Materials used in the construction of this device contain aluminum. Care must be taken to avoid ignition hazards due to impact or friction.</li> <li>9. Before installing or taking the unit into a hazardous area, earth the unit in a safe area to remove any static charge. Then immediately transport the unit to the installation site. Do not rub or clean the unit prior to installation. Cleaning is not required under normal service conditions. Do not rub or clean the unit after installation. If the unit is not fixed to a known earth point when installed, ensure that a separate earth connection is made to prevent the potential of a static discharge. When fitting or removing the unit, use of anti-static footwear or clothing is required.</li> </ol>

**NOTE** Failure to install this product in accordance with its instructions and warnings will result in voiding of all warranties with this product.

## Safety Symbols

The following safety symbols may be used throughout this manual to alert you to important safety hazards and precautions.

 <p><b>EXPLOSIVE</b> Fuels and their vapors are extremely explosive if ignited.</p>	 <p><b>FLAMMABLE</b> Fuels and their vapors are extremely flammable.</p>
 <p><b>ELECTRICITY</b> High voltage exists in, and is supplied to, the device. A potential shock hazard exists.</p>	 <p><b>TURN POWER OFF</b> Live power to a device creates a potential shock hazard. Turn Off power to the device and associated accessories when servicing the unit.</p>

 <p><b>WARNING</b> Heed the adjacent instructions to avoid damage to equipment, property, environment or personal injury.</p>	 <p><b>READ ALL RELATED MANUALS</b> Knowledge of all related procedures before you begin work is important. Read and understand all manuals thoroughly. If you do not understand a procedure, ask someone who does.</p>
 <p><b>SAFETY BARRICADES</b> Unauthorized people or vehicles in the work area are dangerous. Always use safety cones or barricades, safety tape, and your vehicle to block the work area.</p>	

## General Precautions

Retain and follow all product safety and operating instructions. Observe all warnings on the product and in the operating instructions. To reduce the risk of bodily injury, electric shock, fire, or damage to the equipment, observe the following precautions.



**FAILURE TO COMPLY WITH THE FOLLOWING WARNINGS AND SAFETY PRECAUTIONS COULD CAUSE DAMAGE TO PROPERTY, ENVIRONMENT, RESULTING IN SERIOUS INJURY OR DEATH.**

### GENERAL PRECAUTIONS

Heed service markings: Opening or removing the console cover may expose you to electric shock. Servicing of Veeder-Root equipment must be done by Veeder-Root authorized service contractors.

Use product with approved equipment: This product should be used only with Veeder-Root components identified as suitable for use with the TLS RF Wireless System.

Use the correct external power sources: This product should be operated only from the type of power sources indicated on the electrical ratings labels affixed to the components. If you are not sure of the type of power source required, consult your Veeder-Root authorized service contractor.

When not in use, a longer battery life can be achieved by keeping the battery pack in a cool, dry location where the temperature never exceeds 30°C or 86°F and does not go below 10° C or 50° F.

### SPECIAL TOOLS REQUIRED

- #15 Torx screwdriver
- Small blade screwdriver (maximum blade width 3/32")
- Wire strippers
- Laptop computer, RS-232 serial communication cable (TLS RF has a female DB9 connector), and terminal mode software may be necessary for troubleshooting.

### National Electrical Code Compliance

The following information is for general reference and is not intended to replace recommended National Electric Code (NEC) procedures. It is important for the installer to understand that electrical equipment and wiring located in Class I, Division 1 and 2 installations shall comply with the latest appropriate articles found in the National Electric Code (NFPA 70) and the Code for Motor Fuel Dispensing Facilities and Repair Garages (NFPA 30A), or other local code such as the CEC, Canadian Electrical Code.

## **TLS RF-TO-TLS CONSOLE WIRING**

### **Wire Type**

To ensure the best operating systems available, Veeder-Root **REQUIRES** the use of shielded cable for probe outputs regardless of conduit material or application. In these installations, shielded cable must be rated less than 100 picofarad per foot, inductance does not exceed 0.2  $\mu\text{H}/\text{foot}$  and be manufactured with a material suitable for the environment, such as Carol™ C2534 or Belden™ 88760, 8760, or 8770.

### **Wire Length**

Improper system operation could result in undetected potential environmental and health hazards if the TLS RF-to-TLS Console wire runs exceed 1000 feet. Wire runs must be less than 1000 feet to meet intrinsic safety requirements.

### **Splices**

Veeder-Root recommends that a minimum number of splices are used in the wire run between the TLS RF and the TLS Console. Each splice degrades signal strength and could result in poor system performance.

### **Wire Gauges - Color coded**

Shielded cable must be used in all installations. TLS RF-to-TLS Console wires must be #14 to #18 AWG stranded copper wire and installed as a Class 1 circuit.

### **Alternate Method**

When approved by the local authority having jurisdiction, 22 AWG wire such as Belden 88761 may be suitable in installations with the following provisions:

- Wire run is less than 750 feet
- Capacitance does not exceed 100 pF/foot
- Inductance does not exceed 0.2  $\mu\text{H}/\text{foot}$

## **TLS RF AC POWER WIRING**

Wires carrying 120 or 240 Vac from the power panel to the TLS RF must be at least #14 AWG copper wire for line, neutral and chassis ground (3); and #12 AWG copper wire for barrier ground (1).

NOTE: Note: See page 43 for details of Repeater Power Wiring.

## TLS RF Wireless System Site Layout

Figure 1 illustrates an example TLS RF Wireless System installation. The Repeater component may be required if the system Receiver, mounted on building's outside wall, has difficulty receiving signals from any of the Transmitters. See page 43 for Repeater installation.

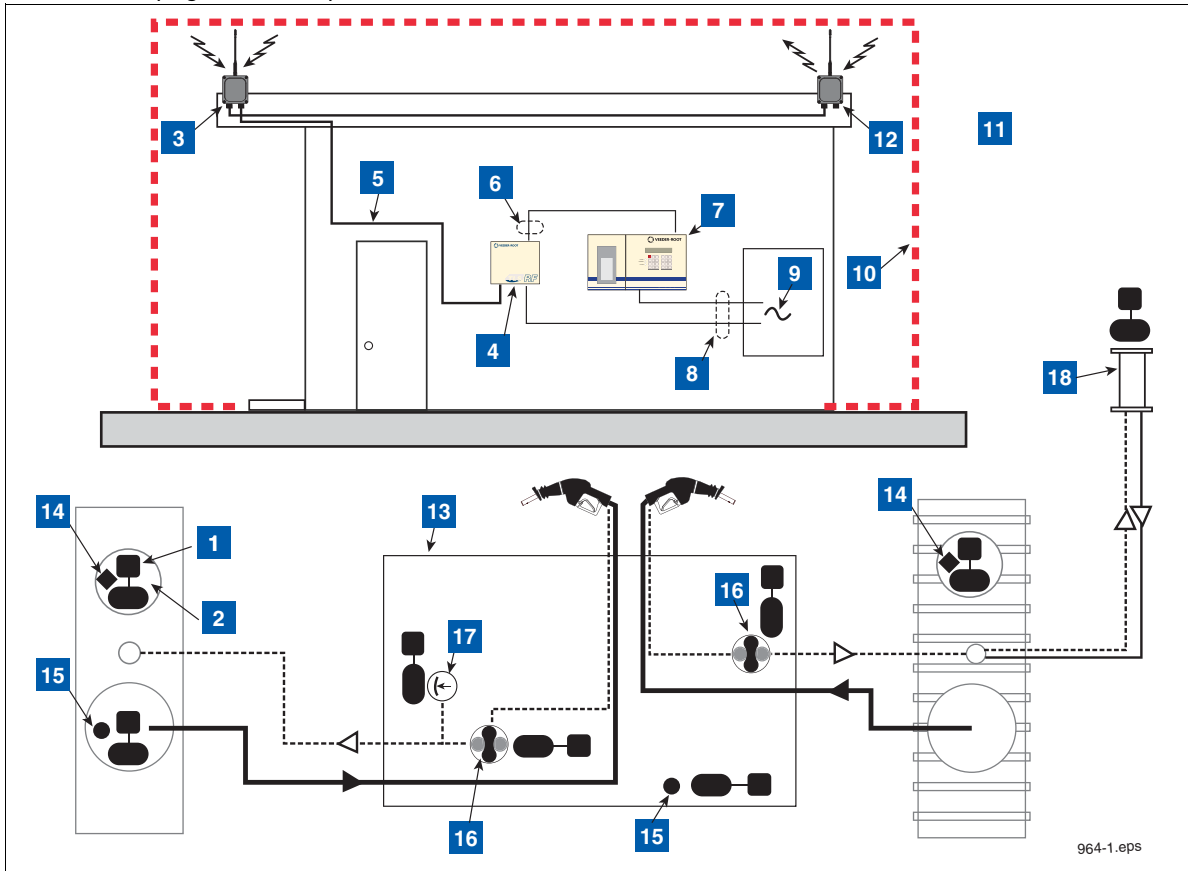


Figure 1. Example TLS RF Wireless Site Layout

### LEGEND FOR NUMBERED BOXES IN Figure 1

To be installed in accordance with the National Electrical Code, NFPA 70 and the Code for Motor Fuel Dispensing Facilities and Repair Garages (NFPA 30A), or other local codes such as the CEC, Canadian Electrical Code.

**WARNING! Substitution of components may impair intrinsic safety.**

Circuitry within the console barrier forms an intrinsically safe, energy-limited system. This system is intrinsically safe for use in a Class I, Group D hazardous location.

1. Battery Pack
2. Transmitter
3. Receiver (1 per RF System)
4. TLS-RF
5. RS-485 Cable (Belden #3107A or equiv.)
6. NOTE: Intrinsically safe wiring shall be installed in accordance with Article 504-20 of the NEC, ANSI/ NFPA 70. Max probe/sensor cable length 1000 ft. (304 m).
7. TLS console (Vm = 250 V)
8. Conduit that enters power wiring knockout.
9. 120 or 230 Vac from power panel
10. Non-hazardous area
11. Hazardous area (Class I, Div. 1, Group D)
12. Repeater (1 per RF System)
13. Dispenser sump
14. Mag probe
15. Sump sensor (w/Transmitter & Battery Pack)
16. Vapor Flow meter (w/Transmitter & Battery Pack)
17. Vapor Return Pressure Sensor (w/Transmitter & Battery Pack)
18. Carbon Canister Vapor Polisher (w/Transmitter & Battery Pack)



# Equipment Dimensions

Dimensions of the TLS RF are shown in Figure 2.

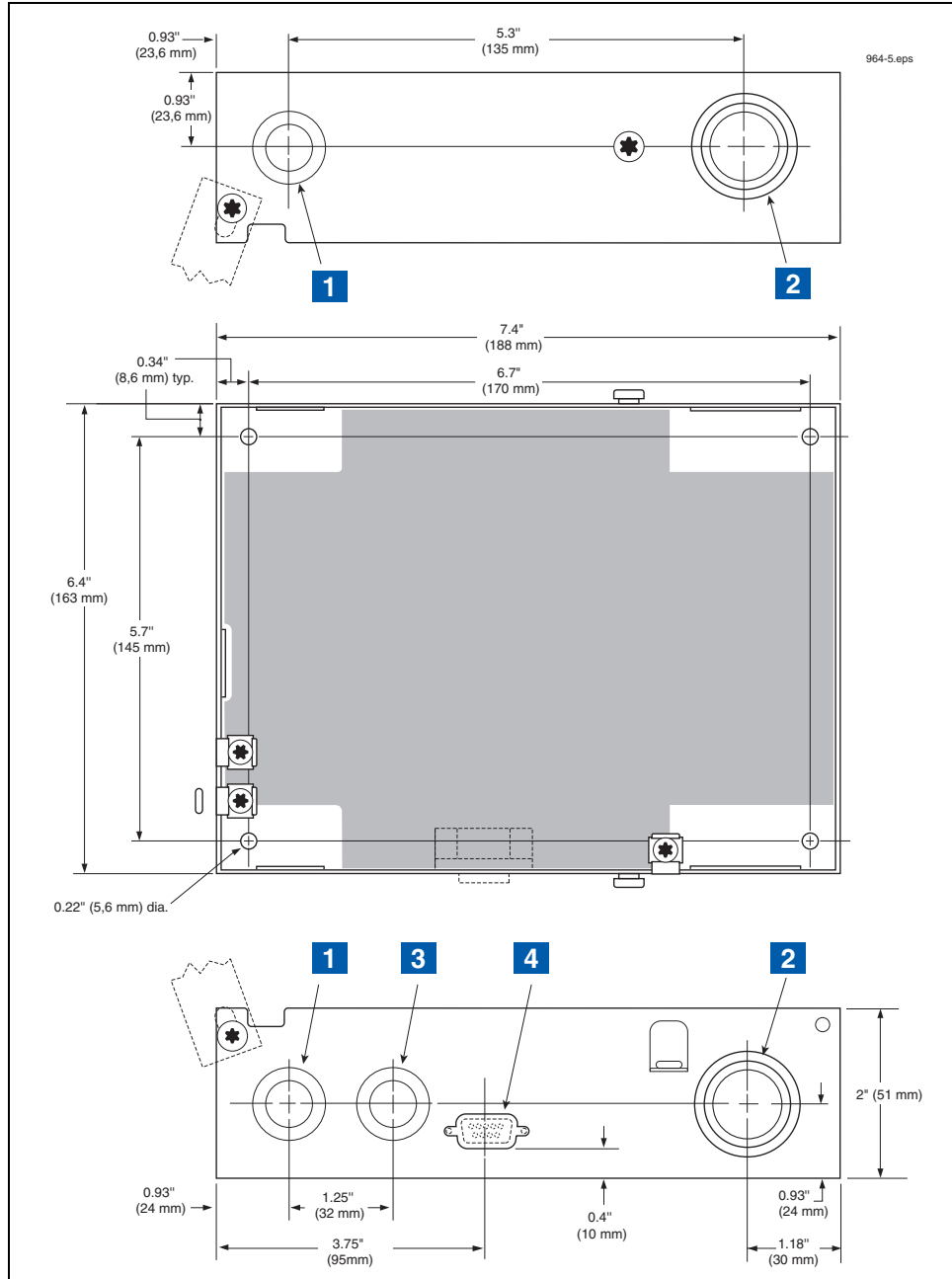


Figure 2. TLS RF Dimensions And Designated Conduit Knockouts

## LEGEND FOR NUMBERED BOXES IN Figure 2

- |   |                    |
|---|--------------------|
| 1. Designated power wiring knockouts              | 3. RS-485 knockout |
| 2. Designated intrinsically-safe wiring knockouts | 4. RS-232 knockout |

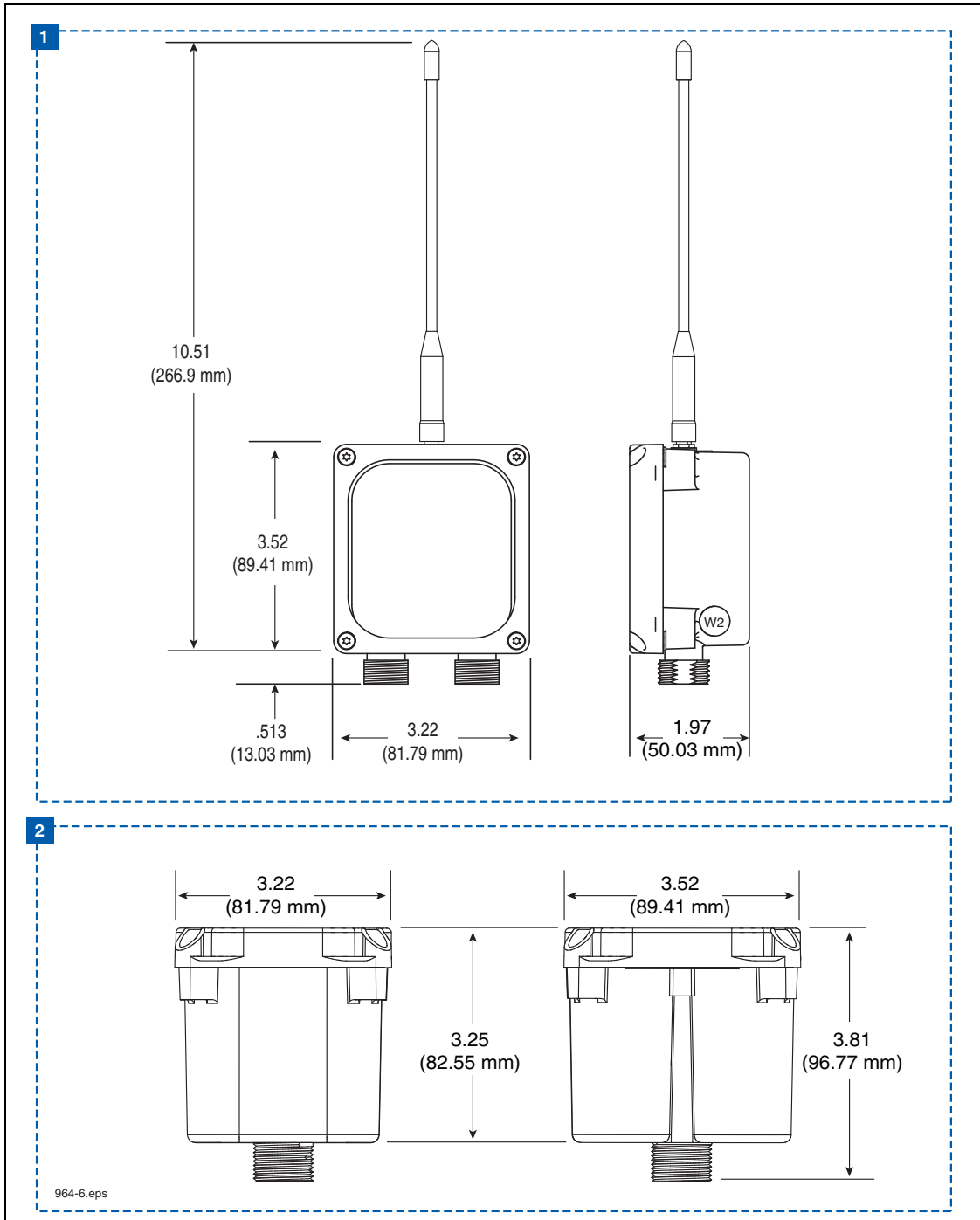


Figure 3. Wireless Component Dimensions

**LEGEND FOR NUMBERED BOXES IN Figure 3**

1. W2 Receiver, W2 Transmitter, and W2 Repeater dimensions

2. Battery housing dimensions

## Pre-Installation Component Setup and Functional Check

The steps below describe the process of verifying the Wireless System component functionality; listed steps are only for one TLS RF. If there are more than 8 Sensors installed at the site, refer to Appendix C on how to setup the DIP Switches for auxiliary TLS RF(s).

1. Remove all the hardware from their boxes; lay the TLS RF, Receiver, Repeater, and all the Transmitters on a table.
2. Set Site ID for the Receiver, Repeater, and all the Transmitters (refer to Appendix C on how to set up the Site ID). Typically the Site ID is set to 0 (default). **If there is a nearby wireless site, the Site IDs must be different.**
3. Set all Transmitter's Device Numbers and connect the battery cables to all the Transmitters. Label each Transmitter with its site ID.
  - a. Using a #15 torx driver, remove the cover of the Transmitter.
  - b. Remove the nut from the battery cable cord grip (right side cord grip) and slide it over the non-connector end of the battery cable.
  - c. Make sure the battery/dc power cable is not connected to the battery pack or dc power source at this time. Push the battery cable through the battery cable cord grip bushing and into the Transmitter.
  - d. Strip back the cable jacket and wires as shown in Figure 4.
  - e. Connect the battery pack/dc power cable to the BATTERY terminal block (white to +IN and black to -IN) as shown in Figure 5.
  - f. **Hand tighten both cable entry cord grip nuts to prevent water entry!**
  - g. Replace the cover of the Transmitter, but do not tighten down cover screws at this time.

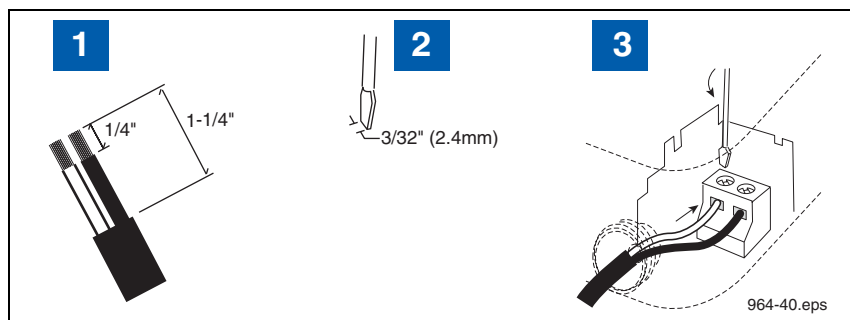


Figure 4. Connecting Wiring To Device Terminal Blocks

### LEGEND FOR NUMBERED BOXES IN Figure 4

- |  |   |
|--|---|
| 1. Strip back cable and wire jackets the amount shown. | 3. Both wires must be tight in terminals! |
| 2. Use a screwdriver with the proper blade width.      |   |



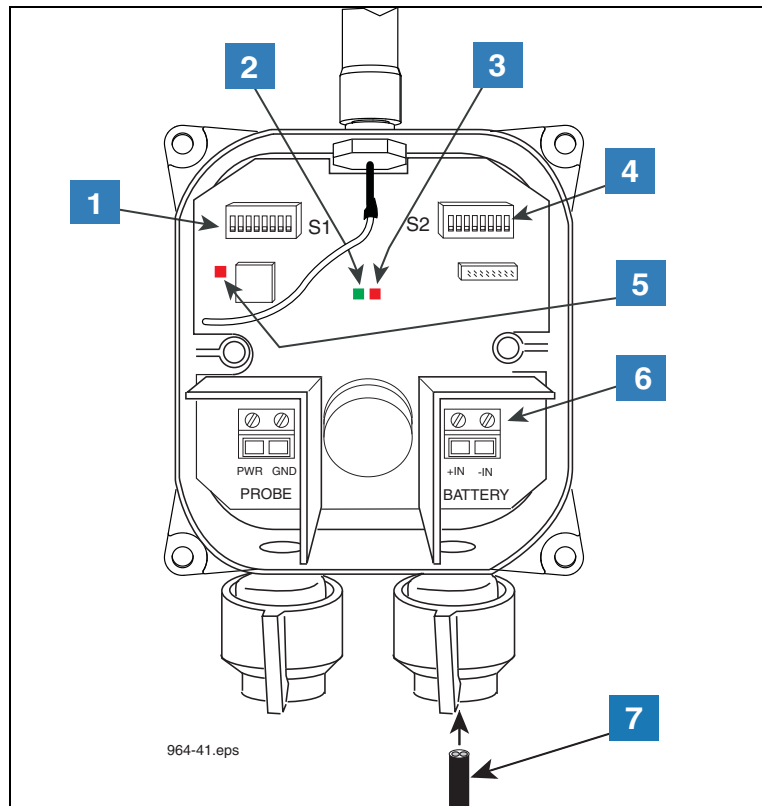



Figure 5. Wiring The Battery Cable To The Transmitter

#### LEGEND FOR NUMBERED BOXES IN Figure 5

- |  |   |
|--|---|
| <p>1. S1 DIP switch</p> <p>2. Green LED – Unit status.</p> <p>3. Red LED – Radio status.</p> <p>4. S2 DIP switch</p> <p>5. Red LED – Flashes only when radio is powered on in Diagnostic Mode.</p> | <p>6. Battery power-in terminals (+IN and –IN). Observe polarity!</p> <p> <b>Pay close attention to the polarity of the +15 Vdc. Reversing the connections can cause damage to the TLS RF.</b></p> <p>7. Cable from battery pack</p> |
|--|---|

4. Using a #15 torx driver, open the covers of the TLS RF, Repeater and Receiver. Make a temporary ac power cord with a grounded plug on one end. Connect the ac power cord to the TLS RF's input power terminals and ground terminal (refer to Figure 6 and Figure 7). Connect a necessary length of RS-485 cable from the TLS RF's RS-485 terminals to the Receiver's RS-485 terminals (refer to Figure 32). Connect a necessary length of 2-conductor cable from the Receiver's Repeater terminals to the Repeater's Repeater terminals (refer to Figure 33).
5. The steps below are to verify the communication between the TLS RF Unit and the Receiver.
  - a. Plug the TLS RF's ac power cord into a 120/240 Vac outlet. Confirm the Green /Red LEDs (refer to item 2 in Figure 12), are flashing rapidly. This is an indication there is RS-485 network activity between the TLS RF and the Receiver.
  - b. If it is, continue to Step 6.
  - c. If it is not, check PWR LED (refer to item 3 in Figure 12), if not lit; check power wiring. If the wiring is correct, measure the voltage across the twisted pair power wires, it should read +15Vdc. If it is not, the TLS RF is bad.

- d. If the Red LED (refer to item 2 in Figure 12) is not flashing, confirm the TLS RF address is set to Master (refer to Appendix C, Figure C-1 on how to set the TLS RF Device Number). If it is, the TLS RF has failed.
- e. If the Red LED is flashing and the Green LED is not flashing, the TLS RF is not receiving a response from the Receiver.
- f. Confirm the Receiver PWR LED is lit (refer to item 1 in Figure 32). If not check the power wiring.
  - If the power wiring is correct, measure across the +15V and GND (refer to item 4 in Figure 32), it should be +15Vdc. If it is not, measure the voltage across the +15V and GND terminals in the TLS RF, it should read +15Vdc. If it does, replace the twisted pair power wires. If it does not, the Receiver is bad.
  - Check the RS-485 Green LED (refer to item 1 (PWR LED) in Figure 32), if it is flashing; it is receiving Data from the TLS RF. If it is not flashing, check the RS-485 cabling between the TLS RF and the Receiver.
  - Check the Red LED (XMIT LED, [item 1 in Figure 32]), if it is flashing; check the cabling. If it is not flashing, the Receiver is at fault; replace the Receiver.
6. This step is to verify to make sure Data from the Transmitter is being received by the TLS RF. Make sure the power to the Repeater is off.
  - a. Connect the first Transmitter's battery cable to a battery pack; noting the Red LED should be flashing momentarily then followed by the Green LED (refer to item 2 and 3 in Figure 5). Since there is no Sensor connected, the two LEDs should be flashing. This is an indication a Sensor communication error and is acceptable at this step.

**TIP - Normal flashing is when an LED turns On for over 1 second and turns Off for over 1 second. Error flashing is when an LED turns On and Off every 1/2 second or less.**
  - b. Go to the TLS RF, open its cover. One of the 8 Red received LEDs should be flashing (refer to item 5 in Figure 12). Observe which LED is lit and compare it against the Transmitter Device Number; they should match. For example, if the Transmitter ID is set to 1, the LED number 1 in the TLS RF should be flashing.
  - c. If the Transmitter Device Number and the LED in the TLS RF do not match, disconnect the Transmitter's battery cable from the battery pack. Move this DIP switches back and forth a few times to make sure they are set properly. Reset this DIP Switch to the correct setting; reconnect the battery cable; confirm that the correct LED is flashing.
  - d. If they still do not match, disconnect the Transmitter's battery cable from the battery pack; change the Transmitter Device Number to different setting and repeat Step 6.
  - e. If resetting the Transmitter to a different Device Number and the LED position in the TLS RF matches; that DIP Switch position is bad, the Transmitter is at fault.
  - f. If resetting the Transmitter to a different Device Number and the LEDs in the TLS RF and the Transmitter are not matched; remove the power from the Transmitter and put it aside.
  - g. Repeat Step 6 with the next Transmitter.
  - h. If both Transmitters have the same problems, it could be the Receiver or the TLS RF.
  - i. In the case where the LED in the TLS RF is not flashing, check the Site ID in the Receiver and the Transmitter to make sure they are correct. If the Site IDs are correct, the Transmitter or the Receiver is at fault. NOTE: Sometimes it is necessary to disconnect the battery cable from the battery pack and wait for 2 minutes and retry again to make sure the connection is established properly.
7. If all the Transmitters have been verified to be working properly, they are now ready to be installed.
8. Unplug the TLS RF, disconnect the temporary power cable and RS-485 cable to the Receiver and close the cover of the TLS RF, but do not tighten the cover screws at this time.
9. Disconnect the temporary RS-485 and 2-conductor cables from the Receiver and replace its cover, but do not tighten at this time. Disconnect the temporary 2-conductor cable from the Repeater and replace its cover, but do not tighten at this time.

## TLS RF Installation

### Selecting A Location

---

#### WARNING



Explosive vapors or flammable liquids could be present near locations where fuels are stored or being dispensed. The TLS RF is not explosion proof.

An explosion or fire resulting in serious injury or death, property loss and equipment damage could occur if the console is installed in a volatile, combustible or explosive atmosphere (Class I, Division 1 or 2).

Do not install this unit in a volatile, combustible, or explosive atmosphere.

The TLS RF must be mounted indoors, protected from severe vibration, extremes in temperature and humidity, and other conditions that could harm computerized electronic equipment.

Ensure that the TLS RF is located where neither it nor its associated cabling will be damaged by doors, furniture, etc. Consider the ease of routing wiring, and ducting to the TLS console. Check that the mounting surface is strong enough to support the unit's weight of about 4 pounds.

### Mounting the TLS RF

---

Install the unit's fastening devices to the mounting surface using the hole pattern (6.7" x 5.7") shown in Figure 2. Mounting screws up to 3/16" diameter may be used.

Install metal conduit (1/2-inch I.P.S.) between the upper power side knockout on the unit and the power panel. Figure 2 shows the two designated knockouts (one each on top and bottom) through which power wiring can safely enter the unit.

Also install metal conduit (1/2-inch I.P.S.) between the lower intrinsically-safe wiring knockout on the TLS RF and an intrinsically-safe wiring knockout on the TLS console for device data wiring.

### Wiring the TLS RF

---

#### WARNING



The unit contains voltages which can be lethal.

Connecting power wires to a live circuit can cause electrical shock that may result in serious injury or death.

Turn power off at the circuit breaker before connecting wiring to the TLS RF.

Attach conduit from the power panel to the unit's power wiring knockouts only (1 on top and 1 on bottom, ref. Figure 2)

To connect power wiring see Figure 6. To connect Receiver wiring see Figure 7. To daisy chain two TLS RFs, see Figure 9 and Figure 10. To connect TLS RF data output wiring to the TLS console see Figure 11.



**WARNING! Do not apply power to the TLS RF Console until all device wiring is complete. This includes the wiring for the Receiver, Repeater, the probes and additional TLS RF Consoles.**

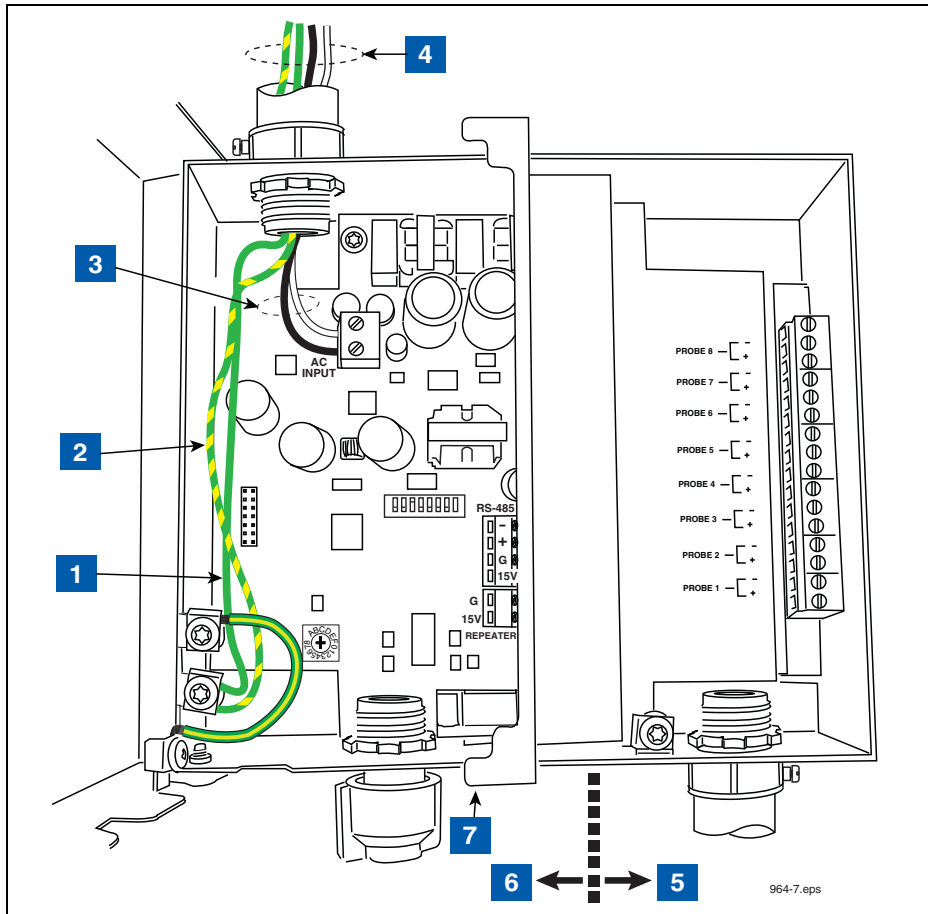


Figure 6. Wiring AC Power To The TLS RF

**LEGEND FOR NUMBERED BOXES IN Figure 6**

- |   |  |
|---|--|
| <ol style="list-style-type: none"> <li>1. Attach chassis ground wire (#14 AWG) to ground lug.</li> <li>2. Protective earthing conductor (green and yellow). Attach #12AWG barrier ground wire to ground lug. Ground must be the same as the supply and less than 1.0 ohms to ground.</li> <li>3. AC power input wires (#14 AWG) to AC INPUT terminals.</li> <li>4. POWER WIRING NOTES:             <ul style="list-style-type: none"> <li>• Barrier ground must be #12 AWG or larger diameter.</li> <li>• Check to be sure that the electrical resistance between the unit ground lug and a known good earth ground is less than 1 ohm.</li> <li>• Connect the power supply wires in the power panel to a separate dedicated circuit.</li> <li>• Electrical rating power input - 120 Vac or 240 Vac, 50/60 Hz, 2 A max.</li> <li>• See Figure 2 for actual locations of power conduit knockouts into the unit. Power wiring must enter only in one of these knockouts.</li> </ul> </li> </ol> | <ol style="list-style-type: none"> <li>5. Intrinsically-safe side</li> <li>6. Power side</li> <li>7. RS-232 diagnostic port:             <ul style="list-style-type: none"> <li>• Baud rate - 9600</li> <li>• Data length - 8</li> <li>• Parity - None</li> <li>• Stop bits - 1</li> </ul> </li> </ol> |
|---|--|

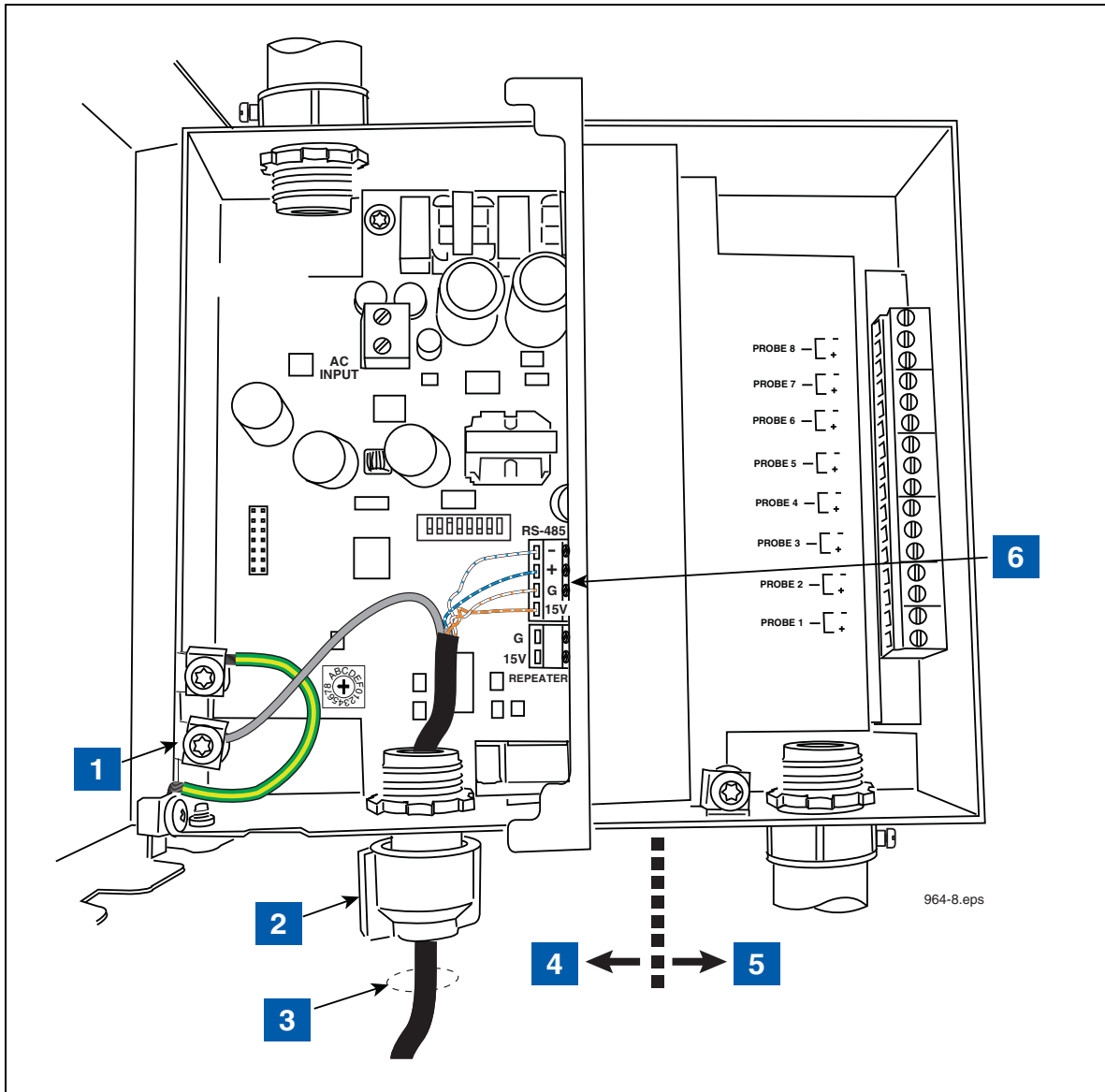


Figure 7. Wiring Receiver To The TLS RF

**LEGEND FOR NUMBERED BOXES IN Figure 7**

- 1. Connect the shield of the RS-485 cable to the ground lug.
- 2. Cord grip
- 3. RS-485 cable to Receiver
- 4. Power side
- 5. Intrinsically-safe side
- 6. NOTE: Attach one end of RS-485 cable to the RS-485 terminals in the TLS RF and other end to the RS-485 terminals in the Receiver. One twisted pair connects to terminals - and + (RS-485 signals) and the second twisted pair connects to terminals +15 and G (Receiver power).

6 (Cont'd).  
Connect each of the four wires to the same terminals in the Receiver (ref. Figure 32).

NOTE: see Figure 4 for wire connection tips. NOTE: In sites with more than one TLS RF, the Receiver is only connected to the master TLS RF.

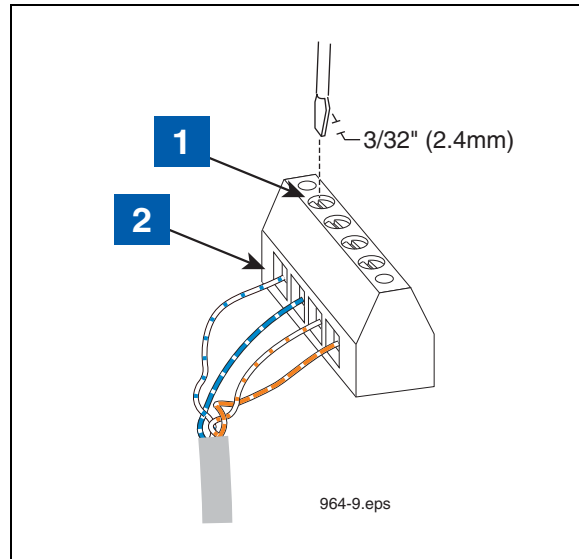


Figure 8. Connecting RS-485 Wiring

**LEGEND FOR NUMBERED BOXES IN Figure 8**

- |   |  |
|---|--|
| <p>1. Use small blade screwdriver and loosen terminal by turning top screw over desired terminal counter clockwise. DO NOT raise screw head above top of hole or it may disengage from clamp.</p> | <p>2. Insert 1/4" stripped wire into terminal clamp's side opening and tighten screw clockwise until wire cannot be moved in or out.</p> |
|---|--|

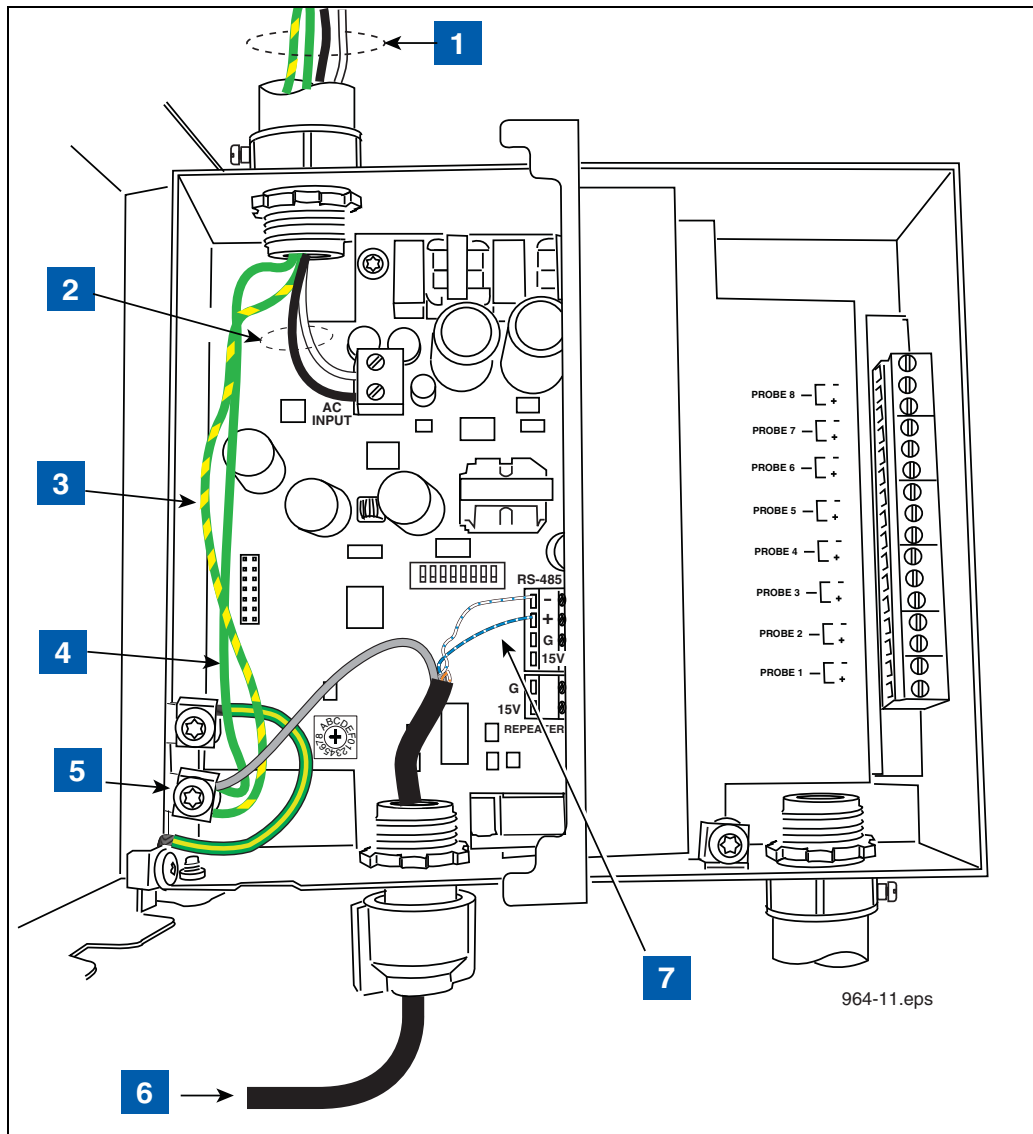


Figure 9. Power Connections To A Daisy Chained TLS RFs

**LEGEND FOR NUMBERED BOXES IN Figure 9**

- |  |  |
|--|--|
| <p>1. POWER WIRING NOTES:</p> <ul style="list-style-type: none"> <li>• Barrier ground must be #12 AWG or larger diameter.</li> <li>• Check to be sure that the electrical resistance - between the unit ground lug and a known good earth ground is less than 1 ohm.</li> <li>• Connect the power supply wires in the power panel to a separate dedicated circuit.</li> <li>• Electrical rating power input - 120 Vac or 240 Vac, 50/60 Hz, 2 A max.</li> <li>• See Figure 2 for actual locations of power conduit knockouts into the unit. Power wiring must enter only in one of these knockouts.</li> </ul> <p>2. AC power input wires (#14 AWG) to AC input terminals.</p> | <p>3. Protective earthing conductor (green and yellow). Attach #12AWG barrier ground wire to ground lug. Ground must be the same as the supply and less than 1.0 ohms to ground.</p> <p>4. Attach chassis ground wire (#14 AWG) to ground lug.</p> <p>5. Connect the shield of the RS-485 cable to the ground lug.</p> <p>6. RS-485 cable from master TLS RF.</p> <p>7. See Figure 10 for connections.</p> |
|--|--|

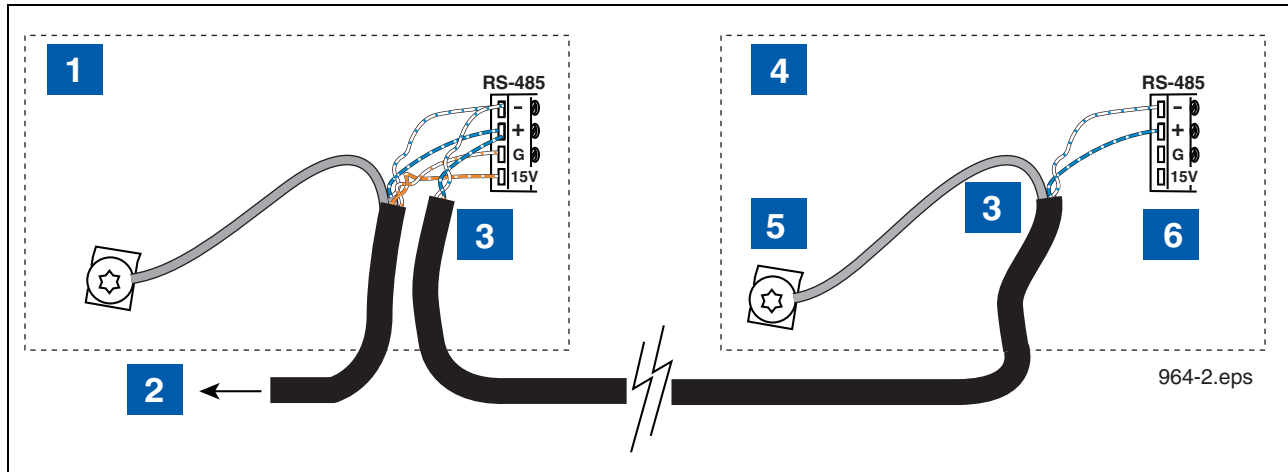


Figure 10. RS-485 Cable Connections When Daisy Chaining Two TLS RFs

**LEGEND FOR NUMBERED BOXES IN Figure 10**

- |   |   |
|---|---|
| <ol style="list-style-type: none"> <li>1. Master TLS RF</li> <li>2. RS-485 cable to Receiver.</li> <li>3. RS-485 cable to auxiliary TLS RF. Cut the unused twisted pair back to the cable's jacket at each end of the cable. Maximum cable length is 500 feet if a communication grade cable is used.</li> <li>4. Auxiliary TLS RF</li> </ol> | <ol style="list-style-type: none"> <li>5. Connect the shield of the RS-485 cable to the ground lug.</li> <li>6. Connect like colored wires of the twisted pair to like terminals in the auxiliary TLS RF. Each additional TLS RF connects in the same way.</li> </ol> |
|---|---|



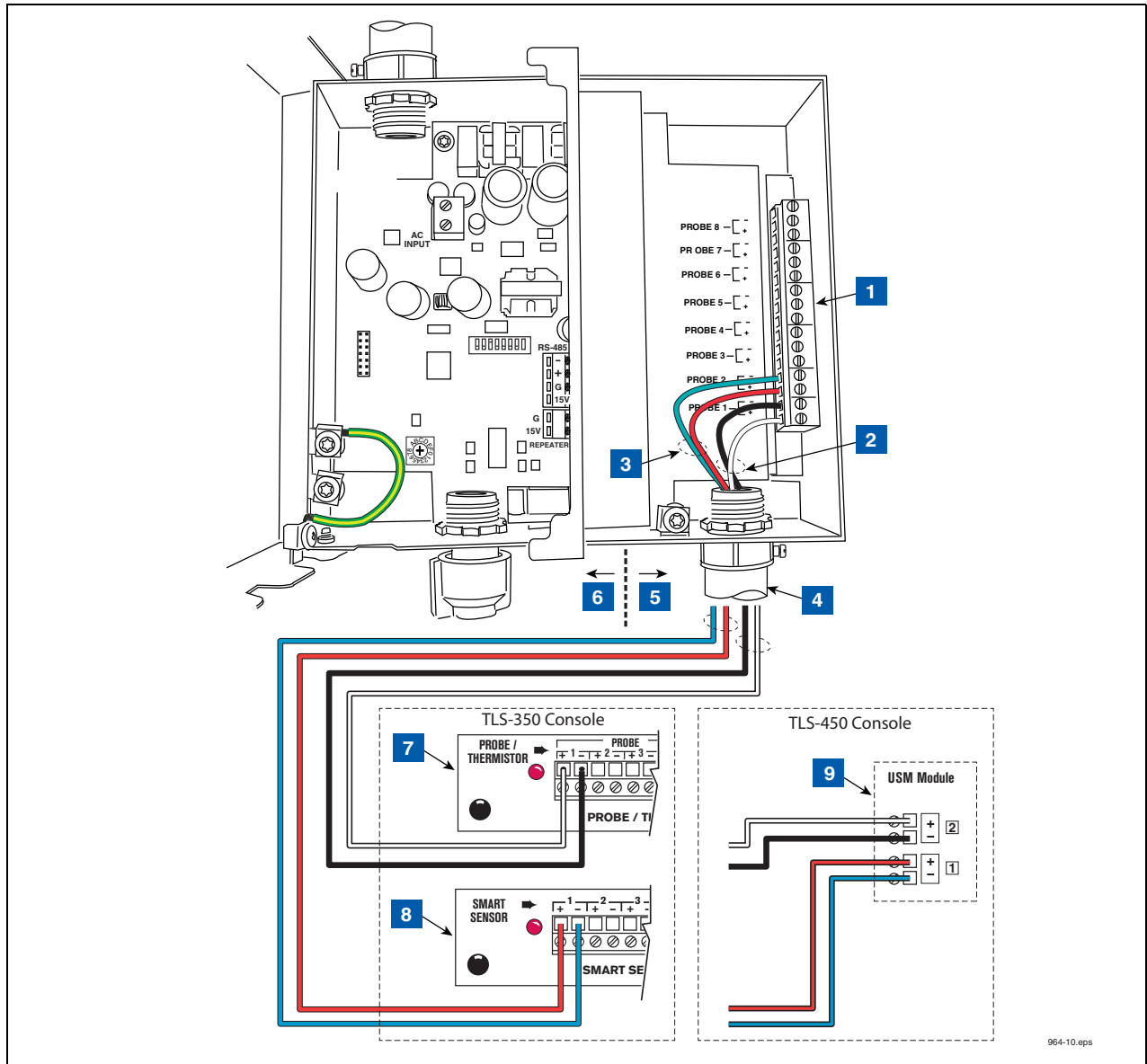


Figure 11. Wiring Data Outputs From TLS RF To TLS Consoles

**LEGEND FOR NUMBERED BOXES IN Figure 11**

Note: Output wiring from the TLS RF to the TLS console is an intrinsically safe circuit.

NOTE: Intrinsically safe wiring shall be installed in accordance with Article 504-20 of the NEC, ANSI/NFPA 70.

1. Received Transmitter data output terminals (1-8).
2. In this example, device output 1 is a Mag probe - Observe polarity. Note: each time a transmission is received from this device, LED 1 (see item 5 in Figure 12) will flash.
3. In this example, device output 2 is a Mag Sump Sensor - Observe polarity. Note: each time a transmission is received from this device, LED 2 (see item 5 in Figure 12) will flash.
4. 1/2" i.p.s. conduit to TLS console
5. Intrinsically-safe side
6. Power side
7. Probe interface module in TLS-350 console
8. SmartSensor interface module in TL-350 console
9. USM module in TLS-450 console



Figure 12 locates the diagnostic lights and setup switches in the TLS RF.

Each TLS RF in the site network must have a unique device set number (0,1,2 or 3). The factory default setting is '0'. You must select '0' for the master TLS RF. The site's Receiver must also be connected to the master TLS RF.

If a second TLS RF is required, enter '1' in the auxiliary TLS RF. For additional TLS RFs, enter '2' for the third and '3' for the fourth.

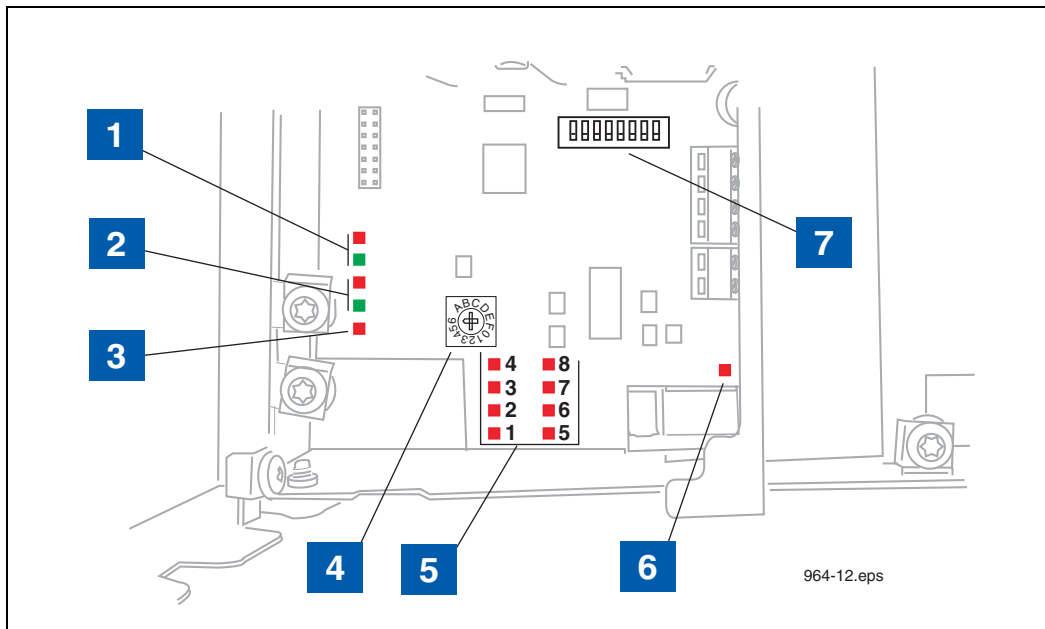


Figure 12. TLS RF Diagnostic LEDs And Switch Locations

**LEGEND FOR NUMBERED BOXES IN Figure 12**

- |   |  |
|---|--|
| <ol style="list-style-type: none"> <li>1. These LEDs flash when there is comm activity on RS-232 port (Red = TX, Green = RX).</li> <li>2. These LEDs flash when there is comm activity on the RS-485 network (between TLS RF and Receiver).</li> <li>3. Red LED is lit when TLS RF is powered on.</li> <li>4. Device time out rotary switch selects the maximum allowed time to wait for communication from Transmitter before an Probe Out/Comm alarm is posted by TLS console (see Appendix C for selections). Position 1 (10 minutes) is the factory default setting.</li> </ol> | <ol style="list-style-type: none"> <li>5. These red LEDs flash when a message is received from a Transmitter in the monitored device set. LED 1 is the device wired to I.S. output terminal 1. LED 2 is the device wired to output terminal 2, etc.</li> <li>6. Red LED flashes when TLS console is polling for device data.</li> <li>7. S2 DIP switches 1-2 enter device set address (see Appendix C).</li> </ol> |
|---|--|

# Wireless Component Installation

## Transmitter Installation

### MAG PROBE SUMP

A Transmitter/battery pack pair must be installed in every tank's probe/dispenser pan that will be monitored by the TLS RF. Follow the steps below to install the Transmitter assembly.

1. Connect the two conduit hangers from the kit (2- or 4-inch as required) to the battery pack support bracket as shown in Figure 13.
2. Attach two conduit clamps to the battery pack support bracket as shown in Figure 14. Do not tighten screws at this time.

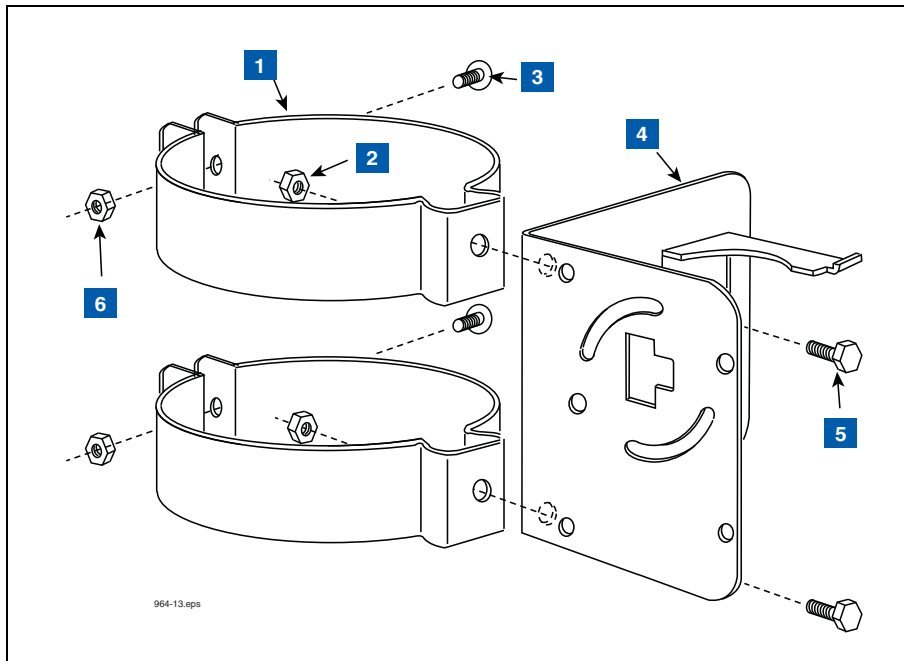


Figure 13. Attaching Hangers To Battery Pack Support Bracket

#### LEGEND FOR NUMBERED BOXES IN Figure 13

- |   |   |
|---|---|
| 1. 2-inch or 4-inch conduit hanger [as required] - 2 places | 4. Battery pack support bracket             |
| 2. 1/4 x 20 hex head nut - 2 places                         | 5. 1/4 x 20 x 0.5" hex head bolt - 2 places |
| 3. 1/4 x 20 x 1.25" hex head bolt - 2 places                | 6. 1/4 x 20 hex head nut - 2 places.        |

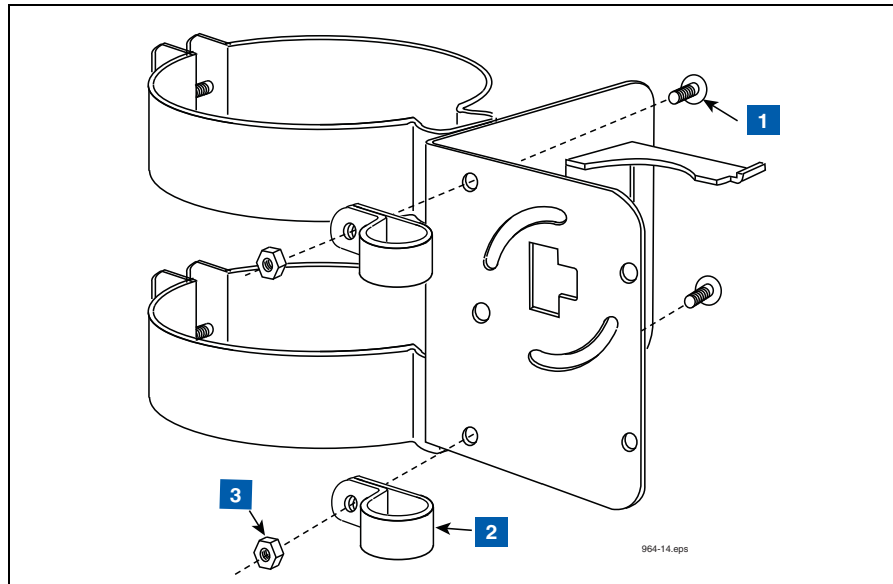


Figure 14. Attaching Conduit Clamps To Battery Pack Support Bracket

**LEGEND FOR NUMBERED BOXES IN Figure 14**

- 1. #10 x 1/2" screw - 2 places
- 2. Clamp - 1/2" conduit - 2 places
- 3. #10 x 1/2" hex nut - 2 places.

3. Attach two conduit clamps to the Transmitter as shown in Figure 15. Do not tighten screws at this time.

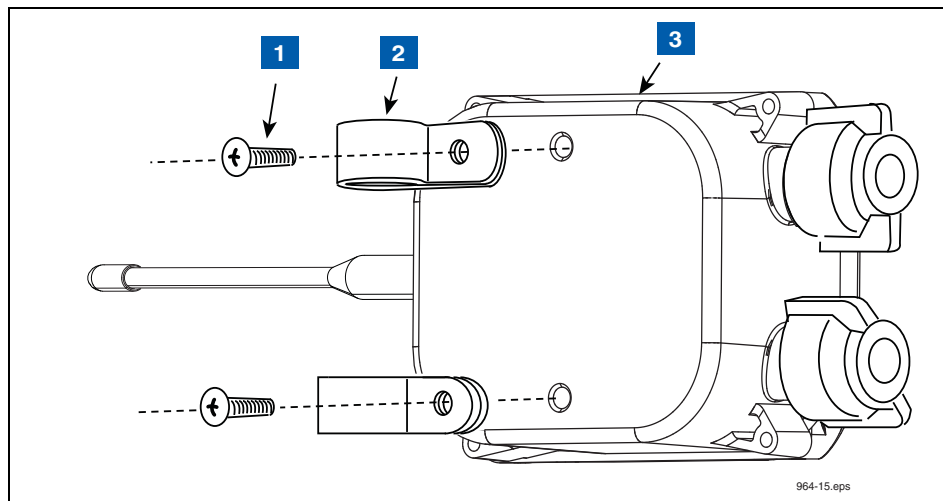


Figure 15. Attaching Conduit Clamps To Transmitter Housing

**LEGEND FOR NUMBERED BOXES IN Figure 15**

- 1. #10 x 1/2" taptite screw - 2 places
- 2. Clamp - 1/2" conduit - 2 places
- 3. Transmitter housing

4. Loosen the probe cable cord grip and remove the riser cap. Thread the probe cable through the two conduit hangers as you slide the hanger/bracket assembly onto the riser. Adjust the conduit hangers until the top one is 3 - 4 inches below the top of the riser as shown in Figure 16. Tighten the two conduit hanger bolts to secure the bracket on the riser. Loosen the cord grip in the top of the riser cap and push the probe cable up through the cord grip and replace the riser cap and tighten the probe cable cord grip. Insert a piece of 1/2-inch conduit or ducting into the loosened conduit clamps in the battery pack support bracket. The conduit can be positioned below the manhole cover from 1 to 6 inches, as required for best signal reception. Place a mark on the conduit above the top clamp. Remove the conduit to a non-hazardous location and cut off the excess length. Push the conduit down through the two clamps until the top clamp is below the mark on the conduit and tighten the two clamps.

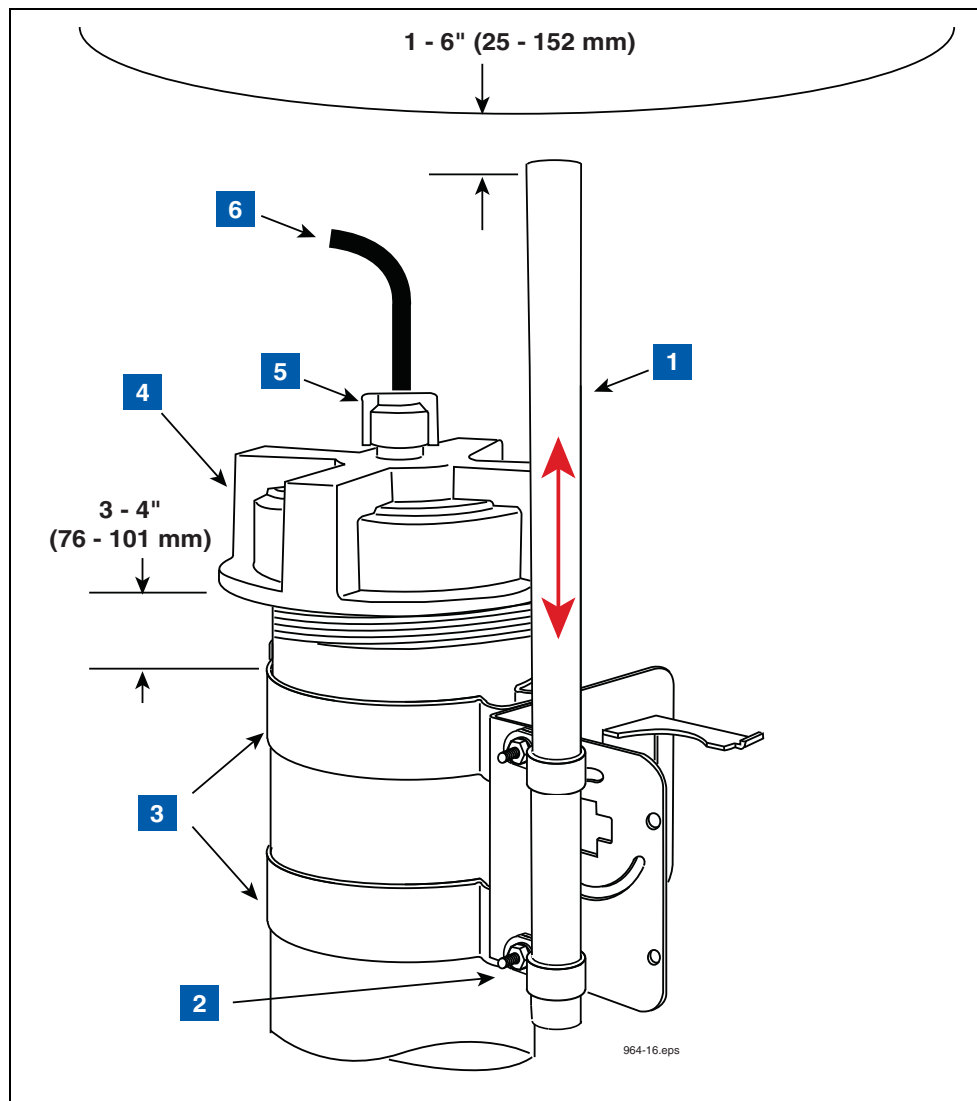


Figure 16. Installing Transmitter Support Conduit

**LEGEND FOR NUMBERED BOXES IN Figure 16**

- |   |                |
|---|----------------|
| 1. 1/2" conduit or ducting                                    | 4. Riser cap   |
| 2. Clamp - 1/2" conduit - 2 places                            | 5. Cord grip   |
| 3. Conduit hanger bolts - 2 places (not visible in this view) | 6. Probe cable |

5. Loosen the clamps on the back of the Transmitter and slide the two clamps down over the conduit as shown in Figure 17. Position the Transmitter until the top clamp is about 1/4" below the top of the conduit and tighten the clamps just enough to keep the Transmitter from sliding down.

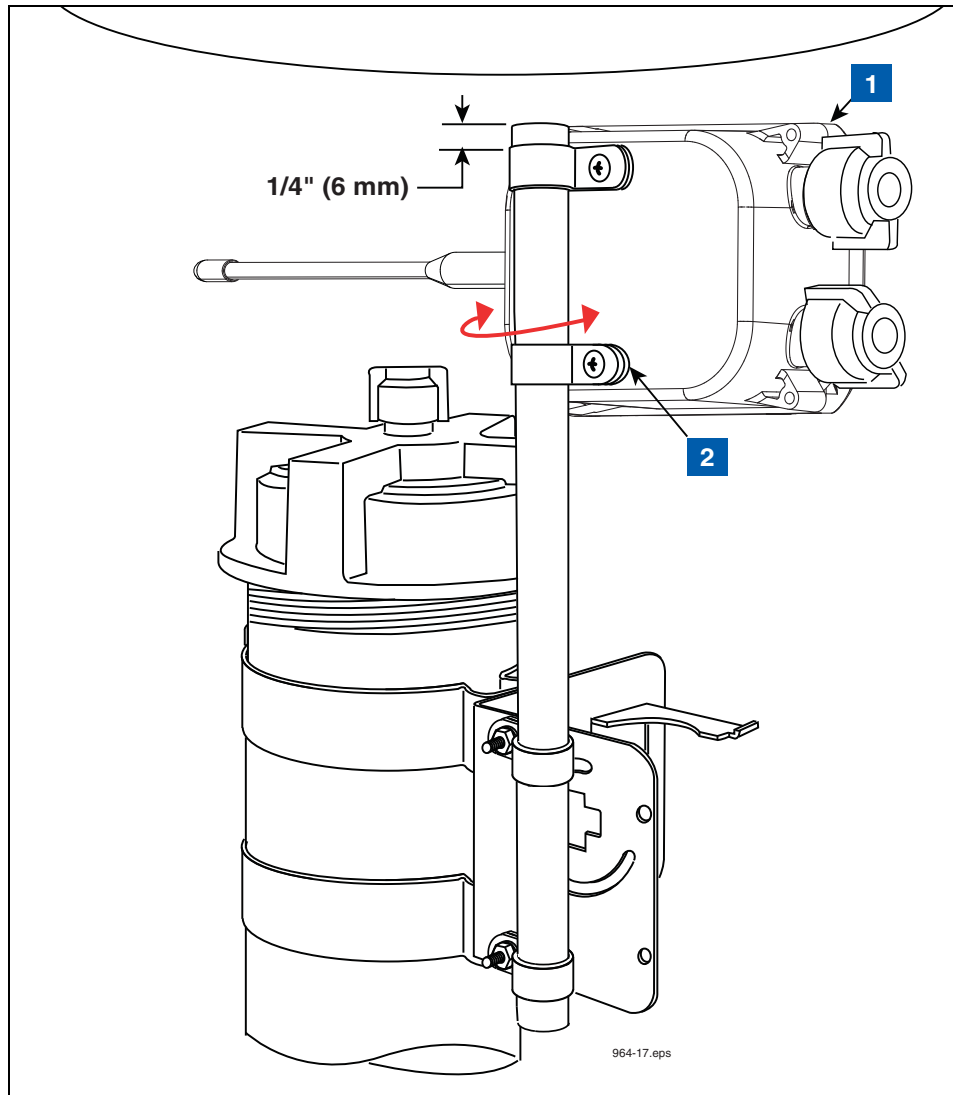


Figure 17. Installing Transmitter Onto Support Conduit

**LEGEND FOR NUMBERED BOXES IN Figure 17**

1. Transmitter

2. Clamps - 2 places

6. Insert the battery pack into the battery support bracket as shown in Figure 18.
7. Attach power/probe cables as described in the section below entitled "Connecting Cables To The Transmitter" on page 38.

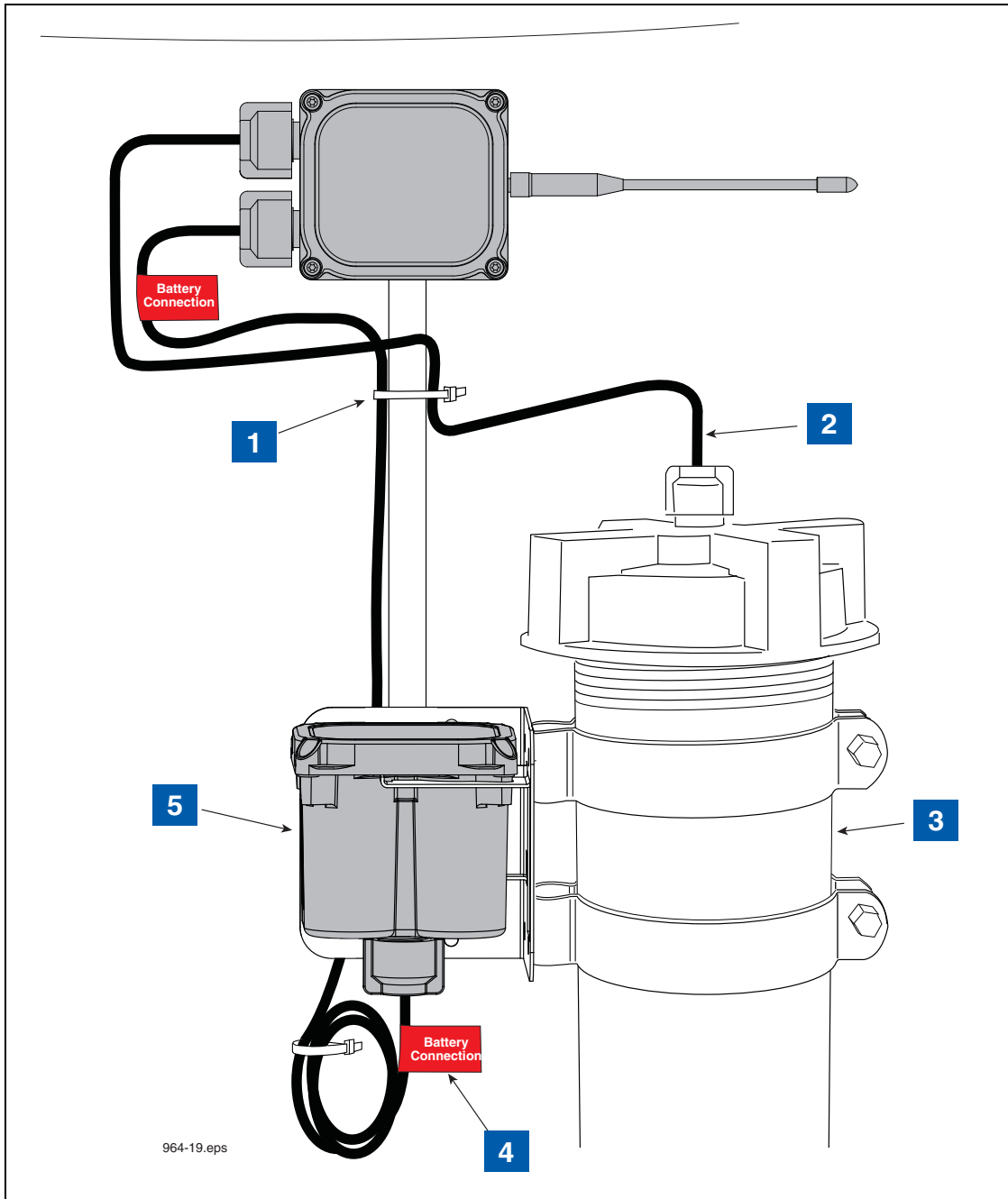


Figure 18. Mag Probe Installation Example

**LEGEND FOR NUMBERED BOXES IN Figure 18**

- |                     |   |
|---------------------|---|
| 1. Tie wrap cables, | 3. Probe Riser                                |
| 2. Probe cable      | 4. Red battery labels - 2 places              |
|                     | 5. Battery pack - insert into support bracket |

NOTE: Intrinsically safe wiring shall be installed in accordance with Article 504-20 of the NEC, ANSI/NFPA 70.





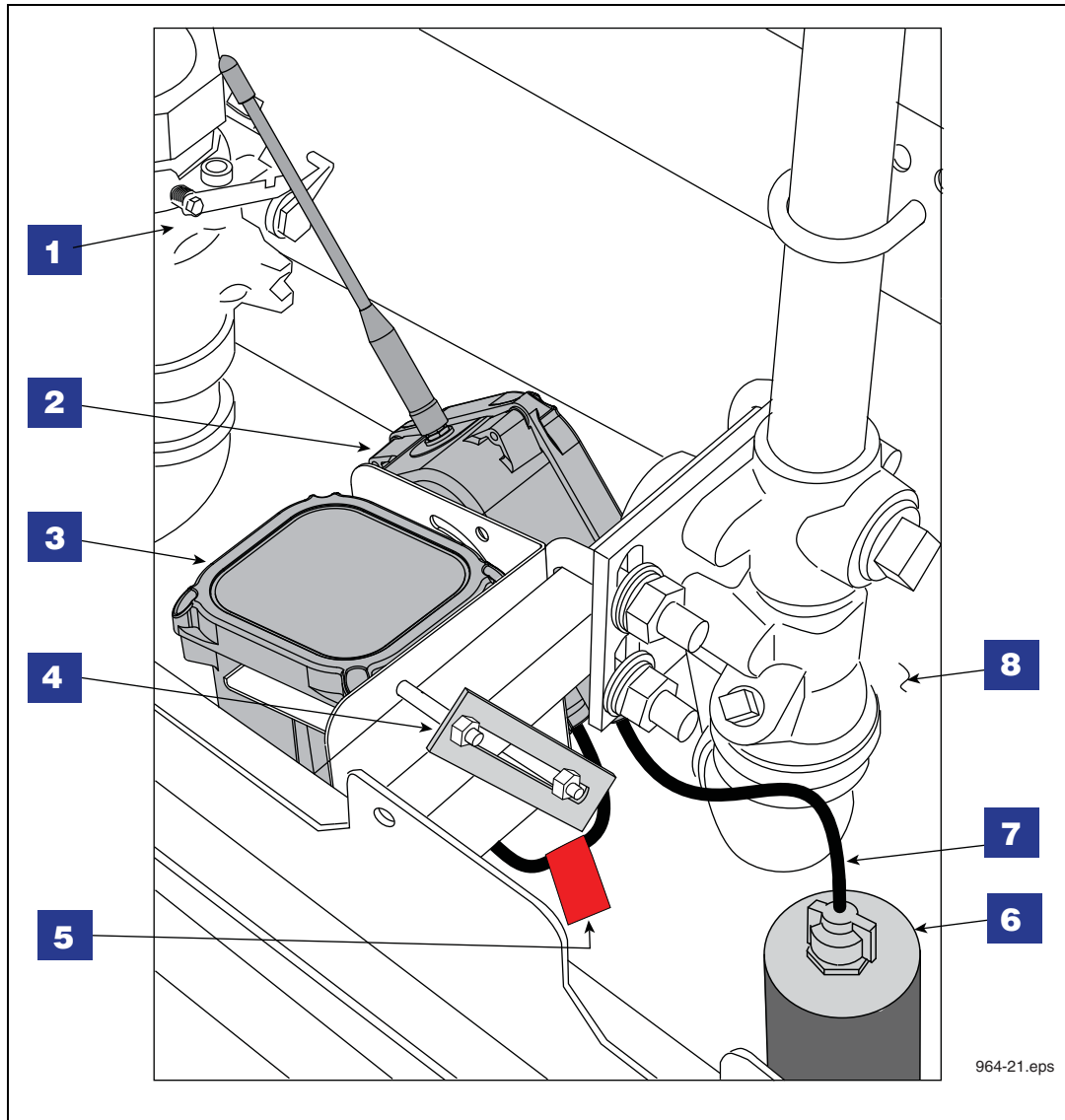


Figure 20. Example Transmitter Installation In Dispenser Sump

**LEGEND FOR NUMBERED BOXES IN Figure 20**

- 1. Shear valve
- 2. Transmitter
- 3. Battery pack
- 4. Using 1 x 6 slotted flat bar and two 1/4 x 3 bolts from kit, clamp battery support bracket to square tubing support.
- 5. Battery caution label attached to battery cable (2 places).

- 6. Dispenser mag sump sensor
- 7. Sensor cable

NOTE: Intrinsically safe wiring shall be installed in accordance with Article 504-20 of the NEC, ANSI/NFPA 70.

- 8. Dispenser sump

## Vapor Return Pressure Sensor Installation

### DISPENSER INSTALLATION EXAMPLE

1. A Transmitter/battery pack pair must be installed with the Veeder-Root Vapor Return Pressure Sensor (VRPS) in the dispenser cabinet.
2. Install the VRPS sensor in the dispenser following instructions accompanying the sensor.
3. Using two taptite screws from the kit, attach the Transmitter housing to the side of the battery support bracket that has the two circular slots (see Figure 19). Do not tighten screws at this time.
4. Determine a support location within the dispenser cabinet that will allow you room for the transmitter/battery support bracket. Clamp the bracket to an available support structure (see Figure 25).
5. Rotate the Transmitter antenna as close as possible to a horizontal position then tighten two mounting screws in housing.
6. Insert the battery pack into its support bracket - do not connect the battery cable to the battery pack at this time.

Attach the VRPS and battery cables to the VRPS transmitter as described in the section below entitled "Connecting Cables To The Transmitter" on page 38.

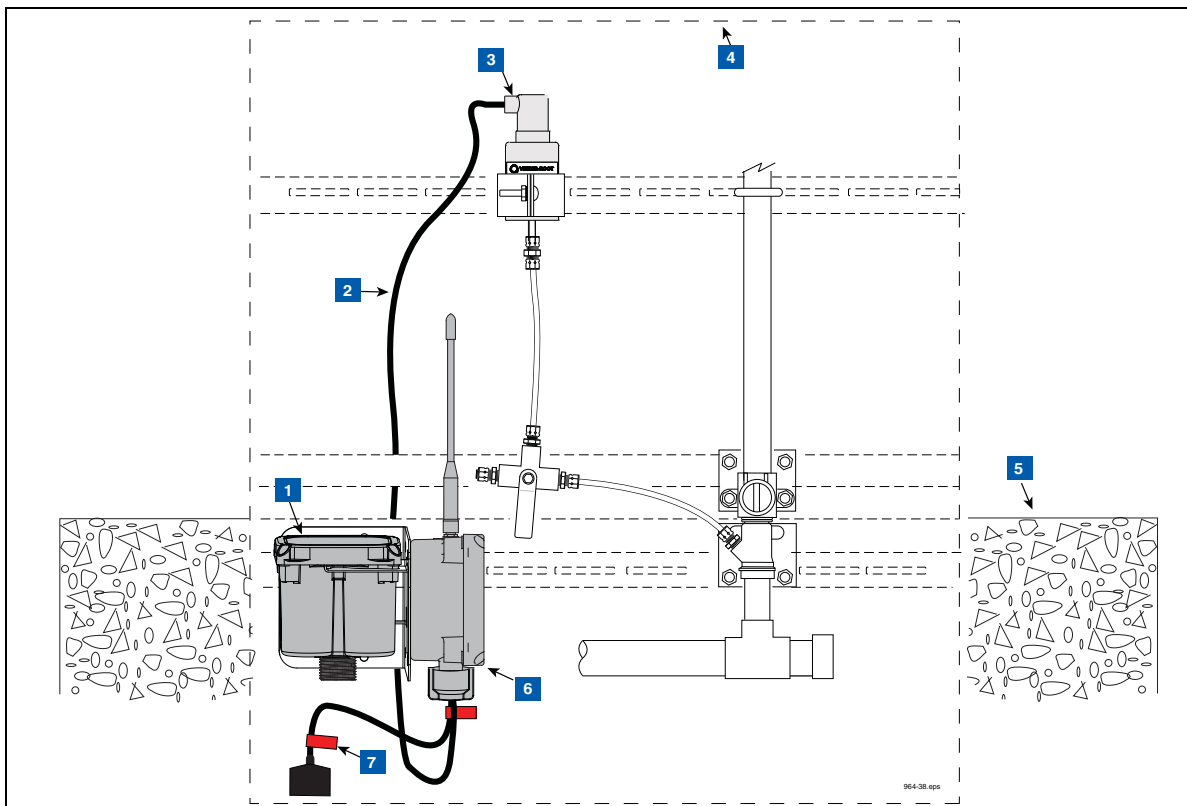


Figure 21. Example VRPS Transmitter Installation In Dispenser

#### LEGEND FOR NUMBERED BOXES IN Figure 21

- |                              |   |
|------------------------------|---|
| 1. Battery pack              | 5. Top of dispenser pedestal                                  |
| 2. VRPS cable                | 6. Transmitter  |
| 3. VRPS                      | 7. Battery caution label attached to battery cable (2 places) |
| 4. Base of dispenser cabinet |   |

## VENT STACK INSTALLATION EXAMPLE

1. A Transmitter/battery pack pair must be installed with the Veeder-Root Vapor Return Pressure Sensor (VRPS) in the Universal Enclosure and mounted on the vent stack (see Figure 22).
2. Install the VRPS sensor in the Universal Enclosure following instructions accompanying the sensor. During the installation, all required National, State and local safety codes must be followed.
3. Using two #10 taptite screws from the Universal Enclosure kit, attach the Transmitter housing to the side of the L bracket from the Universal Enclosure kit - do not attach L bracket/transmitter assembly to the back mounting surface at this time.
4. Get the battery pack mounting bracket from the Universal Enclosure kit and put the threaded connector fitting of the battery housing through the large hole in the bracket.
5. Get the thin hex nut from the kit and screw it onto the battery housing cable connector threaded fitting until snug (see item 4 in Figure 23).
6. Attach the battery housing/bracket assembly to the back mounting surface of the Universal Enclosure using two #10 taptite screws from the kit (see item 5 in Figure 23).
7. Connect the VRPS and battery cables to the VRPS transmitter as described in the section below entitled "Connecting Cables To The Transmitter" on page 38, then attach the transmitter/L bracket assembly to the back mounting surface using two #10 taptite screws from the kit.

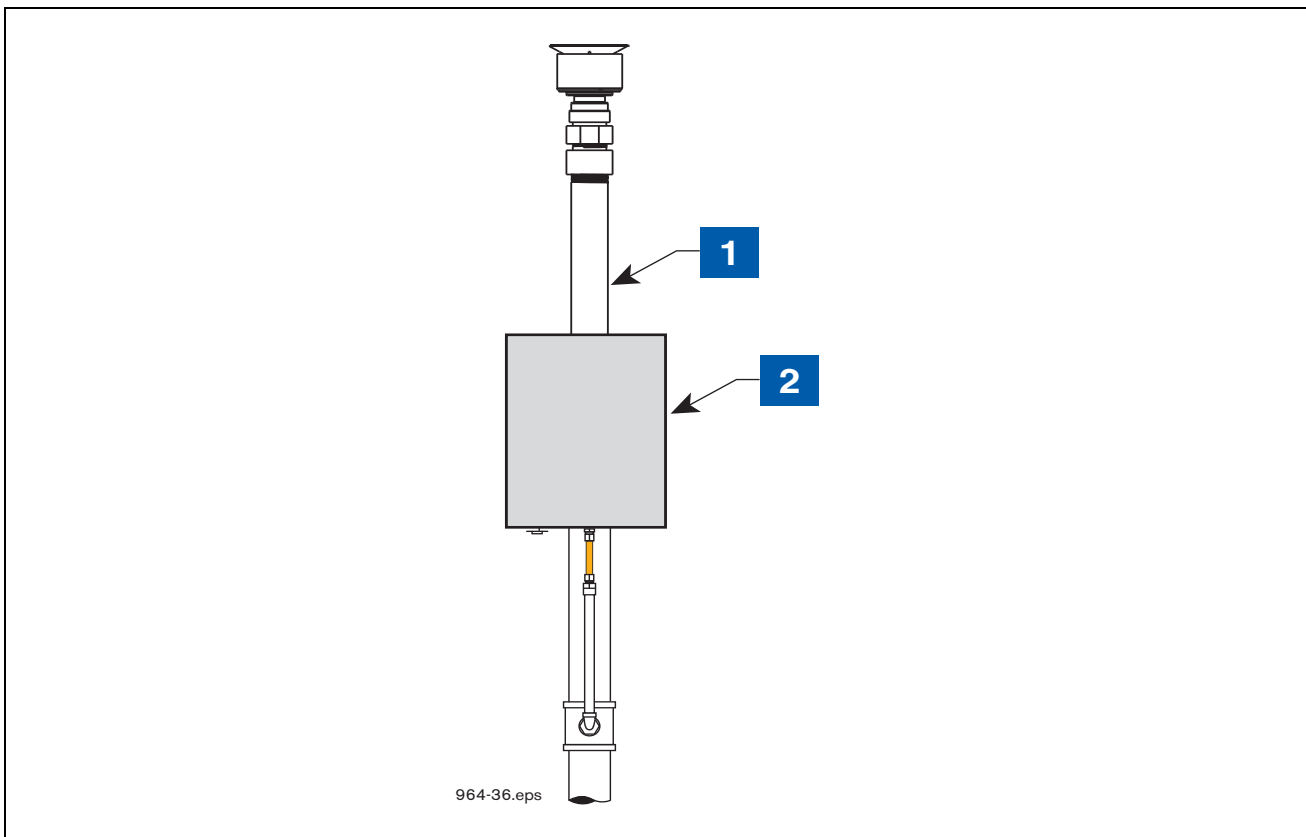


Figure 22. VRPS Mounted In Universal Enclosure On The Vent Stack

### LEGEND FOR NUMBERED BOXES IN Figure 22

1. Vent stack

2. VRPS sensor, wireless transmitter/battery in Universal Enclosure

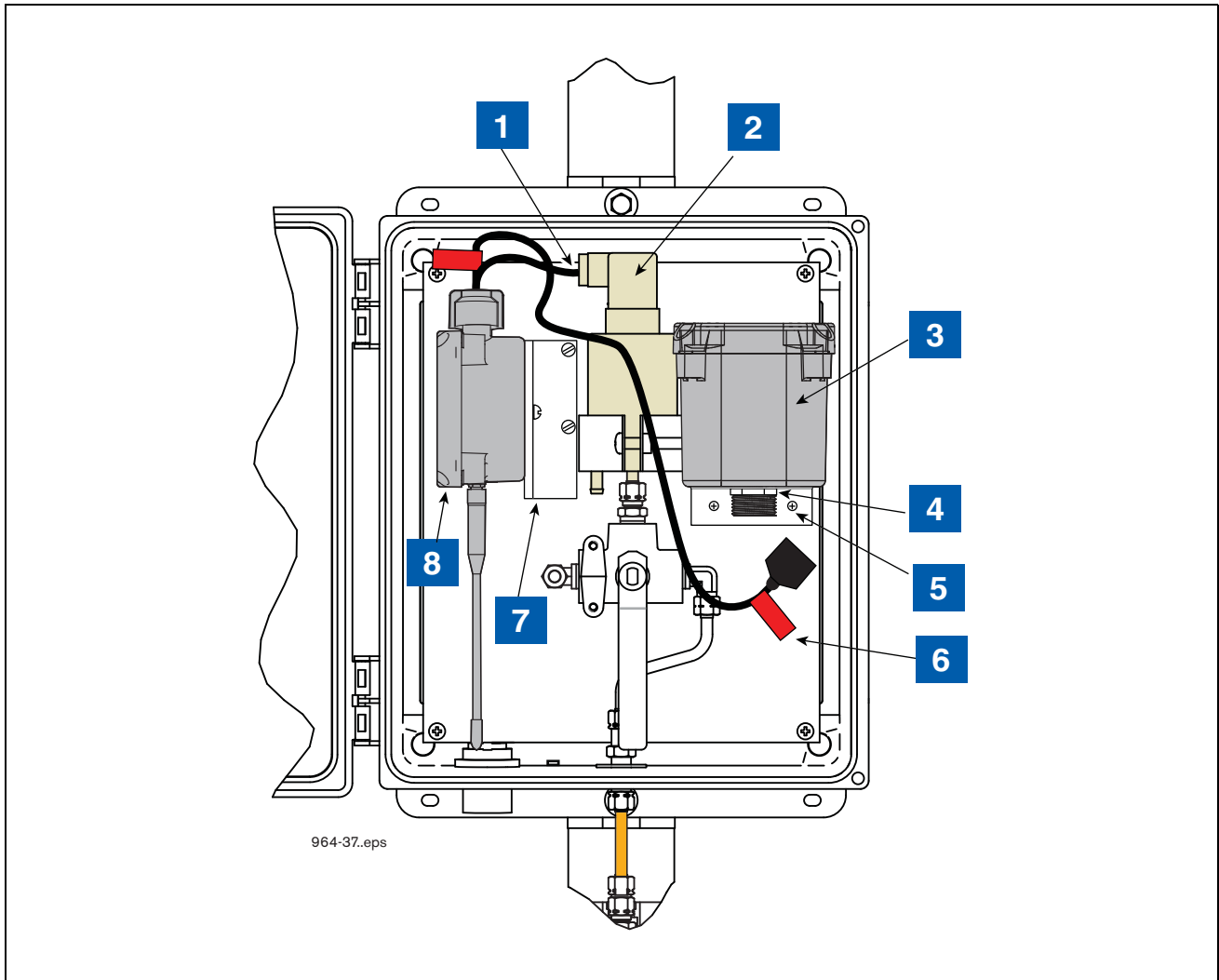


Figure 23. Example VRPS Transmitter/battery Pack Installation In The Universal Enclosure

**LEGEND FOR NUMBERED BOXES IN Figure 23**

- |                 |   |
|-----------------|---|
| 1. VRPS cable   | 5. Attach Battery L bracket using two #10 taptite screws      |
| 2. VRPS         | 6. Battery caution label attached to battery cable (2 places) |
| 3. Battery pack | 7. Attach Transmitter L bracket using two #10 taptite screws  |
| 4. Thin hex nut | 8. Transmitter  |

## ISD Component Installation

### Vapor Flow Meter Installation - Dispenser

1. A Transmitter/battery pack pair must be installed with the Veeder-Root Vapor Flow Meter (VFM) in the dispenser cabinet.
2. Install the VFM in the dispenser following instructions accompanying the VFM.
3. Using two taptite screws from the kit, attach the Transmitter housing to the side of the battery support bracket that has the two circular slots (see Figure 24). Do not tighten screws at this time.
4. Remove the cover from the transmitter. Attach the non-connector end of the cable from the VFM to the transmitter as described in the section below entitled "Connecting Cables To The Transmitter" on page 38, then attach the transmitter/L bracket assembly to the back mounting surface using two #10 taptite screws from the kit.
5. Determine a support location within the dispenser cabinet that will allow you room for the transmitter/battery support bracket. Clamp the bracket to an available support structure (see Figure 25).
6. Rotate the Transmitter antenna as close as possible to a horizontal position then tighten two mounting screws in housing.
7. Insert the battery pack into its support bracket - do not connect the battery cable to the battery pack at this time.
8. Do not replace dispenser sheet metal cover until completing the "Site Startup Procedure".

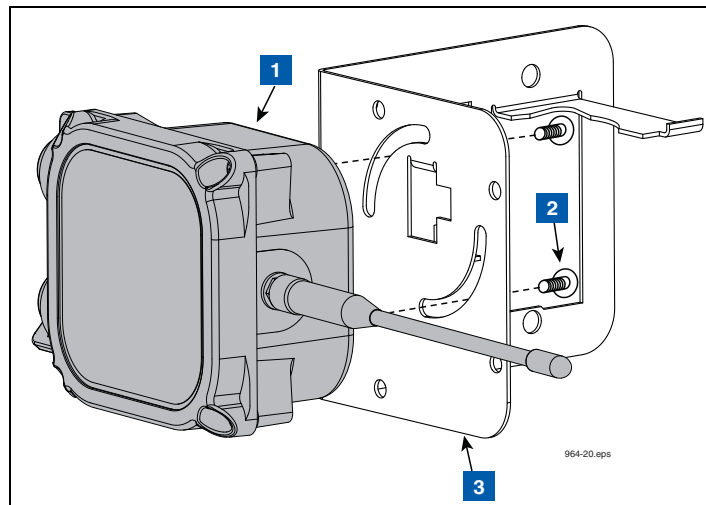


Figure 24. Attaching Transmitter To Battery Support Bracket

#### LEGEND FOR NUMBERED BOXES IN Figure 24

1. Transmitter
2. #10 x 1/2" taptite screws (2)
3. Battery support bracket

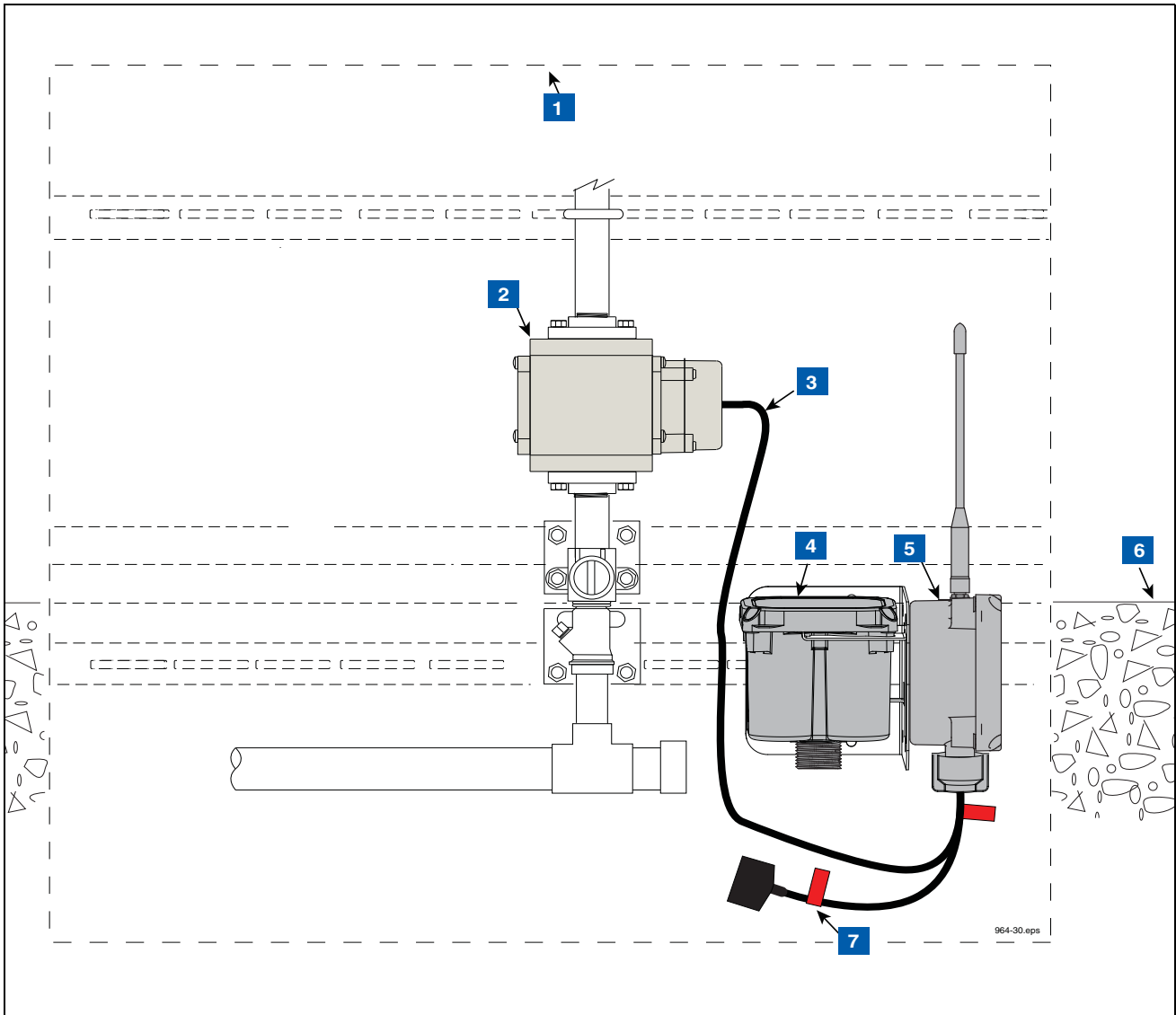


Figure 25. Example VFM Transmitter Installation In Dispenser

**LEGEND FOR NUMBERED BOXES IN Figure 25**

- |                              |   |
|------------------------------|---|
| 1. Base of dispenser cabinet | 5. Transmitter  |
| 2. VFM                       | 6. top of dispenser pedestal                                  |
| 3. VFM cable                 | 7. Battery caution label attached to battery cable (2 places) |
| 4. Battery pack              |   |

## **Carbon Canister Vapor Polisher Installation**

---

1. During the installation, all required National, State and local safety codes must be followed.
2. A Transmitter/battery pack pair must be installed with the Veeder-Root Carbon Canister Vapor Polisher (CCVP) in the Universal Enclosure mounted on the vent stack (see Figure 26).
3. Install the CCVP sensor following instructions accompanying the sensor.
4. Using two #10 taptite screws from the kit, attach the Transmitter housing to the side of the L bracket from the Universal Enclosure Kit - do not attach L bracket/transmitter assembly to the back mounting surface at this time.
5. Get the battery pack mounting bracket from the kit and put the threaded connector fitting of the battery housing through the large hole in the bracket.
6. Get the thin hex nut from the kit and screw it onto the battery housing cable connector threaded fitting until snug (see item 3 in Figure 27).
7. Attach the battery housing/bracket assembly to the back mounting surface of the Universal Enclosure using two #10 taptite screws from the kit (see item 4 in Figure 24).
8. Remove the cover of the transmitter. Connect the non-connector end of the cable that connects the CCVP to the transmitter as described in the section below entitled "Connecting Cables To The Transmitter" on page 38, then attach the transmitter/L bracket assembly to the back mounting surface using two #10 taptite screws from the kit.
9. Attach the connector end of the CCVP cable to the Carbon Canister's Vapor Polisher connector (see Figure 28).
10. Insert the battery pack into its support bracket - do not connect the battery cable to the battery pack at this time.

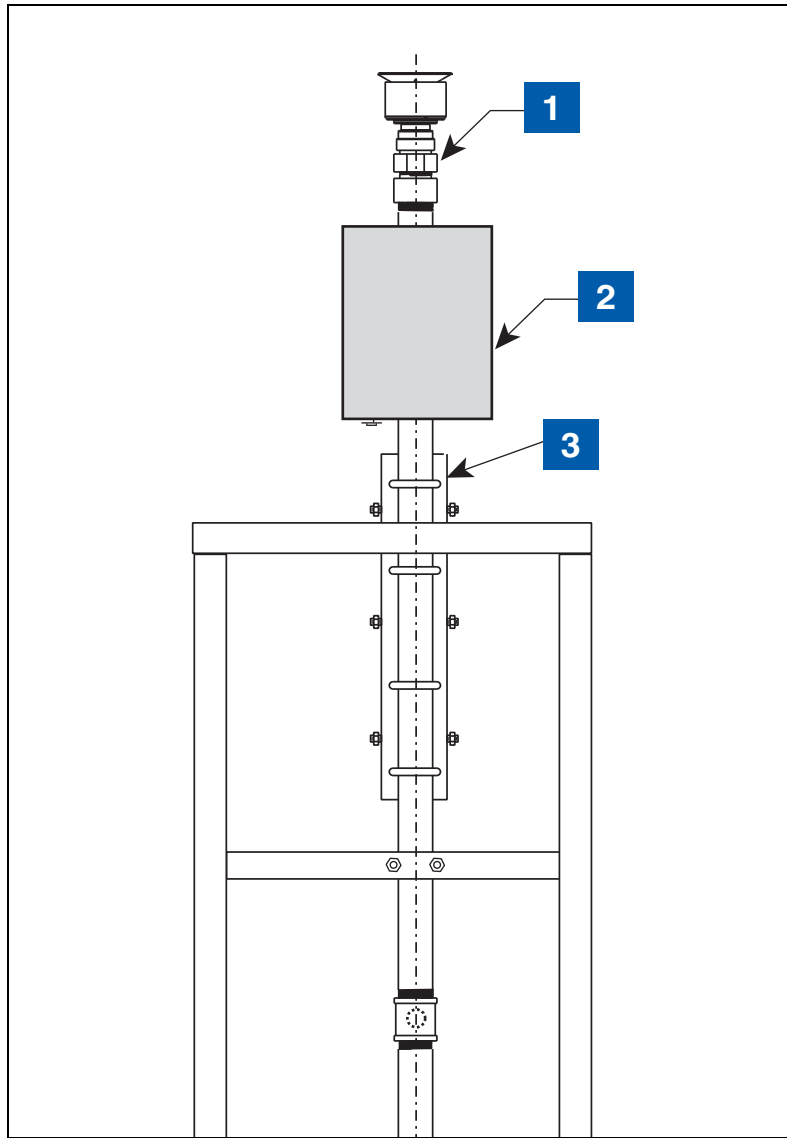


Figure 26. Example CCVP iNstallation Bracket And Universal Enclosure On Vent Stack

**LEGEND FOR NUMBERED BOXES IN Figure 26**

- |   |                         |
|---|-------------------------|
| 1. Vent stack                                   | 3. CCVP support bracket |
| 2. CCVP Transmitter/Battery Universal Enclosure |                         |



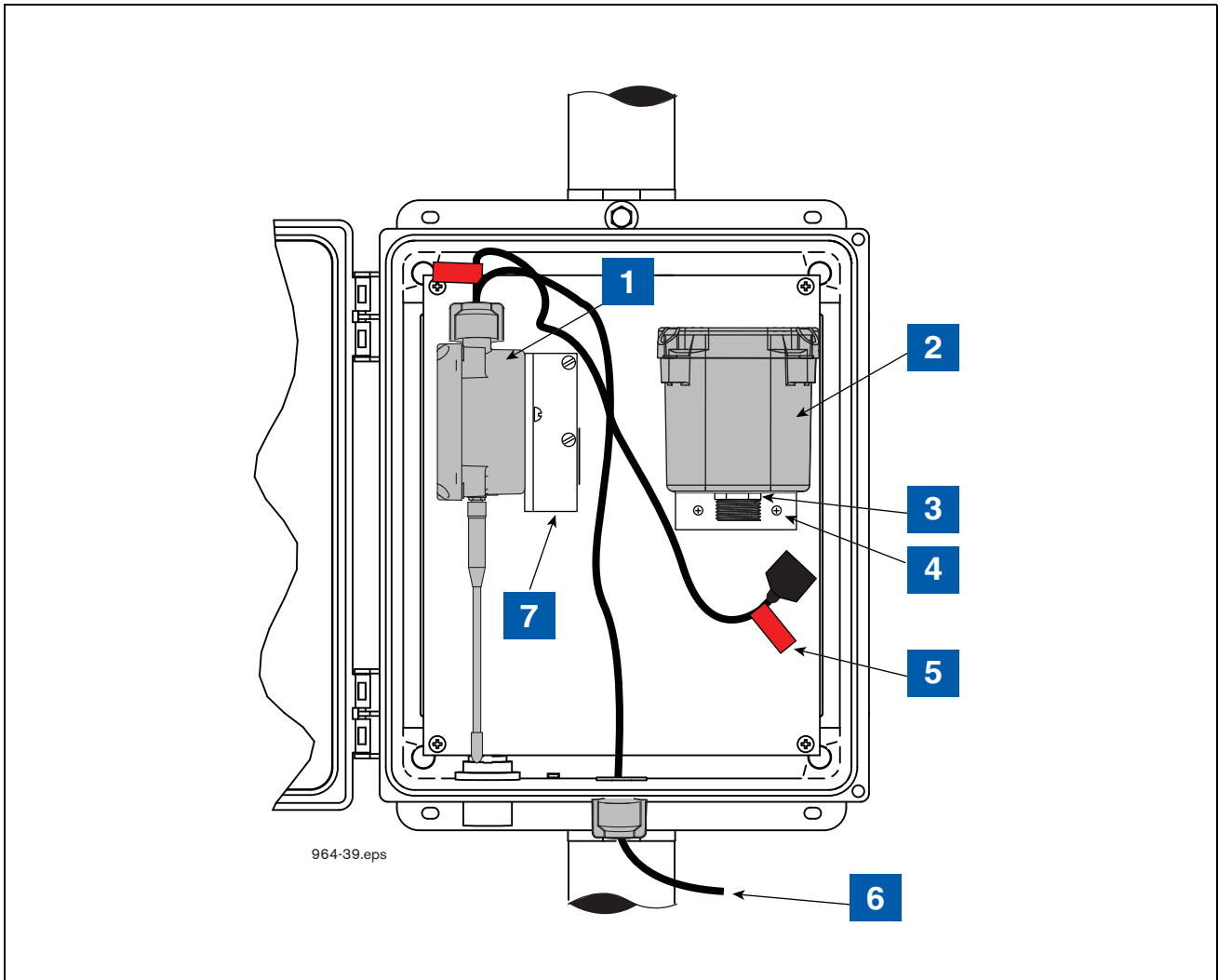


Figure 27. Example CCVP Transmitter/battery Pack Installation In The Universal Enclosure

**LEGEND FOR NUMBERED BOXES IN Figure 27**

- |  |   |
|--|---|
| 1. Transmitter   | 5. Battery caution label attached to battery cable (2 places) |
| 2. Battery pack  | 6. Cable from CCVP  |
| 3. Thin hex nut  | 7. Attach Transmitter L bracket using two #10 taptite screws  |
| 4. Attach Battery L bracket using two #10 taptite screws |   |

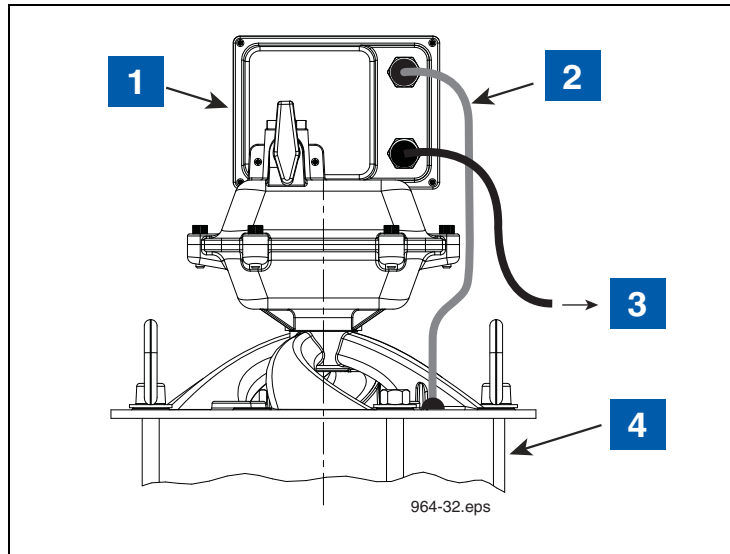


Figure 28. Attaching Transmitter Cable To CCVP

**LEGEND FOR NUMBERED BOXES IN Figure 28**

- |  |                              |
|--|------------------------------|
| 1. CCVP assembly                                   | 3. Cable to CCVP transmitter |
| 2. Cable to CCVP thermal probe (factory installed) | 4. CCVP                      |

## Connecting Cables To The Transmitter

Note: The dip switches in each transmitter must be set to the proper dip switch settings listed in Appendix C. If the dip switches are set incorrectly, this device will fail to operate properly.

1. Using a #15 torx driver, remove the cover of the Transmitter.
2. Make sure the battery/DC power cable is not connected to the battery pack (item 5 in Figure 27) or dc power source at this time.



**WARNING! To prevent ignition of flammable or combustible atmosphere disconnect power before servicing.**

3. Remove the nut from the probe/sensor cable cord grip (left side cord grip) and slide it over the non-connector end of the probe/sensor cable. Push the end of the cable into the Transmitter.
4. Strip back cable jacket and wires as shown in Figure 29.
5. All probe/sensor cables connect to the PROBE terminal block the SAME WAY - the white wire to the PWR terminal and the black wire to the GND terminal as shown in Figure 30.

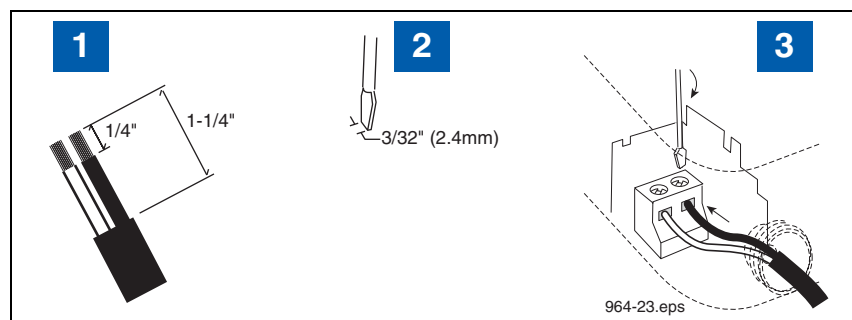


Figure 29. Connecting Input Wiring To Transmitter Terminal Blocks

### LEGEND FOR NUMBERED BOXES IN Figure 29

- |  |   |
|--|---|
| 1. Strip back cable and wire jackets the amount shown. | 3. Both wires must be tight in terminals! |
| 2. Use a screwdriver with the proper blade width.      |   |

6. Remove the nut from the power cable cord grip (right side cord grip) and slide it over the non-connector end of the power cable. Push the end of the cable into the Transmitter.
7. Strip back cable jacket and wires as shown in Figure 29.
8. Connect power cable wires to the BATTERY terminal block placing the white wire in the +IN terminal and the black wire in the -IN terminal as shown in Figure 30.



9. **Hand tighten both cable entry cord grip nuts to prevent water entry!**

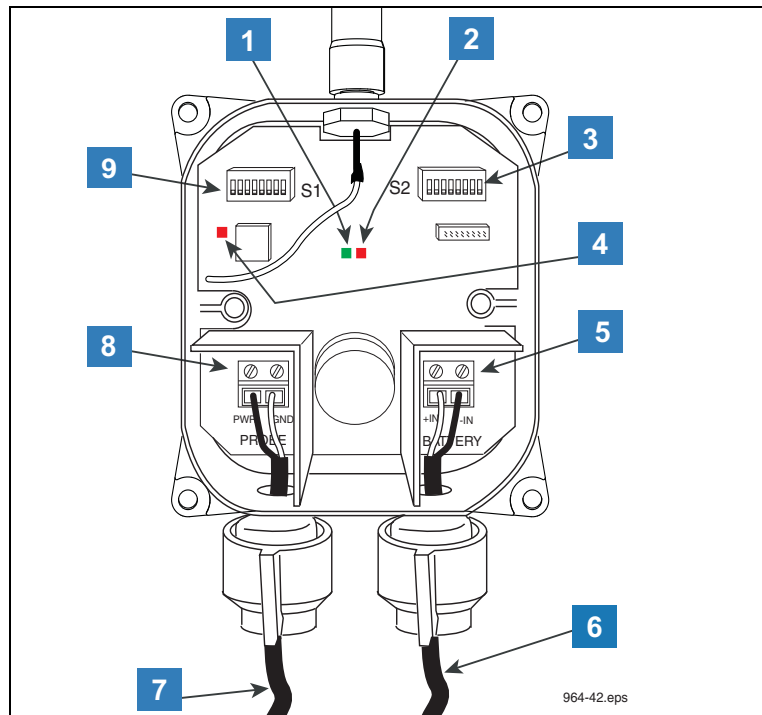


Figure 30. Wiring The Transmitter

#### LEGEND FOR NUMBERED BOXES IN Figure 30

- |  |  |
|--|--|
| 1. Green LED – Unit status.  | 6. Cable from battery or DC power source.                    |
| 2. Red LED – Radio status.   | 7. Cable from probe/sensor.                                  |
| 3. S2 DIP switch.  | 8. PROBE input terminals (PWR and GND).<br>OBSERVE POLARITY! |
| 4. Red LED – Flashes only when radio is powered on in Diagnostic Mode. | 9. S1 DIP switch.  |
| 5. BATTERY power-in terminals (+IN and –IN). Observe polarity!         |  |



**Pay close attention to the polarity of the battery input connections. Reversing the connections can cause damage to the TLS RF.**

10. To assure a water-tight seal between the cover and the enclosure, follow these steps:
  - a. Insert the four cover screws through the cover and then press on the retaining washers to hold the screws in place.
  - b. Make sure that the cover gasket is free of dirt and debris on both sides of the gasket and that the inside of the cover is clean in the gasket area.
  - c. Position the gasket into the cover groove, assuring that it is pressed fully into the groove and sitting completely flat.
  - d. Assemble the cover onto the enclosure, tightening the screws in a couple of turns each. Using an alternating 'X' pattern, continue to tighten the screws until they are all tight.
11. If you haven't done so already, attach the red battery labels from the installation kit onto the power cable below the power cord grip and at the battery pack connector or DC power source.
12. Do not attach the power cable at the battery pack or dc power source until ready to begin the "Site Startup Procedure".

## Receiver Installation

---

1. One Receiver is required per site and it is mounted in the vertical position (antenna up) on the outer wall of the same building housing the TLS RF. The Receiver is attached to its mounting bracket with #10 x 1/2" taptite screws from its install kit (see Figure 31). The L-bracket is then mounted on the outer wall of the building using appropriate fasteners (customer supplied). If the Receiver will be exposed to the weather, attach the L-bracket to the mounting surface inside a weatherproof enclosure. This enclosure is not required when mounting the Receiver under a roof overhang and shielded from the weather.

NOTE: When locating the mounting position, keep in mind that the RS-485 cable connecting the Receiver to the TLS RF must be less than 250 feet in length. Avoid placing the Receiver near motors (e.g., power roof vents), fluorescent lighting (min. 1 foot separation), pumps, welders.

Locate the Receiver on the same side of the building as the transmitters. If additional transmitters are either too far away or on the opposite side of the building, the Repeater can be located either on a structure near the remote transmitter(s) or on the opposite side of the building facing those transmitter(s) - see Repeater installation.



### **The Receiver is only suitable for use in a non-hazardous location.**

2. Run the RS-485 cable (Belden #3107A or equiv.) from the TLS RF through the building's wall to the Receiver. Caulk the cable where it passes through wall openings. Use cable clamps at appropriate intervals to secure the cable to the walls.
3. Note that the Receiver cover label indicates the cord grip to be used for the RS-485 cable from the TLS RF and the cable to the Repeater (if used). Remove the cover of the Receiver and set it aside.
4. Set S1 and S2 DIP settings as desired (ref. Appendix C, Figure C-2). NOTE: set all dip switches prior to attaching the TLS RF RS-485 cable as the dip switches are only read during power up.
5. Slide the nut over the cable. Choose the correct size bushing and slide it over the cable. Dress the cable jacket according to the dimensions in Figure 29. Insert the cable into the appropriate opening at the bottom of the housing. Insert each wire into the appropriate terminal and tighten. Leave a small amount of slack in each wire. Slide the bushing into the bottom of the housing. Hand tighten the nut.
6. Note that there are two twisted pair color-coded wires in the cable (e.g., a white with blue stripe and blue with white stripe pair and a white with orange strip and orange with white stripe pair). One of the pairs is for RS-485 communication (- & + terminals) and the other pair is for Receiver power (+15 Vdc & Gnd). Using Figure 32 as a guide, attach the wires of the two twisted pairs to the RS-485 terminals.

Record which wire attaches to each terminal to help you attach the other end of that wire to the identically marked terminal in the TLS RF.

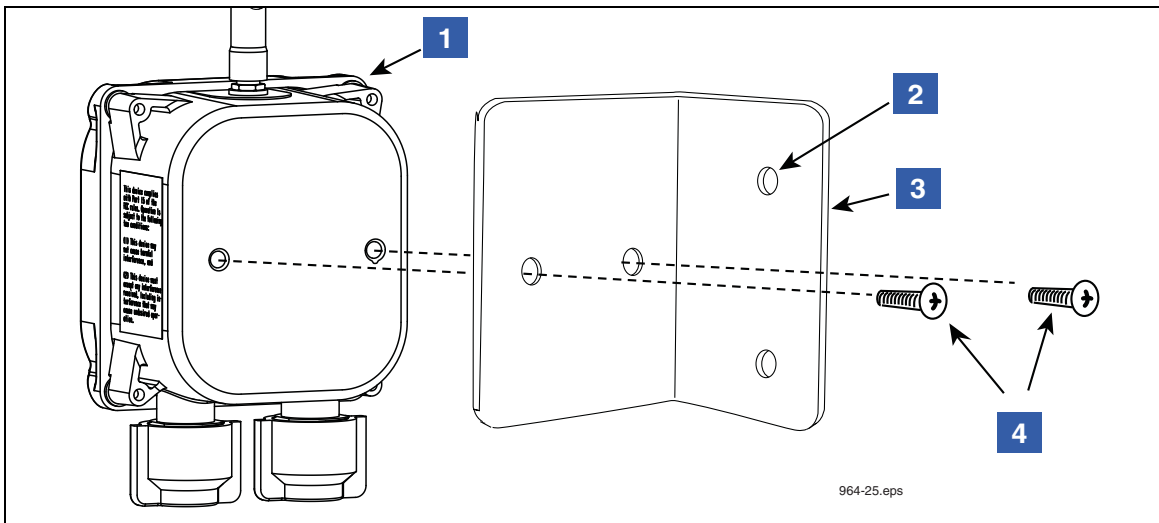


Figure 31. Attaching Mounting Bracket To Receiver Or Repeater

#### LEGEND FOR NUMBERED BOXES IN Figure 31

- |   |                              |
|---|------------------------------|
| 1. Receiver or Repeater   | 4. #10 x 1/2" taptite screws |
| 2. 0.280" diameter hole (2) – mount this narrow side of bracket to wall or post |                              |
| 3. Mounting bracket.  |                              |

7. Referring to your connection notes in step 5 above, connect the other end of the RS-485 cable to the RS-485 terminal block in the TLS RF (ref. Figure 7 on page 16).
8. If a Repeater is used and powered by the Receiver, push the two wire power cable (to Repeater) through the +15 Vdc cord grip of the Receiver (item 7 in Figure 32).
9. Slide the nut over the cable. Choose the correct size bushing and slide it over the cable. Dress the cable jacket according to the dimensions in Figure 29. Insert the cable into the appropriate opening at the bottom of the housing. Insert each wire into the appropriate terminal and tighten. Leave a small amount of slack in each wire. Slide the bushing into the bottom of the housing. Hand tighten the nut.
10. Attach the dc power cable (white to +15 Vdc and black to GND) to the Repeater terminal block (item 9 in Figure 32).



#### 11. Hand tighten both cable entry cord grip nuts to prevent water entry!

12. To assure a water-tight seal between the cover and the enclosure, follow these steps:
  - a. Insert the four cover screws through the cover and then press on the retaining washers to hold the screws in place.
  - b. Make sure that the cover gasket is free of dirt and debris on both sides of the gasket and that the inside of the cover is clean in the gasket area.
  - c. Position the gasket into the cover groove, assuring that it is pressed fully into the groove and sitting completely flat.
  - d. Assemble the cover onto the enclosure, tightening the screws in a couple of turns each. Using an alternating 'X' pattern, continue to tighten the screws until they are all tight.

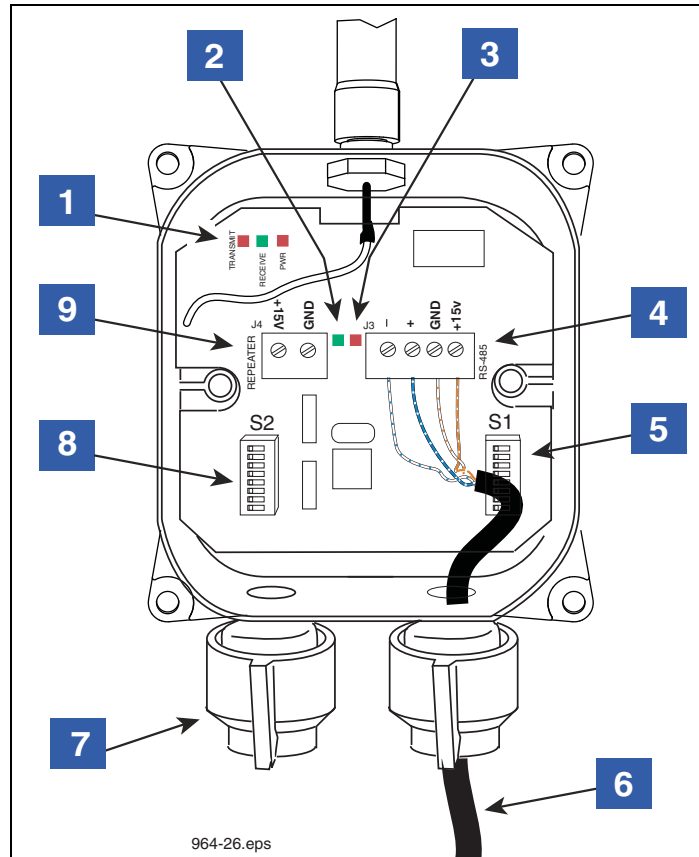


Figure 32. Wiring The Receiver

**LEGEND FOR NUMBERED BOXES IN Figure 32**

- 1. RS-485 Comm Activity:
  - XMIT (Red) LED – flashes when message transmitted to TLS-RF
  - RCV (Green) LED – flashes when message received from TLS-RF
  - PWR (Red) LED – Receiver power on indicator
- 2. Green LED – Unit status
- 3. Red LED – Radio status
- 4. Connect the color pairs of the RS-485/power cable to the same RS-485 terminals in both the Receiver and the master TLS RF (ref. “Connecting RS-485 Wiring” on page 17).
- 5. S1 DIP switch
- 6. RS-485 cable - Maximum cable length is 500 feet if a communication grade cable is used.

- 7. A solid bushing must be installed to seal the Receiver when this cord grip is unused. In sites where a Repeater is powered from the Receiver, the Repeater’s power cable enters through this cord grip and attaches to the Repeater terminal block (item 9).



**HAND TIGHTEN BOTH CABLE ENTRY CORD GRIP NUTS TO PREVENT WATER ENTRY!**

- 8. S2 DIP switch
- 9. +15 Vdc power source for the Repeater. If used, connect two wires from item 9 connector in Receiver to item 7 connector in Repeater, see Figure 33.



**Pay close attention to the polarity of the +15 Vdc and GND wires used as Repeater power source. Reversing these connections can cause damage to the TLS RF.**

## Repeater Installation

---

1. Use of a single repeater is optional but may improve system performance when installed correctly. The Repeater should be located closer to the device transmitters to rebroadcast messages to the Receiver. Use the 15 Vdc power source provided in the Receiver to power the Repeater, or use a customer supplied non-interruptible, Class 2, 15 Vdc power source. The most common method of powering the Repeater power is to use the Repeater power terminal block J4 in the Receiver (see item 9 in Figure 32).

When device transmitters are on the opposite side of the building from the Receiver, the Repeater should be mounted on the side of the building facing those transmitters. Mount the Repeater with its transmitter antenna in the up or vertical orientation.

2. The Repeater is attached to its mounting bracket with #10 x 1/2" taptite screws from its install kit (ref. Figure 31 on page 41). The L-bracket is then attached to the outer wall of the building using appropriate fasteners (customer supplied). If the Repeater will be exposed to the weather, attach the L-bracket to the mounting surface inside a weatherproof enclosure. This enclosure is not required when mounting the Repeater under a roof overhang and shielded from the weather.



**The Repeater is only suitable for use in a non-hazardous location.**

3. Set S1 and S2 as desired (refer to Appendix C). NOTE: set all dip switches prior to connecting the +15 Vdc power cable as the dip switches are only read during power up.
4. Note the cover of the Repeater indicates the cord grip to be used for the cable connecting the Repeater to its dc power source (item 5 in Figure 33). Remove the cover of the Repeater and set it aside.
5. Slide the nut over the cable. Choose the correct size bushing and slide it over the cable. Dress the cable jacket according to the dimensions in Figure 29. Insert the cable into the appropriate opening at the bottom of the housing. Insert each wire into the appropriate terminal and tighten. Leave a small amount of slack in each wire. Slide the bushing into the bottom of the housing. Hand tighten the nut.
6. Connect the 2-wire dc power cable to the Repeater terminal block, white to +15 Vdc and black to GND (see item 7 in Figure 33).



**7. Hand tighten both cable entry cord grip nuts to prevent water entry!**

8. To assure a water-tight seal between the cover and the enclosure, follow these steps:
  - a. Insert the four cover screws through the cover and then press on the retaining washers to hold the screws in place.
  - b. Make sure that the cover gasket is free of dirt and debris on both sides of the gasket and that the inside of the cover is clean in the gasket area.
  - c. Position the gasket into the cover groove, assuring that it is pressed fully into the groove and sitting completely flat.
  - d. Assemble the cover onto the enclosure, tightening the screws in a couple of turns each. Using an alternating 'X' pattern, continue to tighten the screws until they are all tight.
9. The other end of the Repeater's dc power cable connects to the Receiver's +15 Vdc output terminal (ref. item 9 in Figure 32), or to a non-interruptible, Class 2, 15 Vdc power source.



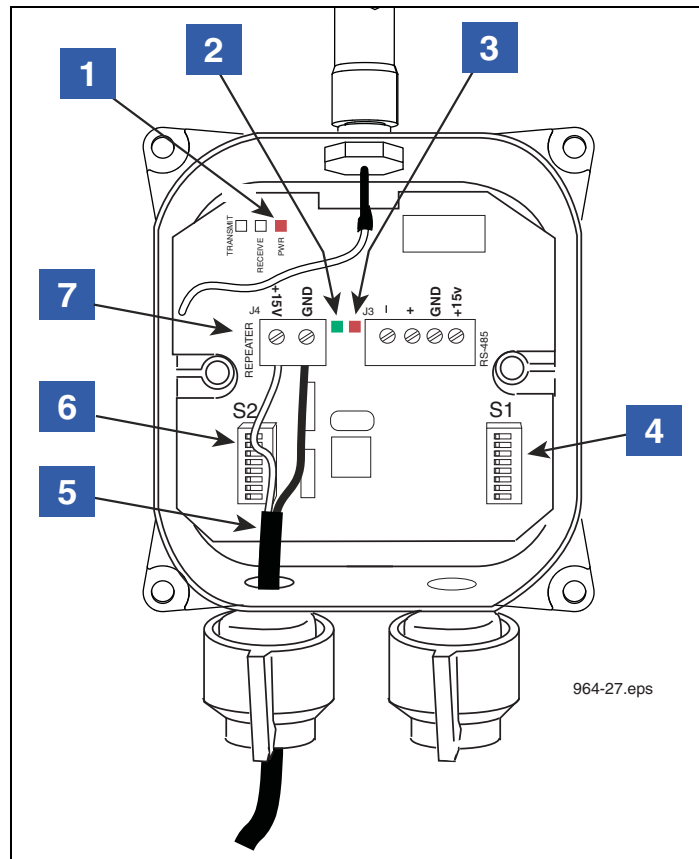


Figure 33. Wiring The Repeater

**LEGEND FOR NUMBERED BOXES IN Figure 33**

- 1. Red LED – on when power is applied.
- 2. Green LED – Unit status
- 3. Red LED – Radio status
- 4. S1 DIP switch
- 5. DC Power input cable (from Receiver [item 9 connector - see Figure 32], or dc power source)

- 6. S2 DIP switch
- 7. DC power input terminals - +15 Vdc and ground



**Pay close attention to the polarity of the +15 Vdc and GND wires from the Receiver or DC power source. Reversing these connections can cause damage to the TLS RF.**

# Network Setup

## Hardware Overview

An example TLS RF Wireless System site network illustrating a 32 Transmitter configuration is shown in Figure 34. The maximum number of Transmitters permissible in a site is 32 (requires 4 TLS RFs).

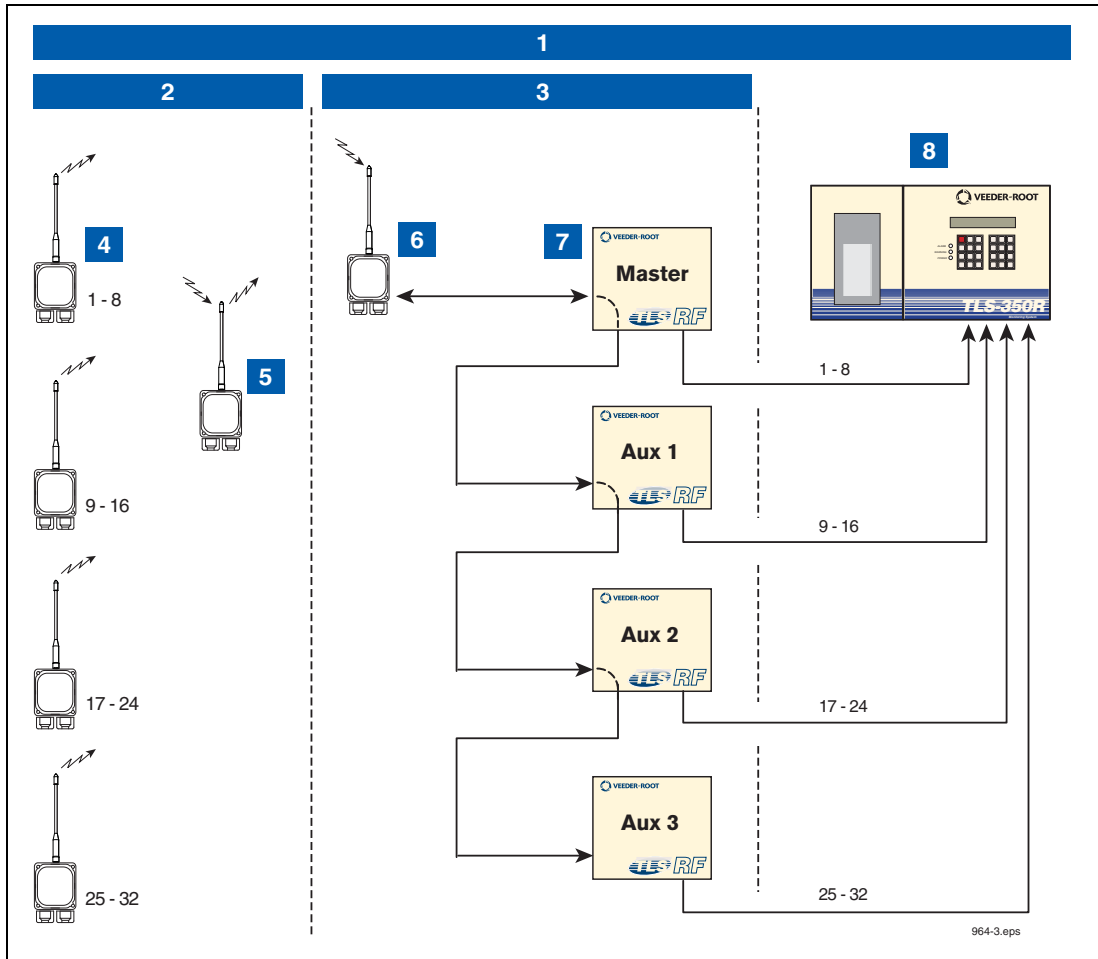


Figure 34. Example Site Network Diagram

### LEGEND FOR NUMBERED BOXES IN Figure 34

- |                     |  |
|---------------------|--|
| 1. Site Network     | 5. Repeater                                |
| 2. Wireless network | 6. Receiver                                |
| 3. VR bus           | 7. TLS RF, one required per 8 Transmitters |
| 4. Transmitters     | 8. TLS console                             |

## Identifying Devices in the TLS RF Wireless Site Network

The Site ID must be identical for all Transmitters, the Repeater, and the Receiver in the site's wireless network. Each Transmitter in the site's wireless network must have a unique Device Number (from 1 – 32). Each TLS RF in the site's network must have a unique Device Number (Master at 0 and Auxiliaries at 1, 2, and/or 3).

All Device Numbers are entered using DIP switches located in each device and are entered in each device before it is installed.

Making up a site network worksheet before actually setting device DIP switches or connecting signal wires will help prevent mistakes when entering Site IDs/Device Numbers or making wiring connections between the TLS RF(s) and the TLS console.

## Entering Device Numbers for the Site Network

### TRANSMITTER DEVICE NUMBER

Each of the transmitters must have a unique Device Number (1 – 32). Enter this number by setting DIP switches 4 – 8 on S1 (see Figure 30 on page 39) in the 'off' position or 'on' position as shown below.

### TRANSMITTER TRANSMISSION SCHEDULE NUMBER

Device Number	S1 DIP Switch Settings					Device Number	S1 DIP Switch Settings				
	4	5	6	7	8		4	5	6	7	8
1	off	off	off	off	on	17	on	off	off	off	on
2	off	off	off	on	off	18	on	off	off	on	off
3	off	off	off	on	on	19	on	off	off	on	on
4	off	off	on	off	off	20	on	off	on	off	off
5	off	off	on	off	on	21	on	off	on	off	on
6	off	off	on	on	off	22	on	off	on	on	off
7	off	off	on	on	on	23	on	off	on	on	on
8	off	on	off	off	off	24	on	on	off	off	off
9	off	on	off	off	on	25	on	on	off	off	on
10	off	on	off	on	off	26	on	on	off	on	off
11	off	on	off	on	on	27	on	on	off	on	on
12	off	on	on	off	off	28	on	on	on	off	off
13	off	on	on	off	on	29	on	on	on	off	on
14	off	on	on	on	off	30	on	on	on	on	off
15	off	on	on	on	on	31	on	on	on	on	on
16	on	off	off	off	off	32	off	off	off	off	off

964-43.eps

Each of the wireless network transmitters assigned to each device must have a 4-bit transmit interval that determines the device's polling and message transmission schedule – 0 (Standard) is the factory default.

Each of the transmit interval selections selected by S2 settings are shown below for transmitters connected to probes and transmitters connected to mag sump sensors. Enter this number by setting DIP switches 1 – 4 on S2 (see Figure 30 on page 39) in the ‘off’ position or ‘on’ position as shown below.

**Transmit Interval Selections for Probes**

Note: Reference Appendix C for a complete list of applicable devices and transmit intervals.

Transmit Interval Number	Description	S2 DIP Switch Settings				Probe Read (seconds)	Transmit Schedule (seconds)		
		1	2	3	4		Normal Operation	During Dispense	During Delivery
0	Standard	off	off	off	off	8	128	32	8
1	Standard with Tanker Loading	off	off	off	on	8	128	8	8
2	Inventory Only – 2 minute	off	off	on	off	128	128	128	128

**Transmit Interval Selections for Mag Sump Sensors**

Transmit Interval Number	Description	S2 DIP Switch Settings				Sensor Read (seconds)	Transmit Schedule (seconds)	
		1	2	3	4		Normal Operation	During Leak
0	Standard	off	off	off	off	8	128	8
1	Standard with Tanker Loading	off	off	off	on	8	128	8
2	Inventory Only – 2 minute	off	off	on	off	8	256	8
3	Inventory Only – 10 minute	off	off	on	on	8	512	8

964-45.eps

**TLS RF DEVICE NUMBER**

Each TLS RF in the site network must have a unique Device Number (0 – 3). You must select 0 if it is the only TLS RF in the site, or if it is the TLS RF in a site with multiple TLS RFs that is monitoring the first Device Set (transmitters 1 – 8). You would enter a 1 for the TLS RF monitoring the second Device Number (transmitters 9 – 16), etc. The site’s receiver must also be connected to the TLS RF having Device Number ‘0’. The factory default setting is ‘0’.

Enter this number by setting DIP switches 1 and 2 on S2 (see Figure 12 on page 21) in the ‘off’ position or ‘on’ position as shown below.

Transmitter Device Number	TLS RF Device Number	S2 DIP switch Settings		TLS RF
		1	2	
1-8	0	off	off	Master
9-16	1	off	on	AUX 1
17-24	2	on	off	AUX 2
25-32	3	on	on	AUX 3

964-48.eps

## Entering the Site ID Number

All of the site's Transmitters, Repeater and Receiver must have the same Site ID number (0 – 15) entered in S2 DIP switches 5 - 8 (see settings below). The TLS RF does not require a Site ID. The factory default Site ID number for all components is set to 0.

NOTE: You must change the factory set Site ID when another site is nearby. Adjoining sites will experience data reception 'crosstalk' if both are left at the same number.

Site ID Number	S2 DIP switch Settings				Site ID Number	S2 DIP switch Settings			
	5	6	7	8		5	6	7	8
0	off	off	off	off	8	on	off	off	off
1	off	off	off	on	9	on	off	off	on
2	off	off	on	off	10	on	off	on	off
3	off	off	on	on	11	on	off	on	on
4	off	on	off	off	12	on	on	off	off
5	off	on	off	on	13	on	on	off	on
6	off	on	on	off	14	on	on	on	off
7	off	on	on	on	15	on	on	on	on

964-49.eps

## Site Startup Procedure

---

Depending on the site layout, it is permissible to install RF devices in a variety of locations including dispensers and containment sumps. After all the wireless equipment has been installed, follow the steps below to verify the final setup. For transmitters installed in Dispensers, do not close the dispenser's cover after installing the Transmitter in case signal strength is a problem. Close the dispenser's cover only after the Transmitter passes a second verification process.

1. Turn on power to the TLS RF(s) and leave the covers open.
2. Go to the first Transmitter and connect the power cable to its power source.
3. At the TLS RF you should see one of the 8 red LEDs flashing (item 5 in Figure 12). This is an indication the transmission from the Transmitter is being received. If it is, go to Step 2a. If one of the 8 LEDs is not flashing go to Step 2b.
  - a. Go back to the Transmitter, and if applicable, replace the dispenser's cover. Return to the TLS RF and verify that the same LED is still flashing.
    - i. If it is, disconnect the battery cable from the battery pack and repeat Step 1 on the next Transmitter.
    - ii. If it is not, the Receiver is not picking up the Transmitter's signal. Go back to the Transmitter; remove the dispenser's cover, reorient the antenna or lower the Transmitter, then go back to the TLS RF to verify that the same LED is flashing.
    - iii. If reorienting the antenna or moving the Transmitter doesn't help, disconnect the battery cable from the battery pack and make a note that the signal is not being received at this particular dispenser.
    - iv. Repeat Step 1 with the next Transmitter.
  - b. If applicable, go back to the dispenser, remove the Transmitter's cover; the green LED (item 2 in Figure 5) should be flashing indicating that the sensor is being read. If the green LED is not flashing, check the sensor cable's wiring connections. If the wiring is correct, check Site ID. If it is correct, it means either the Transmitter is bad or there is a problem with the sensor, disconnect the battery cable from the battery pack and continue to Step 1 with the next Transmitter.
4. After verifying that each Transmitter is being received at the TLS RF(s), go around to each Transmitter; reconnect the Transmitters' battery cable to the battery pack. Replace dispenser's cover as appropriate. Go to the TLS console and configure all site probes/sensors. Check for any probe/sensor out or comm alarms. If none are observed, the startup is complete.

NOTE: If some Transmitters are not being received at the TLS RF, relocating the Receiver and/or the Repeater may improve reception.

## Initial TLS Console Setup Procedure

---



**CAUTION! Failure to follow your applicable startup procedure will result in the probes/sensors not being recognized.**

- **Sites with a New TLS-450/, TLS4 or TLS-XB Only**
  1. Power up all wireless devices.
  2. Power up the TLS RF console and wait about 5 minutes.
  3. Power up the TLS-450 console and wait 5 minutes until the device 'Discover Mode' is Complete.
- **Sites with all Other TLS Consoles**
  1. Power up all wireless devices
  2. Power up both the TLS and TLS RF consoles.

# Diagnostics

## Alarms

---

During normal operation when the TLS Console and monitored PMC and ISD System are functioning properly and no warning or alarm conditions exist, the "ALL FUNCTIONS NORMAL" message will appear in the system status area of the console display. Regardless of the TLS Console in use at this site, record the software part number as well as the software revision.

There is an additional alarm, Battery Status (TLS-350 only), when wireless equipment is used in place of wires. ISD, PMC and Smart Sensor warnings and alarm are the same. If a warning or alarm condition occurs as a result of a failure in the wireless communication hardware the system displays the communication failure for the effected Smart Sensor. If more than one condition exists, the display will alternately flash the appropriate messages. The system automatically prints an alarm report showing the warning or alarm type, its location and the date and time the warning or alarm condition occurred.

Any break in link between transmitter and sensor, or between TLS and TLS RF results in Communication Alarm. All other alarms related to individual sensor types, such as sensor fault alarm, are supported as they are with a wired system. When the Sensor Transmitter has determined the communication with the RF box has failed it will command the Vapor Valve to close. The valve will remain closed until an open command is sent (from the TLS) after communication is reestablished.

## Battery Diagnostics

---

You can get the battery status from the TLS-350 (with software Version 30A or higher). The battery status is displayed for the wireless sensors, from the Smart Sensor Diagnostics (see Figure 35). The wireless sensors's battery status can also be printed from that screen.

The battery status for the wireless sensors is reported as Full, Medium, Low or Replace.

- Full: greater than or equal to 3.4 Volts
- Medium Range: 3.2V to 3.4 Volts
- Low range: 3.0V to 3.2V
- Replace: Below 3.0V

When the Smart Sensor battery reports a status 'Replace' continuously for 24 hours, a Smart Sensor warning will be posted on the TLS to alert the operator that the battery requires replacement. The warning will persist in the TLS until the battery reports 'Medium' or 'Full'. The alarm will clear at that time. This is a low priority TLS warning which will sound the beeper, flash the yellow warning light, post on the two line display, print on the printer and be recorded in the non-priority alarm history. The warning can be accessed remotely and be reported remotely similar to all TLS warnings and alarms. This warning will not appear in the ISD or PMC reports (only sensor failures are recorded in the ISD and PMC reports).

## WIRELESS SENSOR DIAGNOSTIC MENU (TLS-350 CONSOLES)

The Battery Status for all wireless Smart Sensors will be displayed in the menu after the Serial Number (see Figure 35).

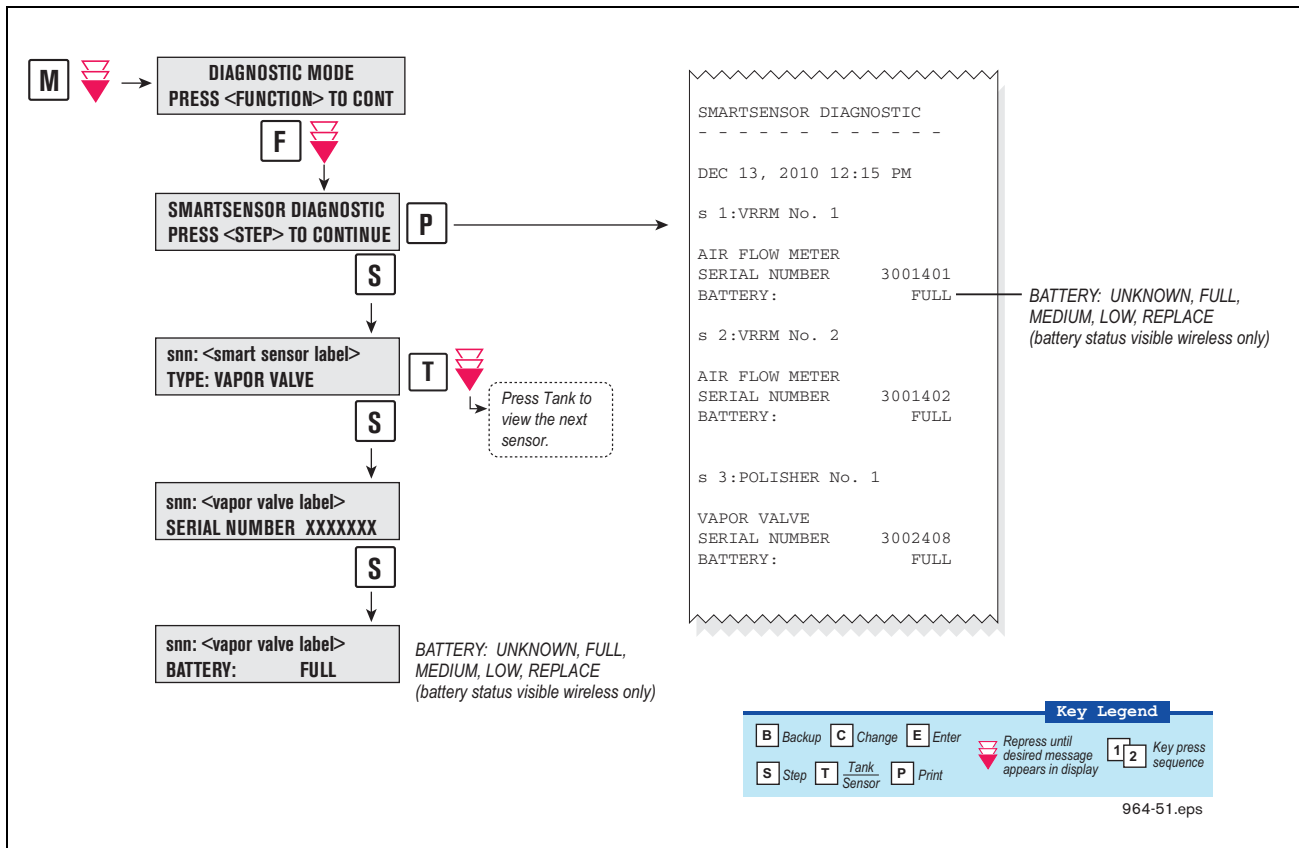


Figure 35. Device Battery Status In TLS-350 SmartSensor Diagnostic Menu



## Background Information On TLS RF Wireless System

### Antenna Propagation Basics

---

The Veeder-Root TLS RF Wireless System site consists of one Server (Receiver) and one or more Client units (Transmitters) and uses the Frequency Hopping Spread Spectrum (FHSS) method of signal transmission in which each transceiver is programmed to follow a set of channels called the 'Hopset'. Federal Communication Commission (FCC) regulations state that for FHSS: each transceiver may dwell on any given frequency in the Hopset for no more than 400 milliseconds in any 30 second period. Authorized channel bandwidth is 1 MHz and channel spacing is 25 kHz.

The propagation of radio waves in FHSS applications, i.e., the TLS RF Wireless System, is influenced by several factors:

#### ANTENNA OPERATION

The antenna is a transducer, which converts radio frequency electrical energy fed to it (via the transmission line) to an electromagnetic wave propagated into space. Assuming that the operating frequency in both cases is the same, as in the TLS RF Wireless System, this process is reciprocal in nature - the antenna will perform identically in Transmit or Receive mode. The same Antenna and Transmission Line path is used for both transmit and receive functions.

#### FREE SPACE LOSS

Signal power is diminished by geometric spreading of the wavefront, commonly known as Free Space Loss (FSL). For TLS RF Wireless System sites having relatively small distances between the Receiver and Transmitters, FSL is not an issue.

#### ATTENUATION

When the RF signal passes through solid objects, some of the signal power is absorbed. The most convenient way to express this is by adding an "allowed loss" to the Free Space Loss. Attenuation can vary greatly depending upon the structure of the object the signal is passing through. Metal in the barrier greatly increases the attenuation. Thickness also increases the loss. General rules of thumb for attenuation are:

- Trees account for 10 to 20 dB of loss per tree in the direct path. Loss depends upon the size and type of tree. Large trees with dense foliage create greater loss.
- Walls account for 10 to 15 dB depending upon the construction. Interior walls are on the low end and exterior walls, especially those with stucco, create more loss.
- Floors of buildings account for 12 to 27 dB of loss. Floors with concrete and steel are at the high end and wood floors are at the low end.
- Mirrored walls have very high loss because the reflective coating is conductive.

#### SCATTERING

RF signals can reflect off of many things and the direct signal combines with signals that have reflected off of objects that are not in the direct path. This effect is usually described as multipath, fading, Rayleigh fading or signal dispersion. When RF signals combine they can be distorted. The distortion degrades the ability of the Receiver to recover the signal in a manner much like signal loss.

#### RADIO LINE OF SIGHT

Radio Line of Sight (LOS) refers to the ability of the Receiver to 'see' the Transmitter. In TLS RF Wireless System sites, the preferred positioning of the Receiver is one that is visible from the Transmitter's location. When Radio

line of sight is impossible, e.g., transmitters are on opposite sides of the building, a Repeater should be installed that is positioned at a point that is both visible from the Transmitter and from the Receiver. The Repeater to Transmitter(s) signal path is much more significant than the Repeater to Receiver path.

## INTERFERENCE

Interference may be caused by several possible sources:

- In-band signals originating from other systems
  - Reflections, multipath
  - Receiver front-end overload, produced by adjacent Transmitters such as a microwave tower, etc.
- The nature of Frequency Hopping Spread Spectrum systems is such that interference would tend to degrade throughput, rather than cause the cessation of link operation. Even in such instances, the inherent immunity to interference provides that extra margin of safety. When all antenna orientation possibilities are tried and one or more Transmitters still cannot be received, move the Repeater to a new location.

## RF Device Troubleshooting

1. Attach your laptop to the TLS RF's RS-232 serial port (see Figure 36).

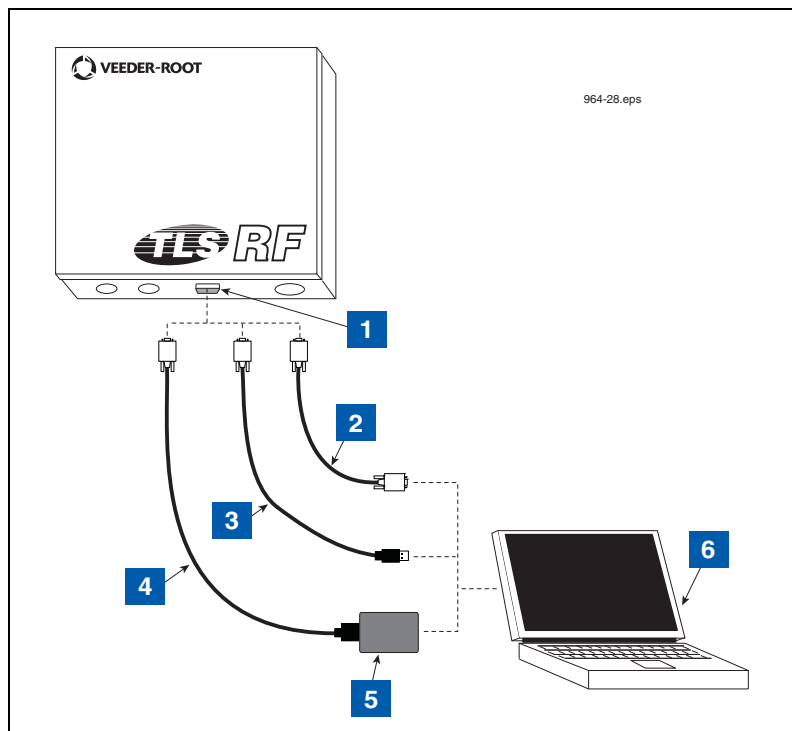


Figure 36. Laptop To TLS RF Example Connections

### LEGEND FOR NUMBERED BOXES IN Figure 36

- |  |   |
|--|---|
| 1. RS-232 (DB9 female)                         | 5. PCMCIA card (customer supplied)  |
| 2. Standard RS-232 cable (customer supplied)   | 6. Laptop with a serial communications program, such as Hyper-Terminal (customer supplied). |
| 3. USB to DB9 serial cable (customer supplied) |   |
| 4. PCMCIA to serial cable (customer supplied)  |   |

- Open a serial communications program, such as HyperTerminal (available in Windows under Start\Programs\Accessories\Communications). Set the comm port settings to: 9600 Baud, 8 data bits, no parity, 1 stop bit.
- Perform the following steps on a PC with the HyperTerminal application program running. TLS commands are case sensitive and use a Control-A to identify the start of a command. Enter a Control-A by holding the Ctrl key down while pressing the A key, then release the Ctrl key. Next, type in the command, I31500. An example of the 315 command response in a site with 8 Transmitters is shown in Figure 37.

Note: Example is given only for one TLS RF console, if there is more than one TLS RF console installed; connect the serial cable to the second TLF RF to see the next 8 devices. Repeat this step for the each TLS RF console.

```

I31500

SMART DEVICE STATUS

DEV TXID STATE REASON TYPE S/N TOTL COMMS REPT COMMS LAST COMM
01 01 OK PROBE 999553 161 80 0000:00:00:03
02 02 OUT NO_DATA PROBE 999569 0 0 9999:99:99:99
03 03 OUT TIMEOUT PROBE 999503 0 0 0000:13:21:13
04 04 OUT NO_READ MAGSN 999023 360 180 0000:00:00:01
05 05 OUT NO_CNST ????? 000000 0 0 9999:99:99:99
06 06 OUT NO_CNST ????? 000000 0 0 9999:99:99:99
07 07 OUT NO_CNST ????? 000000 0 0 9999:99:99:99
08 08 OUT NO_CNST ????? 000000 0 0 9999:99:99:99

NOTE: MAG SN = Mag Sump Sensor
964-29.eps

```

Figure 37. Example 315 Command Response

## DEV COLUMN

The TLS RF supports 8 wireless devices (see Table 1 on page 1), numbered 01 thru 08. The device number corresponds to its intrinsically safe data-out terminal wiring position on the TLS RF.

## TXID COLUMN

The TLS RF Wireless System can support up to 32 Transmitters and each must have a unique ID. This column shows the ID that was set in the Transmitter when it was installed, e.g., Master RF Console ID - 01 to 08, Aux 1 (RF Console) ID - 09 to 16, Aux 2 (RF Console) ID - 17 to 24 and Aux 3 (RF Console) ID - 25 to 32.

## STATE COLUMN

The device state is OK or OUT. When the state is OUT, the TLS RF will not respond to the TLS console polling for this device. The OUT state will cause the TLS console to post a Probe-Out or Comm alarm for this device.

## REASON COLUMN

There are four reasons for a device to have an OUT state:

### NO\_CNST

In order to conserve energy the Transmitter sends messages in 3 groups: constant data, fuel/water data, and fuel/water/temperature data. The TLS console will automatically request transmission of these constants when needed. The TLS RF will store the constants in non-volatile memory so that the constant data can be restored after a power cycle. The status of a device will be OUT if the constant data has not been received (NO\_CNST).

**NO\_DATA**

Fuel/Water data is transmitted at different rates depending on activity and power-up/service switch status. The maximum transmission period is 2 minutes, the minimum 8 seconds.

Temperature does not have to be read as often as fuel/water data. It is transmitted once every 2 minutes along with the fuel/water data. The status of a device will be OUT if it has not received fuel/water/temperature data (NO\_DATA).

**TIMEOUT**

If no transmissions are received for the timeout duration programmed in the TLS RF, the device OUT status's reason will be set to TIMEOUT. This state overrides all other states.

**NO\_READ**

The Transmitter can detect when a device is not responding correctly. In this case the Transmitter will transmit a device-out message. In turn the TLS RF will set the status of a device to OUT (NO\_READ).

On power-up the TLS RF will read its non-volatile memory to restore constant data. If the constant data is available it will then set the device to the OUT condition with the reason code: NO\_DATA. When fuel/water level and temperature data are received the NO\_DATA condition will be removed and the device will be set to the OK status. If there is no constant data the device OUT reason code will be NO\_CNST. The device will be removed from this state when constant and fuel/water/temperature data are received. If no transmissions are being received from the device the TIMEOUT reason code will replace the previous reason code.

**TYPE AND SN COLUMNS**

If the device constants are available, the device type and device serial number will be placed in these columns. If the constants are not available the type column will be filled in with '?????' and the serial column with all zeros (000000).

**TOTL COMMS**

A running total of all messages received from this device. This includes messages that were repeated by the Repeater.

**REPT COMMS COLUMN**

This column displays a running total of all messages received from this device that were repeated from the Repeater. Subtracting the repeated total from the total comms value will result in the total number of direct messages received: Total Direct Messages = TOTL COMMS - REPT COMMS.

**LAST COMM COLUMN**

This column displays the duration since the last message received from this device. Display is in days:hours:minutes:seconds format. The 9999:99:99:99 time indicates no messages have been received since the TLS RF has been powered on.

**TLS-RF Wireless Troubleshooting**

---

Possible reasons for not receiving data from a device are:

- Dead battery
- Defective transmitter
- Incorrect addressing on transmitter

- Two devices with the same address
- Defective probe/sensor
- Faulty cable or connection
- Wiring between TLS RF and probe/sensor board is incorrect or faulty
- Bad channel on probe/sensor board

### **SINGLE DEVICE OUT**

1. Remove the cover of the relevant Transmitter to access the LEDs (refer to Figure 30).
2. If there is no activity with the LEDs in the transmitter:
  - a. Measure the voltage of the battery which should be 3.4 Vdc or higher.
    - i. If less than 3.0 Vdc, replace battery.
    - ii. If battery tests okay disconnect and reconnect transmitter.
    - iii. If no LED activity replace Transmitter.
    - iv. Continue on to step 3.
3. Transmitter LEDs timing
  - Smart sensors
    - The green LED will blink every 32 seconds.
    - The red LED will blink twice, pause for a second, then blink twice, if there is an error.
  - Probes
    - Red and Green LEDs will blink every 2 minutes when idle.
    - LEDs will blink every 8 seconds during a delivery.
  - a. If LED timing is incorrect, check the setting of the dip switches.
    - i. Determine if Transmitter has a valid address on S1 or S2 (Refer to Figures C-3 and C-4 in Appendix C).
    - ii. Determine if Site ID is correct; (Refer to Figure C-10 in Appendix C).
    - iii. If this is a Vapor Flow Meter or Pressure Sensor, check SW 2 (refer to Figures C-8 and C-9 in Appendix C) - Position 2 must be set to ON in order for these sensors to function.
    - iv. Ensure that there are no other devices with the same address.
4. Determine if the probe/sensor or the cable is defective.
  - a. Connect the probe/sensor directly up to the tank monitor.
    - i. If the device is not read replace device and/or cable.
5. If no problems are found with the device or the Transmitter, check the wiring between the TLS RF and the TLS console.
  - a. Check for any loose connections
  - b. Ensure the wires have the correct polarity.

### **MULTIPLE OR ALL DEVICES OUT**

#### **TLS-RF**

1. Locate the 5 LEDs on the left side of the main board in the TLS-RF. (Refer to Figure 12). The red LED (item 3) indicates power.

- a. If the power LED is not lit, measure voltage on the AC input terminal. If 120/240 Vac is not present check breaker in power panel.
  - b. If there is power going to the TLS RF but it fails to operate, replace the TLS RF.
2. The red and green LEDs (Item 2) above the power LED flash when the TLS RF communicates with the Receiver.
  - a. If the LEDs are not active, measure voltage on the RS-485 4-position wiring connector across the G and +15 terminals. (Refer to Figure 7).
    - i. If there is no voltage replace the TLS RF board.
    - ii. If there is voltage proceed with the Receiver troubleshooting.
3. Locate the red LED (Item 6 in Figure 12) in the TLS RF. This LED flashes when TLS console is polling device data.
  - a. If the red LED is not flashing check connections to the TLS console.
    - i. Verify the TLS console and wiring are operational.
    - ii. If the TLS console and connections are good replace the TLS RF.
  - b. If the red LED (Item 6 in Figure 12) is flashing check for individual device LEDs (item 5 in Figure 12). If a device LED is not flashing refer to single device out troubleshooting.
4. The top red and green LEDs (Item 1 in Figure 12) will flash only when the RS-232 port is accessed for diagnostics.
5. Check the S2 dip switch (Item 7 in Figure 12). The default setting for positions 1 and 2 is OFF.

## RECEIVER

The 3 LEDs located along the top of the Receiver indicate transmit (red), receive (green) and power (red). (Refer to Item 1 in Figure 32).

1. If the red power LED is not lit check for 15Vdc on the RS-485, 4 position wire connector on the right side of the board.
  - a. If voltage is present but the LED is not lit, replace the Receiver.
  - b. If there is no voltage, check for faulty wiring going to the TLS RF and double check the voltage in the TLS RF at the RS-485 4-position wiring connector across the G and +15 terminals.
2. If the red power LED is lit but the transmit and receive LEDs are not flashing, check dip switches (item 8 in Figure 32).
  - a. Dip switch positions 1 to 8 should be set to Off.
  - b. Verify S2 to make sure Site ID is set correct (refer to Figure C-10 in Appendix C).

## RESETTING DATA IN THE TLS RF

NOTE: The data is reset when the TLS RF is power cycled or reset with the serial command S001 (except Constants which are stored in flash memory).

It is also possible to reset the Total and Repeater Comms totals remotely with the following command:  
S315ss149.

## Appendix A: Site Survey for Wireless Probes

### OBJECTIVE

---

The objective of the site survey are:

- To acquire information that will ensure that all the items necessary to complete the installation are ordered and supplied.
- To establish where the system assemblies will be best located, so that this information can be passed on to the installation team.
- To establish any site conditions or anomalies that will affect the installation.
- Ultimately to ensure the completed installation is of the required high standard.

### METHOD

A trained person certified by GVR should undertake the site survey; this person will collect the necessary information and then submit this information in a specified format.

### Instructions to Survey Engineer

---

#### OBJECTIVE

The Survey engineer needs to provide accurate site information so that when the System is installed and commissioned it will function reliably, and meet the requirements of the customer.

#### METHOD

The need for a survey will be triggered by a sales enquiry. The surveyor will require the following basic information:

- Site name and address
- Customer
- Telephone number
- Gauge type
- Number of tanks to be gauged
- Additional sensors
- Special instructions

### Completion of Site Survey Form

---

#### OBJECTIVE

The aim of the survey sheets is to record data collected at the time of the survey to enable correct equipment specification, identify all works necessary before the installation date, special tools or equipment required for installation, and site specific data required for a successful commissioning.

## METHOD

Take all details and measurements necessary to complete the site survey.

The form has to be completed in the same format by all surveyors. This is so that when our orders are placed with the local distributor, the administrator will understand clearly the information on the survey and will be able to compile an accurate parts list.

Note: The local installer will be responsible for the labor element and any locally supplied parts the survey should provide enough information for them to be able to do this successfully.

## Key Information

---

### SURVEYORS DETAILS

- Name of surveyor
- Company
- Date of survey
- Name/address/telephone number of installation company

### GENERAL SITE DETAILS

- Site name and address (include country and local postcode)
- Telephone number (s)
- Site contact name
- Oil company (or group company name)

### TANK INFORMATION

- Number of tanks to be monitored
- Number of any tanks not to be monitored
- State available probe entry size for each tank
- Check that there are no internal obstructions to the probe
- Determine the tank diameter (height) and probe length required
- Identify any tank lid that has no entry and advise action required
- Note product type of each tank
- Note Safe Working Capacity (SWC) for each tank
- Note max tank capacity of each tank if available (e.g. dipstick top mark or dipchart)
- State whether the tank is single tank, and indicate the end shape if known
- State if the tank is siphon or line manifolded
- Indicate the number of lids on the tank
- Indicate if the tank has a STP fitted
- State whether the tank is single or double wall
- State if the tank is of steel or fiberglass construction



- If double walled, does it have a leak monitoring device fitted
- State whether the tank is direct fill or offset fill
- State the approximate age of the tank

### **MANHOLE CHAMBER INFORMATION**

- Manhole construction
  - Shape (circular, square etc.)
  - Wall material (concrete, etc.)
  - Wall profile (smooth, ribbed)
- Manhole depth (Underside of cover to top surface of lid)
- Indicate if the manhole is less than 18 inches in depth
- Lid material
- Ease of removal (Two-man, special lifter required etc.)
- Accessibility (any restrictions?)
- Vehicle parking (are vehicles regularly parked for long periods)

### **PROBE RISER SPECIFICATION**

- Fittings required to adapt a 2" riser to the riser entry orifice
- Max allowable riser length (formula = manhole depth – [transmitter unit height – 3 inches])

### **PROBE TRANSMITTER CONSIDERATIONS**

- The Transmitter needs to be installed towards the centre of the manhole chamber, away from metal edges.
- They should be installed as high up in the chamber as possible, but no closer than 1 inch from the cover.
- Manholes that have vehicles parked over them for any length of time should be avoided.
- The antenna will need to be horizontal and bisecting the angle between the Receiver and the Repeater
- The most suitable type of fixing bracket will need to be specified for each manhole.

### **TLS CONSOLE**

State the pre-specified location for the TLS console and indicate this on your site plan. Note: If the position for the new TLS console has not been specified the Survey engineer should advise and agree with the customer the most suitable location for the console. (Note to survey compiler: Add a list of the normal considerations in the reference notes section)

### **RECEIVER LOCATION**

You should choose a suitable site for the Receiver, based on the following guidelines:

- One receiver is required per site
- The Receiver is mounted with its antenna in a vertical position on the outer wall of the building in which the TLS RF console is installed. Locate the receiver on the side the structure facing the tanks to provide an unobstructed signal path to all Transmitter units.

- The RS-485 cable (Belden #3107A or equiv.) connecting the Receiver to the TLS RF console must be less than 250 feet.
- Avoid placing Receiver near fluorescent lighting (min. 1 foot) or other source of electrical interference.

### **TLS RF W2 CONSOLE LOCATION**

You should choose a suitable location for the TLS RF console, this would normally be within close proximity to the TLS console, with consideration given to the following guidelines:

- The TLS RF console must be protected from severe vibration, extremes in temperature and humidity, rain, and other conditions that could harm computerized electronic equipment. Select a mounting location on the inside of the same building housing the TLS console.
- The distance between the TLS RF console and the Receiver can not exceed 250 feet.
- Once you have tagged the ideal mounting position for the TLS RF console and the Receiver, measure the RS-485 cable run between the two. If the connecting cable's length would exceed 250 feet, it would be better to move the TLS RF console's mounting position closer to the receiver (i.e., within the 250 foot limit) since the receiver must have close proximity (ideally line of sight) to the sump Transmitter.

### **REPEATER LOCATION**

The most important concern is to ensure an unobstructed path for data transmission between underground Transmitters and the Repeater.

### **SITE CONDITIONS OR SPECIAL NEEDS**

State any site conditions or special requirements that will be needed to complete the installation and commissioning, for example:

- Two men and specialist equipment for deep manholes
- Tower scaffold or ladders for fixing the Repeater and Receiver
- Additional lighting if working in dark rooms etc.
- Heavy or abnormal manhole covers
- Accessibility - Locked rooms, etc.

### **Sketches**

---

The surveyor should produce sketches that show the locations of the Transmitters, Repeater, Receiver, TLS RF console and TLS console relative to each other. These sketches to include distances were appropriate, traffic flow and parking areas for vehicles including fuel and other delivery vehicles to site.

## Appendix B: Regulatory Information

### Federal Communications Commission Notice

---

This equipment has been tested and found to comply with the limits for a Class B digital device, pursuant to Part 15 of the FCC Rules. These limits are designed to provide reasonable protection against harmful interference in a residential installation. This equipment generates, uses, and can radiate radio frequency energy and, if not installed and used in accordance with the instructions, may cause harmful interference to radio communications. However, there is no guarantee that interference will not occur in a particular installation. If this equipment does cause harmful interference to radio or television reception, which can be determined by turning the equipment off and on, the user is encouraged to try to correct the interference by one or more of the following measures:

- Reorient or relocate the receiving antenna
- Increase the separation between the equipment and receiver
- Connect the equipment into an outlet on a circuit different from that to which the receiver is connected
- Consult the dealer or an experienced radio or television technician for help.

### MODIFICATIONS

The FCC requires the user to be notified that any changes or modifications made to this device that are not expressly approved by Veeder-Root Company may void the authority to operate the equipment.

### CABLES

Connections to this device must be made with shielded cables with metallic RFI/EMI connector hoods in order to maintain compliance with FCC Rules and Regulations.

### DECLARATION OF CONFORMITY FOR PRODUCTS MARKED WITH THE FCC LOGO—UNITED STATES ONLY

This device complies with Part 15 of the FCC Rules. Operation is subject to the following two conditions: (1) this device may not cause harmful interference, and (2) this device must accept any interference received, including interference that may cause undesired operation.

For questions regarding your product, contact:

Veeder-Root Company  
125 Powder Forest Drive  
Simsbury, CT 06070  
Or, call 1-800-323-1799

For questions regarding this FCC declaration, contact:

Veeder-Root Company  
125 Powder Forest Drive  
Simsbury, CT 06070  
Or, all 1-800-323-1799

To identify this product, refer to the Part, Series, or Model number found on the product.

## Canadian Notice

---

This Class B digital apparatus meets all requirements of the Canadian Interference-Causing Equipment Regulations.

### AVIS CANADIEN

Cet appareil numérique de la classe B respecte toutes les exigences du Règlement sur le matériel brouilleur du Canada.

### Battery Warning

---



**WARNING: The TLS RF Wireless 2 System (W2) Battery Pack contains lithium batteries. To reduce the risk of fire or burns, do not disassemble, crush, puncture, short external contacts, or dispose of in fire or water.**



Because of the type of batteries used in TLS RF Wireless 2 System (W2), follow local regulations regarding the safe disposal of the battery. Consult Appendix D of this manual for more information on battery disposal.

### Wireless Notices

---

In some environments, the use of wireless devices may be restricted. Such restrictions may apply aboard airplanes, in hospitals, near explosives, in hazardous locations, etc. If you are uncertain of the policy that applies to the use of this device, please ask for authorization to use it prior to turning it on.

### U.S. Regulatory Wireless Notice

---

**WARNING: Exposure to Radio Frequency Radiation. The radiated output power of this device is below the FCC radio frequency exposure limits. Nevertheless, the device should be used in such a manner that the potential for human contact during normal operation is minimized. To avoid the possibility of exceeding the FCC radio frequency exposure limits, human proximity to the antenna should be minimized.**

### Canadian Regulatory Wireless Notice

---

Operation is subject to the following two conditions: (1) this device may not cause interference, and (2) this device must accept any interference, including interference that may cause undesired operation of the device. The term "IC:" before the certification/registration number only signifies that the Industry Canada technical specifications were met.

### System Specifications

---

Note: Not all models described are available in all regions.

# Appendix C: Device DIP Switch Settings

## TLS RF Number Settings

The Dip Switch Locations to set the unique Device Number for the TLS RF(s) are shown in the Figure C-1. The TLS RF that monitors the Receiver and Transmitter Device Numbers 1 - 8 is considered the site's master TLS RF and must have its Device Number set to 0 (default).

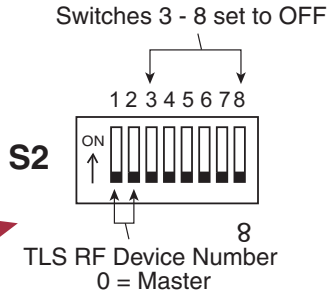
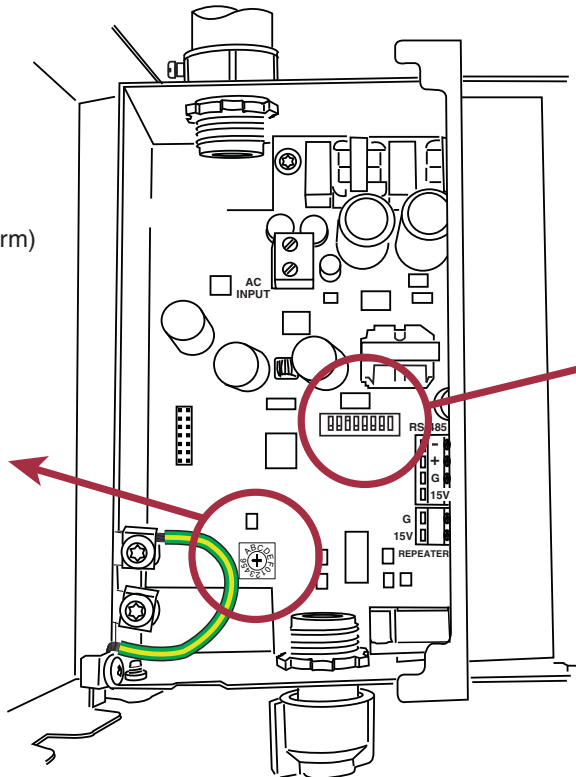


**CAUTION:** Setting the Device Timeout delay to less than 10 minutes may result in Device Out errors since the transmitter's transmit time intervals are programmable and may have been set to a value greater than the Device Timeout you set here.

### TLS RF

Device Timeout  
(Time to Probe Out/Comm alarm)

Sw Pos	Delay
0	5 m
1	10 m (default)
2	15 m
3	20 m
4	30 m
5	45 m
6	60 m
7	90 m
8	2 h
9	3 h
A	4 h
B	6 h
C	8 h
D	12 h
E	18 h
F	24 h



TLS RF Device Number	S2 Settings		Monitored Transmitter Device Number
	1	2	
0 (Master)	off	off	1 - 8
1 (Aux 1)	off	on	9 - 16
2 (Aux 2)	on	off	17 - 24
3 (Aux 3)	on	on	25 - 32

964 c-1.eps

Figure C-1. TLS-RF Switch Settings

### Transmitter/Receiver/Repeater DIP Switch Settings

DIP switch locations for the Transmitter, Receiver and Repeater are shown in Figure C-2. Settings for these switches are listed in Figure C-3 through Figure C-6.

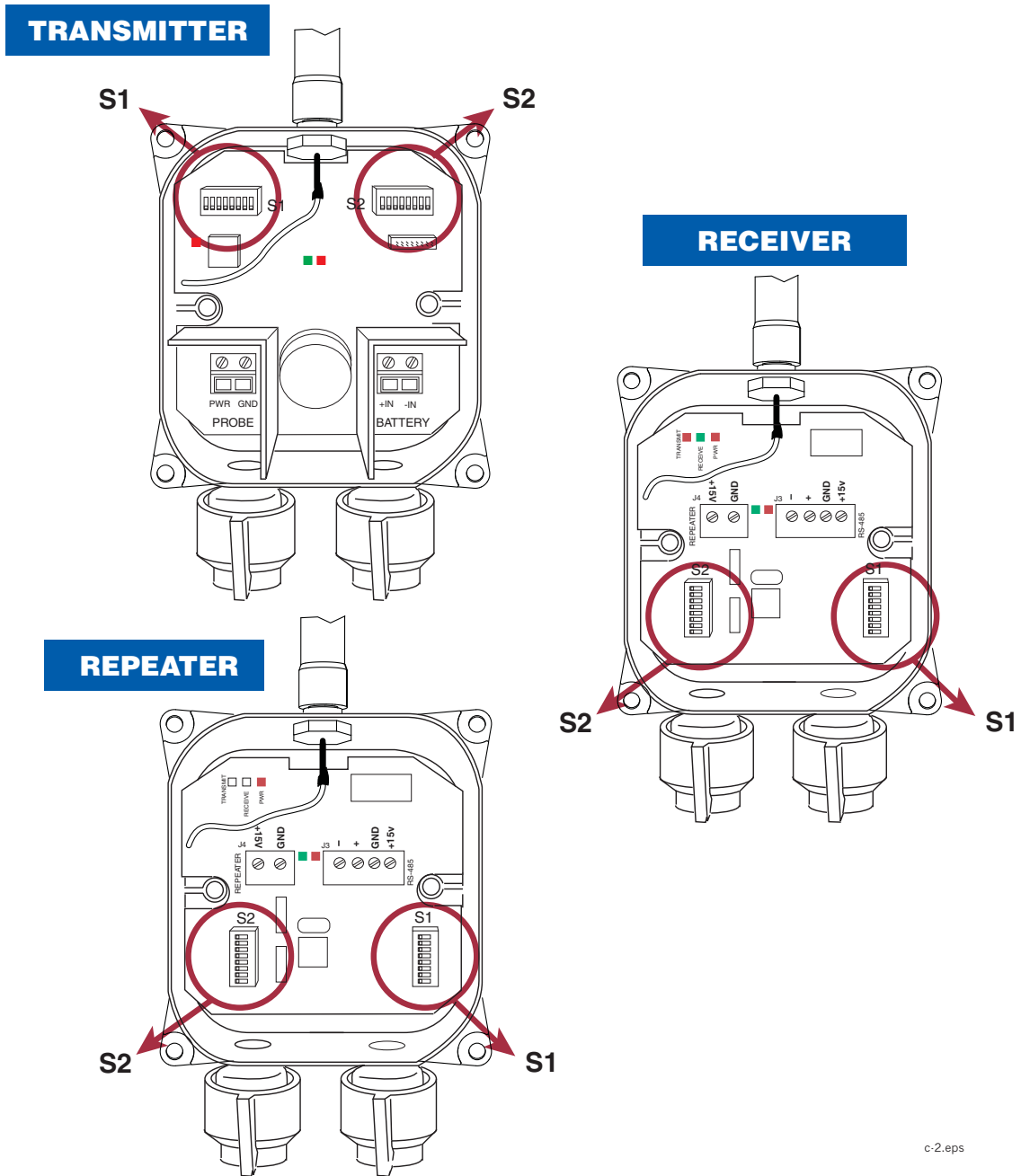


Figure C-2. S1/S2 DIP switch Locations in the Transmitter, Receiver and Repeater

All Wireless 2 (W2) Transmitters			
S1: Positions			Function
1	2	3	
OFF	OFF	OFF	Enable Transmitter

c-3.eps

Figure C-3. Transmitter Enable Settings - S1

S1: Positions					TRANSMITTER		
4	5	6	7	8	Device Number		
OFF	OFF	OFF	OFF	ON	1 (Master TLS-RF Device 1)	Master TLS RF	
OFF	OFF	OFF	ON	OFF	2 (Master TLS-RF Device 2)	Connects to	
OFF	OFF	OFF	ON	ON	3 (Master TLS-RF Device 3)	Receiver	
OFF	OFF	ON	OFF	OFF	4 (Master TLS-RF Device 4)		
OFF	OFF	ON	OFF	ON	5 (Master TLS-RF Device 5)		
OFF	OFF	ON	ON	OFF	6 (Master TLS-RF Device 6)		
OFF	OFF	ON	ON	ON	7 (Master TLS-RF Device 7)		
OFF	ON	OFF	OFF	OFF	8 (Master TLS-RF Device 8)		
OFF	ON	OFF	OFF	ON	9 (Aux 1 TLS-RF Device 1)	Aux 1 is the second	
OFF	ON	OFF	ON	OFF	10 (Aux 1 TLS-RF Device 2)	TLS RF Console	
OFF	ON	OFF	ON	ON	11 (Aux 1 TLS-RF Device 3)		
OFF	ON	ON	OFF	OFF	12 (Aux 1 TLS-RF Device 4)		
OFF	ON	ON	OFF	ON	13 (Aux 1 TLS-RF Device 5)		
OFF	ON	ON	ON	OFF	14 (Aux 1 TLS-RF Device 6)		
OFF	ON	ON	ON	ON	15 (Aux 1 TLS-RF Device 7)		
ON	OFF	OFF	OFF	OFF	16 (Aux 1 TLS-RF Device 8)		
ON	OFF	OFF	OFF	ON	17 (Aux 2 TLS-RF Device 1)	Aux 2 is the third	
ON	OFF	OFF	ON	OFF	18 (Aux 2 TLS-RF Device 2)	TLS RF Console	
ON	OFF	OFF	ON	ON	19 (Aux 2 TLS-RF Device 3)		
ON	OFF	ON	OFF	OFF	20 (Aux 2 TLS-RF Device 4)		
ON	OFF	ON	OFF	ON	21 (Aux 2 TLS-RF Device 5)		
ON	OFF	ON	ON	OFF	22 (Aux 2 TLS-RF Device 6)		
ON	OFF	ON	ON	ON	23 (Aux 2 TLS-RF Device 7)		
ON	ON	OFF	OFF	OFF	24 (Aux 2 TLS-RF Device 8)		
ON	ON	OFF	OFF	ON	25 (Aux 3 TLS-RF Device 1)	Aux 3 is the fourth	
ON	ON	OFF	ON	OFF	26 (Aux 3 TLS-RF Device 2)	TLS RF Console	
ON	ON	OFF	ON	ON	27 (Aux 3 TLS-RF Device 3)		
ON	ON	ON	OFF	OFF	28 (Aux 3 TLS-RF Device 4)		
ON	ON	ON	ON	ON	29 (Aux 3 TLS-RF Device 5)		
ON	ON	ON	ON	OFF	30 (Aux 3 TLS-RF Device 6)		
ON	ON	ON	ON	ON	31 (Aux 3 TLS-RF Device 7)		
OFF	OFF	OFF	OFF	OFF	32 (Aux 3 TLS-RF Device 8)		

c-4.eps

Figure C-4. Setting Transmitter Device Number - S1

Wireless 2 (W2) Mag Probe, Mag-XL & Mag Flex Probes							
S2: Positions				Transmitter Interval in Seconds			
				No Change (Idle) Read - TX	Fall (Dispense) Read - TX	Rise (Delivery) Read - TX	
1	2	3	4				
OFF	OFF	OFF	OFF	8 - 128	8 - 32	8	
OFF	OFF	OFF	ON	8 - 128	8	8	
OFF	OFF	ON	OFF	128	128	128	
OFF	OFF	ON	ON	512	512	512	

c-5.eps

\* = Recommended settings

Figure C-5. Probe Transmitter Interval Settings - S2

Wireless 2 (W2) Mag Sump Sensor						
S2: Positions				Transmitter Interval in Seconds		
				No Change (Idle) Read - TX	Fall/Rise (active) Read - TX	
1	2	3	4			
OFF	OFF	OFF	OFF	8 - 128	8	
OFF	OFF	OFF	ON	8 - 128	8	
OFF	OFF	ON	OFF	8 - 256	8	
OFF	OFF	ON	ON	8 - 512	8	

c-6.eps

\* = Recommended settings

Figure C-6. Mag Sump Sensor Transmitter Interval Settings - S2

Wireless 2 (W2) CCVP-Carbon Can Vapor Processor						
S2: Positions				Transmitter Interval in Seconds		
1	2	3	4	Read	TX	
OFF	OFF	OFF	OFF	32	16	

c-7.eps

\* = Recommended settings

Figure C-7. CCVP Transmitter Interval Settings - S2

Wireless 2 (W2) Vapor Pressure Sensor						
S2: Positions				Transmitter Interval in Seconds		
1	2	3	4	Read	TX	
OFF	ON	OFF	OFF	10	64	

c-8.eps

\* = Required settings

Figure C-8. Vapor Pressure Sensor Transmitter Interval Settings - S2



Wireless 2 (W2) Vapor Flowmeter					
S2: Positions				Transmitter Interval in Seconds	
1	2	3	4	Read	TX
OFF	ON	OFF	OFF	32	32

\* →

\* = Required settings

c-9.eps

Figure C-9. Vapor Flow Meter Transmitter Interval Settings - S2

Wireless 2 (W2) Transmitters, Receiver and Repeater (All Site ID settings must be the same)						
S2: Positions				TRANSMITTER	REPEATER <sup>1</sup>	RECEIVER <sup>1</sup>
5	6	7	8	Site ID	Site ID	Site ID
OFF	OFF	OFF	OFF	0	0	0
OFF	OFF	OFF	ON	1	1	1
OFF	OFF	ON	OFF	2	2	2
OFF	OFF	ON	ON	3	3	3
OFF	ON	OFF	OFF	4	4	4
OFF	ON	OFF	ON	5	5	5
OFF	ON	ON	OFF	6	6	6
OFF	ON	ON	ON	7	7	7
ON	OFF	OFF	OFF	8	8	8
ON	OFF	OFF	ON	9	9	9
ON	OFF	ON	OFF	10	10	10
ON	OFF	ON	ON	11	11	11
ON	ON	OFF	OFF	12	12	12
ON	ON	OFF	ON	13	13	13
ON	ON	ON	OFF	14	14	14
ON	ON	ON	ON	15	15	15

c-10.eps

<sup>1</sup> Set all remaining dip switches (S2 1-4 and S1 1-8) to OFF for both the Repeater and Receiver.

Figure C-10. Site ID Settings for All Transmitters, Receiver and Repeater - S2

## **Appendix D: Lithium Battery Safety Data**

This appendix contains the manufacturer supplied Transportation Certificate and Material Safety Data Sheet for the lithium batteries used in the TLS RF Wireless 2 (W2) System.

### **Lithium Battery Disposal Considerations**

---

1. Waste disposal must be in accordance with the applicable regulations.
2. Disposal of the Lithium batteries should be performed by permitted, professional disposal firms knowledgeable in Federal, State or Local requirements of hazardous waste treatment and hazardous waste transportation.
3. Incineration should never be performed by battery users, but by trained professionals in an authorized facility with proper gas and fume containment.
4. Recycling of battery can be done in authorized facility, through licensed waste carrier.



## TRANSPORTATION CERTIFICATE

Ref. TC-LS 33600 11/2008- 87

This is to certify that the Saft cell type, **LS 33600**, has been subjected and has met the requirements of the UN Recommendations on the Transport of Dangerous Goods, Part III, sub-section 38.3, Manual of Tests and Criteria, 4<sup>th</sup> Revised edition - 2003 - Ref. ST/SG/AC.10/11/Rev. 4), as detailed in Saft-Poitiers internal reports P 0256/03, dated 06/2003.

### Concerned Part Numbers

All the part numbers relative to single LS 33600 cells, whatever their finish mode (with and without end-tabs or wiring and connector assemblies, etc.)

### Product Description

Primary (non-rechargeable), Lithium-Thionyl Chloride (Li-SOCl<sub>2</sub>) D-sized single cell

Nominal Voltage	3.6 Volts
Nominal Capacity	17.0 Ah
Lithium metal content	4.5 grams
Nominal energy	17.0 x 3.6 = 61.2 Wh
Maximum recommended continuous discharge current	250 mA

### Product Classification

#### Worldwide, besides the United States of America

Since it passes the UN-defined transport tests but because its lithium content is above the 1 gram limit, the **LS 33600 individual cell, in all of its finish versions, according to the current UN Recommendations on the Transport of Dangerous Goods - Model regulations, is declared non-exempt from the Dangerous Goods Regulations. It is restricted to transport/ assigned to Class 9, and must be packed in accordance with the relevant packing instructions of the applicable Handbooks and Codes issued by the bodies (IATA-ICAO, IMO, ADR, US-DOT, etc.) in charge of regulating the transportation of dangerous goods.**

#### Within the United States of America

The U.S. DOT CFR 49 Regulations, Parts 171, 172, 173 and 175, are governing the transportation of lithium cells and batteries. Special Provision 188 (in Part 172.102) **defines the LS 33600 single lithium metal cell, in all of its finished versions, as belonging to the "medium primary lithium cell" category, and details the requirements to be met for the different transportation conditions.**

### Signed on Behalf of Saft, Specialty Battery Group

Pascal Hans                      SBG Quality Manager

dated 23/11/08

Alain Kerouanton                SBG Lithium Product Manager

dated 23/11/2008








## Material/Product Safety Data Sheet (MSDS-PSDS)



<b>LS/LSG/LSH/LST/LSX products</b>	<b>Lithium/Thionyl chloride single cells and multi-cell battery packs</b>
<b>Revision 8 Date 10/2008</b>	

1. Identification of the Substance or Preparation and Company				
<b>Product</b>	<b>Primary Lithium/Thionyl chloride unit cells and multi-cell battery packs (Li-SOCl<sub>2</sub>)</b>			
<b>Production sites</b>	Saft Ltd. River Drive Tyne & Wear South Shields NE33 2TR – UK  Ph. :+44 191 456 1451 Fax :+44 191 456 6383	Saft Rue Georges Leclanché BP 1039 86060 Poitiers cedex 9 France  Ph. :+33 (0)5 49 55 48 48 Fax :+33 (0)5 49 55 48 50	Saft America Inc 313 Crescent Street Valdese NC 28690 – USA  Ph. :+1 828 874 4111 Fax :+1 828 874 2431	Saft Batteries Co., Ltd Zhuhai Free Trade Zone Lianfeng Road Zhuhai 519030 Guangdong Province China  Ph. : +86 756 881 9318 Fax : +86 756 881 9328
<a href="http://www.saftbatteries.com">www.saftbatteries.com</a> (section « Contact »)				
<b>Emergency contact</b> Within the USA	+1 (703) 527 3887 +1 (800) 494 9300	(CHEMTREC US Service Center)		

2. Hazards Identification
<p>Do not short circuit, recharge puncture, incinerate, crush, immerse, force discharge or expose to temperatures above the declared operating temperature range of product. Risk of fire or explosion.</p> <p>The Lithium-Thionyl chloride batteries described in this Safety Data Sheet are sealed units which are not hazardous when used according to the recommendations of the manufacturer.</p> <p>Under normal conditions of use, the electrode materials and liquid electrolyte they contain are not exposed to the outside, provided the battery integrity is maintained and seals remain intact. Risk of exposure only in case of abuse (mechanical, thermal, electrical) which leads to the activation of safety valves and/or the rupture of the battery container. Electrolyte leakage, electrode materials reaction with moisture/water or battery vent/explosion/fire may follow, depending upon the circumstances.</p>

3. Composition & Information on Ingredients					
Ingredient	Content	CAS No.	CHIP Classification		
Lithium (Li)	3,5-5%	7439-93-2			<b>F</b> ; R14/15 <b>C</b> ; R34 R14/15, R21, R22, R35, R41, R43 S2, S8, S45
Thionyl chloride (SOCl <sub>2</sub> )	40-46%	7719-09-7			<b>C</b> ; R14, R21, R22, R35, R37, R41, R42/43 S2, S8, S24, S26, S36, S37, S45
					



Aluminum chloride anhydrous (AlCl <sub>3</sub> )	1-5%	7446-70-0			R14, R22, R37, R41, R43. S2, S8, S22, S24, S26, S36, S45
Carbon (C <sub>n</sub> )	3-4%	1333-86-4			NONE KNOWN
<i>Amount varies depending on cell size.</i>					





4. First Aid Measures	
<b>Inhalation</b>	Remove from exposure, rest and keep warm. In severe cases obtain medical attention.
<b>Skin contact</b>	Wash off skin thoroughly with water. Remove contaminated clothing and wash before reuse. In severe cases obtain medical attention.
<b>Eye contact</b>	Irrigate thoroughly with water for at least 15 minutes. Obtain medical attention.
<b>Ingestion</b>	Wash out mouth thoroughly with water and give plenty of water to drink. Obtain medical attention.
<b>Further treatment</b>	All cases of eye contamination, persistent skin irritation and casualties who have swallowed this substance or been affected by breathing its vapours should be seen by a doctor.

5. Fire Fighting Measures	
<p>CO<sub>2</sub> extinguishers or, even preferably, copious quantities of water or water-based foam, can be used to cool down burning Li-SOCl<sub>2</sub> cells and batteries, as long as the extent of the fire has not progressed to the point that the lithium metal they contain is exposed (marked by deep red flames). Do not use for this purpose sand, dry powder or soda ash, graphite powder or fire blankets.</p> <p><b>Use only metal (Class D) extinguishers on raw lithium.</b></p>	
<b>Extinguishing media</b>	Use water or CO <sub>2</sub> on burning Li-SOCl <sub>2</sub> cells or batteries and class D fire extinguishing agent only on raw lithium.

6. Accidental Release Measures	
<p>Remove personnel from area until fumes dissipate. Do not breathe vapours or touch liquid with bare hands. If the skin has come into contact with the electrolyte, it should be washed thoroughly with water.</p> <p>Sand or earth should be used to absorb any exuded material. Seal leaking battery and contaminated absorbent material in plastic bag and dispose of as Special Waste in accordance with local regulations.</p>	



7. Handling and Storage	
<b>Handling</b>	Do not crush, pierce, short (+) and (-) battery terminals with conductive (i.e. metal) goods. Do not directly heat or solder. Do not throw into fire. Do not mix batteries of different types and brands. Do not mix new and used batteries. Keep batteries in non conductive (i.e. plastic) trays.
<b>Storage</b>	Store in a cool (preferably below 30°C) and ventilated area, away from moisture, sources of heat, open flames, food and drink. Keep adequate clearance between walls and batteries. Temperature above 100°C may result in battery leakage and rupture. Since short circuit can cause burn, leakage and rupture hazard, keep batteries in original packaging until use and do not jumble them.
<b>Other</b>	Lithium-Thionyl chloride batteries are not rechargeable and should not be tentatively charged. Follow Manufacturers recommendations regarding maximum recommended currents and operating temperature range. Applying pressure on deforming the battery may lead to disassembly followed by eye, skin and throat irritation.

8. Exposure Controls & Personal Protection				
Occupational exposure standard	Compound	8hr TWA	15min TWA	SK
	Sulfur dioxide	1 ppm	1 ppm	-
	Hydrogen chloride	1 ppm	5 ppm	-
	<b>Respiratory protection</b>	In all fire situations, use self-contained breathing apparatus.		
	<b>Hand protection</b>	In the event of leakage wear gloves.		
	<b>Eye protection</b>	Safety glasses are recommended during handling.		
	<b>Other</b>	In the event of leakage, wear chemical apron.		

9. Physical and Chemical Properties	
<b>Appearance</b>	Cylindrical or prismatic shape
<b>Odour</b>	If leaking, gives off a pungent corrosive odour.
<b>pH</b>	Not Applicable
<b>Flash point</b>	Not applicable unless individual components exposed
<b>Flammability</b>	Not applicable unless individual components exposed
<b>Relative density</b>	Not applicable unless individual components exposed
<b>Solubility (water)</b>	Not applicable unless individual components exposed
<b>Solubility (other)</b>	Not applicable unless individual components exposed



10. Stability and Reactivity	
Product is stable under conditions described in Section 7.	
<b>Conditions to avoid.</b>	Heat above 100°C (150°C for the LSH 20-150 cells and the battery packs assembled from them) or incinerate. Deform. Mutilate. Crush. Pierce. Disassemble Recharge. Short circuit. Expose over a long period to humid conditions.
<b>Materials to avoid</b>	Oxidising agents, alkalis, water. Avoid electrolyte contact with aluminum or zinc.
<b>Hazardous decomposition Products</b>	Hydrogen (H <sub>2</sub> ) as well as Lithium oxide (Li <sub>2</sub> O) and Lithium hydroxide (LiOH) dust is produced in case of reaction of <i>lithium metal</i> with water. Chlorine (Cl <sub>2</sub> ), Sulfur dioxide (SO <sub>2</sub> ) and Disulfur dichloride (S <sub>2</sub> Cl <sub>2</sub> ) are produced in case of thermal decomposition of <i>thionyl chloride</i> above 140°C. Hydrochloric acid (HCl) and Sulfur dioxide (SO <sub>2</sub> ) are produced in case of reaction of <i>Thionyl chloride</i> with water at room temperature. Hydrochloric acid (HCl) fumes, Lithium oxide, (Li <sub>2</sub> O), Lithium hydroxide (LiOH) and Aluminum hydroxide (Al(OH) <sub>3</sub> ) dust are produced in case of reaction of <i>Lithium tetrachloroaluminate (LiAlCl<sub>4</sub>)</i> with water.

11. Toxicological Information	
<b>Signs &amp; symptoms</b>	None, unless battery ruptures. In the event of exposure to internal contents, corrosive fumes will be very irritating to skin, eyes and mucous membranes. Overexposure can cause symptoms of non-fibrotic lung injury and membrane irritation.
<b>Inhalation</b>	Lung irritant.
<b>Skin contact</b>	Skin irritant
<b>Eye contact</b>	Eye irritant.
<b>Ingestion</b>	Tissue damage to throat and gastro-respiratory tract if swallowed.
<b>Medical conditions generally aggravated by exposure</b>	In the event of exposure to internal contents, eczema, skin allergies, lung injuries, asthma and other respiratory disorders may occur.

12. Ecological Information	
<b>Mammalian effects</b>	None known if used/disposed of correctly.
<b>Eco-toxicity</b>	None known if used/disposed of correctly.
<b>Bioaccumulation potential</b>	None known if used/disposed of correctly.
<b>Environmental fate</b>	None known if used/disposed of correctly.

13. Disposal Considerations	
Do not incinerate, or subject cells to temperatures in excess of 100°C. Such abuse can result in loss of seal, leakage, and/or cell explosion. Dispose of in accordance with appropriate local regulations.	





14. Transport Information	
<b>Label for conveyance</b>	For the single cell batteries and multi-cell battery packs that are non-restricted to transport (non-assigned to the Miscellaneous Class 9), use lithium batteries inside label. For the single cell batteries and multi-cell battery packs which are restricted to transport (assigned to Class 9), use Class 9 Miscellaneous Dangerous Goods and UN Identification Number labels. In all cases, refer to the product transport certificate issued by the Manufacturer.
<b>UN numbers</b>	UN3090 (shipment of cells and batteries <i>in bulk</i> ) UN 3091 (cells and batteries <i>contained in equipment or packed with it</i> )
<b>Shipping names</b>	Lithium Metal Batteries
<b>Hazard classification</b>	Depending on their lithium metal content, some single cells and small multi-cell battery packs may be non- assigned to Class 9 (Refer to Transport Certificate)
<b>Packing group</b>	II
<b>Specific dispositions</b>	IATA: A45, A88, A99, P968, P969, P970 IMDG: 188, 230, 310, P903 ADR/RID: 188, 230, 310, 636, P903, P903a
<b>IMDG Code</b>	3090 (Li Batteries) 3091 (Li Batteries contained in equipment or packed with it)
<b>CAS</b>	
<b>EmS No.</b>	F-A, S-I
<b>Marine pollutant</b>	No
<b>ADR Class</b>	Class9

15. Regulatory Information			
<b>Risk phrases</b>	Lithium (Li)	R14/15  R21 R22 R35 R41 R42/43	Reacts violently with water, liberating extremely flammable gases. Harmful in contact with skin. Harmful if swallowed. Causes burns. Risk of serious damage to eye. May cause sensitization by inhalation and skin contact.
	Thionyl chloride (SOCl <sub>2</sub> )	R14 R22 R35 R37 R41 R42/43	Reacts with water. Harmful if swallowed. Causes burns. Irritating to respiratory system. Risk of serious damage to eye. May cause sensitization by inhalation and skin contact.
	Aluminum chloride anhydrous (AlCl <sub>3</sub> )	R14 R22 R37 R41 R43	Reacts with water. Harmful if swallowed. Irritating to respiratory system. Risk of serious damage to eye. May cause sensitization by skin contact.
<b>Safety phrases</b>	Lithium (Li)	S2 S8 S45	Keep out of reach of children Keep away from moisture In case of incident, seek medical attention.
	Thionyl chloride (SOCl <sub>2</sub> )	S2 S8 S24 S26  S36 S37 S45	Keep out of reach of children. Keep away from moisture. Avoid contact with skin. In case of contact with eyes, rinse immediately with plenty of water. Wear suitable protective clothing. Wear suitable gloves. In case of incident, seek medical attention.





	Aluminum chloride anhydrous ( $AlCl_3$ )	S2 S8 S22 S24 S26  S36	Keep out of reach of children. Keep away from moisture. Do not breathe dust. Avoid contact with skin. In case of contact with eyes, rinse immediately with plenty of water. Wear suitable protective clothing.
<b>UK regulatory references</b>	Classified under CHIP		

#### 16. Other Information

This information has been compiled from sources considered to be dependable and is, to the best of our knowledge and belief, accurate and reliable as of the date compiled. However, no representation, warranty (either expressed or implied) or guarantee is made to the accuracy, reliability or completeness of the information contained herein.

This information relates to the specific materials designated and may not be valid for such material used in combination with any other materials or in any process. It is the user's responsibility to satisfy himself as to the suitability and completeness of this information for his particular use.

Saft does not accept liability for any loss or damage that may occur, whether direct, indirect, incidental or consequential, from the use of this information. Saft does not offer warranty against patent infringement.

Signature 

Alain Kerouanton  
Lithium Product Manager

