



710 Series Dome  
510 Series Dome  
IP Surveillance Camera

# Quick-Start Guide

## Box Contents

- Camera
- 3 × wall anchors with screws
- CC tester cable
- Desiccant pack
- Silicone plug
- Hex wrench
- Plastic “needle” for cables

You must provide:

- A network connection (and an NVR, if desired) with admin rights to the network
- Mobile device with Luma Surveillance mobile app (recommended) or CCTV tester
- Power source: PoE or 12V DC
- Phillips screwdriver



**WARNING:** This product can expose you to chemicals including cadmium, which is known to the State of California to cause cancer. For more information go to [www.P65Warnings.ca.gov](http://www.P65Warnings.ca.gov).

## Read this *before* you go on site!

**Install your camera with a connection to the Internet** via your NVR or through a network router. **This allows you to use OvrC**, a powerful remote maintenance tool (see [OvrC.com](http://OvrC.com)) and lets you use the Luma Surveillance mobile app to check on the camera from anywhere.

**For installation using this guide, you must be able to access this camera through a personal computer.** If your surveillance system is not on a network, you'll have to use the NVR's local interface for installation. See the NVR user's manual for details.

The web UI manual and other materials can be found on the product page at [SnapAV.com](http://SnapAV.com).

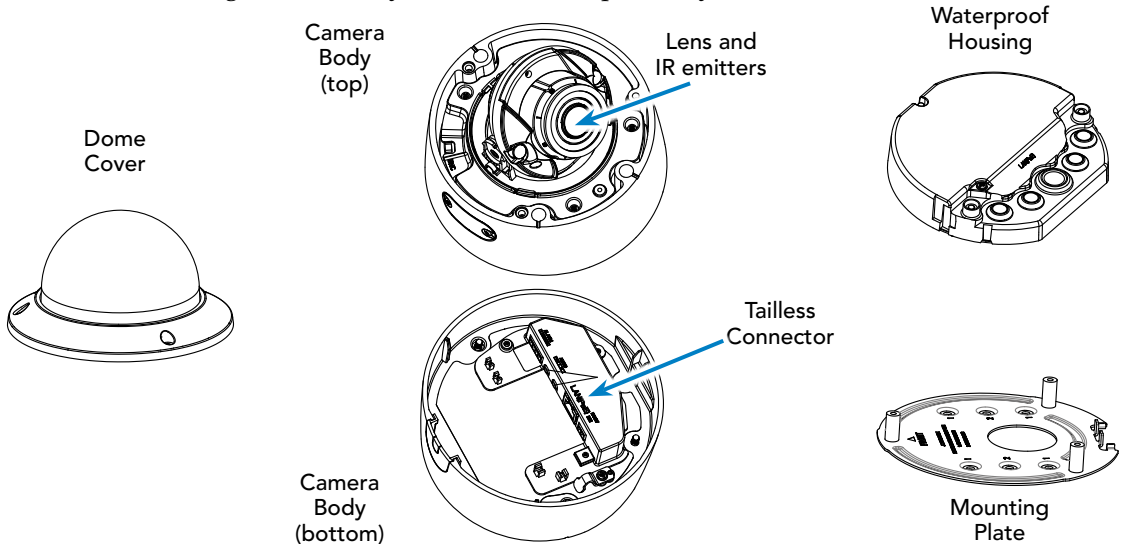
- Ensure that the device is in good condition and all the assembly parts are included.
- Make sure that all equipment is powered off during installation.
- Ensure the mounting surface is strong enough to hold three times the weight of the camera and the mount.
- If the mounting surface is cement, use the included expansion screws to install the camera. If mounting to a wood surface, use self-tapping wood screws (not included).
- If the product does not function properly, please contact technical support. Do not disassemble the camera for repair or maintenance.

## Safety Tips

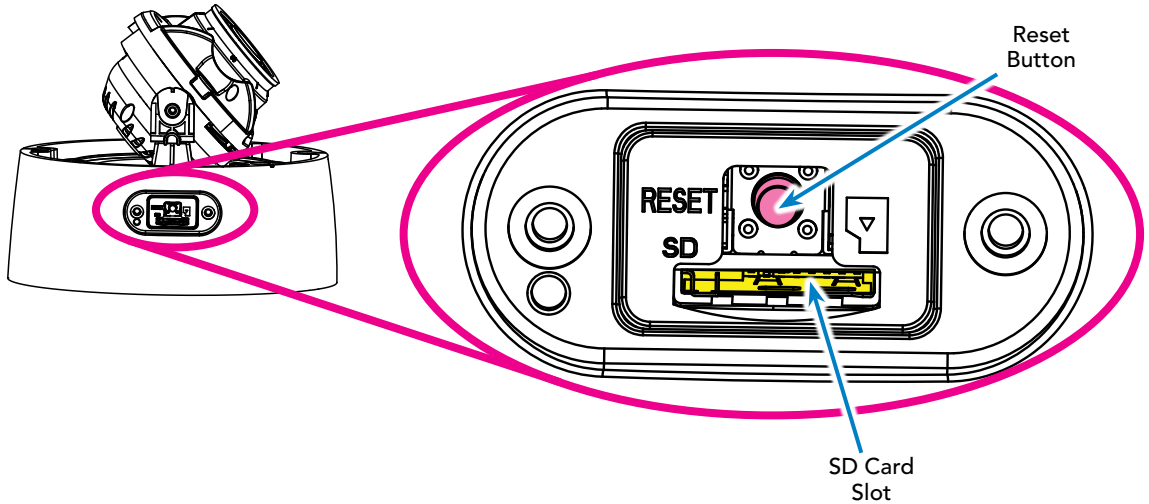
- Handle this device with care.
- Do not strike or shake this device.
- Protect the power cord from being stepped on or pinched, particularly where it connects to the device and the power outlet.
- Do not operate this device beyond its specified power ratings.
- Do not use this device near any heat sources such as radiators, heat registers, stoves, or other such heat-generating equipment.
- The performance and lifespan of the camera is affected by temperature. For best results, use this device in temperatures ranging from -14–140 °F.
- Clean this device with a dry cloth. Do not use strong or abrasive detergents when cleaning the device, especially the lens. If dirt is hard to remove, use a mild detergent and wipe gently.
- Make a note of the configuration settings and save them. This helps when changing the configuration, when upgrading the device, or with recovery if unexpected failure or trouble occurs.

## Your Camera

Before installing, familiarize yourself with the parts of your camera.



## Your Camera's Utility Port



## Preserving Your Camera

### Foam Ring

**CAUTION: Do not throw away the foam ring** around the camera lens! It protects the camera from glare from its infrared lights.

### Dome Tether and Base Tether

We recommend you **do not remove** the security tether that holds the dome cover to the camera base. However if you must get rid of it, please cut it at both ends. Do not unscrew the screws on the dome or the dome cover, or you may damage the camera's weatherproofing.

The same recommendations apply to the tether that you can use to hang your camera to the waterproof housing while you attach the cables.

### Protective Film

The dome cover comes with a protective film. Do not remove this until you are done installing your camera; it is there to prevent the dome from getting scratched if it accidentally hits the wall during installation.

## Installation with an NVR

If you are installing with an NVR, follow **these** instructions. Otherwise, follow the instructions starting on the **next** page.

1. Ensure your NVR has the latest firmware. If it does not, your NVR may be unable to locate and activate your camera.
2. Perform the physical installation of your camera by following the instructions given on pages 11–14.
3. Plug your camera into your recorder. The NVR autodetects your camera, activates it (giving it the same admin password that it has), and assigns it an IP address.
4. Complete the installation using the instructions given in your NVR manual. You do not need to continue using this guide. [Where possible, we recommend changing settings using your NVR.](#)



## Installation Without an NVR

If you are using this camera on a network without an NVR, use the Luma Utility to locate your camera and set it up.



Visit your product page at [SnapAV.com](http://SnapAV.com) and download the Luma Utility installer from the Support tab. **You must use v3.0.0.53 build 20170426 or later! Earlier versions of the utility will not work!**

Run the installer, accepting all defaults.

## Pre-Installation Camera Configuration

**You'll find it easiest to connect the camera directly to your PC, making most adjustments to the camera from the convenience of your table (prior to physical installation), rather than from atop a ladder.**



Connect the camera to your PC and run the Luma Utility. It searches for attached Luma Surveillance devices. If your camera does not appear, check the connection, ensure the camera is powered up, then click the **Refresh** button.

## Activate the Camera

Click on the entry for your camera to view its details. If the camera is inactive, use the text boxes at the lower right of the Luma utility window to activate the camera by creating a new secure password.

- Passwords cannot be longer than 16 characters. To ensure compatibility with the local interface, only use numbers, letters, spaces, and these special characters: . , : - /
- Use a password that is long and easy to remember. A password like *parisinthspring* is more secure and easier to remember than a password like *D3x-7b*.

<input type="checkbox"/>	005	LUM-500-DVR-16...	Luma 16C...	Active	192.168.8.110	80	8000	554	V3.0.4build 1...	snapavTest
<input checked="" type="checkbox"/>	006	LUM-500-FISH-IP-...	IP CAMERA	Inactive	192.168.8.113	80	8000	554	V3.0.4build 1...	snapavTest
<input type="checkbox"/>	007	LUM-700-BUL-IPH...	IP CAMERA	Active	192.168.8.144	80	8000	554	V5.4.1build 1...	
<input type="checkbox"/>	008	LUM-500-TUR-IP-...	IP CAMERA	Active	192.168.8.145	8019	8000	554	V5.4.1build 1...	
<input type="checkbox"/>	009	LUM-500-TUR-IP-...	SaadTuret	Active	192.168.8.104	8025	8000	554	V5.3.6build 1...	snapavTest
<input type="checkbox"/>	010	LUM-500-BUL-IP-...	IP CAMERA	Active	192.168.254.3	80	8000	554	V5.4.1build 1...	
<input type="checkbox"/>	011	LUM-500-BUL-IP-GR	IP CAMERA	Active	192.168.8.112	80	8000	554	V5.4.1build 1...	
<input type="checkbox"/>	012	LUM-700-DOM-IP-...	IP CAMERA	Active	192.168.8.126	8016	8000	554	V5.4.1build 1...	
<input type="checkbox"/>	013	LUM-700-BUL-IPH...	IP CAMERA	Active	192.168.254.4	80	8000	554	V5.4.1build 1...	

The device is not activated.

You can modify the network parameters after the device activation.

[Activate Now](#)

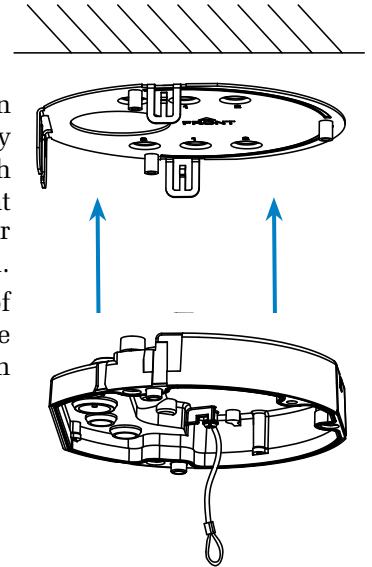
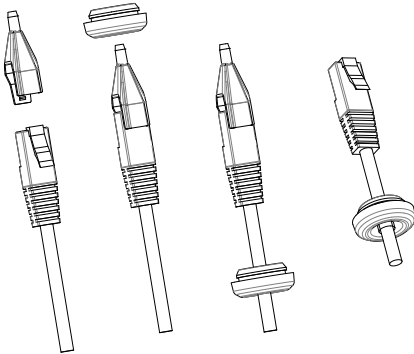
New Password:

Confirm Password:

[Activate](#)

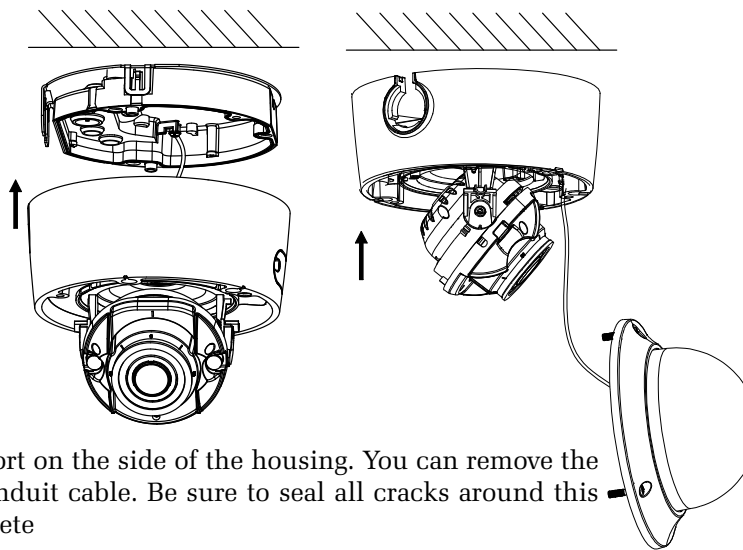
## Physical Installation

1. Drill pilot holes for your screws in the mounting surface.
2. Attach the mounting plate and run the cables through it.
3. Thread the cables through the waterproof housing as shown below left and below right. Place your terminated category cable into the plastic needle and push the needle through one of the rubber nipples in the waterproof housing. Repeat for 12V power and/or audio wires as needed.
4. Clip the waterproof housing to the mounting plate, then secure it with screws.



5. Connect all cabling to the camera. You can use the lanyard on the camera base to hang the camera on the hook inside the waterproof housing.
6. Place the supplied silica pack inside the waterproof housing.
7. Secure the camera body to the waterproof housing.
8. Adjust the camera's aim (page 14).
9. Once you have finished aiming the camera, secure the dome.

If your cable runs along the wall rather than inside it, use the conduit port on the side of the housing. You can remove the plug and replace it with a threaded conduit cable. Be sure to seal all cracks around this cable access when installation is complete



## Start the Web Interface

Open your browser and navigate to the camera's IP address. Below the login area, you may see: "Please click here to download and install the plug-in. Close the browser when installing the plug-in." If so, download the plug-in and close all browser windows.

Install the *LumaWebComponents* plug-in, restart your browser and log in to your camera as *admin* using the password you created. You may get a pop-up that asks if you want to run the Luma Web Components plug-in. You must allow the plug-in to access your system over the web.

Be sure to save your camera's web page as a favorite in your browser.



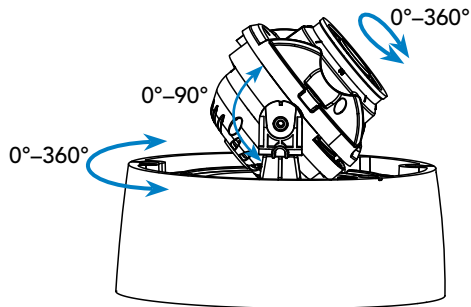
## Check the Camera

After logging in, your screen shows the live page, similar to the illustration at left. If it does not appear, check the connection to your NVR or network, and ensure that the camera is powered up. Click the **Settings** icon to access the web interface and finish setup.

## Adjust the Camera

This camera can spin 360° around the base. It can be angled up to 90°. In addition, the camera can rotate 360° within its housing.

1. Swivel the camera so it faces the desired direction.
2. Angle the camera to face the target surveillance area.
3. Rotate the camera within its housing so that the resulting image is upright.



## Additional Setup Best Practices

Be sure to complete customization of the camera using the NVR's web interface:

- Set up DDNS
- Add additional users
- Calibrate the time settings
- Set up recording schedule
- Enable motion detection

See your NVR's manual for full details.



## Support

If you need help, email [support@SnapAV.com](mailto:support@SnapAV.com). For information, instructional videos, support documentation, or ideas, visit our website.

### Warranty & Regulatory

Find details of this product's 3-Year Limited Warranty at [snapav.com/warranty](https://snapav.com/warranty), or request a paper copy from Customer Service at (866) 424-4489. Find other legal resources, such as regulatory notices and patent information, at [snapav.com/legal](https://snapav.com/legal).

Copyright ©2021, Wirepath Home Systems, LLC. All rights reserved. Control4 and SnapAV and their respective logos are registered trademarks or trademarks of Wirepath Home Systems, LLC, dba "Control4" and/or dba "SnapAV" in the United States and/or other countries. 4Store, 4Sight, Control4 My Home, Snap AV, Araknis Networks, BakPak, Binary, Dragonfly, Episode, Luma, Mockupancy, Nearus, NEEO, Optiview, OvrC, Pakedge, Sense, Strong, Strong Evolve, Strong Versabox, SunBriteDS, SunBriteTV, Triad, Truvision, Visualint, WattBox, Wirepath, and Wirepath ONE are also registered trademarks or trademarks of Wirepath Home Systems, LLC. Other names and brands may be claimed as the property of their respective owners. All specifications subject to change without notice.

Version 200-LUM-510+710-BUL-IP-XX-B 210306 TW