



PARAGON™

# COMMERCIAL SWIMMING POOL DECK EQUIPMENT

# CONTENTS

## STARTING PLATFORMS 3 – 16

How to Select Starting Platform Model.....	4
Track Start PLUS+™.....	6
Track Start STS Back Plate.....	7
Safety Covers.....	7
Full-Height Platforms (Track Start Top).....	8
Full-Height Platforms (Standard Top).....	9
Full-Height Platforms (Standard Top/Single Leg).....	10
Low-Height (Varsity) Platforms.....	11
Colorado Block.....	12
Platform Anchors.....	13
Sand Top Refinishing Program.....	14
Sand Top Color and Graphic Options.....	14
How to Size Starting Platforms.....	15
Platform Selector Charts.....	16

## LIFEGUARD CHAIRS 17 – 24

Lifeguard Chairs; Guard Stations.....	17
Griff's Vision Guard Station and Sun Shade.....	18
All-Terrain Griff's Guard Station.....	19
Griff's Guard Station; Sun Shade; Griff's Training DVD's.....	20
Paraflyte Lifeguard Chairs.....	21
Moveable and Portable Lifeguard Chairs.....	22
Lookout Lifeguard Chairs.....	23
Rover Semi-Permanent; Standard Chairs.....	24
Lifeguard Seats; Swivel Seat Support.....	24

## DIVING TOWERS/STANDS 25 – 31

Stair Entry Systems .....	26
Paraflyte Diving Towers.....	27
Duradapt Diving Towers; Sportflyte Diving Towers.....	28
Diving Boards.....	29
Diving Tower Selection Chart.....	29
Sturdee Stand; Rails for Diving Towers.....	30
Tower and Stand Accessories; Anchors.....	31

## LADDERS 32 – 33

Vertical Ladders.....	32
Crossed-Braced; Florida Style.....	32
Therapeutic; Safety Wedge.....	32
Coping and Waterfront Ladders (Pier, Dock, Raft).....	33
Sloping and Vertical Steps.....	33

## RAILS AND STEPS 34 – 38

Grab Rails.....	35
Built-in Recessed Steps.....	35
Deck Mounted Rails.....	36
Stair Mounted Rails.....	36
Exercise Rails; Transfer Rails.....	37
Therapy Parallel Bars.....	37
Underwater Teaching Platform.....	37
Custom-made Railings.....	38

## ANCHORS 39

Anchors; Escutcheons; Eye Bolts.....	39
--------------------------------------	----

## UNDERWATER 40 – 41

Underwater Lights and Niches.....	40
Underwater Speakers and Niches.....	40
Underwater Windows.....	41

## ACCESSORIES 42 – 45

Water Polo Goals.....	42
Basketball Hoops.....	43
Lane Storage Reels; Racing Lanes; Hose Reel.....	44
Stanchions and Sockets.....	45
Pennant Lines.....	45
Stainless Steel Maintenance.....	47

# PARAGON™ DECK EQUIPMENT

For well over 60 years Paragon Deck Equipment has been the flagship of the aquatics industry for quality, craftsmanship, and innovation. We remain focused on the core values that helped make us the leader: build to our customer's specifications through a commitment to custom products and continuous improvement; provide superior customer service and communication; in short, listen and be responsive to our partners in the aquatics industry, whether they are architects, engineers, distributors, contractors, facility managers or competitive swimming and diving professionals.

## NEW INSIDE:

### Track Start PLUS+™ STS

Introduces a back plate option for our standard size tops. Page 7.



### Griff's Vision Guard Station™

Unique, Innovative. Lightweight. Easy to move and assemble. Page 18.



### All Terrain Griff's Guard Station®

Versatile and effective. Front and rear access. Page 19.

### Diving Tower Stair System

For new or retrofit. Many architectural/aesthetic options. Page 26.



For a full scope of the Pentair Aquatic product line visit: [pentaircommercial.com](http://pentaircommercial.com)

Call or e-mail for consultation.  
Paragon Customer Service  
888.534.7946 845.463.7291 fax  
[paragoncustserv@pentair.com](mailto:paragoncustserv@pentair.com)

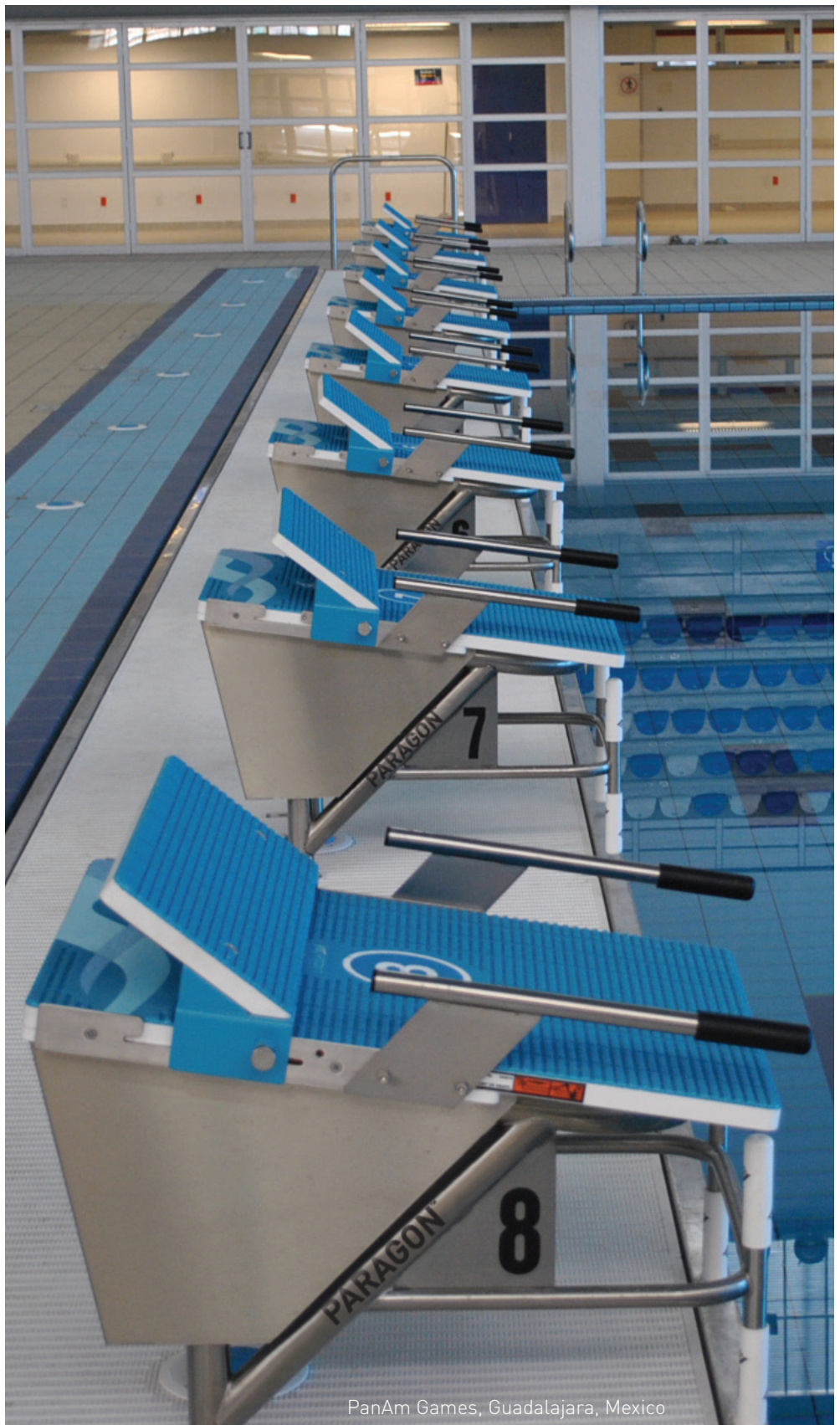
## STARTING PLATFORMS

Paragon Starting Platforms are used in competitive facilities across the United States and are widely used in FINA, NCAA, NFHS, USMS, and USAS events.

A combination of functional simplicity, contemporary design and unsurpassed workmanship make Paragon Starting Platforms a superior product. Their unique features help competitive swimmers improve training, technique and performance.

Each Starting Platform frame is a single weldment manufactured of high-grade stainless steel, polished and buffed to a 320 grit finish. All welds are electro-chemically passivated for maximum corrosion resistance. Each top is a solid sheet of 1-1/4" high density (UV inhibited) polypropylene with a patented, cross-grooved, non-skid, white sand finish.

Paragon platforms cannot absorb water, so they will never warp, shrink, rot or crack.




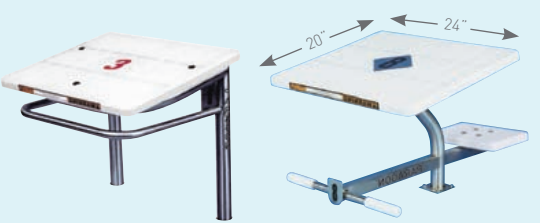
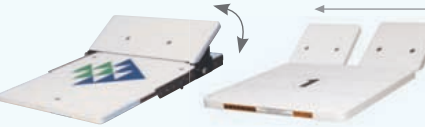







PanAm Games, Guadalajara, Mexico



WARNING: Starting Platforms are to be used only by trained competitive swimmers. Only shallow racing dives should be executed. Impact with the pool bottom can cause serious injury. Please refer to applicable codes and regulations for your specific installation.

## HOW TO SELECT THE PARAGON STARTING PLATFORM MODEL

When choosing a starting platform, your first consideration should be the size of the platform top. (Note: All ruling bodies call for a minimum of 20" x 20" starting platform tops). Choose either the single leg (Paraflyte or Quickset Anchor) or dual legs (Competitor). Select the anchor style (Paraflyte, Quickset or Competitor). Then select color and graphics (Standard sand finish is white).

SELECT TOP SIZE	Track Start Size (top: 24" x 32")		Standard Size (top: 24" x 20")	
<p>SELECT SINGLE OR DUAL</p>	 <p>Single Leg or Dual Leg</p>		 <p>Dual Leg or Single Leg</p>	
<p>TRACK START PLATFORM OPTIONS</p>	<p><b>Backplate</b></p>  <p>Adjustable Full Backplate      STS Backplate (slides side to side)</p>		<p><b>Bars</b></p>  <p>Backstroke Bars (standard) or FINA Bars</p> <p><b>Grips</b></p>  <p>Side Hand Grips</p>	
<p>SELECT ANCHOR STYLE</p>	<p><b>Single Leg</b></p> <p>Paraflyte      Quickset</p>  <p>Standard      Long Reach      Quickset</p> <p>Single Leg only. Bolt mounted. Tools required for installation of starting platform.      Single Leg. Dual-Wedge™. No tools required for installation of starting platform.</p>		<p><b>Dual Leg</b></p> <p>Competitor</p>  <p>Dual Leg. Dual-Wedge. Taper lock. No tools required for installation of starting platform.</p>	
<p>SELECT COLOR OR GRAPHICS OPTION</p>	<p><b>Colors</b></p> <p>All Paragon Starting Platforms are available in any color in the Pantone Matching System. (Standard Sand Finish is White)</p> 		<p><b>Powder Coating</b></p> <p>Custom Color Powder Coating can be applied to all models.</p>  <p><b>Graphics</b></p> <p>Custom logos and numbering are available on all models.</p> 	
<p>SELECT MODEL NUMBER</p>	<p><b>Select Model</b></p> <p>See pages 15 and 16 for How to Size and to view Platform Selector Charts. When choosing a model consider the specific requirements of applicable ruling bodies, e.g. FINA, NCAA, USAS, USMS, NFHS as well as local, municipal and state statutes. If this selection does not meet your precise requirements, we will make something that does. Custom Platforms are our speciality. Please see the following pages for remaining selection criteria.</p>			



**WARNING:** Starting Platforms are to be used only by trained competitive swimmers. Only shallow racing dives should be executed. Impact with the pool bottom can cause serious injury. Please refer to applicable codes and regulations for your specific installation.

## OUR TOP

Each Paragon™ top is made from solid sheet of 1-1/4" high density (UV Inhibited) polypropylene with a patented, cross-grooved, non-skid, white sand finish.

- Cross groove pattern enhances drainage and is crucial to a solid start.
- Impervious to corrosion.
- Cannot absorb water and will not crack, warp or rot.
- Non-metallic surface stays relatively cool in direct sunlight.
- Track Start size [24" x 32"]
- Standard size [24" x 20"]
- Safety Covers Available for both sizes.

## OUR PEDESTAL

Each pedestal is a single weldment of high-grade Certified T304L stainless steel, polished and buffed to a 320 grit finish. Welds are electro-chemically passivated for maximum corrosion resistance.

- Custom Fabricated for your Facility.
- Superior Workmanship.
- Dual Leg (Competitor) and Single Leg (Quickset or Paraflyte) Options.



## OUR ANCHORS

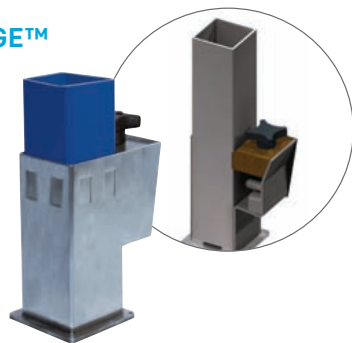
Dual-Wedge™ Tool-Less Clamping Anchors

Our unique taper-lock base (wedge #1) combined with a tool-less clamping wedge at the top of the anchor creates a simple, **zero-movement** installation. Anchor is tightened by hand using the knob shown. Wedge assembly stores in the anchor when the platform is not on deck.

Quickset anchor is available in custom depths to allow the same platforms to be used in multiple locations with different deck-to-water dimensions.

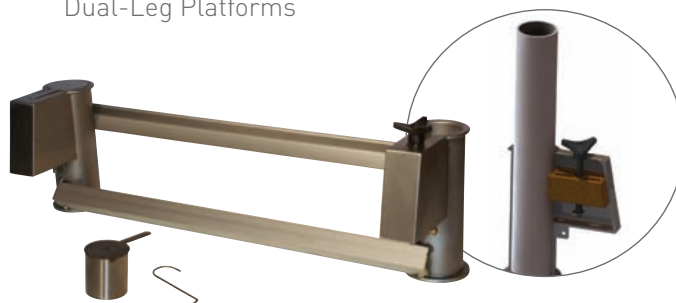
### QUICKSET® DUAL-WEDGE™ ANCHOR

Single-Leg Platforms



### COMPETITOR DUAL-WEDGE™ ANCHOR

Dual-Leg Platforms



### PARAFLYTE FIXED ANCHOR

Single-Leg Platforms

Ideal when the platform does not need to be removed. Platform is bolted to the cast bronze anchor. Tools required.



**WARNING:** Starting Platforms are to be used only by trained competitive swimmers. Only shallow racing dives should be executed. Impact with the pool bottom can cause serious injury. Please refer to applicable codes and regulations for your specific installation.

## TRACK START PLUS+™

The Track Start PLUS+™ starting platform offers enhancements for the competitive swimmer. This is available for all new Track Start platforms, and can also be easily used as a retrofit to any existing Track Start starting platforms.\*

The PLUS+ Adjustable Backplate optimizes the position of the swimmers rear leg allowing for a more powerful start. Easily adjustable to five front-to-back positions using the knobs located on the side of the unit. It is so easy to adjust that it can be reset in the middle of a relay race. It can be used with or without relay platforms for timing systems and can be easily removed for storage.

The Adjustable Backplate can be used with or without the PLUS+ Side Hand Grip Kit which further enhances energy transfer during take-off.

This modular approach provides full flexibility for the individual swimming program and coaching technique.



Track Start PLUS+ Enhancements shown on Track Start Competitor Side Step

**\*IMPORTANT NOTE:**  
These kits are only for use on Paragon Aquatics Track Start starting platforms with solid, polypropylene tops.

## POWER + LEVERAGE = ULTIMATE STARTING SYSTEM

The Track Start Plus+™ is a modular concept that adds optional enhancements to new and existing Track Start starting platforms. These features will be factory installed if ordered with new Track Start platforms. The same kits, complete with mounting hardware and installation instructions will be provided for an easy retrofit in the field for existing platforms.



Track Start PLUS+ Enhancements shown on Track Start Quickset Side Step with graphics

Start with our leading Track Start platform. Then add either or both of the following kits.

### TRACK START PLUS+™ ADJUSTABLE BACKPLATE KIT

The Adjustable Backplate supporting frame is constructed of T304 stainless steel, factory spaced and assembled. It is powder coated in Black for additional corrosion resistance. The slide track is electro-polished T304 stainless steel precisely machined to mate with the support frame locking pins. Stainless steel knobs adjust the Backplate in 5 positions. The footrest is 9" x 24" polypropylene, cross-grooved, white sand coated finish, angled at 30° to render a 90° knee angle. All hardware is stainless steel.

I.D. No. 27500  
[Spec Sheet SP 10.75](#)



### OPTIONAL COLOR ADDER FOR SAND FINISH FOOTREST

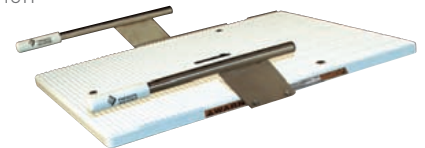
Coordinate the footrest color to the platform color scheme.  
NOTE: The optional color adder is included when ordered with a colored top.

I.D. No. 23994C

### TRACK START PLUS+™ SIDE HAND GRIP KIT

Contains 2 polished 1.0" OD., T304 stainless steel tubes welded to a heavy duty mounting plate, rubber non-slip grips, and stainless mounting hardware. It is powder coated in Black for additional corrosion resistance

I.D. No. 27501  
[Spec Sheet SP 10.76](#)



### CUSTOM COLOR POWDER-COATING FOR HANDGRIPS

Coordinate the Hand Grip color to the platform color scheme. NOTE: Optional custom color powder-coat is provided at no additional charge if ordered with a powder-coated starting platform pedestal.

I.D. No. 23995; Standard Color is Black



**WARNING:** Starting Platforms are to be used only by trained competitive swimmers. Only shallow racing dives should be executed. Impact with the pool bottom can cause serious injury. Please refer to applicable codes and regulations for your specific installation.

## TRACK START PLUS+™ STS

### Starting Platform Back Plate For Standard Platform Tops

Once only available on larger starting platforms, the STS brings a Back Plate option to standard (24" x 20") size PARAGON tops. This product is an excellent option to introduce swimmers to the new starting techniques, or for where existing standard size starting platforms have a lot of life left in them. It is the most cost-effective way to introduce a back plate to your facility.

The STS is a seamless upgrade to existing Quickset, Paraflyte, or Competitor style platform with standard size tops. It features side-to-side adjustment for unimpeded access to platforms using existing rear mounting step. The back plate removes in seconds without tools. It can be used with or without a relay judges platform (RJP). Non-skid white sand finish 9" x 10" UV inhibited polypropylene kick plate. Track and frame are constructed of black powder-coated T304 Stainless Steel. Custom powder-coat colors and top surface colors are available.

#### FOR QUICKSET/PARAFLYTE STYLE PLATFORM

I.D. No. 27510

#### FOR COMPETITOR STYLE PLATFORM

I.D. No. 27512

#### COLOR UPGRADE FOR POLY/SAND FOOTREST

I.D. No. 23994C; Standard Color is White

#### COLOR UPGRADE FOR POWDER-COATED TRACK/FRAME

I.D. No. 23997; Standard Color is Black

## SAFETY COVERS

### PLATFORM SAFETY COVERS

Constructed of tough, light-weight plastic, covers prevent unauthorized use of platforms. Easy installation with bungee cord (included). Stack easily for storage. Comes in safety orange per ANSI standards.

#### STANDARD PLATFORM SAFETY COVER

fits 24" x 20" tops

I.D. No. 23960

Spec Sheet AA 20.74

#### TRACK START SAFETY COVER

fits 24" x 32" tops

I.D. No. 23967

Spec Sheet AA 20.74

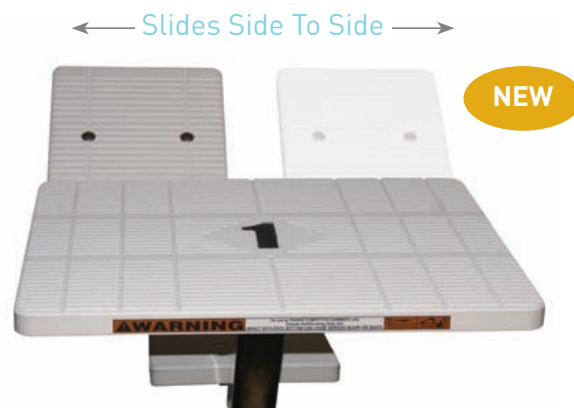
#### TRACK START PLUS + SAFETY COVER

I.D. No. 23969

Spec Sheet AA 20.74



Track Start Plus+ with Adjustable Backplate



La Mirada Splash, La Mirada, California



### PLATFORM SAFETY LABELS

Be sure every starting platform is labeled to advise users of proper racing dive technique. Set of 2 labels for labeling back and side of platform top.

I.D. No. 22621X



All platforms now come with molded-in safety label which cannot peel or be removed.

## FULL HEIGHT TRACK START TOP

For competitive swimming a deeper size starting platform top has become the more preferable option. The Track Start top is 24" x 32" and can be mounted to a single-leg quickset or dual leg stainless steel pedestal. Our anchoring systems allow for quick installation and provide a secure base. Custom designs are available for special facility circumstances.

## LONG REACH TRACK START COMPETITOR REAR MOUNT

The anchor setback ("B" dimension) is available from 36" to 40".

Uses 10" Competitor Dual-Wedge Anchor  
Anchor I.D. No. 23140DW  
B= 36" - 40"  
Spec Sheet SP 10.60.6



Track Start PLUS+ Enhancements shown on Long Reach Competitor Rear Mount

The Long Reach is designed for deck level pools with wide overflow gutter systems.

## Full Height Track Start Size

### Single Leg (Quickset)

The Track Start top (24" wide x 32" deep) is mounted to a single-leg quickset stainless steel pedestal. A seamless upgrade and replacement to your existing Paragon Quickset Platforms, it has been designed to use existing Quickset Anchors. Make your starting platforms one-of-a-kind.

### TRACK START QUICKSET STARTING PLATFORM

This Single Leg design utilizes the Track Start size top (24" x 32"). The anchor setback range ("B" dimension) is 21" to 26". It comes standard with a rear step but can have a side step when the deck constraints require it.

Uses Quickset Dual-Wedge Anchor  
Anchor I.D. No. 23302  
Spec Sheet SP 10.60.7



### Dual Leg (Competitor)

Our highly regarded Track Start Competitor Models (available in side step and rear mount) give swimmers an extra fast takeoff. The 24" x 32" top supports the "track-type" start now used by many competitive swimmers.

### TRACK START COMPETITOR SIDE STEP FULL HEIGHT

The anchor setback ("B" dimension\*) is available at 18" or 24". Uses 6" Competitor Dual-Wedge  
\* Anchor set back from pool wall

Anchor I.D. No. 23103DW  
B= 18", A < 24 1/2"  
Spec Sheet SP 10.60.3  
B= 18", A > 24"  
Spec Sheet SP 10.60.4  
B= 24", A = 17"-31"  
Spec Sheet SP 10.60.5



**WARNING:** Starting Platforms are to be used only by trained competitive swimmers. Only shallow racing dives should be executed. Impact with the pool bottom can cause serious injury. Please refer to applicable codes and regulations for your specific installation.



## FULL HEIGHT STANDARD SIZE TOP

### Dual Leg (Competitor)

The Competitor platform is our dual leg model starting platform. This versatile design accommodates our standard tops (24" x 20") as well as our track start tops (24" x 32"). All Competitor anchor systems (patented) come in two types of anchor assemblies, 6" Competitor Dual-Wedge (for anchor setbacks of under 30") or 10" Competitor Dual-Wedge (for anchor setbacks of over 30"). Colors and graphics are an option.

Note: All platforms are furnished with a tilted top unless otherwise specified.

### Standard Dual Leg (Competitor)

#### CLASSIC STANDARD COMPETITOR

This Dual Leg design utilizes the standard size top (24" x 20"). The anchor setback ("B" dimension) is fixed at 18".

Uses 6" Competitor Dual-Wedge Anchor

Anchor I.D. No. 23103DW

Spec Sheet SP 10.59



#### LONG REACH STANDARD COMPETITOR

(B = 20"-29-1/2")

Designed to accommodate most pool profiles. The anchor setback ("B" dimension) range is 20" to 29-1/2".

Uses 6" Competitor Dual-Wedge Anchor

Anchor I.D. No. 23103DW

Spec Sheet SP 10.60.1



#### LONG REACH STANDARD COMPETITOR

(B = 30"-40")

For pools with wide overflow gutter systems. The anchor setback ("B" dimension) range is 30" to 40".

Uses 10" Competitor Dual-Wedge Anchor

Anchor I.D. No. 23140DW

Spec Sheet SP 10.60.2



Tupelo, Mississippi



WARNING: Starting Platforms are to be used only by trained competitive swimmers. Only shallow racing dives should be executed. Impact with the pool bottom can cause serious injury. Please refer to applicable codes and regulations for your specific installation.

## FULL HEIGHT

### Single Leg - Standard Top

These platforms are designed to render the maximum allowable height above water. They are available in a variety of configurations to accommodate your specific facility requirements and come with your choice of two anchoring systems, Paraflyte or Quickset. All Full Height Single Leg platforms come with anchors. Platform top is 24"x 20".

The Shortee Model is designed for pools where the deck-to-water dimension exceeds 12". The anchor setback ("B" dimension) is fixed at 18".



#### SHORTEE Paraflyte Model

Requires tools for installation and removal. [Uses Paraflyte Anchor](#)  
Anchor I.D. No. 22201  
[Spec Sheet SP 10.57](#)



#### SHORTEE Quickset Model

Requires no tools for installation or removal.  
[Uses Quickset Dual-Wedge Anchor](#)  
Anchor I.D. No. 23302  
[Spec Sheet SP 10.58](#)

The Classic Standard Model is designed to fit most pools. The anchor setback ("B" dimension) ranges from 21" to 26" depending upon platform height.



#### CLASSIC Standard Paraflyte Full Height

Requires tools for installation and removal.  
[Uses Paraflyte Anchor](#)  
Anchor I.D. No. 22201  
[Spec Sheet SP 10.51](#)



#### CLASSIC Standard Quickset Full Height

Requires no tools for installation or removal.  
[Uses Quickset Dual-Wedge Anchor](#)  
Anchor I.D. No. 23302  
[Spec Sheet SP 10.52](#)

The Long Reach Standard is designed for deck level pools with wide overflow gutter systems. The anchor setback ("B" dimension) is fixed at 34-1/2".



#### LONG REACH Standard Paraflyte Full Height

Requires tools for installation and removal.  
[Uses Long Reach Paraflyte Anchor](#)  
Anchor I.D. No. 22501  
[Spec Sheet SP 10.53](#)



#### LONG REACH Standard Quickset Full Height

Requires no tools for installation or removal.  
[Uses Quickset Dual-Wedge Anchor](#)  
Anchor I.D. No. 23302  
[Spec Sheet SP 10.54](#)

The Florida standard model is designed to be set atop an elevated curb adjacent to the gutter. Such protective curbs are required by some states to keep out debris and runoff. The anchor setback ("B" dimension) is fixed at 18".



#### FLORIDA Standard Paraflyte Full Height

Requires tools for installation and removal. [Uses Paraflyte Anchor](#)  
Anchor I.D. No. 22201  
[Spec Sheet SP 10.55](#)



#### FLORIDA Standard Quickset Full Height

Requires no tools for installation or removal.  
[Uses Quickset Dual-Wedge Anchor](#)  
Anchor I.D. No. 23302  
[Spec Sheet SP 10.56](#)



**WARNING:** Starting Platforms are to be used only by trained competitive swimmers. Only shallow racing dives should be executed. Impact with the pool bottom can cause serious injury. Please refer to applicable codes and regulations for your specific installation.

## LOW HEIGHT

### Varsity

Our varsity starting platform series was originally designed to accommodate the high school ruling of an allowable height above water in some venues of 18". This ruling has changed. However, the coaching community still utilizes this platform to render less than maximum height above water. All Low Height Varsity platforms include anchors with the exception of the Classic Standard and Long Reach Standard Paraflyte platforms. Platform top is 24"x 20". Varsity models do not include a mounting step and must be specified at time of order.

We recommend a mounting step be added when the "A" dimension is 15" or greater [at additional cost].



Photo Courtesy of Speedo

Note: All platforms are furnished with a tilted top unless otherwise specified.

## Single Leg

The Classic Standard Model is designed to fit most pools.



### VARSITY CLASSIC Standard Paraflyte

The anchor setback ("B" dimension) is available at 14", 18", 21" or 26".

Uses Paraflyte Anchor (not included)  
Anchor I.D. No. 22201

B = 21" or 26" – Spec Sheet SP 10.61  
B = 14" or 18" – Spec Sheet SP 10.62

Varsity Standard Platform Optional Step – I.D. No. 23950



### VARSITY CLASSIC Standard Quickset

The anchor setback ("B" dimension) is available at 14", 18", 21" or 26".

Uses Quickset Dual-Wedge Anchor  
Anchor I.D. No. 23302

Spec Sheet SP 10.63

The Long Reach Standard is designed for deck level pools with wide overflow gutter systems.

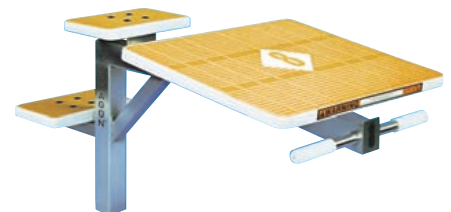


### VARSITY LONG REACH Standard Paraflyte

The anchor setback ("B" dimension) is fixed at 34 1/2".

Uses Long Reach Paraflyte Anchor  
(not included)  
Anchor I.D. No. 22501  
Spec Sheet SP 10.65

Varsity Long Reach Platform Optional Step I.D. No. 23951



### VARSITY LONG REACH Standard Quickset

The anchor setback ("B" dimension) is fixed at 34 1/2".

Uses Quickset Dual-Wedge Anchor  
Anchor I.D. No. 23302  
Spec Sheet SP 10.67

## Dual Leg - Competitor

This dual leg design utilizes the standard size top.



### VARSITY STANDARD COMPETITOR

The anchor setback ("B" dimension) is fixed at 18".

Uses 6" Competitor Dual-Wedge Anchor  
Anchor I.D. No. 23103DW  
Spec Sheet SP 10.69

### VARSITY COMPETITOR PLATFORM OPTIONAL STEP I.D. No. 24090

(must be ordered with platform)



WARNING: Starting Platforms are to be used only by trained competitive swimmers. Only shallow racing dives should be executed. Impact with the pool bottom can cause serious injury. Please refer to applicable codes and regulations for your specific installation.

## COLORADO BLOCK BY PARAGON™

For competitive swimming venues, two companies have established their products as essential for accurate, problem-free racing. Paragon with its unrivaled starting platforms; Colorado Time Systems and its relay judging platforms (RJP) and other components.

The RJP, mounts securely atop the Paragon platform with an exclusive system which does not require tools, providing the most accurate way by far to judge a swimmer's departure for starts and relay exchanges. With the Colorado Block you can rely on accuracy to 1/100th of a second! The RJP portion of the block can decipher between weight shifts and actual starts.

The uniquely-engineered Colorado Block houses the connection plate, which protects the electronics from the harsh pool environment. Additionally, it enables the removal of the timing system without the use of tools.

The Colorado Block is also a great training device. Swimmers can fine-tune their start reaction times and their relay exchanges.



(Shown with FINA Backstroke Bars atop a Track Start Competitor Rear Step Model, and powder-coated platform and sponsor panel.)

### ADAPTER KIT FOR PARAGON STARTING PLATFORM

Sponsor's panel of stainless steel fits on platform's slide brackets to display sponsor info, school logo or other graphics. Also includes horn and deck plate mounting bracketry. Panel slides open for easy access to horn and deck plate. It is removable from the starting platform without tools.

Included: hardware, quick connectors, instructions, drill bit for retrofits and sponsor's panel slide brackets. These are factory installed on the starting platforms or can be easily retrofitted for field upgrades

### TRACK START SIDE STEP

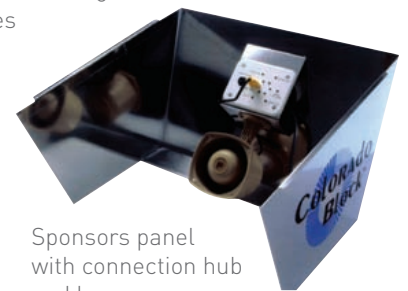
I.D. No. 22670D  
Spec Sheet SP 10.70

### STANDARD COMPETITOR

I.D. No. 22672D

### STANDARD PARAFLYTE/QUICKSET

I.D. No. 22674D  
Spec Sheet SP 10.72



Sponsors panel with connection hub and horn



Shown atop a Track Start Competitor Rear Mount Model

### LONG REACH TRACK START REAR MOUNT

I.D. No. 22671D  
Spec Sheet SP 10.71

### LONG REACH COMPETITOR

I.D. No. 22673D

Rear mount models available with stainless steel sponsor's panel.



**WARNING:** Starting Platforms are to be used only by trained competitive swimmers. Only shallow racing dives should be executed. Impact with the pool bottom can cause serious injury. Please refer to applicable codes and regulations for your specific installation.

## STARTING PLATFORM ANCHORS

### Fixed Platform Anchors

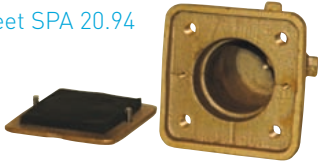
Requires tools to install and remove platform.

#### PARAFLYTE ANCHOR

Ideal for situations where the platform does not need to be removed from the pool deck. Single-leg starting platform is bolted to the cast bronze anchor requiring tools for installation and removal of the platform.

I.D. No. 22201

[Spec Sheet SPA 20.94](#)



#### LONG REACH PARAFLYTE ANCHOR

Designed for the Long Reach Standard Paraflyte single-legged platform. Attaches to the heavy-duty stainless steel anchor with four bolts and requires the use of tools for installation and removal of the platform.

I.D. No. 22501

[Spec Sheet SPA 20.95](#)



## Dual-Wedge Anchors

### Removable Platform Anchors

Does not require tools to install and remove platform.

### Competitor Dual-Wedge Anchor

6" and 10" Dual-Wedge Competitor Anchors, featuring heavy duty cast, electro-polished T316 stainless steel sockets with patented taper lock base and wedge, eliminates all free movement in the anchor. Bronze wedge assembly is easily adjusted by hand using the integrated knob design allowing the starting platform to be installed and removed without the use of tools. When the platform is removed from the anchor the wedge assembly is stored inside the socket and the cover (included) can be installed. Welded spacers are factory installed to ensure proper alignment with platforms.

#### 6" COMPETITOR DUAL-WEDGE ANCHOR

This 6" deep anchor assembly is used on all Competitor starting platforms with an anchor setback ("B" dimension) of under 30".

I.D. No. 23103DW

[Spec Sheet SPA 20.96](#)



#### 10" COMPETITOR DUAL-WEDGE ANCHOR

This 10" deep anchor assembly is used on all Competitor starting platforms with an anchor setback ("B" dimension) of 30" to 40".

I.D. No. 23140DW

[Spec Sheet SPA 20.97](#)

#### QUICKSET® DUAL-WEDGE ANCHOR

Constructed of heavy duty T304 stainless steel, a combination of the patented taper lock base and dual acting wedge design eliminates front-to-back and side-to-side movement. Dual-Wedge Assembly has an integral adjusting knob which is easily turned by hand to install and remove the platform without the need for tools.

Self-contained wedge assembly, readily removable and stored within the anchor when not in use.

Anchor cover included.

[Dual-Wedge Anchor](#) I.D. No. 23302

[Cover](#) I.D. No. 22213

[Replacement Wedge Assembly](#)

I.D. No. 23304

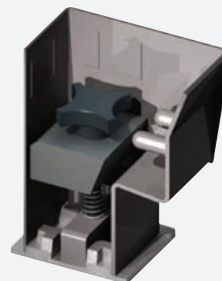
[Spec Sheet SPA 20.90](#)



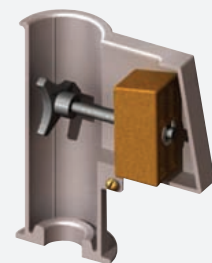
## Anchor Wedge Assembly Storage

When the anchor is not in use and the wedge assembly is inside the anchor, the cover slips on, preventing debris from entering the anchor.

Anchor does not require tools to operate. Integrated plastic knob allows for tightening of wedge assembly. Wedge assembly is removable for storage inside anchor socket when not in use.



Quickset® Anchor Interior  
Detail of storage



Competitor Anchor  
Interior Detail of storage

## Our Standard Colors



Red (#R1)



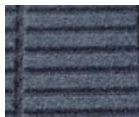
Blue (#B6)



White

Green  
(#GN23)

Yellow (#Y17)

Cranberry  
(#R12)Black  
(#BL1)

Adding color is an option. We're able to match any color within a color-coding system such as the Pantone Color Matching System. Virtually all school colors are matchable.

Color Upgrade I.D. No. 23990C  
(for color upgrade per unit)

## CUSTOMIZE YOUR SAND TOP STARTING PLATFORMS

### POWDER COATING

Pedestal powder coating is now available in a variety of colors. Combined with our platform top colors and graphics, this option can make your starting platform one-of-a-kind.



### POWDER COATING UPGRADE

I.D. No. 23992

(I.D. No. for powder coating upgrade only)

### RENEW . . .

your existing Paragon Starting Platform Tops (and steps) with the new patented and grooved sand finish.



Send us your old style Paragon white polypropylene tops and steps and take advantage of our refinishing program. You'll get the most recent groove patterns as well as the sand finish surface for a great value. Adding color is also an option for refinished platforms for minimal additional cost.

Please contact us or your authorized Paragon Aquatics distributor.

### GRAPHICS

Our custom logo sand top option has become a popular upgrade. We have been customizing and installing in facilities across the United States. Featured here are a few of our high quality finished sand tops.

This custom feature offers expanded design options (i.e., school or team logo). Paragon is again leading the field with new and innovative products.

Custom Logo Upgrade

I.D. No. 23991

(I.D. No. for logo upgrade only)



## HOW TO SIZE YOUR STARTING PLATFORMS



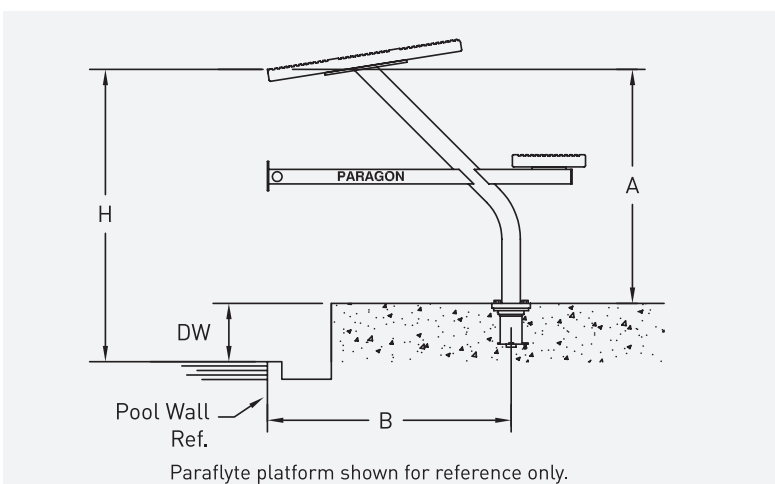
Photo Courtesy of Speedo

1. Review our catalog to become familiar with the variety of models, options and anchor systems available.
2. Establish the maximum desired height above water using applicable rulings that govern competitive swimming. Information provided is the latest available at the time of printing. Please confirm that rules have not changed.  
Important: Please refer to your local, municipal, and state statutes, ordinances, and regulations, which may vary from locale to locale.

STARTING PLATFORM HEIGHT REQUIREMENTS				
Ruling Body	Course Length	Water Depth		
		Less Than 4'-0"	4'-0" to 4'-6"	Greater Than 4'-6"
FINA	Long/Short	NO PLATFORM		20" - 29 1/2"
NCAA	Long/Short	NO PLATFORM	30" MAX	
USAS	Long	NO	20" - 29 1/2"	
	Short	PLATFORM	30" MAX	
USMS	Long	NO	20" - 29 1/2"	
	Short	PLATFORM	30" MAX	
NFHS	Long/Short	NO PLATFORM	30" MAX	

Location of Water Depth Measurement from Pool Wall	
FINA	3'-3 1/2" (1 meter) to 19'-8 1/4" (6 meters)
NCAA	Minimum 4'-0" throughout pool recommended
USAS	3'-3 1/2" (1 meter) to 16'-5" (5 meters)
USMS	3'-3 1/2" (1 meter) to 16'-5" (5 meters)
NFHS	From pool wall (0 meters) to 16'-5" (5 meters)

3. Determine "B" Dimension: The dimension is always taken from the vertical pool wall to the center of the anchor socket.
4. Calculating The "A" Dimension: The "A" dimension is defined as the vertical dimension from the top of the anchor socket (flush with the pool deck slab) to the top, front edge of the starting platform top. The "A" dimension plus the deck to water dimension (DW) cannot exceed the maximum height above water (H) as determined by your ruling body. If your pool deck is sloped (for drainage), please account for the rise/drop in elevation of the deck in calculating the "DW" dimension.
5. For each given pool type, Paragon has general platform recommendations. These are provided for your convenience in selecting a platform. Select a platform with the appropriate "A" and "B" dimensions as determined above. The diagram references Paragon's standard platform style offerings.



NOTE: If you require a special configuration, please contact us or one of our authorized distributors.

# PLATFORM SELECTOR CHARTS

Now that you have sized your platform use the charts to determine the product that will work best at your pool facility. If this selection does not meet your precise requirements, we will make something that does. Custom platforms are our specialty.

SELECTOR CHART — FULL HEIGHT MODELS (UP TO 30" ABOVE WATER)													
Model	Classic		Long Reach		Florida		Competitor Classic Standard	Long Reach Competitor		Track Start Competitor		Track Start Quickset	
	Page 10		Page 11		Page 10		Page 9	Page 9		Page 6		Page 6	
A Dim In.	B Dim In.*	Paraflyte	Quickset	Paraflyte	Quickset	Paraflyte	Quickset			Side Step	Rear Mount		
		B=34-1/2"		B=18"		B=18"		B=30"-40"	B=20"-29-1/2"	B=18", 24"	B=36"-40"	B=21"-26"	
		I.D. Number		I.D. Number		I.D. Number		I.D. Number	I.D. Number	I.D. Number		I.D. Number	
31.0				22401	23401					24301	24401	24501	24601
30.5				22402	23402					24302	24402	24502	24602
30.0	26	22101	23201	22403	23403			23001	24303	24403	24503	24603	24700
29.5	26	22102	23202	22404	23404			23002	24304	24404	24504	24604	24701
29.0	26	22103	23203	22405	23405			23003	24305	24405	24505	24605	24702
28.5	26	22104	23204	22406	23406			23004	24306	24406	24506	24606	24703
28.0	26	22105	23205	22407	23407	22901	23531	23005	24307	24407	24507	24607	24704
27.5	26	22106	23206			22902	23532	23006	24308	24408	24508	24608	24705
27.0	26	22107	23207			22903	23533	23007	24309	24409	24509	24609	24706
26.5	26	22108	23208			22904	23534	23008	24310	24410	24510	24610	24707
26.0	26	22109	23209			22905	23535	23009	24311	24411	24511	24611	24708
25.5	26	22110	23210			22906	23536	23010	24312	24412	24512	24612	24709
25.0	26	22111	23211			22907	23537	23011	24313	24413	24513	24613	24710
24.5	25	22112	23212			22908	23538	23012	24314	24414	24514	24614	24711
24.0	25	22113	23213			22909	23539	23013	24315	24415	24515	24615	24712
23.5	24	22114	23214					23014	24316	24416	24516	24616	24713
23.0	24	22115	23215					23015	24317	24417	24517	24617	24714
22.5	23	22116	23216					23016	24318	24418	24518	24618	24715
22.0	23	22117	23217					23017	24319	24419	24519	24619	24716
21.5	23	22118	23218					23018	24320	24420	24520	24620	24717
21.0	23	22119	23219					23019	24321	24421	24521	24621	24718
20.5	23	22120	23220					23020		24422	24522		24719
20.0	23	22121	23221					23021		24423	24523		24720
19.5	22	22122	23222					23022		24424	24524		24721
19.0	22	22123	23223					23023		24425	24525		24722
18.5	22	22124	23224					23024		24426	24526		24723
18.0	21	22125	23225					23025		24427	24527		24724
17.5	21	22126	23226					23026		24428	24528		24725
17.0	21	22127	23227					23027		24429	24529		24726

\* 'B' dimensions refer to Classic models only. 'B' dimensions vary on other models as indicated.

SELECTOR CHART — FULL HEIGHT MODELS (UP TO 18" ABOVE WATER)									
VARSITY LINE								SHORTEE	
Model	Classic Page 10			Long Reach Page 11		Competitor Page 11	(Full Height) Page 10		
A Dim In.	Paraflyte		Quickset		Paraflyte	Quickset	Varsity Standard	Paraflyte	Quickset
	B Dim's In.		B Dim's In.		B=34-1/2"	B=34-1/2"	B=18"	B=18"	B=18"
	I.D. Number		I.D. Number		I.D. Number		I.D. Number		I.D. Number
19.0						23901	23921		
18.5						23902	23922		
18.0	21 or 26	23601	14, 18, 21 or 26	23801	23903	23923	24001	22920	23560
17.5	21 or 26	23602	14, 18, 21 or 26	23802	23904	23924	24002	22921	23561
17.0	21 or 26	23603	14, 18, 21 or 26	23803	23905	23925	24003	22922	23562
16.5	21 or 26	23604	14, 18, 21 or 26	23804	23906	23926	24004	22923	23563
16.0	21 or 26	23605	14, 18, 21 or 26	23805	23907	23927	24005	22924	23564
15.5	21 or 26	23606	14, 18, 21 or 26	23806			24006	22925	23565
15.0	21 or 26	23607	14, 18, 21 or 26	23807			24007	22926	23566
14.5	21 or 26	23608	14, 18, 21 or 26	23808			24008	22927	23567
14.0	21 or 26	23609	14, 18, 21 or 26	23809			24009	22928	23568
13.5	21 or 26	23610	14, 18, 21 or 26	23810			24010	22929	23569
13.0	21 or 26	23611	14, 18, 21 or 26	23811			24011	22930	23570
12.5	21 or 26	23612	14, 18, 21 or 26	23812			24012	22931	23571
12.0	21 or 26	23613	14, 18, 21 or 26	23813			24013	22932	23572
11.5	14 or 18	23614	14, 18, 21 or 26	23814			24014		
11.0	14 or 18	23615	14, 18, 21 or 26	23815			24015		
10.5	14 or 18	23616	14, 18, 21 or 26	23816			24016		
10.0	14 or 18	23617	14, 18, 21 or 26	23817			24017		
9.5	14 or 18	23618	14, 18, 21 or 26	23818			24018		
9.0	14 or 18	23619	14, 18, 21 or 26	23819			24019		
8.5	14 or 18	23620	14, 18, 21 or 26	23820			24020		
8.0	14 or 18	23621	14, 18, 21 or 26	23821			24021		

\*Note: Anchors not included with Classic Standard Varsity or Varsity Long Reach Standard Paraflyte models.



## LIFEGUARD CHAIRS

A wide selection of fixed, moveable, and portable chairs suitable for every need. The Paraflyte fixed-series chairs, designed to harmonize with our Paraflyte diving towers and starting platforms, feature both sloping pedestal and access ladder. We also have a variety of chairs that can easily be moved about as needed or to avoid the sun.

All fixed or semi-permanent chairs have a rugged platform extending to the pool edge permitting the lifeguard a safe, fast takeoff. All chairs (except Standard, Griff's high model, All Terrain Griff's Guard Station and Griff's Vision Guard Station) have a turquoise, molded fiberglass reinforced plastic seat. Chairs supported on seat pedestals have a 360° swivel.

Our Griff's Guard Station® Sun Shade gives lifeguards protection from harmful UV rays and increased visual effectiveness from their Griff's Guard Station®. The Sun Shade offers a unique range of adjustability, tilting side-to-side, forward-to-back, and up and down, providing maximum visibility by shielding the lifeguard from the sun's glare. A seamless upgrade for all Griff's Guard Stations, easy-to-install and can be retrofitted to existing Griff's Guard® Stations. Many color options are available.

New to our line of Lifeguard Guard Stations are the All Terrain Griff's Guard Station, which is adaptable to any terrain, is easily moveable and can be positioned at the waters' edge. And, the Griff's Vision Guard Station which offers a compact option with dual access and is lightweight for easy moving. The Griff's Vision Sun Shade is a seamless upgrade for the Vision Guard Stations.

All models have a non-skid surface that is vented with heavy duty construction that assures long lasting, trouble-free service.



La Mirada Splash, La Mirada, California

## GRIFF'S VISION GUARD STATION™

Lifeguard effectiveness is key for public water safety. The innovative Griff's Vision Guard Station™ is designed to increase lifeguard effectiveness by providing multiple guard positions and lines of sight, a maximum viewing edge, and dual access within a compact, easily moveable lifeguard station. Dual side access and wide deck allow uninterrupted coverage during shift changes. Steps are widely spaced for safe and quick exit. Cushion seat swivels and folds down to prevent UV damage and deter unauthorized use when not in use.



## GRIFF'S VISION GUARD STATION™

The Griff's Vision Guard Station is available in 1-step, 2-step and 3-step models. All models ship flat and assemble in minutes.

- 1-Step I.D. No. 20340  
Spec Sheet LG 40.29-1
- 2-Step I.D. No. 20341  
Spec Sheet LG 40.29-2
- 3-Step I.D. No. 20342  
Spec Sheet LG 40.29-3

**NEW**



MINIMUM FOOTPRINT...MAXIMUM IMPACT

## GRIFF'S VISION SUN SHADE

The Griff's Vision Sun Shade is a seamless upgrade to the Vision Griff's Guard Station, with no modifications required. Adjusts side-to-side, front-to-back and up and down, providing lifeguards with protection from harmful UV rays while increasing their visual effectiveness. Easily removed. Colors shown below.

- I.D. No. 20345  
Spec Sheet LG 40.295

## VISION SUN SHADE

tilt

raise

rotate

Sun Shade Color Swatches

Aquatic Blue	Desert Sand
Navy Blue	Cherry Red
Brunswick Green	Yellow

## ALL TERRAIN GRIFF'S GUARD STATION®

The All Terrain Griff's Guard Station® was developed for adaptability to any terrain, indoor or outdoor, by the pool, at a waterpark or on the sand. This station was modeled from Tom Griffith's Five Minute Scanning Strategy with the focus on safety. The elevated platform offers lifeguards increased visibility and the front and rear access steps allow for uninterrupted water coverage during shift change. Front steps are widely spaced for safer, front-facing exit facilitating quicker response to emergencies.

The large pneumatic wheels aid in the ability to tip and roll this guard station, with ease, to the next location. Can be positioned near the water's edge, promoting movement with the tide. Cushion seat swivels and folds down to prevent UV damage and deter unauthorized use when not in use.



### ALL TERRAIN GRIFF'S GUARD STATION®

The decking is recessed into a stainless steel support. The overall platform area measures 40-3/8" x 26-3/4" and is located 2'-6" (for 4ft), 3'-6" (for 5ft), or 4'-6" (for 6ft) above the pool deck. Umbrella ring guide is attached to the superstructure and umbrella/life ring holder is attached to the fiberglass decking.

4' - I.D. No. 20330

[Spec Sheet LG 40.28-4](#)

5' - I.D. No. 20331

[Spec Sheet LG 40.28-5](#)

6' - I.D. No. 20332

[Spec Sheet LG 40.28-6](#)

[Powdercoat Upgrade Is Available On All Models](#)

I.D. No. 23996

THE MOST VERSATILE LIFEGUARD CHAIR - EVER!



## GRIFF'S WATER SAFETY SYSTEMS

The Griff's Guard Station® by Paragon, together with Tom Griffiths' 5-Minute Scanning Strategy helps to increase lifeguard effectiveness for increased water safety. The station offers room for movement, allowing lifeguard multiple viewing positions.

Griff's Guard Stations feature front entry, elevated viewing station, easy access, and non-skid surface. A wide front step provides additional station and brings the guard closer to the pool edge. Heavy duty wheels allow convenient, easy portability. Stainless steel and fiberglass construction assures long lasting and trouble-free service.

### THE 5-MINUTE SCANNING STRATEGY

A self-instruction CD for guard training by Tom Griffiths, President, Aquatics Safety Research, LLC. (Formerly Director of Aquatics and Safety Officer for intercollegiate athletics at Penn State University.) "I developed the 5-Minute Scanning Strategy to help lifeguards keep alert on the job. It is based on physiological and psychological task-involved research. The process requires guards to perform specific tasks in five minute segments." For further information, please visit:

[www.aquaticsafetygroup.com](http://www.aquaticsafetygroup.com).

### SHALLOW WATER BLACKOUT VIDEO

A comprehensive 30 minute presentation divided into four categories:

- 1) Introduction and Definitions
- 2) Shallow Water Blackout
- 3) Genetic "Drowning" Triggers
- 4) Summary & Quiz

Both CD's are included with every Griff's Guard Station purchase.



Shown with Sun Shade

### GRIFF'S ELEVATED STEP GUARD STATION

Provides three positions for better viewing. Platform size is 39" x 60" and is 24" above the deck. Front step is 14" x 43". Elevated step is 14" x 40" and 36" above pool deck.

I.D. No. 20386

[Spec Sheet LG 40.25](#)

[Sun Shade Upgrade](#)

I.D. No. 20396

[Spec Sheet LG 40.25.1](#)



### GRIFF'S FLAT GUARD STATION

This station has a wider access for easy entry. Platform size is 39" x 60". Step is 14" x 57". Platform is 24" above deck.

I.D. No. 20385

[Spec Sheet LG 40.26](#)

[Sun Shade Upgrade](#)

I.D. No. 20395

[Spec Sheet LG 40.26.1](#)



### GRIFF'S FULL HEIGHT GUARD STATION

Higher viewing angle for greater visibility. Bench size is 14" x 40" and 4' above pool deck. Platform size is 43" x 39" and is 33" above pool deck. Access steps are 14" x 40".

I.D. No. 20387

[Spec Sheet LG 40.27](#)

[Sun Shade Upgrade](#)

I.D. No. 20397

[Spec Sheet LG 40.27.1](#)

## PERMANENT PARAFLYTE LIFEGUARD CHAIRS

All Paraflyte chairs have a platform height of 4'6", a seat height of 6'0" above the deck, and are supported by a stainless steel flanged pedestal which is set back 3'0" from the pool wall. The ladder at side is set back 3' 1-5/8" from the pool wall. Combination ladder risers and guard rails are .065" wall x 1.90" diameter, Type 304 stainless steel, polished and buffed to a 320 grit finish.

All platforms (footboards) are constructed of laminated wood, coated with fiberglass and polyester resin and have a non-skid surface.

All permanent Paraflyte lifeguard chairs are furnished with pedestal, pedestal anchor, rear anchors, (where required) and escutcheon plates. All are furnished with holders for rescue tube and umbrella.

Paraflyte ladder at rear also comes in .145" wall thickness. Replacement ladder steps are 19" and are available in vertical and sloping designs.



### LIFEGUARD CHAIR PEDESTAL ANCHOR ASSEMBLY

Stainless steel factory welded assembly for fixed pedestal chairs.

I.D. No. 21005



### PARAFLYTE LADDER AT REAR

Recommended for general use. The rear ladder with flared guard rails provides easy access to the platform. The horizontal rails provide protection and serve as arm rests.

[Paraflyte \(Ultraflyte\) Chair](#)

I.D. No. 20001

Stainless steel rails are .145" wall

[Paraflyte \(Superflyte\) Chair](#)

I.D. No. 20002

Stainless steel rails are .065" wall

[Spec Sheet LG 10.41](#)



### PARAFLYTE LADDER AT SIDES

Two access ladders allow the lifeguard to dismount quickly and safely from either side. Two guards can each stand in an elevated position for unbroken surveillance during guard change and relay of instructions.

I.D. No. 20003

[Spec Sheet LG 10.43](#)



### PARAFLYTE CLUB

Acclaimed Paraflyte styling and quality. A single anchor at pedestal base supports the entire chair. The vertical access ladder requires less deck space and does not need separate anchors. Pedestal Anchor furnished. Rear anchors and escutcheon plates not required.

I.D. No. 21001

[Spec Sheet LG 10.47](#)



### PARAFLYTE OSHA CHAIR

This chair is designed specifically to comply with federal OSHA regulations. Guard rails are 42" above the platform and extend to the front of the platform.

I.D. No. 20004

[Spec Sheet LG 10.45](#)

## MOVEABLE AND PORTABLE LIFEGUARD CHAIRS



6' Moveable

### MOVEABLE (Wheel-A-Round)

An ideal solution for a chair that is needed at different locations. Both rugged and stable, yet can be easily moved by one person. The heavy duty 7" diameter wheels roll easily on deck or lawn. The perfect chair for supervision, instruction, and judging. The wide ladder at front leads directly to platform. Furnished with 26" steps. Available with seat at eight-feet, six-feet and four-feet above deck. (Not suitable for diving.)

- 8-feet I.D. No. 20301  
[Spec Sheet LG 20.39-8](#)
- 6-feet I.D. No. 20302  
[Spec Sheet LG 20.39-6](#)
- 4-feet I.D. No. 20305  
[Spec Sheet LG 20.39-4](#)

## PORTABLE CHAIRS

Portable 2-, 3-, and 4-step models are for areas not requiring a full height chair. Light enough to be lifted easily by one person (the 4-step weighs only 70 lbs.). Sloping front ladder with 19" sloping steps allows access to molded contour seat. Angled legs add stability. (WARNING: Chairs are not suitable for diving nor recommended for use with umbrellas under windy conditions.)



**4-STEP**  
(6'-0" above deck)  
I.D. No. 20401  
[Spec Sheet LG 20.37](#)



**3-STEP**  
(4'-6" above deck)  
I.D. No. 20460  
[Spec Sheet LG 20.37](#)



**2-STEP**  
(3'-10" above deck)  
I.D. No. 20450  
[Spec Sheet LG 20.37](#)

Optional wheels can be retrofit for added mobility. Includes 4" wheels with mounting bracket and hardware.

- [4-Step Kit](#)  
I.D. No. 20404
- [3-Step Kit](#)  
I.D. No. 20403
- [2-Step Kit](#)  
I.D. No. 20402



## LOOKOUT FAMILY

Lookout chairs have a roomier, non-skid surface platform. Stand is at a low height to allow for a faster dismount. These chairs can be placed closer to pool edge for circumstances where space is a consideration.



### LOOKOUT DUAL SIDE MOUNT

Ideal for pools with limited deck space. Convenient access from both sides allows lifeguard change with uninterrupted coverage. Portable, solid stainless steel frame, swivel seat is mounted on a 4' x 4' platform. Access steps are 26". Seat height is 54" from deck. Platform height is 36" from deck. Wheels allow for easy relocation.

I.D. No. 20380

[Spec Sheet LG 20.34](#)



### LOOKOUT PLATFORM CHAIR

Engineered especially for busy aquatic facilities and water parks. Access from both sides allows uninterrupted guard change. Sloping steps allow quicker dismount. Portable, solid stainless steel frame, seat mounted on an extra large 60" x 40" platform. Utilizes 26" steps. Seat height is 54" from deck. Platform height is 36" from deck.

I.D. No. 20370

[Spec Sheet LG 20.32](#)

## THE "LOOKOUT CHAIR" FAMILY

"Lookout Chairs" have grown into an extended family of their own with 5 models designed for pools that do not require a full height chair. All Lookout chairs offer an elevated, 360° swivel seat which sits on a non-skid, fiberglass platform. Station provides easy access and dismount. Seat is molded plastic. The supporting frames are constructed of 1.90" O.D. x .065" T304 stainless steel. All models come with an umbrella holder and the 3-step also has a rescue tube holder. 4" diameter wheels are included on 2- and 3-step models for portability.

(WARNING: Umbrella use should be discontinued under windy conditions.)



### 1-STEP STANDARD MODEL

Seat 30" above deck.

Platform size is 36" x 38" and is 12" above deck.

I.D. No. 20350

[Spec Sheet LG 20.31-1](#)

[1-Step Lookout Wheel Kit \(optional\)](#)

I.D. No. 20377



### 3-STEP MODEL WITH WHEELS

Seat 54" above deck. Furnished with 19" steps. Platform size is 48" x 48" and 36" above pool deck.

I.D. No. 20365

[Spec Sheet LG 20.36](#)



### 2-STEP MODEL WITH WHEELS

Seat 42" above deck.

Furnished with 19" step.

Platform size 36" x 38" and is 24" above pool deck.

I.D. No. 20360

[Spec Sheet LG 20.31-2](#)

## LIFEGUARD CHAIRS

### ACCESSORIES

#### LIFEGUARD CHAIR SEAT

One piece molded fiberglass reinforced, turquoise, plastic seat with stainless steel mounting bolts.

I.D. No. 20701

White Seat

I.D. No. 20701W



#### CUSHIONED SEAT UPGRADE/RETROFIT

The Cushioned Seat mounts to our existing swivel support pedestals and is offered as an upgrade for new lifeguard chair orders. The seat can also be retrofitted to existing lifeguard chairs with a swivel support pedestal in the field. Made from high impact plastic with cushions covered in marine grade vinyl. Seat folds down to prevent UV damage. Mounting adaptor plate and hardware kit included.

Upgrade for New Lifeguard Chairs

I.D. No. 20703

Retrofit for Existing Lifeguard Chairs

I.D. No. 20705

NEW



#### SWIVEL CHAIR SEAT SUPPORT

Stainless steel welded assembly ready for installation. Designed to render proper seating angle when mounted to plastic seat. Has 360° swivel capability with bearing surface of low friction non-metallic disc to prevent seizing or binding due to corrosion. Rugged construction. Hardware is not included.

I.D. No. 20702

Seat Support Hardware I.D. No. 93970



### Semi-Permanent Chair

#### ROVER SEMI-PERMANENT

Designed for those pools where the lifeguard chair must be anchored, yet still be capable of being readily moved. Chair might be moved to opposite sides of the pool each day. The rear legs are set into sockets anchored in the deck, while the front legs with 7" diameter wheels allow for easy relocation. Ladder has 19" steps. Furnished with two pairs of anchor sockets (for two locations), additional sets must be ordered separately.

I.D. No. 20303

Spec Sheet LG 20.33



### Original Fixed Chair

#### STANDARD

Our original, basic guard chair. The seat, backrest, and non-skid footrest are fabricated of laminated wood coated with fiberglass and polyester resin. The frame is constructed of stainless steel tube and ABS steps. Platform height is 4'4" and seat height is 6'0" above the deck. Furnished with 19" steps and holder for rescue tube and umbrella. Optional anchor socket (28102) and escutcheon plates (28301 or 28302) available.

I.D. No. 20601

Spec Sheet LG 20.35





## DIVING TOWERS

Our diving towers offer significant differences to satisfy varying needs, including budgets, preferences, and job conditions. Depending upon model, sizes vary from 1/2 meter to 3 meters in height. Paraflyte towers are available in one meter and three meter models.

Each tower is furnished complete with railings, rear anchor, front anchor, pedestal, and fulcrum. These can be varied to suit specific job requirements or specifications. Models satisfy most pool configurations, however, custom designs are available. Specification sheets, AutoCAD® drawings and Revlt models are available for each model.

Anchors are included and are shipped with each tower. Anchors needed in advance for construction purposes can be ordered by identification numbers.

Standard tower pedestals come in red prime coat, ready for painting to match your facility, or in stainless steel (at extra cost), with flanged base.

Each Paraflyte tower is available in several different grades. The variations among grades apply only to materials. There is no difference in design or detail between grades of the same tower.



# STAIR ENTRY SYSTEMS AVAILABLE FOR PARAGON DIVING TOWERS

**NEW**

Available both as part of a new diving tower, or as a retrofit to an existing PARAGON 3 meter diving tower.

All stair and guard rails (including both sides of diving board for new towers) to be provided with 1" OD pickets, not greater than 5" on center. All treads and platforms to be made from Duradeck Fiberglass Decking (White). Stair treads shall be 11" standard and risers shall not exceed 9". All new stair entry towers provided with flanged pedestals and Sportflyte grade materials unless otherwise specified.

Many custom architectural elements are also available including plexiglas panels (in place of pickets) and alternate stair plan views where access is limited. Additionally, AutoCAD 2D views and Revit 3D models can be provided for all standard and custom solutions. Call for a consultation.



## NEW PARAGON 3-METER DIVE TOWER WITH STAIR ENTRY SYSTEM

Tower Model	Paraflyte		Duradapt		Sportflyte	
Stair Position	Right	Left	Right	Left	Right	Left
I.D. No.	12193R	12193L	12190R	12190L	13505R	13505L
Spec Sheet	DT10.31		DT10.32		DT10.33	

## RETROFIT STAIR ENTRY SYSTEM TO EXISTING PARAGON SIDE OR REAR LADDER 3-METER DIVE TOWER

Tower Model	Paraflyte			Duradapt		Sportflyte	
Existing Ladder			Rear			Rear	Rear
Stair Position	Right	Left	Right*	Right	Left	Right*	Right*
I.D. No.	12196R	12196L	12198	12196R	12196L	12199	12198
Spec Sheet	DT10.34		DT10.36	DT10.35		DT10.37	DT10.36

\*Standard access is on Right Side (viewed from rear of tower, facing pool). Left side access also available upon request.

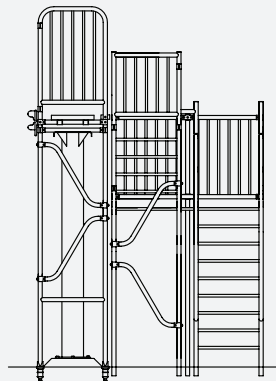
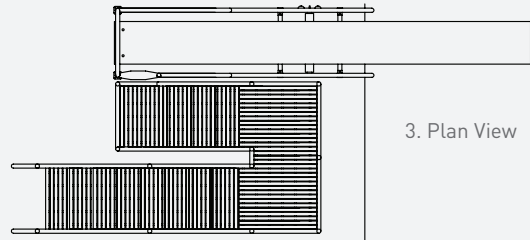
Diving board style and configuration must be specified at time of order. Please see page 29 for specifications and board selection.

For NEW models, please specify diving board type and length when ordering.

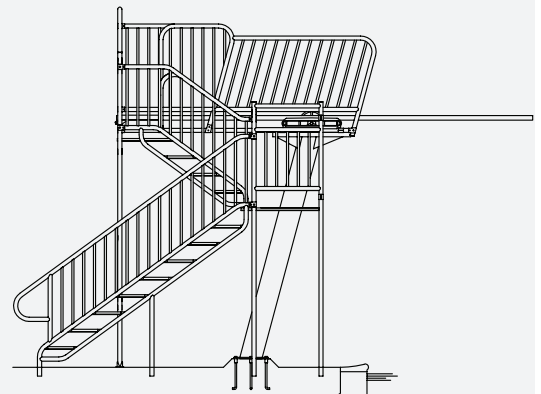
Call or e-mail for consultation:  
1-888-534-7946

PoolApplicationsRFQ@pentair.com

Custom retrofit solutions available for other styles.



2. Rear View



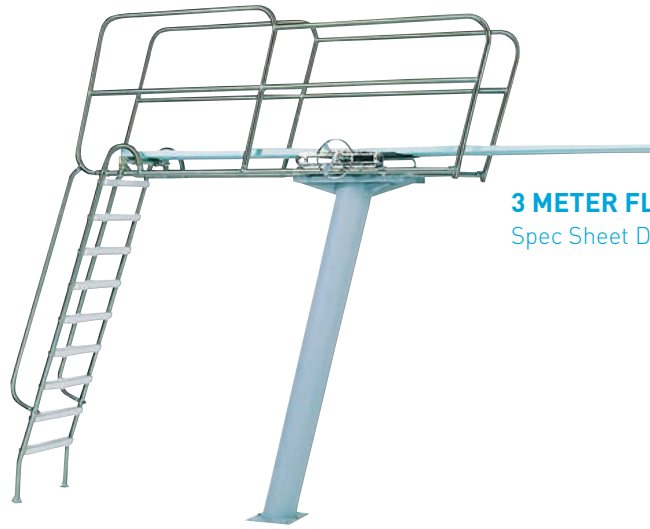
1. Side View



## PARAFLYTE DIVING TOWERS

### PARAFLYTE, LADDER AT REAR

The most common option, designed for competition and larger commercial or institutional pools where ample space is available. May be installed outdoors or indoors. Utilizes 26" steps. Guard rails and hand rails are welded and extend to pool edge.



**3 METER FLANGED PEDESTAL**  
Spec Sheet DT 10.05

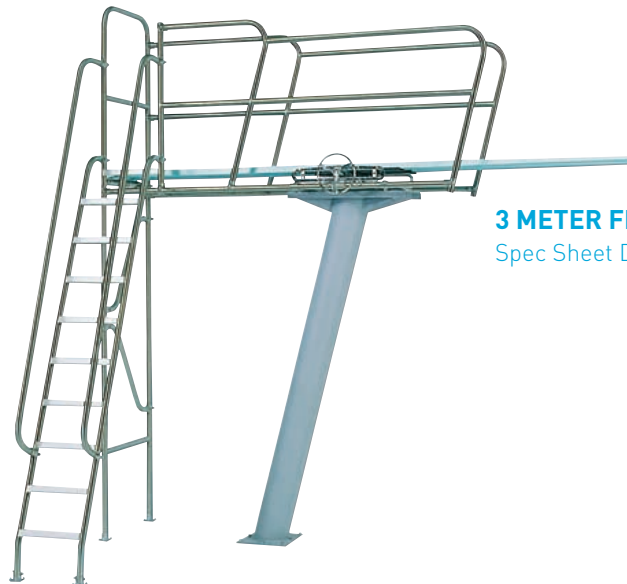


**1 METER FLANGED PEDESTAL**  
Spec Sheet DT 10.09

### PARAFLYTE, LADDER AT SIDE

Designed for limited space, particularly natatoriums. Uses three feet less deck space than ladder-at-rear towers. Ladder can be mounted on either side. Utilizes 19" steps. Guard rails and hand rails are welded and extend to pool edge.

The **Anchor Bolt Assembly** is included as a standard component with all diving towers with flanged pedestals. The flanged stub or the cage anchor can be noted in the specifications and/or purchase order and will be an added cost. See page 31 for complete details on anchors and accessories.



**3 METER FLANGED PEDESTAL**  
Spec Sheet DT 10.17



**1 METER FLANGED PEDESTAL**  
Spec Sheet DT 10.21

### ANCHOR BOLT ASSEMBLY

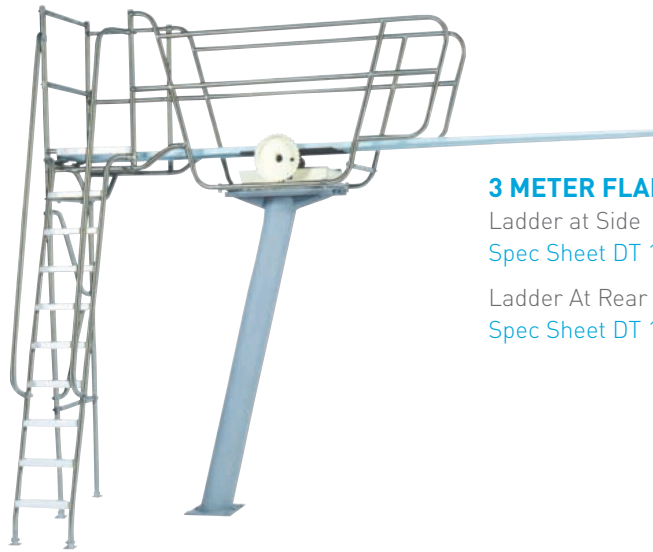
I.D. No. 12307  
Spec Sheet DA 10.31



WARNING: Diving equipment shown here should be used only on pools that conform to FINA, NCAA, NFHS and US Diving standards. Please refer to your local, municipal and state statutes, ordinances, rules and regulations which may vary.

## DURADAPT DIVING TOWERS

Made for Durafirm short stand (fulcrum and anchor/hinged assembly). Recommended only for competition pools and only for 16' Duraflex or Maxiflex boards. Ladder at side (as shown) or can be mounted at rear if specified. Utilizes 19" steps. Comes with flanged pedestal only. Guard rails and hand rails are welded and extend to pool edge. Durafirm fulcrum and anchor/hinged assembly are not included and must be ordered separately.



### 3 METER FLANGED PEDESTAL

Ladder at Side  
Spec Sheet DT 10.01S

Ladder At Rear  
Spec Sheet DT 10.01R



### 1 METER FLANGED PEDESTAL

Ladder at Side  
Spec Sheet DT 10.03S

Ladder At Rear  
Spec Sheet DT 10.03R

## SPORTFLYTE DIVING TOWERS

Not suitable for competition. The Economy model is designed for recreational use. Utilizes 19" steps. Fulcrum may be repositioned. Guard rails and hand rails are welded and extend to pool edge.

All towers provided with flanged pedestals unless otherwise specified.



### 3 METER FLANGED PEDESTAL

Spec Sheet DT 10.25



### SPORTFLYTE FULCRUM

Used with the Sportflyte Diving Tower  
I.D. No. 13554



### 1 METER FLANGED PEDESTAL

Spec Sheet DT 10.29

BOARD LENGTH				
Height Above Water	16'	14'	12'	10'
3m	13501	13502	N/A	N/A
1m	13511	13512	N/A	N/A
3/4 m	N/A	N/A	13517	N/A
1/2 m	N/A	N/A	N/A	13507

\* Specify Century or Paraflex board at time of order. Sportflyte Towers are not intended for use with Duraflex or Maxiflex boards.



WARNING: Diving equipment shown here should be used only on pools that conform to FINA, NCAA, NFHS and US Diving standards. Please refer to your local, municipal and state statutes, ordinances, rules and regulations which may vary.

## DIVING BOARDS

Paraflyte stands are designed to receive either 16' or 14' diving boards. A 16' diving board by 20" wide, with a 24" fulcrum range, is the only board acceptable for official, competitive diving. A 14' board may be used on a recreational diving stand when less spring is desired. All diving boards have an integral non-skid surface.

**DURAFLEX:** Acknowledged as one of the finest aluminum boards, the Duraflex can be found at leading competitive pools. It tapers from tip to fulcrum while maintaining the thicker section from fulcrum to butt end

**MAXIFLEX B:** A double tapered version of the Duraflex. This board tapers from tip to fulcrum maintaining a constant thickness through the fulcrum range, then thinning out toward the butt end. The double tapering offers livelier action. The top surface is perforated to reduce aerodynamic drag during flexing and rebound. Available in 16' length only.

**PARAFLEX:** A high-quality aluminum board for general commercial and institutional use. Uniform thickness throughout entire length.

**CENTURY (EUREKA):** The very best of the wood-fiberglass boards. The core has 26 laminations with complete fiberglass wrap on all sides and edges, with extra layers of fiberglass over the fulcrum area.

### ALUMINUM BOARDS

Spec Sheet DA 20.17

Board	I.D. No.
16' Duraflex	26101-1
14' Duraflex	26103-1
16' Maxiflex B	26107-1
16' Paraflex	26201-1
14' Paraflex	26202-1

### WOOD BOARDS

Spec Sheet DA 20.19

16' Century	26301-1
14' Century	26302-1

## Diving Tower Selection

Each diving tower identification number defines a complete tower. It must be selected to reflect the following choices:

**CONFIGURATION**—Each configuration covers a particular style of tower (ladder at rear, ladder at side, etc.), the height (3 meter or 1 meter) and the type and length of diving board to be used.

**GRADE**—Paraflyte towers are made in three different grades—Ultraflyte, Superflyte and Topflyte.

Your choices include:

- 1. Ultraflyte**—Premier grade. All tube is 1.90" O.D. x .145" wall T304 stainless steel.
- 2. Superflyte**—General purpose, middle grade. All tube is T304 stainless steel 1.90" O.D., with wall thicknesses of .145", .109", .065". The wall thickness of each member is dependent upon structural requirements.

**3. Topflyte**—Economy grade. All tube with the exception of the flexural members, are T304 stainless steel 1.90" O.D. x .065" wall. The members requiring additional strength are T304 stainless steel tube 1.90" O.D. x .145" wall.

**NOTE:** For Paraflyte Towers, the Deluxe Geared Adjustable Fulcrum is provided with all Ultraflyte and Superflyte models. The Economy Geared Adjustable Fulcrum is provided with the Topflyte models.

**Diving Board**— Although a diving board is not included, the tower is fabricated to accommodate the type and length board to be used. Fabrication and setting dimensions may vary dramatically among boards.

DIVING TOWER SELECTION BY DIVING BOARD STYLE AND CONFIGURATION							
Identification Numbers							
Grade	16' Duraflex	14' Duraflex	16' Maxiflex	16' Paraflex	14' Paraflex	16' Century	14' Century
<b>3 METER PARAFLYTE TOWER, LADDER AT REAR, FLANGED PEDESTAL</b>							
Ultraflyte	12009	12010	12011	12012	12013	12014	12015
Superflyte	12016	12017	12018	12019	12020	12021	12022
Topflyte	12023	12024	12025	12026	12027	12028	12029
<b>1 METER PARAFLYTE TOWER, LADDER AT REAR, FLANGED PEDESTAL</b>							
Ultraflyte	12093	12094	12095	12096	12097	12098	12099
Superflyte	12100	12101	12102	12103	12104	12105	12106
Topflyte	12107	12108	12109	12110	12111	12112	12113
<b>3 METER PARAFLYTE TOWER, LADDER AT SIDE, FLANGED PEDESTAL</b>							
Ultraflyte	12051	12052	12053	12054	12055	12056	12057
Superflyte	12058	12059	12060	12061	12062	12063	12064
Topflyte	12065	12066	12067	12068	12069	12070	12071
<b>1 METER PARAFLYTE TOWER, LADDER AT SIDE, FLANGED PEDESTAL</b>							
Ultraflyte	12135	12136	12137	12138	12139	12140	12141
Superflyte	12142	12143	12144	12145	12146	12147	12148
Topflyte	12149	12150	12151	12152	12153	12154	12155
<b>3 METER DURADAPT TOWER</b>							
Ultraflyte	12001		12001				
Superflyte	12002		12002				
<b>1 METER DURADAPT TOWER</b>							
Ultraflyte	12003		12003				
Superflyte	12004		12004				

## STURDEE STAND

Ideal for replacing existing or obsolete diving towers up to one meter. No pedestal required. For recreational, non-competitive facilities.

Anchors are included and are shipped with each tower. Anchors needed in advance for construction purposes should be ordered by identification numbers.

### HAND ADJUSTABLE FULCRUM FOR THE STURDEE STAND

The hand adjustable fulcrum is provided as an economical alternative for pools where a readily adjustable fulcrum is not required.

White and Chrome  
I.D. No. 12518HAF  
Spec Sheet DA 20.26



## STURDEE STAND

Sturdee Stand is complete with frames, rear rails with one or two mounting steps, four bronze anchor sockets (28102), two deluxe rear anchors (28201), four deluxe escutcheon plates (28301) and a hand adjustable fulcrum (12518HAF). Side and intermediate guard rails are also included. Steps are 26". Rear swivels are included for Duraflex (18401) and Maxiflex (18402) diving boards.

1-Step [Spec Sheet DS 20.50.1](#)

2-Step [Spec Sheet DS 20.50.2](#)



### STURDEE STAND SELECTOR CHART

Model	16' Duraflex	14' Duraflex	16' Maxiflex	16' Paraflex	14' Paraflex
Heavy Duty 1-Step	14101	14102	14103	14104	14105
Heavy Duty 2-Step	14108	14109	14110	14111	14112
Deluxe 1-Step	14115	14116	14117	14118	14119
Deluxe 2-Step	14122	14123	14124	14125	14126

Model	16' Century	14' Century	12' Board	10' Board
Heavy Duty 1-Step	14106	14107	14132	14142
Heavy Duty 2-Step	14113	14114	N/A	N/A
Deluxe 1-Step	14120	14121	14131	14141
Deluxe 2-Step	14127	14128	N/A	N/A

For assistance with diving tower selection, please contact us or your local Paragon Aquatics distributor.

## RAILS FOR TOWERS

Prior to 1993, industry standards did not require guard rails or hand rails. Since our products last much longer than this, we offer retrofit rails for your convenience. When ordering retrofit rails, please specify tower height (1- or 3-meter) and diving board manufacturer, model, and length.

### RETROFIT RAILS FOR TOWERS

#### LADDER HAND RAILS (pair):

**For 3-meter Paraflyte towers with ladder at rear:**

Ultraflyte I.D. No. 12401

Superflyte I.D. No. 12402

Topflyte I.D. No. 12403

#### FRONT GUARD RAILS (pair):

**For 1-meter or 3-meter Paraflyte towers with ladder at rear:**

Ultraflyte I.D. No. 12404

Superflyte I.D. No. 12405

Topflyte I.D. No. 12406

#### MIDDLE GUARD RAILS (pair-includes front and back rail):

**For 1-meter or 3-meter Paraflyte towers with ladder at rear:**

Ultraflyte I.D. No. 12407

Superflyte I.D. No. 12408

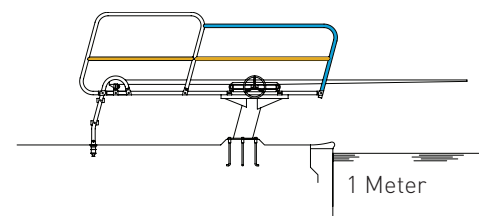
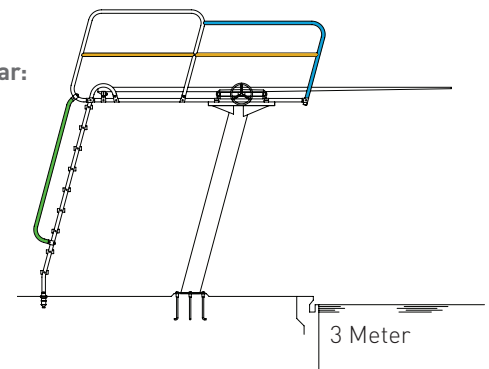
Topflyte I.D. No. 12409

**For 1-meter or 3-meter Paraflyte towers with ladder at side:**

Ultraflyte I.D. No. 12410

Superflyte I.D. No. 12411

Topflyte I.D. No. 12412



WARNING: Diving equipment shown here should be used only on pools that conform to FINA, NCAA, NFHS and US Diving standards. Please refer to your local, municipal and state statutes, ordinances, rules and regulations which may vary.

# DIVING TOWER AND STAND ACCESSORIES

## GEARED ADJUSTABLE FULCRUM

A readily adjustable fulcrum is required for competitive diving. A geared fulcrum permits divers to select the right amount of spring for his or her weight and for specific dives. Calibrated markings on the gear-holder make it easy for the diver to re-set the fulcrum where desired. Smooth, precise adjustments are easy due to the machined gears and freely turning sleeve on the axle. The adjusting wheel is operable by hand or foot for the full 24" fulcrum range. (Stops are provided to limit the range for recreational use.) Holders keep the rolling gears locked into the gear track and shields all gears from contact by divers and spectators.

The Deluxe model contains chrome-plated bronze and stainless steel components.

[26" Deluxe Geared](#) I.D. No. 24101

[30" Deluxe Geared](#) I.D. No. 24102

[Custom Deluxe Geared](#) I.D. No. 24105



The Economy model contains painted cast aluminum and stainless steel components.

[26" Economy](#) I.D. No. 24106

[30" Economy](#) I.D. No. 24107

[Custom Economy](#) I.D. No. 24110

[Spec Sheet DA 20.25](#)

## REAR SWIVELS FOR DIVING STANDS

Permit free movement of the butt end of the diving boards, thereby improving diver performance and increasing board life. Strongly recommended for competition and/or high performance diving boards.

[For Duraflex Diving Boards](#) I.D. No. 18401

[For Maxiflex Diving Boards](#) I.D. No. 18402

[For All Other Diving Boards](#) I.D. No. 18403

[Spec Sheet DA 20.21](#)



## PEDESTAL ANCHORS

The Anchor Bolt Assembly is included as a standard component with all Paraflyte towers. The Flanged Stub or the Cage Anchor can be substituted as the anchor for the flanged pedestal and should be noted in the specifications and/or purchase order and will be an added cost.

[Spec Sheet DA 10.31](#)



### ANCHOR BOLT ASSEMBLY

Anchor j-bolts are carbon steel 3/4" in diameter and eight are furnished. Each bolt is hooked at the bottom. A threaded bushing is provided at the top. A template is included for accurate setting for alignment with tower pedestal.

I.D. No. 12307

[Spec Sheet DA 10.31](#)

### FLANGED STUB

Consists of a 3/4" thick steel plate welded to a 10" diameter pipe, with blind, threaded bushings. Can be used if the tower is supported by a foundation pad on grade or in a framed beam if it is at least 18" deep.

[Carbon Steel](#) I.D. No. 12301

[Stainless Steel](#) I.D. No. 12303 (available upon request)

[Spec Sheet DA 10.31](#)



### CAGE ANCHOR

Must be used as the pedestal anchor when the tower is to be supported on a framed slab. Anchor consists of 3/4" thick steel plates, 3/4" threaded rods and threaded bushings, which can be made to suit a beam or slab of any thickness greater than 6".

[Carbon Steel](#) I.D. No. 12304

[Stainless Steel](#) I.D. No. 12306 (available upon request)

[Spec Sheet DA 10.31](#)

### REAR ANCHOR DELUXE

To anchor rear legs of all diving towers or stands or for any other application where there is an uplift on the leg being held. Two piece, heavy cast bronze construction. The upper flange is chrome-plated. Body has threaded hole at bottom to allow addition of 1/2" diameter bolt if required for additional bond.

I.D. No. 28201

[Spec Sheet AA 20.80](#)



**APPLIED LOADS:** It is the designer's responsibility to provide a supporting structure able to carry the applied loads for a tower supported on a framed beam or slab. The loads to be used for this purpose are:

#### THREE METER:

Front Anchor: A downward, vertical load of 4,500 lbs., plus a moment of 9,000 ft. lbs.

Rear Anchors: A combined upward, vertical load of 1,500 lbs.

#### ONE METER:

Front Anchor: A downward, vertical load of 4,200 lbs., plus a moment of 2,000 ft. lbs.

Rear Anchors: A combined upward, vertical load of 1,800 lbs.

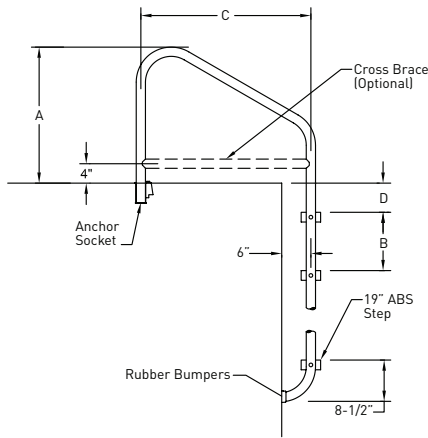


**WARNING:** Diving equipment shown here should be used only on pools that conform to FINA, NCAA, NFHS and US Diving standards. Please refer to your local, municipal and state statutes, ordinances, rules and regulations which may vary.

## VERTICAL LADDERS

The ladders shown on these pages offer the most convenient method of pool entry wherever stairs cannot be used. Each ladder comes standard with two frames and injection molded ABS-UV inhibited steps bolted between them. They can also be provided with stamped stainless steel steps upon request. All frames are made of corrosion resistant T304 stainless steel, 1.90" O.D. tube and provide ample length for a 4" anchor penetration. The bolts have contoured heads curved to fit the tubing of the frames. All ladder styles with frames resting against the pool wall have rubber bumpers to prevent damage to the wall. All vertical ladders use 19" vertical steps, are similar in appearance and vary only in:

- Wall thickness of tubing (.065", .109" or .145")
  - Width of frames from front to back (24", 29", or 35")
  - Number of steps (2 to 5)
  - Florida and Therapy styles
- Anchor sockets and escutcheon plates are not included with ladders and must be ordered separately.



LADDER REFERENCE DIMENSIONS WITH AND WITHOUT CROSS BRACE				
	A	B	C	D
Heavy Duty	28"	12"	24", 29", 35"	6"
Deluxe	28"	12"	24", 29"	6"
Florida	32"	12"	36"	4"

**HEAVY DUTY** (.109" or .145" wall thickness). For commercial and institutional use. Made only in thicker grades of stainless steel to withstand heavier usage.

Spec Sheet LD 30.01

**HEAVY DUTY WITH CROSS BRACE** Recommended for heavy duty commercial use at public and institutional pools. Reinforced with cross braces for extra rigidity and strength.

Spec Sheet LD 30.03

**FLORIDA STYLE** Offered in 3 grades (.065", .109", or .145" wall thickness). Extends extra high over deck to clear the 6" curb required on all Florida pools.

Spec Sheet LD 30.02

**FLORIDA STYLE** with Cross Brace Same as Florida Style but with cross braces for extra rigidity.

Spec Sheet LD 30.04

**DELUXE** (.065" wall thickness). Recommended for residential pools and light commercial use. Ladder frames go slightly deeper into water and extend slightly higher above deck compared to normal residential ladders. Recommended only for concrete or vinyl-lined pools.

Spec Sheet LD 30.01



HEAVY DUTY LADDERS							DELUXE LADDERS	
	24" Width		29" Width		35" Width		24" W	29" W
	.145"	.109"	.145"	.109"	.145"	.109"	.065"	.065"
2 Step	42201	42213	42205	42217	42209	42221	42301	42305
3 Step	42202	42214	42206	42218	42210	42222	42302	42306
4 Step	42203	42215	42207	42219	42211	42223	42303	42307
5 Step	42204	42216	42208	42220	42212	42224	42304	42308

CROSS BRACED LADDERS									
	24" Width			29" Width			35" Width		
	.145"	.109"	.065"	.145"	.109"	.065"	.145"	.109"	.065"
eSt 2	42101	42113	42125	42105	42117	42129	42109	42121	42133
eSt 3	42102	42114	42126	42106	42118	42130	42110	42122	42134
eSt 4	42103	42115	42127	42107	42119	42131	42111	42123	42135
eSt 5	42104	42116	42128	42108	42120	42132	42112	42124	42136

FLORIDA STYLE LADDERS				FLORIDA STYLE WITH CROSS BRACE		
	36" Width			36" Width		
	.145"	.109"	.065"	.145"	.109"	.065"
2 step	42519	42515	42511	42159	42155	42151
3 Step	42520	42516	42512	42160	42156	42152
4 Step	42521	42517	42513	42161	42157	42153
5 Step	42522	42518	42514	42162	42158	42154

### THERAPEUTIC LADDER (shown with Safety Wedge)

Designed for hospital and/or handicapped treatment pools. Sloping design, handrails and steps spaced 10" apart permit easy entry by the elderly or infirm. If dimension from deck to pool floor is:

- 18" to 27" use 2-step
- 28" to 37" use 3-step
- 38" to 47" use 4-step
- 48" to 57" use 5-step

2 step	42701	42705	42709
3 step	42702	42706	42710
4 step	42703	42707	42711
5 step	42704	42708	42712

Spec Sheet TA 30.21

**SAFETY WEDGE** The protective wedge prevents swimmers from lodging between pool wall and ladder. To ensure maximum effectiveness each wedge is custom fit to each facility. Made from white polypropylene with stainless steel mounting brackets for easy installation or retrofit.

I.D. No. 42725 (must be ordered separately)





# LADDER SOLUTIONS

## SLOPING AND VERTICAL STEPS

(include hardware)

Shipped in individual bags containing installation instructions and maintenance information. These are molded from UV inhibited ABS.

19" Vertical Step I.D. No. 44101

19" Sloping Step I.D. No. 44104

26" Vertical Step I.D. No. 44107

26" Sloping Step I.D. No. 44109



Sloping



Vertical

## STAINLESS STEEL STEP

19" Vertical Step (includes hardware)  
[4" Deep x 1.9" O.D. tubing]

I.D. No. 44102



# Coping and Waterfront Ladders



Uses 19" vertical steps



Uses 19" vertical steps

## COPING LADDER

For vertical wall pools where anchorage to pool structure is desired rather than to deck.

[Spec Sheet LD 30.07](#)

## PIER LADDER

For installation on fixed concrete piers where bottom support for ladder is not possible. Installed in anchor sockets cast into deck.

[Spec Sheet LD 30.11](#)

1.90" x .065" WALL THICKNESS

	Coping	Pier	Raft	Dock
2 step	42501	N/A	N/A	N/A
3 Step	42502	42601	42604	42607
4 Step	42503	42602	42605	42608
5 Step	N/A	42603	42606	42609



Uses 19" vertical steps



Uses 19" sloping steps

## DOCK LADDER

For installation on fixed wooden docks where bottom support for ladder is not possible. Fastened to decking with lag screws (included).

[Spec Sheet LD 30.13](#)

## RAFT LADDER

For installation on floating wooden rafts. Fastened with lag screws (included).

[Spec Sheet LD 30.12](#)

## RAIL SOLUTIONS

Choose from various styles of grab, deck and stair-mounted rails to fit your needs. The heavier the traffic, the heavier the tubing you should select. Custom designs are also available. Order separately: four anchor sockets and escutcheon plates for each pair of grab rails.

Rails are available in 1.90" x .065, 1.90" x .109, 1.90" x .145 O.D., T304/T304L or T316L stainless steel tubing, polished and buffed to a 320 grit finish. Manufactured custom rails are available in 1.50" x .120 O.D. Rectangular and square tubing can be provided upon request. Passivation is in compliance with ASTM 967-99.

Standard finish is T304/T304L stainless steel polished and buffed to a 320 grit finish. Other materials and finishes including T316 stainless steel and custom powder-coating is available by custom quotation.

If rails are not being installed directly into the concrete, anchor sockets are available to accommodate 1.90" and 1.50" rails. New 1.50" O.D. x 6" deep stainless steel anchors and escutcheons can be provided where specified.



## GRAB RAILS

Grab rails come in pairs. They are used to keep racing lanes free of obstructions when used in conjunction with built-in steps.

### STAINLESS STEEL RECESSED STEP

(15"W x 5"H x 5"D) sets flush in wall. Built-in step is grouted into a rough hole and has a sloped tread to promote drainage. Polished, corrosion-resistant, non-skid sand blasted bottom tread for added traction. Recommended for use in all climates.

I.D. No. 32104

Spec Sheet AA 20.73

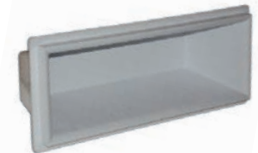


### FROST PROOF RECESSED STEP

(15-1/2"W x 5"H x 5-1/2"D) is heavy duty, foamed plastic without projecting lip. Textured bottom tread for added traction. Built-in step is grouted into a rough hole. Specifically recommended for use in freezing climates. White.

I.D. No. 32102

Spec Sheet AA 20.72



### LONG REACH PRETZEL

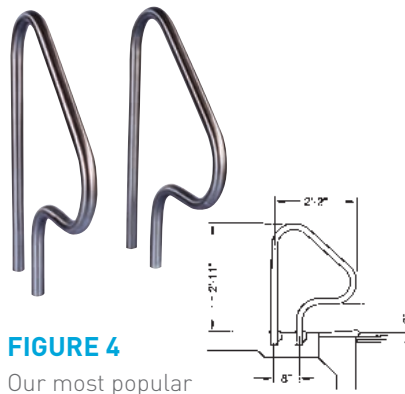
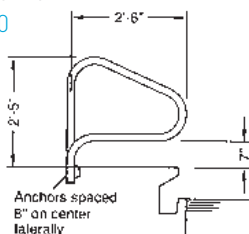
Similar to standard pretzel but recommended for installations with wide gutters. Legs are offset laterally to accommodate joints or obstructions in the pool deck.

.145" wall I.D. No. 30211

.109" wall I.D. No. 30212

.065" wall I.D. No. 30213

Spec Sheet GR 20.50



**FIGURE 4**

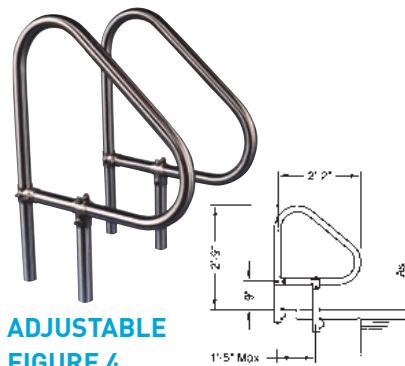
Our most popular model. For flat deck without unusual curbs or coping.

.145" wall I.D. No. 30101

.109" wall I.D. No. 30102

.065" wall I.D. No. 30103

Spec Sheet GR 20.41



**ADJUSTABLE FIGURE 4**

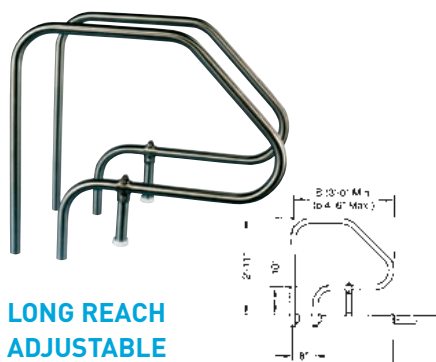
Front leg is adjustable in field so it can be set atop curbs or into gutters. Choose this model when unusual conditions will not permit use of Figure 4 style.

.145" wall I.D. No. 30301

.109" wall I.D. No. 30302

.065" wall I.D. No. 30303

Spec Sheet GR 20.45



**LONG REACH ADJUSTABLE**

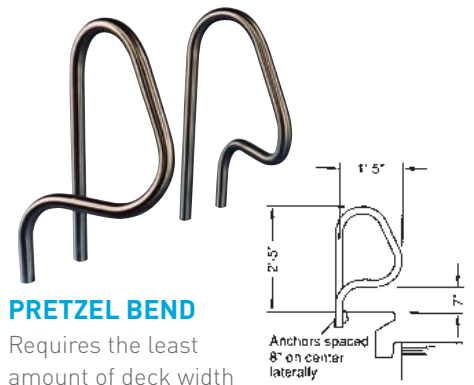
Available in sizes to fit extra-wide gutter systems in the increasingly popular "fast-pool" design concept. Specify "B" dimension. Custom fabricated to pool profile.

.145" wall I.D. No. 30320

.109" wall I.D. No. 30321

.065" wall I.D. No. 30322

Spec Sheet GR 20.49



**PRETZEL BEND**

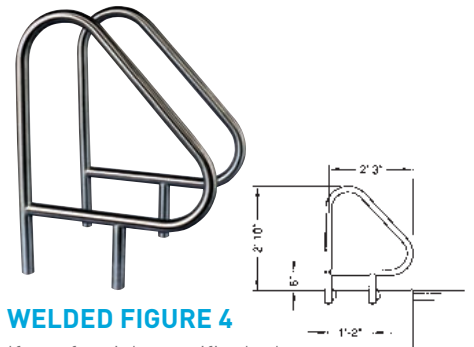
Requires the least amount of deck width with the narrowest profile as the legs are offset laterally instead of front to back. Can usually be mounted on pool wall rather than the deck slab.

.145" wall I.D. No. 30201

.109" wall I.D. No. 30202

.065" wall I.D. No. 30203

Spec Sheet GR 20.43



**WELDED FIGURE 4**

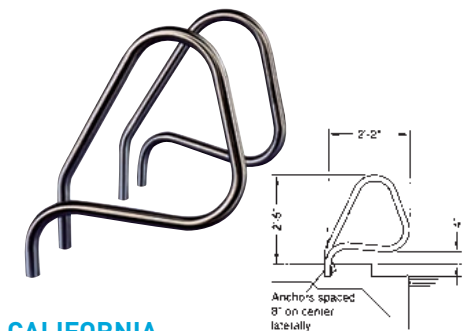
If you furnish specific deck and gutter dimensions we can supply our Adjustable Grab Rail styling as a fixed, fully-welded unit.

.145" wall I.D. No. 30511

.109" wall I.D. No. 30512

.065" wall I.D. No. 30513

Spec Sheet GR 20.46



**CALIFORNIA**

Made extra-wide to clear wide gutters or when deck-to-water distance is exceptionally great. Legs offset laterally to minimize deck width requirements. Front end dips downward for a shorter reach for low water level pools.

.145" wall I.D. No. 30401

.109" wall I.D. No. 30402

.065" wall I.D. No. 30403

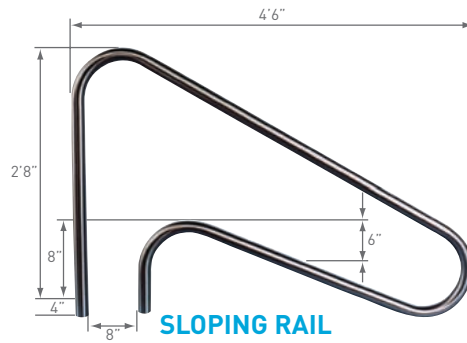
Spec Sheet GR 20.47

## DECK MOUNTED RAILS

Deck Mounted Rails are intended for use with vinyl or fiberglass pools having premolded steps. Anchorage of the rails to the deck is 8" on center and provides the stability needed without penetrating the molded steps.

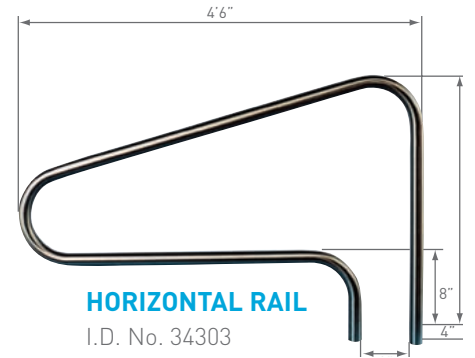
A variety of models are available to meet any pool or spa configuration.  
 1.90" O.D. x .065" wall thickness.  
 1.50" O.D. available upon request.

Heavier gauges available upon request.  
 All rails are 54" long and 32" high.



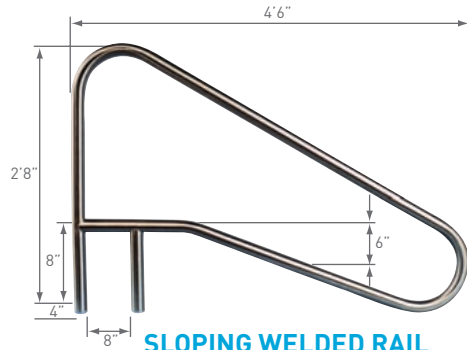
**SLOPING RAIL**

I.D. No. 34301  
 Spec Sheet SR 20.63



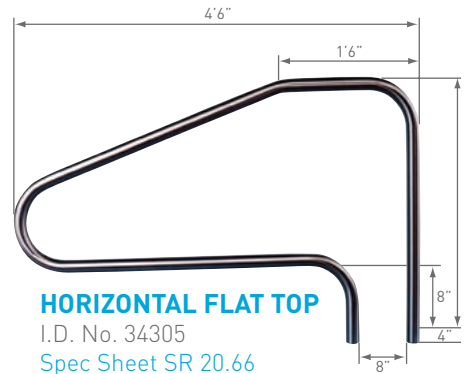
**HORIZONTAL RAIL**

I.D. No. 34303  
 Spec Sheet SR 20.65



**SLOPING WELDED RAIL**

I.D. No. 34307  
 Spec Sheet SR 20.64

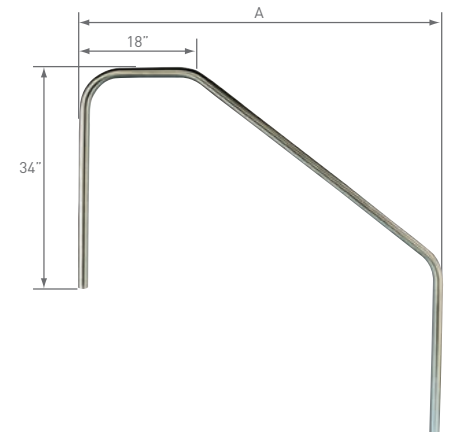
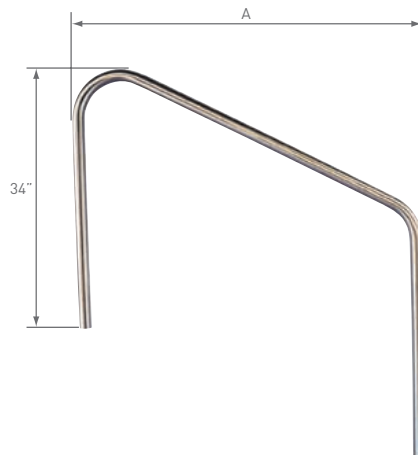


**HORIZONTAL FLAT TOP**

I.D. No. 34305  
 Spec Sheet SR 20.66

## STAIR MOUNTED RAILS

Stair Rails should be used on all pool entry steps as a necessary safety feature to allow safe entry and exit from the pool.



	48" wide	60" wide	72" wide
<b>1.90" O.D. x .065" wall thickness</b>			
2 bend	34101	34102	34103
<b>1.90" O.D. x .109" wall thickness.</b>			
2 bend	34104	34105	34106
<b>1.90" O.D. x .145" wall thickness</b>			
2 bend	34107	34108	34109
Spec Sheet SR 20.61			

	48" wide	60" wide	72" wide
<b>1.90" O.D. x .065" wall thickness</b>			
3 bend	34201	34202	34203
<b>1.90" O.D. x .109" wall thickness</b>			
3 bend	34204	34205	34206
<b>1.90" O.D. x .145" wall thickness</b>			
3 bend	34207	34208	34209
Spec Sheet SR 20.62			

## EXERCISE AND THERAPEUTIC RAILS

For exercise or therapy, we offer wall mounted and free standing solutions.



### TRANSFER RAILS

Stainless Steel Transfer Rails are available in 4 lengths...

**NEW**



All Transfer Rails come with Flanges and Hardware

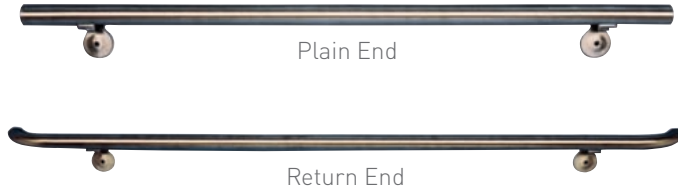
- 10" Transfer Rail I.D. No 34519
  - 12" Transfer Rail I.D. No 34520
  - 14" Transfer Rail I.D. No 34522
  - 16" Transfer Rail I.D. No 34524
- [Spec Sheet TA 20.66](#)



### EXERCISE RAILS

May be used as wall rails for additional stability for persons entering pools, showers, locker rooms, hallways and ramps. They may also help in aiding the therapist or client by providing wall-mounted support for warming and stretching exercises, as well as wall-mounted in the pool for hydrotherapy sessions. Mounted with lag bolt and shield to maintain a 1-1/2" clear opening between rail and wall. 1.90" O.D. x .065" wall thickness. Heavier gauges and O.D.'s available upon request.

[Spec Sheet TA 20.80](#)



Length (ft)	Plain Ends		Return Ends	
	2 Brackets	3 Brackets	2 Brackets	3 Brackets
5	34401			
6	34402		34411	
7	34403		34412	
8			34413	
9		34404		
10				34414
11		34405		
12				34415
13		34406		
14				34416

### LIGHTWEIGHT STAINLESS STEEL THERAPY PARALLEL BARS

Straddle bars are adjustable from a 28" to a full height of 40". Hand grips are comfortable to use. The supporting base is a solid one-piece welded construction which includes rubber pads to help stabilize the unit on a variety of floor surfaces so that it can be used in the therapy room, as well as in the pool.

Custom lengths can be ordered.

- 6' Length I.D. No 34510
  - 8' Length I.D. No. 34515
- [Spec Sheet TA 20.66](#)



### ADJUSTABLE HEIGHT TEACHING PLATFORM

Instructional platform constructed of T304 stainless steel with non-skid, cross-grooved sand textured deck. Multi-level permanent hand rails on three sides create a controlled teaching environment. Legs adjust to 5 different height positions. Platform places swimmer 18"-26" above pool floor.

60"x39" platform with slip resistant deck.

I.D. No. 34700

[Spec Sheet SR TP 10.01](#)



**NEW**

## CUSTOM-MADE RAILINGS

We will fabricate railings to your specifications whenever custom fabricated, corrosion-resistant, stainless steel railings are required. Can be used for any pool application including entry, ADA compliant, stairs, deck guards and diving towers. Design and engineering support are readily available.

Our railings are manufactured and verified to meet your project's unique specifications. All rails are factory welded and are shipped ready for installation requiring no field cutting, drilling or modifications.



ORLANDO, FLORIDA

We manufacture most rail goods in 1.90" O.D. stainless steel tubing, and have extensive experience manufacturing custom rails in 1.50" O.D. as well. If rails are not being installed directly into the concrete, anchor sockets are available to accommodate 1.90" and 1.50" rails.



PHOENIX, ARIZONA

## ANCHORS

### DELUXE STAINLESS STEEL ESCUTCHEON

With set screw to cover anchor sockets. Fit 1.90" O.D. tubing. The deluxe unit is heavy duty stainless steel casting with set screw.

1.90" SS

I.D. No. 28301SS

Spec Sheet AA 20.90SS

1.50" SS

I.D. No. 28303SS

Spec Sheet AA 20.93



### DELUXE BRONZE ESCUTCHEON

Covers anchor sockets. Fit 1.90" O.D. tubing. The deluxe unit is a chrome-plated bronze casting with set screw.

Escutcheon Plate, Deluxe

1.90" CPB

I.D. No. 2830

Spec Sheet AA 20.90



### STANDARD ESCUTCHEON

Made from a stainless steel stamping to fit 1.90" O.D. tubing.

Escutcheon Plate –  
Stainless Steel, Standard

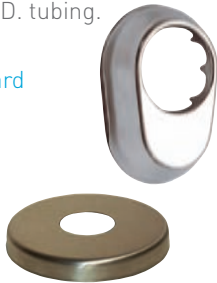
I.D. No. 28302

Spec Sheet AA 20.91

1.50" x 4-1/2" round

I.D. No. 28303

Spec Sheet AA 20.92



### STAINLESS STEEL 1.50" WEDGE ANCHOR

For anchoring 1.50" O.D. deck equipment where specified. Heavy duty cast T316 stainless steel, 6" deep with bronze wedge and stainless hardware.

I.D. No. 28105SS

Spec Sheet AA20.82A



### ANCHOR SOCKET, BRONZE

For anchoring all 1.90"/1.50" O.D. deck equipment (except rear legs of diving towers and stands, starting platforms, and stanchions). Cast bronze with locking bronze wedge and stainless steel bolt.

1.90" O.D. x 4" Deep

I.D. No. 28102

Spec Sheet AA 20.81

1.50" O.D. x 4" Deep

I.D. No. 28105

Spec Sheet AA 20.82



### ANCHOR SOCKET COVER

Sold Separately

I.D. No. 28104



### STAINLESS STEEL COMMERCIAL CUP ANCHORS

Anchored into pool wall for use with racing lanes and life lines. New cast stainless steel cup anchor with integral bar or triangular eye bolt for attaching multiple lanes.

#### CUP ANCHOR WITH INTEGRAL ANCHOR BAR

I.D. No. 70316SS

Spec Sheet AA 20.70



#### CUP ANCHOR WITH TRIANGULAR EYE BOLT

Eye Bolt is removable and replaceable

I.D. No. 70316SE

#### TRIANGULAR EYE BOLT

I.D. No. 70321

Spec Sheet AA 20.71



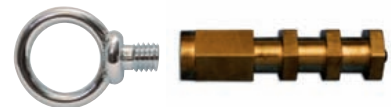
#### HEAVY DUTY EYE BOLT

I.D. No. 70317

#### THREADED WALL INSERT FOR HEAVY DUTY EYE BOLT

I.D. No. 70318

Spec Sheet AA 20.83



#### STANDARD EYE BOLT

I.D. No. 70319

#### THREADED WALL INSERT FOR STANDARD EYE BOLT

I.D. No. 70320

Spec Sheet AA 20.84

## UNDERWATER LIGHTS

This superb collection of underwater lights includes the ultra-thin, 500W Slimlite and the new Slimlite 5G LED light which uses less energy. All lights are bronze and copper construction with chrome-plated reflector shells and grille has protective cast bronze powder coating. The 110-volt lights come with a protective grille. Each light is rigidly inspected and submersion tested for water tightness and performance. All lights come with halogen bulbs.

All lights are UL listed, when used with our niches. Lights and niches are designed for use in fresh water only. Niches have a 3/4" or a 1" threaded connection for installation in concrete or vinyl pools, and should be ordered separately.

## UNDERWATER SPEAKERS

Sealed speaker for an underwater communication system between coach and swimmers, for providing background music for synchronized swimming and for scuba instruction. One speaker required for each 900 sq. ft. of pool surface area in deep water and one per 1200 sq. ft. in shallow area. Speakers are installed flush in niches within the pool wall and are covered by a protective grille. UL listed and recommended for use with Paragon niche.

### SLIMLITE 5G/500 WATT EQUIVALENT

Energy efficient Slimlite 5G LED light utilizes up to 86% less energy than comparable incandescent lights. This is a direct replacement for existing standard 500W Slimlite. The light has superior lens geometry and innovative reflector design combined to create a wider beam and more uniform light distribution.

30' cord I.D. No. 56400  
 50' cord I.D. No. 56401  
 100' cord I.D. No. 56402  
 150' cord I.D. No. 56403  
 200' cord I.D. No. 56404  
[Spec Sheet SS-UL 80.50](#)

NEW



#### NICHES FOR 500 WATT SLIMLIGHT

Model	Concrete	
	3/4"	1"
500w	56503	56504

### SLIMLITE/110V-500 WATT

10" diameter and only 3-1/2" deep, designed for fresh water, concrete pools. Installs in any wall without haunching the concrete, simplifying installation and construction. Dual bulb is wired parallel: one bulb stays lit even if the other burns out. Uses (2) 250-watt, double tube tungsten halogen bulbs with an average life rating of 2000 hours and 5000 initial lumens. All lights are UL listed. Various cord lengths available.

13' cord I.D. No. 56301  
 26' cord I.D. No. 56302 (standard)  
 50' cord I.D. No. 56303-50  
 75' cord I.D. No. 56303-75  
[Custom Cord Length I.D. No. 56303](#)

#### LIGHTS

[Spec Sheet UL 80.20](#)

#### NICHES

[Spec Sheet UL 80.50](#)

#### REPLACEMENT BULB

I.D. No. 56811

### UW30 UNDERWATER LOUD SPEAKER

A single 30-watt speaker adequately covers a 30' x 30' pool. Encased in blue high-impact ABS cover and sealed for underwater use to a depth of up to 10 feet. (Niche and grill sold separately).

50' cord I.D. No. 68101-1  
[Spec Sheet US 20.30](#)

#### NICHE FOR UW30 SPEAKER

Heavy-duty, cast bronze construction with 3/4" IPS threaded connection. Includes mounting hardware. Recommended mounting location is up to 4 feet below surface of the water and flush with the pool wall.

I.D. No. 68102

#### STAINLESS STEEL GRILLE

Mounts flush with pool wall.

I.D. No. 68103SS

[Spec Sheet US 80.07](#)





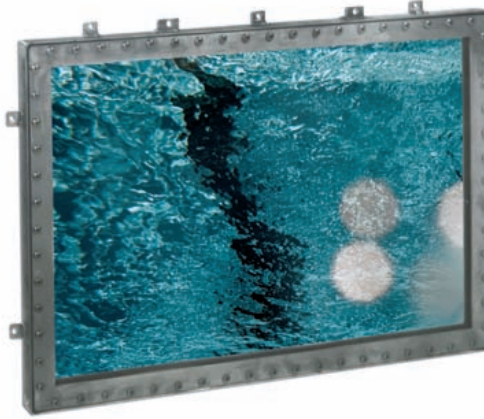
## UNDERWATER WINDOWS

Commonly used as an aid to swimming and diving instruction enabling coach to observe swimmers and divers in action. Permits photography and televising of all aquatic activities. Can be installed in any concrete pool – poured or gunite – and with any finish – plain, plastered or tiled. The windows are set flush in the wall with no projections into the pool. All windows are shipped factory sealed and pressure tested for water tightness.



## RECTANGULAR UNDERWATER OBSERVATION WINDOW

Glazing can be either a glass laminate consisting of three plies of 3/8" thick tempered glass in accordance with ANSI specification Z-97.1, ASTM C-1036-85 and C-1048-85, and 16 CFR 1201 Category II, with interfaces of polyvinyl Butyral .060" thick or a single thickness of 1-1/4" plexiglass. Frame is constructed entirely of stainless steel.



Note: If a window must be submerged at greater depths than listed, or a special size is needed, please contact our Engineering Department for recommendations.

PLEXIGLASS GLAZING		
Window Size (Clear Opening)	Max Depth of Water to Center of Window	I.D. No.
24" x 24"	16' - 6"	66201SS
24" x 36"	9' - 3"	66202SS
24" x 48"	6' - 6"	66203SS
24" x 60"	6' - 0"	66204SS
36" x 36"	4' - 9"	66205SS
36" x 48"	3' - 0"	66206SS

Spec Sheet UW 80.02

LAMINATED TEMPERED GLASS GLAZING		
Window Size (Clear Opening)	Max Depth of Water to Center of Window	I.D. No.
24" x 24"	14' - 6"	66101SS
24" x 36"	8' - 6"	66102SS
24" x 48"	7' - 0"	66103SS
24" x 60"	6' - 3"	66104SS
36" x 36"	6' - 6"	66105SS
36" x 48"	4' - 3"	66106SS
36" x 60"	3' - 6"	66107SS

Spec Sheet UW 80.01

## ROUND UNDERWATER OBSERVATION WINDOW

Recommended where multiple viewing areas are required in swimming pools and thermostat-age water tanks. Window has an 18" diameter viewing area and construction is of cast bronze. Entire frame is finished in chrome-colored powder coating. Glazing is either a glass laminate consisting of two plies of 3/8" thick tempered glass in accordance with ANSI Spec Z-97.1 with interfaces of polyvinyl Butyral .060" thick or a single thickness of 3/4" plexiglass.



18" DIAMETER ROUND WINDOWS (clear viewing area)		
Glazing Material	Max Depth of Water to Center of Window	I.D. No.
Laminated Glass	14' - 6"	66302 Spec Sheet UW 80.03
Plexiglass	8' - 9"	66301 Spec Sheet UW 80.04

## WATER POLO GOALS

Designed to meet the official rulings of FINA, NCAA, NFHS, and USA Water Polo.

Goal cages can be adjusted vertically to have the top of the cage at regulation height. Supporting legs fold flat against the cage for compact storage on the deck. The facia is a white, channel section made of glass reinforced polyester resin. Heavy duty frame is constructed of stainless steel tube. Goals are furnished as a pair, but backings/nets and anchors must be ordered separately. Each pair of cages requires four stanchion sockets and one pair of backings/nets.



### WATER POLO GOALS (pair)

Goal posts and crossbar are rigidly constructed and come with 3" white fiberglass facia facing the field of play. The inner sides of the goal posts are 118" apart.

I.D. No. 36104

[Spec Sheet WPG 20.71](#)

### NYLON BLACK TARRED NET (pair)

Water polo nets are constructed of 100% nylon netting with a 1-1/2" square mesh. The nets are treated for weather and water resistance.

I.D. No. 36201

[Spec Sheet WPG 20.71.1](#)

### SOLID BLUE BACKINGS (pair)

Backings are constructed of #80 navy blue vinyl. The outside perimeter of the product is sewn with a binding of the same material and has grommets on 10" centers on all outside edges.

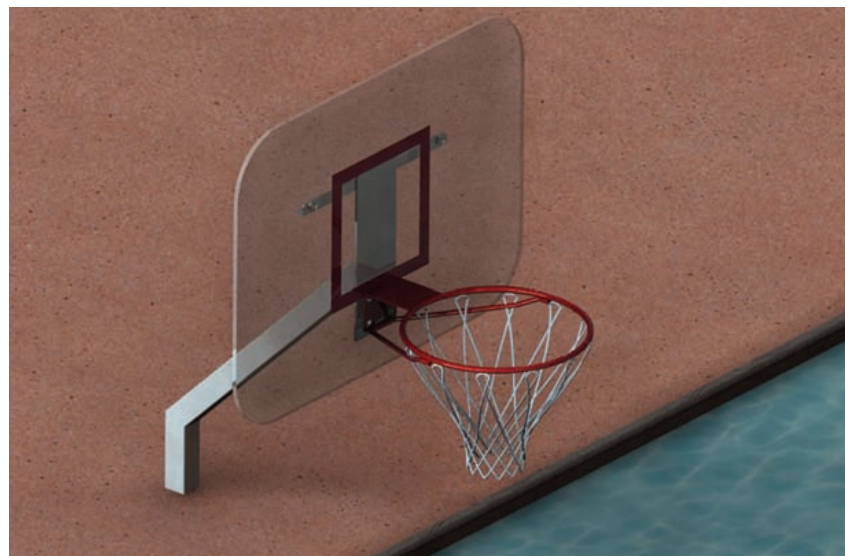
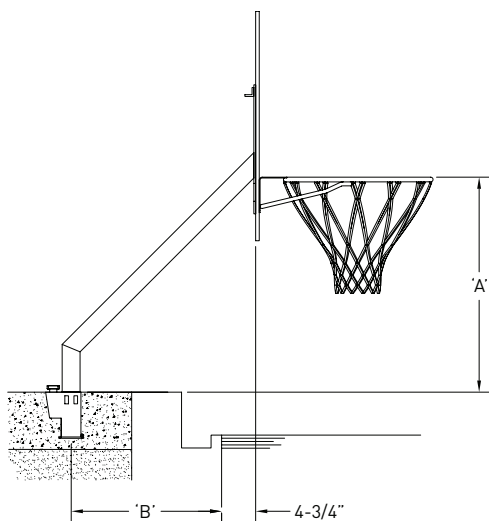
I.D. No. 36202

## BASKETBALL HOOPS

Our basketball hoops have a regulation-size, stainless steel frame designed to fit into Paragon's Competitor or Quickset anchors. The unit can be installed using new Dual-Wedge Anchors, included with the purchase of the hoop, or it can be ordered less anchors to be used in existing starting platform anchors. Easily removed from anchors without tools for storage or location change.

The backboard is constructed of 1/2" thick clear acrylic which helps eliminate blind spots in the pool. The hardware attaching the spring loaded, powder-coated rim and backboard to the frame is made from T304 stainless steel. Comes in 6 standard sizes or have it custom built to fit your pool configuration.

Order one of our 12 standard sizes or if you require a special configuration, provide the 'A' and 'B' dimensions to have one custom-built to fit your existing anchors and pool profile.



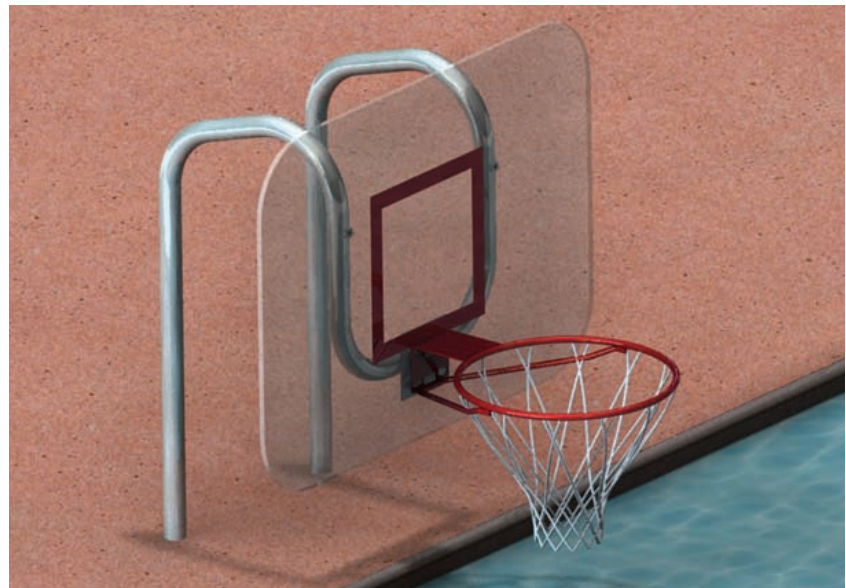
### QUICKSET® BASKETBALL HOOP

Stainless steel frame that fits into old and new style Quickset® anchors. Net is included. Order with or without anchors.

I.D. No. 27001-27006

(see chart below)

[Spec Sheet WBH 20.71](#)



### COMPETITOR BASKETBALL HOOP

Stainless steel frame that fits into old and new style 6" and 10" competitor anchors. Net is included. Order with or without anchors.

I.D. No. 27007-27012

(see chart below)

[Spec Sheet WBH 20.72](#)

QUICKSET STYLE			COMPETITOR STYLE		
'A'	'B'	I.D. No.	'A'	'B'	I.D. No.
30"	21"	27001	30"	18"	27007
36"	21"	27002	36"	18"	27008
42"	26"	27003	42"	24"	27009
48"	26"	27004	48"	24"	27010
54"	34-1/2"	27005	54"	36"	27011
60"	34-1/2"	27006	60"	36"	27012
**	**	27014	**	**	27015

## POOL ACCESSORIES

### HOSE REEL

The ideal solution for storing unsightly and cumbersome pool vacuum hose. Unique solid stainless steel construction ensures years of trouble-free use with minimal maintenance. Reels hold up to 100 feet of 2" diameter hose. Units are portable and designed to fit through a standard door. Vacuum hose stores conveniently.

I.D. No. 75151  
Spec Sheet PA 40.03



### LANE STORAGE REEL

Lightweight yet rugged stainless steel construction with zinc plated individual, double lock casters. Holds up to 650 feet of 4" lane lines and requires little maintenance. Ideal for commercial and institutional pools.

Standard Model holds up to 540 feet (164M) of 4" diameter lanes or 300 feet (91M) of 6" diameter lanes  
I.D. No. 75101

Standard Model with stainless steel casters  
I.D. No. 75101SS  
Spec Sheet PA 40.01

Large Capacity Model holds up to 720 feet (220M) of 4" diameter lanes or 400 feet (122M) of 6" diameter lanes  
I.D. No. 75111

Large Capacity Model with stainless steel casters  
I.D. No. 75111SS  
Spec Sheet PA 40.02

Replacement stainless steel casters  
I.D. No. 75103SS

Replacement zinc plated casters  
I.D. No. 75103



### LANE STORAGE REEL COVER

Heavy-duty construction in blue 16 oz. textured vinyl. All seams are double stitched with white polyester thread.

Standard Lane Reel Cover 48" x 67"  
I.D. No. 75133

Spec Sheet PA 40.04

### LARGE LANE REEL COVER 53" X 73"

I.D. No. 75133XL  
Spec Sheet PA 40.04L



### COMPETITOR® ANTI-TURBULENT RACING LANES

Lanes are required for competitive swimming to separate racing lanes and to dampen turbulence. Continuous 4" diameter flow-through design discs of alternating colors are strung on a vinyl-covered stainless cable. Complete with end hooks and tensioning devices. Standard colors are red, yellow, blue, green, orange, purple, white, maroon, and black.

Lane Length	I.D. No.
60 feet	76101-1
25 yard	76102-1
25 meter	76103-1
50 meter	76104-1
25 meter (w/disconnect)*	76105-1
50 meter (w/disconnect)**	76106-1
Storage Reel	76107-1
Take-up Reel	76118-1
Ratchet Wrench	76119-1
Spec Sheet AA 20.75	



\* 7' disconnect yields 25 yard lane.

\*\* Yields 2 equal 25 meter or 25 yard lanes.



## POOL ACCESSORIES

Backstroke Line



Finish Line



### PENNANT LINES

Triangular pennants of alternating colors spaced according to regulations. Pennants and line are of synthetic materials. Specify pool width when ordering. 20' extra will be provided at each end to reach to stanchions. Also specify colors desired. Standard colors are navy blue, Dartmouth green (finish line only), royal blue, orange, yellow, red, medium blue, kelly green, maroon, purple, black, and white. Custom lettering is available upon request.

### FINISH LINE 18" X 30" PENNANTS

I.D. No. 40101

### BACKSTROKE LINE 12" X 18" PENNANTS

I.D. No. 40102

Spec Sheet AA 20.69

## STANCHIONS

For supporting backstroke lines, finish lines, recall lines and splash curtains. They are made of stainless steel tube, capped at one end with a T304 stainless steel closure plate and U-hook. A sliding collar with eye bolt is optional and can include one or two eye bolts per collar.

### SLIDING COLLAR WITH EYE BOLT

I.D. No. 38301

Spec Sheet AA 20.89

Material	Stanchion Height	Stanchion Height
1.90" O.D.	4'-6" I.D. No.	8'-0" I.D. No.
.065" wall	38101	38102
.109" wall	38103	38104
.145" wall	38105	38106

Spec Sheet AA 20.89

Spec Sheet AA 20.89



### SQUARE STANCHION

Heavy duty square stanchion constructed from 2-1/2" square, .125 wall T304 material with welded end cap and 1.90" x .145 base. Use with 1.90" Round Anchor. 70% less deflection than standard stanchion. 40% less costly than Tagline Stanchion/Anchor.

NEW



### 8'0" SQUARE STANCHION POST

I.D. No. 38115

Spec No. AA 20.95

### 4'6" SQUARE STANCHION POST

I.D. No. 38116

Spec No. AA 20.67

### SQUARE SLIDING COLLAR WITH EYEBOLT

I.D. No. 38302

### TAGLINE STANCHION POST

Heavy duty tripod stanchion for supporting tag and pennant lines, curtains and any other heavy loads requiring extra support. Constructed from 1.90" x .145 T304 Stainless steel with a welded U-hook. The 3 legs will be easily mounted into a pre-fitted factory welded anchor.

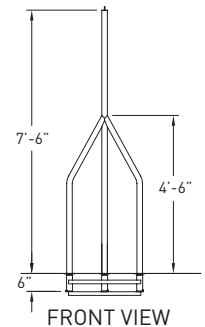
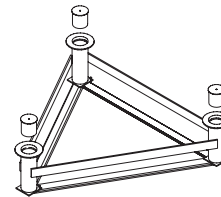
I.D. No. 38111

Spec No. AA 20.76

### TAGLINE STANCHION SOCKET

I.D. No. 38211

Spec No. AA 20.88



### STANCHION SOCKETS

For stanchions and water polo goals. Three styles are available. Cast bronze with threaded cap or tamper-proof cap, and cast 316 stainless steel with slip-fit cap.

### STANCHION SOCKET, BRONZE

(Threaded Cap)

I.D. No. 38201-TC

Spec Sheet AA 20.86

### KEY FOR BRONZE

THREADED CAP

I.D. No. 38202



### STANCHION SOCKET, CAST T316 STAINLESS STEEL

(Cap and body are electro-polished)

I.D. No. 38210

Spec Sheet AA 20.87

### KEY FOR SLIP FIT CAP

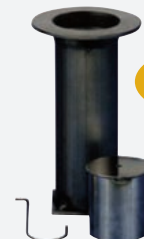
I.D. No. 23303

### TAMPER PROOF STANCHION SOCKET, BRONZE

New version replaces slip-fit cap Stanchion Socket. Requires a screwdriver to install and remove cap, eliminating keys and key replacements.

I.D. No. 38201

Spec Sheet AA 20.85



NEW



## MATERIALS USED IN THE MANUFACTURE OF PARAGON DECK EQUIPMENT

Our products are made of the finest materials. Our selection is based upon the best value without sacrificing quality. Our standard stainless steel is dual certified T304/T304L polished and buffed to a 320 grit finish, and all welds are electro-chemically passivated for maximum corrosion resistance. Passivation is in compliance with ASTM 967-99.

We also offer T316L stainless steel, as an upgrade, as well as electro-polished and powder coated finishes upon request. However, each has their advantages and disadvantages and none will eliminate the need for proper care and maintenance.

We have and will continue to accommodate our industry's requirements by offering products in all grades and sizes. The Americans with Disabilities Act (ADA) Guidelines for handrail diameters have been finalized to include outside diameters ranging from 1-1/4" to 2". This variety is offered because no one size is best for all applications.

We manufacture rail goods from 1.90" x .065 O.D., 1.90" x .109 O.D., 1.90" x .145 and 1.50" x .120 stainless steel tubing, and can accommodate the various ranges and requirements. Rectangular and square tubing is available upon request.

We are always available to provide you with complete and reliable information to make the right choice for your specific project.





## HOW TO KEEP YOUR STAINLESS STAIN-LESS

Your Paragon Commercial Deck Equipment has been fabricated of T304/T304L stainless steel and polished and buffed to a 320 grit finish and manufactured with a goal of high quality and longevity.

Stainless steel is produced to give many years of trouble-free service under normal use. This is the result of years of product development and improvement by the stainless mills. Although there are various publications available on the properties and care of stainless steel, consideration of the following points may help you attain the service life you expect.

Stainless steel is a corrosion resistant alloy, but it is not rustproof. The naturally occurring chromium oxide layer on the surface of the stainless steel provides the corrosion resistance. Proper care needs to be taken to maintain and preserve this layer. Under certain conditions this protective layer can be breached and may cause rust unless a program of preventative maintenance is instituted. Swimming pools, especially natatoriums, are an unfriendly environment for many materials. The halogen salts normally used for pool sterilization, chiefly chlorine and bromine are the most active agents that attack the chromium oxide layer on the stainless steel. The heat and humidity add to the activity of these attacking compounds.

Stainless steel, as the name implies, "stains" less than other steels but may show corrosion depending on the degree of surface oxidation in a particular environment. The prevention of contaminants from interfering with the chromium oxide layer formed on the surface of a stainless product will add to the in-service life of that product. Keep the stainless surface clean, and allow the layer of protective oxides to remain intact.

The simplest way to care for a stainless product is to rinse it with fresh water on a regular basis. However, we do recommend the Operating and Cleaning Instructions, which follow, to ensure many years of product life for your Stainless Steel equipment.

### WHAT NOT TO DO:

- Do not use coarse abrasives, like sandpaper or steel wool, on stainless. These may actually cause rusting.
- Do not clean with chlorine cleansers such as bleach.
- Do not leave stainless in contact with iron, steel, or other metals which cause contamination leading to rust or corrosion.
- Do not store stainless steel equipment in the near vicinity of chlorine.



Rusted Rail



Same rail after cleaning and finishing with car wax.

### WHAT TO DO:

- Clean stainless frequently with soap and fresh water (not pool water) and wipe dry with a clean cloth. Any cleaner safe for glass is usually safe for stainless.
- When rubbing is necessary to remove difficult stains, care should be taken to follow the polish lines. Rinse thoroughly after cleaning.
- Remove rust spots as soon as possible with a brass, silver, or chrome cleaner. Irreversible pitting will develop under rust that remains on stainless.
- We have found using a citrus based product such as Citrisurf 77 Plus or Citrisurf 2310 will eliminate rust.
- If stainless has become scratched or pitted due to corrosion, mechanical polishing will be necessary, we find 3M Scotchbrite works well.
- Prevent corrosion from recurring by using a soft, paste car wax. Each application should last up to six months.
- Routinely inspect equipment for signs of discoloration. Clean or replace contaminated parts.

# INNOVATIVE SOLUTIONS IN COMMERCIAL AND RECREATIONAL SWIMMING POOL DECK EQUIPMENT



## PERFORMANCE • LONGEVITY • INNOVATION • COLLABORATION

THANK YOU! We wouldn't be one of the industry leaders in competitive and recreational swimming pool equipment without you and we appreciate your business. We feel great pride in knowing that our quality products and service keep bringing you back.

"No problem" is what you will hear from our team whenever you call with a special request. We specialize in custom work and our highly qualified engineers, fabricators, and other

specialists will do whatever it takes to provide you with the equipment that you need for your facility. No job is too big or too small!

Total system solutions is what you can expect from Pentair Aquatic Systems.

The Paragon Awards are presented annually in association with the International Swimming Hall of Fame. They are bestowed upon those individuals who have demonstrated exceptional

efforts, dedication, motivation and discipline in each of the following categories:

- Competitive Swimming
- Competitive Diving
- Water Polo
- Synchronized Swimming
- Aquatic Safety
- Recreational



1351 ROUTE 55, LAGRANGEVILLE, NY 12540 845.463.7200 845.463.7291 fax WWW.PENTAIRCOMMERCIAL.COM

All Pentair trademarks and logos are owned by Pentair, Inc. Paragon™, and Track Start Plus™, Griff's Vision Guard Station™, and All Terrain Griff's Guard Station™ are registered trademarks of Pentair Water Pool and Spa, Inc. and/or its affiliated companies in the United States and/or other countries. Because we are continuously improving our products and services, Pentair reserves the right to change specifications without prior notice. Pentair is an equal opportunity employer.

10/15 Part #PCA-103 © 2015 Pentair Water Pool and Spa, Inc. All rights reserved.