



NLS-HR20-RF

Wireless 2D Barcode Scanner

User Guide

Disclaimer

© 2019 Fujian Newland Auto-ID Tech. Co., Ltd. All rights reserved.

Please read through the manual carefully before using the product and operate it according to the manual. It is advised that you should keep this manual for future reference.

Do not disassemble the device or remove the seal label from the device, doing so will void the product warranty provided by Fujian Newland Auto-ID Tech. Co., Ltd.

All pictures in this manual are for reference only and actual product may differ. Regarding to the product modification and update, Fujian Newland Auto-ID Tech. Co., Ltd. reserves the right to make changes to any software or hardware to improve reliability, function, or design at any time without notice. The information contained herein is subject to change without prior notice.

The products depicted in this manual may include software copyrighted by Fujian Newland Auto-ID Tech. Co., Ltd or third party. The user, corporation or individual, shall not duplicate, in whole or in part, distribute, modify, decompile, disassemble, decode, reverse engineer, rent, transfer or sublicense such software without prior written consent from the copyright holders.

This manual is copyrighted. No part of this publication may be reproduced, distributed or used in any form without written permission from Newland.

Fujian Newland Auto-ID Tech. Co., Ltd. reserves the right to make final interpretation of the statement above.

Fujian Newland Auto-ID Tech. Co., Ltd.

3F, Building A, No.1, Rujiang West Rd., Mawei, Fuzhou, Fujian, China 350015

<http://www.newlandaidc.com>

Revision History

Version	Description	Date
V1.0.0	Initial release.	January 3, 2019
V1.0.1	Added the ECI Output, Set Length Range for Code 128/ UCC/EAN-128/ AIM 128/ Interleaved 2 of 5/ Matrix 2 of 5/ Industrial 25/ Standard 25/ Code 39/ Codabar/ Code 93/ Code 11/ Plessey/ MSI-Plessey , and Febraban features in Chapter 5. Note: You must have firmware version V2.06B or later to use the new features above.	May 17, 2019
V1.0.2	Updated the description of entering the sleep mode in Chapter 1.	May 27, 2019

Table of Contents

Revision History	- 3 -
Chapter 1 Getting Started	1
Introduction	1
About This Guide	1
Unpacking	1
HR20 Scanner.....	2
Charging the Scanner Battery	2
Plug and Play	2
Power On, Sleep	3
Maintenance.....	3
Dimensions (unit: mm)	4
Scanning Instructions.....	5
Wireless Communications.....	5
Chapter 2 System Settings	6
Factory Defaults	6
Illumination	6
Aiming	7
Mute Mode	7
Good Read Beep Frequency/Duration	8
Scan Mode	9
Manual Mode	9
Continuous Mode.....	9
Query Product Serial Number	11
Chapter 3 Wireless Communications	12
Pairing the Scanner to a Dongle	12
Communication Modes	12
Transmit Stored Data	13
Clear Stored Data in Flash	13
Interface Selection	13
HID Keyboard Parameters	14
Keyboard Types	14
Standard Keyboard	18
Function Key Mapping	18

Emulate ALT+Keypad	19
Convert Case	19
Code Page	20
Character Encoding	22
Direct Character Transfer	22
Emulate Keypad with Leading Zero	23
Inter-Keystroke Delay	23
Chapter 4 Prefix & Suffix	24
Prefix Sequence	24
Custom Prefix	24
Enable/Disable Custom Prefix	24
Set Custom Prefix	25
AIM ID Prefix	25
Code ID Prefix	26
Custom Suffix	27
Enable/Disable Custom Suffix	27
Set Custom Suffix	27
Terminating Character Suffix	28
Chapter 5 Symbolologies	29
Global Settings	29
Video Reverse	29
ECI Output	30
Code 128	31
Enable/Disable Code 128	31
Set Length Range for Code 128	31
UCC/EAN-128 (GS1-128)	32
Enable/Disable UCC/EAN-128	32
Set Length Range for UCC/EAN-128	32
AIM 128	33
Enable/Disable AIM 128	33
Set Length Range for AIM 128	33
EAN-8	34
Enable/Disable EAN-8	34
Transmit Check Character	34
Add-On Code	35
EAN-8 Extension	36
EAN-13	36

Enable/Disable EAN-13	36
Transmit Check Character	36
Add-On Code	37
ISSN.....	38
ISBN.....	38
Enable/Disable ISBN.....	38
Set ISBN Format.....	38
UPC-E	39
Enable/Disable UPC-E.....	39
Transmit Check Character	39
Add-On Code	40
Transmit System Character.....	41
UPC-E Extension	41
UPC-A.....	42
Enable/Disable UPC-A.....	42
Transmit Check Character	42
Add-On Code	43
Transmit Preamble Character	44
Interleaved 2 of 5	45
Enable/Disable Interleaved 2 of 5	45
Check Character Verification.....	45
Set Length Range for Interleaved 2 of 5	46
Febraban.....	47
Disable/Enable Febraban.....	47
Expand Febraban.....	47
Transmit Delay per Character	47
Transmit Delay per 12 Characters	48
ITF-6	49
ITF-14	49
Matrix 2 of 5	50
Enable/Disable Matrix 2 of 5	50
Check Character Verification.....	50
Set Length Range for Matrix 2 of 5	51
Industrial 25.....	52
Enable/Disable Industrial 25	52
Check Character Verification.....	52
Set Length Range for Industrial 25	53
Standard 25.....	54

Enable/Disable Standard 25.....	54
Check Character Verification.....	54
Set Length Range for Standard 25.....	55
Code 39	56
Enable/Disable Code 39	56
Transmit Start/Stop Character	56
Enable/Disable Code 39 Full ASCII	56
Check Character Verification.....	57
Set Length Range for Code 39	58
Codabar	59
Enable/Disable Codabar	59
Check Character Verification.....	59
Transmit Start/Stop Character	60
Start/Stop Character Format	60
Set Length Range for Codabar	61
Code 93	62
Enable/Disable Code 93	62
Check Character Verification.....	62
Set Length Range for Code 93	63
Code 11	64
Enable/Disable Code 11.....	64
Check Character Verification.....	64
Set Length Range for Code 11.....	65
Plessey	66
Enable/Disable Plessey	66
Check Character Verification.....	66
Set Length Range for Plessey	67
MSI-Plessey	68
Enable/Disable MSI-Plessey.....	68
Check Character Verification.....	68
Transmit Check Character	69
Set Length Range for MSI-Plessey.....	69
RSS-14	70
Enable/Disable RSS-14	70
Transmit Application Identifier "01"	70
RSS-Limited.....	71
Enable/Disable RSS-Limited.....	71
Transmit Application Identifier "01"	71

RSS-Expand	72
Enable/Disable RSS-Expand	72
PDF417	72
Enable/Disable PDF417	72
Data Matrix	73
Enable/Disable Data Matrix	73
Rectangular Barcodes	73
Mirror Images	73
QR Code	74
Enable/Disable QR Code	74
Micro QR	74
Chinese Sensible Code	74
Appendix	75
Digit Barcodes	75
Factory Defaults Table	78
AIM ID Table	83
Code ID Table	86
ASCII Table	87

Chapter 1 Getting Started

Introduction

The NLS-HR20-RF wireless barcode scanner (hereinafter referred to as “**HR20 scanner**” or “**the scanner**”), armed with the world-leading Newland patented **UIMG**[®], a computerized image recognition system-on-chip, bring about a new era of 2D barcode scanner.

The HR20's 2D barcode decoder chip ingeniously blends **UIMG**[®] technology and advanced chip design & manufacturing, which significantly simplifies application design and delivers superior performance and solid reliability with low power consumption.

The HR20 supports all mainstream 1D and standard 2D barcode symbologies (e.g., PDF417, QR Code, Data Matrix and Chinese Sensible Code) as well as GS1-DataBar[™](RSS) (Limited/Stacked/Expanded versions). It can read barcodes on virtually any medium - paper, plastic card, mobile phones and LCD displays.

About This Guide

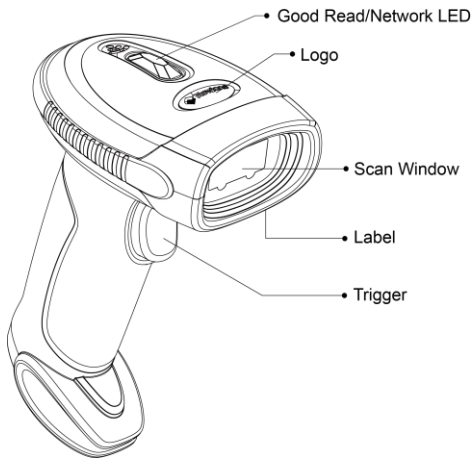
This guide provides programming instructions for the HR20. Users can configure the HR20 by scanning the programming barcodes included in this manual.

The HR20 has been properly configured for most applications and can be put into use without further configuration. Users may check the “Factory Defaults Table” in Appendix for reference. Throughout the manual, asterisks (**) indicate factory default values.

Unpacking

Open the package and take out HR20 scanner and its accessories. Check to make sure everything on the packing list is present and intact. If any contents are damaged or missing, please keep the original package and contact your dealer immediately for after-sales service.

HR20 Scanner



Good Read/Network LED:

Red LED On – Charging in progress.

Red LED Off – Fully charged.

Blue LED On - Connection established.

Blue LED flashes - Data transmission in progress.

Green LED flashes once - Good read in Real-time mode.

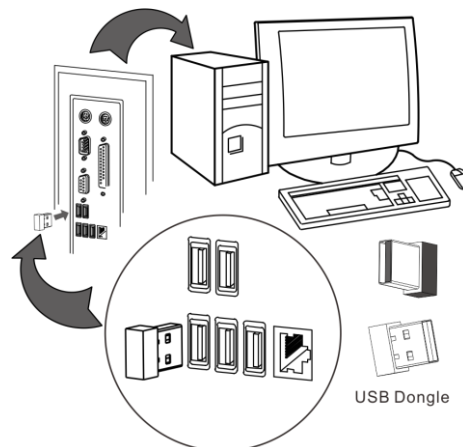
Blue LED flashes once - Good read in Inventory mode.

Charging the Scanner Battery

To charge the scanner battery, connect the scanner to your computer with the supplied cable. You can check the charge status with the Good Read/Network LED (red) on the scanner.

Plug and Play

The scanner that comes with a USB dongle is already paired with it and can work out of the box through plug and play. Only one scanner can be paired to one dongle at a time. If you want to pair your scanner to another dongle, follow the instructions described in the “Pairing the Scanner to a Dongle” section in Chapter 3.



Power On, Sleep

Power on the scanner

Plug the supplied dongle into the USB port of a host device, and pull the trigger on the scanner. Then the scanner will be turned on and the connection will be automatically established.

Enter the sleep mode

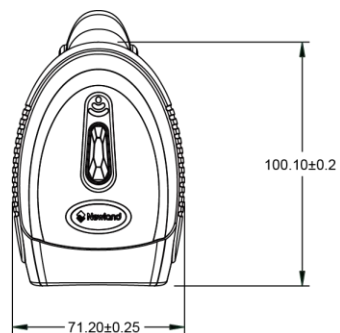
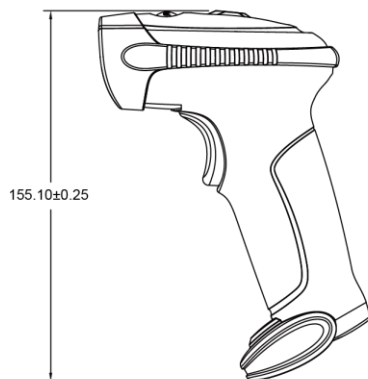
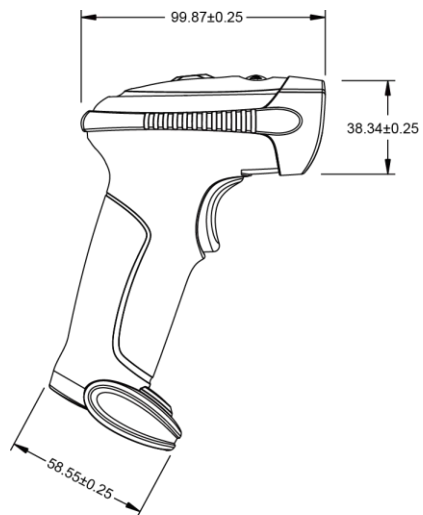
If no operation is performed on the scanner for 5 seconds, it will automatically enter the sleep state.

Maintenance

- ✧ The scan window should be kept clean.
- ✧ Do not scratch the scan window.
- ✧ Use soft brush to remove the stain from the scan window.
- ✧ Use the soft cloth to clean the window, such as eyeglass cleaning cloth.
- ✧ Do not spray any liquid on the scan window.
- ✧ Do not use any detergent to clean other parts of the device except for water.

Note: The warranty **DOES NOT** cover damages caused by inappropriate care and maintenance.

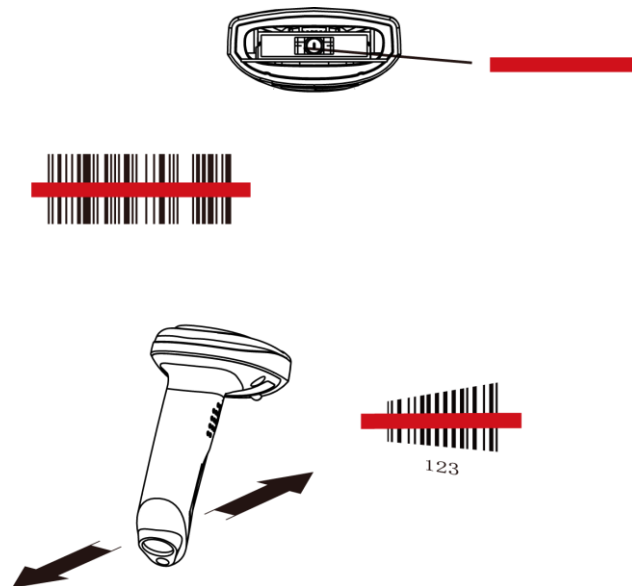
Dimensions (unit: mm)



Scanning Instructions

When the scanner is in the default scan mode, you can follow the steps below to scan a barcode:

1. Press and hold the trigger. Then the scanner will project a red aiming pattern.
2. Center the aiming pattern on the barcode, as shown in the figure below.
3. Release the trigger when the aiming beam goes off. If the barcode is decoded successfully, the scanner will emit a good decode beep and the decoded data will be sent to the host device.



Wireless Communications

The scanner can communicate with a remote host by pairing with a USB dongle that supports HID Keyboard and COM Port Emulation. For wireless communication parameters and dongle pairing instructions, see Chapter 3.

Chapter 2 System Settings

Factory Defaults

Scanning the following barcode can restore the scanner to the factory defaults.

You may need to reset all parameters to the factory defaults when:

1. Scanner is not properly configured so that it fails to decode barcodes;
2. you forget previous configuration and want to avoid its impact;
3. functions that are rarely used have been enabled for the time being.



Restore All Factory Defaults

Illumination

A couple of illumination options are provided to improve the lighting conditions during every image capture:

Normal (default): Illumination LED is turned on during image capture.

Always On: Illumination LED keeps on after the scanner is powered on.

Off: Illumination LED is off all the time.



Aiming

When scanning/capturing image, the scanner projects an aiming pattern which allows positioning the target barcode within its field of view and thus makes decoding easier.

Normal: The scanner projects an aiming pattern during barcode scanning/capture.

Always On: Aiming pattern is constantly on after the scanner is powered on.

Off: Aiming pattern is off all the time.



AMLENA1

**** Normal**



AMLENA0

Off



AMLENA2

Always On

Mute Mode

Scanning the **Enable Mute Mode** can turn off all notification beeps.



W400000

Enable Mute Mode



W400040

**** Disable Mute Mode**

Good Read Beep Frequency/Duration



WFF098D
Low Frequency



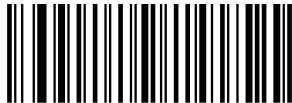
WFF0971
** Medium Frequency



WFF094B
High Frequency



WFF0A1F
40ms



WFF0A3E
** 80ms



WFF0A5D
120ms

Scan Mode

Manual Mode

Manual Mode (default): A trigger pull activates a decode session. The decode session continues until the barcode is decoded or the trigger is released.



Continuous Mode

Continuous Mode: The scanner automatically starts one decode session after another at specific intervals (i.e. timeout between decodes). The decode session continues until the barcode is decoded or the decode session timeout expires.

In the Continuous mode, a trigger pull can enable the scanner to work temporarily in the Manual mode and back to the Continuous mode in 30 seconds.



Decode Session Timeout sets the maximum time decode session continues during a scan attempt. It is programmable in 0.1s increments from 0.1s to 25.5s. The default timeout is 5.0s. To set the timeout, scan the **Decode Session Timeout** barcode, then the two numeric barcodes corresponding to the desired timeout in hexadecimal.



Decode Session Timeout

Example: Set the decode session timeout to 5.0s (50 in hex is 32)

1. Scan the **Decode Session Timeout** barcode.
2. Scan the numeric barcodes "3" and "2" from the "Digit Barcodes" section in Appendix.

Timeout between Decodes sets the timeout between decode sessions. When a decode session ends, next session will not happen until the timeout between decodes expires. It is programmable in 0.1s increments from 0s to 25.5s. The default timeout is 1.0s. To set the timeout, scan the **Timeout between Decodes** barcode, then the two numeric barcodes corresponding to the desired timeout in hexadecimal.



Timeout between Decodes

Example: Set the timeout between decodes to 5.0s (50 in hex is 32)

1. Scan the **Timeout between Decodes** barcode.
2. Scan the numeric barcodes "3" and "2" from the "Digit Barcodes" section in Appendix.

Query Product Serial Number

After scanning the barcode below, the serial number of the scanner will be sent to the host device.



WFFD982

Query Product Serial Number

Chapter 3 Wireless Communications

Pairing the Scanner to a Dongle

The scanner that comes with a USB dongle is already paired with it and can work out of the box through plug and play. You simply plug the dongle into the USB port of your computer, pull the trigger on the scanner, and the connection will be automatically established with a beep from the scanner. If the scanner within service range fails to connect to the dongle, you may re-establish pairing by following the steps below: unplug the dongle, scan the **Enter Pairing Mode** barcode and the **Pair** barcode with the scanner, and then plug the dongle into your computer.



WFFD9E1

Enter Pairing Mode



WFFD9E0

Pair

Communication Modes

Real-time Mode: The scanner attempts to transmit every barcode you scan. When you are out of service range, the scanned data will be lost.

Inventory Mode: Scanned data will be stored in the flash memory no matter whether you are in service range or not. You may send the stored data to the host by scanning the **Transmit Stored Data** barcode. **Do not change the interface before starting data transmission operation, otherwise all data previously stored in the flash memory will be lost.**



WFFD9E8

**** Real-time Mode**



WFFD9E9

Inventory Mode

Transmit Stored Data

You may scan the barcode below to send the stored data in the flash memory to the host.



Transmit Stored Data

Clear Stored Data in Flash

To clear stored data in flash, you need to scan the **Clear Stored Data** then the **Confirm Clear Operation** barcodes.



Clear Stored Data



Confirm Clear Operation

Interface Selection

The scanner can communicate with a remote host via a USB dongle that supports HID Keyboard and COM Port Emulation. You may select the desired interface by scanning the appropriate barcode below.



**** HID Keyboard**



COM Port Emulation

HID Keyboard Parameters

Characters can be represented by key values of a keyboard or by numeric representations in a code page. The former method should only be used when scanning barcodes containing single-byte characters.

Keyboard Types

If you want barcode data to be represented by key values of a keyboard, you may select the keyboard type by scanning the appropriate barcode below. This feature should not be used when barcodes contain multi-byte characters. The default setting is U.S. keyboard.



WFF6B00

**** U.S. (English)**



WFF6B01

Belgium



WFF6B02

Brazil



WFF6B03

Canada (French)



WFF6B04

Czechoslovakia



Finland (Swedish)



Germany/Austria



Hungary



Italy



Denmark



France



Greece



Israel (Hebrew)



Netherlands (Dutch)



Poland



Romania



Slovakia



Latin America/South America



Norway



Portugal



Russia



WFF6B16

Sweden



WFF6B18

Turkey_F



WFF6B1A

UK



WFF6B15

Spain



WFF6B17

Switzerland (German)



WFF6B19

Turkey_Q



WFF6B1B

Japan

Standard Keyboard

When **Standard Keyboard** is enabled, characters are sent as corresponding keys on the selected keyboard. This feature is only effective when a keyboard type is enabled.



**** Standard Keyboard**

Function Key Mapping

When **Function Key Mapping** is enabled, function characters (0x00 - 0x1F) are sent as ASCII sequences. This feature is only effective when a keyboard type is enabled.

1. CTRL Make
2. Press function key (Refer to the **ASCII Function Key Mapping Table** below)
3. CTRL Break



Function Key Mapping

ASCII Function Key Mapping Table

ASCII Value (HEX)	Function Key	ASCII Value (HEX)	Function Key
00	@	10	P
01	A	11	Q
02	B	12	R
03	C	13	S
04	D	14	T
05	E	15	U
06	F	16	V
07	G	17	W
08	H	18	X
09	I	19	Y
0A	J	1A	Z
0B	K	1B	[
0C	L	1C	\
0D	M	1D]
0E	N	1E	6
0F	O	1F	.

Emulate ALT+Keypad

When **Emulate ALT+Keypad** is enabled, any ASCII character (0x00 - 0xFF) is sent over the numeric keypad. This feature is only effective when a keyboard type is enabled.

1. ALT Make
2. Enter the number corresponding to the ASCII character on the keypad.
3. ALT Break



Emulate ALT+Keypad

Convert Case

You may scan the appropriate barcode below to convert all barcode data to your desired case. This feature is only effective when a keyboard type is enabled.



**** No Case Conversion**



Convert All to Upper Case



Convert All to Lower Case



Invert Upper and Lower Case Characters

Example: When **Invert Upper and Lower Case Characters** is enabled, barcode data "AbC" is transmitted as "aBc".

Code Page

If you want barcode data to be represented by numeric representations in a code page, you may select the code page by scanning the appropriate barcode below.



WFF6B80

Code Page 1252 (West European Latin)



WFF6B81

Code Page 1251 (Cyrillic)



WFF6B82

Code Page 1250 (Central and East European Latin)



WFF6B83

Code Page 1253 (Greek)



WFF6B84

Code Page 1254 (Turkish)



WFF6B85

Code Page 1255 (Hebrew)



Code Page 1256 (Arabic)



Code Page 1257 (Baltic)



Code Page 1258 (Vietnamese)



Code Page 936 (Simplified Chinese, GB2312, GBK)



Code Page 950 (Traditional Chinese, Big5)



Code Page 874 (Thai)



Code Page 932 (Japanese, Shift-JIS)

Character Encoding

You should select the character encoding with which the barcodes were created.

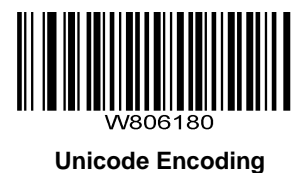


Direct Character Transfer

When a code page is enabled, any character is sent over the numeric keypad.

1. ALT Make
2. Enter the number corresponding to the code point in selected code page on the keypad.
3. ALT Break

Different host program may use different character encodings for handling incoming barcode data. For instance, Microsoft Office Word uses Unicode encoding and therefore you should enable **Unicode Encoding**, whereas Microsoft Office Excel or Notepad uses ANSI encoding and therefore you should enable **ANSI Encoding**.



Emulate Keypad with Leading Zero

You may turn this feature on to send character sequences sent over the numeric keypad as ISO characters which have a leading zero. For example, ASCII A transmits as “ALT MAKE” 0065 “ALT BREAK”. This feature is only applicable to Direct Character Transfer.



Inter-Keystroke Delay

This parameter specifies the delay between emulated keystrokes.



Chapter 4 Prefix & Suffix

A 1D barcode could contain digits, letters, symbols, etc. A 2D barcode could contain more data, such as Chinese characters and other multi-byte characters. However, in real applications, they do not and should not have all information we need, such as barcode type, data acquisition time and delimiter, in order to keep the barcodes short and flexible.

Prefix and suffix are how to fulfill the needs mentioned above. They can be added, removed and modified while the original barcode data remains intact.

Prefix Sequence



**** Code ID+ Custom +AIM ID**



Custom + Code ID + AIM ID

Custom Prefix

Enable/Disable Custom Prefix

If custom prefix is enabled, you are allowed to append to the data a user-defined prefix that cannot exceed 5 characters. For example, if the custom prefix is "AB" and the barcode data is "123", the Host will receive "AB123".



**** Disable Custom Prefix**



Enable Custom Prefix

Set Custom Prefix

To set a custom prefix, scan the **Set Custom Prefix** barcode then the numeric barcodes corresponding to the hexadecimal value of a desired prefix.

Note: A custom prefix cannot exceed 5 characters.



Set Custom Prefix

Example: Set the custom prefix to “CODE” (HEX: 0x43/0x4F/0x44/0x45):

1. Scan the **Set Custom Prefix** barcode.
2. Scan the numeric barcodes “4”, “3”, “4”, “F”, “4”, “4”, “4” and “5” from the “Digit Barcodes” section in Appendix.
3. Scan the **Enable Custom Prefix** barcode.

AIM ID Prefix

AIM (Automatic Identification Manufacturers) IDs define symbology identifiers and data carrier identifiers. For the details, see the “AIM ID Table” in Appendix. If AIM ID prefix is enabled, the scanner will add the symbology identifier before the scanned data after decoding.



Enable AIM ID Prefix



**** Disable AIM ID Prefix**

Code ID Prefix

Code ID can also be used to identify barcode type. For more information, refer to the “Code ID Table” in Appendix.



W800280

Enable Code ID Prefix



W800200

**** Disable Code ID Prefix**

You can choose to transmit original Code ID or visible Code ID by scanning the appropriate barcode below.



W018A00

**** Original Code ID**



W018A01

Visible Code ID

Custom Suffix

Enable/Disable Custom Suffix

If custom suffix is enabled, you are allowed to append to the data a user-defined suffix that cannot exceed 5 characters. For example, if the custom suffix is “AB” and the barcode data is “123”, the Host will receive “123AB”.



**** Disable Custom Suffix**



Enable Custom Suffix

Set Custom Suffix

To set a custom suffix, scan the **Set Custom Suffix** barcode then the numeric barcodes corresponding to the hexadecimal value of a desired suffix.

Note: A custom suffix cannot exceed 5 characters.



Set Custom Suffix

Example: Set the custom suffix to “CODE” (HEX: 0x43/0x4F/0x44/0x45):

1. Scan the **Set Custom Suffix** barcode.
2. Scan the numeric barcodes “4”, “3”, “4”, “F”, “4”, “4”, “4” and “5” from the “Digit Barcodes” section in Appendix.
3. Scan the **Enable Custom Suffix** barcode.

Terminating Character Suffix

A terminating character such as carriage return (CR) or carriage return/line feed pair (CRLF) or horizontal tab (TAB) can be used to mark the end of data.



W616000

**** Disable Terminating Character Suffix**



W616001

Append CR



W616021

Append CRLF



W616041

Append TAB

Chapter 5 Symbologies

Global Settings

Video Reverse

The **Video Reverse** feature only applies to 2D barcodes.

Regular barcode: Dark image on a bright background.

Inverse barcode: Bright image on a dark background.

The examples of regular barcode and inverse barcode are shown below.



Regular Barcode



Inverse Barcode

Video Reverse is used to allow the scanner to read barcodes that are inverted.

Video Reverse ON: Read both regular barcodes and inverse barcodes.

Video Reverse OFF (default): Read regular barcodes only.

The scanner shows a slight decrease in scanning speed when Video Reverse is ON.



W100210

Video Reverse ON



W100200

**** Video Reverse OFF**

ECI Output



W406100

**** Disable ECI Output**



W406140

Enable ECI Output

Code 128

Enable/Disable Code 128



W011601
**** Enable Code 128**



W011600
Disable Code 128

Set Length Range for Code 128

The scanner can be configured to only decode Code 128 barcodes with lengths that fall between (inclusive) the minimum and maximum lengths. To accomplish it, you need to set the minimum and maximum lengths.



A010000
Set the Minimum Length (Default: 1)



A010100
Set the Maximum Length (Default: 80)

Example: Set the scanner to decode Code 128 barcodes containing between 8 and 12 characters:

1. Scan the **Set the Minimum Length** barcode.
2. Scan the numeric barcodes "0" and "8" from the "Digit Barcodes" section in Appendix.
3. Scan the **Set the Maximum Length** barcode.
4. Scan the numeric barcodes "0" and "C" from the "Digit Barcodes" section in Appendix.

UCC/EAN-128 (GS1-128)

Enable/Disable UCC/EAN-128

When disabled, UCC/EAN-128 is identified as Code 128.



**** Enable UCC/EAN-128**



Disable UCC/EAN-128

Set Length Range for UCC/EAN-128

The scanner can be configured to only decode UCC/EAN-128 barcodes with lengths that fall between (inclusive) the minimum and maximum lengths. To accomplish it, you need to set the minimum and maximum lengths.



Set the Minimum Length (Default: 1)



Set the Maximum Length (Default: 80)

Example: Set the scanner to decode UCC/EAN-128 barcodes containing between 8 and 12 characters:

1. Scan the **Set the Minimum Length** barcode.
 2. Scan the numeric barcodes “0” and “8” from the “Digit Barcodes” section in Appendix.
 3. Scan the **Set the Maximum Length** barcode.
 4. Scan the numeric barcodes “0” and “C” from the “Digit Barcodes” section in Appendix.
-

AIM 128

Enable/Disable AIM 128

When disabled, AIM 128 is identified as Code 128.



**** Enable AIM 128**



Disable AIM 128

Set Length Range for AIM 128

The scanner can be configured to only decode AIM 128 barcodes with lengths that fall between (inclusive) the minimum and maximum lengths. To accomplish it, you need to set the minimum and maximum lengths.



Set the Minimum Length (Default: 1)



Set the Maximum Length (Default: 80)

Example: Set the scanner to decode AIM 128 barcodes containing between 8 and 12 characters:

1. Scan the **Set the Minimum Length** barcode.
2. Scan the numeric barcodes "0" and "8" from the "Digit Barcodes" section in Appendix.
3. Scan the **Set the Maximum Length** barcode.
4. Scan the numeric barcodes "0" and "C" from the "Digit Barcodes" section in Appendix.

EAN-8

Enable/Disable EAN-8



W011301
**** Enable EAN-8**



W011300
Disable EAN-8

Transmit Check Character

EAN-8 is 8 digits in length with the last one as its check character used to verify the integrity of the data.



W041304
**** Transmit EAN-8 Check Character**



W041300
Do Not Transmit EAN-8 Check Character

Add-On Code

An EAN-8 barcode can be augmented with a two-digit or five-digit add-on code to form a new one. In the examples below, the part surrounded by blue dotted line is an EAN-8 barcode while the part circled by red dotted line is add-on code.



Enable 2-Digit Add-On Code



**** Disable 2-Digit Add-On Code**



Enable 5-Digit Add-On Code



**** Disable 5-Digit Add-On Code**

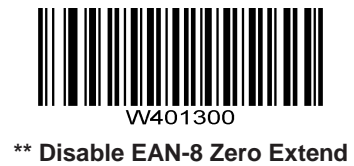
Enable 2-Digit Add-On Code/ Enable 5-Digit Add-On Code: The scanner decodes a mix of EAN-8 barcodes with and without 2-digit/5-digit add-on codes.

Disable 2-Digit Add-On Code/ Disable 5-Digit Add-On Code: The scanner decodes EAN-8 and ignores the add-on code when presented with an EAN-8 plus add-on barcode. It can also decode EAN-8 barcodes without add-on codes.

EAN-8 Extension

Disable EAN-8 Zero Extend: Transmit EAN-8 barcodes as is.

Enable EAN-8 Zero Extend: Add five leading zeros to decoded EAN-8 barcodes to extend to 13 digits.



EAN-13

Enable/Disable EAN-13



Transmit Check Character

EAN-13 is 13 digits in length with the last one as its check character used to verify the integrity of the data.



Add-On Code

An EAN-13 barcode can be augmented with a two-digit or five-digit add-on code to form a new one. In the examples below, the part surrounded by blue dotted line is an EAN-13 barcode while the part circled by red dotted line is add-on code.



Enable 2-Digit Add-On Code



**** Disable 2-Digit Add-On Code**



Enable 5-Digit Add-On Code



**** Disable 5-Digit Add-On Code**

Enable 2-Digit Add-On Code/ Enable 5-Digit Add-On Code: The scanner decodes a mix of EAN-13 barcodes with and without 2-digit/5-digit add-on codes.

Disable 2-Digit Add-On Code/ Disable 5-Digit Add-On Code: The scanner decodes EAN-13 and ignores the add-on code when presented with an EAN-13 plus add-on barcode. It can also decode EAN-13 barcodes without add-on codes.

ISSN

When disabled, ISSN is identified as EAN-13.



W401140
Enable ISSN



W401100
**** Disable ISSN**

ISBN

Enable/Disable ISBN

When disabled, ISBN is identified as EAN-13.



W011201
**** Enable ISBN**



W011200
Disable ISBN

Set ISBN Format



W041200
**** ISBN-13**



W041204
ISBN-10

UPC-E

Enable/Disable UPC-E



W011501
**** Enable UPC-E**



W011500
Disable UPC-E

Transmit Check Character

UPC-E is 8 digits in length with the last one as its check character used to verify the integrity of the data.



W041504
**** Transmit UPC-E Check Character**



W041500
Do Not Transmit UPC-E Check Character

Add-On Code

A UPC-E barcode can be augmented with a two-digit or five-digit add-on code to form a new one. In the examples below, the part surrounded by blue dotted line is a UPC-E barcode while the part circled by red dotted line is add-on code.



Enable 2-Digit Add-On Code



**** Disable 2-Digit Add-On Code**



Enable 5-Digit Add-On Code



**** Disable 5-Digit Add-On Code**

Enable 2-Digit Add-On Code/ Enable 5-Digit Add-On Code: The scanner decodes a mix of UPC-E barcodes with and without 2-digit/5-digit add-on codes.

Disable 2-Digit Add-On Code/ Disable 5-Digit Add-On Code: The scanner decodes UPC-E and ignores the add-on code when presented with a UPC-E plus add-on barcode. It can also decode UPC-E barcodes without add-on codes.

Transmit System Character

The first character of UPC-E barcode is the system character "0".



W081508

Transmit System Character "0"



W081500

**** Do Not Transmit System Character "0"**

UPC-E Extension

Disable UPC-E Extend: Transmit UPC-E barcodes as is.

Enable UPC-E Extend: Extend UPC-E barcodes to make them compatible in length to UPC-A.



W801580

Enable UPC-E Extend



W801500

**** Disable UPC-E Extend**

UPC-A

Enable/Disable UPC-A

When disabled, UPC-A is identified as EAN-13.



W011401
**** Enable UPC-A**



W011400
Disable UPC-A

Transmit Check Character

UPC-A is 13 digits in length with the last one as its check character used to verify the integrity of the data.



W041404
**** Transmit UPC-A Check Character**



W041400
Do Not Transmit UPC-A Check Character

Add-On Code

A UPC-A barcode can be augmented with a two-digit or five-digit add-on code to form a new one. In the examples below, the part surrounded by blue dotted line is a UPC-A barcode while the part circled by red dotted line is add-on code.



Enable 2-Digit Add-On Code



** Disable 2-Digit Add-On Code



Enable 5-Digit Add-On Code



** Disable 5-Digit Add-On Code

Enable 2-Digit Add-On Code/ Enable 5-Digit Add-On Code: The scanner decodes a mix of UPC-A barcodes with and without 2-digit/5-digit add-on codes.

Disable 2-Digit Add-On Code/ Disable 5-Digit Add-On Code: The scanner decodes UPC-A and ignores the add-on code when presented with a UPC-A plus add-on barcode. It can also decode UPC-A barcodes without add-on codes.

Transmit Preamble Character

Preamble characters (Country Code and System Character) can be transmitted as part of a UPC-A barcode. Select one of the following options for transmitting UPC-A preamble to the host device: transmit system character only or transmit system character and country code ("0" for USA).



System Character & Country Code



**** System Character**

Interleaved 2 of 5

Enable/Disable Interleaved 2 of 5



**** Enable Interleaved 2 of 5**



Disable Interleaved 2 of 5

Check Character Verification

A check character is optional for Interleaved 2 of 5 and can be added as the last character. It is a calculated value used to verify the integrity of the data.

Disable: The scanner transmits Interleaved 2 of 5 barcodes as is.

Do Not Transmit Check Character After Verification: The scanner checks the integrity of all Interleaved 2 of 5 barcodes to verify that the data complies with the check character algorithm. Barcodes passing the check will be transmitted except the last digit, whereas those failing it will not be transmitted.

Transmit Check Character After Verification: The scanner checks the integrity of all Interleaved 2 of 5 barcodes to verify that the data complies with the check character algorithm. Barcodes passing the check will be transmitted, whereas those failing it will not be transmitted.



**** Disable**



Do Not Transmit Check Character After Verification



Transmit Check Character After Verification

Set Length Range for Interleaved 2 of 5

The scanner can be configured to only decode Interleaved 2 of 5 barcodes with lengths that fall between (inclusive) the minimum and maximum lengths. To accomplish it, you need to set the minimum and maximum lengths.



Set the Minimum Length (Default: 6)



Set the Maximum Length (Default: 100)

Example: Set the scanner to decode Interleaved 2 of 5 barcodes containing between 8 and 12 characters:

1. Scan the **Set the Minimum Length** barcode.
2. Scan the numeric barcodes "0" and "8" from the "Digit Barcodes" section in Appendix.
3. Scan the **Set the Maximum Length** barcode.
4. Scan the numeric barcodes "0" and "C" from the "Digit Barcodes" section in Appendix.

Febraban

Disable/Enable Febraban



A012600

** Disable Febraban



A012601

Enable Febraban

Expand Febraban



A022600

** Do Not Expand Febraban



A022602

Expand Febraban

Transmit Delay per Character

Transmit Delay per Character applies to both expanded and unexpanded Febraban. This feature is available only when USB HID Keyboard is enabled. The transmit delay per character is 75ms and is NOT user programmable.



A042600

** Disable Transmit Delay per Character



A042604

Enable Transmit Delay per Character

Transmit Delay per 12 Characters

Transmit Delay per 12 Characters applies to expanded Febraban only. This feature is available only when USB HID Keyboard is enabled.



A082600

**** Disable Transmit Delay per 12 Characters**



A082608

Enable Transmit Delay per 12 Characters

To set this parameter, scan the **Set Transmit Delay per 12 Characters** barcode below and then a numeric barcode (0-7, which represent 0ms, 300ms, 400ms, 500ms, 600ms, 700ms, 800ms and 900ms, respectively). The default value is 500ms.



A012700

Set Transmit Delay per 12 Characters

Example: Set the transmit delay per 12 characters to 600ms:

1. Scan the **Set Transmit Delay per 12 Characters** barcode.
2. Scan the numeric barcodes “0” and “4” from the “Digit Barcodes” section in Appendix.

ITF-6

When disabled, ITF-6 is identified as Interleaved 2 of 5.



W011900

**** Disable ITF-6**



W051901

Enable ITF-6 But Do Not Transmit Check Character



W051905

Enable ITF-6 and Transmit Check Character

ITF-14

When disabled, ITF-14 is identified as Interleaved 2 of 5.



W201800

Disable ITF-14



WA01820

Enable ITF-14 But Do Not Transmit Check Character



WA018A0

**** Enable ITF-14 and Transmit Check Character**

Matrix 2 of 5

Enable/Disable Matrix 2 of 5



WO11A01
**** Enable Matrix 2 of 5**



WO11A00
Disable Matrix 2 of 5

Check Character Verification

A check character is optional for Matrix 2 of 5 and can be added as the last character. It is a calculated value used to verify the integrity of the data.

Disable: The scanner transmits Matrix 2 of 5 barcodes as is.

Do Not Transmit Check Character After Verification: The scanner checks the integrity of all Matrix 2 of 5 barcodes to verify that the data complies with the check character algorithm. Barcodes passing the check will be transmitted except the last digit, whereas those failing it will not be transmitted.

Transmit Check Character After Verification: The scanner checks the integrity of all Matrix 2 of 5 barcodes to verify that the data complies with the check character algorithm. Barcodes passing the check will be transmitted, whereas those failing it will not be transmitted.



WO41A00
**** Disable**



Do Not Transmit Check Character After Verification



Transmit Check Character After Verification

Set Length Range for Matrix 2 of 5

The scanner can be configured to only decode Matrix 2 of 5 barcodes with lengths that fall between (inclusive) the minimum and maximum lengths. To accomplish it, you need to set the minimum and maximum lengths.



Set the Minimum Length (Default: 6)



Set the Maximum Length (Default: 80)

Example: Set the scanner to decode Matrix 2 of 5 barcodes containing between 8 and 12 characters:

1. Scan the **Set the Minimum Length** barcode.
2. Scan the numeric barcodes "0" and "8" from the "Digit Barcodes" section in Appendix.
3. Scan the **Set the Maximum Length** barcode.
4. Scan the numeric barcodes "0" and "C" from the "Digit Barcodes" section in Appendix.

Industrial 25

Enable/Disable Industrial 25



W081908

**** Enable Industrial 25**



W081900

Disable Industrial 25

Check Character Verification

A check character is optional for Industrial 25 and can be added as the last character. It is a calculated value used to verify the integrity of the data.

Disable: The scanner transmits Industrial 25 barcodes as is.

Do Not Transmit Check Character After Verification: The scanner checks the integrity of all Industrial 25 barcodes to verify that the data complies with the check character algorithm. Barcodes passing the check will be transmitted except the last digit, whereas those failing it will not be transmitted.

Transmit Check Character After Verification: The scanner checks the integrity of all Industrial 25 barcodes to verify that the data complies with the check character algorithm. Barcodes passing the check will be transmitted, whereas those failing it will not be transmitted.



W201900

**** Disable**



W601920

Do Not Transmit Check Character After Verification



W601960

Transmit Check Character After Verification

Set Length Range for Industrial 25

The scanner can be configured to only decode Industrial 25 barcodes with lengths that fall between (inclusive) the minimum and maximum lengths. To accomplish it, you need to set the minimum and maximum lengths.



Set the Minimum Length (Default: 6)



Set the Maximum Length (Default: 80)

Example: Set the scanner to decode Industrial 25 barcodes containing between 8 and 12 characters:

1. Scan the **Set the Minimum Length** barcode.
2. Scan the numeric barcodes "0" and "8" from the "Digit Barcodes" section in Appendix.
3. Scan the **Set the Maximum Length** barcode.
4. Scan the numeric barcodes "0" and "C" from the "Digit Barcodes" section in Appendix.

Standard 25

Enable/Disable Standard 25



W101A10
**** Enable Standard 25**



W101A00
Disable Standard 25

Check Character Verification

A check character is optional for Standard 25 and can be added as the last character. It is a calculated value used to verify the integrity of the data.

Disable: The scanner transmits Standard 25 barcodes as is.

Do Not Transmit Check Character After Verification: The scanner checks the integrity of all Standard 25 barcodes to verify that the data complies with the check character algorithm. Barcodes passing the check will be transmitted except the last digit, whereas those failing it will not be transmitted.

Transmit Check Character After Verification: The scanner checks the integrity of all Standard 25 barcodes to verify that the data complies with the check character algorithm. Barcodes passing the check will be transmitted, whereas those failing it will not be transmitted.



W401A00
**** Disable**



Do Not Transmit Check Character After Verification



Transmit Check Character After Verification

Set Length Range for Standard 25

The scanner can be configured to only decode Standard 25 barcodes with lengths that fall between (inclusive) the minimum and maximum lengths. To accomplish it, you need to set the minimum and maximum lengths.



Set the Minimum Length (Default: 6)



Set the Maximum Length (Default: 80)

Example: Set the scanner to decode Standard 25 barcodes containing between 8 and 12 characters:

1. Scan the **Set the Minimum Length** barcode.
2. Scan the numeric barcodes “0” and “8” from the “Digit Barcodes” section in Appendix.
3. Scan the **Set the Maximum Length** barcode.
4. Scan the numeric barcodes “0” and “C” from the “Digit Barcodes” section in Appendix.

Code 39

Enable/Disable Code 39



W011C01

**** Enable Code 39**

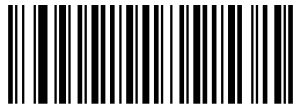


W011C00

Disable Code 39

Transmit Start/Stop Character

Code 39 uses an asterisk (*) for both the start and the stop characters. You can choose whether or not to transmit the start/stop characters by scanning the appropriate barcode below.



W041C04

Transmit Start/Stop Character



W041C00

**** Do Not Transmit Start/Stop Character**

Enable/Disable Code 39 Full ASCII

The scanner can be configured to identify all ASCII characters by scanning the appropriate barcode below.



W201C20

Enable Code 39 Full ASCII



W201C00

**** Disable Code 39 Full ASCII**

Check Character Verification

A check character is optional for Code 39 and can be added as the last character. It is a calculated value used to verify the integrity of the data.

Disable: The scanner transmits Code 39 barcodes as is.

Do Not Transmit Check Character After Verification: The scanner checks the integrity of all Code 39 barcodes to verify that the data complies with the check character algorithm. Barcodes passing the check will be transmitted except the last digit, whereas those failing it will not be transmitted.

Transmit Check Character After Verification: The scanner checks the integrity of all Code 39 barcodes to verify that the data complies with the check character algorithm. Barcodes passing the check will be transmitted, whereas those failing it will not be transmitted.



W081C00

** Disable



W181C08

Do Not Transmit Check Character After Verification



W181C18

Transmit Check Character After Verification

Set Length Range for Code 39

The scanner can be configured to only decode Code 39 barcodes with lengths that fall between (inclusive) the minimum and maximum lengths. To accomplish it, you need to set the minimum and maximum lengths.



Set the Minimum Length (Default: 4)



Set the Maximum Length (Default: 50)

Example: Set the scanner to decode Code 39 barcodes containing between 8 and 12 characters:

1. Scan the **Set the Minimum Length** barcode.
2. Scan the numeric barcodes "0" and "8" from the "Digit Barcodes" section in Appendix.
3. Scan the **Set the Maximum Length** barcode.
4. Scan the numeric barcodes "0" and "C" from the "Digit Barcodes" section in Appendix.

Codabar

Enable/Disable Codabar



W011E01

**** Enable Codabar**



W011E00

Disable Codabar

Check Character Verification

A check character is optional for Codabar and can be added as the last character. It is a calculated value used to verify the integrity of the data.

Disable: The scanner transmits Codabar barcodes as is.

Do Not Transmit Check Character After Verification: The scanner checks the integrity of all Codabar barcodes to verify that the data complies with the check character algorithm. Barcodes passing the check will be transmitted except the last digit, whereas those failing it will not be transmitted.

Transmit Check Character After Verification: The scanner checks the integrity of all Codabar barcodes to verify that the data complies with the check character algorithm. Barcodes passing the check will be transmitted, whereas those failing it will not be transmitted.



W101E00

**** Disable**



W301E10

Do Not Transmit Check Character After Verification



W301E30

Transmit Check Character After Verification

Transmit Start/Stop Character



**** Transmit Start/Stop Character**



Do Not Transmit Start/Stop Character

Start/Stop Character Format



**** ABCD/ABCD as the Start/Stop Character**



ABCD/TN*E as the Start/Stop Character



abcd/abcd as the Start/Stop Character



abcd/tn*e as the Start/Stop Character

Set Length Range for Codabar

The scanner can be configured to only decode Codabar barcodes with lengths that fall between (inclusive) the minimum and maximum lengths. To accomplish it, you need to set the minimum and maximum lengths.



Set the Minimum Length (Default: 4)



Set the Maximum Length (Default: 60)

Example: Set the scanner to decode Codabar barcodes containing between 8 and 12 characters:

1. Scan the **Set the Minimum Length** barcode.
2. Scan the numeric barcodes "0" and "8" from the "Digit Barcodes" section in Appendix.
3. Scan the **Set the Maximum Length** barcode.
4. Scan the numeric barcodes "0" and "C" from the "Digit Barcodes" section in Appendix.

Code 93

Enable/Disable Code 93



**** Enable Code 93**



Disable Code 93

Check Character Verification

Check characters are optional for Code 93 and can be added as the last two characters, which are calculated values used to verify the integrity of the data.

Disable: The scanner transmits Code 93 barcodes as is.

Do Not Transmit Check Character After Verification: The scanner checks the integrity of all Code 93 barcodes to verify that the data complies with the check character algorithm. Barcodes passing the checks will be transmitted except the last two digits, whereas those failing them will not be transmitted.

Transmit Check Character After Verification: The scanner checks the integrity of all Code 93 barcodes to verify that the data complies with the check character algorithm. Barcodes passing the checks will be transmitted, whereas those failing them will not be transmitted.



Disable



**** Do Not Transmit Check Character After Verification**



Transmit Check Character After Verification

Set Length Range for Code 93

The scanner can be configured to only decode Code 93 barcodes with lengths that fall between (inclusive) the minimum and maximum lengths. To accomplish it, you need to set the minimum and maximum lengths.



Set the Minimum Length (Default: 2)



Set the Maximum Length (Default: 80)

Example: Set the scanner to decode Code 93 barcodes containing between 8 and 12 characters:

1. Scan the **Set the Minimum Length** barcode.
2. Scan the numeric barcodes "0" and "8" from the "Digit Barcodes" section in Appendix.
3. Scan the **Set the Maximum Length** barcode.
4. Scan the numeric barcodes "0" and "C" from the "Digit Barcodes" section in Appendix.

Code 11

Enable/Disable Code 11



W011D01

** Enable Code 11



W011D00

Disable Code 11

Check Character Verification

Check characters are optional for Code 11 and can be added as the last one or two characters, which are calculated values used to verify the integrity of the data.

If the **Disable** option is enabled, the scanner transmits Code 11 barcodes as is.



W1C1D00

Disable



W1C1D04

** One Check Character, MOD11



W1C1D08

Two Check Characters, MOD11/MOD11



W1C1D0C

Two Check Characters, MOD11/MOD9



W1C1D10

One Check Character, MOD11 (Len <= 11)
Two Check Characters, MOD11/MOD11 (Len > 11)



W1C1D14

One Check Character, MOD11 (Len <= 11)
Two Check Characters, MOD11/MOD9 (Len > 11)



W201D20

** Transmit Check Character



W201D00

Do Not Transmit Check Character

Set Length Range for Code 11

The scanner can be configured to only decode Code 11 barcodes with lengths that fall between (inclusive) the minimum and maximum lengths. To accomplish it, you need to set the minimum and maximum lengths.



A012200

Set the Minimum Length (Default: 4)



A012300

Set the Maximum Length (Default: 80)

Example: Set the scanner to decode Code 11 barcodes containing between 8 and 12 characters:

1. Scan the **Set the Minimum Length** barcode.
 2. Scan the numeric barcodes "0" and "8" from the "Digit Barcodes" section in Appendix.
 3. Scan the **Set the Maximum Length** barcode.
 4. Scan the numeric barcodes "0" and "C" from the "Digit Barcodes" section in Appendix.
-

Plessey

Enable/Disable Plessey



W011F01

Enable Plessey



W011F00

**** Disable Plessey**

Check Character Verification

Check characters are optional for Plessey and can be added as the last two characters, which are calculated values used to verify the integrity of the data.

Disable: The scanner transmits Plessey barcodes as is.

Do Not Transmit Check Character After Verification: The scanner checks the integrity of all Plessey barcodes to verify that the data complies with the check character algorithm. Barcodes passing the checks will be transmitted except the last two digits, whereas those failing them will not be transmitted.

Transmit Check Character After Verification: The scanner checks the integrity of all Plessey barcodes to verify that the data complies with the check character algorithm. Barcodes passing the checks will be transmitted, whereas those failing them will not be transmitted.



W021F00

Disable



W061F02

**** Do Not Transmit Check Character After Verification**



W061F06

Transmit Check Character After Verification

Set Length Range for Plessey

The scanner can be configured to only decode Plessey barcodes with lengths that fall between (inclusive) the minimum and maximum lengths. To accomplish it, you need to set the minimum and maximum lengths.



Set the Minimum Length (Default: 4)



Set the Maximum Length (Default: 60)

Example: Set the scanner to decode Plessey barcodes containing between 8 and 12 characters:

1. Scan the **Set the Minimum Length** barcode.
2. Scan the numeric barcodes "0" and "8" from the "Digit Barcodes" section in Appendix.
3. Scan the **Set the Maximum Length** barcode.
4. Scan the numeric barcodes "0" and "C" from the "Digit Barcodes" section in Appendix.

MSI-Plessey

Enable/Disable MSI-Plessey



W081F08

**** Enable MSI-Plessey**



W081F00

Disable MSI-Plessey

Check Character Verification

Check characters are optional for MSI-Plessey and can be added as the last one or two characters, which are calculated values used to verify the integrity of the data.

If the **Disable** option is enabled, the scanner transmits MSI-Plessey barcodes as is.



W301F00

Disable



W301F10

**** One Check Character, MOD10**



W301F20

Two Check Characters, MOD10/MOD10



W301F30

Two Check Characters, MOD10/MOD11

Transmit Check Character



**** Transmit Check Character**



Do Not Transmit Check Character

Set Length Range for MSI-Plessey

The scanner can be configured to only decode MSI-Plessey barcodes with lengths that fall between (inclusive) the minimum and maximum lengths. To accomplish it, you need to set the minimum and maximum lengths.



Set the Minimum Length (Default: 4)



Set the Maximum Length (Default: 60)

Example: Set the scanner to decode MSI-Plessey barcodes containing between 8 and 12 characters:

1. Scan the **Set the Minimum Length** barcode.
2. Scan the numeric barcodes "0" and "8" from the "Digit Barcodes" section in Appendix.
3. Scan the **Set the Maximum Length** barcode.
4. Scan the numeric barcodes "0" and "C" from the "Digit Barcodes" section in Appendix.

RSS-14

Enable/Disable RSS-14



W011B01

**** Enable RSS-14**



W011B00

Disable RSS-14

Transmit Application Identifier "01"



W041B04

**** Transmit Application Identifier "01"**



W041B00

Do Not Transmit Application Identifier "01"

RSS-Limited

Enable/Disable RSS-Limited



W081B08

** Enable RSS-Limited



W081B00

Disable RSS-Limited

Transmit Application Identifier "01"



W201B20

** Transmit Application Identifier "01"



W201B00

Do Not Transmit Application Identifier "01"

RSS-Expand

Enable/Disable RSS-Expand



W401B40

** Enable RSS-Expand



W401B00

Disable RSS-Expand

PDF417

Enable/Disable PDF417



W010C01

** Enable PDF417



W010C00

Disable PDF417

Data Matrix

Enable/Disable Data Matrix



W080C08

** Enable Data Matrix



W080C00

Disable Data Matrix

Rectangular Barcodes



W034B03

** Decode Rectangular Barcodes



W034B00

Do Not Decode Rectangular Barcodes

Mirror Images



W0C4A0C

Decode Mirrored DM



W0C4A00

** Do Not Decode Mirrored DM

QR Code

Enable/Disable QR Code



W800D80

**** Enable QR Code**



W800D00

Disable QR Code

Micro QR



W049904

Enable Micro QR



W049900

**** Disable Micro QR**

Chinese Sensible Code



W01C001

Enable Chinese Sensible Code



W01C000

**** Disable Chinese Sensible Code**

Appendix

Digit Barcodes

0 - 5



D000000

0



D000001

1



D000002

2



D000003

3



D000004

4



D000005

5

6 - 9



D000006

6



D000007

7



D000008

8



D000009

9

A - F



D00000A

A



D00000B

B



D00000C

C



D00000D

D



D00000E

E



D00000F

F

Factory Defaults Table

Parameter	Factory Default	Remark
System Settings		
Illumination	Normal	
Aiming	Normal	
Mute Mode	Disabled	
Good Read Beep Frequency	Medium	
Good Read Beep Duration	80ms	
Scan Mode	Manual Mode	
Decode Session Timeout	3.0s	0.1-25.5s
Timeout between Decodes	1.0s	0-25.5s
Wireless Communications		
Communication Mode	Real-time Mode	
Interface Selection	HID Keyboard	
Keyboard Type	U.S. (English)	HID Keyboard Parameter
Standard Keyboard	Enabled	HID Keyboard Parameter
Convert Case	No Case Conversion	HID Keyboard Parameter
Code Page		
Character Encoding	Code Page	HID Keyboard Parameter
Direct Character Transfer	ANSI Encoding	HID Keyboard Parameter
Emulate Keypad with Leading Zero	On	HID Keyboard Parameter
Inter-Keystroke Delay	No Delay	HID Keyboard Parameter
Prefix & Suffix		
Prefix Sequence	Code ID+ Custom +AIM ID	
Custom Prefix	Disabled	
AIM ID Prefix	Disabled	
Code ID Prefix	Disabled	
Code ID Type	Original Code ID	
Custom Suffix	Disabled	
Terminating Character Suffix	Disabled	
Symbologies		
Global Settings		
Video Reverse	Disabled	Applicable to 2D symbologies.

ECI Output	Disabled	
Code 128		
Code 128	Enabled	
Maximum Length	80	
Minimum Length	1	
UCC/EAN-128 (GS1-128)		
UCC/EAN-128	Enabled	
Maximum Length	80	
Minimum Length	1	
AIM 128		
AIM 128	Enabled	
Maximum Length	80	
Minimum Length	1	
EAN-8		
EAN-8	Enabled	
Check Character	Transmit	
2-Digit Add-On Code	Disabled	
5-Digit Add-On Code	Disabled	
Extend to EAN-13	Disabled	
EAN-13		
EAN-13	Enabled	
Check Character	Transmit	
2-Digit Add-On Code	Disabled	
5-Digit Add-On Code	Disabled	
ISSN		
ISSN	Disabled	
ISBN		
ISBN	Enabled	
Set ISBN Format	ISBN-13	
UPC-E		
UPC-E	Enabled	
Check Character	Transmit	
2-Digit Add-On Code	Disabled	
5-Digit Add-On Code	Disabled	
System Character "0"	Do not transmit	

Extend to UPC-A	Disabled	
UPC-A		
UPC-A	Enabled	
Check Character	Transmit	
2-Digit Add-On Code	Disabled	
5-Digit Add-On Code	Disabled	
Transmit Preamble Character	System Character	
Interleaved 2 of 5		
Interleaved 2 of 5	Enabled	
Check Character Verification	Disabled	
Maximum Length	100	
Minimum Length	6	No less than 1
Febraban		
Febraban	Disabled	
Expand Febraban	Do not expand	
Transmit Delay per Character	Disabled, 75ms	
Transmit Delay per 12 Characters	Disabled, 500ms	
ITF-6		
ITF-6	Disabled	
ITF-14		
ITF-14	Enabled	
Check Character	Transmit	
Matrix 2 of 5		
Matrix 2 of 5	Enabled	
Check Character Verification	Disabled	
Maximum Length	80	
Minimum Length	6	No less than 1
Industrial 25		
Industrial 25	Enabled	
Check Character Verification	Disabled	
Maximum Length	80	
Minimum Length	6	No less than 1
Standard 25		
Standard 25	Enabled	
Check Character Verification	Disabled	

Maximum Length	80	
Minimum Length	6	No less than 1
Code 39		
Code 39	Enabled	
Check Character Verification	Disabled	
Start/Stop Character	Do not transmit	
Code 39 Full ASCII	Disabled	
Maximum Length	50	
Minimum Length	4	No less than 1
Codabar		
Codabar	Enabled	
Check Character Verification	Disabled	
Start/Stop Character	Transmit	
	ABCD/ABCD	
Maximum Length	60	
Minimum Length	4	No less than 1
Code 93		
Code 93	Enabled	
Check Character Verification	Do Not Transmit Check Character After Verification	
Maximum Length	80	
Minimum Length	2	No less than 1
Code 11		
Code 11	Enabled	
Check Character Verification	One Check Character, MOD11	
Check Character	Transmit	
Maximum Length	80	
Minimum Length	4	No less than 1
Plessey		
Plessey	Disabled	
Check Character Verification	Do Not Transmit Check Character After Verification	
Maximum Length	60	
Minimum Length	4	No less than 1
MSI-Plessey		
MSI-Plessey	Enabled	
Check Character Verification	One Check Character, MOD10	

Check Character	Transmit	
Maximum Length	60	
Minimum Length	4	No less than 1
RSS-14		
RSS-14	Enabled	
AI (Application Identifier)	Transmit	
RSS-Limited		
RSS-Limited	Enabled	
AI (Application Identifier)	Transmit	
RSS-Expand		
RSS-Expand	Enabled	
PDF417		
PDF417	Enabled	
Data Matrix		
Data Matrix	Enabled	
Rectangular Barcodes	Enabled	
Mirror Images	Disabled	
QR Code		
QR Code	Enabled	
Micro QR	Disabled	
Chinese Sensible Code		
Chinese Sensible Code	Disabled	

AIM ID Table

Symbology	AIM ID	Remark
Code 128]C0	Standard Code 128
UCC/EAN 128 (GS1-128)]C1	FNC1 is the character right after the start character
AIM 128]C2	FNC1 is the 2nd character after the start character
EAN-8]E4	Standard EAN-8
]E4....]E1...	EAN-8 + 2-Digit Add-On Code
]E4....]E2...	EAN-8 + 5-Digit Add-On Code
EAN-13]E0	Standard EAN-13
]E3	EAN-13 + 2/5-Digit Add-On Code
ISSN]X5	Standard ISSN
ISBN]X4	Standard ISBN
UPC-E]E0	Standard UPC-E
]E3	UPC-E + 2/5-Digit Add-On Code
UPC-A]E0	Standard UPC-A
]E3	UPC-A + 2/5-Digit Add-On Code
Interleaved 2 of 5]I0	No check character verification
]I1	Transmit check character after verification
]I3	Do not transmit check character after verification
ITF-6]I1	Transmit check character
]I3	Do not transmit check character
ITF-14]I1	Transmit check character
]I3	Do not transmit check character
Matrix 2 of 5]X1	No check character verification
]X2	Transmit check character after verification
]X3	Do not transmit check character after verification
Industrial 25]S0	Not specified
Standard 25]R0	No check character verification
]R8	One check character, MOD 7; do not transmit check character
]R9	One check character, MOD 7; transmit check character
Code 39]A0	Transmit barcodes as is; Full ASCII disabled; no check character verification

Symbology	AIM ID	Remark
	JA1	One check character, MOD 43; transmit check character
	JA3	One check character, MOD 43; do not transmit check character
	JA4	Full ASCII enabled; no check character verification
	JA5	Full ASCII enabled; MOD43; transmit check character
	JA7	Full ASCII enabled; MOD43; do not transmit check character
Codabar	JF0	Standard Codabar
	JF2	Transmit check character after verification
	JF4	Do not transmit check character after verification
Code 93	JG0	Not specified
Code 11	JH0	One check character, MOD11; transmit check character
	JH1	Two check characters, MOD11/MOD11; transmit check character
	JH3	Do not transmit check character after verification
	JH8	Two check characters, MOD11/MOD9; transmit check character
	JH9	No check character verification
Plessey	JP0	Not specified
MSI Plessey	JM0	One check character, MOD10; transmit check character
	JM1	One check character, MOD10; do not transmit check character
	JM7	Two check characters, MOD10 /MOD11; do not transmit check character
	JM8	Two check characters, MOD10 /MOD11; transmit check character
	JM9	No check character verification
RSS-14 RSS-Limited RSS-Expand	Je0	
PDF417	JL0	Comply with 1994 PDF417 specifications
Data Matrix	jd0	ECC 000 - 140
	jd1	ECC 200
	jd2	ECC 200; FNC1 is the 1st or 5th character after the start character
	jd3	ECC 200; FNC1 is the 2nd or 6th character after the start character
	jd4	ECC 200, ECI protocol supported
	jd5	ECC 200; FNC1 is the 1st or 5th character after the start character; ECI supported
	jd6	ECC 200; FNC1 is the 2nd or 6th character after the start character; ECI supported

Symbology	AIM ID	Remark
QR Code]Q0	QR1 (comply with AIM ISS 97-001 specifications)
]Q1	QR2 (2005 symbol), ECI protocol not supported
]Q2	QR2 (2005 symbol), ECI protocol supported
]Q3	QR2 (2005 symbol), ECI protocol not supported; FNC1 is the character right after the start character
]Q4	QR2 (2005 symbol), ECI protocol supported; FNC1 is the character right after the start character
]Q5	QR2 (2005 symbol), ECI protocol not supported; FNC1 is the 2nd character right after the start character
]Q6	QR2 (2005 symbol), ECI protocol supported; FNC1 is the 2nd character right after the start character
Chinese Sensible Code]h0	ECI protocol not supported
]h1	ECI protocol supported

Reference: ISO/IEC 15424:2008 Information technology – Automatic identification and data capture techniques – Data Carrier Identifiers (including Symbology Identifiers)

Code ID Table

Symbology	Original Code ID	Visible Code ID
Code 128 FNC3	1	A(0x41)
Code 128	2	B(0x42)
UCC/EAN 128	3	C(0x43)
EAN-8	4	D(0x44)
EAN-13	5	E(0x45)
UPC-E	6	F(0x46)
UPC-A	7	G(0x47)
Interleaved 2 of 5	8	H(0x48)
ITF-14	9	I(0x49)
ITF-6	10	J(0x4A)
Code 39	13	M(0x4D)
Codabar	15	O(0x4F)
Standard 25	16	P(0x50)
Code 93	17	Q(0x51)
AIM 128	21	U(0x55)
MSI Plessey	22	V(0x56)
ISBN	23	W(0x57)
Industrial 25	24	X(0x58)
Matrix 2 of 5	25	Y(0x59)
RSS-14	26	Z(0x5A)
RSS Limited	27	[(0x5B)
RSS Expand	28	\(0x5C)
Code 11	29](0x5D)
Plessey	30	^(0x5E)
ISSN	31	_(0x5F)
PDF417	32	`(0x60)
QR	33	a(0x61)
Data Matrix	35	c(0x63)
Chinese Sensible Code	39	g(0x67)

ASCII Table

Hex	Dec	Char
00	0	NUL (Null char.)
01	1	SOH (Start of Header)
02	2	STX (Start of Text)
03	3	ETX (End of Text)
04	4	EOT (End of Transmission)
05	5	ENQ (Enquiry)
06	6	ACK (Acknowledgment)
07	7	BEL (Bell)
08	8	BS (Backspace)
09	9	HT (Horizontal Tab)
0a	10	LF (Line Feed)
0b	11	VT (Vertical Tab)
0c	12	FF (Form Feed)
0d	13	CR (Carriage Return)
0e	14	SO (Shift Out)
0f	15	SI (Shift In)
10	16	DLE (Data Link Escape)
11	17	DC1 (XON) (Device Control 1)
12	18	DC2 (Device Control 2)
13	19	DC3 (XOFF) (Device Control 3)
14	20	DC4 (Device Control 4)
15	21	NAK (Negative Acknowledgment)
16	22	SYN (Synchronous Idle)
17	23	ETB (End of Trans. Block)
18	24	CAN (Cancel)
19	25	EM (End of Medium)
1a	26	SUB (Substitute)
1b	27	ESC (Escape)
1c	28	FS (File Separator)
1d	29	GS (Group Separator)

Hex	Dec	Char
1e	30	RS (Request to Send)
1f	31	US (Unit Separator)
20	32	SP (Space)
21	33	! (Exclamation Mark)
22	34	" (Double Quote)
23	35	# (Number Sign)
24	36	\$ (Dollar Sign)
25	37	% (Percent)
26	38	& (Ampersand)
27	39	` (Single Quote)
28	40	((Left/ Opening Parenthesis)
29	41) (Right/ Closing Parenthesis)
2a	42	* (Asterisk)
2b	43	+ (Plus)
2c	44	, (Comma)
2d	45	- (Minus/ Dash)
2e	46	. (Dot)
2f	47	/ (Forward Slash)
30	48	0
31	49	1
32	50	2
33	51	3
34	52	4
35	53	5
36	54	6
37	55	7
38	56	8
39	57	9
3a	58	: (Colon)
3b	59	; (Semi-colon)
3c	60	< (Less Than)
3d	61	= (Equal Sign)

Hex	Dec	Char
3e	62	> (Greater Than)
3f	63	? (Question Mark)
40	64	@ (AT Symbol)
41	65	A
42	66	B
43	67	C
44	68	D
45	69	E
46	70	F
47	71	G
48	72	H
49	73	I
4a	74	J
4b	75	K
4c	76	L
4d	77	M
4e	78	N
4f	79	O
50	80	P
51	81	Q
52	82	R
53	83	S
54	84	T
55	85	U
56	86	V
57	87	W
58	88	X
59	89	Y
5a	90	Z
5b	91	[(Left/ Opening Bracket)
5c	92	\ (Back Slash)
5d	93] (Right/ Closing Bracket)



**Newland Auto-ID Tech. Co., Ltd.
(Headquarters)**

3F, Building A, No.1, Rujiang West Rd., Mawei,
Fuzhou, Fujian, China 350015
Tel: +86 - (0) 591-83978605
Fax: +86 - (0) 591-83979216
E-mail: contact@nlscan.com
Web: www.newlandaidc.com

Newland Europe BV

Rolweg 25, 4104 AV Culemborg, The Netherlands
Tel: +31 (0) 345 87 00 33
Fax: +31 (0) 345 87 00 39
Email: info@newland-id.com
Web: www.newland-id.com
Tech Support: tech-support@newland-id.com

Newland North America Inc.

46559 Fremont Blvd., Fremont, CA 94538, USA
Tel: 510 490 3888
Fax: 510 490 3887
Email: info@newlandna.com
Web: www.newlandamerica.com

Newland Latin America

Tel: +1 (239) 598 0068
Fax: +1 (239) 280 1238
Email: info@newlandla.com
Web: www.newlandamerica.com

Newland Taiwan Inc.

7F-6, No. 268, Liancheng Rd., Jhonghe Dist. 235,
New Taipei City, Taiwan
Tel: +886 2 7731 5388
Fax: +886 2 7731 5389
Email: info@newland-id.com.tw
Web: www.newland-id.com.tw

Newland Korea

Biz. Center Best-one, Jang-eun
Medical Plaza 6F, Bojeong-dong 1261-4,
Kihung-gu, Yongin-City, Kyunggi-do, South Korea
Tel: +82 10 8990 4838
Fax: +82 70 4369 0009
Email: th.sung@newland-id.com.tw
Web: www.newlandaidc.com/kor/