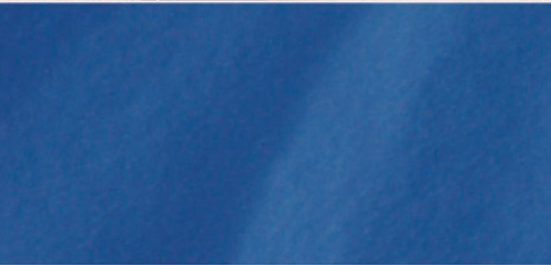




Broyhill
when only perfection will do



**PARTS CATALOG
2017-2018**



INDEX

BROYHILL PARTS

Walk Boom Parts.....	2
Silhouette 1 & 2 Parts.....	3
Ball Field Finisher.....	3
Actuator Lift Kit.....	3
Greens Brush.....	4
Legacy Pro/Sport.....	5
Poly Tanks.....	6
Mechanical Agitator Parts.....	7
Tank Lids, Strainer Baskets.....	8
Tank Withdrawal Fittings.....	9
10 Ft. Boom Parts.....	10
Boom Hinge, Springs, Plugs.....	11
Item 2566/2567 Boom Parts.....	12-13
Foam Marker.....	14-15

ELECTRONICS

Raven Controls.....	74
MicroTrak Calc-An-Acre.....	75

GAUGES & ACCESSORIES

Dry & Liquid Filled Gauges.....	98
Gauge Isolator.....	98
Needle Valve for gauge.....	98

HOSE REELS, HOSE & FITTINGS

Hose Reels.....	91
Hose.....	92
Quick Couplers.....	93
Clamps.....	93
Fittings.....	96

BROYHILL PARTS

Broyhill 1" Strainer.....	87
TeeJet Strainers.....	87-89

PUMPS

12 Volt Shurflo.....	17-18
Cushman Centrifugal.....	19
AccuMaster Centrifugal.....	20-21
Hypro 9200 Centrifugal.....	22
Hypro 9202C Centrifugal.....	23
Hypro 9203C Centrifugal.....	24
Hypro 9206C Hydraulic.....	25
Ace FMC Hydraulic.....	26
Hypro Transfer.....	27-28
Hypro Diaphragm.....	29-31
Hypro Diaphragm with Engine.....	32
Hypro Gearbox.....	33
Hypro 4 Roller Pumps.....	34-36
Hypro 6 Roller.....	37
Hypro Roller Pump Kits & Accessories..	38

SPRAY GUNS

Walk Boom Spray Gun.....	100
TeeJet 43 Series.....	101
TeeJet 18 Series.....	102
TeeJet TriggerJet.....	102
TeeJet 23 Series.....	103

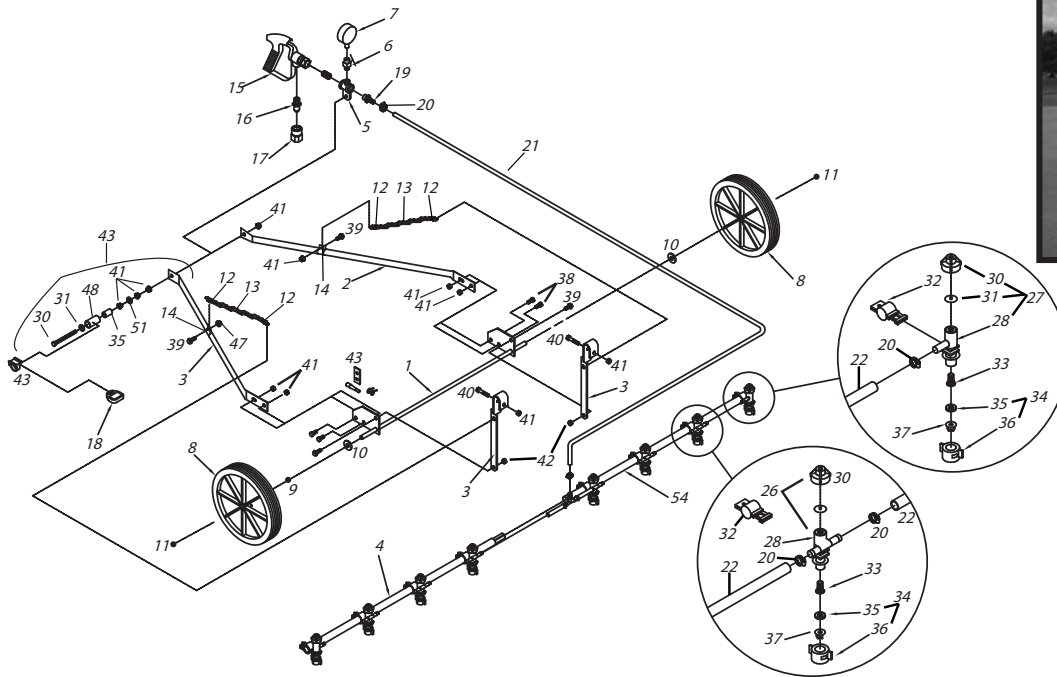
SPRAY TIPS/NOZZLE BODIES/CAPS

Hypro.....	62-72
TeeJet.....	39-60

VALVES

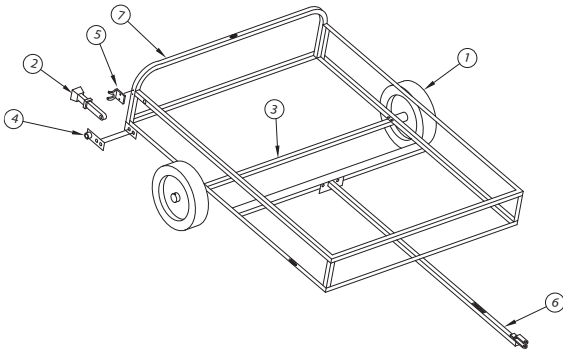
TeeJet 144 Solenoid.....	77
TeeJet 744-844-855 Controllers.....	78-79
TeeJet DirectoValves.....	80-82
TeeJet Pressure Relief Valves.....	82
TeeJet TeeValves.....	83
TeeJet Piston Type Relief Valves.....	84
Quarter Turn.....	85
Ace ValvTec Ball Valve.....	85
Glass Filled Ball Valves.....	85
Nylon Relief Valve.....	85
Nyglass Ball Valve.....	85
Plastic Gate Valve.....	85
Needle Valve.....	85

WALK BOOM PARTS



ACCUSPEED 1575D

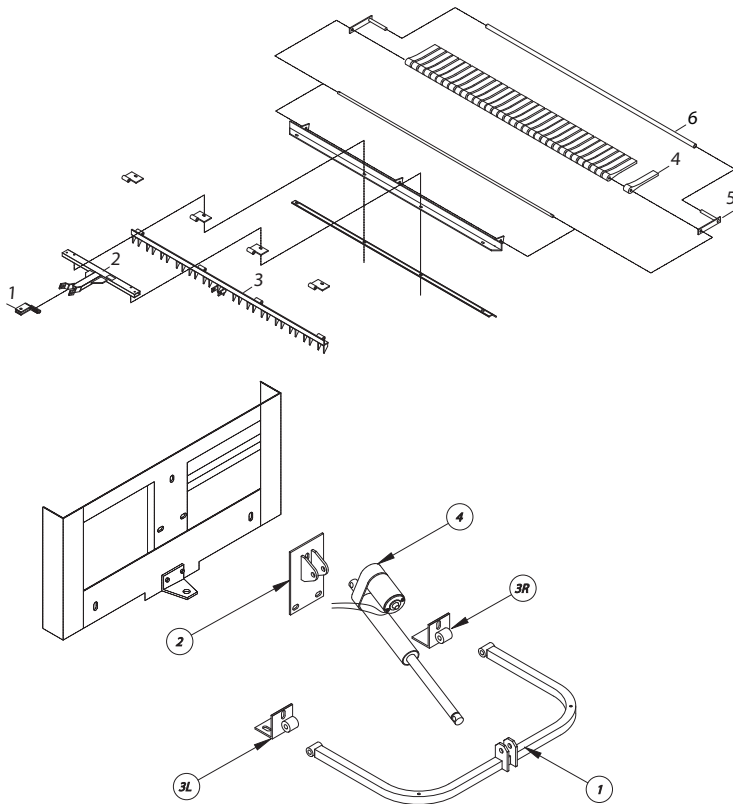
Ref. Part No.	Qty	Description	Ref. Part No.	Qty	Description
1	BR11089	1 Axle Frame	28	*SS22240-NYB	- *Double nozzle body only (included in Ref. 26) 1/2"
2	BR7110	2 Handle Support	29	*SS22237-NYB	- *Single nozzle body only (included in Ref. 27) 1/2"
3	BR7111	2 Boom Support	30	*SS21950-10-PPB	- *Check valve end cap (included in Ref. 26 & 26)
4	BR11239	1 Boom tube (male) 1" x 37"	31	*SS21953-EPR	1 *Check valve diaphragm, EPDM (included in Ref. 26/27)
5	BR7113	1 Tee with tab	32	SSQJ111-3/4	8 3/4" Quick Teejet clamp
6	CN108KC	1 Brass needle valve 1/4"	33	SS8079-PP50	8 TeeJet nozzle strainer, 50 mesh
7	AP99019268	1 Dry Pressure Gauge, 100 psi	34	SS25612-2-NYR	8 White nozzle cap & gasket
8	MT-SP-12R-12BB	2 Spoked wheel, 12" x 1.75" with 1/2" bore	35	SS19438-EPR	- *Gasket only (included in Ref. 34)
9	-	-	36	SS25611-2-NY	- White cap only (included in Ref. 34)
10	ZZFWSAE-12	2 Flat Washer, 1/2" SAE	37	SSXR8008VS	8 Extended range flat spray tip, white
11	ZZ5121	2 Axle Cap, 1/2"	38	ZZHCS-38X34	4 Hex cap screw, 3/8" x 3/4"
12	SCB-G172-11/2	4 S-Hook	39	ZZHFLS-38X1	4 Hex flange lock screw, 3/8" x 1"
13	SX-TWZ2	2 Twist link chain #2x28 links	40	ZZHCS-38X134	2 Hex cap screw, 3/8" x 1-3/4"
14	YO4576-A	2 Boom chain clamp	41	ZZHFLN-38	12 Hex flange lock nut, 3/8"
15	SS43LC1/2	1 GunJet, brass, 43LC-1/2"	42	ZZLN-38	2 Hex lock nut, 3/8"
16	SUBST-N4M	1 Quick coupler, 1/2" brass, MNPT	43	CAT-RD200	1 AccuSpeed speedometer with rear mount kit
17	SUBST-4	1 Quick coupler, 1/2" brass, FNPT	44		
18	ZZCN-12	1 Close nipple, 1/2", CI	45		
19	PEA12	1 Ny. hose insert, 1/2" MNPT x 1/2" HB	46		
20	WTM5	18 Hose Clamp, 7/16" x 25/32"	47	BR11168	1 AccuSpeed magnet sensor mount
21	AP10031730	1 EPDM Hose, 1/2" x 48" long	48	BR11090	1 Speedometer mount tube
22	AP10031730	6 EPDM Hose, 1/2" x 9" long	49	EA#G406	2 406 grommet
23	AP10031730	2 EPDM Hose, 1/2" x 4" long	50	ZZHHSFT-38X4	1 Hex screw, 3/8" x 4" full thread
24	PET12	1 Tee, Nylon, 1/2"	51	ZZFW-516	2 Flat Washer 5/16"
25	SX-6202	3 Hose Clamp, 1/4"	52	AP10031730	1 1/2", 2BRD, 200 # Black Hose
26	SS22252-312-500-NYB	6 1/2 quick Teejet Diaphragm check double nozzle body	54	BR11238	1 Female boom tube, stain. steel 1"x37"
27	SS22251-311-500-NYB	2 1/2 quick Teejet Diaphragm check single nozzle body			



Note: for trailer purchased before May, 2002 needing replacement left & right latches, customer must order two PPI-11786 rubber straps, two MM1685A999 latch keepers, two ZZCS-14X114 carriage screws, four SCB#12-14X34-SDS self drilling screws and four ZZFW-14 1/4" flat washers.

**SILHOUETTE I & II GREENS TRAILERS
REPLACEMENT PARTS LIST**

Ref.	Part No.	2628A-1	2628A-2	Description
1	TI13-3019SU	2	-	13X6.50-6 wheel assembly, with roller bearing 3/4" Axle
	TI13-2172SU	-	2	18X8.50-8 wheel assembly, with roller bearing 1" Axle
2	PPI-11786	2	2	Rubber strap (for models purchased after May, 2002)
		-	-	-
3	BR11778	1	-	Axle 3/4"
		-	1	Axle 1"
4	BR11780	1	1	Bolt on hinge pivot plate
		-	-	-
5	MM1685A999	2	2	Steel latchkeeper
		-	-	-
6	BR11782	1	-	Tongue
		-	1	Tongue
-	I-2634	-	-	Front roller hold down kit
-	I-2641-1	1	-	Replacement roller bearing kit for one wheel on the small greens trailer
-	I-2641-2	-	1	Replacement roller bearing kit for one wheel on the large greens trailer (Carlisle tire) 2 1/2 bearing
-	I-2641-2-3	-	1	Replacement roller bearing kit for one wheel on the large greens trailer (Kendra tire) 2 1/4 bearing
7	BR11781	1	-	Tailgate
7	BR11785	-	1	Tailgate



**BALL FIELD FINISHER
REPLACEMENT PARTS**

Ref.	Part No.	Description
1	BR11816	Hitch
2	BR11810	Tongue
3	BR11812	Scarifier
4	PPI-26309P	Rubber flail (34 per unit)
5	BR11815	Side Bar
7	BR11814	Rear Cross Tube

**ACTUATOR LIFT KIT
REPLACEMENT PARTS**

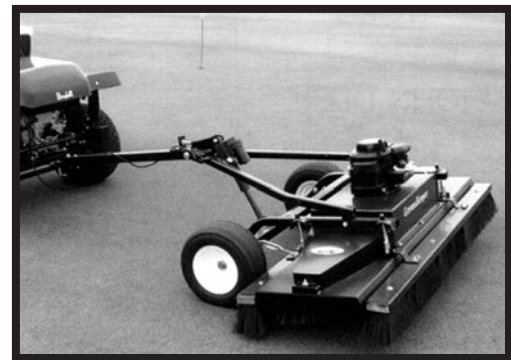
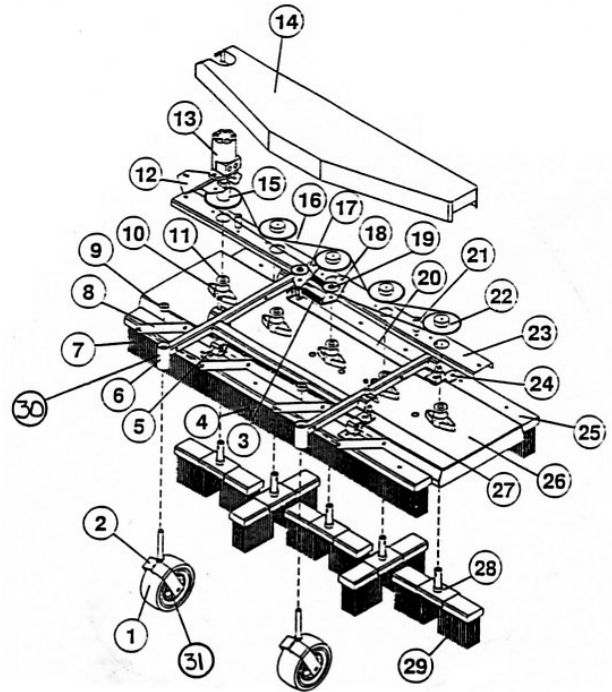
Ref.	Part No.	Description
1	BR11728	Lift frame assembly
2	BR11729	Actuator mount plate
3	BR11730L	Left pivot attaching plate
	BR11730R	Right pivot attaching plate
4	BL-K2G10-12V-BR-06	12 volt 6" stroke 500 lb. actuator

GREENSKEEPER BRUSH

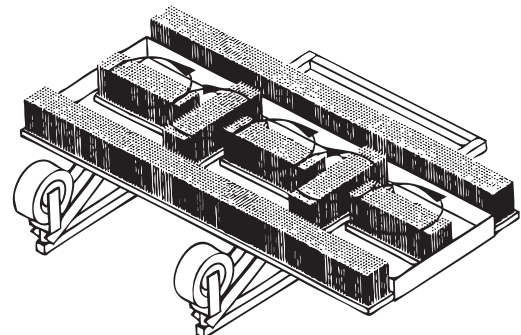
Item 2582 Greens Brush (Less Brackets & Fitting Kit)

GREENS BRUSH PARTS LIST

Ref.	Part No.	Qty.	Description
1	MT9/350-4	2	Caster wheel, smooth, 9X3.50-4
2	BR11921	2	Caster fork
3	FVS24137P	2	Tension spring
4	I-2752	1	Stationary brush kit, includes one 16" and two 24" brushes
5	BR12188	2	Lower pan carrier, front
6	BR11920	1	Caster arm/center frame
7	I-2752	1	Stationary brush kit, includes one 16" and two 24" brushes
8	BR11924	4	Hinge strap mount bracket
9	ZZP502013	2	Dust cap
10	-		Bearing housing (part of brush pan)
11	ZZ-Z99R16	10	Ball bearing
12	BR12184	1	Motor mount
13	KR-TB0130 AS100AAAAB	1	Hydraulic motor
14	FRP-24-108-P	1	Chain cover
15	BR12178	1	Drive sprocket
16	MII-00882C- 23040	10 ft	#40 roller chain x 10 ft.
	MII-00882C- 10339	1	Connecting link, #40 chain
	MII-00882C- 10340	1	Offset link, #40 chain
17	BR12186	1	Idler tensioner
18	BR12185	1	Idler bracket
19	ZZAG2318A	2	Idler sprocket, 18 tooth, 1/2" bore
20	BR12181	2	Pan carrier
21	BR12190	2	Cover standoff
22	TLT40B35-1	4	Sprocket
23	-		Bearing support (part of brush pan)
24	BR12187	2	Brush lift (rear)
25	BR12182	2	Stationary brush mount
26	BR12180	1	Brush pan (includes Ref. 10 & 23)
27	AU-2708-4A	4	Yoke
28	BR12183	5	Brush mount
29	I-2753	1	Revolving brush kit, includes five 16" revolving brushes
30	BR11923	2	Spindle seal tube
31	BR11922	2	Wheel spacer tube

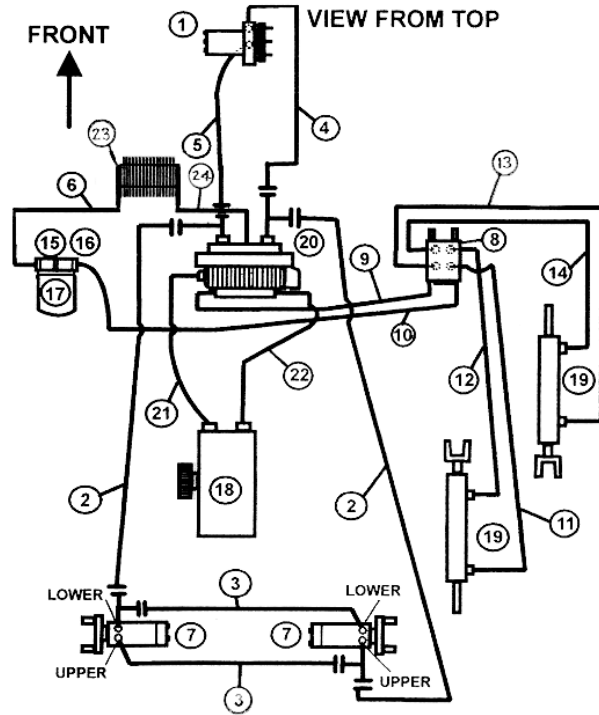


Shown is Broyhill's new trailered brush with choice of Honda or Briggs engine options.



LEGACY PRO & SPORT

REPLACEMENT PARTS FOR OIL RESERVOIR, COOLER, MOTORS, HUBS & TIRES



ITEM 2693 HYDRAULIC OIL RESERVOIR

Ref.	Part No.	Qty.	Description
18	BR12172	1	Oil Reservoir Tank
	NOTT-SES-3-40-S80	1	Filler breather assembly
	TM2501-10-8	1	#8 pipe to #10 JIC male elbow
	TM2503-8-8	1	Male Branch Tee
	TM5406-SHP	1	1/4" pipe plug, square
	TM4311-10	1	#10 brass push on fitting
	TM4311-8	1	#8 brass push on fitting

ITEM 2700 OIL COOLER

23	PS-10215VI	1	Oil Cooler
	TM5502-12	1	#12 female pipe thread elbow
	ZZN-34X212	1	3/4" pipe nipple x 2 1/2" long
	TM5406-12-8	2	#12 pipe reducing bushing to #8 pipe thread
	TM2404-6-8	2	#8 male pipe to #6 male JIC straight connector
15	PS-FA3N12-25	1	Filter Head
17	PS-FA35-CC10	1	Filter Element
16	BR12111	1	Filter Head Mount
23	BR12082	1	Oil Cooler bracket
23	UL-784658	1	3/4" rubber coated conduit clamp

ITEM 2703 HYDRAULIC MOTORS/FITTINGS/HUBS/TIRES

7	PS-158-3134	2	Rear drive motors (tapered shaft)
	TM6801-8-10	4	#10 male o-ring to #8 male JIC elbow
	TM2603-8-8-8	2	#8 male JIC tee
1	PS-101-2829	1	Front drive motor with end Ports
	TM6801-6-8	2	#8 o-ring to #6 male JIC elbow
	CRT28-296-P	3	Wheel/tire assembly, 22x11.00-8 tire, 8x8.5 ATV 5 on 4.5 rim and 1/2-20 lug nuts
	FH5552	15	1/2-20 lug nuts
	BE173-31	3	1/8" x 1 1/2" cotter key
20	PS-1120-045	1	Hydrostatic pump with tow valve
8	PS-30922-CEN	1	Eaton control valve, less handles
19	AH-13292P	2	Lift Cylinder

MISCELLANEOUS PARTS

Part No.	Description
BR12792	Throttle Cable Assembly
BR12089	Hand Throttle Level
KO-02-099	Wire Swivel
WPC-22-2115-03	Clip
KO-60-123	Choke Control Cable
CRT250120018678	Wheel Hub Only
CRT30-422	Lug Nuts
GOPHER-E73-40A	Park Brake Safety Switch

BROYHILL'S REPLACEMENT TANKS

LAWN & GARDEN POLY TANKS

Order No.	Gallons & Style	Tank Color	Lid Size	HghtxWdthxLgth (in inches)	Sump (in inches)	Sprayer Series
ARM-SB15WP-DR	15 gal. blow mold	Yellow	5" threaded	14x31	None	Spot Sprayers
ARM-SB25WP-DR	25 gal. blow mold	Yellow	5" threaded	18x34	None	Spot Sprayers
I-2243	55 gal. round	White	5" threaded	22 1/2 dia. x 38	1/2 x 5 1/2 x 7	3-Point
BR9820-60	60 gal. low profile	White	10" threaded	24x34x27 3/4	None	ATV Series

TURF POLY TANKS

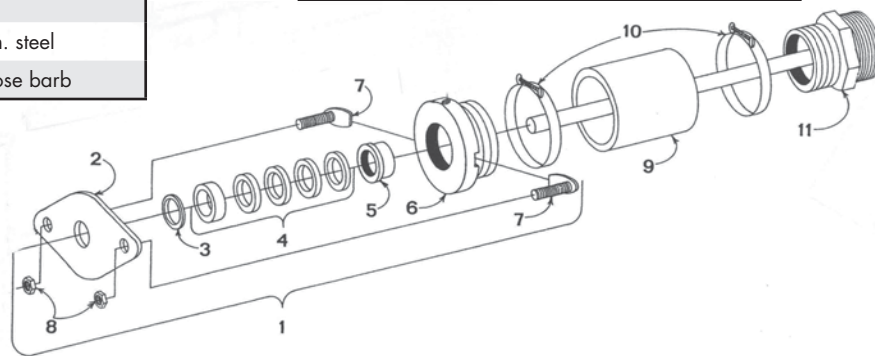
ARM-SB00060SWSS	60 gal. PCO	White	5"	24x36x26	YES	2492 Series Mini 50/60
I-2024A	200 gal. round	White	8"	32diax68	1x5x9	LawnMate (TP)
I-2524	210 gal. low profile	Yellow	12"	28 1/2X51X53	6X10 1/2X1 1/2	Accupro
I-1914A	300 gal. round	White	8"	38 dia. x 76	1x5x9	LawnMate (TP)
I-2386-ProTech	300 gal. Low Profile	White	16" Hinged	38 1/2X26 1/2X60	1/2X6X13	Pro-Tech (Fairway)
I-1912A	150 gal. round	White	8"	30x57	1x5x9	LawnMate (TP)



BROYHILL'S MECHANICAL AGITATOR PARTS

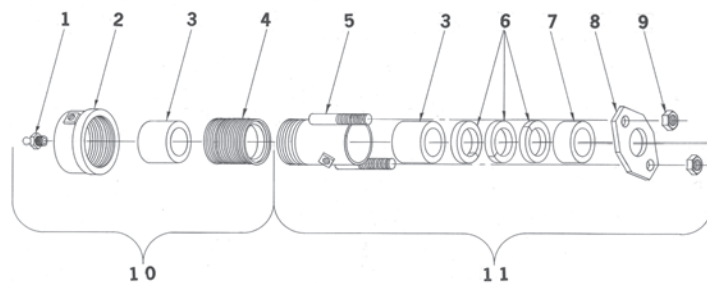
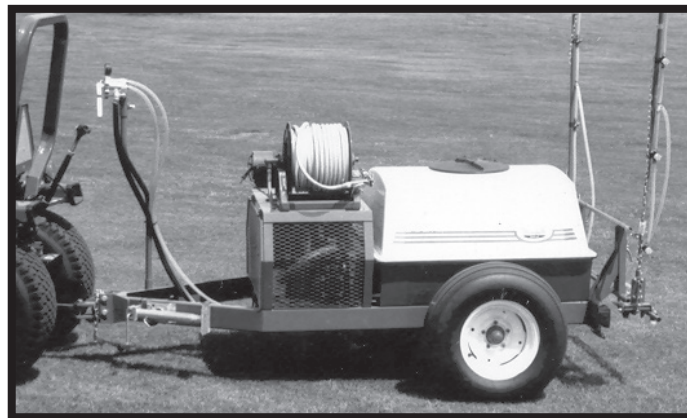
5/8" PACKING GLAND ASSEMBLY

Ref.	Part No.	Qty.	Description
1	BR6975	1	Nylon packing gland assembly
2	BR6764	1	Nylon push ring
3	BE105-60	1	Machinery bushing, 18 ga. x 1" O.D. x 5/8" I.D.
4	CPCVU1018	1	Teflon packing set (standard)
5	ZZFL-64-6	1	Brass bushing, 5/8" I.D.
6	BR6763	1	Nylon packing gland assembly
7	BCSS3324	2	Weld fastener, 3/8" x 1/2"
8	ZZHFLN-38	2	Lock nut, 3/8"
9	AICFVT-2"IDX	1	Flexible tubing, 2" I.D. x 1/4" wall x 3 1/2" long
10	WT32H	2	Hose clamp, 2" stain. steel
11	PEA200	1	2" male NPT x 2" hose barb



1" PACKING GLAND ASSEMBLY

Ref.	Part No.	Qty.	Description
1	SR1610-BL	1	1/8" grease fitting
2	BR9579	1	End cap, 1 1/2" NPT
3	ZZP-105-10	2	Bronze bushing, 1" I.D. x 1 1/2" O.D. x 1 1/4"
4	BR9580	1	Rear bushing, 1 1/2" NPT
5	BR9581	1	Packing gland, 1 1/2" NPT
6	BR9582	1	Packing material (set of three)
7	BR9583	1	Push ring, 1" I.D. x 1 1/2" O.D. x 3/4"
8	BR9584	1	Push ring plate
9	ZZHFLN-38	2	Hex flange lock nut, 3/8"
10	BR9585	1	End cap assembly (includes ref. 1-4)
11	BR9586	1	Gland assembly (includes ref. 5-9)



TANK LIDS & STRAINER BASKETS

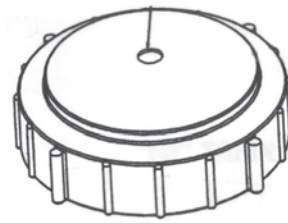
TANK AIR GAP FILLER

Broyhill's optional air gap tank filler meets California code for anti-siphon tank filling.
Order No. I-2413



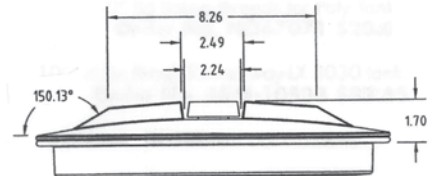
STRAINER BASKETS

Fits 10" fillwell opening on Broyhill and Solar tanks with a flange at the bottom edge of the fillwell. Add BRN-188 adapter ring to support basket in the 10" fillwell of Raven fiberglass or poly tank.
Order No. BRN-105 basket
Order No. BRN-188 adapter ring



8" TANK LID
 8" Screw on lid for 15 and 25 gallon FM spot sprayer tanks.
Order No. ARM-10525

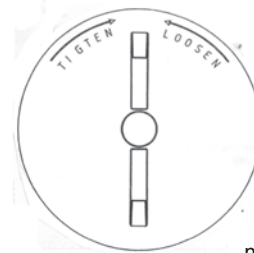
5" TANK LID
 5" screw on lid bar
 15 and 25 spot sprays
Order No. ARN-10522



10" lid with ring for Broyhill's Fairway-LX old style 3030 tank.
Order No. ARM-10533



Part Number	Filter Type	Filter Size
HY9950-12240	12" Basket	18 Mesh
HY9950-16180	16" Basket	18 Mesh



12" TANK LID
 12" lid, breather and rim, for 80 gallon poly tank.
Order No. PE3522040-1

12" lid threaded, vented.
Order No. ARM-10527



16" TANK LID & FILLWELL
 16" lid for Broyhill's Terramaster,® Hydramaster sprayers. Includes 4" center cap with double air breathers and threads for secured fit and leak resistance.
Order No. PE3522060-1



16" Hinged Locking Lid for 300 gallon Pro-Tech Sprayer
Order No. HY356061

4" Center Cap
Order No. NO60019

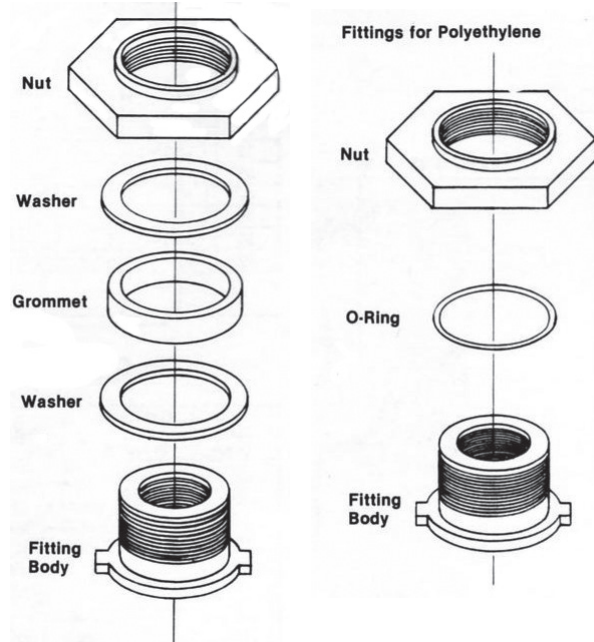
TANK FITTINGS

Fittings Poly Tanks

POLY TANK FITTINGS	
Order No. Poly Tanks	Description
NO67158	1/2" single thread fitting
NO67161	1/2" double thread fitting
ARM-10484	3/4" double thread fitting
NO67159	1" single thread fitting
NO67162	1" double thread fitting
NO67114	1 1/4" single thread fitting
NO67155	1 1/4" double thread fitting
NO67156	2" single thread fitting
NO67153	2" double thread fitting
NO67170	3" single thread fitting
NO67169	3" double thread fitting

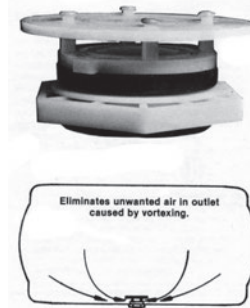
Replacement Nylon Washers for Withdrawal Fittings	
*NO67343	Washer for 1 1/4", 1 1/2", 2" Anti-vortex & end plug fittings (Min. Order 100/pk)

EPDM O-rings	
NO67337	O-ring for 1/2", 3/4" & 1" poly fittings
NO67343	O-ring for 1 1/4", 1 1/2" & 2" anti-vortex poly fittings (min. order 100/pk)



Note: With the closing of Solar Tanks and the buy out of Raven tanks, some fittings and lids are no longer available.

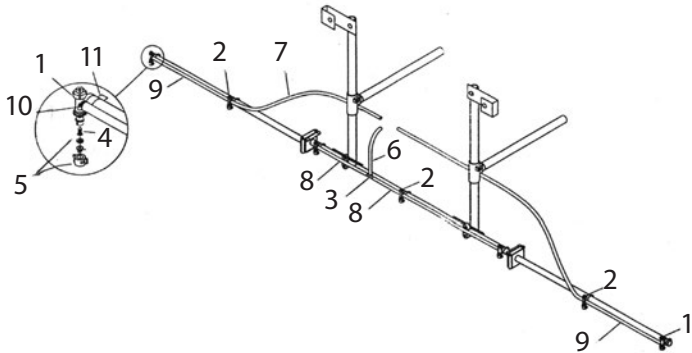
Anti-Vortex Fittings



ANTI-VORTEX FITTINGS	
Order No.	Size/Description
ARM-10918/347007	1 1/4" Center Vortex Fitting with Metal Clip
NO67151	1 1/2" poly tank anti-vortex

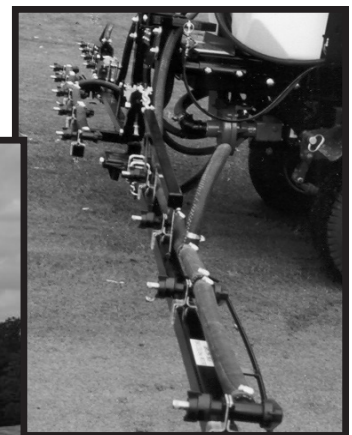
*Note: Norwesco fittings/O-Rings come in bulk packing only.

BOOM PARTS FOR BROYHILL BOOMS



REPLACEMENT BOOM PARTS FOR BROYHILL'S STADIUM SPRAYER 10 FT. BOOMS

Ref.	Order No.	Description
1	SS22251-311-500-NYB	Single hoesail nozzle body, 1/2"
2	SS22252-312-500-NYB	Double hoesail nozzle body, 1/2"
3	PET12	Nylon hose barb tee, 1/2"
4	SS8079-PP50	50 mesh strainer
5	SSXRC8004VS	Red extended range 80 degree tip, gasket/cap combo
6	AP10031730X92	Center feed hose, 1/2"x92" long
7	AP10031730x156	Outer feed hose, 1/2"x156" long
8	AP10031730x9.5	Boom hose, 1/2"x9.5" long
9	AP1003'730x19.5	Boom hose, 1/2"x19.5" long
10	WTM7	Hose clamp, 7/16" x 25/32"
11	SSQJ111-3/4	3/4" round clamp

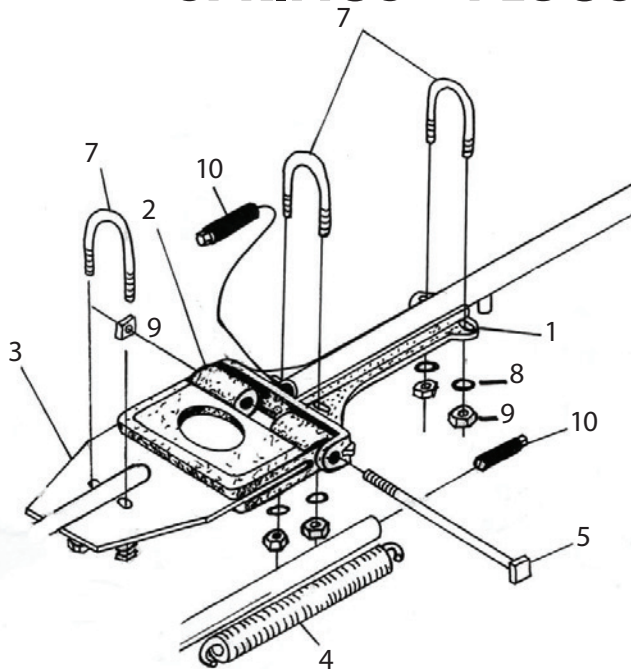


REPLACEMENT BOOM PARTS FOR BROYHILL'S 15 & 21 FT. LOW PROFILE BOOM

Order No.	Description
SS22252-312-750-NYB	Double hose tail diaphragm check nozzle body, 3/4"
SS22251-311-750-NYB	Single hose tail diaphragm check nozzle body, 3/4"
SS25600-1-NYR	Black cap & gasket for Item 2567 21 ft. boom
SS25612-1-NYR	Black cap & gasket for Item 2566 15 ft. boom
SS8079-PP50	Strainer, 50 mesh
SSTFV55	Turbo FloodJet tip for Item 2567 21 ft. boom
SSXR8004VS	XR flat spray tips for Item 2566 15 ft. boom
SSQJ111SQ114	1 1/4" square vari-spacing clamp

See Complete 15' & 21' boom breakdowns on pages 12 & 13.

BROYHILL BOOM HINGE – SPRINGS – PLUGS



BOOM HINGE
Four-way hinge for Broyhill's booms. Spring loaded hinge casting assembly allows forward or vertical folding on outer boom tubes for transport and enables breakaway action if an outer boom strikes an obstacle.

Ref.	Order No.	Description
	BRM-2C	Complete hinge assembly, cast iron
	BRM-2A	Complete hinge assembly, fiberglass (limited quantities available in fiberglass)
1	BR1511C	Cast iron outer hinge yoke (for BRM-2C)
2	BRM-10C	Outer hinge, cast iron, no hardware
	BRM-10F	Fiberglass outer hinge, no hardware (limited quantities available in fiberglass)
3	BRM-9	Hinge plate
4	BRM-6	Boom spring, 10" x 1" OD
5	ZZHHS-12X712	Hex screw, 1/2" x 7 1/2"
6	ZZLN-12	1/2" lock nut
7	ZZM-79	U-bolt 5/16" x 1 1/2" x 1 3/4"
8	ZZFW-516	5/16" flat washer
9	ZZHFLN-516	Hex flange lock nut, 5/16"
NS	BRM-61	3/4" boom plug
10	BRM-64	7/8" boom plug
4	BRM-6	Boom Spring 10" x 1" OD
NS	BRM-4274	1 3/8" OD x 25" long Boom Spring

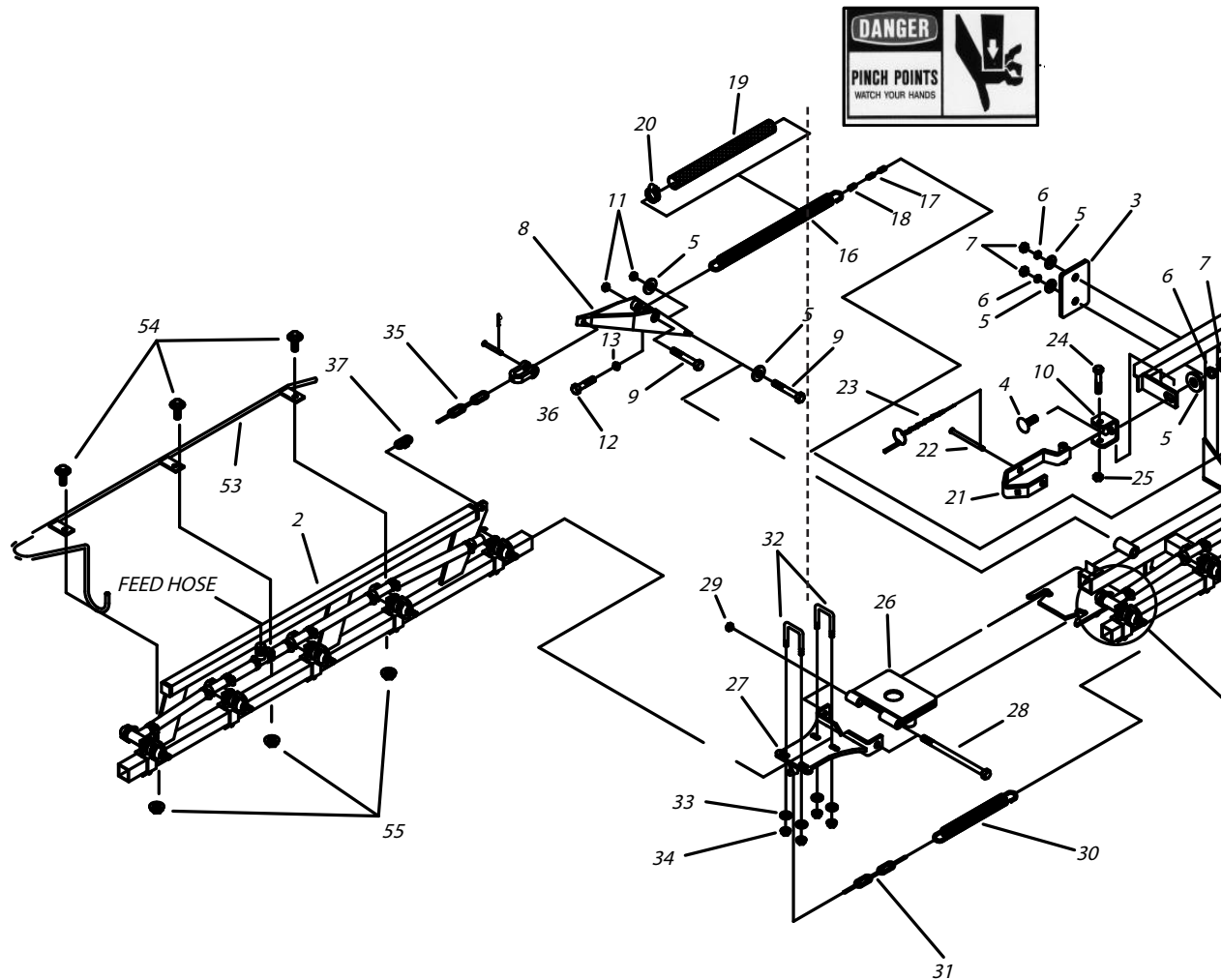
1 1/4" Square Tube

1" Round Tube



NS – not shown on drawing. Boom hinge set up reflects standard wet boom assembly with boom plugs for boom tube. The 25" long boom spring is used on the 45-60 ft. Ag boom.

Item 2566 15' and Item 2567 21' Low Profile Turf Booms

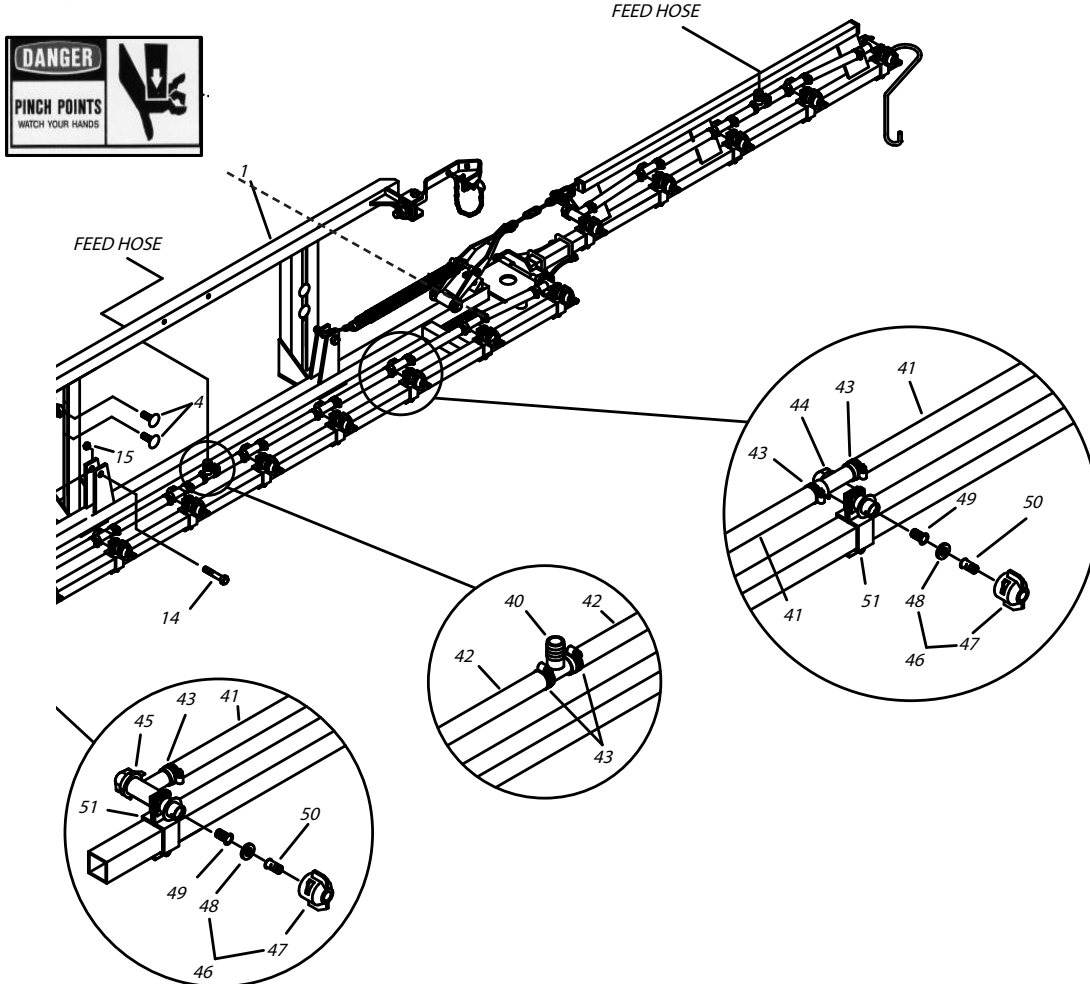


See next page for parts not shown or listed here.

Ref. Part No.	2566 Qty	2567 Qty	Description
1 BR11373	1	1	Center section
2 BR11374	-	1L/1R	Outer boom x 79" long
BR11378	1L/1R	-	Outer boom x 48" long
3 BR11234	2	2	Boom mount front plate,
4 ZZ5CS-12X112	6	6	Carriage screw, 1/2" x 1 1/2"
5 ZZFW-12	10	10	Flat washer, 1/2"
6 ZZLW-12	6	6	Lock washer, 1/2"
7 ZZHN-12	6	6	Hex nut, 1/2"
8 BR11375	2	2	Actuator hinge
9 ZZHCS-12X3	4	4	Hex cap screw, 1/2" x 3"
10 BR11508	2	2	Transport lock clevis
11 ZZULN-12	4	4	Unitorque lock nut, 1/2"
12 ZZHCS-12X212	2	2	Hex cap screw, 1/2" x 2 1/2"
13 ZZHJN-12	2	2	Hex jam nut, 1/2"
14 ZZHCS-12X2	2	2	Hex cap screw, 1/2" x 2"

Ref. Part No.	2566 Qty	2567 Qty	Description
15 ZZULN-12	2	2	Unitorque lock nut, 1/2"
16 SXV-36C	2	2	Spring, 8" long
17 SX-501113	2	2	3/16" x 3 1/4" (3.25 links) 3.25 Coil Chain
18 ZZM-93	2	2	Lap link, 3/16"
19 AP100EVAX12	2	2	EVA hose x 12" long
20 WT16H	2	2	Hose clamp, 1"
21 BR11376	2	2	Transport lock assembly
22 DA7652	2	2	Lock pin assembly
23 ZZM-421A	2	2	3/8" clevis pin
24 ZZHCS-38X234	2	2	Hex cap screw 3/8" x 2 3/4"
25 ZZULN-38	2	2	Unitorque lock nut, 3/8"
26 BRM-10C	2	2	Outer hinge section, cast iron
27 BR1511C	2	2	Outer hinge yoke, cast iron
28 ZZHCS-12X712	2	2	Hex cap screw 1/2" x 7 1/2"

Item 2566 15' and Item 2567 21' Low Profile Turf Booms



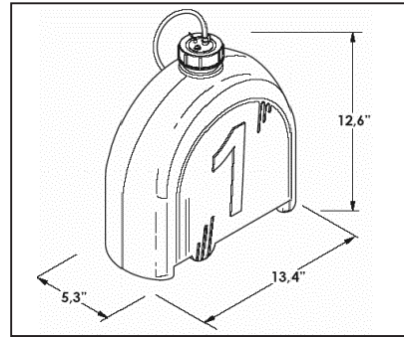
See previous page for parts not shown or listed here.

Ref. Part No.	2566 Qty	2567 Qty	Description
29 ZZULN-12	2	2	Unitorque lock nut, 1/2"
30 BRM-6	2	2	Boom spring, 10" x 1" OD
31 SX-STRZ50	2	2	Straight Link chain, 5/0 x 8" long
32 ZZM-9892	4	4	Square u-bolt 3/8" x 1 3/4" x 2"
33 ZZFW-38	8	8	Flat washer, 3/8"
34 ZZHFLN-38	8	8	Hex flange lock nut, 3/8"
35 SX-STRZ50	2	2	Straight link chain 5/0 x 6 1/2" long
36 MM3559T45	2	2	Shackle clevis 5/16" x 1 3/16"
37 MM8947T16	2	2	Rapid link, 1/4"
40 PET34	3	3	Nylon hose insert, 3/4" hose barb
41 GR-L85-3/4X 18 3/4	-	7	Hose, 250 psi, 3/4" x 18 3/4" long
GR-L85-3/4X 8 1/2	12	-	Hose, 250 psi, 3/4" x 8 1/2" long
42 GR-L85-3/4X 9 1/8	-	6	Hose, 250 psi, 3/4" x 9 1/8" long
GR-L85-3/4X 18 3/4	6	-	Hose, 250 psi, 3/4" x 18 3/4" long

Ref. Part No.	2566 Qty	2567 Qty	Description
43 WT16H	37	37	3/4" hose clamps, st. steel
44 SS22252-312-750-NYB	13	7	Double hose tail nozzle body 3/4" with diaphragm check
45 SS22251-311-750-NYB	6	6	Single hose tail nozzle body, 3/4" with diaphragm check
46 SS25600-1-NYR	-	13	Cap & gasket
SS25612-1-NYR	19	-	Cap & gasket
48 SS19438-EPR	-	-	Gasket only for caps
49 SS8079-PP50	19	13	Strainer, 50 mesh, red
50 SSTFVSS	-	13	Turbo FloodJet tip, blue
SSXR8004VS	19	-	Extended range 80 degree red tips
51 SSQJ111SQ114	19	13	1 1/4" vari-spacing square clamp
52 MM7130K56	2	2	Tie wrap, 14 1/2" long
53 I-2368	1	1	Left Kit Only
I-2368	1	1	Right Kit Only
54 ZZHFLS-516X34	6	6	Hex flange lock screw 5/16" x 3/4"
55 ZZHFLN-516	6	6	Hex flange lock nut, 5/16"
56 GR-L85-1X7	2	2	1" 4 brd 250 psi hose x 7" long

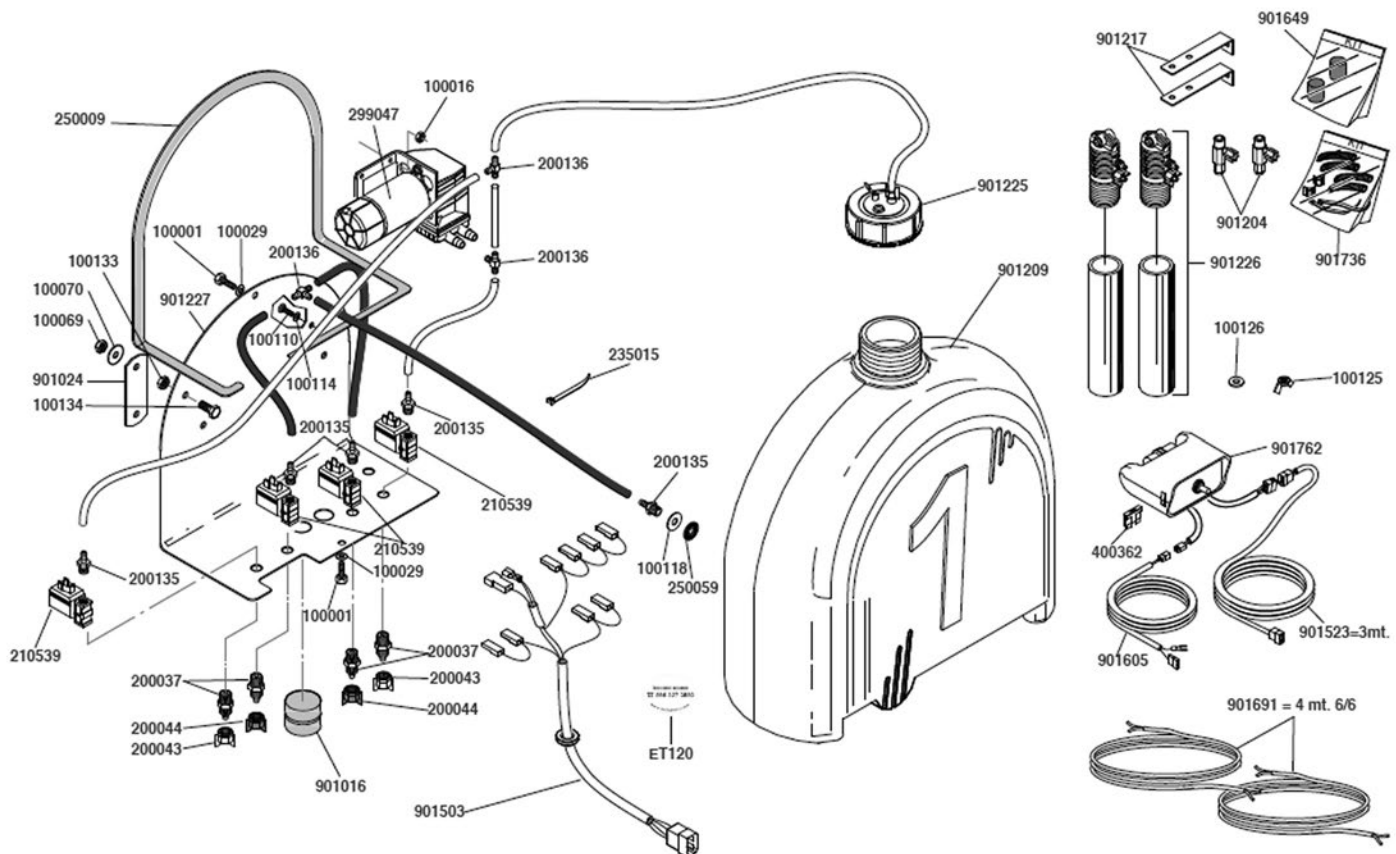
BROYHILL'S NEW STYLE FOAM MARKER I-2612-LP

The TJ 1G foam marker is economically built for ATV sprayers and for drop spreaders. The marker generates small foam balls at the end of the boom (or on each side of the spreader). A full tank will last approximately 1.5 hours maximum depending on the flow rate and the quantity of foam agent used. Easy and fast to install. Foam marker is field tested.



- 1 gal tank
- Built-In Compressor
- Right/Left Remote Switch
- 2 Vertical Foam Nozzles

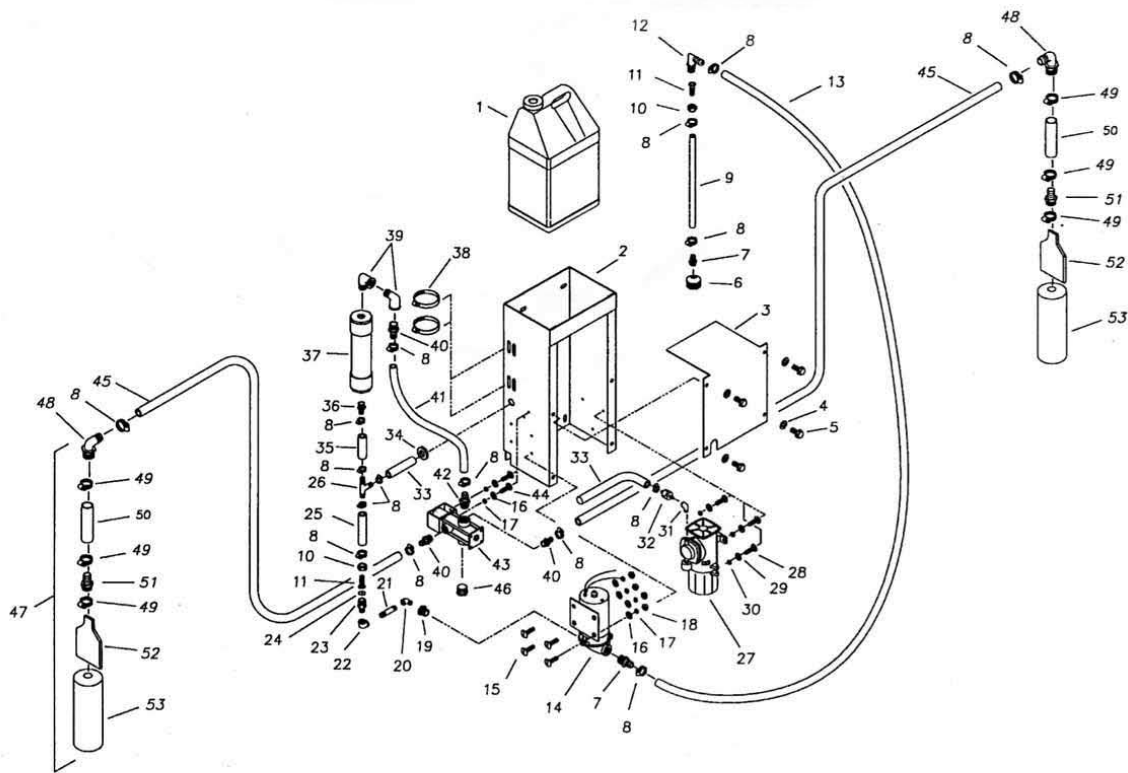
- 2 x 10 ft. of Air/Liquid Tubing
- 6.5 ft. of Power Supply Cable
- 10 ft. of Cable for Remote Switch Box
- Flow regulator



After 2009/2010

BROYHILL'S 2½ GALLON (OLD STYLE) FOAM MARKER

BROYHILL



Ref. Part No.	Qty	Description
1	BP4358	1 Jug 2 1/2 gallon, natural, NLA
2	BR11659	1 Foam marker case, NLA
3	BR11660	1 Jug Support, NLA
4	ZZHFLS-516x34	4 Hex flange lock screw, 5/16" x 3/4"
5	ZZFW-516	4 Flat washer, 5/16"
6	PE11101	1 Suction strainer, 3/8 npt
7	PEA38	2 Hose insert, 3/8"
8	WTM5	16 Hose clamp, 7/32" - 5/8"
9	GR-L85-3/8	1 Hose, black, 3/8" x 11 1/2" lg.
10	SS8027-NY	2 Threaded nylon cap, 11/16"
11	SS8400-406	2 Hose shank, 3/8"
12	SS8121-NY/406TD	1 Single connection, 3/8"
13	GR-L85-3/8	1 Hose, black, 3/8" x 34" lg.
14	SH8000-543-250	1 Shurflo pump, 12 volt
15	ZZMS-10x114	4 Machine screw, #10 x 1 1/4"
16	ZZFW-316	6 Flat washer, 3/16"
17	ZZLW-316	6 Lock washer, 3/16"
18	ZZHN-316	4 Hex nut, 3/16"
19	PERB3814	1 Reducer bushing, 3/8" - 1/4", nylon
20	ZZSE-14	1 Street elbow, 1/4"
21	ZZN-14x2	1 Nipple, 1/4" x 2"
22	ZZEL-14	1 Elbow, 1/4"
23	SS8028-NY	1 Male teejet body, 1/4"
24	SS4916-24	1 Orifice plate, #24
25	GR-L85-3/8	1 Hose, black, 3/8" x 5"
26	PET38	1 Hose barb tee, 3/8"
27	TC107CDC20	1 Thomas compressor, 12 volt
28	ZZMS-8x32	3 Machine screw, #8 x 1/2"

Ref. Part No.	Qty	Description
29	ZZFW-8	3 Flat washer, #8
30	ZZLW-8	3 Lock washer, #8
31	ZZSE-18	1 Street elbow, #8
32	SM314/306	1 Check valve
33	GR-L85-3/8	1 Hose, black, 3/8" x 5' lg
34	MINORZ-2268	1 Grommet, rubber
35	GR-L85-3/8	1 Hose, black, 3/8" x 2" lg
36	PEA1238	1 Hose insert, 1/2" - 3/8"
37	BR11528	1 Mixer tube, NLA
38	WT32H	2 Hose clamp, 2"
39	PESE12	2 Street elbow, 1/2"
40	PEA12	3 Hose insert, 1/2"
41	AP10031730	1 Hose, black, 1/2" x 9 1/2" lg
42	PEA3412	1 Hose insert, 3/4" - 1/2"
43	SSAA144A-1-3	1 Solenoid valve
44	ZZMS-10x12	2 Machine screw #10 x 1/2"
45	AM1/2"	1 EVA hose, 1/2" x 33 ft. (cut hose to fit- 2 pieces)
46	PEF34	1 Hose insert, 3/4" - 1/2"
47	BRSA-2591-3	1 Collector bottle sub-assembly (includes the numbers 48-53), NLA
48	PEEL12	1(2) Hose insert elbow, 1/2"
49	WT12H	3(6) Hose clamp
50	GR-L85-3/4	1(2) Hose, black, 3/4" x 3 1/2" lg.
51	PEA34	1(2) Hose insert, 3/4"
52	BR11529	1(2) Sock
53	BRSA-2591-3	1(2) Collector bottle, NLA

SHURFLO 12 VOLT DIAPHRAGM PUMPS

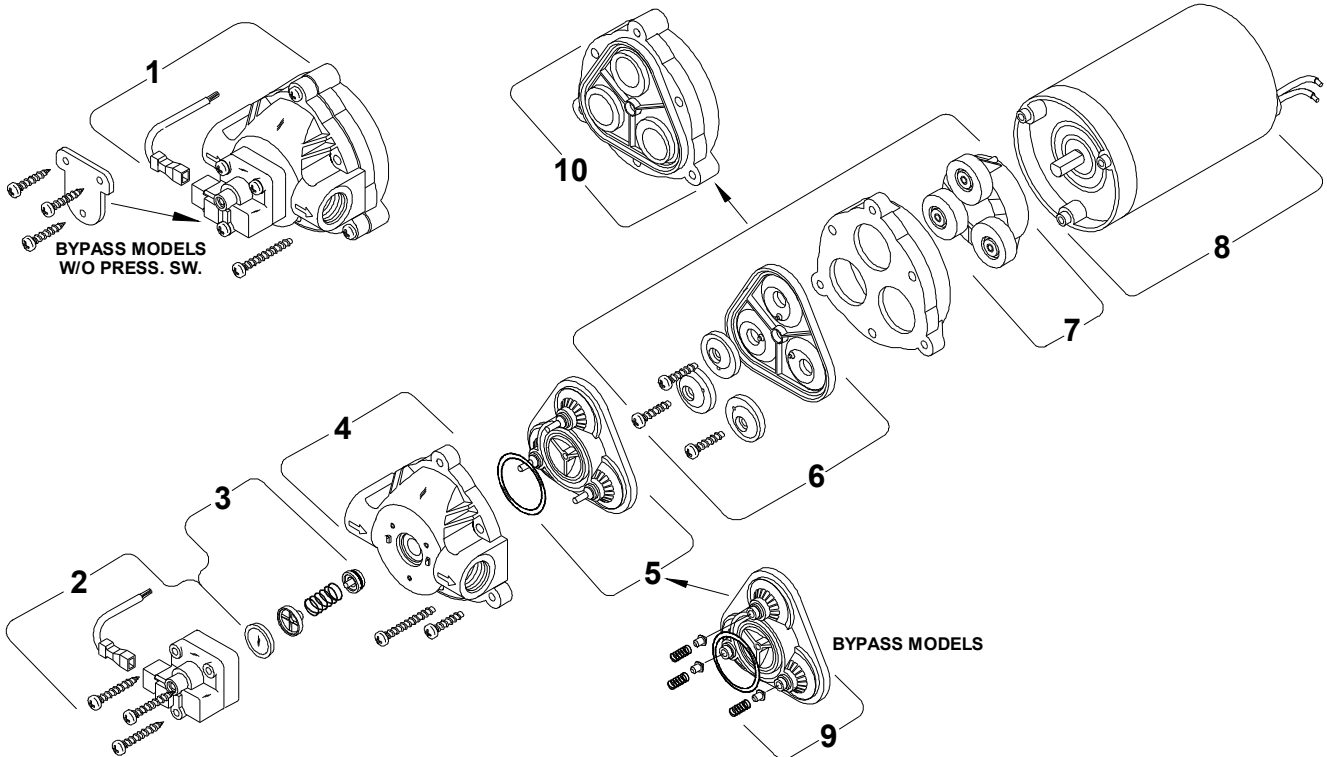
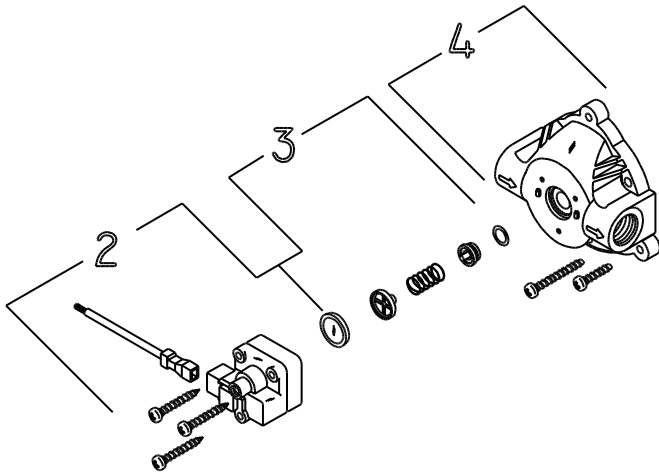
1.4 gpm, viton valves, santopreme diaphragm 60 psi, demand switch, 3/8" FPT ports.
 This pump is used on Broyhill's FM series spots sprayers.

Order Number SH8000-543-236



PARTS BREAKDOWN FOR SHURFLO 8000-543-236 (SPOT SPRAYER) PUMP

Ref. Order No.	Qty	Description
1	1	Complete pump head
2	1	Switch assembly
3a	1	Check Valve Kit 8050
3b	Not available	
4	1	Not Available
5a	Not available	By-pass valve assembly
5b	1	Non by-pass valve assembly
6	1	Not Available
7	1	Not Available
8	1	Motor



PUMPS

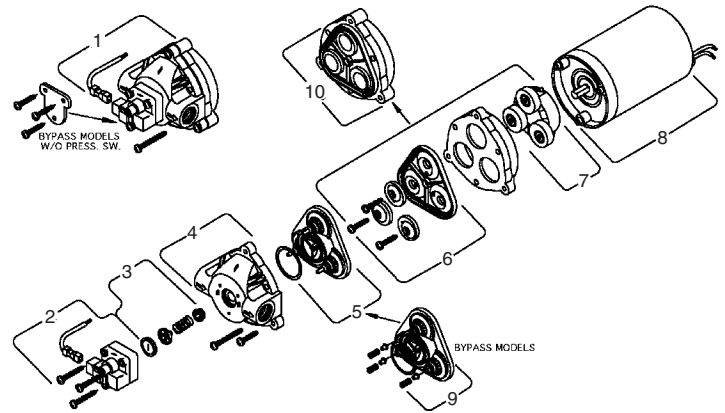
SHURFLO 12 VOLT DIAPHRAGM PUMPS

3.6 gpm, viton valves, santopreme diaphragm, 45 psi demand switch, 1/2" MPT ports. This pump is used on Broyhill's Mini 60 & Stadium Sprayers

Order Number SH2088-313-145

PARTS BREAKDOWN FOR SHURFLO 2088-313-145 PUMP

Ref.	Order No.	Qty	Description
1	SH94-236-15	1	Complete pump head
2	SH94-231-05	1	Upper housing/switch asm.
3	SH94-230-55	1	Switch assembly
4	SH94-237-05	1	Check valve assembly
5	SH94-231-30	1	Upper housing
6	SH94-232-05	1	Valve assembly
7	Not available		
8	Not available		



PUMPS

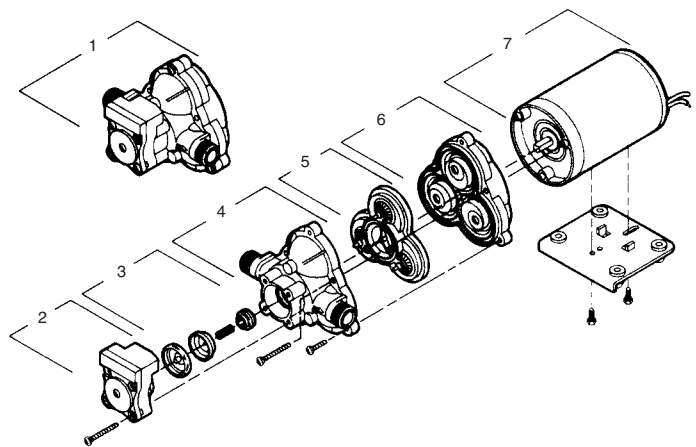


1.4 gpm, viton valves, santopreme diaphragm, 45 psi internal by-pass, 3/8" female ports, no switch. This pump is used on Broyhill's old style foam marker.

Order No. SH8000-543-250

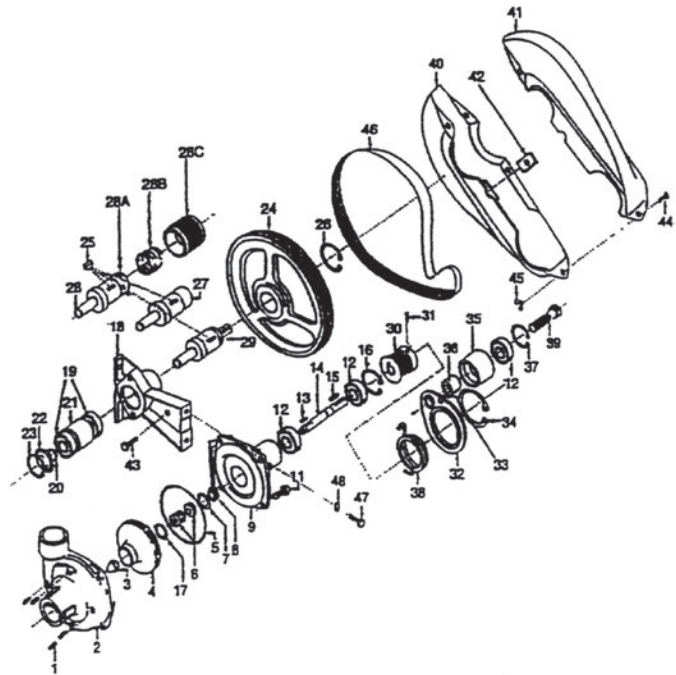
PARTS BREAKDOWN FOR SHURFLO 2088-543-250

Ref.	Part No.	Qty	Description
1	SH94-382-09	1	Complete pump head
2	Not available		
3a	Not available		
3b	Not available		
4	Not available		
5a	SH94-391-09	1	By-pass valve assembly
5b	Not available		
6	SH94-395-06	1	Diaphragm kit
7	SH94-385-03	1	Drive assembly
8	Not available		



TERRAMASTER/CUSHMAN CENTRIFUGAL HY94012 PUMP

Broyhill's exclusive high capacity, cast iron, straight centrifugal pump. Includes 6 spline 1000 RPM PTO quick coupler. Designed for TERRAMASTER sprayer on Cushman truckster. **Pump Order Number HY94012**
 (This pump replaces the obsoleted 94002, 94004, 94006, 94007, 94008 pumps)



PUMPS

PARTS BREAKDOWN FOR HY-94012 PUMP

Ref.	Order No.	Qty	Description	Ref.	Order No.	Qty	Description
1	HY2406-0007	4	Drain plug	26	HY1810-0031	1	Retainer ring, driver pulley
2	HY0150-9000C	1	Pump casing, includes stainless steel wear ring	28	HY0555-9400F1	1	Shaft
3	HY2253-0002	1	Impeller nut	28A	HY3250-0004	3	Locking ball, nylon
4	HY0401-9100P	1	Impeller, white nylon	28B	HY1900-0115	1	Collar spring
	HY0402-9100P		Impeller, black polypropylene	28C	HY1400-0021	1	Collar, sleeve
5	HY1720-0083	1	O-ring	30	HY3115-0034	1	Driven pulley, 5/8" dia. bore
6	HY2120-0009	1	Mechanical seal, viton, NLA	31	HY2230-0003	2	Set screw for driven pulley
	HY2120-0032		Silicon mechanical seal, available in kit - see HY3430-0589	32	HY0706-9400C	1	Idler bracket (c.i. pumps)
	HY3430-0589		Optional silicon mechanical seal kit	33	HY2405-0003	1	Grease zerk fitting
7	HY1830-0040	1	Seal retainer NLA	34	HY1810-0036	1	Retaining ring (idler bracket)
8	HY1410-0056	1	Slinger ring	35	HY3115-0036	1	Idler pulley
9	HY0750-9200C4	1	Black mounting flange	36	HY1410-0095	1	Spacer, idler/pulley
10		1	Name plate, specify pump series	37	HY1820-0013	1	Retaining ring, idler pulley
11	HY2210-0020	4	Bolt	38	HY1900-0156	1	Torsion spring, idler for cast iron
12	HY2000-0010	3	Ball bearing	39	HY2210-0111	1	Idler bolt/shaft
13	HY1610-0015	1	Key	40	HY2840-0075	1	Belt shield
14	HY0505-9200	1	Pump shaft	41	HY2840-0076	1	Belt shield
15	HY1610-0004	1	Key	42	HY1520-0062	1	Bracket for belt shield
16	HY1820-0013	1	Bearing retainer	43	HY2210-0021	1	Attachment bolt for shield
17	HY1700-0100	1	Gasket	44	HY2240-0017	4	Assembly bolts
18	HY0703-9400D	1	Pedestal bracket	45	HY2252-0002	4	Assembly nuts for shield
19	HY2001-0006	2	Driver shaft bearings	46	HY3100-0005	1	1000 rpm poly v-belt
20	HY1810-0012	1	Driver shaft bearing retainer ring	47	HY2210-0055	2	Bolts for pump to bracket
21	HY1410-0094	1	Bearing spacer	48	HY2260-0006	2	Lock washers for bolts
22	HY2840-0053	1	SHield Bearing	49	HY1600-0070	2	Roll pin
23	HY1820-0032	1	Bearing bore retainer ring				Repair kit - consists of poly v-belt, o-ring, mechanical seal and gasket
24	HY3115-0032	1	Driver pulley, 1000 RPM		HY3430-0477		Repair kit - consists of mechanical seal, o-ring & gasket
25	HY1610-0033	1	Woodruff Key		HY3430-0332		

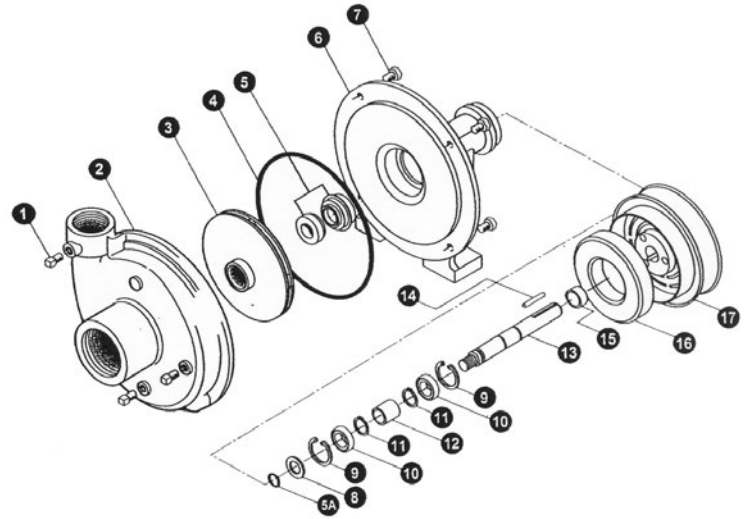
ACE ACCUMASTER CENTRIFUGAL PUMP

For John Deere AccuMaster sprayers built BEFORE the fall of 1995

Ace mechanical seal centrifugal pump with magnetic clutch. **Order Number AC47040**

ACCUMASTER PARTS LIST FOR DRIVE SHAFT & PULLEY

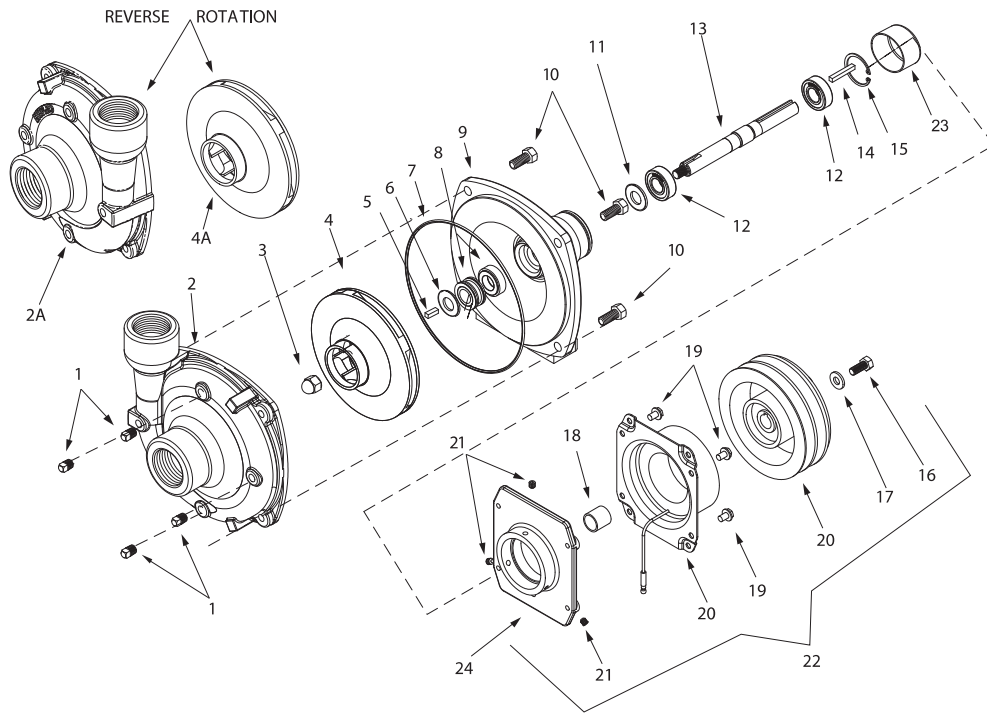
Ref.	Part No.	Qty.	Description
1	AC41110	3	Pipe plug, 1/8" NPT
2	AC40250	1	Volute 1 1/4" x 1", cast iron
3	AC40430	1	Impeller
4*	AC40005	1	O-ring for volute seal
4*	AC40010	1	Gasket, 4 hole
5	AC40152		Opt. silicone carbide mechanical seal (in lieu of AC40141)
5A	AC40160	1	O-ring for shaft
6	AC40285	1	Mounting frame machined To accept magnetic clutch
7	AC40930	4	Cap Screw, st. steel
7	AC40950	4	Cap Screw
8	AC41130	1	Slinger
9	AC40810	2	Snap ring, internal
10	AC40870	2	Bearing for driven shaft
11	AC40790	2	Snap ring, external, for driven shaft
12	AC40795	1	Spacer for shaft
13	AC40070	1	5/8" driven shaft, left hand thread
14	AC41080	1	Key
15	AC41477	1	Spacer, clutch
16	AC41476	1	Coil Ring, 12 volt, DC Activated
17	AC41479	1	5 1/4" pulley assembly complete with bearing & clutch driver
	AC052700		Repair kit include Seal 40151, O-Ring 40005
	AC41475		Magnetic clutch assembly, includes AC41476, AC41477 and AC41479



PUMPS

HYPRO CAST IRON CLUTCH DRIVEN FOR ACCUMASTER UPDATE

Series 9263C-C



PUMPS

Ref.	Qty.	Part No.	Description
1	4	HY2406-0007	Drain Plug
2	1	HY0150-9000C	Pump Casing
2A	1	HY0152-9000C	Pump Casing (Reverse)
3	1	HY2253-0002	Impeller Nut
4A	1	HY0404-9100P	Impeller (Reverse)
5	1	HY1610-0015	Key
6	1	HY1700-0100	Gasket
7	1	HY1720-0083	O-Ring
8	1	HY2120-0008	Mechanical Seal NLA
8	1	HY2120-0009	Mechanical Seal Viton, NLA
9	1	HY0750-9200C3	Mounting Flange
10	4	HY2210-0020	Bolt
11	1	HY1410-0056	Slinger Ring

Ref.	Qty.	Part No.	Description
12	2	HY2000-0010	Ball Bearing
13	1	HY0505-9200	Pump Shaft
14	1	HY1610-0004	Key
15	1	HY1820-0013	Bearing Retainer
16	1	HY2210-0003	Bolt
17	1	HY2270-0092	Retainer Washer
18	1	HY1410-0107	Spacer
19	4	NA	Bolt (part of clutch assembly)
20	1	HY2526-0012	Clutch
21	3	HY2230-0001	Set Screw
22	1	HY3430-0592	Clutch Kit
23	1	HY2300-0025	Protective Cover
24	1	HY0753-9200C	Mounting Bracket

Order Information

ModelNumber	Max GPM	Max PSI	Max RPM	Rotation
9263C-C†	140	170	5000	CCW

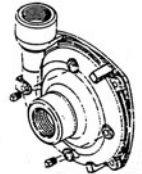
† Universal Flange (220x200) - Add Suffix "U" (i.e.: 9263C-CU)

ACCUMASTER KIT Order Item 2797-KIT

Kit includes Hypro 9263C-C pedestal centrifugal pump with magnetic clutch, ZZ2AK64H sheave, ZZH-1 pulley bushing and two ZZA29 v-belts.

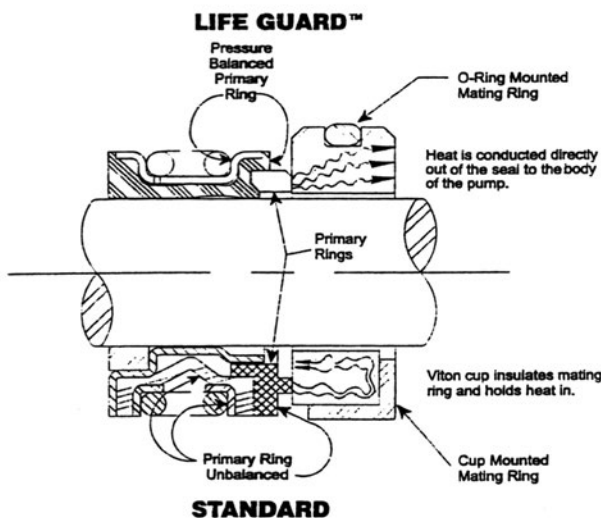
HYPRO'S 9200 SERIES STAINLESS STEEL CENTRIFUGAL PUMPS, PEDESTAL-MOUNT MODELS FEATURING LIFE GUARD* SILICON CARBIDE SHAFT SEAL

Order No.	Max. GPM	Max. PSI	Max. RPM	Description
HY9202S	105	170	6000	Pedestal mount, stainless steel pump with 5/8" solid shaft and Life Guard* silicon carbide shaft seal. Ports (NPT) 1 1/4" inlet, 1" outlet.
HY9203S	136	170	6000	Pedestal mount, 316 stain. steel pump with 5/8" solid shaft and Life Guard* silicon carbide shaft seal. Ports (NPT) 1 1/2" inlet, 1 1/4" outlet.
HY9203S-R	136	170	6000	Pedestal mount, clockwise rotation, 316 stain. steel pump with 5/8" solid shaft and Life Guard* silicon carbide shaft seal. Ports (NPT): 1 1/2" inlet, 1 1/4" outlet.



PUMPS

Side by Side Comparison



HYPRO'S LIFE GUARD* SILICON CARBIDE SEAL

Up to 8 times longer life than ceramic seals when used in abrasive solutions.

Up to 21 times more dry run survivability than ceramic seals.

Pressure balanced design allows for lighter spring loads and lower running temperatures resulting in a longer overall seal life.

Available as a drop-in replacement for existing 9200, 9300, 9400 series cast iron and stainless steel Hypro pumps. **Kit Number HY3430-0589**

*Life Guard is a registered trademark of Hypro

CLEANLOAD - CHEMICAL EDUCTOR

Hypro's Cleanload is a self-contained eductor system that allows the operator to mix liquid and dry chemical safely and quickly. 316 stainless steel venturi provides highest eduction rate and durability against all chemicals. Eduction rates as fast as only 1 second per gallon. Chemical spill potential is reduced, minimizing operator and environmental exposure. Available in 4.5 or 5 gallon hoppers. Can be used for mixing liquid or dry flowable chemicals.

Order Number HY3375P-05T4 Chemical Eductor with 4.9 gallon hopper.

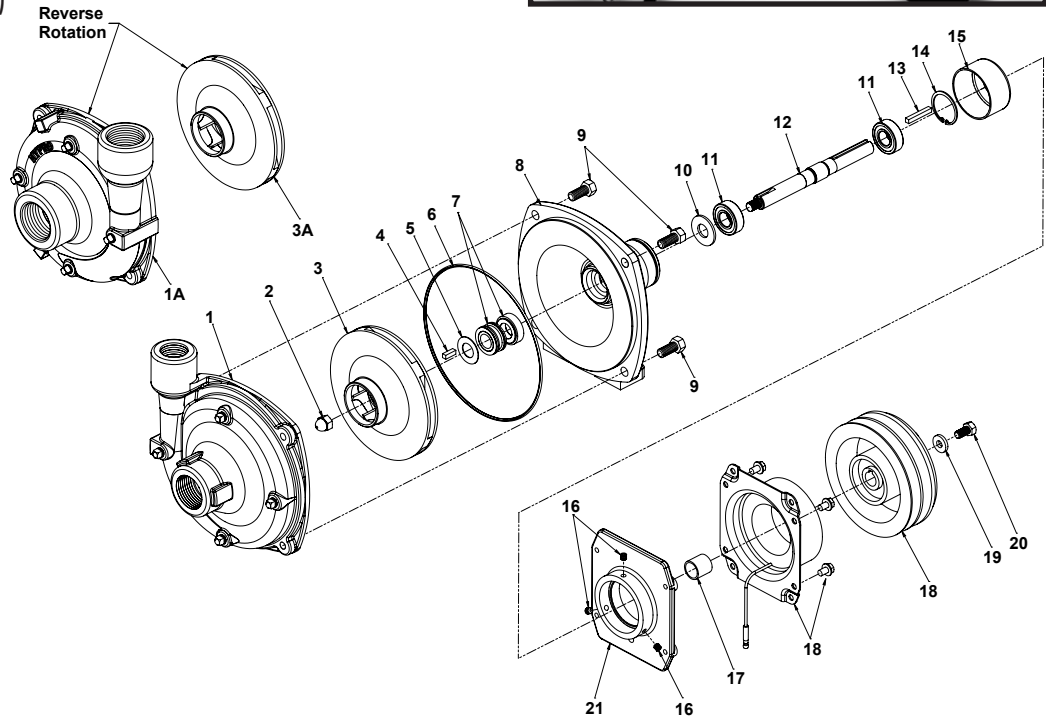
Order Number HY3375P-05T5 Chemical Eductor with 5.8 gallon hopper.



HYPRO CAST IRON PEDESTAL MOUNT

Series 9202C - Used on Fairway LX Sprayers

- Pedestal Mount
- Port Sizes: 1 1/4" NPT inlet, 1" NPT outlet
- Max. fluid temperature: 140°F/60°C
- Impeller: Nylon (cast iron standard;)
- Pump shaft rotation: CCW
- Weight: 18 lbs./8.2 kg.
- Pump seals: Viton/ceramic standard (Life Guard® silicon carbide (B) and Buna-N ceramic available)



Ref.	Qty.	Part No.	Description
1	1	HY0150-9200C	Pump Casing
2	1	HY2253-0002	Impeller Nut-Cast Series
3	1	HY0401-9100P	Impeller, Nylon
4	1	HY1610-0015	Key
5	1	HY1700-0100	Gasket
6	1	HY1720-0083	O-Ring
7	1	HY2120-0009	Mechanical Seal

Ref.	Qty.	Part No.	Description
8	1	HY0750-9200C3	Mounting Flange
9	4	HY2210-0020	Head Hex Cap Screw
10	1	HY1410-0056	Slinger Seal
11	1	HY2000-0010	Ball Bearing
12	1	HY0505-9200	Shaft
14	1	HY1820-0013	Bearing Retainer
15	1	HY2300-0025	Protective Cover

Order Information

ModelNumber	Max GPM	Max PSI	Max RPM	Shaft Output
9202C	103	170	6000	5/8" solid shaft

9202C

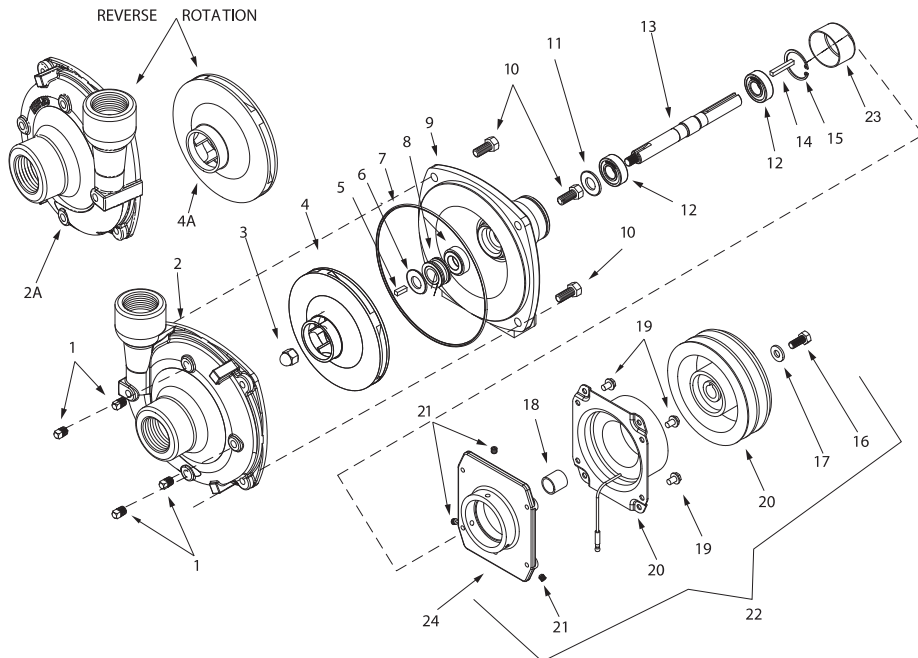
U.S. Units

RPM	10 PSI		20 PSI		40 PSI		60 PSI		80 PSI		100 PSI		120 PSI		140 PSI	
	GPM	HP	GPM	HP	GPM	HP	GPM	HP	GPM	HP	GPM	HP	GPM	HP	GPM	HP
2400	50	1.3	46	1.2												
3600	67	3.7	66	3.7	62	3.5	34	2.6								
4200	75	5.7	75	5.7	75	5.7	66	5.3	44	4.2						
5000	88	9.3	88	9.3	88	9.3	88	9.3	77	8.6	60	7.5	24	6.4		
6000	103	15.6	103	15.6	103	15.6	103	15.6	103	15.6	100	15.5	91	14.8	75	14

HYPRO CAST IRON PEDESTAL MOUNT

Series 9203C

- Pedestal Mount, direct drive
- Port Sizes: 1 1/2" NPT inlet, 1 1/4" NPT outlet
- 220x200 Universal flange avail.
- Impeller: Nylon (cast iron standard;)
- Pump shaft rotation: CCW
- Weight: 19 lbs./8.6 kg
- Pump seals: Viton/ceramic standard (Life Guard® silicon carbide (B) and Buna-N ceramic available)



PUMPS

Ref.	Qty.	Part No.	Description
1	4	HY2406-0007	Drain Plug
2	1	HY0150-9000C	Pump Casing
2A	1	HY0152-9000C	Pump Casing (Reverse)
3	1	HY2253-0002	Impeller Nut
4	1	HY0401-9100P	Impeller (Nylon)
4A	1	HY0404-9100P	Impeller (Reverse)
5	1	HY1610-0015	Key
6	1	HY1700-0100	Gasket
7	1	HY1720-0083	O-Ring
8	1	HY2120-0008	Mechanical Seal NLA
8	1	HY2120-0009	Mechanical Seal, NLA
9	1	HY0750-9200C3	Mounting Flange Viton
10	4	HY2210-0020	Bolt
11	1	HY1410-0056	Slinger Ring

Ref.	Qty.	Part No.	Description
12	2	HY2000-0010	Ball Bearing
13	1	HY0505-9200	Pump Shaft
14	1	HY1610-0004	Key
15	1	HY1820-0013	Bearing Retainer
16	1	HY2210-0003	Bolt
17	1	HY2270-0092	Retainer Washer
18	1	HY1410-0107	Spacer
19	4	NA	Bolt (part of clutch assembly)
20	1	HY2526-0012	Clutch
21	3	HY2230-0001	Set Screw
22	1	HY3430-0592	Clutch Kit
23	1	HY2300-0025	Protective Cover
24	1	HY0753-9200C	Mounting Bracket

Order Information

ModelNumber	Max GPM	Max PSI	Max RPM	Shaft Output
9203C†	140	170	6000	5/8" solid shaft

† Universal Flange (220x200) - Add Suffix "U" (i.e.: 9203C-U)

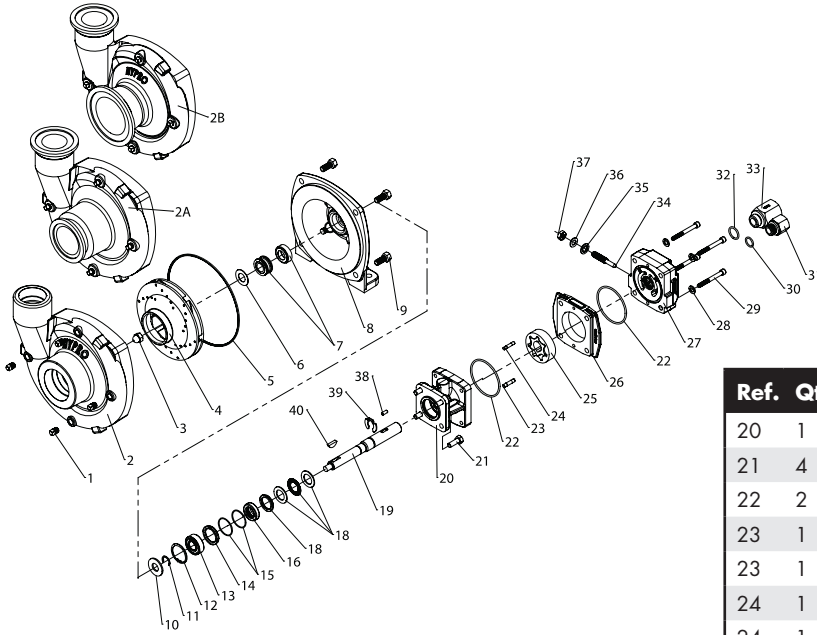
9203

U.S. Units

RPM	10 PSI		20 PSI		40 PSI		60 PSI		80 PSI		100 PSI		120 PSI		140 PSI	
	GPM	HP	GPM	HP	GPM	HP	GPM	HP	GPM	HP	GPM	HP	GPM	HP	GPM	HP
2400	80	1.9	65	1.8												
3600	105	5.3	105	5.3	92	5.0	50	3.7								
4200	122	8.2	120	7.9	115	7.7	98	7.1	56	5.3						
5000	140	12.6	140	12.6	138	12.6	130	12.2	118	11.6	88	9.9	45	7.2		
5500	140	14.9	140	14.9	138	14.9	135	15.2	130	15.2	118	14.4	90	12.5	60	9.8
6000	140	17.1	140	17.1	140	17.5	140	18.0	135	18.2	132	18	125	18.2	103	16.3

HYPRO CAST IRON HYDRAULICALLY-DRIVEN

Series 9306C



**AS USED ON THE
BROYHILL SILVERWING!**

PUMPS

Ref.	Qty.	Part No.	Description
1	4	HY2406-0007	Drain/Vent Plug
2	1	HY0154-9200C1	Pump Casing
2A	1	HY0157-9200C	Pump Casing (Universal Flange 220x200)
2B	1	HY0158-9200C	Pump Casing (Universal Flange 220x200 Cast)
3	1	HY2253-0002	Impeller Nut
4	1	HY0401-9200P	Impeller (Nylon Std.)
5	1	HY1720-0083	O-Ring
6	1	HY1700-0100	Gasket
7	1	HY2120-0009	Mechanical Seal (Viton/Ceramic), NLA
8	1	HY0750-9300C2	Mounting Flange
9	4	HY2210-0020	Hex Head Cap Screw
10	1	HY1410-0056	Slinger Ring
12	1	HY1810-0014	Snap Ring
13	1	HY2000-0010	Ball Bearing
14	1	HY1410-0131	Cartridge, Front
15	2	HY1720-0268	O-Ring
16	1	HY2104-0010	Lip Seal - oBS.USE 3430-0748
17	1	HY1410-0130	Seal Spacer
18	1	HY2029-0014	Thrust Bearing Assembly
19	1	HY0533-2500	Shaft (HM1C/HM5C)

Ref.	Qty.	Part No.	Description
20	1	HY0150-2500C	Motor Body (includes needle bearing)
21	4	HY2210-0005	Hex Head Cap Screw
22	2	HY1720-0010	O-Ring
23	1	HY1600-0044	Dowel Pin (HM1C/HM5C)
23	1	HY1600-0052	Dowel Pin (HM3C)
24	1	HY1600-0037	Dowel Pin (HM1C/HM5C)
24	1	HY1600-0068	Dowel Pin (HM3C)
25	1	HY3900-0022	Gerotor (HM1C)
26	1	HY0700-2500C1	Gerotor Housing (HM1C Models) 1/4" wide
26	1	HY0702-2500C1	Gerotor Housing (HM3C Models) 1/2" wide
27	1	HY0254-2500C2	Motor End Plate (includes needle bearing)
28	4	HY2270-0039	Washer
29	4	HY2220-0021	Cap Screw (HM1C Models)
29	4	HY2220-0044	Cap Screw (HM3C Models)
29	4	HY2220-0032	Cap Screw (HM5C Models)
30	1	HY1720-0108	O-Ring
31	1	HY3360-0021A	Pressure Port Adapter (includes O-Ring)
32	1	HY1720-0262	O-Ring
33	1	HY3320-0051A	Tank Port Adapter (includes O-Ring)
34	1	HY3220-0029	Bypass Adjusting Screw
35	1	HY1700-0047	Gasket
36	1	HY2270-0027	Washer
37	1	HY2250-0038	Lock Nut
38	1	HY1610-0031	Roll Pin (HM1C-HM5C)
38	1	HY1610-0055	Roll Pin (HM3C)
39	1	HY1810-0026	Snap Ring
40	1	HY1610-0012	Woodruff Key

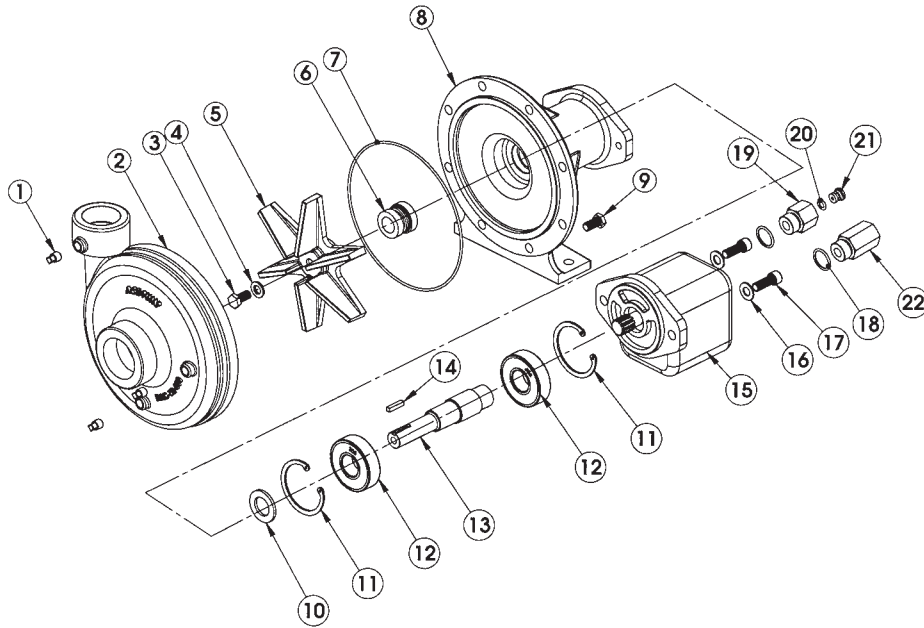
Order Information

ModelNumber	Max GPM	Max PSI	Description
9306C-HM1C-BU	114	130	Centrifugal pump with 13 gpm hydraulic pump for open/closed systems life guard silicone seal & universal fl nge

ACE HIGH PERFORMANCE HYDRAULIC MOTOR DRIVEN CENTRIFUGAL PUMP

FMC-650F-HYD (Order number AC 49954)

PUMPS



- **Suction 1-1/2" NPT**
- **Discharge 1-1/4" NPT**
- **High Performance Pump**
 - Maximum Flow 140 GPM (530 LPM)
 - Maximum Pressure 160 PSI (11 BAR)
 - Modified Impeller Design for Higher Pressure at Lower RPM
- **Maximum Reliability**
 - Operates at Lower RPM for Longer Life
 - Oversized Bearings
 - E-coat Corrosion Protection
 - Stainless Steel Shaft with Splined Motor Connection
 - High Efficiency 4000 PSI (275 BAR) Pressure Plated Gear Motor

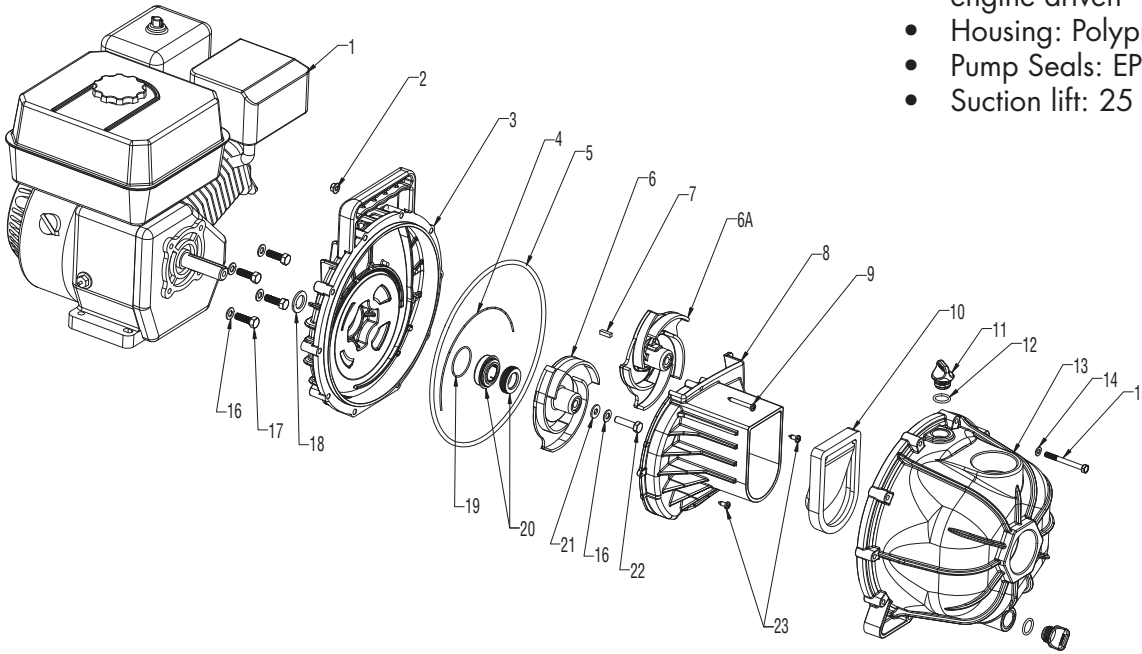
Ref. Qty.	Part No.	Description
1	3 AC41110	Pipe plug, 1/8" NPT, square head
1	3 AC41120	Pipe plug, 1/8" NPT, hex head, stainless steel (optional)
2	1 AC30159	Volute, 1-1/2" NPT x 1-1/4" NPT, cast iron, e-coated(standard)
3	1 AC40930	Cap screw, 3/8" NC x 3/4" hex head, stainless steel
4	1 AC30029	Washer, 3/8" O.D., sealing, stainless steel
5	1 AC30169	Impeller, cast iron, e-coated
6	1 AC40145	Impeller, stainless steel (optional)
6	1 AC40146	Seal, carbon/ceramic/Viton®, 3/4"
7	1 AC40015	O-ring, volute seal
8	1 ACB40325	Mounting frame, cast iron, e-coated
9	8 AC40950	Cap screw, 3/8" NC x 3/4" hex head
10	1 ACBAC-54-650	Slinger, 1.5" OD x 7/8" ID
11	2 AC41132	Snap ring, internal, mounting frame
12	2 AC40875	Bearing, FMC-650 models

Ref. Qty.	Part No.	Description
13	1 AC40051	Shaft, 1.13" dia., 11T female spline, stainless steel
14	1 AC41085	Key, .188 x .188 x .875, FMC-650 models
15	1 AC41359	Motor, hydraulic, pressure plated gear
16	2 AC42701	Washer, 3/8"
17	2 AC41907	Cap screw, 3/8" NC x 1", socket head
18	2 AC41445	O-ring, #10 SAE fitting
19	1 AC41446	Body, adapter/restrictor, #10 SAE male x 1/2" NPT female
20	1 AC41448	O-ring, restrictor insert
21	1 AC41447	Restrictor orifice insert, .125
22	1 AC41442	Reverse check, #10 SAE male x 1/2" NPT female
1	— AC52720	Repair kit, carbon/ceramic/Viton® seal, FMC-650 models Repair kit, silicon carbide/Viton® seal, FMC-650 models
2	— AC52721	Repair kit, silicon carbide/Viton® seal, FMC-650 models

HYPRO TRANSFER PUMP - 2 in. POLYPROPYLENE

Series 1542P

- Hydraulic or close-coupled, gas engine driven
- Housing: Polypropylene
- Pump Seals: EPDM Mechanical
- Suction lift: 25 ft./7.62 m



Ref.	Qty.	Part No.	Description
1	1	HY2541-0043	5.5 HP PowerPro Gas Engine
1A	1	HY2541-0045	6.5 HP PowerPro Gas Engine
2	10	HY2250-0087	Hex Flange Nut, M6
3	1	HY0750-1540P	Mounting Flange
4	1	HY1700-0209	Diffuser Gasket
5	1	HY1720-0229	Pump Body O-Ring
6	1	HY0400-1540P	3 Vane Impeller
6A	1	HY0401-1540P	5 Vane Impeller
7	1	HY1610-0044	Key 3/16 X 5/8 SS
8	1	HY0150-1540P	Diffuser
9	1	HY2210-0144	Diffuser Mounting Screw (Long)
10	1	HY1700-0208	Flapper Valve
11	2	HY2404-0350P	Fill/Drain Plug

Ref.	Qty.	Part No.	Description
12	2	HY2830-0035	Plug O-Ring NLA
13	1	HY0100-1540P	Pump Housing
14	10	HY2270-0115	Flat Washer 6M
15	10	HY2210-0141	Bolt 6M X1 X60
16	5	HY2270-0114	Washer 5/16 SS
17	4	HY2210-0143	Mounting Bolt 5/16-24 X 1
18	1	HY1410-0083	Slinger Ring
19	1	HY1720-0231	Seal O-Ring
20	1	HY2120-0044	Mechanical Seal
21	1	HY1700-0210	Impeller Gasket
22	1	HY2210-0142	Impeller Bolt 5/16-24 X 1-1/4
23	2	HY2210-0145	Diffuser Mounting Screw

Order Information

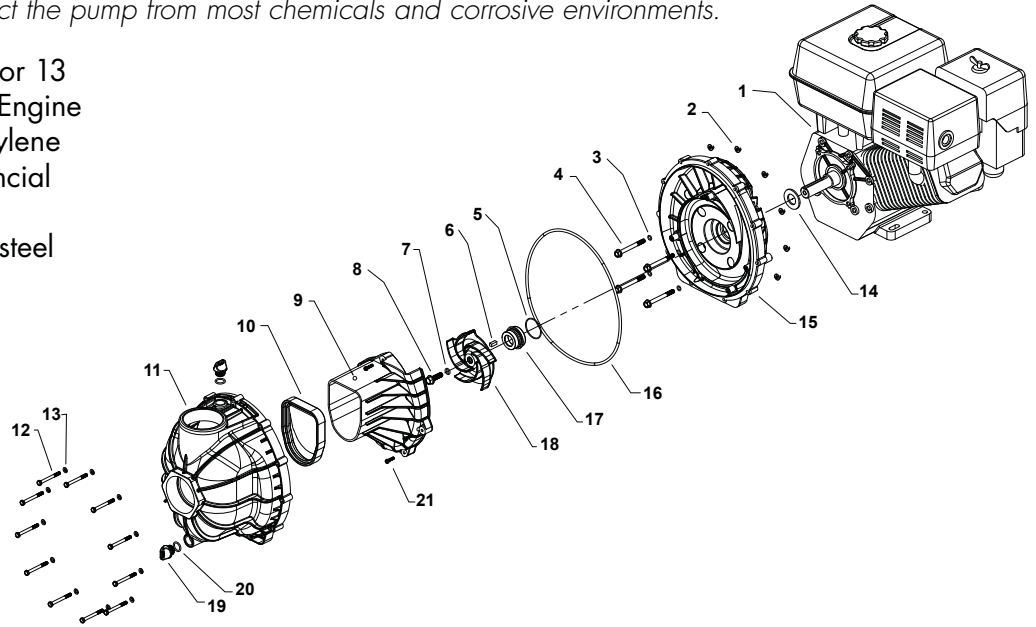
Model Number	Max GPM	Max PSI	Port Size	Engine Mfgr. & HP
1542P-55SP	150	58	2" x 2"	PowerPro™ 5.5 hp
1542P-65SP	200	58	2" x 2"	PowerPro™ 6.5 hp
3430-0690	Pump head kit for 1542P-55SP series with EPDM seal			
3430-0691	Pump head kit for 1542P-65SP series with EPDM seal			
3430-0636	EPDM seal kit			

HYPRO TRANSFER PUMP - 3 in. POLYPROPYLENE

Series 1543P

Achieve the highest performance available in a 3" poly transfer pump (up to 440 GPM) with the highest efficiency and horsepower on the market. Ideal for nurse tank transfer and other closed system applications, this pump was specifically designed to work with 9 and 13 HPPowerPro™ engines and will fit on standard SAE j609a flanged engines between 8 and 18 HP. The polypropylene housing and EPDM elastomers protect the pump from most chemicals and corrosive environments.

- Powered by field proven 9 or 13 HP Hypro PowerPro™ EPA Engine
- Housing: 3" X 3" Polypropylene
- Pump Seals: EPDM Mechanical
- Suction lift: 25 ft./7.62m
- Poly impeller with stainless steel insert



Ref.	Qty.	Part No.	Description
1	1	HY2543-0047	9 HP Engine, Manual Start - NLA
1	1	HY2543-0056	9 HP Engine, Electric Start - NLA
1A	1	HY2543-0048	13 HP Engine, Manual Start - NLA
1A	1	HY2543-0049	13 HP Engine, Electric Start - NLA
2	11	HY2250-0087	Hex Flange Nut
3	4	HY1723-0149	O-Ring
4	4	HY2210-0182	Hex Flange Bolt
5	1	HY1723-0148	O-Ring
6	1	HY1610-0069	Key (Square)
7	1	HY1723-0142	O-Ring
8	1	HY2210-0181	Hex Flange Bolt
9	1	HY0150-1543P	Pump Volute

Ref.	Qty.	Part No.	Description
10	1	HY1700-0232	Flapper Valve - NLA
11	1	HY0100-1543P	Pump Housing
12	11	HY2210-0141	Hex Head Cap Screw
13	11	HY2270-0115	Flat Washer
14	1	HY1410-0091	Slinger Ring
15	1	HY0750-1543P	Back Plate
16	1	HY1723-0146	O-Ring
17	1	HY2120-0055	Mechanical Seal
18	1	HY0400-1543P	Impeller
19	2	HY2404-0350P	Fill/Drain Plug
20	2	HY1720-0230	O-Ring
21	4	HY2210-0183	Hex Washer Head Screw

Order Information

Model Number	Max GPM	Max PSI	Port Size	Engine Mfg. & HP
1543P-90SP	373	54	3" x 3"	PowerPro™ 9 hp
1543P-90ESP	373	54	3" x 3"	PowerPro™ 9 hp w/elec. start
1543P-130SP	440	58	3" x 3"	PowerPro™ 13 hp
1543P-130ESP	440	58	3" x 3"	PowerPro™ 13 hp w/elec. start
3430-0692	Pump head kit for 1543P series with EPDM seal			
3430-0757	EPDM seal kit for 1543P series			

PUMPS

HYPRO MEDIUM PRESSURE, 2 DIAPHRAGM PUMP

Models 9910-D252, D252GRGI, D252GRGI58, & D252GRGIAP



- Max. fluid temperature: 140°F/60°C
- Diaphragms: 2, semi-hydraulic
- Housing: anodized aluminum
- Mounting base: included
- Weight: 14 lbs./6.4 kg (GRGI models); 12 lbs./5.4 kg (D252)

PUMPS

Order Information

Model Number	Max GPM	Max PSI	Max RPM	Port Size	Shaft Output
HY9910-D252	6.5	290	650	1-1/4" HB inlet, 1" HB outlet	3/4" solid keyed shaft
HY9910-D252GRGI	6.5	290	2800	3/4" HB inlet, 3/8" HB outlet	3/4" hollow shaft
HY9910-D252GRGI58	5.5	290	3600	3/4" HB inlet, 3/8" HB outlet	5/8" hollow shaft
HY9910-D252GRGIAP	6.5	290	2800	3/4" HB inlet, 3/8" HB outlet	3/4" hollow input with 5/8" output shaft

Model D30GRGI



- Max. fluid temperature: 140°F/60°C
- Shaft: flanged for shaft kit (D30); flanged w/ 3/4" shaft ext. (D30AP-A); 3/4" hollow shaft for gas engine mount (D30GRGI)
- Diaphragms: 2, semi-hydraulic
- Housing components for liquid handling: epoxy-coated
- Weight: 23 lbs./10.4 kg (D30); 33 lbs./15.0 kg (D30GRGI and D30-B-GRGI); 24 lbs./10.9 kg (D30AP-A)
- Pump shaft rotation: CW and CCW

Order Information

Model Number	Max GPM	Max PSI	Max RPM	
HY9910-D30GRGI	9.6	580	3600	Assembled with gearbox HY9910-KIT1640 and control 9910-GS40GI for mounting on 5 hp gas engine

HYPRO MEDIUM PRESSURE, 2 DIAPHRAGM PUMP

Model 9910-D50



- Max. fluid temperature: 140°F/60°C
- Shaft: flanged for shaft kit (D50); flange w/1" shaft ext. (D50AP-A)
- Diaphragms: 2, full-hydraulic (D50-B has Buna diaphragms)
- Housing components for liquid handling: epoxy coated
- Weight: 35 lbs./15.9 kg
- Pump shaft rotation: CW and CCW

PUMPS

Order Information

Model Number	Max GPM	Max PSI	Max RPM	Port Size
HY9910-D50	14.8	580	550	1-1/4" HB inlet, 1/2" HB outlet

HYPRO MEDIUM PRESSURE, 3 DIAPHRAGM PUMP

Model 9910-D503



- Max. fluid temperature: 140°F/60°C
- Shaft: flanged adapter (D503); 1" hollow shaft for gas engine mount (D503GRGI)
- Diaphragms: 3, semi-hydraulic
- Housing: anodized aluminum
- Mounting base: included
- Weight: 28 lbs./12.7 kg
- Pump shaft rotation: CW and CCW

Order Information

Model Number	Max GPM	Max PSI	Max RPM	Drive and Control Unit
HY9910-D503	14.3	580	550	-----

HYPRO DIAPHRAGM KITS & APPLICATIONS

Hypro Pump Oil



Part Number	Description	Weight
HY2160-0038	1 quart of specially-formulated pump oil	2 lbs.
HY2160-0047	1 gallon of specially-formulated pump oil	9 lbs.
HY2160-0048	2 ½ gallons of specially-formulated pump oil	22 lbs.

All Hypro Plunger Pumps are shipped with oil. To optimize pump life, Hypro recommends an oil change after 40 hours of break-in operation and every three months or 500 hour intervals thereafter. Use only Hypro oil.

1 3/8"-6 Spline Female PTO Kits



Part Number	Description	Weight
HY9910-KIT1704	For Model HY9910-D50, D30, D303 and D403 pumps	7 lbs./3.2 kg
HY9910-KIT1708	For Model HY9910-D70 and D115 pumps	5.25 lbs./2.4 kg
HY9910-KIT2204	For Model HY9910-D503, D813, D1064 and D1265 pumps	7 lbs./3.2 kg

Kit includes a female PTO coupler and retaining clamp, torque arm and mounting bracket, chains and necessary hardware.

1 3/8"-6 Spline Male PTO Kits



Part Number	Description	Weight
HY9910-KIT1702	For Model HY9910-D50, D30, D303 and D403 pumps	3 lbs./1.4 kg
HY9910-KIT1706	For Model HY9910-D50 pump	4.25 lbs./1.9 kg
HY9910-KIT1710	For Model HY9910-D70 and D115 pumps	5.5 lbs./2.5 kg
HY9910-KIT2200	For Model HY9910-D503, D303 and D403 pumps	4.25 lbs./1.9 kg
HY9910-KIT2201	For Model HY9910-D813, D1064 and D1265 pumps	4.25 lbs./1.9 kg

Kit includes a male PTO shaft adapter, mounting bracket and necessary hardware.

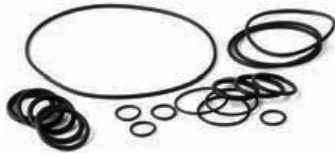
1" Solid Shaft Kits



Part Number	Description	Weight
HY9910-KIT1703	For Model HY9910-D50, D30, D303 and D403 pumps	2.5 lbs./1.1 kg
HY9910-KIT1707	For Model HY9910-D50 pump	3.75 lbs./1.7 kg
HY9910-KIT1711	For Model HY9910-D70 and D115 pumps	5 lbs./2.3 kg
HY9910-KIT2202	For Model HY9910-D503, D303 and D403 pumps	3.75 lbs./1.7 kg
HY9910-KIT2203	For Model HY9910-D813, D1064 and D1265 pumps	3.75 lbs./1.7 kg

Kit includes a male PTO shaft adapter, mounting bracket and necessary hardware.

Diaphragm Pump Repair Kits



For Pump Model	Diaphragm Kit (Desmopan)	Diaphragm Kit (Buna-N)	Valve Kit	O-Ring Kit
HY9910-D70	HY9910-KIT1720	————	HY9910-KIT2364	HY9910-KIT2365
HY9910-D115 and D135	HY9910-KIT1721	————	HY9910-KIT2370	HY9910-KIT2026
HY9910-D160	HY9910-KIT1730	————	HY9910-KIT2374	HY9910-KIT1908
HY9910-D250	HY9910-KIT1722	————	HY9910-KIT2114	HY9910-KIT1904
HY9910-D12GRGI	HY9910-KIT1882	————	HY9910-KIT1992	
HY9910-D503	HY9910-KIT1881	————	HY9910-KIT1987	HY9910-KIT1984
HY9910-D252 (all versions)	HY9910-KIT1723	————	HY9910-KIT2408	HY9910-KIT2409
HY9910-D30 (all versions)	HY9910-KIT1724	HY9910-KIT2110	HY9910-KIT1917	HY9910-KIT1916
HY9910-D50	HY9910-KIT1725	HY9910-KIT2111	HY9910-KIT1920	HY9910-KIT1919
HY9910-DBS110, DBS140, DBA110 and DBA140	————	HY9910-KIT2444	HY9910-KIT2445	HY9910-KIT2446
HY9910-DBS160, DBS200, DBA160 and DBA200	————	HY9910-KIT2456	HY9910-KIT2374	HY9910-KIT2457
HY9910-D303	HY9910-KIT2423	————	HY9910-KIT2388	HY9910-KIT2389
HY9910-D403	HY9910-KIT2423	————	HY9910-KIT2388	HY9910-KIT2389
HY9910-D813	HY9910-KIT2479	————	HY9910-KIT1963	HY9910-KIT2376
HY9910-D1064	HY9910-KIT2480	————	HY9910-KIT1964	HY9910-KIT2378
HY9910-D1265	HY9910-KIT2100	————	HY9910-KIT2024	HY9910-KIT2347
HY9910-D1554	HY9910-KIT1734	————	HY9910-KIT1965	HY9910-KIT1972
HY9910-D1516	HY9910-KIT2113	————	HY9910-KIT2053	HY9910-KIT2349

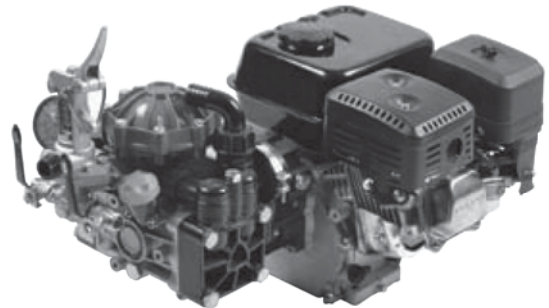
HYPRO DIAPHRAGM PUMPS

Heavy-Duty, Positive Displacement Pump and Engine Units

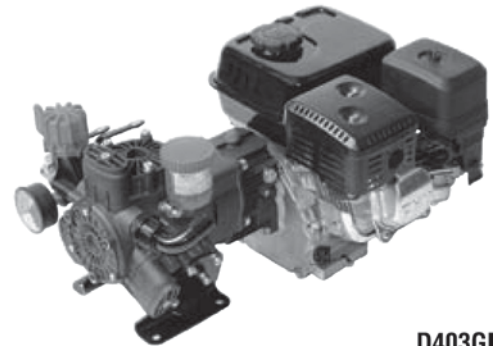
- Hypro® quality diaphragm pumps powered by field-proven PowerPro™ EPA certified engines
- Oil-bath design and premium quality synthetic diaphragms provides longer life and greater reliability
- Oil-bath design also allows pump to be run dry
- Self-priming operation
- Corrosive, abrasive and general use chemical compatibility
- Visual oil-level sight glass
- Supported with a one-year Hypro® warranty on both pump and PowerPro™ engine



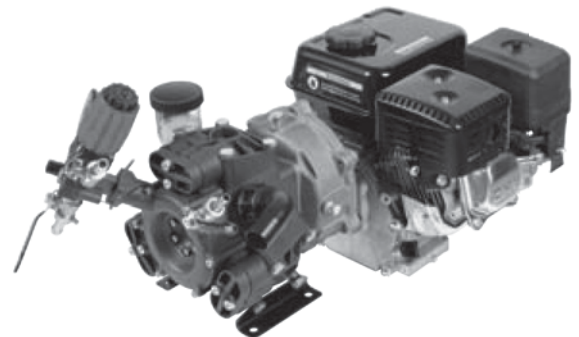
D252GRGI-25



D30GRGI-65



D403GRGI-65



D503HRGI-65

Order Information

Model Number	Max GPM	Max PSI	Max RPM	Control Unit & Gearbox	Engine Mfg. & HP
D252GRGI-25	5.9	290	3600	9910-KIT1990	PowerPro 2.5 HP
D252GRGI-55	5.9	290	3600	9910-KIT1990	PowerPro 5.5 HP
D30GRGI-65	9.6	580	3600	GS40GI and KIT1640	PowerPro 6.5 HP
D30HRGI-65	9.6	580	3600	GS40GI and 8000-0056	PowerPro 6.5 HP
D30HRGI-65E	9.6	580	3600	GS40GI and 8000-0056	PowerPro 6.5 HP w/ electric start
D403GRGI-65	9.9	580	3600	GR40 and KIT1640	PowerPro 6.5 HP
D403HRGI-65	9.9	580	3600	GR40 and 8000-0056	PowerPro 6.5 HP
D403HRGI-65E	9.9	580	3600	GR40 and 8000-0056	PowerPro 6.5 HP w/ electric start
D503HRGI-65	14.3	290	3600	GR40 and 8000-0056	PowerPro 6.5 HP
D503HRGI-65E	14.3	290	3600	GR40 and 8000-0056	PowerPro 6.5 HP w/ electric start

HYPRO GEARBOX

PUMPS

D252GRGI-25, D252GRGI-55 US Standard

GPM at 0 PSI	GPM at 72 PSI	GPM at 145 PSI	GPM at 217 PSI	GPM at 290 PSI
5.9	5.0	4.8	4.7	4.6

D252GRGI-25, D252GRGI-55 Metric

LPM at 0 BAR	LPM at 5 BAR	LPM at 10 BAR	LPM at 15 BAR	LPM at 20 BAR
22	19	18	18	17

D30GRGI-65 US Standard

GPM at 0 PSI	GPM at 145 PSI	GPM at 290 PSI	GPM at 465 PSI	GPM at 580 PSI
9.6	9.3	8.8	8.6	8.3

D30GRGI-65 Metric

LPM at 0 BAR	LPM at 10 BAR	LPM at 20 BAR	LPM at 30 BAR	LPM at 40 BAR
36	35	33	33	31

D30HRGI-65, D30HRGI-65E US Standard

GPM at 0 PSI	GPM at 145 PSI	GPM at 290 PSI	GPM at 465 PSI	GPM at 580 PSI
9.6	9.3	8.8	8.6	8.3

D30HRGI-65, D30HRGI-65E Metric

LPM at 0 BAR	LPM at 10 BAR	LPM at 20 BAR	LPM at 30 BAR	LPM at 40 BAR
36	35	33	33	31

D403GRGI-65 US Standard

GPM at 0 PSI	GPM at 145 PSI	GPM at 290 PSI	GPM at 465 PSI	GPM at 580 PSI
9.9	9.8	9.7	9.6	9.5

D403GRGI-65 Metric

LPM at 0 BAR	LPM at 10 BAR	LPM at 20 BAR	LPM at 30 BAR	LPM at 40 BAR
38	37	37	36	36

D403HRGI-65, D403HRGI-65E US Standard

GPM at 0 PSI	GPM at 145 PSI	GPM at 290 PSI	GPM at 465 PSI	GPM at 580 PSI
9.9	9.8	9.7	9.6	9.5

D403HRGI-65, D403HRGI-65E Metric

LPM at 0 BAR	LPM at 10 BAR	LPM at 20 BAR	LPM at 30 BAR	LPM at 40 BAR
38	37	37	36	36

D503HRGI-65, D503HRGI-65E US Standard

GPM at 0 PSI	GPM at 145 PSI	GPM at 290 PSI
14.3	14.1	13.8

D503HRGI-65, D503HRGI-65E Metric

LPM at 0 BAR	LPM at 10 BAR	LPM at 20 BAR
54	53	52

FEATURES & BENEFITS:

- New and improved bolt-through pinion gear helps prevent keyway fretting and ceasing
- Robust 6:1 gear design increases longevity
- Engine mounting flange designed for ease of assembly with standard tools
- Increased oil capacity reduces service time
- Available pre-assembled on HRGI models
- Mounts to D30, D50, D403 and D503 models

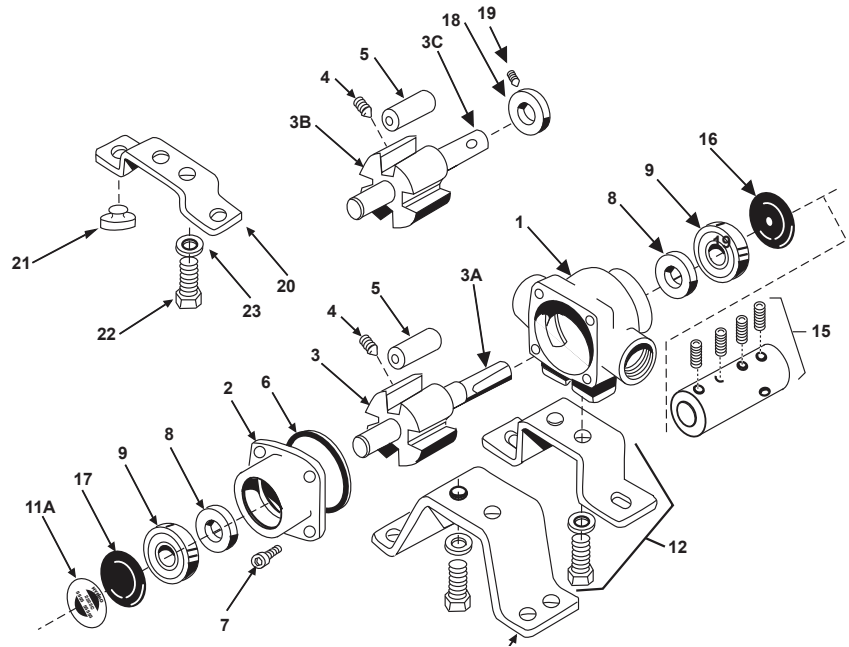


8000-0056

HYPRO CAST IRON 4-ROLLER

Series 4001

- Port size: 3/4" NPT
- Max. fluid temperature: 140°F/60°C
- Housing: Cast Iron (C), Ni-Resist (N) or Silvercast (XL)
- Pump shaft rotation: CW (CCW available)*
- Weight: 5 lbs./2.3 kg
- Rollers: Super Rollers standard [Poly (T3), Teflon (T2) and Buna-N (G) available]
- Shaft Seals: Viton standard [Buna-N (M) available]
- Special torque arm and base kit is available for gas engines
- Standard rotation directly couples to gasoline engines



PUMPS

Ref.	Qty.	Part No.	Description
1	1	HY0100-4001C	Body with Std. Seal
2	1	HY0200-4001C	Endplate with Std. Seal
3	1	HY0300-4001C	Rotor & Shaft Assembly
3A	1	HY0500-6600	Shaft Only
3C	1	HY0551-4000	Shaft Only (Hollow Shaft)
4	1	HY2230-0002	Rotor Set Screw
5	4	HY1005-0002	Super Rollers (std.)
5	4	HY1002-0002	Polypropylene Rollers (Optional)
5	4	HY1001-0002	Buna-N Rollers (Optional) NLA
5	4	HY1055-0002	Teflon Rollers (Optional)
6	1	HY1720-0104	O-Ring Gasket for Endplate
7	4	HY2220-0018	Endplate Screw
8	2	HY2107-0002	Viton Seal (std.)
8	2	HY2107-0001	Buna-N Seal (Optional) NLA
8	2	HY2102-0001T	Teflon Coated Buna-N Seal (Opt)
9	2	HY2000-0010	Ball Bearing (high temp grease)
11A	1		Name Plate (Specify pump #)

Ref.	Qty.	Part No.	Description
12	1	HY3420-0024	Base Kit - Sold Separately - Includes: 1 Base, 2 Bolts, and 2 lock washers for mounting pump to electric motors w/3-1/2 centerline
13	1	HY3420-0025	Base Kit - Sold Separately - Includes: 1 Base, 2 Bolts, and 2 lock washers for mounting pump to electric motors/gas engines w/4-3/16 centerline
15	1 kit	HY1320-0016	Adapter with 4 set screws for gas engine mount (5/8" x 5/8" - sold separately)
15	1 kit	HY1320-0015	Adapter (5/8" x 3/4")
16	1	HY2300-0023	Shaft Bearing Cover
17	1	HY2300-0021	Bearing Cover
18	1	HY1420-0001	Locking Collar
19	1	HY2230-0001	Set Screw
20	1	HY1510-0054	Base - Sold Separately
21	2	HY1450-0003	Bumper - Sold Separately
22	2	HY2210-0003	Bolt - Sold Separately
23	2	HY2260-0002	Lock Washer - Sold Separately

Order Information

Model Number	Max GPM	Max PSI	Max RPM	Shaft Output
4001C	9.1	150	1800	5/8" solid shaft
4001C-H	9.1	150	1800	1/2" hollow shaft
4001N	9.1	150	1800	5/8" solid shaft
4001N-H	9.1	150	1800	1/2" hollow shaft
4001XL	9.1	150	1800	5/8" solid shaft
4001XL-H	9.1	150	1800	1/2" hollow shaft

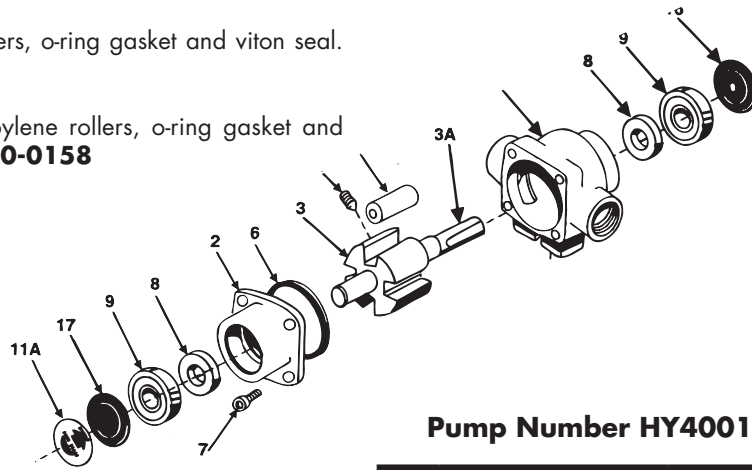
HYPRO 4001XL-R - REVERSE ROTATION 4 ROLLER SILVER SERIES PUMP

Used on Broyhill's 60 & 80 Gallon Sprayers

Repair Kit consists of super rollers, o-ring gasket and viton seal.

Order No. HY3430-0390

Repair Kit consists of polypropylene rollers, o-ring gasket and viton seal. **Order No. HY3430-0158**



Pump Number HY4001XL-R

Ref	Part No.	Qty	Description
1	HY0100-4001X	1	Body, SilverCast with std. seal
2	HY0200-4001X	1	End plate, SilverCast with std. seal
3	HY3430-0765	1	Rotor, SilverCast & shaft assembly
3A	HY0500-6600	1	Shaft only
4	HY2230-0016	1	Rotor set screw (SilverCast only)
5	HY1005-0002	4	Super rollers, std.
	HY1002-0002	4	Polypropylene rollers, optional
	HY1055-0002	4	Teflon rollers, optional
6	HY1720-0104	1	O-ring gasket for end plate
7	HY2220-0018	4	End plate screw
8	HY2107-0002	2	Viton seal, standard
	HY2102-0001	2	Buna-N seal, optional
9	HY2000-0010	2	Ball bearing
11A	HY6031-0258	1	Name plate, specify pump series
16	HY2300-0023	1	Shaft bearing cover
17	HY2300-0021	1	Bearing cover

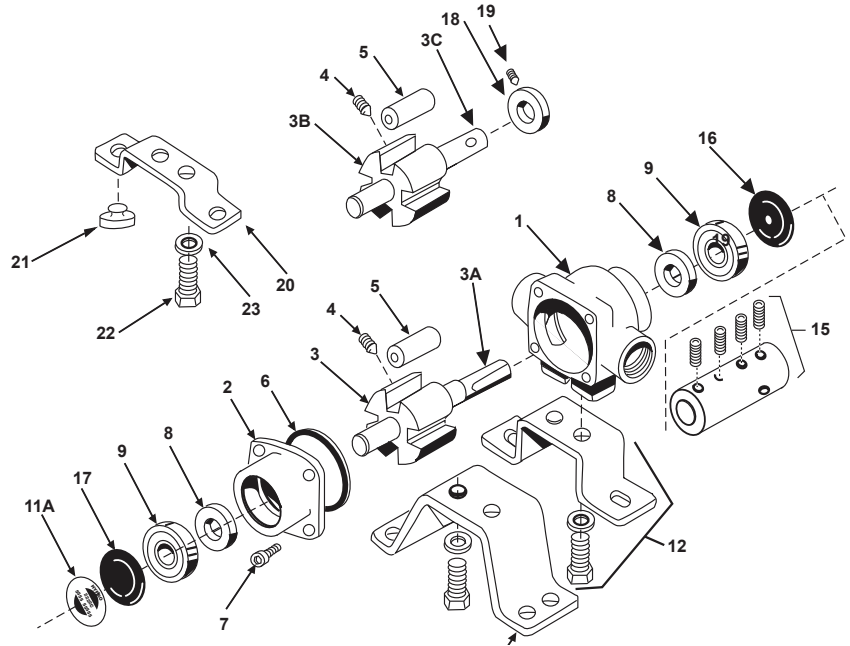


PUMPS

HYPRO CAST IRON 4-ROLLER

Series 4101

- Port size: 3/4" NPT
- Max. fluid temperature: 140°F/60°C
- Housing: Cast Iron (C), Ni-Resist (N) or Silvercast (XL)
- Pump shaft rotation: CW (CCW available)*
- Weight: 5 lbs./2.27 kg
- Rollers: Super Rollers standard [Poly (T3), Teflon (T2) and Buna-N (G) available]
- Shaft Seals: Viton standard [Buna-N (M) available]
- Special torque arm and base kit is available for gas engines
- Standard rotation directly couples to gasoline engines



PUMPS

Ref.	Qty.	Part No.	Description
1	1	HY0100-4101C	Body with Std. Seal
2	1	HY0200-4101C	Endplate with Std. Seal
3	1	HY0300-4101C	Rotor & Shaft Assembly
3A	1	HY0500-6600	Shaft Only
3C	1	HY0551-4000	Shaft Only (Hollow Shaft)
4	1	HY2230-0002	Rotor Set Screw
5	4	HY1005-0002	Super Rollers (std.)
5	4	HY1002-0002	Polypropylene Rollers (Optional)
5	4	HY1052-0002	Buna-N Rollers (Optional) NLA
5	4	HY1055-0002	Teflon Rollers (Optional)
6	1	HY1720-0104	O-Ring Gasket for Endplate
7	4	HY2220-0018	Endplate Screw
8	2	HY2107-0002	Viton Seal (std.)
8	2	HY2107-0001	Buna-N Seal (Optional) NLA
8	2	HY2102-0001T	Teflon Coated Buna-N Seal (Opt)
9	2	HY2000-0010	Ball Bearing (high temp grease)
11A	1		Name Plate (Specify pump #)

Ref.	Qty.	Part No.	Description
12	1	HY3420-0024	Base Kit - Sold Separately - Includes: 1 Base, 2 Bolts, and 2 lock washers for mounting pump to electric motors w/3-1/2 centerline
13	1	HY3420-0025	Base Kit - Sold Separately - Includes: 1 Base, 2 Bolts, and 2 lock washers for mounting pump to electric motors/gas engines w/4-3/16 centerline
15	1 kit	HY1320-0016	Adapter with 4 set screws for gas engine mount (5/8" x 5/8" - sold separately)
15	1 kit	HY1320-0015	Adapter (5/8" x 3/4")
16	1	HY2300-0023	Shaft Bearing Cover
17	1	HY2300-0021	Bearing Cover
18	1	HY1420-0001	Locking Collar
19	1	HY2230-0001	Set Screw
20	1	HY1510-0054	Base - Sold Separately
21	2	HY1450-0003	Bumper - Sold Separately
22	2	HY2210-0003	Bolt - Sold Separately
23	2	HY2260-0002	Lock Washer - Sold Separately

Order Information

Model Number	Max GPM	Max PSI	Max RPM	Shaft Output
4101C	7.2	150	2600	5/8" solid shaft
4101C-H	7.2	150	2600	1/2" hollow shaft
4101N	7.2	150	2600	5/8" solid shaft
4101N-H	7.2	150	2600	1/2" hollow shaft
4101XL	7.2	150	2600	5/8" solid shaft
4101XL-H	7.2	150	2600	1/2" hollow shaft adapter HY1320-0016 installed

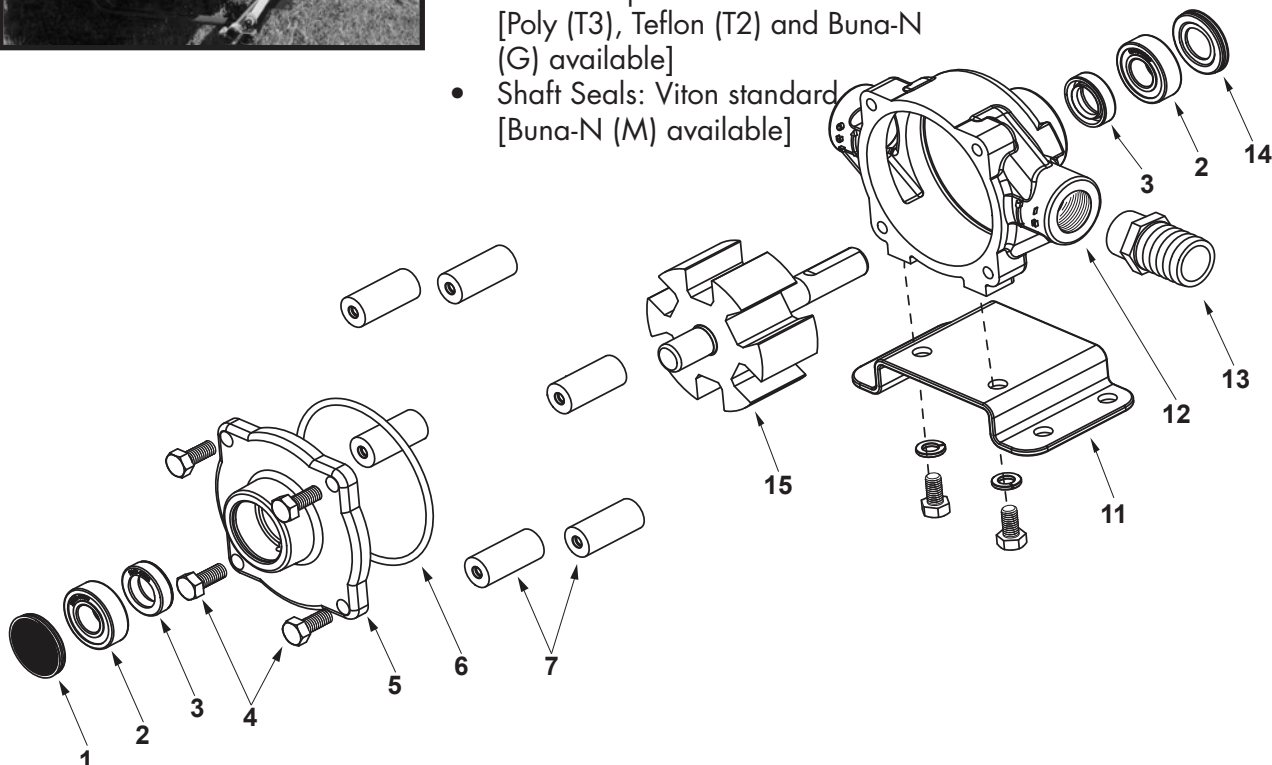
See Page 66 Hypro Catalog

HYPRO CAST IRON 6-ROLLER

Series 6500 - Used on 3 Pt 55 Gal.



- Port size: 3/4" NPT
- 1" hose barb inlet fitting for 1000 rpm operation
- Max. fluid temperature: 140°F/60°C
- Housing: Cast Iron (C), Ni-Resist (N) or Silvercast (XL)
- Pump shaft rotation: CCW (CW available)*
- Weight: 9 lbs./4.1 kg
- Rollers: Super Rollers standard [Poly (T3), Teflon (T2) and Buna-N (G) available]
- Shaft Seals: Viton standard [Buna-N (M) available]



Ref.	Qty.	Part No.	Description
1	1	2300-0021	Bearing Cover
2	2	2000-0010	Sealed Ball Bearing
3	2	2107-0002	Viton Seal (Standard)
3	2	2102-0001	Buna-N Seal (Optional)
3	2	2102-0001T	LiP Seal (Optional)
4	4	2210-0004	Bolts
5	1	0200-6600C	Endplate with Seal
6	1	1720-0008	O-Ring Gasket for Endplate

Ref.	Qty.	Part No.	Description
7	6	1005-0004	Super Roller (Standard)
7	6	1002-0004	Polypropylene Roller (Optional)
7	6	1052-0004	Buna-N Roller (Optional) NLA
7	6	1055-0004	Teflon Roller (Optional)
11	1 kit	3420-0023	Base Kit - Sold Separately Includes: (1) Base, (2) Bolts and (2) Washers
12	1	0100-6600C	Body with Seal
13	1	A34100	1" Hose Barb
14	1	2300-0023	Shaft Bearing Cover
15	1	0300-6600C	Rotor Assembly

Order Information

Model Number	Max GPM	Max PSI	Max RPM	Shaft Output
6500C	22.5	300	1200	15/16" solid shaft
6500N	22.5	300	1200	15/16" solid shaft
6500XL	22.5	300	1200	15/16" solid shaft

PUMPS

HYPRO ROLLER PUMP KITS & ACCESSORIES

Roller Pump Accessory Selection Guide

Description	Series 6500	Series 4000
540 rpm 1 3/8" Die Cast PTO Adapter	HY1320-0022	_____
540 rpm 1 3/8" Die Cast Quick Coupler	HY1321-0006	_____
540 rpm 1 3/8" Forged Steel PTO Adapter	HY1320-0077	_____
1000 rpm 1 3/8" Die Cast PTO Adapter	HY1320-0053	_____
1000 rpm 1 3/8" Die Cast Quick Coupler	HY1321-0008	_____
1000 rpm 1 3/8" Forged Steel PTO Adapter	HY1320-0079	HY1320-0079
1000 rpm 1 3/4" Forged Steel PTO Adapter	_____	_____
Multi-Speed 1 3/8" Die Cast Quick Coupler	HY1321-0012	HY1321-0012
540 rpm 1 3/8" Forged Steel Quick Coupler	HY1323-0074	_____
1000 rpm 1 3/8" Forged Steel Quick Coupler	HY1323-0075	_____
Multi-Speed 1 3/8" Forged Steel Quick Coupler	HY1323-0077	HY1323-0077
Steel Shaft Adapter 3/4" x 5/8	HY1320-0015	HY1320-0015
Steel Shaft Adapter 5/8" x 5/8	HY1320-0016	HY1320-0016
Die Cast Coupler 3/4" x 1 5/16	_____	_____
Repair Kits	HY3430-0380	HY3430-0390
Torque Arm Kit	HY3430-0540	_____
Base Kits	HY3420-0023	HY3420-0024 * HY3420-0025 * *
Locking Collar Kit	_____	_____
Hydraulic Flange Kit	_____	_____

* For electric motor drive 3 1/2" shaft centerline (4001, 4101).

** For gas engine drive 4 3/16" shaft centerline (4101 only).

Roller and Rotor Repair Kits



















Kit Number	Pump Series	Description	Est. Weight
HY3430-0387	1502C & 1502N	Roller kit includes: 6 Super Rollers, 1 o-ring gasket, and 2 Buna-N seals	1 lb. 7 oz.
HY3430-0386	1502XL	Roller kit includes: 6 Super Rollers, 1 o-ring gasket, and 2 Viton® seals	1 lb. 8 oz.
HY3430-0437	1700	Roller kit includes: 5 Super Rollers, 1 o-ring gasket, and 2 Viton® seals	1 lb. 5 oz.
HY3430-0380	6500	Roller kit includes: 6 Super Rollers, 1 o-ring gasket, and 2 Viton® seals	8 oz.
HY3430-0381	7560/7700	Roller kit includes: 8 Super Rollers, 1 o-ring gasket, and 2 Viton® seals	12 oz.
HY3430-0390	4001/4101	Roller kit includes: 4 Super Rollers, 1 o-ring gasket, and 2 Viton® seals	3 oz.

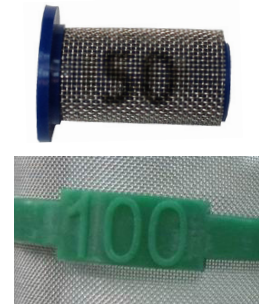
Base Kits

Kit Number	Pump Series	Description	Est. Weight
HY3420-0025	4101	Base kit for mounting to gas engine, 4 3/16" shaft centerline. Base kit includes: 1 Base, 2 Bolts and 2 Lock washers	12 oz.
HY3420-0024	4001/4101	Base kit for mounting to an electric motor, 3 1/2" shaft centerline. Base kit includes: 1 Base, 2 Bolts and 2 Lock washers	7 oz.
HY3420-0023	6500	Base kit includes: 1 Base, 2 Bolts and 2 Lock washers	12 oz.
HY3420-0003	7560	Base kit includes: 1 Base, 3 Bolts and 3 Lock washers	1 lb. 12 oz.
HY3420-0010	7700/1700	Base kit includes: 1 Base and 4 Bolts	14 oz.
HY3420-0004	1500	Base kit includes: 1 Base and 4 Bolts	6 lbs.

ISO COLOR CODE CHANGES FOR STRAINER SCREENS

Beginning on or around August 1, 2016 all color-coded TeeJet/Spraying Systems strainer screens will be manufactured to ISO/FDIS 19723 color standards. This will result in a color change for many of the mesh sizes currently offered and affects both individual tip strainers and line strainers. This change is being made worldwide to provide a greater level of consistency for our customers. Actual screen/mesh sizes and product performance will be unaffected by this change. A color code cross-reference table is provided below for easy identification of parts during this transition. Additionally, numeric mesh size markings have been added to all color coded line strainer screens and tip strainers equipped with wire mesh. For all-metal line strainer screens that do not feature a plastic frame, color coded dots are applied to the ferrule to identify mesh size in accordance with the ISO color standard.





Mesh Size	Current Color	Current Color Name	New ISO Color	New ISO Color Name
16		Gray		Brown Red
20		Beige		Beige*
24		White		White*
25/30		Yellow		Flame Red*
50/60		Red		Gentian Blue
80		Blue		Zink Yellow
100		Green		Traffic Green
120		Brown		Brown*
200		Orange		Light Pink








SCREEN MESH SIZE MARKINGS

*Mesh Size not covered by ISO standard, color will not change.

LINE STRAINERS

Screen Part #	Strainer Assembly Part #	Mesh Size Available
CP45102-* -SSPP 	AA(B)122-* -PP-* 	50
	AA(B)122ML-* -PP-*	80
	37270-122-* -PP-*	100
CP16903-* -SSPP 	AA(B)126ML-F50, 3, 4 -*	16
	AA(B)124A-3/4-AL-*	20
	AA(B)124A-1-AL-*	30
	AA(B)430ML-3/4, 1-PP-*	50
		80
		100
CP15941-* -SSPP 	AA(B)126ML-F75, 5, 6 -*	200
	AA(B)124-1-1/4-AL-*	16
	AA(B)124-1- 1/2-AL-*	30
	AA(B)430ML-1-1/4, 1-1/2-PP-*	50
		80
	100	
	120	

TIP STRAINERS

Strainer Assembly Part #	Mesh Size Available
8079-PP-* 	24
	50
	80
	100
	200
19845-* -PP 	25
	50
	100
55215-* -* 	50
	100
4193A-PP-* -* 4193A-PP-* -SS-* (Polypropylene kropp vers. enbart) 	24
	50
	80
	100
4514-NY-* (Nylon vers. endast) 	200
	16
	25
	50



TURBO TEEJET® WIDE ANGLE FLAT SPRAY TIPS



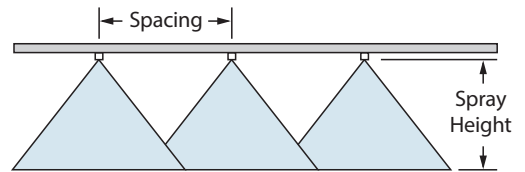
- Tapered edge wide angle flat spray pattern for uniform coverage in broadcast spraying. Large, rounded internal passage to minimize clogging.
- Excellent resistance to corrosive solutions.
- Superior wear characteristics.
- Larger droplets for less drift—15–90 PSI (1–6 bar).
- Automatic spray alignment with 25612*-NYR Quick TeeJet® cap and gasket.
- Blockage-free passage means less clogging.
- Unique internal configuration means substantially longer wear life.

TEEJET SPRAY TIPS

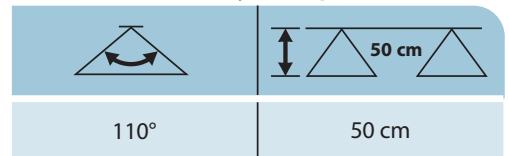
TI	PSI	DROPS PER GPM	CAPACITY ONE NOZZLE IN GPM	CAPACITY ONE NOZZLE IN OZ./MIN.	20°															
					GPA										GALLONS PER 1000 SQ. FT.					
					4 MPH	5 MPH	6 MPH	8 MPH	10 MPH	12 MPH	15 MPH	20 MPH	2 MPH	3 MPH	4 MPH	5 MPH				
TT11001 (100)	15	C	0.061	7.8	4.5	3.6	3.0	2.3	1.8	1.5	1.2	0.91	0.21	0.14	0.10	0.08				
	20	C	0.071	9.1	5.3	4.2	3.5	2.6	2.1	1.8	1.4	1.1	0.24	0.16	0.12	0.10				
	30	M	0.087	11	6.5	5.2	4.3	3.2	2.6	2.2	1.7	1.3	0.30	0.20	0.15	0.12				
	40	M	0.10	13	7.4	5.9	5.0	3.7	3.0	2.5	2.0	1.5	0.34	0.23	0.17	0.14				
	50	M	0.11	14	8.2	6.5	5.4	4.1	3.3	2.7	2.2	1.6	0.37	0.25	0.19	0.15				
	60	F	0.12	15	8.9	7.1	5.9	4.5	3.6	3.0	2.4	1.8	0.41	0.27	0.20	0.16				
TT110015 (100)	15	VC	0.092	12	6.8	5.5	4.6	3.4	2.7	2.3	1.8	1.4	0.31	0.21	0.16	0.13				
	20	C	0.11	14	8.2	6.5	5.4	4.1	3.3	2.7	2.2	1.6	0.37	0.25	0.19	0.15				
	30	M	0.13	17	9.7	7.7	6.4	4.8	3.9	3.2	2.6	1.9	0.44	0.29	0.22	0.18				
	40	M	0.15	19	11.1	8.9	7.4	5.6	4.5	3.7	3.0	2.2	0.51	0.34	0.26	0.20				
	50	M	0.17	22	12.6	10.1	8.4	6.3	5.0	4.2	3.4	2.5	0.58	0.39	0.29	0.23				
	60	F	0.18	23	13.4	10.7	8.9	6.7	5.3	4.5	3.6	2.7	0.61	0.41	0.31	0.24				
TT11002 (50)	15	VC	0.12	15	8.9	7.1	5.9	4.5	3.6	3.0	2.4	1.8	0.41	0.27	0.20	0.16				
	20	C	0.14	18	10.4	8.3	6.9	5.2	4.2	3.5	2.8	2.1	0.48	0.32	0.24	0.19				
	30	C	0.17	22	12.6	10.1	8.4	6.3	5.0	4.2	3.4	2.5	0.58	0.39	0.29	0.23				
	40	M	0.20	26	14.9	11.9	9.9	7.4	5.9	5.0	4.0	3.0	0.68	0.45	0.34	0.27				
	50	M	0.22	28	16.3	13.1	10.9	8.2	6.5	5.4	4.4	3.3	0.75	0.50	0.37	0.30				
	60	M	0.24	31	17.8	14.3	11.9	8.9	7.1	5.9	4.8	3.6	0.82	0.54	0.41	0.33				
TT110025 (50)	15	VC	0.15	19	11.1	8.9	7.4	5.6	4.5	3.7	3.0	2.2	0.51	0.34	0.26	0.20				
	20	VC	0.18	23	13.4	10.7	8.9	6.7	5.3	4.5	3.6	2.7	0.61	0.41	0.31	0.24				
	30	C	0.22	28	16.3	13.1	10.9	8.2	6.5	5.4	4.4	3.3	0.75	0.50	0.37	0.30				
	40	M	0.25	32	18.6	14.9	12.4	9.3	7.4	6.2	5.0	3.7	0.85	0.57	0.43	0.34				
	50	M	0.28	36	21	16.6	13.9	10.4	8.3	6.9	5.5	4.2	0.95	0.63	0.48	0.38				
	60	M	0.31	40	23	18.4	15.3	11.5	9.2	7.7	6.1	4.6	1.1	0.70	0.53	0.42				
TT11003 (50)	15	VC	0.18	23	13.4	10.7	8.9	6.7	5.3	4.5	3.6	2.7	0.61	0.41	0.31	0.24				
	20	VC	0.21	27	15.6	12.5	10.4	7.8	6.2	5.2	4.2	3.1	0.71	0.48	0.36	0.29				
	30	C	0.26	33	19.3	15.4	12.9	9.7	7.7	6.4	5.1	3.9	0.88	0.59	0.44	0.35				
	40	C	0.30	38	22	17.8	14.9	11.1	8.9	7.4	5.9	4.5	1.0	0.68	0.51	0.41				
	50	M	0.34	44	25	20	16.8	12.6	10.1	8.4	6.7	5.0	1.2	0.77	0.58	0.46				
	60	M	0.37	47	27	22	18.3	13.7	11.0	9.2	7.3	5.5	1.3	0.84	0.63	0.50				
TT11004 (50)	15	VC	0.21	27	15.6	12.5	10.4	7.8	6.2	5.2	4.2	3.1	0.71	0.48	0.36	0.29				
	20	C	0.26	33	19.3	15.4	12.9	9.7	7.7	6.4	5.1	3.9	0.88	0.59	0.44	0.35				
	30	C	0.30	38	22	17.8	14.9	11.1	8.9	7.4	5.9	4.5	1.0	0.68	0.51	0.41				
	40	M	0.34	44	25	20	16.8	12.6	10.1	8.4	6.7	5.0	1.2	0.77	0.58	0.46				
	50	M	0.37	47	27	22	18.3	13.7	11.0	9.2	7.3	5.5	1.3	0.84	0.63	0.50				
	60	M	0.41	52	30	24	20	15.2	12.2	10.1	8.1	6.1	1.4	0.93	0.70	0.56				
TT11005 (50)	15	VC	0.24	31	17.8	14.3	11.9	8.9	7.1	5.9	4.8	3.6	0.82	0.54	0.41	0.33				
	20	VC	0.28	36	21	16.6	13.9	10.4	8.3	6.9	5.5	4.2	0.95	0.63	0.48	0.38				
	30	C	0.35	45	26	21	17.3	13.0	10.4	8.7	6.9	5.2	1.2	0.79	0.60	0.48				
	40	C	0.40	51	30	24	19.8	14.9	11.9	9.9	7.9	5.9	1.4	0.91	0.68	0.54				
	50	M	0.45	58	33	27	22	16.7	13.4	11.1	8.9	6.7	1.5	1.0	0.77	0.61				
	60	M	0.49	63	36	29	24	18.2	14.6	12.1	9.7	7.3	1.7	1.1	0.83	0.67				
TT11006 (50)	15	VC	0.31	40	23	18.4	15.3	11.5	9.2	7.7	6.1	4.6	1.1	0.70	0.53	0.42				
	20	VC	0.35	45	26	21	17.3	13.0	10.4	8.7	6.9	5.2	1.2	0.79	0.60	0.48				
	30	VC	0.43	55	32	26	21	16.0	12.8	10.6	8.5	6.4	1.5	0.97	0.73	0.58				
	40	C	0.50	64	37	30	25	18.6	14.9	12.4	9.9	7.4	1.7	1.1	0.85	0.68				
	50	C	0.56	72	42	33	28	21	16.6	13.9	11.1	8.3	1.9	1.3	0.95	0.76				
	60	M	0.61	78	45	36	30	23	18.1	15.1	12.1	9.1	2.1	1.4	1.0	0.83				
TT11008 (50)	15	VC	0.37	47	27	22	18.3	13.7	11.0	9.2	7.3	5.5	1.3	0.84	0.63	0.50				
	20	VC	0.42	54	31	25	21	15.6	12.5	10.4	8.3	6.2	1.4	0.95	0.71	0.57				
	30	VC	0.52	67	39	31	26	19.3	15.4	12.9	10.3	7.7	1.8	1.2	0.88	0.71				
	40	VC	0.60	77	45	36	30	22	17.8	14.9	11.9	8.9	2.0	1.4	1.0	0.82				
	50	C	0.67	86	50	40	33	25	19.9	16.6	13.3	9.9	2.3	1.5	1.1	0.91				
	60	C	0.73	93	54	43	36	27	22	18.1	14.5	10.8	2.5	1.7	1.2	0.99				

CONTACT PRODUCT	SYSTEMIC PRODUCT	DRIFT MANAGEMENT
VERY GOOD	VERY GOOD	VERY GOOD
GOOD*	EXCELLENT*	VERY GOOD*

*At pressures below 30 PSI (2.0 bar)



Optimum Spray Height



XR TEEJET® WIDE EXTENDED RANGE FLAT SPRAY TIPS



- Excellent spray distribution over a wide range of pressures—15–60 PSI (1–4 bar).
- Ideal for rigs equipped with sprayer controllers.
- Reduces drift at lower pressures, better coverage at higher pressures.
- Available in stainless steel, ceramic and polymer in 80° and 110° spray angles with VisiFlo® color-coding.
- Ceramic is available with corrosiveresistant polypropylene VisiFlo colorcoded tip holder in 80° capacities 03–08 and 110° capacities 02–08.
- Brass available in 110° only.
- Automatic spray alignment with 25612-* -NYR Quick TeeJet® cap and gasket.
- Automatic spray alignment for sizes 10 and 15 with 25610-* -NYR Quick TeeJet cap and gasket.

Icon	PSI	DROP SIZE		CAPACITY ONE NOZZLE IN GPM	CAPACITY ONE NOZZLE IN OZ./MIN.	20°										GALLONS PER 1000 SQ. FT.				
		80°/110°				GPA														
		80°	110°			4 MPH	5 MPH	6 MPH	8 MPH	10 MPH	12 MPH	15 MPH	20 MPH	2 MPH	3 MPH	4 MPH	5 MPH			
XR8001 XR11001 (100)	15	F	F	0.061	7.8	4.5	3.6	3.0	2.3	1.8	1.2	0.91	0.21	0.14	0.10	0.08				
	20	F	F	0.071	9.1	5.3	4.2	3.5	2.6	2.1	1.8	1.4	1.1	0.24	0.16	0.12	0.10			
	30	F	F	0.087	11	6.5	5.2	4.3	3.2	2.6	2.2	1.7	1.3	0.30	0.20	0.15	0.12			
	40	F	F	0.10	13	7.4	5.9	5.0	3.7	3.0	2.5	2.0	1.5	0.34	0.23	0.17	0.14			
	50	F	F	0.11	14	8.2	6.5	5.4	4.1	3.3	2.7	2.2	1.6	0.37	0.25	0.19	0.15			
60	F	VF	0.12	15	8.9	7.1	5.9	4.5	3.6	3.0	2.4	1.8	0.41	0.27	0.20	0.16				
XR80015 XR110015 (100)	15	M	F	0.092	12	6.8	5.5	4.6	3.4	2.7	2.3	1.8	1.4	0.31	0.21	0.16	0.13			
	20	M	F	0.11	14	8.2	6.5	5.4	4.1	3.3	2.7	2.2	1.6	0.37	0.25	0.19	0.15			
	30	M	F	0.13	17	9.7	7.7	6.4	4.8	3.9	3.2	2.6	1.9	0.44	0.29	0.22	0.18			
	40	M	F	0.15	19	11.1	8.9	7.4	5.6	4.5	3.7	3.0	2.2	0.51	0.34	0.26	0.20			
	50	M	F	0.17	22	12.6	10.1	8.4	6.3	5.0	4.2	3.4	2.5	0.58	0.39	0.29	0.23			
60	M	F	0.18	23	13.4	10.7	8.9	6.7	5.3	4.5	3.6	2.7	0.61	0.41	0.31	0.24				
XR8002 XR11002 (50)	15	M	M	0.12	15	8.9	7.1	5.9	4.5	3.6	3.0	2.4	1.8	0.41	0.27	0.20	0.16			
	20	M	M	0.14	18	10.4	8.3	6.9	5.2	4.2	3.5	2.8	2.1	0.48	0.32	0.24	0.19			
	30	M	M	0.17	22	12.6	10.1	8.4	6.3	5.0	4.2	3.4	2.5	0.58	0.39	0.29	0.23			
	40	M	M	0.20	26	14.9	11.9	9.9	7.4	5.9	5.0	4.0	3.0	0.68	0.45	0.34	0.27			
	50	M	M	0.22	28	16.3	13.1	10.9	8.2	6.5	5.4	4.4	3.3	0.75	0.50	0.37	0.30			
60	M	M	0.24	31	17.8	14.3	11.9	8.9	7.1	5.9	4.8	3.6	0.82	0.54	0.41	0.33				
XR80025 XR110025 (50)	15	M	M	0.15	19	11.1	8.9	7.4	5.6	4.5	3.7	3.0	2.2	0.51	0.34	0.26	0.20			
	20	M	M	0.18	23	13.4	10.7	8.9	6.7	5.3	4.5	3.6	2.7	0.61	0.41	0.31	0.24			
	30	M	M	0.22	28	16.3	13.1	10.9	8.2	6.5	5.4	4.4	3.3	0.75	0.50	0.37	0.30			
	40	M	M	0.25	32	18.6	14.9	12.4	9.3	7.4	6.2	5.0	3.7	0.85	0.57	0.43	0.34			
	50	M	M	0.28	36	21	16.6	13.9	10.4	8.3	6.9	5.5	4.2	0.95	0.63	0.48	0.38			
60	M	M	0.31	40	23	18.4	15.3	11.5	9.2	7.7	6.1	4.6	1.1	0.70	0.53	0.42				
XR8003 XR11003 (50)	15	M	M	0.18	23	13.4	10.7	8.9	6.7	5.3	4.5	3.6	2.7	0.61	0.41	0.31	0.24			
	20	M	M	0.21	27	15.6	12.5	10.4	7.8	6.3	5.2	4.2	3.1	0.71	0.48	0.36	0.29			
	30	M	M	0.26	33	19.3	15.4	12.9	9.7	7.7	6.4	5.1	3.9	0.88	0.59	0.44	0.35			
	40	M	M	0.30	38	22	17.8	14.9	11.1	8.9	7.4	5.9	4.5	1.0	0.68	0.51	0.41			
	50	M	M	0.34	44	25	20	16.8	12.6	10.1	8.4	6.7	5.0	1.2	0.77	0.58	0.46			
60	M	M	0.37	47	27	22	18.3	13.7	11.0	9.2	7.3	5.5	1.3	0.84	0.63	0.50				
XR80035 (50)	15	M	M	0.21	27	15.6	12.5	10.4	7.8	6.2	5.2	4.2	3.1	0.71	0.48	0.36	0.29			
	20	M	M	0.25	32	18.6	14.9	12.4	9.3	7.4	6.2	5.0	3.7	0.85	0.57	0.43	0.34			
	30	M	M	0.30	38	22	17.8	14.9	11.1	8.9	7.4	5.9	4.5	1.0	0.68	0.51	0.41			
	40	M	M	0.35	45	26	21	17.3	13.0	10.4	8.7	6.9	5.2	1.2	0.79	0.60	0.48			
	50	M	M	0.39	50	29	23	19.3	14.5	11.6	9.7	7.7	5.8	1.3	0.88	0.66	0.53			
60	M	M	0.43	55	32	26	21	16.0	12.8	10.6	8.5	6.4	1.5	0.97	0.73	0.58				
XR8004 XR11004 (50)	15	C	M	0.24	31	17.8	14.3	11.9	8.9	7.1	5.9	4.8	3.6	0.82	0.54	0.41	0.33			
	20	M	M	0.28	36	21	16.6	13.9	10.4	8.3	6.9	5.5	4.2	1.0	0.63	0.48	0.38			
	30	M	M	0.35	45	26	21	17.3	13.0	10.4	8.7	6.9	5.2	1.2	0.79	0.60	0.48			
	40	M	M	0.40	51	30	24	19.8	14.9	11.9	9.9	7.9	5.9	1.4	0.91	0.68	0.54			
	50	F	F	0.45	58	33	27	22	16.7	13.4	11.1	8.9	6.7	1.5	1.0	0.77	0.61			
60	F	F	0.49	63	36	29	24	18.2	14.6	12.1	9.7	7.3	1.7	1.1	0.83	0.67				
XR8005 XR11005 (50)	15	C	M	0.31	40	23	18.4	15.3	11.5	9.2	7.7	6.1	4.6	1.1	0.70	0.53	0.42			
	20	C	M	0.35	45	26	21	17.3	13.0	10.4	8.7	6.9	5.2	1.2	0.79	0.60	0.48			
	30	M	M	0.43	55	32	26	21	16.0	12.8	10.6	8.5	6.4	1.5	0.97	0.73	0.58			
	40	M	M	0.50	64	37	30	25	18.6	14.9	12.4	9.9	7.4	1.7	1.1	0.85	0.68			
	50	M	F	0.56	72	42	33	28	21	16.6	13.9	11.1	8.3	1.9	1.3	0.95	0.76			
60	M	F	0.61	78	45	36	30	23	18.1	15.1	12.1	9.1	2.1	1.4	1.0	0.83				
XR8006 XR11006 (50)	15	C	C	0.37	47	27	22	18.3	13.7	11.0	9.2	7.3	5.5	1.3	0.84	0.63	0.50			
	20	C	C	0.42	54	31	25	21	15.6	12.5	10.4	8.3	6.2	1.4	1.0	0.71	0.57			
	30	M	M	0.52	67	39	31	26	19.3	15.4	12.9	10.3	7.7	1.8	1.2	0.88	0.71			
	40	M	M	0.62	81	45	36	30	22	17.8	14.9	11.9	8.9	2.0	1.4	1.0	0.82			
	50	M	M	0.67	86	50	40	33	25	19.9	16.6	13.3	9.9	2.3	1.5	1.1	0.91			
60	M	F	0.73	93	54	43	36	27	22	18.1	14.5	10.8	2.5	1.7	1.2	0.99				
XR8008 XR11008 (50)	15	VC	C	0.49	63	36	29	24	18.2	14.6	12.1	9.7	7.3	1.7	1.1	0.83	0.67			
	20	VC	C	0.57	73	42	34	28	21	16.9	14.1	11.3	8.5	1.9	1.3	0.97	0.78			
	30	C	C	0.69	88	51	41	34	26	20	17.1	13.7	10.2	2.3	1.6	1.2	0.94			
	40	M	M	0.80	102	59	48	40	30	24	19.8	15.8	11.9	2.7	1.8	1.4	1.1			
	50	M	M	0.89	114	66	53	44	33	26	22	17.6	13.2	3.0	2.0	1.5	1.2			
60	M	F	0.98	125	73	58	49	36	29	24	19.4	14.6	3.3	2.2	1.7	1.3				
XR8010† XR11010†	15	XC	VC	0.61	78	45	36	30	23	18.1	15.1	12.1	9.1	2.1	1.4	1.0	0.83			
	20	VC	C	0.71	91	53	42	35	26	21	17.6	14.1	10.5	2.4	1.6	1.2	0.97			
	30	C	C	0.87	111	65	52	43	32	26	22	17.2	12.9	3.0	2.0	1.5	1.2			
	40	M	M	1.00	128	74	59	50	37	30	25	19.8	14.9	3.4	2.3	1.7	1.4			
	50	M	M	1.12	143	83	67	55	42	33	28	22	16.6	3.8	2.5	1.9	1.5			
60	M	F	1.22	156	91	72	60	45	36	30	24	18.1	4.1	2.8	2.1	1.7				
XR8015† XR11015†	15	XC	VC	0.92	118	68	55	46	34	27	23	18.2	13.7	3.1	2.1	1.6	1.3			
	20	XC	VC	1.06	136	79	63	52	39	31	26	21	15.7	3.6	2.4	1.8	1.4			
	30	VC	C	1.30	166	97	77	64	48	39	32	26	19.3	4.4	2.9	2.2	1.8			
	40	VC	C	1.50	192	111	89	74	56	45	37	30	22	5.1	3.4	2.6	2.0			
	50	C	C	1.68	215	125	100	83	62	50	42	33	25	5.7	3.8	2.9	2.3			
60	C	C	1.84	236	137	109	91	68	55	46	36	27	6.3	4.2	3					

XRC TEEJET® WIDE EXTENDED RANGE FLAT SPRAY TIPS



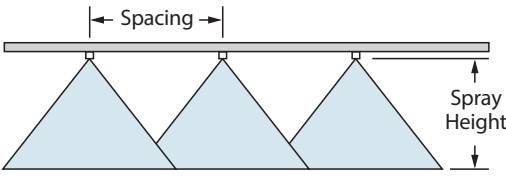
- Excellent spray distribution over a wide range of pressures—15–60 PSI (1–4 bar).
- Ideal for rigs equipped with sprayer controllers.
- Reduces drift at lower pressures, better coverage at higher pressures.
- 80° available in stainless steel (015, 02, 03–06 capacities) and ceramic (02, 03–08 capacities).
- 110° available in stainless steel (025–05 capacities), ceramic (02–08 capacities) and polymer (025–20 capacities).
- XR TeeJet tip molded into Quick TeeJet® cap provides automatic spray alignment.
- Includes tightly fitting washer that stays put and assures a good seal.

TEEJET SPRAY TIPS

PSI	DROPSIZE	CAPACITY ONE NOZZLE IN GPM	CAPACITY ONE NOZZLE IN OZ./MIN.	20°															
				GPA												GALLONS PER 1000 SQ. FT.			
				4 MPH	5 MPH	6 MPH	8 MPH	10 MPH	12 MPH	15 MPH	20 MPH	2 MPH	3 MPH	4 MPH	5 MPH				
XRC80015 (100)	15	M	0.092	12	6.8	5.5	4.6	3.4	2.7	2.3	1.8	1.4	0.31	0.21	0.16	0.13			
	20	F	0.11	14	8.2	6.5	5.4	4.1	3.3	2.7	2.2	1.6	0.37	0.25	0.19	0.15			
	30	F	0.13	17	9.7	7.7	6.4	4.8	3.9	3.2	2.6	1.9	0.44	0.29	0.22	0.18			
	40	F	0.15	19	11.1	8.9	7.4	5.6	4.5	3.7	3.0	2.2	0.51	0.34	0.26	0.20			
	50	F	0.17	22	12.6	10.1	8.4	6.3	5.0	4.2	3.4	2.5	0.58	0.39	0.29	0.23			
XRC8002 XRC11002 (50)	15	M	0.12	15	8.9	7.1	5.9	4.5	3.6	3.0	2.4	1.8	0.41	0.27	0.20	0.16			
	20	M	0.14	18	10.4	8.3	6.9	5.2	4.2	3.5	2.8	2.1	0.48	0.32	0.24	0.19			
	30	F	0.17	22	12.6	10.1	8.4	6.3	5.0	4.2	3.4	2.5	0.58	0.39	0.29	0.23			
	40	F	0.20	26	14.9	11.9	9.9	7.4	5.9	5.0	4.0	3.0	0.68	0.45	0.34	0.27			
	50	F	0.22	28	16.3	13.1	10.9	8.2	6.5	5.4	4.4	3.3	0.75	0.50	0.37	0.30			
XRC110025 (50)	15	M	0.15	19	11.1	8.9	7.4	5.6	4.5	3.7	3.0	2.2	0.51	0.34	0.26	0.20			
	20	M	0.18	23	13.4	10.7	8.9	6.7	5.3	4.5	3.6	2.7	0.61	0.41	0.31	0.24			
	30	F	0.22	28	16.3	13.1	10.9	8.2	6.5	5.4	4.4	3.3	0.75	0.50	0.37	0.30			
	40	F	0.25	32	18.6	14.9	12.4	9.3	7.4	6.2	5.0	3.7	0.85	0.57	0.43	0.34			
	50	F	0.28	36	21	16.6	13.9	10.4	8.3	6.9	5.5	4.2	0.95	0.63	0.48	0.38			
XRC8003 XRC11003 (50)	15	M	0.18	23	13.4	10.7	8.9	6.7	5.3	4.5	3.6	2.7	0.61	0.41	0.31	0.24			
	20	M	0.21	27	15.6	12.5	10.4	7.8	6.2	5.2	4.2	3.1	0.71	0.48	0.36	0.29			
	30	F	0.26	33	19.3	15.4	12.9	9.7	7.7	6.4	5.1	3.9	0.88	0.59	0.44	0.35			
	40	F	0.30	38	22	17.8	14.9	11.1	8.9	7.4	5.9	4.5	1.0	0.68	0.51	0.41			
	50	F	0.34	44	25	20	16.8	12.6	10.1	8.4	6.7	5.0	1.2	0.77	0.58	0.46			
XRC8004 XRC11004 (50)	15	C	0.24	31	17.8	14.3	11.9	8.9	7.1	5.9	4.8	3.6	0.82	0.54	0.41	0.33			
	20	M	0.28	36	21	16.6	13.9	10.4	8.3	6.9	5.5	4.2	0.95	0.63	0.48	0.38			
	30	M	0.35	45	26	21	17.3	13.0	10.4	8.7	6.9	5.2	1.2	0.79	0.60	0.48			
	40	M	0.40	51	30	24	19.8	14.9	11.9	9.9	7.9	5.9	1.4	0.91	0.68	0.54			
	50	F	0.45	58	33	27	22	16.7	13.4	11.1	8.9	6.7	1.5	1.0	0.77	0.61			
XRC8005 XRC11005 (50)	15	C	0.31	40	23	18.4	15.3	11.5	9.2	7.7	6.1	4.6	1.1	0.70	0.53	0.42			
	20	C	0.35	45	26	21	17.3	13.0	10.4	8.7	6.9	5.2	1.2	0.79	0.60	0.48			
	30	M	0.43	55	32	26	21	16.0	12.8	10.6	8.5	6.4	1.5	0.97	0.73	0.58			
	40	M	0.50	64	37	30	25	18.6	14.9	12.4	9.9	7.4	1.7	1.1	0.85	0.68			
	50	F	0.56	72	42	33	28	21	16.6	13.9	11.1	8.3	1.9	1.3	0.95	0.76			
XRC8006 XRC11006 (50)	15	C	0.37	47	27	22	18.3	13.7	11.0	9.2	7.3	5.5	1.3	0.84	0.63	0.50			
	20	C	0.42	54	31	25	21	15.6	12.5	10.4	8.3	6.2	1.4	0.95	0.71	0.57			
	30	M	0.52	67	39	31	26	19.3	15.4	12.9	10.3	7.7	1.8	1.2	0.88	0.71			
	40	M	0.60	77	45	36	30	22	17.8	14.9	11.9	8.9	2.0	1.4	1.0	0.82			
	50	M	0.67	86	50	40	33	25	19.9	16.6	13.3	9.9	2.3	1.5	1.1	0.91			
XRC8008 XRC11008 (50)	15	VC	0.49	63	36	29	24	18.2	14.6	12.1	9.7	7.3	1.7	1.1	0.83	0.67			
	20	C	0.57	73	42	34	28	21	16.9	14.1	11.3	8.5	1.9	1.3	0.97	0.78			
	30	C	0.69	88	51	41	34	26	20	17.1	13.7	10.2	2.3	1.6	1.2	0.94			
	40	M	0.80	102	59	48	40	30	24	19.8	15.8	11.9	2.7	1.8	1.4	1.1			
	50	M	0.89	114	66	53	44	33	26	22	17.6	13.2	3.0	2.0	1.5	1.2			
XRC11010	15	VC	0.98	125	73	58	49	36	29	24	19.4	14.6	3.3	2.2	1.7	1.3			
	20	C	0.61	78	45	36	30	23	18.1	15.1	12.1	9.1	2.1	1.4	1.0	0.83			
	30	C	0.71	91	53	42	35	26	21	17.6	14.1	10.5	2.4	1.6	1.2	0.97			
	40	C	0.87	111	65	52	43	32	26	22	17.2	12.9	3.0	2.0	1.5	1.2			
	50	M	1.00	128	74	59	50	37	30	25	19.8	14.9	3.4	2.3	1.7	1.4			
XRC11015	15	VC	1.12	143	83	67	55	42	33	28	22	16.6	3.8	2.5	1.9	1.5			
	20	VC	1.22	156	91	72	60	45	36	30	24	18.1	4.1	2.8	2.1	1.7			
	30	VC	0.92	118	68	55	46	34	27	23	18.2	13.7	3.1	2.1	1.6	1.3			
	40	VC	1.06	136	79	63	52	39	31	26	21	15.7	3.6	2.4	1.8	1.4			
	50	VC	1.30	166	97	77	64	48	39	32	26	19.3	4.4	2.9	2.2	1.8			
XRC11020	15	VC	1.50	192	111	89	74	56	45	37	30	22	5.1	3.4	2.6	2.0			
	20	VC	1.68	215	125	100	83	62	50	42	33	25	5.7	3.8	2.9	2.3			
	30	VC	1.84	236	137	109	91	68	55	46	36	27	6.3	4.2	3.1	2.5			
	40	VC	1.22	156	91	72	60	45	36	30	24	18.1	4.1	2.8	2.1	1.7			
	50	VC	1.41	180	105	84	70	52	42	35	28	21	4.8	3.2	2.4	1.9			

CONTACT PRODUCT	SYSTEMIC PRODUCT	DRIFT MANAGEMENT
EXCELLENT	GOOD	GOOD
GOOD*	VERY GOOD*	VERY GOOD*

*At pressures below 30 PSI (2.0 bar)



Optimum Spray Height

80°	75 cm
110°	50 cm

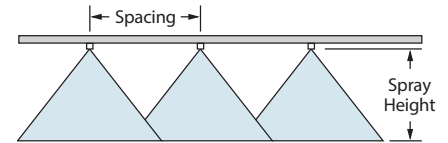
AIXR TEEJET® AIR INDUCTION XR FLAT SPRAY TIPS



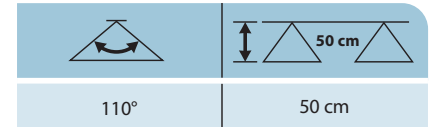
- 110° wide, tapered flat spray angle with air induction technology offers better drift management.
- Made of a two-piece UHMWPE polymer construction with VisiFlo® color-coding.
- UHMPE provides excellent chemical resistance, including acids, as well as exceptional wear life.
- Compact size to prevent tip damage.
- Depending on the chemical, produces large air-filled drops through a Venturi air aspirator.
- Removable pre-orifice.
- Available in seven tip capacities with a wide operating pressure range: 15–90 PSI (1–6 bar).
- Automatic alignment when used with 25612*-NYR Quick TeeJet® cap and gasket.

TIPOLOGY	PSI	DROP SIZE	CAPACITY ONE NOZZLE IN GPM	CAPACITY ONE NOZZLE IN OZ./MIN.	20°															
					GPA								GALLONS PER 1000 SQ. FT.							
					4 MPH	5 MPH	6 MPH	8 MPH	10 MPH	12 MPH	15 MPH	20 MPH	2 MPH	3 MPH	4 MPH	5 MPH				
AIXR110015 (100)	15	XC	0.092	12	6.8	5.5	4.6	3.4	2.7	2.3	1.8	1.4	0.31	0.21	0.16	0.13				
	20	XC	0.11	14	8.2	6.5	5.4	4.1	3.3	2.7	2.2	1.6	0.37	0.25	0.19	0.15				
	30	C	0.13	17	9.7	7.7	6.4	4.8	3.9	3.2	2.6	1.9	0.44	0.29	0.22	0.18				
	40	C	0.15	19	11.1	8.9	7.4	5.6	4.5	3.7	3.0	2.2	0.51	0.34	0.26	0.20				
	50	C	0.17	22	12.6	10.1	8.4	6.3	5.0	4.2	3.4	2.5	0.58	0.39	0.29	0.23				
	60	M	0.18	23	13.4	10.7	8.9	6.7	5.3	4.5	3.6	2.7	0.61	0.41	0.31	0.24				
	75	M	0.21	27	15.6	12.5	10.4	7.8	6.2	5.2	4.2	3.1	0.71	0.48	0.36	0.29				
90	M	0.23	29	17.1	13.7	11.4	8.5	6.8	5.7	4.6	3.4	0.78	0.52	0.39	0.31					
AIXR11002 (50)	15	XC	0.12	15	8.9	7.1	5.9	4.5	3.6	3.0	2.4	1.8	0.41	0.27	0.20	0.16				
	20	XC	0.14	18	10.4	8.3	6.9	5.2	4.2	3.5	2.8	2.1	0.48	0.32	0.24	0.19				
	30	VC	0.17	22	12.6	10.1	8.4	6.3	5.0	4.2	3.4	2.5	0.58	0.39	0.29	0.23				
	40	C	0.20	26	14.9	11.9	9.9	7.4	5.9	5.0	4.0	3.0	0.68	0.45	0.34	0.27				
	50	C	0.22	28	16.3	13.1	10.9	8.2	6.5	5.4	4.4	3.3	0.75	0.50	0.37	0.30				
	60	C	0.24	31	17.8	14.3	11.9	8.9	7.1	5.9	4.8	3.6	0.82	0.54	0.41	0.33				
	75	M	0.27	35	20	16.0	13.4	10.0	8.0	6.7	5.3	4.0	0.92	0.61	0.46	0.37				
90	M	0.30	38	22	17.8	14.9	11.1	8.9	7.4	5.9	4.5	1.0	0.68	0.51	0.41					
AIXR110025 (50)	15	XC	0.15	19	11.1	8.9	7.4	5.6	4.5	3.7	3.0	2.2	0.51	0.34	0.26	0.20				
	20	XC	0.18	23	13.4	10.7	8.9	6.7	5.3	4.5	3.6	2.7	0.61	0.41	0.31	0.24				
	30	XC	0.22	28	16.3	13.1	10.9	8.2	6.5	5.4	4.4	3.3	0.75	0.50	0.37	0.30				
	40	VC	0.25	32	18.6	14.9	12.4	9.3	7.4	6.2	5.0	3.7	0.85	0.57	0.43	0.34				
	50	C	0.28	36	21	16.6	13.9	10.4	8.3	6.9	5.5	4.2	0.95	0.63	0.48	0.38				
	60	C	0.31	40	23	18.4	15.3	11.5	9.2	7.7	6.1	4.6	1.1	0.70	0.53	0.42				
	75	C	0.34	44	25	20	16.8	12.6	10.1	8.4	6.7	5.0	1.2	0.77	0.58	0.46				
90	C	0.38	49	28	23	18.8	14.1	11.3	9.4	7.5	5.6	1.3	0.86	0.65	0.52					
AIXR11003 (50)	15	XC	0.18	23	13.4	10.7	8.9	6.7	5.3	4.5	3.6	2.7	0.61	0.41	0.31	0.24				
	20	XC	0.21	27	15.6	12.5	10.4	7.8	6.2	5.2	4.2	3.1	0.71	0.48	0.36	0.29				
	30	XC	0.26	33	19.3	15.4	12.9	9.7	7.7	6.4	5.1	3.9	0.88	0.59	0.44	0.35				
	40	VC	0.30	38	22	17.8	14.9	11.1	8.9	7.4	5.9	4.5	1.0	0.68	0.51	0.41				
	50	C	0.34	44	25	20	16.8	12.6	10.1	8.4	6.7	5.0	1.2	0.77	0.58	0.46				
	60	C	0.37	47	27	22	18.3	13.7	11.0	9.2	7.3	5.5	1.3	0.84	0.63	0.50				
	75	C	0.41	52	30	24	20	15.2	12.2	10.1	8.1	6.1	1.4	0.93	0.70	0.56				
90	C	0.45	58	33	27	22	16.7	13.4	11.1	8.9	6.7	1.5	1.0	0.77	0.61					
AIXR11004 (50)	15	UC	0.24	31	17.8	14.3	11.9	8.9	7.1	5.9	4.8	3.6	0.82	0.54	0.41	0.33				
	20	XC	0.28	36	21	16.6	13.9	10.4	8.3	6.9	5.5	4.2	0.95	0.63	0.48	0.38				
	30	XC	0.35	45	26	21	17.3	13.0	10.4	8.7	6.9	5.2	1.2	0.79	0.60	0.48				
	40	XC	0.40	51	30	24	19.8	14.9	11.9	9.9	7.9	5.9	1.4	0.91	0.68	0.54				
	50	VC	0.45	58	33	27	22	16.7	13.4	11.1	8.9	6.7	1.5	1.0	0.77	0.61				
	60	VC	0.49	63	36	29	24	18.2	14.6	12.1	9.7	7.3	1.7	1.1	0.83	0.67				
	75	C	0.55	70	41	33	27	20	16.3	13.6	10.9	8.2	1.9	1.2	0.94	0.75				
90	C	0.60	77	45	36	30	22	17.8	14.9	11.9	8.9	2.0	1.4	1.0	0.82					
AIXR11005 (50)	15	UC	0.31	40	23	18.4	15.3	11.5	9.2	7.7	6.1	4.6	1.1	0.70	0.53	0.42				
	20	XC	0.35	45	26	21	17.3	13.0	10.4	8.7	6.9	5.2	1.2	0.79	0.60	0.48				
	30	XC	0.43	55	32	26	21	16.0	12.8	10.6	8.5	6.4	1.5	0.97	0.73	0.58				
	40	XC	0.50	64	37	30	25	18.6	14.9	12.4	9.9	7.4	1.7	1.1	0.85	0.68				
	50	VC	0.56	72	42	33	28	21	16.6	13.9	11.1	8.3	1.9	1.3	0.95	0.76				
	60	VC	0.61	78	45	36	30	23	18.1	15.1	12.1	9.1	2.1	1.4	1.0	0.83				
	75	C	0.68	87	50	40	34	25	20	16.8	13.5	10.1	2.3	1.5	1.2	0.92				
90	C	0.75	96	56	45	37	28	22	18.6	14.9	11.1	2.6	1.7	1.3	1.0					
AIXR11006 (50)	15	UC	0.37	47	27	22	18.3	13.7	11.0	9.2	7.3	5.5	1.3	0.84	0.63	0.50				
	20	XC	0.42	54	31	25	21	15.6	12.5	10.4	8.3	6.2	1.4	0.95	0.71	0.57				
	30	XC	0.52	67	39	31	26	19.3	15.4	12.9	10.3	7.7	1.8	1.2	0.88	0.71				
	40	XC	0.60	77	45	36	30	22	17.8	14.9	11.9	8.9	2.0	1.4	1.0	0.82				
	50	VC	0.67	86	50	40	33	25	19.9	16.6	13.3	9.9	2.3	1.5	1.1	0.91				
	60	VC	0.73	93	54	43	36	27	22	18.1	14.5	10.8	2.5	1.7	1.2	0.99				
	75	C	0.82	105	61	49	41	30	24	20	16.2	12.2	2.8	1.9	1.4	1.1				
90	C	0.90	115	67	53	45	33	27	22	17.8	13.4	3.1	2.0	1.5	1.2					

CONTACT PRODUCT	SYSTEMIC PRODUCT	DRIFT MANAGEMENT
GOOD	EXCELLENT	EXCELLENT



Optimum Spray Height



TEEJET SPRAY TIPS

AI TEEJET® AIR INDUCTION FLAT SPRAY TIPS

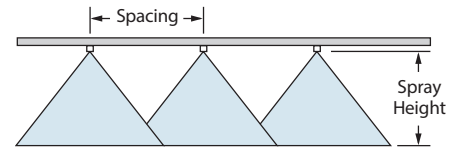


- Stainless steel insert produces a tapered edge flat spray pattern for uniform coverage in broadcast spraying.
- Polymer insert holder and pre-orifice with VisiFlo® color-coding.
- Larger droplets for less drift.
- Available in eight capacities with a recommended pressure rating 30–115 PSI (2–8 bar).
- Depending on the chemical, produces large air-filled drops through the use of a Venturi air aspirator.
- Automatic spray alignment with 25598-*N.YR Quick TeeJet® cap and gasket.

TEEJET SPRAY TIPS

TIPO	PSI	DROP SIZE		CAPACITY ONE NOZZLE IN GPM	CAPACITY ONE NOZZLE IN OZ./MIN.	20"															
		80°	110°			GPA								GALLONS PER 1000 SQ. FT.							
		4 MPH	5 MPH			6 MPH	8 MPH	10 MPH	12 MPH	15 MPH	20 MPH	2 MPH	3 MPH	4 MPH	5 MPH						
AI80015 AI110015 (100)	30	UC	UC	0.13	17	9.7	7.7	6.4	4.8	3.9	3.2	2.6	1.9	0.44	0.29	0.22	0.18				
	40	XC	XC	0.15	19	11.1	8.9	7.4	5.6	4.5	3.7	3.0	2.2	0.51	0.34	0.26	0.20				
	50	XC	XC	0.17	22	12.6	10.1	8.4	6.3	5.0	4.2	3.4	2.5	0.58	0.39	0.29	0.23				
	60	XC	VC	0.18	23	13.4	10.7	8.9	6.7	5.3	4.5	3.6	2.7	0.61	0.41	0.31	0.24				
	70	VC	VC	0.20	26	14.9	11.9	9.9	7.4	5.9	5.0	4.0	3.0	0.68	0.45	0.34	0.27				
AI8002 AI11002 (50)	30	UC	UC	0.17	22	12.6	10.1	8.4	6.3	5.0	4.2	3.4	2.5	0.58	0.39	0.29	0.23				
	40	XC	XC	0.20	26	14.9	11.9	9.9	7.4	5.9	5.0	4.0	3.0	0.68	0.45	0.34	0.27				
	50	XC	XC	0.22	28	16.3	13.1	10.9	8.2	6.5	5.4	4.4	3.3	0.75	0.50	0.37	0.30				
	60	XC	VC	0.24	31	17.8	14.3	11.9	8.9	7.1	5.9	4.8	3.6	0.82	0.54	0.41	0.33				
	70	VC	VC	0.26	33	19.3	15.4	12.9	9.7	7.7	6.4	5.1	3.9	0.88	0.59	0.44	0.35				
AI80025 AI110025 (50)	30	UC	UC	0.22	28	16.3	13.1	10.9	8.2	6.5	5.4	4.4	3.3	0.75	0.50	0.37	0.30				
	40	XC	XC	0.25	32	18.6	14.9	12.4	9.3	7.4	6.2	5.0	3.7	0.85	0.57	0.43	0.34				
	50	XC	XC	0.28	36	21	16.6	13.9	10.4	8.3	6.9	5.5	4.2	0.95	0.63	0.48	0.38				
	60	XC	VC	0.31	40	23	18.4	15.3	11.5	9.2	7.7	6.1	4.6	1.1	0.70	0.53	0.42				
	70	VC	VC	0.33	42	25	19.6	16.3	12.3	9.8	8.2	6.5	4.9	1.1	0.75	0.56	0.45				
AI8003 AI11003 (50)	30	UC	UC	0.26	33	19.3	15.4	12.9	9.7	7.7	6.4	5.1	3.9	0.88	0.59	0.44	0.35				
	40	XC	XC	0.30	38	22	17.8	14.9	11.1	8.9	7.4	5.9	4.5	1.0	0.68	0.51	0.41				
	50	XC	XC	0.34	44	25	20	16.8	12.6	10.1	8.4	6.7	5.0	1.2	0.77	0.58	0.46				
	60	XC	VC	0.37	47	27	22	18.3	13.7	11.0	9.2	7.3	5.5	1.3	0.84	0.63	0.50				
	70	VC	VC	0.40	51	30	24	19.8	14.9	11.9	9.9	7.9	5.9	1.4	0.91	0.68	0.54				
AI8004 AI11004 (50)	30	UC	UC	0.35	45	26	21	17.3	13.0	10.4	8.7	6.9	5.2	1.2	0.79	0.60	0.48				
	40	XC	XC	0.40	51	30	24	19.8	14.9	11.9	9.9	7.9	5.9	1.4	0.91	0.68	0.54				
	50	XC	XC	0.45	58	33	27	22	16.7	13.4	11.1	8.9	6.7	1.5	1.0	0.77	0.61				
	60	XC	VC	0.49	63	36	29	24	18.2	14.6	12.1	9.7	7.3	1.7	1.1	0.83	0.67				
	70	VC	VC	0.53	68	39	31	26	19.7	15.7	13.1	10.5	7.9	1.8	1.2	0.90	0.72				
AI8005 AI11005 (50)	30	UC	UC	0.43	55	32	26	21	16.0	12.8	10.6	8.5	6.4	1.5	0.97	0.73	0.58				
	40	UC	XC	0.50	64	37	30	25	18.6	14.9	12.4	9.9	7.4	1.7	1.1	0.85	0.68				
	50	XC	XC	0.56	72	42	33	28	21	16.6	13.9	11.1	8.3	1.9	1.3	0.95	0.76				
	60	XC	VC	0.61	78	45	36	30	23	18.1	15.1	12.1	9.1	2.1	1.4	1.0	0.83				
	70	XC	VC	0.66	84	49	39	33	25	19.6	16.3	13.1	9.8	2.2	1.5	1.1	0.90				
AI8006 AI11006 (50)	30	UC	UC	0.52	67	39	31	26	19.3	15.4	12.9	10.3	7.7	1.8	1.2	0.88	0.71				
	40	UC	XC	0.60	77	45	36	30	22	17.8	14.9	11.9	8.9	2.0	1.4	1.0	0.82				
	50	UC	XC	0.67	86	50	40	33	25	19.9	16.6	13.3	9.9	2.3	1.5	1.1	0.91				
	60	XC	XC	0.73	93	54	43	36	27	22	18.1	14.5	10.8	2.5	1.7	1.2	0.99				
	70	XC	XC	0.79	101	59	47	39	29	23	19.6	15.6	11.7	2.7	1.8	1.3	1.1				
AI11008 (50)	30	UC	UC	0.69	88	51	41	34	26	20	17.1	13.7	10.2	2.3	1.6	1.2	0.94				
	40	UC	XC	0.80	102	59	48	40	30	24	19.8	15.8	11.9	2.7	1.8	1.4	1.1				
	50	XC	XC	0.89	114	66	53	44	33	26	22	17.6	13.2	3.0	2.0	1.5	1.2				
	60	XC	XC	0.98	125	73	58	49	36	29	24	19.4	14.6	3.3	2.2	1.7	1.3				
	70	XC	XC	1.06	136	79	63	52	39	31	26	21	15.7	3.6	2.4	1.8	1.4				

CONTACT PRODUCT	SYSTEMIC PRODUCT	DRIFT MANAGEMENT
GOOD	EXCELLENT	EXCELLENT



Optimum Spray Height

80°	75 cm
110°	50 cm



AIC TEEJET® AIR INDUCTION FLAT SPRAY TIPS

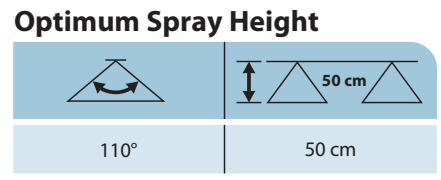
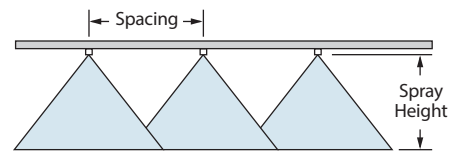


- Produces a 110° tapered edge flat spray pattern for uniform coverage in broadcast spraying applications.
- Available with a polymer insert holder with stainless steel (015–10 capacities), ceramic (025–05 capacities) or polymer (02–05 capacities) inserts.
- Larger droplets for less drift.
- Depending on the chemical, produces large air-filled drops through the use of a Venturi air aspirator.
- All TeeJet nozzle molded into Quick TeeJet® cap provides automatic spray alignment.

- Includes tightly fitting washer that stays put and assures a good seal.
- Recommended pressure rating 30–115 PSI (2–8 bar).

PSI	DROP SIZE	CAPACITY ONE NOZZLE IN GPM	CAPACITY ONE NOZZLE IN OZ./MIN.	20°																
				GPA								GALLONS PER 1000 SQ. FT.								
				4 MPH	5 MPH	6 MPH	8 MPH	10 MPH	12 MPH	15 MPH	20 MPH	2 MPH	3 MPH	4 MPH	5 MPH					
AIC110015 (100)	UC	0.13	17	9.7	7.7	6.4	4.8	3.9	3.2	2.6	1.9	0.44	0.29	0.22	0.18	0.44	0.29	0.22	0.18	
	XC	0.15	19	11.1	8.9	7.4	5.6	4.5	3.7	3.0	2.2	0.51	0.34	0.26	0.20	0.51	0.34	0.26	0.20	
	VC	0.17	22	12.6	10.1	8.4	6.3	5.0	4.2	3.4	2.5	0.58	0.39	0.29	0.23	0.58	0.39	0.29	0.23	
	UC	0.18	23	13.4	10.7	8.9	6.7	5.3	4.5	3.6	2.7	0.61	0.41	0.31	0.24	0.61	0.41	0.31	0.24	
	VC	0.20	26	14.9	11.9	9.9	7.4	5.9	5.0	4.0	3.0	0.68	0.45	0.34	0.27	0.68	0.45	0.34	0.27	
	VC	0.21	27	15.6	12.5	10.4	7.8	6.2	5.2	4.2	3.1	0.71	0.48	0.36	0.29	0.71	0.48	0.36	0.29	
AIC11002 (50)	UC	0.23	29	17.1	13.7	11.4	8.5	6.8	5.7	4.6	3.4	0.78	0.52	0.39	0.31	0.78	0.52	0.39	0.31	
	XC	0.24	31	17.8	14.3	11.9	8.9	7.1	5.9	4.8	3.6	0.82	0.54	0.41	0.33	0.82	0.54	0.41	0.33	
	VC	0.17	22	12.6	10.1	8.4	6.3	5.0	4.2	3.4	2.5	0.58	0.39	0.29	0.23	0.58	0.39	0.29	0.23	
	XC	0.20	26	14.9	11.9	9.9	7.4	5.9	5.0	4.0	3.0	0.68	0.45	0.34	0.27	0.68	0.45	0.34	0.27	
	VC	0.22	28	16.3	13.1	10.9	8.2	6.5	5.4	4.4	3.3	0.75	0.50	0.37	0.30	0.75	0.50	0.37	0.30	
	VC	0.24	31	17.8	14.3	11.9	8.9	7.1	5.9	4.8	3.6	0.82	0.54	0.41	0.33	0.82	0.54	0.41	0.33	
AIC110025 (50)	UC	0.26	33	19.3	15.4	12.9	9.7	7.7	6.4	5.1	3.9	0.88	0.59	0.44	0.35	0.88	0.59	0.44	0.35	
	XC	0.28	36	21	16.6	13.9	10.4	8.3	6.9	5.5	4.2	0.95	0.63	0.48	0.38	0.95	0.63	0.48	0.38	
	VC	0.31	40	23	18.4	15.3	11.5	9.2	7.7	6.1	4.6	1.1	0.70	0.53	0.42	1.1	0.70	0.53	0.42	
	UC	0.33	42	25	19.6	16.3	12.3	9.8	8.2	6.5	4.9	1.1	0.75	0.56	0.45	1.1	0.75	0.56	0.45	
	VC	0.35	45	26	21	17.3	13.0	10.4	8.7	6.9	5.2	1.2	0.79	0.60	0.48	1.2	0.79	0.60	0.48	
	VC	0.38	49	28	23	18.8	14.1	11.3	9.4	7.5	5.6	1.3	0.86	0.65	0.52	1.3	0.86	0.65	0.52	
AIC11003 (50)	UC	0.40	51	30	24	19.8	14.9	11.9	9.9	7.9	5.9	1.4	0.91	0.68	0.54	1.4	0.91	0.68	0.54	
	XC	0.26	33	19.3	15.4	12.9	9.7	7.7	6.4	5.1	3.9	0.88	0.59	0.44	0.35	0.88	0.59	0.44	0.35	
	XC	0.30	38	22	17.8	14.9	11.1	8.9	7.4	6.2	5.0	3.7	0.85	0.57	0.43	0.34	3.7	0.85	0.57	0.43
	VC	0.34	44	25	20	16.8	12.6	10.1	8.4	6.7	5.0	1.2	0.77	0.58	0.46	1.2	0.77	0.58	0.46	
	VC	0.37	47	27	22	18.3	13.7	11.0	9.2	7.3	5.5	1.3	0.84	0.63	0.50	1.3	0.84	0.63	0.50	
	VC	0.40	51	30	24	19.8	14.9	11.9	9.9	7.9	5.9	1.4	0.91	0.68	0.54	1.4	0.91	0.68	0.54	
AIC11004 (50)	UC	0.42	54	31	25	21	15.6	12.5	10.4	8.3	6.2	1.4	0.95	0.71	0.57	1.4	0.95	0.71	0.57	
	XC	0.45	58	33	27	22	16.7	13.4	11.1	8.9	6.7	1.5	1.0	0.77	0.61	1.5	1.0	0.77	0.61	
	VC	0.47	60	35	28	23	17.4	14.0	11.6	9.3	7.0	1.6	1.1	0.80	0.64	1.6	1.1	0.80	0.64	
	UC	0.35	45	26	21	17.3	13.0	10.4	8.7	6.9	5.2	1.2	0.79	0.60	0.48	1.2	0.79	0.60	0.48	
	XC	0.40	51	30	24	19.8	14.9	11.9	9.9	7.9	5.9	1.4	0.91	0.68	0.54	1.4	0.91	0.68	0.54	
	VC	0.45	58	33	27	22	16.7	13.4	11.1	8.9	6.7	1.5	1.0	0.77	0.61	1.5	1.0	0.77	0.61	
AIC11005 (50)	UC	0.49	63	36	29	24	18.2	14.6	12.1	9.7	7.3	1.7	1.1	0.83	0.67	1.7	1.1	0.83	0.67	
	XC	0.53	68	39	31	26	19.7	15.7	13.1	10.5	7.9	1.8	1.2	0.90	0.72	1.8	1.2	0.90	0.72	
	VC	0.57	73	42	34	28	21	16.9	14.1	11.3	8.5	1.9	1.3	0.97	0.78	1.9	1.3	0.97	0.78	
	UC	0.60	77	45	36	30	22	17.8	14.9	11.9	8.9	2.0	1.4	1.0	0.82	2.0	1.4	1.0	0.82	
	VC	0.63	81	47	37	31	23	18.7	15.6	12.5	9.4	2.1	1.4	1.1	0.86	2.1	1.4	1.1	0.86	
	VC	0.43	55	32	26	21	16.0	12.8	10.6	8.5	6.4	1.5	0.97	0.73	0.58	1.5	0.97	0.73	0.58	
AIC11006 (50)	UC	0.50	64	37	30	25	18.6	14.9	12.4	9.9	7.4	1.7	1.1	0.85	0.68	1.7	1.1	0.85	0.68	
	XC	0.56	72	42	33	28	21	16.6	13.9	11.1	8.3	1.9	1.3	0.95	0.76	1.9	1.3	0.95	0.76	
	VC	0.61	78	45	36	30	23	18.1	15.1	12.1	9.1	2.1	1.4	1.0	0.83	2.1	1.4	1.0	0.83	
	UC	0.66	84	49	39	33	25	19.6	16.3	13.1	9.8	2.2	1.5	1.1	0.90	2.2	1.5	1.1	0.90	
	VC	0.71	91	53	42	35	26	21	17.6	14.1	10.5	2.4	1.6	1.2	0.97	2.4	1.6	1.2	0.97	
	VC	0.75	96	56	45	37	28	22	18.6	14.9	11.1	2.6	1.7	1.3	1.0	2.6	1.7	1.3	1.0	
AIC11008 (50)	UC	0.79	101	59	47	39	29	23	19.6	15.6	11.7	2.7	1.8	1.3	1.1	2.7	1.8	1.3	1.1	
	XC	0.52	67	39	31	26	19.3	15.4	12.9	10.3	7.7	1.8	1.2	0.88	0.71	1.8	1.2	0.88	0.71	
	XC	0.60	77	45	36	30	22	17.8	14.9	11.9	8.9	2.0	1.4	1.0	0.82	2.0	1.4	1.0	0.82	
	VC	0.67	86	50	40	33	25	19.9	16.6	13.3	9.9	2.3	1.5	1.1	0.91	2.3	1.5	1.1	0.91	
	VC	0.73	93	54	43	36	27	22	18.1	14.5	10.8	2.5	1.7	1.2	0.99	2.5	1.7	1.2	0.99	
	VC	0.79	101	59	47	39	29	23	19.6	15.6	11.7	2.7	1.8	1.3	1.1	2.7	1.8	1.3	1.1	
AIC11010	UC	0.85	109	63	50	42	32	25	21	16.8	12.6	2.9	1.9	1.4	1.2	2.9	1.9	1.4	1.2	
	XC	0.90	115	67	53	45	33	27	22	17.8	13.4	3.1	2.0	1.5	1.2	3.1	2.0	1.5	1.2	
	VC	0.95	122	71	56	47	35	28	24	18.8	14.1	3.2	2.2	1.6	1.3	3.2	2.2	1.6	1.3	
	UC	0.69	88	51	41	34	26	20	17.1	13.7	10.2	2.3	1.6	1.2	0.94	2.3	1.6	1.2	0.94	
	XC	0.80	102	59	48	40	30	24	19.8	15.8	11.9	2.7	1.8	1.4	1.1	2.7	1.8	1.4	1.1	
	VC	0.89	114	66	53	44	33	26	22	17.6	13.2	3.0	2.0	1.5	1.2	3.0	2.0	1.5	1.2	
AIC11015	UC	0.98	125	73	58	49	36	29	24	19.4	14.6	3.3	2.2	1.7	1.3	3.3	2.2	1.7	1.3	
	XC	1.06	136	79	63	52	39	31	26	21	15.7	3.6	2.4	1.8	1.4	3.6	2.4	1.8	1.4	
	VC	1.13	145	84	67	56	42	34	28	22	16.8	3.8	2.6	1.9	1.5	3.8	2.6	1.9	1.5	
	UC	1.20	154	89	71	59	45	36	30	24	17.8	4.1	2.7	2.0	1.6	4.1	2.7	2.0	1.6	
	VC	1.26	161	94	75	62	47	37	31	25	18.7	4.3	2.9	2.1	1.7	4.3	2.9	2.1	1.7	
	VC	0.87	111	65	52	43	32	26	22	17.2	12.9	3.0	2.0	1.5	1.2	3.0	2.0	1.5	1.2	

CONTACT PRODUCT	SYSTEMIC PRODUCT	DRIFT MANAGEMENT
GOOD	EXCELLENT	EXCELLENT



TEEJET SPRAY TIPS



TEEJET® VISIFLO® FLAT SPRAY TIPS

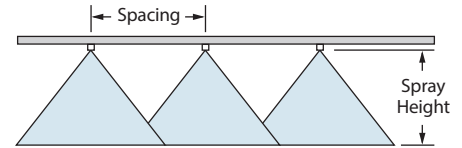


- Tapered edge flat spray pattern for uniform coverage in broadcast spraying.
- VisiFlo® color-coded version available in stainless steel, ceramic and polymer in 80° or 110° spray angles in selected sizes.
- Available in ceramic 80° capacities 01–02 and 110° capacities 01–015.
- Standard version (not color-coded) available in 15°, 25°, 40°, 50° and 65° spray angles in brass, stainless steel or hardened stainless steel.
- Automatic spray alignment with 25612-*-NYR Quick TeeJet® cap and gasket.

- Automatic spray alignment for sizes 10 through 20 with 25610-*-NYR Quick TeeJet cap and gasket.

TEEJET SPRAY TIPS

TI	PSI	DROP SIZE		CAPACITY ONE NOZZLE IN GPM	CAPACITY ONE NOZZLE IN OZ./MIN.	20°											
		80°	110°			GPA											
						4 MPH	5 MPH	6 MPH	8 MPH	10 MPH	12 MPH	15 MPH	20 MPH	2 MPH	3 MPH	4 MPH	5 MPH
TP650050†	30			0.043	5.5	3.2	2.6	2.1	1.6	1.3	1.1	0.85	0.64	0.15	0.10	0.07	0.06
TP800050†	35			0.047	6.0	3.5	2.8	2.3	1.7	1.4	1.2	0.93	0.70	0.16	0.11	0.08	0.06
TP1100050†	40			0.050	6.4	3.7	3.0	2.5	1.9	1.5	1.2	0.99	0.74	0.17	0.11	0.09	0.07
	50			0.056	7.2	4.2	3.3	2.8	2.1	1.7	1.4	1.1	0.83	0.19	0.13	0.10	0.08
	60			0.061	7.8	4.5	3.6	3.0	2.3	1.8	1.5	1.2	0.91	0.21	0.14	0.10	0.08
TP650067†	30			0.058	7.4	4.3	3.4	2.9	2.2	1.7	1.4	1.1	0.86	0.20	0.13	0.10	0.08
TP800067†	35			0.063	8.1	4.7	3.7	3.1	2.3	1.9	1.6	1.2	0.94	0.21	0.14	0.11	0.09
TP1100067†	40			0.067	8.6	5.0	4.0	3.3	2.5	2.0	1.7	1.3	0.99	0.23	0.15	0.11	0.09
	50			0.075	9.6	5.6	4.5	3.7	2.8	2.2	1.9	1.5	1.1	0.26	0.17	0.13	0.10
	60			0.082	10	6.1	4.9	4.1	3.0	2.4	2.0	1.6	1.2	0.28	0.19	0.14	0.11
TP6501†	30	F	F	0.087	11	6.5	5.2	4.3	3.2	2.6	2.2	1.7	1.3	0.30	0.20	0.15	0.12
TP8001	35	F	F	0.094	12	7.0	5.6	4.7	3.5	2.8	2.3	1.9	1.4	0.32	0.21	0.16	0.13
TP11001	40	F	F	0.10	13	7.4	5.9	5.0	3.7	3.0	2.5	2.0	1.5	0.34	0.23	0.17	0.14
	50	F	F	0.11	14	8.2	6.5	5.4	4.1	3.3	2.7	2.2	1.6	0.37	0.25	0.19	0.15
	60	F	VF	0.12	15	8.9	7.1	5.9	4.5	3.6	3.0	2.4	1.8	0.41	0.27	0.20	0.16
TP65015†	30	F	F	0.13	17	9.7	7.7	6.4	4.8	3.9	3.2	2.6	1.9	0.44	0.29	0.22	0.18
TP80015	35	F	F	0.14	18	10.4	8.3	6.9	5.2	4.2	3.5	2.8	2.1	0.48	0.32	0.24	0.19
TP110015	40	F	F	0.15	19	11.1	8.9	7.4	5.6	4.5	3.7	3.0	2.2	0.51	0.34	0.26	0.20
	50	F	F	0.17	22	12.6	10.1	8.4	6.3	5.0	4.2	3.4	2.5	0.58	0.39	0.29	0.23
	60	F	F	0.18	23	13.4	10.7	8.9	6.7	5.3	4.5	3.6	2.7	0.61	0.41	0.31	0.24
TP6502†	30	F	F	0.17	22	12.6	10.1	8.4	6.3	5.0	4.2	3.4	2.5	0.58	0.39	0.29	0.23
TP8002	35	F	F	0.19	24	14.1	11.3	9.4	7.1	5.6	4.7	3.8	2.8	0.65	0.43	0.32	0.26
TP11002	40	F	F	0.20	26	14.9	11.9	9.9	7.4	5.9	5.0	4.0	3.0	0.68	0.45	0.34	0.27
	50	F	F	0.22	28	16.3	13.1	10.9	8.2	6.5	5.4	4.4	3.3	0.75	0.50	0.37	0.30
	60	F	F	0.24	31	17.8	14.3	11.9	8.9	7.1	5.9	4.8	3.6	0.82	0.54	0.41	0.33
TP6503†	30	F	F	0.26	33	19.3	15.4	12.9	9.7	7.7	6.4	5.1	3.9	0.88	0.59	0.44	0.35
TP8003	35	F	F	0.28	36	21	16.6	13.9	10.4	8.3	6.9	5.5	4.2	0.95	0.63	0.48	0.38
TP11003	40	F	F	0.30	38	22	17.8	14.9	11.1	8.9	7.4	5.9	4.5	1.0	0.68	0.51	0.41
	50	F	F	0.34	44	25	20	16.8	12.6	10.1	8.4	6.7	5.0	1.2	0.77	0.58	0.46
	60	F	F	0.37	47	27	22	18.3	13.7	11.0	9.2	7.3	5.5	1.3	0.84	0.63	0.50
TP6504†	30	M	M	0.35	45	26	21	17.3	13.0	10.4	8.7	6.9	5.2	1.2	0.79	0.60	0.48
TP8004	35	M	M	0.37	47	27	22	18.3	13.7	11.0	9.2	7.3	5.5	1.3	0.84	0.63	0.50
TP11004	40	M	M	0.40	51	30	24	19.8	14.9	11.9	9.9	7.9	5.9	1.4	0.91	0.68	0.54
	50	F	F	0.45	58	33	27	22	16.7	13.4	11.1	8.9	6.7	1.5	1.0	0.77	0.61
	60	F	F	0.49	63	36	29	24	18.2	14.6	12.1	9.7	7.3	1.7	1.1	0.83	0.67
TP6505†	30	M	M	0.43	55	32	26	21	16.0	12.8	10.6	8.5	6.4	1.5	0.97	0.73	0.58
TP8005	35	M	M	0.47	60	35	28	23	17.4	14.0	11.6	9.3	7.0	1.6	1.1	0.80	0.64
TP11005	40	M	M	0.50	64	37	30	25	18.6	14.9	12.4	9.9	7.4	1.7	1.1	0.85	0.68
	50	M	F	0.56	72	42	33	28	21	16.6	13.9	11.1	8.3	1.9	1.3	0.95	0.76
	60	F	F	0.61	78	45	36	30	23	18.1	15.1	12.1	9.1	2.1	1.4	1.0	0.83
TP6506†	30	M	M	0.52	67	39	31	26	19.3	15.4	12.9	10.3	7.7	1.8	1.2	0.88	0.71
TP8006	35	M	M	0.56	72	42	33	28	21	16.6	13.9	11.1	8.3	1.9	1.3	0.95	0.76
TP11006	40	M	M	0.60	77	45	36	30	22	17.8	14.9	11.9	8.9	2.0	1.4	1.0	0.82
	50	M	M	0.67	86	50	40	33	25	19.9	16.6	13.3	9.9	2.3	1.5	1.1	0.91
	60	M	F	0.73	93	54	43	36	27	22	18.1	14.5	10.8	2.5	1.7	1.2	0.99
TP6508†	30	C	C	0.69	88	51	41	34	26	20	17.1	13.7	10.2	2.3	1.6	1.2	0.94
TP8008	35	C	M	0.75	96	56	45	37	28	22	18.6	14.9	11.1	2.6	1.7	1.3	1.0
TP11008	40	M	M	0.80	102	59	48	40	30	24	19.8	15.8	11.9	2.7	1.8	1.4	1.1
	50	M	M	0.89	114	66	53	44	33	26	22	17.6	13.2	3.0	2.0	1.5	1.2
	60	M	M	0.98	125	73	58	49	36	29	24	19.4	14.6	3.3	2.2	1.7	1.3
TP6510†	30	C	C	0.87	111	65	52	43	32	26	22	17.2	12.9	3.0	2.0	1.5	1.2
TP8010†	35	C	C	0.94	120	70	56	47	35	28	23	18.6	14.0	3.2	2.1	1.6	1.3
TP11010†	40	C	M	1.00	128	74	59	50	37	30	25	19.8	14.9	3.4	2.3	1.7	1.4
	50	C	M	1.12	143	83	67	55	42	33	28	22	16.6	3.8	2.5	1.9	1.5
	60	C	M	1.22	156	91	72	60	45	36	30	24	18.1	4.1	2.8	2.1	1.7
TP6515†	30	VC	VC	1.30	166	97	77	64	48	39	32	26	19.3	4.4	2.9	2.2	1.8
TP8015†	35	VC	VC	1.40	179	104	83	69	52	42	35	28	21	4.8	3.2	2.4	1.9
TP11015†	40	VC	VC	1.50	192	111	89	74	56	45	37	30	22	5.1	3.4	2.6	2.0
	50	C	C	1.68	215	125	100	83	62	50	42	33	25	5.7	3.8	2.9	2.3
	60	C	C	1.84	236	137	109	91	68	55	46	36	27	6.3	4.2	3.1	2.5
TP6520†	30			1.73	221	128	103	86	64	51	43	34	26	5.9	3.9	2.9	2.4
TP8020†	35			1.87	239	139	111	93	69	56	46	37	28	6.4	4.2	3.2	2.5
TP11020†	40			2.00	256	149	119	99	74	59	50	40	30	6.8	4.5	3.4	2.7
	50			2.24	287	166	133	111	83	67	55	44	33	7.6	5.1	3.8	3.0
	60			2.45	314	182	146	121	91	73	61	49	36	8.3	5.6	4.2	3.3



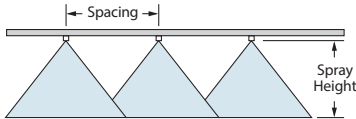
Optimum Spray Height

Spray Angle	Optimum Spray Height
65°	90 cm
80°	75 cm
110°	50 cm

TURBO FLOODJET® WIDE ANGLE FLAT SPRAY TIPS



- Excellent spray distribution for uniform coverage along the boom.
- Nozzle design incorporates a pre-orifice to produce larger droplets for less drift.
- Large, round orifice reduces clogging.
- Stainless steel or polymer with VisiFlo® color-coding band for easy size identification.
- Can be used with CP25600-*-NYR Quick TeeJet® cap and gasket for automatic alignment.



Optimum Spray Height

50 cm	60 cm*
75 cm	75 cm*
100 cm	100 cm*

*Wide angle spray nozzle height is influenced by nozzle orientation. The critical factor is to achieve a minimum 30% overlap.

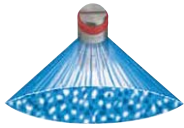
QCT Cam Lever Coupling Adapter

- Provides easy changeover from high capacity to lower capacity nozzles.
- Adapter fits standard 3/4" Cam lever coupling.
- Corrosion-resistant stainless steel and polypropylene construction.
- Rated up to 100 PSI (7 bar).
- Use QJT-NYB to retrofit to Quick TeeJet.



TEEJET SPRAY TIPS

TIPOLOGY	PSI	DROP SIZE	CAPACITY ONE NOZZLE IN GPM	CAPACITY ONE NOZZLE IN OZ./MIN.	40"								20"			
					GPA								GALLONS PER 1000 SQ. FT.			
					4 MPH	5 MPH	6 MPH	8 MPH	10 MPH	12 MPH	15 MPH	20 MPH	2 MPH	3 MPH	4 MPH	5 MPH
TF-†2 (50)	10	UC	0.20	26	7.4	5.9	5.0	3.7	3.0	2.5	2.0	1.5	0.68	0.45	0.34	0.27
	20	XC	0.28	36	10.4	8.3	6.9	5.2	4.2	3.5	2.8	2.1	0.95	0.63	0.48	0.38
	30	XC	0.35	45	13.0	10.4	8.7	6.5	5.2	4.3	3.5	2.6	1.2	0.79	0.60	0.48
	40	VC	0.40	51	14.9	11.9	9.9	7.4	5.9	5.0	4.0	3.0	1.4	0.91	0.68	0.54
TF-†2.5 (50)	10	UC	0.25	32	9.3	7.4	6.2	4.6	3.7	3.1	2.5	1.9	0.85	0.57	0.43	0.34
	20	UC	0.35	45	13.0	10.4	8.7	6.5	5.2	4.3	3.5	2.6	1.2	0.79	0.60	0.48
	30	XC	0.43	55	16.0	12.8	10.6	8.0	6.4	5.3	4.3	3.2	1.5	0.97	0.73	0.58
	40	XC	0.50	64	18.6	14.9	12.4	9.3	7.4	6.2	5.0	3.7	1.7	1.1	0.85	0.68
TF-†3 (50)	10	UC	0.30	38	11.1	8.9	7.4	5.6	4.5	3.7	3.0	2.2	1.0	0.68	0.51	0.41
	20	UC	0.42	54	15.6	12.5	10.4	7.8	6.2	5.2	4.2	3.1	1.4	0.95	0.71	0.57
	30	XC	0.52	67	19.3	15.4	12.9	9.7	7.7	6.4	5.1	3.9	1.8	1.2	0.88	0.71
	40	XC	0.60	77	22	17.8	14.9	11.1	8.9	7.4	5.9	4.5	2.0	1.4	1.0	0.82
TF-†4 (50)	10	UC	0.40	51	14.9	11.9	9.9	7.4	5.9	5.0	4.0	3.0	1.4	0.91	0.68	0.54
	20	UC	0.57	73	21	16.9	14.1	10.6	8.5	7.1	5.6	4.2	1.9	1.3	0.97	0.78
	30	XC	0.69	88	26	20	17.1	12.8	10.2	8.5	6.8	5.1	2.3	1.6	1.2	0.94
	40	XC	0.80	102	30	24	19.8	14.9	11.9	9.9	7.9	5.9	2.7	1.8	1.4	1.1
TF-†5	10	UC	0.50	64	18.6	14.9	12.4	9.3	7.4	6.2	5.0	3.7	1.7	1.1	0.85	0.68
	20	UC	0.71	91	26	21	17.6	13.2	10.5	8.8	7.0	5.3	2.4	1.6	1.2	0.97
	30	UC	0.87	111	32	26	22	16.1	12.9	10.8	8.6	6.5	3.0	2.0	1.5	1.2
	40	XC	1.00	128	37	30	25	18.6	14.9	12.4	9.9	7.4	3.4	2.3	1.7	1.4
TF-†7.5	10	UC	0.75	96	28	22	18.6	13.9	11.1	9.3	7.4	5.6	2.6	1.7	1.3	1.0
	20	UC	1.06	136	39	31	26	19.7	15.7	13.1	10.5	7.9	3.6	2.4	1.8	1.4
	30	UC	1.30	166	48	39	32	24	19.3	16.1	12.9	9.7	4.4	2.9	2.2	1.8
	40	XC	1.50	192	56	45	37	28	22	18.6	14.9	11.1	5.1	3.4	2.6	2.0
TF-†10	10	UC	1.00	128	37	30	25	18.6	14.9	12.4	9.9	7.4	3.4	2.3	1.7	1.4
	20	UC	1.41	180	52	42	35	26	21	17.4	14.0	10.5	4.8	3.2	2.4	1.9
	30	UC	1.73	221	64	51	43	32	26	21	17.1	12.8	5.9	3.9	2.9	2.4
	40	XC	2.00	256	74	59	50	37	30	25	19.8	14.9	6.8	4.5	3.4	2.7



TURFJET® WIDE ANGLE FLAT SPRAY TIPS



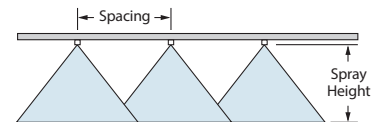
- Can be used with Quick TeeJet® cap QJ4676-*-NYR.
- Very large droplets.
- Direct replacement for plastic hollow-cone, low-drift nozzles.
- More precise flow and distribution pattern.
- Large orifice reduces clogging.
- Nozzle spacing—20–40 (50–100 cm).
- Spraying pressure—25–75 PSI (1.5–5 bar).

TEEJET SPRAY TIPS

TIPO	PSI	DROP SIZE	CAPACITY ONE NOZZLE IN GPM	CAPACITY ONE NOZZLE IN OZ./MIN.	40°								20°			
					GPA								GALLONS PER 1000 SQ. FT.			
					4 MPH	5 MPH	6 MPH	8 MPH	10 MPH	12 MPH	15 MPH	20 MPH	2 MPH	3 MPH	4 MPH	5 MPH
1/4TTJ02 (50)	25 UC	0.16	20	5.9	4.8	4.0	3.0	2.4	2.0	1.6	1.2	0.54	0.36	0.27	0.22	
	30 UC	0.17	22	6.3	5.0	4.2	3.2	2.5	2.1	1.7	1.3	0.58	0.39	0.29	0.23	
	40 UC	0.20	26	7.4	5.9	5.0	3.7	3.0	2.5	2.0	1.5	0.68	0.45	0.34	0.27	
	50 XC	0.22	28	8.2	6.5	5.4	4.1	3.3	2.7	2.2	1.6	0.75	0.50	0.37	0.30	
	60 XC	0.24	31	8.9	7.1	5.9	4.5	3.6	3.0	2.4	1.8	0.82	0.54	0.41	0.33	
1/4TTJ04 (50)	25 UC	0.32	41	11.9	9.5	7.9	5.9	4.8	4.0	3.2	2.4	1.1	0.73	0.54	0.44	
	30 UC	0.35	45	13.0	10.4	8.7	6.5	5.2	4.3	3.5	2.6	1.2	0.79	0.60	0.48	
	40 UC	0.40	51	14.9	11.9	9.9	7.4	5.9	5.0	4.0	3.0	1.4	0.91	0.68	0.54	
	50 UC	0.45	58	16.7	13.4	11.1	8.4	6.7	5.6	4.5	3.3	1.5	1.0	0.77	0.61	
	60 UC	0.49	63	18.2	14.6	12.1	9.1	7.3	6.1	4.9	3.6	1.7	1.1	0.83	0.67	
1/4TTJ05 (50)	25 UC	0.55	70	20	16.3	13.6	10.2	8.2	6.8	5.4	4.1	1.9	1.2	0.94	0.75	
	30 UC	0.40	51	14.9	11.9	9.9	7.4	5.9	5.0	4.0	3.0	1.4	0.91	0.68	0.54	
	40 UC	0.43	55	16.0	12.8	10.6	8.0	6.4	5.3	4.3	3.2	1.5	0.97	0.73	0.58	
	50 UC	0.50	64	18.6	14.9	12.4	9.3	7.4	6.2	5.0	3.7	1.7	1.1	0.85	0.68	
	60 UC	0.56	72	21	16.6	13.9	10.4	8.3	6.9	5.5	4.2	1.9	1.3	0.95	0.76	
1/4TTJ06 (50)	25 UC	0.61	78	23	18.1	15.1	11.3	9.1	7.5	6.0	4.5	2.1	1.4	1.0	0.83	
	30 UC	0.67	86	25	19.9	16.6	12.4	9.9	8.3	6.6	5.0	2.3	1.5	1.1	0.91	
	40 UC	0.73	93	27	22	18.1	13.6	10.8	9.0	7.2	5.4	2.5	1.7	1.2	0.99	
	50 UC	0.82	105	30	24	20	15.2	12.2	10.1	8.1	6.1	2.8	1.9	1.4	1.1	
	60 UC	0.82	105	30	24	20	15.2	12.2	10.1	8.1	6.1	2.8	1.9	1.4	1.1	
1/4TTJ08	25 UC	0.47	60	17.4	14.0	11.6	8.7	7.0	5.8	4.7	3.5	1.6	1.1	0.80	0.64	
	30 UC	0.52	67	19.3	15.4	12.9	9.7	7.7	6.4	5.1	3.9	1.8	1.2	0.88	0.71	
	40 UC	0.60	77	22	17.8	14.9	11.1	8.9	7.4	5.9	4.5	2.0	1.4	1.0	0.82	
	50 UC	0.67	86	25	19.9	16.6	12.4	9.9	8.3	6.6	5.0	2.3	1.5	1.1	0.91	
	60 UC	0.73	93	27	22	18.1	13.6	10.8	9.0	7.2	5.4	2.5	1.7	1.2	0.99	
1/4TTJ10	25 UC	0.82	105	30	24	20	15.2	12.2	10.1	8.1	6.1	2.8	1.9	1.4	1.1	
	30 UC	0.63	81	23	18.7	15.6	11.7	9.4	7.8	6.2	4.7	2.1	1.4	1.1	0.86	
	40 UC	0.69	88	26	20	17.1	12.8	10.2	8.5	6.8	5.1	2.3	1.6	1.2	0.94	
	50 UC	0.80	102	30	24	19.8	14.9	11.9	9.9	7.9	5.9	2.7	1.8	1.4	1.1	
	60 UC	0.89	114	33	26	22	16.5	13.2	11.0	8.8	6.6	3.0	2.0	1.5	1.2	
1/4TTJ15	25 UC	0.79	101	29	23	19.6	14.7	11.7	9.8	7.8	5.9	2.7	1.8	1.3	1.1	
	30 UC	0.87	111	32	26	22	16.1	12.9	10.8	8.6	6.5	3.0	2.0	1.5	1.2	
	40 UC	1.00	128	37	30	25	18.6	14.9	12.4	9.9	7.4	3.4	2.3	1.7	1.4	
	50 UC	1.12	143	42	33	28	21	16.6	13.9	11.1	8.3	3.8	2.5	1.9	1.5	
	60 UC	1.22	156	45	36	30	23	18.1	15.1	12.1	9.1	4.1	2.8	2.1	1.7	
1/4TTJ15	25 UC	1.37	175	51	41	34	25	20	17.0	13.6	10.2	4.7	3.1	2.3	1.9	
	30 UC	1.19	152	44	35	29	22	17.7	14.7	11.8	8.8	4.0	2.7	2.0	1.6	
	40 UC	1.30	166	48	39	32	24	19.3	16.1	12.9	9.7	4.4	2.9	2.2	1.8	
	50 UC	1.50	192	56	45	37	28	22	18.6	14.9	11.1	5.1	3.4	2.6	2.0	
	60 UC	1.68	215	62	50	42	31	25	21	16.6	12.5	5.7	3.8	2.9	2.3	
75 UC	1.84	236	68	55	46	34	27	23	18.2	13.7	6.3	4.2	3.1	2.5		
75 UC	2.05	262	76	61	51	38	30	25	20	15.2	7.0	4.6	3.5	2.8		

QJ4676-90-1/4-NYR

- 90° fitting attaches to Quick TeeJet bodies—1/4" female threaded outlet.
- Simple installation of TurfJet nozzles on vertical nozzle bodies.
- Nylon construction.



Optimum Spray Height

50 cm	60 cm*
75 cm	75 cm*
100 cm	100 cm*

*Wide angle spray nozzle height is influenced by nozzle orientation. The critical factor is to achieve a minimum 30% overlap.

XP BOOMJET® BOOMLESS FLAT SPRAY NOZZLES

Typical Applications:

- Boomless field spray applications.
- Roadside and right-of-way applications.
- End row spraying.
- Orchard spraying.
- De-icing applications.
- Forestry.

How to order:

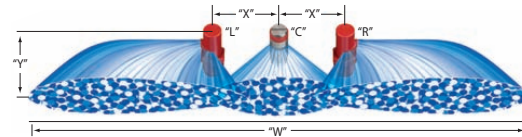
Specify part number.

Example:

(B)1/2XP80L(R)-VS – VisiFlo® Stainless Steel left boom spray

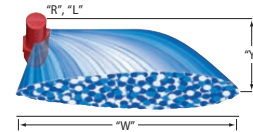
Features:

- Unique orifice geometry produces a wide spray pattern while maintaining superior distribution across entire width.
- Pre-orifice design minimizes drift.
- Extra wide spray pattern—up to 18.58 (5.5 meters)—using a single nozzle.
- Removable polymer pre-orifice.
- Acetal or stainless steel construction for excellent chemical resistance.
- Recommended spray pressure range: 20–60 PSI (1.5–4 bar).
- NPT or BSPT (male) threads for easy installation.
- Color-coding for easy capacity identification.



NOZZLE "R", "L"	CENTER NOZZLE "C"	PSI	DROP SIZE	CAPACITY THREE NOZZLES IN GPM	SPRAY WIDTH "W" (FEET)		HEIGHT "Y" = 24"										HEIGHT "Y" = 36"									
					24" HEIGHT	36" HEIGHT	GPA FOR THREE NOZZLES					GALLONS PER 1000 SQ. FT.					GPA FOR THREE NOZZLES					GALLONS PER 1000 SQ. FT.				
							4 MPH	6 MPH	8 MPH	10 MPH	15 MPH	20 MPH	2 MPH	3 MPH	4 MPH	5 MPH	4 MPH	6 MPH	8 MPH	10 MPH	15 MPH	20 MPH	2 MPH	3 MPH	4 MPH	5 MPH
(B)1/4XP10R (B)1/4XP10L	1/4TTJ08	30	UC	2.43	23.3	25.3	12.9	8.6	6.5	5.2	3.4	2.6	0.59	0.39	0.30	0.24	11.9	7.9	5.9	4.8	3.2	2.4	0.54	0.36	0.27	0.22
		40	UC	2.80	25.3	28.3	13.7	9.1	6.8	5.5	3.7	2.7	0.63	0.42	0.31	0.25	12.2	8.2	6.1	4.9	3.3	2.4	0.56	0.37	0.28	0.22
		60	UC	3.13	28.3	30.3	13.7	9.1	6.8	5.5	3.6	2.7	0.63	0.42	0.31	0.25	12.8	8.5	6.4	5.1	3.4	2.6	0.59	0.39	0.29	0.23
(B)1/4XP20R (B)1/4XP20L	1/4TTJ08	30	UC	4.19	26.3	27.3	19.7	13.1	9.9	7.9	5.3	3.9	0.90	0.60	0.45	0.36	19.0	12.7	9.5	7.6	5.1	3.8	0.87	0.58	0.43	0.35
		40	UC	4.80	30.3	31.3	19.6	13.1	9.8	7.8	5.2	3.9	0.90	0.60	0.45	0.36	19.0	12.7	9.5	7.6	5.1	3.8	0.87	0.58	0.43	0.35
		50	UC	5.39	32.3	33.3	21	13.8	10.3	8.3	5.5	4.1	0.95	0.63	0.47	0.38	20	13.4	10.0	8.0	5.3	4.0	0.92	0.61	0.46	0.37
(B)1/4XP25R (B)1/4XP25L	1/4TTJ10	30	UC	5.13	27.3	30.3	23	15.5	11.6	9.3	6.2	4.7	1.1	0.71	0.53	0.43	21	14.0	10.5	8.4	5.6	4.2	0.96	0.64	0.48	0.38
		40	UC	6.00	30.3	32.3	25	16.3	12.3	9.8	6.5	4.9	1.1	0.75	0.56	0.45	23	15.3	11.5	9.2	6.1	4.6	1.1	0.70	0.53	0.42
		50	UC	6.62	32.3	33.3	25	16.9	12.7	10.1	6.8	5.1	1.2	0.77	0.58	0.46	25	16.4	12.3	9.8	6.6	4.9	1.1	0.75	0.56	0.45
(B)1/2XP40R (B)1/2XP40L	1/4TTJ15	30	UC	8.36	29.3	32.3	35	24	17.7	14.1	9.4	7.1	1.6	1.1	0.81	0.65	32	21	16.0	12.8	8.5	6.4	1.5	0.98	0.73	0.59
		40	UC	9.50	31.3	34.3	38	25	18.8	15.0	10.0	7.5	1.7	1.1	0.86	0.69	34	23	17.1	13.7	9.1	6.9	1.6	1.0	0.78	0.63
		50	UC	10.8	33.3	35.3	40	27	20	16.1	10.7	8.0	1.8	1.2	0.92	0.74	38	25	18.9	15.1	10.1	7.6	1.7	1.2	0.87	0.69
60	UC	11.8	35.3	38.3	41	28	21	16.5	11.0	8.3	1.9	1.3	0.95	0.76	38	25	19.1	15.3	10.2	7.6	1.7	1.2	0.87	0.70		

Note: Always double check your application rates. Tabulations are based on spraying water at 70°F (21°C). See pages 136–157 for drop size classification, useful formulas and other information.
For lower chart only, application rates are identical for a two-tip setup. Swath width and flow capacity will be doubled for a two-tip setup.

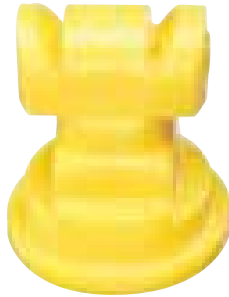


(B)=BSPT

NOZZLE "R", "L"	PSI	DROP SIZE	CAPACITY ONE NOZZLE IN GPM	SPRAY WIDTH "W" (FEET)		HEIGHT "Y" = 24"										HEIGHT "Y" = 36"									
				24" HEIGHT	36" HEIGHT	GPA FOR ONE NOZZLE					GALLONS PER 1000 SQ. FT.					GPA FOR ONE NOZZLE					GALLONS PER 1000 SQ. FT.				
						4 MPH	6 MPH	8 MPH	10 MPH	15 MPH	20 MPH	2 MPH	3 MPH	4 MPH	5 MPH	4 MPH	6 MPH	8 MPH	10 MPH	15 MPH	20 MPH	2 MPH	3 MPH	4 MPH	5 MPH
(B)1/4XP10R (B)1/4XP10L	20	UC	0.71	8.5	10.0	10.3	6.9	5.2	4.1	2.8	2.1	0.47	0.32	0.24	0.19	8.8	5.9	4.4	3.5	2.3	1.8	0.40	0.27	0.20	0.16
	30	UC	0.87	10.0	11.0	10.8	7.2	5.4	4.3	2.9	2.2	0.49	0.33	0.25	0.20	9.8	6.5	4.9	3.9	2.6	2.0	0.45	0.30	0.22	0.18
	40	UC	1.00	11.0	12.5	11.3	7.5	5.6	4.5	3.0	2.3	0.52	0.34	0.26	0.21	9.9	6.6	5.0	4.0	2.6	2.0	0.45	0.30	0.23	0.18
(B)1/4XP20R (B)1/4XP20L	20	UC	1.42	9.0	11.0	19.5	13.0	9.8	7.8	5.2	3.9	0.89	0.60	0.45	0.36	16.0	10.7	8.0	6.4	4.3	3.2	0.73	0.49	0.37	0.29
	30	UC	1.75	11.5	12.0	18.8	12.6	9.4	7.5	5.0	3.8	0.86	0.57	0.43	0.34	18.0	12.0	9.0	7.2	4.8	3.6	0.83	0.55	0.41	0.33
	40	UC	2.00	13.5	14.0	18.3	12.2	9.2	7.3	4.9	3.7	0.84	0.56	0.42	0.34	17.7	11.8	8.8	7.1	4.7	3.5	0.81	0.54	0.40	0.32
(B)1/4XP25R (B)1/4XP25L	20	UC	2.25	14.5	15.0	19.2	12.8	9.6	7.7	5.1	3.8	0.88	0.59	0.44	0.35	18.6	12.4	9.3	7.4	5.0	3.7	0.85	0.57	0.43	0.34
	30	UC	2.50	15.0	16.0	21	13.8	10.3	8.3	5.5	4.1	0.94	0.63	0.47	0.38	19.3	12.9	9.7	7.7	5.2	3.9	0.89	0.59	0.44	0.35
	40	UC	2.74	16.5	17.0	21	13.7	10.3	8.2	5.5	4.1	0.94	0.63	0.47	0.38	19.6	13.1	9.8	7.8	5.2	3.9	0.90	0.60	0.45	0.36
(B)1/2XP40R (B)1/2XP40L	20	UC	2.13	12.0	13.5	22	14.6	11.0	8.8	5.9	4.4	1.0	0.67	0.50	0.40	19.5	13.0	9.8	7.8	5.2	3.9	0.89	0.60	0.45	0.36
	30	UC	2.50	13.5	14.5	23	15.3	11.5	9.2	6.1	4.6	1.0	0.70	0.52	0.42	21	14.2	10.7	8.5	5.7	4.3	0.98	0.65	0.49	0.39
	40	UC	2.75	14.5	15.0	23	15.6	11.7	9.4	6.3	4.7	1.1	0.72	0.54	0.43	23	15.1	11.3	9.1	6.1	4.5	1.0	0.69	0.52	0.42
(B)1/2XP80R (B)1/2XP80L	20	UC	3.00	15.0	16.0	25	16.5	12.4	9.9	6.6	5.0	1.1	0.76	0.57	0.45	23	15.5	11.6	9.3	6.2	4.6	1.1	0.71	0.53	0.43
	30	UC	2.87	11.0	12.0	32	22	16.1	12.9	8.6	6.5	1.5	0.99	0.74	0.59	30	19.7	14.8	11.8	7.9	5.9	1.4	0.90	0.68	0.54
	40	UC	3.53	13.0	14.5	34	22	16.8	13.4	9.0	6.7	1.5	1.0	0.77	0.62	30	20	15.1	12.1	8.0	6.0	1.4	0.92	0.69	0.55
(B)1/2XP80R (B)1/2XP80L	20	UC	4.00	14.0	15.5	35	24	17.7	14.1	9.4	7.1	1.6	1.1	0.81	0.65	32	21	16.0	12.8	8.5	6.4	1.5	0.97	0.73	0.58
	30	UC	4.55	15.0	16.0	38	25	18.8	15.0	10.0	7.5	1.7	1.1	0.86	0.69	35	23	17.6	14.1	9.4	7.0	1.6	1.1	0.81	0.64
	40	UC	5.00	16.0	17.5	39	26	19.3	15.5	10.3	7.7	1.8	1.2	0.89	0.71	35	24	17.7	14.1	9.4	7.1	1.6	1.1	0.81	0.65
(B)1/2XP80R (B)1/2XP80L	20	UC	5.60	13.0	15.5	53	36	27	21	14.2	10.7	2.4	1.6	1.2	0.98	45	30	22	17.9	11.9	8.9	2.0	1.4	1.0	0.82
	30	UC	6.83	15.0	16.5	56	38	28	23	15.0	11.3	2.6	1.7	1.3	1.0	51	34	26	20	13.7	10.2	2.3	1.6	1.2	0.94
	40	UC	8.00	16.0	17.5	62	41	31	25	16.5	12.4	2.8	1.9	1.4	1.1	57	38	28	23	15.1	11.3	2.6	1.7	1.3	1.0
(B)1/2XP80R (B)1/2XP80L	50	UC	8.73	16.5	18.0	65	44	33	26	17.5	13.1	3.0	2.0	1.5	1.2	60	40	30	24	16.0	12.0	2.7	1.8	1.4	1.1
	60	UC	9.60	17.5	18.5	68	45	34	27	18.1	13.6	3.1	2.1	1.6	1.2	64	43	32	26	17.1	12.8	2.9	2.0	1.5	1.2



TURBO TWINJET® TWIN FLAT SPRAY TIPS

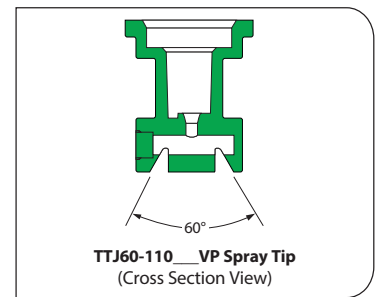


Features:

- Dual outlet design produces two 110° flat fan spray patterns using the patented technology from the Turbo TeeJet® nozzle. The angle between each spray pattern is 60° forward and back.
- Best suited for broadcast spraying where superior leaf coverage and canopy penetration is important.
- Droplet size range is slightly larger than for the same capacity Turbo TeeJet nozzle providing drift-reducing properties with increased canopy coverage and penetration.
- Molded polymer for excellent chemical and wear resistance.
- Available in six VisiFlo® color-coded capacities with pressure ranges from 20–90 PSI (1.5–6 bar).
- Ideal for use with automatic sprayer controllers.
- Automatic alignment when used with 25612*-NYR Quick TeeJet® cap and gasket.

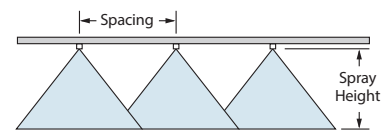
TEEJET SPRAY TIPS

TIPOLOGY	PSI	DROPSIZE	CAPACITY ONE NOZZLE IN GPM	CAPACITY ONE NOZZLE IN OZ./MIN.	20°															
					GPA								GALLONS PER 1000 SQ. FT.							
					4 MPH	5 MPH	6 MPH	8 MPH	10 MPH	12 MPH	15 MPH	20 MPH	2 MPH	3 MPH	4 MPH	5 MPH				
TTJ60-11002 (100)	20	C	0.14	18	10.4	8.3	6.9	5.2	4.2	3.5	2.8	2.1	0.48	0.32	0.24	0.19	0.20	0.15	0.12	0.09
	30	C	0.17	22	12.6	10.1	8.4	6.3	5.0	4.2	3.4	2.5	0.58	0.39	0.29	0.23	0.25	0.19	0.15	0.11
	40	C	0.20	26	14.9	11.9	9.9	7.4	5.9	5.0	4.0	3.0	0.68	0.45	0.34	0.27	0.30	0.23	0.18	0.14
	50	M	0.22	28	16.3	13.1	10.9	8.2	6.5	5.4	4.4	3.3	0.75	0.50	0.37	0.30	0.35	0.27	0.21	0.16
	60	M	0.24	31	17.8	14.3	11.9	8.9	7.1	5.9	4.8	3.6	0.82	0.54	0.41	0.33	0.40	0.31	0.24	0.18
	70	M	0.26	33	19.3	15.4	12.9	9.7	7.7	6.4	5.1	3.9	0.88	0.59	0.44	0.35	0.45	0.35	0.27	0.20
TTJ60-110025 (100)	20	VC	0.18	23	13.4	10.7	8.9	6.7	5.3	4.5	3.6	2.7	0.61	0.41	0.31	0.24	0.28	0.21	0.16	0.12
	30	C	0.22	28	16.3	13.1	10.9	8.2	6.5	5.4	4.4	3.3	0.75	0.50	0.37	0.30	0.35	0.27	0.21	0.16
	40	C	0.25	32	18.6	14.9	12.4	9.3	7.4	6.2	5.0	3.7	0.85	0.57	0.43	0.34	0.40	0.31	0.24	0.18
	50	C	0.28	36	21	16.6	13.9	10.4	8.3	6.9	5.5	4.2	0.95	0.63	0.48	0.38	0.45	0.35	0.27	0.20
	60	C	0.31	40	23	18.4	15.3	11.5	9.2	7.7	6.1	4.6	1.1	0.70	0.53	0.42	0.50	0.39	0.30	0.23
	70	M	0.33	42	25	19.6	16.3	12.3	9.8	8.2	6.5	4.9	1.1	0.75	0.56	0.45	0.55	0.43	0.34	0.26
TTJ60-11003 (100)	20	VC	0.21	27	15.6	12.5	10.4	7.8	6.2	5.2	4.2	3.1	0.71	0.48	0.36	0.29	0.32	0.24	0.18	0.14
	30	C	0.26	33	19.3	15.4	12.9	9.7	7.7	6.4	5.1	3.9	0.88	0.59	0.44	0.35	0.40	0.31	0.24	0.18
	40	C	0.30	38	22	17.8	14.9	11.1	8.9	7.4	5.9	4.5	1.0	0.68	0.51	0.41	0.45	0.35	0.27	0.20
	50	C	0.34	44	25	20	16.8	12.6	10.1	8.4	6.7	5.0	1.2	0.77	0.58	0.46	0.50	0.39	0.30	0.23
	60	C	0.37	47	27	22	18.3	13.7	11.0	9.2	7.3	5.5	1.3	0.84	0.63	0.50	0.55	0.43	0.34	0.26
	70	C	0.40	51	30	24	19.8	14.9	11.9	9.9	7.9	5.9	1.4	0.91	0.68	0.54	0.60	0.47	0.37	0.28
TTJ60-11004 (50)	20	VC	0.28	36	21	16.6	13.9	10.4	8.3	6.9	5.5	4.2	0.95	0.63	0.48	0.38	0.45	0.35	0.27	0.20
	30	C	0.35	45	26	21	17.3	13.0	10.4	8.7	6.9	5.2	1.2	0.79	0.60	0.48	0.50	0.39	0.30	0.23
	40	C	0.40	51	30	24	19.8	14.9	11.9	9.9	7.9	5.9	1.4	0.91	0.68	0.54	0.55	0.43	0.34	0.26
	50	C	0.45	58	33	27	22	16.7	13.4	11.1	8.9	6.7	1.5	1.0	0.77	0.61	0.60	0.47	0.37	0.28
	60	C	0.49	63	36	29	24	18.2	14.6	12.1	9.7	7.3	1.7	1.1	0.83	0.67	0.65	0.51	0.40	0.31
	70	C	0.53	68	39	31	26	19.7	15.7	13.1	10.5	7.9	1.8	1.2	0.90	0.72	0.70	0.55	0.44	0.34
TTJ60-11005 (50)	20	VC	0.35	45	26	21	17.3	13.0	10.4	8.7	6.9	5.2	1.2	0.79	0.60	0.48	0.50	0.39	0.30	0.23
	30	C	0.43	55	32	26	21	16.0	12.8	10.6	8.5	6.4	1.5	0.97	0.73	0.58	0.55	0.43	0.34	0.26
	40	C	0.50	64	37	30	25	18.6	14.9	12.4	9.9	7.4	1.7	1.1	0.85	0.68	0.60	0.47	0.37	0.28
	50	C	0.56	72	42	33	28	21	16.6	13.9	11.1	8.3	1.9	1.3	0.95	0.76	0.65	0.51	0.40	0.31
	60	C	0.61	78	45	36	30	23	18.1	15.1	12.1	9.1	2.1	1.4	1.0	0.83	0.70	0.55	0.44	0.34
	70	C	0.66	84	49	39	33	25	19.6	16.3	13.1	9.8	2.2	1.5	1.1	0.90	0.75	0.59	0.47	0.36
TTJ60-11006 (50)	20	VC	0.42	54	31	25	21	15.6	12.5	10.4	8.3	6.2	1.4	0.95	0.71	0.57	0.60	0.47	0.37	0.28
	30	C	0.52	67	39	31	26	19.3	15.4	12.9	10.3	7.7	1.8	1.2	0.88	0.71	0.65	0.51	0.40	0.31
	40	C	0.60	77	45	36	30	22	17.8	14.9	11.9	8.9	2.0	1.4	1.0	0.82	0.70	0.55	0.44	0.34
	50	C	0.67	86	50	40	33	25	19.9	16.6	13.3	9.9	2.3	1.5	1.1	0.91	0.75	0.59	0.47	0.36
	60	C	0.73	93	54	43	36	27	22	18.1	14.5	10.8	2.5	1.7	1.2	0.99	0.80	0.63	0.51	0.40
	70	C	0.79	101	59	47	39	29	23	19.6	15.6	11.7	2.7	1.8	1.3	1.1	0.85	0.67	0.54	0.42

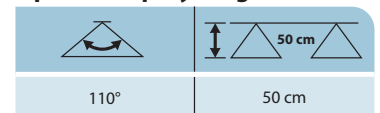


CONTACT PRODUCT	SYSTEMIC PRODUCT	DRIFT MANAGEMENT
EXCELLENT	EXCELLENT	VERY GOOD
VERY GOOD*	EXCELLENT*	EXCELLENT*

*At pressures below 30 PSI (2.0 bar)



Optimum Spray Height



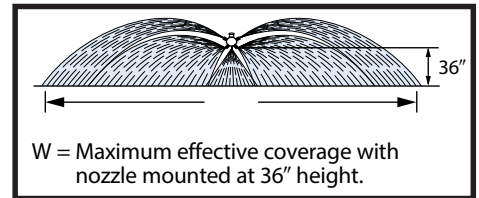
BOOMJET® NOZZLES WITH EXTRA-WIDE FLAT SPRAY PROJECTION



5880-3/4 NPT Female
Back inlet connection.
Weight: Brass 2 lbs.

Type 5880 BoomJet nozzle is used for spraying areas not easily accessed with a boom sprayer. It combines two off-center tips and three VeeJet® nozzles to produce an overall wide swath flat spray. The nozzle assembly provides good distribution considering the wide pattern coverage obtained; however, the uniformity is not as good as with a properly operated boom sprayer.* Supplied with one additional ¼ NPT pipe plug and one blank tip for setting BoomJet to one side only. Also has a ¼ NPT pressure gauge port.

* Uniformity can be optimized by double overlapping spray swaths on successive sprayer passes. Remember, this also doubles the application volume.



PART NUMBER	BACK INLET CONNECTION	NOZZLE	MESH STRAINER	PSI	GPM	"W" (FEET)	GPA					GALLONS PER 1000 SQ. FT.			
							4 MPH	5 MPH	7.5 MPH	10 MPH	15 MPH	2 MPH	3 MPH	4 MPH	5 MPH
5430-3/4-2TOC06 5880-3/4-2TOC06	6733-OC06	H1/4VV-1506	H1/4VVL-9502 with 50 mesh strainer	20	1.84	33.5	6.8	5.4	3.6	2.7	1.8	0.31	0.21	0.16	0.12
				30	2.25	34	8.2	6.6	4.4	3.3	2.2	0.38	0.25	0.19	0.15
				40	2.60	34.5	9.3	7.5	5.0	3.7	2.5	0.43	0.28	0.21	0.17
5430-3/4-2TOC10 5880-3/4-2TOC10	OC-10	H1/4U-0508HE	H1/4VVL-11004 with 50 mesh strainer	20	2.83	39.5	8.9	7.1	4.7	3.5	2.4	0.41	0.27	0.20	0.16
				30	3.46	40	10.7	8.6	5.7	4.3	2.9	0.49	0.33	0.25	0.20
				40	4.00	40.5	12.2	9.8	6.5	4.9	3.3	0.56	0.37	0.28	0.22
5430-3/4-2TOC20 5880-3/4-2TOC20	OC-20	H1/4U-0520HE	H1/4VVL-9506 with 50 mesh strainer	20	6.08	47	16.0	12.8	8.5	6.4	4.3	0.73	0.49	0.37	0.29
				30	7.45	50	18.4	14.8	9.8	7.4	4.9	0.84	0.56	0.42	0.34
				40	8.60	52	20	16.4	10.9	8.2	5.5	0.94	0.62	0.47	0.37
5430-3/4-2TOC40 5880-3/4-2TOC40	OC-40	H1/4U-0540HE	H1/4U-9510	20	12.0	56	27	21	14.1	10.6	7.1	1.2	0.81	0.61	0.49
				30	14.7	60	30	24	16.2	12.1	8.1	1.4	0.93	0.69	0.56
				40	17.0	63	33	27	17.8	13.4	8.9	1.5	1.0	0.76	0.61

Note: Always double check your application rates. Tabulations are based on spraying water at 70°F (21°C).

TEEJET SPRAY TIPS

TEEJET® VARI-SPACING FOR USE ON DRY BOOM QUICK TEEJET BODIES

PART NUMBER (PLATED STEEL)	TO FIT
QJ111-1/2	½" Pipe (1" & 1½" O.D. Tubings)
QJ111-3/4	¾" Pipe (1" & 1½" O.D. Tubings)
QJ111-1	1" Pipe (1½", 1¾" & 1½" O.D. Tubings)
QJ111-1-1/4	1¼" Pipe (1½" & 1¾" O.D. Tubings)
QJ111HP-3/4	¾" Pipe (1" & 1½" O.D. Tubings)

PART NUMBER		TO FIT
PLATED STEEL	STAINLESS STEEL	
QJ111SQ-3/4	QJ111SQ-3/4-304SS	¾" Square Tubing
QJ111SQ-1	QJ111SQ-1-304SS	1" Square Tubing
QJ111SQ-1-1/4	QJ111SQ-1-1/4-304SS	1¼" Square Tubing
QJ111SQ-1-1/2	QJ111SQ-1-1/2-304SS	1½" Square Tubing



QUICK TEEJET® CAPS

Color Code



Ordering Information

QUICK TEEJET CAPS	PART NUMBER		FOR USE WITH FLAT SPRAY TIPS 300 PSI (20 bar) MAXIMUM PRESSURE
	QUICK TEEJET CAP ONLY	QUICK TEEJET CAP & SEAT GASKET SET	
	CP25611- * -NY	25612- * -NYR	TeeJet® Flat Spray Tips (Smaller Capacities)
	CP25611-9-PP††	25612-9-PP††	
	CP25609- * -NY	25610- * -NYR	TeeJet Flat Spray Tips (Larger Capacities)
	CP25597- * -NY	25598- * -NYR	
	CP98578-1-NY†	98579-1-NYR†	
	CP25595- * -NY	25596- * -NYR	TeeJet Flat Spray Tips (Smaller Capacities) Tips can be positioned in choice of two spray plane directions—parallel or perpendicular to wings of Quick TeeJet cap.
	CP25599- * -NY	25600- * -NYR	
	CP25607- * -NY	25608- * -NYR	
	CP25607-9-PP††	25608-9-PP††	
	CP25607- * -NY	—	<p>Used with DC-Core Inserts and CP4916 Flow Regulators (Insert Core into Seal)</p>
	CP26277-1-NY†	26278-1-NYR†	
	CP114395-1-NYB†	114396-1-NYR†	TXR ConeJet 114396-1-NYR includes gasket and O-ring (CP7717-M10.5x1.5-VI)

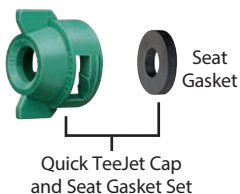
TEEJET SPRAY TIPS

*Specify color code (see chart). Violet (10) only available in CP25611 and CP25597 Nylon caps.

†These Quick TeeJet caps available only in black.

††Polypropylene Quick TeeJet caps available only in gray and rated to 150 PSI (10 bar). Nylon caps not available in gray.

Quick TeeJet Cap



CP19438-EPR
 (EPDM Standard)
CP19438-VI
 (Viton Optional)

The Quick TeeJet caps are designed with grooves that fit locating lugs on the nozzle body. Caps are made of Nylon and are available for use with all TeeJet® spray tips. Maximum operating pressure of 300 PSI (20 bar).

How to order:

For cap and seat gasket set, specify set number and color code.

Example: 25612-3-NYR

For cap only, specify part number and color code.

Example: CP25597-4-NY

For seat gasket, specify part number.

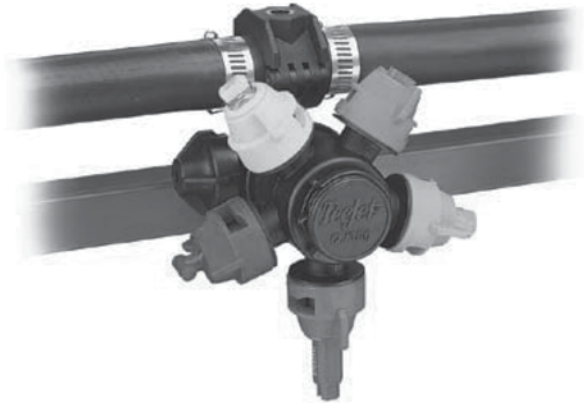
Example: CP19438-EPR

QUICK TEEJET®

Multiple Nozzle Body Assemblies for Dry Booms

QJ360C Nozzle Body Series for Dry Booms

- Available with either 3, 4 or 5 spray positions for easy change of spray tips or quick boom flushing.
- Positive shutoff between each spray position.
- Automatic spray alignment using flat fan spray tips.
- Maximum operating pressure of 300 PSI (20 bar).
- Available in 1/2", 3/4" or 1" single or double hose shanks.
- Includes ChemSaver® diaphragm check valve for drip-free shutoff. Standard diaphragm opens at 10 PSI (0.7 bar).
- Standard EPDM diaphragm with Viton® available as an option.
- Also available with optional 56720 ChemSaver air shutoff valve.
- Durable design mounts body high on boom structure for maximum protection.
- 2.25 GPM (8.5 l/min) with 5 PSI (0.34 bar) pressure drop.



- Mounts to a 3/8" (9.5 mm) hole drilled in pipe or tubing.
- Molded hex socket in upper clamp for attaching to flat surfaces.
- Hinged upper clamp reduces assembly time and fits inside common boom channels.

TEEJET NOZZLES

PART NUMBER		NUMBER OF SPRAY OUTLETS	TO FIT HOSE I.D.
SINGLE	DOUBLE		
QJ363C-500-1-NYB	QJ363C-500-2-NYB	3	1/2"
QJ363C-750-1-NYB	QJ363C-750-2-NYB	3	3/4"
QJ363C-1000-1-NYB	QJ363C-1000-2-NYB	3	1"



QJ364C

PART NUMBER		NUMBER OF SPRAY OUTLETS	TO FIT HOSE I.D.
SINGLE	DOUBLE		
QJ364C-500-1-NYB	QJ364C-500-2-NYB	4	1/2"
QJ364C-750-1-NYB	QJ364C-750-2-NYB	4	3/4"
QJ364C-1000-1-NYB	QJ364C-1000-2-NYB	4	1"



QJ365C

PART NUMBER		NUMBER OF SPRAY OUTLETS	TO FIT HOSE I.D.
SINGLE	DOUBLE		
QJ365C-500-1-NYB	QJ365C-500-2-NYB	5	1/2"
QJ365C-750-1-NYB	QJ365C-750-2-NYB	5	3/4"
QJ365C-1000-1-NYB	QJ365C-1000-2-NYB	5	1"




QUICK TEEJET®


Single Nozzle Bodies for Dry Booms

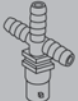


QJ100 Series Quick TeeJet Nozzle Body

- Hose barb sizes for 3/8", 1/2" or 3/4" I.D. hose.
- Maximum operating pressure of 125 PSI (9 bar).

	PART NUMBER SINGLE	TO FIT HOSE I.D.
	18635-111-406-NYB	3/8"
18638-111-540-NYB	1/2"	
18719-111-785-NYB	3/4"	


	PART NUMBER DOUBLE	TO FIT HOSE I.D.
	18636-112-406-NYB	3/8"
18639-112-540-NYB	1/2"	
18720-112-785-NYB	3/4"	

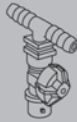
	PART NUMBER TRIPLE	TO FIT HOSE I.D.
	18637-113-406-NYB	3/8"
18640-113-540-NYB	1/2"	
18721-113-785-NYB	3/4"	




QJ200 Series Diaphragm Check Valve Quick TeeJet Nozzle Assemblies

- Available with single, double or triple hose shanks for 3/8", 1/2" and 3/4" I.D. hose.
- Drip-free shutoff with TeeJet ChemSaver®. Opens at 10 PSI (0.7 bar). Standard diaphragm is EPDM with Viton® optional.
- Maximum operating pressure of 125 PSI (9 bar).

	PART NUMBER SINGLE	TO FIT HOSE I.D.
	19349-211-406-NYB	3/8"
19349-211-540-NYB	1/2"	
19349-211-785-NYB	3/4"	

	PART NUMBER DOUBLE	TO FIT HOSE I.D.
	19350-212-406-NYB	3/8"
19350-212-540-NYB	1/2"	
19350-212-785-NYB	3/4"	


	PART NUMBER TRIPLE	TO FIT HOSE I.D.
	19351-213-406-NYB	3/8"
19351-213-540-NYB	1/2"	
19351-213-785-NYB	3/4"	

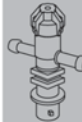


QJ300 Series Diaphragm Check Valve Quick TeeJet Nozzle Assemblies

- Low-profile design allows maximum protection against damage.
- Available with single and double hose shanks for 3/8", 1/2" and 3/4" I.D. hose.
- Drip-free shutoff with TeeJet ChemSaver. Opens at 10 PSI (0.7 bar). Standard diaphragm is EPDM with Viton optional.
- Maximum operating pressure of 300 PSI (20 bar).

QJ300 Series is also available in polypropylene. Maximum operating pressure is 150 PSI (10 bar).

	PART NUMBER SINGLE	TO FIT HOSE I.D.
	22251-311-375-NYB	3/8"
22251-311-500-NYB	1/2"	
22251-311-750-NYB	3/4"	

	PART NUMBER DOUBLE	TO FIT HOSE I.D.
	22252-312-375-NYB	3/8"
22252-312-500-NYB	1/2"	
22252-312-750-NYB	3/4"	

QUICK TEEJET®

Multiple Nozzle Body Assemblies for Wet Booms

QJ360C Nozzle Body Series for Dry Booms

- Available with either 3, 4 or 5 spray positions for easy change of spray tips or quick boom flushing.
- Positive shutoff between each spray position.
- Automatic spray alignment using flat fan spray tips.
- Maximum operating pressure of 300 PSI (20 bar).
- Available in 1/2", 3/4" or 1" single or double hose shanks.
- Includes ChemSaver® diaphragm check valve for drip-free shutoff. Standard diaphragm opens at 10 PSI (0.7 bar).
- Standard EPDM diaphragm with Viton® available as an option.
- Also available with optional 56720 ChemSaver air shutoff valve.
- 2.25 GPM (8.5 l/min) with 5 PSI (0.34 bar) pressure drop.
- Mounts to a 3/8 (9.5 mm) hole drilled in pipe or tubing.
- Molded hex socket in upper clamp for attaching to flat surfaces.
- Hinged upper clamp reduces assembly time and fits inside common boom channels.



QJ360E Nozzle Body Series for Wet Booms

- Available to fit 20 mm O.D. tubing only.
- Flow rate is 1.5 GPM (5.7 l/min) with a 5 PSI (0.35 bar) pressure drop.
- Reduced internal cavity to increase ChemSaver shut-off speed.
- Notched inlet tube allows for more complete boom drainage and reduces sediment buildup.



PART NUMBER	NUMBER OF SPRAY OUTLETS	TO CLAMP ON
QJ363E-20mm-NYB	3	20 mm Tubing
QJ363C-25mm-NYB	3	25 mm Tubing
QJ363C-1/2-NYB	3	1/2" Pipe
QJ363C-3/4-NYB	3	3/4" Pipe
QJ363C-1-NYB	3	1" Pipe

PART NUMBER	NUMBER OF SPRAY OUTLETS	TO CLAMP ON
QJ364E-20mm-NYB	4	20 mm Tubing
QJ364C-25mm-NYB	4	25 mm Tubing
QJ364C-1/2-NYB	4	1/2" Pipe
QJ364C-3/4-NYB	4	3/4" Pipe
QJ364C-1-NYB	4	1" Pipe

PART NUMBER	NUMBER OF SPRAY OUTLETS	TO CLAMP ON
QJ365E-20mm-NYB	5	20 mm Tubing
QJ365C-25mm-NYB	5	25 mm Tubing
QJ365C-1/2-NYB	5	1/2" Pipe
QJ365C-3/4-NYB	5	3/4" Pipe
QJ365C-1-NYB	5	1" Pipe

TEEJET NOZZLES

QUICK TEEJET®

Triple and Single Nozzle Bodies for Wet Booms



QJ22187

Type QJ22187-NYB

- Can be mounted to 1/2", 3/4" or 1" pipe or equivalent size tubing.
- 1/2" and 3/4" sizes include a mounting hole in clamp subassembly for mounting to flat surfaces.
- Allows side mounting to flat surface for protection of nozzle body.
- Features ChemSaver drip-free shutoff.
- Requires 10 PSI (0.7 bar) at the nozzle to open check valve.
- Standard diaphragm of EPDM with optional Viton available.
- Mounts to a 3/8" (9.5 mm) hole drilled in pipe or tubing.
- Maximum operating pressure of 300 PSI (20 bar).

PART NUMBER	TO CLAMP ON
QJ22187-1/2-NYB	1/2" Pipe
QJ22187-3/4-NYB	3/4" Pipe
QJ22187-1-NYB	1" Pipe



QJ17560A

Type QJ17560A-NYB

- Can be mounted to 20 mm, 25 mm, 1/2", 3/4" or 1" pipe or equivalent size tubing.
- Features ChemSaver drip-free shutoff.
- Requires 10 PSI (0.7 bar) at the nozzle to open check valve.
- Standard diaphragm of EPDM with optional Viton available.
- Mounts to a 3/8" (9.5 mm) hole drilled in pipe or tubing.
- Maximum operating pressure of 300 PSI (20 bar).
- 1/2" and 3/4" sizes include a mounting hole in upper clamp subassembly for mounting to flat surfaces.

PART NUMBER	TO CLAMP ON
QJ17560A-20mm-NYB	20 mm Tubing
QJ17560A-25mm-NYB	25 mm Tubing
QJ17560A-1/2-NYB	1/2" Pipe
QJ17560A-3/4-NYB	3/4" Pipe
QJ17560A-1-NYB	1" Pipe



QJ7421

Type QJ7421-NYB

- Can be mounted to 1/2", 3/4" or 1" pipe or equivalent size tubing.
- Mounts to a 3/8" (9.5 mm) hole drilled in pipe or tubing.
- Maximum operating pressure of 300 PSI (20 bar).
- 1/2" and 3/4" sizes include a mounting hole in upper clamp subassembly for mounting to flat surfaces.

PART NUMBER	TO CLAMP ON
QJ7421-1/2-NYB	1/2" Pipe
QJ7421-3/4-NYB	3/4" Pipe
QJ7421-1-NYB	1" Pipe



QUICK TEEJET®

Adapters and Accessories

QJ1/4T-NYB & QJT-NYB

- QJ1/4T-NYB allows use of Quick TeeJet system with 1/4" NPT and BSPT male connections.
- QJT-NYB permits use of Quick TeeJet system with standard 11/16"-16 TeeJet thread.
- Maximum operating pressure of 300 PSI (20 bar).



PART NUMBER	TO FIT
(B)QJ1/4T-NYB	1/4" (F) thread
QJT-NYB	11/16"-16 TeeJet thread

QJ1/4TT-NYB

- Allows use of Quick TeeJet system with 1/4" NPT and BSPT female connections.
- Maximum operating pressure of 300 PSI (20 bar).



PART NUMBER	TO FIT
QJ(B)1/4TT-NYB	1/4" (M) thread

(B)=BSPT

QJT8360-NYB, QJP19011-NYB, QJ8360-NYB

- Retrofits to a Quick TeeJet system.
- Features ChemSaver® no-drip shutoff. Requires 10 PSI (0.7 bar) at the nozzle to open check valve.
- Standard diaphragm of EPDM with optional Viton® available upon request.
- Maximum operating pressure of 300 PSI (20 bar).



QJ8360-NYB



QJT8360-NYB
QJP19011-NYB

PART NUMBER	TO FIT
QJ(B)8360-NYB	1/4" (M) thread
QJT8360-NYB	11/16"-16 TeeJet thread
QJP19011-NYB	3/8" BSPP thread

(B)=BSPT

TEEJET®

Row Application Kit



Model #23770 Row Application Kit
(Supplied without spray tips and strainers)

The 23770 Adjustable Row Application Kit is for Applying Post-emergence Chemicals Over Crop Rows Features:

- Arms adjustable for length and angle without removing bolts; simply loosen.
- Available with stainless steel arms.
- Positioning one arm at proper angle automatically sets correct angle of second arm.
- Fits square or round booms up to 1 1/2" diameter.
- Kit includes standard and Quick TeeJet® nozzle bodies.
- Side nozzle bodies may be rotated.
- Maximum pressure of 125 PSI (9 bar).
- Spray tips and strainers not included.



TEEJET®

Swivel Nozzle Bodies

Quick TeeJet® Swivel Nozzle Bodies

QJ8600 swivel Quick TeeJet nozzle body assemblies provide the same spray tip adjustability of a standard TeeJet threaded swivel plus the quick change and self-aligning features of the Quick TeeJet System.



QJ8600-2-1/4-NYB
Double Swivel Nozzle

PART NUMBER	PIPE THREAD	MATERIAL
QJ8600-2-1/4-NYB	1/4" NPT (F)	Nylon



QJ8600-1/4-NYB
Single Swivel Nozzle

PART NUMBER	PIPE THREAD	MATERIAL
QJ8600-1/4-NYB	1/4" NPT (F)	Nylon

Swivel Nozzle Bodies

TeeJet swivel nozzle bodies are primarily for use with tips employed in row crop spraying. A locknut holds swivel bodies firmly in position at selected spray projection angle so they are not affected by jarring and vibration. For use at pressures up to 125 PSI (9 bar).



Type 5000
Single Swivel Nozzle

PART NUMBER	INLET CONNECTION	MATERIAL	SWIVEL ARC RANGE
(B)5000-1/4T	1/4" NPT (F)	Brass	280°



Type 5540
Single Swivel Nozzle

PART NUMBER	INLET CONNECTION	MATERIAL	SWIVEL ARC RANGE
(B)5540-1/4TT	1/4" NPT (M)	Brass	280°



Type 4202
Double Swivel Nozzle

PART NUMBER	INLET CONNECTION	MATERIAL	SWIVEL ARC RANGE
4202-2-1/4T	1/4" NPT (F)	Brass	280°



Type 6240
Double Swivel Nozzle

PART NUMBER	INLET CONNECTION	MATERIAL	SWIVEL ARC RANGE
(B)6240-1/4TT	1/4" NPT (M)	Brass	280°



Type 7450 Compact
Double Swivel Nozzle

PART NUMBER	INLET CONNECTION	MATERIAL	SWIVEL ARC RANGE
(B)7450-2T	1/4" NPT (F)	Brass	280°



Type 5932
Double Swivel Nozzle 1/4" NPT female bottom outlet

PART NUMBER	INLET CONNECTION	MATERIAL	SWIVEL ARC RANGE
5932-2-1/4T	1/4" NPT (F)	Brass	280°



Type 8600 Nylon
Single Swivel Nozzle

PART NUMBER	INLET CONNECTION	MATERIAL	SWIVEL ARC RANGE
8600-1/4T-NYB	1/4" NPT (F)	Nylon	280°



Type 8600-2 Nylon
Double Swivel Nozzle

PART NUMBER	INLET CONNECTION	MATERIAL	SWIVEL ARC RANGE
8600-2-1/4T-NYB	1/4" NPT (F)	Nylon	280°



Type 7620 Compact
Single Swivel Nozzle

PART NUMBER	INLET CONNECTION	MATERIAL	SWIVEL ARC RANGE
(B)7620-T	1/4" NPT (F)	Brass	360°

How to order:

Examples: 5000-1/4T Brass NPT
B5000-1/4T Brass BSPT

Note: Swivels do not include tips, strainers or caps.

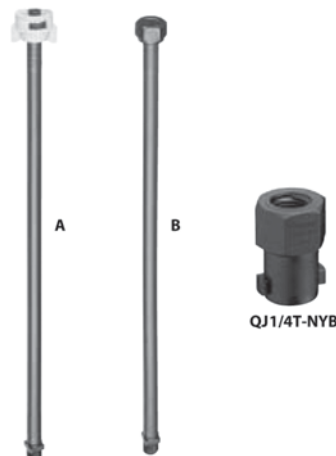
TEEJET NOZZLES

Hose Drops

Hose drops connect to standard and Quick TeeJet nozzle bodies and can also be used with swivels. Available in 15" (380 mm) and 24" (610 mm) lengths. Maximum operating pressure of 125 PSI (9 bar).

Note: QJ1/4T-NYB can be attached to hose drops for use with Quick TeeJet caps. See page 62 for ordering information.

ITEM	HOSE DROP NUMBER	LENGTH	INLET CONNECTION	OUTLET CONNECTION	MATERIAL
A	21353-6-15-NYB	15" (380 mm)	Quick TeeJet Type	1/4" NPT (M)	Nylon with Quick TeeJet cap and EPDM gasket
	21353-6-24-NYB	24" (610 mm)			
B	21354-15-NYB	15" (380 mm)	1/8"-16 TeeJet Thread		Nylon
	21354-24-NYB	24" (610 mm)			



TEEJET®

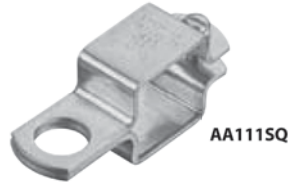
Nozzle Parts

Clamp Assemblies

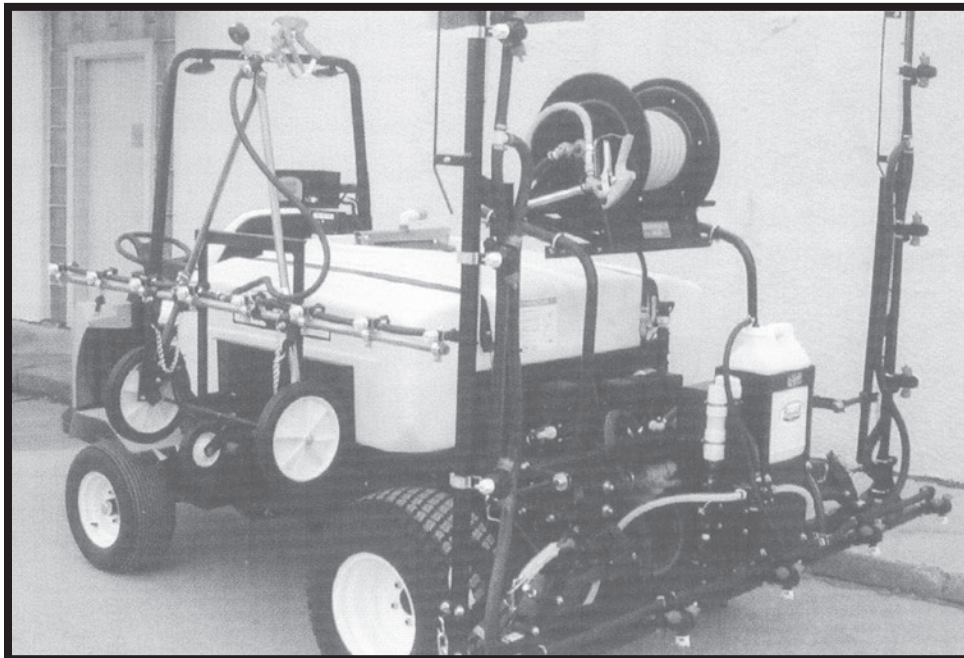
Consist of upper and lower clamps and bolt for use with hose shank nozzle bodies.



PART NUMBER	TO CLAMP ON
AA111-1/2	1/2" Pipe (3/8" & 7/8" O.D. Tubings)
AA111-3/4	3/4" Pipe (1" & 1 1/8" O.D. Tubings)
AA111-1	1" Pipe (1 1/8", 1 1/4" & 1 3/8" O.D. Tubings)
AA111-1-1/4	1 1/4" Pipe (1 3/8" & 1 7/8" O.D. Tubings)



PART NUMBER	TO CLAMP ON
AA111SQ-1	1" Square Tubing
AA111SQ-1-1/4	1 1/4" Square Tubing
AA111SQ-1-1/2	1 1/2" Square Tubing



TEEJET NOZZLES



FLAT FAN SPRAY TIPS - ULTRA LO-DRIFT™ 120°



The Ultra Lo-Drift™ is the ideal spray tip for use where drift reduction is paramount. The tip produces large air-filled droplets, which cut drift dramatically compared with a standard fan and conventional low-drift spray tips. Ideal for use with pre-emergence and broad spectrum products.

- Creates air-filled droplets which significantly reduce spray drift
- Wide spray angle (120°) enables boom height to be lowered to further decrease drift
- Small, compact size reduces the chances of accidental breakage
- FastCap® complete includes tip, cap, gasket and New MiniClean™ strainer for sizes 015-06

Tip Size	Droplet Size 120°	Pressure (PSI)	Flow Rate (GPM)	Gallons per Acre 20 inch nozzle spacing										GAL/1000 ft ² 20 inch nozzle spacing				
				4	5	6	8	10	12	15	20	2	3	4	5			
015	VC	15	0.09	6.7	5.3	4.5	3.3	2.7	2.2	1.8	1.3	0.31	0.20	0.15	0.12			
	VC	20	0.11	8.2	6.5	5.4	4.1	3.3	2.7	2.2	1.6	0.38	0.25	0.19	0.15			
	C	30	0.13	9.7	7.7	6.4	4.8	3.9	3.2	2.6	1.9	0.44	0.30	0.22	0.18			
	C	40	0.15	11.1	8.9	7.4	5.6	4.5	3.7	3.0	2.2	0.51	0.34	0.26	0.20			
	C	50	0.17	12.6	10.1	8.4	6.3	5.0	4.2	3.4	2.5	0.58	0.39	0.29	0.23			
	M	60	0.18	13.4	10.7	8.9	6.7	5.3	4.5	3.6	2.7	0.61	0.41	0.31	0.25			
	M	70	0.20	14.9	11.9	9.9	7.4	5.9	5.0	4.0	3.0	0.68	0.45	0.34	0.27			
	M	80	0.21	15.6	12.5	10.4	7.8	6.2	5.2	4.2	3.1	0.72	0.48	0.36	0.29			
	M	90	0.23	17.1	13.7	11.4	8.5	6.8	5.7	4.6	3.4	0.78	0.52	0.39	0.31			
	F	100	0.24	17.8	14.3	11.9	8.9	7.1	5.9	4.8	3.6	0.82	0.56	0.41	0.33			
F	115	0.25	18.6	14.9	12.4	9.3	7.4	6.2	5.0	3.7	0.85	0.57	0.43	0.34				
02	VC	15	0.12	8.9	7.1	5.9	4.5	3.6	3.0	2.4	1.8	0.41	0.27	0.20	0.16			
	VC	20	0.14	10.4	8.3	6.9	5.2	4.2	3.5	2.8	2.1	0.48	0.32	0.24	0.19			
	C	30	0.17	12.6	10.1	8.4	6.3	5.0	4.2	3.4	2.5	0.58	0.39	0.29	0.23			
	C	40	0.20	14.9	11.9	9.9	7.4	5.9	5.0	4.0	3.0	0.68	0.45	0.34	0.27			
	C	50	0.22	16.3	13.1	10.9	8.2	6.5	5.4	4.4	3.3	0.75	0.50	0.38	0.30			
	M	60	0.24	17.8	14.3	11.9	8.9	7.1	5.9	4.8	3.6	0.82	0.55	0.41	0.33			
	M	70	0.26	19.3	15.4	12.9	9.7	7.7	6.4	5.1	3.9	0.89	0.59	0.44	0.35			
	M	80	0.28	20.8	16.6	13.9	10.4	8.3	6.9	5.5	4.2	0.95	0.64	0.48	0.38			
	M	90	0.30	22.3	17.8	14.9	11.1	8.9	7.4	5.9	4.5	1.02	0.68	0.51	0.41			
	F	100	0.32	23.8	19.0	15.8	11.9	9.5	7.9	6.3	4.8	1.09	0.73	0.55	0.44			
F	115	0.34	25.2	20.2	16.8	12.6	10.1	8.4	6.7	5.0	1.16	0.77	0.58	0.46				
025	VC	15	0.15	11.1	8.9	7.4	5.6	4.5	3.7	3.0	2.2	0.51	0.34	0.26	0.20			
	VC	20	0.18	13.4	10.7	8.9	6.7	5.3	4.5	3.6	2.7	0.61	0.41	0.31	0.25			
	C	30	0.22	16.3	13.1	10.9	8.2	6.5	5.4	4.4	3.3	0.75	0.50	0.38	0.30			
	C	40	0.25	18.6	14.9	12.4	9.3	7.4	6.2	5.0	3.7	0.85	0.57	0.43	0.34			
	C	50	0.28	20.8	16.6	13.9	10.4	8.3	6.9	5.5	4.2	0.95	0.64	0.48	0.38			
	M	60	0.31	23.0	18.4	15.3	11.5	9.2	7.7	6.1	4.6	1.06	0.70	0.53	0.42			
	M	70	0.33	24.5	19.6	16.3	12.3	9.8	8.2	6.4	4.9	1.13	0.75	0.56	0.44			
	M	80	0.35	26.0	20.8	17.3	13.0	10.4	8.7	6.9	5.2	1.19	0.80	0.60	0.48			
	M	90	0.38	28.2	22.6	18.8	14.1	11.3	9.4	7.5	5.6	1.30	0.86	0.65	0.52			
	F	100	0.40	29.7	23.8	19.8	14.9	11.9	9.9	7.9	5.9	1.36	0.91	0.68	0.55			
F	115	0.42	31.2	24.9	20.8	15.6	12.5	10.4	8.3	6.2	1.43	0.95	0.72	0.57				
03	VC	15	0.18	13.4	10.7	8.9	6.7	5.3	4.5	3.6	2.7	0.61	0.41	0.31	0.25			
	VC	20	0.21	15.6	12.5	10.4	7.8	6.2	5.2	4.2	3.1	0.72	0.48	0.36	0.29			
	C	30	0.26	19.3	15.4	12.9	9.7	7.7	6.4	5.1	3.9	0.89	0.59	0.44	0.35			
	C	40	0.30	22.3	17.8	14.9	11.1	8.9	7.4	5.9	4.5	1.02	0.68	0.51	0.41			
	C	50	0.34	25.2	20.2	16.8	12.6	10.1	8.4	6.7	5.0	1.16	0.77	0.58	0.46			
	M	60	0.37	27.5	22.0	18.3	13.7	11.0	9.2	7.3	5.6	1.28	0.84	0.63	0.50			
	M	70	0.40	29.7	23.8	19.8	14.9	11.9	9.9	7.9	5.9	1.36	0.91	0.68	0.55			
	M	80	0.42	31.2	24.9	20.8	15.6	12.5	10.4	8.3	6.2	1.43	0.95	0.72	0.57			
	M	90	0.45	33.4	26.7	22.3	16.7	13.4	11.1	8.9	6.7	1.53	1.02	0.77	0.61			
	F	100	0.47	34.9	27.9	23.3	17.4	14.0	11.6	9.4	7.0	1.60	1.07	0.80	0.64			
F	115	0.51	37.9	30.3	25.2	18.9	15.1	12.6	10.1	7.6	1.74	1.16	0.87	0.70				
04	VC	15	0.24	17.8	14.3	11.9	8.9	7.1	5.9	4.8	3.6	0.82	0.55	0.41	0.33			
	VC	20	0.28	20.8	16.6	13.9	10.4	8.3	6.9	5.5	4.2	0.95	0.64	0.48	0.38			
	C	30	0.35	26.0	20.8	17.3	13.0	10.4	8.7	6.9	5.2	1.19	0.80	0.60	0.48			
	C	40	0.40	29.7	23.8	19.8	14.9	11.9	9.9	7.9	5.9	1.36	0.91	0.68	0.55			
	C	50	0.45	33.4	26.7	22.3	16.7	13.4	11.1	8.9	6.7	1.53	1.02	0.77	0.61			
	M	60	0.49	36.4	29.1	24.3	18.2	14.6	12.1	9.7	7.3	1.67	1.11	0.84	0.67			
	M	70	0.53	39.4	31.5	26.2	19.7	15.7	13.1	10.5	7.9	1.81	1.20	0.90	0.72			
	M	80	0.57	42.3	33.9	28.2	21.2	16.9	14.1	11.3	8.5	1.94	1.30	0.97	0.78			
	M	90	0.60	44.6	35.6	29.7	22.3	17.8	14.9	11.9	8.9	2.05	1.36	1.02	0.82			
	F	100	0.63	46.8	37.4	31.2	23.4	18.7	15.6	12.5	9.4	2.15	1.43	1.07	0.86			
F	115	0.68	50.5	40.4	33.7	25.2	20.2	16.8	13.5	10.1	2.32	1.55	1.16	0.93				
05	XC	15	0.31	23.0	18.4	15.3	11.5	9.2	7.7	6.1	4.6	1.06	0.70	0.53	0.42			
	XC	20	0.35	26.0	20.8	17.3	13.0	10.4	8.7	6.9	5.2	1.19	0.80	0.60	0.48			
	VC	30	0.43	31.9	25.5	21.3	16.0	12.8	10.6	8.5	6.4	1.47	0.98	0.73	0.59			
	VC	40	0.50	37.1	29.7	24.8	18.6	14.9	12.4	9.7	7.4	1.71	1.14	0.85	0.68			
	VC	50	0.56	41.6	33.3	27.7	20.8	16.6	13.9	11.1	8.3	1.91	1.27	0.95	0.76			
	M	60	0.61	45.3	36.2	30.2	22.6	18.1	15.1	12.1	9.1	2.08	1.39	1.04	0.83			
	M	70	0.66	49.0	39.2	32.7	24.5	19.6	16.3	13.1	9.8	2.25	1.50	1.13	0.90			
	M	80	0.71	52.7	42.2	35.3	26.4	21.1	17.6	14.1	10.5	2.42	1.61	1.21	0.97			
	M	90	0.75	55.7	44.6	37.1	27.8	22.3	18.6	14.9	11.1	2.56	1.71	1.28	1.02			
	F	100	0.79	58.7	46.9	39.1	29.3	23.5	19.6	15.6	11.7	2.69	1.80	1.35	1.08			
F	115	0.85	63.1	50.5	42.1	31.6	25.2	21.0	16.8	12.6	2.90	1.93	1.45	1.16				
06	XC	15	0.37	27.5	22.0	18.3	13.7	11.0	9.2	7.3	5.6	1.28	0.84	0.63	0.50			
	XC	20	0.42	31.2	24.9	20.8	15.6	12.5	10.4	8.3	6.2	1.43	0.95	0.72	0.57			
	VC	30	0.52	38.6	30.9	25.7	19.3	15.4	12.9	10.3	7.7	1.77	1.18	0.89	0.71			
	VC	40	0.60	44.6	35.6	29.7	22.3	17.8	14.9	11.9	8.9	2.05	1.36	1.02	0.82			
	VC	50	0.67	49.7	39.8	33.2	24.9	19.9	16.6	13.3	9.9	2.28	1.52	1.14	0.91			
	M	60	0.73	54.2	43.4	36.1	27.1	21.7	18.1	14.5	10.8	2.49	1.66	1.24	1.00			
	M	70	0.79	58.7	46.9	39.1	29.3	23.5	19.6	15.6	11.7	2.69	1.80	1.35	1.08			
	M	80	0.85	63.1	50.5	42.1	31.6	25.2	21.0	16.8	12.6	2.90	1.93	1.45	1.16			
	M	90	0.90	66.8	53.5	44.6	33.4	26.7	22.3	17.8	13.4	3.07	2.05	1.53	1.23			
	F	100	0.95	70.5	56.4	47.0	35.3	28.2	23.5	18.8	14.1	3.24	2.16	1.62	1.30			
F	115	1.02	75.7	60.6	50.5	37.9	30.3	25.2	20.2	15.1	3.48	2.32	1.74	1.39				
08	XC	15	0.49	36.4	29.1	24.3	18.2	14.6	12.1	9.7	7.3	1.67	1.11	0.84	0.67			
	XC	20	0.57	42.3	33.9	28.2	21.2	16.9	14.1	11.3	8.5	1.94	1.30	0.97	0.78			
	VC	30	0.69	51.2	41.0	34.2	25.6	20.5	17.1	13.7	10.2	2.35	1.57	1.18	0.94			
	VC	40	0.80	59.4	47.5	39.6	29.7	23.8	19.8	15.8	11.9	2.73	1.82	1.36	1.09			
	M	50	0.86	64.1	52.9	43.0	33.0	26.4	22.0	18.2	13.6	3.03	2.02	1.52	1.21			
	M	60	0.98	72.8	58.2	48.5	36.4	29.1	24.3	19.4	14.6	3.34	2.23	1.67	1.34			
	M	70	1.06	78.7	63.0	52.5	39.4	31.5	26.2	21.0	15.7	3.61	2.41	1.81	1.45			
	M	80	1.13	83.9	67.1	55.9	42.0	33.6	28.0	22.4	16.8	3.85	2.57	1.93	1.54			
	M	90	1.20	89.1	71.3	59.4	44.6	35.6	29.7	23.8	17.8	4.09	2.73	2.05	1.64			
	F	115	1.36	101	80.8	67.3	50.5	40.4	33.7	26.9	20.2	4.64	3.09	2.32	1.86			

HYPRO SPRAY TIPS

Features	
Common Use	

WIDE ANGLE FAN SPRAY TIPS - HIGH-FLOW™ 140°



The Hypro Hi-Flow® tip is the best way to outfit a sprayer to achieve wide-angle coverage plus drift control. The 140° pattern ensures unmatched uniformity across the spray boom and allows lower spray heights to reduce the risk of drift during sensitive applications.

- Straight-through design to reduce clogging
- Incredibly uniform application across the boom
- Lower spray heights and pre-orifice technology reduce drift
- Fits directly on standard nozzle bodies
- FastCap® includes tip, cap and gasket

Tip Size	Droplet Size 140°	Pressure (PSI)	Flow Rate (GPM)	Gallons per Acre 20 inch nozzle spacing								GAL/1000ft ²				
				MPH								20 inch nozzle spacing				
				4	5	6	8	10	12	15	20	2	3	4	5	
08	XC	20	0.57	42.3	33.9	28.2	21.2	16.9	14.1	11.3	8.5	1.94	1.30	0.97	0.78	
	XC	30	0.69	51.2	41.0	34.2	25.6	20.5	17.1	13.7	10.2	2.35	1.57	1.18	0.94	
	XC	40	0.80	59.4	47.5	39.6	29.7	23.8	19.8	15.8	11.9	2.73	1.82	1.36	1.09	
	XC	50	0.89	66.1	52.9	44.1	33.0	26.4	22.0	17.6	13.2	3.03	2.02	1.52	1.21	
	XC	60	0.98	72.8	58.2	48.5	36.4	29.1	24.3	19.4	14.6	3.34	2.23	1.67	1.34	
	XC	70	1.06	78.7	63.0	52.5	39.4	31.5	26.2	21.0	15.7	3.61	2.41	1.81	1.45	
XC	80	1.13	83.9	67.1	55.9	42.0	33.6	28.0	22.4	16.8	3.85	2.57	1.93	1.54		
10	XC	20	0.71	52.7	42.2	35.1	26.4	21.1	17.6	14.1	10.5	2.42	1.61	1.21	0.97	
	XC	30	0.87	64.6	51.7	43.1	32.3	25.8	21.5	17.2	12.9	2.97	1.98	1.48	1.19	
	XC	40	1.00	74.3	59.4	49.5	37.1	29.7	24.8	19.8	14.9	3.41	2.27	1.71	1.36	
	XC	50	1.12	83.2	66.5	55.4	41.6	33.3	27.7	22.2	16.6	3.82	2.55	1.91	1.53	
	XC	60	1.22	90.6	72.5	60.4	45.3	36.2	30.2	24.2	18.1	4.16	2.77	2.08	1.66	
	XC	70	1.32	98.0	78.4	65.3	49.0	39.2	32.7	26.1	19.6	4.50	3.00	2.25	1.80	
XC	80	1.41	105	83.8	69.8	52.3	41.9	34.9	27.9	20.9	4.81	3.21	2.40	1.92		
15	XC	20	1.06	78.7	63.0	52.5	39.4	31.5	26.2	21.0	15.7	3.61	2.41	1.81	1.45	
	XC	30	1.30	96.5	77.2	64.4	48.3	38.6	32.2	25.7	19.3	4.43	2.96	2.22	1.77	
	XC	40	1.50	111	89.1	74.3	55.7	44.6	37.1	29.7	22.3	5.12	3.41	2.56	2.05	
	XC	50	1.68	125	99.8	83.2	62.4	49.9	41.6	33.3	24.9	5.73	3.82	2.86	2.29	
	XC	60	1.84	137	109	91.1	68.3	54.6	45.5	36.4	27.3	6.27	4.18	3.14	2.51	
	XC	70	1.98	147	118	98.0	73.5	58.8	49.0	39.2	29.4	6.75	4.50	3.38	2.70	
XC	80	2.12	157	126	105	78.7	63.0	52.5	42.0	31.5	7.23	4.82	3.61	2.89		
20	XC	20	1.41	105	83.8	69.8	52.3	41.9	34.9	27.9	20.9	4.81	3.21	2.40	1.92	
	XC	30	1.73	128	103	85.6	64.2	51.4	42.8	34.3	25.7	5.90	3.93	2.95	2.36	
	XC	40	2.00	149	119	99.0	74.3	59.4	49.5	39.6	29.7	6.82	4.55	3.41	2.73	
	XC	50	2.24	166	133	111	83.2	66.5	55.4	44.4	33.3	7.64	5.09	3.82	3.06	
	XC	60	2.45	182	146	121	91.0	72.8	60.6	48.5	36.4	8.35	5.57	4.18	3.34	
	XC	70	2.65	197	157	131	98.4	78.7	65.6	52.5	39.4	9.04	6.02	4.52	3.61	
XC	80	2.83	210	168	140	105	84.1	70.0	56.0	42.0	9.65	6.43	4.83	3.86		
30	XC	20	2.12	157	126	105	78.7	63.0	52.5	42.0	31.5	7.23	4.82	3.61	2.89	
	XC	30	2.60	193	154	129	96.5	77.2	64.4	51.5	38.6	8.87	5.91	4.43	3.55	
	XC	40	3.00	223	178	149	111	89.1	74.3	59.4	44.6	10.2	6.82	5.12	4.09	
	XC	50	3.35	249	199	166	124	99.5	82.9	66.3	49.7	11.4	7.62	5.71	4.57	
	XC	60	3.67	272	218	182	136	109	90.8	72.7	54.5	12.5	8.34	6.26	5.01	
	XC	70	3.97	295	236	197	147	118	98.3	78.6	59.0	13.5	9.03	6.77	5.42	
XC	80	4.24	315	252	210	157	126	105	84.0	63.0	14.5	9.64	7.23	5.78		
40	XC	20	2.83	210	168	140	105	84.1	70.0	56.0	42.0	9.65	6.43	4.83	3.86	
	XC	30	3.46	257	206	171	128	103	85.6	68.5	51.4	11.8	7.87	5.90	4.72	
	XC	40	4.00	297	238	198	149	119	99.0	79.2	59.4	13.6	9.09	6.82	5.46	
	XC	50	4.47	332	266	221	166	133	111	88.5	66.4	15.2	10.2	7.62	6.10	
	XC	60	4.90	364	291	243	182	146	121	97.0	72.8	16.7	11.1	8.35	6.68	
	XC	70	5.29	393	314	262	196	157	131	105	78.6	18.0	12.0	9.02	7.22	
XC	80	5.66	420	336	280	210	168	140	112	84.1	19.3	12.9	9.65	7.72		
50	XC	20	3.54	263	210	175	131	105	87.6	70.1	52.6	12.1	8.05	6.04	4.83	
	XC	30	4.33	322	257	214	161	129	107	85.7	64.3	14.8	9.84	7.38	5.91	
	XC	40	5.00	371	297	248	186	149	124	99.0	74.3	17.1	11.4	8.53	6.82	
	XC	50	5.59	415	332	277	208	166	138	111	83.0	19.1	12.7	9.53	7.62	
	XC	60	6.12	454	364	303	227	182	151	121	90.9	20.9	13.9	10.4	8.35	
	XC	70	6.61	491	393	327	245	196	164	131	98.2	22.5	15.0	11.3	9.02	
XC	80	7.07	525	420	350	262	210	175	140	105	24.1	16.1	12.1	9.64		
60	XC	20	4.24	315	252	210	157	126	105	84.0	63.0	14.5	9.64	7.23	5.78	
	XC	30	5.20	386	309	257	193	154	129	103	77.2	17.7	11.8	8.87	7.09	
	XC	40	6.00	446	356	297	223	178	149	119	89.1	20.5	13.6	10.2	8.18	
	XC	50	6.71	498	399	332	249	199	166	133	99.6	22.9	15.3	11.4	9.15	
	XC	60	7.35	546	437	364	273	218	182	146	109	25.1	16.7	12.5	10.0	
	XC	70	7.94	590	472	393	295	236	197	157	118	27.1	18.1	13.5	10.8	
XC	80	8.49	630	504	420	315	252	210	168	126	29.0	19.3	14.5	11.6		

Features	
Common Use	Fertilizer
Pattern	Tapered Flat Fan
Technology	Pre-Orifice
Material	Polycetal
Spray Angle	140°
Pressure Range	20-80 PSI
Configuration	FastCap

Application Selection Guide	
Foliar Contact	-
Foliar Systemic	Excellent at High Volume
Soil Applied	Excellent
Drift Control	Excellent

Part Numbers	
FastCaps 140°	
HF140-08	
HF140-10	
HF140-15	
HF140-20	
HF140-30	
HF140-40	New!
HF140-50	
HF140-60	

	20	30	40	50	60	70	80
HF140-08	XC	XC	XC	XC	XC	XC	XC
HF140-10	XC	XC	XC	XC	XC	XC	XC
HF140-15	XC	XC	XC	XC	XC	XC	XC
HF140-20	XC	XC	XC	XC	XC	XC	XC
HF140-30	XC	XC	XC	XC	XC	XC	XC
HF140-40	XC	XC	XC	XC	XC	XC	XC
HF140-50	XC	XC	XC	XC	XC	XC	XC
HF140-60	XC	XC	XC	XC	XC	XC	XC

HYPRO SPRAY TIPS



FLAT FAN SPRAY TIPS - GUARDIANAIR™ 110°



The Hypro® GuardianAIR™ spray tip is the first and only tip to feature technology developed by Hypro for the Syngenta® Amistar™ spray tip. A unique rearward spray incline provides more uniform coverage with 10 gpm spray rates. Higher flow tips used at faster speeds have a greater spray incline.

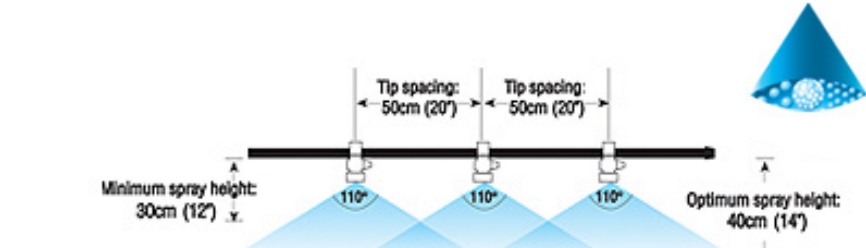
- Air-induced sprays reduce drift while increasing droplet deposition and retention on foliage
- Provides better coverage with more drops per gallon compared to other common air-induced spray tips
- Each tip is clearly marked with an arrow indicating the direction of travel
- FastCap® includes tip, cap and gasket

Tip Size	Droplet Size (µm)	Pressure (PSI)	Flow Rate (GPM)	Gallons per Acre 20 inch nozzle spacing										GAL/1000 ft ² 20 inch nozzle spacing																	
				4	5	6	8	10	12	15	20	2	3	4	5																
015	XC	15	0.09	6.7	5.3	4.5	3.3	2.7	2.2	1.8	1.5	0.31	0.20	0.15	0.12	03	XC	15	0.18	13.4	10.7	8.9	6.7	5.3	4.5	3.6	2.7	0.61	0.41	0.31	0.25
	XC	20	0.11	8.2	6.5	5.4	4.1	3.3	2.7	2.2	1.6	0.38	0.25	0.19	0.15		XC	20	0.21	15.6	12.5	10.4	7.8	6.2	5.2	4.2	3.1	0.72	0.48	0.36	0.29
	VC	30	0.13	9.7	7.7	6.4	4.8	3.9	3.2	2.6	1.9	0.44	0.30	0.22	0.18		VC	30	0.26	19.3	15.4	12.9	9.7	7.7	6.4	5.1	3.9	0.89	0.59	0.44	0.35
	C	40	0.15	11.1	8.9	7.4	5.6	4.5	3.7	3.0	2.2	0.51	0.34	0.26	0.20		C	40	0.30	22.3	17.8	14.9	11.1	8.9	7.4	5.9	4.5	1.02	0.68	0.51	0.41
	C	50	0.17	12.6	10.1	8.4	6.3	5.0	4.2	3.4	2.5	0.58	0.39	0.29	0.23		C	50	0.34	25.2	20.2	16.8	12.6	10.1	8.4	6.7	5.0	1.16	0.77	0.58	0.46
	C	60	0.18	13.4	10.7	8.9	6.7	5.3	4.5	3.6	2.7	0.61	0.41	0.31	0.25		C	60	0.40	29.7	23.8	19.8	14.9	11.9	9.9	7.9	5.9	1.36	0.91	0.68	0.55
	M	70	0.20	14.9	11.9	9.9	7.4	5.9	5.0	4.0	3.0	0.68	0.45	0.34	0.27		M	80	0.42	31.2	24.9	20.8	15.6	12.5	10.4	8.3	6.2	1.43	0.95	0.72	0.57
	M	80	0.21	15.6	12.5	10.4	7.8	6.2	5.2	4.2	3.1	0.72	0.48	0.36	0.29		M	90	0.45	33.4	26.7	22.3	16.7	13.4	11.1	8.9	6.7	1.53	1.02	0.77	0.61
	M	90	0.23	17.1	13.7	11.4	8.5	6.8	5.7	4.6	3.4	0.78	0.52	0.39	0.31		M	100	0.47	36.9	27.9	23.3	17.4	14.0	11.6	9.3	7.0	1.60	1.07	0.80	0.64
	M	100	0.24	17.8	14.3	11.9	8.9	7.1	5.9	4.8	3.6	0.82	0.55	0.41	0.33		M	115	0.51	37.9	30.3	25.2	18.9	15.1	12.6	10.1	7.6	1.74	1.16	0.87	0.70
02	XC	15	0.12	6.9	5.4	4.5	3.3	2.7	2.2	1.8	1.5	0.31	0.20	0.15	0.12	035	XC	15	0.25	13.8	11.1	9.2	6.9	5.4	4.5	3.6	2.7	0.62	0.41	0.31	0.25
	XC	20	0.14	10.4	8.3	6.9	5.2	4.2	3.5	2.8	2.1	0.48	0.32	0.24	0.19		XC	20	0.30	22.3	17.8	14.9	11.1	8.9	7.4	5.9	4.5	1.02	0.68	0.51	0.41
	VC	30	0.17	12.6	10.1	8.4	6.3	5.0	4.2	3.4	2.5	0.58	0.39	0.29	0.23		VC	30	0.35	26.0	20.8	17.3	13.0	10.4	8.7	6.9	5.2	1.19	0.80	0.60	0.48
	C	40	0.20	14.9	11.9	9.9	7.4	5.9	5.0	4.0	3.0	0.68	0.45	0.34	0.27		C	40	0.39	29.0	23.2	19.3	14.5	11.6	9.7	7.7	5.8	1.33	0.89	0.66	0.53
	C	50	0.22	16.3	13.1	10.9	8.2	6.5	5.4	4.4	3.3	0.75	0.50	0.38	0.30		C	50	0.43	31.9	25.5	21.3	16.0	12.8	10.6	8.5	6.4	1.47	0.98	0.73	0.59
	C	60	0.24	17.8	14.3	11.9	8.9	7.1	5.9	4.8	3.6	0.82	0.55	0.41	0.33		C	60	0.46	34.2	27.3	22.8	17.1	13.7	11.4	9.1	6.8	1.57	1.05	0.78	0.63
	M	70	0.26	19.3	15.4	12.9	9.7	7.7	6.4	5.1	3.9	0.89	0.59	0.44	0.35		M	80	0.49	36.4	29.1	24.3	18.2	14.6	11.9	9.7	7.3	1.67	1.11	0.84	0.67
	M	80	0.28	20.8	16.6	13.9	10.4	8.3	6.9	5.5	4.2	0.95	0.64	0.48	0.38		M	90	0.53	39.4	31.5	26.2	19.7	15.7	13.1	10.5	7.9	1.81	1.20	0.90	0.72
	M	90	0.30	22.3	17.8	14.9	11.1	8.9	7.4	5.9	4.5	1.02	0.68	0.51	0.41		M	100	0.55	40.8	32.7	27.9	20.4	15.9	13.6	10.9	8.2	1.88	1.25	0.94	0.75
	M	100	0.32	23.8	19.0	15.8	11.9	9.5	7.9	6.3	4.8	1.09	0.73	0.55	0.44		M	115	0.59	43.8	35.0	29.2	21.9	17.5	14.6	11.7	8.8	2.01	1.34	1.01	0.80
M	115	0.34	25.2	20.2	16.8	12.6	10.1	8.4	6.7	5.0	1.16	0.77	0.58	0.46	XC	15	0.24	11.8	14.3	11.9	8.9	7.1	5.9	4.8	3.6	0.82	0.55	0.41	0.33		
025	XC	15	0.15	11.1	8.9	7.4	5.6	4.5	3.7	3.0	2.2	0.51	0.34	0.26	0.20	04	XC	15	0.28	20.8	16.6	13.9	10.4	8.3	6.9	5.5	4.2	0.95	0.64	0.48	0.38
	XC	20	0.18	13.4	10.7	8.9	6.7	5.3	4.5	3.6	2.7	0.61	0.41	0.31	0.25		XC	20	0.32	23.8	19.0	15.8	11.9	9.5	7.9	6.3	4.8	1.09	0.73	0.55	0.44
	VC	30	0.22	16.3	13.1	10.9	8.2	6.5	5.4	4.4	3.3	0.75	0.50	0.38	0.30		VC	30	0.35	26.0	20.8	17.3	13.0	10.4	8.7	6.9	5.2	1.19	0.80	0.60	0.48
	C	40	0.25	18.6	14.9	12.4	9.3	7.4	6.2	5.0	3.7	0.82	0.55	0.43	0.33		C	40	0.40	29.7	23.8	19.8	14.9	11.9	9.9	7.9	5.9	1.36	0.91	0.68	0.55
	C	50	0.28	20.8	16.6	13.9	10.4	8.3	6.9	5.5	4.2	0.95	0.64	0.48	0.38		C	50	0.45	33.4	26.7	22.3	16.7	13.4	11.1	8.9	6.7	1.53	1.02	0.77	0.61
	C	60	0.31	23.0	18.4	15.3	11.5	9.2	7.7	6.1	4.6	1.06	0.70	0.53	0.42		C	60	0.49	36.4	29.1	24.3	18.2	14.6	12.1	9.7	7.3	1.67	1.11	0.84	0.67
	M	70	0.33	24.5	19.6	16.3	12.3	9.8	8.2	6.5	4.9	1.13	0.75	0.56	0.45		M	80	0.53	39.4	31.5	26.2	19.7	15.7	13.1	10.5	7.9	1.81	1.20	0.90	0.72
	M	80	0.35	26.0	20.8	17.3	13.0	10.4	8.7	6.9	5.2	1.19	0.80	0.60	0.48		M	90	0.57	42.3	33.9	28.2	21.2	16.8	14.1	11.3	8.5	1.94	1.30	0.97	0.78
	M	90	0.38	28.2	22.6	18.8	14.1	11.3	9.4	7.5	5.6	1.30	0.86	0.65	0.52		M	100	0.60	44.6	35.6	29.7	22.3	17.8	14.9	11.9	8.9	2.05	1.36	1.02	0.82
	M	100	0.40	29.7	23.8	19.3	14.9	11.9	9.9	7.9	5.9	1.36	0.91	0.68	0.55		M	115	0.65	48.9	37.4	31.2	23.4	18.7	15.6	12.5	9.4	2.15	1.43	1.07	0.86
M	115	0.42	31.2	24.9	20.8	15.6	12.5	10.4	8.3	6.2	1.43	0.95	0.72	0.57	M	115	0.68	50.5	40.4	33.7	25.2	20.2	16.8	13.5	10.1	2.22	1.51	1.16	0.93		

Features	
Common Use	Plant Health
Pattern	Tapered Flat Fan
Technology	Air Eduction
Material	Polyacetal
Spray Angle	110°
Pressure Range	15-115 PSI
Configuration	Tips, FastCap

Application Selection Guide	
Foliar Contact	Excellent
Foliar Systemic	Excellent
Soil Applied	Very Good
Drift Control	Very Good

Part Numbers	
Tips 110°	FastCaps 110°
GA110-015	FC-GA110-015
GA110-02	FC-GA110-02
GA110-025	FC-GA110-025
GA110-03	FC-GA110-03
GA110-035	FC-GA110-035
GA110-04	FC-GA110-04
GA110-05	FC-GA110-05



	15	20	30	40	50	60	70	80	90	100	115
FC-GA110-015	XC	XC	VC	C	C	C	M	M	M	M	M
FC-GA110-02	XC	XC	VC	C	C	C	M	M	M	M	M
FC-GA110-025	XC	XC	VC	C	C	C	C	C	M	M	M
FC-GA110-03	XC	XC	VC	C	C	C	C	C	M	M	M
FC-GA110-035	XC	XC	VC	C	C	C	C	C	M	M	M
FC-GA110-04	XC	XC	VC	C	C	C	C	C	M	M	M
FC-GA110-05	XC	XC	VC	C	C	C	C	C	M	M	M

HYPRO SPRAY TIPS

FLAT FAN SPRAY TIPS - GUARDIANAIR TWIN™ 110°



GuardianAIR Twin™ spray tips are the best choice for high coverage applications where on-target spray delivery is important. They are ideal for low crops with complex canopies, such as vegetables, where thorough coverage of the target and protection of the surroundings are of high importance.

- High-coverage forward and rear facing fans help penetrate complex canopies
- Engineered to provide better coverage with more drops per gallon compared to other air-induced sprays
- Easy-to-install, patent-pending locking ring and o-ring seal design
- FastCap® complete includes tip, cap, gasket and integrated strainer

Tip Size	Droplet Size 110°	Pressure (PSI)	Flow Rate (GPM)	Gallons per Acre 20 inch nozzle spacing								GAL/1000ft ²				
				MPH								20 inch nozzle spacing				
				4	5	6	8	10	12	15	20	2	3	4	5	
02	C	30	0.17	12.6	10.1	8.4	6.3	5.0	4.2	3.4	2.5	0.58	0.39	0.29	0.23	
	M	40	0.20	14.9	11.9	9.9	7.4	5.9	5.0	4.0	3.0	0.68	0.45	0.34	0.27	
	M	50	0.22	16.3	13.1	10.9	8.2	6.5	5.4	4.4	3.3	0.75	0.50	0.38	0.30	
	M	60	0.24	17.8	14.3	11.9	8.9	7.1	5.9	4.8	3.6	0.82	0.55	0.41	0.33	
	M	70	0.26	19.3	15.4	12.9	9.7	7.7	6.4	5.1	3.9	0.89	0.59	0.44	0.35	
	M	80	0.28	20.8	16.6	13.9	10.4	8.3	6.9	5.5	4.2	0.95	0.64	0.48	0.38	
	F	90	0.30	22.3	17.8	14.9	11.1	8.9	7.4	5.9	4.5	1.02	0.68	0.51	0.41	
025	VC	30	0.22	16.3	13.1	10.9	8.2	6.5	5.4	4.4	3.3	0.75	0.50	0.38	0.30	
	C	40	0.25	18.6	14.9	12.4	9.3	7.4	6.2	5.0	3.7	0.85	0.57	0.43	0.34	
	M	50	0.28	20.8	16.6	13.9	10.4	8.3	6.9	5.5	4.2	0.95	0.64	0.48	0.38	
	M	60	0.31	23.0	18.4	15.3	11.5	9.2	7.7	6.1	4.6	1.06	0.70	0.53	0.42	
	M	70	0.33	24.5	19.6	16.3	12.3	9.8	8.2	6.5	4.9	1.13	0.75	0.56	0.45	
	M	80	0.35	26.0	20.8	17.3	13.0	10.4	8.7	6.9	5.2	1.19	0.80	0.60	0.48	
	M	90	0.37	27.5	22.0	18.3	13.7	11.0	9.2	7.3	5.5	1.26	0.84	0.63	0.50	
03	VC	30	0.26	19.3	15.4	12.9	9.7	7.7	6.4	5.1	3.9	0.89	0.59	0.44	0.35	
	C	40	0.30	22.3	17.8	14.9	11.1	8.9	7.4	5.9	4.5	1.02	0.68	0.51	0.41	
	M	50	0.34	25.2	20.2	16.8	12.6	10.1	8.4	6.7	5.0	1.16	0.77	0.58	0.46	
	M	60	0.37	27.5	22.0	18.3	13.7	11.0	9.2	7.3	5.5	1.26	0.84	0.63	0.50	
	M	70	0.40	29.7	23.8	19.8	14.9	11.9	9.9	7.9	5.9	1.36	0.91	0.68	0.55	
	M	80	0.42	31.2	24.9	20.8	15.6	12.5	10.4	8.3	6.2	1.43	0.95	0.72	0.57	
	M	90	0.45	33.4	26.7	22.3	16.7	13.4	11.1	8.9	6.7	1.53	1.02	0.77	0.61	
04	VC	30	0.35	26.0	20.8	17.3	13.0	10.4	8.7	6.9	5.2	1.19	0.80	0.60	0.48	
	C	40	0.40	29.7	23.8	19.8	14.9	11.9	9.9	7.9	5.9	1.36	0.91	0.68	0.55	
	M	50	0.45	33.4	26.7	22.3	16.7	13.4	11.1	8.9	6.7	1.53	1.02	0.77	0.61	
	M	60	0.49	36.4	29.1	24.3	18.2	14.6	12.1	9.7	7.3	1.67	1.11	0.84	0.67	
	M	70	0.53	39.4	31.5	26.2	19.7	15.7	13.1	10.5	7.9	1.81	1.20	0.90	0.72	
	M	80	0.57	42.3	33.9	28.2	21.2	16.9	14.1	11.3	8.5	1.94	1.30	0.97	0.78	
	M	90	0.60	44.6	35.6	29.7	22.3	17.8	14.9	11.9	8.9	2.05	1.36	1.02	0.82	
05	VC	30	0.43	31.9	25.5	21.3	16.0	12.8	10.6	8.5	6.4	1.47	0.98	0.73	0.59	
	C	40	0.50	37.1	29.7	24.8	18.6	14.9	12.4	9.9	7.4	1.71	1.14	0.85	0.68	
	M	50	0.56	41.6	33.3	27.7	20.8	16.6	13.9	11.1	8.3	1.91	1.27	0.95	0.76	
	M	60	0.61	45.3	36.2	30.2	22.6	18.1	15.1	12.1	9.1	2.08	1.39	1.04	0.83	
	M	70	0.66	49.0	39.2	32.7	24.5	19.6	16.3	13.1	9.8	2.25	1.50	1.13	0.90	
	M	80	0.71	52.7	42.2	35.1	26.4	21.1	17.6	14.1	10.5	2.42	1.61	1.21	0.97	
	M	90	0.75	55.7	44.6	37.1	27.8	22.3	18.6	14.9	11.1	2.56	1.71	1.28	1.02	
06	VC	30	0.52	38.6	30.9	25.7	19.3	15.4	12.9	10.3	7.7	1.77	1.18	0.89	0.71	
	C	40	0.60	44.6	35.6	29.7	22.3	17.8	14.9	11.9	8.9	2.05	1.36	1.02	0.82	
	M	50	0.67	49.7	39.8	33.2	24.9	19.9	16.6	13.3	9.9	2.28	1.52	1.14	0.91	
	M	60	0.73	54.2	43.4	36.1	27.1	21.7	18.1	14.5	10.8	2.49	1.66	1.24	1.00	
	M	70	0.79	58.7	46.9	39.1	29.3	23.5	19.6	15.6	11.7	2.69	1.80	1.35	1.08	
	M	80	0.85	63.1	50.5	42.1	31.6	25.2	21.0	16.8	12.6	2.90	1.93	1.45	1.16	
	M	90	0.90	66.8	53.5	44.6	33.4	26.7	22.3	17.8	13.4	3.07	2.05	1.53	1.23	
08	VC	30	0.69	51.2	41.0	34.2	25.6	20.5	17.1	13.7	10.2	2.35	1.57	1.18	0.94	
	C	40	0.80	59.4	47.5	39.6	29.7	23.8	19.8	15.8	11.9	2.73	1.82	1.36	1.09	
	M	50	0.89	66.1	52.9	44.1	33.0	26.4	22.0	17.6	13.2	3.03	2.02	1.52	1.21	
	M	60	0.98	72.8	58.2	48.5	36.4	29.1	24.3	19.4	14.6	3.34	2.23	1.67	1.34	
	M	70	1.06	78.7	63.0	52.5	39.4	31.5	26.2	21.0	15.7	3.61	2.41	1.81	1.45	
	M	80	1.13	83.9	67.1	55.9	42.0	33.6	28.0	22.4	16.8	3.85	2.57	1.93	1.54	
	M	90	1.20	89.1	71.3	59.4	44.6	35.6	29.7	23.8	17.8	4.09	2.73	2.05	1.64	

Features	
Common Use	Plant Health
Pattern	Tapered Flat Fan
Technology	Air Education
Material	Polycetetal
Spray Angle	110°
Pressure Range	30-115 PSI
Configuration	FastCap® Complete

Application Selection Guide	
Foliar Contact	Excellent
Foliar Systemic	Excellent
Soil Applied	-
Drift Control	Very Good

Part Numbers	
FastCaps 110°	
GAT110-02	
GAT110-025	
GAT110-03	
GAT110-04	
GAT110-05	
GAT110-06	
GAT110-08	

Replacement Tip Strainer	
TS02-50	50 mesh strainer for all sizes

	30	40	50	60	70	80	90	100	115
GAT110-02	C	M	M	M	M	M	M	F	F
GAT110-025	VC	C	M	M	M	M	M	M	M
GAT110-03	VC	C	M	M	M	M	M	M	M
GAT110-04	C	M	M	M	M	M	M	M	M
GAT110-05	VC	C	M	M	M	M	M	M	M
GAT110-06	VC	C	M	M	M	M	M	M	M
GAT110-08	VC	VC	C	C	M	M	M	M	M

HYPRO SPRAY TIPS



FLOOD SPRAY TIPS - DEFLECTIP™ 80° - 160°



The DeflectTip™ wide-angle flood fan tip creates a wide pattern at very low pressures while creating mainly medium and coarse droplets. It is well suited for mounting on machinery where a wide angle or a low spray height is desired and on sprayers using very low pressures, including manual sprayers.

- Sprays at very low pressures
- Medium to coarse spray is suited for a variety of applications
- Larger sizes are suitable for liquid fertilizer applications
- Large circular orifice reduces the chances of blocking

Tip Size	Droplet Size	Spray Angle	Pressure (PSI)	Flow Rate (GPM)	Gallons per Acre 20 inch nozzle spacing										GAL/1000ft ²				
					MPH										20 inch nozzle spacing				
					4	5	6	8	10	12	15	20	2	3	4	5			
0.5	C	80	10	0.050	1.9	1.5	1.2	0.9	0.7	0.6	0.5	0.4	0.17	0.11	0.09	0.07			
	M		20	0.071	2.6	2.1	1.8	1.3	1.1	0.9	0.7	0.5	0.24	0.16	0.12	0.10			
	F		30	0.087	3.2	2.6	2.2	1.6	1.3	1.1	0.9	0.6	0.30	0.20	0.15	0.12			
	F		40	0.10	3.7	3.0	2.5	1.9	1.5	1.2	1.0	0.7	0.34	0.23	0.17	0.14			
	F		50	0.11	4.1	3.3	2.7	2.0	1.6	1.4	1.1	0.8	0.38	0.25	0.19	0.15			
0.75	C	95	10	0.075	2.8	2.2	1.9	1.4	1.1	0.9	0.7	0.6	0.26	0.17	0.13	0.10			
	M		20	0.11	4.1	3.3	2.7	2.0	1.6	1.4	1.1	0.8	0.38	0.25	0.19	0.15			
	M		30	0.13	4.8	3.9	3.2	2.4	1.9	1.6	1.3	1.0	0.44	0.30	0.22	0.18			
	F		40	0.15	5.6	4.5	3.7	2.8	2.2	1.9	1.5	1.1	0.51	0.34	0.26	0.20			
	F		50	0.17	6.3	5.0	4.2	3.2	2.5	2.1	1.7	1.3	0.58	0.39	0.29	0.23			
1.0	C	105	10	0.10	3.7	3.0	2.5	1.9	1.5	1.2	1.0	0.7	0.34	0.23	0.17	0.14			
	M		20	0.14	5.2	4.2	3.5	2.6	2.1	1.7	1.4	1.0	0.48	0.32	0.24	0.19			
	M		30	0.17	6.3	5.0	4.2	3.2	2.5	2.1	1.7	1.3	0.58	0.39	0.29	0.23			
	M		40	0.20	7.4	5.9	5.0	3.7	3.0	2.5	2.0	1.5	0.68	0.45	0.34	0.27			
	F		50	0.22	8.2	6.5	5.4	4.1	3.3	2.7	2.2	1.6	0.75	0.50	0.38	0.30			
1.5	C	105	10	0.15	5.6	4.5	3.7	2.8	2.2	1.9	1.5	1.1	0.51	0.34	0.26	0.20			
	M		20	0.21	7.8	6.2	5.2	3.9	3.1	2.6	2.1	1.6	0.72	0.48	0.36	0.29			
	M		30	0.26	9.7	7.7	6.4	4.8	3.9	3.2	2.6	1.9	0.89	0.59	0.44	0.35			
	M		40	0.30	11.1	8.9	7.4	5.6	4.5	3.7	3.0	2.2	1.02	0.68	0.51	0.41			
	M		50	0.34	12.6	10.1	8.4	6.3	5.0	4.2	3.4	2.5	1.16	0.77	0.58	0.46			
2.0	C	105	10	0.20	7.4	5.9	5.0	3.7	3.0	2.5	2.0	1.5	0.68	0.45	0.34	0.27			
	M		20	0.28	10.4	8.3	6.9	5.2	4.2	3.5	2.8	2.1	0.95	0.64	0.48	0.38			
	M		30	0.35	13.0	10.4	8.7	6.5	5.2	4.3	3.5	2.6	1.19	0.80	0.60	0.48			
	M		40	0.40	14.9	11.9	9.9	7.4	5.9	5.0	4.0	3.0	1.36	0.91	0.68	0.55			
	M		50	0.45	16.7	13.4	11.1	8.4	6.7	5.6	4.5	3.3	1.53	1.02	0.77	0.61			
2.5	C	110	10	0.25	9.3	7.4	6.2	4.6	3.7	3.1	2.5	1.9	0.85	0.57	0.43	0.34			
	M		20	0.35	13.0	10.4	8.7	6.5	5.2	4.3	3.5	2.6	1.19	0.80	0.60	0.48			
	M		30	0.43	16.0	12.8	10.6	8.0	6.4	5.3	4.3	3.2	1.47	0.98	0.73	0.59			
	M		40	0.50	18.6	14.9	12.4	9.3	7.4	6.2	5.0	3.7	1.71	1.14	0.85	0.68			
	M		50	0.56	20.8	16.6	13.9	10.4	8.3	6.9	5.5	4.2	1.91	1.27	0.95	0.76			
3.0	C	110	10	0.30	11.1	8.9	7.4	5.6	4.5	3.7	3.0	2.2	1.02	0.68	0.51	0.41			
	M		20	0.42	15.6	12.5	10.4	7.8	6.2	5.2	4.2	3.1	1.43	0.95	0.72	0.57			
	M		30	0.52	19.3	15.4	12.9	9.7	7.7	6.4	5.1	3.9	1.77	1.18	0.89	0.71			
	M		40	0.60	22.3	17.8	14.9	11.1	8.9	7.4	5.9	4.5	2.05	1.36	1.02	0.82			
	M		50	0.67	24.9	19.9	16.6	12.4	9.9	8.3	6.6	5.0	2.28	1.52	1.14	0.91			
4.0	C	120	10	0.40	14.9	11.9	9.9	7.4	5.9	5.0	4.0	3.0	1.36	0.91	0.68	0.55			
	M		20	0.57	21.2	16.9	14.1	10.6	8.5	7.1	5.6	4.2	1.94	1.30	0.97	0.78			
	M		30	0.69	25.6	20.5	17.1	12.8	10.2	8.5	6.8	5.1	2.35	1.57	1.18	0.94			
	M		40	0.80	29.7	23.8	19.8	14.9	11.9	9.9	7.9	5.9	2.73	1.82	1.36	1.09			
	M		50	0.89	33.0	26.4	22.0	16.5	13.2	11.0	8.8	6.6	3.03	2.02	1.52	1.21			
5.0	C	125	10	0.50	18.6	14.9	12.4	9.3	7.4	6.2	5.0	3.7	1.71	1.14	0.85	0.68			
	M		20	0.71	26.4	21.1	17.6	13.2	10.5	8.8	7.0	5.3	2.42	1.61	1.21	0.97			
	M		30	0.87	32.3	25.8	21.5	16.1	12.9	10.8	8.6	6.5	2.97	1.98	1.48	1.19			
	M		40	1.00	37.1	29.7	24.8	18.6	14.9	12.4	9.9	7.4	3.41	2.27	1.71	1.36			
	M		50	1.12	41.6	33.3	27.7	20.8	16.6	13.9	11.1	8.3	3.82	2.55	1.91	1.53			
7.5	C	145	10	0.75	27.8	22.3	18.6	13.9	11.1	9.3	7.4	5.6	2.56	1.71	1.28	1.02			
	M		20	1.06	39.4	31.5	26.2	19.7	15.7	13.1	10.5	7.9	3.61	2.41	1.81	1.45			
	M		30	1.30	48.3	38.6	32.2	24.1	19.3	16.1	12.9	9.7	4.43	2.96	2.22	1.77			
	M		40	1.50	55.7	44.6	37.1	27.8	22.3	18.6	14.9	11.1	5.12	3.41	2.56	2.05			
	M		50	1.68	62.4	49.9	41.6	31.2	24.9	20.8	16.6	12.5	5.73	3.82	2.86	2.29			
10	VC	160	10	1.00	37.1	29.7	24.8	18.6	14.9	12.4	9.9	7.4	3.41	2.27	1.71	1.36			
	C		20	1.41	52.3	41.9	34.9	26.2	20.9	17.4	14.0	10.5	4.81	3.21	2.40	1.92			
	C		30	1.73	64.2	51.4	42.8	32.1	25.7	21.4	17.1	12.8	5.90	3.93	2.95	2.36			
	C		40	2.00	74.3	59.4	49.5	37.1	29.7	24.8	19.8	14.9	6.82	4.55	3.41	2.73			
	C		50	2.24	83.2	66.5	55.4	41.6	33.3	27.7	22.2	16.6	7.64	5.09	3.82	3.06			
15	XC	145	10	1.50	55.7	44.6	37.1	27.8	22.3	18.6	14.9	11.1	5.12	3.41	2.56	2.05			
	VC		20	2.12	78.7	63.0	52.5	39.4	31.5	26.2	21.0	15.7	7.23	4.82	3.61	2.89			
	C		30	2.60	96.5	77.2	64.4	48.3	38.6	32.2	25.7	19.3	8.87	5.91	4.43	3.55			
	C		40	3.00	111	89.1	74.3	55.7	44.6	37.1	29.7	22.3	10.2	6.82	5.12	4.09			
	C		50	3.35	124	99.5	82.9	62.2	49.7	41.5	33.2	24.9	11.4	7.62	5.71	4.57			
20	XC	140	10	2.00	74.3	59.4	49.5	37.1	29.7	24.8	19.8	14.9	6.82	4.55	3.41	2.73			
	VC		20	2.83	105	84.1	70.0	52.5	42.0	35.0	28.0	21.0	9.65	6.43	4.83	3.86			
	C		30	3.46	128	103	85.6	64.2	51.4	42.8	34.3	25.7	11.8	7.87	5.90	4.72			
	C		40	4.00	149	119	99.0	74.3	59.4	49.5	39.6	29.7	13.6	9.09	6.82	5.46			
	C		50	4.47	166	133	111	83.0	66.4	55.3	44.3	33.2	15.2	10.2	7.62	6.10			
			60	4.90	182	146	121	91.0	72.8	60.6	48.5	36.4	16.7	11.1	8.35	6.68			

Features	
Common Use	Weeds & Fertilizer
Pattern	Flood
Technology	Deflection
Material	Polyacetal
Spray Angle	80°-160°
Pressure Range	10-60 PSI
Configuration	Tip

Application Selection Guide	
Foliar Contact	-
Foliar Systemic	Good
Soil Applied	Very Good
Drift Control	Good

Part Numbers	
Tips	
30DT0.5	
30DT0.75	
30DT1.0	
30DT1.5	
30DT2.0	
30DT2.5	
30DT3.0	
30DT4.0	
30DT5.0	
30DT7.5	
30DT10	
30DT15	
30DT20	

DT - DeflecTip Wide-Angle Flat Flood Tip

	10 PSI	15 PSI	20 PSI	30 PSI	40 PSI	50 PSI	60 PSI
30DT0.5	C	M	M	F	F	F	F
30DT0.75	C	C	M	M	F	F	F
30DT1.0	C	C	M	M	M	M	F
30DT1.5	C	C	M	M	M	M	M
30DT2.0	C	C	C	M	M	M	M
30DT2.5	C	C	C	C	M	M	M
30DT3.0	C	C	C	C	M	M	M
30DT4.0	C	C	C	C	C	M	M
30DT5.0	C	C	C	C	C	C	M
30DT7.5	C	C	C	C	C	C	C
30DT10	VC	VC	VC	C	C	C	C
30DT15	XC	VC					

SPECIALTY PRODUCT - BOOMLESS FLAT FAN

Boom X-Tender® - XT Series Nozzles



The XT introduces boomless spray technology, enabling spray to be targeted into places that conventional booms and other tips cannot reach. XT delivers a uniform spray pattern over a distance of up to 20 feet. Ideal for weed control in forests and pastureland.

- Ideal for applications where a conventional boom cannot be used due to obstacles
- Common uses include orchard, vineyard, forestry, pasture, turf and golf course spraying, as well as maintaining rights-of-way and fence rows
- Excellent low-drift option while extending spray reach
- Large droplet size reduces spray drift and promotes spray penetration
- Maintains a consistent spray swath over a pressure range of 30-60 PSI
- Standard models with precision-molded polyacetal tip and threaded stainless steel body provide excellent durability and low maintenance

BROADCAST and TURF Applications				Application Rate (GPA)												US Gal/1000 sq.ft.				Swath Width (ft) @ 40 PSI
Thread	Model	PSI	US GPM	Miles Per Hour												Miles Per Hour				
				4	5	6	7	8	10	12	14	16	18	20	2	3	4	5		
1/4" MNPT	XT010	30	0.9	7.0	5.6	4.6	4.0	3.5	2.8	2.3	2.0	1.7	1.5	1.4	0.32	0.21	0.16	0.13	16	
		40	1.0	7.7	6.2	5.2	4.4	3.9	3.1	2.6	2.2	1.9	1.7	1.5	0.36	0.24	0.18	0.14		
		50	1.1	8.5	6.8	5.7	4.9	4.3	3.4	2.8	2.4	2.1	1.9	1.7	0.39	0.26	0.20	0.16		
		60	1.2	9.3	7.4	6.2	5.3	4.6	3.7	3.1	2.7	2.3	2.1	1.9	0.43	0.28	0.21	0.17		
1/4" MNPT	XT020	30	1.7	12.4	9.9	8.3	7.1	6.2	5.0	4.1	3.5	3.1	2.8	2.5	0.57	0.38	0.28	0.23	17	
		40	2.0	14.6	11.6	9.7	8.3	7.3	5.8	4.9	4.2	3.6	3.2	2.9	0.67	0.45	0.33	0.27		
Quick Attach	FC-XT020	50	2.2	16.0	12.8	10.7	9.2	8.0	6.4	5.3	4.6	4.0	3.6	3.2	0.74	0.49	0.37	0.29	17	
		60	2.4	17.5	14.0	11.6	10.0	8.7	7.0	5.8	5.0	4.4	3.9	3.5	0.80	0.53	0.40	0.32		
1/4" MNPT	XT024	30	2.1	14.4	11.6	9.6	8.3	7.2	5.8	4.8	4.1	3.6	3.2	2.9	0.66	0.44	0.33	0.27	18	
		40	2.4	16.5	13.2	11.0	9.4	8.3	6.6	5.5	4.7	4.1	3.7	3.3	0.76	0.51	0.38	0.30		
Quick Attach	FC-XT024	50	2.7	18.6	14.9	12.4	10.6	9.3	7.4	6.2	5.3	4.6	4.1	3.7	0.85	0.57	0.43	0.34	18	
		60	2.9	19.9	16.0	13.3	11.4	10.0	8.0	6.6	5.7	5.0	4.4	4.0	0.92	0.61	0.46	0.37		
3/8" MNPT	XT043	30	3.7	25	20	17.0	14.5	12.7	10.2	8.5	7.3	6.4	5.7	5.1	1.2	0.78	0.58	0.47	18	
		40	4.3	30	24	19.7	16.9	14.8	11.8	9.9	8.4	7.4	6.6	5.9	1.4	0.90	0.68	0.54		
Quick Attach	FC-XT043	50	4.8	33	26	22	18.9	16.5	13.2	11.0	9.4	8.3	7.3	6.6	1.5	1.0	0.76	0.61	18	
		60	5.3	36	29	24	21	18.2	14.6	12.1	10.4	9.1	8.1	7.3	1.7	1.1	0.84	0.67		
1/2" MNPT	XT080	30	6.9	50	40	33	29	25	20	16.7	14.4	12.6	11.2	10.0	2.3	1.5	1.2	0.92	17	
		40	8.0	58	47	39	33	29	23	19.4	16.6	14.6	12.9	11.6	2.7	1.8	1.3	1.1		
		50	8.9	65	52	43	37	32	26	22	18.5	16.2	14.4	13.0	3.0	2.0	1.5	1.2		
		60	9.8	71	57	48	41	36	29	24	20	17.8	15.9	14.3	3.3	2.2	1.6	1.3		
3/4" MNPT	XT167	30	14.5	112	90	75	64	56	45	37	32	28	25	22	5.1	3.4	2.6	2.1	16	
		40	16.7	129	103	86	74	65	52	43	37	32	29	26	5.9	4.0	3.0	2.4		
		50	18.7	145	116	96	83	72	58	48	41	36	32	29	6.6	4.4	3.3	2.7		
		60	20.5	159	127	106	91	79	63	53	45	40	35	32	7.3	4.9	3.6	2.9		
3/4" MNPT	XT215	30	18.6	115	92	77	66	58	46	38	33	29	26	23	5.3	3.5	2.6	2.1	20	
		40	21.5	133	106	89	76	67	53	44	38	33	30	27	6.1	4.1	3.1	2.4		
		50	24.0	149	119	99	85	74	59	50	42	37	33	30	6.8	4.5	3.4	2.7		
		60	26.3	163	130	108	93	81	65	54	46	41	36	0	7.5	5.0	3.7	3.0		

Note: Application rates are based on overall swath widths listed at 48" height. Refer to operating instructions if using a different swath.

HYPRO SPRAY TIPS

Hypro ProFlo™ Nozzle Bodies

Nozzle Bodies with the Highest Flow Rates in the Industry



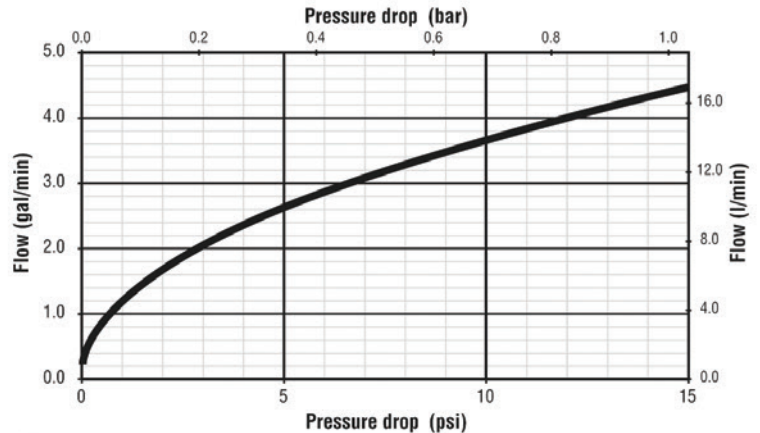
BENEFITS

- Designed to deliver the highest flow rates across the spraying pressure range
- Unique DCV (diaphragm check valve) design reduces restrictions in the flow path, enabling 2.6 gpm with a 5 psi pressure drop through the nozzle
- Supports faster field speeds with the same coverage and supports direct fertilizer application through the nozzle body DCV flow path
- Turret-indexing design provides improved consistency and reliability throughout the life of the nozzle body – eliminating free spinning and seizing problems seen on competitive nozzle bodies
- Automatic spray alignment using flat fan spray tips
- Compact design makes mounting easier with less potential interference with the spray boom structure
- ProFlo nozzle bodies come standard with an 8 psi (.55 bar) diaphragm check valve. 4 psi, 12 p

FEATURES

- Three turret styles for an easy change of spray tips: single, 3-way, and 5-way
- Provides lowest pressure drop at any given flow in the industry
- 2.6 gpm (9.84 LPM) with a 5 psi (.345 BAR) pressure drop
- Available in wet or dry boom versions
- Positive shutoff between each spray position
- Custom logos available upon request (minimum quantities apply)

ProFlo Nozzle Body Performance Curve



HYPRO NOZZLES

ProFlo™ Nozzle Bodies

3 and 5-Way Nozzle Bodies for Wet Boom (no tab for boom clamp)



Seal Option/ Housing Reference	Turret Options	(to clamp on) Pipe Size				
		½"	¾"	1"	20mm	25mm
EPDM/Red	3	4223N-B322	4223N-B323	4223N-B324	4223N-B327	4223N-B328
	5	4223N-B522	4223N-B523	4223N-B524	4223N-B527	4223N-B528
Viton/Green	3	4223N-B322V	4223N-B323V	4223N-B324V	4223N-B327V	4223N-B328V
	5	4223N-B522V	4223N-B523V	4223N-B524V	4223N-B527V	4223N-B528V

Sold in Quantities of 100
For Individual Bags, Add Suffix -00 (i.e.: 4223N-B322-00)

Triple Nozzle Bodies for Wet Boom



Part Number	Description
4222N-B322	1/2" split clamp
4222N-B323	3/4" split clamp
4222N-B324	1" split clamp
4222N-B323C	3/4" hinged clamp
4222N-B324C	1" hinged clamp
4222N-B334C	1" hinged clamp 12 psi DCV

Single Drop Nozzle Body for Wet Boom



Seal Option/ Housing Reference	(to clamp on) Pipe Size				
	½"	¾"	1"	20mm	25mm
EPDM/Red	4221N-B122	4221N-B123	4221N-B124	4221N-B127	4221N-B128
Viton/Green	4221N-B122V	4221N-B123V	4221N-B124V	4221N-B127V	4221N-B128V

¼" FNPT Outlet- Substitute B with F (i.e.: 4221N-F122)
Sold in Quantities of 100
For Individual Bags, Add Suffix -00 (i.e.: 4221N-B322-00)

3 & 5-way Nozzle Bodies with Tab for Boom Clamp



Seal Option/ Housing Reference	Turret Options	(to clamp on) Pipe Size				
		½"	¾"	1"	20mm	25mm
EPDM/Red	3	4243N-B322	4243N-B323	4243N-B324	4243N-B327	4243N-B328
	5	4243N-B522	4243N-B523	4243N-B524	4243N-B527	4243N-B528
Viton/Green	3	4243N-B322V	4243N-B323V	4243N-B324V	4243N-B327V	4243N-B328V
	5	4243N-B522V	4243N-B523V	4243N-B524V	4243N-B527V	4243N-B528V

Sold in Quantities of 100
For Individual Bags, Add Suffix -00 (i.e.: 4223N-B322-00)

3 & 5-way Nozzle Bodies with Tab for Boom Clamp and Hose Barb for Dry Boom



Seal Option/ Housing Reference	¾"		1"	
	Single Ended HB	Double Ended HB	Single Ended HB	Double Ended HB
EPDM/Red	4263N-B323S	4263N-B323D	4263N-B324S	4263N-B324D
	4263N-B523S	4263N-B523D	4263N-B524S	4263N-B524D
Viton/Green	4263N-B523SV	4263N-B523DV	4263N-B524SV	4263N-B524DV
	4263N-B323SV	4263N-B323DV	4263N-B324SV	4263N-B324DV

Sold in Quantities of 100
For Individual Bags, Add Suffix -00 (i.e.: 4223N-B323S-00)

Dry Boom Adapters for Multi-Turret



Part Number	Type	Clamp Size	Hose Barb
4200-0111N	Single	½" Pipe	½"
4200-0112N	Single	¾" Pipe	¾"
4200-0113N	Single	¾" Pipe	1"
4200-0114N	Single	1" Pipe	¾"
4200-0115N	Single	1" Pipe	1"
4200-0211N	Double	½" Pipe	½"
4200-0212N	Double	¾" Pipe	¾"
4200-0213N	Double	¾" Pipe	1"
4200-0214N	Double	1" Pipe	¾"
4200-0215N	Double	1" Pipe	1"

* 8 PSI Diaphragm check valve unless otherwise noted.

ProFlo™ Nozzle Bodies

Hose Barb Triple Nozzle Bodies-with DCV



Single hose barb P/N	Double hose barb P/N	Triple hose barb P/N	Hose ID
4242N-B322S	4242N-B322D	4242N-B322T	½"
4242N-B323S	4242N-B323D	4242N-B323T	¾"

Hose Barb Dry Boom Nozzle Bodies-with DCV



Single hose barb P/N	Double hose barb P/N	Triple hose barb P/N	Hose ID
4241N-B121S	4241N-B121D	4241N-B121T	¾"
4241N-B122S	4241N-B122D	4241N-B122T	½"
4241N-B123S	4241N-B123D	4241N-B123T	¾"

Hose Barb Dry Boom Nozzle Bodies-with Top-Mounted DCV



Single hose barb P/N	Double hose barb P/N	Hose ID
4240N-B121S	4240N-B121D	¾"
4240N-B122S	4240N-B122D	½"
4240N-B123S	4240N-B123D	¾"

Threaded Single Nozzle Bodies-with DCV



Seal Options/ Housing Reference	1/4" MNPT x 1/4" FNPT			1/4" MNPT x Bayonet	11/16" UNF x Bayonet
	4 PSI	8 PSI	25 PSI	8 PSI	8 PSI
EPDM/Red	4240N-F110	4240N-F120	4240N-F150	4240N-B020	4241N-B120U
Viton/Green	4240N-F110V	4240N-F120V	4240N-F150V	4240N-B020V	-

Wet Boom Single Nozzle Bodies-No DCV



Single hose barb P/N	Hose ID
4201N-B102	½" clamp
4201N-B103	¾" clamp
4201N-B104	1" clamp

Hose Barb Dry Boom Nozzle Bodies-No DCV



Single hose barb P/N	Double hose barb P/N	Triple hose barb P/N	Hose ID
4231N-B101S	4231N-B101D	4231N-B101T	¾"
4231N-B102S	4231N-B102D	4231N-B102T	½"
4231N-B103S	4231N-B103D	4231N-B103T	¾"

Clamps

ProFlo™ Dry Boom Clamps with Slot for Easy Assembly



Part Number	Material	Piping/Tubing O.D.
1520-1075	zinc plated steel	3/4" square tubing
1520-1100	zinc plated steel	1" square tubing
1520-1125	zinc plated steel	1-1/4" square tubing
1520-1150	zinc plated steel	1-1/2" square tubing
1520-1075SS	304 stainless steel	3/4" square tubing
1520-1100SS	304 stainless steel	1" square tubing
1520-1125SS	304 stainless steel	1-1/4" square tubing
1520-1150SS	304 stainless steel	1-1/2" square tubing

Steel Boom Clamps for use with 11/16" MPS Nozzle Bodies



Part Number	Description
BC34R*	3/4" Round Pipe
BC100R*	1" Round Pipe
BC100	1" Square
BC114	1-1/4" Square

* Dimensions refer to I.D. (inner diameter).

HYPRO NOZZLES

RAVEN ELECTRIC CONTROL SYSTEMS

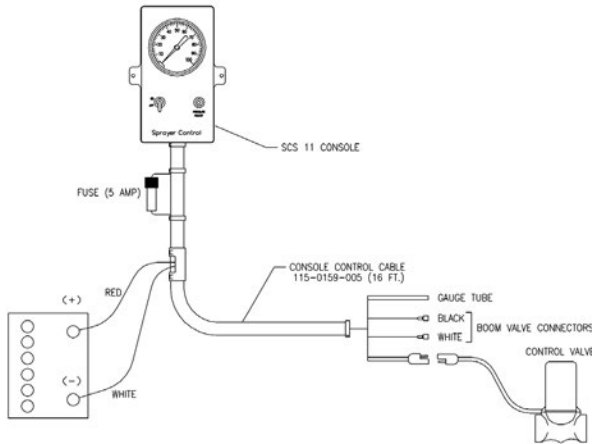
ELECTRONICS

SCS-11 CONTROL SYSTEM

Remote control system with gauge and pressure regulator for one 12 volt solenoid valve (not included). Kit includes nylon regulator valve, one 100psi gauge, 16 ft. signal cable, 8 ft. battery cable, control box with toggle switches for regulator and solenoid valve.

Order No. RASCS-11 (070-0159-011)

*Not Subject To Normal Dealer Discount



SCS-103 CONTROL SYSTEM

Remote control system with 8 ft. control to valve cable and fused control box with toggle switches. Does not include gauge or regulator valve or 3 solenoid boom control valves.

Order No. RASCS-103 (070-0159-103)

*Not Subject To Normal Dealer Discount

SCS-440 CONTROL SYSTEM

Unit includes a 1" poly control valve, 1-55 gpm poly flow meter and wheel drive speed sensor. For use with chemicals and liquid fertilizer. Operator can program two different application rates, flip a switch to rate 1 or rate 2 or switch to manual for spot spraying. Operator has instant access to volume left in tank, time, total area worked, total volume applied, field area, vehicle speed, distance traveled, area worked per hour and gallons per minute.

Order No. RASCS-440-10WD-055 (944810WD055)

*Not Subject To Normal Dealer Discount

RAVEN BUTTERFLY VALVE

Your choice of 3/4" or 1" nylon butterfly valve. Features high torque 12 volt DC motor.

For use with Raven control systems.

Order No. RA063-0159-001-3/4" valve

Order No. RA063-0172-125-1" valve

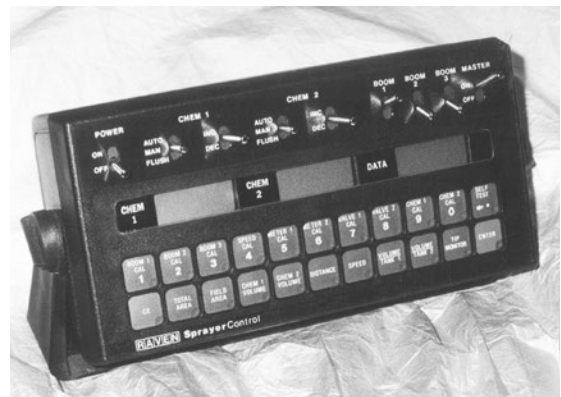
*Not subject to normal discount

RAVEN FLOW METERS

RFM-55 flow meter delivers 1 to 55 gallon per minute and features polypropylene materials suitable for chemicals and liquid fertilizers.

Order No. RA063-0171-793

*Not subject to normal discount.



RAVEN RADAR SPEED SENSORS FOR USE WITH THE SCS440 UNIT

Radar gun & cable **Order No. RA063-0159-836**

Wheel drive speed sensor **Order No. RA063-0159-484**

Drive shaft speed sensor **Order No. RA063-0159-730**

Radar speed sensor without radar gun.

*Specify TRW, Dickey-John or Magnavox when ordering.

Order No. RA063-0159-specify type - POA

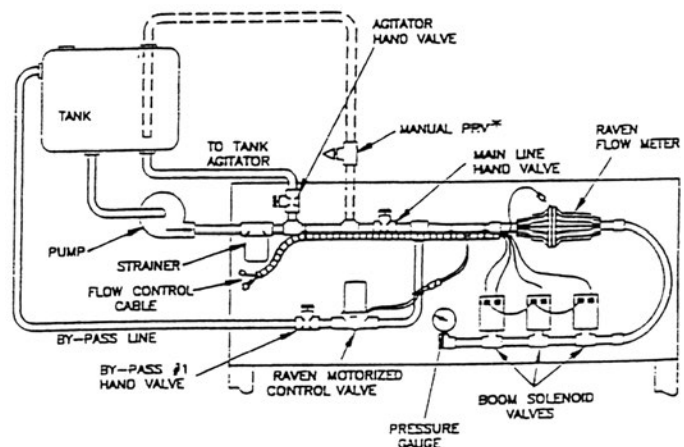
*Not subject to normal discount.

RAVEN WHEEL DRIVE SENSOR FOR USE WITH THE SCS500 UNIT

Wheel drive speed sensor for use on SCS500 unit.

Order No. RA063-0159-539

*Not subject to normal discount



CALL BROYHILL SALES DEPARTMENT FOR CURRENT RAVEN PRICING

CALC-AN-ACRE II

OPERATING THE CONSOLE: The Calc-An-Acre II features a large readout with lighted liquid crystal display and easy-to-use rotary switch. When the console is powered up and turned on, Total Hours will appear for about three seconds (non-resettable). To initiate any operation, turn the knob so the dial points to the chosen function.

Built for your needs:

- Lighted readout for night use
- High-contrast Liquid Crystal Display with large, easy-to-read numbers
- Heavy-duty rotary switch for easy function change
- Push-button run/hold, counter reset and calibration keys
- Hall-effect speed sensor with no internal moving parts for longer life and greater reliability
- Weatherproof cable connectors
- Heavy-duty composite case; impact and weather resistant - compact design requires minimal space

AREA (1) (2) (3): Keeps a running count of the total acres (hectares) (thousands of square feet) worked in 3 independent counters. May be reset.

SPEED: Displays ground speed in miles per hour (kilometers per hour).

AREA / HOUR : Displays current work rate in acres per hour or hectares per hour or thousands of square feet per hour.

TOTALHOURS: Shows hours of operation (can be reset).

RPM: Displays shaft RPM (requires optional Shaft Sensor Kit P/N 01539).

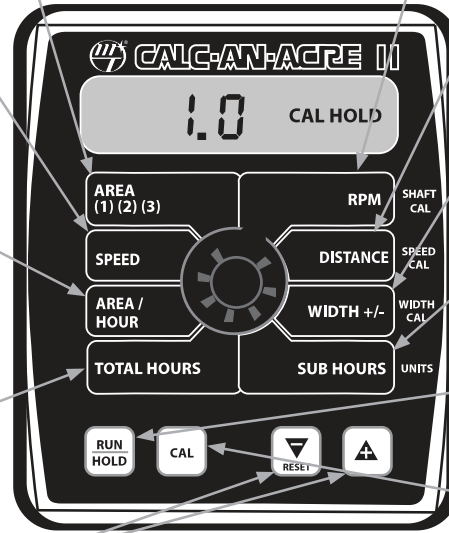
DISTANCE: Displays distance traveled in feet (meters). May be reset.

WIDTH +/-: Changes effective working width on-the-go, in 25% increments.

SUB HOURS: Shows sub hours of operation (can be reset).

RUN/HOLD: This key changes status between RUN and HOLD.

CAL: This key is used to enter and exit the calibration mode.



PROGRAM KEYS: These keys are used to calibrate the system:

- The "+" key increases the figure displayed in readout, while "-" decreases the figure.
- **RESET** clears the selected counter when you hold for three seconds.
- The "+" or "-" keys also change the effective working width, on-the-go, when the dial is set to that position.

CALIBRATION POSITIONS

SHAFT CAL: Used in calibration mode to enter shaft pulses per revolution (for RPM readout).

SPEED CAL: Used in calibration mode to enter the speed calibration number in inches (cm) per pulse.

WIDTH CAL: Used in calibration mode to enter the working width of your sprayer booms or other equipment.

UNITS: Used in calibration mode to select between English, Metric and Turf.

Order No. MTR01000
***Not Subject to Normal Discount**

MICRO-TRAK'S ELECTRONIC WARRANTY IS HANDLED DIRECTLY THROUGH MICRO-TRAK. PLEASE CALL 1-800-328-9613

SPRAYING SYSTEMS 144 SOLENOID VALVES

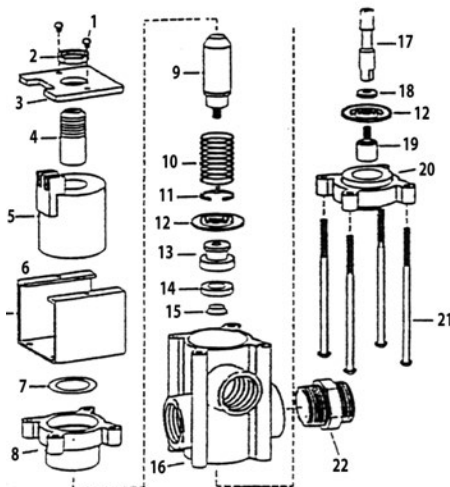
12 Volt D.C. solenoid valves for remote electric on-off control of boom or nozzle lines. 144 Series valves feature polypropylene bodies with 1/2" female NPT outlet and two 3/4" female NPT inlets. Pressure drop of only 5 psi with 10 gpm flow.

Order No.	No. of Valves	Flow
SSAA144A-1	1 valve	1 way flow
SSAA144A-2	2 valve	1 way flow
SSAA144A-3	3 valve	1 way flow
SSAA144A-1-3	1 valve	3 way flow

NEW STYLE PARTS LIST FOR SSAA144A-1 SOLENOID

NEW STYLE DOES NOT HAVE A BOOT ON THE END OF THE VALVE

Ref.	Order No.	Description
1	SS14933-SS	Screw (2 required)
2	SS15168-IENP	Jam nut
3	SS15166-I	Coil cover
4	SS15161-I	Armature stop
5	SS15163-NYB	Coil assembly, nylon
6	SS14927-3-1	Strap
7	SS15169-302SS	Washer
8	SS15164-NYB	Upper diaphragm housing (black)
9	SS15170-IENP	Armature
10	SS15167-302SS	Spring
11	SS14813-I-IENP	Retaining ring
12	SS36101-R	Diaphragm, EPDM (2 req'd)
	SS36101-VI	Opt. viton diaphragm (2 req'd)
13	SS14807-SS	Seat washer retainer
14	SS14802-R	Seat washer, EPR rubber
	SS14802-VI	Seat washer, viton (optional)
15	SS14811-SS	Spacer, SS
16	SS14801-PP	Body, polypropylene (black)
17	SS14812-SS	Stem
18	SS14806-SS	Washer
19	SS15162-SS	Lower diaphragm piston
20	SS15165-NYB	Lower diaphragm housing (black)
21	SS14819-SS	Screw (4 required) (price each)
22	SS21737-NYB	Connecting nipple, nylon, black for use on multiple units only



REPAIR KITS FOR 144 VALVES

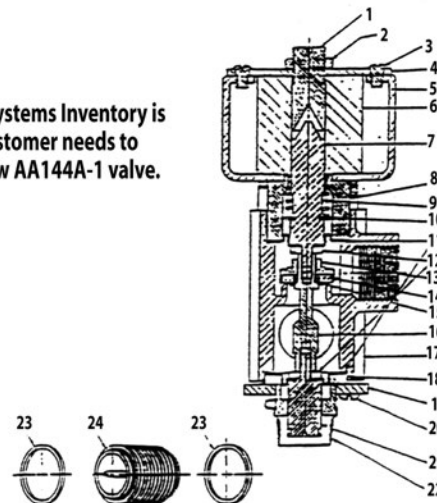
Order No.	Flow
SSPK-AB144A-1-KIT	For new style 144A-1 valve
SSPK-AB144-1-KIT	For old style 144-1 valve
SSPK-AB144A-1-VI-KIT	For 144A-1 with viton seal

OLD STYLE PARTS LIST FOR SSAA144-1 SOLENOID

(With Boot)

Ref.	Order No.	Description
1	*SS14809-IENP	Armature stop NLA
2	SS14814-IENP	Jam nut
3	SS14933-SS	Screw (2 required) (price each)
4	*SS14926-1	Coil cover - No longer Available
5	SS14927-3-1	Strap
6	*SS14810-1-NY	12 volt coil assembly NLA
7	*SS14815-IENP	Armature* - No Longer Available
8	*SS14816-IENP	Upper diaphragm housing NLA
9	SS14803-302SS	Spring
10	SS14813-IENP	Retaining ring
11	SS14818-R	Diaphragm, (EPDM 2 required)
12	SS14806-SS	Washer (2 required)
13	SS14807-SS	Seat washer retainer
14	SS14802	Seat washer, EPDM rubber
15	SS14811-SS	Spacer
16	SS14812-SS	Stem
17	SS14801-PP	Body, polypropylene
18	*SS14808-SS	Lower diaphragm housing No Longer Available
19	SS14804-1-I	Bottom plate
20	SS14819-SS	Screw (4 required)
21	*SS14817-SS	Lower diaphragm piston No Longer Available
22	SS14878-R	Boot, EPDM rubber
23	*SS8432-BU	Gasket, Buna-N (for 144-2 & -3) NLA
24	*SS8343-NY	Close nipple, nylon (for 144-2 & 3) NLA

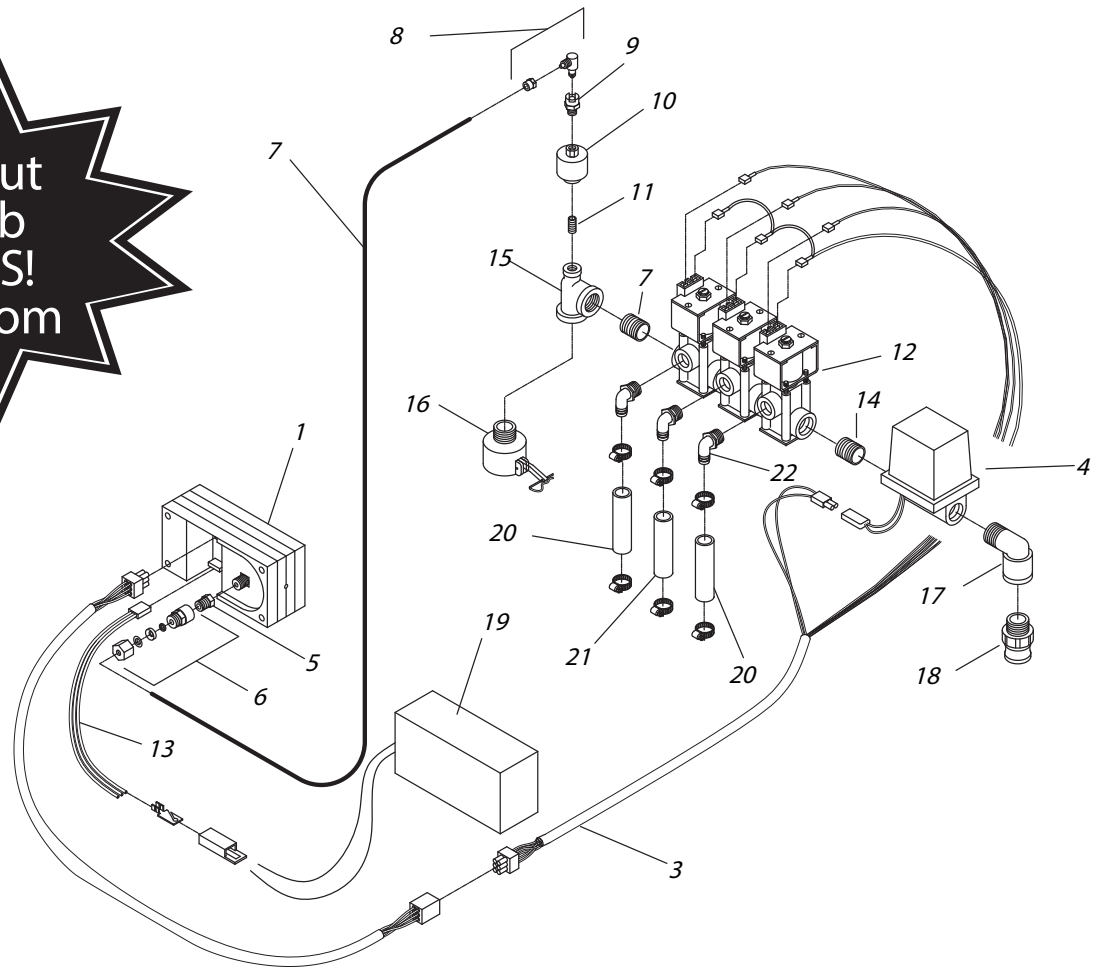
* Spraying Systems Inventory is depleted, customer needs to purchase new AA144A-1 valve.



VALVES

TYPICAL PLUMBING SET UP USING SPRAYING SYSTEMS 144 SOLENOID VALVES AND 744 CONTROL BOX

VALVES



Ref.	Order No.	Description
1	SSAAK744A-100L-33S (90-50163)	744 control box with 3 switches & liquid filled gauge
2	SS21720-8 (45-20091)	Extension cable, 8 ft.
3	SS21725-8 (45-20090)	End cable, 8 ft.
4	SS244	3/4" Electric reg valve
5	ZZRB-14-18	1/4" x 1/8" reducing bushing
6	SUN4FC4	Tubing coupler, 1/4" FNPT x 1/4" tube
7	SUNB4-035X180	Nylon tubing 1/4" OD x 15 ft. long
8	FPPMCD-21-04	Elbow
9	FPPMCD-10-04	Coupler body with check valve
10	SS23800A-1/4	Gauge isolator kit
11	ZZCN-14	Close nipple, 1/4"

Ref.	Order No.	Description
12	SSAA144A-3	Solenoid valve assembly, 3 valves 3/4" inlet x 1/2" outlet
13	SS21478-2	Power cable assembly
14	ZZCN-34	Close nipple, 3/4"
15	ZZRTW-34-14-34	Reducing tee, 3/4" x 1/4" x 3/4"
16	PT3/4B-SEMI-	3/4" female coupler x 3/4" MNPT
17	ZZSE-34	3/4" street elbow, cast iron
18	PT3/4A-SEMI-	3/4" coupler
19	-	Pump control box
20	GR-L85-3/4X108	3/4" black hose x 9 ft. long
21	GR-L85-3/4X24	3/4" black hose x 2 ft. long
22	PEEL1234	1/2" x 3/4" nylon elbow

TEEJET 744 - 844 - 855 ELECTRIC SPRAYER CONTROLS

TeeJet 744A sprayer control sealed heavy duty switches, keeping them free from dust and moisture. LEDs indicate power 'on' status for each boom section, 2 1/2" gauge liquid filled gauge. The 744A is capable of controlling either solenoid or ball-type boom control valves. (Control box only, no solenoid valves or pressure regulating valve included).

Manual 3 switch control with liquid filled 100psi gauge (no valves).

Order No. SSA744A-100L-3 (90-50149)

MANUAL CONTROL KITS

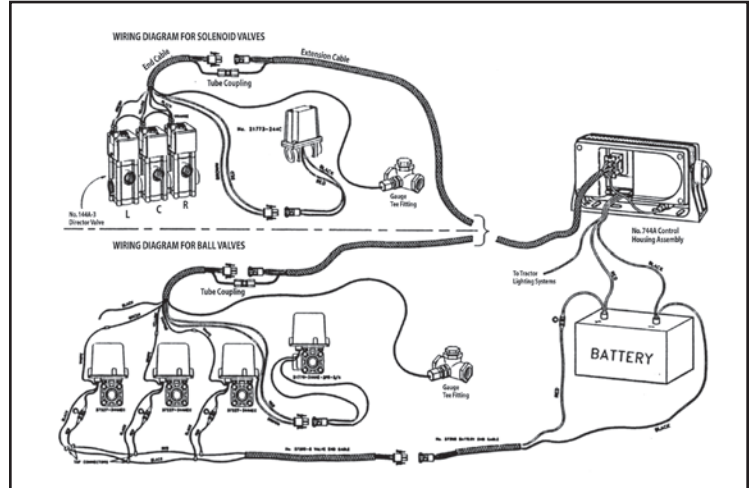
TeeJet's K-Series kits provide the necessary components to upgrade your sprayer for remote application control. Kits are packaged to include a control console, a pressure regulator valve, cables and required hardware.

744A-100L-3 control with liquid filled gauge and 3/4" pressure regulator valve.

Order No. SSAK744A-100L-30S (90-50161)

744A-100L-33S control unit with liquid filled gauge, 3/4" pressure regulating valve and three 144A DirectoValve boom section valves.

Order No. SSAK744A-100L-33S (90-50163)



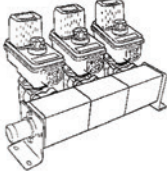
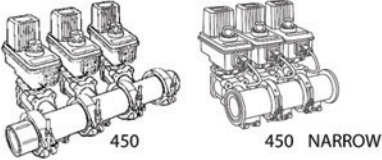
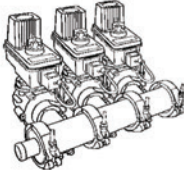
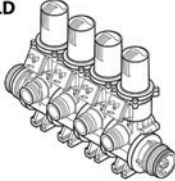
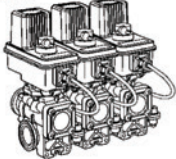
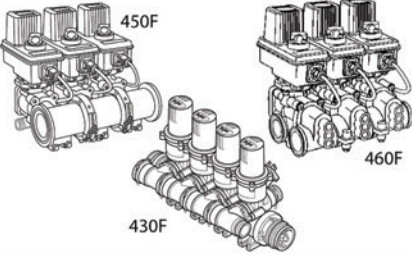
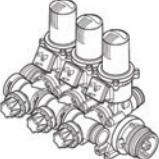
VALVES

844-855 KITS

	<p>IN MOST CASES, CORE KITS LISTED ON THIS PAGE DO NOT INCLUDE ALL COMPONENTS NECESSARY FOR A WORKING CONTROL SYSTEM. REFER TO INDIVIDUAL CORE KIT DESCRIPTIONS FOR DETAILS.</p> <p>854 SPRAYER CONTROL KITS</p> <p>90-02108 Kit, 854 Core (console with mounting brackets, cables, manual).....</p> <p>75-50001 854 Console</p> <p>98-05051 User Guide, 854 Sprayer Control</p>
	<p>844-E SPRAYER CONTROL KITS</p> <p>90-50017 Kit, 844-E-5 Core (console w/mounting brackets, cables, manual).....</p> <p>75-50006 Console, 844-E-5 console with Foam Marker Switch</p> <p>75-50011 Console, 844-E-5 console only.....</p> <p>98-70006 User Guide, 844-E Sprayer Control</p>
	<p>834 SPRAYER CONTROL</p> <p>90-50014 Kit, 834-5 Core (US Units includes console, mounting brackets, cables, pressure sensor, and manual)</p> <p>90-50015 Kit, 834-5 Core (Metric Units includes console, mounting brackets, cables, pressure sensor, and manual)</p> <p>90-50016 Kit, 834-5 Core (Roadway Applications).....</p> <p>75-50004 Console, 834-5 Console Only (US Units).....</p> <p>75-50005 Console, 834-5 Console Only (Metric Units)</p> <p>75-50018 Console, 834-5 Console Only (De-Icing).....</p> <p>98-70004 User Guide, 834 Sprayer Control</p>
	<p>834-P SPRAYER CONTROL</p> <p>90-50225 Kit, 834-P Core (includes console, mounting brackets, cables, booster module, pressure sensor, proximity sensor, and manual).....</p> <p>75-50048 Console, 834-P Console Only</p> <p>98-70028 User Guide, 834-P Sprayer Control</p>

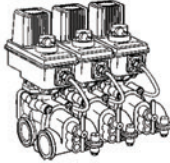
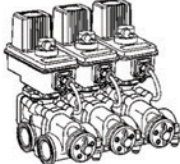
VALVES

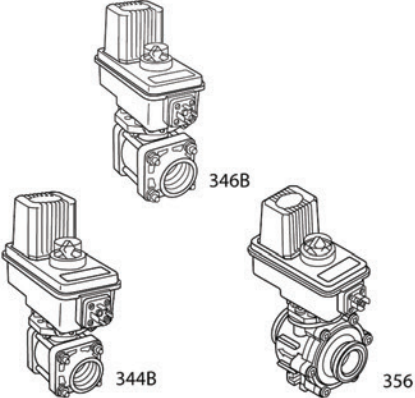
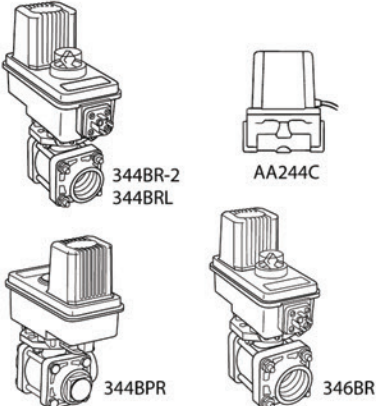
VALVES

DirectoValve® ELECTRIC MANIFOLD VALVES	
ALL "B" TYPE DIRECTOVALVES ARE AVAILABLE WITH CABLE (C) OR DIN (D) ELECTRICAL CONNECTIONS ALL "430" TYPE DIRECTOVALVES ARE AVAILABLE WITH DIN (D) ELECTRICAL CONNECTIONS	
440 MANIFOLD 	441BEC-C or D DirectoValve Manifold 442BEC-C or D DirectoValve Manifold 443BEC-C or D DirectoValve Manifold 444BEC-C or D DirectoValve Manifold 445BEC-C or D DirectoValve Manifold Manifold assemblies are available with a variety of inlets/outlets. Contact your TeeJet Dealer or sales office for more information.
450 SERIES MANIFOLDS 	451BEC-2(N)-C or D DirectoValve Manifold 452BEC-2(N)-C or D DirectoValve Manifold 453BEC-2(N)-C or D DirectoValve Manifold 454BEC-2(N)-C or D DirectoValve Manifold 455BEC-2(N)-C or D DirectoValve Manifold Manifold assemblies are available with a variety of inlets/outlets. Contact your TeeJet Dealer or sales office for more information.
490 MANIFOLD 	(Stainless Steel Ball & Stem) 491BEC-C or D three 356 Trunnion Valve Manifold 492BEC-C or D three 356 Trunnion Valve Manifold 493BEC-C or D three 356 Trunnion Valve Manifold 494BEC-C or D three 356 Trunnion Valve Manifold 495BEC-C or D three 356 Trunnion Valve Manifold Manifold assemblies are available with a variety of inlets/outlets. Contact your TeeJet Dealer or sales office for more information.
430 2-WAY MANIFOLD 	(Stainless Steel Ball & Stem) 431EC-2-D 2-way DirectoValve Manifold 432EC-2-D 2-way DirectoValve Manifold 433EC-2-D 2-way DirectoValve Manifold 434EC-2-D 2-way DirectoValve Manifold 435EC-2-D 2-way DirectoValve Manifold Manifold assemblies are available with a variety of inlets/outlets. Contact your TeeJet Dealer or sales office for more information.
460 2-WAY MANIFOLD 	(Stainless Steel Ball & Stem) 461BEC-2-C or D 2-way DirectoValve Manifold 462BEC-2-C or D 2-way DirectoValve Manifold 463BEC-2-C or D 2-way DirectoValve Manifold 464BEC-2-C or D 2-way DirectoValve Manifold 465BEC-2-C or D 2-way DirectoValve Manifold Manifold assemblies are available with a variety of inlets/outlets. Contact your TeeJet Dealer or sales office for more information.
430F, 450F AND 460F FLOW BACK VALVES 	(Stainless Steel Ball & Stem) 431EC-3FB-D 2-way DirectoValve Flow Back Manifold 433EC-3FB-D 2-way DirectoValve Flow Back Manifold 435EC-3FB-D 2-way DirectoValve Flow Back Manifold 451BEC-3FB-C or D 2-way DirectoValve Flow Back Manifold 453BEC-3FB-C or D 2-way DirectoValve Flow Back Manifold 455BEC-3FB-C or D 2-way DirectoValve Flow Back Manifold 461BEC-3FB-C or D 2-way DirectoValve Flow Back Manifold 463BEC-3FB-C or D 2-way DirectoValve Flow Back Manifold 465BEC-3FB-C or D 2-way DirectoValve Flow Back Manifold Manifold assemblies are available with a variety of inlets/outlets. Contact your TeeJet Dealer or sales office for more information.
DirectoValve® ELECTRIC MANIFOLD 3-WAY VALVES	
430 3-WAY 	(Stainless Steel Ball & Stem) 431EC-3-D Shutoff/Bypass DirectoValve Manifold 433EC-3-D Shutoff/Bypass DirectoValve Manifold 435EC-3-D Shutoff/Bypass DirectoValve Manifold Manifold assemblies are available with a variety of inlets/outlets. Contact your TeeJet Dealer or sales office for more information.

VALVES


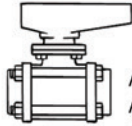
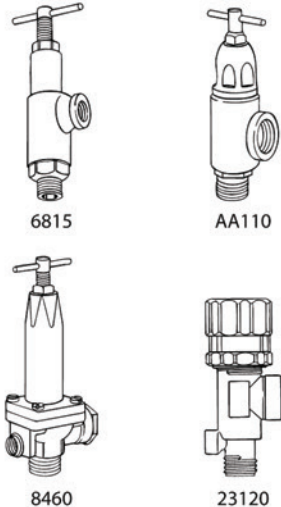
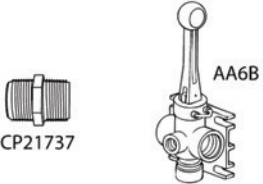
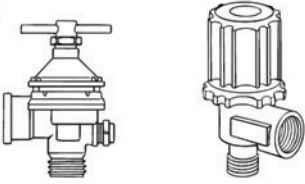
VALVES

DirectoValve® ELECTRIC MANIFOLD 3-WAY VALVES	
<p>460 3-WAY (E)</p> 	<p>(Stainless Steel Ball & Stem)</p> <p>461BEC-3E-C or D Shutoff/Bypass DirectoValve Manifold.....</p> <p>463BEC-3E-C or D Shutoff/Bypass DirectoValve Manifold.....</p> <p>465BEC-3E-C or D Shutoff/Bypass DirectoValve Manifold.....</p> <p>Manifold assemblies are available with a variety of inlets/outlets. Contact your TeeJet Dealer or sales office for more information.</p>
<p>460 3-WAY (C)</p> 	<p>(Stainless Steel Ball & Stem)</p> <p>461BEC-3C-C or D Shutoff/Bypass DirectoValve Manifold.....</p> <p>463BEC-3C-C or D Shutoff/Bypass DirectoValve Manifold.....</p> <p>465BEC-3C-C or D Shutoff/Bypass DirectoValve Manifold.....</p> <p>Manifold assemblies are available with a variety of inlets/outlets. Contact your TeeJet Dealer or sales office for more information.</p>

DirectoValve® ELECTRICALLY OPERATED VALVES—continued	
<p>DIRECTOVALVE BALL VALVES</p> 	<p>344BEC-2-C or D 3/4", 1" or Flanged 2-way Electric Shutoff Ball Valve.....</p> <p>344BEC-3-C or D 3/4", 1" or Flanged 3-way Electric Shutoff Ball Valve.....</p> <p>344BE-2-C or D 3/4", 1" or Flanged 2-way Electric Shutoff Ball Valve.....</p> <p>344BE-3-C or D 3/4", 1" or Flanged 3-way Electric Shutoff Ball Valve.....</p> <p>*356BEC-C or D or D Flanged 2-way Electric Shutoff Trinion Valve.....</p> <p>346BEC-2-C or D 1 1/4", 1 1/2" or Flanged 2-way Electric Shutoff Ball Valve.....</p> <p>346BEC-3-C or D 1 1/4", 1 1/2" or Flanged 3-way Electric Shutoff Ball Valve.....</p>
<p>PRESSURE REGULATING VALVES</p> 	<p>AA244C-3/4 3/4" Nylon Butterfly Regulating Valve.....</p> <p>344BR-2-C or D 3/4", 1" or Flanged Regulating Ball Valve.....</p> <p>344BRL-2-C or D 3/4", 1" or Flanged Linear Regulating Ball Valve.....</p> <p>344BPR-2-C or D 3/4", 1" or Flanged Regulating Ball Valve.....</p> <p>346BR-2-C or D 1 1/4", 1 1/2" or Flanged Regulating Ball Valve.....</p> <p>346BPR-2-C or D 1 1/4", 1 1/2" or Flanged Regulating Ball Valve.....</p> <p>346BPR-3-C or D 1 1/4", 1 1/2" or Flanged Regulating Ball Valve.....</p> <p>Note: Regulating valves are available in 1, 3 or 6 RPM. PR valve cycle times are double that of R and RL regulating valves.</p>

VALVES

VALVES

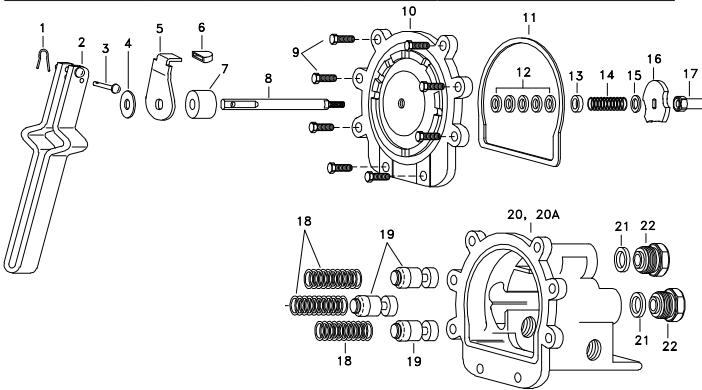
 MANUALLY OPERATED VALVES		
<p>DIRECTOVALVE BALL VALVES</p>  <p>AA343M AA344M AA346M</p>	<p>AA(B)343M-2-(3/8" or 1/2")-PP AA(B)343M-3-(3/8" or 1/2")-PP AA(B)344M-2-3/4" or 1" *AA344M-2-F AA(B)344M-3-3/4" or 1" AA(B)344M-2-(3/4" or 1")-PP AA(B)344M-3-(3/4" or 1")-PP AA(B)346M-2-(1 1/4" or 1 1/2")-PP AA(B)346M-3-(1 1/4" or 1 1/2")-PP</p>	<p>Manually Operated, 2 way, Polypropylene Manually Operated, 3 way, Polypropylene Manually Operated, 2 way, Nylon..... Manually Operated, 2 way, Nylon..... Manually Operated, 3 way, Nylon..... Manually Operated, 2 way, Polypropylene Manually Operated, 3 way, Polypropylene Manually Operated, 2 way, Polypropylene Manually Operated, 3 way, Polypropylene</p>
<p>PRESSURE RELIEF/REGULATING VALVES</p>  <p>6815 AA110 8460 23120</p>	<p>AA(B)110-(1/4" or 3/8")-* AA(B)110-1 AA(B)110-1-DI AA(B)110-1-AL AA(B)110-1-1/4 AA(B)110-(1 1/4" or 1 1/2")-DI AA(B)110-(1 1/4" or 1 1/2")-AL AA(B)110-1-1/2 6815-1/2, -3/4 6815G-1/2-300, -3/4-300 6815G-1/2-700, -3/4-700 6815-1/2-HSS, -3/4-HSS 8460-1/2, -3/4 23120-(1/2" or 3/4")-PP 23120A-(1/2" or 3/4")-PP 23120-1/2-PP-60-VI 23120-3/4-PP-60-VI</p>	<p>Brass Brass Ductile Iron..... Aluminum..... Brass Ductile Iron..... Aluminum..... Brass Brass with Guide Vane, Brass (300 PSI/20 bar) with Guide Vane, Brass (700 PSI/48 bar) Brass with Hard S.S. Valve Seats (not 1200) Nylon Polypropylene Polypropylene w/Viton and 316-SS Polypropylene w/Viton..... Polypropylene w/Viton.....</p>
<p>DIRECTOVALVE MANUALLY OPERATED CONTROL VALVE</p>  <p>CP21737 AA6B</p>	<p>AA(B)6B CP21737-NYB</p>	<p>Manually Operated Control Valve..... 3/4" Close Nipple Black Nylon.....</p>
<p>THROTTLING VALVES</p>  <p>12690 23520</p>	<p>12690-1/2-NYB, -3/4-NYB 23520-1/2-PP, -3/4-PP</p>	<p>Throttling Valve, Nylon..... Throttling Valve, Polypropylene</p>

TEEVALVES

SPRAYING SYSTEMS 8-WAY TEEVALVES

Selective on-off control of all or any of the individual sections of a three section boom. Pressures up to 300 psi.

Order No.	Inlet Connection	Boom Outlets	Accessory Outlets
SS17L	3/4"	3/4" NPT	3/4" NPT
SS17Y	1"	1"	1"



REPAIR KIT FOR TEEVALVE

Repair kit for 17 Series Valve includes cotter pin, rivet, handle washer, selector shield tip, screws, gasket, packing, seat plate. **Order No. SSAB17-KIT**

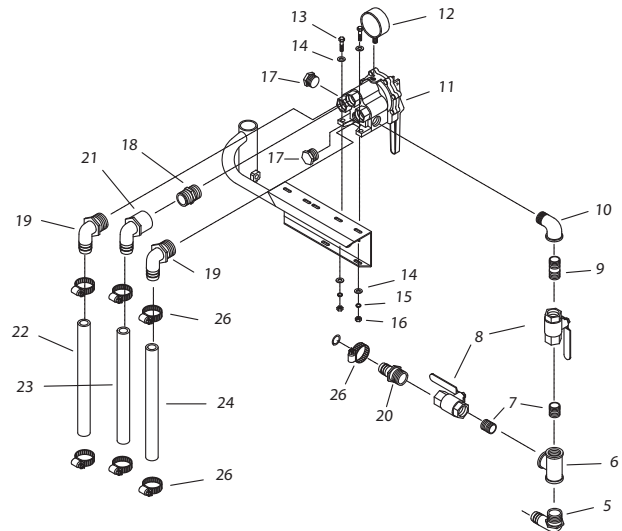
PARTS LIST FOR TEEVALVES

Ref.	Order No.	Description
1	SS8012-1/2	Cotter pin
2	SS6849-IZP	Handle
3	SS7206-ICP	Rivet
4	SS6976-IZP	Handle washer
5	SS12128-IZP	Selector shield
6	SS12127-CE	Selector shield tip
7	SS12129-CE	Spacer
8	SS6972-SS	Main stem
9	SS20607-IZP	*Screw (8 required - priced each) (was SS7980-IZP)
10	SS12126-AL	Cover plate
11	SS6975-BU	Gasket, Buna-N
12	SS5809-LEA	Packing (5 required - priced each)
13	SS12130-SS	Packing gland
14	SS7254-SS	Main spring
15	SS7987-SS	Washer
16	SS6971-AL	Selector clamp
17	SS6973-SS	Guide nut
18	SS6959-SS	Valve spring (3 required - price each)
19	SS6956-CE	Valve stem (3 required - price each)
20	SS6934-3/4AL	Body, 3/4" inlet x 3/4" side ports
21	SS6958-POL	Seat plate (3 required - priced each)
22	SS7902-AL	Outlet adapter, 3/4" female GHT (3 req'd)

VALVES

TYPICAL TEEVALVE (MANUAL CONTROL) PLUMBING ON BROYHILL'S TERRAMASTER® SPRAYER WITH LOW PROFILE BOOM

Ref.	Part No.	Qty.	Description
5	PEA34100	1	Hose insert, 3/4" NPT x 1" hose barb
6	ZZTW-34	1	Tee, 3/4"
7	ZZCN-34	2	Close nipple, 3/4" iron
8	CO70-104-01	1	Brass ball valve, 3/4"
9	ZZN-34x2	1	Nipple, 3/4" x 2"
10	ZZSE-34	1	Street elbow, 3/4"
11	SS17L	1	TeeValve, 3/4"
12	AP99019283	1	Liquid filled pressure gauge, 200 psi
13	ZZHCS-14X1	2	Hex cap screw, 1/4" x 1"
14	ZZFW-14	4	Flat washer, 1/4"
15	ZZLW-14	2	Lock washer, 1/4"
16	ZZHN-14	2	Hex nut, 1/4"
17	PEF34	2	Nylon plug, 3/4"
18	PEM34	1	Close nipple, 3/4" nylon
19	PEEL34	2	Hose insert elbow, 3/4"
20	PEA34	1	Hose insert, 3/4"
21	PEEL34F	1	Hose insert elbow, 3/4" female
22	GR-L85-3/4	1	Right feeder hose, 3/4" x 210" long
23	GR-L85-3/4	1	Center feeder hose, 3/4" x 132" long
24	GR-L85-3/4	1	Left feeder hose, 3/4" x 210" long
26	WT16H	6	Hose clamp



VALVES - PISTON TYPE RELIEF

SPRAYING SYSTEMS 6815 SERIES PISTON TYPE RELIEF VALVE

Rated for pressures up to 300 and 700 psi. Choice of 1/2" or 3/4" pipe thread connections (male NPT inlet, female NPT outlet). Brass or Hardened Stainless Steel

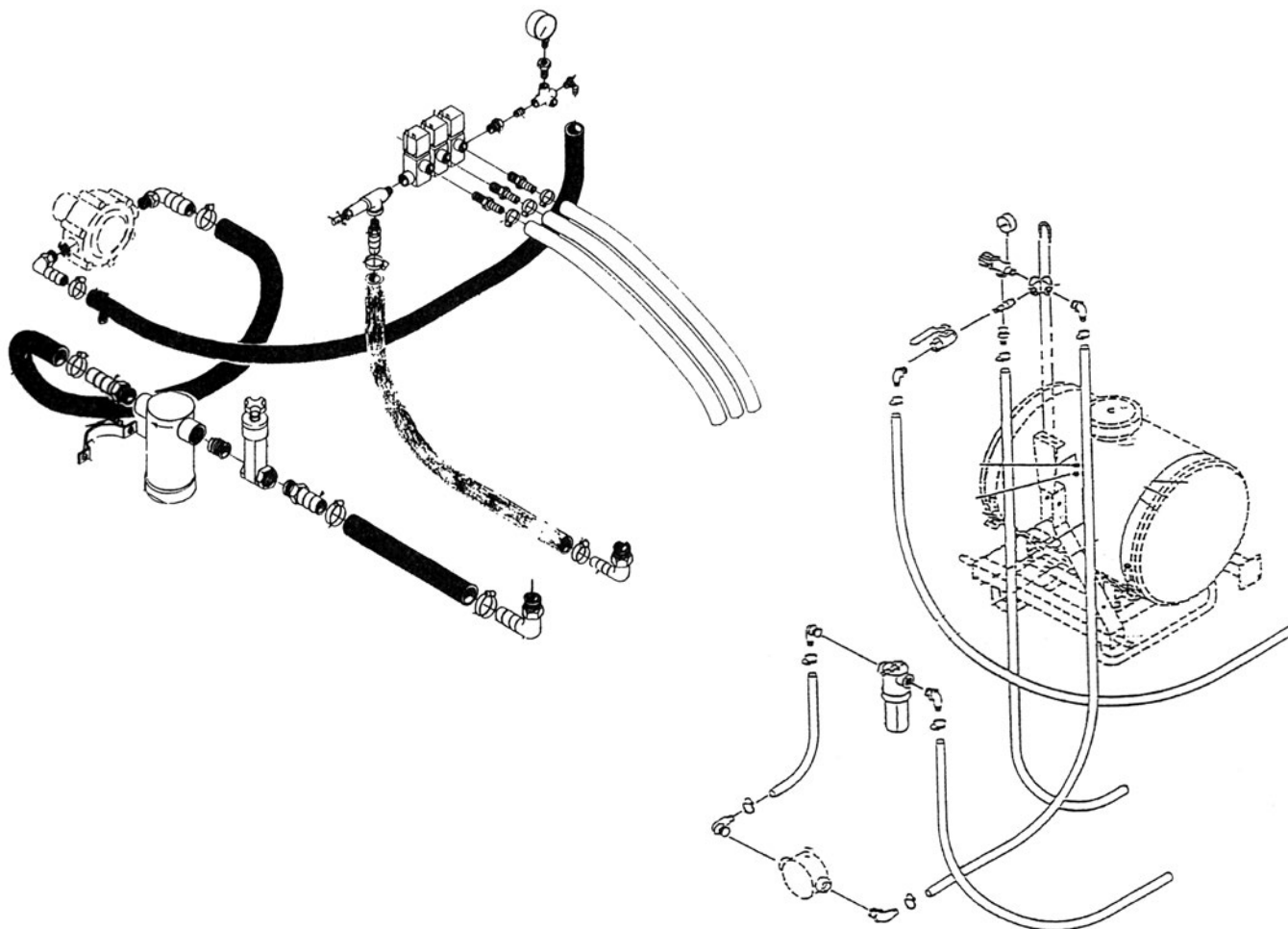
Order No.	Male Inlet	Female Outlet	Outlet Pressure	Material
SS6815-1/2-	1/2" NPT	1/2" NPT	300 PSI	Brass
SS6815-3/4-	3/4" NPT	3/4" NPT	300 PSI	Brass
SS6815-G	1/2" NPT	1/2" NPT	700 PSI	Brass
SS6815-1/2-HSS-700	1/2" NPT	1/2" NPT	700 PSI	Hard. SS

REPAIR KITS

Includes brass spring retainer, Buna-N gasket, stainless steel inside & outside springs (300 or 700 psi according to valve rating), brass guide seat.

Order No.

SSAB6815-300-KIT
 SSAB6815-700-HSS-KIT
 SSAB6815G-700-KIT



VALVES

QUARTER TURN/ FULL FLOW BALL VALVES

400 PSI Working Pressure
- Two Way flow

Order No.	Female NPT
CO70-102-01	3/8"
CO70-103-01	1/2"
CO70-104-01	3/4"
CO70-105-01	1"
CO70-106-01	1 1/4"
CO70-107-01	1 1/2"
CO70-108-01	2"



Nylon Relief Valves

Low pressure relief valve with 1/4" female NPT outlet and choice of 1/2" or 3/4" male NPT inlet. Corrosion resistant construction with stainless steel spring. Ribbed plunger seat for chatter free operation.



Order No.
HA2064-5
HA2066-5

Description
1/2" inlet x 3/4" outlet
3/4" inlet x 3/4" outlet

VALVES

ACE VALVTEC SERIES 16 BALL VALVE

Spring Loaded Ratchet Handle
400 PSI Working Pressure

Order No.	Female NPT
AC090640	1/2"
AC090660	3/4"
AC090680	1"



VALVTEC BALL VALVE REPAIR PARTS
CAN BE FOUND IN THE ACE VALVE
PARTS PRICE LIST

NYGLASS BALL VALVES

Quarter Turn - Two Way Flow

Order No.	Female NPT	PSI
MC1212NGF	1/2"	300
MC3434NGF	3/4"	300
MC1010NGF	1"	200
MC114NGF	1 1/4"	200

NYLON PLASTIC GATE VALVES

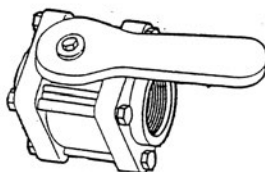
Order No.	Female NPT	PSI	Flow
BG1091	1/2"	200	One way
BGG2002	3/4"	300	Two way
BGG2003	1"	300	Two way
BGG2004	1 1/4"	300	Two way
BGG2005	1 1/2"	300	Two way



GLASS FILLED POLYPROPYLENE BALL VALVES

75 PSI Maximum Operating
Pressure

Order No.	Port Size
TEV-050	1/2"
TEV-075	3/4"
TEV-100FP	1"
TEV-125	1 1/4"
TEV-150	1 1/2"
TEV-200FP	2"



Needle Valve

1/4" brass needle valve functions as an effective gauge pulsation damper and shut-off. Valve has 1/4" female NPT outlet with one way flow.

Order Number CN108KC

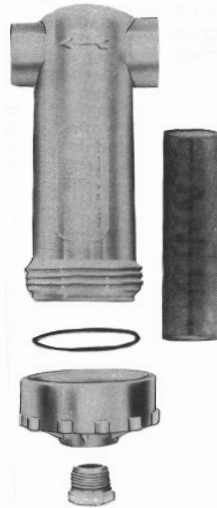
LINE STRAINERS

BRE-206 BROYHILL LINE STRAINER

Made with durable, non-corrosive poly with 1" NPT connection with 40 or 80 mesh screen. Base cap removes by hand for easy cleaning.

Complete strainer with 40 mesh screen
Order No. BRE-206-4

Complete strainer with 80 mesh screen
Order No. BRE-206-8



REPAIR PARTS FOR BRE-206 STRAINER	
Order No.	Description
AN1889	40 mesh screen
AN2661	80 mesh screen
BRE-211	Nylon housing
BRE-212	Nylon Cap
SWC557-70/2	Standard o-ring
PEF12	Bottom plug, 1/2"
PEF38	Bottom plug, 3/8"

LINE STRAINERS

TeeJet Line Strainers

The AA122 line strainer features a compact size that is well suited for small agricultural and turf sprayers. The AA122 is constructed of polypropylene head and bowl with stainless steel screen for excellent chemical resistance and is available with 1/2" or 3/4" (F) NPT pipe

connections. The maximum pressure rating is 150 PSI (10 bar). A Quick Connect version of the 122 is also available for easy installation on valves/manifolds equipped with Quick Connect outlets. The maximum pressure rating for this version is 215 PSI (15 bar).



23174 45102



AA122ML-QC
Compact Liquid Strainer



AA122-PP
Compact Liquid Strainer



37270-122-PP
Flush-Out Strainer

37270-122-PP

The screen may be periodically flushed by opening a valve (valve not included) in flush-out line.




STRAINER NUMBER	PIPE CONN.	APPROXIMATE FLOW RATE WITH 5 PSI (0.34 bar) PRESSURE DROP IN GPM (l/min)	SCREEN	
			MESH SIZE	PART NUMBER
AA122ML-QC-PP.*	QC	18 (68)		
AA(B)122-1/2-PP.*	1/2"	12 (45)	16	CP23174-1-304SS
AA(B)122-3/4-PP.*	3/4"	16 (60)	30	CP23174-2-304SS
AA(B)122ML-1/2-PP.*	1/2"	12 (45)	50	CP45102-3-SSPP
AA(B)122ML-3/4-PP.*	3/4"	16 (60)	80	CP45102-4-SSPP
(B)37270-122-1/2-PP.*	1/2"	12 (45)	100	CP45102-5-SSPP
(B)37270-122-3/4-PP.*	3/4"	16 (60)	200	CP23174-7-304SS

* = Mesh Size

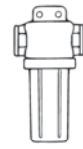
(B) = BSPT

Replacement Head Gasket: CP23173-EPR(-VI) or CP7717-M38x4-VI (for AA122ML-QC only).

LINE STRAINERS






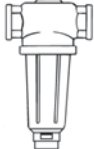

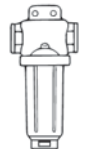
TeeJet TECHNOLOGIES LINE STRAINERS						
AA122 LINE STRAINERS						
	STRAINER NO.	PIPE CONN. NPT (F)	MATERIAL		SCREEN NO.	MESH
			HEAD	BOWL		
 AA122	AA122-1/2-PP	1/2"	Polypropylene	Polypropylene	CP23174-1-304SS	16
	AA122ML-1/2-PP 37270-122-1/2-PP				CP23174-2-304SS	30
 37270-122-PP	AA122-3/4-PP AA122ML-3/4-PP 37270-122-3/4-PP	3/4"			CP45102-3-SSPP* CP45102-4-SSPP* CP45102-5-SSPP*	50 80 100
 AA122ML						

AA124A LINE STRAINERS						
	STRAINER NO.	PIPE CONN. NPT (F)	MATERIAL		SCREEN NO.	MESH
			HEAD	BOWL		
 AA124A	AA124A-3/4-I	3/4"	Cast Iron	Nylon	CP16903-1-SSPP*	16
	AA124A-3/4-AL		Aluminum	Nylon	CP16903-3-SSPP*	30
	AA124A-1-I	1"	Cast Iron	Nylon	CP16903-4-SSPP*	50
	AA124A-1-AL		Aluminum	Nylon	CP16903-5-SSPP*	80
 AA124	AA124-1-1/4-I	1 1/4"	Cast Iron	Nylon	CP15941-1-SSPP*	16
	AA124-1-1/4-AL		Aluminum	Nylon	CP15941-2-SSPP*	30
	AA124-1-1/2-I	1 1/2"	Cast Iron	Nylon	CP15941-3-SSPP*	50
	AA124-1-1/2-AL		Aluminum	Nylon	CP15941-4-SSPP*	80
	AA124-2-I	2"	Cast Iron	Nylon	CP14634-1-SS	16
	AA124-2-AL		Aluminum	Nylon	CP14634-2-SS	30
	AA124-2-1/2-I	2 1/2"	Cast Iron	Nylon	CP14634-3-SS	50
	AA124-2-1/2-AL		Aluminum	Nylon	CP14634-4-SS	80

AA124ML LINE STRAINERS WITH MOUNTING LUGS						
	STRAINER NO.	PIPE CONN. NPT (F)	MATERIAL		SCREEN NO.	MESH
			HEAD	BOWL		
 AA124ML	AA124ML-3/4-AL	3/4"	Aluminum	Nylon	CP16903-1-SSPP* CP16903-3-SSPP* CP16903-4-SSPP* CP16903-5-SSPP*	16 30 50 80
	AA124ML-1-AL	1"				
	AA124ML-1-1/4-AL	1 1/4"				
	AA124ML-1-1/2-AL	1 1/2"				
	AA124ML-2-AL	2"				
	AA124ML-2-1/2-AL	2 1/2"				

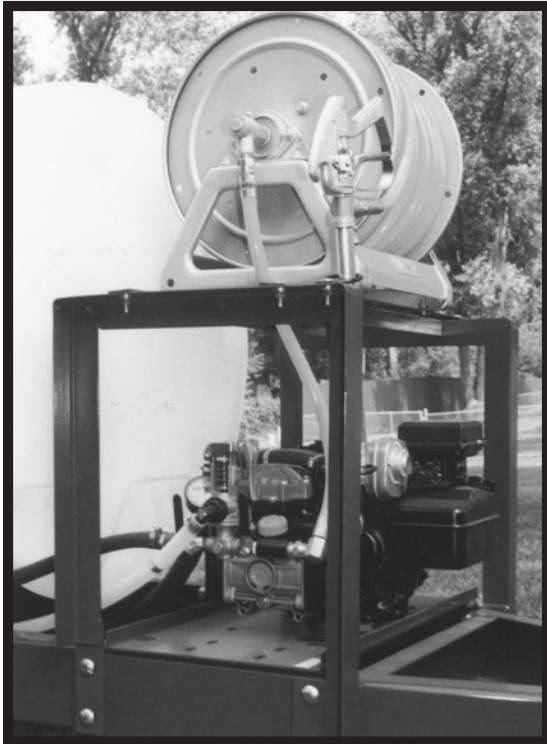
LINE STRAINERS

LINE STRAINERS

 LINE STRAINERS—continued							
AA126-PP FLUSH-OUT STRAINER							
 AA126-3 or 4	STRAINER NO.	PIPE CONN. NPT (F)	MATERIAL		SCREEN NO.	MESH	
				HEAD	BOWL		
 AA126-F50	AA126ML-F50	50 Series Flange	Polypropylene	Polypropylene	CP16903-1-SSPP*	16	
	AA126ML-3	¾" NPT			CP16903-3-SSPP*	30	
	AA126ML-4	1" NPT			CP16903-4-SSPP*	50	
 AA126-F75	AA126ML-F75	75 Series Flange	Polypropylene	Polypropylene	CP16903-5-SSPP*	80	
	AA126ML-5	1¼" NPT			CP16903-6-SSPP*	100	
 AA126-5 or 6	AA126ML-6	1½" NPT	Polypropylene	Polypropylene	CP16903-7-SSPP*	200	
					CP15941-1-SSPP*	16	
					CP15941-2-SSPP*	30	
					CP15941-3-SSPP*	50	
					CP15941-4-SSPP*	80	
					CP15941-5-SSPP*	100	
					CP15941-6-SSPP*	120	
AA124A SELF-CLEANING LINE STRAINERS							
 AA124A-SC	STRAINER NO.	PIPE CONN. NPT (F)	MATERIAL		SCREEN NO.	MESH	
				HEAD	BOWL		
	AA124A-3/4SC-AL	¾"	Aluminum	Nylon	CP12285-1-SS	16	
	AA124A-1SC-AL	1"			CP12285-4-SS	30	
					CP12285-2-SS	50	
					CP12285-3-SS	80	
					CP12285-6-SS	100	
	AA124-1-1/4SC-AL	1¼"	Aluminum	Nylon	CP12290-1-SS	16	
	AA124-1-1/2SC-AL	1½"			CP12290-2-SS	30	
					CP12290-3-SS	50	
					CP12290-4-SS	80	
					CP12290-8-SS	100	
SELF-CLEANING LINE STRAINERS WITH MOUNTING LUGS							
 AA126ML-3 or 4SC	STRAINER NO.	PIPE CONN. NPT (F)	MATERIAL		SCREEN NO.	MESH	
				HEAD	BOWL		
 AA124ML-SC	AA126MLSC-3	¾"	Polypropylene		CP12285-1-SS	16	
	AA124ML-3/4SC-AL		Aluminum	Nylon			CP12285-4-SS
	AA126MLSC-4	1"	Polypropylene		CP12285-2-SS	50	
AA124ML-1SC-AL	Aluminum		Nylon	CP12285-3-SS	80		
	AA126MLSC-F50	Flange	Polypropylene		CP12285-6-SS	100	
	AA126MLSC-5	1¼"	Polypropylene		CP12290-1-SS	16	
AA124ML-1-1/4SC-AL	Aluminum		Nylon	CP12290-2-SS			30
	AA126MLSC-6	1½"	Polypropylene		CP12290-3-SS	50	
AA124ML-1-1/2SC-AL	Aluminum		Nylon	CP12290-4-SS	80		
	AA126MLSC-F75	Flange	Polypropylene		CP12290-8-SS	100	

LINE STRAINERS

HOSE REELS



Manual and power rewind hose reels are designed for industrial applications where longer lengths of hose are required. Constructed of heavy gauge powder coated steel the direct crank action combined with twin bearings requires minimum rewind effort on the manual reels. The spring loaded locking pin prevents drum rotation when not in use.

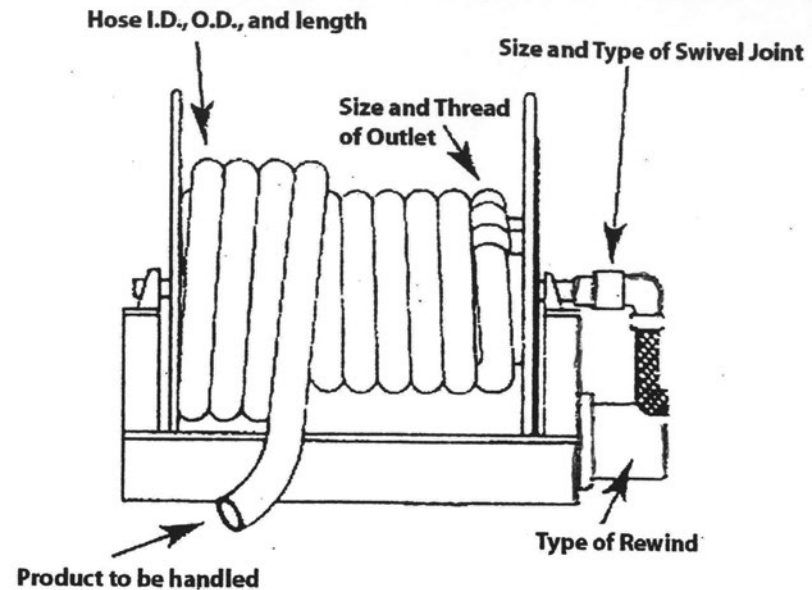
Manual Hose Reel

1/2" female IPT 90 degree swivel joint inlet, 1/2" female IPT outlet rise. Reel will hold up to 300 ft. of 3/8" ID hose or 200 ft. of 1/2" ID hose. Reel is rated to 3000 psi working pressure. Shipping wt. 43 lbs.
Order Number COX1125-4-200

Electric Hose Reel

1/2" female IPT 90 degree joint inlet, 1/2" IPT outlet rise. Reel will hold up to 300 ft. of 1/2" ID hose. Reel features 12 volt DC non explosive proof 1/3 HP rewind reversible electric motor. Reel is rated to 3000 psi working pressure. Shipping wt. 43 lbs. for reel and 31 lbs. for electric motor.

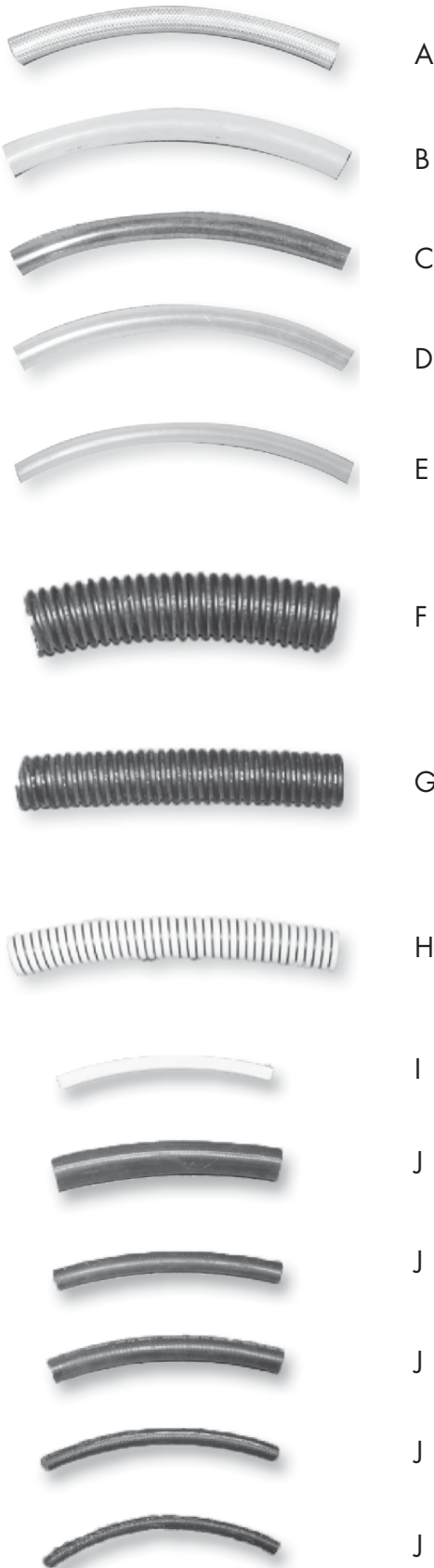
Order Number COX1125-4-325-EKXXX



Additional Hose Reel Features

- Solid frame: all steel
- Rewind manual: solid steel with a roller hand grip.
- Swivel joint: permits reel to rotate smoothly when connected to the fluid source.
- Bearing: self-align pillow block bearings support the drum assembly.
- Axle/riser assembly: provides full flow through the internal plumbing.
- Lock pin: standard on manual models only.

HOSE - QUICK COUPLERS - SWIVELS - HOSE FITTINGS HOSE CLAMPS



HOSE & FITTINGS

BRAIDED EVA HOSE				
EVA hose with nylon braid is translucent. Plastic Hose used for sight gauge, by-pass or other applications requiring no working pressure.				
Photo	Order No.	Hose ID & Braid	Working Pressure	Color
A	AP250EVA	1/4", braided	500 psi	White
B/D/E	GR-V3020-3/8	3/8" braided, NLA	500 psi	White
A	AP500EVA	1/2", braided	500 psi	White
B/D/E	GR-V3020-3/4	3/4" braided	500 psi	White
A	AP100EVA	1" braided	500 psi	White
C	AM1/2"x.125	1/2" no braid	75 psi	Clear
C	AM3/4"x.125	3/4" no braid	75 psi	Clear
C	AM1"x.125	1" no braid	125 psi	Clear

HELIX SUCTION HOSE				
Photo	Order No.	Hose ID & Braid	Working Pressure	Color
F	AP150PVC	1 1/2" fertilizer	80 psi	Yellow/Black
G	AP12012797	1 1/4" no braid	80 psi	Black/Yellow
H	AP12012962	1 1/2" no braid	80 psi	Black
F	AP12012805	2" EDPM Helix	80 psi	Black

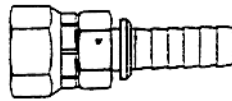
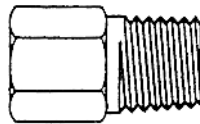
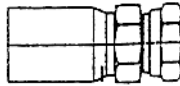
BRAIDED EVA HOSE				
EVA hose with nylon braid is translucent. Plastic Hose used for sight gauge, by-pass or other applications requiring no working pressure.				
Photo	Order No.	Hose ID & Braid	Working Pressure	Color
I	GT7580-600	1/2" no braid	600 psi	Yellow
J	GA4465-1362	3/8" no braid	800 psi	Black
J	GR-L85-3/8	3/8" 2 braid	200 psi	Black
J	AP100311730	1/2" 2 braid	200 psi	Black
J	GA3217-0055	1/2" 2 braid	800 psi	Black
J	GA4465-0380	3/4" no braid	800 psi	Black
J	GR-L85-3/4"	3/4" 2 braid	250 psi	Black
J	GR-L85-1"	1" 4 braid	250 psi	Black
J	GA3206-0215	1 1/4" 2 braid	200 psi	Clear

HOSE - QUICK COUPLERS - SWIVELS - HOSE FITTINGS HOSE CLAMPS, cont.

HIGH PRESSURE QUICK COUPLER

1000 psi brass coupler for spray gun hose or other applications requiring a quick connection coupling. Coupler swivels when joined.

Order No.	Size
SUBST-2	1/4" female half FNPT
SUBST-N2M	1/4" male half NPT
SUBST-3	3/8" female half FNPT
SUBST-N3M	3/8" male half NPT
SUBST-4	1/2" female half FNPT
SUBST-N4M	1/2" male half NPT
SUBST-6	3/4" female half FNPT
SUBST-N6M	3/4" male half NPT
SUBST-8	1" female half FNPT
SUBST-N8M	1" male half NPT



FITTINGS FOR THERMO-AG HOSE

Order No.	Description
GA7308-29245	3/8" swivel male NPT x 3/8" hose barb
GA7307-29145	1/2" swivel male NPT x 1/2" hose barb
GA7307-29165	1/2" female NPT x 3/8" hose barb
GA7302-39145	1/2" swivel male NPT x 1/2" hose barb
GA7302-35145	1/2" female NPT x 1/2" hose barb

FITTINGS FOR RUBBER HOSE

Order No.	Description
GA7302-09145	1/4" swivel male NPT x 1/4" hose barb
GA7308-29245	3/8" swivel male NPT x 3/8" hose barb
GA7307-29165	1/2" swivel male NPT x 3/8" hose barb
GA7302-39145	1/2" swivel male NPT x 1/2" hose barb
GA7302-35145	1/2" female NPT x 1/2" hose barb
GA7302-59145	3/4" swivel male NPT x 3/4" hose barb

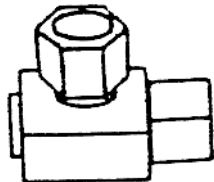
90° SWIVEL JOINT

High pressure (3000 psi) swivel joint for hose reel and other applications. 1/2" female pipe thread (side connection) x 1/2" female pipe thread (body connection). Body connection is thread sealed and designed to continue to swivel after connection is tightened.

Order No. IM59UE-08X08

Replacement seal kit for 90° swivel includes 2 quad rings, 2 teflon back up washers and 2 dust seals.

Order No. IM59SK-08



HOSE CLAMPS

Order No.	Nominal Size	Fits Hose Dia.
WTM5	1/4" to 3/16"	5/8" to 1/4"
WT6H	1/4" to 3/8"	25/32" to 7/16"
WTM7	3/8" to 3/4"	7/16" to 25/32"
WT10H	1/2"	1 1/16" to 9/16"
WT12H	5/8" to 3/4"	1 1/4" to 1 3/16"
WT16H	1"	1 1/2" to 1 3/16"
WT20H	1 1/4"	1 3/4" to 1 3/16"
WT32H	1 1/4" to 2"	2 1/2" to 1 9/16"

NYLON FITTINGS



NYLON HEX HOSE INSERTS

Male Tapered Pipe Thread x Hose Barb

Order No.	Male NPT	Hose Barb
PEA1814	1/8"	1/4"
PEA14	1/4"	1/4"
PEA3814	3/8"	1/4"
PEA1214	1/2"	1/4"
PEA3414	3/4"	1/4"
PEA1838	1/8"	3/8"
PEA1438	1/4"	3/8"
PEA38	3/8"	3/8"
PEA1238	1/2"	3/8"
PEA3438	3/4"	3/8"
PEA1412	1/4"	1/2"
PEA3812	3/8"	1/2"
PEA12	1/2"	1/2"
PEA3412	3/4"	1/2"
PEA3858	3/8"	5/8"
PEA1258	1/2"	5/8"
PEA3458	3/4"	5/8"
PEA1234	1/2"	3/4"
PEA34	3/4"	3/4"
PEA34100	3/4"	1"
PEA100	1"	1"
PEA114100	1 1/4"	1"
PEA100114	1"	1 1/4"
PEA11434	1 1/4"	3/4"
PEA114	1 1/4"	1 1/4"
PEA114112	1 1/4"	1 1/2"
PEA112114	1 1/2"	1 1/4"
PEA112	1 1/2"	1 1/2"
PEA200	2"	2"

NYLON HEX HOSE ELBOWS

Male Tapered Pipe Thread(NPT) x Hose Barb

Order No.	Male NPT	Hose Barb
PEEL3814	3/8"	1/4"
PEEL1438	1/4"	3/8"
PEEL38	3/8"	3/8"
PEEL1238	1/2"	3/8"
PEEL3438	3/4"	3/8"
PEEL1412	1/4"	1/2"
PEEL3812	3/8"	1/2"
PEEL12	1/2"	1/2"
PEEL3412	3/4"	1/2"
PEEL3412F*	*3/4"	1/2"
PEEL10012	1"	1/2"
PEEL1458	1/4"	5/8"
PEEL1258	1/2"	5/8"
PEEL3458	3/4"	5/8"
PEEL1234	1/2"	3/4"
PEEL34	3/4"	3/4"
PEEL34F*	*3/4"	3/4"
PEEL10034	1"	3/4"
PEEL34100	3/4"	1"
PEEL100	1"	1"
PEEL114100	1 1/4"	1"
PEEL114	1 1/4"	1 1/4"
PEEL112	1 1/2"	1 1/2"
PEEL200	2"	2"

*FEMALE NPT

NYLON HOSE MENDERS

Order No. Hose Barb

PESHM3814	3/8"X1/4"
PESHM1214	1/2"X1/4"
PESHM38	3/8"X3/8"
PESHM12	1/2"X1/2"
PESHM1258	1/2"X5/8"
PESHM58	5/8"X5/8"
PESHM34	3/4"X3/4"
PESHM100	1"X1"
PESHM114	1 1/4"X1 1/4"
PESHM112	1 1/2"X1 1/2"



NYLON PLUGS

Order No.	Hose Barb
PEF18	1/8"
PEF14	1/4"
PEF38	3/8"
PEF12	1/2"
PEF34	3/4"
PEF100	1"
PEF114	1 1/4"
PEF112	1 1/2"

90° STREET ELBOW

Order No. Size

PESE14	1/4"
PESE12	1/2"
PESE34	3/4"
PESE100	1"
PESE114	1 1/4"
PESE112	1 1/2"
PESE200	2"



STRAIGHT TEE

Order No. NPT

PETT14	1/4"
PETT12	1/2"
PETT34	3/4"
PETT100	1"
PETT114	1 1/4"
PETT112	1 1/2"
PETT200	2"

HOSE BARB FOR GARDEN HOSE THREAD SWIVEL NUTS

Order No. Hose Barb

PEC14	1/4"
PEC38	3/8"
PEC12	1/2"
PEC58	5/8"

HOSE & FITTINGS



NYLON FITTINGS, cont.



NYLON 90° HOSE BARB ELBOW

Order No.	NPT/HB
PEEL38HB	3/8"X3/8"
PEEL34HB	3/4"X3/4"
PEEL100HB	1"X1"
PEEL200HB	2"X2"

NYLON 90° ELBOW

PELL12	1/2"
PELL34	3/4"
PELL100	1"

NYLON CLOSE NIPS

Order No.	External NPT	Internal NPT
PERB3814	3/8"	1/4"
PERB1214	1/2"	1/4"
PERB1238	1/2"	3/8"
PERB3414	3/4"	1/4"
PERB3412	3/4"	1/2"
PERB10012	1"	1/2"
PERB10034	1"	3/4"
PERB11434	1 1/4"	3/4"
PERB114100	1 1/4"	1"
PERB112114	1 1/2"	1 1/4"
PERB200100	2"	1"
PERB300200	3"	2"

NYLON CLOSE NIPS

Order No.	NPT
PEM14	1/4"
PEM38	3/8"
PEM12	1/2"
PEM34	3/4"
PEM100	1"
PEM114	1 1/4"
PEM112	1 1/2"
PEM200	2"

NYLON HOSE BARB TEE

Order No.	Hose Barb
PET14	1/4"x1/4"x1/4"
PET38	3/8"x3/8"x3/8"
PET12	1/2"x1/2"x1/2"
PET58	5/8"x5/8"x5/8"
PET34	3/4"x3/4"x3/4"
PET100	1"x1"x1"
PET114	1 1/4"x1 1/4"x1 1/4"

IRON FITTINGS



REDUCING TEE

Order No.	Size
ZZRTW-12-12-34	1/2"x1/2"x3/4"
ZZRTW-12-38-12	1/2"x3/8"x1/2"
ZZRTW-34-34-38	3/4"x3/4"x3/8"
ZZRTW-34-12-12	3/4"x1/2"x1/2"
ZZRTW-12-12-38	1/2"x1/2"x3/8"
ZZRTW-12-38-38	1/2"x3/8"x3/8"
ZZRTW-34-34-12	3/4"x3/4"x1/2"
ZZRTW-10-10-34	1"x1"x3/4"
ZZRTW-38-38-12	3/8"x3/8"x1/2"
ZZRTW-34-12-34	3/4"x1/2"x3/4"
ZZRTW-34-34-10	3/4"x3/4"x1"

45° STREET ELBOWS

Order No.	Size
ZZSE-45-14	1/4"
ZZSE-45-38	3/8"
ZZSE-45-12	1/2"
ZZSE-45-34	3/4"
ZZSE-45-10	1"
ZZSE-45-114	1 1/4"
ZZSE-45-112	1 1/2"
ZZSE-45-20	2"

90° STREET ELBOWS

Order No.	Size
ZZSE-18	1/8"
ZZSE-14	1/4"
ZZSE-38	3/8"
ZZSE-12	1/2"
ZZSE-34	3/4"
ZZSE-10	1"
ZZSE-114	1 1/4"
ZZSE-112	1 1/2"
ZZSE-20	2"

SIDE OUTLET TEE

Order No.	Size
ZZSTW-12	1/2"
ZZSTW-34	3/4"

STRAIGHT TEE

Order No.	Size
ZZTW-18	1/8"
ZZTW-14	1/4"
ZZTW-38	3/8"
ZZTW-12	1/2"
ZZTW-34	3/4"
ZZTW-10	1"
ZZTW-114	1 1/4"
ZZTW-112	1 1/2"
ZZTW-20	2"

IRON FITTINGS, cont.



CLOSE NIPS	
Order No.	NPT
ZZCN-18	1/8"
ZZCN-14	1/4"
ZZCN-38	3/8"
ZZCN-12	1/2"
ZZCN-34	3/4"
ZZCN-10	1"
ZZCN-114	1 1/4"
ZZCN-112	1 1/2"
ZZCN-20	2"



CROSSES	
Order No.	NPT
ZZCR-18	1/8"
ZZCR-14	1/4"
ZZCR-38	3/8"
ZZCR-12	1/2"
ZZCR-34	3/4"
ZZCR-10	1"
ZZCR-114	1 1/4"
ZZCR-112	1 1/2"
ZZCR-20	2"



COUPLINGS	
Order No.	NPT
ZZCU-18	1/8"
ZZCU-14	1/4"
ZZCU-38	3/8"
ZZCU-12	1/2"
ZZCU-34	3/4"
ZZCU-10	1"
ZZCU-114	1 1/4"
ZZCU-112	1 1/2"
ZZCU-20	2"



REDUCING BUSHINGS	
Order No.	NPT
ZZRB-10-12	1"x1/2"
ZZRB-10-14	1"x1/4"
ZZRB-10-34	1"x3/4"
ZZRB-10-38	1"x3/8"
ZZRB-112-10	1 1/2"x1"
ZZRB-112-114	1 1/2"x1 1/4"
ZZRB-112-12	1 1/2"x1 1/2"
ZZRB-112-34	1 1/2"x3/4"
ZZRB-114-10	1 1/4"x1"
ZZRB-114-12	1 1/4"x1/2"
ZZRB-114-34	1 1/4"x3/4"
ZZRB-12-14	1/2"x1/4"
ZZRB-12-38	1/2"x3/8"
ZZRB-20-10	2"x1"
ZZRB-20-112	2"x1 1/2"
ZZRB-20-114	2"x1 1/4"
ZZRB-212-20	2 1/2"x2"
ZZRB-34-12	3/4"x1/2"
ZZRB-34-14	3/4"x1/4"
ZZRB-34-38	3/4"x3/8"



90° ELBOWS - IRON	
Order No.	NPT
ZZEL-18	1/8"
ZZEL-14	1/4"
ZZEL-38	3/8"
ZZEL-12	1/2"
ZZEL-34	3/4"
ZZEL-10	1"
ZZEL-114	1 1/4"
ZZEL-112	1 1/2"
ZZEL-20	2"



REDUCING ELBOWS		
Order No.	Large NPT	Small NPT
ZZRE-34-12	3/4"x1/2"	1/2"
ZZRE-10-34	1"x3/4"	3/4"
ZZRE-114-10	1 1/4"x1"	1"
ZZRE-112-10	1 1/2"x1"	1"

GAUGES AND ACCESSORIES



Liquid

DRY & LIQUID FILLED GAUGES			
Order No.	Type	Size	PSI Range
VAL-2141GXB100	Liquid	2 1/2" face and 1/4" bottom thread	0-100
AP99019268	Dry	2 1/2" face and 1/4" bottom thread	0-100
VAL-2141GXB200	Liquid	2 1/2" face and 1/4" bottom thread	0-200
AP99019015	Dry	2 1/2" face and 1/4" bottom thread	0-200
PEGG-300	Liquid	2 1/2" face and 1/4" bottom thread	0-300
PESG-400	Dry	2 1/2" face and 1/4" bottom thread	0-400
PEGG-600	Liquid	2 1/2" face and 1/4" bottom thread	0-600
PESG-600	Dry	2 1/2" face and 1/4" bottom thread	0-600
PEGG-1000	Liquid	2 1/2" face and 1/4" bottom thread	0-1000



Dry



Needle Valve

1/4" brass needle valve functions as an effective gauge pulsation damper and shut-off. Valve has 1/4" female NPT outlet with one way flow. **Order Number CN108KC**

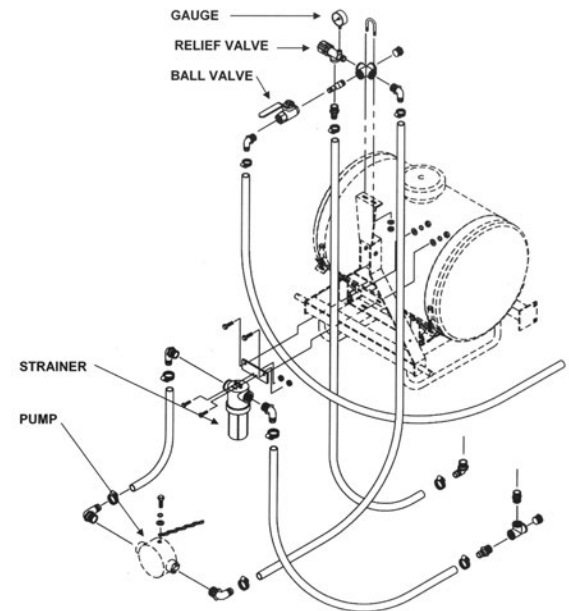
Gauge Isolator Kit

Spraying Systems isolator kit includes installation instructions, connectors, tubing insert, 8 ft. of nylon tubing, poly fill bottle, 1/4" isolator and reducer.

Order Number SS23800A-1/4



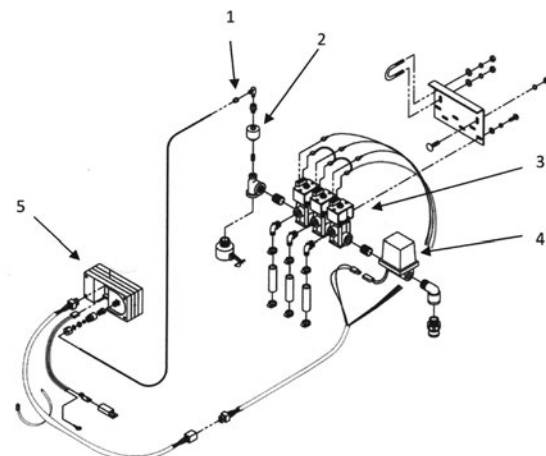
TYPICAL ROLLER PUMP PLUMBING SET UP



Gauge Isolator, Solenoids and 744 Control Box Set-Up.

Gauge isolators are designed to protect pressure gauges from chemicals as well as to keep chemicals out of the tractor cab away from the operator. The following components are the typical set up when using the TeeJet 744 control box, SSAA144A-3 solenoid valves and gauge isolator.

Ref.	Order No.	Quan.	Description
1	FPPMCD21-04	1	Coupling Insert elbow with check valve
	FPPMCD10-04	1	Coupling body with check valve, 1/4" male MPT
2	SS22470-1/4	1	1/4" female NPT gauge isolator
3	SSAA144A-3	1	12 volt solenoid valves
4	SS244	1	Electric regulating valve, 3/4"
5	SUNB4-035	15 ft.	1/4" OD nylon tubing
6	22CN-12	1	1/4" Steel Close Nip



SPRAY GUNS

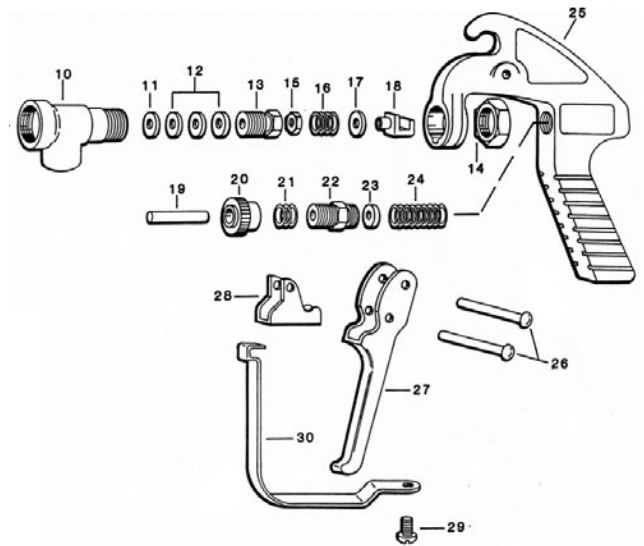


WALKING BOOM SPRAY GUN AND SPRAY GUN PARTS

Spray gun with 1/2" NPT, 200 psi rating, brass gun material. Used on Broyhill's walking boom.
Order Number SS43LC1/2

PARTS LIST 43 SERIES SPRAY GUN-43LC1/2

Ref.	Qty.	Order No.	Description
10	1	SS6492	Inlet body, brass
11	1	SS6601-302SS	Packing washer, st. steel
12	3	SS6602-LEA	Packing leather, standard
13	1	SS19237	Packing screw, brass
14	1	SS6599	Lock nut, brass
15	1	SS9641-INP	Stem nut
16	1	SS6595-SS	Trigger stop spring, st. steel
17	1	SS7991-IZP	Washer, steel/cadmium plated
18	1	SS6597-INP	Trigger guide
19	1	SS6591-SS	Spring stud, st. steel
20	1	SS6589-IZP	Stop adjusting nut
21	1	SS6594-SS	Spring for stop adjusting nut
22	1	SS6588-IZP	Spring screw, steel/cadmium
23	1	SS6592-302SS	Spring guide washer
24	1	SS6593-1-SS	Main spring, st. steel, (43L)
25	1	SS14477-1-AL	Handle body, alum
26	2	SS7623-IZP	Rivit
27	1	SS6509-INP	Trigger
28	1	SS6510-INP	Trigger stop
29	1	SS11757-SS	Screw
30	1	SS13798-INP	Trigger guard



REPAIR KIT FOR 43LC1/2 SPRAY GUN

Includes gasket, seat plug, packing washer, packing leather.
Order Number SSAB43-KIT(PK)

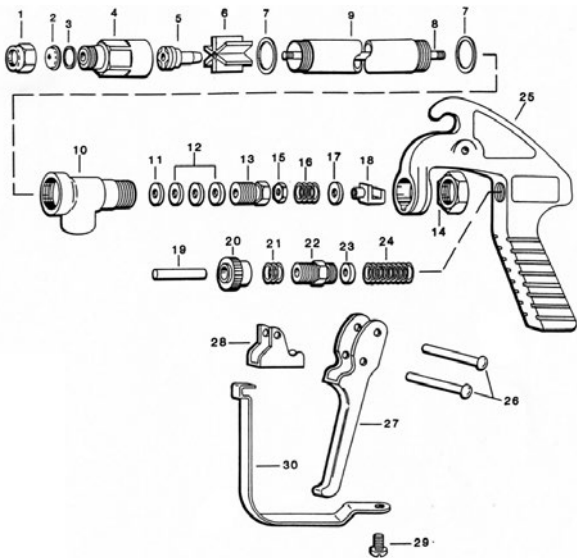
43 SERIES SPRAY GUNS & PARTS LIST

THIS GUN IS USED IN BROYHILL'S ITEM 2072 SPRAY GUN KITS

Order No.	Outlet	PSI	Gun Mat'l	Length
SS43L	D tip	200	Brass	22"
SS43L-AL	D tip	200	Alum.	22"
SS43H	D tip	800	Brass	22"
SS43H-AL	D tip	800	Alum.	22"
SS43LC1/2	1/2" NPT	200	Brass	8"
SS43LC-1/2-AL	1/2" NPT	200	Alum.	8"
SS43HC-3/4	3/4" NPT	800	Brass	8"

REPAIR KITS FOR 43 SERIES GUNS

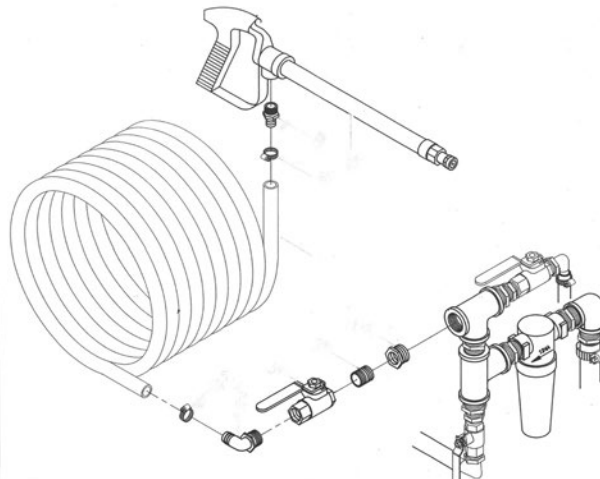
Order No. SSAB43-KIT(PK) for brass 43 series gun
 Order No. SSAB43-AL-KIT(PK) for alum. 43 series gun
 Please refer to TeeJet Catalog for more 43 Series guns



PARTS LIST 43 SERIES SPRAY GUN - 43L, 43H, 43LA & 43HA

Ref.	Quan.	Order No.	Description
1	1	SS1325	Cap, brass
	1	SS1325-AL	Cap, alum.
2	1	SSD6-HSS	#6 orifice disc, hardened st. steel
3	1	SS4743-NY	Gasket, Nylon
4	1	SS10566	Nozzle housing, brass
	1	SS10566-AL	Nozzle housing, alum.
5	1	SS10565-AL	Alum. seat plug, seat plate, washer & core sub-asm.
6	1	SS10571-2-NYB	Guide vane, nylon
7	2	SS6943-AL	Gasket, alum, (2 required)
8	1	SS19238-416	SS: Stem for 43H & 43L, st. steel
9	1	SS6604	43L & 43H tubing, brass
	1	SS6604-AL	43L & 43H tubing, alum.
10	1	SS6492	Inlet body, brass
	1	SS6492-AL	Inlet body, alum.
11	1	SS6601-302SS	Packing washer, st. steel
12	3	SS6602-LEA	Packing leather, standard
	3	SS6602-TEF	Packing teflon, optional
13	1	SS19237	Packing screw, brass
	1	SS19237-AL	Packing screw, alum.
14	1	SS6599	Lock nut, brass
	1	SS6599-SS	Lock nut, steel stainless
15	1	SS9641-INP	Stem nut
16	1	SS6595-SS	Trigger stop spring, st. steel
17	1	SS7991-I-ZP	Washer, steel/cadmium plated
18	1	SS6597-INP	Trigger guide
19	1	SS6591-SS	Spring stud, st. steel
20	1	SS6589-I-ZP	Stop adjusting nut
21	1	SS6594-SS	Spring for stop adjusting nut
22	1	SS6588-I-ZP	Spring screw, steel/cadmium
23	1	SS6592-302SS	Spring guide washer
24	1	SS6593-1-SS	Main spring, st. steel, (43L)
	1	SS6593-2-SS	Main spring, st. steel, (43H)
25	1	SS14477-1-AL	Handle body, alum
26	2	SS7623-I-ZP	Rivit
27	1	SS6509-INP	Trigger
28	1	SS6510-INP	Trigger stop
29	1	SS11757-SS	Screw SS
30	1	SS13798-INP	Trigger guard

TYPICAL SPRAY GUN WITH HOSE AND PLUMBING SET-UP

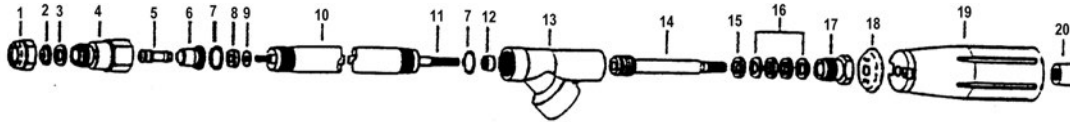


SPRAY GUN FOR BROYHILL'S LAWNMATE SPRAYER

Complete 18 Series gun with 1/4" female NPT inlet, 14" total gun length and D6 orifice disc at end of gun. Gun is available in brass or aluminum.

Order No. **SSAA18-AL6, alum. gun**

Order No. **SSAA18-6, brass gun**



Ref.	Order No.	Quan.	Description
1	SS1325-AL	1	Alum. cap
3	SS5871-BU	1	Tip gasket, Buna-N
4	SS5869-AL	1	Spray housing, alum
5	SS10516-AL	1	Core, rivit & core body sub-assembly, alum.
6	SS5872-AL	1	Guide sleeve, alum.
7	SS4143-CU	2	Gasket, copper
8	SS5798-NY	1	Seat plate, nylon
9	SS7709-SS	1	#10 washer, st. steel
10	SS5878-AL	1	Alum. tubing
11	SS5879-AL	1	Stem, alum.

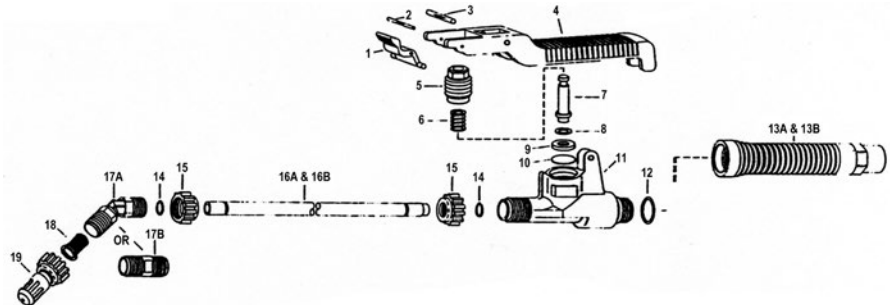
Ref.	Order No.	Quan.	Description
12	SS6618-AL	1	Nut, alum.
13	SS6898-AL	1	Inlet body, alum.
14	SS5882-NP	1	Hand grip stud
15	SS5883-AL	1	Packing washer, alum.
16	SS5809-LEA	4	Packing washer, leather
17	SS5811-AL	1	Packing screw, alum
18	SS5884-INP	1	Hand grip collar
19	SS5994-NY	1	Plastic hand grip, nylon
20	SS5813-AL	1	Hand grip nut, alum.
			SSAB18-AL-KIT
			Repair kit includes ref. no. 3, 5, 8, 9



TRIGGERJET SPRAY GUN WITH EXTENSION

TriggerJet gun with 15" extension and SS5500-PPB-X8 adjustable conejet tip.

Order **SS22670-PP-15-VI**



Ref.	Order No.	Description
1	SS22656	Trigger Lock
2	SS22671-IZP	Groove pin, zinc plated
3	SS22672-IZP	Groove pin, zinc plated
4	SS22655-PP	Trigger, polypro
5.	SS22658-PP	Spring retainer, polypro
6	SS22660-302SS	Spring
7	SS22657-NY	Stem, nylon
8	SS22676-NEO	Gasket, neoprene
9	SS22659-PP	Washer, polypro
10	SS22661-VI	Diaphragm, viton
11	SS22651-PP	Body, polypro
12	SS7717-2/216VI	O-ring, viton
13A	SS22654-PP	Handle with 1/4" female NPT connection

Ref.	Order No.	Description
14	SS7717-2/110-VI	O-ring, 2 required
15	SS22668-PP	Cap, 2 required
16	SS22663-15-FRP	15" extension tube
17A	SS22673-PP	45 degree adapter
17B	SS22664-PP	Strainer adapter
17	SS8079-PP50	50 mesh strainer
18	SS5500-PPB-X8	Adjustable conejet tip
		SSAB22670-PP-KIT
		Repair kit includes ref. no. 6, 8, 10, 12, 14

SPRAY GUNS FOR BROYHILL'S 50/60 GALLON UTILITY AND 80-110-160 GALLON STADIUM SPRAYERS

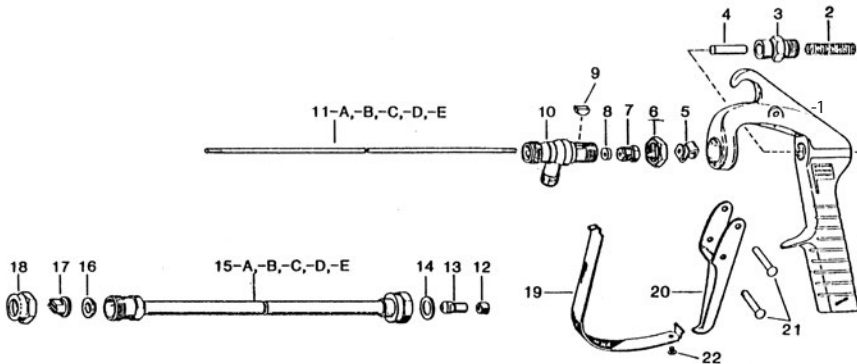
Brass trigger gun with 18" extension and X8 adjustable conejet tip. Used on Broyhill's Stadium sprayers with roller pumps and engine.

Order Number SSAA23L-7676-18

Ref. Qty.	Order No.	Description
1	SS16054-1-AL	Body
2	SS16053-1-302SS	Main Spring, SS23L
3	SS7480-IZP	Spring screw
4	SS7491-SS	Spring stud
5	SS8591-IZP	Trigger guide
6	SS7486-SS	Lock nut
7	SS16071-SS	Packing screw
8	SS14255-1-BU	Cup packing
9	SS7892-IZP	Key
10	SS16074-SS	Inlet body
11	SS7677-18-SS	Stem, st. steel, for 18" exten.
12	SS7679-1-SS	Stem guide nut

Ref. Qty.	Order No.	Description
13	SS7678	Stem end
14	SS4743-TEF	Teflon gasket
15	SS7715-18	Extension assembly
16	SS23437-PP	Valve seat
18	SS5500-PPB-X8	Adjustable conejet, size X8, poly
19	SS9539-INP	Trigger guard
20	SS14252-INP	Trigger
21	SS8038-SS	Rivet
22	SS9697-INP	Pan head screw

How to install
7490-Valve Seat



23 SERIES SPRAY GUNS & PARTS LIST

23 SERIES - COMPLETE SPRAY GUNS

Order No.	PSI	Extension	Gun Length
SS23L	0-125	None	6 1/2"
SS23H	125-1000	None	6 1/2"
SS23L-7676-8	0-125	14" long	22"
SS23L-7676-18	0-125	18" long	24"
SS23H-12085-18	125-1000	18" long	24"
SS23L-7676-24	0-125	24" long	30"
SS23L-7676-36	0-125	36" long	42"
SS23H-12085-36	125-1000	36" long	42"

REPAIR KITS:

SSAB23L-KIT(PK) low pressure gun repair kit

SSAB23H-KIT(PK) high pressure gun repair kit

Note: Extensions have shut-off at orifice tip, Includes cap, less tip. 23 Series Spray Guns have optional curved extension assemblies available - refer to Spraying Systems TeeJet Catalog for more information and pricing.

