

Remote Power Feed-Through Panels

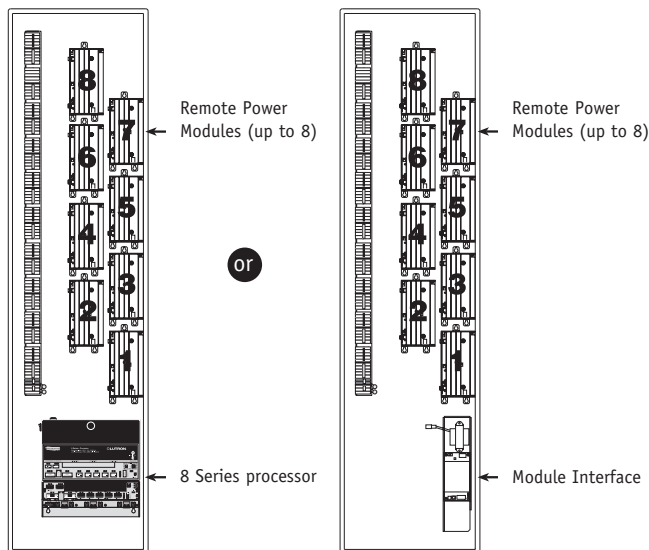
8 Series
Panels & Enclosures
N/A
N/A

Remote power feed-through panels are available in two different sizes, each of which may be either surface-mounted or recess-mounted, in an electrical closet or other equipment room. The number of remote power panels—and the types of components within them—may be specified to fit the size, lighting plan, and design of a home. Remote power panels may be distributed throughout the home for added flexibility during installation of the line-voltage wiring.

Remote power feed-through panels may contain HomeWorks® remote power modules and 8 Series processors or module interfaces. A few of the possible configurations are shown below.

EIGHT-MODULE **REMOTE POWER FEED-THROUGH PANEL** **(MODEL # HWI-PNL-8)**

Accommodates one of the following combinations of components:

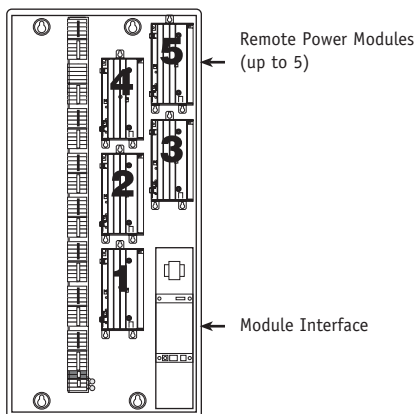


- 1 8 Series processor
- Up to 8 remote power modules¹
- 1 module interface
- Up to 8 remote power modules¹

¹ One HW-HIFC-10-2 filter choke may be installed in place of module 8, see pg. 118.

FIVE-MODULE **REMOTE POWER FEED-THROUGH PANEL** **(MODEL # HWI-PNL-5)**

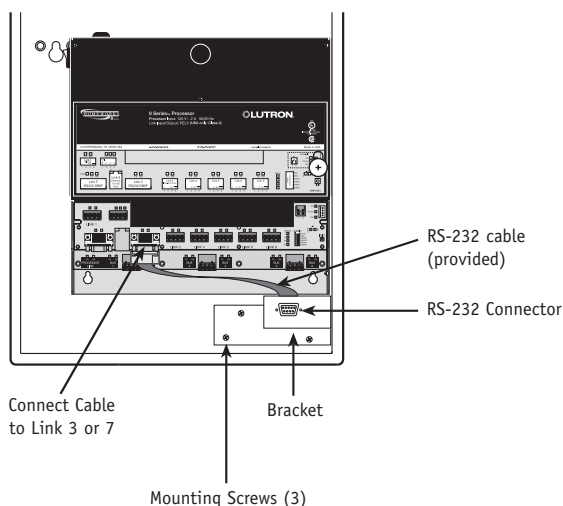
Accommodates the following combination of components:



- 1 module interface
- Up to 5 remote power modules

Note: HWI-PNL-5 cannot house a HomeWorks Processor

KIT FOR PERMANENT RS-232 CONNECTION **IN HWI-PNL-8** **(MODEL # HWI-KIT-RS232)**

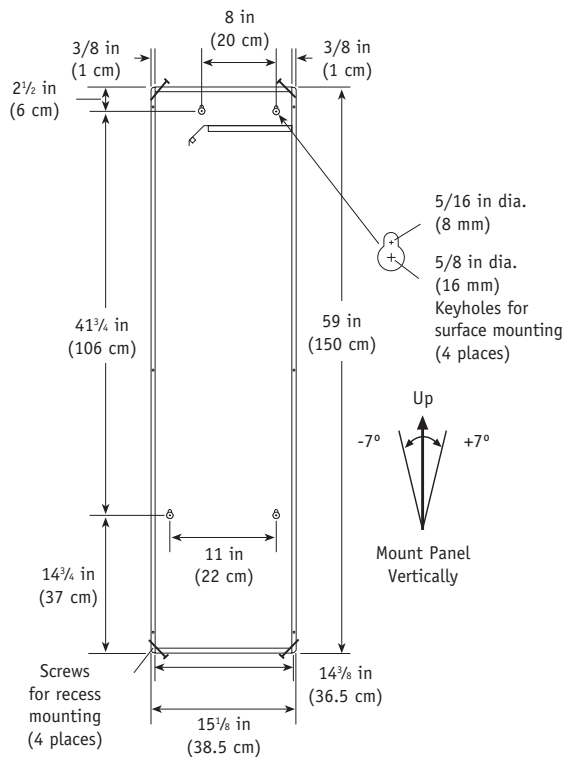


Note: HWI-KIT-RS232 can be installed in HWI-PNL-8, allowing for a connection to RS-232 port without removing the panel cover.

Remote Power Feed-Through Panels (cont.)

Model Number	HWI-PNL-8: Eight-Module Remote Power Feed-Through Panel.
Capacity	Eight RPMs (HW-RPM-4A, HW-RPM-4U, HW-RPM-4FSQ, HW-RPM-4M, and HW-RPM-4R) in any combination and one module interface or 8 Series processor. <i>See Fig. 3, pg. 151.</i>
Regulatory Approvals	UL, CSA, NOM
Environment	Ambient operating temperature: 0 °C to 40 °C, 32 °F to 104 °F Ambient operating humidity: 0-90% humidity, non-condensing. Indoor use only.
Cooling	Passive cooling. Mount in a place where the vented cover will not be blocked.
Heat Generated Fully Loaded	750 BTUs per hr. maximum.
Line-Voltage Connections	Use copper wire only, supply conductors 60/75 °C. DIN rail-mounted terminal blocks provided for line-voltage remote power module wiring and processor/MI power. Terminal blocks should be tightened to 3.5-5.0 in.-lbs. (0.40-0.57 N•m). <i>See Fig. 2, pg. 151.</i>
DIN Rail Terminal Blocks	Terminal blocks will accept one #18-10 AWG (1.0-2.5 mm ²) wire or two #18-16 AWG (1.0-1.5 mm ²) wires. Terminal blocks should be tightened to 3.5-5.0 in.-lbs. (0.40-0.57 N•m). All terminal blocks are shipped with bypass jumpers installed. After verifying that each circuit is wired correctly, remove the bypass jumpers for system operation.
Ground Bar Terminals	24 ground termination points.
Miswire Protection	All terminal blocks are shipped with bypass jumpers installed.
Mounting	May be surface-mounted or flush-mounted. Panel fits between standard 16 in (406 mm) on-center stud framing. When flush mounting in a 2x4 stud bay, to accommodate the depth of the panel – 4 ¹ / ₈ in (10.5 cm) – the sheetrock must be built out or a frame must be constructed. Panel must be mounted vertically (+/- 7 degrees from vertical). Allow at least 12 in (30 cm) air space at top and bottom and a minimum of 12 in (30 cm) clearance in front of panel, or allow air space as required by local codes (whichever is greater). Remote power panels will hum slightly and internal relays will click while in use. Mount where such noise is acceptable. Mount the panel so that line-voltage wiring will be at least 6 feet (1.8 m) from audio or electronic equipment and its wiring.
Dimensions	14 ³ / ₈ in (36.5 cm) x 59 in (150 cm) x 4 ¹ / ₈ in (10.5 cm) <i>See Fig. 1, pg. 151.</i>
Construction	Enclosure: 16-gauge galvanized sheet metal (unpainted). Cover: Painted (black) metal cover with ventilation holes. Cover is attached using eight phillips-head screws.
Shipping Weight	25 lbs. (11.4 kg) without RPMs

Remote Power Feed-Through Panels (cont.)



Note: The panel is 4 1/8 in (10.5 cm) deep past cover mounting tabs.

Figure 1 – Panel Dimensions and Mounting

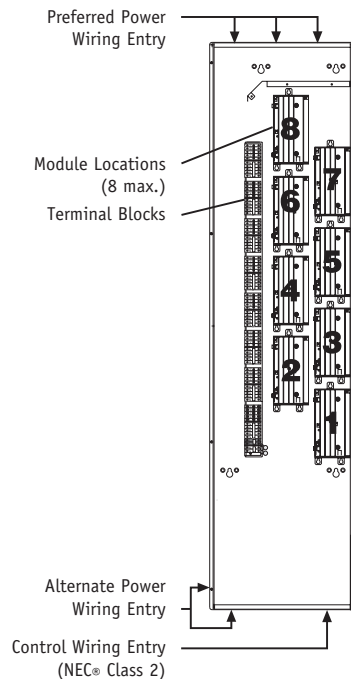
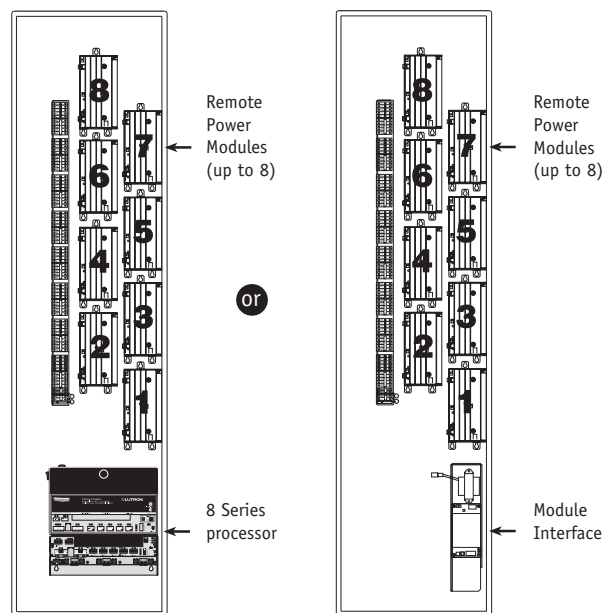


Figure 2 – Wiring Entry



- 1 8 Series processor
- Up to 8 remote power modules¹
- 1 module interface
- Up to 8 remote power modules¹

¹ One HW-HIFC-10-2 filter choke may be installed in place of module 8.

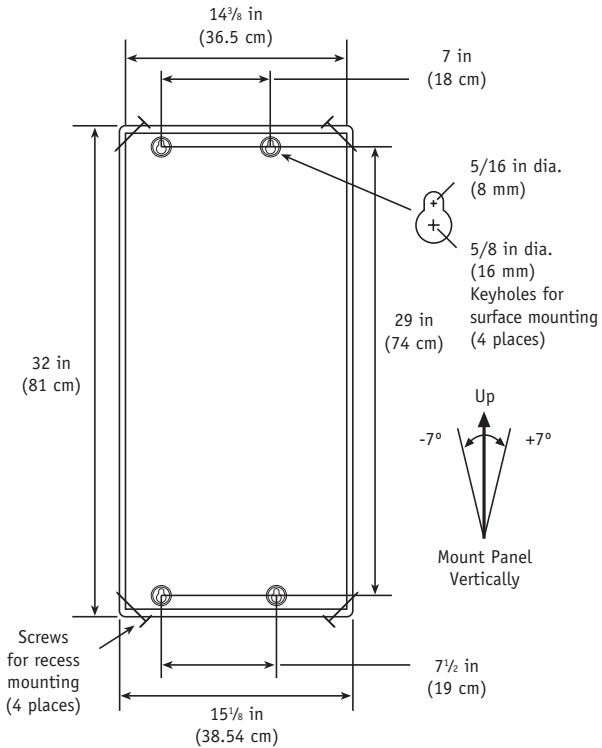
Figure 3 – Panel Configurations

BACK ROOM

Remote Power Feed-Through Panels (cont.)

Model Number	HWI-PNL-5: Five-Module remote power feed-through panel.
Capacity	Five RPMs (HW-RPM-4A, HW-RPM-4U, HW-RPM-4FSQ, HW-RPM-4M, and HW-RPM-4R) in any combination and one module interface. <i>See Fig. 2, pg. 153.</i>
Regulatory Approvals	UL, CSA, NOM
Environment	Ambient operating temperature: 0 °C to 40 °C, 32 °F to 104 °F Ambient operating humidity: 0-90% humidity, non-condensing. Indoor use only.
Cooling	Passive cooling. Mount in a place where the vented cover will not be blocked.
Heat Generated Fully Loaded	475 BTUs per hr. maximum.
Line-Voltage Connections	Use copper wire only, supply conductors 60/75 °C. DIN rail-mounted terminal blocks provided for line-voltage remote power module wiring and processor/MI power. Terminal blocks should be tightened to 3.5-5.0 in.-lbs. (0.40-0.57 N•m). <i>See Fig. 2, 3 pg. 153.</i>
DIN Rail Terminal Blocks	Terminal blocks will accept one #18-10 AWG (1.0-2.5 mm ²) wire or two #18-16 AWG (1.0-1.5 mm ²) wires. Terminal blocks should be tightened to 3.5-5.0 in.-lbs. (0.40-0.57 N•m). All terminal blocks are shipped with bypass jumpers installed. After verifying that each circuit is wired correctly, remove the bypass jumpers for system operation.
Ground Bar Terminals	24 ground termination points.
Miswire Protection	All terminal blocks are shipped with bypass jumpers installed.
Mounting	May be surface-mounted or flush-mounted. Panel fits between standard 16 in (406 mm) on-center stud framing. Panel must be mounted vertically (+/- 7 degrees from vertical). Allow at least 12 in (30 cm) air space at top and bottom and a minimum of 12 in (30 cm) clearance in front of panel, or allow air space as required by local codes (whichever is greater). Remote power panels will hum slightly and internal relays will click while in use. Mount where such noise is acceptable. Mount the panel so that line-voltage wiring will be at least 6 feet (1.8 m) from audio or electronic equipment and its wiring.
Dimensions	14 ³ / ₈ in (36.5 cm) x 32 in (81 cm) x 3 ⁷ / ₈ in (9.8 cm) <i>See Fig. 1, pg. 153.</i>
Construction	Enclosure: 16-gauge galvanized sheet metal (unpainted). Cover: Painted (black) metal cover with ventilation holes. Cover is attached using six phillips-head screws.
Shipping Weight	18 lbs. (8.6 kg) without RPMs

Remote Power Feed-Through Panels (cont.)



Note: The panel is 3 7/8 in (9.8 cm) deep past cover mounting tabs.
Figure 1 – Panel Dimensions and Mounting

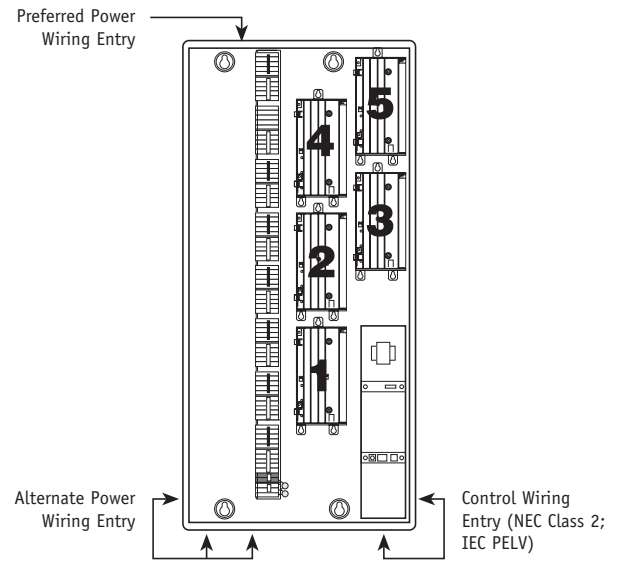


Figure 2 – Wiring Entry

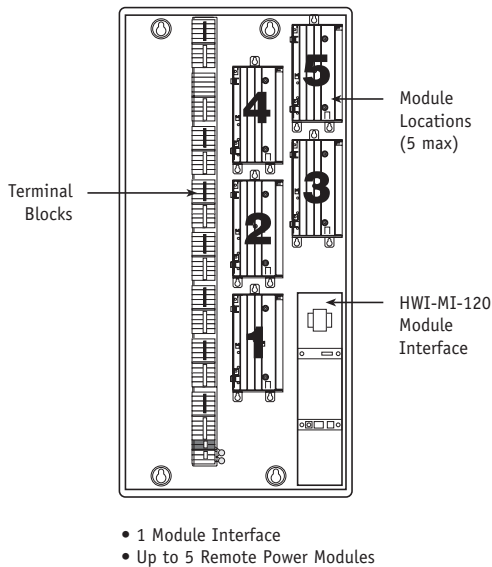


Figure 3 – Panel Configuration

BACK ROOM