

---

CATALOG

# **E-Klips steel spring fasteners**

## Electrical and mechanical fixing systems





---

**E-Klips is the market leading spring steel fastener brand, delivering robust, flexible and easy to install fixing solutions for a wide range of applications. It offers a quick, easy and reliable method of fixing services to steelwork without the need for bracket making, drilling holes or the use of nuts and bolts.**

---

# Table of contents

<b>004</b> –005	<b>Introduction</b>
<b>006</b> –009	<b>Girder &amp; purlin</b>
<b>010</b> –019	<b>Rod</b>
<b>020</b> –033	<b>Conduit</b>
<b>034</b> –039	<b>Cable</b>
<b>040</b> –041	<b>Ceiling</b>
<b>042</b> –045	<b>Decking</b>
<b>046</b> –049	<b>Pipe</b>
<b>050</b> –055	<b>Suspension</b>
<b>056</b> –057	<b>Miscellaneous</b>
<b>058</b> –061	<b>Merchandiser unit</b>
<b>062</b> –063	<b>Technical information</b>
<b>064</b> –068	<b>Index</b>

# Introduction

## Spring steel fasteners

E-Klips is the market leading spring steel fastener brand, delivering robust, flexible and easy to install fixing solutions for a wide range of applications.

— 01 Girder clamps for threaded rod

— 02 Suspended ceiling clips

— 03 Girder clips for conduit

\* FMRC Approval



E-Klips spring steel fasteners have been manufactured in the UK for over 25 years. They offer a quick, easy and reliable method of fixing services to steelwork without the need for bracket making, drilling holes or the use of nuts and bolts.

### Applications

The E-Klips spring steel fasteners range provides a fixing for almost every application, including:

- Cables and pipework
- Trunking and ducting
- Light fittings
- Conduit and cable tray
- Suspended ceilings

### Reduced installation time

E-Klips spring steel fasteners have been developed to reduce installation time. They are easy to install using only a hammer, screwdriver, spanner or pliers.

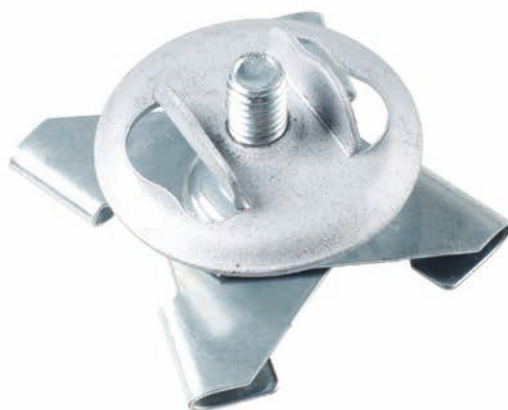
### Ultimate corrosion protection

E-Klips spring steel fasteners are now protected with our revolutionary Z600+ coating. This unique two-stage protective coating ensures that E-Klips fasteners remain protected from corrosion for a considerable period of time. Z600+ is an environmentally-friendly product which meets the requirement for a low solvent content material.

All products are manufactured to BS EN1449 - part 1.15 grade CS70, and are suitable for indoor or outdoor use, and for mildly corrosive environments. E-Klips is registered for BS EN ISO 9001 and has a comprehensive test and inspection programme.



01



02



03



---

**FMRC APPROVAL**

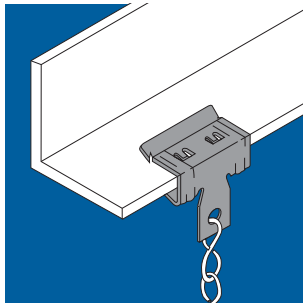
FMRC approval\* indicates that the product has been tested and approved by the Factory Mutual Research Corporation (FMRC) for use in buildings where fire regulations and environmental concerns would apply.



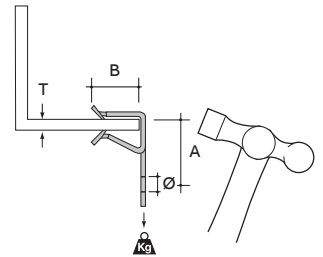
## Girder & purlin

Type AH, AV & FH – Girder clips & clamps

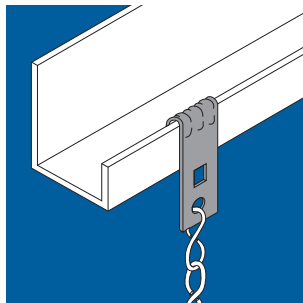
### Type AH – Girder clips for chain wire



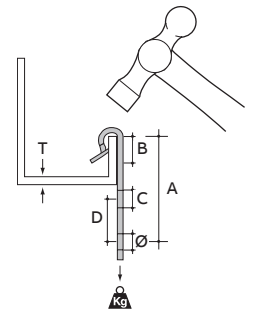
Part No.	ABB order code	T (mm)	Ø (mm)	A (mm)	B (mm)	Load rating (kg)	Material finishes	Quantity (pieces)
AH-153	7TCA084030R0448	1.5-3	6.5	16	12.5	72	F8+	100
AH-38	7TCA084030R0452	3-8	6.5	18	20.3	90	F8+	100
AH-814	7TCA084030R0457	8-14	6.5	26	20.3	90	F8+	100
AH-1420	7TCA084030R0443	14-20	6.5	30	26.6	90	F8+	100



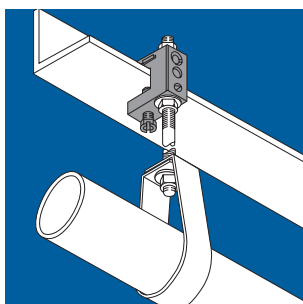
### Type AV – Girder clips for chain or wire



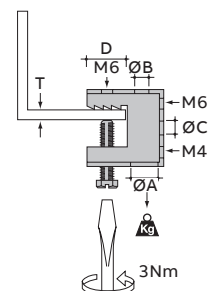
Part No.	ABB order code	T (mm)	Ø (mm)	A (mm)	B (mm)	C (mm)	D (mm)	Load rating (kg)	Material finishes	Quantity (pieces)
AV-153	7TCA084030R0734	1.5-4	6.5	41	14	6.5	12	72	F8+	100
AV-57	7TCA084030R0452	4.5-7	6.5	42	15	6.5	12	72	F8+	100



### Type FH – Girder clamps for threaded rod



Part No.	ABB order code	T (mm)	ØA (mm)	ØB (mm)	ØC (mm)	D (mm)	Load rating (kg)	Material finishes	Quantity (pieces)
FH-65	7TCA084030R1214	Max 18	12.7	6.5	6.5	19.5	45	F8+	100
FH-107	7TCA084030R1210	Max 18	10.7	10.7	6.5	19.5	45	F8+	100

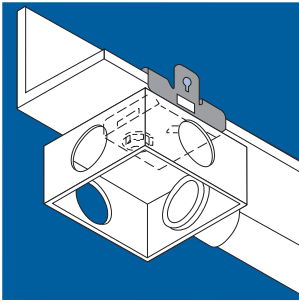




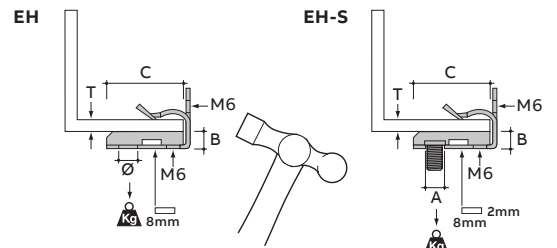
## Girder & purlin

### Type EH & SM - Girder & purlin clips

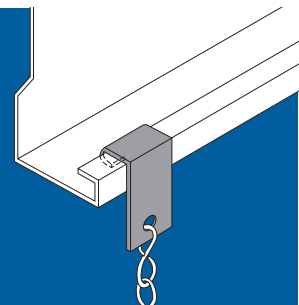
#### Type EH – Girder clips for conduit box



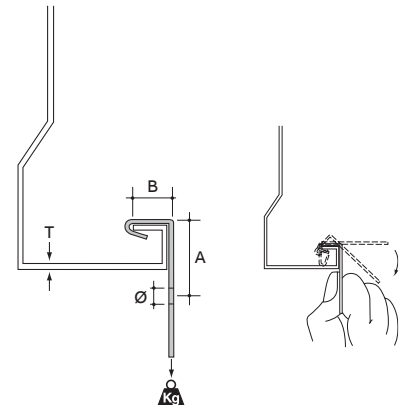
Part No.	ABB order code	T (mm)	Ø (mm)	A (mm)	B (mm)	C (mm)	Load rating (kg)	Material finishes	Quantity (pieces)
EH-38	7TCA084030R1091	3-8	7	-	7.5	33	45	F8+	100
EH-814	7TCA084030R1098	8-14	7	-	7.5	33	45	F8+	100
EH-1420	7TCA084030R1085	14-20	7	-	7.5	33	45	F8+	100
EH-38S	7TCA084030R1095	3-8	-	M6x10	7.5	33	45	F8+	100
EH-814S	7TCA084030R1102	8-14	-	M6x10	7.5	33	45	F8+	100
EH-1420S	7TCA084030R1088	14-20	-	M6x10	7.5	33	45	F8+	100



#### Type SM – Purlin clip for chain or wire



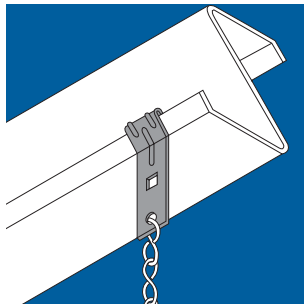
Part No.	ABB order code	T (mm)	Ø (mm)	A (mm)	B (mm)	Load rating (kg)	Material finishes	Quantity (pieces)
SM-125	7TCA084030R1753	≤3.0	6.5	37	12.5	20	F2	100



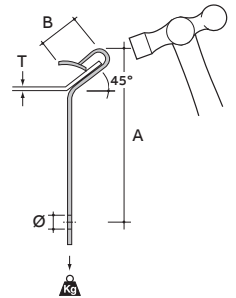
## Girder & purlin

Type RM, VM & TM – Purlin clips

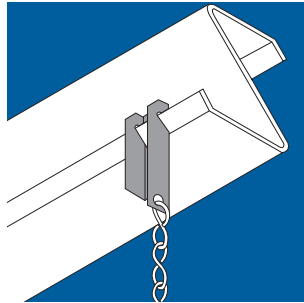
### Type RM – Purlin clip for chain or wire



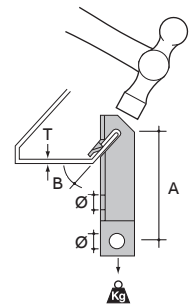
Part No.	ABB order code	T (mm)	Ø (mm)	A (mm)	B (mm)	Load rating (kg)	Material finishes	Quantity (pieces)
RM-055	7TCA084030R1735	1.5-4	6.5	53	15	45	F8+	100



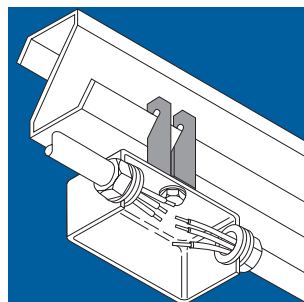
### Type VM – Purlin clip for chain or wire



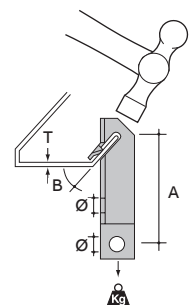
Part No.	ABB order code	T (mm)	Ø (mm)	A (mm)	B (mm)	Load rating (kg)	Material finishes	Quantity (pieces)
VM-03	7TCA084030R1848	1-3	6.5	48	45°	45	F8+	100



### Type TM – Purlin clip for conduit box



Part No.	ABB order code	T (mm)	Ø (mm)	A (mm)	B (mm)	Load rating (kg)	Material finishes	Quantity (pieces)
TM-03	7TCA084030R1823	1-3	6.5	43	45°	45	F8+	100





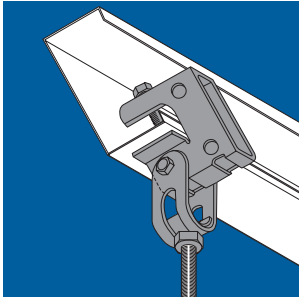
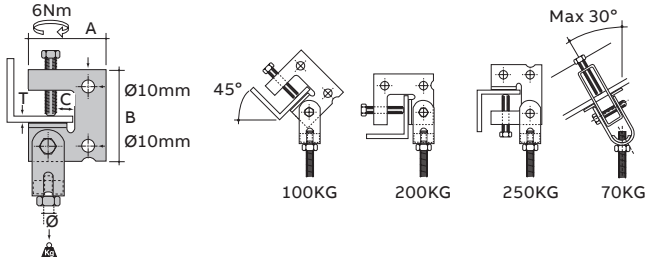


## Rod

Type SRH, FC, YH & SSYH – Girder clamps for threaded rod

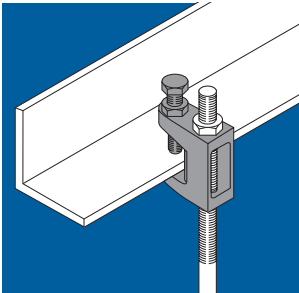
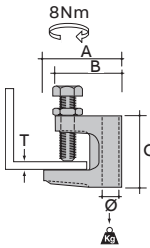
### Type AH – Girder clamp for threaded rod

Part No.	ABB order code	T (mm)	Ø (mm)	A (mm)	B (mm)	C (mm)	Load rating (kg)	Material finishes	Quantity (pieces)
SRH	7TCA084220R0406	Max 25	M10	71	60	12	200	F8+	10

### Type AV – Girder clamps for threaded rod

Part No.	ABB order code	T (mm)	Ø (mm)	A (mm)	B (mm)	C (mm)	Load rating (kg)	Material finishes	Quantity (pieces)
FC-7	7TCA084220R0159	Max 19	7	50	42	45	120	F1	25
FC-9	7TCA084220R0161	Max 19	9	50	42	45	120	F1	25
FC-11	7TCA084220R0153	Max 19	11	50	42	45	250	F1	25
FC-13	7TCA084220R0156	Max 23	13	59	49	54	350	F1	25
FC-6T	7TCA084220R0158	Max 19	M6	50	42	45	120	F1	25
FC-8T	7TCA084220R0160	Max 19	M8	50	42	45	120	F1	25
FC-10T	7TCA084220R0152	Max 19	M10	50	42	45	250	F1	25
FC-12T	7TCA084220R0155	Max 23	M12	59	49	54	350	F1	25

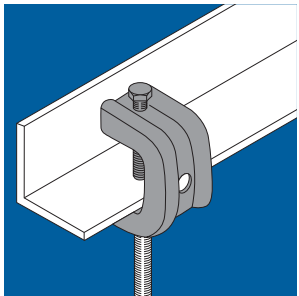
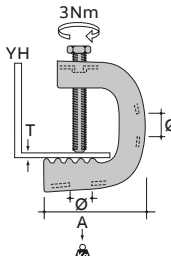



### Approvals



### Type FH – Girder clamps for threaded rod

Part No.	ABB order code	T (mm)	Ø (mm)	A (mm)	Load rating (kg)	Material finishes	Quantity (pieces)
YH-1021	7TCA084220R0558	10-21	14	47	110	F2	25
YH-1533	7TCA084220R0560	15-33	14	60	110	F2	25
YH-3247	7TCA084220R0562	32-47	14	70	110	F2	25
SSYH-1021	7TCA084220R0455	10-21	14	47	110	F3	25
SSYH-1533	7TCA084220R0457	15-33	14	60	110	F3	25
SSYH-3247	7TCA084220R0459	32-47	14	70	110	F3	25

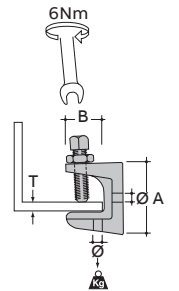
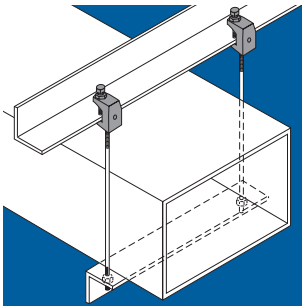


## Rod

Type BH, PD & FM – Girder, purlin & fastening clamps for threaded rod

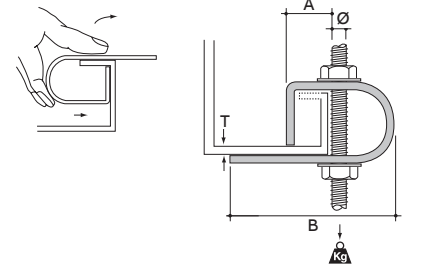
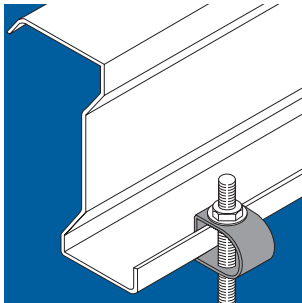
### Type AH – Girder clamps for threaded rod

Part No.	ABB order code	T (mm)	Ø (mm)	A (mm)	B (mm)	Load rating (kg)	Material finishes	Quantity (pieces)
BH-6T	7TCA084220R0070	Max 18	M6	40	22	60	F1	25
BH-8T	7TCA084220R0072	Max 18	M8	40	22	60	F1	25
BH-10T	7TCA084220R0068	Max 18	M10	40	22	60	F1	25



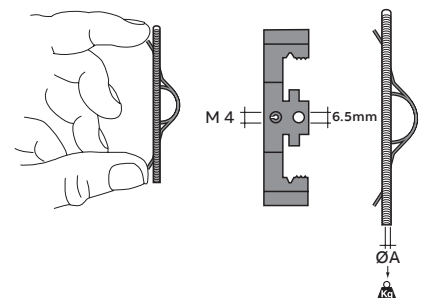
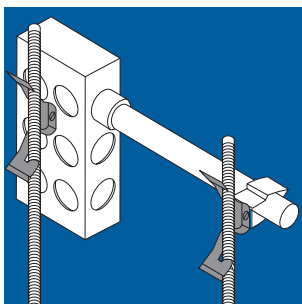
### Type AV – Purlin clamp for threaded rod

Part No.	ABB order code	T (mm)	Ø (mm)	A (mm)	B (mm)	Load rating (kg)	Material finishes	Quantity (pieces)
PD	7TCA084220R0299	≤4	12	15	85	40	F2	50



### Type FH – Fastening clips for threaded rod

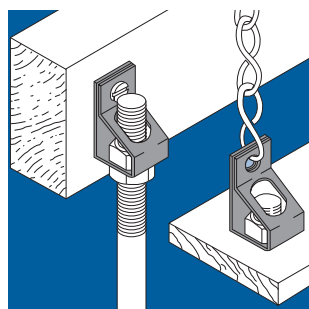
Part No.	ABB order code	ØA (mm)	Load rating (kg)	Material finishes	Quantity (pieces)
FM-313T	7TCA084030R1270	M6/M8/M10	10	F8+	100
FM-320T	7TCA084030R1274	M6/M8/M10	10	F8+	100



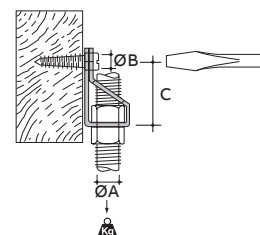
## Rod

Type AM, YM & BM – Fastening clamps for threaded rod & rod

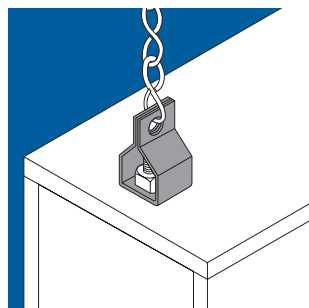
### Type AM – Fastening clips for threaded rod



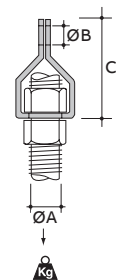
Part No.	ABB order code	ØA (mm)	ØB (mm)	C (mm)	Load rating (kg)	Material finishes	Quantity (pieces)
AM-127	7TCA084030R0728	12.7	6.5	28	68	F8+	100
AM-6T	7TCA084030R0730	M6	6.5	28	68	F8+	100
AM-8T	7TCA084030R0732	M8	6.5	28	68	F8+	100
AM-10T	7TCA084030R0726	M10	6.5	28	68	F8+	100



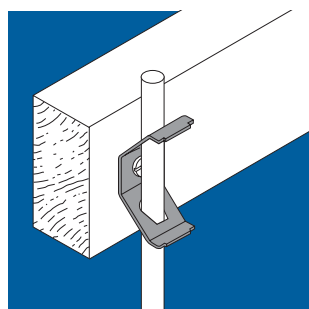
### Type YM – Fastening clip for threaded rod



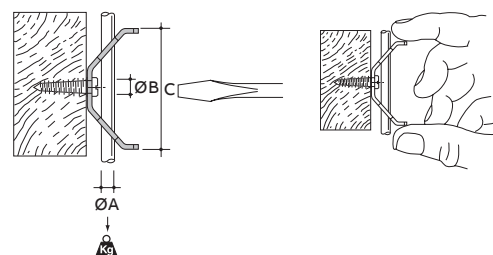
Part No.	ABB order code	ØA (mm)	ØB (mm)	C (mm)	Load rating (kg)	Material finishes	Quantity (pieces)
YM-127	7TCA084030R1865	12.7	6.5	30	90	F8+	100



### Type BM – Fastening clips for rod



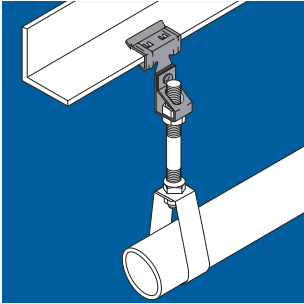
Part No.	ABB order code	ØA (mm)	ØB (mm)	C (mm)	Load rating (kg)	Material finishes	Quantity (pieces)
BM-6	7TCA084030R0839	6/M6	6.5	45	90	F8+	100
BM-8	7TCA084030R0841	8/M8	6.5	45	90	F8+	100
BM-10	7TCA084030R0835	10/M10	6.5	45	90	F8+	100



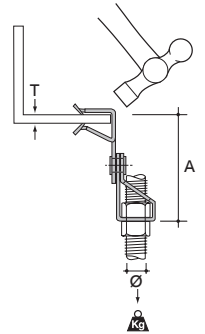
# Rod

## Type AH-AM & AH-YM – Girder clips for threaded rod

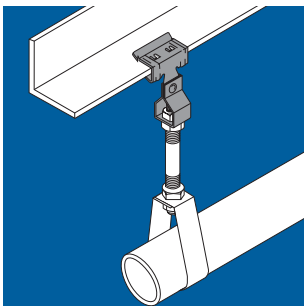
### Type AH-AM – Girder clips for threaded rod



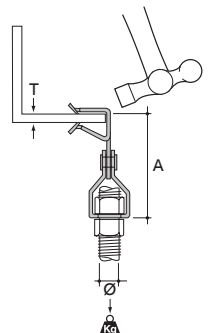
Part No.	ABB order code	T (mm)	Ø (mm)	A (mm)	Load rating (kg)	Material finishes	Quantity (pieces)
AH153-AM127	7TCA084030R0522	1.5-3	12.7	44	68	F8+	25
AH38-AM127	7TCA084030R0566	3-8	12.7	46	68	F8+	25
AH814-AM127	7TCA084030R0626	8-14	12.7	54	68	F8+	25
AH1420-AM127	7TCA084030R0465	14-20	12.7	66	68	F8+	25
AH153-AM6T	7TCA084030R0524	1.5-3	M6	44	68	F8+	25
AH38-AM6T	7TCA084030R0569	3-8	M6	46	68	F8+	25
AH814-AM6T	7TCA084030R0629	8-14	M6	54	68	F8+	25
AH1420-AM6T	7TCA084030R0467	14-20	M6	66	68	F8+	25
AH153-AM8T	7TCA084030R0525	1.5-3	M8	44	68	F8+	25
AH38-AM8T	7TCA084030R0572	3-8	M8	46	68	F8+	25
AH814-AM8T	7TCA084030R0632	8-14	M8	54	68	F8+	25
AH1420-AM8T	7TCA084030R0470	14-20	M8	66	68	F8+	25
AH153-AM10T	7TCA084030R0520	1.5-3	M10	44	68	F8+	25
AH38-AM10T	7TCA084030R0563	3-8	M10	46	68	F8+	25
AH814-AM10T	7TCA084030R0623	8-14	M10	54	68	F8+	25
AH1420-AM10T	7TCA084030R0462	14-20	M10	66	68	F8+	25



### Type AH-YM – Girder clips for threaded rod



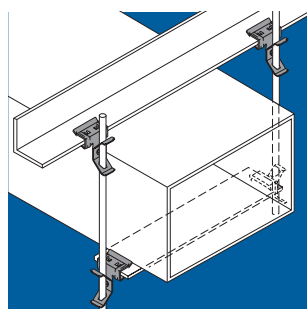
Part No.	ABB order code	T (mm)	Ø (mm)	A (mm)	Load rating (kg)	Material finishes	Quantity (pieces)
AH153-YM127	7TCA084030R0561	1.5-3	12.7	48	72	F8+	25
AH38-YM127	7TCA084030R0621	3-8	12.7	48	90	F8+	25
AH814-YM127	7TCA084030R0681	8-14	12.7	56	90	F8+	25
AH1420-YM127	7TCA084030R0515	14-20	12.7	70	90	F8+	25



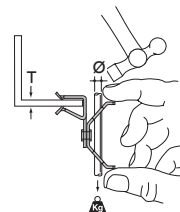
## Rod

Type AM-BM, AHB & AV-JB – Girder & purlin clips for threaded rod & rod

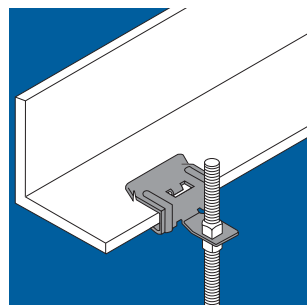
### Type AM-BM – Girder clips for rod



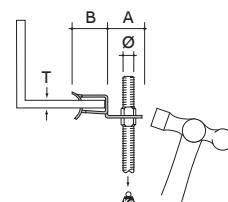
Part No.	ABB order code	T (mm)	Ø (mm)	Load rating (kg)	Material finishes	Quantity (pieces)
AH153-BM6	7TCA084030R0532	1.5-3	6/M6	72	F8+	25
AH38-BM6	7TCA084030R0580	3-8	6/M6	90	F8+	25
AH814-BM6	7TCA084030R0639	8-14	6/M6	90	F8+	25
AH1420-BM6	7TCA084030R0476	14-20	6/M6	90	F8+	25
AH153-BM8	7TCA084030R0534	1.5-3	8/M8	72	F8+	25
AH38-BM8	7TCA084030R0582	3-8	8/M8	90	F8+	25
AH814-BM8	7TCA084030R0641	8-14	8/M8	90	F8+	25
AH1420-BM8	7TCA084030R0478	14-20	8/M8	90	F8+	25
AH153-BM10	7TCA084030R0529	1.5-3	10/M10	72	F8+	25
AH38-BM10	7TCA084030R0576	3-8	10/M10	90	F8+	25
AH814-BM10	7TCA084030R0636	8-14	10/M10	90	F8+	25
AH1420-BM10	7TCA084030R0473	14-20	10/M10	90	F8+	25



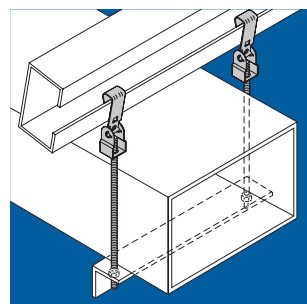
### Type AHB – Girder clips for threaded rod



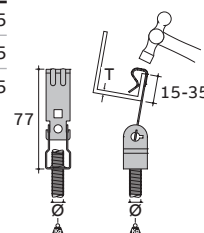
Part No.	ABB order code	T (mm)	Ø (mm)	A (mm)	B (mm)	Load rating (kg)	Material finishes	Quantity (pieces)
AHB-153	7TCA084030R0685	1.5-3	6.5	22	12.5	20	F8+	100
AHB-38	7TCA084030R0687	3-8	6.5	25	20.3	20	F8+	100
AHB-814	7TCA084030R0690	8-14	6.5	26	20.3	20	F8+	100
AHB-1420	7TCA084030R0683	14-20	6.5	27	26.6	20	F8+	100



### Type AV-JB – Purlin clips for threaded rod



Part No.	ABB order code	T (mm)	Ø (mm)	Load rating (kg)	Material finishes	Quantity (pieces)
AV155-JB8T	7TCA084030R0787	1.5-4	M8	70	F8+	25
AV155-JB10T	7TCA084030R0785	1.5-4	M10	70	F8+	25
AV155-JB11	7TCA084030R0786	1.5-4	11	70	F8+	25
AV57-JB8T	7TCA084030R0824	4.5-7	M8	70	F8+	25
AV57-JB10T	7TCA084030R0822	4.5-7	M10	70	F8+	25
AV57-JB11	7TCA084030R0823	4.5-7	11	70	F8+	25

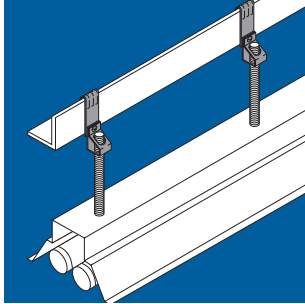




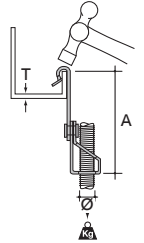
## Rod

Type AV-AM, AVB & AV-BM – Purlin clips for threaded rod & rod

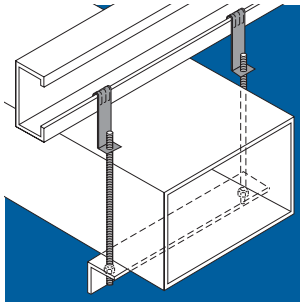
### Type AV-AM – Purlin clips for threaded rod



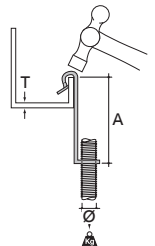
Part No.	ABB order code	T (mm)	Ø (mm)	A (mm)	Load rating (kg)	Material finishes	Quantity (pieces)
AV155-AM127	7TCA084030R0747	1.5-4	12.7	70	72	F8+	25
AV155-AM6T	7TCA084030R0750	1.5-4	M6	70	90	F8+	25
AV155-AM8T	7TCA084030R0754	1.5-4	M8	70	90	F8+	25
AV155-AM10T	7TCA084030R0742	1.5-4	M10	70	90	F8+	25
AV57-AM127	7TCA084030R0798	4.5-7	12.7	70	72	F8+	25
AV57-AM6T	7TCA084030R0800	4.5-7	M6	70	90	F8+	25
AV57-AM8T	7TCA084030R0803	4.5-7	M8	70	90	F8+	25
AV57-AM10T	7TCA084030R0795	4.5-7	M10	70	90	F8+	25



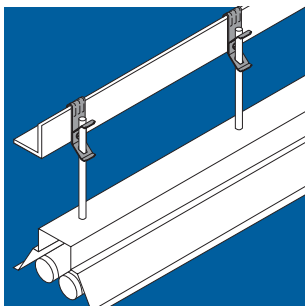
### Type AVB – Purlin clips for threaded rod



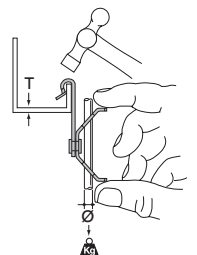
Part No.	ABB order code	T (mm)	Ø (mm)	A (mm)	Load rating (kg)	Material finishes	Quantity (pieces)
AVB-6T	7TCA084030R0830	1.5-5	M6	34	20	F8+	100
AVB-8T	7TCA084030R0831	1.5-5	M6	34	20	F8+	100



### Type AV-BM – Purlin clips for rod



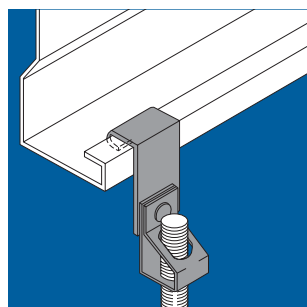
Part No.	ABB order code	T (mm)	Ø (mm)	Load rating (kg)	Material finishes	Quantity (pieces)
AV155-BM6	7TCA084030R0762	1.5-4	6/M6	72	F8+	25
AV155-BM8	7TCA084030R0764	1.5-4	8/M8	72	F8+	25
AV155-BM10	7TCA084030R0758	1.5-4	10/M10	72	F8+	25
AV57-BM6	7TCA084030R0809	4.5-7	6/M6	72	F8+	25
AV57-BM8	7TCA084030R0811	4.5-7	8/M8	72	F8+	25
AV57-BM10	7TCA084030R0806	4.5-7	10/M10	72	F8+	25



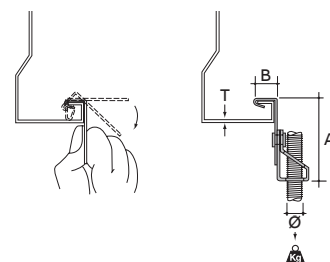
## Rod

Type SM-AM, UM-AM, UM-YM & UM-BM – Purlin & fastener clips for threaded rod & rod

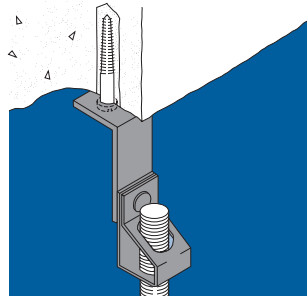
### Type SM-AM – Purlin clips for threaded rod



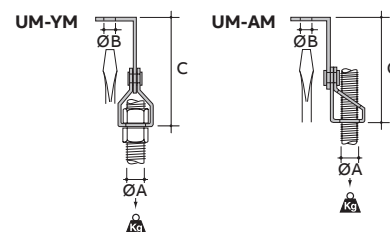
Part No.	ABB order code	T (mm)	Ø (mm)	A (mm)	B (mm)	Load rating	Material finishes	Quantity (pieces)
SM125-AM127	7TCA084030R1757	≤3.0	12.7	65	12.5	20	F2	25
SM125-AM6T	7TCA084030R1759	≤3.0	M6	65	12.5	20	F2	25
SM125-AM8T	7TCA084030R1761	≤3.0	M8	65	12.5	20	F2	25
SM125-AM10T	7TCA084030R1755	≤3.0	M10	65	12.5	20	F2	25



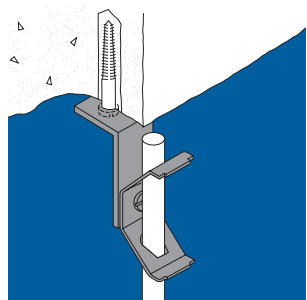
### Type UM-AM & UM-YM – Fastening clips for threaded rod



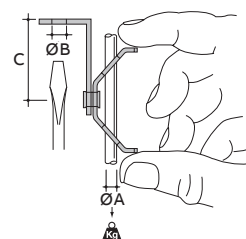
Part No.	ABB order code	ØA (mm)	ØB (mm)	C (mm)	Load rating (kg)	Material finishes	Quantity (pieces)
UM44-AM6T	7TCA084030R1840	M6	6.5	69	68	F8+	25
UM44-AM8T	7TCA084030R1841	M8	6.5	69	68	F8+	25
UM44-AM10T	7TCA084030R1838	M10	6.5	69	68	F8+	25
UM44-AM127	7TCA084030R1839	12.7	6.5	69	68	F8+	25
UM44-YM127	7TCA084030R0683	12.7	6.5	71	90	F8+	25



### Type UM-BM – Fastening clips for rod



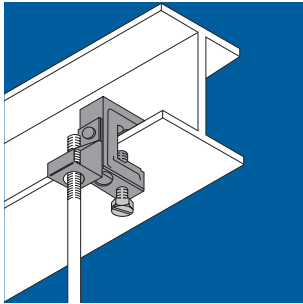
Part No.	ABB order code	ØA (mm)	ØB (mm)	C (mm)	Load rating (kg)	Material finishes	Quantity (pieces)
UM44-BM6	7TCA084030R1844	6/M6	6.5	39	90	F8+	25
UM44-BM8	7TCA084030R1845	8/M8	6.5	39	90	F8+	25
UM44-BM10	7TCA084030R1842	10/M10	6.5	39	90	F8+	25



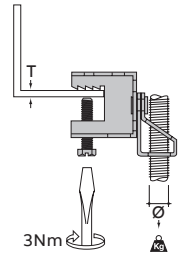
## Rod

Type FH-AM, FH-BM & VM-AM – Girder & purlin clamps for threaded rod & rod

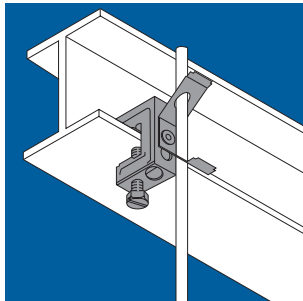
### Type FH-AM – Girder clamps for threaded rod



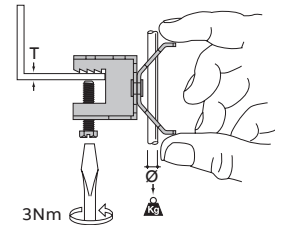
Part No.	ABB order code	T (mm)	Ø (mm)	Load rating (kg)	Material finishes	Quantity (pieces)
FH107-AM127	7TCA084030R1220	Max 18	12.7	45	F8+	25
FH107-AM6T	7TCA084030R1222	Max 18	M6	45	F8+	25
FH107-AM8T	7TCA084030R1224	Max 18	M8	45	F8+	25
FH107-AM10T	7TCA084030R1218	Max 18	M10	45	F8+	25



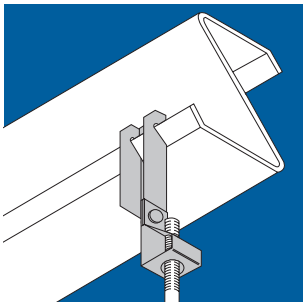
### Type FH-BM – Girder clamps for rod



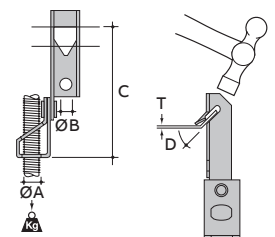
Part No.	ABB order code	T (mm)	Ø (mm)	Load rating (kg)	Material finishes	Quantity (pieces)
FH107-BM6	7TCA084030R1230	Max 18	6/M6	45	F8+	25
FH107-BM8	7TCA084030R1232	Max 18	8/M8	45	F8+	25
FH107-BM10	7TCA084030R1226	Max 18	10/M10	45	F8+	25



### Type VM-AM – Purlin clips for threaded rod



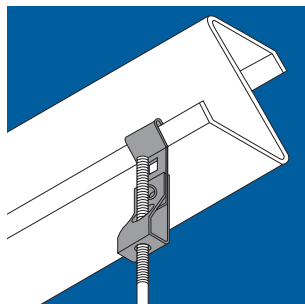
Part No.	ABB order code	T (mm)	ØA (mm)	ØB (mm)	C (mm)	D	Load rating (kg)	Material finishes	Quantity (pieces)
VM03-AM127	7TCA084030R1852	1-3	12.7	6.5	77	45°	45	F8+	25
VM03-AM6T	7TCA084030R1853	1-3	M6	6.5	77	45°	45	F8+	25
VM03-AM8T	7TCA084030R1855	1-3	M8	6.5	77	45°	45	F8+	25
VM03-AM10T	7TCA084030R1850	1-3	M10	6.5	77	45°	45	F8+	25



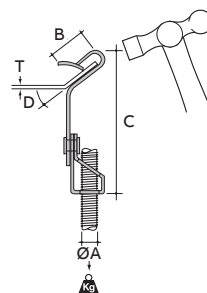
## Rod

Type RM-AM, VM-BM & TL – Purlin clips for threaded rod, rod & connector

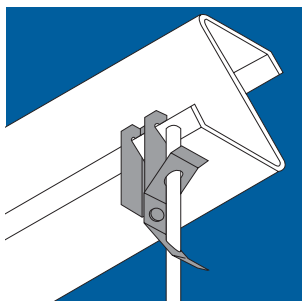
### Type RM-AM – Purlin clips for threaded rod



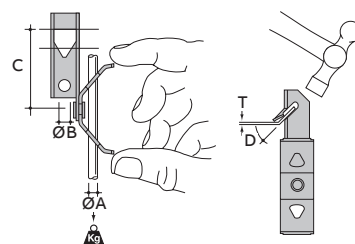
Part No.	ABB order code	T (mm)	ØA (mm)	B (mm)	C (mm)	D (mm)	Load rating (kg)	Material finishes	Quantity (pieces)
RM055-AM127	7TCA084030R1741	0.5-5	12.7	15	77	45°	45	F8+	25
RM055-AM6T	7TCA084030R1743	0.5-5	M6	15	77	45°	45	F8+	25
RM055-AM8T	7TCA084030R1745	0.5-5	M8	15	77	45°	45	F8+	25
RM055-AM10T	7TCA084030R1739	0.5-5	M10	15	77	45°	45	F8+	25



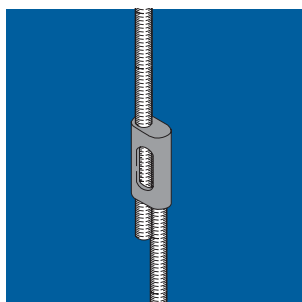
### Type VM-BM – Purlin clips for rod



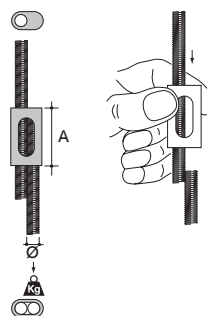
Part No.	ABB order code	T (mm)	ØA (mm)	B (mm)	C (mm)	D (mm)	Load rating (kg)	Material finishes	Quantity (pieces)
VM03-BM6	7TCA084030R1859	1-3	6/M6	6.5	48	45°	45	F8+	25
VM03-BM8	7TCA084030R1860	1-3	8/M8	6.5	48	45°	45	F8+	25
VM03-BM10	7TCA084030R1857	1-3	10/M10	6.5	48	45°	45	F8+	25



### Type TL – Threaded rod connector



Part No.	ABB order code	Ø (mm)	A (mm)	Load rating (kg)	Material finishes	Quantity (pieces)
TL10	7TCA084220R0477	M10	35	300	F2	25



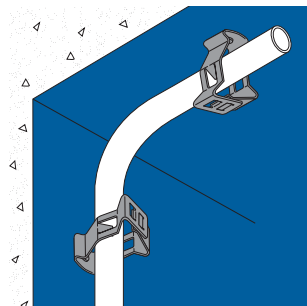




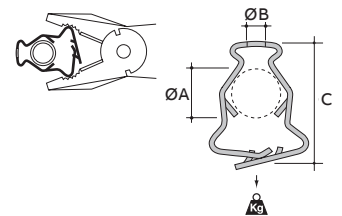
## Conduit

Type GM, JM & FM-T – Fastening clips for conduit

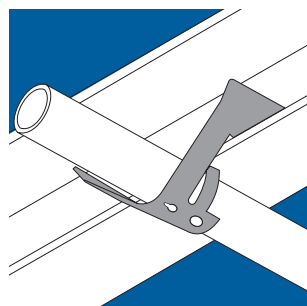
### Type GM – Fastening clips for conduit



Part No.	ABB order code	ØA (mm)	ØB (mm)	C (mm)	PG type	Load rating	Material finishes	Quantity (pieces)
GM-1219	7TCA084030R1302	19-26	6.5	44	7/9/11	45	F8+	100
GM-1926	7TCA084030R1305	19-26	6.5	44	13.5/16	45	F8+	100
GM-1926	7TCA084030R1310	32-40	6.5	55	21	45	F8+	100
GM-2632	7TCA084030R1312	32-40	6.5	68	29	45	F8+	100
GM-4047	7TCA084030R1315	40-47	6.5	79	36	45	F8+	100
GM-4757	7TCA084030R1317	47-57	6.5	87	36/42	45	F8+	100

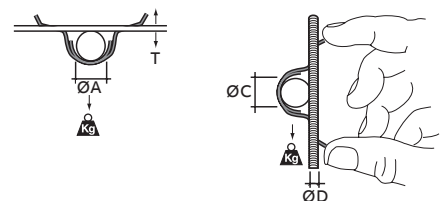


### Type FH-AM – Fastening clips for conduit



Part No.	ABB order code	T (mm)	ØA (mm)	PG type	Load rating (kg)	Material finishes	Quantity (pieces)
FM-313T	7TCA084030R1270	3-5	16-25	11/13.5/16	45	F8+	100
		6-9	16-20	11/13.5	45	F8+	100
		9-13	16	11	45	F8+	100
FM-320T	7TCA084030R1274	3-5	20-38	13.5/16/21/29	45	F8+	100
		6-9	20-35	13.5/16/21	45	F8+	100
		9-13	20-30	13.5/16/21	45	F8+	100
		13-16	20-25	13.5/16	45	F8+	100
		16-20	20	13.5	45	F8+	100

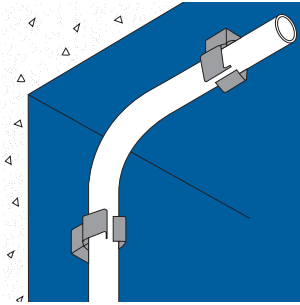
Part No.	ABB order code	ØC (mm)	ØD (mm)	PG type	Load rating (kg)	Material finishes	Quantity (pieces)
FM-313T	7TCA084030R1270	20 Max	M6/M8/M10	11	22	F8+	100
FM-320T	7TCA084030R1274	40 Max	M6/M8/M10	29	22	F8+	100



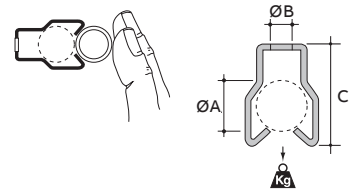
# Conduit

## Type JM & AH-GM – Fastening & girder clips for conduit

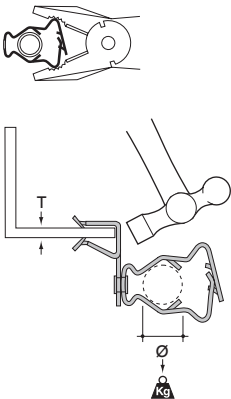
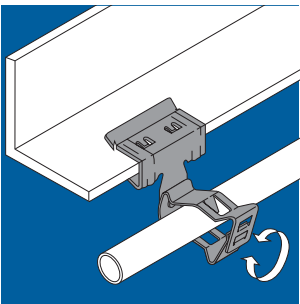
### Type JM – Fastening clips for conduit



Part No.	ABB order code	ØA (mm)	ØB (mm)	C (mm)	PG type	Load rating (kg)	Material finishes	Quantity (pieces)
JM-1825	7TCA084030R1451	18-22	6.5	33	11/13.5/16	11	F8+	100
JM-2229	7TCA084030R1455	22-29	6.5	38	16/21	11	F8+	100
JM-2933	7TCA084030R1459	29-33	6.5	43	-	11	F8+	100



### Type AH-GM – Girder clips for conduit

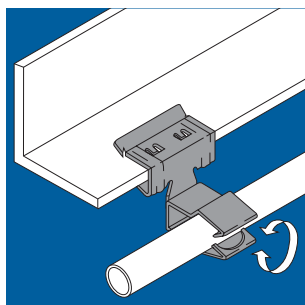


Part No.	ABB order code	T (mm)	Ø (mm)	PG type	Load rating (kg)	Material finishes	Quantity (pieces)
AH153-GM1219	7TCA084030R0544	1.5-3	12-19	7/9/11	12	F8+	25
AH153-GM1926	7TCA084030R0546	1.5-3	19-26	13.5/16	12	F8+	25
AH153-GM2632	7TCA084030R0548	1.5-3	26-32	21	12	F8+	25
AH153-GM3240	7TCA084030R0550	1.5-3	32-40	29	12	F8+	25
AH153-GM4047	7TCA084030R0552	1.5-3	40-47	36	12	F8+	25
AH153-GM4757	7TCA084030R0554	1.5-3	47-57	36/42	12	F8+	25
AH38-GM1219	7TCA084030R0593	3-8	12-19	7/9/11	12	F8+	25
AH38-GM1926	7TCA084030R0595	3-8	19-26	13.5/16	12	F8+	25
AH38-GM2632	7TCA084030R0598	3-8	26-32	21	12	F8+	25
AH38-GM3240	7TCA084030R0600	3-8	32-40	29	12	F8+	25
AH38-GM4047	7TCA084030R0602	3-8	40-47	36	12	F8+	25
AH38-GM4757	7TCA084030R0604	3-8	47-57	36/42	12	F8+	25
AH814-GM1219	7TCA084030R0650	8-14	12-19	7/9/11	12	F8+	25
AH814-GM1926	7TCA084030R0652	8-14	19-26	13.5/16	12	F8+	25
AH814-GM2632	7TCA084030R0655	8-14	26-32	21	12	F8+	25
AH814-GM3240	7TCA084030R0657	8-14	32-40	29	12	F8+	25
AH814-GM4047	7TCA084030R0659	8-14	40-47	36	12	F8+	25
AH814-GM4757	7TCA084030R0661	8-14	47-57	36/42	12	F8+	25
AH1420-GM1219	7TCA084030R0487	14-20	12-19	7/9/11	12	F8+	25
AH1420-GM1926	7TCA084030R0489	14-20	19-26	13.5/16	12	F8+	25
AH1420-GM2632	7TCA084030R0493	14-20	26-32	21	12	F8+	25
AH1420-GM3240	7TCA084030R0495	14-20	32-40	29	12	F8+	25
AH1420-GM4047	7TCA084030R0497	14-20	40-47	36	12	F8+	25
AH1420-GM4757	7TCA084030R0499	14-20	47-57	36/42	12	F8+	25

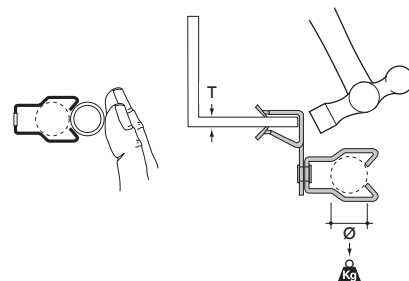
## Conduit

### Type AH-JM – Girder clips for conduit

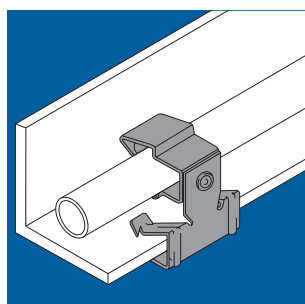
#### Type AH-JM – Girder clips for conduit



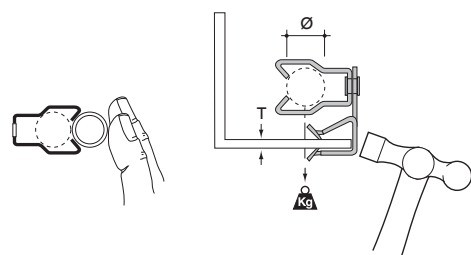
Part No.	ABB order code	T (mm)	Ø (mm)	PG type	Load rating (kg)	Material finishes	Quantity (pieces)
AH38-JM1825	7TCA084030R0606	3-8	18-22	11/13.5/16	7	F8+	25
AH38-JM2229	7TCA084030R0610	3-8	22-29	16/21	7	F8+	25
AH38-JM2933	7TCA084030R0614	3-8	29-33	-	7	F8+	25
AH814-JM1825	7TCA084030R0663	8-14	18-22	11/13.5/16	7	F8+	25
AH814-JM2229	7TCA084030R0667	8-14	22-29	16/21	7	F8+	25
AH814-JM2933	7TCA084030R0671	8-14	29-33	-	7	F8+	25
AH1420-JM1825	7TCA084030R0501	14-20	18-22	11/13.5/16	7	F8+	25
AH1420-JM2229	7TCA084030R0504	14-20	22-29	16/21	7	F8+	25
AH1420-JM2933	7TCA084030R0507	14-20	29-33	-	7	F8+	25



#### Type AH-JM – Girder clips for conduit



Part No.	ABB order code	T (mm)	Ø (mm)	PG type	Load rating (kg)	Material finishes	Quantity (pieces)
AH38-JM1825R	7TCA084030R0608	3-8	18-22	11/13.5/16	7	F8+	25
AH38-JM2229R	7TCA084030R0612	3-8	22-29	16/21	7	F8+	25
AH814-JM1825R	7TCA084030R0665	8-14	18-22	11/13.5/16	7	F8+	25
AH814-JM2229R	7TCA084030R0669	8-14	22-29	16/21	7	F8+	25
AH814-JM2933R	7TCA084030R0673	8-14	29-33	-	7	F8+	25
AH1420-JM1825R	7TCA084030R0503	14-20	18-22	11/13.5/16	7	F8+	25
AH1420-JM2229R	7TCA084030R0506	14-20	22-29	16/21	7	F8+	25
AH1420-JM2933R	7TCA084030R0509	14-20	29-33	-	7	F8+	25

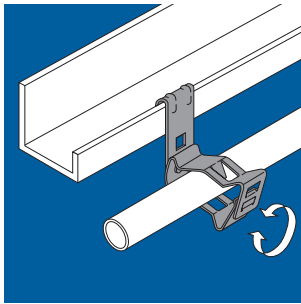




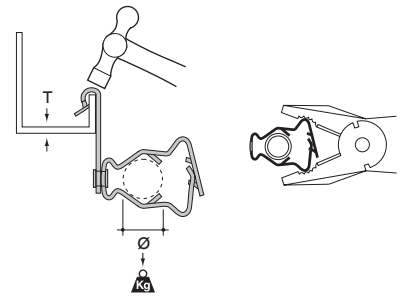
# Conduit

## Type AV-GM – Purlin clips for conduit

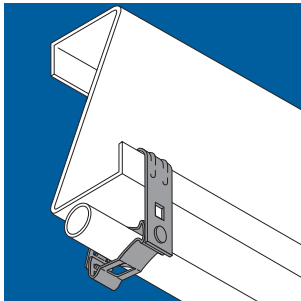
### Type AV-GM – Purlin clips for conduit



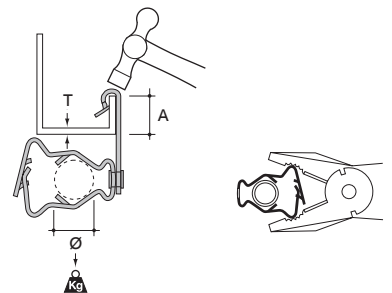
Part No.	ABB order code	T (mm)	Ø (mm)	PG type	Load rating (kg)	Material finishes	Quantity (pieces)
AV155-GM1219	7TCA084030R0772	1.5-4	12-19	7/9/11	12	F8+	25
AV155-GM1926	7TCA084030R0775	1.5-4	19-26	13.5/16	12	F8+	25
AV155-GM2632	7TCA084030R0779	1.5-4	26-32	21	12	F8+	25
AV155-GM3240	7TCA084030R0782	1.5-4	32-40	29	12	F8+	25
AV155-GM4047	7TCA084030R1909	1.5-4	40-47	36	12	F8+	25
AV155-GM4757	7TCA084030R0784	1.5-4	47-57	36/42	12	F8+	25
AV57-GM1219	7TCA084030R0817	4.5-7	12-19	7/9/11	12	F8+	25
AV57-GM1926	7TCA084030R0818	4.5-7	19-26	13.5/16	12	F8+	25
AV57-GM2632	7TCA084030R0820	4.5-7	26-32	21	12	F8+	25
AV57-GM3240	7TCA084030R1910	4.5-7	32-40	29	12	F8+	25
AV57-GM4047	7TCA084030R1911	4.5-7	40-47	36	12	F8+	25
AV57-GM4757	7TCA084030R0821	4.5-7	47-57	36/42	12	F8+	25



### Type AV-GM – Purlin clips for conduit



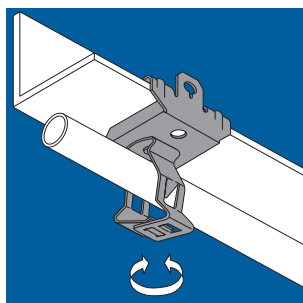
Part No.	ABB order code	T (mm)	Ø (mm)	A (mm)	PG type	Load rating (kg)	Material finishes	Quantity (pieces)
AV155-GM1219R	7TCA084030R0774	1.5-4	12-19	Max	7/9/11	12	F8+	25
AV155-GM1926R	7TCA084030R0778	1.5-4	19-26	Max	13.5/16	12	F8+	25
AV155-GM2632R	7TCA084030R0781	1.5-4	26-32	Max	21	12	F8+	25
AV57-GM1219R	7TCA084030R1912	4.5-7	12-19	Max	7/9/11	12	F8+	25
AV57-GM1926R	7TCA084030R1913	4.5-7	19-26	Max	13.5/16	12	F8+	25
AV57-GM2632R	7TCA084030R1914	4.5-7	26-32	Max	21	12	F8+	25



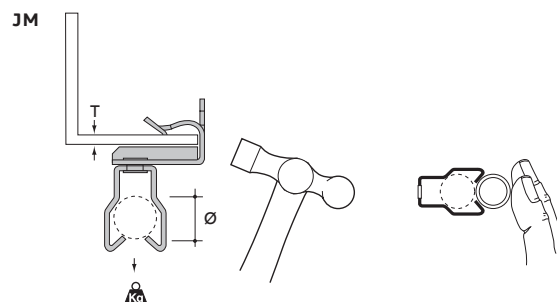
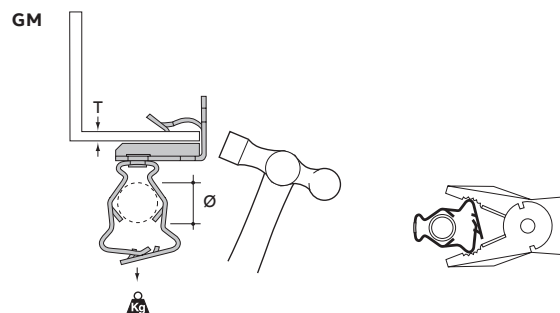
## Conduit

### Type EH-GM & EH-JM – Girder clips for conduit

#### Type EH-GM & EH-JM – Girder clips for conduit



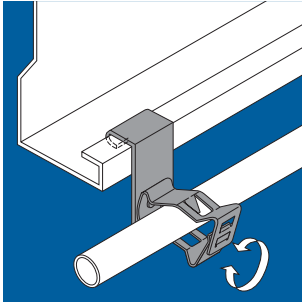
Part No.	ABB order code	T (mm)	Ø (mm)	PG type	Load rating (kg)	Material finishes	Quantity (pieces)
EH38-GM1219	7TCA084030R1133	3-8	12-19	7/9/11	45	F8+	25
EH38-GM1926	7TCA084030R1135	3-8	19-26	13.5/16	45	F8+	25
EH38-GM2632	7TCA084030R1138	3-8	26-32	21	45	F8+	25
EH38-GM3240	7TCA084030R1140	3-8	32-40	29	45	F8+	25
EH38-GM4047	7TCA084030R1142	3-8	40-47	36	45	F8+	25
EH38-GM4757	7TCA084030R1144	3-8	47-57	36/42	45	F8+	25
EH814-GM1219	7TCA084030R1163	8-14	12-19	9-11	45	F8+	25
EH814-GM1926	7TCA084030R1165	8-14	19-26	13.5/16	45	F8+	25
EH814-GM2632	7TCA084030R1168	8-14	26-32	21	45	F8+	25
EH814-GM3240	7TCA084030R1170	8-14	32-40	29	45	F8+	25
EH814-GM4047	7TCA084030R1172	8-14	40-47	36	45	F8+	25
EH814-GM4757	7TCA084030R1174	8-14	47-57	36/42	45	F8+	25
EH1420-GM1219	7TCA084030R1105	14-20	12-19	9-11	45	F8+	25
EH1420-GM1926	7TCA084030R1107	14-20	19-26	13.5/16	45	F8+	25
EH1420-GM2632	7TCA084030R1109	14-20	26-32	21	45	F8+	25
EH1420-GM3240	7TCA084030R1111	14-20	32-40	29	45	F8+	25
EH1420-GM4047	7TCA084030R1113	14-20	40-47	36	45	F8+	25
EH1420-GM4757	7TCA084030R1115	14-20	47-57	36/42	45	F8+	25
EH38-JM1825	7TCA084030R1146	3-8	18-22	11/13.5/16	11	F8+	25
EH38-JM2229	7TCA084030R1148	3-8	22-29	16/21	11	F8+	25
EH38-JM2933	7TCA084030R1150	3-8	29-33	-	11	F8+	25
EH814-JM1825	7TCA084030R1176	8-14	18-22	11/13.5/16	11	F8+	25
EH814-JM2229	7TCA084030R1178	8-14	22-29	16/21	11	F8+	25
EH814-JM2933	7TCA084030R1180	8-14	29-33	-	11	F8+	25
EH1420-JM1825	7TCA084030R1117	14-20	18-22	11/13.5/16	11	F8+	25
EH1420-JM2229	7TCA084030R1119	14-20	22-29	16/21	11	F8+	25
EH1420-JM2933	7TCA084030R1121	14-20	29-33	-	11	F8+	25



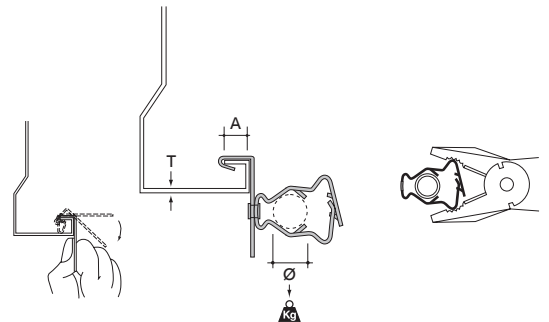
## Conduit

### Type SM-GM & EH-P – Purlin & girder clips for conduit

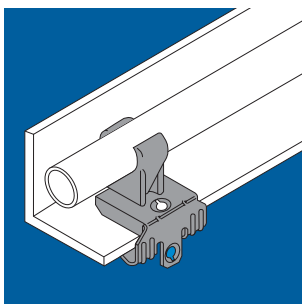
#### Type SM-GM – Purlin clips for conduit



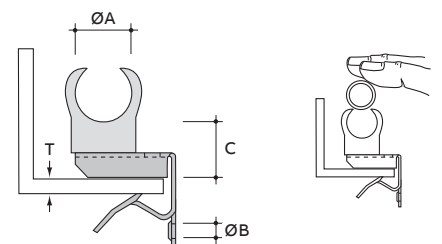
Part No.	ABB order code	T (mm)	Ø (mm)	A (mm)	PG type	Load rating (kg)	Material finishes	Quantity (pieces)
SM125-GM1219	7TCA084030R1771	≤3.0	12-19	12.5	7/9/11	12	F2	25
SM125-GM1926	7TCA084030R1773	≤3.0	19-26	12.5	13.5/16	12	F2	25
SM125-GM2632	7TCA084030R1775	≤3.0	26-32	12.5	21	12	F2	25
SM125-GM3240	7TCA084030R1922	≤3.0	32-40	12.5	29	12	F2	25
SM125-GM4047	7TCA084030R1923	≤3.0	40-47	12.5	36	12	F2	25
SM125-GM4757	7TCA084030R1924	≤3.0	47-57	12.5	36/42	12	F2	25



#### Type EH-P – Girder clips for conduit



Part No.	ABB order code	T (mm)	ØA (mm)	ØB (mm)	C (mm)	Load rating (kg)	Material finishes	Quantity (pieces)
EH38-P15	7TCA084030R1152	3-8	15	M6	22	F8+*	25	25
EH38-P22	7TCA084030R1154	3-8	22	M6	22	F8+*	25	25
EH38-P28	7TCA084030R1157	3-8	28	M6	22	F8+*	25	25
EH814-P15	7TCA084030R1182	8-14	15	M6	22	F8+*	25	25
EH814-P22	7TCA084030R1184	8-14	22	M6	22	F8+*	25	25
EH814-P28	7TCA084030R1187	8-14	28	M6	22	F8+*	25	25
EH1420-P15	7TCA084030R1123	14-20	15	M6	22	F8+*	25	25
EH1420-P22	7TCA084030R1125	14-20	22	M6	22	F8+*	25	25
EH1420-P28	7TCA084030R1127	14-20	28	M6	22	F8+*	25	25

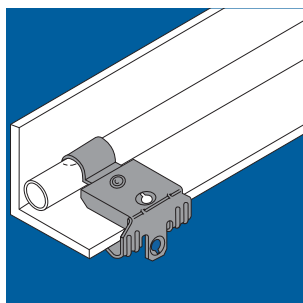


\* Conduit clips are made of Polypropylene

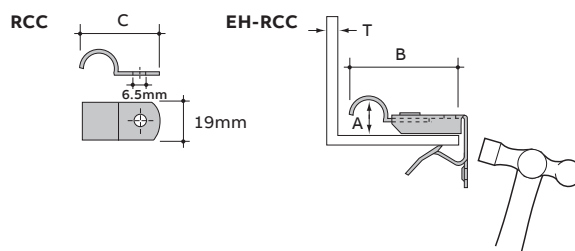
## Conduit

Type EH-RCC, RCC & TM-GM – Girder clips for conduit or cable & purlin clips for conduit

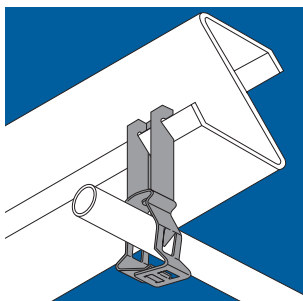
### Type EH-RCC & RCC – Girder clips for conduit or cable



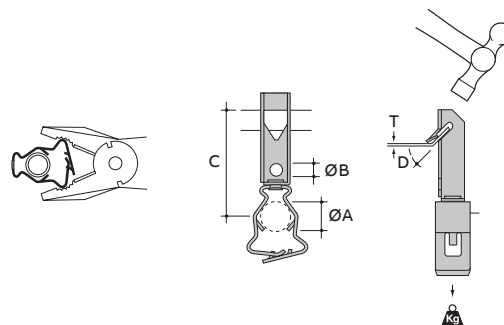
Part No.	ABB order code	T (mm)	A (mm)	B (mm)	C (mm)	Load rating (kg)	Material finishes	Quantity (pieces)
EH38-RCC13	7TCA084030R1160	3-8	13	51	-	F8+	25	25
EH38-RCC15	7TCA084030R1162	3-8	15	53	-	F8+	25	25
EH814-RCC13	7TCA084030R1191	8-14	13	51	-	F8+	25	25
EH814-RCC15	7TCA084030R1193	8-14	15	53	-	F8+	25	25
EH1420-RCC13	7TCA084030R1129	14-20	13	51	-	F8+	25	25
EH1420-RCC15	7TCA084030R1131	14-20	15	53	-	F8+	25	25
RCC-6-FU	7TCA084220R0349	-	6	-	29	F8+	100	25
RCC-8	7TCA084220R0350	-	8	-	31	F8+	100	25
RCC-10	7TCA084220R0344	-	10	-	33	F8+	100	25
RCC-13	7TCA084220R0345	-	13	-	36	F8+	100	25
RCC-15	7TCA084220R0346	-	15	-	38	F8+	100	25
RCC-20	7TCA084220R0347	-	20	-	43	F8+	100	25
RCC-25	7TCA084220R0348	-	25	-	48	F8+	100	25



### Type TM-GM – Purlin clips for conduit



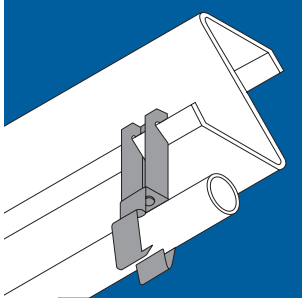
Part No.	ABB order code	T (mm)	ØA (mm)	ØB (mm)	C (mm)	D (mm)	PG type	Load rating (kg)	Material finishes	Quantity (pieces)
TM03-GM1219	7TCA084030R1824	1-3	12-19	6.5	58	45°	7/9/11	45	F8+	25
TM03-GM1926	7TCA084030R1825	1-3	19-26	6.5	59	45°	13.5/16	45	F8+	25
TM03-GM2632	7TCA084030R1826	1-3	26-32	6.5	70	45°	21	45	F8+	25
TM03-GM3240	7TCA084030R1827	1-3	32-40	6.5	74	45°	29	45	F8+	25
TM03-GM4047	7TCA084030R1828	1-3	40-47	6.5	80	45°	36	45	F8+	25
TM03-GM4757	7TCA084030R1829	1-3	47-57	6.5	80	45°	36/42	45	F8+	25



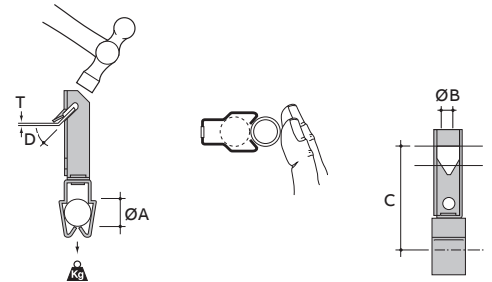
## Conduit

Type TM-JM & FH-GM – Purlin clips for conduit & girder clamps for conduit

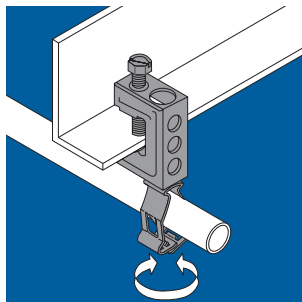
### Type TM-JM – Purlin clips for conduit



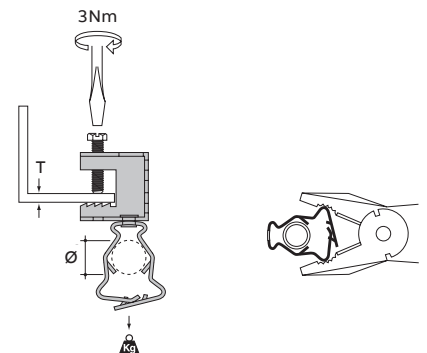
Part No.	ABB order code	T (mm)	ØA (mm)	ØB (mm)	C (mm)	D (mm)	PG type	Load	Material finishes	Quantity (pieces)
								rating (kg)		
TM03-JM1825	7TCA084030R1830	1-3	18-22	6.5	63	45°	11/13.5/16	11	F8+	25
TM03-JM2229	7TCA084030R1831	1-3	22-29	6.5	64	45°	13.5/21	11	F8+	25
TM03-JM2933	7TCA084030R1832	1-3	29-33	6.5	69	45°	-	11	F8+	25



### Type FH-GM – Girder clips for conduit



Part No.	ABB order code	T (mm)	ØA (mm)	PG type	Load rating	Material finishes	Quantity (pieces)
FH65-GM1219	7TCA084030R1251	Max 18	12-19	7/9/11	45	F8+	25
FH65-GM1926	7TCA084030R1253	Max 18	19-26	13.5/16	45	F8+	25
FH65-GM2632	7TCA084030R1254	Max 18	26-32	21	45	F8+	25
FH65-GM3240	7TCA084030R1256	Max 18	32-40	29	45	F8+	25
FH65-GM4047	7TCA084030R1258	Max 18	40-47	36	45	F8+	25
FH65-GM4757	7TCA084030R1260	Max 18	47-57	36/42	45	F8+	25



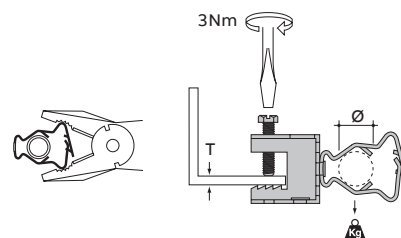
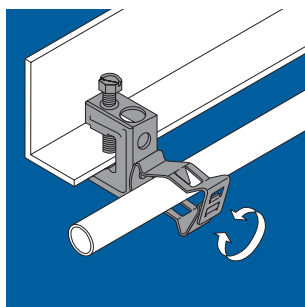


## Conduit

### Type FH-GM & FH-JM – Girder clamps for conduit

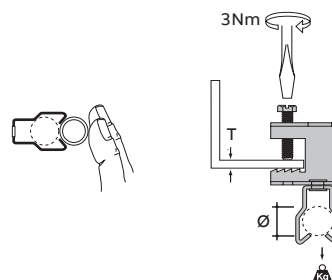
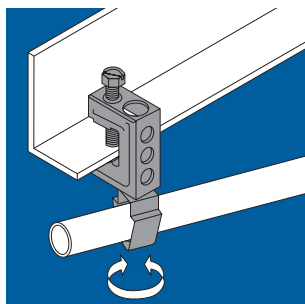
#### Type FH-GM – Girder clamps for conduit

Part No.	ABB order code	T (mm)	Ø (mm)	PG type	Load rating (kg)	Material finishes	Quantity (pieces)
FH107-GM1219	7TCA084030R1234	Max 18	12-19	7/9/11	12	F8+	25
FH107-GM1926	7TCA084030R1236	Max 18	19-26	13.5/16	12	F8+	25
FH107-GM2632	7TCA084030R1238	Max 18	26-32	21	12	F8+	25
FH107-GM3240	7TCA084030R1240	Max 18	32-40	29	12	F8+	25
FH107-GM4047	7TCA084030R1242	Max 18	40-47	36	12	F8+	25
FH107-GM4757	7TCA084030R1925	Max 18	47-57	36/42	12	F8+	25



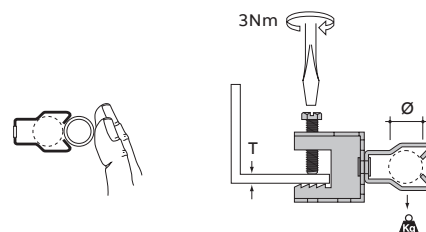
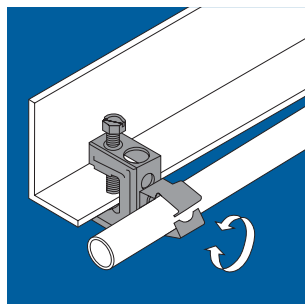
#### Type FH-JM – Girder clamps for conduit

Part No.	ABB order code	T (mm)	Ø (mm)	PG type	Load rating (kg)	Material finishes	Quantity (pieces)
FH65-JM1825	7TCA084030R1262	Max 18	18-22	11/13.5/16	11	F8+	25
FH65-JM2229	7TCA084030R1264	Max 18	22-29	13.5/21	11	F8+	25
FH65-JM2933	7TCA084030R1266	Max 18	29-33	-	11	F8+	25



#### Type FH-JM – Girder clamps for conduit

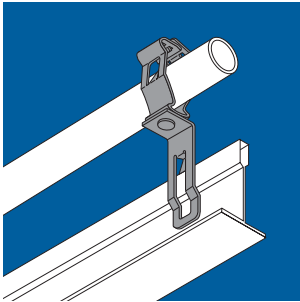
Part No.	ABB order code	T (mm)	Ø (mm)	PG type	Load rating (kg)	Material finishes	Quantity (pieces)
FH107-JM1825	7TCA084030R1245	Max 18	18-22	11/13.5/16	7	F8+	25
FH107-JM2229	7TCA084030R1247	Max 18	22-29	13.5/21	7	F8+	25
FH107-JM2933	7TCA084030R1249	Max 18	29-33	-	7	F8+	25



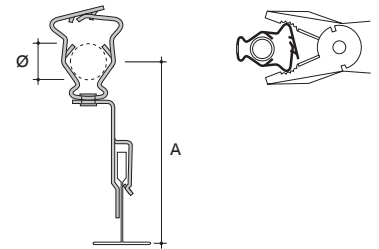
## Conduit

### Type PM-GM & GM-GM – T-bar clips & clips for conduit

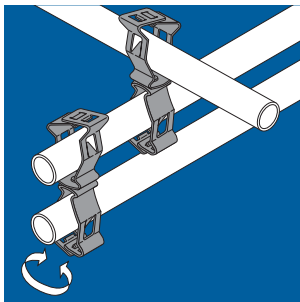
#### Type FH-GM – Girder clamps for conduit



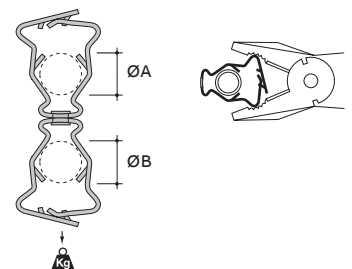
Part No.	ABB order code	Ø (mm)	A (mm)	PG type	Load rating (kg)	Material finishes	Quantity (pieces)
PMB65-GM1219	7TCA084030R1685	12-19	74	7/9/11	F8+	25	25
PMB65-GM1926	7TCA084030R1687	19-26	75	13.5/16	F8+	25	25
PMB65-GM2632	7TCA084030R1908	26-32	86	21	F8+	25	25
PMB65-GM3240	7TCA084030R1926	32-40	90	29	F8+	25	25
PMB65-GM4047	7TCA084030R1927	40-47	92	36	F8+	25	25
PMB65-GM4757	7TCA084030R1692	47-57	90	36/42	F8+	25	25



#### Type EH-GM & EH-JM – Girder clips for conduit



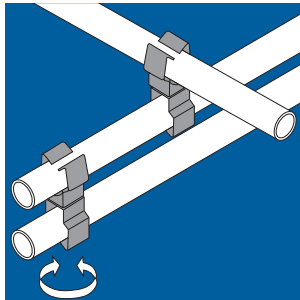
Part No.	ABB order code	T (mm)	Ø (mm)	PG type	Load rating (kg)	Material finishes	Quantity (pieces)
GM1219-GM1926	7TCA084030R1320	12-19	19-26	13.5/16	45	F8+	25
GM1219-GM2632	7TCA084030R1322	12-19	26-32	21	45	F8+	25
GM1219-GM3240	7TCA084030R1928	12-19	32-40	29	45	F8+	25
GM1219-GM4047	7TCA084030R1929	12-19	40-47	36	45	F8+	25
GM1219-GM4757	7TCA084030R1326	12-19	47-57	36/42	45	F8+	25
GM1926-GM1926	7TCA084030R1328	19-26	19-26	13.5/16	45	F8+	25
GM1926-GM2632	7TCA084030R1330	19-26	26-32	21	45	F8+	25
GM1926-GM3240	7TCA084030R1332	19-26	32-40	29	45	F8+	25
GM1926-GM4047	7TCA084030R1334	19-26	40-47	36	45	F8+	25
GM1926-GM4757	7TCA084030R1336	19-26	47-57	36/42	45	F8+	25
GM2632-GM2632	7TCA084030R1338	26-32	26-32	21	45	F8+	25
GM2632-GM3240	7TCA084030R1340	26-32	32-40	29	45	F8+	25
GM2632-GM4047	7TCA084030R1342	26-32	40-47	36	45	F8+	25
GM2632-GM4757	7TCA084030R1344	26-32	47-57	36/42	45	F8+	25
GM3240-GM3240	7TCA084030R1346	32-40	32-40	29	45	F8+	25
GM3240-GM4047	7TCA084030R1930	32-40	40-47	36	45	F8+	25
GM3240-GM4757	7TCA084030R1349	32-40	47-57	36/42	45	F8+	25
GM4047-GM4047	7TCA084030R1931	40-47	40-47	36	45	F8+	25
GM4047-GM4757	7TCA084030R1932	40-47	47-57	36/42	45	F8+	25
GM4757-GM4757	7TCA084030R1352	47-57	47-57	36/42	45	F8+	25



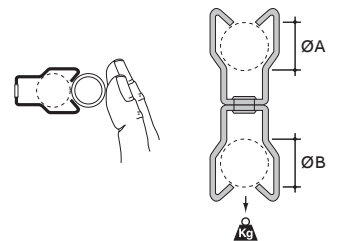
## Conduit

Type JM-JM, YHR & SSYHR – Clips for conduit to conduit & girder clamps for conduit

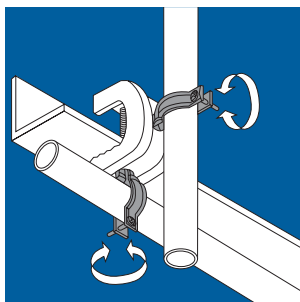
### Type JM-JM – Clips for conduit to conduit



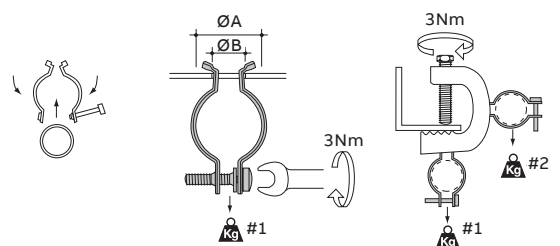
Part No.	ABB order code	T (mm)	Ø (mm)	A (mm)	Load rating (kg)	Material finishes	Quantity (pieces)
JM1825-JM1825	7TCA084030R1463	18-22	18-22	11/13.5/16	11	F8+	25
JM1825-JM2229	7TCA084030R1465	18-22	22-29	16/21	11	F8+	25
JM1825-JM2933	7TCA084030R1467	18-22	29-33	-	11	F8+	25
JM2229-JM2229	7TCA084030R1468	22-29	22-29	16/21	11	F8+	25
JM2229-JM2933	7TCA084030R1470	22-29	29-33	-	11	F8+	25
JM2933-JM2933	7TCA084030R1472	29-33	29-33	-	11	F8+	25



### Type YHR & SSYHR – Girder clamps for conduit



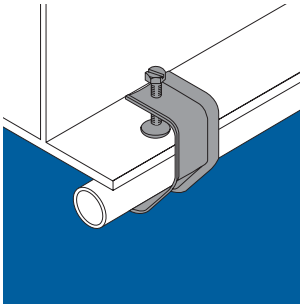
Part No.	ABB order code	ØA (mm)	ØB (mm)	PG type	Load rating #1 (mm)	Load rating #2 (mm)	Material finishes	Quantity (pieces)
YHR-1618	7TCA084220R0564	16-18	14	11	40	15	F2	100
YHR-1821	7TCA084220R0566	18-21	14	13.5/16	40	15	F2	100
YHR-2427	7TCA084220R0568	24-27	14	21	40	15	F2	100
YHR-3034	7TCA084220R0570	30-34	14	29	40	15	F2	50
YHR-3438	7TCA084220R0572	34-38	14	29	40	15	F2	50
YHR-4751	7TCA084220R0574	47-51	14	36	40	15	F2	50
YHR-5963	7TCA084220R0576	59-63	14	48	40	15	F2	25
SSYHR-1618	7TCA084220R0461	16-18	14	11	40	15	F3	100
SSYHR-1821	7TCA084220R0462	18-21	14	13.5/16	40	15	F3	100
SSYHR-2427	7TCA084220R0464	24-27	14	21	40	15	F3	100
SSYHR-3034	7TCA084220R0466	30-34	14	29	40	15	F3	50
SSYHR-3438	7TCA084220R0468	34-38	14	29	40	15	F3	50
SSYHR-4751	7TCA084220R0470	47-51	14	36	40	15	F3	50
SSYHR-5963	7TCA084220R0472	59-63	14	48	40	15	F3	25



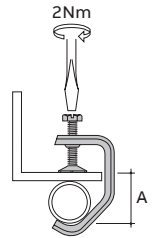
## Conduit

### Type ECH & RA – Girder clips for conduit or pipe

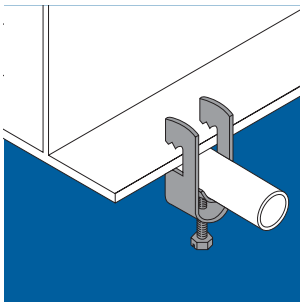
#### Type ECH – Girder clips for conduit or pipe



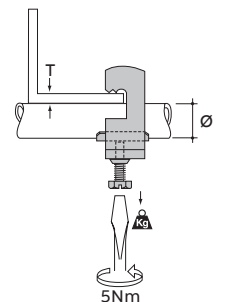
Part No.	ABB order code	A (mm)	Material finishes	Quantity (pieces)
ECH-33	7TCA084220R0140	33	F2	25
ECH-37	7TCA084220R0141	37	F2	25
ECH-41	7TCA084220R0143	41	F2	25
ECH-45	7TCA084220R0144	45	F2	25
ECH-49	7TCA084220R0146	49	F2	25
ECH-53	7TCA084220R0148	53	F2	25



#### Type RA – Girder clips for conduit or pipe



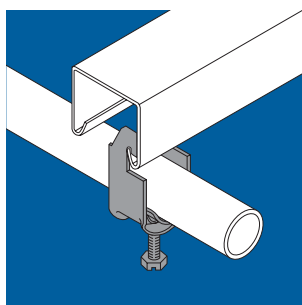
Part No.	ABB order code	T (mm)	Ø (mm)	Load rating (kg)	Material finishes	Quantity (pieces)
RA-0612	7TCA084220R0328	Max 12	6-12	60	F2	25
RA-1216	7TCA084220R0329	Max 12	12-16	60	F2	25
RA-1418	7TCA084220R0330	Max 12	14-18	60	F2	25
RA-1822	7TCA084220R0331	Max 12	18-22	60	F2	25
RA-2226	7TCA084220R0332	Max 12	22-26	80	F2	25
RA-2630	7TCA084220R0333	Max 12	26-30	80	F2	25
RA-3034	7TCA084220R0334	Max 12	30-34	80	F2	25
RA-3438	7TCA084220R0335	Max 12	34-38	100	F2	25
RA-3842	7TCA084220R0336	Max 12	38-42	100	F2	25
RA-4246	7TCA084220R0337	Max 12	42-46	100	F2	25
RA-5054	7TCA084220R0338	Max 12	50-54	100	F2	25
RA-5458	7TCA084220R0339	Max 12	54-58	100	F2	25



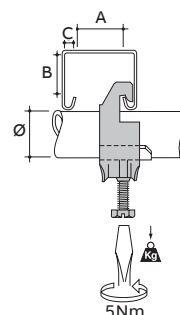
## Conduit

Type S & H – Girder clamps for conduit or pipe

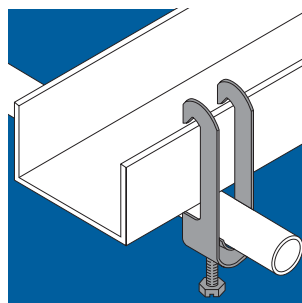
### Type S – Girder clamps for conduit or pipe



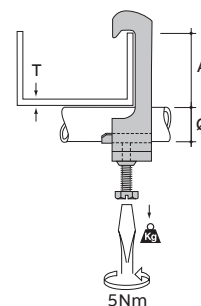
Part No.	ABB order code	A (mm)	B (mm)	C (mm)	Ø (mm)	Load rating (kg)	Material finishes	Quantity (pieces)
S-0612	7TCA084220R0580	Min 18	>10	10	6-12	60	F2	25
S-1014	7TCA084220R0581	Min 18	>10	10	9-14	60	F2	25
S-1216	7TCA084220R0352	Min 18	>10	10	12-16	60	F2	25
S-1418	7TCA084220R0353	Min 18	>10	10	14-18	60	F2	25
S-1822	7TCA084220R0355	Min 18	>10	10	18-22	60	F2	25
S-2226	7TCA084220R0358	Min 18	>10	10	22-26	80	F2	25
S-2630	7TCA084220R0360	Min 18	>10	10	26-30	80	F2	25
S-3034	7TCA084220R0361	Min 18	>10	10	30-34	80	F2	25
S-3438	7TCA084220R0362	Min 18	>10	10	34-38	100	F2	25
S-3842	7TCA084220R0363	Min 18	>10	10	38-42	100	F2	25
S-4246	7TCA084220R0364	Min 18	>10	10	42-46	100	F2	25
S-4650	7TCA084220R0365	Min 18	>10	10	46-50	100	F2	25
S-5054	7TCA084220R0366	Min 18	>10	10	50-54	100	F2	25
S-5458	7TCA084220R0367	Min 18	>10	10	54-58	100	F2	25



### Type H – Girder clamps for conduit or pipe



Part No.	ABB order code	T (mm)	Ø (mm)	A (mm)	Load rating (kg)	Material finishes	Quantity (pieces)
H-0612	7TCA084220R0165	Max 6	6-12	Max 40	80	F2	25
H-1822	7TCA084220R0166	Max 6	18-22	Max 40	80	F2	25
H-2226	7TCA084220R0167	Max 6	22-26	Max 40	80	F2	25
H-2630	7TCA084220R0168	Max 6	26-30	Max 40	80	F2	25
H-3034	7TCA084220R0169	Max 6	30-34	Max 40	80	F2	25
H-3842	7TCA084220R0170	Max 6	38-42	Max 40	100	F2	25
H-5864	7TCA084220R0171	Max 6	58-64	Max 40	100	F2	25



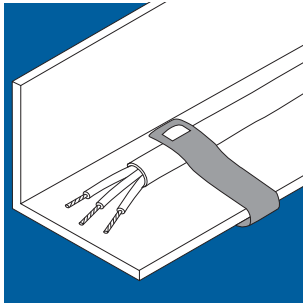




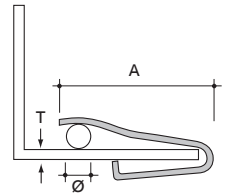
## Cable

Type LM, GH & AH-B – Girder clips for single & multiple cables

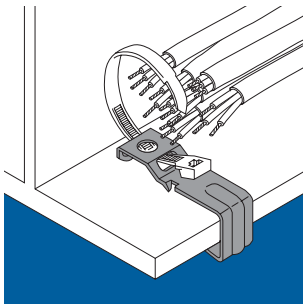
### Type LM – Girder clips for single cable



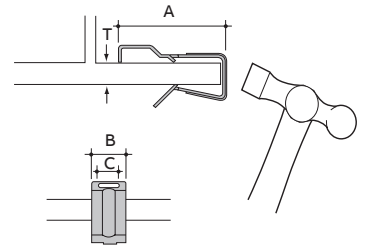
Part No.	ABB order code	T (mm)	Ø (mm)	A (mm)	Material finishes	Quantity (pieces)
LM-38	7TCA084030R1492	3-5	6-16	46	F8+	100
LM-38	7TCA084030R1492	5-8	3-10	46	F8+	100
LM-811	7TCA084030R1495	8-9	7-20	46	F8+	100
LM-811	7TCA084030R1495	10-11	7-12	46	F8+	100



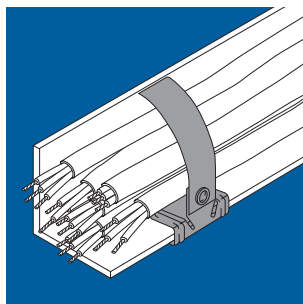
### Type GH – Girder clips for multiple cables



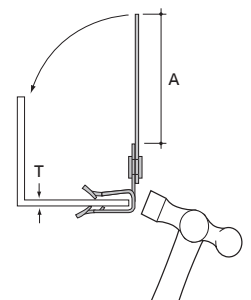
Part No.	ABB order code	T (mm)	A (mm)	B (mm)	C (mm)	Material finishes	Quantity (pieces)
GH-310	7TCA084030R1298	3-10	52	16	10	F8+	100
GH-1018	7TCA084030R1294	10-18	52	16	10	F8+	100



### Type AH – Girder clips for multiple cables



Part No.	ABB order code	T (mm)	A (mm)	Material finishes	Quantity (pieces)
AH153-B	7TCA084030R0527	1.5-3	65	F8+	25
AH38-B	7TCA084030R0574	3-8	58	F8+	25
AH814-B	7TCA084030R0634	8-14	58	F8+	25
AH1420-B	7TCA084030R0472	14-20	58	F8+	25

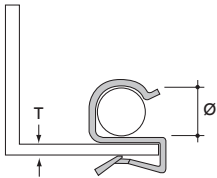
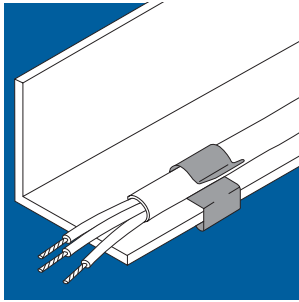


## Cable

### Type ECS, ECM, ECL & ECA – Girder clips for single cable

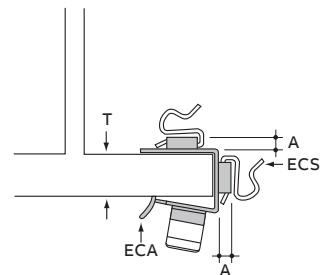
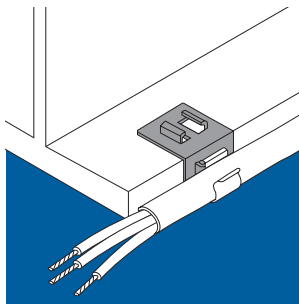
#### Type ECS, ECM & ECL – Girder clips for single cable

Part No.	ABB order code	T (mm)	Ø (mm)	Material finishes	Quantity (pieces)
ECS-4555	7TCA084030R1073	2-4	4.5-5.5	F8+	100
ECS-67	7TCA084030R1075	2-4	6-7	F8+	100
ECS-89	7TCA084030R1080	2-4	8-9	F8+	100
ECS-1011	7TCA084030R1049	2-4	10-11	F8+	100
ECS-1214	7TCA084030R1054	2-4	12-14	F8+	100
ECS-1519	7TCA084030R1059	2-4	15-18	F8+	100
ECS-2024	7TCA084030R1064	2-4	19-24	F8+	100
ECS-2532	7TCA084030R1069	2-4	25-32	F8+	100
ECM-4555	7TCA084030R1037	4-7	4.5-5.5	F8+	100
ECM-67	7TCA084030R1039	4-7	06-7	F8+	100
ECM-89	7TCA084030R1044	4-7	8-9	F8+	100
ECM-1011	7TCA084030R1015	4-7	10-11	F8+	100
ECM-1214	7TCA084030R1019	4-7	12-14	F8+	100
ECM-1519	7TCA084030R1024	4-7	15-18	F8+	100
ECM-2024	7TCA084030R1029	4-7	19-24	F8+	100
ECM-2532	7TCA084030R1034	4-7	25-32	F8+	100
ECL-4555	7TCA084030R1004	8-12	4.5-5.5	F8+	100
ECL-67	7TCA084030R1006	8-12	6-7	F8+	100
ECL-89	7TCA084030R1010	8-12	08-9	F8+	100
ECL-1011	7TCA084030R0980	8-12	10-11	F8+	100
ECL-1214	7TCA084030R0985	8-12	12-14	F8+	100
ECL-1519	7TCA084030R0990	8-12	15-18	F8+	100
ECL-2024	7TCA084030R0995	8-12	19-24	F8+	100
ECL-2532	7TCA084030R1000	8-12	25-32	F8+	100



#### Type ECA – Girder clips for single cable

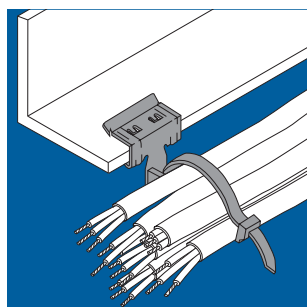
Part No.	ABB order code	T (mm)	A (mm)	Material finishes	Quantity (pieces)
ECA-1215	7TCA084030R0971	12-15	2-4	F8+	100
ECA-1520	7TCA084030R0975	15-20	2-4	F8+	100



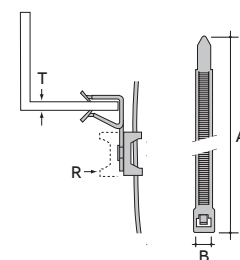
## Cable

Type AH-CT, AH-M & AH-MR – Girder clips, mounting base & cable tie for cable bundle

### Type AH-CT – Girder clips, mounting base & cable tie for cable bundle

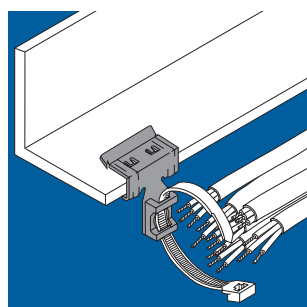


Part No.	ABB order code	T (mm)	B (mm)	B (mm)	Material finishes	Quantity (pieces)
AH153-CT2	7TCA084030R0537	1.5-3	200	7.6	F8+1	25
AH153-CT2R	7TCA084030R0540	1.5-3	200	7.6	F8+1	25
AH153-CT4	7TCA084030R0542	1.5-3	370	7.6	F8+1	25
AH38-CT2	7TCA084030R0586	3-8	200	7.6	F8+1	25
AH38-CT2R	7TCA084030R0588	3-8	200	7.6	F8+1	25
AH38-CT4	7TCA084030R0590	3-8	370	7.6	F8+1	25
AH814-CT2	7TCA084030R0644	8-14	200	7.6	F8+1	25
AH814-CT2R	7TCA084030R0646	8-14	200	7.6	F8+1	25
AH814-CT4	7TCA084030R0648	8-14	370	7.6	F8+1	25
AH1420-CT2	7TCA084030R0481	14-20	200	7.6	F8+1	25
AH1420-CT2R	7TCA084030R0483	14-20	200	7.6	F8+1	25
AH1420-CT4	7TCA084030R0485	14-20	370	7.6	F8+1	25

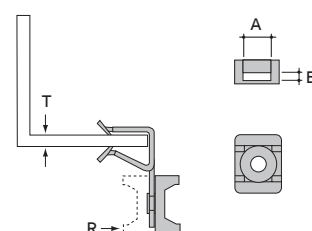


\* Mounting bases and cable ties are made of Polyamide 6.6.

### Type AH-M & AH-MR – Girder clips & mounting base for cable bundles



Part No.	ABB order code	T (mm)	B (mm)	B (mm)	Material finishes	Quantity (pieces)
AH153-M	7TCA084030R0556	1.5-3	9	3.5	F8+	25
AH153-MR	7TCA084030R0559	1.5-3	9	3.5	F8+	25
AH38-M	7TCA084030R0616	3-8	9	3.5	F8+	25
AH38-MR	7TCA084030R0619	3-8	9	3.5	F8+	25
AH814-M	7TCA084030R0675	8-14	9	3.5	F8+	25
AH814-MR	7TCA084030R0679	8-14	9	3.5	F8+	25
AH1420-M	7TCA084030R0510	14-20	9	3.5	F8+	25
AH1420-MR	7TCA084030R0513	14-20	9	3.5	F8+	25



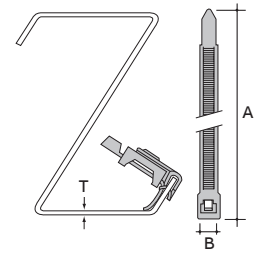
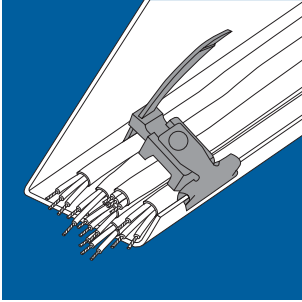
Cable tie not included. Ty-Rap® offers a range of cable ties suitable for use with E-Klips products, please contact your local distributor for further information.

## Cable

Type AH-CT & AV-CT – Girder & purlin clips, mounting base & cable tie for cable bundles

### Type AH-CT – Girder clips & mounting base for cable bundles

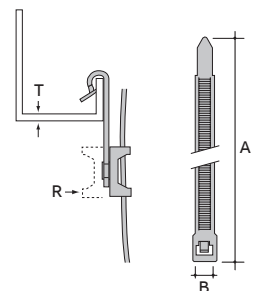
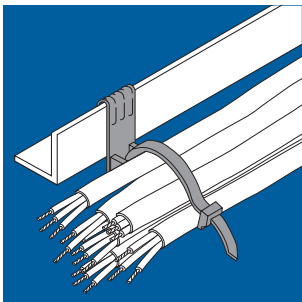
Part No.	ABB order code	T (mm)	A (mm)	B (mm)	Material finishes	Quantity (pieces)
AH153-CT2R	7TCA084030R0540	1.5-3	200	7.6	F8+*	25



\* Mounting bases and cable ties are made of Polyamide 6.6.

### Type AV-CT – Purlin clips, mounting base & cable tie for cable bundles

Part No.	ABB order code	T (mm)	A (mm)	B (mm)	Material finishes	Quantity (pieces)
AV155-CT2	7TCA084030R0766	1.5-4	200	7.6	F8+*	25
AV155-CT2R	7TCA084030R0768	1.5-4	200	7.6	F8+*	25
AV155-CT4	7TCA084030R0770	1.5-4	370	7.6	F8+*	25
AV57-CT2	7TCA084030R0813	4.5-7	200	7.6	F8+*	25
AV57-CT2R	7TCA084030R1921	4.5-7	200	7.6	F8+*	25
AV57-CT4	7TCA084030R1920	4.5-7	370	7.6	F8+*	25



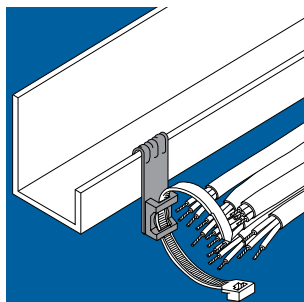
\* Mounting bases and cable ties are made of Polyamide 6.6.



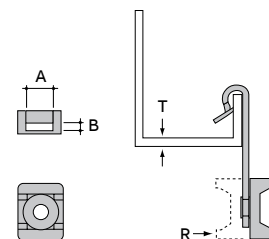
## Cable

Type AV-M, AV-MR, SM-M & SM-MR – Purlin clips & mounting base for cable bundles

### Type AV-M & AV-MR – Purlin clips & mounting base for cable bundles

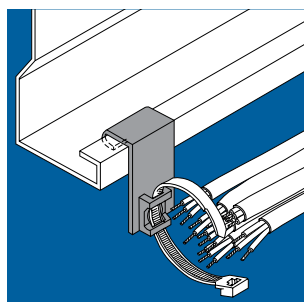


Part No.	ABB order code	T (mm)	A (mm)	Ø (mm)	Material finishes	Quantity (pieces)
AV155-M	7TCA084030R0788	1.5-4	9	3.5	F8+	25
AV155-MR	7TCA084030R0791	1.5-4	9	3.5	F8+	25
AV57-M	7TCA084030R0825	4.5-7	9	3.5	F8+	25
AV57-MR	7TCA084030R1919	4.5-7	9	3.5	F8+	25

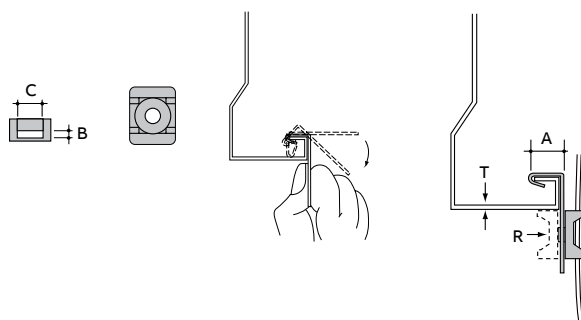


Cable tie not included. Ty-Rap® offers a range of cable ties suitable for use with E-Klips products, please contact your local distributor for further information.

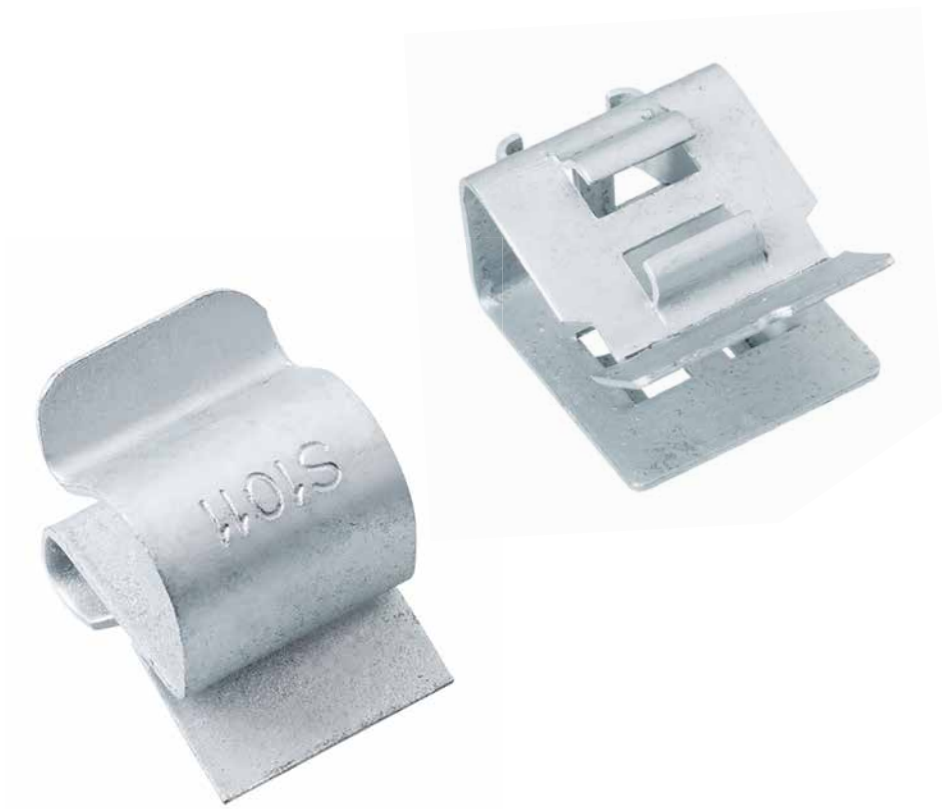
### Type SM-M & SM-MR – Purlin clips & mounting base for cable bundles



Part No.	ABB order code	T (mm)	A (mm)	B (mm)	C (mm)	Material finishes	Quantity (pieces)
SM125-M	7TCA084030R1779	≤3.0	9	3.5	12.5	F2	25
SM125-MR	7TCA084030R1918	≤3.0	9	3.5	12.5	F2	25



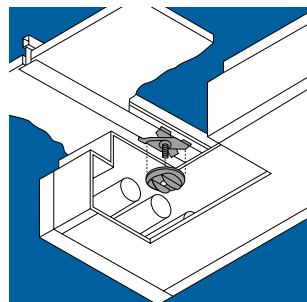
Cable tie not included. Ty-Rap® offers a range of cable ties suitable for use with E-Klips products, please contact your local distributor for further information.



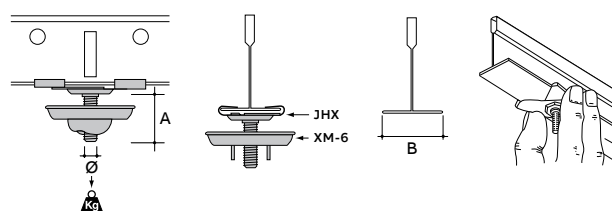
## Ceiling

### Type JHX, JH, LH & KH – Suspended ceiling clips

#### Type JHX & JH – Suspended ceiling clips

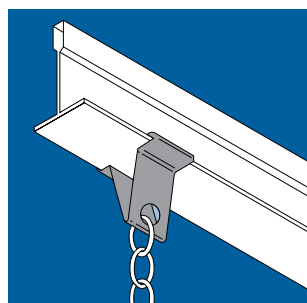


Part No.	ABB order code	Ø (mm)	A (mm)	B (mm)	Load rating (kg)	Material finishes	Quantity (pieces)
JHX-16SW	7TCA084030R1445	M6	16	25	9	F4	100
JHX-16S	7TCA084030R1441	M6	16	25	22	F8+	100
JHX-38S	7TCA084030R1446	M6	38	25	22	F8+	100
JH-15SW	7TCA084220R0181	M6	15	15	22	F4	100

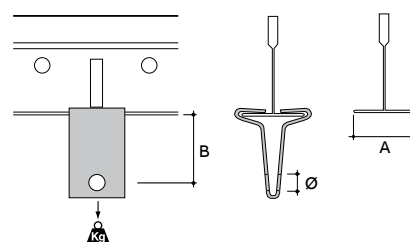


JH-15SW in White.

#### Type LH – Suspended ceiling clips

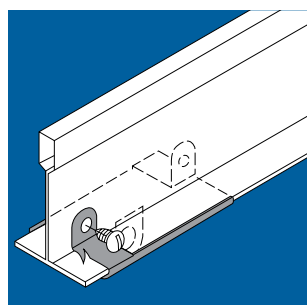


Part No.	ABB order code	Ø (mm)	A (mm)	B (mm)	Load rating (kg)	Material finishes	Quantity (pieces)
LH-25	7TCA084030R1485	7	25	20	18	F1	100
LH-25W	7TCA084030R1490	7	25	20	18	F4	100

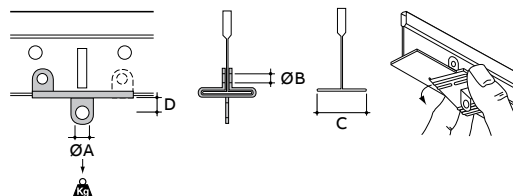


LH-25W in White.

#### Type KH – Suspended ceiling clips



Part No.	ABB order code	ØA (mm)	ØB (mm)	C (mm)	D (mm)	Load rating (kg)	Material finishes	Quantity (pieces)
KH-6W	7TCA084030R1478	6	3	25	7	22	F4	100

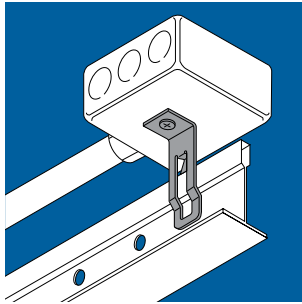


KH-6W in White.

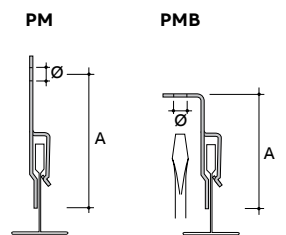
## Ceiling

Type PMB & PM – T-bar clips for conduit box

Type PMB & PM – T-bar clips for conduit box



Part No.	ABB order code	Ø (mm)	A (mm)	Material finishes	Quantity (pieces)
PMB-6T	7TCA084030R1683	M6	59	F8+	100
PMB-65	7TCA084030R1681	6.5	59	F8+	100
PM-6T	7TCA084030R1668	M6	71	F8+	100
PM-65	7TCA084030R1666	6.5	71	F8+	100

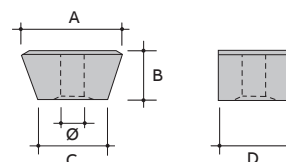
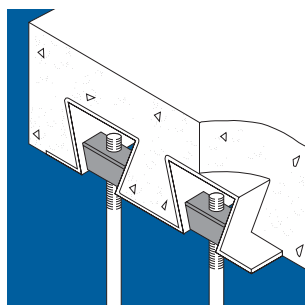


## Decking

Type WN, NH, NH-AM & NH-YM – Wedge nuts & decking clips

### Type WN – Wedge nuts

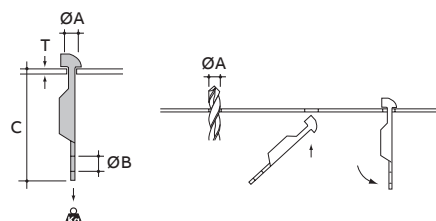
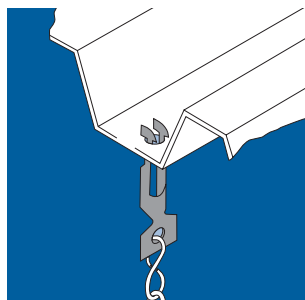
Part No.	ABB order code	Ø (mm)	A (mm)	B (mm)	C (mm)	D (mm)	Load rating (kg)	Material finishes	Quantity (pieces)
WN6	7TCA084220R0547	M6	25	13	19	12	20	F1	100
WN8	7TCA084220R0549	M8	25	13	19	12	36	F1	100
WN10	7TCA084220R0543	M10	25	13	19	12	58	F1	100



We are unable to provide any information about the load capacities of Holoribdecking and the behaviour of wedge nuts in the slots of 'V' profiles when loads are applied.

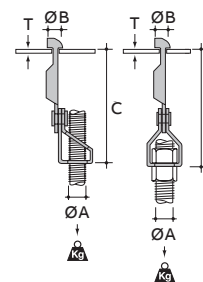
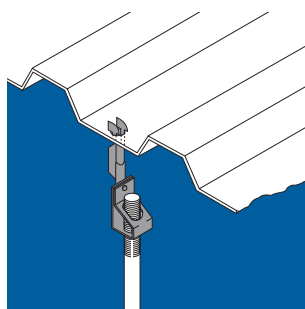
### Type NH – Decking clips for chain & wire

Part No.	ABB order code	T (mm)	ØA (mm)	ØB (mm)	C (mm)	Load rating (kg)	Material finishes	Quantity (pieces)
NH-083	7TCA084030R1521	0.8-2	7	6.5	45	45	F8+	100
		2-3	7	6.5	45	90	F8+	100



### Type NH-AM & NH-YM – Decking clips for threaded rod

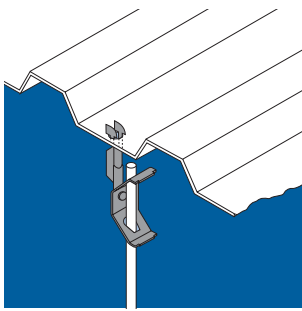
Part No.	ABB order code	T (mm)	ØA (mm)	ØB (mm)	C (mm)	Load rating (kg)	Material finishes	Qty. (pieces)
NH083-AM127	7TCA084030R1525	0.8-2	12.7	7	74	45	F8+	25
		2-3	12.7	7	74	68	F8+	25
NH083-AM6T	7TCA084030R1527	0.8-2	M6	7	74	45	F8+	25
		2-3	M6	7	74	68	F8+	25
NH083-AM8T	7TCA084030R1529	0.8-2	M8	7	74	45	F8+	25
		2-3	M8	7	74	68	F8+	25
NH083-AM10T	7TCA084030R1523	0.8-2	M10	7	74	45	F8+	25
		2-3	M10	7	74	68	F8+	25
NH083-YM127	7TCA084030R1537	0.8-2	12.7	7	76	45	F8+	25
		2-3	12.7	7	76	90	F8+	25



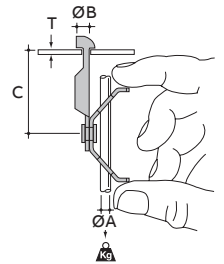
# Decking

Type NH-BM, DWH & DMH – Decking clips for rod & threaded rod

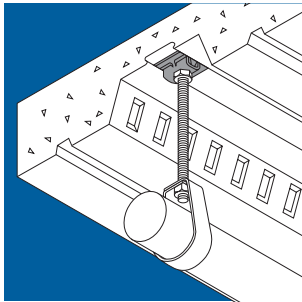
## Type NH-BM – Decking clips for threaded rod



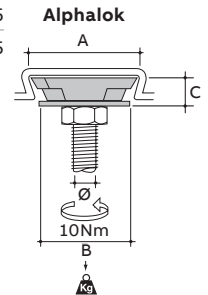
Part No.	ABB order code	T (mm)	ØA (mm)	ØB (mm)	C (mm)	Load rating (kg)	Material finishes	Quantity (pieces)
NH083-BM6	7TCA084030R1534	0.8-2	6	7	45	45	F8+	25
		2-3	6	7	45	90	F8+	25
NH083-BM8	7TCA084030R1535	0.8-2	8	7	45	45	F8+	25
		2-3	8	7	45	90	F8+	25
NH083-BM10	7TCA084030R1531	0.8-2	10	7	45	45	F8+	25
		2-3	10	7	45	90	F8+	25



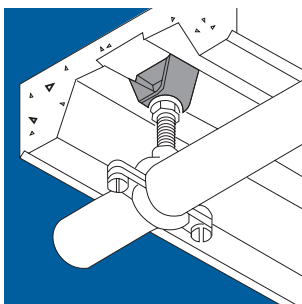
## Type DWH – Decking clips for threaded rod



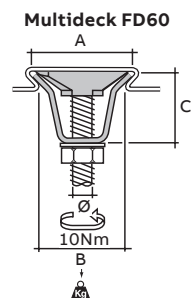
Part No.	ABB order code	A (mm)	B (mm)	C (mm)	Ø (mm)	Load rating (kg)	Material finishes	Quantity (pieces)
DWH-6T	7TCA084220R0137	50	40	15	M6	100	F1	25
DWH-8T	7TCA084220R0138	50	40	15	M8	100	F1	25
DWH-10T	7TCA084220R0136	50	40	15	M10	100	F1	25



## Type DMH – Decking clips for threaded rod



Part No.	ABB order code	A (mm)	B (mm)	C (mm)	D (mm)	Load rating (kg)	Material finishes	Quantity (pieces)
DMH-6T	7TCA084220R0132	50	40	34	M6	150	F1	25
DMH-8T	7TCA084220R0133	50	40	34	M8	150	F1	25
DMH-10T	7TCA084220R0131	50	40	34	M10	150	F1	25

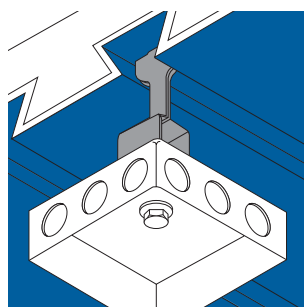




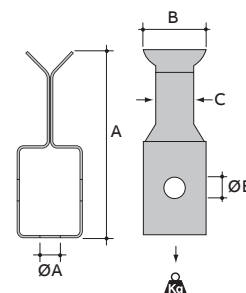
## Decking

Type DH & DH-M – Decking clips for conduit box & threaded rod

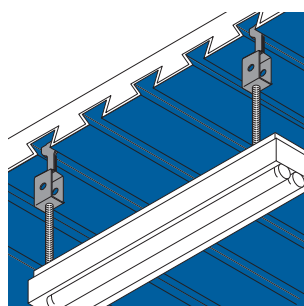
### Type DH – Decking clips for conduit box



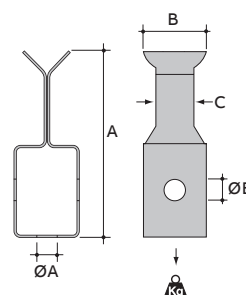
Part No.	ABB order code	ØA (mm)	ØB (mm)	A (mm)	B (mm)	C (mm)	Load rating (kg)	Material finishes	Quantity (pieces)
DH1217-105	7TCA084030R0935	10.5	6.5	60	20	11.5	60	F3	100
DH1217-65	7TCA084030R0936	6.5	6.5	60	20	11.5	60	F3	100
DH1722-105	7TCA084030R0946	10.5	6.5	60	25	16.5	60	F3	100
DH1722-65	7TCA084030R0947	6.5	6.5	60	25	16.5	60	F3	100



### Type DH-M – Decking clips for threaded rod



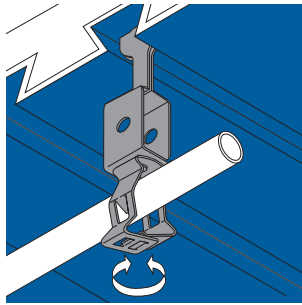
Part No.	ABB order code	ØA (mm)	ØB (mm)	A (mm)	B (mm)	C (mm)	Load rating (kg)	Material finishes	Quantity (pieces)
DH1217-M8	7TCA084030R0945	M8	6.5	60	20	11.5	60	F3	100
DH1217-M10	7TCA084030R0943	M10	6.5	60	20	11.5	60	F3	100
DH1722-M8	7TCA084030R0956	M8	6.5	60	25	16.5	60	F3	100
DH1722-M10	7TCA084030R0954	M10	6.5	60	25	16.5	60	F3	100



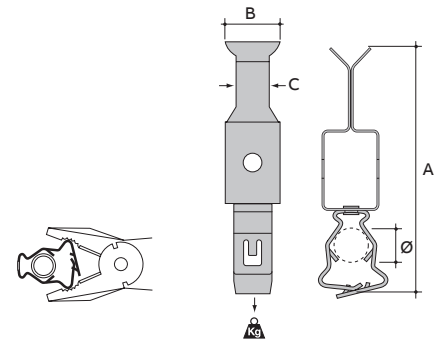
## Decking

Type DH-GM, DH & DHN – Decking clips for conduit & threaded rod

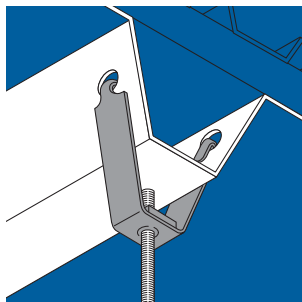
### Type DH-GM – Decking clips for conduit



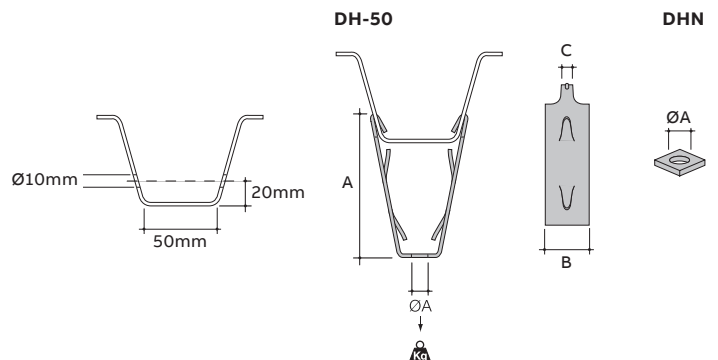
Part No.	ABB order code	Ø (mm)	A (mm)	B (mm)	C (mm)	PG type	Load rating (kg)	Material finishes	Quantity (pieces)
DH1217-GM1219	7TCA084030R0937	12-19	104	20	11.5	7/9/11	45	F3	25
DH1217-GM1926	7TCA084030R0938	19-26	104	20	11.5	13.5/16	45	F3	25
DH1217-GM2632	7TCA084030R0939	26-32	115	20	11.5	21	45	F3	25
DH1217-GM3240	7TCA084030R0940	32-40	128	20	11.5	29	45	F3	25
DH1217-GM4047	7TCA084030R0941	40-47	139	20	11.5	36	45	F3	25
DH1217-GM4757	7TCA084030R0942	47-57	147	20	11.5	36/42	45	F3	25
DH1722-GM1219	7TCA084030R0948	12-19	104	25	16.5	7/9/11	45	F3	25
DH1722-GM1926	7TCA084030R0949	19-26	104	25	16.5	13.5/16	45	F3	25
DH1722-GM2632	7TCA084030R0950	26-32	115	25	16.5	21	45	F3	25
DH1722-GM3240	7TCA084030R0951	32-40	128	25	16.5	29	45	F3	25
DH1722-GM4047	7TCA084030R0952	40-47	139	25	16.5	36	45	F3	25
DH1722-GM4757	7TCA084030R0953	47-57	147	25	16.5	36/42	45	F3	25



### Type DWH – Decking clips for threaded rod



Part No.	ABB order code	ØA (mm)	A (mm)	B (mm)	C (mm)	Load rating (kg)	Material finishes	Quantity (pieces)
DH-50	7TCA084030R0931	10.5	100	30	8	75	F8+	50
DHN-6T*	7TCA084030R0958	M6	-	-	-	75	F7	50
DHN-8T*	7TCA084030R0959	M8	-	-	-	75	F7	50
DHN-10T*	7TCA084030R0957	M10	-	-	-	75	F7	50

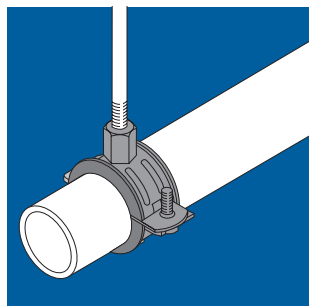


\* Nut only

## Pipe

### Type PCH & PCS – Lined pipe hangers for threaded rod

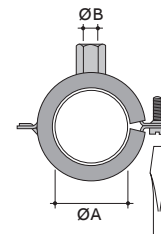
#### Type PCH – Lined pipe hangers for threaded rod



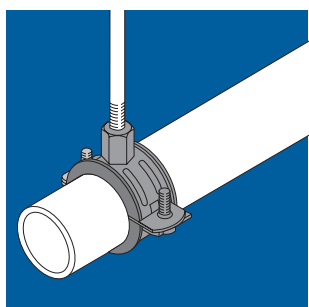
Part No.	ABB order code	ØA (mm)	ØB (mm)	Material finishes	Quantity (pieces)
PCH-1418	7TCA084220R0245	14-18	M8/M10	F1	50
PCH-1618	7TCA084220R0248	16-18	M8/M10	F1	50
PCH-2022	7TCA084220R0250	20-22	M8/M10	F1	50
PCH-2528	7TCA084220R0252	25-28	M8/M10	F1	50
PCH-3335	7TCA084220R0254	33-35	M8/M10	F1	50
PCH-4244	7TCA084220R0256	42-44	M8/M10	F1	25
PCH-4850	7TCA084220R0258	48-50	M8/M10	F1	25
PCH-5254	7TCA084220R0260	52-54	M8/M10	F1	25

#### Approvals

DIN 4109



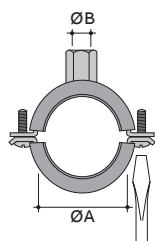
#### Type PCS – Lined pipe hangers for threaded rod



Part No.	ABB order code	ØA (mm)	ØB (mm)	Material finishes	Quantity (pieces)
PCS-1519	7TCA084220R0270	15-19	M8/M10	F1	50
PCS-2025	7TCA084220R0273	20-25	M8/M10	F1	50
PCS-2630	7TCA084220R0276	26-30	M8/M10	F1	50
PCS-3236	7TCA084220R0278	32-36	M8/M10	F1	50
PCS-3843	7TCA084220R0279	38-43	M8/M10	F1	25
PCS-4751	7TCA084220R0280	47-51	M8/M10	F1	25
PCS-5358	7TCA084220R0281	53-58	M8/M10	F1	25
PCS-6064	7TCA084220R0282	60-64	M8/M10	F1	25
PCS-6872	7TCA084220R0283	68-72	M8/M10	F1	25
PCS-7580	7TCA084220R0284	75-80	M8/M10	F1	25
PCS-8186	7TCA084220R0285	81-86	M8/M10	F1	25
PCS-8792	7TCA084220R0286	87-92	M8/M10	F1	25
PCS-99105	7TCA084220R0287	99-105	M8/M10	F1	25
PCS-107112	7TCA084220R0264	107-112	M8/M10	F1	25
PCS-113118	7TCA084220R0265	113-118	M8/M10	F1	25
PCS-125130	7TCA084220R0266	125-130	M8/M10	F1	25
PCS-132137	7TCA084220R0267	132-137	M8/M10	F1	25
PCS-138142	7TCA084220R0268	138-142	M8/M10	F1	25
PCS-148152	7TCA084220R0269	148-152	M8/M10	F1	25
PCS-159166	7TCA084220R0271	159-166	M8/M10	F1	25
PCS-200212	7TCA084220R0272	200-212	M8/M10	F1	25
PCS-215220	7TCA084220R0274	215-220	M8/M10	F1	25
PCS-248252	7TCA084220R0275	248-252	M8/M10	F1	25

#### Approvals

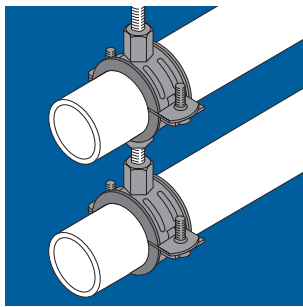
DIN 4109



## Pipe

Type PCSD & PB – Lined & unlined pipe hangers for threaded rod

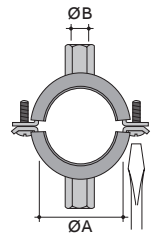
### Type PCSD – Unlined pipe hangers for threaded rod



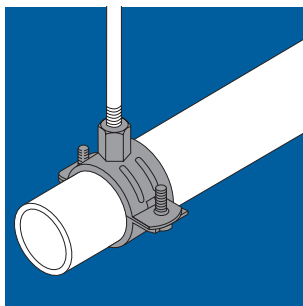
Part No.	ABB order code	ØA (mm)	ØB (mm)	Material finishes	Quantity (pieces)
PCSD-1518	7TCA084220R0290	15-18	M8/M10	F1	50
PCSD-2024	7TCA084220R0292	20-24	M8/M10	F1	50
PCSD-2630	7TCA084220R0293	26-30	M8/M10	F1	50
PCSD-3236	7TCA084220R0294	32-36	M8/M10	F1	50
PCSD-3842	7TCA084220R0295	38-42	M8/M10	F1	25
PCSD-4750	7TCA084220R0296	47-50	M8/M10	F1	25
PCSD-6064	7TCA084220R0297	60-64	M8/M10	F1	25
PCSD-7580	7TCA084220R0298	75-80	M8/M10	F1	25
PCSD-100106	7TCA084220R0288	100-106	M8/M10	F1	25
PCSD-133140	7TCA084220R0289	133-140	M8/M10	F1	25
PCSD-159165	7TCA084220R0291	159-165	M8/M10	F1	25

### Approvals

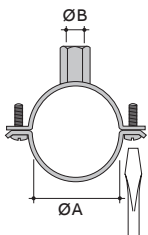
DIN 4109



### Type PB – Unlined pipe hangers for threaded rod



Part No.	ABB order code	ØA (mm)	ØB (mm)	Material finishes	Quantity (pieces)
PB-1519	7TCA084220R0225	15-19	M8/M10	F1	50
PB-2025	7TCA084220R0228	20-25	M8/M10	F1	50
PB-2630	7TCA084220R0230	26-30	M8/M10	F1	50
PB-3236	7TCA084220R0231	32-36	M8/M10	F1	50
PB-3843	7TCA084220R0232	38-43	M8/M10	F1	25
PB-4751	7TCA084220R0233	47-51	M8/M10	F1	25
PB-5358	7TCA084220R0234	53-58	M8/M10	F1	25
PB-6064	7TCA084220R0235	60-64	M8/M10	F1	25
PB-6872	7TCA084220R0237	68-72	M8/M10	F1	25
PB-7580	7TCA084220R0238	75-80	M8/M10	F1	25
PB-8186	7TCA084220R0239	81-86	M8/M10	F1	25
PB-8792	7TCA084220R0240	87-92	M8/M10	F1	25
PB-99105	7TCA084220R0241	99-105	M8/M10	F1	25
PB-107112	7TCA084220R0220	107-112	M8/M10	F1	25
PB-113118	7TCA084220R0221	113-118	M8/M10	F1	25
PB-125130	7TCA084220R0222	125-130	M8/M10	F1	25
PB-138142	7TCA084220R0223	138-142	M8/M10	F1	25
PB-148152	7TCA084220R0224	148-152	M8/M10	F1	25
PB-159166	7TCA084220R0226	159-166	M8/M10	F1	25
PB-200212	7TCA084220R0227	200-212	M8/M10	F1	25
PB-215220	7TCA084220R0229	215-220	M8/M10	F1	25

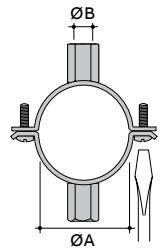
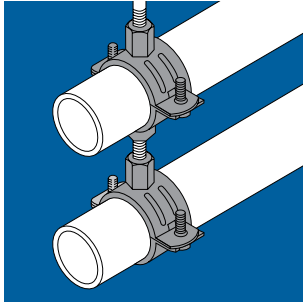


# Pipe

Type PBD & PH – Pipe hangers for threaded rod

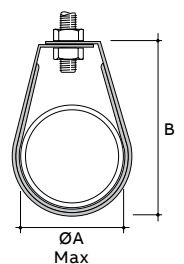
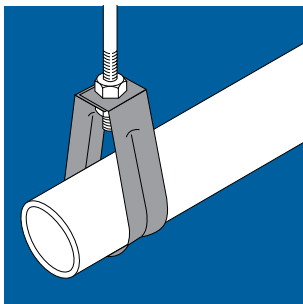
## Type PBD – Unlined pipe hangers for threaded rod

Part No.	ABB order code	ØA (mm)	ØB (mm)	Material finishes	Quantity (pieces)
PBD-2024	7TCA084220R0242	20-24	M8/M10	F1	50



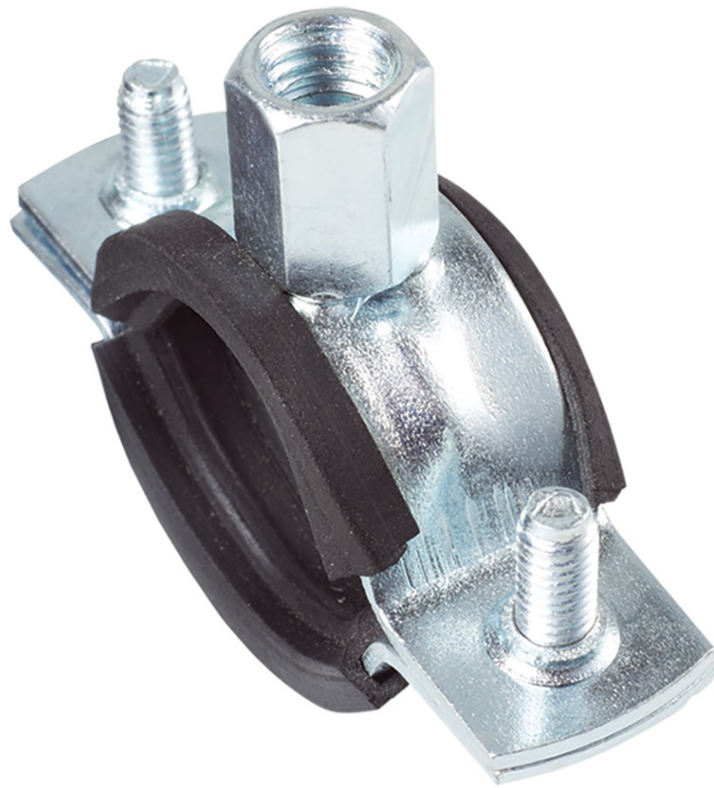
## Type PH – Filbow pipe hangers for threaded rod

Part No.	ABB order code	ØA (mm)	ØB (mm)	Material finishes	Quantity (pieces)
PH-20-FU	7TCA084220R0308	20	64	F2	25
PH-25-FU	7TCA084220R0310	25	72	F2	25
PH-32	7TCA084220R0313	32	83	F2	25
PH-40	7TCA084220R0315	40	96	F2	25
PH-50	7TCA084220R0317	50	113	F2	25
PH-65	7TCA084220R0319	65	132	F2	25
PH-80	7TCA084220R0321	80	156	F2	25
PH-100	7TCA084220R0302	100	215	F2	10
PH-125	7TCA084220R0304	125	242	F2	10
PH-150	7TCA084220R0306	150	279	F2	10



### Approvals



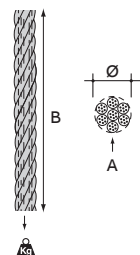
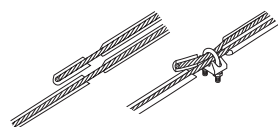
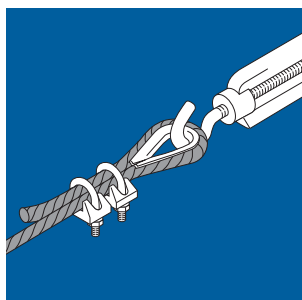


## Suspension

Type CW, SSCW & HW – Catenary wire & suspension plate

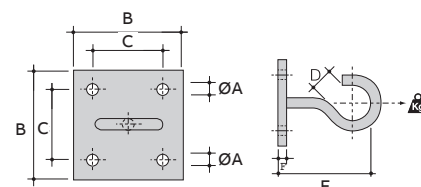
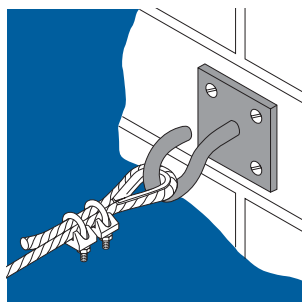
### Type CW & SSCW – Catenary wire

Part No.	ABB order code	Ø (mm)	A (mm)	B (mm)	Load rating (kg)	Material finishes	Quantity (pieces)
CW100-2	7TCA084220R0086	2	7x7	100	80	F2	1
CW30-3	7TCA084220R0100	3	7x7	30	190	F2	1
CW50-3	7TCA084220R0114	3	7x7	50	190	F2	1
CW100-3	7TCA084220R0088	3	7x7	100	190	F2	1
CW30-4	7TCA084220R0106	4	7x7	30	350	F2	1
CW50-4	7TCA084220R0118	4	7x7	50	350	F2	1
CW100-4	7TCA084220R0092	4	7x7	100	350	F2	1
CW30-6	7TCA084220R0109	6	7x7	30	760	F2	1
CW50-6	7TCA084220R0121	6	7x7	50	760	F2	1
CW100-6	7TCA084220R0096	6	7x7	100	760	F2	1
SSCW100-2	7TCA084220R0420	2	7x7	100	80	F3	1
SSCW30-3	7TCA084220R0426	3	7x7	30	190	F3	1
SSCW50-3	7TCA084220R0432	3	7x7	50	190	F3	1
SSCW100-3	7TCA084220R0422	3	7x7	100	190	F3	1
SSCW30-4	7TCA084220R0428	4	7x7	30	350	F3	1
SSCW50-4	7TCA084220R0433	4	7x7	50	350	F3	1
SSCW100-4	7TCA084220R0423	4	7x7	100	350	F3	1
SSCW30-6	7TCA084220R0430	6	7x7	30	760	F3	1
SSCW50-6	7TCA084220R0435	6	7x7	50	760	F3	1
SSCW100-6	7TCA084220R0425	6	7x7	100	760	F3	1
CW30-3PVC	7TCA084220R0103	3	7x7	30	190	F2 + PVC	1
CW50-3PVC	7TCA084220R0116	3	7x7	50	190	F2 + PVC	1
CW100-3PVC	7TCA084220R0090	3	7x7	100	190	F2 + PVC	1
CW30-4PVC	7TCA084220R0107	4	7x7	30	350	F2 + PVC	1
CW50-4PVC	7TCA084220R0120	4	7x7	50	350	F2 + PVC	1
CW100-4PVC	7TCA084220R0094	4	7x7	100	350	F2 + PVC	1
CW30-6PVC	7TCA084220R0111	6	7x7	30	760	F2 + PVC	1
CW50-6PVC	7TCA084220R0123	6	7x7	50	760	F2 + PVC	1
CW100-6PVC	7TCA084220R0098	6	7x7	50	760	F2 + PVC	1



### Type UM – Brackets

Part No.	ABB order code	ØA (mm)	B (mm)	C (mm)	D (mm)	E (mm)	F (mm)	Load rating (kg)	Material finishes	Quantity (pieces)
HW50	7TCA084220R0176	5.5	50	32	8	55	5	25	F2	10

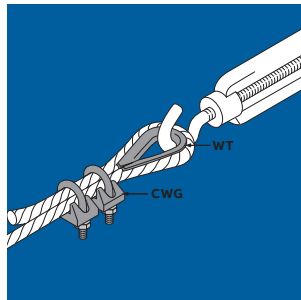




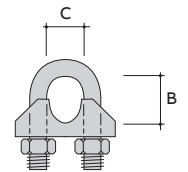
## Suspension

Type CWG, SSCWG, WT, SSWT, CWT & SSCWT – Bull-dog grips, thimbles & tensioner

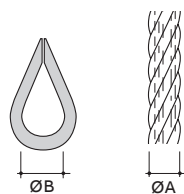
### Type CWG & SSCWG – Bull-dog grips



Part no.	ABB order code	ØA (mm)	B (mm)	C (mm)	Material finishes	Quantity (pieces)
CWG-23	7TCA084220R0125	2-3	Max 9	6.5	F2	25
CWG-4	7TCA084220R0126	4	Max 12	7	F2	25
CWG-6	7TCA084220R0127	6	Max 18	8	F2	25
SSCWG-2	7TCA084220R0437	2	Max 9	6.5	F3	1
SSCWG-3	7TCA084220R0439	3	Max 9	6.5	F3	1
SSCWG-4	7TCA084220R0441	4	Max 12	7	F3	1
SSCWG-6	7TCA084220R0443	6	Max 18	8	F3	1

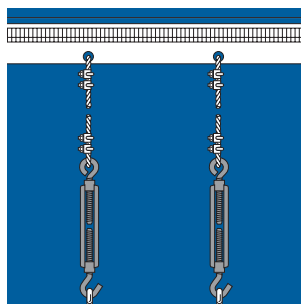


### Type WT & SSWT – Thimbles

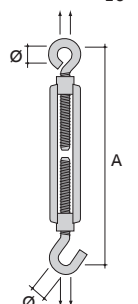


Part No.	ABB order code	ØA (mm)	ØB (mm)	Material finishes	Quantity (pieces)
WT-23	7TCA084220R0551	2-3	10	F2	25
WT-34	7TCA084220R0553	3-4	14	F2	25
WT-6-FU	7TCA084220R0555	6	16	F2	25
SSWT-2	7TCA084220R0449	2	10	F3	1
SSWT-34	7TCA084220R0451	3-4	14	F3	1
SSWT-6	7TCA084220R0453	6	16	F3	1

### Type CWT & SSCWT – Tensioner for catenary wire



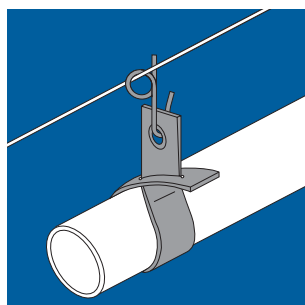
Part No.	ABB order code	Ø (mm)	A (mm)	Material finishes	Quantity (pieces)
CWT-23	7TCA084220R0128	10	155-245	F2	10
CWT-46	7TCA084220R0129	12	230-325	F2	10
SSCWT-23	7TCA084220R0445	10	155-245	F3	10
SSCWT-46	7TCA084220R0447	12	230-325	F3	10



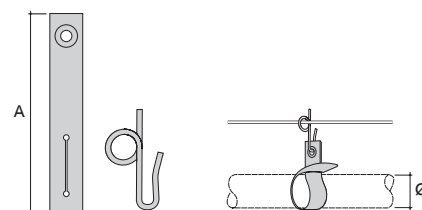
## Suspension

Type LS, SP, SG & SS – Suspension strap & perforated banding

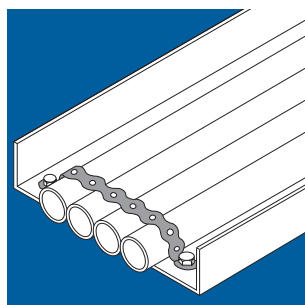
### Type LS – Suspension strap



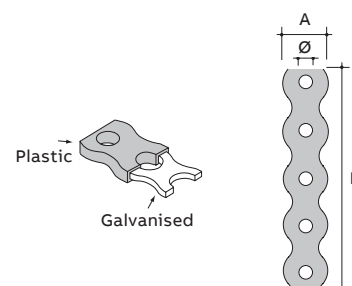
Part No.	ABB order code	A (mm)	Ø (mm)	Material finishes	Quantity (pieces)
LS-32	7TCA084220R0210	152	Max 32	F6	10
LS-38	7TCA084220R0211	178	Max 38	F6	10
LS-48	7TCA084220R0212	203	Max 48	F6	10
LS-54	7TCA084220R0213	228	Max 54	F6	10
LS-60	7TCA084220R0214	254	Max 60	F6	10
LS-72	7TCA084220R0215	305	Max 72	F6	10



### Type SP – Perforated banding



Part No.	ABB order code	Colour	Ø (mm)	A (mm)	B (mm)	Load rating (kg)	Material finishes	Quantity (pieces)
<b>Plastic*</b>								
SP-13B	7TCA084220R0385	Black	4	13	10	37	F7	1
SP-19B	7TCA084220R0390	Black	6.5	19	10	42	F7	1
SP-27B	7TCA084220R0399	Black	7.5	27	10	90	F7	1
SP-13O	7TCA084220R0387	Yellow	4	13	10	37	F7	1
SP-19O	7TCA084220R0393	Yellow	6.5	19	10	42	F7	1
SP-13R-FU	7TCA084220R0384	Red	4	13	10	37	F7	1
SP-19R	7TCA084220R0395	Red	6.5	19	10	42	F7	1
SP-13W	7TCA084220R0388	White	4	13	10	37	F7	1
SP-19W	7TCA084220R0397	White	6.5	19	10	42	F7	1
<b>Galvanised</b>								
SG-12-FU	7TCA084220R0377	-	5	12	10	37	F2	1
SG-18	7TCA084220R0374	-	7	18	10	42	F2	1
SG-26	7TCA084220R0375	-	8	26	10	90	F2	1
<b>Stainless steel</b>								
SS-12	7TCA084220R0415	-	5	12	10	43	F3	1
SS-18-FU	7TCA084220R0417	-	7	18	10	48	F3	1
SS-26	7TCA084220R0418	-	8	26	10	100	F3	1



\*Material: Plascoat PPA 571

## Suspension

Type MM, NM, MM-AH, NM-AH, MM-AV & NM-AV – Suspension, girder & purlin clips

### Type MM & NM – Suspension clip for perforated band

Part No.	ABB order code	Ø (mm)	A (mm)	B (mm)	C (mm)	Load rating (kg)	Material finishes	Quantity (pieces)
MM-65	7TCA084030R1504	6.5	28	20	6.3	90	F8+	100
NM-65	7TCA084030R1605	6.5	28	42	6.3	90	F8+	100

### Type MM-AH & NM-AH – Girder clips for perforated band

Part No.	ABB order code	T (mm)	A (mm)	B (mm)	Load rating (kg)	Material finishes	Quantity (pieces)
MM65-AH153	7TCA084030R1509	1.5-3	6.3	36	72	F8+	25
MM65-AH38	7TCA084030R1511	3-8	6.3	38	90	F8+	25
MM65-AH814	7TCA084030R1513	8-14	6.3	46	90	F8+	25
MM65-AH1420	7TCA084030R1507	14-20	6.3	58	90	F8+	25
NM65-AH153	7TCA084030R1608	1.5-3	6.3	58	72	F8+	25
NM65-AH38	7TCA084030R1610	3-8	6.3	60	90	F8+	25
NM65-AH814	7TCA084030R1612	8-14	6.3	68	90	F8+	25
NM65-AH1420	7TCA084030R1917	14-20	6.3	80	90	F8+	25

### Type MM-AV & NM-AV – Purlin clips for perforated band

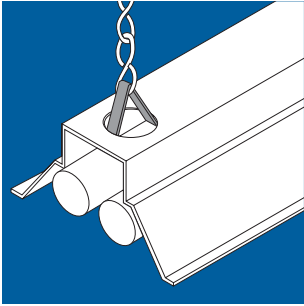
Part No.	ABB order code	T (mm)	A (mm)	B (mm)	Load rating (kg)	Material finishes	Quantity (pieces)
MM65-AV155	7TCA084030R1515	1.5-4	6.3	62	72	F8+	25
MM65-AV57	7TCA084030R1916	4.5-7	6.3	62	72	F8+	25
NM65-AV155	7TCA084030R1614	1.5-4	6.3	84	72	F8+	25
NM65-AV57	7TCA084030R1933	4.5-7	6.3	84	72	F8+	25

## Suspension

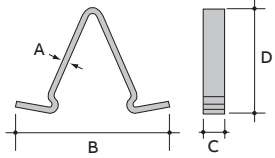
Type V, KK, KG, KF, KN, NG, NF & SH – Clip, metal chain & hooks

### Type V – Clip for chain hanging

Part No.	ABB order code	A (mm)	B (mm)	C (mm)	D (mm)	Load rating (kg)	Material finishes	Quantity (pieces)
V-1	7TCA084030R1847	1	50.8	8	35	8	F1	100

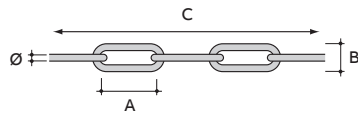
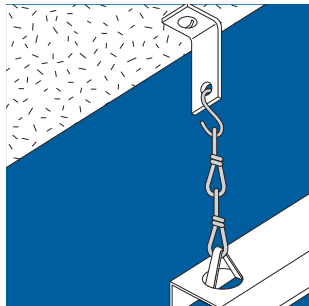


Recommended hole diameter 25 mm

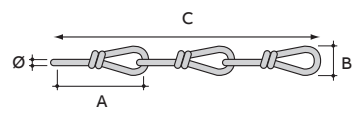


### Type KK, KG, KF, KN, NG, NF & SH – Metal chain & hooks

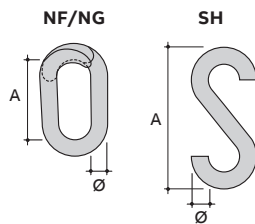
Part No.	ABB order code	Ø (mm)	A (mm)	B (mm)	C (mm)	Load rating (kg)	Material finishes	Quantity (pieces)
KK-20	7TCA084220R0193	1.8	25	8	30	70	F1	1
KK-30	7TCA084220R0195	2.8	39	12.5	30	190	F1	1
KG-3	7TCA084220R0189	3	26	12	30	45	F1	1
KG-4	7TCA084220R0191	4	32	16	30	80	F1	1
KF-3	7TCA084220R0185	3	26	12	30	45	F2	1
KF-4	7TCA084220R0187	4	32	16	30	80	F2	1
KN-2	7TCA084220R0197	2	22	8	30	50	F3	1
KN-3	7TCA084220R0199	3	26	12	30	120	F3	1
NG-3	7TCA084220R0218	4	20	-	-	-	F1	100
NF-4	7TCA084220R0378	4	20	-	-	-	F2	100
SH-4	7TCA084220R0380	4	35	-	-	20	F1	100
SH-5	7TCA084220R0380	5	45	-	-	30	F2	100



**KG - Electroplate DIN 5685**  
**KF - Hot Dip Galvanised DIN 5685**



**KN - Stainless Steel DIN 763**  
**KK - Electroplate DIN 5686**



\*Material: Plascoat PPA 571

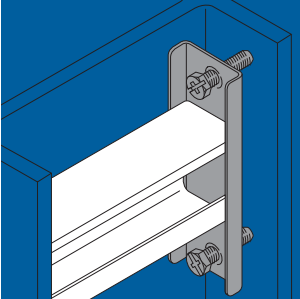
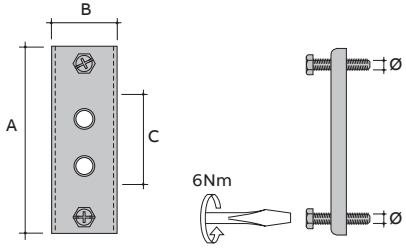


## Miscellaneous

Type CMP, XM & UM – Fixing bracket, speed nut & brackets

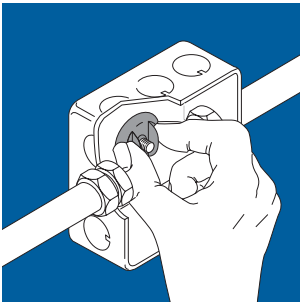
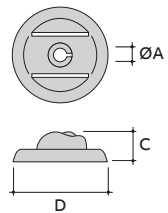
### Type CMP – Fixing bracket

Part No.	ABB order code	Ø (mm)	A (mm)	B (mm)	C (mm)	Load rating (kg)	Material finishes	Quantity (pairs per box)
CMP-400	7TCA084220R0074	M8 x 25	90	45	35	45	F2	20

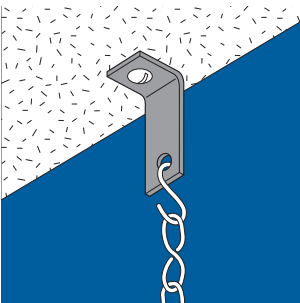
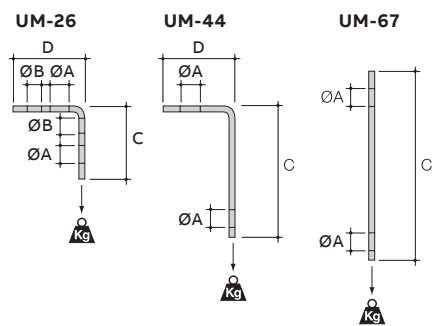
### Type XM – Speed nut

Part No.	ABB order code	Ø (mm)	C (mm)	D (mm)	Material finishes	Quantity (pieces)
XM-6	7TCA084030R1863	M6	10	32	F8+	100

### Type UM – Brackets

Part No.	ABB order code	ØA (mm)	ØB (mm)	C (mm)	D (mm)	Load rating (kg)	Material finishes	Quantity (pieces)
UM-26	7TCA084030R1834	6.5	4.6	26	26	90	F2	100
UM-44	7TCA084030R1835	6.5	-	44	26	90	F8+	100
UM-67	7TCA084030R1837	6.5	-	67	-	90	F8+	100

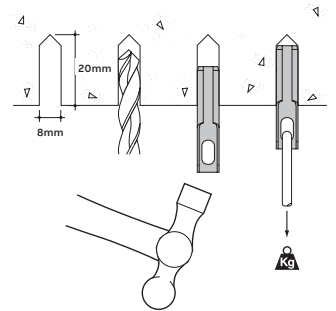
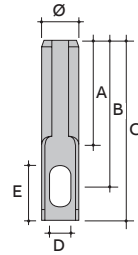
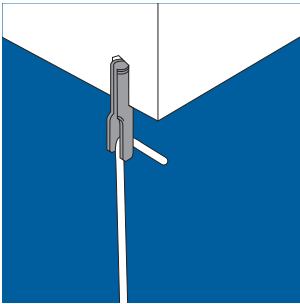



## Miscellaneous

Type A – Fixing for chain and wire

Type A – Fixing for chain and wire

Part No.	ABB order code	Ø (mm)	A (mm)	B (mm)	C (mm)	D (mm)	E (mm)	Load rating (kg)	Material finishes	Quantity (pieces)
A100	7TCA084030R0439	8.75	25	34	42	5	10	40	F1	100





## Merchandise unit

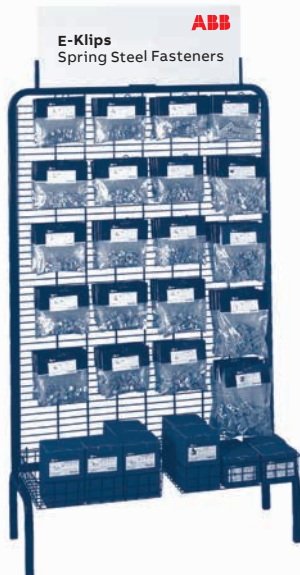
### Unit & products

#### Merchandise unit

Part No.	ABB order code	Description
Eklipsunit	7TCA084030R1199	Complete merchandise unit

#### Products included with unit

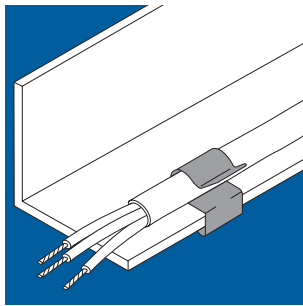
Part No.	ABB order code	Quantity (no of packages)	Page
AH38-GM1926	7TCA084030R0595	2	21
AH814-GM1926	7TCA084030R0652	2	21
AV155-AM6T	7TCA084030R0750	2	15
AV155-AM10T	7TCA084030R0742	2	15
FC-11	7TCA084220R0153	2	10
PPAH38	7TCA084030R1695	4	6
PPAH814	7TCA084030R1696	4	6
PPAV155	7TCA084030R1699	4	6
PPFH65	7TCA084030R1720	4	6
PPJHX16S	7TCA084030R1721	4	40
PPECS89	7TCA084030R1714	4	35
PPECS1011	7TCA084030R1710	4	35
PPECS1214	7TCA084030R1711	4	35
PPECS1519	7TCA084030R1712	4	35
PPECS2024	7TCA084030R1713	4	35
PPECM89	7TCA084030R1709	4	35
PPECM1011	7TCA084030R1705	4	35
PPECM1214	7TCA084030R1706	4	35
PPECM1519	7TCA084030R1707	4	35
PPECM2024	7TCA084030R1708	4	35
PPECL89	7TCA084030R1704	4	35
PPECL1011	7TCA084030R1700	4	35
PPECL1214	7TCA084030R1701	4	35
PPECL1519	7TCA084030R1702	4	35
PPECL2024	7TCA084030R1703	4	35



## Merchandiser unit

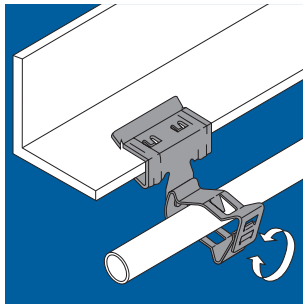
### Re-ordering part numbers

#### Girder clips for single cables



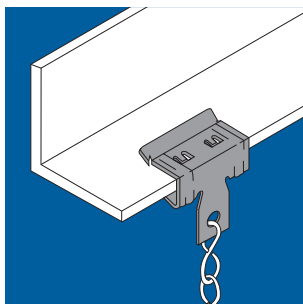
Part No.	ABB order code	Quantity (pieces)	Page
PPECS89	7TCA084030R1714	25	35
PPECS1011	7TCA084030R1710	25	35
PPECS1214	7TCA084030R1711	25	35
PPECS1519	7TCA084030R1712	25	35
PPECS2024	7TCA084030R1713	25	35
PPECM89	7TCA084030R1709	25	35
PPECM1011	7TCA084030R1705	25	35
PPECM1214	7TCA084030R1706	25	35
PPECM1519	7TCA084030R1707	25	35
PPECM2024	7TCA084030R1708	25	35
PPECL89	7TCA084030R1704	25	35
PPECL1011	7TCA084030R1700	25	35
PPECL1214	7TCA084030R1701	25	35
PPECL1519	7TCA084030R1702	25	35
PPECL2024	7TCA084030R1703	25	35

#### Girder clips for conduit



Part No.	ABB order code	Quantity (pieces)	Page
AH38-GM1926	7TCA084030R0595	25	21
AH814-GM1926	7TCA084030R0652	25	21

#### Girder clips for chain or wire



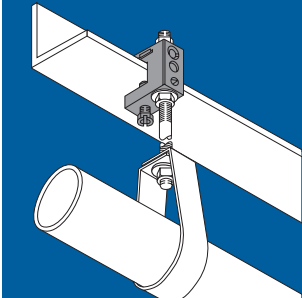
Part No.	ABB order code	Quantity (pieces)	Page
PPAH38	7TCA084030R1695	25	6
PPAH814	7TCA084030R1696	25	6

## Merchandise unit

Re-ordering part numbers

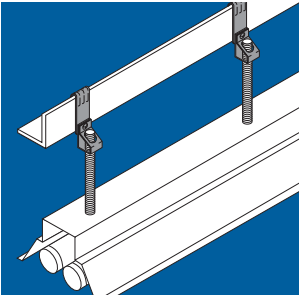
### Girder clamps for threaded rod

Part No.	ABB order code	Quantity (pieces)	Page
PPFH65	7TCA084030R1720	25	6



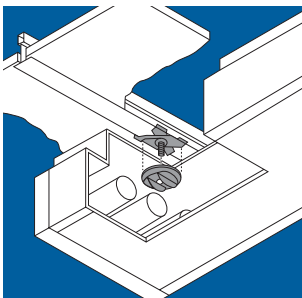
### Purlin clips for threaded rod

Part No.	ABB order code	Quantity (pieces)	Page
AV155-AM6T	7TCA084030R0750	25	15
AV155-AM10T	7TCA084030R0742	25	15



### Suspended ceiling clips

Part No.	ABB order code	Quantity (pieces)	Page
PPJHX16S	7TCA084030R1721	25	40

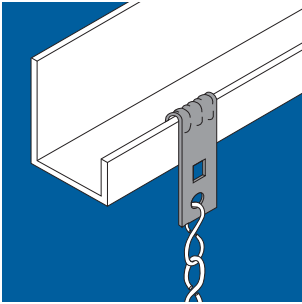


**Merchandiser unit**

Re-ordering part numbers

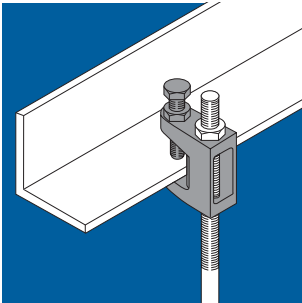
**Girder clips for chain or wire**

Part No.	ABB order code	Quantity (pieces)	Page
PPAV155	7TCA084030R1699	25	6



**Girder clamps for threaded rod**

Part No.	ABB order code	Quantity (pieces)	Page
FC-11	7TCA084220R0153	25	10



# Technical information

## Spring steel fasteners

### Quality assurance

E-Klips products are registered for BS EN ISO 9001 and have a comprehensive test and inspection programme so that all comply with our specifications, whether they are of our own manufacture or from a quality approved source. Any further details required on quality are available on request.

### Protection against corrosion

The majority of E-Klips spring steel fasteners are zinc coated. The clips have a zinc silver coloured sacrificial coating which deposits two layers of zinc and an application of a waterproof topcoat. This gives a high level of protection against first white corrosion and then red rust according to ASTM-B695-90 or equivalent.

The corrosion resistance is measured by a salt spray test conforming to ASTM-B-117-90, DIN 50021 or equivalent. E-Klips zinc coated products are salt spray rated to a minimum of 600 hours and are coded F8+.

### Key to finishes and applications:

- F1 Electroplated zinc finish, generally 8-12 microns thick with chromate coating, approximately 72 hours salt spray resistance ASTM-B117-90, DIN 50021, suitable for indoor, non-corrosive environments.
- F2 Galvanised, generally hot dipped to a thickness of 50-70 microns, suitable for indoor and outdoor, humid and mildly corrosive environments.
- F3 Stainless steel, suitable for indoor and outdoor and mildly corrosive environments.
- F4 Painted finish to compliment indoor applications.
- F5 Black phosphate finish in accordance with BS 3189 Class 1 suitable to achieve 72 hours salt spray rating for indoor, non-corrosive environments.
- F6 Self colour, unfinished and unprotected product for indoor applications.
- F7 Flexible plastic coating with good chemical and corrosion resistance to protect the base material.

F8+ Zinc silver coloured sacrificial coating (Z600+), enhanced by an application of waterproof topcoat giving a corrosion resistance of more than 600 hours, for use in indoor and outdoor humid and mildly corrosive environments. Coating is completely chromium free.

### Load rating

The load rating of E-Klips fasteners is expressed as a maximum static load limit. This is the stationary vertical load limit for a fixing product and incorporates a significant safety factor. Where fasteners are combined, the load rating is determined by the lowest rated fastener. If the load rating of the steelwork is less than that of the fastener, this becomes the maximum static load rating for the system. For further information please contact the sales office.

### Materials

E-Klips products are manufactured using steel in accordance to BS EN 1449 - part 1.15 grade CS70. Furthermore products are annealed and oiled. All components are hardened and austempered using the shaker hearth furnace method to give a final hardness reading of 400-450 HV-10 Vickers.

### Warranty and limitations

ABB warrants to the buyer that the products sold in this catalogue shall be free of defects in material and workmanship at the time of shipment. Buyers' sole and exclusive remedy under this warranty is limited to repair or replacement, at our option, of the product, or any part or parts thereof, which have been returned to us, with transportation charges prepaid to our factory, and which we determine to have been defective at time of original factory shipment. We disclaim any liability for incidental or consequential damages which may be incurred either by the buyer or user of E-Klips fasteners. ABB neither assumes or authorises any person to assume for it any obligation in the connection with the sale of the product in excess of the above mentioned warranty and remedy.

**Misapplication**

E-Klips spring steel fasteners are intended for indoor and outdoor use in a mildly corrosive atmosphere and within the published load limits. ABB assumes no liability for any misapplication of any fastener. A misapplication of a fastener includes any or all of the following:

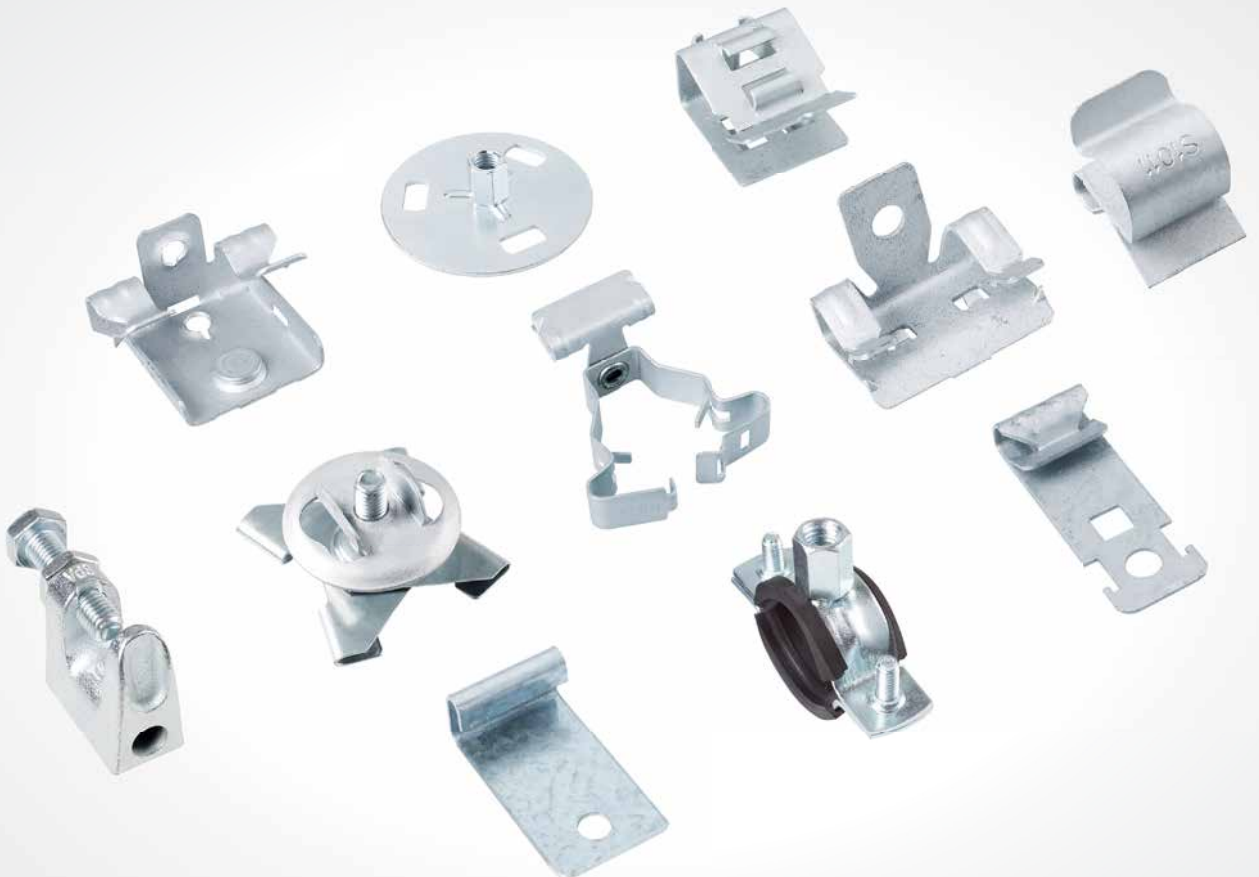
- Use beyond published load limits (see catalogue)
- (Note: all load ratings, unless specified, are vertical load ratings for normal fastener application)
- Installation in a manner other than per instructions
- Use in an environment which is or might be corrosive
- Use in an application not published by ABB, as shown in the fasteners product catalogue
- Use without compliance with local/national code regulations

Note: Owing to manufacturing improvements, some fasteners supplied may differ from those illustrated. However, the static loads stated still apply.

This brochure is designed to provide only preliminary information on the E-Klips products and services provided by ABB and is not a contract.

**Disclaimer**

The company does not accept any liability for loss or damage arising from failure to follow its instructions in respect of its products or from variations to products not agreed by it.



## Appendix

### Part number index

Part. No.	GID No.	Page	Part. No.	GID No.	Page	Part. No.	GID No.	Page
A100	7TCA084030R0439	57	AH38-AM10T	7TCA084030R0563	13	AHB-1420	7TCA084030R0683	14
AH-1420	7TCA084030R0443	6	AH38-AM127	7TCA084030R0566	13	AHB-153	7TCA084030R0685	14
AH-153	7TCA084030R0448	6	AH38-AM6T	7TCA084030R0569	13	AHB-38	7TCA084030R0687	14
AH-38	7TCA084030R0452	6	AH38-AM8T	7TCA084030R0572	13	AHB-814	7TCA084030R0690	14
AH-814	7TCA084030R0457	6	AH38-B	7TCA084030R0574	34	AM-10T	7TCA084030R0726	12
AH1420-AM10T	7TCA084030R0462	13	AH38-BM10	7TCA084030R0576	14	AM-127	7TCA084030R0728	12
AH1420-AM127	7TCA084030R0465	13	AH38-BM6	7TCA084030R0580	14	AM-6T	7TCA084030R0730	12
AH1420-AM6T	7TCA084030R0467	13	AH38-BM8	7TCA084030R0582	14	AM-8T	7TCA084030R0732	12
AH1420-AM8T	7TCA084030R0470	13	AH38-CT2	7TCA084030R0586	36	AV-155	7TCA084030R0734	6
AH1420-B	7TCA084030R0472	34	AH38-CT2R	7TCA084030R0588	36	AV-57	7TCA084030R0739	6
AH1420-BM10	7TCA084030R0473	14	AH38-CT4	7TCA084030R0590	36	AV155-AM10T	7TCA084030R0742	15
AH1420-BM6	7TCA084030R0476	14	AH38-GM1219	7TCA084030R0593	21	AV155-AM127	7TCA084030R0747	15
AH1420-BM8	7TCA084030R0478	14	AH38-GM1926	7TCA084030R0595	21	AV155-AM6T	7TCA084030R0750	15
AH1420-CT2	7TCA084030R0481	36	AH38-GM2632	7TCA084030R0598	21	AV155-AM8T	7TCA084030R0754	15
AH1420-CT2R	7TCA084030R0483	36	AH38-GM3240	7TCA084030R0600	21	AV155-BM10	7TCA084030R0758	15
AH1420-CT4	7TCA084030R0485	36	AH38-GM4047	7TCA084030R0602	21	AV155-BM6	7TCA084030R0762	15
AH1420-GM1219	7TCA084030R0487	21	AH38-GM4757	7TCA084030R0604	21	AV155-BM8	7TCA084030R0764	15
AH1420-GM1926	7TCA084030R0489	21	AH38-JM1825	7TCA084030R0606	21	AV155-CT2	7TCA084030R0766	37
AH1420-GM2632	7TCA084030R0493	21	AH38-JM1825R	7TCA084030R0608	21	AV155-CT2R	7TCA084030R0768	37
AH1420-GM3240	7TCA084030R0495	21	AH38-JM2229	7TCA084030R0610	21	AV155-CT4	7TCA084030R0770	37
AH1420-GM4047	7TCA084030R0497	21	AH38-JM2229R	7TCA084030R0612	21	AV155-GM1219	7TCA084030R0772	23
AH1420-GM4757	7TCA084030R0499	21	AH38-JM2933	7TCA084030R0614	21	AV155-GM1219R	7TCA084030R0774	23
AH1420-JM1825	7TCA084030R0501	21	AH38-M	7TCA084030R0616	36	AV155-GM1926	7TCA084030R0775	23
AH1420-JM1825R	7TCA084030R0503	21	AH38-MR	7TCA084030R0619	36	AV155-GM1926R	7TCA084030R0778	23
AH1420-JM2229	7TCA084030R0504	21	AH38-YM127	7TCA084030R0621	13	AV155-GM2632	7TCA084030R0779	23
AH1420-JM2229R	7TCA084030R0506	21	AH814-AM10T	7TCA084030R0623	13	AV155-GM2632R	7TCA084030R0781	23
AH1420-JM2933	7TCA084030R0507	21	AH814-AM127	7TCA084030R0626	13	AV155-GM3240	7TCA084030R0782	23
AH1420-JM2933R	7TCA084030R0509	21	AH814-AM6T	7TCA084030R0629	13	AV155-GM4047	7TCA084030R1909	23
AH1420-M	7TCA084030R0510	36	AH814-AM8T	7TCA084030R0632	13	AV155-GM4757	7TCA084030R0784	23
AH1420-MR	7TCA084030R0513	36	AH814-B	7TCA084030R0634	34	AV155-JB10T	7TCA084030R0785	14
AH1420-YM127	7TCA084030R0515	13	AH814-BM10	7TCA084030R0636	14	AV155-JB11	7TCA084030R0786	14
AH153-AM10T	7TCA084030R0520	13	AH814-BM6	7TCA084030R0639	14	AV155-JB8T	7TCA084030R0787	14
AH153-AM127	7TCA084030R0522	13	AH814-BM8	7TCA084030R0641	14	AV155-M	7TCA084030R0788	38
AH153-AM6T	7TCA084030R0524	13	AH814-CT2	7TCA084030R0644	34	AV155-MR	7TCA084030R0791	38
AH153-AM8T	7TCA084030R0525	13	AH814-CT2R	7TCA084030R0646	34	AV57-AM10T	7TCA084030R0795	15
AH153-B	7TCA084030R0527	34	AH814-CT4	7TCA084030R0648	34	AV57-AM127	7TCA084030R0798	15
AH153-BM10	7TCA084030R0529	14	AH814-GM1219	7TCA084030R0650	21	AV57-AM6T	7TCA084030R0800	15
AH153-BM6	7TCA084030R0532	14	AH814-GM1926	7TCA084030R0652	21	AV57-AM8T	7TCA084030R0803	15
AH153-BM8	7TCA084030R0534	14	AH814-GM2632	7TCA084030R0655	21	AV57-BM10	7TCA084030R0806	15
AH153-CT2	7TCA084030R0537	36	AH814-GM3240	7TCA084030R0657	21	AV57-BM6	7TCA084030R0809	15
AH153-CT2R	7TCA084030R0540	36, 37	AH814-GM4047	7TCA084030R0659	21	AV57-BM8	7TCA084030R0811	15
AH153-CT4	7TCA084030R0542	36	AH814-GM4757	7TCA084030R0661	21	AV57-CT2	7TCA084030R0813	37
AH153-GM1219	7TCA084030R0544	21	AH814-GM1825	7TCA084030R0663	21	AV57-CT2R	7TCA084030R1921	37
AH153-GM1926	7TCA084030R0546	21	AH814-GM1825R	7TCA084030R0665	21	AV57-CT4	7TCA084030R1920	37
AH153-GM2632	7TCA084030R0548	21	AH814-GM2229	7TCA084030R0667	21	AV57-GM1219	7TCA084030R0817	23
AH153-GM3240	7TCA084030R0550	21	AH814-GM2229R	7TCA084030R0669	21	AV57-GM1219R	7TCA084030R1912	23
AH153-GM4047	7TCA084030R0552	21	AH814-GM2933	7TCA084030R0671	21	AV57-GM1926	7TCA084030R0818	23
AH153-GM4757	7TCA084030R0554	21	AH814-GM2933R	7TCA084030R0673	21	AV57-GM1926R	7TCA084030R1913	23
AH153-M	7TCA084030R0556	36	AH814-M	7TCA084030R0675	36	AV57-GM2632	7TCA084030R0820	23
AH153-MR	7TCA084030R0559	36	AH814-MR	7TCA084030R0679	36	AV57-GM2632R	7TCA084030R1914	23
AH153-YM127	7TCA084030R0561	13	AH814-YM127	7TCA084030R0681	13	AV57-GM3240	7TCA084030R1910	23



Part. No.	GID No.	Page	Part. No.	GID No.	Page	Part. No.	GID No.	Page
AV57-GM4047	7TCA084030R1911	23	DH1722-105	7TCA084030R0946	44	EH-1420	7TCA084030R1085	7
AV57-GM4757	7TCA084030R0821	23	DH1722-65	7TCA084030R0947	44	EH-1420S	7TCA084030R1088	7
AV57-JB10T	7TCA084030R0822	14	DH1722-GM1219	7TCA084030R0948	45	EH-38	7TCA084030R1091	7
AV57-JB11	7TCA084030R0823	14	DH1722-GM1926	7TCA084030R0949	45	EH-38S	7TCA084030R1095	7
AV57-JB8T	7TCA084030R0824	14	DH1722-GM2632	7TCA084030R0950	45	EH-814	7TCA084030R1098	7
AV57-M	7TCA084030R0825	38	DH1722-GM3240	7TCA084030R0951	45	EH-814S	7TCA084030R1102	7
AV57-MR	7TCA084030R1919	38	DH1722-GM4047	7TCA084030R0952	45	EH1420-GM1219	7TCA084030R1105	24
AVB-6T	7TCA084030R0830	15	DH1722-GM4757	7TCA084030R0953	45	EH1420-GM1926	7TCA084030R1107	24
AVB-8T	7TCA084030R0831	15	DH1722-M10	7TCA084030R0954	44	EH1420-GM2632	7TCA084030R1109	24
BH-10T	7TCA084220R0068	11	DH1722-M8	7TCA084030R0956	44	EH1420-GM3240	7TCA084030R1111	24
BH-6T	7TCA084220R0070	11	DHN-10T	7TCA084030R0957	45	EH1420-GM4047	7TCA084030R1113	24
BH-8T	7TCA084220R0072	11	DHN-6T	7TCA084030R0958	45	EH1420-GM4757	7TCA084030R1115	24
BM-10	7TCA084030R0835	12	DHN-8T	7TCA084030R0959	45	EH1420-JM1825	7TCA084030R1117	24
BM-6	7TCA084030R0839	12	DMH-10T	7TCA084220R0131	43	EH1420-JM2229	7TCA084030R1119	24
BM-8	7TCA084030R0841	12	DMH-6T	7TCA084220R0132	43	EH1420-JM2933	7TCA084030R1121	24
CMP-400	7TCA084220R0074	56	DMH-8T	7TCA084220R0133	43	EH1420-P15	7TCA084030R1123	25
CW100-2	7TCA084220R0086	50	DWH-10T	7TCA084220R0136	43	EH1420-P22	7TCA084030R1125	25
CW100-3	7TCA084220R0088	50	DWH-6T	7TCA084220R0137	43	EH1420-P28	7TCA084030R1127	25
CW100-3PVC	7TCA084220R0090	50	DWH-8T	7TCA084220R0138	43	EH1420-RCC13	7TCA084030R1129	26
CW100-4	7TCA084220R0092	50	ECA-1215	7TCA084030R0971	35	EH1420-RCC15	7TCA084030R1131	26
CW100-4PVC	7TCA084220R0094	50	ECA-1520	7TCA084030R0975	35	EH38-GM1219	7TCA084030R1133	24
CW100-6	7TCA084220R0096	50	ECH-33	7TCA084220R0140	21	EH38-GM1926	7TCA084030R1135	24
CW100-6PVC	7TCA084220R0098	50	ECH-37	7TCA084220R0141	21	EH38-GM2632	7TCA084030R1138	24
CW30-3	7TCA084220R0100	50	ECH-41	7TCA084220R0143	21	EH38-GM3240	7TCA084030R1140	24
CW30-3PVC	7TCA084220R0103	50	ECH-45	7TCA084220R0144	21	EH38-GM4047	7TCA084030R1142	24
CW30-4	7TCA084220R0106	50	ECH-49	7TCA084220R0146	21	EH38-GM4757	7TCA084030R1144	24
CW30-4PVC	7TCA084220R0107	50	ECH-53	7TCA084220R0148	21	EH38-JM1825	7TCA084030R1146	24
CW30-6	7TCA084220R0109	50	ECL-1011	7TCA084030R0980	31	EH38-JM2229	7TCA084030R1148	24
CW30-6PVC	7TCA084220R0111	50	ECL-1214	7TCA084030R0985	31	EH38-JM2933	7TCA084030R1150	24
CW50-3	7TCA084220R0114	50	ECL-1519	7TCA084030R0990	31	EH38-P15	7TCA084030R1152	25
CW50-3PVC	7TCA084220R0116	50	ECL-2024	7TCA084030R0995	31	EH38-P22	7TCA084030R1154	25
CW50-4	7TCA084220R0118	50	ECL-2532	7TCA084030R1000	31	EH38-P28	7TCA084030R1157	25
CW50-4PVC	7TCA084220R0120	50	ECL-4555	7TCA084030R1004	31	EH38-RCC13	7TCA084030R1160	26
CW50-6	7TCA084220R0121	50	ECL-67	7TCA084030R1006	31	EH38-RCC15	7TCA084030R1162	26
CW50-6PVC	7TCA084220R0123	50	ECL-89	7TCA084030R1010	31	EH814-GM1219	7TCA084030R1163	24
CWG-23	7TCA084220R0125	51	ECM-1011	7TCA084030R1015	31	EH814-GM1926	7TCA084030R1165	24
CWG-4	7TCA084220R0126	51	ECM-1214	7TCA084030R1019	31	EH814-GM2632	7TCA084030R1168	24
CWG-6	7TCA084220R0127	51	ECM-1519	7TCA084030R1024	31	EH814-GM3240	7TCA084030R1170	24
CWT-23	7TCA084220R0128	51	ECM-2024	7TCA084030R1029	31	EH814-GM4047	7TCA084030R1172	24
CWT-46	7TCA084220R0129	51	ECM-2532	7TCA084030R1034	31	EH814-GM4757	7TCA084030R1174	24
DH-50	7TCA084030R0931	45	ECM-4555	7TCA084030R1037	31	EH814-JM1825	7TCA084030R1176	24
DH1217-105	7TCA084030R0935	44	ECM-67	7TCA084030R1039	31	EH814-JM2229	7TCA084030R1178	24
DH1217-65	7TCA084030R0936	44	ECM-89	7TCA084030R1044	31	EH814-JM2933	7TCA084030R1180	24
DH1217-GM1219	7TCA084030R0937	45	ECS-1011	7TCA084030R1049	31	EH814-P15	7TCA084030R1182	25
DH1217-GM1926	7TCA084030R0938	45	ECS-1214	7TCA084030R1054	31	EH814-P22	7TCA084030R1184	25
DH1217-GM2632	7TCA084030R0939	45	ECS-1519	7TCA084030R1059	31	EH814-P28	7TCA084030R1187	25
DH1217-GM3240	7TCA084030R0940	45	ECS-2024	7TCA084030R1064	31	EH814-RCC13	7TCA084030R1191	26
DH1217-GM4047	7TCA084030R0941	45	ECS-2532	7TCA084030R1069	31	EH814-RCC15	7TCA084030R1193	26
DH1217-GM4757	7TCA084030R0942	45	ECS-4555	7TCA084030R1073	31	Ekliksunit	7TCA084030R1199	58
DH1217-M10	7TCA084030R0943	44	ECS-67	7TCA084030R1075	31	FC-10T	7TCA084220R0152	10
DH1217-M8	7TCA084030R0945	44	ECS-89	7TCA084030R1080	31	FC-11	7TCA084220R0153	10

## Appendix

### Part number index

Part. No.	GID No.	Page	Part. No.	GID No.	Page	Part. No.	GID No.	Page
FC-12T	7TCA084220R0155	10	GM1926-GM4047	7TCA084030R1334	29	LS-72	7TCA084220R0215	52
FC-13	7TCA084220R0156	10	GM1926-GM4757	7TCA084030R1336	29	MM-65	7TCA084030R1504	53
FC-6T	7TCA084220R0158	10	GM2632-GM2632	7TCA084030R1338	29	MM65-AH1420	7TCA084030R1507	53
FC-7	7TCA084220R0159	10	GM2632-GM3240	7TCA084030R1340	29	MM65-AH153	7TCA084030R1509	53
FC-8T	7TCA084220R0160	10	GM2632-GM4047	7TCA084030R1342	29	MM65-AH38	7TCA084030R1511	53
FC-9	7TCA084220R0161	10	GM2632-GM4757	7TCA084030R1344	29	MM65-AH814	7TCA084030R1513	53
FH-107	7TCA084030R1210	6	GM3240-GM3240	7TCA084030R1346	29	MM65-AV155	7TCA084030R1515	53
FH-65	7TCA084030R1214	6	GM3240-GM4047	7TCA084030R1930	29	MM65-AV57	7TCA084030R1916	53
FH107-AM10T	7TCA084030R1218	17	GM3240-GM4757	7TCA084030R1349	29	NF-4	7TCA084220R0216	54
FH107-AM127	7TCA084030R1220	17	GM4047-GM4047	7TCA084030R1931	29	NG-4	7TCA084220R0218	54
FH107-AM6T	7TCA084030R1222	17	GM4047-GM4757	7TCA084030R1932	29	NH-083	7TCA084030R1521	42
FH107-AM8T	7TCA084030R1224	17	GM4757-GM4757	7TCA084030R1352	29	NH083-AM10T	7TCA084030R1523	42
FH107-BM10	7TCA084030R1226	17	H-0612	7TCA084220R0165	32	NH083-AM127	7TCA084030R1525	42
FH107-BM6	7TCA084030R1230	17	H-1822	7TCA084220R0166	32	NH083-AM6T	7TCA084030R1527	42
FH107-BM8	7TCA084030R1232	17	H-2226	7TCA084220R0167	32	NH083-AM8T	7TCA084030R1529	42
FH107-GM1219	7TCA084030R1234	28	H-2630	7TCA084220R0168	32	NH083-BM10	7TCA084030R1531	43
FH107-GM1926	7TCA084030R1236	28	H-3034	7TCA084220R0169	32	NH083-BM6	7TCA084030R1534	43
FH107-GM2632	7TCA084030R1238	28	H-3842	7TCA084220R0170	32	NH083-BM8	7TCA084030R1535	43
FH107-GM3240	7TCA084030R1240	28	H-5864	7TCA084220R0171	32	NH083-YM127	7TCA084030R1537	42
FH107-GM4047	7TCA084030R1242	28	HW50	7TCA084220R0176	50	NM-65	7TCA084030R1605	53
FH107-GM4757	7TCA084030R1925	28	JH-15SW	7TCA084220R0181	40	NM65-AH1420	7TCA084030R1917	53
FH107-JM1825	7TCA084030R1245	28	JHX-16S	7TCA084030R1441	40	NM65-AH153	7TCA084030R1608	53
FH107-JM2229	7TCA084030R1247	28	JHX-16SW	7TCA084030R1445	40	NM65-AH38	7TCA084030R1610	53
FH107-JM2933	7TCA084030R1249	28	JHX-38S	7TCA084030R1446	40	NM65-AH814	7TCA084030R1612	53
FH65-GM1219	7TCA084030R1251	27	JM-1825	7TCA084030R1451	21	NM65-AV155	7TCA084030R1614	53
FH65-GM1926	7TCA084030R1253	27	JM-2229	7TCA084030R1455	21	NM65-AV57	7TCA084030R1933	53
FH65-GM2632	7TCA084030R1254	27	JM-2933	7TCA084030R1459	21	PB-107112	7TCA084220R0220	47
FH65-GM3240	7TCA084030R1256	27	JM1825-JM1825	7TCA084030R1463	30	PB-113118	7TCA084220R0221	47
FH65-GM4047	7TCA084030R1258	27	JM1825-JM2229	7TCA084030R1465	30	PB-125130	7TCA084220R0222	47
FH65-GM4757	7TCA084030R1260	27	JM1825-JM2933	7TCA084030R1467	30	PB-138142	7TCA084220R0223	47
FH65-JM1825	7TCA084030R1262	28	JM2229-JM2229	7TCA084030R1468	30	PB-148152	7TCA084220R0224	47
FH65-JM2229	7TCA084030R1264	28	JM2229-JM2933	7TCA084030R1470	30	PB-1519	7TCA084220R0225	47
FH65-JM2933	7TCA084030R1266	28	JM2933-JM2933	7TCA084030R1472	30	PB-159166	7TCA084220R0226	47
FM-313T	7TCA084030R1270	11, 20	KF-3	7TCA084220R0185	54	PB-200212	7TCA084220R0227	47
FM-320T	7TCA084030R1274	11, 20	KF-4	7TCA084220R0187	54	PB-2025	7TCA084220R0228	47
GH-1018	7TCA084030R1294	34	KG-3	7TCA084220R0189	54	PB-215220	7TCA084220R0229	47
GH-310	7TCA084030R1298	34	KG-4	7TCA084220R0191	54	PB-2630	7TCA084220R0230	47
GM-1219	7TCA084030R1302	20	KH-6W	7TCA084030R1478	40	PB-3236	7TCA084220R0231	47
GM-1926	7TCA084030R1305	20	KK-20	7TCA084220R0193	54	PB-3843	7TCA084220R0232	47
GM-2632	7TCA084030R1310	20	KK-30	7TCA084220R0195	54	PB-4751	7TCA084220R0233	47
GM-3240	7TCA084030R1312	20	KN-2	7TCA084220R0197	54	PB-5358	7TCA084220R0234	47
GM-4047	7TCA084030R1315	20	KN-3	7TCA084220R0199	54	PB-6064	7TCA084220R0235	47
GM-4757	7TCA084030R1317	20	LH-25	7TCA084030R1485	40	PB-6872	7TCA084220R0237	47
GM1219-GM1926	7TCA084030R1320	29	LH-25W	7TCA084030R1490	40	PB-7580	7TCA084220R0238	47
GM1219-GM2632	7TCA084030R1322	29	LM-38	7TCA084030R1492	34	PB-8186	7TCA084220R0239	47
GM1219-GM3240	7TCA084030R1928	29	LM-811	7TCA084030R1495	34	PB-8792	7TCA084220R0240	47
GM1219-GM4047	7TCA084030R1929	29	LS-32	7TCA084220R0210	52	PB-99105	7TCA084220R0241	47
GM1219-GM4757	7TCA084030R1326	29	LS-38	7TCA084220R0211	52	PBD-2024	7TCA084220R0242	48
GM1926-GM1926	7TCA084030R1328	29	LS-48	7TCA084220R0212	52	PCH-1418	7TCA084220R0245	46
GM1926-GM2632	7TCA084030R1330	29	LS-54	7TCA084220R0213	52	PCH-1618	7TCA084220R0248	46
GM1926-GM3240	7TCA084030R1332	29	LS-60	7TCA084220R0214	52	PCH-2022	7TCA084220R0250	46

Part. No.	GID No.	Page	Part. No.	GID No.	Page	Part. No.	GID No.	Page
PCH-2528	7TCA084220R0252	46	PH-80	7TCA084220R0321	48	RM055-AM10T	7TCA084030R1739	18
PCH-3335	7TCA084220R0254	46	PM-65	7TCA084030R1666	41	RM055-AM127	7TCA084030R1741	18
PCH-4244	7TCA084220R0256	46	PM-6T	7TCA084030R1668	41	RM055-AM6T	7TCA084030R1743	18
PCH-4850	7TCA084220R0258	46	PMB-65	7TCA084030R1681	41	RM055-AM8T	7TCA084030R1745	18
PCH-5254	7TCA084220R0260	46	PMB-6T	7TCA084030R1683	41	S-0612	7TCA084220R0580	32
PCS-107112	7TCA084220R0264	46	PMB65-GM1219	7TCA084030R1685	29	S-1014	7TCA084220R0581	32
PCS-113118	7TCA084220R0265	46	PMB65-GM1926	7TCA084030R1687	29	S-1216	7TCA084220R0352	32
PCS-125130	7TCA084220R0266	46	PMB65-GM2632	7TCA084030R1908	29	S-1418	7TCA084220R0353	32
PCS-132137	7TCA084220R0267	46	PMB65-GM3240	7TCA084030R1926	29	S-1822	7TCA084220R0355	32
PCS-138142	7TCA084220R0268	46	PMB65-GM4047	7TCA084030R1927	29	S-2226	7TCA084220R0358	32
PCS-148152	7TCA084220R0269	46	PMB65-GM4757	7TCA084030R1692	29	S-2630	7TCA084220R0360	32
PCS-1519	7TCA084220R0270	46	PPAH38	7TCA084030R1695	58, 59	S-3034	7TCA084220R0361	32
PCS-159166	7TCA084220R0271	46	PPAH814	7TCA084030R1696	58, 59	S-3438	7TCA084220R0362	32
PCS-200212	7TCA084220R0272	46	PPAV155	7TCA084030R1699	58, 59	S-3842	7TCA084220R0363	32
PCS-2025	7TCA084220R0273	46	PPECL1011	7TCA084030R1700	58, 59	S-4246	7TCA084220R0364	32
PCS-215220	7TCA084220R0274	46	PPECL1214	7TCA084030R1701	58, 59	S-4650	7TCA084220R0365	32
PCS-248252	7TCA084220R0275	46	PPECL1519	7TCA084030R1702	58, 59	S-5054	7TCA084220R0366	32
PCS-2630	7TCA084220R0276	46	PPECL2024	7TCA084030R1703	58, 59	S-5458	7TCA084220R0367	32
PCS-3236	7TCA084220R0278	46	PPECL89	7TCA084030R1704	58, 59	SG-12-FU	7TCA084220R0377	52
PCS-3843	7TCA084220R0279	46	PPECM1011	7TCA084030R1705	58, 59	SG-18	7TCA084220R0374	52
PCS-4751	7TCA084220R0280	46	PPECM1214	7TCA084030R1706	58, 59	SG-26	7TCA084220R0375	52
PCS-5358	7TCA084220R0281	46	PPECM1519	7TCA084030R1707	58, 59	SH-4	7TCA084220R0378	54
PCS-6064	7TCA084220R0282	46	PPECM2024	7TCA084030R1708	58, 59	SH-5	7TCA084220R0380	54
PCS-6872	7TCA084220R0283	46	PPECM89	7TCA084030R1709	58, 59	SM-125	7TCA084030R1753	7
PCS-7580	7TCA084220R0284	46	PPECS1011	7TCA084030R1710	58, 59	SM125-AM10T	7TCA084030R1755	16
PCS-8186	7TCA084220R0285	46	PPECS1214	7TCA084030R1711	58, 59	SM125-AM127	7TCA084030R1757	16
PCS-7580	7TCA084220R0284	46	PPECS1519	7TCA084030R1712	58, 59	SM125-AM6T	7TCA084030R1759	16
PCS-8186	7TCA084220R0285	46	PPECS2024	7TCA084030R1713	58, 59	SM125-AM8T	7TCA084030R1761	16
PCS-8792	7TCA084220R0286	46	PPECS89	7TCA084030R1714	58, 59	SM125-GM1219	7TCA084030R1771	25
PCS-99105	7TCA084220R0287	46	PPFH65	7TCA084030R1720	58, 60	SM125-GM1926	7TCA084030R1773	25
PCSD-100106	7TCA084220R0288	47	PPJHX16S	7TCA084030R1721	58, 60	SM125-GM2632	7TCA084030R1775	25
PCSD-133140	7TCA084220R0289	47	RA-0612	7TCA084220R0328	31	SM125-GM3240	7TCA084030R1922	25
PCSD-1518	7TCA084220R0290	47	RA-1216	7TCA084220R0329	31	SM125-GM4047	7TCA084030R1923	25
PCSD-159165	7TCA084220R0291	47	RA-1418	7TCA084220R0330	31	SM125-GM4757	7TCA084030R1924	25
PCSD-2024	7TCA084220R0292	47	RA-1822	7TCA084220R0331	31	SM125-M	7TCA084030R1779	38
PCSD-2630	7TCA084220R0293	47	RA-2226	7TCA084220R0332	31	SM125-MR	7TCA084030R1918	38
PCSD-3236	7TCA084220R0294	47	RA-2630	7TCA084220R0333	31	SP-13B	7TCA084220R0385	52
PCSD-3842	7TCA084220R0295	47	RA-3034	7TCA084220R0334	31	SP-13O	7TCA084220R0387	52
PCSD-4750	7TCA084220R0296	47	RA-3438	7TCA084220R0335	31	SP-13R-FU	7TCA084220R0384	52
PCSD-6064	7TCA084220R0297	47	RA-3842	7TCA084220R0336	31	SP-13W	7TCA084220R0388	52
PCSD-7580	7TCA084220R0298	47	RA-4246	7TCA084220R0337	31	SP-19B	7TCA084220R0390	52
PD	7TCA084220R0299	11	RA-5054	7TCA084220R0338	31	SP-19O	7TCA084220R0393	52
PH-100	7TCA084220R0302	48	RA-5458	7TCA084220R0339	31	SP-19R	7TCA084220R0395	52
PH-125	7TCA084220R0304	48	RRCC-10	7TCA084220R0344	26	SP-19W	7TCA084220R0397	52
PH-150	7TCA084220R0306	48	RCC-13	7TCA084220R0345	26	SP-27B	7TCA084220R0399	52
PH-20-FU	7TCA084220R0308	48	RCC-15	7TCA084220R0346	26	SRH	7TCA084220R0406	10
PH-25-FU	7TCA084220R0310	48	RCC-20	7TCA084220R0347	26	SS-12	7TCA084220R0415	52
PH-32	7TCA084220R0313	48	RCC-25	7TCA084220R0348	26	SS-18-FU	7TCA084220R0417	52
PH-40	7TCA084220R0315	48	RCC-6-FU	7TCA084220R0349	26	SS-26	7TCA084220R0418	52
PH-50	7TCA084220R0317	48	RCC-8	7TCA084220R0350	26	SSCW100-2	7TCA084220R0420	50
PH-65	7TCA084220R0319	48	RM-055	7TCA084030R1735	8	SSCW100-3	7TCA084220R0422	50

## Appendix

### Part number index

Part. No.	GID No.	Page	Part. No.	GID No.	Page
SSCW100-4	7TCA084220R0423	50	VM03-AM10T	7TCA084030R1850	17
SSCW100-6	7TCA084220R0425	50	VM03-AM127	7TCA084030R1852	17
SSCW30-3	7TCA084220R0426	50	VM03-AM6T	7TCA084030R1853	17
SSCW30-4	7TCA084220R0428	50	VM03-AM8T	7TCA084030R1855	17
SSCW30-6	7TCA084220R0430	50	VM03-BM10	7TCA084030R1857	18
SSCW50-3	7TCA084220R0432	50	VM03-BM6	7TCA084030R1859	18
SSCW50-4	7TCA084220R0433	50	VM03-BM8	7TCA084030R1860	18
SSCW50-6	7TCA084220R0435	50	WN10	7TCA084220R0543	42
SSCWG-2	7TCA084220R0437	51	WN6	7TCA084220R0547	42
SSCWG-3	7TCA084220R0439	51	WN8	7TCA084220R0549	42
SSCWG-4	7TCA084220R0441	51	WT-23	7TCA084220R0551	51
SSCWG-6	7TCA084220R0443	51	WT-34	7TCA084220R0553	51
SSCWT-23	7TCA084220R0445	51	WT-6-FU	7TCA084220R0555	51
SSCWT-46	7TCA084220R0447	51	XM-6	7TCA084030R1863	56
SSWT-2	7TCA084220R0449	51	YH-1021	7TCA084220R0558	10
SSWT-34	7TCA084220R0451	51	YH-1533	7TCA084220R0560	10
SSWT-6	7TCA084220R0453	51	YH-3247	7TCA084220R0562	10
SSYH-1021	7TCA084220R0455	10	YHR-1618	7TCA084220R0564	30
SSYH-1533	7TCA084220R0457	10	YHR-1821	7TCA084220R0566	30
SSYH-3247	7TCA084220R0459	10	YHR-2427	7TCA084220R0568	30
SSYHR-1618	7TCA084220R0461	30	YHR-3034	7TCA084220R0570	30
SSYHR-1821	7TCA084220R0462	30	YHR-3438	7TCA084220R0572	30
SSYHR-2427	7TCA084220R0464	30	YHR-4751	7TCA084220R0574	30
SSYHR-3034	7TCA084220R0466	30	YHR-5963	7TCA084220R0576	30
SSYHR-3438	7TCA084220R0468	30	YM-127	7TCA084030R1865	12
SSYHR-4751	7TCA084220R0470	30			
SSYHR-5963	7TCA084220R0472	30			
TL10	7TCA084220R0477	18			
TM-03	7TCA084030R1823	8			
TM03-GM1219	7TCA084030R1824	26			
TM03-GM1926	7TCA084030R1825	26			
TM03-GM2632	7TCA084030R1826	26			
TM03-GM3240	7TCA084030R1827	26			
TM03-GM4047	7TCA084030R1828	26			
TM03-GM4757	7TCA084030R1829	26			
TM03-JM1825	7TCA084030R1830	27			
TM03-JM2229	7TCA084030R1831	27			
TM03-JM2933	7TCA084030R1832	27			
UM-26	7TCA084030R1834	56			
UM-44	7TCA084030R1835	56			
UM-67	7TCA084030R1837	56			
UM44-AM10T	7TCA084030R1838	16			
UM44-AM127	7TCA084030R1839	16			
UM44-AM6T	7TCA084030R1840	16			
UM44-AM8T	7TCA084030R1841	16			
UM44-BM10	7TCA084030R1842	16			
UM44-BM6	7TCA084030R1844	16			
UM44-BM8	7TCA084030R1845	16			
UM44-YM127	7TCA084030R1846	16			
V-1	7TCA084030R1847	54			
VM-03	7TCA084030R1848	8			



**Additional information**

We reserve the right to make technical changes or modify the contents of this document without prior notice. With regard to purchase orders, the agreed particulars shall prevail. ABB AG does not accept any responsibility whatsoever for potential errors or possible lack of information in this document.

We reserve all rights in this document and in the subject matter and illustrations contained therein. Any reproduction, disclosure to third parties or utilisation of its contents – in whole or in parts – is forbidden without prior written consent of ABB AG.







—  
**US**

ABB Installation Products  
Electrification Products division  
860 Ridge Lake Blvd.  
Memphis, TN 38120  
+1 901-252-5000

**[tnb.abb.com](http://tnb.abb.com)**