



A TEREX BRAND

Parts Manual

Serial Number Range

S-60

from S6016D-397 to S6016D-639

S-65

from S60D-640

S-60X

from S60TXD-651

S-65TRAX

Part No. 1271406

Rev: A11

June 2021

Technical Publications

Genie has endeavored to deliver the highest degree of accuracy possible. However, continuous improvement of our products is a Genie policy. Therefore, product specifications are subject to change without notice.

Readers are encouraged to notify Genie of errors and send in suggestions for improvement. All communications will be carefully considered for future printings of this and all other manuals.

Contact Us:

Internet: www.genielift.com
e-mail: awp.techpub@terex.com

Find a Manual for this Model

Go to <http://www.genielift.com>

Use the links to locate Operator's, Parts, Maintenance, and Service and Repair Manuals.

Copyright © 1992 by Terex South Dakota, Inc.

1271406 Rev A11 June 2021
Tenth Edition, Third Printing

Genie is a registered trademark of Terex South Dakota, Inc. in the USA and many other countries. "S" is a trademark of Terex South Dakota, Inc.

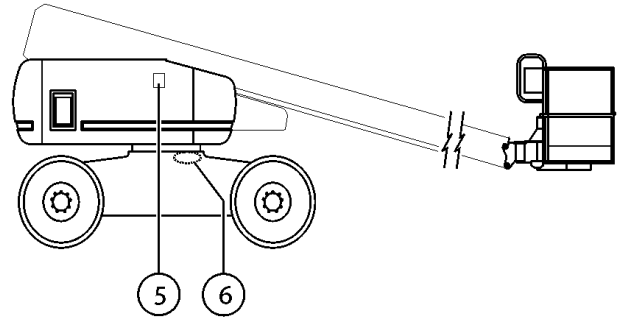


To August 31, 2016

Genie
A TEREX BRAND

Model:
Serial number: S6016D-12345
Manufacture date: 1/2/16 **Model year:** 2016
Electrical schematic number:
Machine unladen weight:
Rated work load (including occupants):
Maximum number of platform occupants:
Maximum allowable side force:
Maximum allowable inclination of the chassis:

S60 16 D - 12345
① ② ③ ④



- 1 Model
- 2 Model year
- 3 Facility code

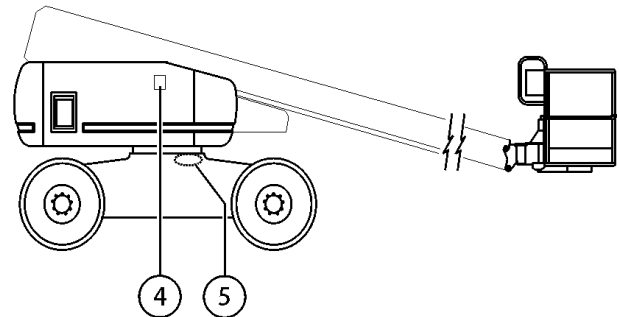
- 4 Sequence number
- 5 Serial label (located under cover)
- 6 Serial number (stamped on chassis)

From September 1, 2016

Genie
A TEREX BRAND

Model:
Serial number: S60D-12345
Year of manufacture: 2016
Electrical schematic number:
Machine unladen weight:
Rated work load (including occupants):
Maximum number of platform occupants:
Maximum allowable side force:
Maximum allowable inclination of the chassis:

S60 D - 12345
① ② ③



- 1 Model
- 2 Facility code
- 3 Sequence number

- 4 Serial label (located under cover)
- 5 Serial number (stamped on chassis)

How to Order Parts

Please be prepared with the following information when ordering replacement parts for your Terex or Genie product.

- Machine model number
- Machine serial number
- Part number
- Part description and quantity
- Purchase order number
- "Ship to" address
- Desired method of shipment
- Name and telephone number of the authorized distributor in your area

Use the Service Parts Fax Order Form on the next page and fax your order to our Parts Department.

If you don't know the name of your authorized distributor, or if your area is not currently serviced by an authorized distributor, please call Terex or Genie Industries.

Machine Information

Model

Serial Number

Date of Purchase

Authorized Genie Distributor

Phone Number

North America

Telephone (425)881-1800

Toll Free (800)536-1800 in US and Canada

Fax (425)556-8659

Toll Free fax (888)274-6192

Email AWP.PartsSalesPO@terex.com

<http://genielift.com/en>

EMEAR (Europe, Middle East, Africa and Russia)

Telephone (31)(165)519 313

Fax (31)(165)511 148

<http://genielift.co.uk>

Asia Pacific (Genie Singapore)

Telephone +65 6692 7777

Fax +65 6261 8893

<http://genielift.com.sg/>

Australia

Telephone (61)(7)3456 4444

Fax (61)(7)3456 4466

<http://genielift.com.au>

South America

Telephone (55)(11)4082 5600

Fax (55)(11)4082 5630

Required Parts

The following parts are required to perform maintenance procedures for your machine.

All Models:

Description	Part No.
Hydraulic Tank Filter.....	88917
Medium Pressure Filter.....	60857
High Pressure Filter.....	60857
Dielectric Grease.....	66399
Lithium Based Grease.....(source locally)	
Drive Hub Oil (refer to Service Manual)...(source locally)	

Perkins 404D-22 Models:

Description	Part No.
Air Filter Element.....	62420
Fuel/water Separator Element.....	62433
Engine Oil Filter.....	94762
V-belt.....	89765
Fuel Filter.....	62421

Perkins 404F-22 Models:

Description	Part No.
Air Filter Element.....	62420
Fuel/water Separator Element.....	62433
Engine Oil Filter.....	94762
V-belt (alternator & water pump).....	89765
V-belt (air pump).....	1253750
Fuel Filter Cartridge.....	62421
Fuel Filter Assembly.....	94889

Deutz TD2011-L03i Models:

Description	Part No.
Air Filter.....	62420
Fuel/water Separator Element.....	29560
Engine Oil Filter.....	49924
V-belt.....	32698

Deutz TD2011-L04i Models:

Description	Part No.
Air Filter.....	62425
Fuel/water Separator Element.....	29560
Engine Oil Filter.....	49924
V-belt.....	58630

Deutz D2.9L4 Models:

Description	Part No.
Air Filter.....	62420
Main Fuel Filter.....	214228
Fuel Filter/water Separator Element.....	236260
Engine Oil Filter.....	49924
V-belt (alternator & water pump).....	1253748
V-belt (air pump).....	1253750

Ford DSG-423 EFI Models:

Description	Part No.
Fuel Pre-Filter.....	119984
Engine Oil Filter.....	119139
Air Filter Element.....	77295
Serpentine Belt.....	119138
PCV Valve.....	119474
Spark Plug.....	119495

Recommended Parts

Description	Part No.
Genie Blue Paint, 1 Gallon.....	32150
Genie Blue Paint, 12 Ounce Aerosol.....	1484
Genie Gray Paint, 1 Gallon.....	32151
Genie Gray Paint, 12 Ounce Aerosol.....	1268
Plug and Cap Kit (for ORFS fittings).....	49613
Protractor Kit.....	58351

Manuals

Genie also offers the following support documents:

EMI Safety Manual.....	27581
Manual of Responsibilities ANSI A92.5.....	31779

Description	Page
100 Decals	12
101.1 Word, Hydraulic Tank Side,Non-Steer End, ANSI and Australia, S-60	12
101.2 Word, Hydraulic Tank Side,Non-Steer End, ANSI and Australia, S-65	18
102.1 Word, Engine Side, Steer End, ANSI and Australia, S-60	22
102.2 Word, Engine Side, Steer End, ANSI and Australia, S-65	26
103.1 Word, Booms, ANSI and Australia, S-60	30
103.2 Word, Booms, ANSI and Australia, S-65	32
104.1 Word, Platform, ANSI and Australia, S-60	34
104.2 Word, Platform, ANSI and Australia, S-65	38
105.1 Symbol, Hydraulic Tank Side,Non-Steer End, ANSI and CE, S-60	40
105.2 Symbol, Hydraulic Tank Side,Non-Steer End, ANSI and CE, S-65	44
106.1 Symbol, Engine Side, Steer End, ANSI and CE, S-60	48
106.2 Symbol, Engine Side, Steer End, ANSI and CE, S-65	50
107.1 Symbol, Booms, ANSI and CE, S-60	52
107.2 Symbol, Booms, ANSI and CE, S-65	54
108.1 Symbol, Platform, ANSI and CE, S-60	56
108.2 Symbol, Platform, ANSI and CE, S-65	58
200 Drive Chassis Components.....	60
201.1 Steer End	60
202.1 Non-steer End	66
203.1 Oscillate Valve	72
204.1 TraX Option Steer End	74
205.1 TraX Option Non-steer End	76
206.1 TraX Option Components	78
300 Turntable Components.....	82
301.1 Tank Side - View 1 (to SN S65D-2611)	82
301.2 Tank Side - View 1 (from SN S65D-2612)	86
302.1 Tank Side - View 2	90
303.1 Tank Side - Diesel Fuel Tank Installation	92
304.1 Ground Control Box, with Hour Meter - View 1, External, S-60	94
304.2 Ground Control Box, with Hour Meter - View 1, External, S-65	98
305.1 Ground Control Box, with Hour Meter - View 2, Internal	102
306.1 Engine Side	106
307.1 Turntable Covers	114
308.1 Wire Harness Diagram, S-60	118
308.2 Wire Harness Diagram, S-65	124
309.1 Ground Control Box, with LCD Readout Screen - View 1 External, S-60	130
310.1 Ground Control Box, with LCD Readout Screen - View 2 Internal, S-60	136

Table of Contents

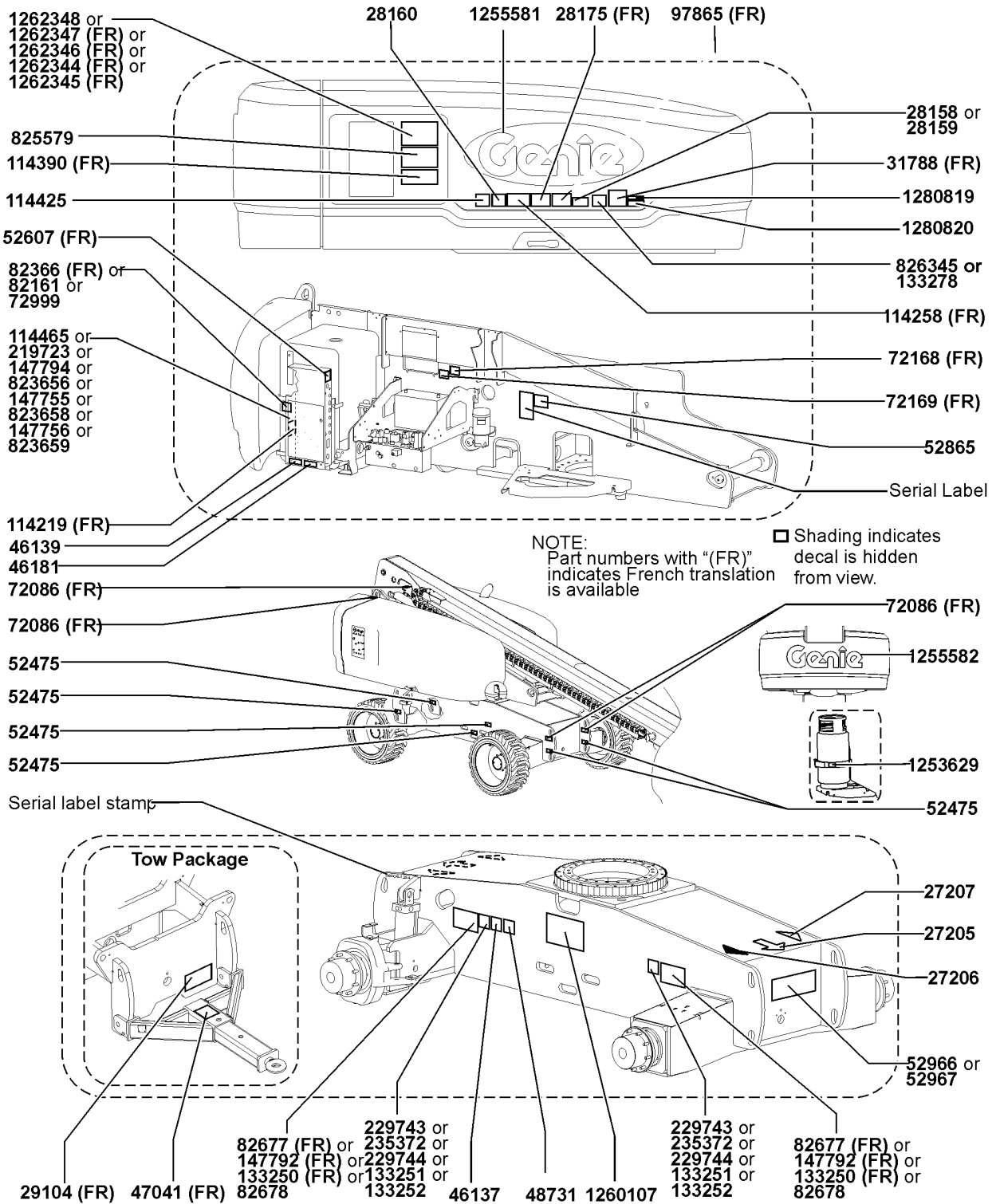
Description	Page
400 Manifolds and Pumps	140
401.1 Function Manifold, S-60	140
401.2 Function Manifold, S-65	146
402.1 Traction Manifold, 2WD	154
403.1 Traction Manifold, 4WD	156
404.1 Platform Rotate and Jib Boom/Platform Rotate Manifold	158
405.1 Pumps	160
406.1 Brake and 2 Speed Manifold	164
500 Engine Components	166
501.1 Perkins 404D-22	166
502.1 Deutz D2011L03i, View 1	174
503.1 Deutz TD2011L04i, View 1	180
504.1 Deutz TD2011L04i, View 2	186
505.1 Deutz D2.9L4, View 1	190
506.1 Deutz D2.9L4, View 2	194
507.1 Deutz D2.9L4, View 3	196
508.1 Deutz D2.9L4, View 4	198
509.1 Deutz D2.9L4, View 5	202
510.1 Deutz, D2011 CHINA III ,View 1	206
511.1 Deutz, D2011 CHINA III ,View 2	210
512.1 Deutz, D2011 CHINA III ,View 3	214
513.1 Deutz TD 2.9L Engine CHINA III - View 1	216
514.1 Deutz TD 2.9L Engine CHINA III - View 2	220
515.1 Deutz TD 2.9L Engine CHINA III - View 3	222
516.1 Deutz TD 2.9L Engine CHINA III - View 4	226
517.1 Deutz TD 2.9L Engine CHINA III - View 5	228
600 Boom Structure Components	232
601.1 Linkage Assembly, S-60	232
601.2 Linkage Assembly, S-65	238
602.1 Boom Components, View 1, S-60	244
602.2 Boom Components, View 1, S-65	250
603.1 Boom Components, View 2	256
604.1 Boom Limit Switch -S-60X, ANSI Models	260
605.1 Boom End Components, S-60, and S-65TraX	262
605.2 Boom End Components, S-60, and S-65TraX	264
606.1 Boom End Components, S-65	266
607.1 Boom End Components, S-60X	272
608.1 Boom End Components, Load Sense, S-60 and S-65 CE Models	274
609.1 Cable Track	276

Description	Page
700 Platform Components	280
701.1 Platform Installation (to SN S65D-1571)	280
701.2 Platform Installation (from SN S65D-1572)	284
702.1 Platform Control Box - View 1, External	288
703.1 Platform Control Box - View 2, Internal	294
704.1 Joysticks	298
800 Hydraulic Hose Routing and Fittings	300
801.1 Function Manifold, View 1	300
802.1 Function Manifold, View 2	304
803.1 4WD Traction Manifold	308
804.1 2WD Traction Manifold	312
805.1 Oscillate Option	314
806.1 Hydraulic Generator Option	316
807.1 Hydraulic Oil Cooler Option	318
900 Accessories	320
901.1 Drive Lights, Alarm and Beacon Packages	320
902.1 Platform Control Cover Option	322
903.1 Half Mesh and Platform Toeboard	324
904.1 Platform Work Lights	326
905.1 Air line and Power to Platform	328
906.1 Hostile Environment, Boom Wipers	330
907.1 Hostile Environment, Turntable Components	332
908.1 Hostile Environment, Cylinder Bellows and Cable Track	334
909.1 Hostile Environment, Engine Air Pre-Cleaners	336
910.1 Gauge Option	338
911.1 Hydraulic Oil Cooler Option	340
912.1 Hydraulic Generator	342
913.1 Operators Protection Alarm (to January 2017)	346
914.1 Lift Guard Contact Alarm Option (from January 2017)	350
915.1 Platform Options	354
916.1 Welder Ready Option, Chassis Components	356
917.1 Welder Ready Option, Platform Components	360
918.1 Welder Ready Option, Generator Components	364
919.1 Welder Ready Option, Manifold Components	366
920.1 Cold Start Package	368
921.1 Full Mesh (6 foot platform)	372
922.1 Full Mesh (8 foot platform)	374
923.1 Telematics Option	376
923.2 China Telematics Option, TZ200 ,Long	378

Table of Contents

Description	Page
924.1 400MM (15.75 IN.) WIDE TRACKS OPTION FOR TRAX	380
Part Number Index	384

101.1 Word, Hydraulic Tank Side, Non-Steer End, ANSI and Australia, S-60

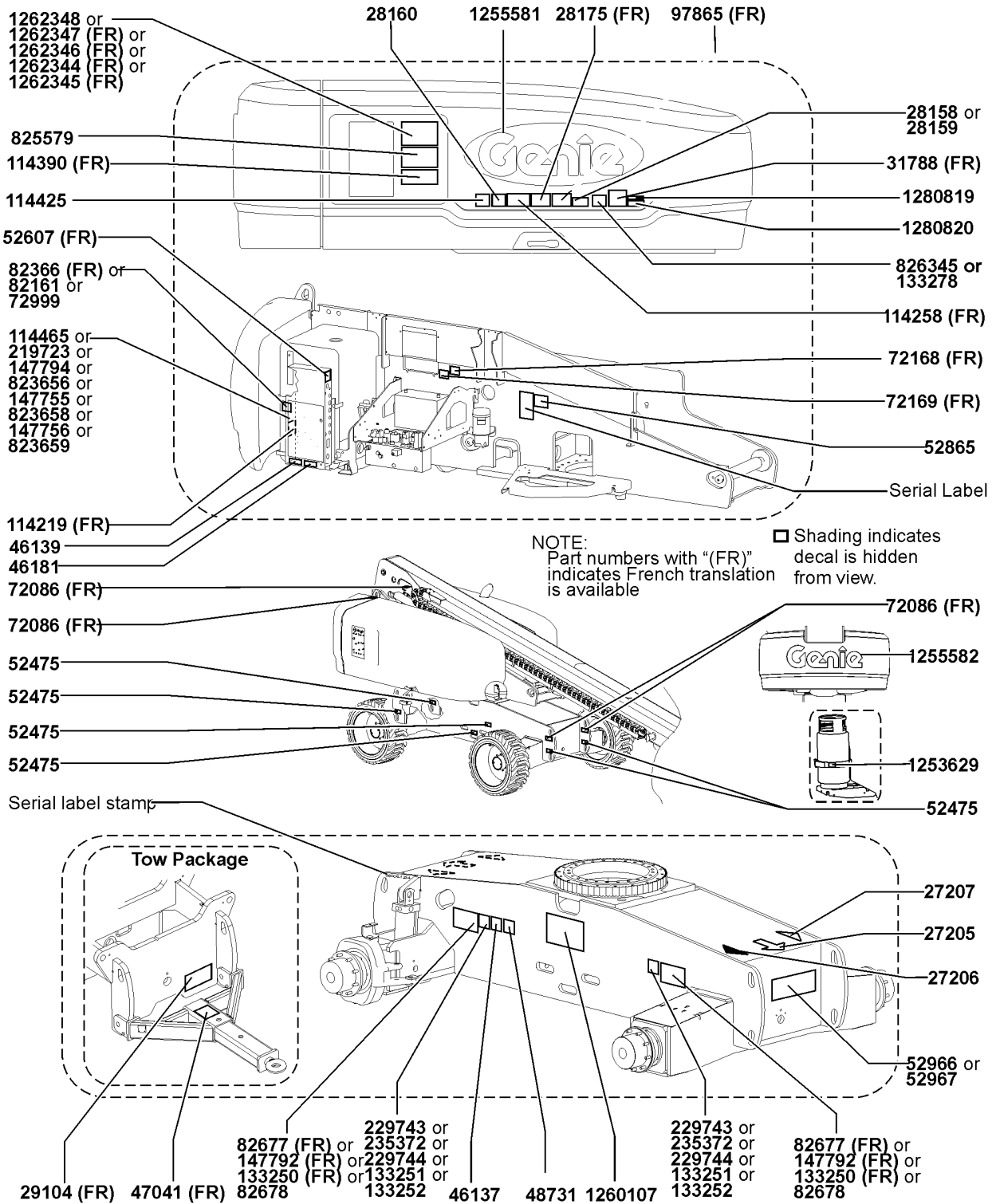


101.1 Word, Hydraulic Tank Side, Non-Steer End, ANSI and Australia, S-60

Item	Part No.	Description	Qty.
1	27205GT	DECAL,ARROW YELLOW LRG 9"	1
2	27206GT	DECAL,TRIANGLE,BLUE	1
3	27207GT	DECAL,TRIANGLE,YELLOW	1
4	28158GT	DECAL,LABEL,UNLEADED GAS ONLY	1
		Option, fuel	
5	28159GT	DECAL,DIESEL	1
		Option, fuel	
6	28160GT	DECAL,LABEL,LIQUID PROPANE	1
		Option, LPG Tank	
7	28175GT	DECAL,WARNING-COMPART ACCESS	1
8	29104GT	DECAL,TOWING INSTRUCTIONS	1
		Option, tow package	
9	31788GT	DECAL,DANGER,BATTERY SAFETY***	1
10	46137GT	DECAL,LPS (4"X4")	1
		Option, FMRC	
11	46139GT	L,NAMEPLT,USE UNDERWRITE LAB	1
		Option, FMRC	
12	46181GT	DECAL,FMRC APPROVAL,PLATE,LPS	1
		Option, FMRC	
13	47041GT	DECAL,CAUTION,TOWING SPEED	1
		Option, tow package	
14	48731GT	DECAL LABEL	1
15	52475GT	DECAL LABEL TRANSPORT TIE DOWN*	6
16	52607GT	DECAL,LABEL,TEST***	1
		(Ford Only)	
17	52865GT	DECAL,ANNUAL INSP***	1
		(ANSI Only)	
18	52966GT	DECAL,COSMETIC,4 X 2	1
		Option, drive	
19	52967GT	DECAL,COSMETIC,4 X 4	1
		Option, drive	
20	72086GT	DECAL,LABEL,LIFTING EYE	4
21	72168GT	DECAL,LABEL,STARTER BATTERY	1
		Option, dual battery	
22	72169GT	DECAL,LABEL,CONTROLS BATTERY	1
		Option, dual battery	
23	72999GT	DECAL,LABEL,PETRO CANADA***	1
		Option, hydraulic oil	
24	82161GT	DECAL,LABEL,UCON HYDROLUBE	1
		Option, hydraulic oil	
25	82366GT	DECAL,LABEL-CHEVRON RANDO	1
		Option, hydraulic oil	
26	82677GT	DECAL,DANGER/LABEL,TIRE SPECS	2
		(S-65 and S-60X, ANSI)	
27	82678GT	DECAL,DANGER,HI-FLOAT TIRE	2
		(S-65, S-60X and S-60XC, ANSI) Option, high floatation tires	
28	97865GT	DECAL,WARN,ELECTRO HAZARD	1



101.1 Word, Hydraulic Tank Side, Non-Steer End, ANSI and Australia, S-60

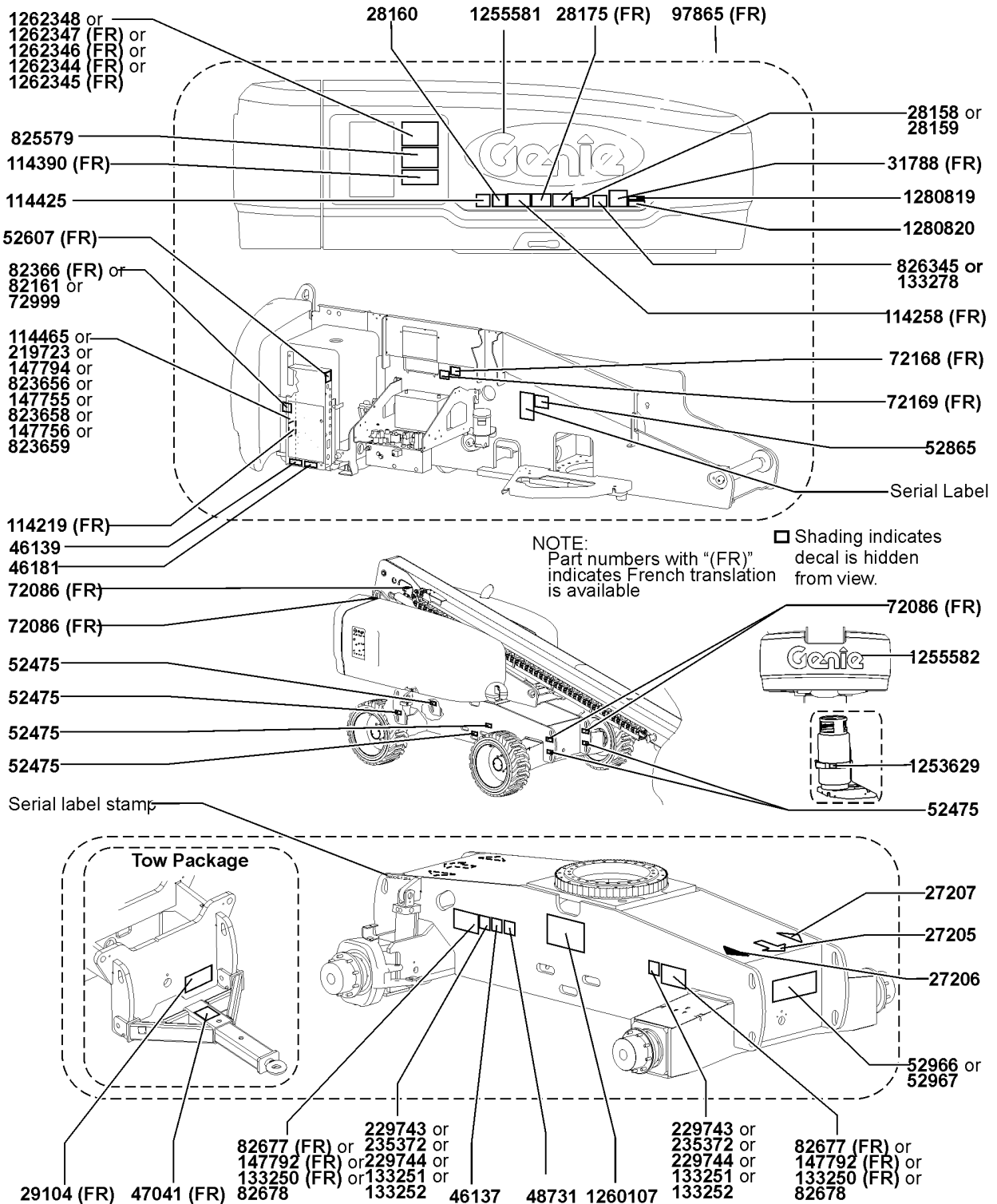


101.1 Word, Hydraulic Tank Side, Non-Steer End, ANSI and Australia, S-60

Item	Part No.	Description	Qty.
29	114219GT	DECAL,LABEL,RELAYS,S60&65	1
30	114258GT	DECAL,DANGER,NO SMOKING	1
31	114390GT	DECAL,DANGER,ELECT HAZARD***	1
32	114425GT	DECAL,BATTERY DISCONNECT Option, FMRC	1
33	114465GT	DECAL GROUND CONTROL BOX (S-60, S-65, S-60 Trax and S-65 Trax - AUS) (S-65 and S-65 Trax, ANSI, Deutz D2011L3i, Deutz TD2011L04i and Perkins 404D-22)	1
34	133250GT	DECAL,DANGER TIP OVER TRAX (S-60 Trax and S-65 Trax)	2
35	133251GT	DECAL, WHEEL LOAD S60TRAX (S-60 Trax)	2
37	133278GT	DECAL,LOW/ULTRA LOW SULFUR FUEL (Deutz D2011L3i, Deutz TD2011L04i and Perkins 404D-22)	1
38	147755GT	DECAL,GR CNTL PNL 60X 80X (S-60X, ANSI, Deutz D2011L3i, Deutz TD2011L04i and Perkins 404D-22)	1
39	147756GT	DECAL,GR CNTL PNL 60XC (S-60XC, ANSI, Deutz D2011L3i, Deutz TD2011L04i and Perkins 404D-22)	1
40	147792GT	DANGER, TIPOVR, TIRES FF ONLY (S-60 and S-65, AUS) (S-60 XC, ANSI)	2
41	147794GT	DECAL,GR CNTL PNL 60TX (S-60 Trax, ANSI, Deutz D2011L3i, Deutz TD2011L04i and Perkins 404D-22)	1
42	219723GT	DECAL,GROUND BOX,TIER IV (S-65 and S-65 Trax, ANSI, Deutz D2.9L4)	1
43	229743GT	DECAL,LABEL,WHEEL LOAD S60/60X (S-60 and S-60X)	2
44	229744GT	DECAL,LABEL,WHEEL LOAD S60H/XC (S-60 XC)	2
46	823656GT	LABEL, GBOX, S60TX ANSI TIER 4 (S-60 Trax, ANSI, Deutz D2.9L4)	1
47	823658GT	LABEL, GBOX, S60X TIER 4 (S-60X, ANSI, Deutz D2.9L4)	1
48	823659GT	LABEL, GBOX, S60X TIER 4 (S-60XC, ANSI, Deutz D2.9L4)	1
49	825579GT	DECAL, LCD, TIER 4 (Deutz D2.9L4)	1
50	826345GT	DECAL,ULS DIESEL ONLY,TIER 4 (Deutz D2.9L4)	1
51	1253629GT	DECAL,LP BOTTLE,S60 Option, FMRC	1
52	1255581GT	DECAL,COSMETIC, 10" GENIE BLUE	1
53	1255582GT	DECAL COSMETIC,15" GENIE BLUE	1
54	1260107GT	DECAL, TRANSPORT/LIFTING, S60	1
55	1262344GT	DECAL, OPERATING INSTRUCTIONS (S-60X, ANSI)	1
56	1262345GT	DECAL, OPERATING INSTRUCTIONS (S-60XC, ANSI)	1
57	1262346GT	DECAL, OPERATING INSTRUCTIONS (S-60 Trax, ANSI)	1
58	1262348GT	DECAL, OPERATING INSTRUCTIONS (S-60, S-65, S-60 Trax and S-65 Trax - AUS)	1



101.1 Word, Hydraulic Tank Side, Non-Steer End, ANSI and Australia, S-60

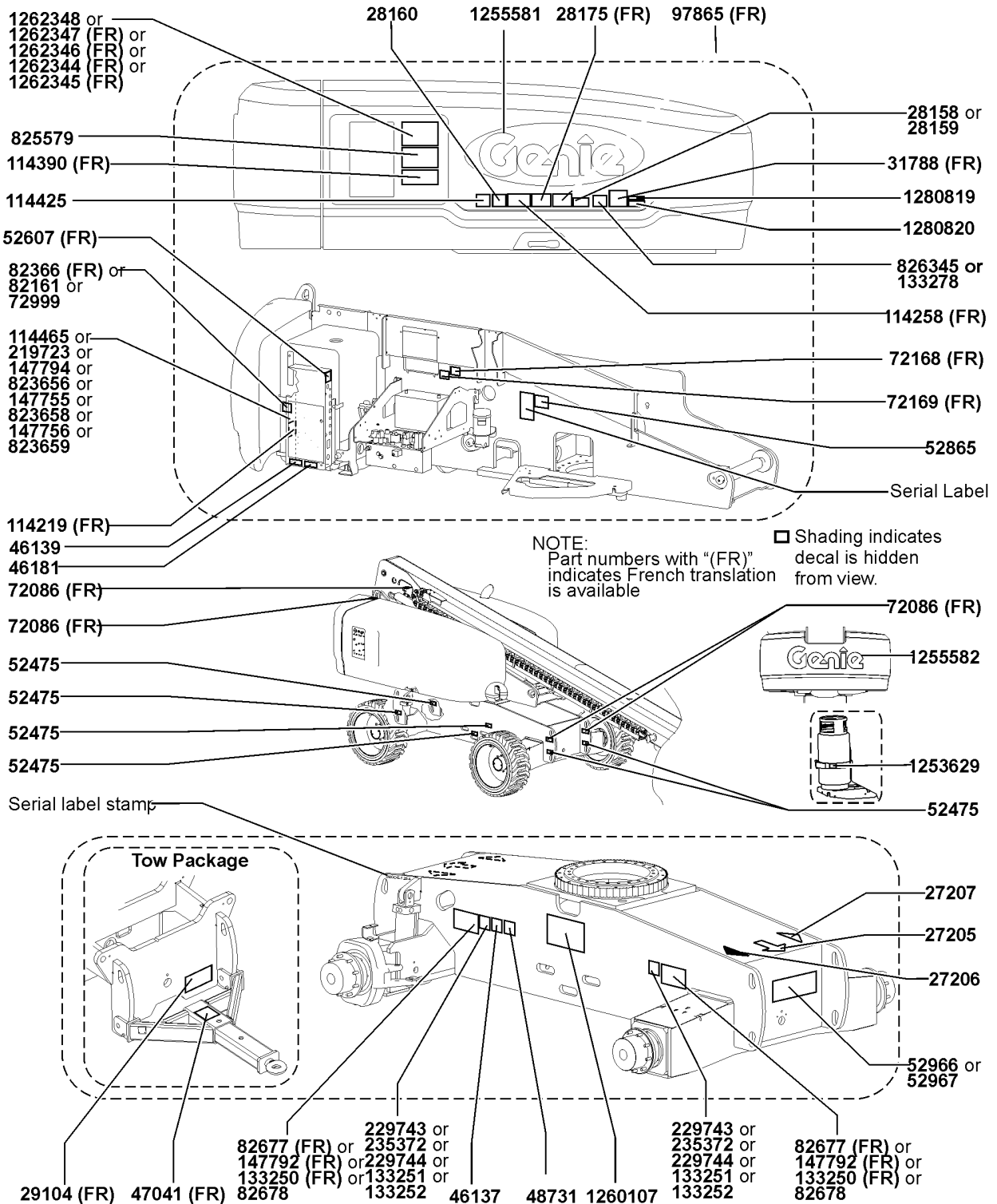


101.1 Word, Hydraulic Tank Side, Non-Steer End, ANSI and Australia, S-60

<i>Item</i>	<i>Part No.</i>	<i>Description</i>	<i>Qty.</i>
60	1280819GT	DECAL,DANGER,ELECT HAZARD***	1
61	1280820GT	DECAL,FUEL,DIESEL EXHAUST, PROP 65	1



101.2 Word, Hydraulic Tank Side, Non-Steer End, ANSI and Australia, S-65

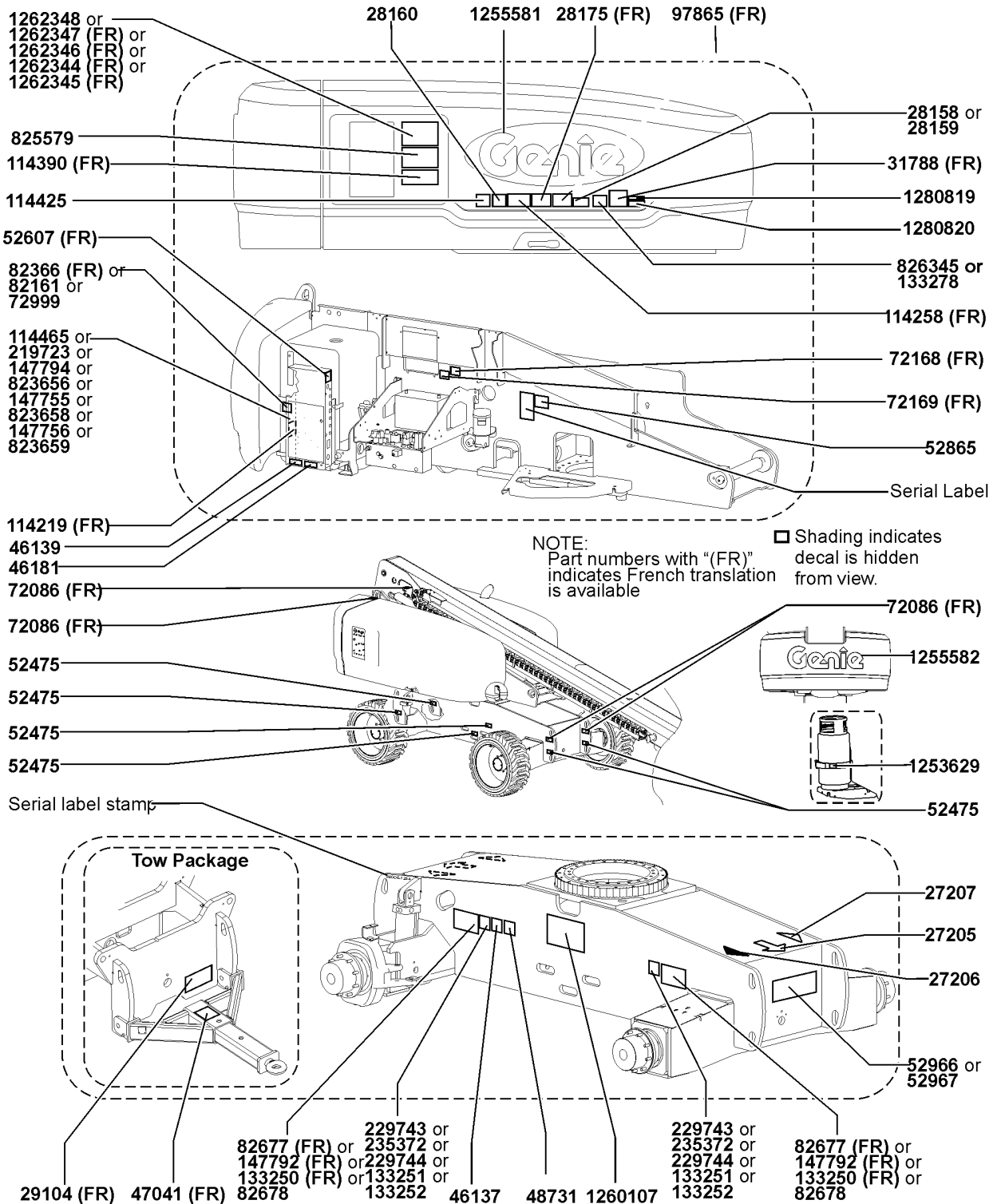


101.2 Word, Hydraulic Tank Side, Non-Steer End, ANSI and Australia, S-65

Item	Part No.	Description	Qty.
1	27205GT	DECAL,ARROW YELLOW LRG 9"	1
2	27206GT	DECAL,TRIANGLE,BLUE	1
3	27207GT	DECAL,TRIANGLE,YELLOW	1
4	28158GT	DECAL,LABEL,UNLEADED GAS ONLY	1
		Option, fuel	
5	28159GT	DECAL,DIESEL	1
		Option, fuel	
6	28160GT	DECAL,LABEL,LIQUID PROPANE	1
		Option, LPG Tank	
7	28175GT	DECAL,WARNING-COMPART ACCESS	1
8	29104GT	DECAL,TOWING INSTRUCTIONS	1
		Option, tow package	
9	31788GT	DECAL,DANGER,BATTERY SAFETY***	1
10	46137GT	DECAL,LPS (4"X4")	1
		Option, FMRC	
11	46139GT	L,NAMEPLT,USE UNDERWRITE LAB	1
		Option, FMRC	
12	46181GT	DECAL,FMRC APPROVAL,PLATE,LPS	1
		Option, FMRC	
13	47041GT	DECAL,CAUTION,TOWING SPEED	1
		Option, tow package	
14	48731GT	DECAL LABEL	1
15	52475GT	DECAL LABEL TRANSPORT TIE DOWN*	6
16	52607GT	DECAL,LABEL,TEST***	1
		(Ford Only)	
17	52865GT	DECAL,ANNUAL INSP***	1
		(ANSI Only)	
18	52966GT	DECAL,COSMETIC,4 X 2	1
		Option, drive	
19	52967GT	DECAL,COSMETIC,4 X 4	1
		Option, drive	
20	72086GT	DECAL,LABEL,LIFTING EYE	4
21	72168GT	DECAL,LABEL,STARTER BATTERY	1
		Option, dual battery	
22	72169GT	DECAL,LABEL,CONTROLS BATTERY	1
		Option, dual battery	
23	72999GT	DECAL,LABEL,PETRO CANADA***	1
		Option, hydraulic oil	
24	82161GT	DECAL,LABEL,UCON HYDROLUBE	1
		Option, hydraulic oil	
25	82366GT	DECAL,LABEL-CHEVRON RANDO	1
		Option, hydraulic oil	
26	82677GT	DECAL,DANGER/LABEL,TIRE SPECS	2
		(S-65 and S-60X, ANSI)	
27	82678GT	DECAL,DANGER,HI-FLOAT TIRE	2
		(S-65, S-60X and S-60XC, ANSI) Option, high floatation tires	
28	97865GT	DECAL,WARN,ELECTRO HAZARD	1



101.2 Word, Hydraulic Tank Side, Non-Steer End, ANSI and Australia, S-65

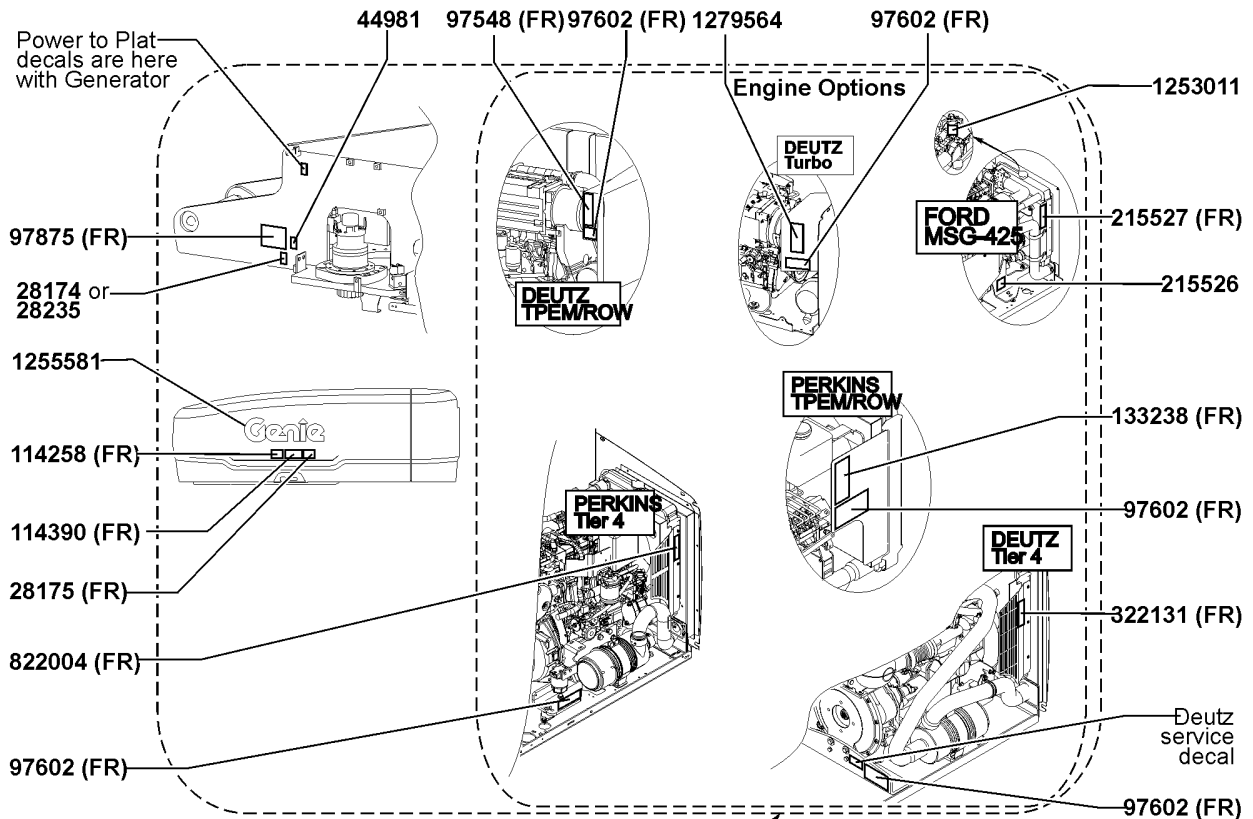


101.2 Word, Hydraulic Tank Side, Non-Steer End, ANSI and Australia, S-65

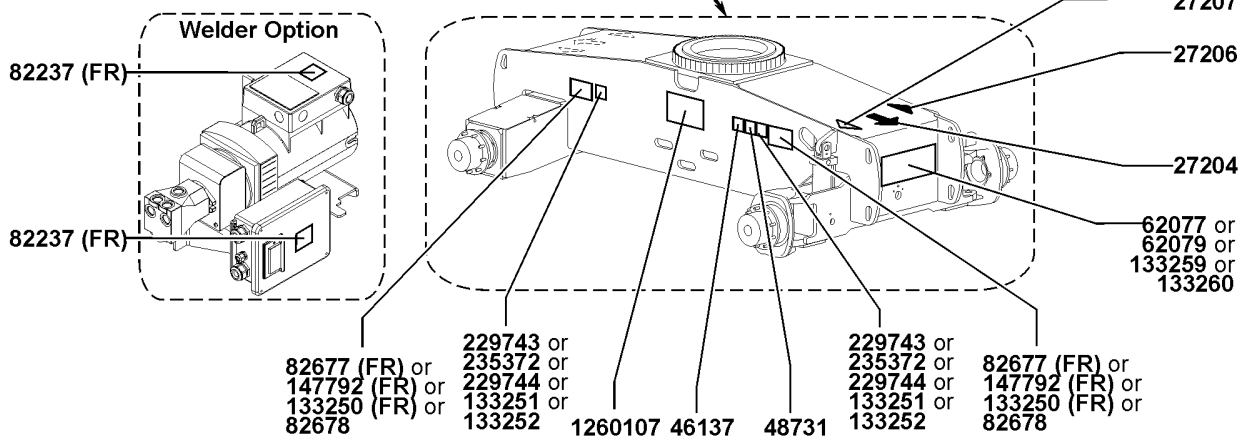
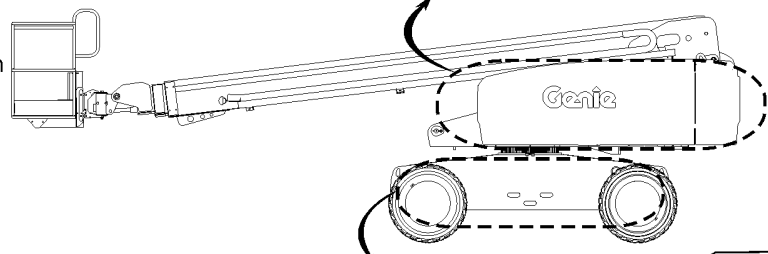
Item	Part No.	Description	Qty.
29	114219GT	DECAL,LABEL,RELAYS,S60&65	1
30	114258GT	DECAL,DANGER,NO SMOKING	1
31	114390GT	DECAL,DANGER,ELECT HAZARD***	1
32	114425GT	DECAL,BATTERY DISCONNECT Option, FMRC	1
33	114465GT	DECAL GROUND CONTROL BOX (S-60, S-65, S-60 Trax and S-65 Trax - AUS) (S-65 and S-65 Trax, ANSI, Deutz D2011L3i, Deutz TD2011L04i and Perkins 404D-22)	1
34	133250GT	DECAL,DANGER TIP OVER TRAX (S-60 Trax and S-65 Trax)	2
36	133252GT	DECAL, WHEEL LOAD S65 TRAX (S-65 Trax)	2
37	133278GT	DECAL,LOW/ULTRA LOW SULFUR FUEL (Deutz D2011L3i, Deutz TD2011L04i and Perkins 404D-22)	1
40	147792GT	DANGER, TIPOVR, TIRES FF ONLY (S-60 and S-65, AUS) (S-60 XC, ANSI)	2
41	147794GT	DECAL,GR CNTL PNL 60TX (S-60 Trax, ANSI, Deutz D2011L3i, Deutz TD2011L04i and Perkins 404D-22)	1
42	219723GT	DECAL,GROUND BOX,TIER IV (S-65 and S-65 Trax, ANSI, Deutz D2.9L4)	1
45	235372GT	DECAL,LABEL,WHEEL LOAD S65 (S-65)	2
49	825579GT	DECAL, LCD, TIER 4 (Deutz D2.9L4)	1
50	826345GT	DECAL,ULS DIESEL ONLY,TIER 4 (Deutz D2.9L4)	1
51	1253629GT	DECAL,LP BOTTLE,S60 Option, FMRC	1
52	1255581GT	DECAL,COSMETIC, 10" GENIE BLUE	1
53	1255582GT	DECAL COSMETIC,15" GENIE BLUE	1
54	1260107GT	DECAL, TRANSPORT/LIFTING, S60	1
57	1262346GT	DECAL, OPERATING INSTRUCTIONS (S-60 Trax, ANSI)	1
58	1262347GT	DECAL, OPERATING INSTRUCTIONS (S-65 and S-65 Trax, ANSI)	1
59	1262348GT	DECAL, OPERATING INSTRUCTIONS (S-60, S-65, S-60 Trax and S-65 Trax - AUS)	1
60	1280819GT	DECAL,DANGER,ELECT HAZARD***	1
61	1280820GT	DECAL,FUEL,DIESEL EXHAUST, PROP 65	1



102.1 Word, Engine Side, Steer End, ANSI and Australia, S-60



NOTE:
Part numbers with "(FR)"
indicates French translation
is available

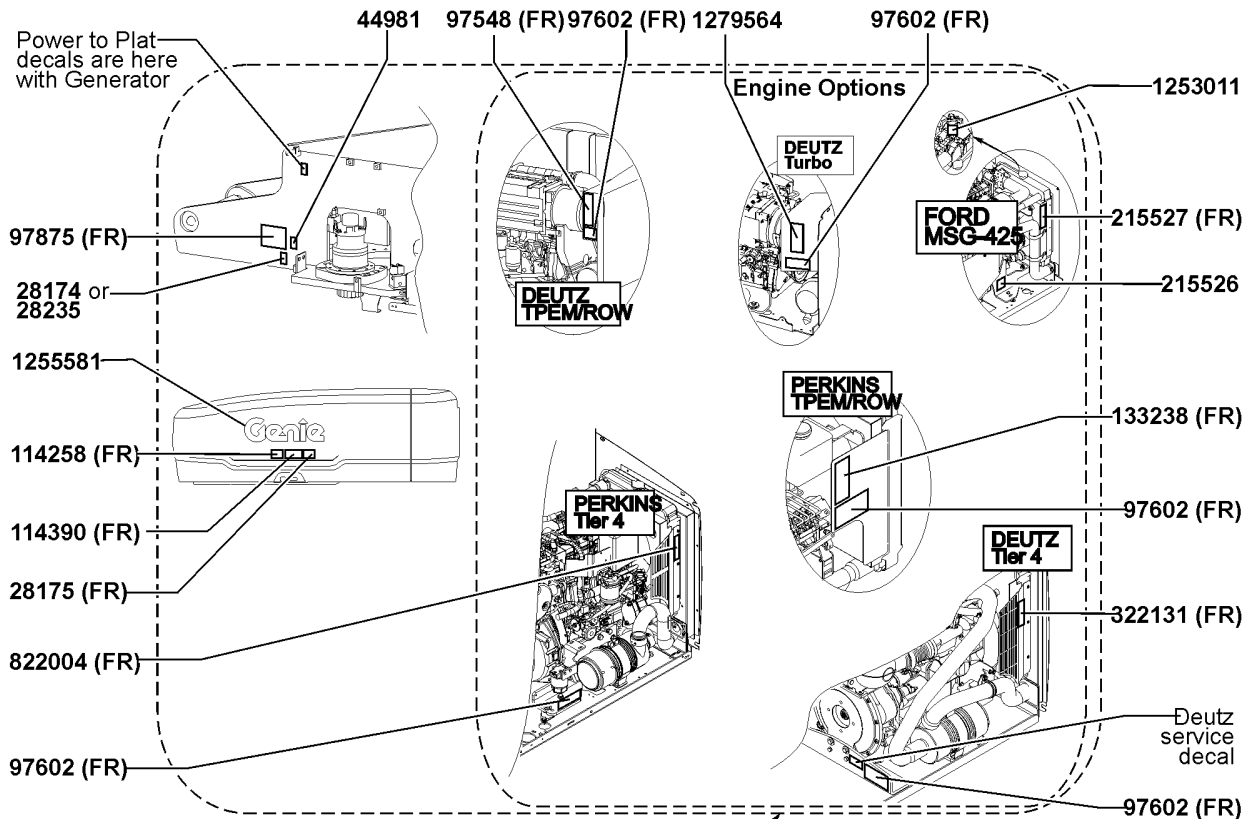


102.1 Word, Engine Side, Steer End, ANSI and Australia, S-60

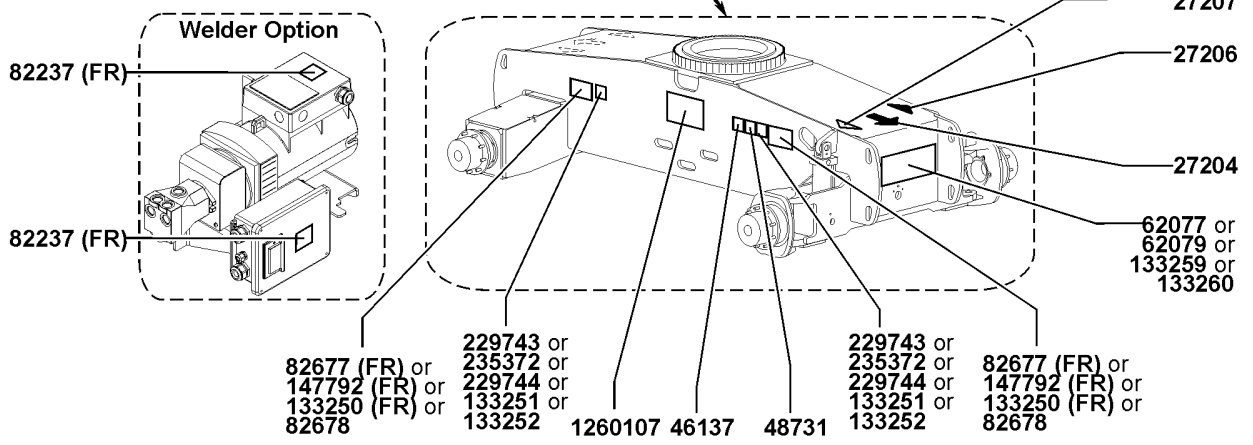
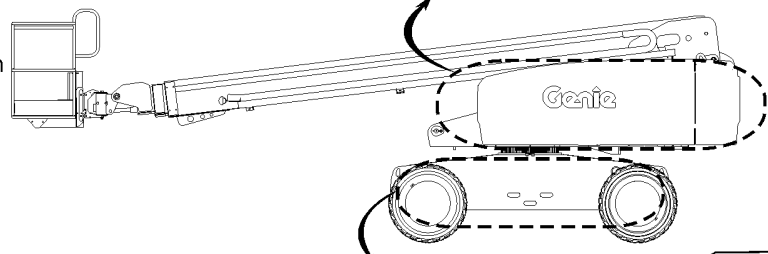
Item	Part No.	Description	Qty.
1	27204GT	DECAL,ARROW BLUE	1
2	27206GT	DECAL,TRIANGLE,BLUE	1
3	27207GT	DECAL,TRIANGLE,YELLOW	1
4	28174GT	DECAL,POWER TO PLATFORM 230V (Europe except UK)	1
5	28175GT	DECAL,WARNING-COMPART ACCESS	1
6	28235GT	DECAL,POWER TO PLATFORM 115V (US and UK)	1
7	44981GT	DECAL LABEL AIRLINE 110PSI Option, airline to plat	1
8	46137GT	DECAL,LPS (4"X4")	1
		Option, FMRC	
9	48731GT	DECAL LABEL	1
10	62077GT	DECAL,COSMETIC,S60 (S-60, S-60X and S-60XC)	1
12	82237GT	DECAL,DANGER,HIGH VOLTAGE Option, welder	2
13	82677GT	DECAL,DANGER/LABEL,TIRE SPECS (S-65 and S-60X, ANSI)	2
14	82678GT	DECAL,DANGER,HI-FLOAT TIRE (S-65, S-60X and S-60XC, ANSI) Option, high floatation tires	2
15	97548GT	DECAL,ENGINE SPEC,DEUTZ 2011 Deutz D2011L3i and Deutz TD2011L04i	1
15B	1278643GT	DECAL,ENGINE SPEC,DEUTZ CHINA III Deutz D436-L3i-CN3, from SN S65D-865	1
16	97602GT	DECAL,EXPLOSION HAZARD Diesel engines	1
17		DECAL,WARN,WELD LINE INST.WORD Option, weld cable line	1
18	114258GT	DECAL,DANGER,NO SMOKING	1
19	114390GT	DECAL,DANGER,ELECT HAZARD***	1
20	133238GT	DECAL,ENGINE SPEC,PERKINS*** Perkins 404D-22	1
21	133250GT	DECAL,DANGER TIP OVER TRAX (S-60 Trax and S-65 Trax)	2
22	133251GT	DECAL, WHEEL LOAD S60TRAX (S-60 Trax)	2
24	133259GT	DECAL,COSM, S60 TRAX (S-60 Trax)	1
26	147792GT	DANGER, TIPOVR, TIRES FF ONLY (S-60 and S-65, AUS) (S-60XC, ANSI)	2
27	215526GT	DECAL,LABEL,BELT,MSG425 Ford MSG-425	1
28	215527GT	DECAL,FORD ENGINE SPEC MSG425 Ford MSG-425	1
29	229743GT	DECAL,LABEL,WHEEL LOAD S60/60X (S-60 and S-60X)	2
30	229744GT	DECAL,LABEL,WHEEL LOAD S60H/XC (S-60XC)	2



102.1 Word, Engine Side, Steer End, ANSI and Australia, S-60



NOTE:
Part numbers with "(FR)"
indicates French translation
is available

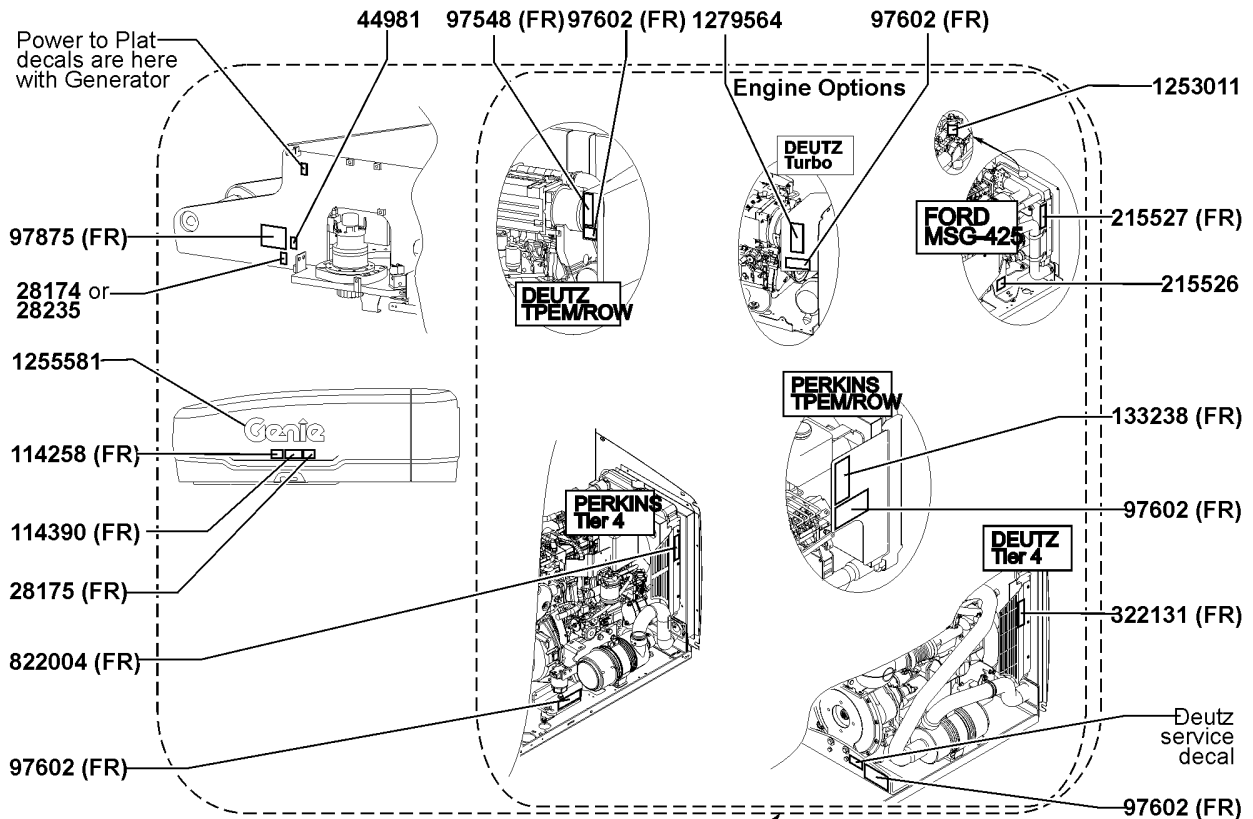


102.1 Word, Engine Side, Steer End, ANSI and Australia, S-60

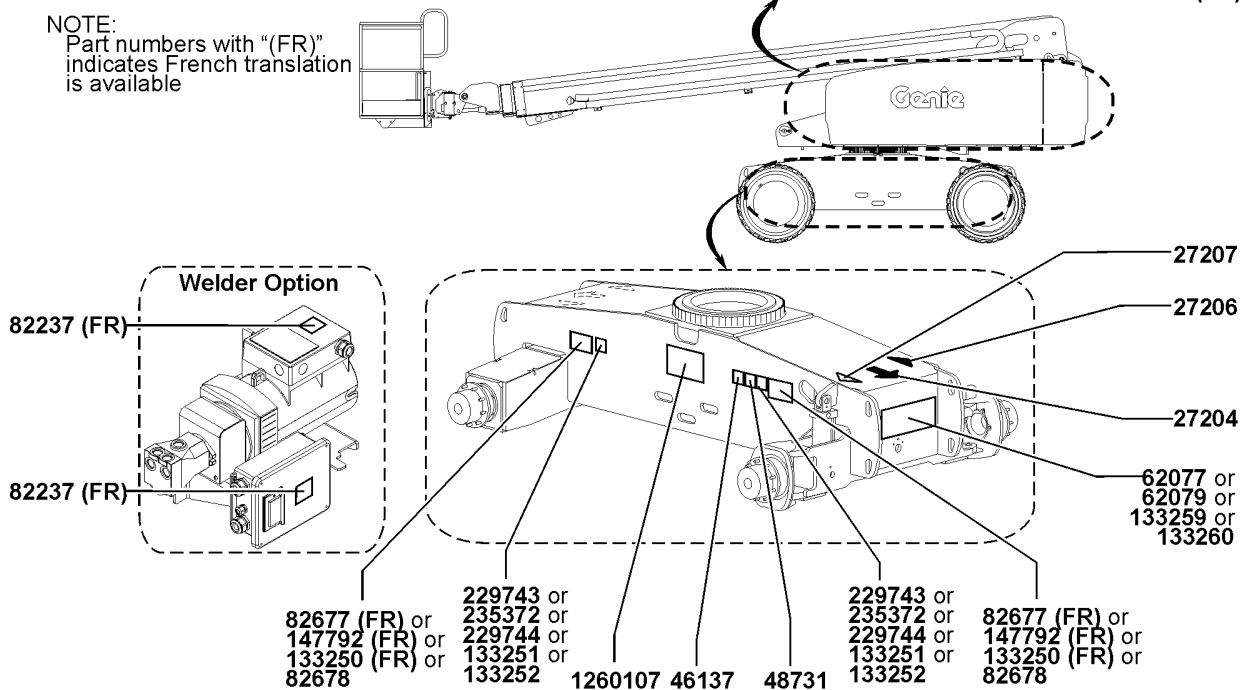
<i>Item</i>	<i>Part No.</i>	<i>Description</i>	<i>Qty.</i>
32	822004GT	DECAL, ENGINE SPEC, 404F-22 Perkins 404F-22	1
33	822131GT	DECAL, ENGINE SPEC, D2.9 Deutz D2.9L4	1
34	1253011GT	DECAL, VAPORIZER PRESSURE (Ford MSG-425 only) Option, FMRC	1
35	1255581GT	DECAL, COSMETIC, 10" GENIE BLUE	1
36	1260107GT	DECAL, TRANSPORT/LIFTING, S60	1
37	1279564GT	DECAL, ENGINE SPEC, DEUTZ, TD2011 Deutz turbo	1



102.2 Word, Engine Side, Steer End, ANSI and Australia, S-65



NOTE:
Part numbers with "(FR)" indicates French translation is available

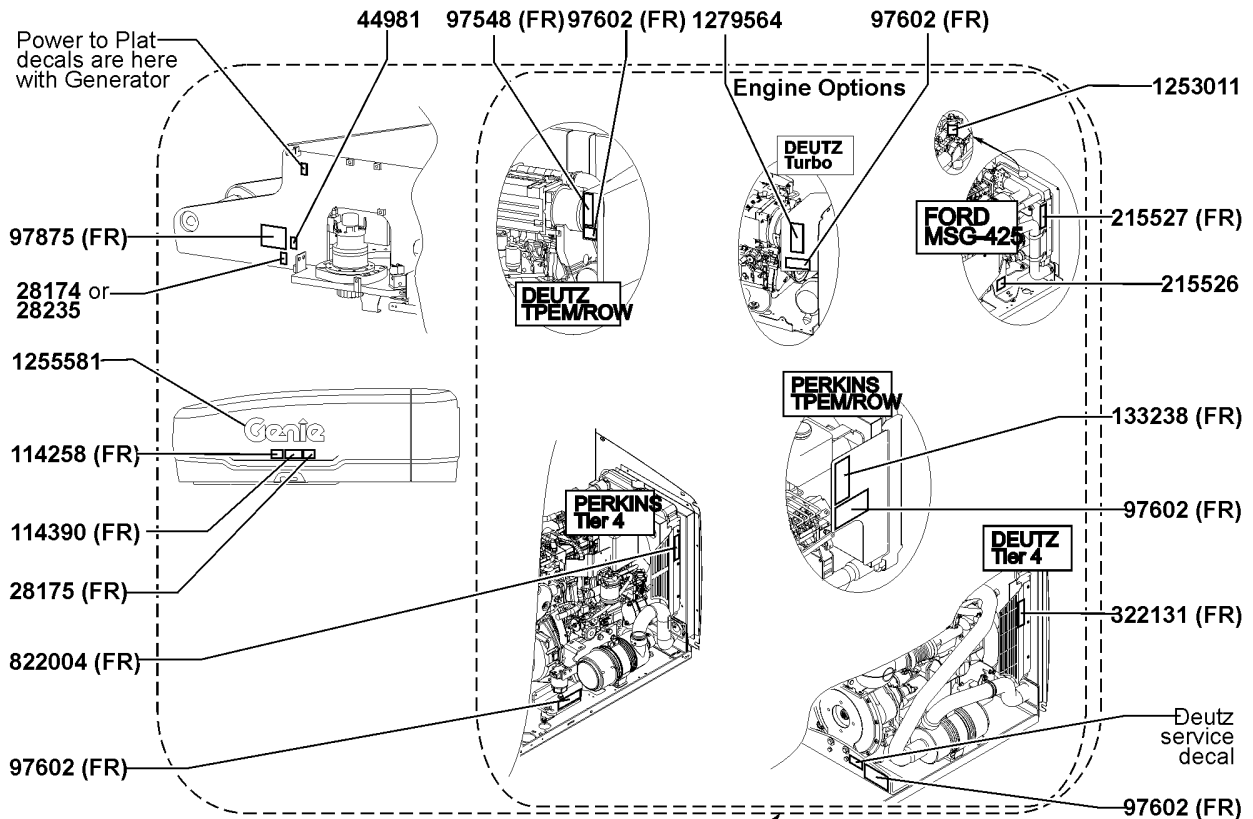


102.2 Word, Engine Side, Steer End, ANSI and Australia, S-65

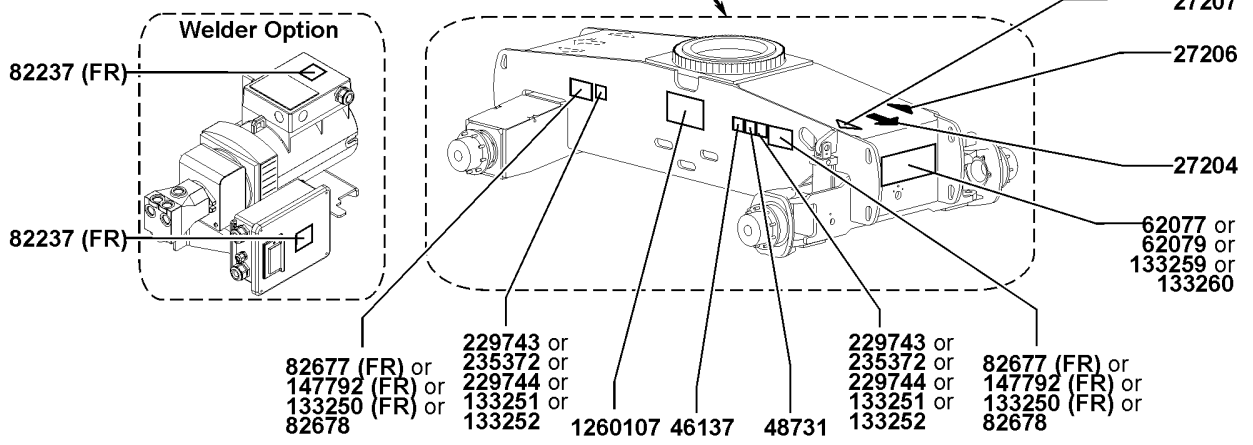
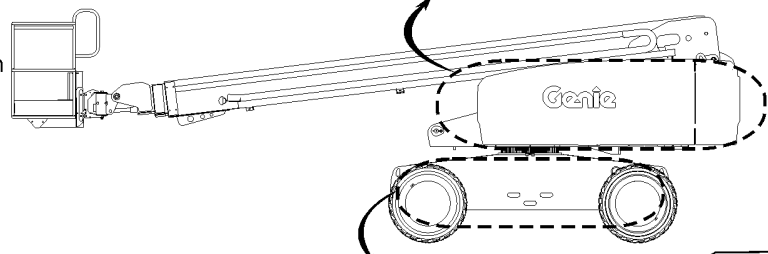
Item	Part No.	Description	Qty.
1	27204GT	DECAL,ARROW BLUE	1
2	27206GT	DECAL,TRIANGLE,BLUE	1
3	27207GT	DECAL,TRIANGLE,YELLOW	1
4	28174GT	DECAL,POWER TO PLATFORM 230V (Europe except UK)	1
5	28175GT	DECAL,WARNING-COMPART ACCESS	1
6	28235GT	DECAL,POWER TO PLATFORM 115V (US and UK)	1
7	44981GT	DECAL LABEL AIRLINE 110PSI Option, airline to plat	1
8	46137GT	DECAL,LPS (4"X4")	1
		Option, FMRC	
9	48731GT	DECAL LABEL	1
11	62079GT	DECAL,COSMETIC,S65 (S-65)	1
12	82237GT	DECAL,DANGER,HIGH VOLTAGE Option, welder	2
13	82677GT	DECAL,DANGER/LABEL,TIRE SPECS (S-65 and S-60X, ANSI)	2
14	82678GT	DECAL,DANGER,HI-FLOAT TIRE (S-65, S-60X and S-60XC, ANSI) Option, high floatation tires	2
15	97548GT	DECAL,ENGINE SPEC,DEUTZ 2011 Deutz D2011L3i and Deutz TD2011L04i	1
15B	1278643GT	DECAL,ENGINE SPEC,DEUTZ CHINA III Deutz D436-L3i-CN3, from SN S65D-865	1
16	97602GT	DECAL,EXPLOSION HAZARD Diesel engines	1
17		DECAL,WARN.WELD LINE INST.WORD Option, weld cable line	1
18	114258GT	DECAL,DANGER,NO SMOKING	1
19	114390GT	DECAL,DANGER,ELECT HAZARD***	1
20	133238GT	DECAL,ENGINE SPEC,PERKINS*** Perkins 404D-22	1
21	133250GT	DECAL,DANGER TIP OVER TRAX (S-60 Trax and S-65 Trax)	2
23	133252GT	DECAL, WHEEL LOAD S65 TRAX (S-65 Trax)	2
25	133260GT	DECAL,COSM, S65 TRAX (S-65 Trax)	1
26	147792GT	DANGER, TIPOVR, TIRES FF ONLY (S-60 and S-65, AUS) (S-60XC, ANSI)	2
27	215526GT	DECAL,LABEL,BELT,MSG425 Ford MSG-425	1
28	215527GT	DECAL,FORD ENGINE SPEC MSG425 Ford MSG-425	1
31	235372GT	DECAL,LABEL,WHEEL LOAD S65 (S-65)	2
32	822004GT	DECAL, ENGINE SPEC, 404F-22 Perkins 404F-22	1



102.2 Word, Engine Side, Steer End, ANSI and Australia, S-65



NOTE:
Part numbers with "(FR)"
indicates French translation
is available



102.2 Word, Engine Side, Steer End, ANSI and Australia, S-65

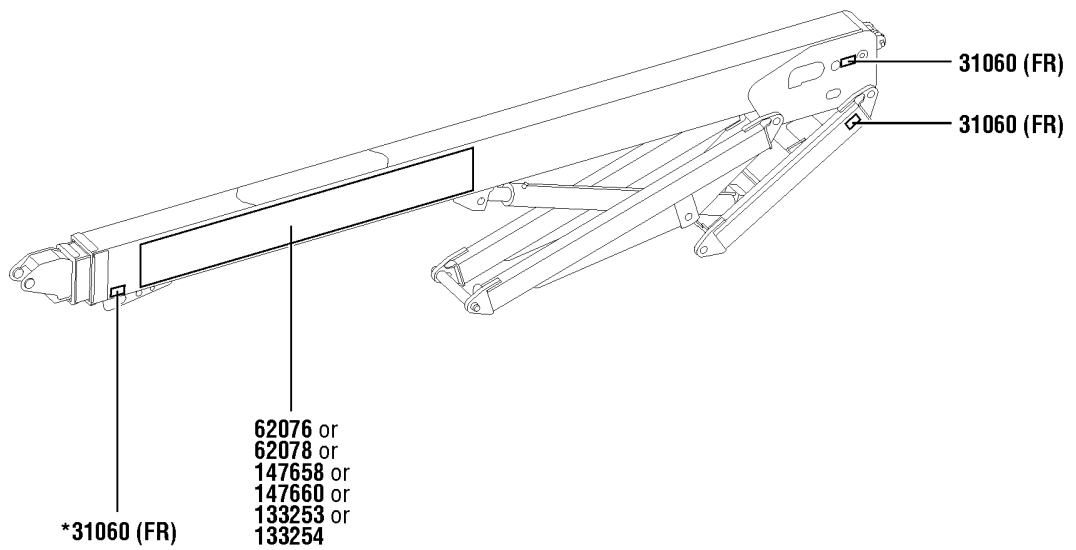
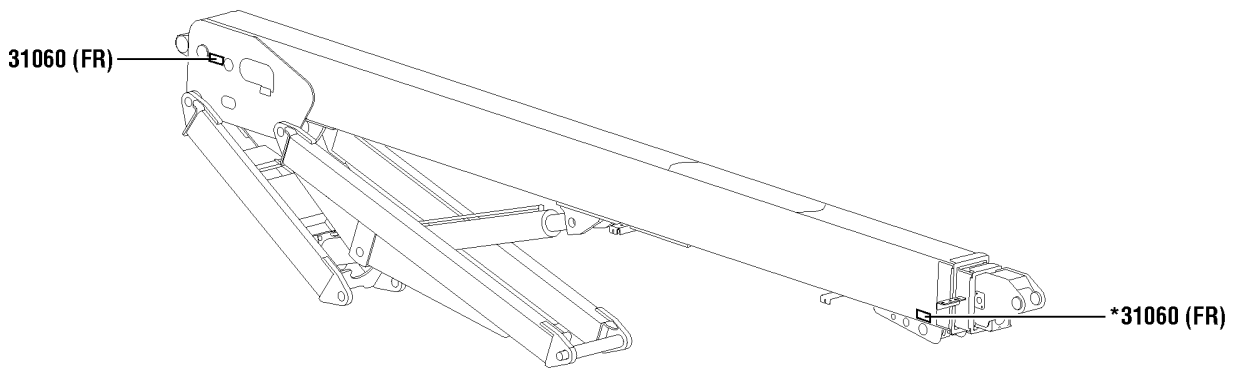
<i>Item</i>	<i>Part No.</i>	<i>Description</i>	<i>Qty.</i>
33	822131GT	DECAL, ENGINE SPEC, D2.9 Deutz D2.9L4	1
34	1253011GT	DECAL, VAPORIZER PRESSURE (Ford MSG-425 only) Option, FMRC	1
35	1255581GT	DECAL,COSMETIC, 10" GENIE BLUE	1
36	1260107GT	DECAL, TRANSPORT/LIFTING, S60	1
37	1279564GT	DECAL,ENGINE SPEC,DEUTZ,TD2011 Deutz turbo	1



103.1 Word, Booms, ANSI and Australia, S-60

NOTE:
Part numbers with "(FR)"
indicate French translation
is available

*For S-60X and S-60XC models only.



103.1 Word, Booms, ANSI and Australia, S-60

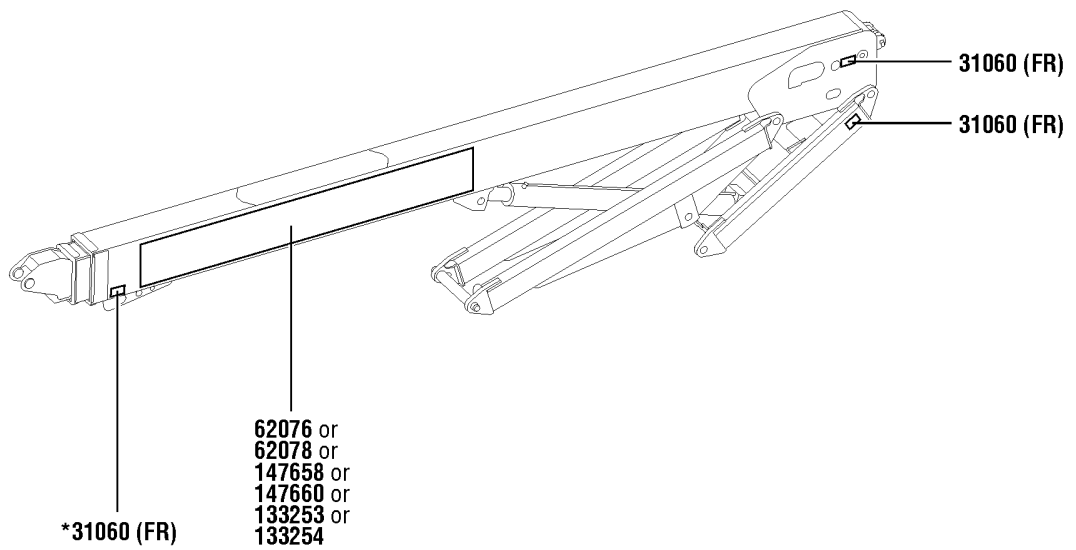
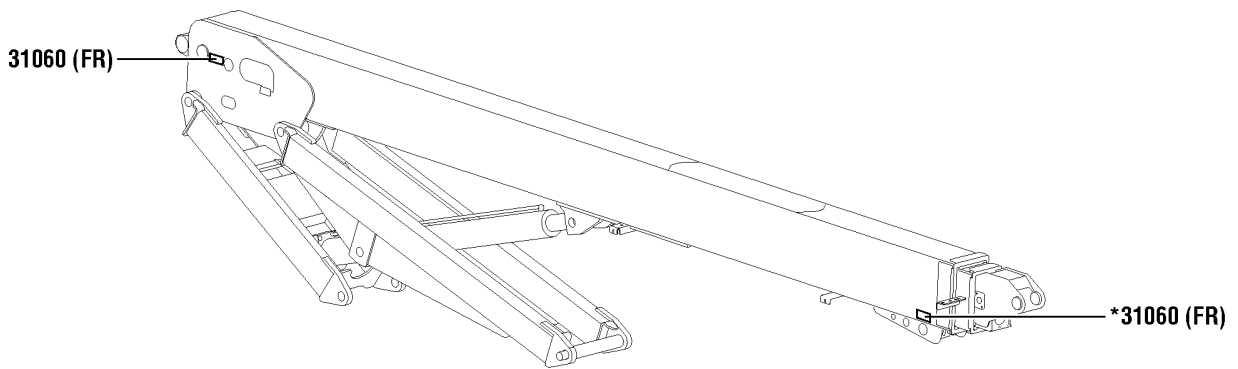
<i>Item</i>	<i>Part No.</i>	<i>Description</i>	<i>Qty.</i>
1	31060GT	DECAL,DANGER DO NOT ALTER SWTC	5
2	62076GT	DECAL,COSMETIC,GENIE S-60	1
4	133253GT	DECAL,COSM,GENIE S60 TRAX	1
6	147658GT	DECAL,COSM GENIE S60X	1
7	147660GT	DECAL,COSM GENIE S60XC	1



103.2 Word, Booms, ANSI and Australia, S-65

NOTE:
Part numbers with "(FR)"
indicate French translation
is available

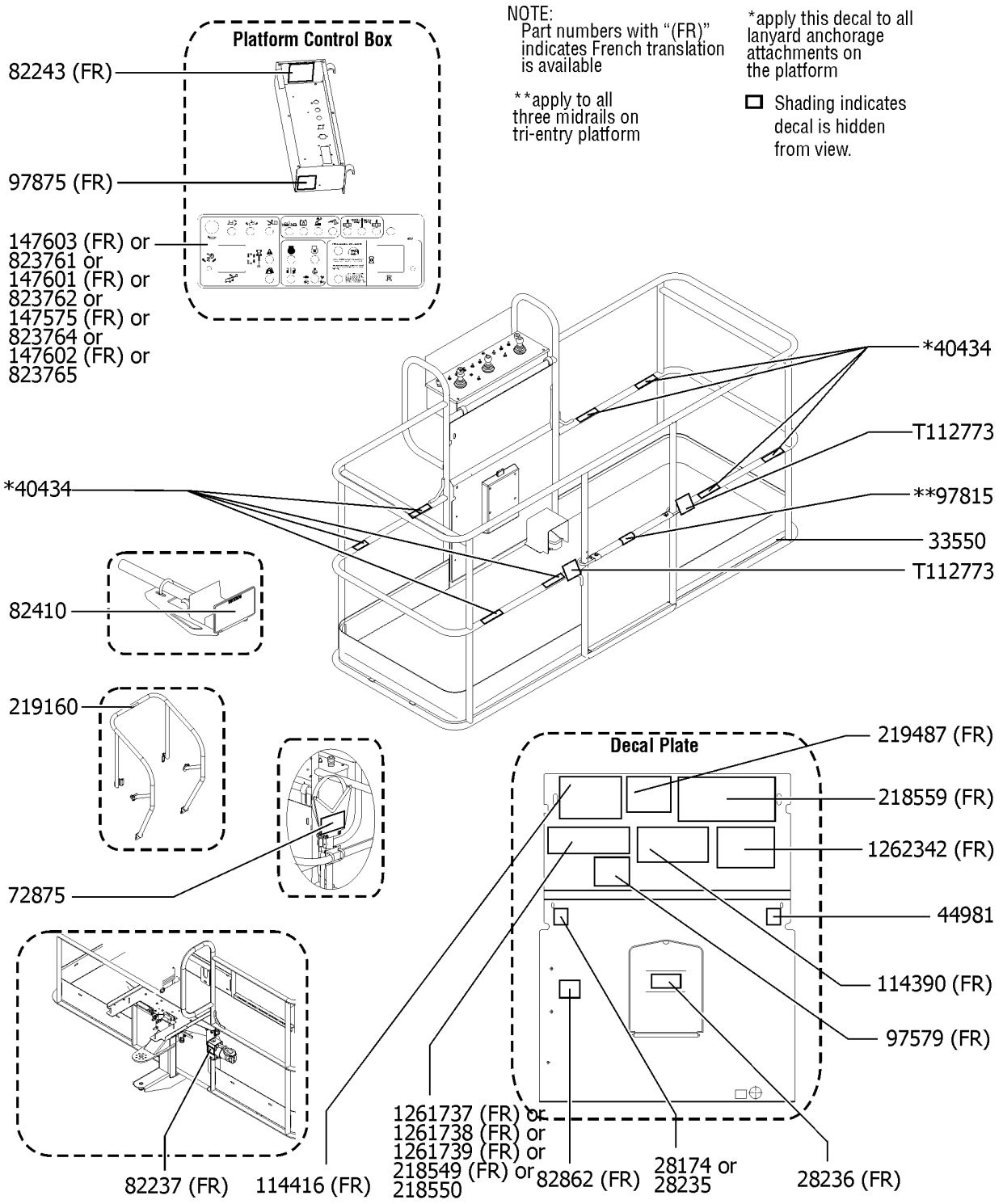
*For S-60X and S-60XC models only.



<i>Item</i>	<i>Part No.</i>	<i>Description</i>	<i>Qty.</i>
1	31060GT	DECAL,DANGER DO NOT ALTER SWTC	5
3	62078GT	DECAL,COSMETIC,GENIE S65	1
5	133254GT	DECAL, COSM,GENIE S65 TRAX	1



104.1 Word, Platform, ANSI and Australia, S-60



NOTE:
Part numbers with "(FR)"
indicates French translation
is available

**apply to all
three midrails on
tri-entry platform

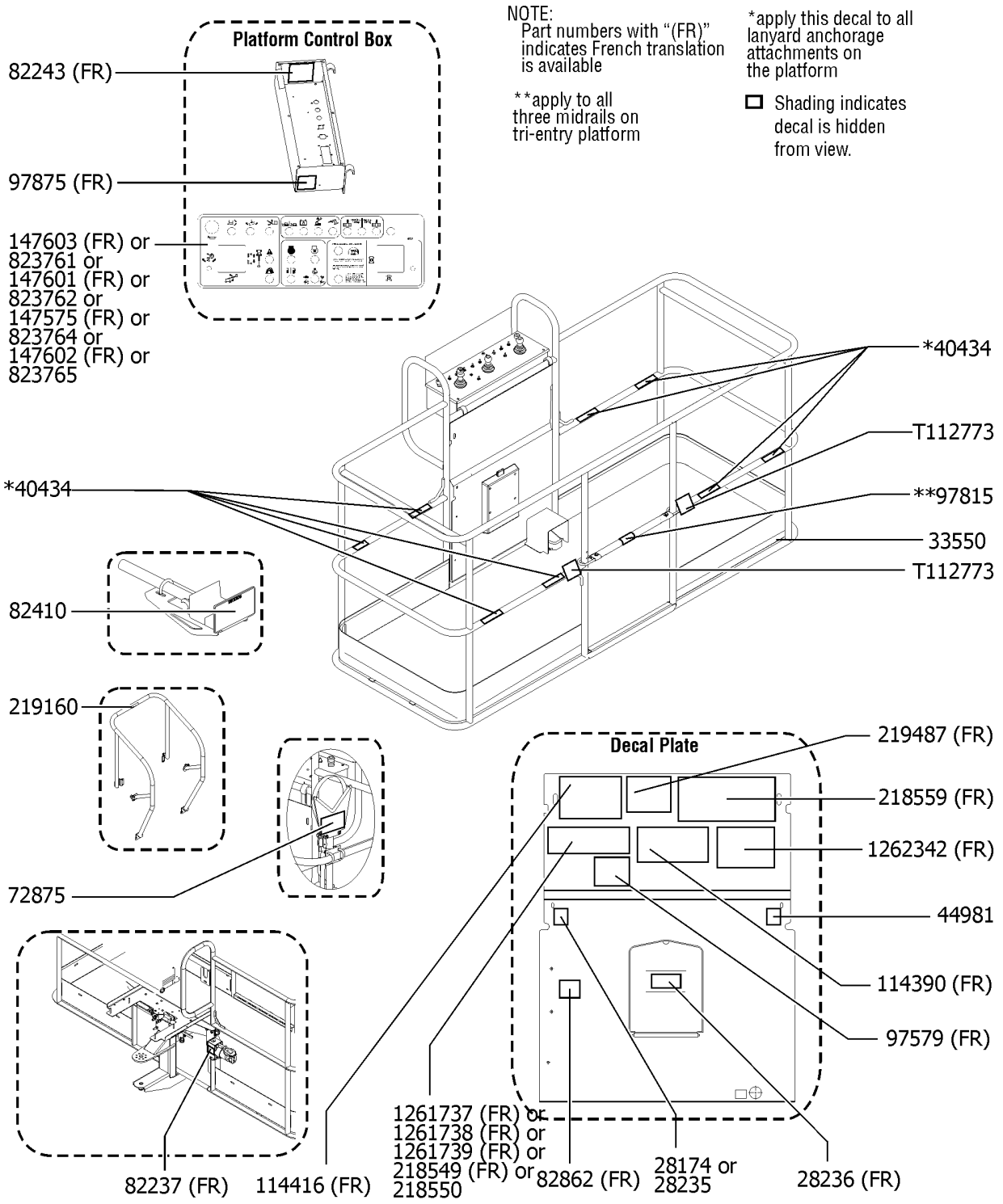
* apply this decal to all
lanyard anchorage
attachments on
the platform

☐ Shading indicates
decal is hidden
from view.

Item	Part No.	Description	Qty.
A	1296262GT	DECAL KIT ,S60/65 PLAT WRD,ANSI/AUS platform kit	
1	28174GT	DECAL,POWER TO PLATFORM 230V (Europe except UK)	1
2	28235GT	DECAL,POWER TO PLATFORM 115V (US and UK)	1
3	28236GT	DECAL,WARN,IMPROPER OPERATION	1
4	33550GT	TAPE,WARNING,BLK/YEL, 50'*** (Australia models) sold in a 50' roll, apply at base of platform toeboard	1
5	40434GT	DECAL,LANYARD ANCHORAGE POINT	8
6	44981GT	DECAL LABEL AIRLINE 110PSI Option, airline to plat	1
7	72875GT	DECAL,WARNING,PIPE CRADLE,BOOM Option, Pipe Cradle	2
8	82237GT	DECAL,DANGER,HIGH VOLTAGE Option, Welder	1
9	82243GT	DECAL FAULT CODE	1
10	82410GT	DECAL,WARNING,PANEL CRADLE Option, Panel Cradle	2
11	82862GT	DECAL,FIRE EXTINGUISHER Option, Welder	1
12	97579GT	DECAL,DANGER,TIP-OVER,WELDER** Option, Welder	1
13	97815GT	DECAL,LABEL,LOWER MIDRAIL	1
14		DECAL,WARN,WELD LINE INST.WORD Option, weld cable line	1
15	114390GT	DECAL,DANGER,ELECT HAZARD***	1
16	114416GT	DECAL,DANGER,TIPOVER,TILT	1
17	147575GT	DECAL, PLAT CNTL PNL 60X 80X (S-60X, ANSI, Deutz D2011L3i, Deutz TD2011L04i and Perkins 404D-22)	1
18	147601GT	DECAL, PLAT CNTL PNL 60TX (S-60 Trax, ANSI, Deutz D2011L3i, Deutz TD2011L04i and Perkins 404D-22)	1
19	147602GT	DECAL, PLAT CNTL PNL 60XC (S-60XC, ANSI, Deutz D2011L3i, Deutz TD2011L04i and Perkins 404D-22)	1
20	147603GT	DECAL, PLAT CNTL PNL (S-60, S-65, S-60 Trax and S-65 Trax - AUS) (S-65 and S-65 Trax, ANSI, Deutz D2011L3i, Deutz TD2011L04i and Perkins 404D-22)	1
22	218550GT	DECAL,DANGER,CAP,AUS WORD (S-60, S-65, S-60 Trax and S-65 Trax - AUS)	1
23	218559GT	DECAL,DANGER/WARNING COMBO	1
24	219160GT	DECAL, INSTRUCTION, OPS Option	1
25	219487GT	DECAL,PLATFORM OVERLOAD (AUS Only)	1
27	823762GT	LABEL, PBOX, S60TX ANSI TIER 4 (S-60 Trax, ANSI, Deutz D2.9L4)	1
28	823764GT	LABEL, PBOX, S60X TIER 4 (S-60X, ANSI, Deutz D2.9L4)	1
29	823765GT	LABEL, PBOX, S60XC TIER 4 (S-60XC, ANSI, Deutz D2.9L4)	1



104.1 Word, Platform, ANSI and Australia, S-60



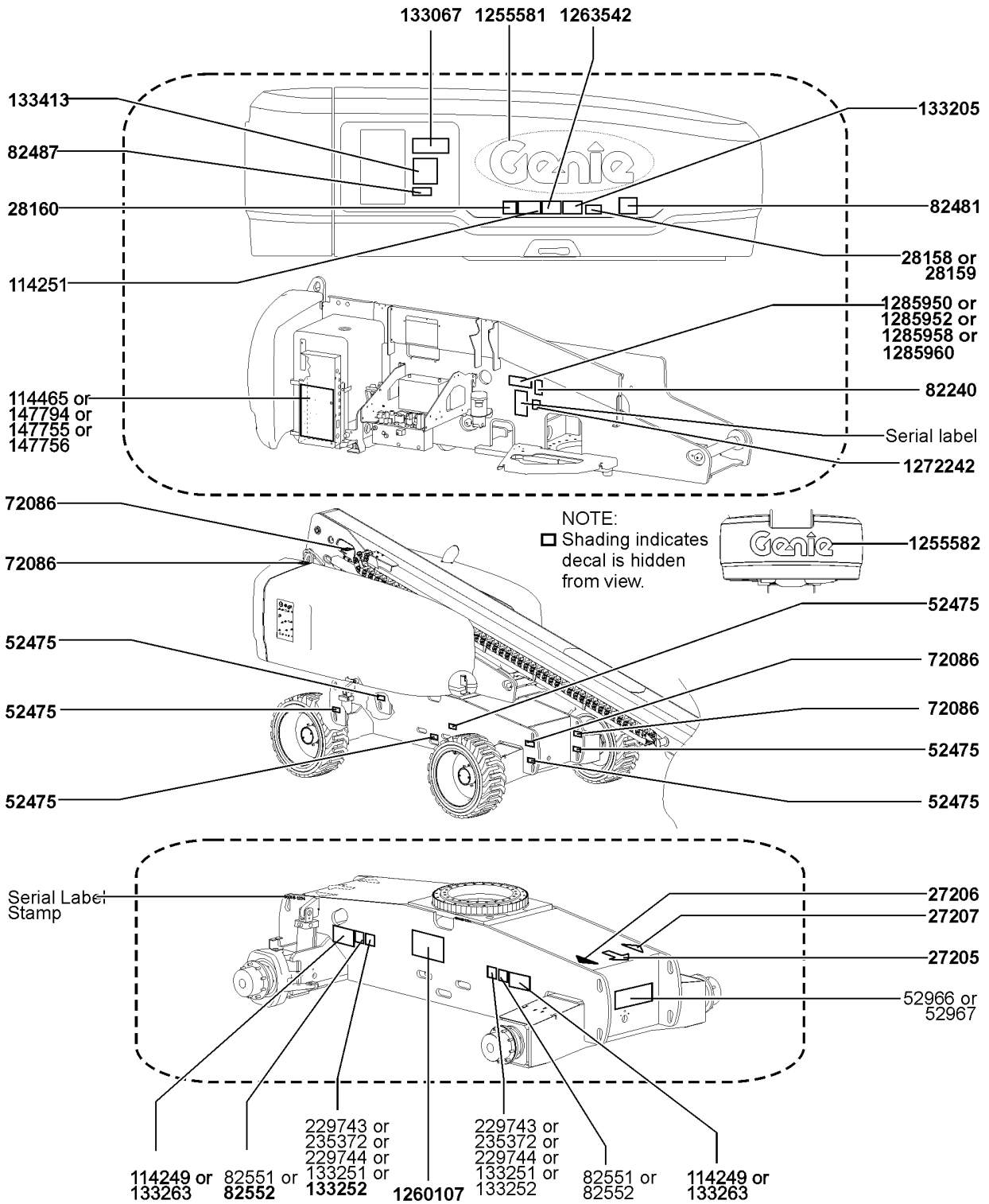
<i>Item</i>	<i>Part No.</i>	<i>Description</i>	<i>Qty.</i>
30	1261737GT	DECAL,INST PLAT CAP 60X,WORD (S-60X, ANSI)	1
31	1261738GT	DECAL,INST PLAT CAP 60XC,WORD (S-60XC, ANSI)	1
32	1261739GT	DECAL,INST PLAT CAP 60TX,WORD (S-60 Trax, ANSI)	1
33	1262342GT	DECAL,WORD,SLOPE RATING,S60	1
34	T112773GT	TAPE, PROTECTIVE MASK	2



Item	Part No.	Description	Qty.
A	1296262GT	DECAL KIT ,S60/65 PLAT WRD,ANSI/AUS platform kit	
34	T112773GT	TAPE, PROTECTIVE MASK	2
33	1262342GT	DECAL,WORD,SLOPE RATING,S60	1
26	823761GT	LABEL, PBOX, S65 TIER 4 (S-65 and S-65 Trax, ANSI, Deutz D2.9L4)	1
25	219487GT	DECAL,PLATFORM OVERLOAD (AUS Only)	1
24	219160GT	DECAL, INSTRUCTION, OPS Option	1
23	218559GT	DECAL,DANGER/WARNING COMBO	1
22	218550GT	DECAL,DANGER,CAP,AUS WORD (S-60, S-65, S-60 Trax and S-65 Trax - AUS)	1
21	218549GT	DECAL,DANGER,CAP,ANSI WORD (S-65, S-65 Trax, ANSI)	1
20	147603GT	DECAL, PLAT CNTL PNL (S-60, S-65, S-60 Trax and S-65 Trax - AUS) (S-65 and S-65 Trax, ANSI, Deutz D2011L3i, Deutz TD2011L04i and Perkins 404D-22)	1
16	114416GT	DECAL,DANGER,TIPOVER,TILT	1
15	114390GT	DECAL,DANGER,ELECT HAZARD***	1
14		DECAL,WARN.WELD LINE INST.WORD Option, weld cable line	1
13	97815GT	DECAL,LABEL,LOWER MIDRAIL	1
12	97579GT	DECAL,DANGER,TIP-OVER,WELDER** Option, Welder	1
11	82862GT	DECAL,FIRE EXTINGUISHER Option, Welder	1
10	82410GT	DECAL,WARNING,PANEL CRADLE Option, Panel Cradle	2
9	82243GT	DECAL FAULT CODE	1
8	82237GT	DECAL,DANGER,HIGH VOLTAGE Option, Welder	1
7	72875GT	DECAL,WARNING,PIPE CRADLE,BOOM Option, Pipe Cradle	2
6	44981GT	DECAL LABEL AIRLINE 110PSI Option, airline to plat	1
5	40434GT	DECAL,LANYARD ANCHORAGE POINT	8
4	33550GT	TAPE,WARNING,BLK/YEL, 50**** (Australia models) sold in a 50' roll, apply at base of platform toeboard	1
3	28236GT	DECAL,WARN,IMPROPER OPERATION	1
2	28235GT	DECAL,POWER TO PLATFORM 115V (US and UK)	1
1	28174GT	DECAL,POWER TO PLATFORM 230V (Europe except UK)	1



105.1 Symbol, Hydraulic Tank Side, Non-Steer End, ANSI and CE, S-60

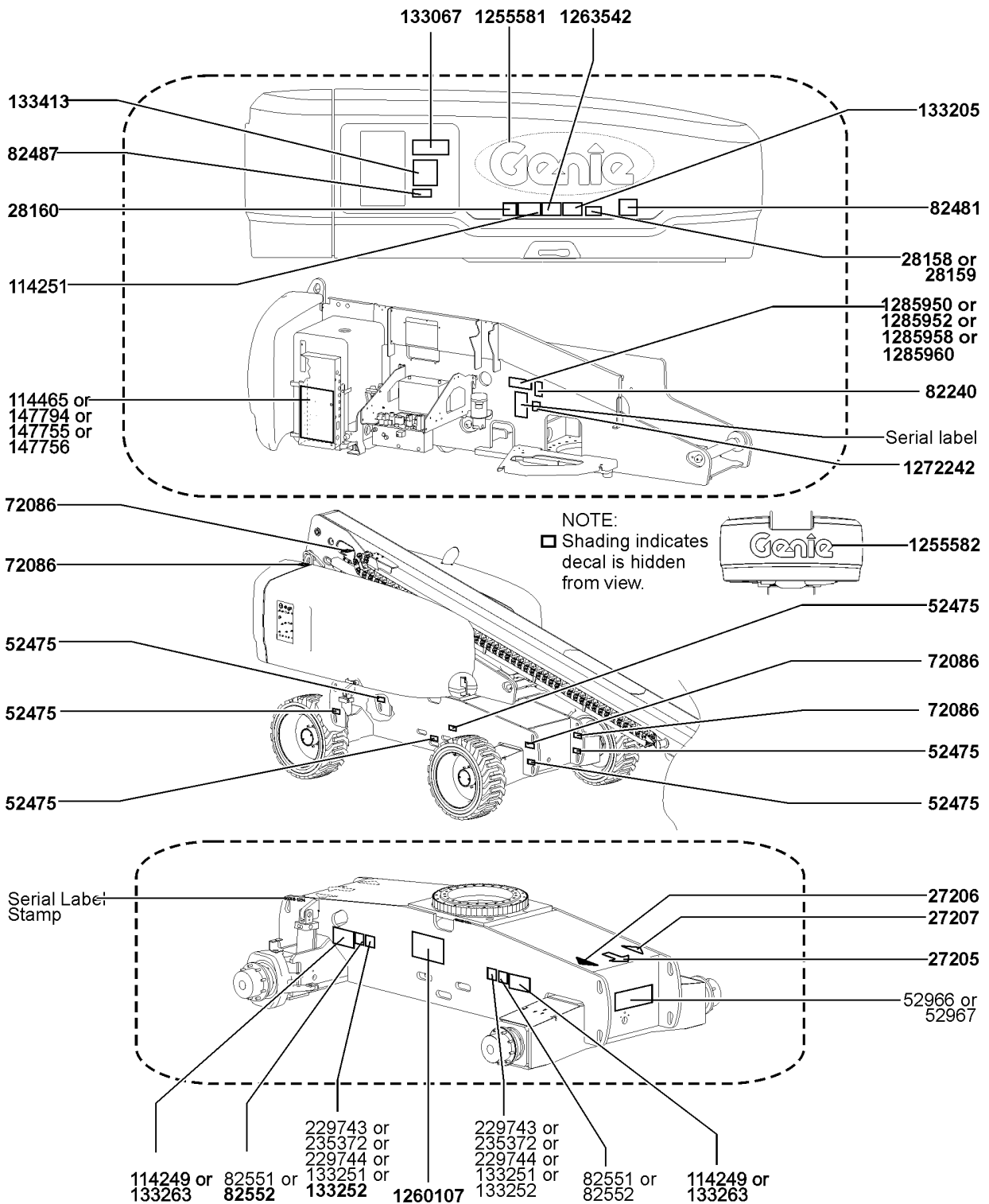


105.1 Symbol, Hydraulic Tank Side,Non-Steer End, ANSI and CE, S-60

Item	Part No.	Description	Qty.
1	27205GT	DECAL,ARROW YELLOW LRG 9"	1
2	27206GT	DECAL,TRIANGLE,BLUE	1
3	27207GT	DECAL,TRIANGLE,YELLOW	1
4	28158GT	DECAL,LABEL,UNLEADED GAS ONLY	1
		Option, Fuel	
5	28159GT	DECAL,DIESEL	1
		Option, Fuel	
6	28160GT	DECAL,LABEL,LIQUID PROPANE	1
		Option, LPG Tank	
7	52475GT	DECAL LABEL TRANSPORT TIE DOWN*	6
8	52966GT	DECAL,COSMETIC,4 X 2	1
		Option, drive	
9	52967GT	DECAL,COSMETIC,4 X 4	1
		Option, drive	
10	72086GT	DECAL,LABEL,LIFTING EYE	4
11	82240GT	DECAL,LABEL,105 DB	1
		(CE Only)	
12	82481GT	DECAL,SYMBOL-BATTERY SAFETY	1
13	82487GT	DECAL,SYMBOL-READ THE MANUAL	1
14	82551GT	DECAL,LABEL,TIRE PRESSURE	2
		(S-60, S-60X, S-65, S-60XC) RT air filled tires only	
15	82552GT	DECAL,LABEL,TIRE PRESS HF	2
		(S-60, S-60X, S-65, S-60XC) High flotation air filled tires only	
16	114249GT	DECAL,LABEL,TIPOVER,TIRES,SYMB	2
		(S-60, S-60X, S-65, S-60XC) RT air filled or foam filled tires only	
17	114251GT	DECAL,LABEL,NO SMOKING,SYMB	1
18	114465GT	DECAL GROUND CONTROL BOX	1
		(S-60, S-65, S-60 Trax and S-65 Trax - CE) (S-65 and S-65 Trax - ANSI)	
19	133067GT	DECAL,DANGER,ELEC.HAZ.STAY CLR	1
20	133205GT	DECAL,LABEL, ELECTRO HAZARD	1
21	133251GT	DECAL, WHEEL LOAD S60TRAX	2
		(S-60 Trax)	
23	133263GT	DECAL,LABEL,TIPOVER,TRAX,SYMB	2
		(S-60 Trax and S-65 Trax)	
24	133413GT	DECAL,EMERGENCY LOWERING	1
		(CE Only)	
25	147755GT	DECAL,GR CNTL PNL 60X 80X	1
		(S-60X, ANSI)	
26	147756GT	DECAL,GR CNTL PNL 60XC	1
		(S-60XC, ANSI)	
27	147794GT	DECAL,GR CNTL PNL 60TX	1
		(S-60 Trax, ANSI)	
28	229743GT	DECAL,LABEL,WHEEL LOAD S60/60X	2
		(S-60 and S-60X)	
29	229744GT	DECAL,LABEL,WHEEL LOAD S60H/XC	2
		(S-60XC)	



105.1 Symbol, Hydraulic Tank Side, Non-Steer End, ANSI and CE, S-60

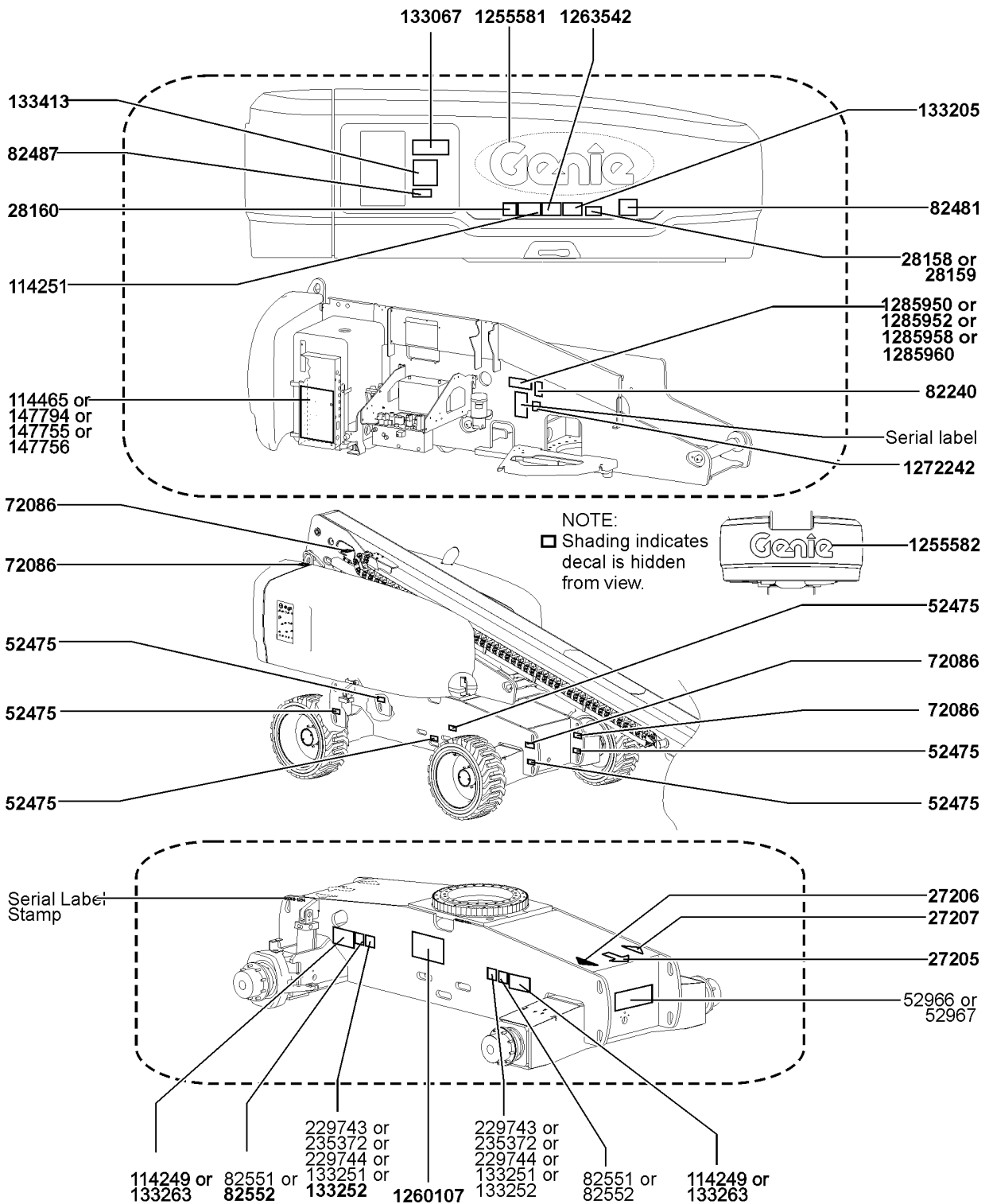


105.1 Symbol, Hydraulic Tank Side, Non-Steer End, ANSI and CE, S-60

<i>Item</i>	<i>Part No.</i>	<i>Description</i>	<i>Qty.</i>
31	1255581GT	DECAL, COSMETIC, 10" GENIE BLUE	1
32	1255582GT	DECAL COSMETIC, 15" GENIE BLUE	1
33	1260107GT	DECAL, TRANSPORT/LIFTING, S60	1
34	1263542GT	DECAL, SYMBOL-COMP ACCESS	1
35	1272242GT	DECAL, MACHINE REGISTRATION/OWNER TRANSFER	1
36	1285950GT	DECAL, S60 EMISSION INFO, CHINA III	1
37	1285952GT	DECAL, S65 EMISSION INFO, CHINA III	1
38	1285958GT	DECAL, S60TX EMISSION INFO, CHINA III	1
39	1285960GT	DECAL, S65TX EMISSION INFO, CHINA III	1



105.2 Symbol, Hydraulic Tank Side, Non-Steer End, ANSI and CE, S-65

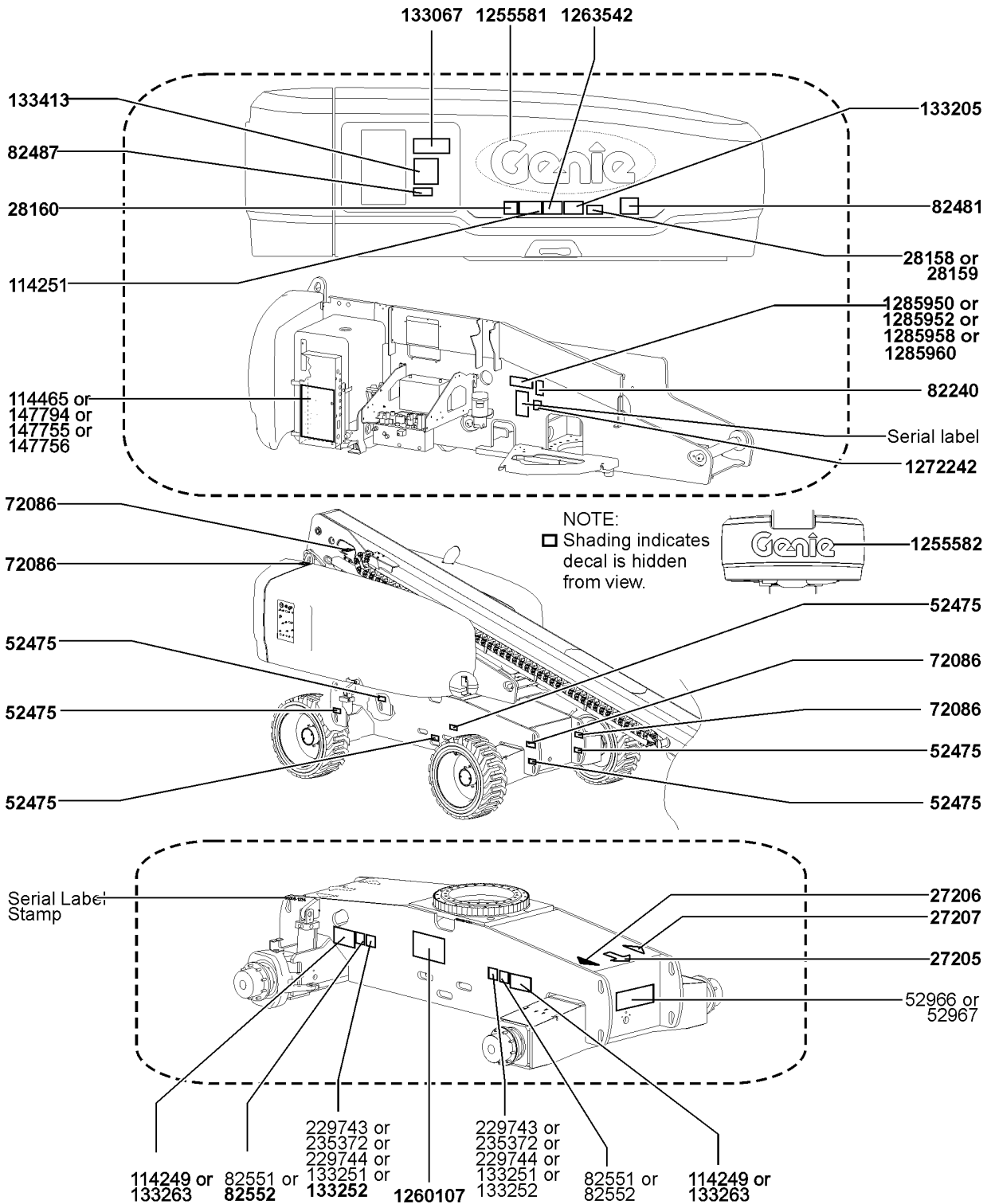


105.2 Symbol, Hydraulic Tank Side, Non-Steer End, ANSI and CE, S-65

Item	Part No.	Description	Qty.
1	27205GT	DECAL, ARROW YELLOW LRG 9"	1
2	27206GT	DECAL, TRIANGLE, BLUE	1
3	27207GT	DECAL, TRIANGLE, YELLOW	1
4	28158GT	DECAL, LABEL, UNLEADED GAS ONLY	1
		Option, Fuel	
5	28159GT	DECAL, DIESEL	1
		Option, Fuel	
6	28160GT	DECAL, LABEL, LIQUID PROPANE	1
		Option, LPG Tank	
7	52475GT	DECAL LABEL TRANSPORT TIE DOWN*	6
8	52966GT	DECAL, COSMETIC, 4 X 2	1
		Option, drive	
9	52967GT	DECAL, COSMETIC, 4 X 4	1
		Option, drive	
10	72086GT	DECAL, LABEL, LIFTING EYE	4
11	82240GT	DECAL, LABEL, 105 DB	1
		(CE Only)	
12	82481GT	DECAL, SYMBOL-BATTERY SAFETY	1
13	82487GT	DECAL, SYMBOL-READ THE MANUAL	1
14	82551GT	DECAL, LABEL, TIRE PRESSURE	2
		(S-60, S-60X, S-65, S-60XC) RT air filled tires only	
15	82552GT	DECAL, LABEL, TIRE PRESS HF	2
		(S-60, S-60X, S-65, S-60XC) High flotation air filled tires only	
16	114249GT	DECAL, LABEL, TIPOVER, TIRES, SYMB	2
		(S-60, S-60X, S-65, S-60XC) RT air filled or foam filled tires only	
17	114251GT	DECAL, LABEL, NO SMOKING, SYMB	1
18	114465GT	DECAL GROUND CONTROL BOX	1
		(S-60, S-65, S-60 Trax and S-65 Trax - CE) (S-65 and S-65 Trax - ANSI)	
19	133067GT	DECAL, DANGER, ELEC. HAZ. STAY CLR	1
20	133205GT	DECAL, LABEL, ELECTRO HAZARD	1
22	133252GT	DECAL, WHEEL LOAD S65 TRAX	2
		(S-65 Trax)	
23	133263GT	DECAL, LABEL, TIPOVER, TRAX, SYMB	2
		(S-60 Trax and S-65 Trax)	
24	133413GT	DECAL, EMERGENCY LOWERING	1
		(CE Only)	
30	235372GT	DECAL, LABEL, WHEEL LOAD S65	2
		(S-65)	
31	1255581GT	DECAL, COSMETIC, 10" GENIE BLUE	1
32	1255582GT	DECAL COSMETIC, 15" GENIE BLUE	1
33	1260107GT	DECAL, TRANSPORT/LIFTING, S60	1
34	1263542GT	DECAL, SYMBOL-COMP ACCESS	1



105.2 Symbol, Hydraulic Tank Side, Non-Steer End, ANSI and CE, S-65

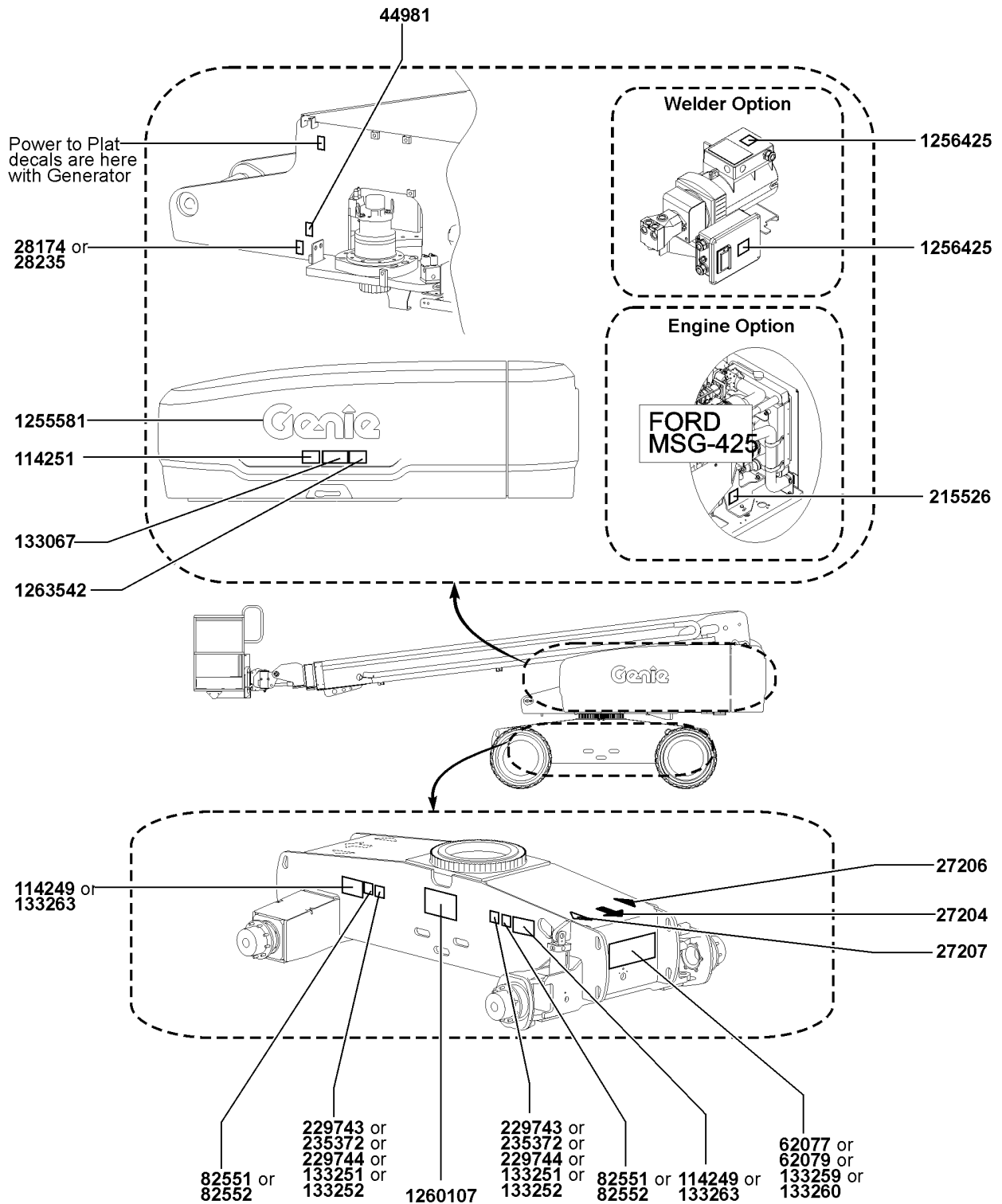


105.2 Symbol, Hydraulic Tank Side, Non-Steer End, ANSI and CE, S-65

<i>Item</i>	<i>Part No.</i>	<i>Description</i>	<i>Qty.</i>
35	1272242GT	DECAL, MACHINE REGISTRATION/OWNER TRANSFER	1
36	1285950GT	DECAL, S60 EMISSION INFO, CHINA III	1
37	1285952GT	DECAL, S65 EMISSION INFO, CHINA III	1
38	1285958GT	DECAL, S60TX EMISSION INFO, CHINA III	1
39	1285960GT	DECAL, S65TX EMISSION INFO, CHINA III	1



106.1 Symbol, Engine Side, Steer End, ANSI and CE, S-60

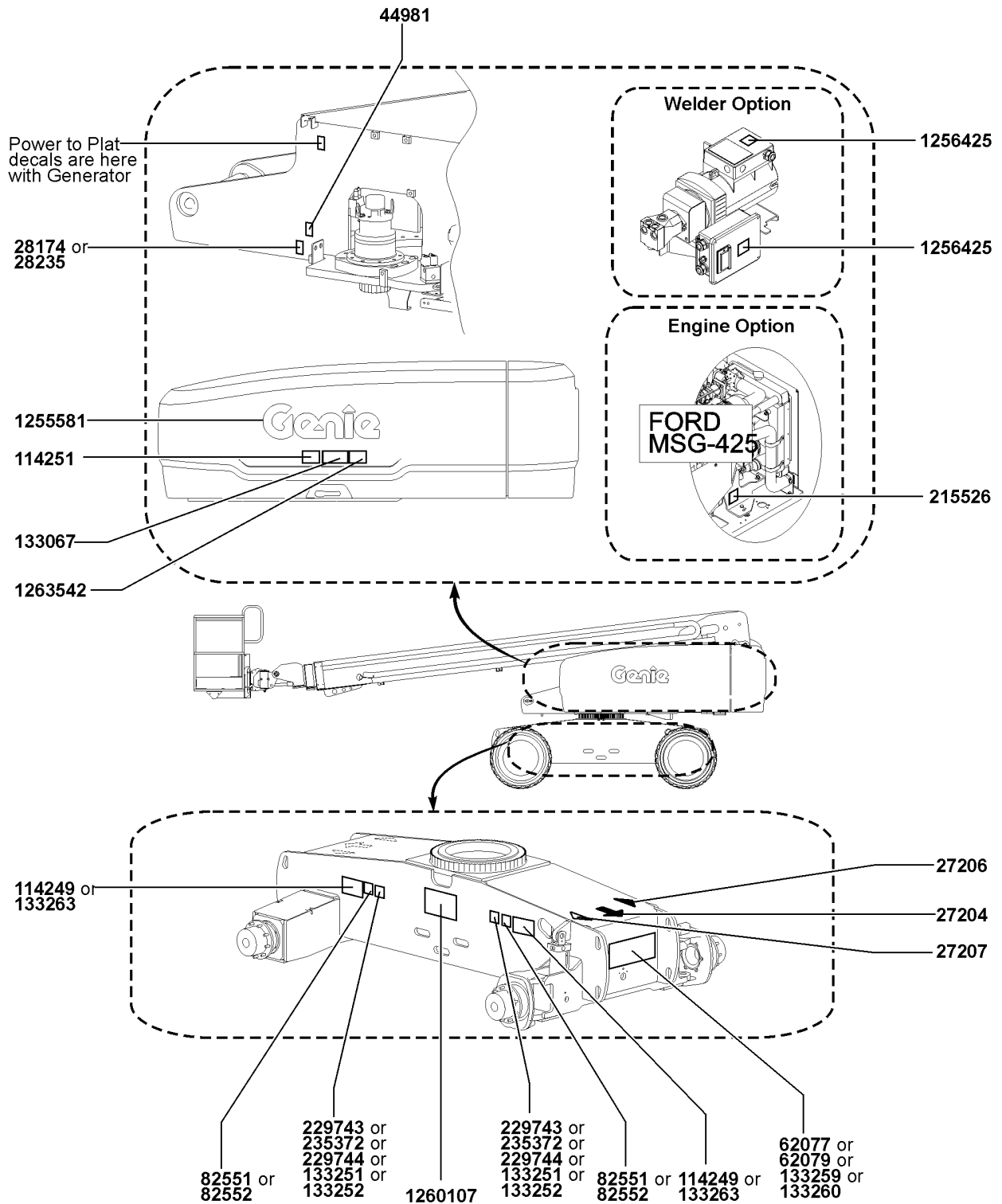


106.1 Symbol, Engine Side, Steer End, ANSI and CE, S-60

Item	Part No.	Description	Qty.
1	27204GT	DECAL,ARROW BLUE	1
2	27206GT	DECAL,TRIANGLE,BLUE	1
3	27207GT	DECAL,TRIANGLE,YELLOW	1
4	28174GT	DECAL,POWER TO PLATFORM 230V (Europe except UK)	1
5	28235GT	DECAL,POWER TO PLATFORM 115V (US and UK)	1
6	44981GT	DECAL LABEL AIRLINE 110PSI Option, airline to plat	1
7	62077GT	DECAL,COSMETIC,S60 (S-60, S-60X and S-60XC)	1
9	82551GT	DECAL,LABEL,TIRE PRESSURE (S-60, S-60X, S-65, S-60XC) RT air filled tires only	2
10	82552GT	DECAL,LABEL,TIRE PRESS HF (S-60, S-60X, S-65, S-60XC) High flotation air filled tires only	2
11	114249GT	DECAL,LABEL,TIPOVER,TIRES,SYMB (S-60, S-60X, S-65, S-60XC) RT air filled or foam filled tires only	2
12	114251GT	DECAL,LABEL,NO SMOKING,SYMB	1
13	133067GT	DECAL,DANGER,ELEC.HAZ.STAY CLR	1
14	133251GT	DECAL, WHEEL LOAD S60TRAX (S-60 Trax)	2
16	133259GT	DECAL,COSM, S60 TRAX (S-60 Trax)	1
18	133263GT	DECAL,LABEL,TIPOVER,TRAX,SYMB (S-60 Trax and S-65 Trax)	2
19	215526GT	DECAL,LABEL,BELT,MSG425 ford msg-425	1
20	229743GT	DECAL,LABEL,WHEEL LOAD S60/60X (S-60 and S-60X)	2
21	229744GT	DECAL,LABEL,WHEEL LOAD S60H/XC (S-60XC)	2
23	1255581GT	DECAL,COSMETIC, 10" GENIE BLUE	1
24	1256425GT	DECAL, DANGER, ELECTROCUTION HAZARD, SYMBOL Option, Welder	2
25	1260107GT	DECAL, TRANSPORT/LIFTING, S60	1
26	1263542GT	DECAL,SYMBOL-COMP ACCESS	1



106.2 Symbol, Engine Side, Steer End, ANSI and CE, S-65



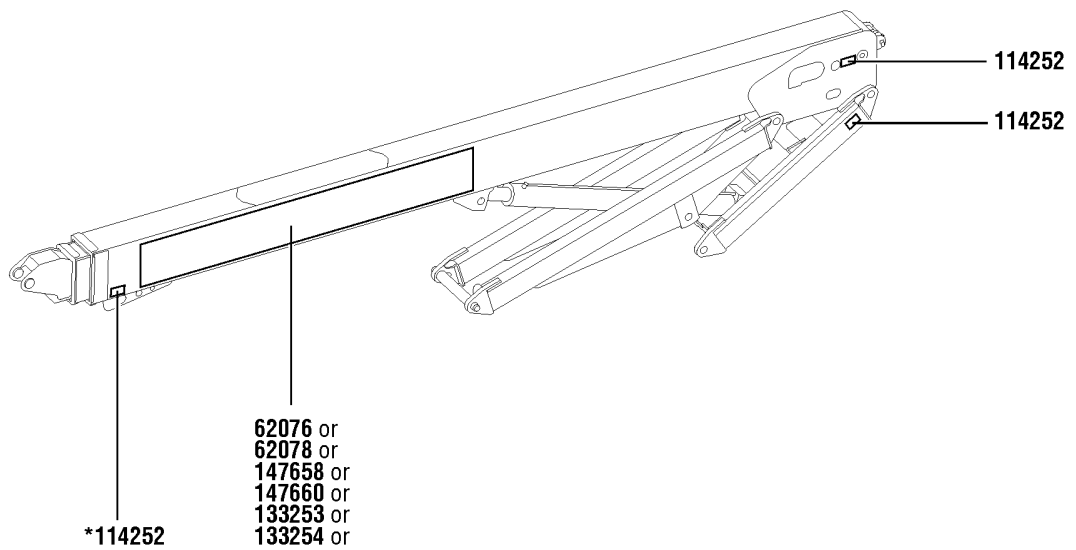
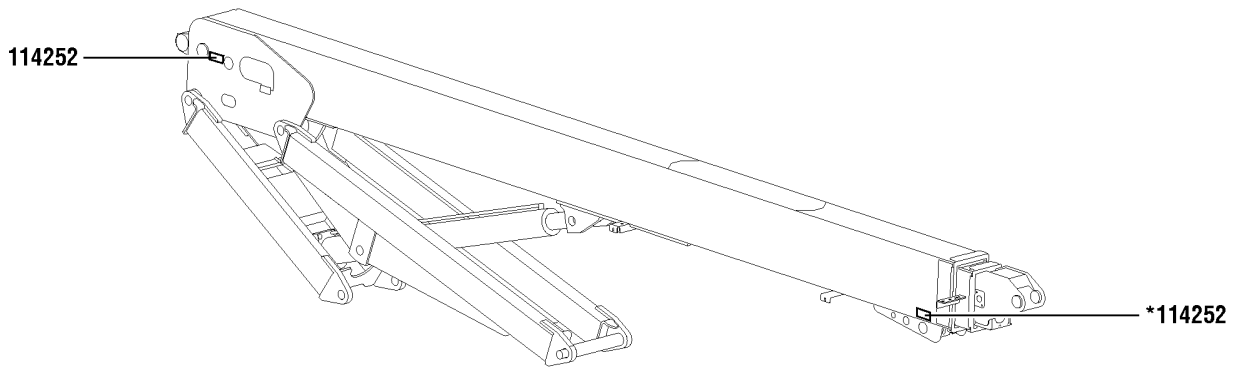
106.2 Symbol, Engine Side, Steer End, ANSI and CE, S-65

Item	Part No.	Description	Qty.
1	27204GT	DECAL,ARROW BLUE	1
2	27206GT	DECAL,TRIANGLE,BLUE	1
3	27207GT	DECAL,TRIANGLE,YELLOW	1
4	28174GT	DECAL,POWER TO PLATFORM 230V (Europe except UK)	1
5	28235GT	DECAL,POWER TO PLATFORM 115V (US and UK)	1
6	44981GT	DECAL LABEL AIRLINE 110PSI Option, airline to plat	1
8	62079GT	DECAL,COSMETIC,S65	1
9	82551GT	DECAL,LABEL,TIRE PRESSURE (S-60, S-60X, S-65, S-60XC) RT air filled tires only	2
10	82552GT	DECAL,LABEL,TIRE PRESS HF (S-60, S-60X, S-65, S-60XC) High flotation air filled tires only	2
11	114249GT	DECAL,LABEL,TIPOVER,TIRES,SYMB (S-60, S-60X, S-65, S-60XC) RT air filled or foam filled tires only	2
12	114251GT	DECAL,LABEL,NO SMOKING,SYMB	1
13	133067GT	DECAL,DANGER,ELEC.HAZ.STAY CLR	1
15	133252GT	DECAL, WHEEL LOAD S65 TRAX (S-65 Trax)	2
17	133260GT	DECAL,COSM, S65 TRAX (S-65 Trax)	1
18	133263GT	DECAL,LABEL,TIPOVER,TRAX,SYMB (S-60 Trax and S-65 Trax)	2
19	215526GT	DECAL,LABEL,BELT,MSG425 ford msg-425	1
22	235372GT	DECAL,LABEL,WHEEL LOAD S65 (S-65)	2
23	1255581GT	DECAL,COSMETIC, 10" GENIE BLUE	1
24	1256425GT	DECAL, DANGER, ELECTROCUTION HAZARD, SYMBOL Option, Welder	2
25	1260107GT	DECAL, TRANSPORT/LIFTING, S60	1
26	1263542GT	DECAL,SYMBOL-COMP ACCESS	1



107.1 Symbol, Booms, ANSI and CE, S-60

NOTE:
*For S-60X and S-60XC models only.

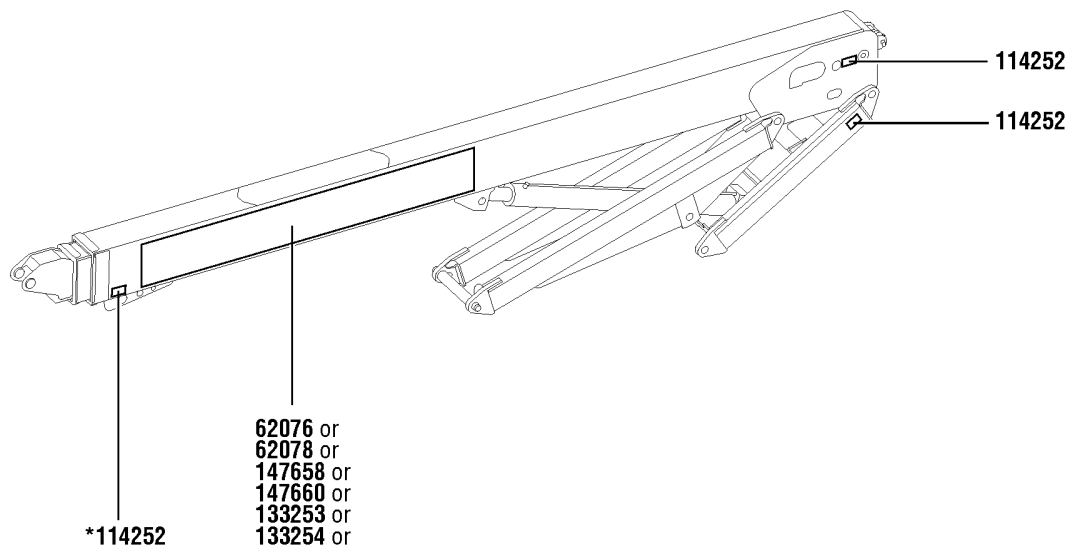
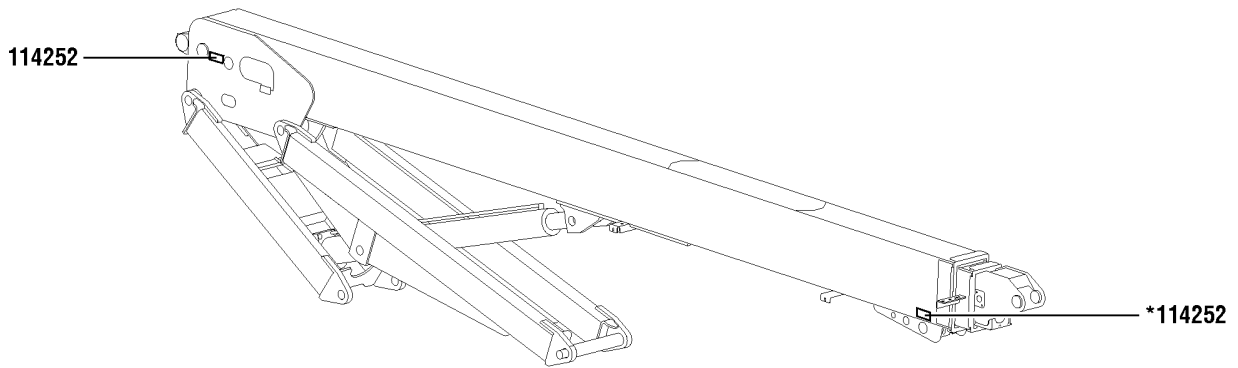


<i>Item</i>	<i>Part No.</i>	<i>Description</i>	<i>Qty.</i>
1	62076GT	DECAL,COSMETIC,GENIE S-60	1
3	114252GT	DECAL,LABEL,TIP OVER LMT SWTCH	5
4	133253GT	DECAL,COSM,GENIE S60 TRAX	1
6	147658GT	DECAL,COSM GENIE S60X	1
7	147660GT	DECAL,COSM GENIE S60XC	1



107.2 Symbol, Booms, ANSI and CE, S-65

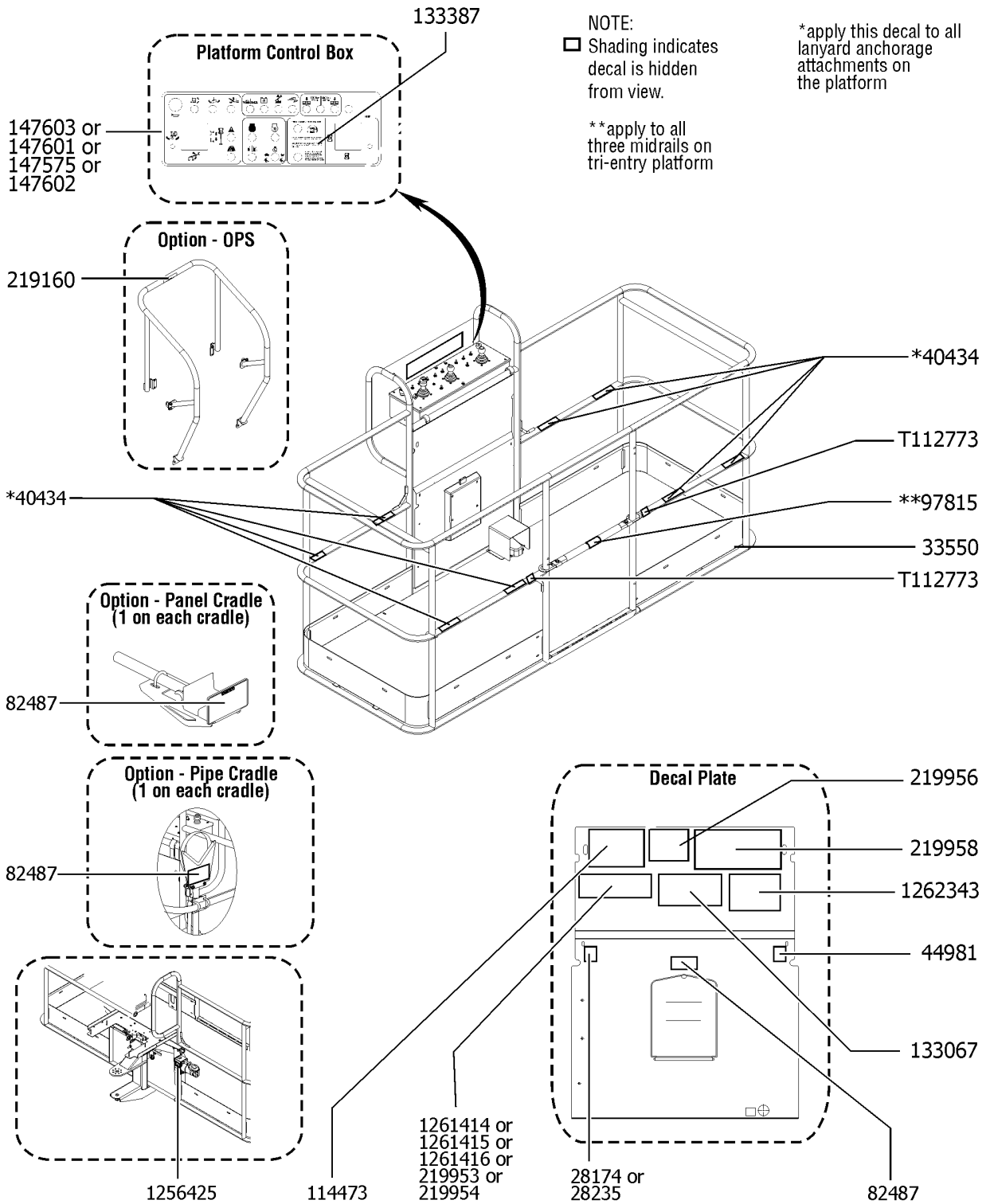
NOTE:
*For S-60X and S-60XC models only.



<i>Item</i>	<i>Part No.</i>	<i>Description</i>	<i>Qty.</i>
2	62078GT	DECAL,COSMETIC,GENIE S65	1
3	114252GT	DECAL,LABEL,TIP OVER LMT SWTCH	5
5	133254GT	DECAL, COSM,GENIE S65 TRAX	1



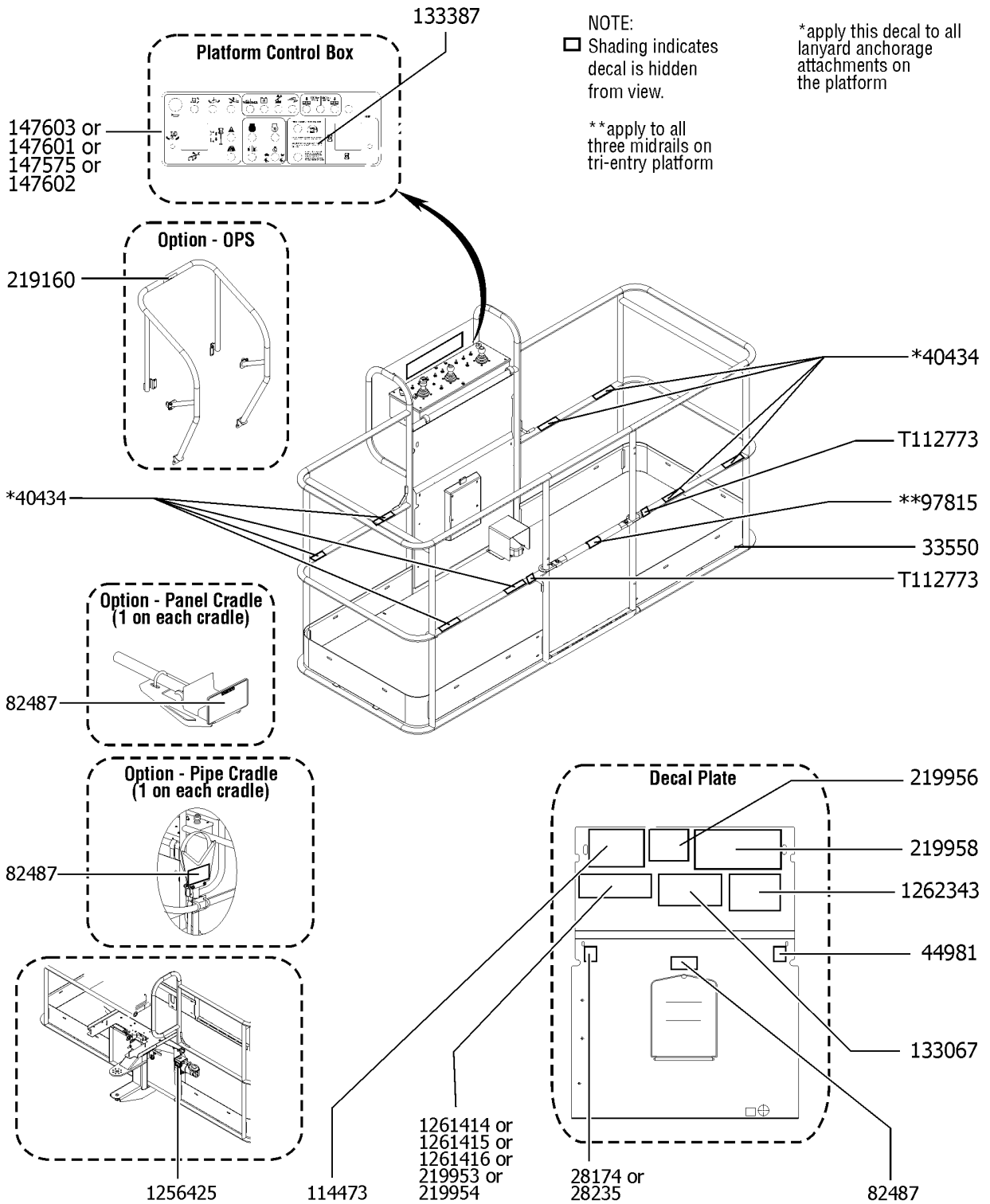
108.1 Symbol, Platform, ANSI and CE, S-60



Item	Part No.	Description	Qty.
A	1296264GT	DECAL KIT,S60/65 PLAT SYM,ANSI/CE platform kit	
1	28174GT	DECAL,POWER TO PLATFORM 230V (europe except UK)	1
2	28235GT	DECAL,POWER TO PLATFORM 115V (Us and UK)	1
3	33550GT	TAPE,WARNING,BLK/YEL, 50'*** (CE models) sold in a 50' roll, apply at base of platform toeboard	1
4	40434GT	DECAL,LANYARD ANCHORAGE POINT	8
5	44981GT	DECAL LABEL AIRLINE 110PSI Option, airline to platform	1
6	82487GT	DECAL,SYMBOL-READ THE MANUAL	1
7	97815GT	DECAL,LABEL,LOWER MIDRAIL	1
8	114473GT	DECAL,DANGER,ELEC.HAZ.STAY CLR	1
9	133067GT	DECAL,DANGER,ELEC.HAZ.STAY CLR	1
10	133387GT	DECAL,DRIVE ENABLE PATCH	1
11	147575GT	DECAL, PLAT CNTL PNL 60X 80X (S-60X, ANSI)	1
12	147601GT	DECAL, PLAT CNTL PNL 60TX (S-60 Trax, ANSI)	1
13	147602GT	DECAL, PLAT CNTL PNL 60XC (S-60XC, ANSI)	1
14	147603GT	DECAL, PLAT CNTL PNL (S-60, S-65, S-60 Trax and S-65 Trax, CE) (S-65 and S-65 Trax, ANSI)	1
17	219956GT	DECAL,PLATFORM OVERLOAD CE Only	1
18	219958GT	DECAL,TIP-OVER,CRUSH	1
19	1256425GT	DECAL, DANGER, ELECTROCUTION HAZARD, SYMBOL Option, Welder	1
20	1261414GT	DECAL,INST PLAT CAP 60X,SYM (S-60X, ANSI)	1
21	1261415GT	DECAL,INST PLAT CAP 60XC,SYM (S-60XC, ANSI)	1
22	1261416GT	DECAL,INST PLAT CAP 60TX,SYM (S-60 Trax, ANSI)	1
24	219160GT	DECAL, INSTRUCTION, OPS	1
25	T112773GT	TAPE, PROTECTIVE MASK	2

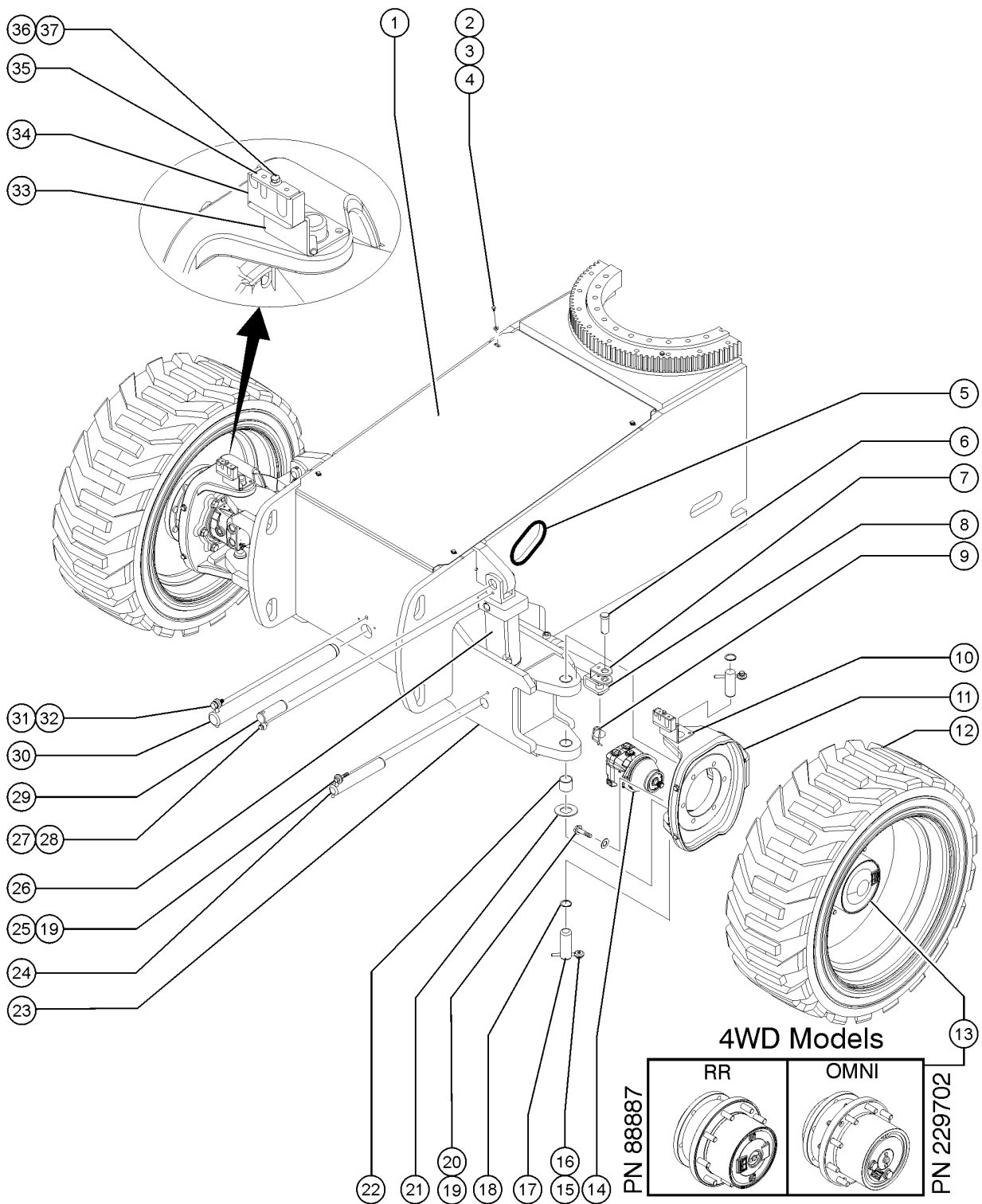


108.2 Symbol, Platform, ANSI and CE, S-65



Item	Part No.	Description	Qty.
A	1296264GT	DECAL KIT,S60/65 PLAT SYM,ANSI/CE platform kit	
1	28174GT	DECAL,POWER TO PLATFORM 230V (europe except UK)	1
2	28235GT	DECAL,POWER TO PLATFORM 115V (Us and UK)	1
3	33550GT	TAPE,WARNING,BLK/YEL, 50'*** (CE models) sold in a 50' roll, apply at base of platform toeboard	1
4	40434GT	DECAL,LANYARD ANCHORAGE POINT	8
5	44981GT	DECAL LABEL AIRLINE 110PSI Option, airline to platform	1
6	82487GT	DECAL,SYMBOL-READ THE MANUAL	1
7	97815GT	DECAL,LABEL,LOWER MIDRAIL	1
8	114473GT	DECAL,DANGER,ELEC.HAZ.STAY CLR	1
9	133067GT	DECAL,DANGER,ELEC.HAZ.STAY CLR	1
10	133387GT	DECAL,DRIVE ENABLE PATCH	1
14	147603GT	DECAL, PLAT CNTL PNL (S-60, S-65, S-60 Trax and S-65 Trax, CE) (S-65 and S-65 Trax, ANSI)	1
15	219953GT	DECAL,TIP-OVER HAZARD,ANSI (S-65 and S-65 Trax, ANSI)	1
16	219954GT	DECAL,TIP-OVER HAZARD,CE (S-65 and S-65 Trax, CE)	1
17	219956GT	DECAL,PLATFORM OVERLOAD CE Only	1
18	219958GT	DECAL,TIP-OVER,CRUSH	1
19	1256425GT	DECAL, DANGER, ELECTROCUTION HAZARD, SYMBOL Option, Welder	1
23	1262343GT	DECAL,SYM,SLOPE RATING,S60	1
24	219160GT	DECAL, INSTRUCTION, OPS Option	1
25	T112773GT	TAPE, PROTECTIVE MASK	2

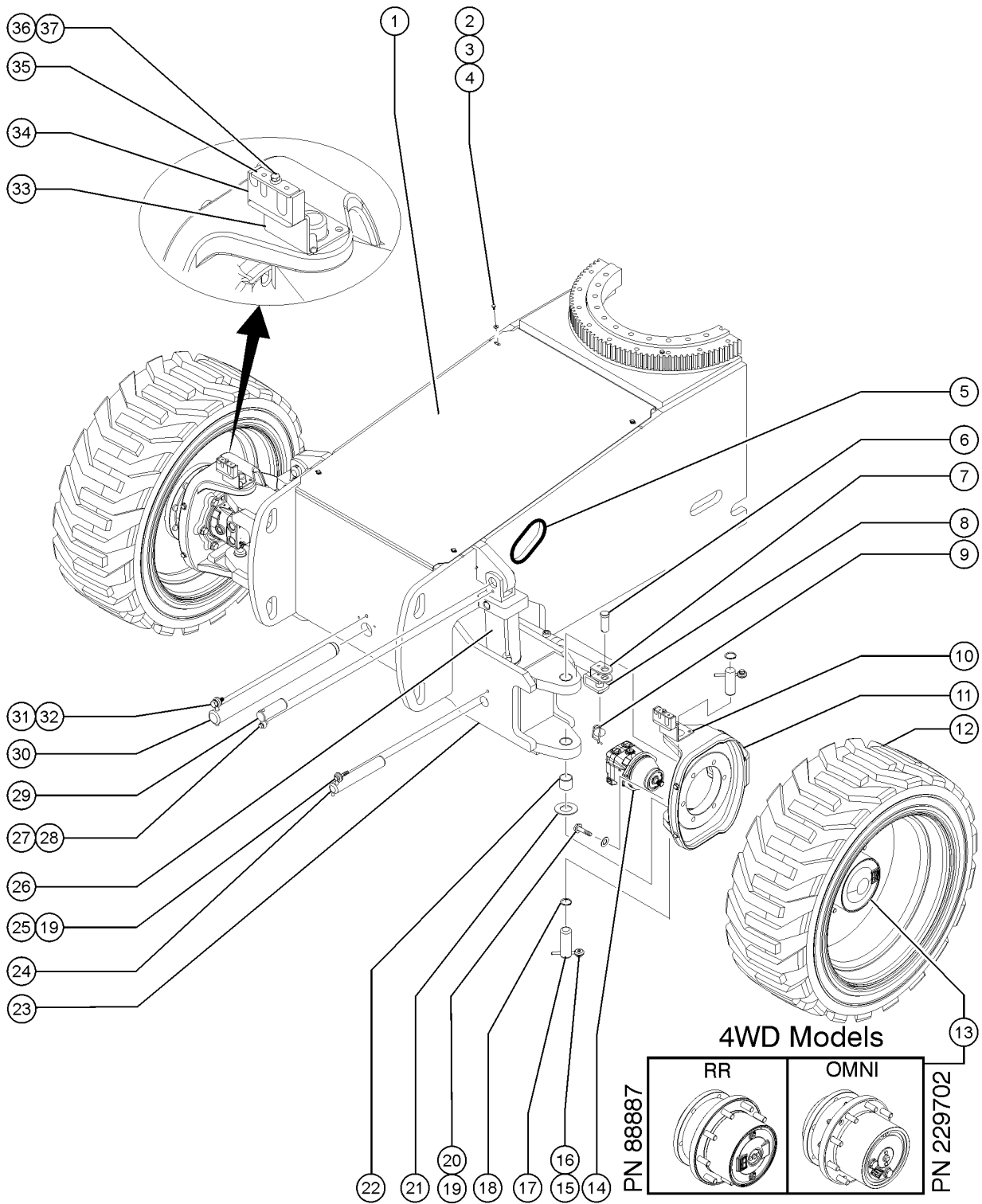
201.1 Steer End



Item	Part No.	Description	Qty.
1	1255703GT	COVER,DRIVE CHASSIS decals not included, refer to section 100	1
1-	217480-3800GT	TAPE,FOAM EPDM,RIBBED,.187X.375	2
2	824059GT	SCREW,HHC,1/4-20X.75,8,ZAG	
3	824113GT	WASHER,FLAT,1/4,USS,ZAG	
4	56912GT	SPRING CLIP,1/4-20,.025-.15X.5	
5	53386GT	GUARD, HOSE PROTECTOR	1
6	824127GT	PIN, CLEVIS, SAE 1.0 X 2.41, ZAG	4
7	59460GT	CYLINDER,STEERING***	2
7-	89294GT	SEAL KIT CYLINDER (59460)	1
8	1255710GT	WELDMENT, TIE ROD	1
9	824129GT	RUE RING, 1.0, ZAG	4
10	1255705GT	BRACKET,HOSE ROUTING,AXLE LH	1
11	1255699GT	YOKE,CASTING,RH,MACHINED** Right	
11B	1255700GT	YOKE,CASTING,LH,MACHINED** Left	
12	88729GT	TIRE & WHEEL ASSY,AIR,RH*** RT, Air-filled, right (S-60,S-65,S-60X)	2
12	88730GT	TIRE & WHEEL ASSY,AIR,LH RT, Air-filled, left (S-60,S-65,S-60X)	2
12A-	88727GT	WHEEL, 24.5X11.75, 9 X 9 BCD for 88730 & 88729	
12A-	88728GT	TIRE,355/55D625 for 88730 & 88729	
12B	77790GT	TIRE & WHEEL ASSY, RH, 355/55D625, FF RT, Foam-filled, right (S-60,S-65,S-60X,S-60XC; overall diameter: 37 inches)	2
12B	77791GT	TIRE & WHEEL ASSY, LH, 355/55D625, FF RT, Foam-filled, left (S-60,S-65,S-60X,S-60XC; overall diameter: 37 inches)	2
12C	1279699GT	TIRE & WHEEL ASSY,RH,NM,FOAM RT, Foam-filled, Non-marking, Right	2
12C	1279698GT	TIRE & WHEEL ASSY,LH,NM,FOAM RT, Foam-filled, Non-marking, Left	2
13	229702GT	WHEEL DRIVE 57.5:1 4WD	2
13A-	139965GT	WHEEL STUD,5/8-18,OMNI*** for 229702	
13A-	139966GT	ROD,DISCONNECT,OMNI*** for 229702	
13A-	139967GT	CAP,DISENGAGE,OMNI*** for 229702	
13A-	139968GT	O-RING,END COVER,OMNI*** for 229702	
13A-	139969GT	LINING KIT,BRAKE,OMNI*** for 229702	



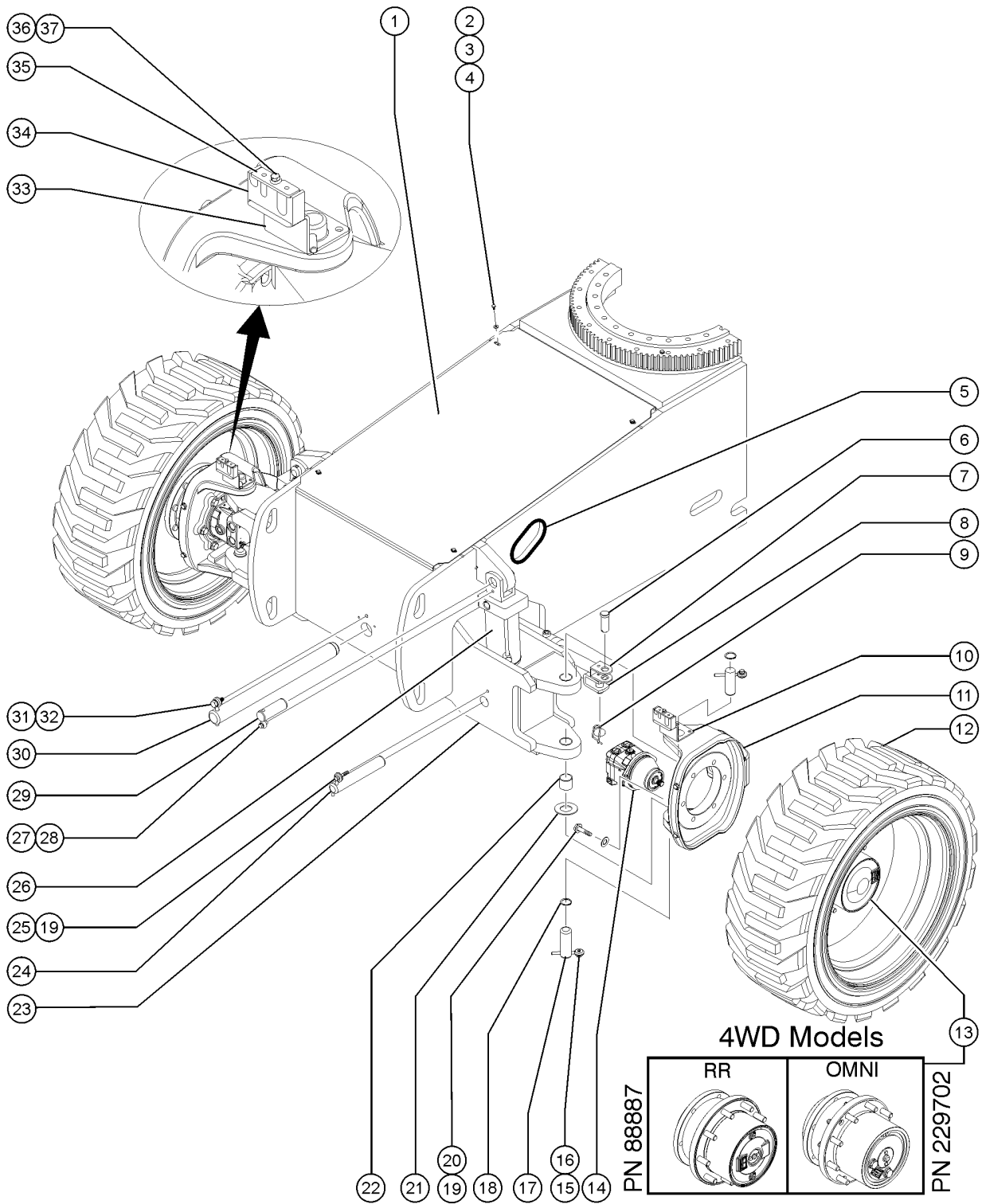
201.1 Steer End



Item	Part No.	Description	Qty.
13A-	139970GT	SEAL KIT,BRAKE,OMNI*** for 229702	
13A-	139971GT	BEARING KIT,OMNI*** for 229702	
13A-	139972GT	SEAL KIT,GEARBOX,OMNI*** for 229702	
13A-	147033GT	O-RING,PIPE PLUG KIT,OMNI*** for 229702	
13A-	147034GT	PIPE PLUG KIT,OMNI*** for 229702	
13A-	1260084GT	END CAP, WHEEL DRIVE for 229702	
13B	229817GT	WHEEL DRIVE 56:1 (Trax)	1
13B-	102162GT	LUG,STUD/WHEEL (88887) for 102162	
13B-	102131GT	DISCONNECT KIT (88887) for 102162	
13B-	229818GT	SEAL KIT, DRIVE HUB for 102162	
13B-	215340GT	LOCKRING, RR*** for 102162	
13B-	102516GT	RING,RETAINING,INTERNAL for 102162	
13B-	215642GT	BRAKE KIT (88886)*** for 102162	
13B-	229931GT	SEAL,LIP for 102162	
14	88884GT	MOTOR,PISTON,30CC,4WD*** 4WD models	2
14-	72290GT	SNAP RING(M46 UNITS)* for 88884	
14-	102158GT	O-RING,.103 X 4.737,VITON, 75D for 88884	
14-	102159GT	SHAFT,15 TOOTH for 88884	
14-	102155GT	BEARING,BALL DRIVE SHAFT for 88884	
14-	27067GT	SEAL,SHAFT-SUNDSTRAND*** for 88884	
14-	106098GT	SEAL KIT,MOTOR,LC/KC*** for 88884	
15	825019GT	ROD END, .375X3.69, ZAG	2
16	824091GT	SCREW,HHF,3/8-16X1.25,8,ZAG	
17	110221GT	PIN,GROOVE/HOLE,1.50 DIA X4.475	4
18	825796GT	SNAP RING,EXTERNAL,1.50,ZAG	
19	1255385GT	SCREW,HHC,5/8-11X2.25,8,ZAG	12
20	1256182GT	WASHER,FLAT,5/8,F436,HRD,ZAG	12
21	45074GT	WASHER,THRUST,1.5 X 3.5 X .187	2



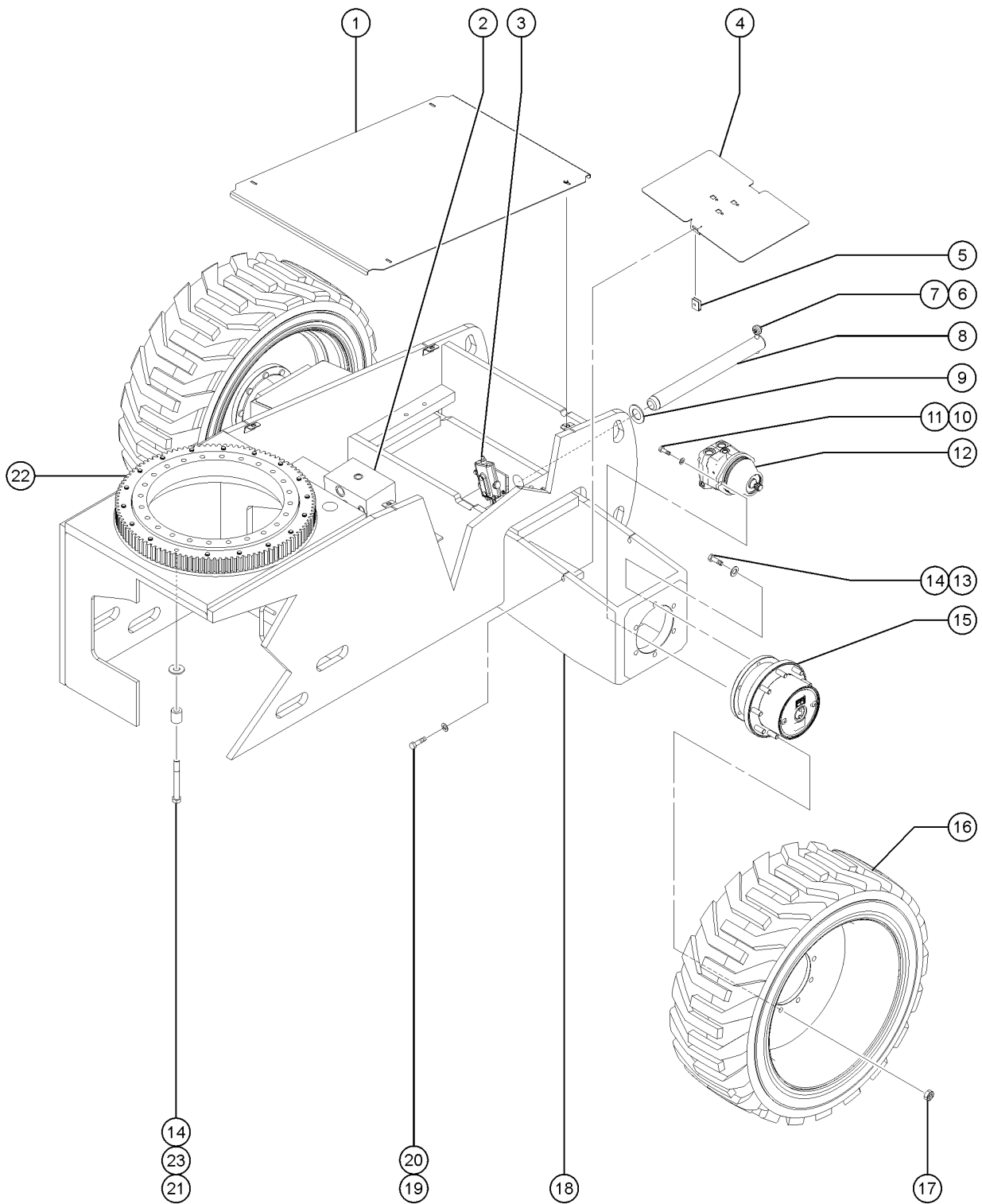
201.1 Steer End



Item	Part No.	Description	Qty.
22	45071GT	BEARING,1.5IDX1.75ODX1.5L	
23	1270348GT	STEER AXLE ASSY BLACK	1
23-	45071GT	BEARING,1.5IDX1.75ODX1.5L	
		not included, order seperately	
23-	42014GT	BEARING,2.00IDX2.25ODX2.00L	
		not included, order seperately	
24	77880GT	PIN,1.50DIAX9.38LG,1HOLE	2
25	825674GT	SCREW, HHC, 5/16-18X2,8,ZAG	
26	110578GT	CYLINDER,OSCILLATE,S60	2
26-	33428GT	VALVE,COUNTERBALANCE	
26-	89295GT	SEAL KIT,CYLINDER (63189)	
27	824089GT	SCREW,HHF,3/8-16X.75,8,ZAG	
28	1255452GT	ROD END,.375*2.25,ZAG	
29	94221GT	PIN,1.50DIAX3.75LG,1HOLE	2
30	77610GT	PIN,2.00DIAX23.13LG,CHAMFER	1
31	1256267GT	ROD END,.5 X 3.75,ZAG	
32	1253498GT	SCREW,HHF,1/2-13X1.5,8,ZAG	
33	1255704GT	BRACKET,HOSE ROUTING,AXLE RH	1
34	106516GT	CLAMP,HOSE,2X4,1X6,2X8***	2
35	1255706GT	CLAMP TOP,HOSE ROUTING***	2
36	824095GT	SCREW, HHF, 3/8-16 X 3, 8, ZAG	
37	824029GT	NUT,TL FLG,3/8-16,G,ZAG	



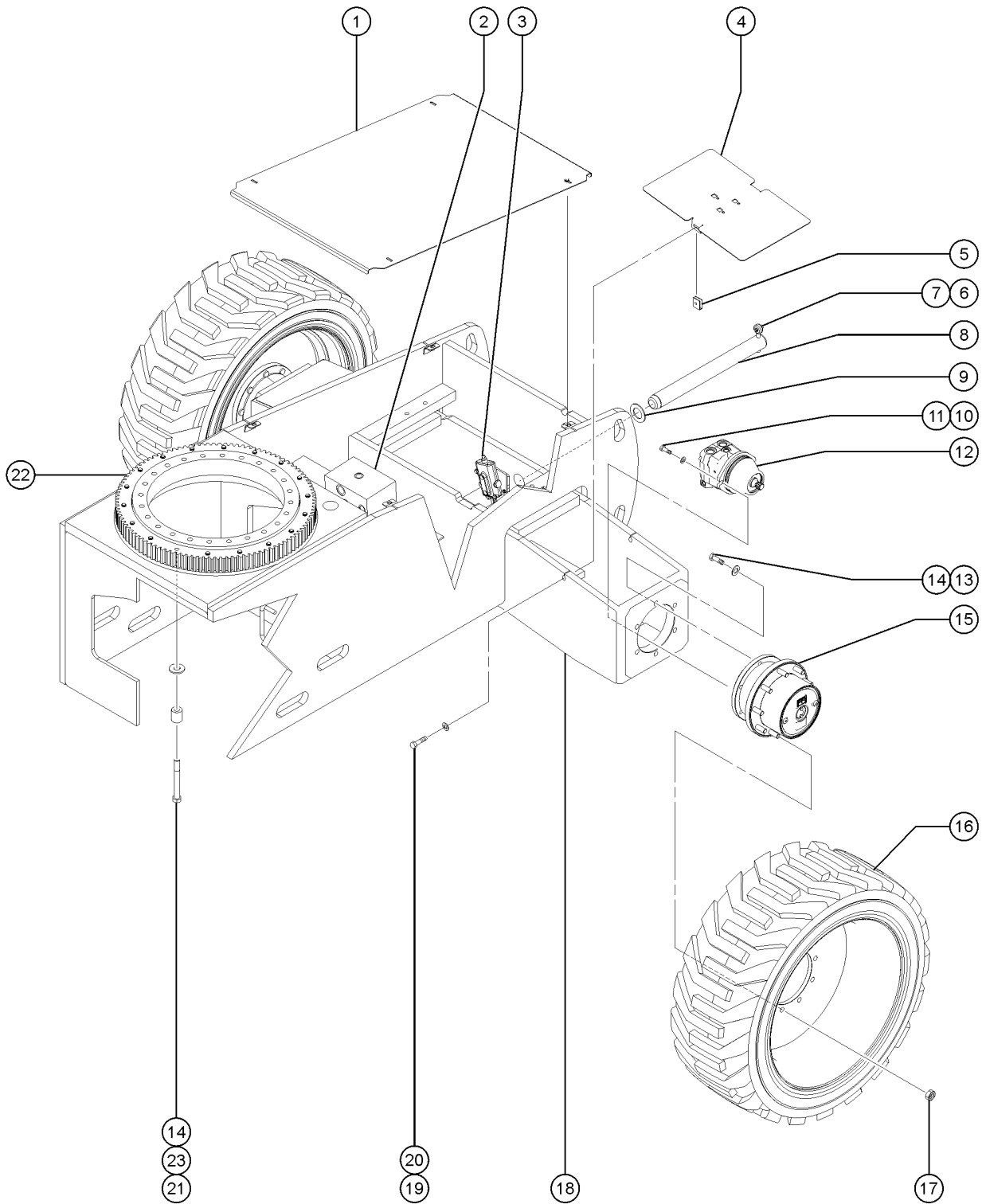
202.1 Non-steer End



Item	Part No.	Description	Qty.
1	1255703GT	COVER,DRIVE CHASSIS decals not included, refer to section 100	1
1-	217480-3800GT	TAPE,FOAM EPDM,RIBBED,.187X.375	2
2		Ref. Traction Manifold (refer to 402.1 & 403.1)	
3		Ref. Oscillate Valve (refer to 203.1)	
4	1255711GT	COVER,REAR AXLE	2
5	56912GT	SPRING CLIP,1/4-20,.025-.15X.5	
6	1256267GT	ROD END,.5 X 3.75,ZAG	
7	1253498GT	SCREW,HHF,1/2-13X1.5,8,ZAG	
8	77950GT	PIN,2.00DIAX20.88LG,CHAMFER	
9	1256864GT	WASHER,FLAT,2.01X3.5X.06,ZAG	
10	824072GT	SCREW,HHC,7/16-14X1.25,ZAG	4
11	1257078GT	WASHER,.469 X .768 HRD, ZAG	4
12	88884GT	MOTOR,PISTON,30CC,4WD*** models	
12A-	72290GT	SNAP RING(M46 UNITS)* for 88884	
12A-	102159GT	SHAFT,15 TOOTH for 88884	
12A-	102155GT	BEARING,BALL DRIVE SHAFT for 88884	
12A-	27067GT	SEAL,SHAFT-SUNDSTRAND*** for 88884	
12A-	106098GT	SEAL KIT,MOTOR,LC/KC*** for 88884	
12A-	102158GT	O-RING,.103 X 4.737,VITON, 75D for 88884	
12B	88885GT	MOTOR,PISTON,35CC,2WD*** 2WD models, not shown	2
12B-	72290GT	SNAP RING(M46 UNITS)* for 88885	
12B-	102159GT	SHAFT,15 TOOTH for 88885	
12B-	102155GT	BEARING,BALL DRIVE SHAFT for 88885	
12B-	27067GT	SEAL,SHAFT-SUNDSTRAND*** for 88885	
12B-	106098GT	SEAL KIT,MOTOR,LC/KC*** for 88885	
12B-	106117GT	O-RING,2-010,VITON for 88885 (Mating O-ring for Brake Port)(Extremely small)	
12B-	102158GT	O-RING,.103 X 4.737,VITON, 75D for 88885	
13	1255385GT	SCREW,HHC,5/8-11X2.25,8,ZAG	



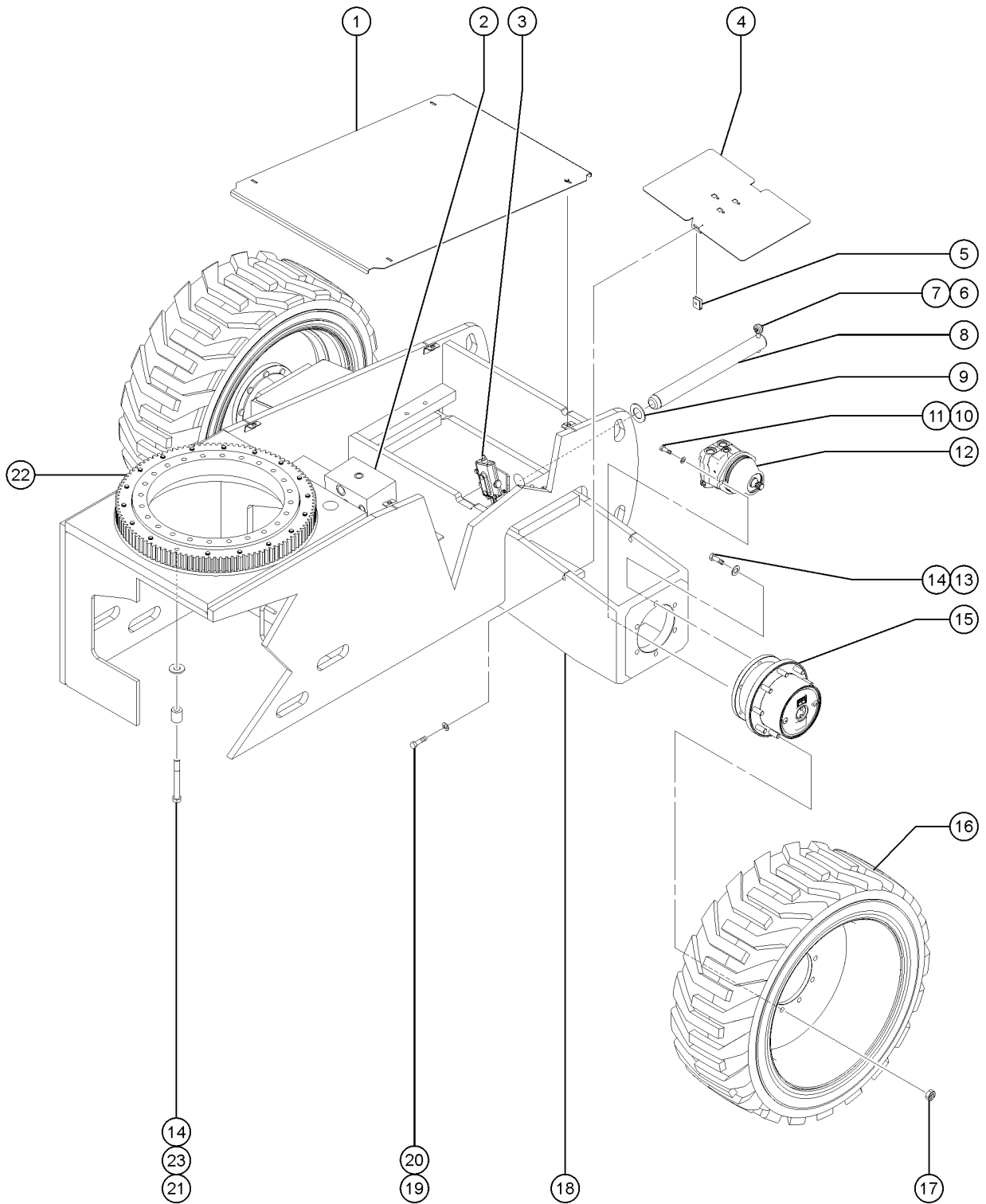
202.1 Non-steer End



Item	Part No.	Description	Qty.
14	1256182GT	WASHER,FLAT,5/8,F436,HRD,ZAG	
15	231612GT	WHEEL DRIVE,W/BRAKE 4WD TYPE: OMNI. 4WD Models Visually identify which hub before ordering parts. ID tag is on end cover cap. Internal components are different for each type.	2
15A-	139965GT	WHEEL STUD,5/8-18,OMNI*** for 229702	
15A-	139966GT	ROD,DISCONNECT,OMNI*** for 229702	
15A-	139967GT	CAP,DISENGAGE,OMNI*** for 229702	
15A-	139968GT	O-RING,END COVER,OMNI*** for 229702	
15A-	139969GT	LINING KIT,BRAKE,OMNI*** for 229702	
15A-	139970GT	SEAL KIT,BRAKE,OMNI*** for 229702	
15A-	139971GT	BEARING KIT,OMNI*** for 229702	
15A-	139972GT	SEAL KIT,GEARBOX,OMNI*** for 229702	
15A-	147033GT	O-RING,PIPE PLUG KIT,OMNI*** for 229702	
15A-	147034GT	PIPE PLUG KIT,OMNI*** for 229702	
15A-	1260084GT	END CAP, WHEEL DRIVE for 229702	
15B	88887GT	WHEEL DRIVE 56:1 2WD 2WD models; not shown	2
15B-	102126GT	SEAL KIT,DRIVE HUB (88887) for 88887	
15B-	102131GT	DISCONNECT KIT (88887) for 88887	
15B-	215642GT	BRAKE KIT (88886)*** for 88887	
15B-	102163GT	RING,RETAINING*** for 88887	
15B-	215340GT	LOCKRING, RR*** for 88887	
15B-	102167GT	SHAFT,INPUT DRIVE HUB for 88887	
15B-	102162GT	LUG,STUD/WHEEL (88887) for 88887	
15B-	102516GT	RING,RETAINING,INTERNAL for 88887	
15B-	102126GT	SEAL KIT,DRIVE HUB (88887)	1
15B-	1274613GT	HUB SCREW for 88887	
15C	229817GT	WHEEL DRIVE 56:1 (trax models)	2
15C-	102157GT	O-RING,.070 X .239,VITON 75D (trax models)	
15C-	102162GT	LUG,STUD/WHEEL (88887) (trax models)	
15C-	102131GT	DISCONNECT KIT (88887) (trax models)	



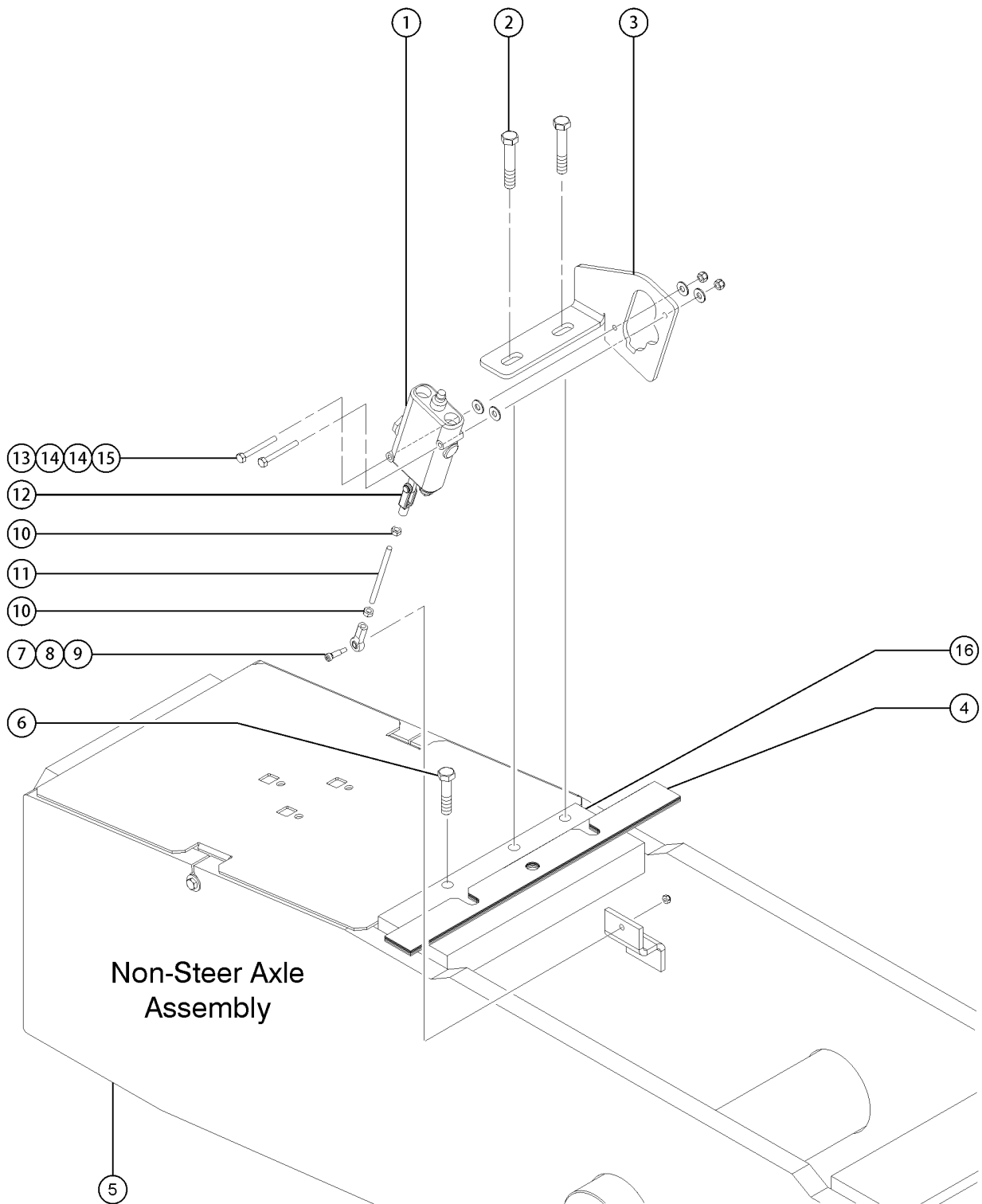
202.1 Non-steer End



Item	Part No.	Description	Qty.
15C-	229818GT	SEAL KIT, DRIVE HUB (trax models)	
15C-	215340GT	LOCKRING, RR*** (trax models)	
15C-	102516GT	RING,RETAINING,INTERNAL (trax models)	
15C-	215642GT	BRAKE KIT (88886)*** (trax models)	
15C-	229931GT	SEAL,LIP (trax models)	
15C-	102158GT	O-RING,.103 X 4.737,VITON, 75D (trax models)	
15C-	102166GT	VALVE,CHECK,30 PSI (trax models)	
15C-	102167GT	SHAFT,INPUT DRIVE HUB (trax models)	
15C-	106098GT	SEAL KIT,MOTOR,LC/KC*** (trax models)	
15C-	27067GT	SEAL,SHAFT-SUNDSTRAND*** (trax models)	
15C-	77674GT	NUT,HEX,FLANGE 5/8-18,GRD 8 ZI (trax models)	
15C-	88884GT	MOTOR,PISTON,30CC,4WD*** (trax models)	
16		REF. WHEEL AND TIRE ASSEMBLY refer to 201.1	
17	77674GT	NUT,HEX,FLANGE 5/8-18,GRD 8 ZI (trax models)	18
18	1283533GT	WELDMENT, REAR AXLE includes bearing	1
18-	42014GT	BEARING,2.00IDX2.25ODX2.00L (trax models)	
19	824063GT	SCREW, HHC, 1/4-20 X 1.75, 8, ZAG (trax models)	
20	824113GT	WASHER,FLAT,1/4,USS,ZAG (trax models)	
21	1263141GT	SCREW,HHC,5/8-11X5.5,8,ZAG (trax models)	18
22	63468GT	BEARING,TURNTABLE ROTATION (trax models)	
22-	227785GT	BEARING TURNTABLE SEAL *** (trax models)	
23	1282181GT	SPACER,1.313ODX5/8IDX1.5L (trax models)	18



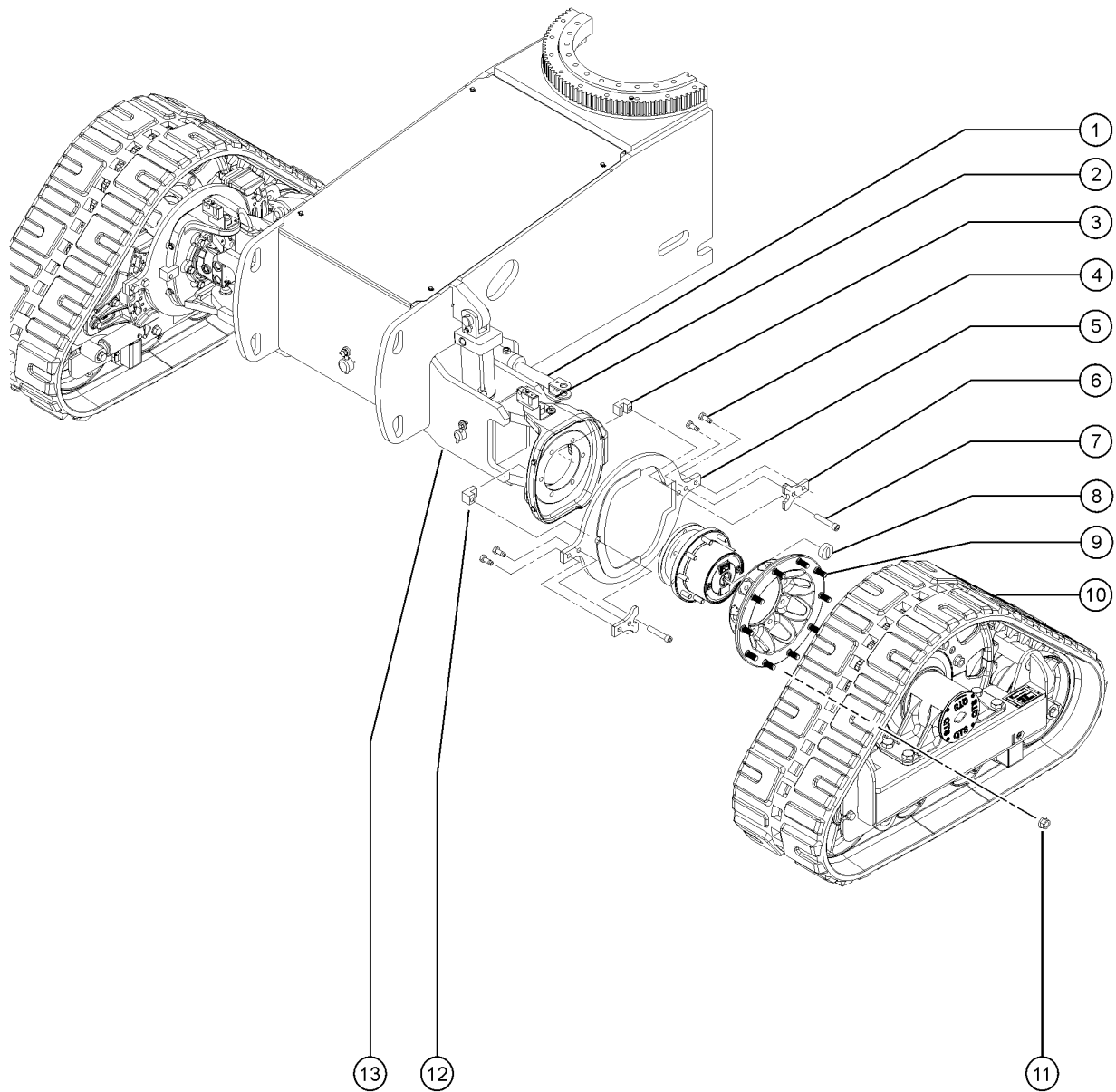
203.1 Oscillate Valve



Item	Part No.	Description	Qty.
1	81552GT	VALVE,MANUAL,W/RELIEF VALVE***	1
1-	32681GT	SEAL KIT,CONTROL VALVE for 81552	
2	1257862GT	SCREW,HHF,1/2-13X2.75,8,ZAG	2
3	1255712GT	BRACKET, OSCILLATE VALVE	1
4	81609GT	SHIM,AXLE ROTATION STOP,22G	2
5		REF: Non-Steer Axle refer to 202.1 or 205.1 for TraX models	1
6	1255802GT	SCREW,HHF,1/2-13X2.5,8,ZAG	1
7	1257076GT	BOLT,SHS,1/4-28X4,ZAG	1
8	81691GT	ROD END,BALL JOINT 1/4-28	1
9	1256467GT	NUT,TL FLG,10-24,F,ZAG	1
10	824041GT	NUT, 1/4-28, 8, ZAG	2
11	1257077GT	ROD,THREADED,1/4-28X4,ZAG	1
12	21130GT	CLEVIS YOKE-1/4-28,PLTD W/PIN	1
13	824064GT	SCREW, HHC, 1/4-20 X 2.25, 8, ZAG	2
14	824113GT	WASHER,FLAT,1/4,USS,ZAG	4
15	824027GT	NUT,TL FLG,1/4-20,G,ZAG	2
16	1255702GT	BAR,AXLE ROTATION STOP,OSC.	2



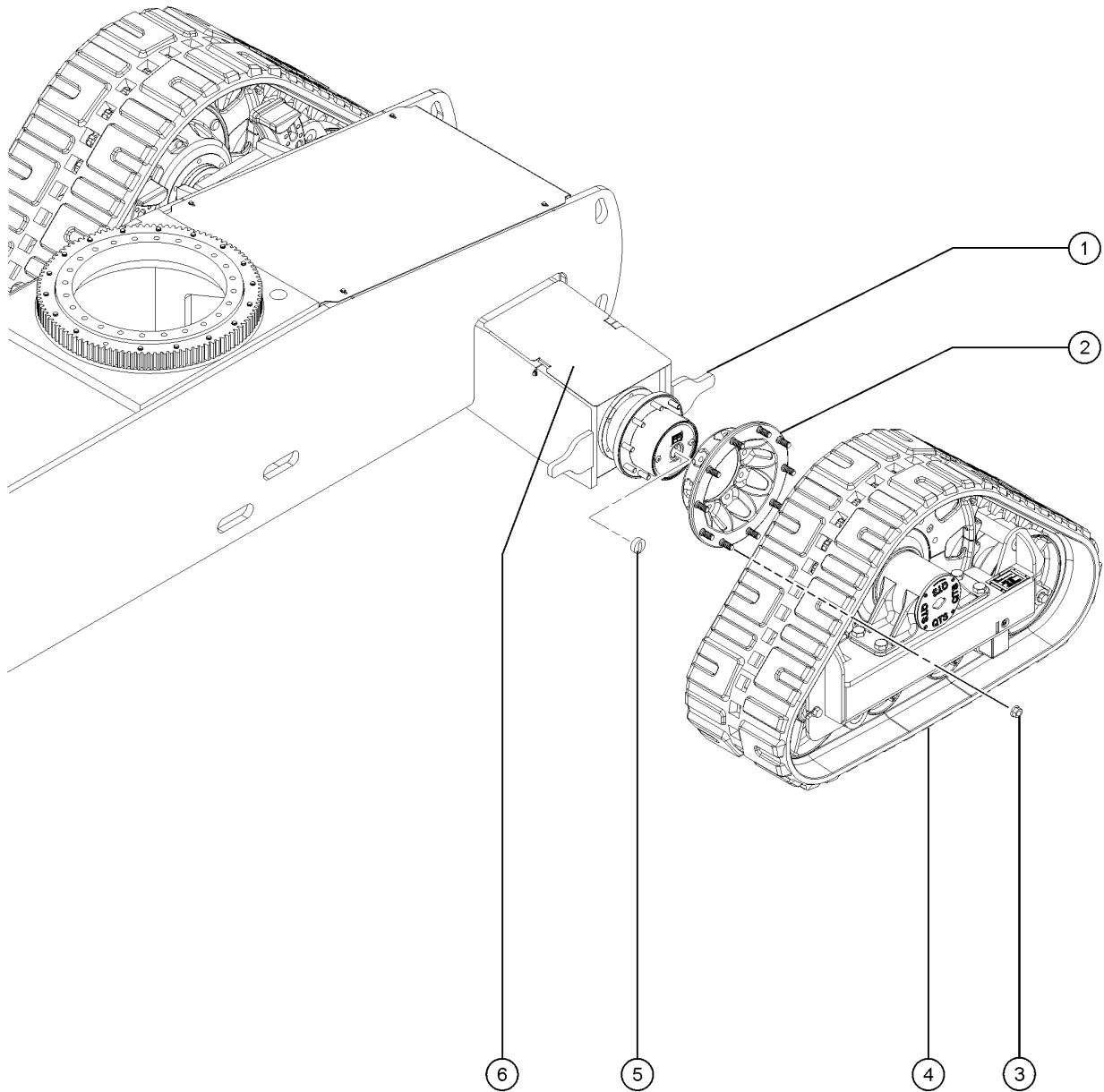
204.1 TraX Option Steer End



Item	Part No.	Description	Qty.
1	125865GT	CYLINDER, STEER	1
1-	89294GT	SEAL KIT CYLINDER (59460)	
2	1255715GT	WELDMENT, TIE ROD	1
3	139122GT	MACH. MOUNTING BLOCK	1
4	94439GT	SCREW,HHC,3/4-10 X 1.5	4
5	139000GT	ROTATIONAL LIMITER FRONT RIGHT	1
		Right	
5B	139001GT	ROTATIONAL LIMITER FRONT LEFT	1
		Left	
6	139121GT	PLATE, HAMMER SHIM 1/2	2
7	28117GT	SCREW,SHC,5/8-11 X 1.5	2
8	139179GT	SEAL,TRAX HUBS	1
9	139002GT	SPACER, 9 BOLT	2
9-	139140GT	STUD, 3/4-16 UNF X 2-1/2 LG	
		for 139002	
10	139120GT	ASSEMBLY, TRAX UNIT, RIGHT	1
		refer to 206.1 for TRAX System service components	
10B	147149GT	ASSEMBLY, TRAX UNIT, LEFT	1
		refer to 206.1 for TRAX System service components	
11	1257865GT	NUT,TL FLG,3/4-16,G,ZAG	10
12	139125GT	MACH. MOUNTING BLOCK	1
13	1270350GT	STEER AXLE ASSY BLK,TRAX	1
		includes bearing	
13-	45071GT	BEARING,1.5IDX1.75ODX1.5L	
		for 1255716, sold separately	



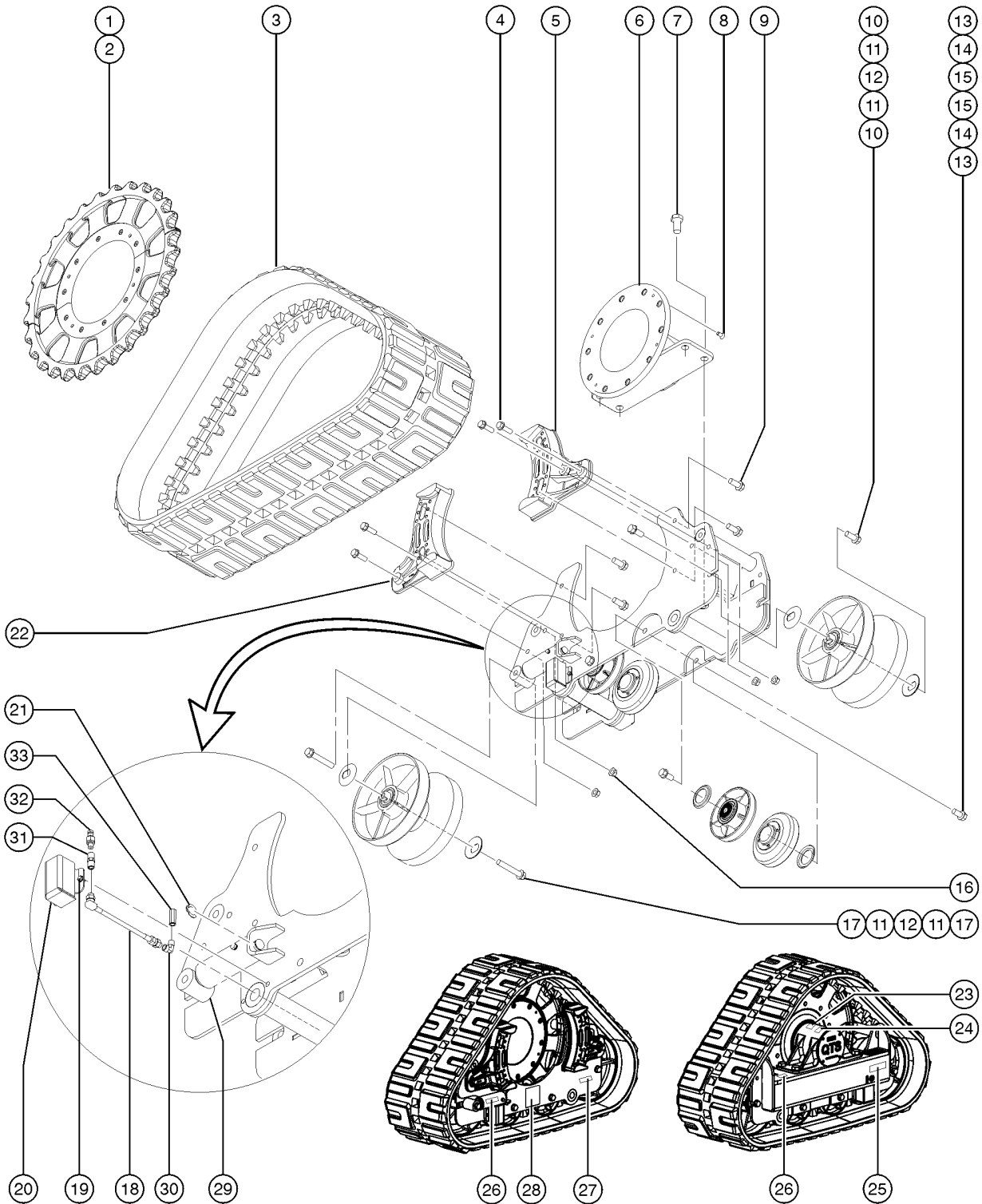
205.1 TraX Option Non-steer End



Item	Part No.	Description	Qty.
1	1270351GT	NON-STEER AXLE ASSY BLK,TRAX includes bearing	
1-	42014GT	BEARING,2.00IDX2.25ODX2.00L not included, order seperately	
2	139002GT	SPACER, 9 BOLT	2
2-	139140GT	STUD, 3/4-16 UNF X 2-1/2 LG for 139002	
3	1257865GT	NUT,TL FLG,3/4-16,G,ZAG	10
4		Ref., TRAX UNIT, RIGHT right; refer to 206.1	1
4B		Ref., TRAX UNIT, LEFT left; refer to 206.1	1
5	139179GT	SEAL,TRAX HUBS	2
6	1255714GT	COVER, REAR AXLE	



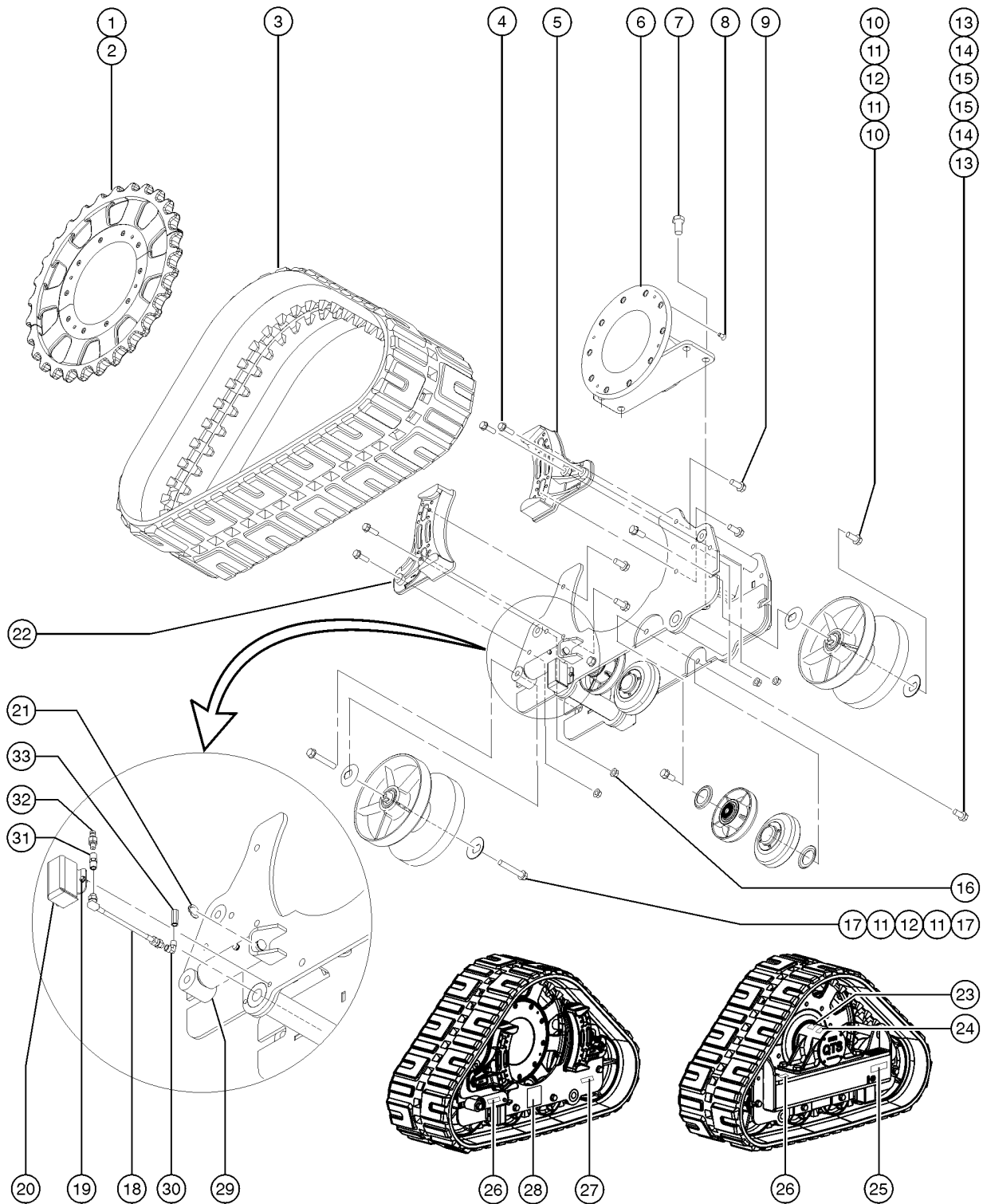
206.1 TraX Option Components



Item	Part No.	Description	Qty.
A	139262GT	KIT,TRAX,9-BOLT, RR HUBS	
A-	139179GT	SEAL,TRAX HUBS	
B	217979GT	KIT,TRAX,9-BOLT, OMNI HUB	
B-	139179GT	SEAL,TRAX HUBS	
C	139000GT	ROTATIONAL LIMITER FRONT RIGHT	
D	139001GT	ROTATIONAL LIMITER FRONT LEFT	
E	147155GT	ROTATIONAL LIMITER REAR	
1	128922GT	SPROCKET, MACH. HALF RIGHT	1
2	128923GT	SPROCKET, MACH. HALF LEFT	1
3	128926GT	TRACK, RUBBER	1
4	111155GT	SCREW,FLANGE,HHC,5/8-11X2,GR8	4
5	128925GT	CAST, LIMITER STOP BRKT R	1
6	128928GT	HUB ASSEMBLY	1
6-	1287812GT	SEAL,RUBBER BRAKE RELEASE,RUBBER TRACK (139120)	
6-	1287813GT	O-RING,RUBBER TRACK (139120)	
7	128913GT	BOLT,HHC,1-14X2.0"GR8 PLT	4
8	128914GT	SCREW, FHSC, 1/2-13X1.00	4
9	128912GT	BOLT,FLANGE,5/8-11X1.5"GR8 PLT	4
10	128910GT	BOLT,FLANGE,3/4-10X1.75GR8 PLT	2
11	128920GT	COVER, DUST	4
12	128917GT	END BOGEY	2
13	128909GT	BOLT,FLANGE,3/4-10X1.5"GR8 PLT	4
14	128921GT	GUARD, SEAL	4
15	128918GT	SPLIT BOGEY	4
15-	215424GT	BEARING, SPL BOGEY (128918)	
		for 128918	
15-	215425GT	SEAL, BEARING (128918)	
		for 215424	
15-	215426GT	SHAFT, RAISED BOSS (128918)	
		internal shaft with raised boss on end	
15-	215427GT	SHAFT, KNURLED (128918)	
		internal shaft with knurled end	



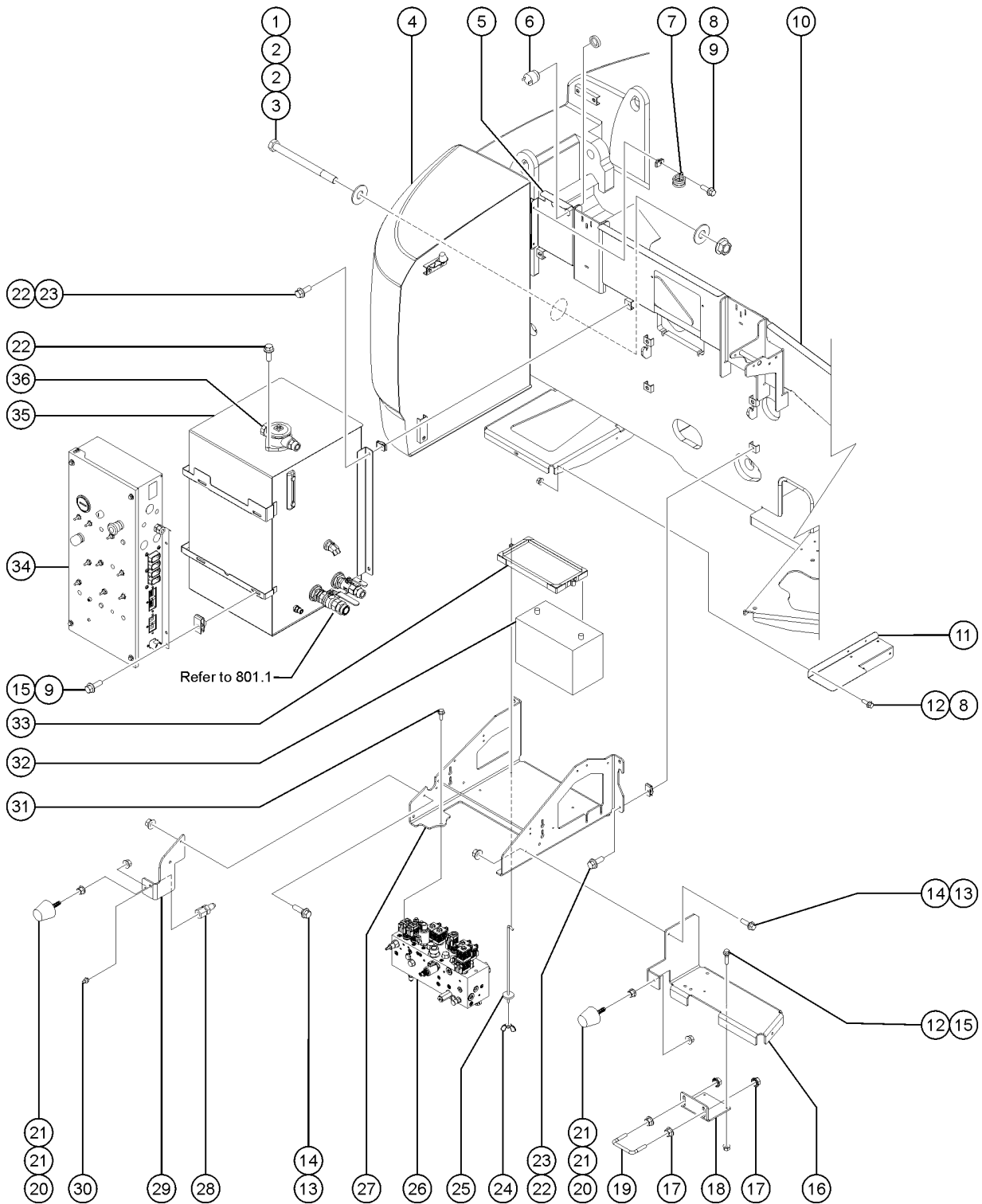
206.1 TraX Option Components



<i>Item</i>	<i>Part No.</i>	<i>Description</i>	<i>Qty.</i>
16	128916GT	NUT,FLANGE,LOCK,5/8-11GR8 PLT	4
17	128911GT	BOLT,FLANGE,3/4-10X4.5"GR8 PLT	2
18	128927GT	HYD. HOSE ASSEMBLY 3000 PSI	1
19	128955GT	BOLT,FLANGE,5/16-18X.50 GR5	4
20	1261393GT	ASSEMBLY, OUTSIDE HOSE GUARD	
		shown for reference only	
20B	1261394GT	ASSEMBLY, INSIDE HOSE GUARD	
21	128919GT	SNAP RING	2
22	128924GT	CAST, LIMITER STOP BRKT L	1
23	226940GT	DECAL,LABEL,TORQUE	1
24	226944GT	DECAL,WARN,AVOID INJURY	1
25	226946GT	DECAL,WARN,HIGH PRESS	1
26	226943GT	DECAL,CAUTION,READ INST	1
27	226945GT	DECAL,WARN,CRUSH HAZ	1
28	226941GT	DECAL,LABEL,ASSY INSTALL,R	1
28B	226942GT	DECAL,LABEL,ASSY INSTALL,L	
29	215423GT	TENSIONER, TRAX	
30	1261392GT	ELBOW,90,1/4-18NPT,FEMALE	
31	1261390GT	COUPLING - 1/4 NPT	
32	1261389GT	NIPPLE,STEEL PIPE,1/4NPTX1 LG	
33	1261391GT	NIPPLE,STEEL PIPE,1/4NPTX2.5LG	

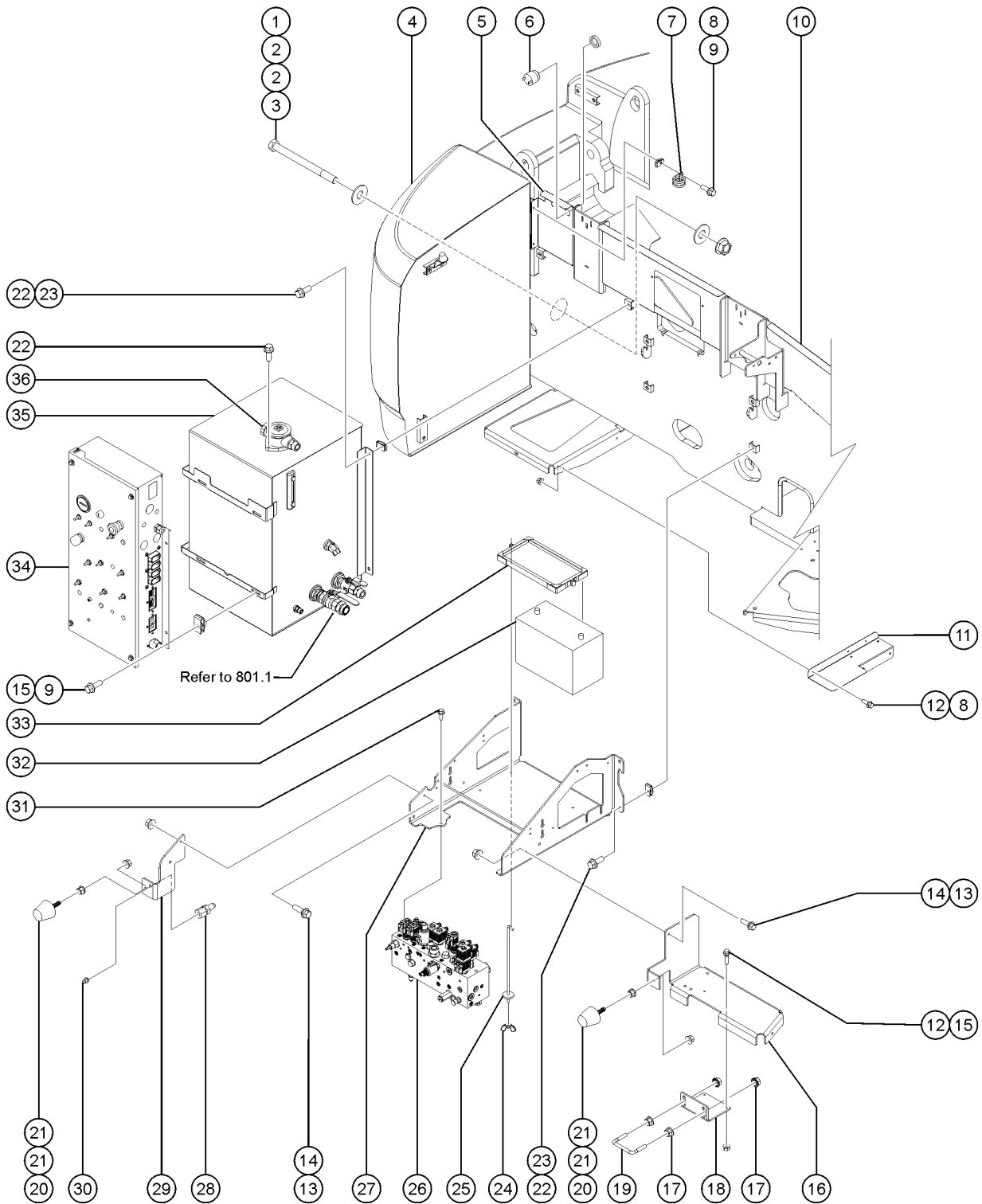


301.1 Tank Side - View 1 (to SN S65D-2611)



Item	Part No.	Description	Qty.
1	1255389GT	SCREW,HHC,1-8X12,5,ZAG	1
2	1256469GT	WASHER,FLAT,1.0,USS,ZAG	2
3	824031GT	NUT,TL FLG,1-8,G,ZAG	1
4	1253263GT	COUNTERWEIGHT, S60 (S-60 and S-60X)	1
4B	1257226GT	COUNTERWEIGHT, S65 (S-65 and S-65 trax)	1
5	1253819GT	FORMING, BULKHEAD, TS FRONT	1
6	230392GT	ALARM,DESCENT 72326 nut not included, order separately	1
6-	72326GT	NUT,PLASTIC,RING FOR ALARMS	
7	13268GT	CLAMP,0.75,#12 X 1/4,RUB CUSH	1
8	824078GT	SCREW,HHF,1/4-20X.75,8,ZAG	4
9	56912GT	SPRING CLIP,1/4-20,.025-.15X.5	6
10		Ref: Bulkhead, Left Rear (refer to 302.1)	1
11	T107829GT	FORMING,HARNES SUPPORT,S60/65	1
12	824027GT	NUT,TL FLG,1/4-20,G,ZAG	4
13	824091GT	SCREW,HHF,3/8-16X1.25,8,ZAG	5
14	824029GT	NUT,TL FLG,3/8-16,G,ZAG	5
15	824079GT	SCREW,HHF,1/4-20X1,8,ZAG	6
16	1260112GT	FORMING, MOUNT, LATCH	1
17	1261724GT	NUT,SERRATED,1/2-13,8,ZAG	4
18	1260113GT	FORMING, BRACKET, LATCH	1
19	1259855GT	UBOLT, 0.4724 IN D X 4.0 IN L	1
20	1261277GT	RUBBER BUMPER, 1.25 X 1.25 IN	2
21	824028GT	NUT,TL FLG,5/16-18,G,ZAG	4
22	824090GT	SCREW,HHF,3/8-16X1,8,ZAG	10
23	29868GT	SPRING CLIP,3/8-16,.05-.20X.73,ZAG	8
24	8170GT	NUT,WING,1/4-20	2
25	45708GT	HOOK,BATT HOLD DOWN,10"	2
26		Ref. Function Manifold (refer to 401.1)	1

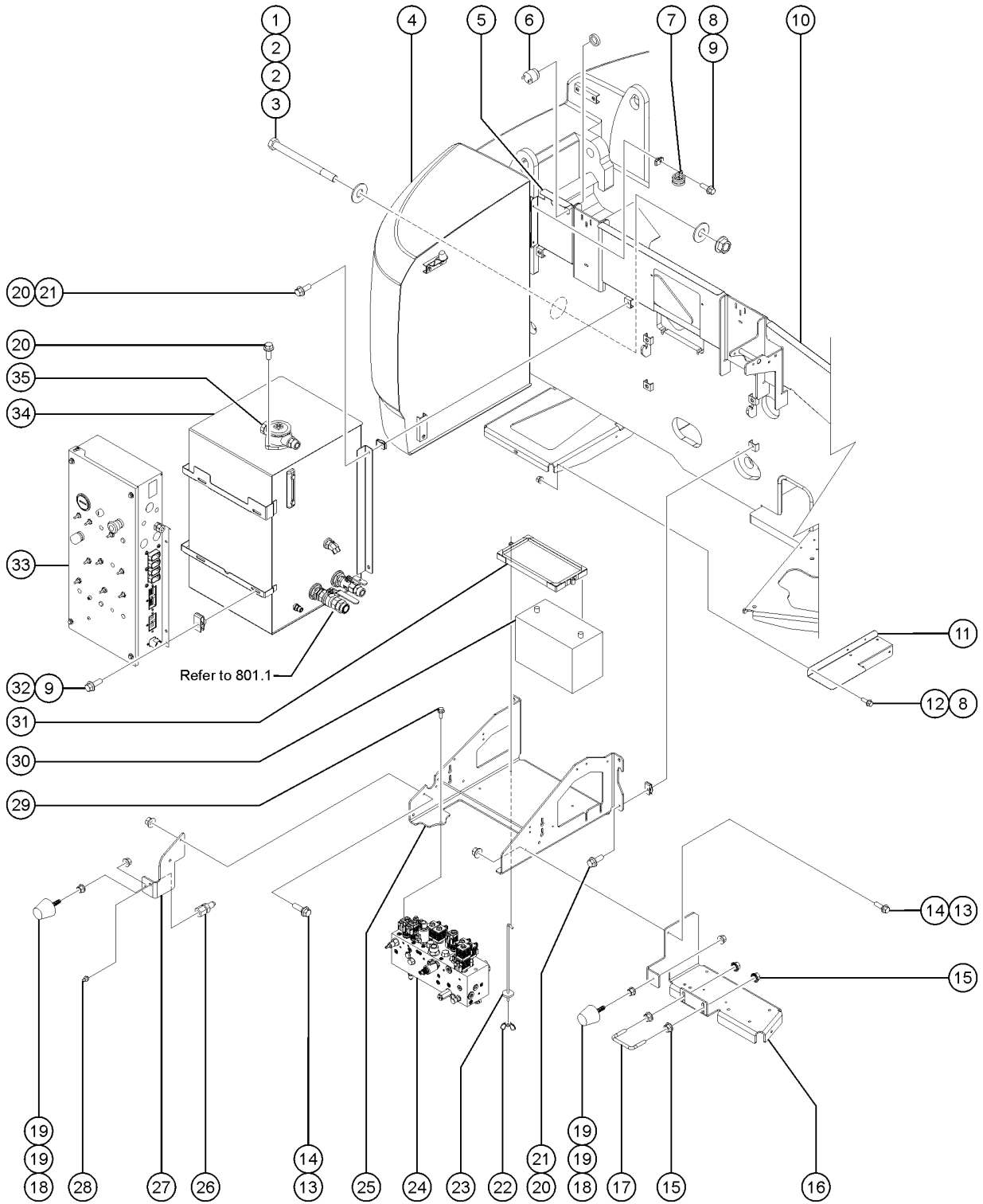
301.1 Tank Side - View 1 (to SN S65D-2611)



Item	Part No.	Description	Qty.
27	1253824GT	WLDMT, BATT/MANIF TRAY, S60/65	1
28	48885GT	CONNECTOR,BULKHEAD,FEMALE-4	1
28-	49189-8638GT	HOSE ASSY,1/4",STR FEM,STR F** Grease hose connects to fitting 48885 is purchased separately (not shown)	
29	1253825GT	FORMING, BRACKET, COVER STOP	1
30	94643GT	ZERK,GREASE,5/16-24,STRAIT	1
31	1255469GT	SCREW,HHF,1/2-13X1.25,8,ZAG	2
32	1306670GT	START BATTERY,12V,1000CCA models with single battery (shown)	1
32B	1306679GT	START BATTERY,12V, 1000CCA M9 for dual-battery option (not shown)	1
32C	237068GT	SEPARATOR,DUAL BATTERY,100A for dual-battery option (not shown)	1
33	30144GT	BATTERY HOLD DOWN,GROUP 31	1
34		Ref. Ground Controls (refer to 304.1 or 305.1)	1
35	1253800GT	ASSY, HYDRAULIC TANK includes item 37 with fasteners and fittings	1
35-	1274135GT	TANK,HYDRAULIC,S60 includes sight gauge	
35-	21141GT	GAUGE-SIGHT,LHA-LGTB***	
36	110345GT	FILTER ASSY,INTANK includes item 36B	1
36A-	147223GT	SEAL,FILTER LID	
36B	77353GT	KIT,ELEMENT**	
36B-	94526GT	GASKET,RETURN FILTER-77353	
36B-	77354GT	FILTER LID,RFM165	
36B-	77365GT	BREATHER CAP,RFM165	
36B-	88917GT	FILTER,ELEMENT,BETA(10)=200	



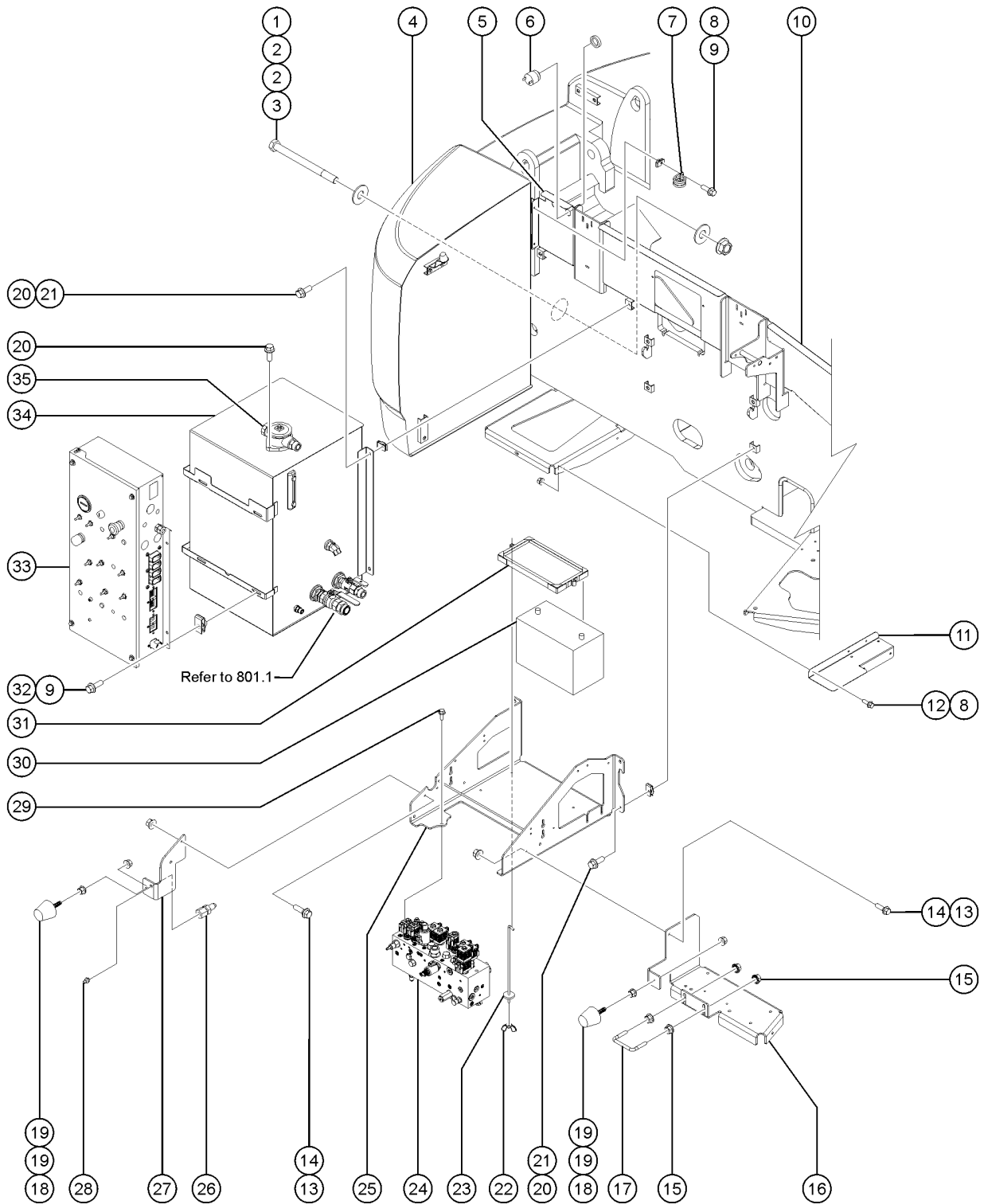
301.2 Tank Side - View 1 (from SN S65D-2612)



Item	Part No.	Description	Qty.
1	1255389	SCREW,HHC,1-8X12,5,ZAG	1
2	1256469	WASHER,FLAT,1.0,USS,ZAG	2
3	824031	NUT,TL FLG,1-8,G,ZAG	1
4	1253263	COUNTERWEIGHT, S60 (S-60 and S-60X)	1
4B	1257226	COUNTERWEIGHT, S65 (S-65 and S-65 trax)	1
5	1253819	FORMING, BULKHEAD, TS FRONT	1
6	230392	ALARM,DESCENT 72326 nut not included, order separately	1
6-	72326	NUT - PLASTIC,RING FOR ALARMS	
7	13268	CLAMP,0.75,#12 X 1/4,RUB CUSH	1
8	824078	SCREW,HHF,1/4-20X.75,8,ZAG	4
9	56912	SPRING CLIP,1/4-20,.025-.15X.54,ZAG	6
10		Ref: Bulkhead, Left Rear (refer to 302.1)	1
11	T107829GT	FORMING,HARNES SUPPORT,S60/65	1
12	824027	NUT, TL FLG, 1/4-20, G, ZAG	2
13	824091	SCREW,HHF,3/8-16X1.25,8,ZAG	5
14	824029	NUT, TL FLG, 3/8-16, G, ZAG	5
15	1261724	NUT,SERRATED,1/2-13,8,ZAG	4
16	1299532	FORMING, MOUNT, LATCH	1
17	1259855	UBOLT, 0.4724 IN D X 4.0 IN L	1
18	1261277	BUMPER, RUBBER, 1.25 X 1.25 IN	2
19	824028	NUT,TL FLG,5/16-18,G,ZAG	4
20	824090	SCREW,HHF,3/8-16X1,8,ZAG	10
21	29868	SPRING CLIP,3/8-16,.05-.20X.73,ZAG	8
22	8170	NUT,WING,1/4-20	2
23	45708	HOOK,BATT HOLD DOWN,10"	2
24		Ref. Function Manifold (refer to 401.1)	1
25	1253824	WLDMT, BATT/MANIF TRAY, S60/65	1
26	48885	CONNECTOR,BULKHEAD,FEMALE-4	1



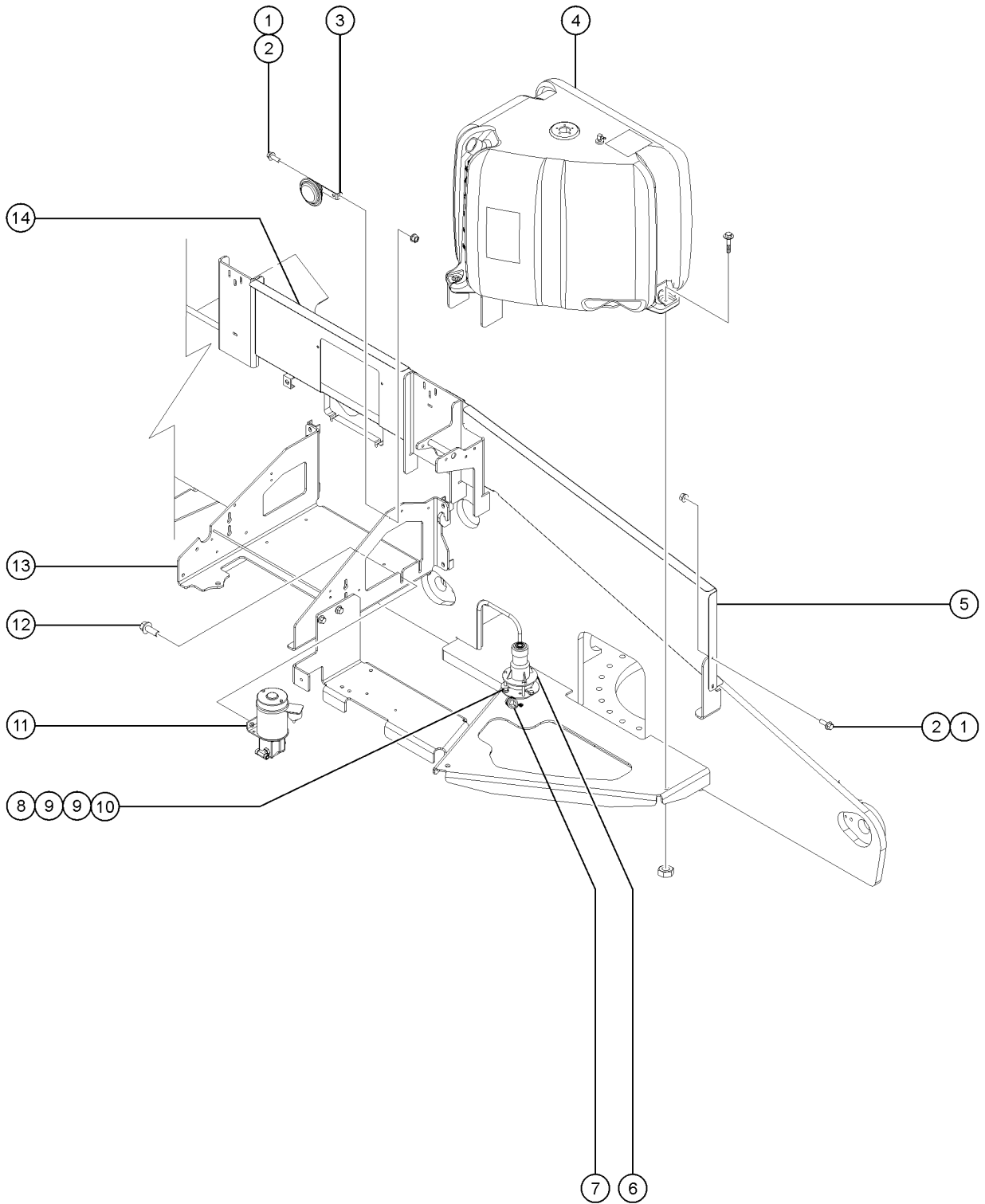
301.2 Tank Side - View 1 (from SN S65D-2612)



Item	Part No.	Description	Qty.
26-	49189-8636GT	HOSE ASSY,1/4",STR FEM,STR F** Grease hose connects to fitting 48885 is purchased separately (not shown)	
27	1253825	FORMING, BRACKET, COVER STOP	1
28	94643	ZERK,GREASE,5/16-24,STRAIT	1
29	1255469	SCREW,HHF,1/2-13X1.25,8,ZAG	2
30	1306670GT	START BATTERY,12V,1000CCA models with single battery (shown)	1
30B	1306679GT	START BATTERY,12V, 1000CCA M9 for dual-battery option (not shown)	1
30C	237068	SEPARATOR,DUAL BATTERY,100A for dual-battery option (not shown)	1
31	30144	BATTERY HOLD DOWN,GROUP 31	1
32	824079	SCREW,HHF,1/4-20X1,8,ZAG	4
33		Ref. Ground Controls (refer to 304.1 or 305.1)	1
34	1253800	ASSY, HYDRAULIC TANK includes item 37 with fasteners and fittings	1
34-	1274135	TANK,HYDRAULIC,S60 includes sight gauge	
34-	21141	GAUGE-SIGHT,LHA-LGTB***	
35	110345	FILTER ASSY,INTANK includes item 36B	1
35-	147223	SEAL,FILTER LID	
35B	77353	KIT,ELEMENT**	
35B-	77354	FILTER LID,RFM165	
35B-	77365	BREATHER CAP,RFM165	
35B-	88917	FILTER,ELEMENT,BETA(10)=200	
35B-	94526	GASKET,RETURN FILTER-77353	



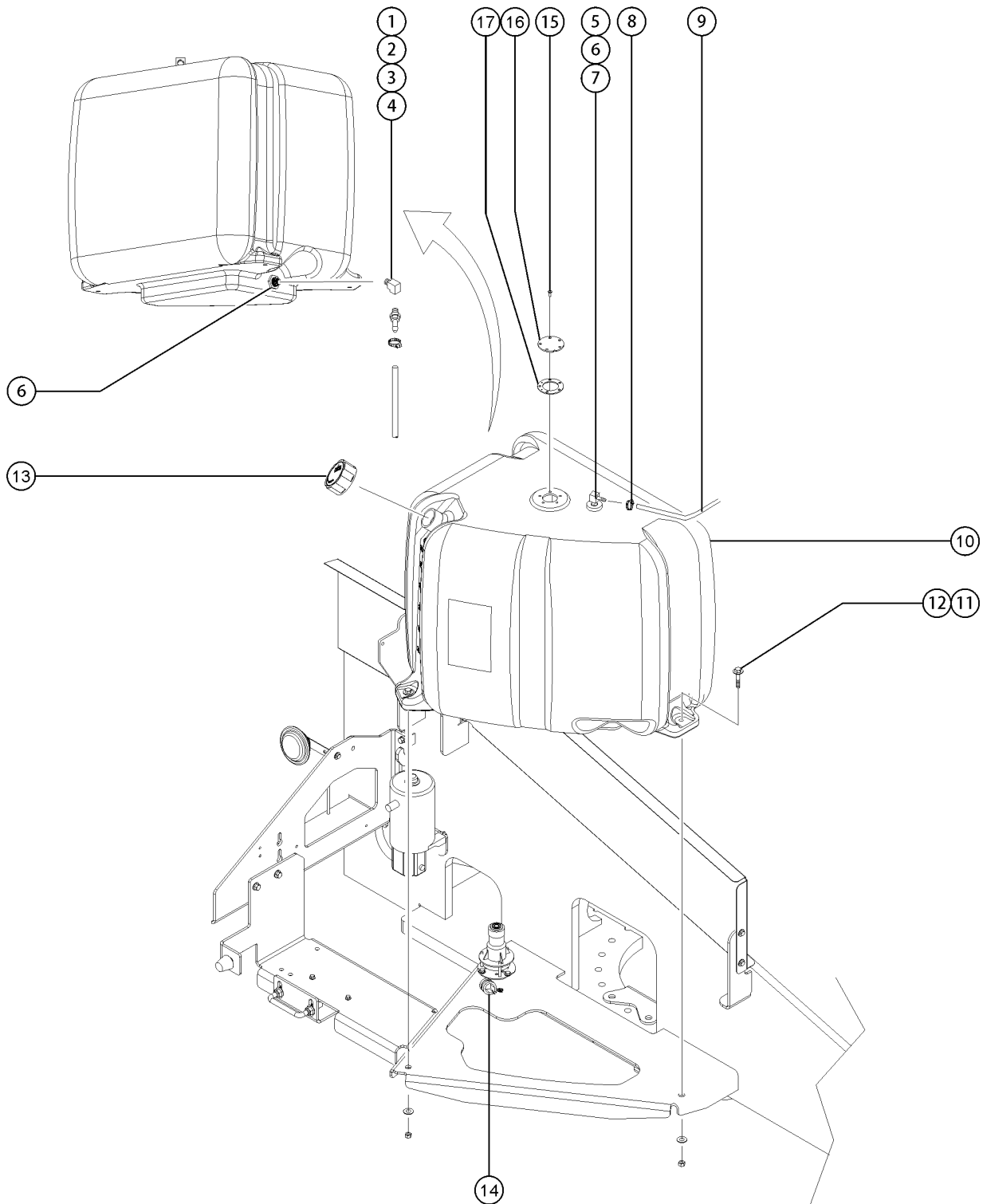
302.1 Tank Side - View 2



Item	Part No.	Description	Qty.
1	824078GT	SCREW,HHF,1/4-20X.75,8,ZAG	3
2	824027GT	NUT,TL FLG,1/4-20,G,ZAG	4
3	81578GT	HORN,12VDC	1
4		Ref: Fuel Tank	1
		(refer to 303.1)	
5	1273342GT	FORMING, BULKHEAD, S60 TS REAR	1
6	94077GT	SENSOR,LEVEL,4.5 DEG	1
		S-60, S-65, S-60X and S-65 TraX; ANSI models	
6B	110382GT	LEVEL SENSOR,LS60,YL,2.5X4.5	1
		S-60, S-65, S-60 and S-65 TraX; European models	
6C	1263187GT	SENSOR, LEVEL,2.5 X 4.5 DEG	1
7	45454GT	CLAMP,RUB CUSH,0.75,#12 X 3/8*	
8	8915GT	SCREW,HHC,1/4-20 X 1.25	3
9	6638GT	WASHER,FLAT,USS,1/4"Y	6
10	6091GT	NUT,NYLOCK,1/4-20	3
11	89617GT	POWER UNIT,AUX PUMP 12VDC	1
11-	147289GT	SEAL KIT, APU	
11-	147290GT	SHAFT SEAL, APU	
11-	58489GT	PUMP ASSY,AUX.POWER UNIT 89617	
11-	77069GT	MOTOR,12VDC,77066	
11-	77071GT	SOLENOID,77066	
12	824090GT	SCREW,HHF,3/8-16X1,8,ZAG	2
13		Ref. WELDMENT,BAT/MANIF TRAY,S60/65	1
		(refer to 301.1)	
14	1273343GT	FORMING, BULKHEAD, S60 TS FRONT	1



303.1 Tank Side - Diesel Fuel Tank Installation

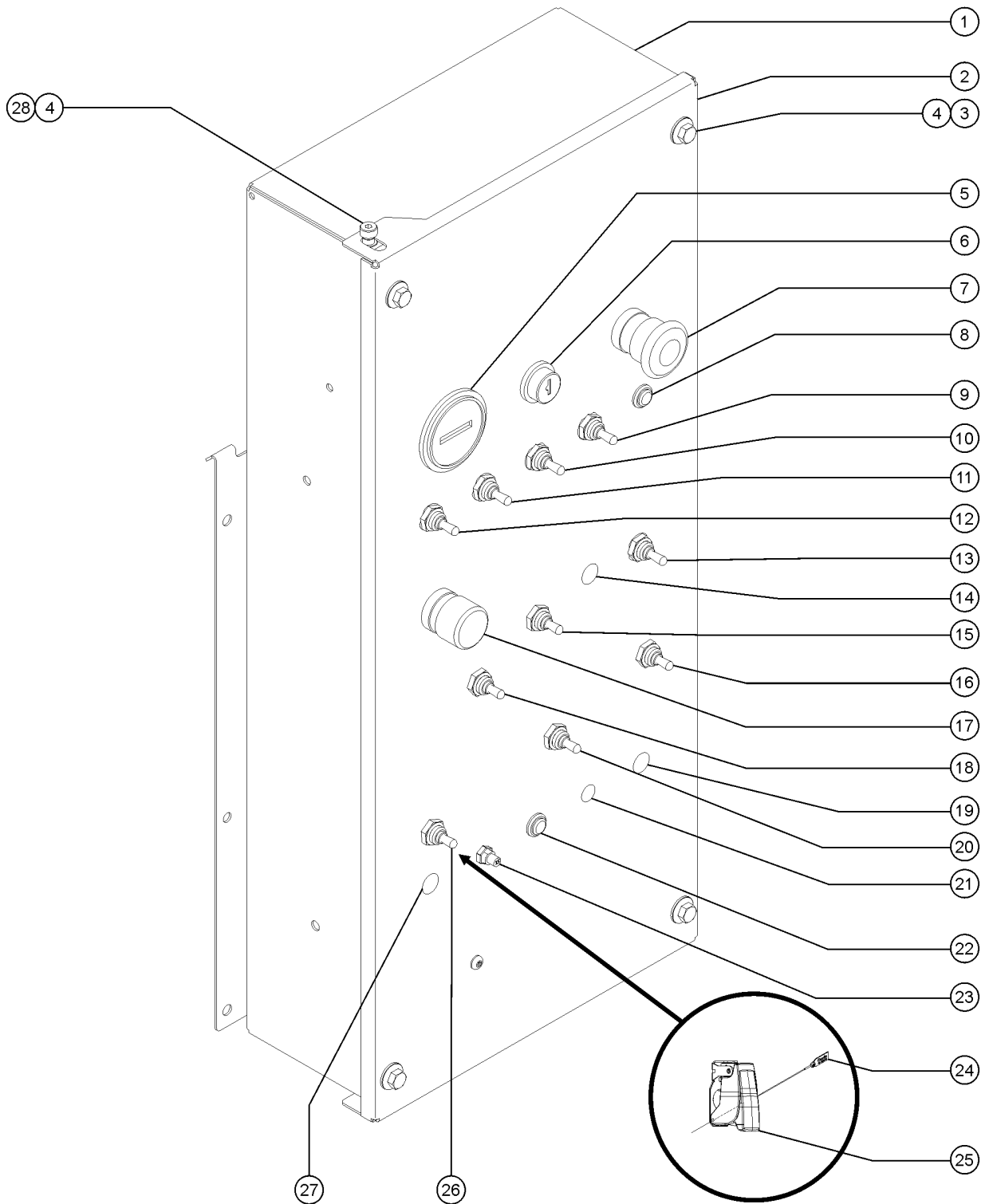


303.1 Tank Side - Diesel Fuel Tank Installation

Item	Part No.	Description	Qty.
1	22348GT	ELBOW,130339-6-6 (bottom of tank)	1
2	54124GT	HOSE END, BARB, 3/8 MNPT X 5/16 (bottom of tank) Deutz D2011L03i, Deutz TD2011L04I and Perkins 404-22D engines	1
3	65887GT	CLAMP,HOSE,1 EAR,1/2 (bottom of tank)	
4	27089GT	HOSE,5/16 FUEL,SAE 30R7 Deutz D2011L03i engine	114
4B	27089GT	HOSE,5/16 FUEL,SAE 30R7 Perkins 404-22D (tank to handpump)	64
4C	27089GT	HOSE,5/16 FUEL,SAE 30R7 Perkins 404-22D (handpump to filter/separator)	18
4D	27089GT	HOSE,5/16 FUEL,SAE 30R7 Perkins 404-22D (filter/separator to lift pump)	12
5	34940GT	HOSE END .375 MPT X .25 HOSE Deutz D2011L03i and Deutz TD2011L04I engines	1
5B	826590GT	FITTING,3/8 NPT TO 1/4 NPT Perkins 404-22D engine	1
6	823356GT	TUBE,FUEL RETURN,3/8X3/8X23.5 (top of tank)	1
7	54324GT	FITTING,BULKHEAD,3/8NPT,FUELTK (top and bottom of tank)	2
8	21465GT	CLAMP,HOSE,.25" - .63" X .3125 (top of tank)	
9	30490GT	HOSE,1/4 FUEL LINE,SAE 30R7 fuel return (top of tank)	126
10	823396GT	FUEL TANK ASSY,35 GAL PLASTIC to S65D-1276 (includes items 6 and 7)(models with fuel sense capability)	1
10B	1274331GT	ASSY, FUEL TANK, 35GAL, DIESEL from S65D-1277 (includes items 6 and 7)(models with fuel sense capability)	1
11	1253478GT	SCREW,HHF,3/8-16X2,8,ZAG	
12	824029GT	NUT,TL FLG,3/8-16,G,ZAG	
13	101726GT	CAP,FUEL,DIESEL,1/8"VENT(GRN)	1
14	45454GT	CLAMP,RUB CUSH,0.75,#12 X 3/8*	
15	1251757GT	SCREW,PHPM,10-32X.5,ZAG models with fuel sense capability	5
16	1271772GT	CAP, TANK, FUEL SENSOR models with fuel sense capability	1
17	1271773GT	GASKET, TANK, FUEL SENSOR models with fuel sense capability	1



304.1 Ground Control Box, with Hour Meter - View 1, External, S-60

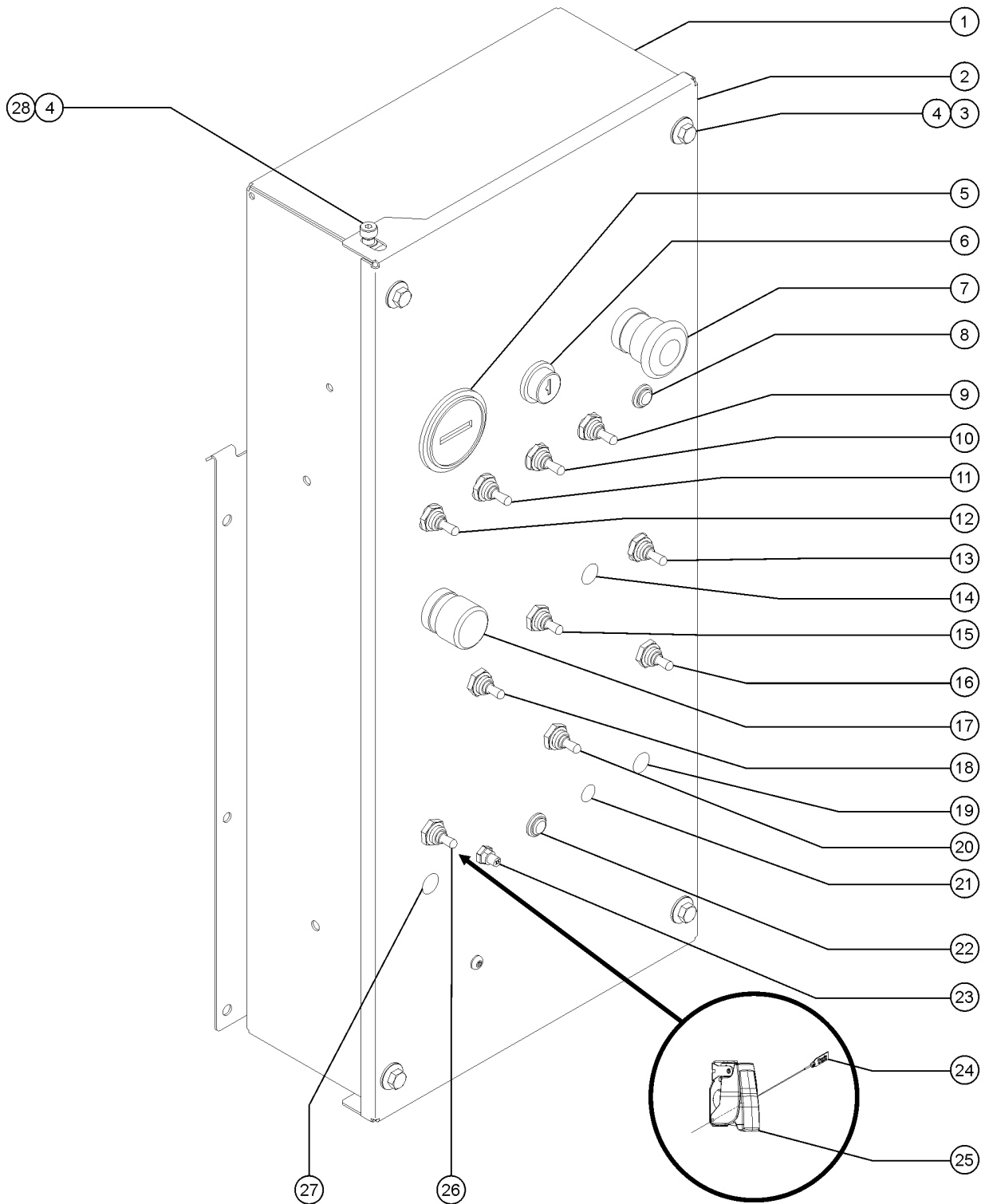


304.1 Ground Control Box, with Hour Meter - View 1, External, S-60

Item	Part No.	Description	Qty.
A	T106495GT	ASSY,GROUND CONTROL BOX included box, lid and gasket (decal not included, refer to section 100)	1
1	147840GT	WELDMENT, GROUND BOX, S60/65 (decal not included, refer to section 100)	
2	T106482GT	WELDMENT, LID, GBOX, S60/65 (decal not included, refer to section 100)	1
3	1256855	WASHER FLAT BONDED RUB	
4	T107520GT	BOLT,SHS,5/16X.375X1/4-20,ZAG	6
5	19506GT	HOUR METER, 10-80 VOLTS*** to SN S65D-864	1
5B	1271076GT	DISPLAY,DIAGNOSTIC,J1939 Deutz D436-L3i-CN3, from SN S65D-865	1
6	96008-SGT	KEYSWITCH,3 POS. W/KEYS*** includes key	1
6-	37947GT	KEYS,10 PACK*** sold seperately	
6-	83093GT	KEY SINGLE***	
6-	85239GT	NUT,RETAINER (96008)	
6-	88827GT	GASKET,KEYSWITCH,PLASTIC***	
6-	96010GT	SCREW,PHILLIPS,PHM,8-32 X.25**	
7	66812GT	BUTTON,PUSH,RED MUSHROOM HEAD	1
7-	73805GT	CONTACT,NC	1
7-	58627GT	NUT for 66812	
8	824879GT	LIGHT,LED IND. RED 12V NH (Diesel models) , to SN S65D-864	1
8B	229567GT	PLUG,SANTOPRENE .5 BLACK DOME (D436 models), from SN S65D-865	1
9	128204GT	SWITCH TOGGLE ASSY SPDT 2P MNT (Engine speed select)	1
10	229567GT	PLUG,SANTOPRENE .5 BLACK DOME (Diesel models)	1
11	128200GT	SWITCH TOGGLE ASSY SPDT 3P MOM (Start assist, glow plug) (diesel models)	1
11B	229567GT	PLUG,SANTOPRENE .5 BLACK DOME	1
12	128200GT	SWITCH TOGGLE ASSY SPDT 3P MOM (Starter)	1
12B	229567GT	PLUG,SANTOPRENE .5 BLACK DOME	1
13	128200GT	SWITCH TOGGLE ASSY SPDT 3P MOM (Platform level)	1
14	229567GT	PLUG,SANTOPRENE .5 BLACK DOME (S-60)	2
15	128202GT	SWITCH TOGGLE ASSY DPDT 3P MOM (Boom extend/retract)	1
16	128202GT	SWITCH TOGGLE ASSY DPDT 3P MOM (Platform rotate)	1



304.1 Ground Control Box, with Hour Meter - View 1, External, S-60

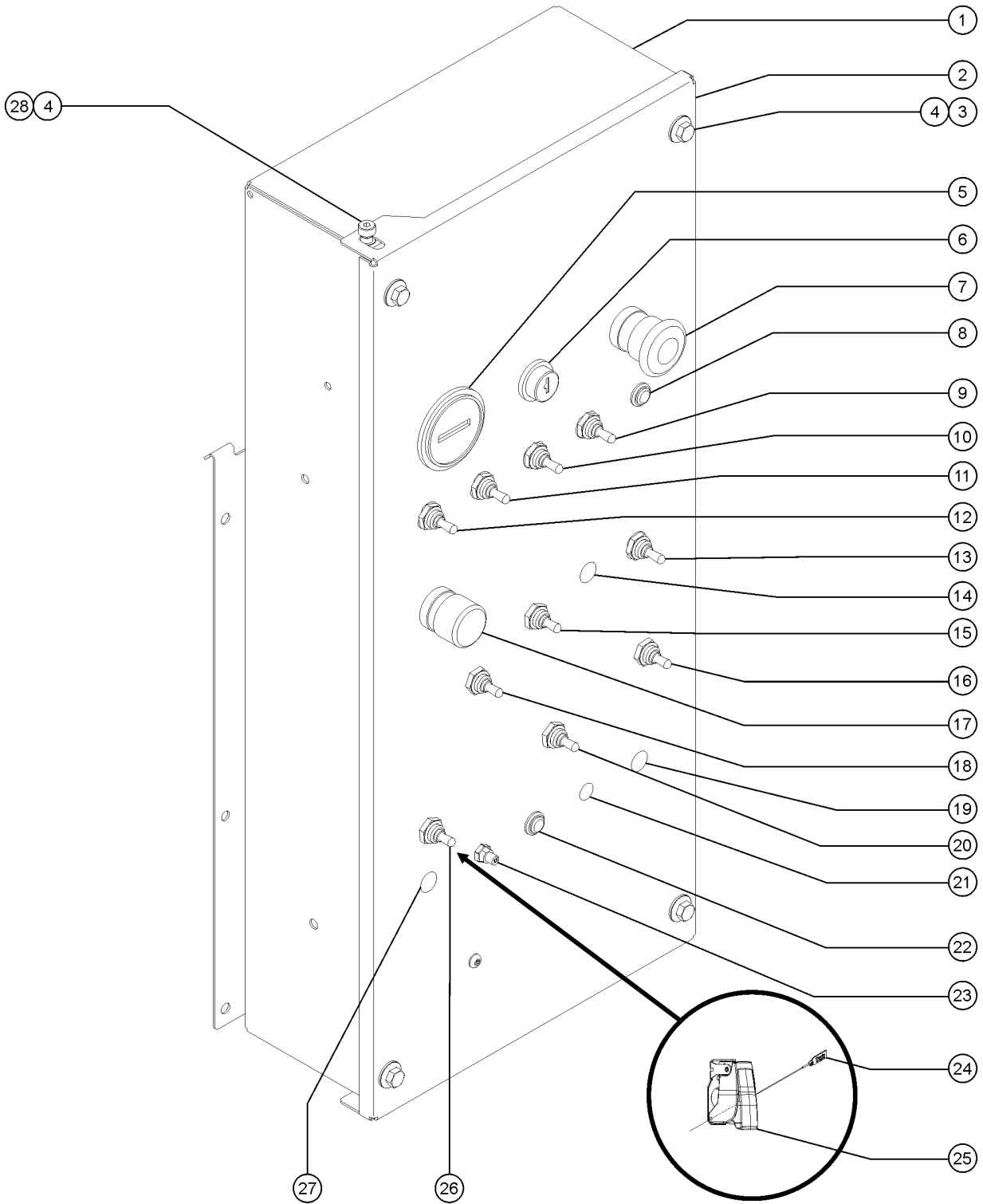


304.1 Ground Control Box, with Hour Meter - View 1, External, S-60

Item	Part No.	Description	Qty.
17	66813GT	BUTTON,PUSH,BLACK W/SEAL*** (Function enable) (models with push button) shown	1
17B	80716GT	SWITCH,SELECTOR,BLACK (Function enable) (models with selector switch) not shown	
18	128202GT	SWITCH TOGGLE ASSY DPDT 3P MOM (Boom up/down)	1
19	229567GT	PLUG,SANTOPRENE .5 BLACK DOME	1
20	128202GT	SWITCH TOGGLE ASSY DPDT 3P MOM (Turntable rotate)	1
21	21858GT	PLUG,NYLON .38 BLACK DOMED	1
22	824879GT	LIGHT,LED IND. RED 12V NH	1
23	147094GT	ASSY, CIRCUIT BREAKER 15A (Controls)	1
24	1261566GT	SECURITY TIE, TOGGLE GUARD CE option	1
25	1261346GT	TOGGLE SWITCH GUARD, RED CE option	1
26	128201GT	SWITCH TOGGLE ASSY DPDT 2P MOM (Auxiliary pump)	1
27	21858GT	PLUG,NYLON .38 BLACK DOMED ANSI models	1
27B	824879GT	LIGHT,LED IND. RED 12V NH (Load sense) (Australia and CE models)	
28	1257410GT	WASHER,SHOULDER,NYLON	



304.2 Ground Control Box, with Hour Meter - View 1, External, S-65

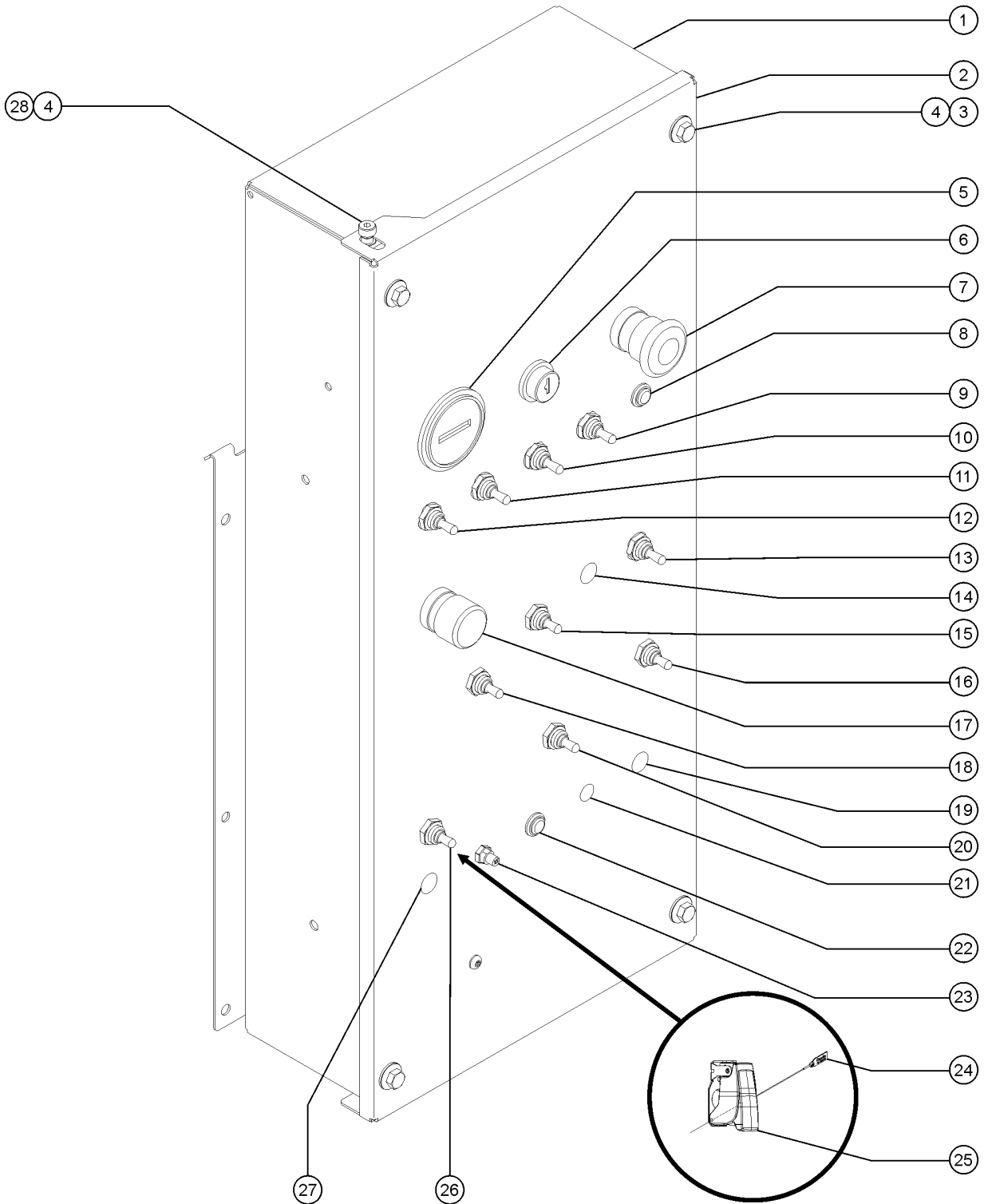


304.2 Ground Control Box, with Hour Meter - View 1, External, S-65

Item	Part No.	Description	Qty.
A	T106495GT	ASSY,GROUND CONTROL BOX included box, lid and gasket (decal not included, refer to section 100)	1
1	147840GT	WELDMENT, GROUND BOX, S60/65 (decal not included, refer to section 100)	
2	T106482GT	WELDMENT, LID, GBOX, S60/65 (decal not included, refer to section 100)	1
3	1256855	WASHER FLAT BONDED RUB	
4	T107520GT	BOLT,SHS,5/16X.375X1/4-20,ZAG	6
5	19506GT	HOUR METER, 10-80 VOLTS***	1
5B	1271076GT	DISPLAY,DIAGNOSTIC,J1939 Deutz D436-L3i-CN3, from SN S65D-865	1
6	96008-SGT	KEYSWITCH,3 POS. W/KEYS*** includes key	1
6-	37947GT	KEYS,10 PACK*** sold seperately	
6-	83093GT	KEY SINGLE***	
6-	85239GT	NUT,RETAINER (96008)	
6-	88827GT	GASKET,KEYSWITCH,PLASTIC***	
6-	96010GT	SCREW,PHILLIPS,PHM,8-32 X.25**	
7	66812GT	BUTTON,PUSH,RED MUSHROOM HEAD	1
7-	73805GT	CONTACT,NC	1
7-	58627GT	NUT for 66812	
8	824879GT	LIGHT,LED IND. RED 12V NH (Diesel models)	1
8B	229567GT	PLUG,SANTOPRENE .5 BLACK DOME (D436 models), from SN S65D-865	1
9	128204GT	SWITCH TOGGLE ASSY SPDT 2P MNT (Engine speed select)	1
10	229567GT	PLUG,SANTOPRENE .5 BLACK DOME (Diesel models)	1
11	128200GT	SWITCH TOGGLE ASSY SPDT 3P MOM (Start assist, glow plug) (diesel models)	1
11B	229567GT	PLUG,SANTOPRENE .5 BLACK DOME	1
12	128200GT	SWITCH TOGGLE ASSY SPDT 3P MOM (Starter)	1
12B	229567GT	PLUG,SANTOPRENE .5 BLACK DOME	1
13	128200GT	SWITCH TOGGLE ASSY SPDT 3P MOM (Platform level)	1
14B	128200GT	SWITCH TOGGLE ASSY SPDT 3P MOM (Jib up/down) (S-65)	
15	128202GT	SWITCH TOGGLE ASSY DPDT 3P MOM (Boom extend/retract)	1
16	128202GT	SWITCH TOGGLE ASSY DPDT 3P MOM (Platform rotate)	1



304.2 Ground Control Box, with Hour Meter - View 1, External, S-65

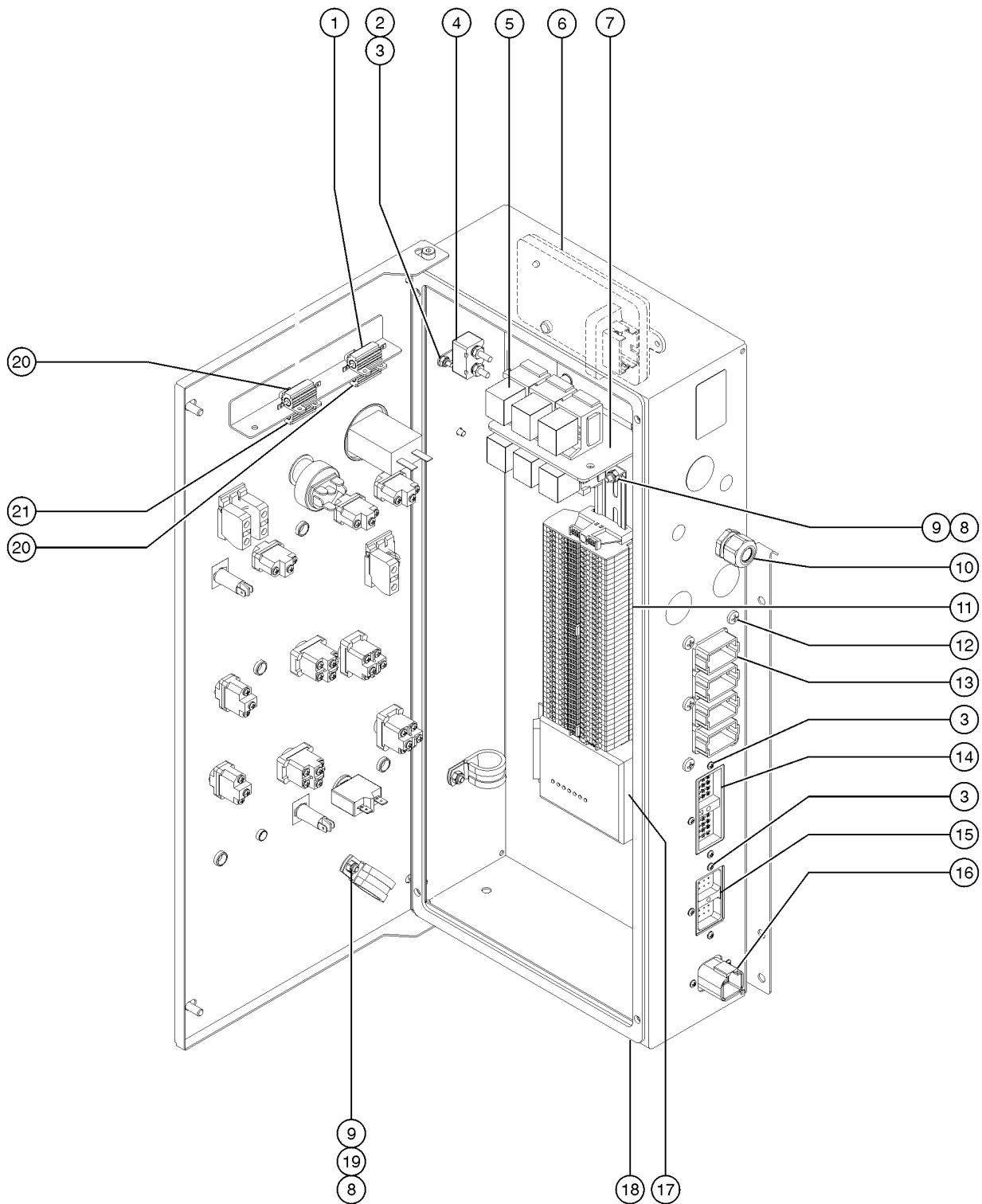


304.2 Ground Control Box, with Hour Meter - View 1, External, S-65

Item	Part No.	Description	Qty.
17	66813GT	BUTTON,PUSH,BLACK W/SEAL*** (Function enable) (models with push button) shown	1
17B	80716GT	SWITCH,SELECTOR,BLACK (Function enable) (models with selector switch) not shown	
18	128202GT	SWITCH TOGGLE ASSY DPDT 3P MOM (Boom up/down)	1
19	229567GT	PLUG,SANTOPRENE .5 BLACK DOME	1
20	128202GT	SWITCH TOGGLE ASSY DPDT 3P MOM (Turntable rotate)	1
21	21858GT	PLUG,NYLON .38 BLACK DOMED	1
22	824879GT	LIGHT,LED IND. RED 12V NH	1
23	147094GT	ASSY, CIRCUIT BREAKER 15A (Controls)	1
24	1261566GT	SECURITY TIE, TOGGLE GUARD CE option	1
25	1261346GT	TOGGLE SWITCH GUARD, RED CE option	1
26	128201GT	SWITCH TOGGLE ASSY DPDT 2P MOM (Auxiliary pump)	1
27	21858GT	PLUG,NYLON .38 BLACK DOMED ANSI models	1
27B	824879GT	LIGHT,LED IND. RED 12V NH (Load sense) (Australia and CE models)	
28	1257410GT	WASHER,SHOULDER,NYLON	



305.1 Ground Control Box, with Hour Meter - View 2, Internal

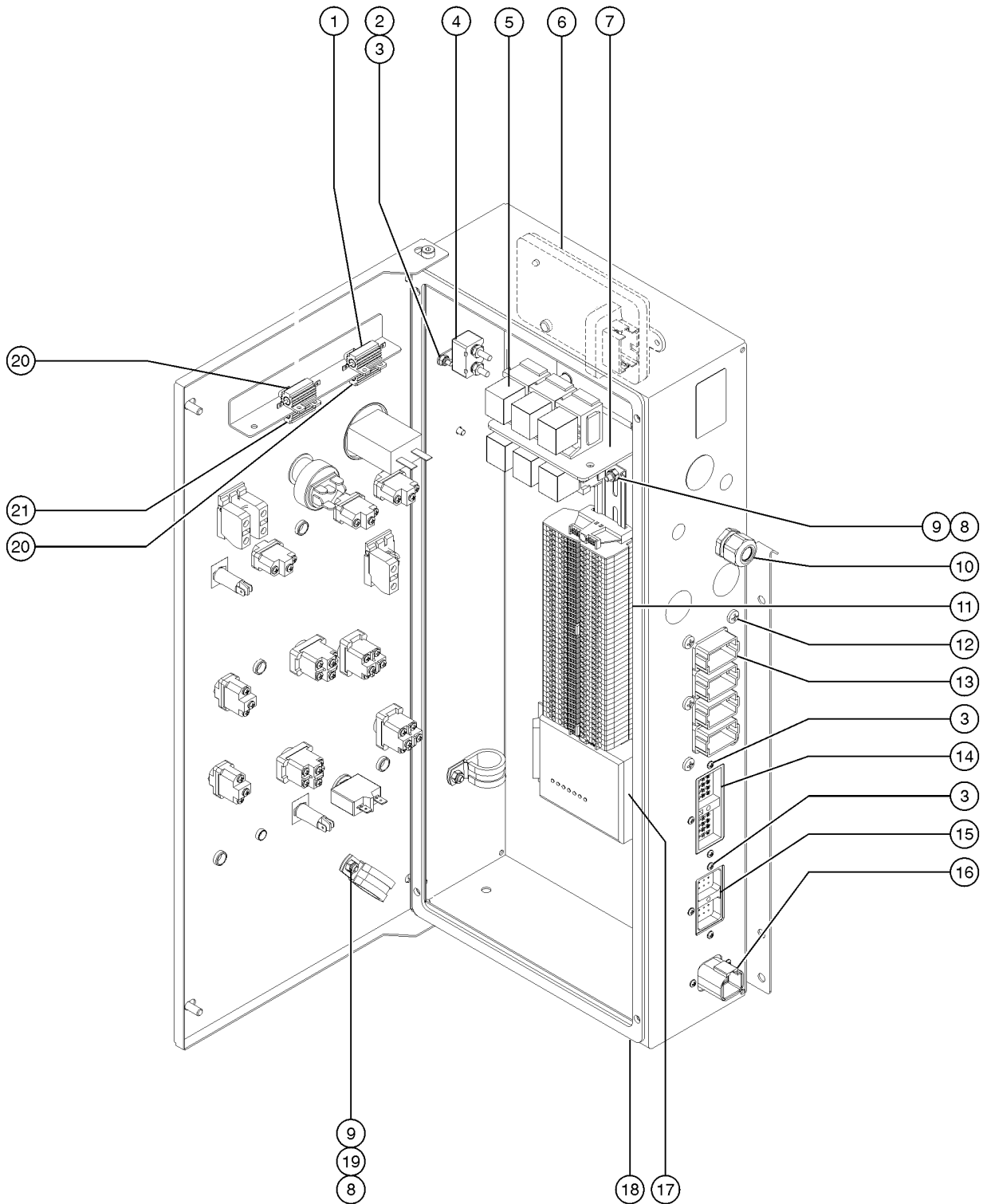


305.1 Ground Control Box, with Hour Meter - View 2, Internal

Item	Part No.	Description	Qty.
-	121846GT	RELAY, TIME DELAY, 2 SEC, 10A models with load sense	
-	61225GT	RELAY, 12VDC, 70AMP, SEALED (glow plug)	
1	40614GT	RESISTOR, 5 OHM, 25W***	1
2	824036GT	NUT, TL, 10-32, A, ZAG	
3	824214GT	SCREW, PHPM, 6-32X.5, ZAG	
4	128935GT	CIRCUIT BKR 10A TYPE 2 METAL	1
4B	128935GT	CIRCUIT BKR 10A TYPE 2 METAL Except D436 models	1
5	34052GT	RELAY, SPDT, 12V(AUTO) PLUG IN** Diesel models	6
6	128045GT	MODULE, LOAD SENSE 2007 CE models only	1
6-	54365GT	SCREW, PHIL, PHM, 10-32 X .5, SSTL	
6-	6178GT	NUT, NYLOCK, 10-32	
7	54534GT	ANGLE, RELAY MNT, W/NUTSERTS, PNT	1
7-	23404GT	NUTSERT, 1/4-20, STEEL CAD PLTD	
8	824036GT	NUT, TL, 10-32, A, ZAG	
9	1251757GT	SCREW, PHPM, 10-32X.5, ZAG	
10	7056GT	CONN, SQUEEZE, 1/2NPT .38-.50, SM	1
11	217043GT	ASSY, TERMINAL RAIL	1
11-	217046GT	KIT, TERMINAL BLOCK	
11-	33422GT	DIN RAIL, 17"	1
11-	217044GT	TERMINAL BLOCK, WIELAND	43
11-	217045GT	TERMINAL BLOCK, END PLATE	1
11-	74913GT	END STOP, DIN RAIL, SCREW CLAMP	2
11-	74917GT	JUMPER COMB, 2-WAY, WIELAND	4
11-	74918GT	JUMPER COMB, 3-WAY, WIELAND	1
12	824226GT	SCREW, PHPSH, #12-11X.75, ZAG	
13	73736GT	CONN, RECEP 48 WAY, 4 X 12	1
14	73754GT	CONN, RECEP 40 WAY, W/FLANGE	1
15	73753GT	CONN, RECEP 24 WAY, W/FLANGE	1



305.1 Ground Control Box, with Hour Meter - View 2, Internal

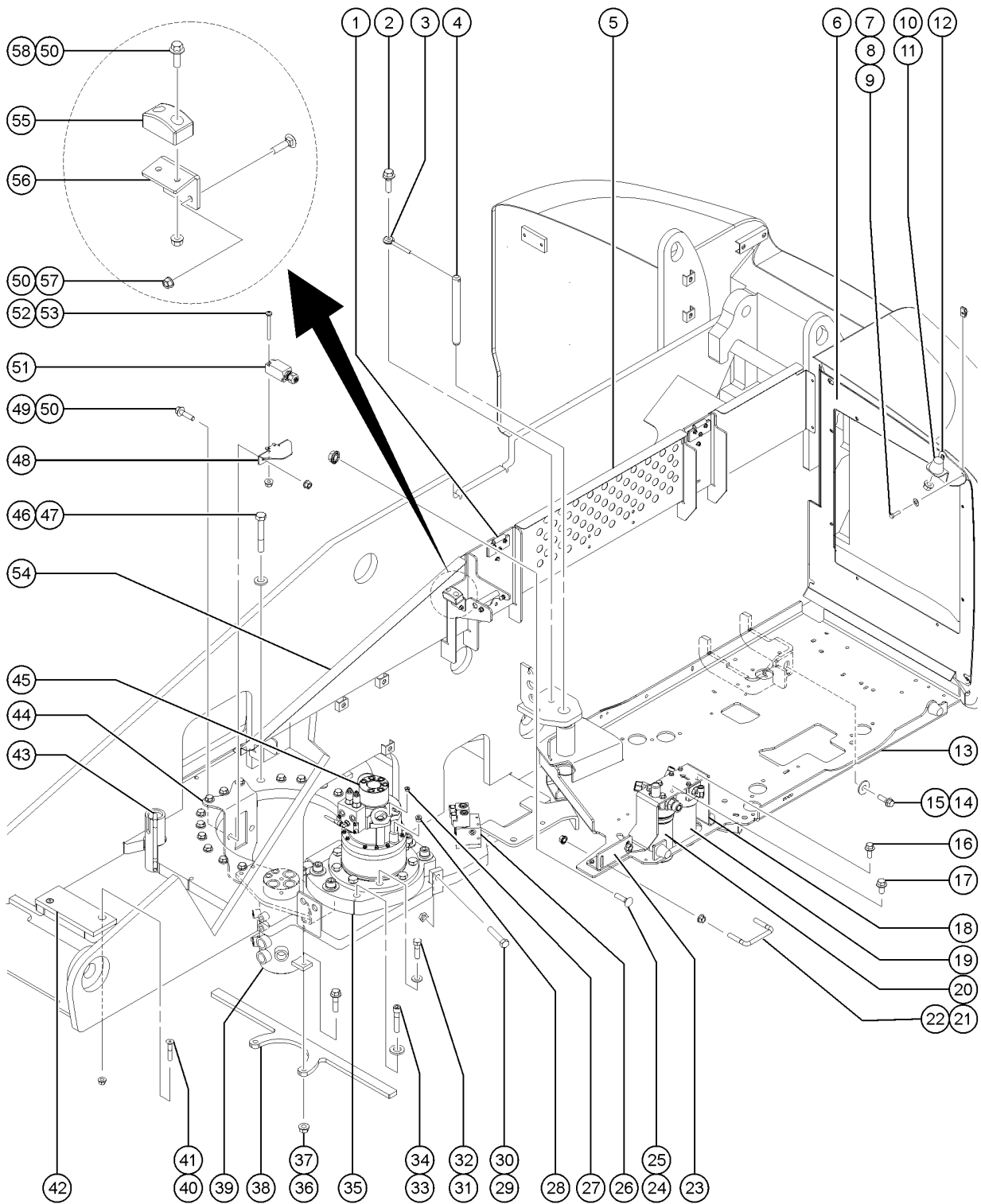


305.1 Ground Control Box, with Hour Meter - View 2, Internal

<i>Item</i>	<i>Part No.</i>	<i>Description</i>	<i>Qty.</i>
16	73717GT	CONN,RECEP 4 WAY,12-14GA FL***	1
17	56057GT	MODULE,IGNITION/START,12/24V	1
18	121599GT	GASKET,GBOX,S80/85 2008	1
19	18666GT	CLAMP,1.00,#16 X 1/4,RUB CUSH	2
20	89575GT	RESISTOR,7.5 OHM,25 WATT,1PCNT	2
21	27287GT	RESISTOR,10 OHM,25 WATT	1



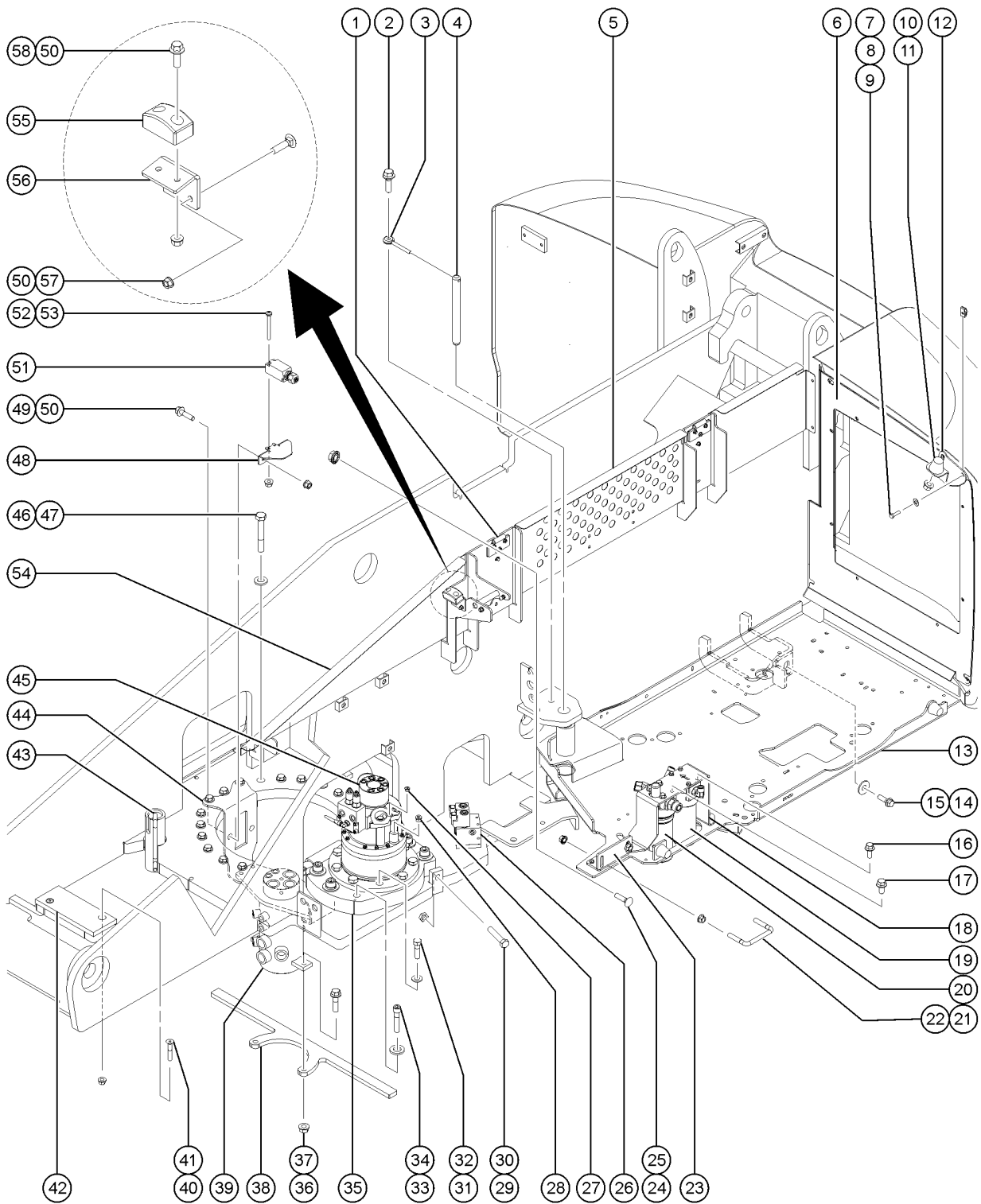
306.1 Engine Side



Item	Part No.	Description	Qty.
1	75073GT	HINGE, .375X.120THK., SLOTTED	2
1-	77778GT	PLATE, HINGE SUPPORT, BLUE PAINT	
2	824091GT	SCREW, HHF, 3/8-16X1.25, 8, ZAG	1
3	825019GT	ROD END, .375X3.69, ZAG	1
4	81724GT	PIN, 1.25 X 13.25 IN, CHAMFER	1
5	T106425GT	FORMING, BULKHEAD, RIGHT, S60/65	1
		US part number	
5B	1253817GT	FORMING, BULKHEAD, ENGINE SIDE	1
		China part number	
6	106172PGT	BAFFLE, AIR INTAKE, PAINTED***	1
		models with Deutz D2011L03i and Perkins 404D-22 engines	
6B	110183PGT	BAFFLE, AIR INTAKE S60 PAINTED	
		models with Deutz TD2011L04i engines	
7	6175GT	SCREW, HHC, 3/8-16 X 1	2
8	6097GT	WASHER, FLAT, USS, 3/8", Y	2
9	29868GT	SPRING CLIP, 3/8-16, .05-.20X.73, ZAG	2
10	1261277GT	RUBBER BUMPER, 1.25 X 1.25 IN	1
11	18503GT	NUT, LOCKING - LG FLANGE 5/16 - 18	1
12	1259002GT	FORMING, TS COVER BUMPER	1
13	1261568GT	ASSEMBLY, S60 ENGINE TRAY	1
13-	1289117GT	ASSY, ENGINE TRAY	1
		(include 1253827, 35675)	
13-	1253827GT	WELDMENT, ENGINE TRAY	1
13-	35675GT	BEARING, FL, 1.25IDX1.5ODX1.25L	
14	1256126GT	SCREW, HHF, 5/8-11X2, 8, ZAG	1
15	824115GT	WASHER, FLAT, 5/8, USS, ZAG	1
16	1256855	WASHER FLAT BONDED RUB	4
17	824089GT	SCREW, HHF, 3/8-16X.75, 8, ZAG	4
18	161603GT	FORMING, FILTER BRKT	1
19		FILTER ASY, M PRESS, SAE8, WOIND*(77139)	1
		component no longer available	
19A-	60857GT	FILTER, ELEMENT, BETA(5)=1000	
		for 1267807	
19B	1267807GT	ASSY, MED. PRESS. FILTER, SAE8	
19B-	1268229GT	ELEMENT-5 MIC, PAPER, W/ BYPASS	
		for 1267807	



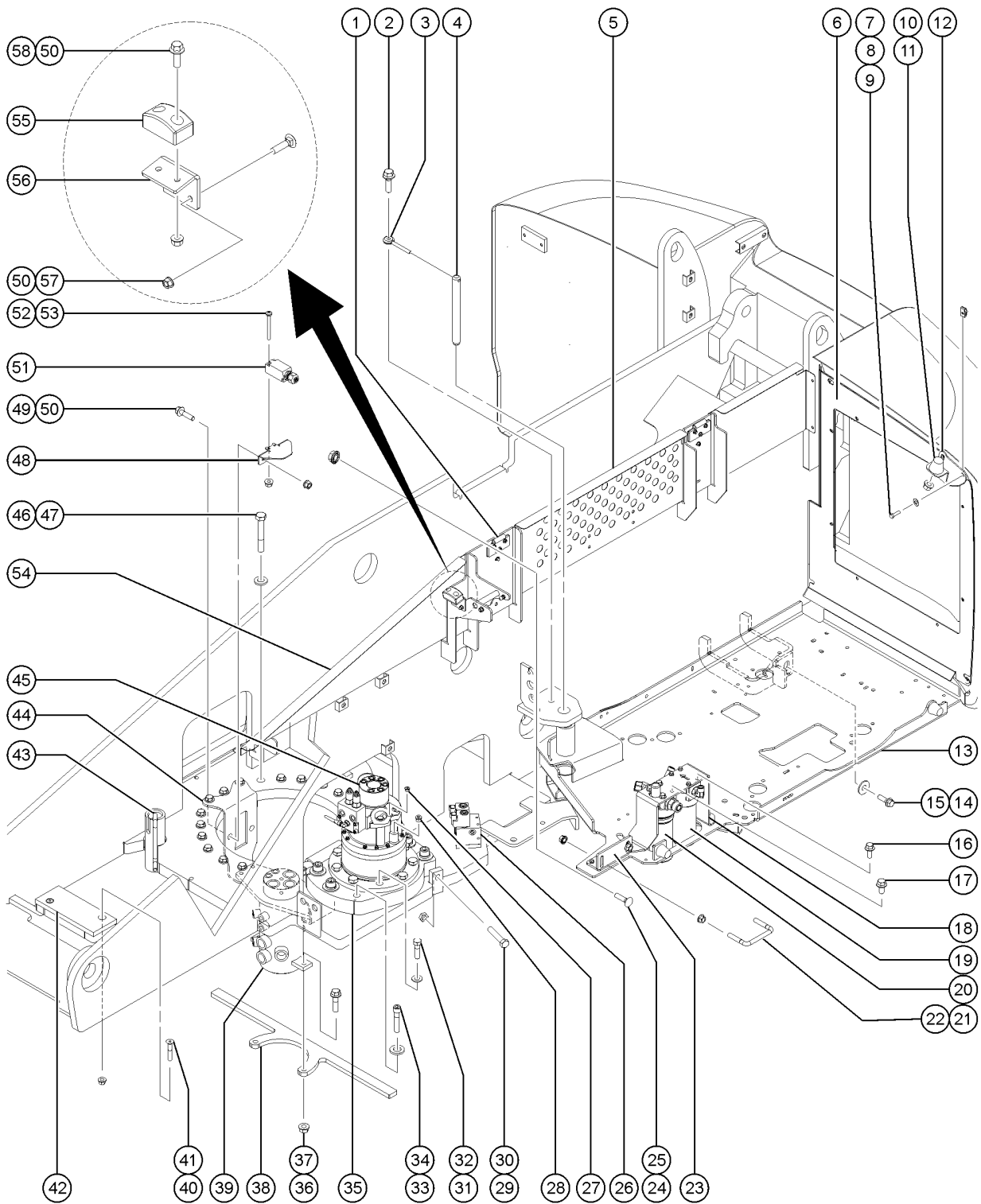
306.1 Engine Side



Item	Part No.	Description	Qty.
20	60334GT	FILTER ASSY,HIGH PRESS SAE-12*	1
20-	1279465GT	BACKUP RING,71.60X67.20X1.40PTFE(60334)	
20-	1279466GT	O-RING,67.95X2.62-NBR-70SH(HF2P)(60334)	
20-	58380GT	FILTER INDICATOR-(60334)	
20-	60857GT	FILTER,ELEMENT,BETA(5)=1000	
19	824090GT	SCREW,HHF,3/8-16X1,8,ZAG	2
20	824029GT	NUT,TL FLG,3/8-16,G,ZAG	4
21	1259855GT	UBOLT, 0.4724 IN D X 4.0 IN L	1
22	1261724GT	NUT,SERRATED,1/2-13,8,ZAG	4
23	1260174GT	FORMING, ENGINE TRAY LATCH	1
24	1256127GT	BOLT,CARRIAGE,1/4-20X1",GR 5,ZAG	6
25	1256679GT	NUT,SERRATED,1/4-20,8,ZAG	6
26		Ref: Brake and 2 Speed Manifold	1
		(refer to 406.1)	
27	39882GT	PLUG,HEX SOCKET,090109B-4	1
28	109802GT	PLUG,ORB #6	1
29	1256846GT	SCREW,HEX TAP,3/4-10X4,8,ZAG	1
30	1256837GT	NUT,JAM,3/4-10,A, ZAG	1
31	1256168GT	SCREW,HHC,1/2-13X1.75,8,ZAG	9
32	825353GT	WASHER,FLAT,1/2,SAE,HRD,ZAG	9
33	1257223GT	SCREW,SHC,3/4-10X3.75,A574,ZAG	6
34	1256863GT	WASHER,FLAT,.75,F436,HRD,ZAG	6
35	77671GT	PLATE,BACKLASH ADJUSTMENT MACH	1
36	1251997GT	NUT,TL FLG,1/2-13,G,ZAG	2
37	1256172GT	SCREW,HHF,1/2-13X 2,8,ZAG	2
38	77803GT	PLATE,SWIVEL ROTATION STOP	1
38B	1270151GT	HYDRAULIC SWIVEL SUPPORT	1
39	89571GT	SWIVEL,HYD 8 PORT***	1
39-	94937GT	SEAL KIT,8-PORT SWIVEL	



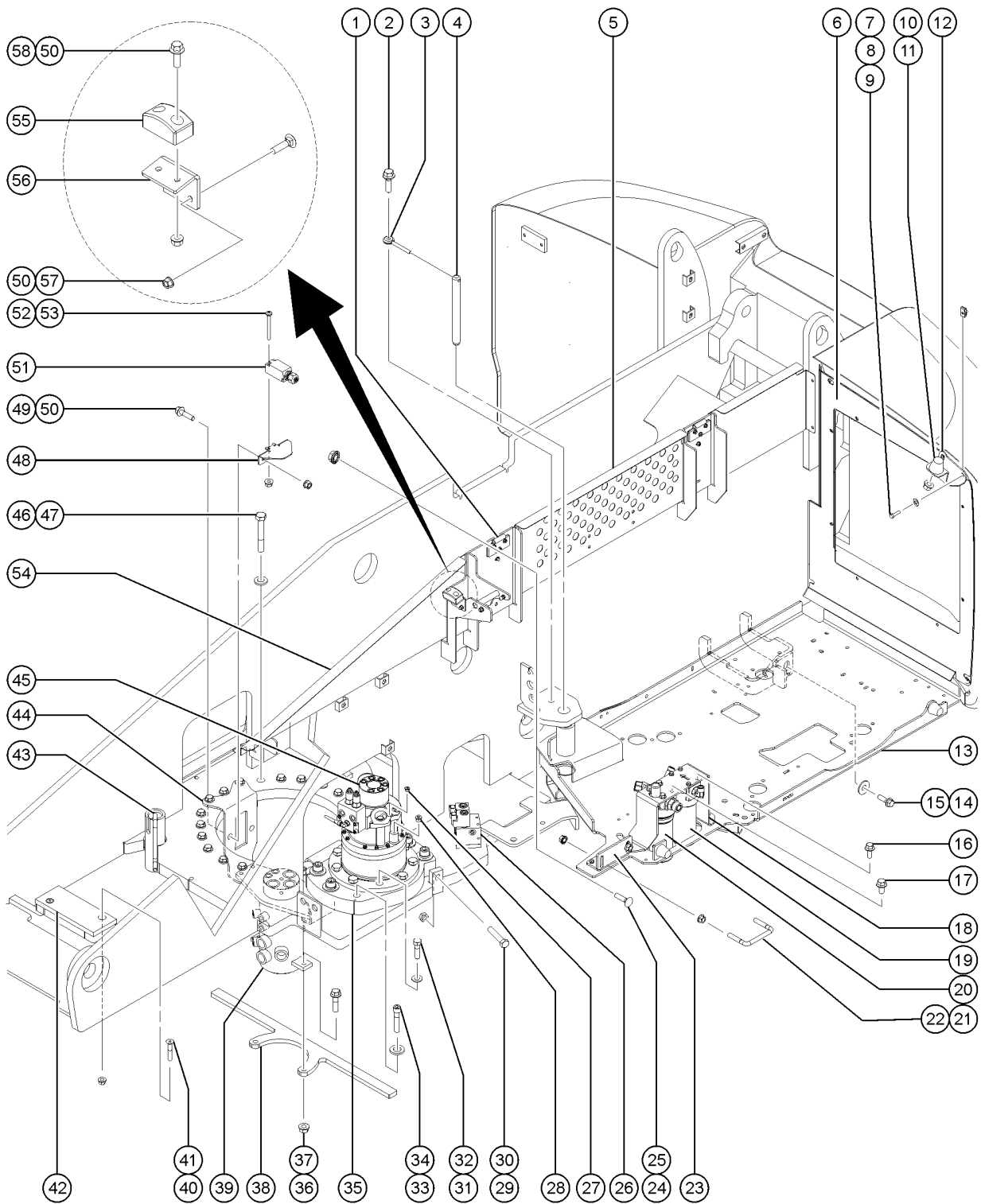
306.1 Engine Side



Item	Part No.	Description	Qty.
39-	T106954GT	SEAL, O-RING LIP	
39-	T106955GT	SEAL, POLY, CHAMFER	
39-	T106957GT	SEAL, CAP, NOTCHED	
39-	T106961GT	SEAL, O-RING ENERGIZER	
39-	T106962GT	SEAL, CAP, NOTCHED	
40	1256842GT	SCREW,FHS,3/8-16X2.25,F835,ZAG	2
41	824029GT	NUT,TL FLG,3/8-16,G,ZAG	2
42	161607GT	WEAPAD, BOOM REST	1
43	81834GT	WELDMENT,TRANSPORT LOCK	1
44	1255720GT	FORMING,HYD SWIVEL BRACKET	2
45	1255768GT	SWING DRIVE ASSEMBLY	1
45-	139308GT	SWING MOTOR COMPLETE***	
45-	139309GT	CBV ASSEMBLY***	
45-	1255773GT	BRAKE TUBING	
45-	1255770GT	KIT, FRICTION DISC	
45-	1255771GT	KIT, BRAKE SPRING	
45-	1255769GT	SEAL KIT, SWING BRAKE	
45-	1255772GT	KIT, SWING BRAKE REBUILD	
45-	139315GT	O-RING,MOTOR/BRAKE***	
45-	139323GT	VALVE,COUNTERBAL,CBCA-LIN***	
45-	58304GT	SHAFT,OUTPUT	
45-	75627GT	BEARING,1.25 X 1.5 X 2	
45-	94620GT	SEAL KIT,SWING TORQ HUB***	
46	1256170GT	NUT,SERRATED,8-32,ZAG	24
47	1256182GT	WASHER,FLAT,5/8,F436,HRD,ZAG	24
48	1255722GT	FORMING,DRIVE ENABLE LIMIT SW	1
49	824079GT	SCREW,HHF,1/4-20X1,8,ZAG	2
50	824027GT	NUT,TL FLG,1/4-20,G,ZAG	6



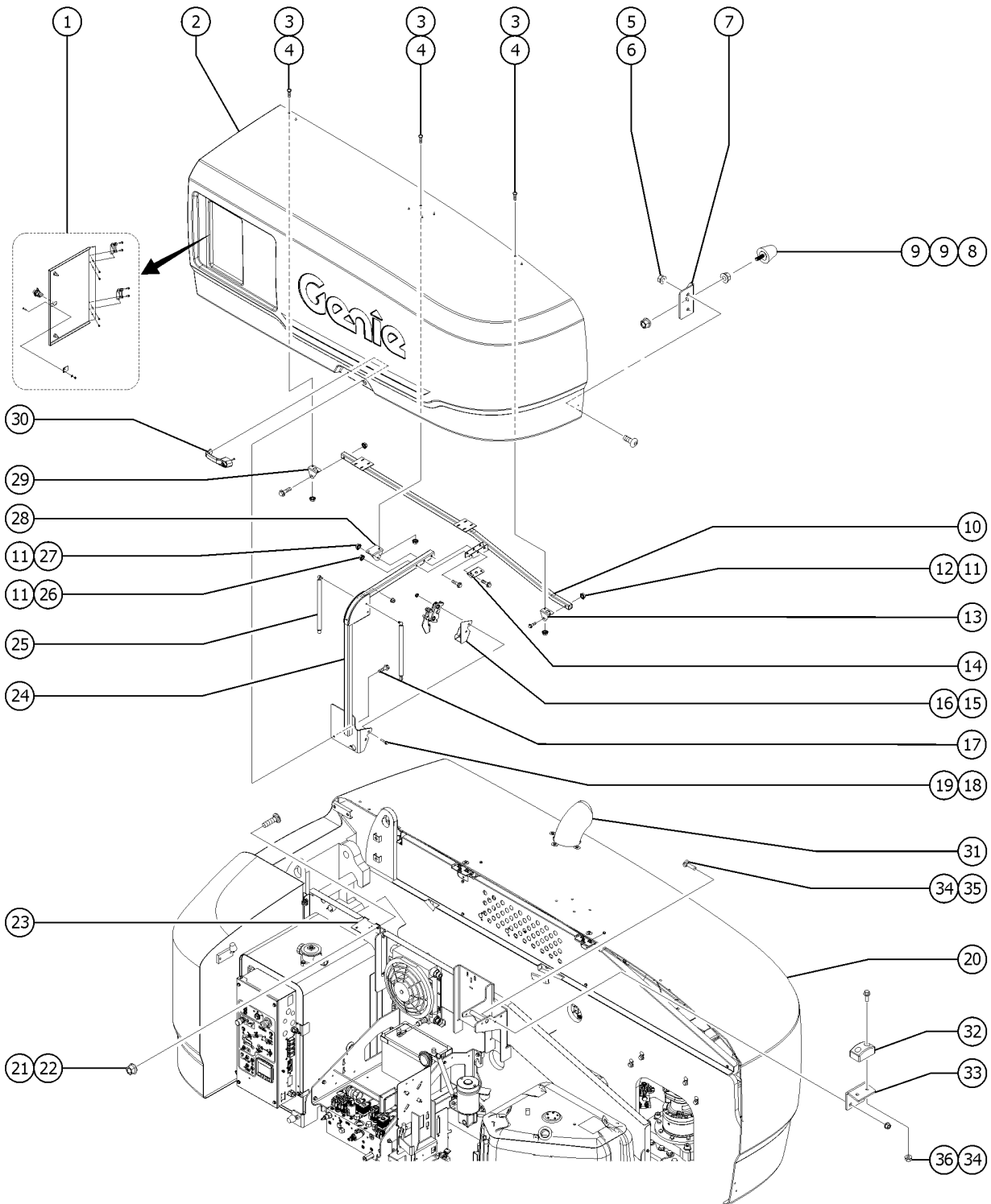
306.1 Engine Side



<i>Item</i>	<i>Part No.</i>	<i>Description</i>	<i>Qty.</i>
51	88356-13103GT	SWITCH,LIMIT,W/RLLR ARM,NO/NC	1
52	1256177GT	SCREW,PHPM,10-32X1.75,ZAG	2
53	824032GT	NUT,TL FLG,10-32,F,ZAG	2
54	1273345GT	FORMING, BULKHEAD, S60 ES REAR	1
55	1261266GT	BUMPER, COVER SUPPORT	1
56	1260163GT	FORMING, ES COVER CONTACT	1
57	1256127GT	BOLT,CARRIAGE,1/4-20X1",GR 5,ZAG	2
58	824078GT	SCREW,HHF,1/4-20X.75,8,ZAG	2

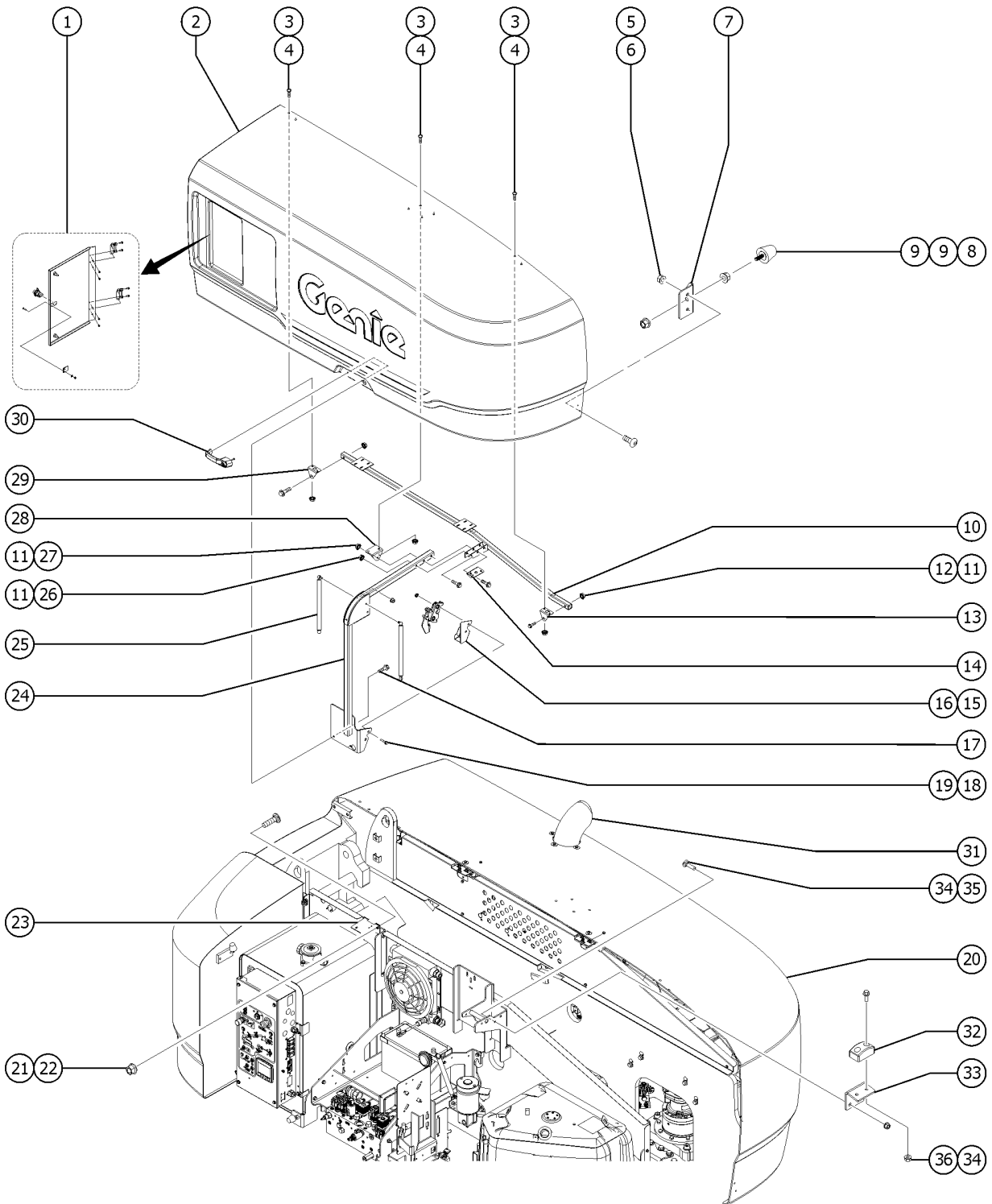


307.1 Turntable Covers



Item	Part No.	Description	Qty.
1		Ref. COVER, GROUND CONTROLS, HOSTILE ENVIRONMENT (refer to 908.1)	
2	1253270GT	ASSY, TS SWING CHASSIS COVER complete (decals not included, refer to section 100)	
2-	1253265GT	COVER, SWING CHASSIS, TS (decals not included, refer to section 100)	1
3	1261836GT	SCREW, THM, TORX, 3/8-16X1, SS	16
4	1257628GT	NUT, SERRATED, 3/8-16, ZAG	16
5	231513GT	NUT, TL FLG, M6-1.0, DIN6927, 10, Z	4
6	1261837GT	SCREW, THM, TORX, M6X25, ZAB	4
7	1254625GT	BRACKET, BUMPER	2
8	1261277GT	RUBBER BUMPER, 1.25 X 1.25 IN	2
9	1255805GT	NUT, SERRATED, 5/16-18, 8, ZAG	4
10	1256767GT	WLDMT, TS UPPER COVER SUPPORT tank side	1
10B	1256771GT	WLDMT, ES UPPER COVER SUPPORT engine side	1
11	824029GT	NUT, TL FLG, 3/8-16, G, ZAG	10
12	1253478GT	SCREW, HHF, 3/8-16X2, 8, ZAG	4
13	1258722GT	MOUNT, COVER SUPPORT REAR	2
14	1274827GT	MOUNT, COVER SUPPORT CTR 86DEG	2
15	1261244GT	FORMING, LATCH GUARD, TS tank side	
15B	1261245GT	FORMING, LATCH GUARD, ES engine side	
16	215254GT	LATCH, ROTARY, ENGINE COVER	
17	231532GT	SCREW, HHF, M6X20, DIN6921, 10.9, Y	4
18	1255763GT	SCREW, HHF, 5/16-18X1.5, 8, ZAG	
19	824028GT	NUT, TL FLG, 5/16-18, G, ZAG	
20	1253271GT	ASSY ES SWING CHASSIS COVER complete (decals not included, refer to section 100)	1
20-	1253264GT	COVER, SWING CHASSIS, ES (decals not included, refer to section 100)	1
21	1256679GT	NUT, SERRATED, 1/4-20, 8, ZAG	12
22	1256127GT	BOLT, CARRIAGE, 1/4-20X1", GR 5, ZAG	12
23	75073GT	HINGE, .375X.120THK., SLOTTED	4
23B	1258724GT	SUPPORT, TAPPED HINGE	4

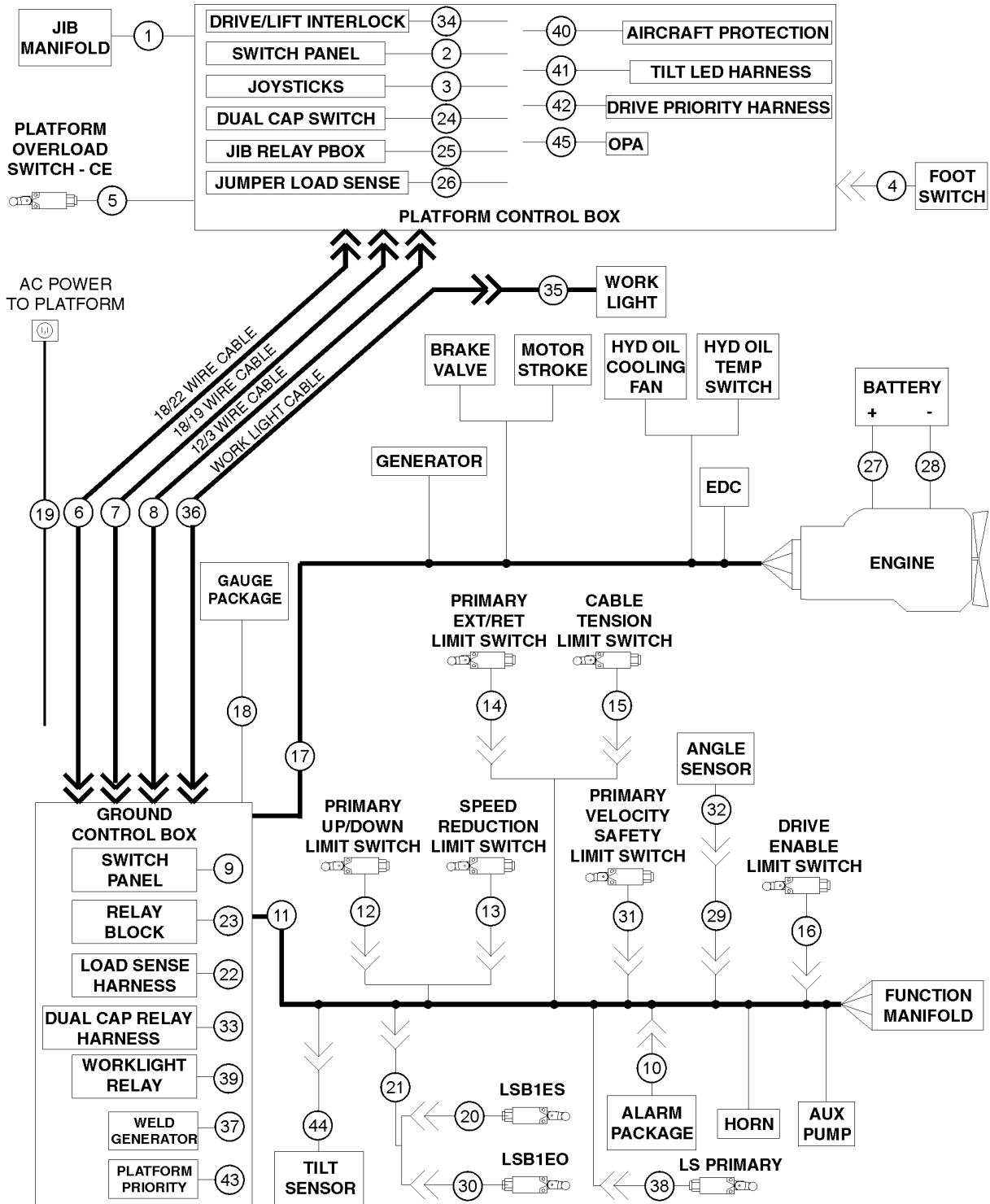
307.1 Turntable Covers



Item	Part No.	Description	Qty.
24	1255986GT	WLDMT, TS LOWER COVER SUPPORT tank side	1
24B	1255987GT	WLDMT, ES LOWER COVER SUPPORT engine side	1
25	28301GT	GAS STRUT,250 LBS FORCE***	4
25A-	72256GT	GAS STRUT,CONNECTOR (28301)	
25B	33555GT	BALL STUD**	
25C	27377GT	RETAINER,GAS SPRING***	
26	1256693GT	SCREW,HHF,3/8-16X2.25,8,ZAG	4
27	1256856GT	SCREW,HHF,3/8-16X2.5,8,ZAG	2
28	1274826GT	MOUNT,COVER SUPPORT,CTR 93 DEG	2
29	1258723GT	MOUNT, COVER SUPPORT FRONT	2
30	1256054GT	HANDLE,YELLOW LOCKING,CODE 455 key not included	2
30-	37947GT	KEYS,10 PACK*** sold separately	
30-	83093GT	KEY SINGLE*** sold separately	
31	101964GT	WELDMENT,EXHAUST TUBE	1
32	1261266GT	BUMPER, COVER SUPPORT	1
33	1260162GT	FORMING, TS COVER CONTACT	1
34	824027GT	NUT,TL FLG,1/4-20,G,ZAG	4
35	1256127GT	BOLT,CARRIAGE,1/4-20X1",GR 5,ZAG	2
36	824078GT	SCREW,HHF,1/4-20X.75,8,ZAG	2



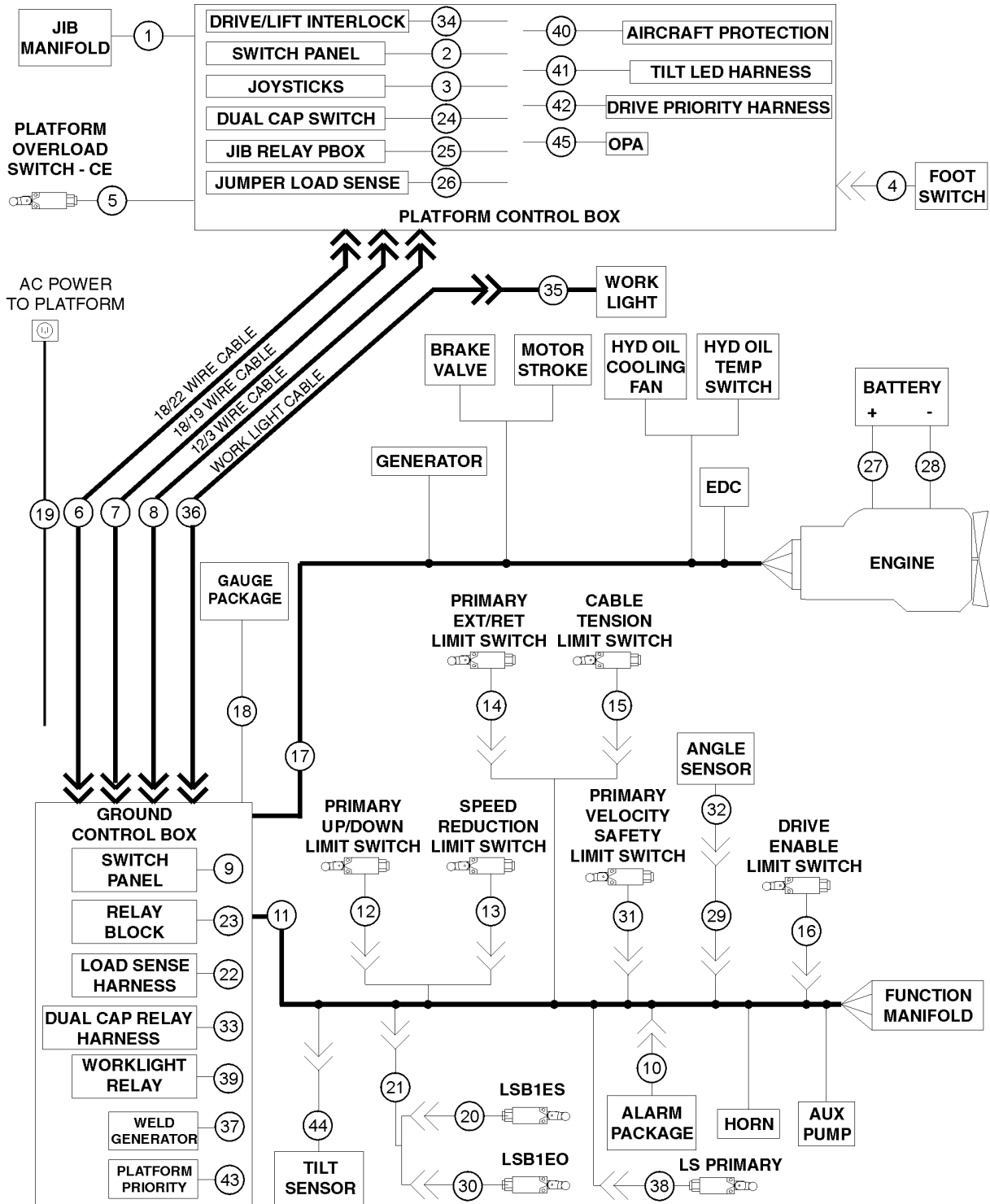
308.1 Wire Harness Diagram, S-60



Item	Part No.	Description	Qty.
A	58253GT	KIT,REPAIR,DEUTSCH PLUG,W/TUBE small kit	
B	83129GT	KIT,REPAIR,DEUTSH CONNECTORS** large kit	
C	61794GT	CRIMPER,DEUTSCH,LIGHT DUTY*** tool	
D	101191GT	WIRE LOOM,1"DIA.SLIT,HI TEMP	
E	49219GT	SLEEVE,NYLON,2.19 ID,BULK near platform; 48 inches required	48
F	1264822GT	KIT, TRC RETROFIT, STNDRD	
		Telematics (includes 1264834)	
F-	1264834GT	INSTRN, TRC RETROFIT, STNDRD	
2	1279881GT	HARNESS,PBOX,SINGLE CAP,COMMON	1
2-	119058GT	CONN PLUG 4 WAY ENDCAP DT for 1260105	1
2-	119061GT	CONN PLUG 12 WAY ENDCAP DT GY for 1260105	1
2-	147621GT	CONN,MOLEX 10 WAY for 1260105	1
2-	229152GT	CONN,MOLEX 12 WAY for 1260105	1
3	147643GT	HARN,PBOX,JOYSTICK,S60/65	1
3-	81546GT	CONN, PLUG 16 WAY, MOLEX	
3-	99343GT	CONNECTOR,PLUG 6 WAY 18-20 GA	
3-	99344GT	LOCK,PLUG 6 WAY 18-20GA use with 99344	
4		Ref: Foot Switch Assembly (refer to 701.1)	
5	121848GT	ASSY,LS,LOAD SENSE,38.5 IN	1
6	139738GT	HARNESS, 18/22, CABLE NJ S-60 (green/brown)	1
6A-	119063GT	CONN PLUG 12 WAY ENDCAP DT GR	
6A-	119064GT	CONN PLUG 12 WAY ENDCAP DT BR	
7	823918GT	HARNESS,18/22,CABLE2 NJ S-60	1
7A-	119061GT	CONN PLUG 12 WAY ENDCAP DT GY	
7A-	119062GT	CONN PLUG 12 WAY ENDCAP DT BK	
8	139734GT	HARNESS, 12/3 12V TO PLAT NJ S-60	1
9	1261294GT	HARNESS ASSY,GBOX models with Deutz D2011L03i, Deutz TD2011I04i and Perkins 404D-22	1
10	128005GT	HARNESS,BEACON OPTION	1
11	147650GT	HARN,FUNCT MANIFOLD,S60/65	1



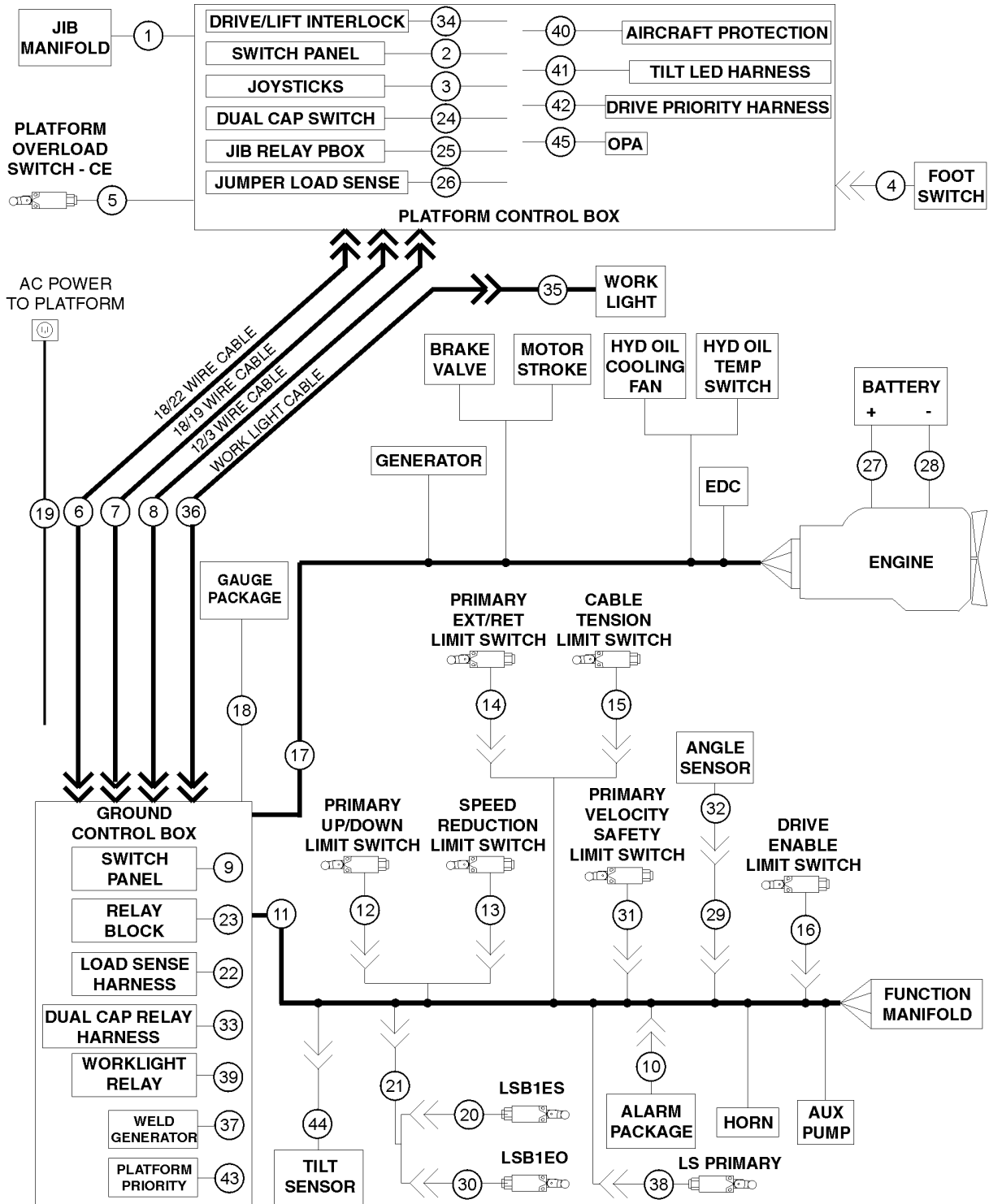
308.1 Wire Harness Diagram, S-60



Item	Part No.	Description	Qty.
11-	73751GT	CONN,PLUG 40 WAY,DRC SERIES	
12	139832GT	HARNESS, LS, OP, PRI ANGLE	1
13	139835GT	HARNESS, LS, OP, PRI, VELOCITY	1
14	139836GT	HARNESS, LS, OP, PRIMARY	1
15	139833GT	HARNESS, LS, OP, CABLE TENSION	1
16	139834GT	HARNESS,LS,DRIVE ENABLE	1
17	88810GT	HARNESS,DEUTZ ENGINE	1
		Deutz D2011L03i engine	
17B	122053GT	HARNESS,S60 TURBO DEUTZ SPEC	1
		Deutz TD2011L04i engine	
17C	110268GT	HARNESS PERKINS ENGINE S60 ALT	1
		Perkins 404D-22 engine	
17D	822048GT	HARNESS, S60 DEUTZ D2.9	1
		Deutz D2.9L4 engine	
17E	1278202GT	HARNESS, DEUTZ ENGINE CN3, S60	1
		Deutz TD 2.9L CHINA □ engine	
18	107552GT	HARNESS,GAUGE OPT.,S60 DEUTZ	1
		Deutz models	
18B	T108415GT	HARNESS,ENGINE GAUGE	1
		Perkins models	
19	139732GT	HARNESS, AC POWER TO PLAT NJ	1
		S-60	
19	228322GT	ASSY,CABLE,12.5KW WELDER	1
		(S-60 Welder option)	
20	T108321GT	HARN,LS SAFETY,PRI.DUAL CAP	1
21	147654GT	HARN,LS CABLE,S60 DUAL CAP	1
		S-60X and S-60 TraX	
22	139741GT	HARNESS, LOAD SENSE, GBOX	1
22A-	119061GT	CONN PLUG 12 WAY ENDCAP DT GY	
22A-	60432GT	CONN,PLUG 8 WAY,14-18GA	
22B	147255GT	HARNESS, JUMPER, LOAD SENSE	1
		not shown	
23	1255457GT	HARN,GBOX & RELAY WIRES,DIESEL	1
		models with Deutz D2011L03i, Deutz TD2011I04i and Perkins 404D-22	
24	T108886GT	HARN,PBOX,DUAL CAP	1
24-	147621GT	CONN,MOLEX 10 WAY	
25	1261295GT	HARNESS ASSY,PCON,JIB	
26	1261296GT	HARNESS ASSY,PCON,LOAD SENSE	
26-	121847GT	RELAY,TIME DELAY,2 SEC,30A	
26-	121843GT	RESISTOR,4.7K OHM,25 WATT	



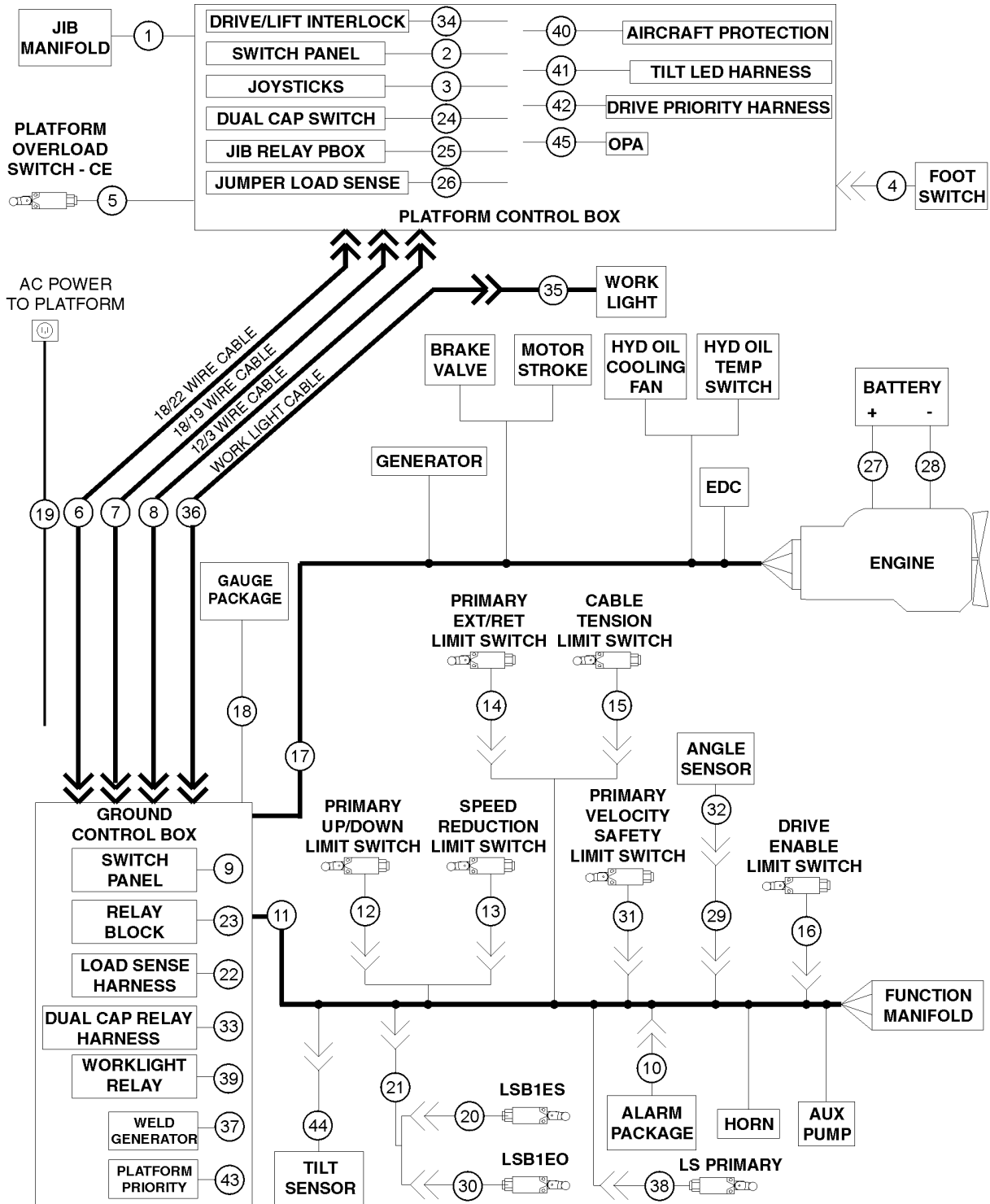
308.1 Wire Harness Diagram, S-60



<i>Item</i>	<i>Part No.</i>	<i>Description</i>	<i>Qty.</i>
27	88801GT	BATTERY CABLE, POSITIVE, RED models with Deutz D2011L03i, Deutz TD2011I04i and Perkins 404D-22	1
28	88802GT	BATTERY CABLE, NEGATIVE, BLACK	1
29	T106600GT	HARN, ANGLE, SNSR. CONN. CABLE	1
30	T108322GT	HARN, LS OP PRI. DUAL CAP	1
31	T106741GT	HARN, LS, SAFETY, PRI, VELOCITY	1
32	94980GT	SENSOR, DUAL OUTPUT, ANGLE***	1
33	T107130GT	HARNESS, GBOX, DUAL CAP RELAY models with Deutz D2011L03i, Deutz TD2011I04i, and Perkins 404D-22	1
34	T108416GT	HARNESS, DRIVE/LIFT INTERLOCK	1
35	T114627GT	HARNESS, 12V WORK LIGHTS	1
36	T114625GT	CABLE, S60 12VDC WORK LIGHT S-60	1
37	147396GT	HARNESS, GENERATOR POWER	1
38	T106741GT	HARN, LS, SAFETY, PRI, VELOCITY	1
39	T114624GT	HARN, 12V WORK LIGHT RELAY	1
40	1261292GT	HARNESS ASSY, PCON, PROX KILL	1
41	1261297GT	HARNESS ASSY, PCON, TILT LED	1
42	1261293GT	HARNESS ASSY, PCON, DRIVE PRTY	1
43	1261298GT	HARNESS ASSY, GCON, PLAT PRTY	1
44	1261844GT	HARNESS, TILT 12V, CSA ANSI/CSA only	1
45	1255555GT	HARN, PBOX, OPA, HW, 12V	1
45B	1255030GT	PLUG, BLANKING	1



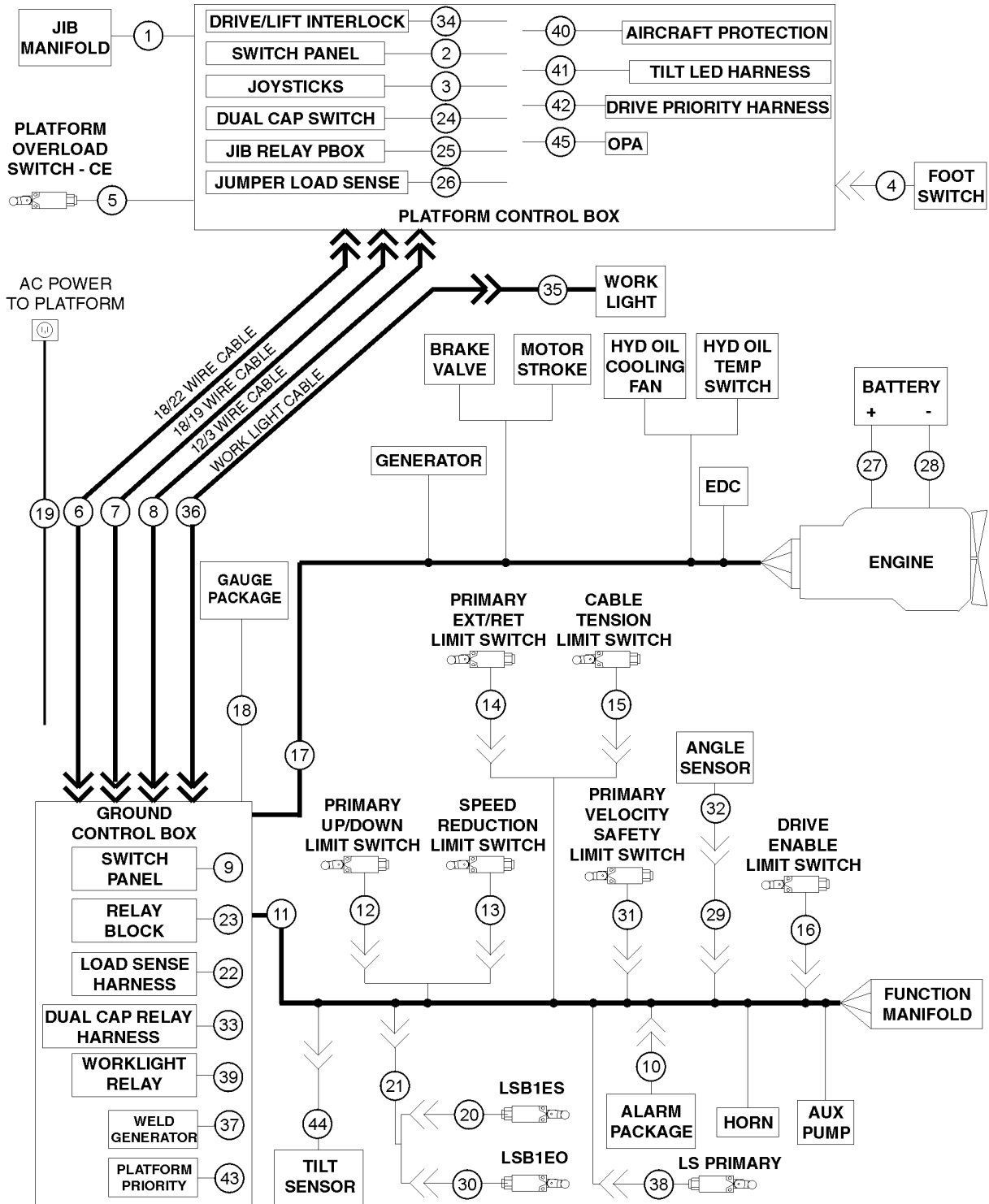
308.2 Wire Harness Diagram, S-65



Item	Part No.	Description	Qty.
A	58253GT	KIT,REPAIR,DEUTSCH PLUG,W/TUBE small kit	
B	83129GT	KIT,REPAIR,DEUTSH CONNECTORS** large kit	
C	61794GT	CRIMPER,DEUTSCH,LIGHT DUTY*** tool	
D	101191GT	WIRE LOOM,1"DIA.SLIT,HI TEMP	
E	49219GT	SLEEVE,NYLON,2.19 ID,BULK near platform; 48 inches required	48
F	1264822GT	KIT, TRC RETROFIT, STNDRD	
		Telematics (includes 1264834)	
F-	1264834GT	INSTRN, TRC RETROFIT, STNDRD	
1	101080GT	HARNESS,JIB SELECT MANIFOLD S-65	1
1-	7056GT	CONN,SQUEEZE,1/2NPT .38-.50,SM	
2	1279881GT	HARNESS,PBOX,SINGLE CAP,COMMON	1
2-	119058GT	CONN PLUG 4 WAY ENDCAP DT for 1260105	1
2-	119061GT	CONN PLUG 12 WAY ENDCAP DT GY for 1260105	1
2-	147621GT	CONN,MOLEX 10 WAY	1
		for 1260105	
2-	229152GT	CONN,MOLEX 12 WAY	1
		for 1260105	
3	147643GT	HARN,PBOX,JOYSTICK,S60/65	1
3-	81546GT	CONN, PLUG 16 WAY, MOLEX	
3-	99343GT	CONNECTOR,PLUG 6 WAY 18-20 GA	
3-	99344GT	LOCK,PLUG 6 WAY 18-20GA use with 99344	
4		Ref: Foot Switch Assembly (refer to 701.1)	
5	121848GT	ASSY,LS,LOAD SENSE,38.5 IN	1
6B	139737GT	HARNESS, 18/22, CABLE JIB S-65 (Green, Brown plugs)	1
6B-	119063GT	CONN PLUG 12 WAY ENDCAP DT GR	
6B-	119064GT	CONN PLUG 12 WAY ENDCAP DT BR	
7B	823917GT	HARNESS,18/22,CABLE2 JIB S-65 (Grey, Black plugs)	1
7B-	119061GT	CONN PLUG 12 WAY ENDCAP DT GY	
7B-	119062GT	CONN PLUG 12 WAY ENDCAP DT BK	
8B	139733GT	HARNESS, 12/3 12V TO PLAT JIB S-65	1
9	1261294GT	HARNESS ASSY,GBOX models with Deutz D2011L03i, Deutz TD2011I04i and Perkins 404D-22	1



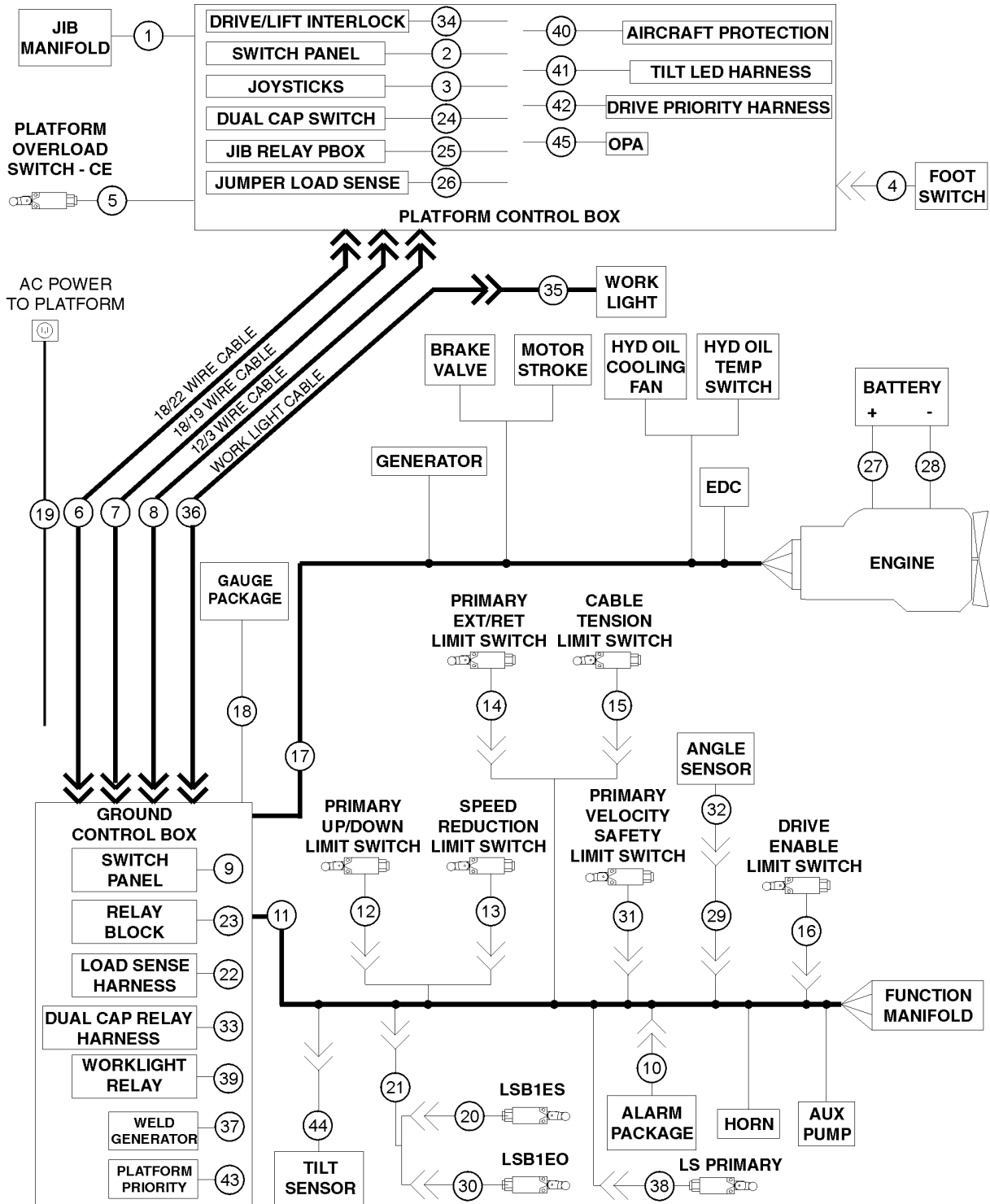
308.2 Wire Harness Diagram, S-65



Item	Part No.	Description	Qty.
10	128005GT	HARNESS, BEACON OPTION	1
11	147650GT	HARN, FUNCT MANIFOLD, S60/65	1
11-	73751GT	CONN, PLUG 40 WAY, DRC SERIES	
12	139832GT	HARNESS, LS, OP, PRI ANGLE	1
13	139835GT	HARNESS, LS, OP, PRI, VELOCITY	1
14	139836GT	HARNESS, LS, OP, PRIMARY	1
15	139833GT	HARNESS, LS, OP, CABLE TENSION	1
16	139834GT	HARNESS, LS, DRIVE ENABLE	1
17	88810GT	HARNESS, DEUTZ ENGINE Deutz D2011L03i engine	1
17B	122053GT	HARNESS, S60 TURBO DEUTZ SPEC Deutz TD2011L04i engine	1
17C	110268GT	HARNESS PERKINS ENGINE S60 ALT Perkins 404D-22 engine	1
17D	822048GT	HARNESS, S60 DEUTZ D2.9 Deutz D2.9L4 engine	1
17E	1278202GT	HARNESS, DEUTZ ENGINE CN3, S60 Deutz TD 2.9L CHINA □ engine	1
18	107552GT	HARNESS, GAUGE OPT., S60 DEUTZ Deutz models	1
18B	T108415GT	HARNESS, ENGINE GAUGE Perkins models	1
19B	139731GT	HARNESS, AC POWER TO PLAT JIB S-65	1
19B-	228323GT	ASSY, CABLE, 12.5KW WELDER (S-65 Welder option)	10 08
20	T108321GT	HARN, LS SAFETY, PRI. DUAL CAP	1
21	147654GT	HARN, LS CABLE, S60 DUAL CAP S-60X and S-60 TraX	1
22	139741GT	HARNESS, LOAD SENSE, GBOX	1
22A-	119061GT	CONN PLUG 12 WAY ENDCAP DT GY	
22A-	60432GT	CONN, PLUG 8 WAY, 14-18GA	
22B	147255GT	HARNESS, JUMPER, LOAD SENSE	1
23	1255457GT	HARN, GBOX & RELAY WIRES, DIESEL models with Deutz D2011L03i, Deutz TD2011I04i and Perkins 404D-22	1
24	T108886GT	HARN, PBOX, DUAL CAP	1
24-	147621GT	CONN, MOLEX 10 WAY	
25	1261295GT	HARNESS ASSY, PCON, JIB	
26	1261296GT	HARNESS ASSY, PCON, LOAD SENSE	



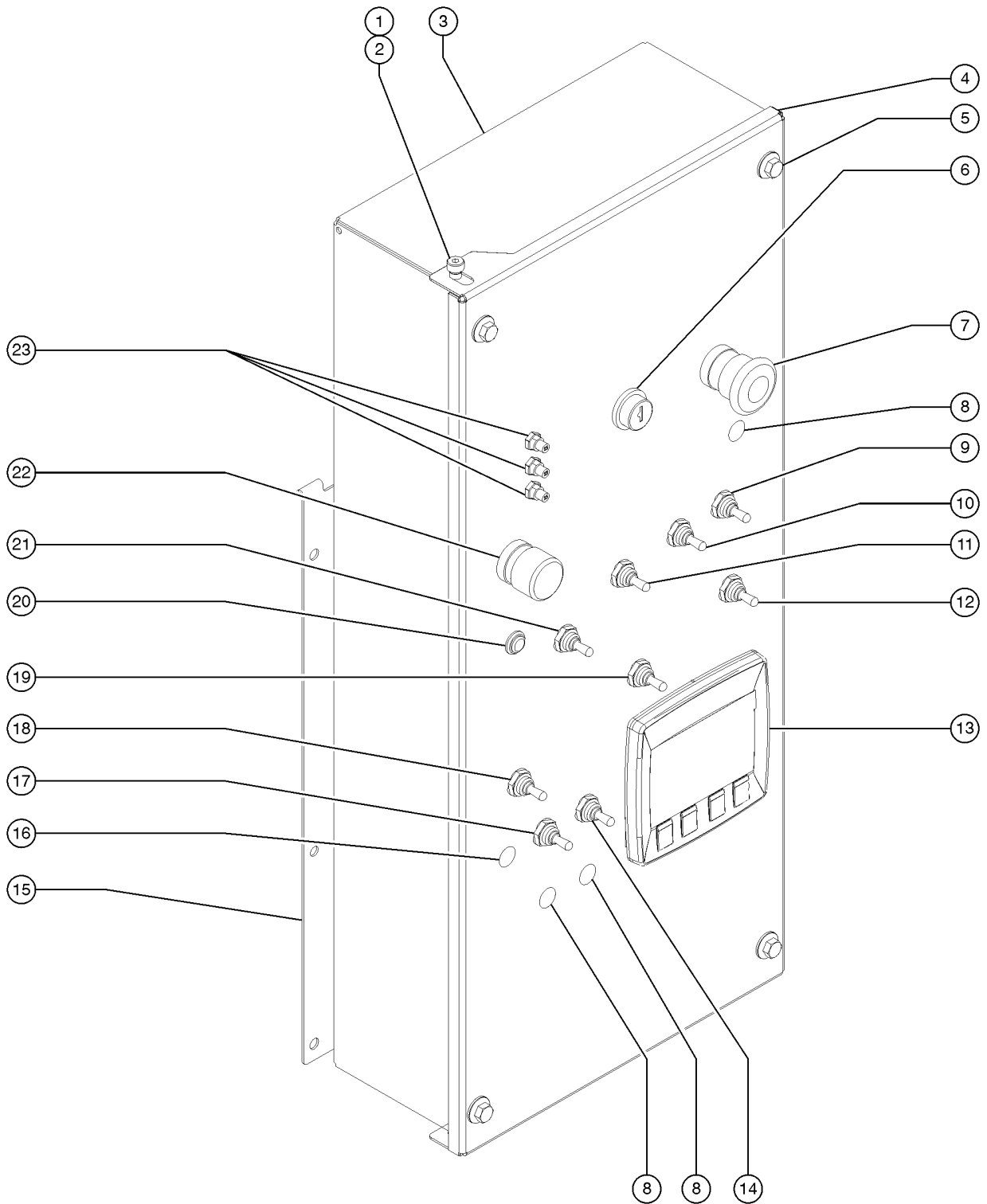
308.2 Wire Harness Diagram, S-65



Item	Part No.	Description	Qty.
26-	121843GT	RESISTOR,4.7K OHM,25 WATT	
27	88801GT	BATTERY CABLE,POSITIVE,RED models with Deutz D2011L03i, Deutz TD2011I04i and Perkins 404D-22	1
28	88802GT	BATTERY CABLE,NEGATIVE,BLACK	1
29	T106600GT	HARN,ANGLE,SNSR.CONN. CABLE	1
30	T108322GT	HARN, LS OP PRI.DUAL CAP	1
31	T106741GT	HARN,LS,SAFETY,PRI,VELOCITY	1
32	94980GT	SENSOR,DUAL OUTPUT,ANGLE***	1
33	T107130GT	HARNESS,GBOX,DUAL CAP RELAY models with Deutz D2011L03i, Deutz TD2011I04i and Perkins 404D-22	1
34	T108416GT	HARNESS,DRIVE/LIFT INTERLOCK	1
35	T114627GT	HARNESS,12V WORK LIGHTS	1
36B	T114626GT	CABLE,S65 12VDC WORK LIGHT S-65	1
37	147396GT	HARNESS,GENERATOR POWER	1
38	T106741GT	HARN,LS,SAFETY,PRI,VELOCITY	1
39	T114624GT	HARN,12V WORK LIGHT RELAY	1
40	1261292GT	HARNESS ASSY,PCON,PROX KILL	1
41	1261297GT	HARNESS ASSY,PCON,TILT LED	1
42	1261293GT	HARNESS ASSY,PCON,DRIVE PRTY	1
43	1261298GT	HARNESS ASSY,GCON,PLAT PRTY	
44	1261844GT	HARNESS, TILT 12V, CSA ANSI/CSA only	1
45	1255555GT	HARN,PBOX,OPA,HW,12V	1
45B	1255030GT	PLUG,BLANKING	1



309.1 Ground Control Box, with LCD Readout Screen - View 1 External, S-60

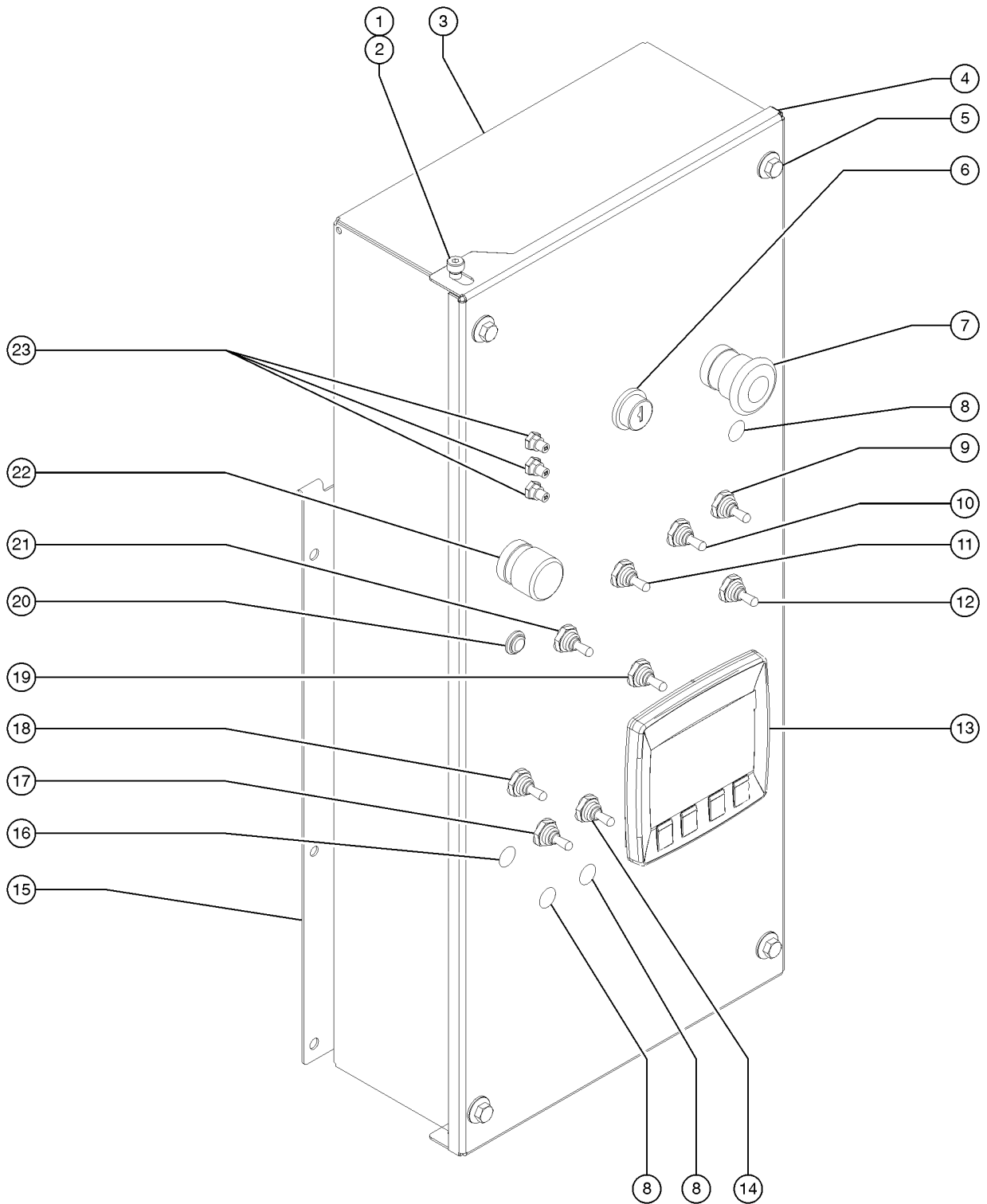


309.1 Ground Control Box, with LCD Readout Screen - View 1 External, S-60

Item	Part No.	Description	Qty.
A	825446GT	GBOX ASSY,PERKINS T4,SGL CAP (models with Perkins, single capacity) decals not included refer to section 100	1
B	825447GT	GBOX ASSY,PERKINS T4,DUAL CAP (models with Perkins, dual capacity) decals not included refer to section 100	1
C	825448GT	GBOX ASSY,DEUTZ T4,SGL CAP (models with Deutz single capacity) decals not included refer to section 100	1
D	825449GT	GBOX ASSY,DEUTZ T4,DUAL CAP (models with Deutz dual capacity) decals not included refer to section 100	1
E	825445GT	GBOX ASSY,COMMON,T4	1
1	1257410GT	WASHER,SHOULDER,NYLON	2
2	T107520GT	BOLT,SHS,5/16X.375X1/4-20,ZAG	2
3	147840GT	WELDMENT, GROUND BOX, S60/65	1
4	219722GT	WELDMENT,LID,GBOX (does not include decal) (refer to section one for decals)	1
5	1256855	WASHER FLAT BONDED RUB	4
6	96008-SGT	KEYSWITCH,3 POS. W/KEYS***	1
6-	37947GT	KEYS,10 PACK*** sold separately	
6-	83093GT	KEY SINGLE***	
7	66812GT	BUTTON,PUSH,RED MUSHROOM HEAD (58627 nut included)	1
7-	58627GT	NUT	1
8	229567GT	PLUG,SANTOPRENE .5 BLACK DOME (S-60, S-65, S-60X, S-60XC, S-60TX, S-65TX models)	1
8B	824879GT	LIGHT,LED IND. RED 12V NH (S-60HC model)	
9	128200GT	SWITCH TOGGLE ASSY SPDT 3P MOM (Platform level)	1
9-	128578GT	SCREW T-SWITCH PH/PH 6-32X1/4	
9-	128584-SGT	SWITCH TOGGLE SPDT 2P MNT SHDR	
9-	27246GT	BOOT,TOGGLE SWITCH,SHORT*	
10	229567GT	PLUG,SANTOPRENE .5 BLACK DOME (all S-60 models)	2
10B	128200GT	SWITCH TOGGLE ASSY SPDT 3P MOM (Jib up/down) (all S-65 models)	2
10B-	128578GT	SCREW T-SWITCH PH/PH 6-32X1/4	
10B-	128584-SGT	SWITCH TOGGLE SPDT 2P MNT SHDR	
10B-	27246GT	BOOT,TOGGLE SWITCH,SHORT*	
11	128202GT	SWITCH TOGGLE ASSY DPDT 3P MOM (Boom extend/retract)	1
11-	128578GT	SCREW T-SWITCH PH/PH 6-32X1/4	



309.1 Ground Control Box, with LCD Readout Screen - View 1 External, S-60

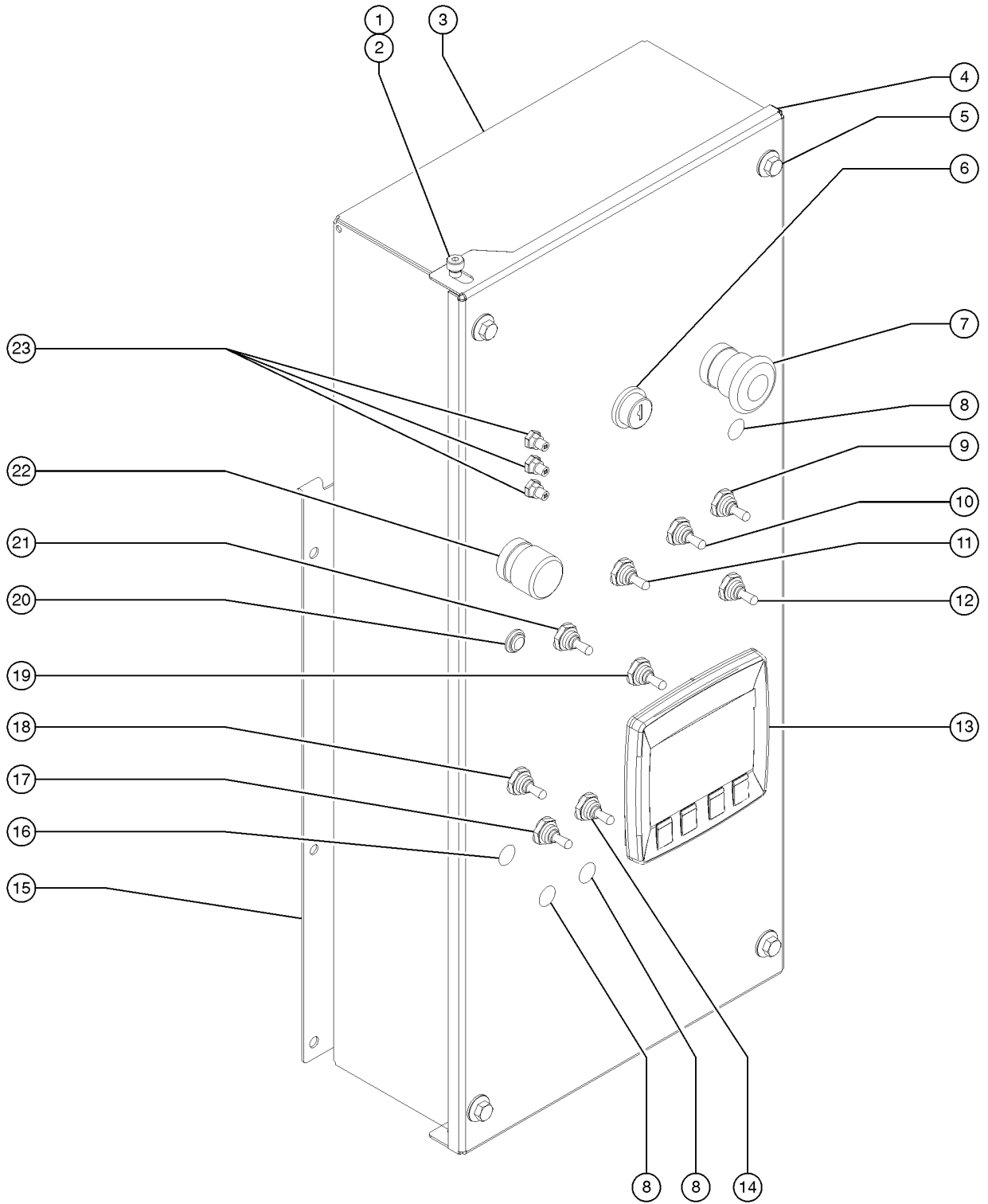


309.1 Ground Control Box, with LCD Readout Screen - View 1 External, S-60

Item	Part No.	Description	Qty.
11-	128584-SGT	SWITCH TOGGLE SPDT 2P MNT SHDR	
11-	27246GT	BOOT,TOGGLE SWITCH,SHORT*	
12	128202GT	SWITCH TOGGLE ASSY DPDT 3P MOM (Platform rotate)	1
12-	128578GT	SCREW T-SWITCH PH/PH 6-32X1/4	
12-	128584-SGT	SWITCH TOGGLE SPDT 2P MNT SHDR	
12-	27246GT	BOOT,TOGGLE SWITCH,SHORT*	
13	1251984GT	ASSY,DISPLAY,DP200 DEUTZ T4 (Deutz models)	1
13A-	219718GT	BRACKET,DP200 PANEL MOUNT	
13A-	1252684GT	SCREW,DP200 M3X10 4PACK	
13A-	1252685GT	GASKET,DP200 BLACK PANEL SEAL	
13B	1251985GT	ASSY,DISPLAY,DP200 PERKINS T4 (Perkins models)	
13B-	219718GT	BRACKET,DP200 PANEL MOUNT	
13B-	1252684GT	SCREW,DP200 M3X10 4PACK	
13B-	1252685GT	GASKET,DP200 BLACK PANEL SEAL	
14	128200GT	SWITCH TOGGLE ASSY SPDT 3P MOM (Starter)	1
14-	128578GT	SCREW T-SWITCH PH/PH 6-32X1/4	
14-	128584-SGT	SWITCH TOGGLE SPDT 2P MNT SHDR	
14-	27246GT	BOOT,TOGGLE SWITCH,SHORT*	
15	77667GT	MOUNT,GROUND CONTROL BOX RH	1
15A-	55912GT	PIN, STEER BELLCRANK CLEVIS	
15A-	6090GT	SCREW,HHC,1/4-20 X .75	
15A-	6356GT	WASHER,LOCK,.25	
15B	77641GT	MOUNT,GROUND CONTROL BOX LH	1
15B-	55912GT	PIN, STEER BELLCRANK CLEVIS	
15B-	6090GT	SCREW,HHC,1/4-20 X .75	
15B-	6356GT	WASHER,LOCK,.25	
16	21858GT	PLUG,NYLON .38 BLACK DOMED (ANSI models)	1
16B	824879GT	LIGHT,LED IND. RED 12V NH (Load sense) (Australia and CE models)	



309.1 Ground Control Box, with LCD Readout Screen - View 1 External, S-60

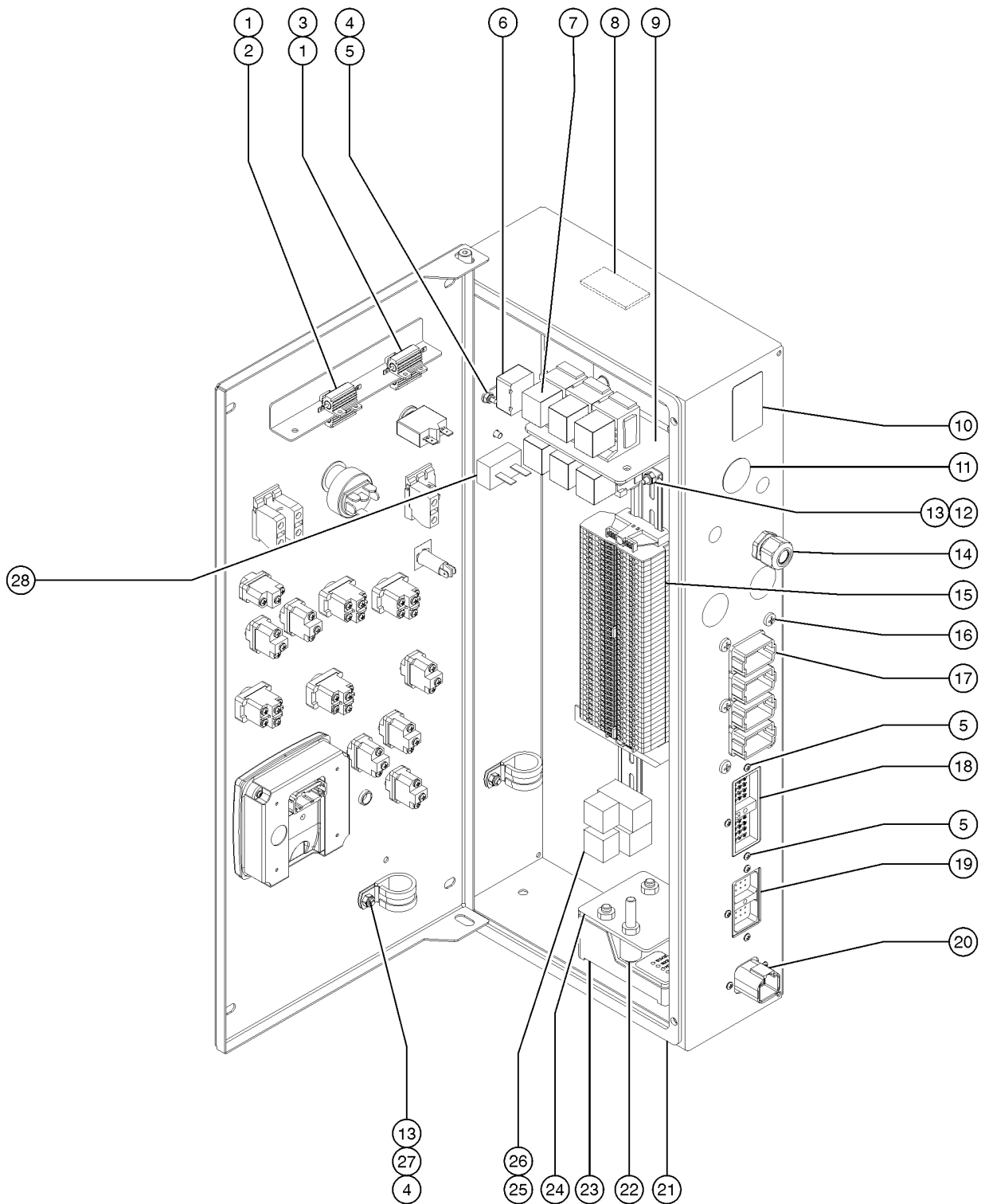


309.1 Ground Control Box, with LCD Readout Screen - View 1 External, S-60

Item	Part No.	Description	Qty.
17	128204GT	SWITCH TOGGLE ASSY SPDT 2P MNT (Engine speed select)	1
17-	128578GT	SCREW T-SWITCH PH/PH 6-32X1/4	
17-	128584-SGT	SWITCH TOGGLE SPDT 2P MNT SHDR	
17-	27246GT	BOOT,TOGGLE SWITCH,SHORT*	
18	128201GT	SWITCH TOGGLE ASSY DPDT 2P MOM (Emergency Power)	1
18-	128578GT	SCREW T-SWITCH PH/PH 6-32X1/4	
18-	128584-SGT	SWITCH TOGGLE SPDT 2P MNT SHDR	
18-	27246GT	BOOT,TOGGLE SWITCH,SHORT*	
19	128202GT	SWITCH TOGGLE ASSY DPDT 3P MOM (Turntable rotate)	1
19-	128578GT	SCREW T-SWITCH PH/PH 6-32X1/4	
19-	128584-SGT	SWITCH TOGGLE SPDT 2P MNT SHDR	
19-	27246GT	BOOT,TOGGLE SWITCH,SHORT*	
20	21858GT	PLUG,NYLON .38 BLACK DOMED (Diesel models)	1
21	128202GT	SWITCH TOGGLE ASSY DPDT 3P MOM (Boom up/down)	1
21-	128578GT	SCREW T-SWITCH PH/PH 6-32X1/4	
21-	128584-SGT	SWITCH TOGGLE SPDT 2P MNT SHDR	
21-	27246GT	BOOT,TOGGLE SWITCH,SHORT*	
22	80716GT	SWITCH,SELECTOR,BLACK (models with dual capacity)	1
22B	66813GT	BUTTON,PUSH,BLACK W/SEAL *** (models with single capacity)	
23	147094GT	ASSY, CIRCUIT BREAKER 15A	2
23B	147094GT	ASSY, CIRCUIT BREAKER 15A (models with worklight or oil cooler option)	3



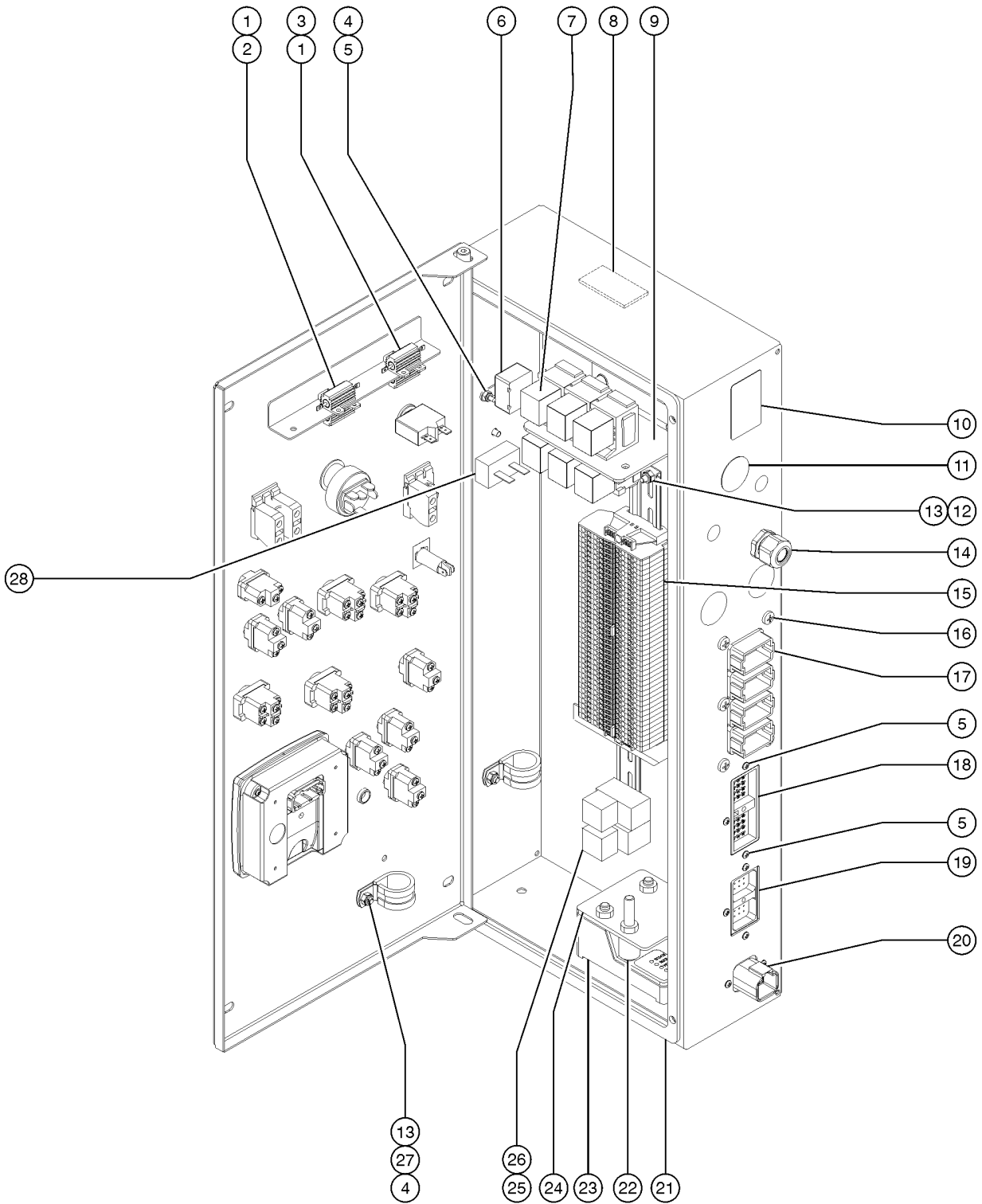
310.1 Ground Control Box, with LCD Readout Screen - View 2 Internal, S-60



310.1 Ground Control Box, with LCD Readout Screen - View 2 Internal, S-60

Item	Part No.	Description	Qty.
-	77430GT	CAPACITOR,3 MF,50VDC Terminal 41	
1	89575GT	RESISTOR,7.5 OHM,25 WATT,1PCNT	2
2	27287GT	RESISTOR,10 OHM,25 WATT	1
3	40614GT	RESISTOR,5 OHM,25W***	1
4	824036GT	NUT,TL,10-32,A,ZAG	
5	825352GT	SCREW,PHPM,10-32X1.25,ZAG	
6	121846GT	RELAY,TIME DELAY,2 SEC,10A	1
7	34052GT	RELAY,SPDT,12V(AUTO) PLUG IN** (Perkins models with dual capacity)	11
7B	34052GT	RELAY,SPDT,12V(AUTO) PLUG IN** (Deutz models with dual capacity)	9
7C	34052GT	RELAY,SPDT,12V(AUTO) PLUG IN** (Perkins or Deutz models with single capacity)	5
8	30997GT	CORROSION INHIBITOR,FOAM	1
9	99632GT	PLATE,PRIMARY BOOM SIDE (models with single capacity)	1
9A-	23404GT	NUTSERT,1/4-20,STEEL CAD PLTD	
9A-	1256855	WASHER FLAT BONDED RUB	
9B	99632GT	PLATE,PRIMARY BOOM SIDE (models with dual capacity)	2
9B-	23404GT	NUTSERT,1/4-20,STEEL CAD PLTD	
9B-	1256855	WASHER FLAT BONDED RUB	
10	110280GT	PLUG,NYLON, .94X1.65 BLK D0MED	1
11	45385GT	PLUG,NYLON 1.12 BLACK DOMED	
12	6178GT	NUT,NYLOCK,10-32 (use to replace nutsert)	
13	1251757GT	SCREW,PHPM,10-32X.5,ZAG	
14	7057GT	CONN. SQZ,1/2NPT .39-.56 MED	1
15	825017GT	ASSY,TERMINAL RAIL,TIER IV	
15-	74918GT	JUMPER COMB, 3-WAY,WIELAND	
15-	74917GT	JUMPER COMB, 2-WAY,WIELAND	
15-	216793GT	TERMINAL BLOCK END PLATE	
15-	216793GT	TERMINAL BLOCK END PLATE	
15-	216791GT	TERMINAL BLOCK,WIELAND	

310.1 Ground Control Box, with LCD Readout Screen - View 2 Internal, S-60

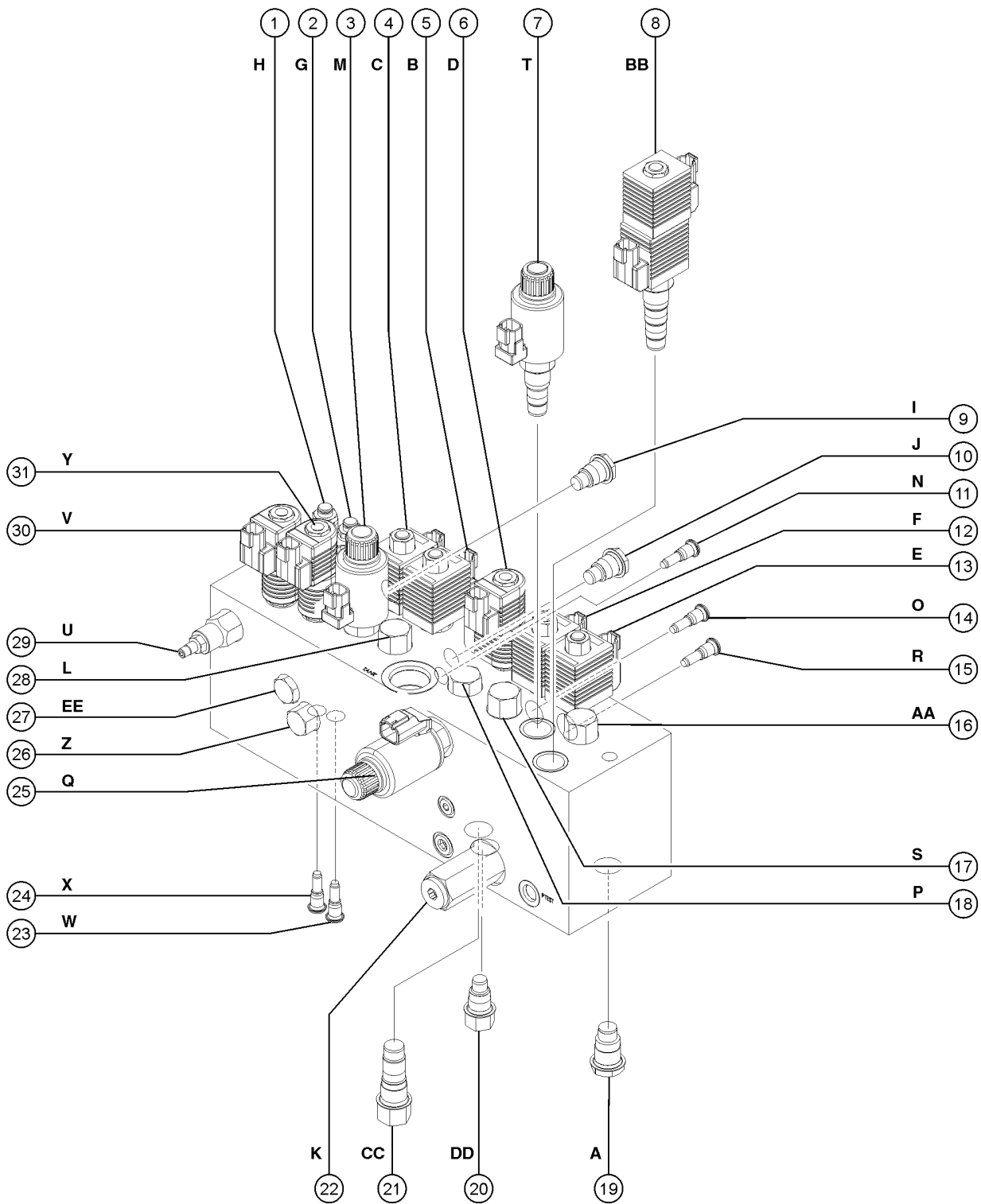


310.1 Ground Control Box, with LCD Readout Screen - View 2 Internal, S-60

Item	Part No.	Description	Qty.
15-	33422GT	DIN RAIL,17"	
16	824214GT	SCREW,PHPM,6-32X.5,ZAG	
17	73736GT	CONN,RECEP 48 WAY,4 X 12	
		for harness, refer to 308.1	
18	73754GT	CONN,RECEP 40 WAY,W/FLANGE	
		for harness, refer to 308.1	
19	73753GT	CONN,RECEP 24 WAY,W/FLANGE	
		for harness, refer to 308.1	
20	73717GT	CONN,RECEP 4 WAY,12-14GA FL***	
		for harness, refer to 308.1	
21	121599GT	GASKET,GBOX,S80/85 2008	
22	102357GT	POTENTIOMETER ASSY, WELDER	
23	106657GT	MODULE,CONTROL,HI AMP	
		(models with welder option)	
24	106140PGT	BRACKET,1K OHM 10-TURN POT,PNT	
		(models with welder option)	
25	33607GT	RELAY,OMRON,DPDT,12V	2
		(models with welder option)	
26	33608GT	RELAY,SOCKET,OMRON	2
		(models with welder option) (harness not included)	
26-	147455GT	HARNESS, OMRON RELAY, CR66	
		(models with welder option) (order separately)	
27	18666GT	CLAMP,1.00,#16 X 1/4,RUB CUSH	2
28	106637GT	MODULE,TIME DELAY ON BREAK 4S	1
		(models with welder option)	



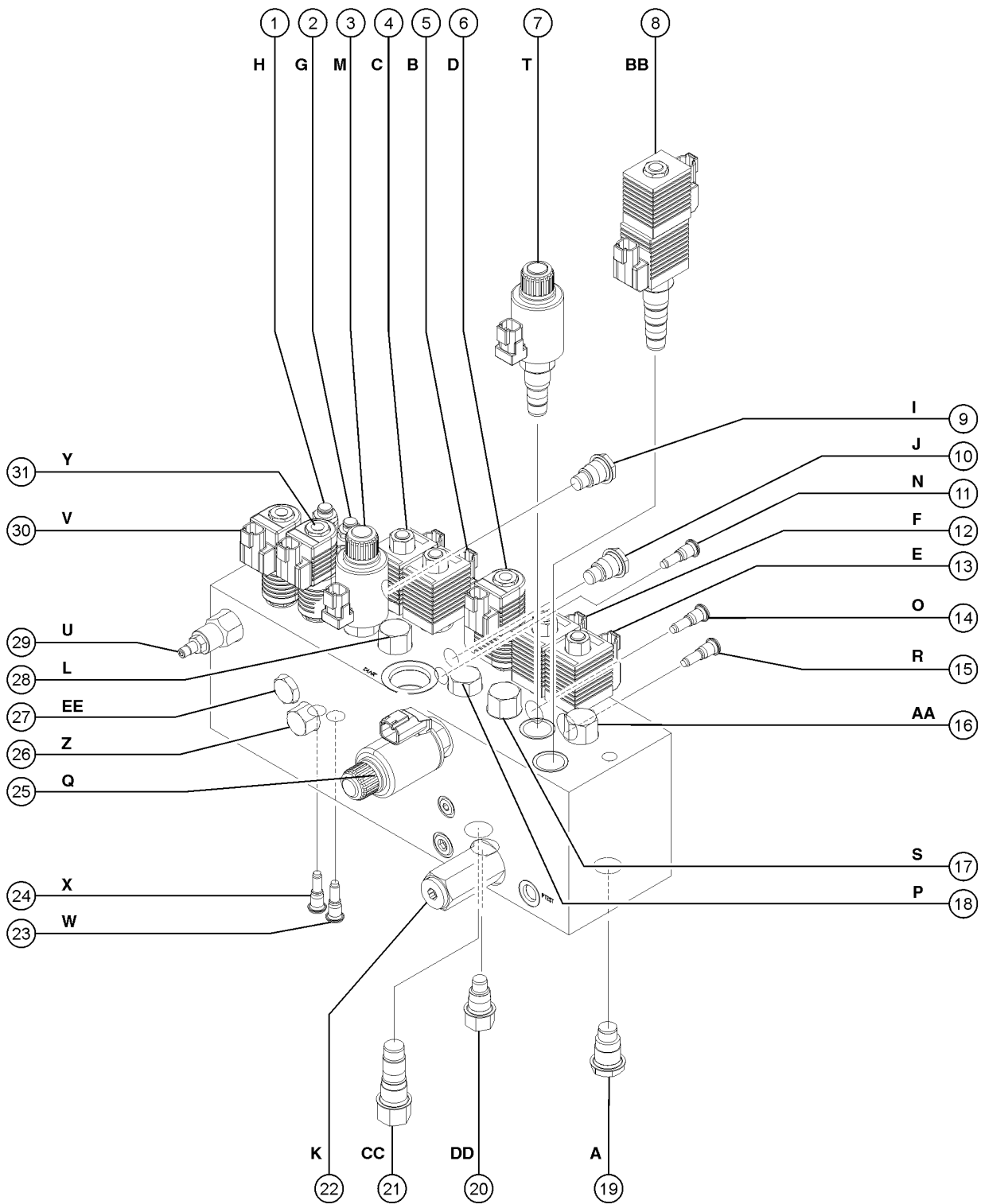
401.1 Function Manifold, S-60



Item	Part No.	Description	Qty.
A-	161141GT	MANIFOLD,FUNCTION	
B-	94499GT	ACCUMULATOR,10CC,1000PSI,#6SAE	
1	62256GT	VALVE,CB 3:1 3500 PSI	1
		Platform level down	
1-	110202GT	SEAL KIT, VALVE, #10	
2	62256GT	VALVE,CB 3:1 3500 PSI	1
		Platform level up	
2-	110202GT	SEAL KIT, VALVE, #10	
3	107753GT	VALVE,PROPORTIONAL	1
		Boom extend/retract	
3-	89310GT	SEAL KIT, SOLENOID VALVE	
3-	58303GT	COIL,VALVE,PROPORTIONAL ***	
3-	45921GT	RETAINER-N.C.PROPOR.SOLENOID	
4	89309GT	VALVE - SOLENOID 2POSITION 3WA	1
		Boom retract	
4-	45912GT	NUT,SOLENOID VALVE 2P3W	
4-	62275GT	COIL,10V	
4-	89310GT	SEAL KIT, SOLENOID VALVE	
5	89309GT	VALVE - SOLENOID 2POSITION 3WA	1
		Boom extend	
5-	45912GT	NUT,SOLENOID VALVE 2P3W	
5-	62275GT	COIL,10V	
5-	89310GT	SEAL KIT, SOLENOID VALVE	
6	89307GT	VALVE,SOLENOID 3POS 4WAY*	1
		Turntable rotate	
6-	52943GT	NUT SOLENOID VALVE COIL	
6-	62273GT	COIL,GREEN W/ 2 PIN CONNECTOR*	
6-	72047GT	SEAL KIT, SOLENOID VALVE	
6-	89311GT	SPACER, DUAL COIL SIZE #8	
7	107753GT	VALVE,PROPORTIONAL	
		Boom up/down circuit	
7-	89310GT	SEAL KIT, SOLENOID VALVE	
7-	58303GT	COIL,VALVE,PROPORTIONAL ***	
7-	45921GT	RETAINER-N.C.PROPOR.SOLENOID	
8	62260GT	VALVE,SOLENOID 3 POS,4WAY***	1
		Steer left/right	



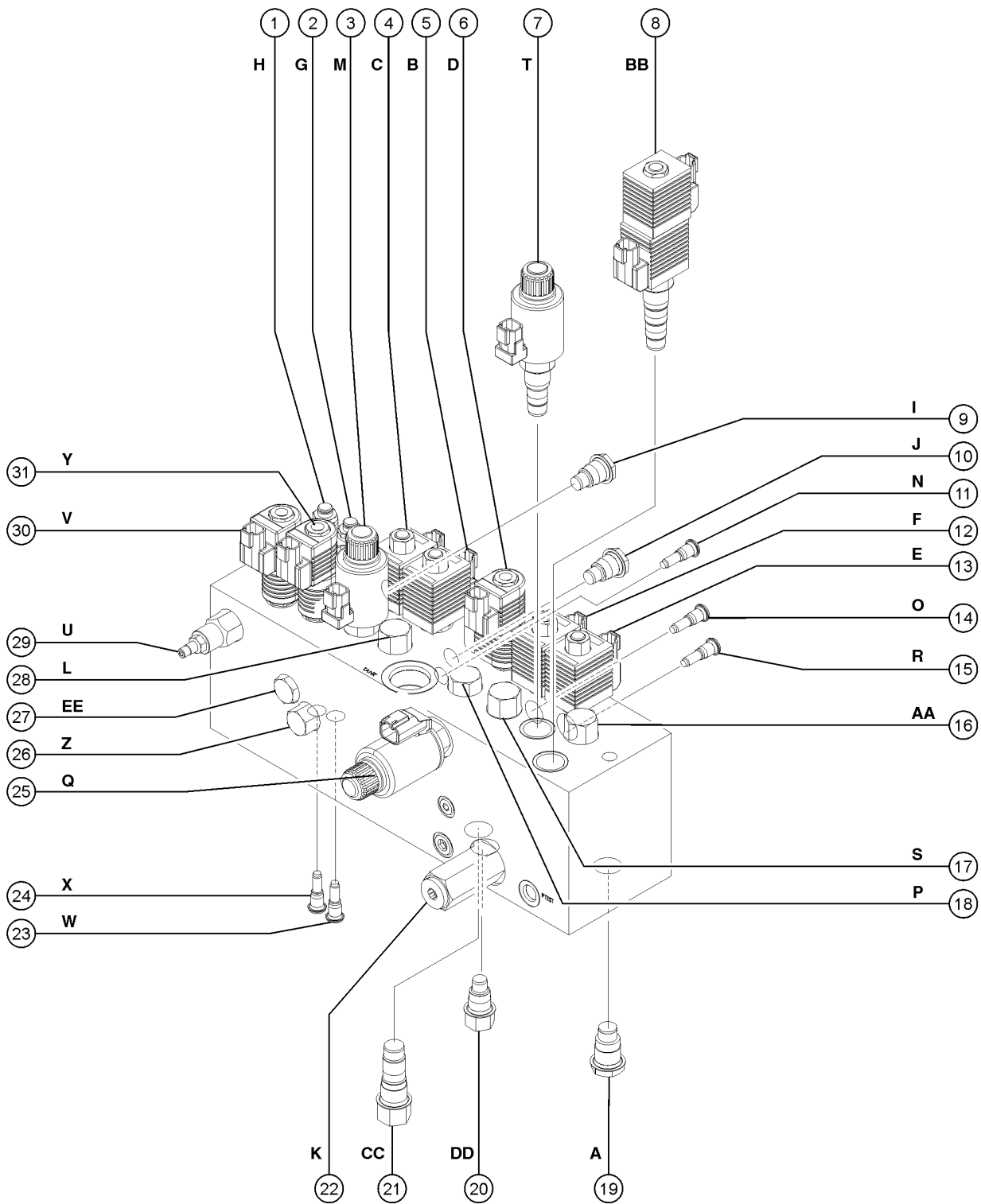
401.1 Function Manifold, S-60



Item	Part No.	Description	Qty.
8-	110196GT	SEAL KIT, VALVE, #10	
8-	52943GT	NUT SOLENOID VALVE COIL	
8-	89861GT	COIL, 10V DC (D10, 20 WATT)	
11	27807GT	VALVE,CHECK*** Differential sensing circuit, boom extend/retract	1
11-	110200GT	SEAL KIT, VALVE, #4	
12	89309GT	VALVE - SOLENOID 2POSITION 3WA Boom down	1
12-	45912GT	NUT,SOLENOID VALVE 2P3W	
12-	62275GT	COIL,10V	
12-	89310GT	SEAL KIT, SOLENOID VALVE	
13	89309GT	VALVE - SOLENOID 2POSITION 3WA Boom up/down circuit	1
13-	45912GT	NUT,SOLENOID VALVE 2P3W	
13-	62275GT	COIL,10V	
13-	89310GT	SEAL KIT, SOLENOID VALVE	
14	27807GT	VALVE,CHECK*** Differential sensing circuit, turntable rotate	1
14-	110200GT	SEAL KIT, VALVE, #4	
15	27807GT	VALVE,CHECK*** Differential sensing circuit, boom up/down	1
15-	110200GT	SEAL KIT, VALVE, #4	
16	111705GT	VALVE,FLOW REGULATOR 3.5 GPM** Steer left/right circuit	1
16-	110202GT	SEAL KIT, VALVE, #10	
17	94599GT	VALVE,DIFFERENTIAL SENSING,110 Boom up/down circuit	1
17-	110197GT	SEAL KIT, VALVE, #10	
18	27802GT	VALVE,DIFFERENTIAL SENSING*** Turntable rotate circuit	1
18-	110197GT	SEAL KIT, VALVE, #10	
19	27836GT	VALVE,CHECK,5 PSI Blocks flow from auxiliary pump to function pump	1
19-	110194GT	SEAL KIT, VALVE, #10	
20	32975GT	VALVE,FLOW REGULATOR 0.1 GPM Bleeds off differential sensing valves to tank	1
20-	74902GT	SEAL KIT, VALVE	
21	27804GT	VALVE,DIFFERENTIAL SENSING*** Differential sensing circuit, meters flow to functions	1



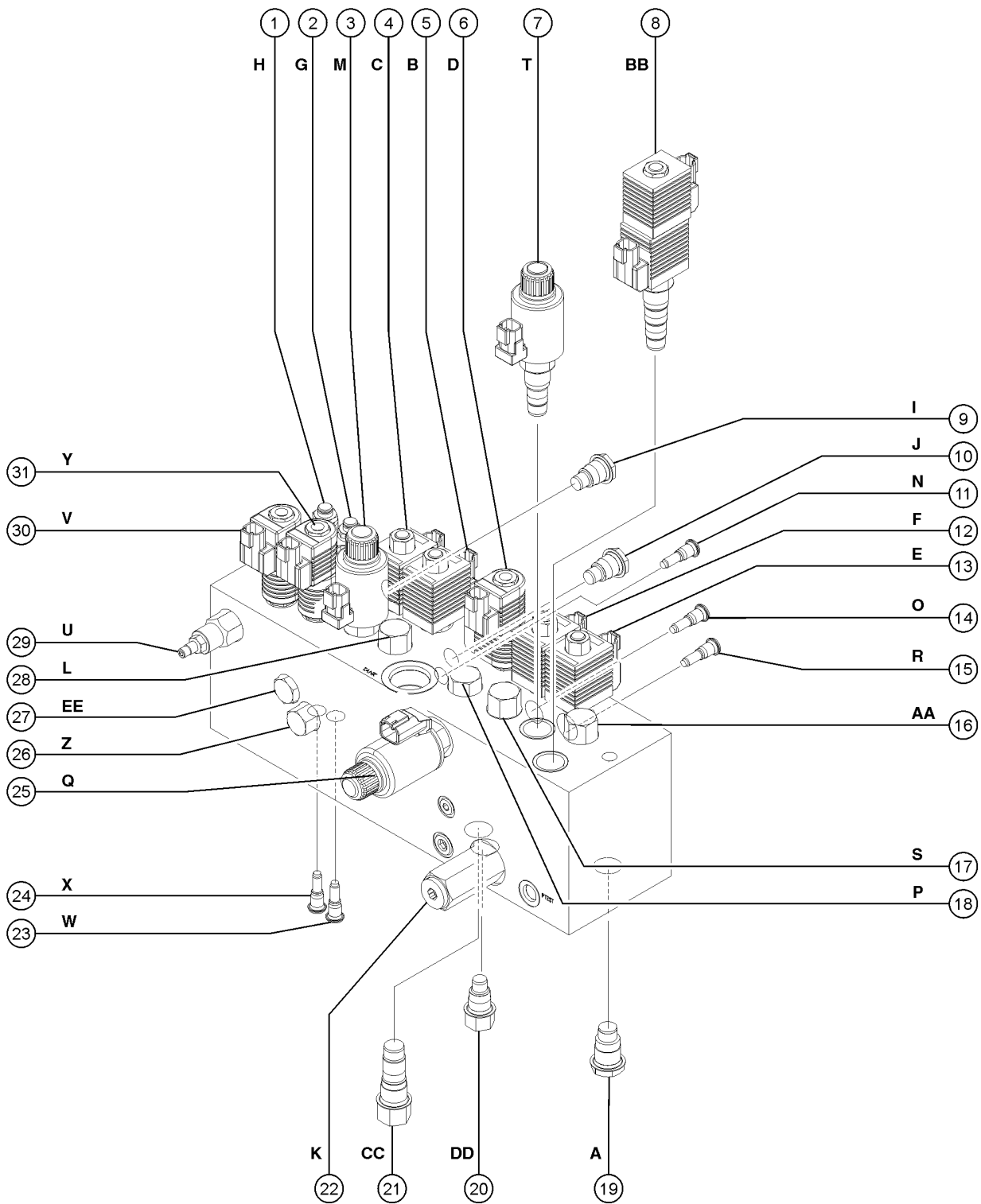
401.1 Function Manifold, S-60



Item	Part No.	Description	Qty.
21-	110201GT	SEAL KIT, VALVE, #10	
22	45489GT	VALVE,RELIEF 3000 PSI*** System relief	1
22-	110194GT	SEAL KIT, VALVE, #10	
23	27807GT	VALVE,CHECK*** Differential sensing circuit, platform level up	1
23-	110200GT	SEAL KIT, VALVE, #4	
24	27807GT	VALVE,CHECK*** Differential sensing circuit, platform level down	1
24-	110200GT	SEAL KIT, VALVE, #4	
25	102528GT	VALVE,PROPORTIONAL Turntable rotate left/right	1
25-	89737GT	COIL, PROPORTIONAL VALVE***	
25-	89738GT	NUT, PROPORTIONAL VALVE	
25-	89312GT	SEAL KIT, SOLENOID VALVE	
28	94599GT	VALVE,DIFFERENTIAL SENSING,110 Boom extend/retract circuit	1
28-	110197GT	SEAL KIT, VALVE, #10	
29	62258GT	VALVE,NEEDLE*** Platform level circuit	1
29-	110194GT	SEAL KIT, VALVE, #10	
30	89307GT	VALVE,SOLENOID 3POS 4WAY* Platform level up/down	1
30-	52943GT	NUT SOLENOID VALVE COIL	
30-	62273GT	COIL,GREEN W/ 2 PIN CONNECTOR*	
30-	72047GT	SEAL KIT, SOLENOID VALVE	
30-	89311GT	SPACER, DUAL COIL SIZE #8	



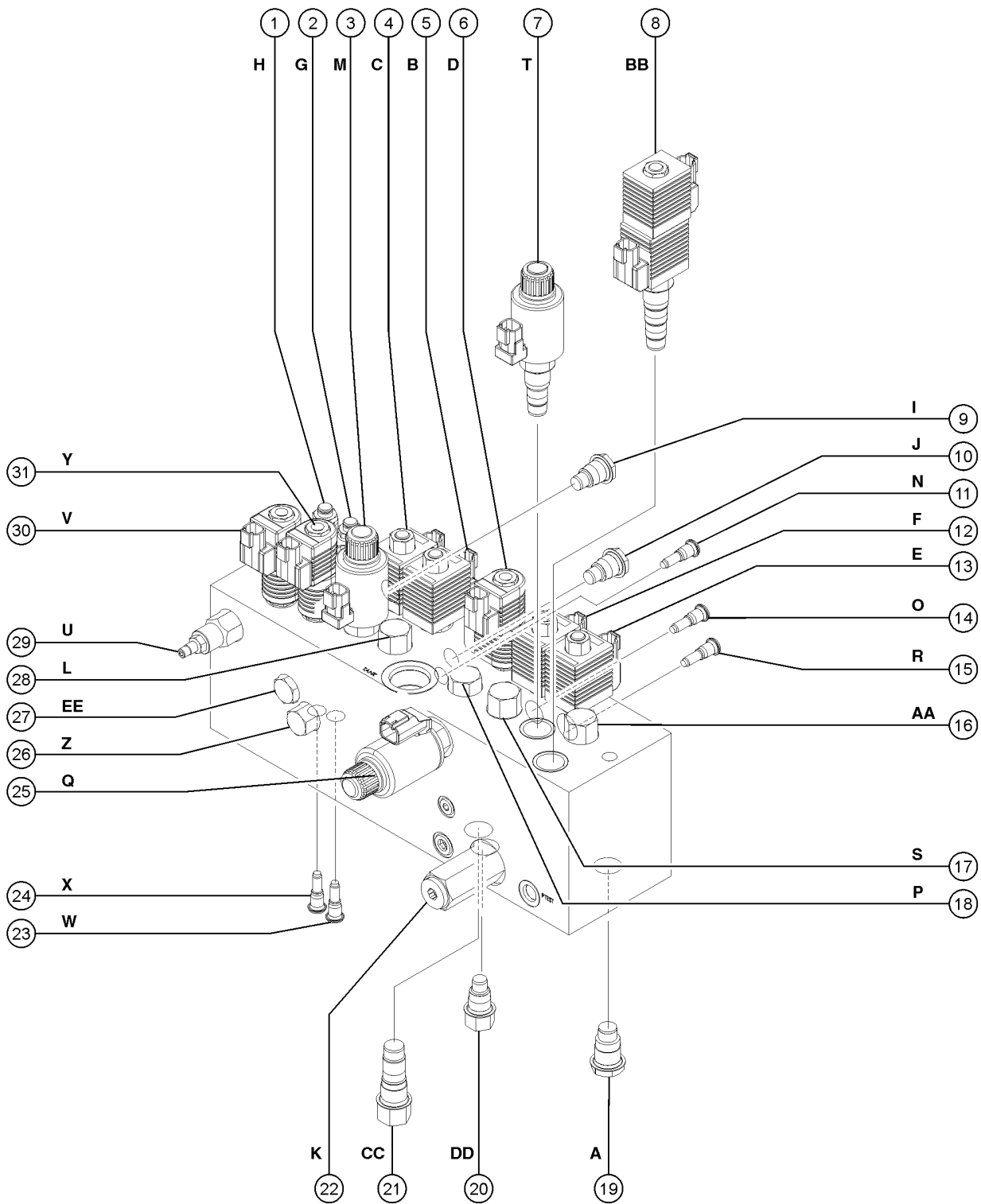
401.2 Function Manifold, S-65



Item	Part No.	Description	Qty.
A-	161141GT	MANIFOLD,FUNCTION	
B-	94499GT	ACCUMULATOR,10CC,1000PSI,#6SAE	
1	62256GT	VALVE,CB 3:1 3500 PSI	1
		Platform level down	
1-	110202GT	SEAL KIT, VALVE, #10	
2	62256GT	VALVE,CB 3:1 3500 PSI	1
		Platform level up	
2-	110202GT	SEAL KIT, VALVE, #10	
3	107753GT	VALVE,PROPORTIONAL	1
		Boom extend/retract	
3-	89310GT	SEAL KIT, SOLENOID VALVE	
3-	58303GT	COIL,VALVE,PROPORTIONAL ***	
3-	45921GT	RETAINER-N.C.PROPOR.SOLENOID	
4	89309GT	VALVE - SOLENOID 2POSITION 3WA	1
		Boom retract	
4-	45912GT	NUT,SOLENOID VALVE 2P3W	
4-	62275GT	COIL,10V	
4-	89310GT	SEAL KIT, SOLENOID VALVE	
5	89309GT	VALVE - SOLENOID 2POSITION 3WA	1
		Boom extend	
5-	45912GT	NUT,SOLENOID VALVE 2P3W	
5-	62275GT	COIL,10V	
5-	89310GT	SEAL KIT, SOLENOID VALVE	
6	89307GT	VALVE,SOLENOID 3POS 4WAY*	1
		Turntable rotate	
6-	52943GT	NUT SOLENOID VALVE COIL	
6-	62273GT	COIL,GREEN W/ 2 PIN CONNECTOR*	
6-	72047GT	SEAL KIT, SOLENOID VALVE	
6-	89311GT	SPACER, DUAL COIL SIZE #8	
7	107753GT	VALVE,PROPORTIONAL	
		Boom up/down circuit	
7-	89310GT	SEAL KIT, SOLENOID VALVE	
7-	58303GT	COIL,VALVE,PROPORTIONAL ***	
7-	45921GT	RETAINER-N.C.PROPOR.SOLENOID	
8	62260GT	VALVE,SOLENOID 3 POS,4WAY***	1
		Steer left/right	



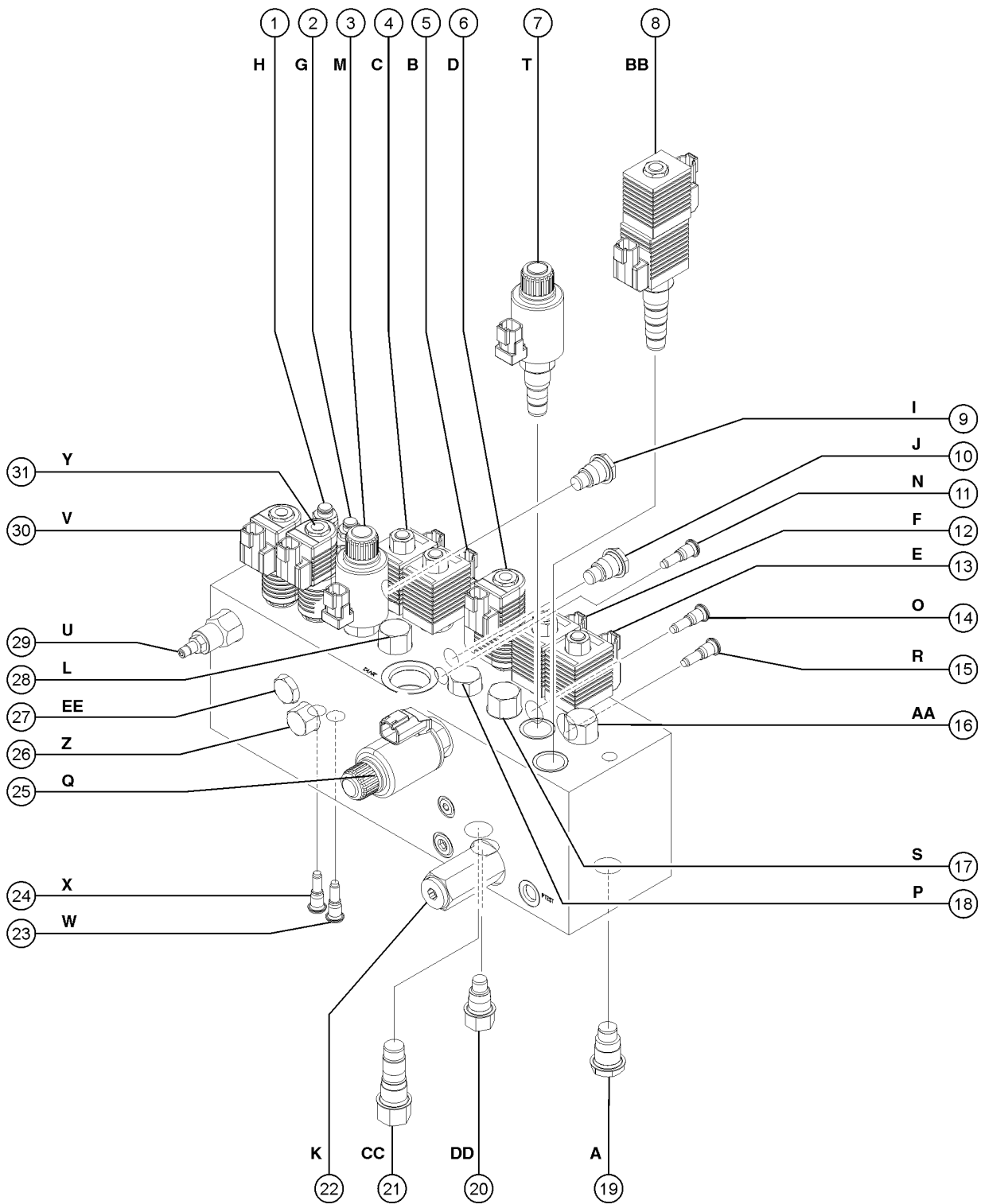
401.2 Function Manifold, S-65



Item	Part No.	Description	Qty.
8-	110196GT	SEAL KIT, VALVE, #10	
8-	52943GT	NUT SOLENOID VALVE COIL	
8-	89861GT	COIL, 10V DC (D10, 20 WATT)	
9	62257GT	VALVE,CHECK, 30 PSI Differential sensing circuit, platform rotate left and jib boom up (S-65, S-65 Trax)	1
9-	74902GT	SEAL KIT, VALVE	
10	62257GT	VALVE,CHECK, 30 PSI Differential sensing circuit, platform rotate right and jib boom down (S-65, S-65 Trax)	1
10-	74902GT	SEAL KIT, VALVE	
11	27807GT	VALVE,CHECK*** Differential sensing circuit, boom extend/retract	1
11-	110200GT	SEAL KIT, VALVE, #4	
12	89309GT	VALVE - SOLENOID 2POSITION 3WA Boom down	1
12-	45912GT	NUT,SOLENOID VALVE 2P3W	
12-	62275GT	COIL,10V	
12-	89310GT	SEAL KIT, SOLENOID VALVE	
13	89309GT	VALVE - SOLENOID 2POSITION 3WA Boom up/down circuit	1
13-	45912GT	NUT,SOLENOID VALVE 2P3W	
13-	62275GT	COIL,10V	
13-	89310GT	SEAL KIT, SOLENOID VALVE	
14	27807GT	VALVE,CHECK*** Differential sensing circuit, turntable rotate	1
14-	110200GT	SEAL KIT, VALVE, #4	
15	27807GT	VALVE,CHECK*** Differential sensing circuit, boom up/down	1
15-	110200GT	SEAL KIT, VALVE, #4	
16	111705GT	VALVE,FLOW REGULATOR 3.5 GPM** Steer left/right circuit	1
16-	110202GT	SEAL KIT, VALVE, #10	
17	94599GT	VALVE,DIFFERENTIAL SENSING,110 Boom up/down circuit	1
17-	110197GT	SEAL KIT, VALVE, #10	
18	27802GT	VALVE,DIFFERENTIAL SENSING*** Turntable rotate circuit	1
18-	110197GT	SEAL KIT, VALVE, #10	
19	27836GT	VALVE,CHECK,5 PSI Blocks flow from auxiliary pump to function pump	1



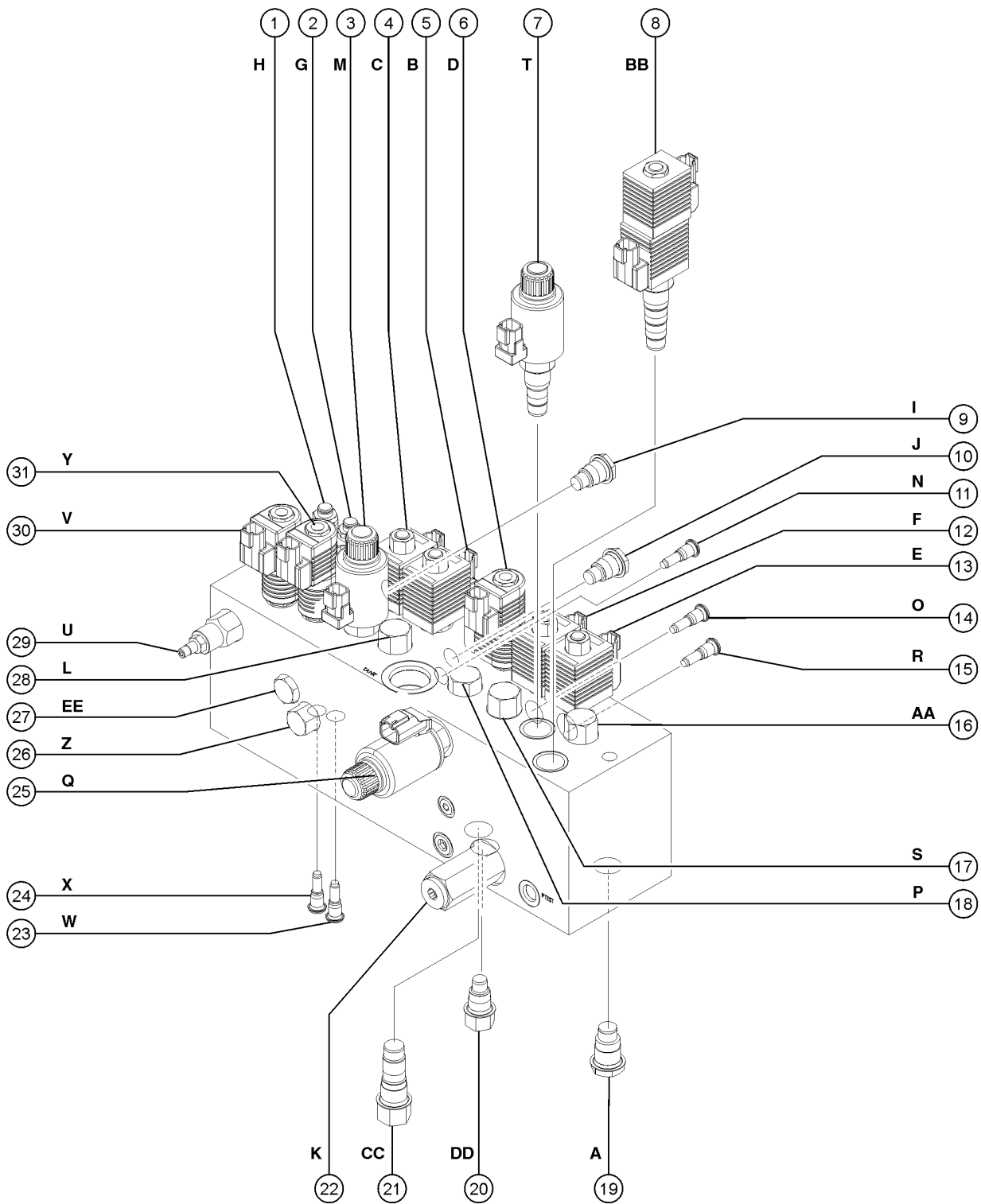
401.2 Function Manifold, S-65



Item	Part No.	Description	Qty.
19-	110194GT	SEAL KIT, VALVE, #10	
20	32975GT	VALVE, FLOW REGULATOR 0.1 GPM Bleeds off differential sensing valves to tank	1
20-	74902GT	SEAL KIT, VALVE	
21	27804GT	VALVE, DIFFERENTIAL SENSING*** Differential sensing circuit, meters flow to functions	1
21-	110201GT	SEAL KIT, VALVE, #10	
22	45489GT	VALVE, RELIEF 3000 PSI*** System relief	1
22-	110194GT	SEAL KIT, VALVE, #10	
23	27807GT	VALVE, CHECK*** Differential sensing circuit, platform level up	1
23-	110200GT	SEAL KIT, VALVE, #4	
24	27807GT	VALVE, CHECK*** Differential sensing circuit, platform level down	1
24-	110200GT	SEAL KIT, VALVE, #4	
25	102528GT	VALVE, PROPORTIONAL Turntable rotate left/right	1
25-	89737GT	COIL, PROPORTIONAL VALVE***	
25-	89738GT	NUT, PROPORTIONAL VALVE	
25-	89312GT	SEAL KIT, SOLENOID VALVE	
26	31100GT	VALVE, FLOW REGULATOR 0.6GPM Platform rotate and jib boom (S-65, S-65 TraX)	1
26-	74902GT	SEAL KIT, VALVE	
27	62257GT	VALVE, CHECK, 30 PSI Platform rotate and jib boom circuit (S-65, S-65 TraX) (prevents hydraulic hoses from draining back to tank)	1
27-	74902GT	SEAL KIT, VALVE	
28	94599GT	VALVE, DIFFERENTIAL SENSING, 110 Boom extend/retact circuit	1
28-	110197GT	SEAL KIT, VALVE, #10	
29	62258GT	VALVE, NEEDLE*** Platform level circuit	1
29-	110194GT	SEAL KIT, VALVE, #10	
30	89307GT	VALVE, SOLENOID 3POS 4WAY* Platform level up/down	1
30-	52943GT	NUT SOLENOID VALVE COIL	
30-	62273GT	COIL, GREEN W/ 2 PIN CONNECTOR*	
30-	72047GT	SEAL KIT, SOLENOID VALVE	
30-	89311GT	SPACER, DUAL COIL SIZE #8	



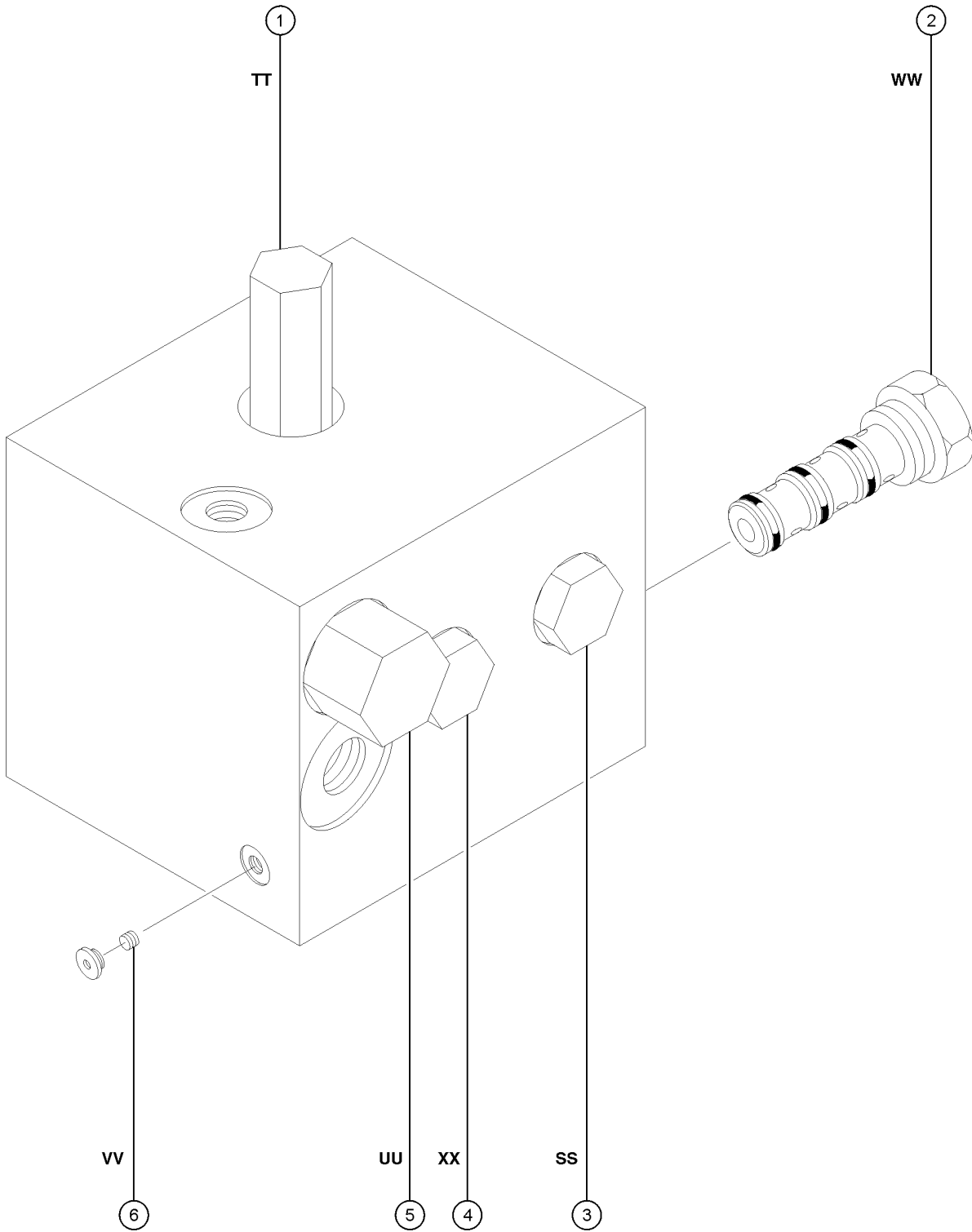
401.2 Function Manifold, S-65



<i>Item</i>	<i>Part No.</i>	<i>Description</i>	<i>Qty.</i>
31	89307GT	VALVE,SOLENOID 3POS 4WAY* Platform rotate and jib boom up/down (S-65, S-65 TraX)	1
31-	52943GT	NUT SOLENOID VALVE COIL	
31-	62273GT	COIL,GREEN W/ 2 PIN CONNECTOR*	
31-	72047GT	SEAL KIT, SOLENOID VALVE	
31-	89311GT	SPACER, DUAL COIL SIZE #8	



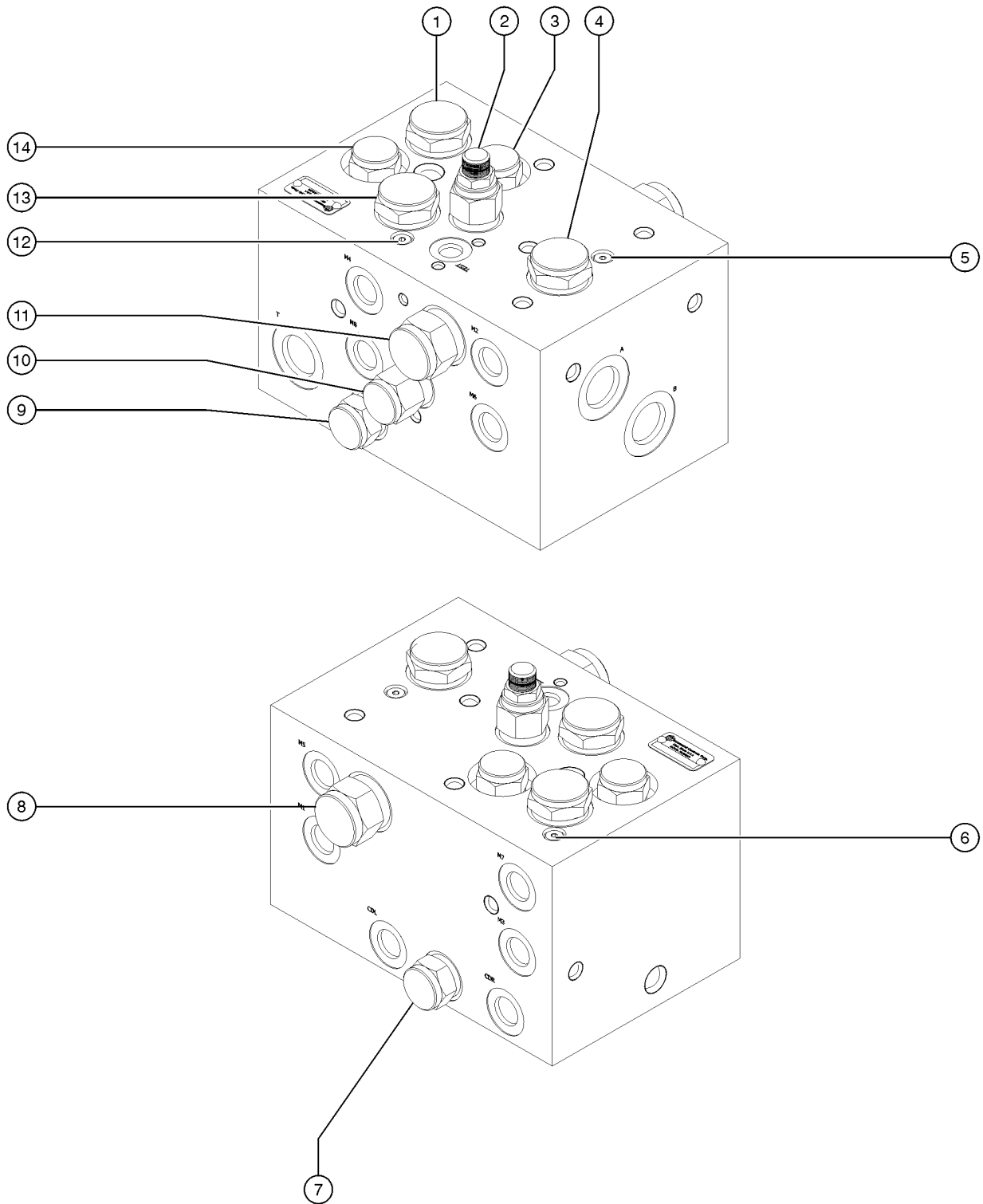
402.1 Traction Manifold, 2WD



Item	Part No.	Description	Qty.
A-	88783GT	MANIFOLD,TRACTION,2WD	
1	94758GT	VALVE,RELIEF,280PSI Charge Pressure circuit	1
1-	110194GT	SEAL KIT, VALVE, #10	
2	52726GT	VALVE,FLOW DIVIDER/COMBINER Controls flow to drive motors in forward and reverse	1
2-	84135GT	SEAL KIT, VALVE	
3	27836GT	VALVE,CHECK,5 PSI Drive circuit	1
3-	110194GT	SEAL KIT, VALVE, #10	
4	27836GT	VALVE,CHECK,5 PSI Drive circuit	1
4-	110194GT	SEAL KIT, VALVE, #10	
5	27761GT	VALVE,SHUTTLE Charge Pressure circuit that directs hot oil out of low pressure side of drive pump	1
5-	84134GT	SEAL KIT, VALVE	
6	101440GT	ORIFICE PLUG, 0.070" Drive motor circuit	1



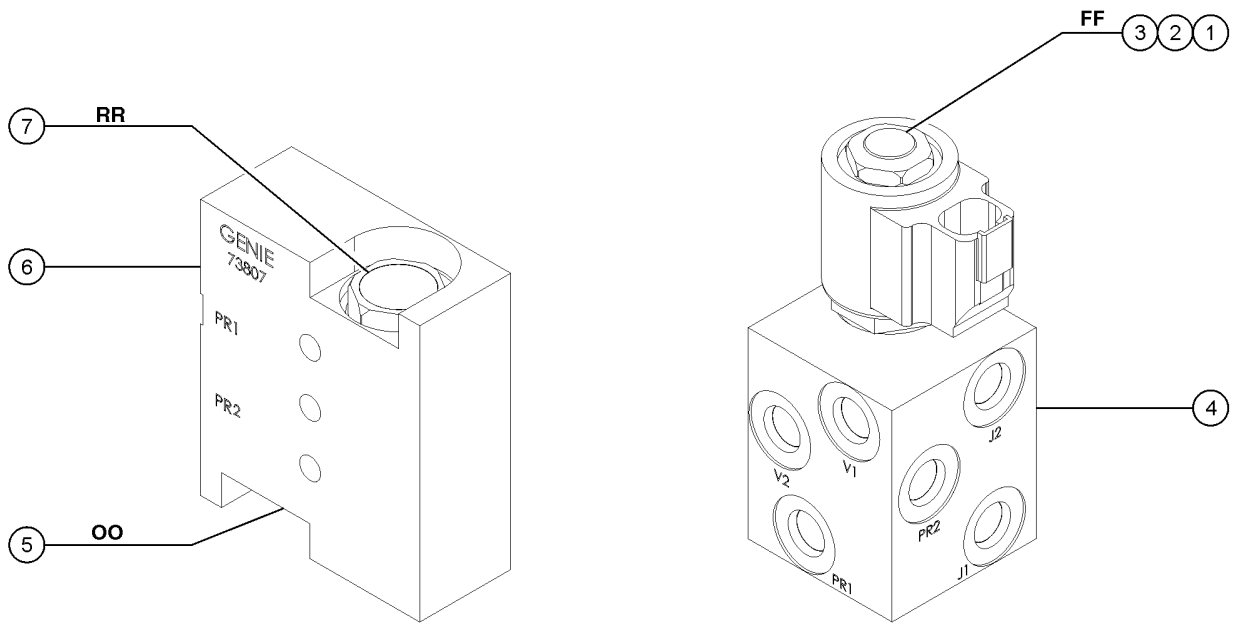
403.1 Traction Manifold, 4WD



Item	Part No.	Description	Qty.
	139712GT	MANIFOLD,TRACTION,4WD***	
1	139717GT	VALVE, FLOW DIVIDE/COMB,24GPM (controls flow to non-steer end drive motors in forward and reverse)	1
1-	139512GT	SEAL KIT, VALVE	
2	139718GT	VALVE, RELIEF, 280PSI	1
2-	139528GT	SEAL KIT, VALVE	
3	139527GT	VALVE, CHECK, 5PSI (steer end drive motor circuit)	1
4	139508GT	VALVE, FLOW DIVIDE/COMBINE 1:1 (controls flow to flow divider/combiner valves 1 and 13)	1
5	139719GT	ORIFICE, 0.040" (equalizes pressure on both sides of flow divider/combiner valve)	1
5-	1287434GT	PLUG,SAE #03 (139712)	
6	139719GT	ORIFICE, 0.040" (equalizes pressure on both sides of flow divider/combiner valve)	1
6-	1287434GT	PLUG,SAE #03 (139712)	
7	139527GT	VALVE, CHECK, 5PSI (non-steer end drive motor circuit)	1
8	139716GT	VALVE, CHECK (non-steer end drive motor circuit)	1
8-	139727GT	SEAL KIT, VALVE	
9	139527GT	VALVE, CHECK, 5PSI (steer end drive motor circuit)	1
10	139715GT	VALVE, SHUTTLE, FIXED (steer end drive motor circuit)	1
10-	139512GT	SEAL KIT, VALVE	
11	139716GT	VALVE, CHECK (charge pressure circuit that directs hot oil out of low pressure side of drive pump)	1
12	139719GT	ORIFICE, 0.040" (equalizes pressure on both sides of flow divider/combiner valve)	1
12-	1287434GT	PLUG,SAE #03 (139712)	
13	139717GT	VALVE, FLOW DIVIDE/COMB,24GPM (controls flow to steer end drive motors in forward and reverse)	1
13-	139512GT	SEAL KIT, VALVE	
14	139527GT	VALVE, CHECK, 5PSI (non-steer end drive motor circuit)	1



404.1 Platform Rotate and Jib Boom/Platform Rotate Manifold



Platform Rotate Manifold

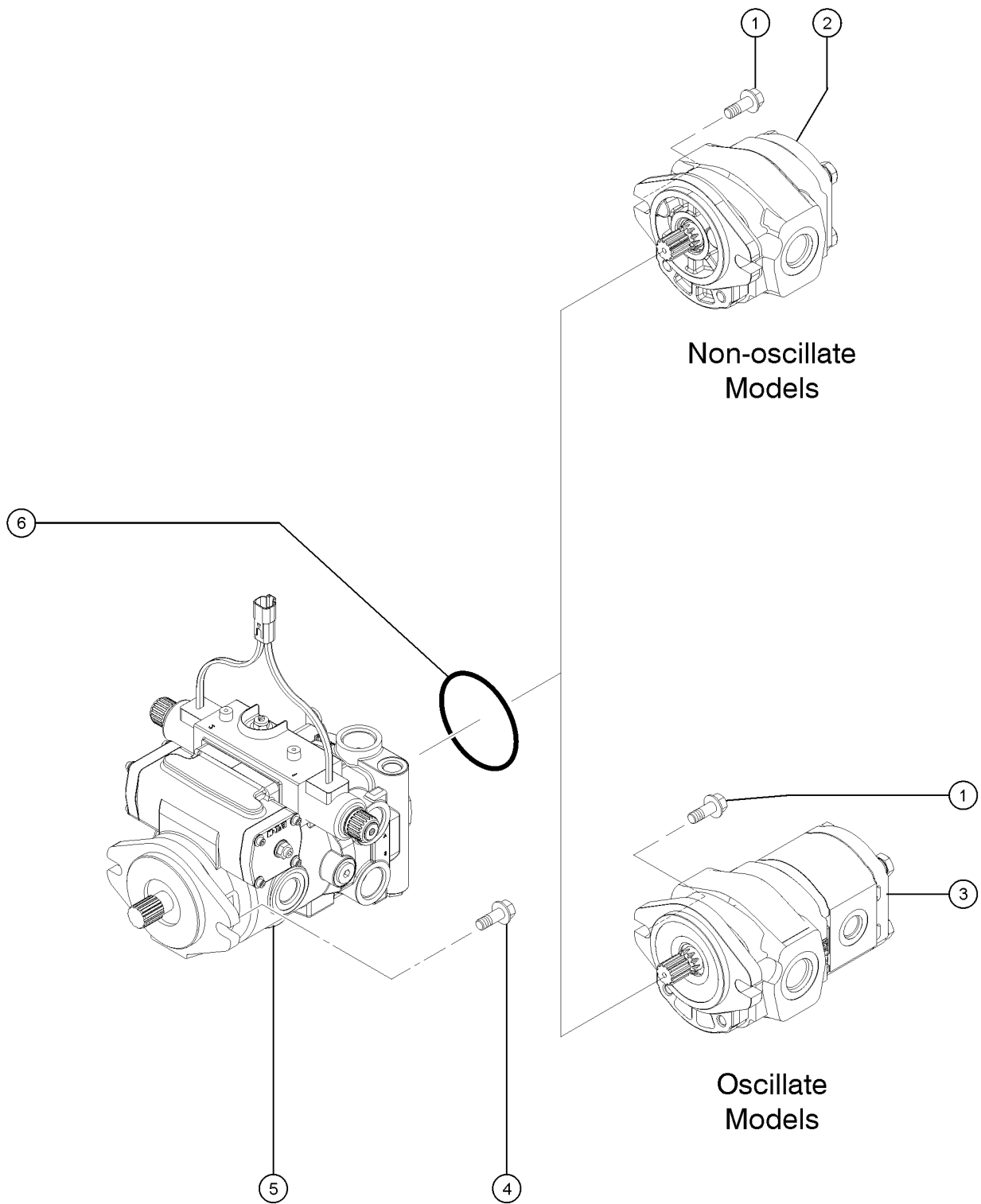
Jib Select Manifold

404.1 Platform Rotate and Jib Boom/Platform Rotate Manifold

Item	Part No.	Description	Qty.
1	44174GT	NUT-COIL SHORT	1
2	52897GT	VALVE,SOLENOID, 2POS/3WAY***	1
2-	52371GT	SEAL KIT, VALVE	1
3	104759GT	COIL,12VDC #8 DTSCH IP69 ECOIL	1
4	1256670GT	MANIFOLD,JIB SELECT W/QD PLUG	1
		includes items 1-3	
4B		MANIFOLD,JIB SELECT W/QD PLUG* (88786)	1
		replaced by 1256670	
4B-	89862GT	VALVE-SOLENOID,2POS 3WAY,JIB**	1
		Platform rotate/Jib boom select	
4B-	89864GT	SEAL KIT,SOLENOID VALVE, SV07	
5	62506GT	VALVE - COUNTERBALANCE**	1
		Platform rotate left	
5-	43018GT	SEAL KIT (39345)	
6	73807GT	MANIFOLD,ROTATOR,CB***	1
6-	62507GT	O-RING, ROTATOR MANIFOLD	
7	62506GT	VALVE - COUNTERBALANCE**	1
		Platform rotate right	
7-	43018GT	SEAL KIT (39345)	



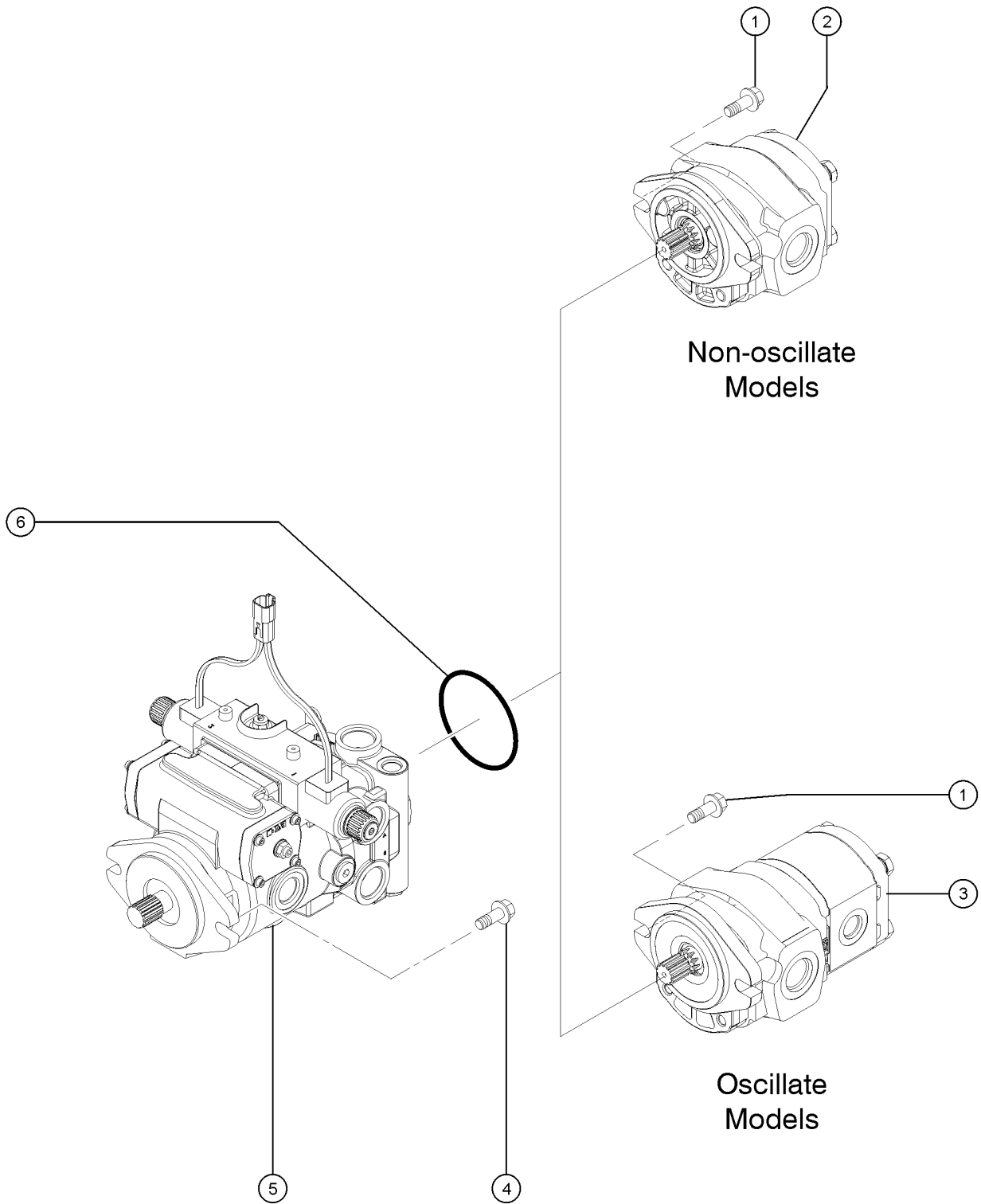
405.1 Pumps



Item	Part No.	Description	Qty.
1	824090GT	SCREW,HHF,3/8-16X1,8,ZAG (to SN S60D-3074)	
1B	824091GT	SCREW,HHF,3/8-16X1.25,8,ZAG (from SN S60D-3075)	
2	139799GT	PUMP,LIFT,1 SECTION non-oscillate models	1
2-	147550GT	KIT, SEAL, PUMP, 1 SECTION	
3	139801GT	PUMP,LIFT,2 SECTION*** oscillate models	1
3-	147549GT	KIT, SEAL, PUMP, 2 SECTION	
4	1253498GT	SCREW,HHF,1/2-13X1.5,8,ZAG (to SN S60D-3074)	
4B	826171GT	SCREW,HHF,1/2-13X1.75,8,ZAG (from SN S60D-3075)	
5	77788GT	PUMP,PISTON,49CC*** (to SN S60D-3074)	1
5-	43683GT	O-RING,2-042 N674-70***	
5-	58431GT	SEAL KIT,PUMP SHAFT (EATON)*** check pump date code, if after 031505, must also order 107813 qty 1	
5-	82431GT	HOSE ASM-JCAF310-06-41	
5-	1286043GT	KIT,SOLENOID REPLACEMENT,EATON (77788)	
5-	1285506GT	SEAL RING,SOLENOID CONTROL (for 1286043GT)	
5-	101294GT	KIT,CHARGE PUMP	
5-	106835GT	CONTROLLER W/O COILS (77788) (first time replacement requires 1285505GT)	
5-	106836GT	O-RING,STEM,EATON	
5-	106837GT	NUT,STEM,EATON***	
5-	107813GT	SPACER,EATON PUMP SHAFT SEAL** check pump date code, for pumps after 031505	
5-	107814GT	SEAL,SHAFT,EATON PUMP***	
5-	107815GT	SNAP RING,PUMP SHAFT SEAL***	
5-	107842GT	KIT,PUMP SHAFT SEAL W/INST*** includes PNs 107813, 107814, 107815	
5-	128423GT	KIT,CHARGE PUMP HOUSING	
5-	9990606GT	COVER PLATE GASKET (Component of 77788GT) (QTY 2 per pump)	
5-	9990607GT	WASHER SEAL(Component of 77788GT) (use on Cover Plate)	
5-	9990608GT	NUT, JAM (Component of 77788GT) (use on Cover Plate)	
5B	1275747GT	PUMP,HYD,PISTON,M46,HI CURRENT (from SN S60D-3075)	1
5B-	826171GT	SCREW,HHF,1/2-13X1.75,8,ZAG	2



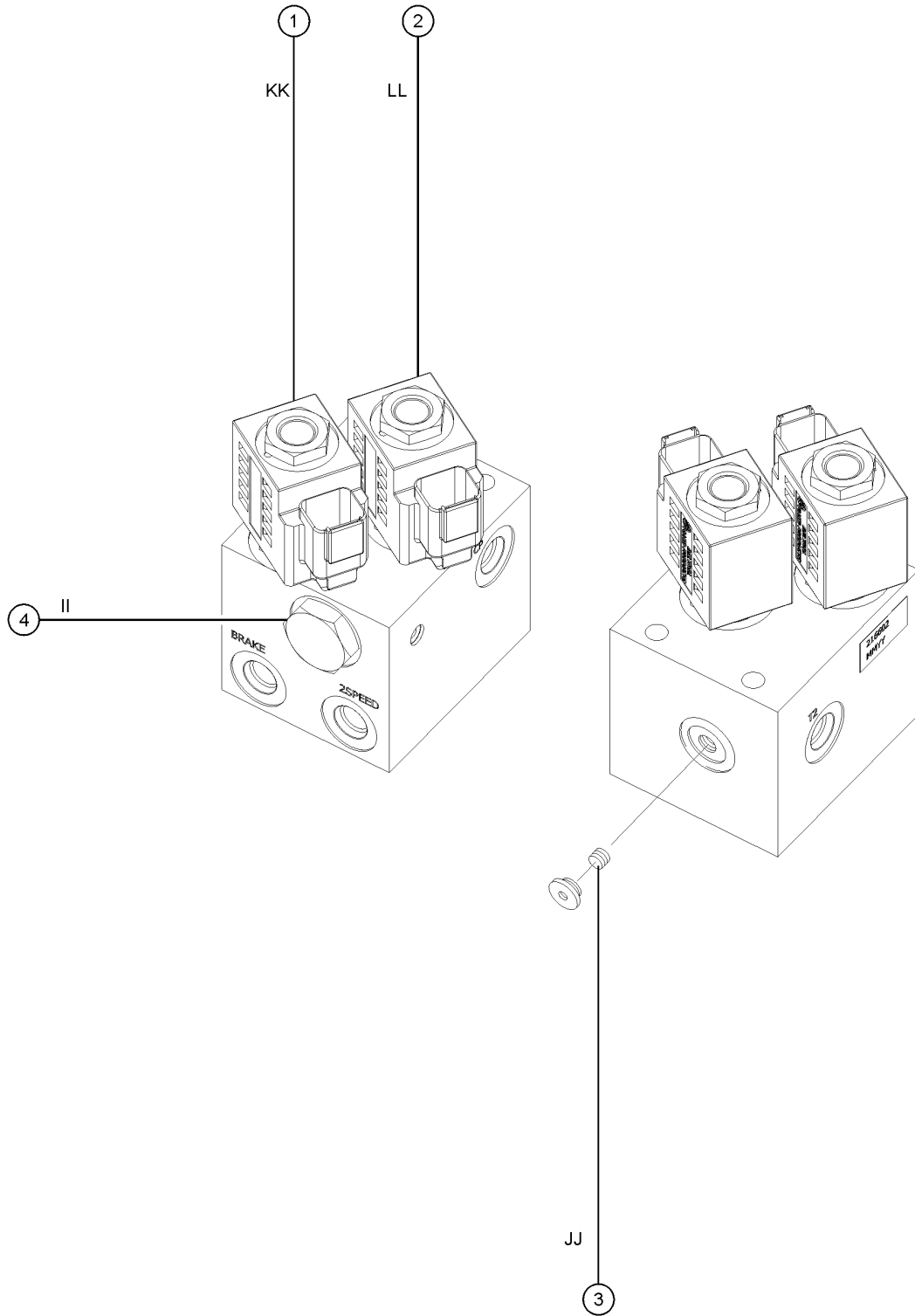
405.1 Pumps



<i>Item</i>	<i>Part No.</i>	<i>Description</i>	<i>Qty.</i>
5B-	29739GT	SEAL KIT,SAUER-DANFOSS M46***	
5B-	1272536GT	KIT, EDC REPLACEMENT, SAUER M46	
5B-	83141GT	O RING	
6	43683GT	O-RING,2-042 N674-70*** (to SN S60D-3074)	1
6B	83141GT	O RING (from SN S60D-3075)	1



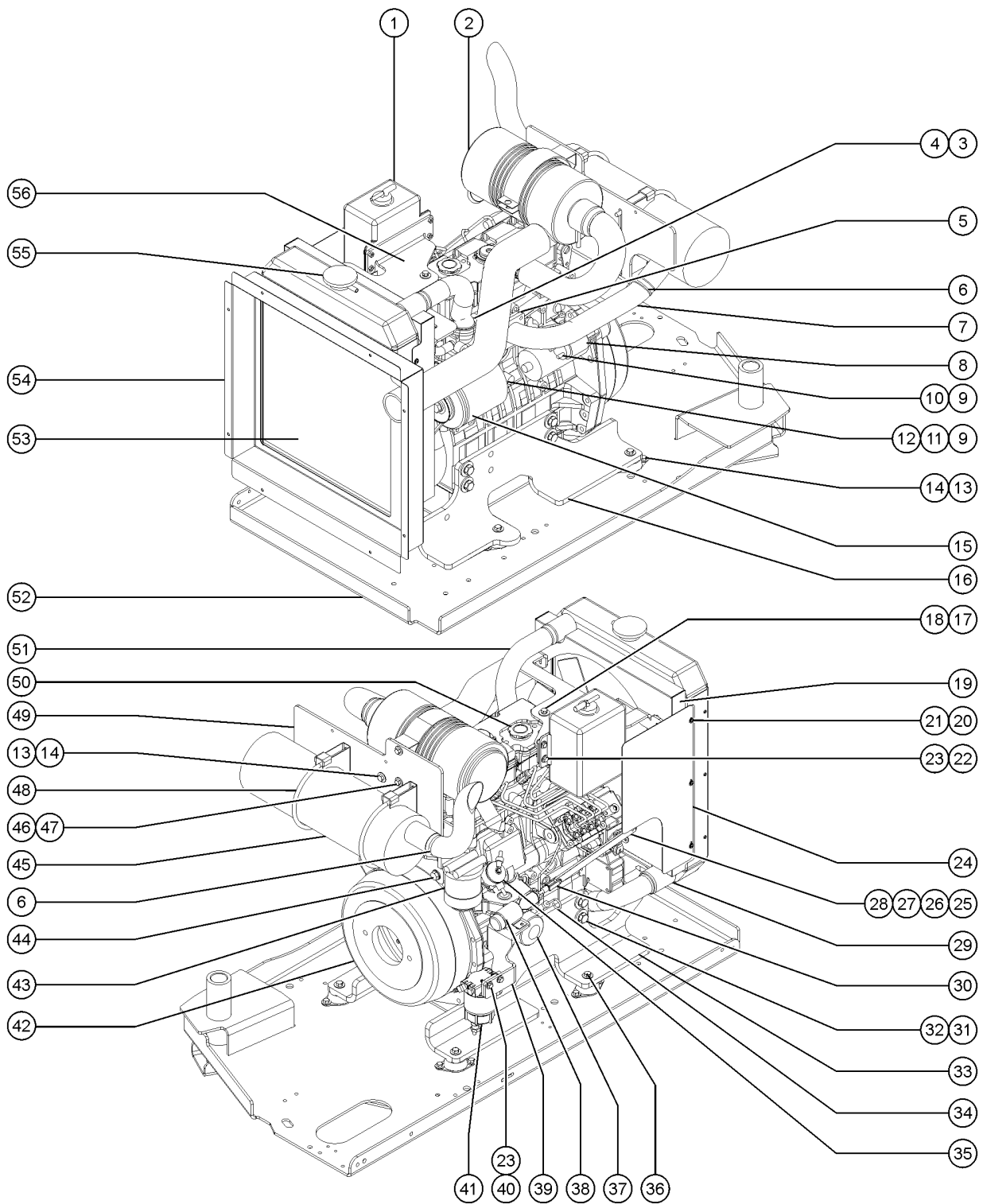
406.1 Brake and 2 Speed Manifold



Item	Part No.	Description	Qty.
-	216602GT	MANIFOLD,BRAKE,2-SPEED	1
1	219243GT	COIL, SOLENOID VALVE, 10V Brake Release	1
1-	161144GT	SEAL KIT,SOLENOID VALVE 219247	
1-	94759GT	NUT,SOLENOID	
1-	219247GT	VALVE, SOLENOID	
2	219243GT	COIL, SOLENOID VALVE, 10V Two Speed Motor Shift	1
2-	161144GT	SEAL KIT,SOLENOID VALVE 219247	
2-	94759GT	NUT,SOLENOID	
2-	219247GT	VALVE, SOLENOID	
3	219245GT	ORIFICE PLUG .025 DIA. Turntable Rotation Brake Release	1
4	35726GT	VALVE,HYDRAULIC CHECK Brake Release Circuit	1
4-	161145GT	SEAL KIT,CHECK VALVE 219246	



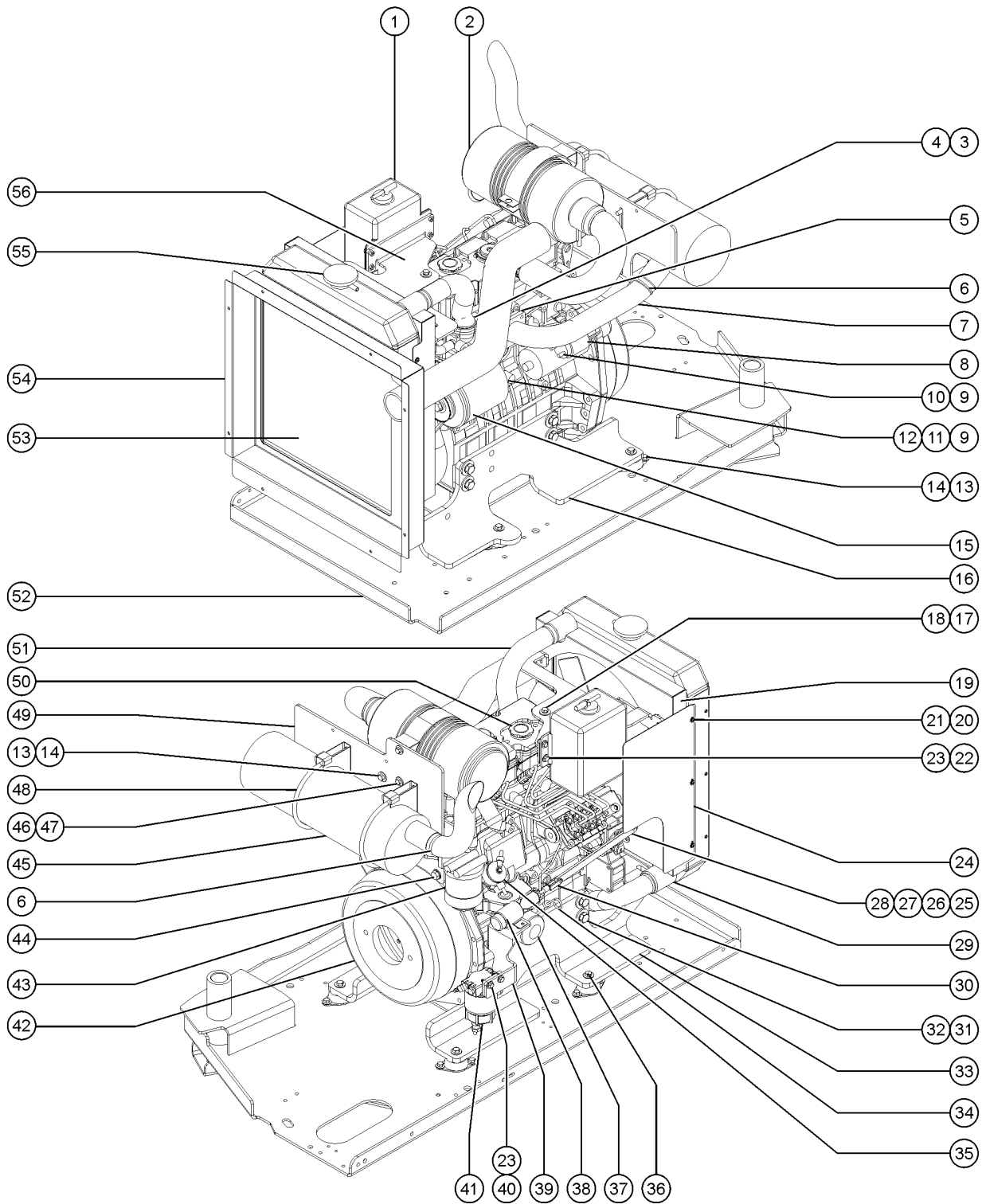
501.1 Perkins 404D-22



Item	Part No.	Description	Qty.
-		For internal engine parts, contact engine dealer	
A	160689GT	ENGINE,PERKINS, 404D-22 ROW (for 219792 engine)	
A-	128987GT	WATER PUMP (for 128831 engine)	
A-	58354GT	GASKET,WATER PUMP (for 128831 engine)	
A-	85155GT	PUMP,PRIMER,PERKINS*** (for 128831 engine)	
A-	119809GT	SWITCH, OIL PRESSURE Old switch design was used with an adaptor; New switch screws directly into engine block. With older engine, remove adaptor and install new switch directly into engine block	
A-	97473GT	SENSOR,WATER TEMPERATURE (for 128831 engine)	
A-	94887GT	INTAKE MANIFOLD (for 128831 engine)	
A-	72348GT	PUMP,LIFT(FUEL) PERKINS(54555) (for 128831 engine)	
A-	77736GT	GLOW PLUG (PERKINS 404-22) (for 128831 engine)	
A-	106663GT	SOLENOID,SHUT DOWN PERKIN40422 (for 128831 engine)	
A-	94890GT	MANUAL,OPERATORS PERKINS 404 (for 128831 engine)	
A-	65538GT	FLYWHEEL (PERKINS KR70481U)** (for 128831 engine)	
1	70367GT	BOTTLE,COOLANT RECOVERY,3.7***	1
1-	115431GT	CAP ASSY, COOLANT BOTTLE	
1-	106226-4000GT	TUBING, VINYL, 1/2" CLEAR	
2	63463GT	AIR CLEANER,NELSON	1
2-	58415GT	CLIP,AIR CLEANER END CAP*** end cap not available separately	
2-	62420GT	FILTER,AIR***	
2-	65810GT	BAFFLE, AIR CLEANER (27915)**	
2-	52866GT	EVACUATOR VALVE-AIR CLEANER	
2-	53952GT	BRKT,AIR CLEANER ORIENTATION**	
2-	88846GT	HOSE,AIR INLET	
2-	88847GT	HOSE,AIR CLEANER TO INTAKE	
3	128986GT	WATER OUTLET, VERTICAL	1
4	128991GT	THERMOSTAT	1
4-	147355GT	GASKET-THERMOSTAT HSG for 128991, Engine block Thermostat	1
4-	77477GT	GASKET,THERMOSTAT HSG Vertical Thermostat	

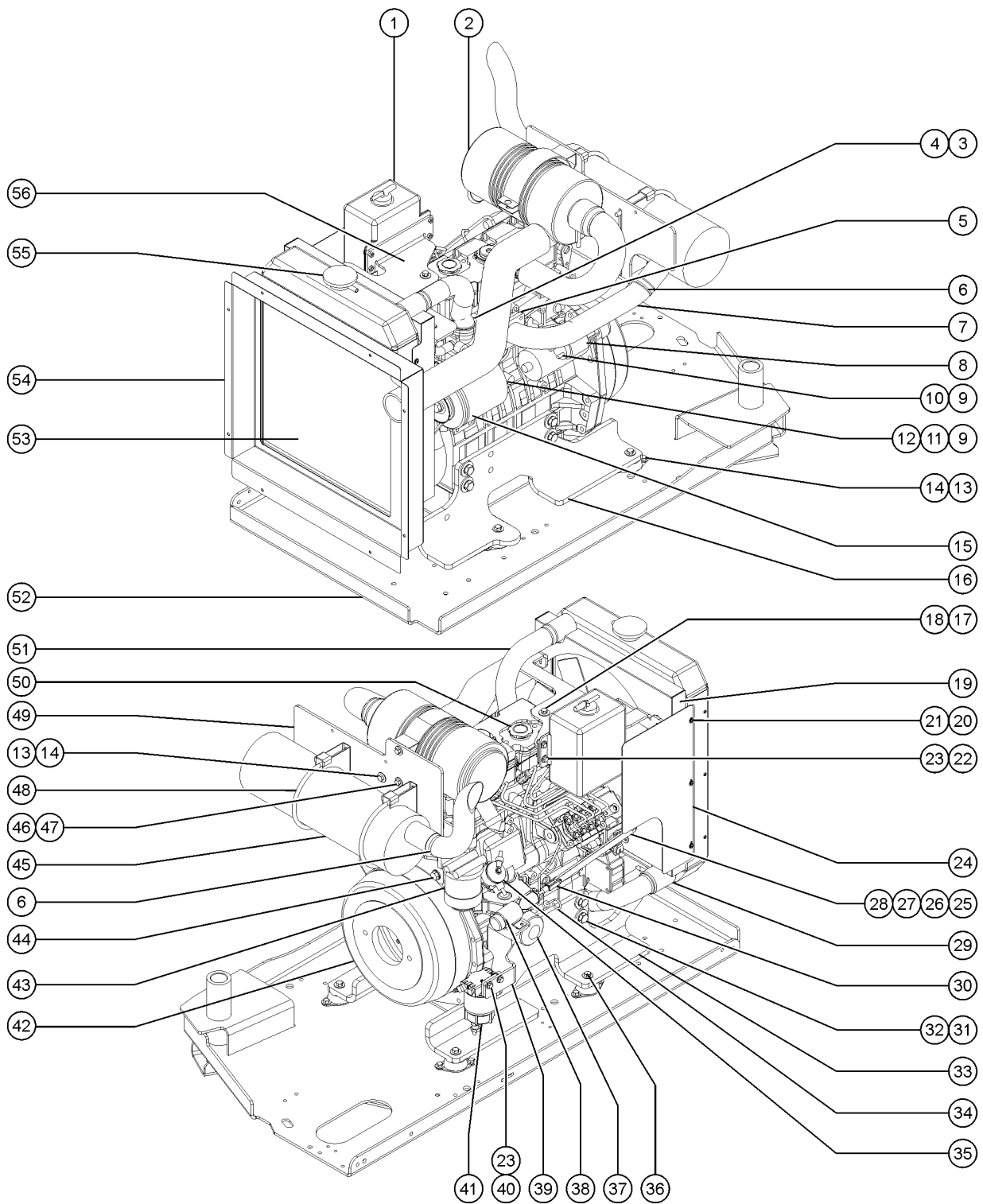


501.1 Perkins 404D-22



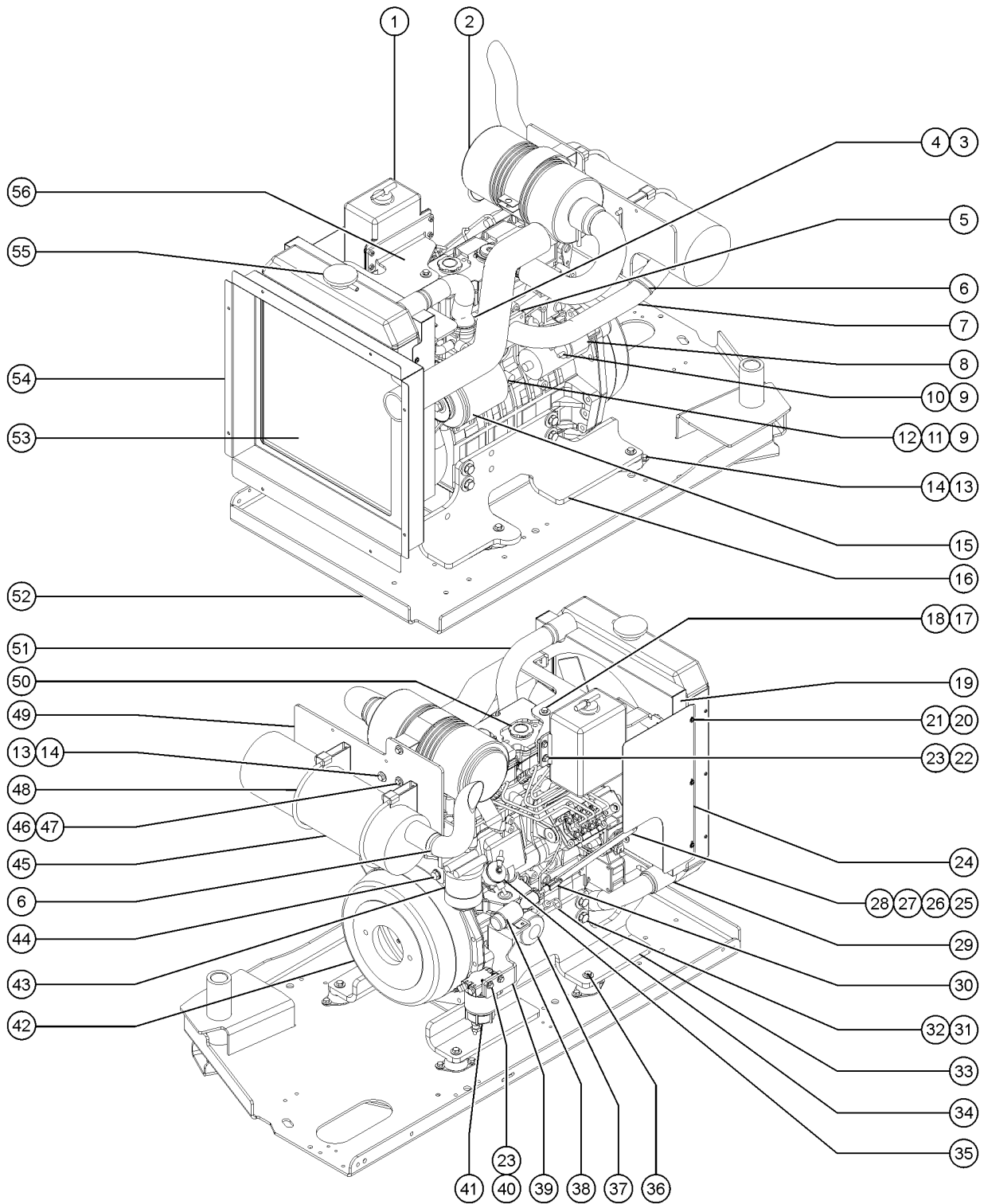
Item	Part No.	Description	Qty.
5	72343GT	GASKET,EXH FLANGE-FORD/PERKINS	1
6	70385GT	CLAMP,EXHAUST,2.00 PLATED	2
7	110899GT	WELDMENT,EXHAUST PIPE	1
7-	94888GT	EXHAUST MANIFOLD	
		sold separately	
7-	94711GT	FLANGE,EXHAUST	
		sold separately	
7-	72343GT	GASKET,EXH FLANGE-FORD/PERKINS	1
		sold separately	
7-	72344GT	BOLT,EXHAUST,PERKINS(54555)**	
		sold separately	
7-	62845GT	NUT-FLANGE, 8MM (62849)	
		sold separately	
8	228457GT	STARTER, PERKINS, 404D	1
9	231513GT	NUT,TL FLG,M6-1.0,DIN6927,10,Z	
10	237832GT	NUT,TL FLG,M8-1.25,DIN6927,10,ZAB	
11	826215GT	WASHER,FLAT,M5,DIN125,ZAB	
12	826214GT	NUT,TL,M5-0.8,DIN980,10,ZAB	
13	824090GT	SCREW,HHF,3/8-16X1,8,ZAG	
14	824029GT	NUT,TL FLG,3/8-16,G,ZAG	
15	111029GT	ALTERNATOR,65 AMP,PERKINS 404	
16	161611GT	FORMING, ENGINE MOUNT, PERKINS	1
17	824132GT	SCREW,HHF,M8-1.25X20,DIN6921,10.9,ZAB	1
18	60585GT	ISOLATOR,VIBRATION,M8 MALE/FEM	1
19	88990PGT	SHROUD,FAN PAINTED	
20	824220GT	SCREW,PHPM SEMS ET,10-24X.5,ZA	1
21	1253185GT	WASHER,FLAT,#10,USS,ZAG	
22	824079GT	SCREW,HHF,1/4-20X1,8,ZAG	
23	824027GT	NUT,TL FLG,1/4-20,G,ZAG	
24	54487PGT	GUARD,FAN,FORD/PERKINS,PAINTED	1
25	89953GT	FLATBAR,ALUM,THROTTLE LINKAGE	1
26	1258824GT	BOLT,SHS,8X12XM6-1.0,ISO7379,12.9,ZAB	
27	824144GT	WASHER,FLAT,M8,DIN125,ZAB	

501.1 Perkins 404D-22



Item	Part No.	Description	Qty.
28	1256455GT	NUT,TL,M6-1.0,DIN980,10,ZAB	
29	54579GT	HOSE,LOWER,RADIATOR,PERKINS	1
29-	22672GT	CLAMP,HOSE,1.75	
30	21130GT	CLEVIS YOKE-1/4-28,PLTD W/PIN	1
31	1257705GT	SCREW,HHC,M14-1.5X35,DIN961,10	
32	1257810GT	WASHER,FLAT,M14,DIN6916,HRD,ZAB	
33	88988PGT	FORMING,ENGINE MOUNT RH PAINTE	1
34	128984GT	DIPSTICK, STRAIGHT SHORT	1
34-	128985GT	DIPSTICK TUBE, STRAIGHT SH	1
35	72348GT	PUMP,LIFT(FUEL) PERKINS(54555)	1
		replaced 128989	
35-	77990GT	KIT,SEAL,3CC PUMP***	
36	1295334GT	TERM QC TAB - #8 RING, .250, 45 DEG, BRASS	
37	94762GT	OIL FILTER - PERKINS	1
38	77402GT	SOLENOID,THROTTLE ACTUATOR DSL	1
38-	21130GT	CLEVIS YOKE-1/4-28,PLTD W/PIN	
38-	89953GT	FLATBAR,ALUM,THROTTLE LINKAGE	
39	128588GT	FORMING,SOLENOID MOUNT	1
40	824080GT	SCREW, HHF, 1/4-20 X 1.25, 8, ZAG	
41	147826GT	SEPRTR/FLTR,FUEL DSL,15GPH,.30	1
		(replaced 75020, the filter is the same for both assemblies)	
41-	62433GT	FILTER,ELEMENT,30 MIC,75020	
		(included with filter assembly)	
41-	54437GT	HOSE END,BARB,1/4 MNPTX5/16,ST	
		(included with filter assembly)	
41-	54205GT	HOSE END,BARB,1/4 MNPTX5/16,90	
42	89771GT	HOUSING,PUMP MOUNT (54573)	1
42-	128022GT	KIT,FBA STYLE COUPLER,PERKINS	
		(includes 128003, 128024 (6 qty) and 128025)	
42-	128003GT	COUPLER,15 TOOTH,FBA,PERKINS**	1
42-	1251983GT	SCREW,HHF,M8-1.25X16,DIN6921,10.9,ZAB	6
42-	128025GT	GREASE,SERVICE PACKET	1
43	94889GT	FUEL FILTER ASSEMBLY	1

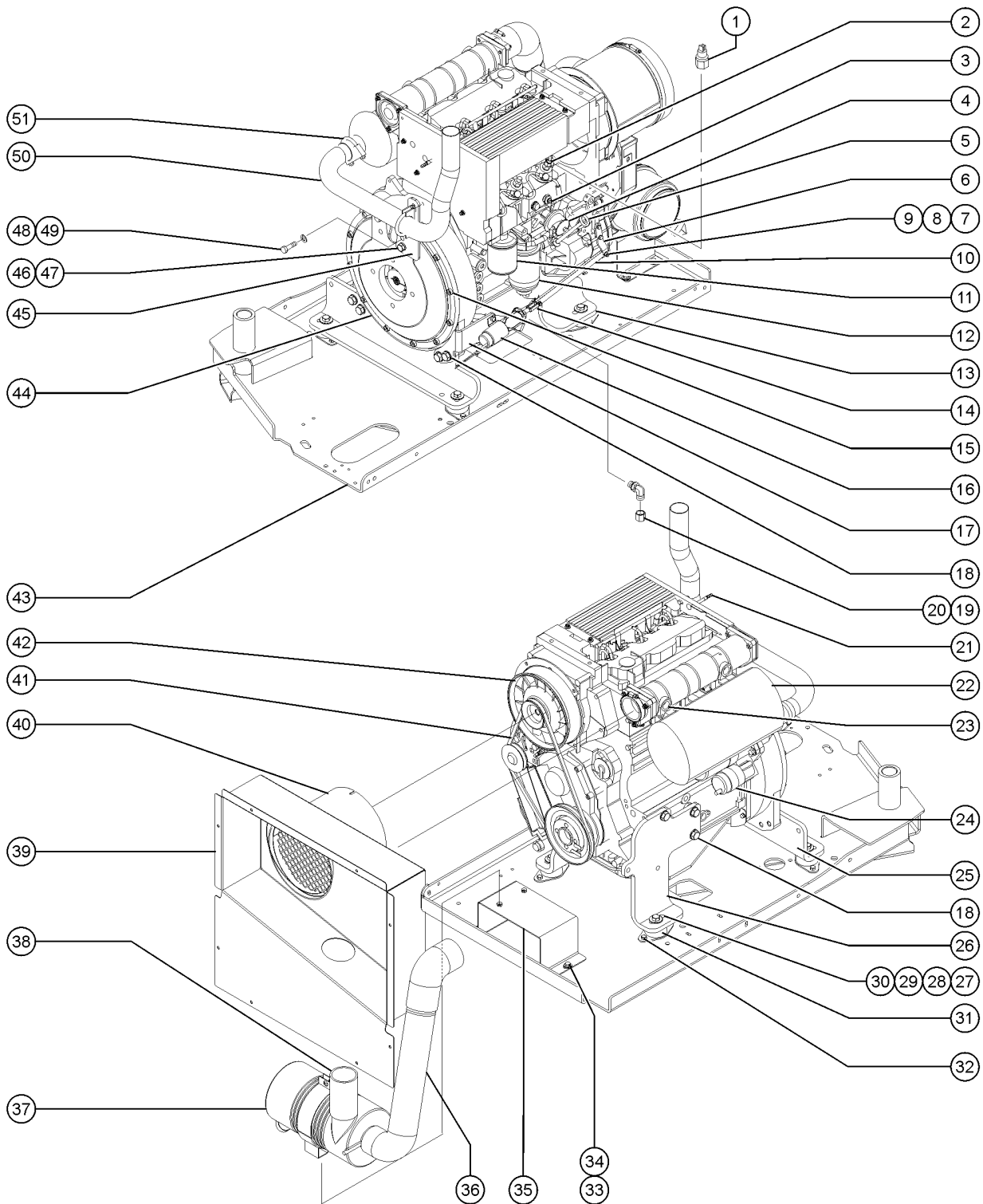
501.1 Perkins 404D-22



Item	Part No.	Description	Qty.
43-	62421GT	FILTER,FUEL,PERKINS	1
44	1257834GT	SCREW,HHF,M12-1.75X45,DIN6921,	
45	88841GT	MUFFLER,6"	1
45B	70298GT	MUFFLER,SPARK ARRESTOR	1
		spark arrestor option	
45C	70357GT	MUFFLER,CATALYTIC	1
		scrubber muffler option	
45D	822515GT	TAILPIPE, PERKINS, 404D	1
46	824028GT	NUT,TL FLG,5/16-18,G,ZAG	
47	824086GT	SCREW, HHF, 5/16-18 X 1, 8, ZAG	
48	88993GT	CLAMP,MUFFLER	2
49	88991PGT	FORMING,MUFFLER MOUNT PAINTED	1
50	65636GT	CAP, OIL FILLER	1
50-	65638GT	SEAL, OIL FILLER CAP	1
51	54578GT	HOSE,UPPER RADIATOR,PERKINS	1
51-	22672GT	CLAMP,HOSE,1.75	
52		Ref. Engine Tray Assembly	
		refer to 306.1	
53	110304GT	RADIATOR,FORD/PERKINS***	1
53-	77482GT	PULLEY, WATER PUMP	1
		sold separately	
53-	77483GT	FAN, ENGINE (104-22)(404-22)*	1
		sold separately	
53-	1252943GT	SPACER,FAN,PERKINS 404F	1
		sold separately	
53-	24038GT	SHOCK MOUNT,SMALL	4
		sold separately	
54	106003PGT	BAFFLE,PERKINS ENGINE PAINTED	1
55	65473GT	CAP,RADIATOR,PERKINS/FORD	1
56	88989PGT	FORMING,UPPER RAD SUPPORT PNTD	1



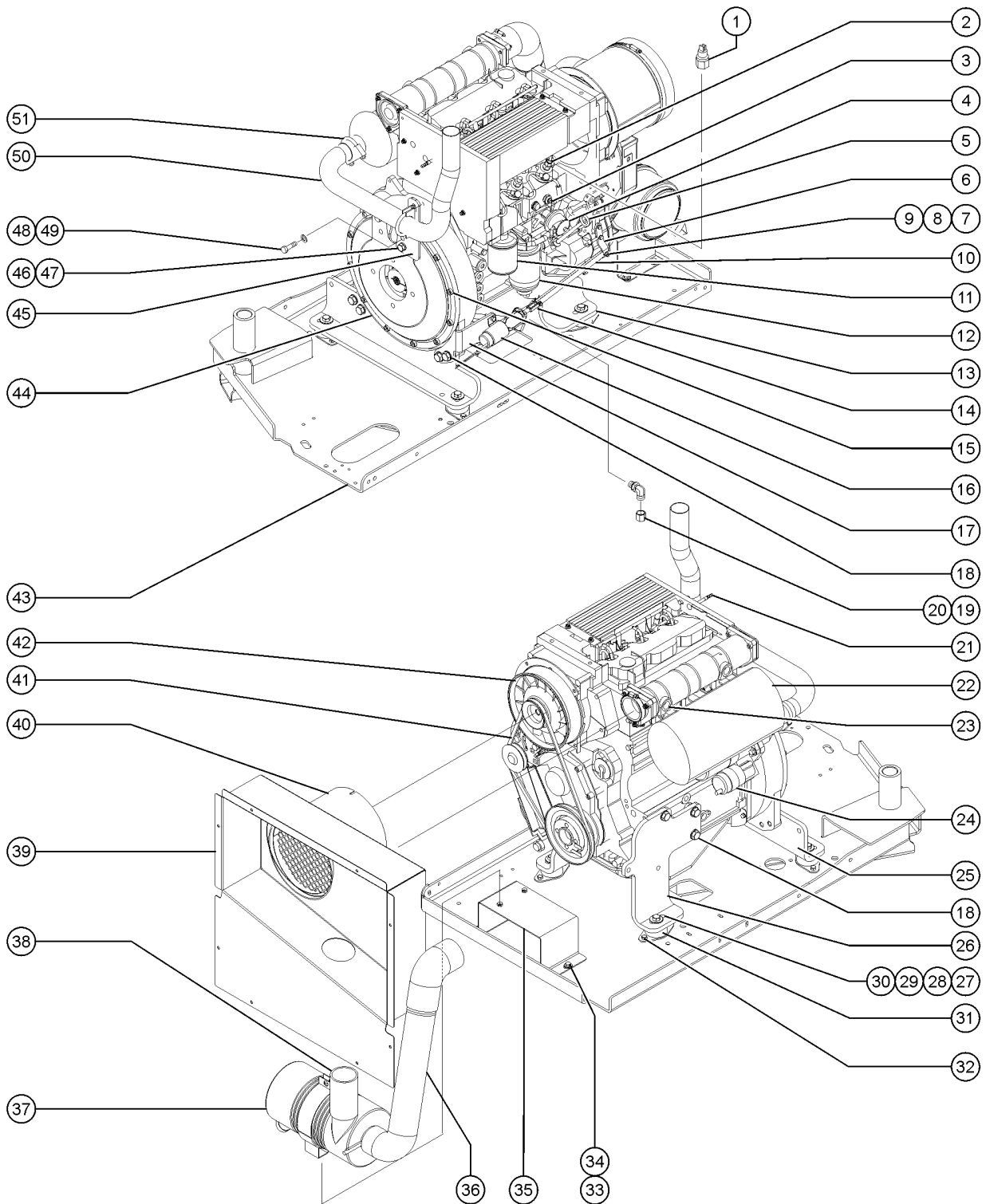
502.1 Deutz D2011L03i, View 1



Item	Part No.	Description	Qty.
-		For internal engine parts, contact engine dealer	
A-	139622GT	HEAT SHIELD,DEUTZ STARTER	
D-	T114678GT	SHUTDOWN SOLENOID,12V, DEUTZ (must order cable assembly, 58256, if replacing 32752) (includes o-ring)	1
E-	58256GT	SOLENOID CABLE ASSY***	
F-	72255GT	CONNECTOR, DEUTZ FUEL SHUTOFF* (does not include diode, 45782)	
G-	45782GT	DIODE,6 AMP,200 PIV,BULK	
1	111445GT	SENDING UNIT,OIL TEMP SWCH,DTZ	1
2	89792GT	INJECTOR, FUEL(DEUTZ F3L2011F)	2
2-	1288561GT	O-RING,FUEL INJECTOR,DEUTZ (89792) for 89792	
3	139666GT	KIT,OP SWITCH,DEUTZ (oil pressure kit for models with ALC-500 control system. includes item 139624 and instructions)	
3-	139624GT	SWITCH, OIL PRESSURE 1.5 BAR	1
4	111668GT	PUMP,FUEL 2011 DEUTZ ***	1
4-	27089GT	HOSE,5/16 FUEL,SAE 30R7	116
4-	119344GT	KIT,PRIMER BULB	
5	147243GT	DIPSTICK, OIL, D2011	1
6	50787-SGT	LEVER, GOVERNOR ACTUATOR	1
7	1257076GT	BOLT,SHS,1/4-28X4,ZAG	
8	825355GT	WASHER,FLAT,M6,DIN125,ZAB	
9	1256467GT	NUT,TL FLG,10-24,F,ZAG	
10	94485GT	THROTTLE LINKAGE,DIESEL***	1
11	49924GT	FILTER,OIL,DEUTZ F4L1011F Genie Genuine Part. See PN 1255653 for compatible aftermarket replacement.	1
11-	1255653GT	FILTER,OIL,DEUTZ,REPLACEMENT Genie Aftermarket Part. Compatible with Genie Genuine Part 49924.	1
12	29560GT	FILTER,FUEL/WTR SEP, DTZ 1008 Genie Genuine Part. See PN 1254826 for compatible aftermarket replacement.	1
12-	58566GT	FILTER HEAD (29560)	
12-	1254826GT	FUEL FILTER W/SEP,DEUTZ,1008 Genie Aftermarket Part. Filter for Deutz F3L 1011F Engine.	1
13	70460PGT	FORMING,ENGINE MOUNT,FR PAINT*	1
14	21130GT	CLEVIS YOKE-1/4-28,PLTD W/PIN	1
15	1255666GT	SCREW,SHC,M10-1.5X30,DIN912,12.9,ZAB	



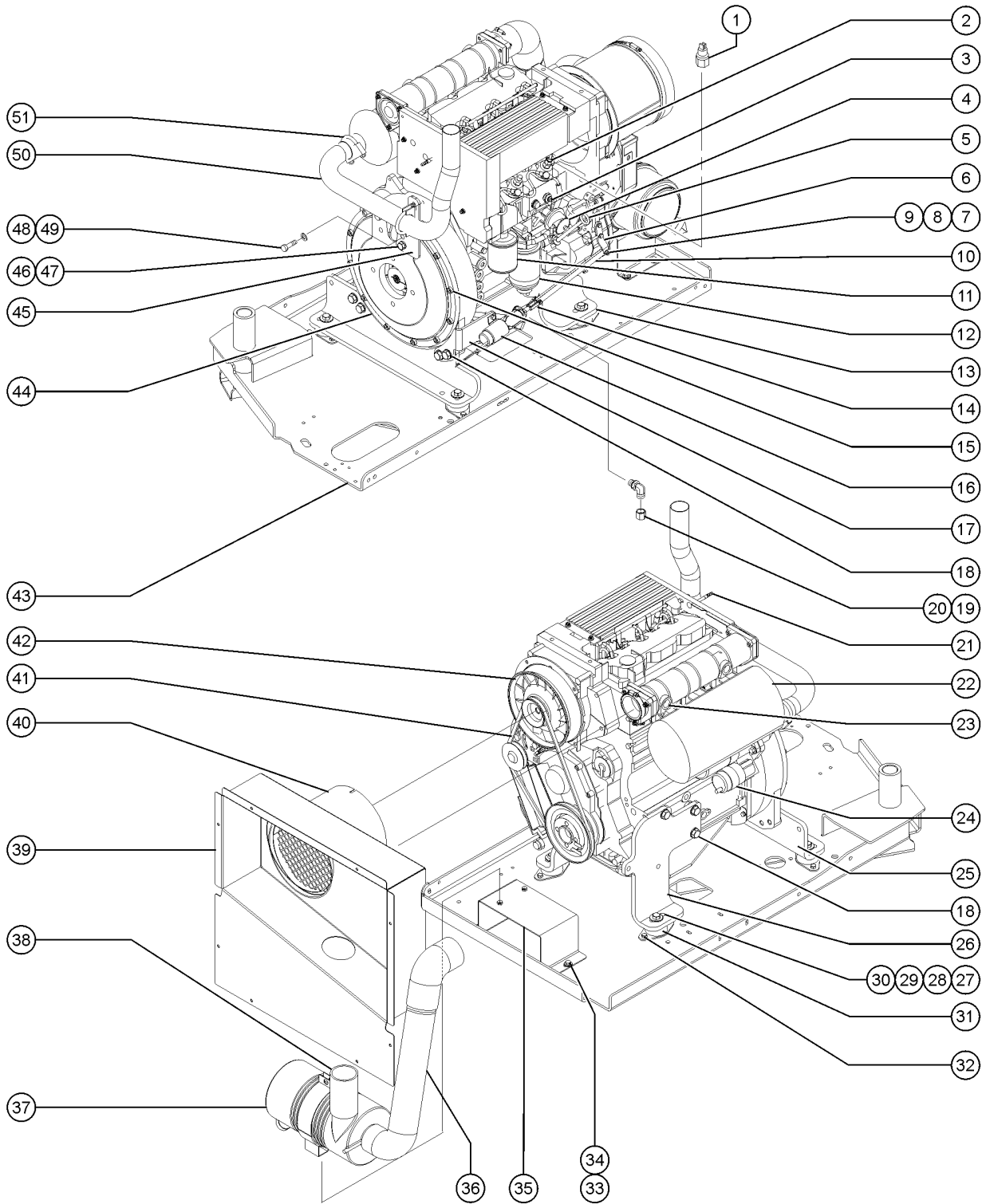
502.1 Deutz D2011L03i, View 1



Item	Part No.	Description	Qty.
16	77402GT	SOLENOID,THROTTLE ACTUATOR DSL	1
17	101129PGT	BRACKET,SOLENOID MOUNT PAINT	1
17B	77245PGT	BRACKET,SOLEN.MOUNT BRACE,PNTD	1
		(not shown)	
18	1256776GT	SCREW,HHF,M14-2.0X35,DIN6921,10.9,ZAB	
19	54428GT	FITTING,HYDRAULIC,90DEG,O-RING	1
20	69775GT	CAP,520112-8	1
21	147525GT	FITTING,BARBED,STRT,FUEL LINE	1
21-	147526GT	FITTING,BARBED,TEE,FUEL LINE	
		(not shown)	
21-	30490GT	HOSE,1/4 FUEL LINE,SAE 30R7	127
22	32695GT	MUFFLER,DEUTZ	1
22B	119117GT	MUFFLER,CAT/SPARK,DEUTZ	
		(Option - spark arresst)	
22C	29559GT	GASKET,EXHAUST	3
		for 119117, 3 required	
23	31408GT	GLOW PLUG,L1011	1
24	139709GT	STARTER, 12V	1
		with solenoid	
24-	139621GT	KIT, HEAT GUARD, DEUTZ STARTER	
		(includes sheild 139622 and bolt 139623)	
24-	139622GT	HEAT SHIELD,DEUTZ STARTER	
24-	139623GT	BOLT, GUARD, DEUTZ STARTER	
25	70459PGT	FORMING,REAR ENGINE MOUNT PNT*	1
26	70461PGT	FORMING,ENGINE MOUNT,FL PAINT*	1
27	1295334GT	TERM QC TAB - #8 RING, .250, 45 DEG, BRASS	
28	1255760GT	WASHER,FLAT,1/2,USS,ZAG	
29	1256283GT	WASHER,FLAT,.5X2.25X.188,ZAG	
30	1251997GT	NUT,TL FLG,1/2-13,G,ZAG	
31	70452GT	ISOLATOR,ENGINE VIBRATION***	4
32	824090GT	SCREW,HHF,3/8-16X1,8,ZAG	
33	824086GT	SCREW, HHF, 5/16-18 X 1, 8, ZAG	
34	1255805GT	NUT,SERRATED,5/16-18,8,ZAG	
35	70351PGT	FORMING,AIR CLEANER MOUNT PNTD	1



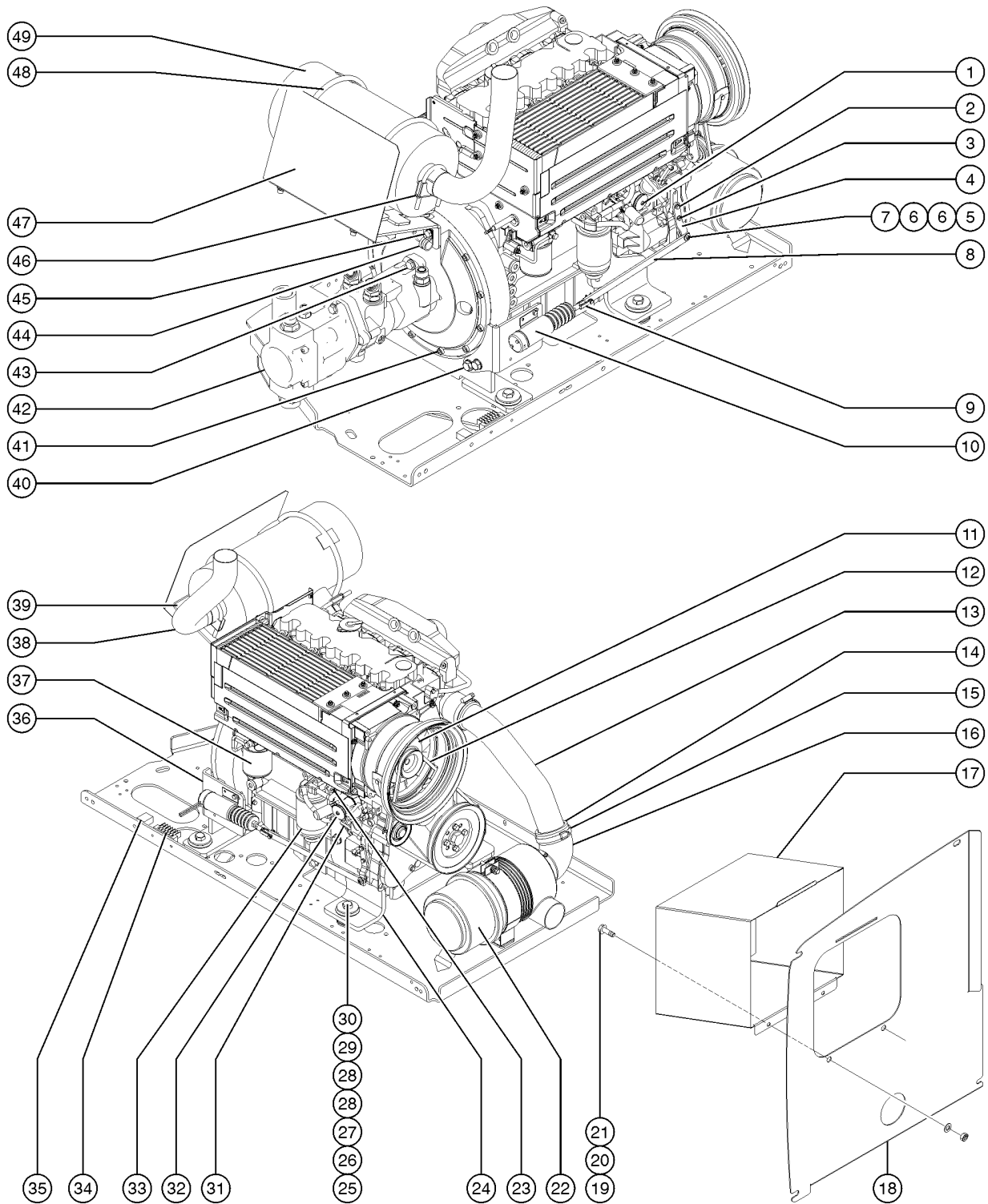
502.1 Deutz D2011L03i, View 1



Item	Part No.	Description	Qty.
36	70375GT	HOSE,AIR CLEANER	1
37	63463GT	AIR CLEANER,NELSON	1
37-	58415GT	CLIP,AIR CLEANER END CAP*** end cap not available separately	
37-	62420GT	FILTER,AIR***	
37-	65810GT	BAFFLE, AIR CLEANER (27915)**	
37-	52866GT	EVACUATOR VALVE-AIR CLEANER	
37-	53952GT	BRKT,AIR CLEANER ORIENTATION**	
38	101006GT	TUBE,AIR CLEANER INLET	1
38-	30971GT	CLAMP,HOSE,3.00"	2
39	70494PGT	FORMING,DEUTZ AIR INTAKE BAF P	1
40	101140P-SGT	AIR INTAKE TUBE ASSY	1
40-	33239GT	SHEET,RUBBER,AIR INTAKE	
40-	31523GT	CLAMP, FAN GUARD, DEUTZ F4L1011	
41	32698GT	BELT,V, DEUTZ DIESEL ENGINE	1
42	35586GT	ALTERNATOR, DEUTZ F3L10/F4L10*	1
43		Ref: Engine Tray	
		refer to 306.1	
44	70381GT	COVER, FLYWHEEL CASTING	1
44-	128023GT	KIT,FBA STYLE COUPLER,SAE8	
45	70472PGT	FORMING,SOLENOID MOUNT PAINT	1
46	1257837GT	SCREW,HHC,M10-1.5X65,DIN931,10.9,ZAB	
47	824142GT	WASHER,LOCK,M10,ZAB	
48	1257706GT	SCREW,HHC,M10-1.5X70,DIN931,10	2
49	824145GT	WASHER, FLAT, DIN125, M10, ZAB	
50	822693GT	TAILPIPE, DEUTZ, TPEM & ROW	1
51	70385GT	CLAMP,EXHAUST,2.00 PLATED	2

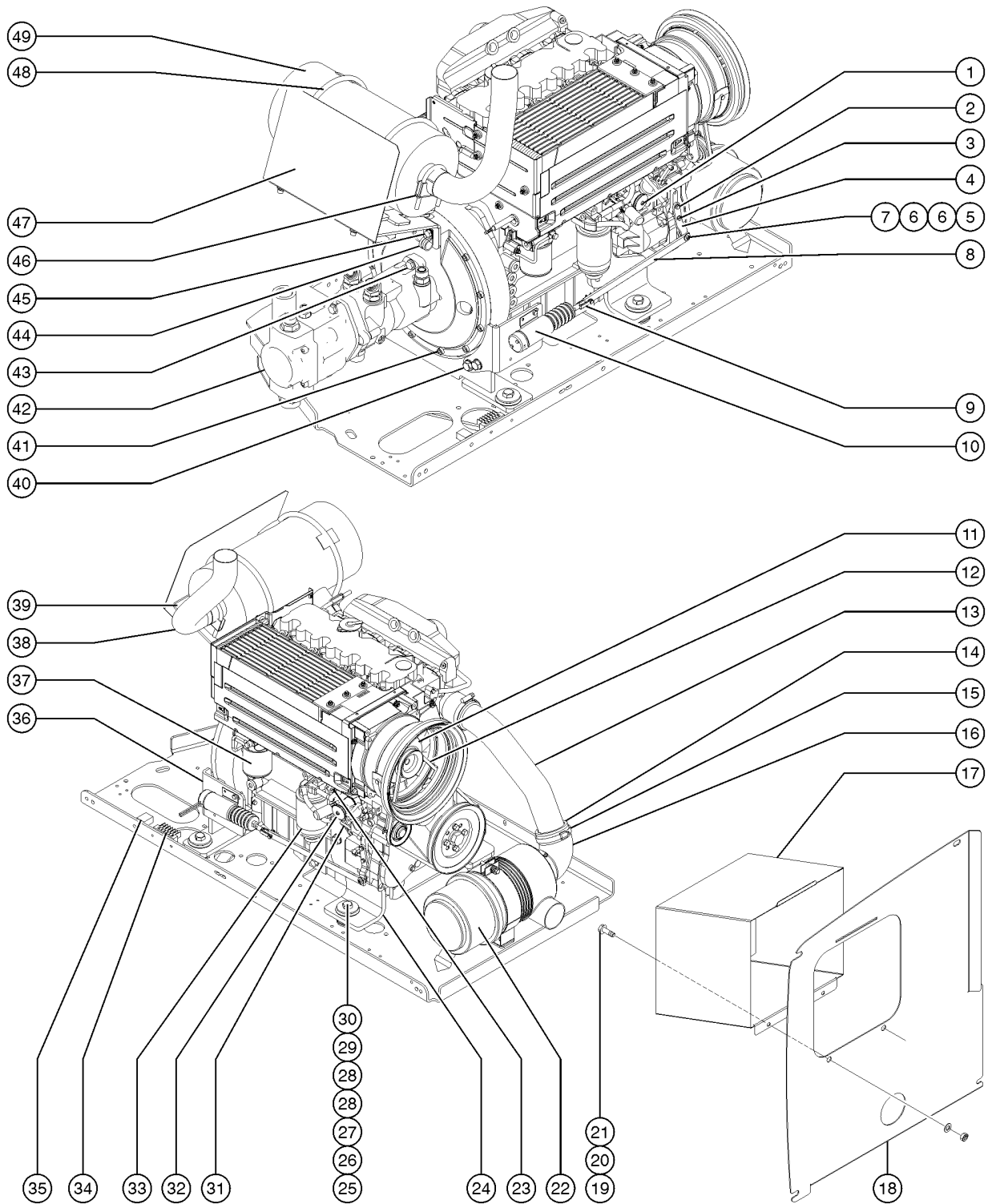


503.1 Deutz TD2011L04i, View 1



Item	Part No.	Description	Qty.
-		For internal engine parts, contact engine dealer	
B-	T114678GT	SHUTDOWN SOLENOID,12V, DEUTZ (includes o-ring)	1
C-	58256GT	SOLENOID CABLE ASSY***	
D-	72255GT	CONNECTOR, DEUTZ FUEL SHUTOFF* (does not include diode, 45782)	
E-	45782GT	DIODE,6 AMP,200 PIV,BULK	
1	111668GT	PUMP,FUEL 2011 DEUTZ ***	1
1-	27089GT	HOSE,5/16 FUEL,SAE 30R7	
1-	111402GT	O-RING, FUEL LIFT PUMP	
1-	30490GT	HOSE,1/4 FUEL LINE,SAE 30R7	
2	231532GT	SCREW,HHF,M6X20,DIN6921,10.9,Y	
3	237238GT	SCREW,HHF,M6-1.0X12,DIN6921,10	
4	50787-SGT	LEVER, GOVERNOR ACTUATOR	1
5	1257076GT	BOLT,SHS,1/4-28X4,ZAG	1
6	824113GT	WASHER,FLAT,1/4,USS,ZAG	2
7	1256467GT	NUT,TL FLG,10-24,F,ZAG	1
8	139322GT	THROTTLE LINKAGE, DSL	1
9	21130GT	CLEVIS YOKE-1/4-28,PLTD W/PIN includes clevis pin and cotter pin	1
10	89996GT	SOLENOID,21LB,3 WIRE,TROMB.***	1
11	58249GT	ALTERNATOR, DEUTZ,BF4L2011***	1
11-	1280590GT	PULLEY,ALTERNATOR,DEUTZ BF4L2011 for 58249	
11-	1280591GT	SPACER,ALT PULLEY,DEUTZ BF4L2011 for 58249	
12	58630GT	V-BELT, DEUTZ TD2011LOAI	1
13	102227GT	TUBE,AIR INTAKE	1
14	88064GT	REDUCER,3" TO 2.75"	1
15	30489GT	CLAMP,HOSE,3.50	4
16	139455GT	ELBOW,AIR INTAKE,RUBBER	
17	128896GT	WELDMENT, AIR INTAKE BOX	1
18	110183PGT	BAFFLE,AIR INTAKE S60 PAINTED	1

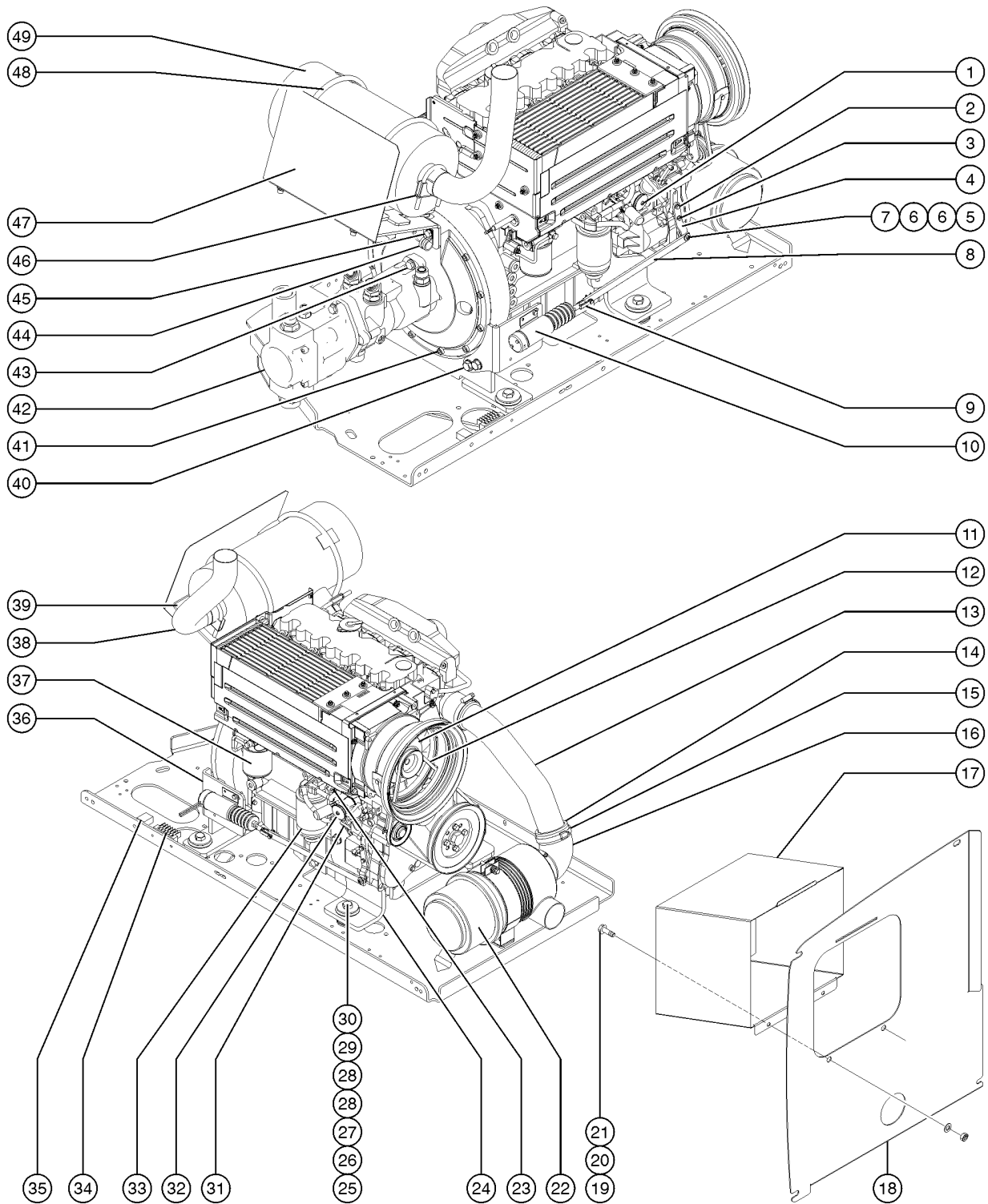
503.1 Deutz TD2011L04i, View 1



Item	Part No.	Description	Qty.
19	824089GT	SCREW,HHF,3/8-16X.75,8,ZAG	
20	1255758GT	WASHER,FLAT,3/8,USS,ZAG	
21	824025GT	NUT,TL,3/8-16,C,ZAG	
22	81467GT	AIR CLEANER,NELSON	1
22-	75450GT	AIR CLEANER CLIPS, SUPERBOOM for 81467	
22-	75451GT	AIR CLEANER COVER, SUPERBOOM* for 81467	
22-	52866GT	EVACUATOR VALVE-AIR CLEANER for 81467	
22-	62425GT	FILTER,AIR CLEANER, SUPERBOOM for 81467	
22-	81468GT	MOUNTING BAND,AIR CLEANER	
23	111445GT	SENDING UNIT,OIL TEMP SWCH,DTZ	1
24	70455GT	FORMING,ENGINE MOUNT	
25	1256167GT	FP,CAB TOP,RL4 BUTTE HNGE	
26	824123GT	WASHER,FLAT, .625X2.25X.188,ZAG	
27	102045GT	ISOLATOR,ENGINE VIBRATION	
28	1251565GT	WASHER,SHIM,1.56X2.5X.061,ZAG	
29	1256182GT	WASHER,FLAT,5/8,F436,HRD,ZAG	
30	1258049GT	NUT,TL,5/8-11,C,ZAG	
31	52352GT	DIPSTICK-F3L1011F (DEUTZ)	1
32	58299GT	SENDING UNIT,OIL PRESS.,DEUTZ*	1
33	29560GT	FILTER,FUEL/WTR SEP, DTZ 1008 Genie Genuine Part. See PN 1254826 for compatible aftermarket replacement.	1
33-	1254826GT	FUEL FILTER W/SEP,DEUTZ,1008 Genie Aftermarket Part. Filter for Deutz F3L 1011F Engine.	1
34	89997GT	RELAY MODULE(89996,89998)	1
35	128829GT	CIRCUIT BRKR 15A TYPE 2 METAL	1
36	139321GT	FORMING, SOLENOID MOUNT***	1
37	49924GT	FILTER,OIL,DEUTZ F4L1011F Genie Genuine Part. See PN 1255653 for compatible aftermarket replacement.	1
37-	1255653GT	FILTER,OIL,DEUTZ,REPLACEMENT Genie Aftermarket Part. Compatible with Genie Genuine Part 49924.	1
38	822514GT	TAILPIPE, DEUTZ,TPEM & ROW	1
39	70448PGT	FORMING,MUFFLER MOUNT	1

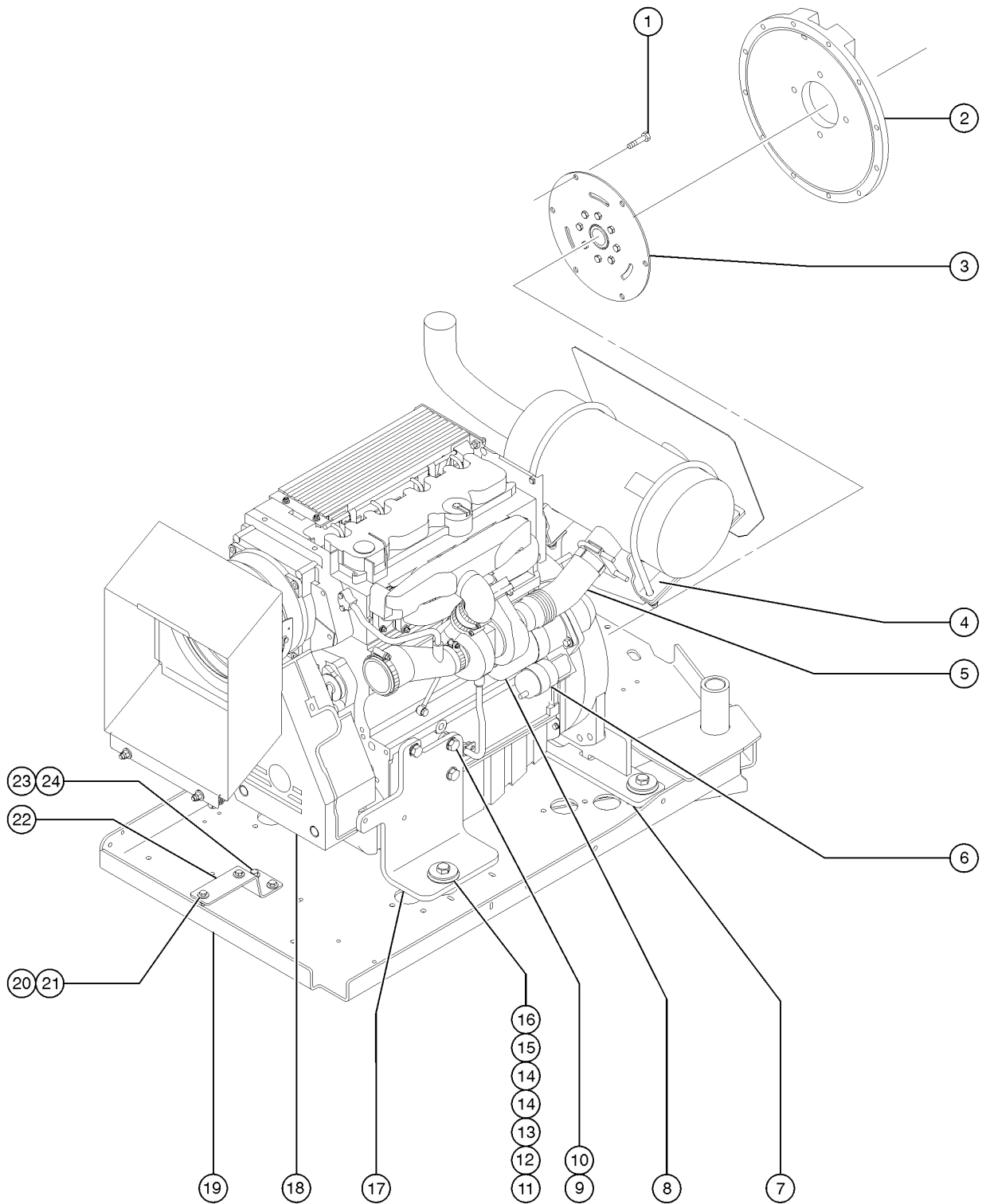


503.1 Deutz TD2011L04i, View 1



Item	Part No.	Description	Qty.
40	1251899GT	SCREW,HHF,M14-2.0 X 40,DIN 692	
41	1255666GT	SCREW,SHC,M10-1.5X30,DIN912,12.9,ZAB	
42		Ref: Pumps refer to section 405.1	
43	1253498GT	SCREW,HHF,1/2-13X1.5,8,ZAG	
44	60838GT	CLAMP,1.00,#16 X 7/16,RUB CUSH	1
45	238347GT	SCREW,HHF,M10-1.5X70,DIN6921,10.9,ZAB	
46	71911GT	CLAMP,MUFFLER, 2.50 INCH	2
47	102237PGT	FORMING,HEAT SHIELD,MUFFLER	1
48	70449GT	U-BOLT,1/2-13 X 8.5	2
49	70444GT	MUFFLER,2.5"INLET/OUTLET	1
49B	119117GT	MUFFLER,CAT/SPARK,DEUTZ spark arrest option	
49C	29559GT	GASKET,EXHAUST for 119117, 3 required	3

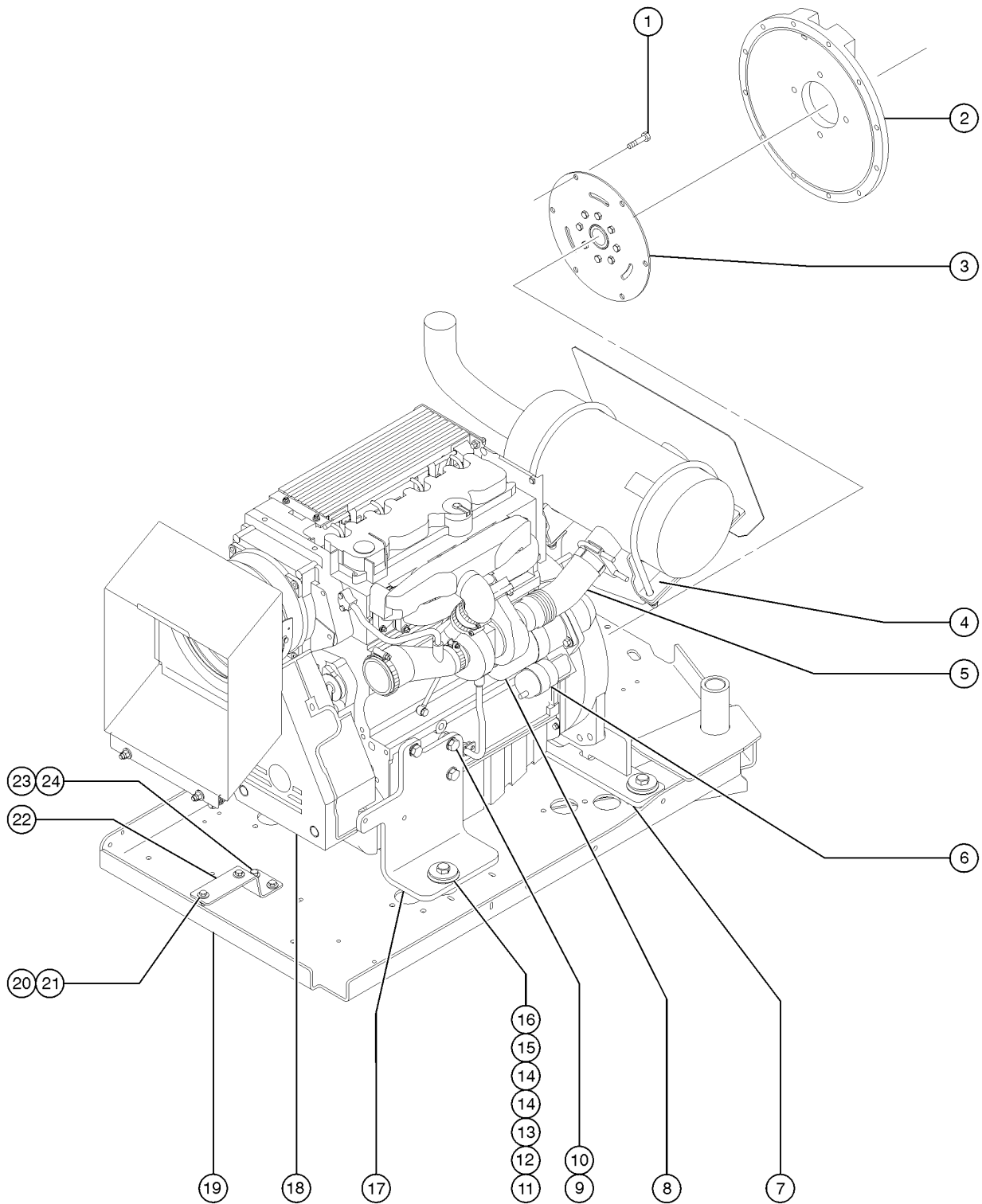
504.1 Deutz TD2011L04i, View 2



Item	Part No.	Description	Qty.
-		For internal engine parts, contact engine dealer	
A-	102581GT	PUMP,FUEL INJ,DEUTZ BF4L20 class A injection pump; provide SN of engine to service to get correct injection pump (A, B, C, D)	
B-	T108732GT	PUMP,FUEL INJ,DEUTZ BF4L20 class B injection pump; provide SN of engine to service to get correct injection pump (A, B, C, D)	
C-	T108733GT	PUMP,FUEL INJ,DEUTZ BF4L20 class C injection pump; provide SN of engine to service to get correct injection pump (A, B, C, D)	
D-	T108734GT	PUMP,FUEL INJ,DEUTZ BF4L20 class D injection pump; provide SN of engine to service to get correct injection pump (A, B, C, D)	
1	825351GT	SCREW,HHC,M10-1.5X20,DIN933,10.9,ZAB	
2	70381GT	COVER, FLYWHEEL CASTING	1
3	128004GT	COUPLER, 15 TOOTH, FBA, SAE 8	
4	70483GT	FORMING,8.5' MUFFLER MOUNT	1
5	70445GT	FLEX PIPE,EXHAUST,2.5" DIA	1
5B	71911GT	CLAMP,MUFFLER, 2.50 INCH	
5B	139983GT	EXHAUST PIPE GASKET	
6	49915GT	SOLENOID-STARTR DEUTZF4L1011F*	1
7	160517GT	FORMING,ENGINE MOUNT,DEUTZ	1
8	139709GT	STARTER, 12V	1
9	22558GT	SCREW,HHC,M14 X 40MM,GR 8.8	
10	49411GT	WASHER,FLAT,M14	
11	13003GT	SCREW,HHC,5/8-11 X 3.5 GRD.8	4
12	33418GT	WASHER,FLAT,.625 X 2.25 X3/16	
13	102045GT	ISOLATOR,ENGINE VIBRATION	4
14	18596GT	WASHER,FLAT,1.56 X 2.5 X .061	
15	13064GT	WASHER,FLAT,.625 HARDENED	4
16	6024GT	NUT,NYLOCK,5/8-11	
17	70454PGT	FORMING,ENGINE MOUNT PAINTED	1
18	146061GT	V-BELT GUARD, DEUTZ 2011	1
19		Ref: Engine Tray with Bearing refer to section 306.1	
20	824086GT	SCREW, HHF, 5/16-18 X 1, 8, ZAG	

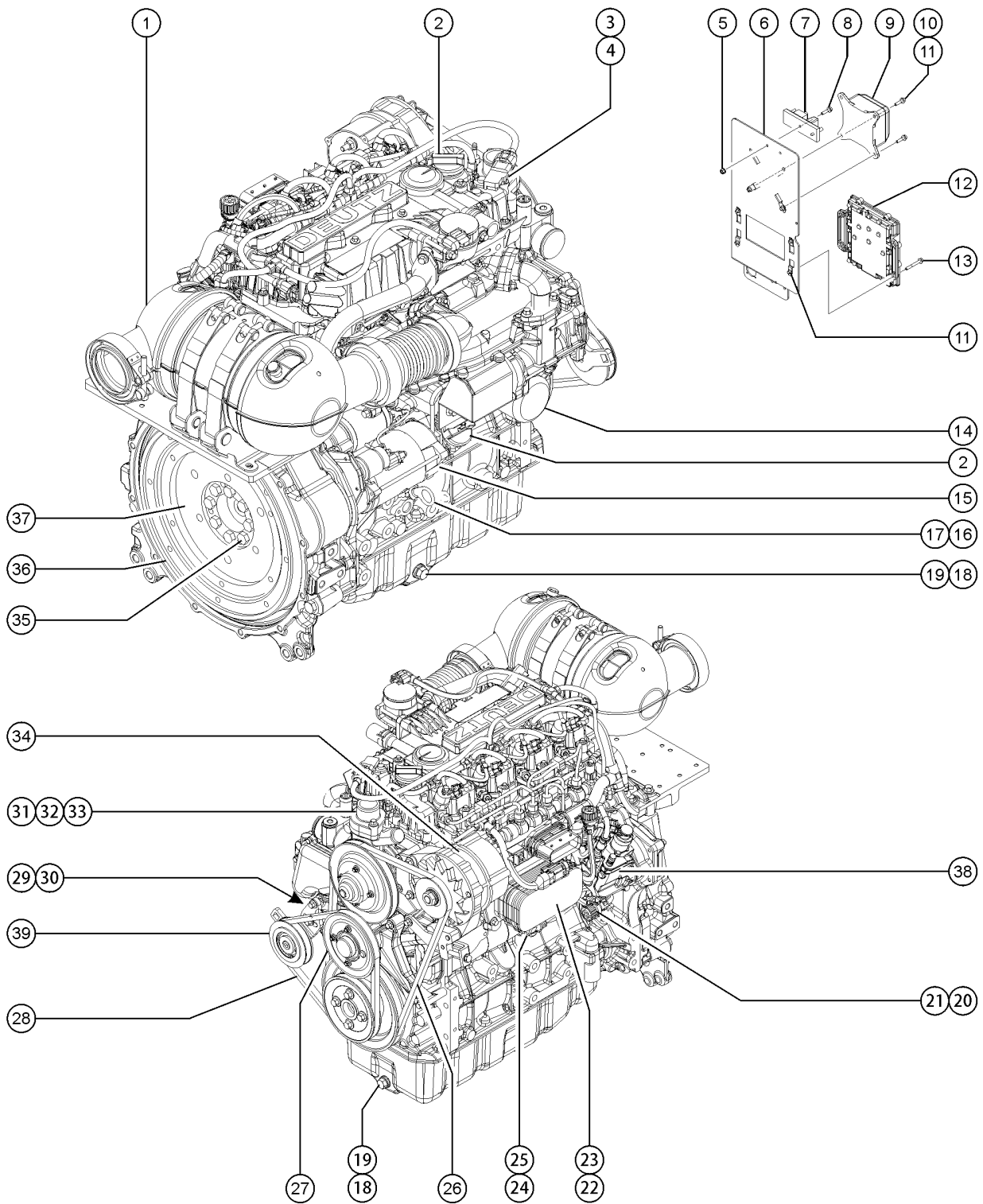


504.1 Deutz TD2011L04i, View 2



<i>Item</i>	<i>Part No.</i>	<i>Description</i>	<i>Qty.</i>
21	1255805GT	NUT,SERRATED,5/16-18,8,ZAG	
22	102209PGT	FORMING,AIR CLEANER MOUNT PNTD	1
23	824091GT	SCREW,HHF,3/8-16X1.25,8,ZAG	
24	824029GT	NUT,TL FLG,3/8-16,G,ZAG	

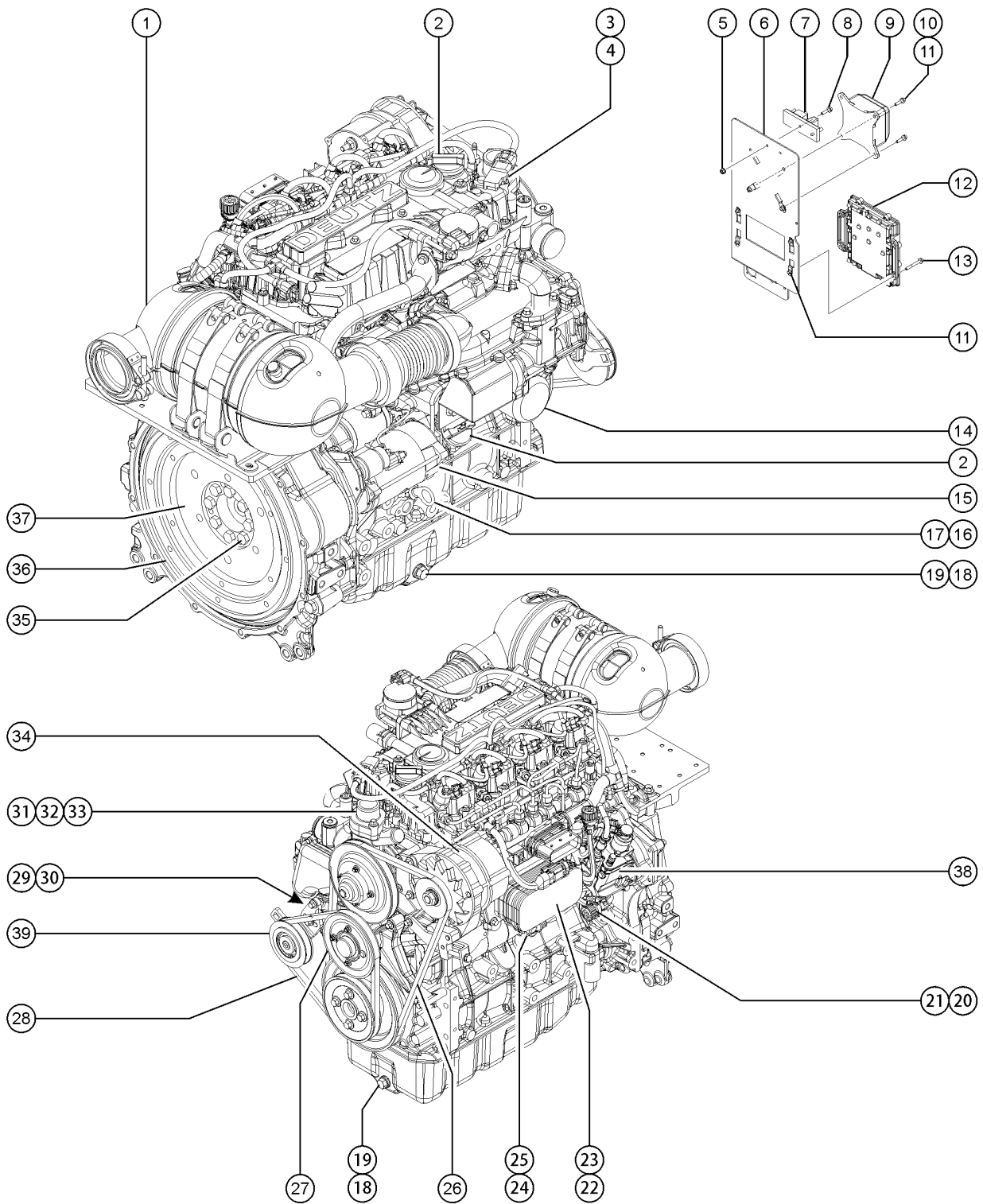
505.1 Deutz D2.9L4, View 1



Item	Part No.	Description	Qty.
A	237188GT	ENGINE KIT, DEUTZ D2.9L4 Due to Tier 4 regulations, many engine replacement parts require the engine serial number at time of order placement. When ordering engine parts please have both machine and engine serial numbers available. For internal engine parts, contact engine dealer	
B	1259717GT	MANUAL, DEUTZ D2.9 ENGINE	1
C	1262870GT	GLOW PLUG, DEUTZ	4
D	1262871GT	SEAL, FRONT ENGINE,DEUTZ	1
E	1262872GT	SEAL, REAR ENGINE,DEUTZ	1
F	1272624GT	KIT,WATER PUMP 2.9 L4 includes fasteners and 1262874 pump	1
F	1289895GT	WASHER,WATER PUMP (1272624) for 1272624	
G	1262875GT	O-RING, WATER PUMP	1
G-	1259654GT	INTAKE BREATHER	1
H	1277974GT	PINS,CONNECTOR,INJ HARNESS,D2.9	1
1	1262890GT	OXIDATION CATALYST,DEUTZ (diesel oxygen catalyst/muffler)(contact Genie Parts; engine serial number required)	
2	29557GT	CAP,OIL FILLER,DEUTZ,DIESEL ***	2
3	1262896GT	SENSOR,INTAKE AIR PRESSURE	1
4	1262897GT	O-RING, INTAKE AIR PRESSURE SENSOR	1
5	824027GT	NUT,TL FLG,1/4-20,G,ZAG	
6	1254654GT	MOUNT, DIESEL ECM	1
7	824023GT	RELAY, POWER & FUSE MODULE	1
7-	1251508GT	FUSE, FMX, 60AMP	
7-	1251509GT	COVER,PRM FUSE SERVICE PART	
8	1253485GT	SCREW,HHF,1/4-20X2,8,ZAG	
9	822781GT	MODULE,FUSE&RELAY,DEUTZ 2.9	1
10	824079GT	SCREW,HHF,1/4-20X1,8,ZAG	
11	56912GT	SPRING CLIP,1/4-20,.025-.15X.5	
12	214795GT	ECM, DEUTZ need engine SN to program	1
13	824080GT	SCREW, HHF, 1/4-20 X 1.25, 8, ZAG	
14	49924GT	FILTER,OIL,DEUTZ F4L1011F	1
15	1254594GT	STARTER,3.2KW,DEUTZ D2.9	1

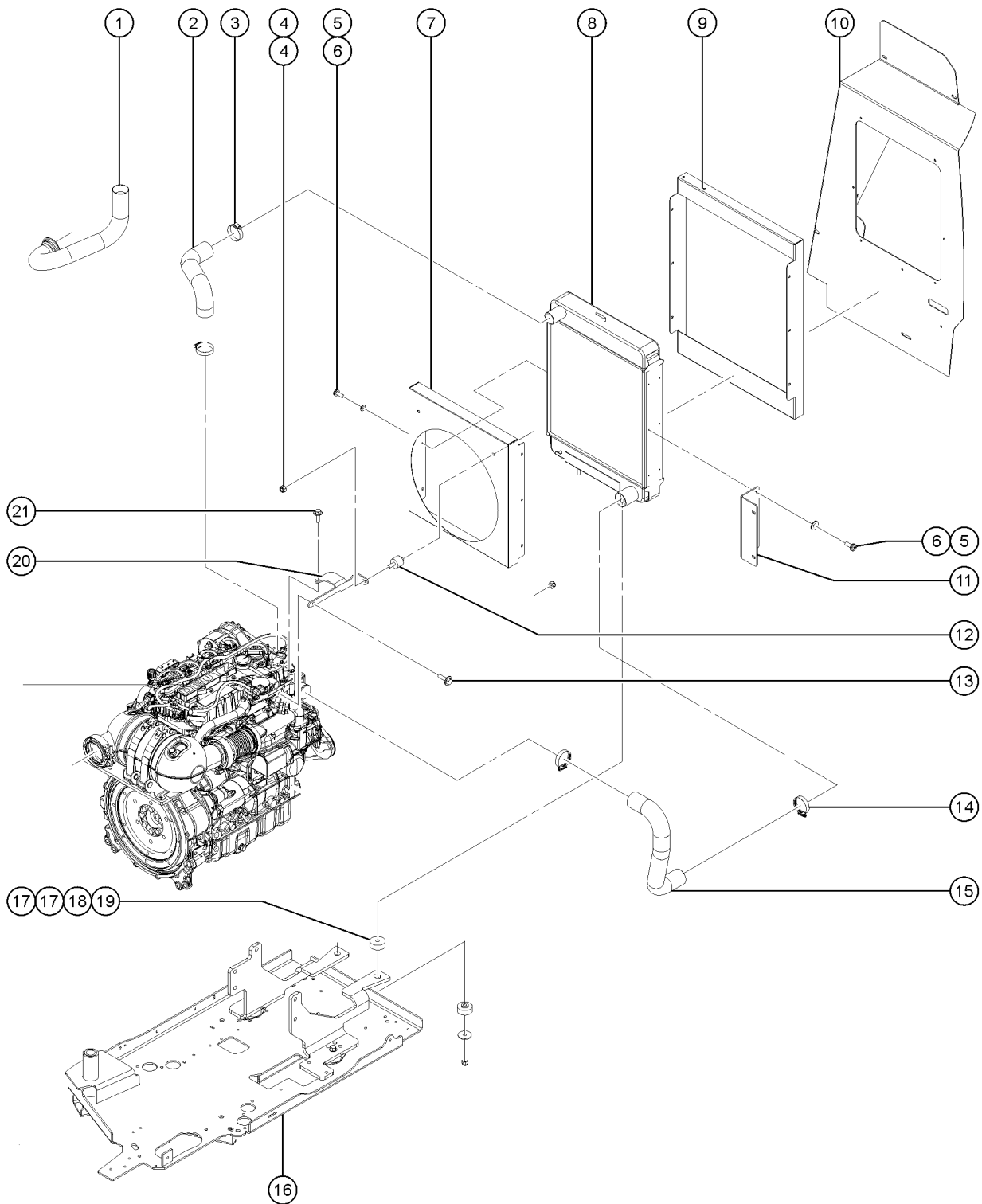


505.1 Deutz D2.9L4, View 1



Item	Part No.	Description	Qty.
15-	1262868GT	BOLT, DEUTZ STARTER not included sold seperately	
16	825708GT	DIPSTICK,TD2.9	1
17	1262881GT	ORING, OIL DIP STICK	1
18	102587GT	PLUG,ENGINE OIL,DEUTZ F4L2011	2
19	108538GT	RING / SEALING	2
20	1262894GT	SENSOR,CAM/CRANKSHAFT POSITION (crankshaft)	1
21	1262895GT	O-RING, CRANKSHAFT POSITION SENSOR	1
22	1260357GT	OIL COOLER,TD2.9	1
23	1262883GT	GASKET, OIL COOLER, DEUTZ	1
24	824673GT	SENSOR,FUEL PRESSURE,DEUTZ 2.9L	1
25	1262893GT	O-RING, OIL PRESSURE SENSOR	1
26	1262866GT	FAN BELT, ALTERANTOR	1
27	236248GT	PULLEY ASSEMBLY,ALTERNATOR,TCD3.6	1
28	1262867GT	V-BELT, DEUTZ	1
29	1262894GT	SENSOR,CAM/CRANKSHAFT POSITION hidden from view (camshaft)	1
30	1262899GT	O-RING, CAMSHAFT POSITION SENSOR hidden from view	1
31	1262877GT	THERMOSTAT HOUSING	1
32	1262876GT	THERMOSTAT,DEUTZ	1
33	1262878GT	GASKET, THERMOSTAT HOUSING	1
34	236251GT	ALTERNATOR,95 AMP,DEUTZ	1
35	1262873GT	BOLT, DEUTZ FLYWHEEL	8
36	89785GT	RING GEAR,DEUTZ F3L2011F	1
37	1259660GT	FLYWHEEL, SAE 8/10 order with item #37, PN 1262873, qty 8	1
38	1279653GT	PUMP,FUEL,HI PRESS,DEUTZ TD2.9	1
39	1279631GT	PULLEY,BELT TENSIONER,D2.9L4	1

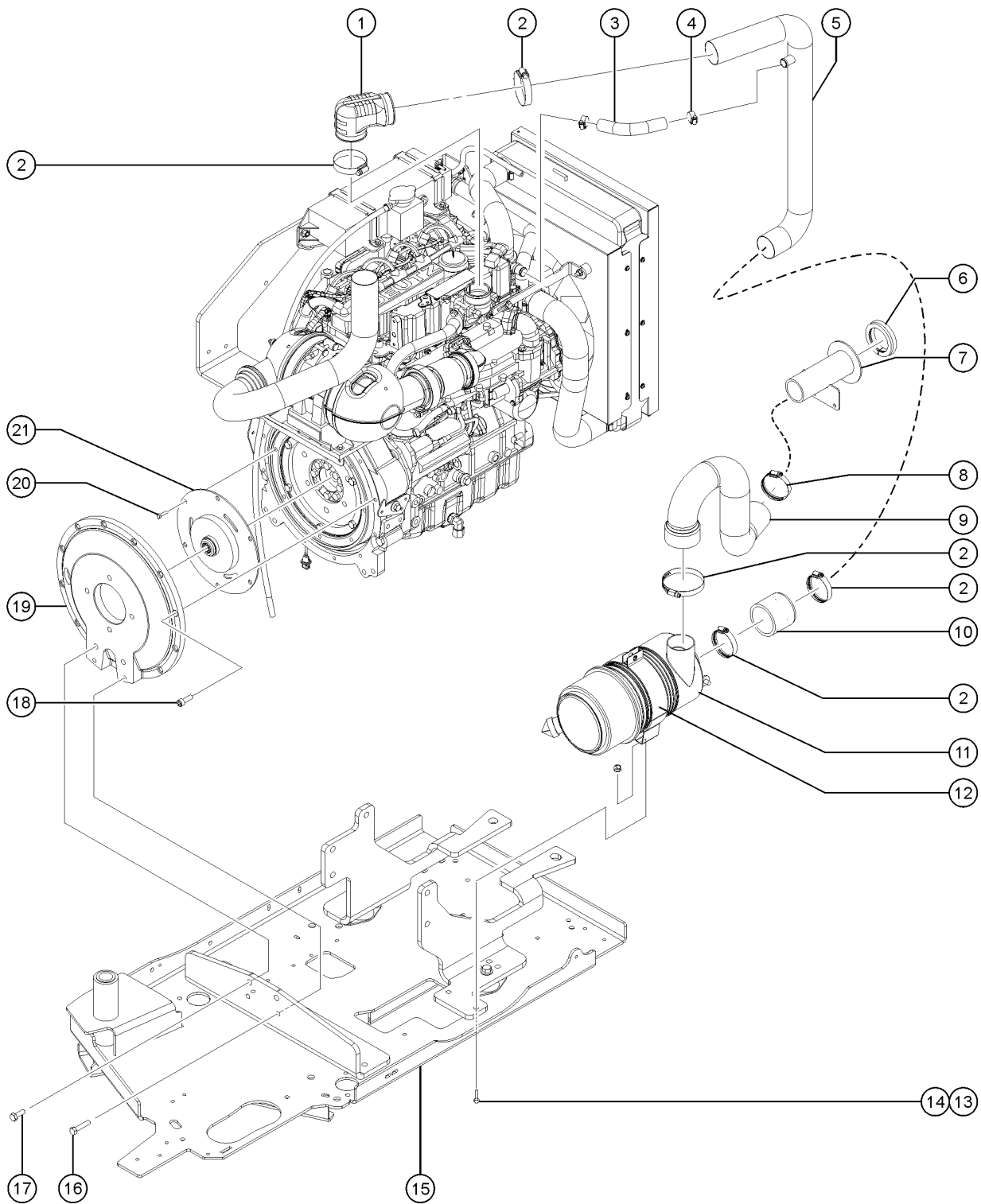
506.1 Deutz D2.9L4, View 2



Item	Part No.	Description	Qty.
-		Due to Tier 4 regulations, many engine replacement parts require the engine serial number at time of order placement. When ordering engine parts please have both machine and engine serial numbers available. For internal engine parts, contact engine dealer	
A	237188GT	ENGINE KIT, DEUTZ D2.9L4	
A-		Ref: Deutz 2.9DL4,Engine Harness refer to 308.1	1
1	1253203GT	WELDMENT, TAILPIPE, Z62 DEUTZ T4	1
2	237193GT	HOSE, UPPER RADIATOR, DEUTZ D2.9	1
3	22672GT	CLAMP, HOSE, 1.75	2
4	1255805GT	NUT, SERRATED, 5/16-18, 8, ZAG	
5	824220GT	SCREW, PHPM SEMS ET, 10-24X.5, ZA	
6	1253185GT	WASHER, FLAT, #10, USS, ZAG	
7	237192GT	FAN SHROUD, DEUTZ D2.9	1
8	214685GT	RADIATOR, CAPLESS, DEUTZ D 2.9	
9	235660GT	FORMING, RADIATOR SHROUD	1
10	1251850GT	FORMING, RADIATOR BAFFLE	1
11	217877GT	FORMING, CLEAN AIR BRACKET	1
12	219437GT	ISOLATOR, VIBRATION	1
13	1251983GT	SCREW, HHF, M8-1.25X16, DIN6921, 10.9, ZAB	
14	35434GT	CLAMP, HOSE, 2.00***	2
15	237194GT	HOSE, LOWER RADIATOR, DEUTZ D2.9	1
16	1289117GT	ASSY, ENGINE, TRAY	1
16-	1253827GT	WELDMENT, ENGINE TRAY	1
17	24038GT	SHOCK MOUNT, SMALL	2
18	824120GT	WASHER, FLAT, .375X1.50X.125, ZAG	1
19	824029GT	NUT, TL FLG, 3/8-16, G, ZAG	
20	214237GT	FORMING, RAD BRACE, DEUTZ D2.9	1
21	824132GT	SCREW, HHF, M8-1.25X20, DIN6921, 10.9, ZAB	



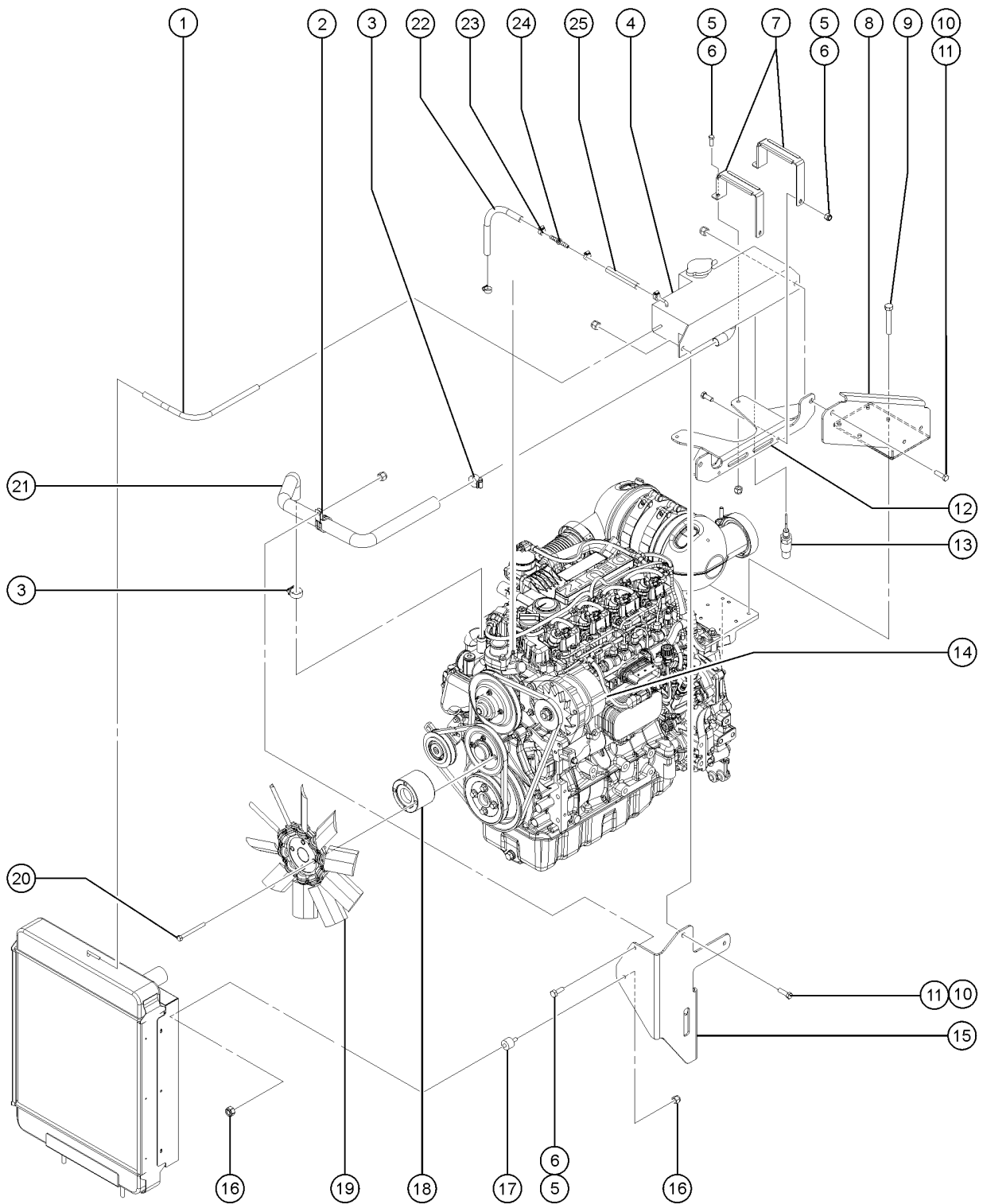
507.1 Deutz D2.9L4, View 3



Item	Part No.	Description	Qty.
Due to Tier 4 regulations, many engine replacement parts require the engine serial number at time of order placement. When ordering engine parts please have both machine and engine serial numbers available. For internal engine parts, contact engine dealer			
1	214686GT	AIR INTAKE ELBOW,90 DEGREE	1
2	45435GT	CLAMP,HOSE,2.50"	4
3	1255894GT	HOSE,PCV,DEUTZ D2.9	1
4	30348GT	CLAMP,HOSE,1.00	2
5	219976GT	WELDMENT,STEEL INTAKE TUBE	1
6	1262842GT	SEAL,AIR INTAKE ADAPTER,LOWER	1
7	822518GT	WDMT, ADAPTER, INTAKE	1
8	35434GT	CLAMP,HOSE,2.00***	2
9	217930GT	HOSE,RAW AIR,DEUTZ D2.9	
10	34162-300GT	HOSE,AIR INTAKE 2.50" ID	1
11	63463GT	AIR CLEANER,NELSON	1
11-	58415GT	CLIP,AIR CLEANER END CAP*** end cap not available separately	
11-	62420GT	FILTER,AIR***	
11-	65810GT	BAFFLE, AIR CLEANER (27915)**	
11-	52866GT	EVACUATOR VALVE-AIR CLEANER	
12	53952GT	BRKT,AIR CLEANER ORIENTATION**	1
13	824086GT	SCREW, HHF, 5/16-18 X 1, 8, ZAG	
14	824028GT	NUT,TL FLG,5/16-18,G,ZAG	
15	1289117GT	ASSY,ENGINE,TRAY	1
15-	1253827GT	WELDMENT, ENGINE TRAY	1
16	826008GT	SCREW,HHF,M10-1.5X75,DIN6921,10.9,ZAB	
17	1253498GT	SCREW,HHF,1/2-13X1.5,8,ZAG	
18	1255666GT	SCREW,SHC,M10-1.5X30,DIN912,12.9,ZAB	
19	70381GT	COVER, FLYWHEEL CASTING	1
20	1257421GT	SCREW,HHC,M10-1.5X16,DIN933,10	
21	128004GT	COUPLER, 15 TOOTH, FBA, SAE 8	1



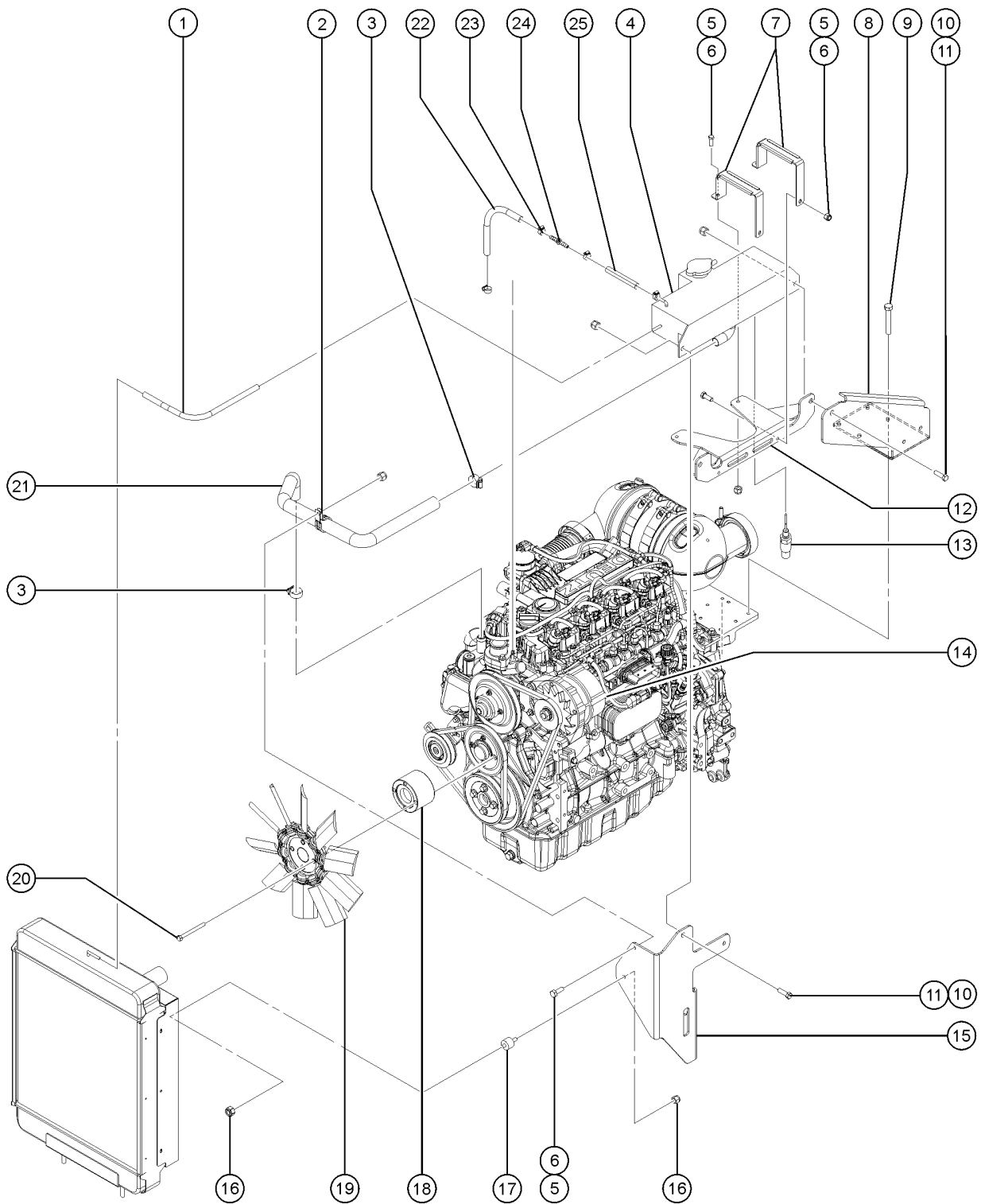
508.1 Deutz D2.9L4, View 4



Item	Part No.	Description	Qty.
	237188GT	ENGINE KIT, DEUTZ D2.9L4 Due to Tier 4 regulations, many engine replacement parts require the engine serial number at time of order placement. When ordering engine parts please have both machine and engine serial numbers available. For internal engine parts, contact engine dealer	
1	823523GT	HOSE,RADIATOR VENT,DEUTZ D2.9	1
2	119394GT	CLAMP,1.38,#212X3/8,RUB CUSH	1
3	30348GT	CLAMP,HOSE,1.00	2
4	161938GT	EXPANSION TANK,METAL,D2.9	1
4-	1274900GT	SIGHT GLASS for 161938	
4-	1254823GT	CAP,RADIATOR,PERKINS (94232) for 161938	
5	824078GT	SCREW,HHF,1/4-20X.75,8,ZAG	3
6	824027GT	NUT,TL FLG,1/4-20,G,ZAG	3
7	1253922GT	FORMING,EXP TANK BAND,D2.9	2
7-	1254452GT	EXTRUSION,RUBBER STRIP,LG,D2.9 for 1253922	2
7-	1254453GT	EXTRUSION,RUBBER STRIP,SM,D2.9 for 1253922	2
8	1255692GT	FORMING,EXPANSION TANK SUPT	1
9	824133GT	SCREW,HHF,M8-1.25X25,DIN6921,10.9,ZAB	1
10	824092GT	SCREW, HHF, 3/8-16 X 1.5, 8, ZAG	2
11	824029GT	NUT,TL FLG,3/8-16,G,ZAG	2
12	1254267GT	WDMT,EXPANSION TANK SUPT	1
13	218715GT	SENSOR,COOLANT LEVEL, DEUTZ	1
14	236251GT	ALTERNATOR,95 AMP,DEUTZ	1
15	214934GT	FORMING,RAD EXPSN TANK SUPT	1
16	1256679GT	NUT,SERRATED,1/4-20,8,ZAG	1
17	219437GT	ISOLATOR, VIBRATION	1
18	1256599GT	SPACER, FAN, DEUTZ, 29.5MM LNG	1
19	214682GT	FAN, 10 BLADE, 15"	1
20	1257231GT	SCREW,HHF,M8-1.25X50,DIN6921,1	4
21	1251731GT	HOSE,EXPANSION TANK,D2.9	1
22	824600GT	HOSE,HEATER,1/4" cut to 8.5 inches	9



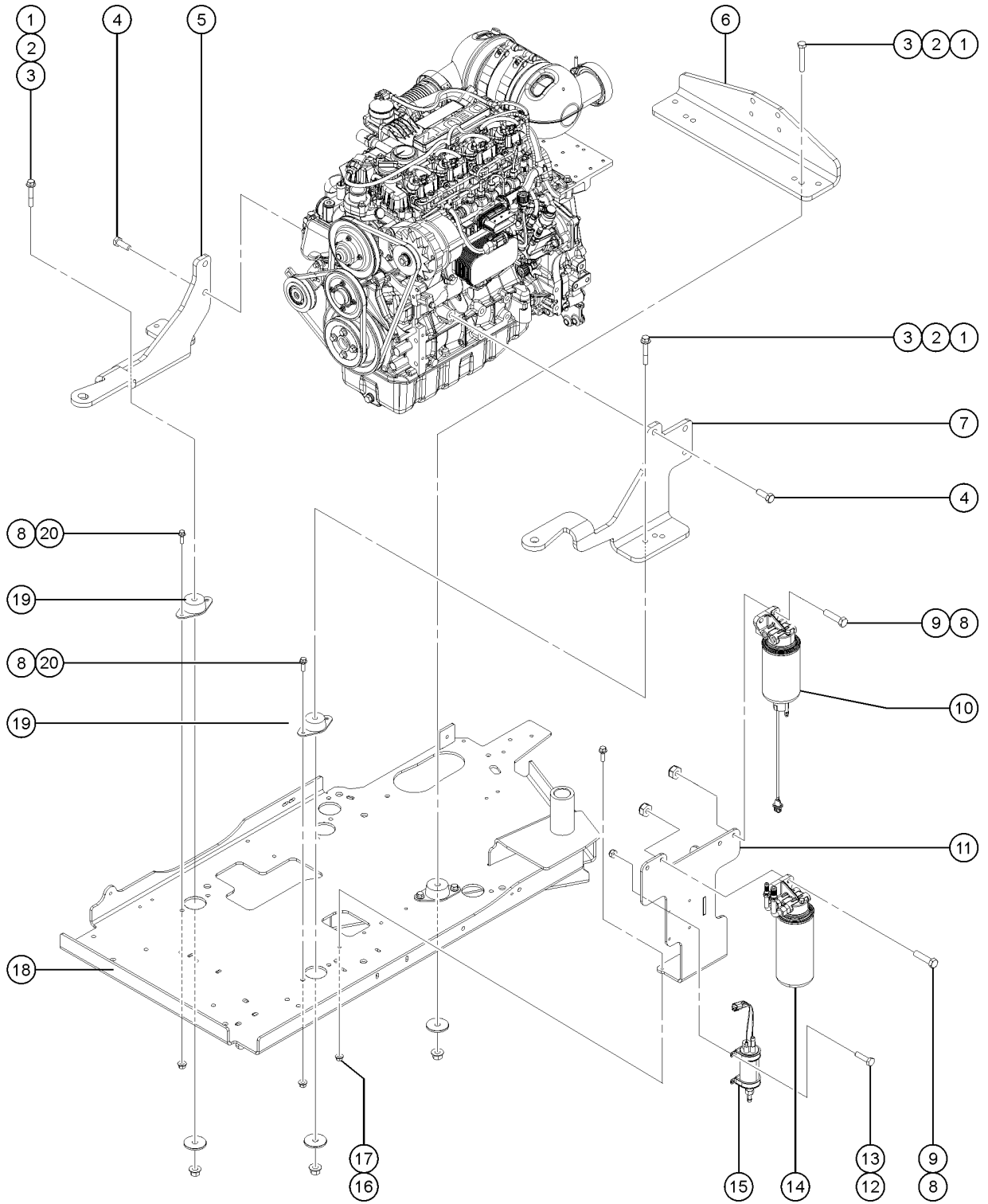
508.1 Deutz D2.9L4, View 4



<i>Item</i>	<i>Part No.</i>	<i>Description</i>	<i>Qty.</i>
23	21465GT	CLAMP,HOSE,.25" - .63" X .3125	4
24	1282119GT	2MM ORIFICE UNION, 1/4" HOSE	1
25	824600GT	HOSE,HEATER,1/4"	4
		cut to 3.5 inches	



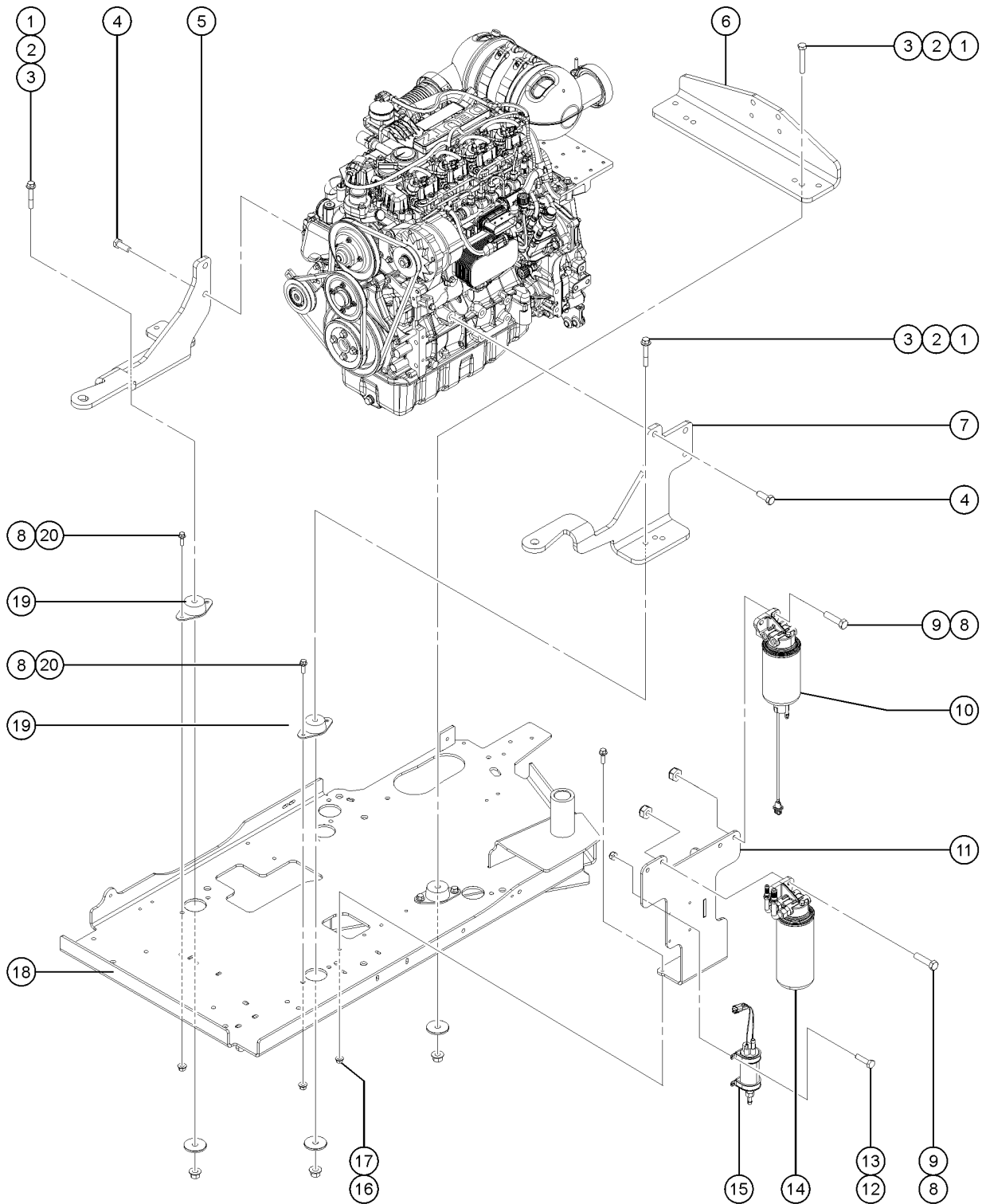
509.1 Deutz D2.9L4, View 5



Item	Part No.	Description	Qty.
-		Due to Tier 4 regulations, many engine replacement parts require the engine serial number at time of order placement. When ordering engine parts please have both machine and engine serial numbers available. For internal engine parts, contact engine dealer	
1	1295334GT	TERM QC TAB - #8 RING, .250, 45 DEG, BRASS	
2	1256283GT	WASHER,FLAT,,5X2.25X.188,ZAG	
3	1251997GT	NUT,TL FLG,1/2-13,G,ZAG	
4	1256776GT	SCREW,HHF,M14-2.0X35,DIN6921,10.9,ZAB	
5	237190GT	FORMING, RIGHT ENGINE MOUNT	1
6	237191GT	FORMING, REAR ENGINE MOUNT	1
7	237189GT	FORMING, LEFT ENGINE MOUNT	1
8	824091GT	SCREW,HHF,3/8-16X1.25,8,ZAG	
9	824029GT	NUT,TL FLG,3/8-16,G,ZAG	
10	236260GT	FILTER, FUEL PRE-FILTER, SPIN-ON, DEUTZ	1
10-	162209GT	FITTING,CONN,16MM-8MJ	2
10-	162207GT	FITTING,ELBOW,8GS-8FJX90S	2
11	1257961GT	WELDMENT, FUEL FILTER BRACKET	1
12	1251567GT	SCREW,PHPM SEMS ET,10-24X.75,ZAG	
13	1256467GT	NUT,TL FLG,10-24,F,ZAG	
14	214228GT	FILTER, DEUTZ 2.9, FUEL	1
14-	236260GT	FILTER, FUEL PRE-FILTER, SPIN-ON, DEUTZ	
14-	1261240GT	CABLE,WIF SENSOR,DEUTZ 2.9	
14-	162208GT	FITTING,CONN,16MM-6MJ	1
14-	162206GT	FITTING,ELBOW,6GS-6FJX90S	1
14-	162209GT	FITTING,CONN,16MM-8MJ	1
14-	162207GT	FITTING,ELBOW,8GS-8FJX90S	1
15	236259GT	LIFT PUMP,FUEL,DEUTZ	
16	824027GT	NUT,TL FLG,1/4-20,G,ZAG	
17	824079GT	SCREW,HHF,1/4-20X1,8,ZAG	
18	1289117GT	ASSY,ENGINE,TRAY	1

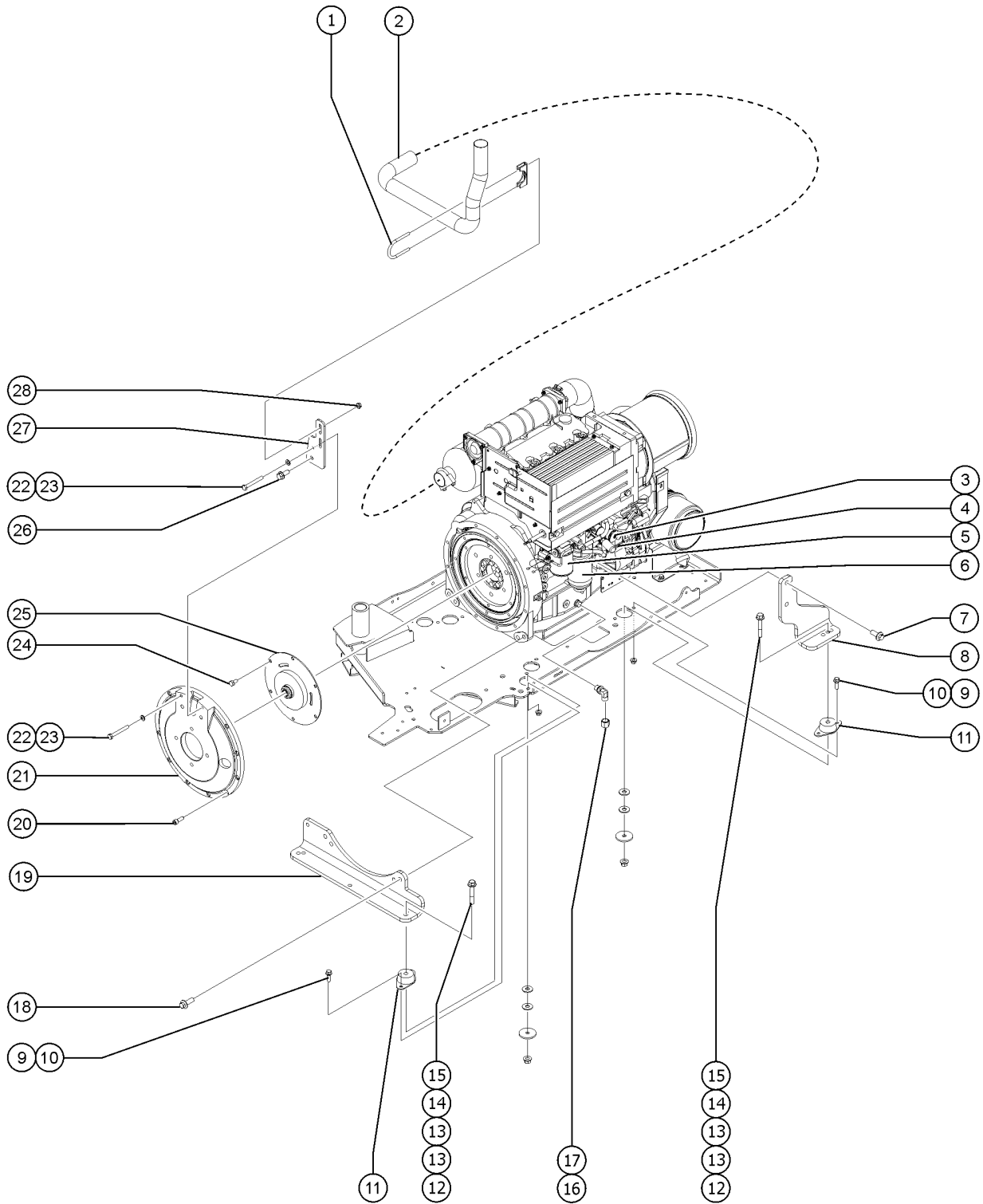


509.1 Deutz D2.9L4, View 5



<i>Item</i>	<i>Part No.</i>	<i>Description</i>	<i>Qty.</i>
18-	1253827GT	WELDMENT, ENGINE TRAY	1
19	70452GT	ISOLATOR,ENGINE VIBRATION***	4
20	824029GT	NUT,TL FLG,3/8-16,G,ZAG	

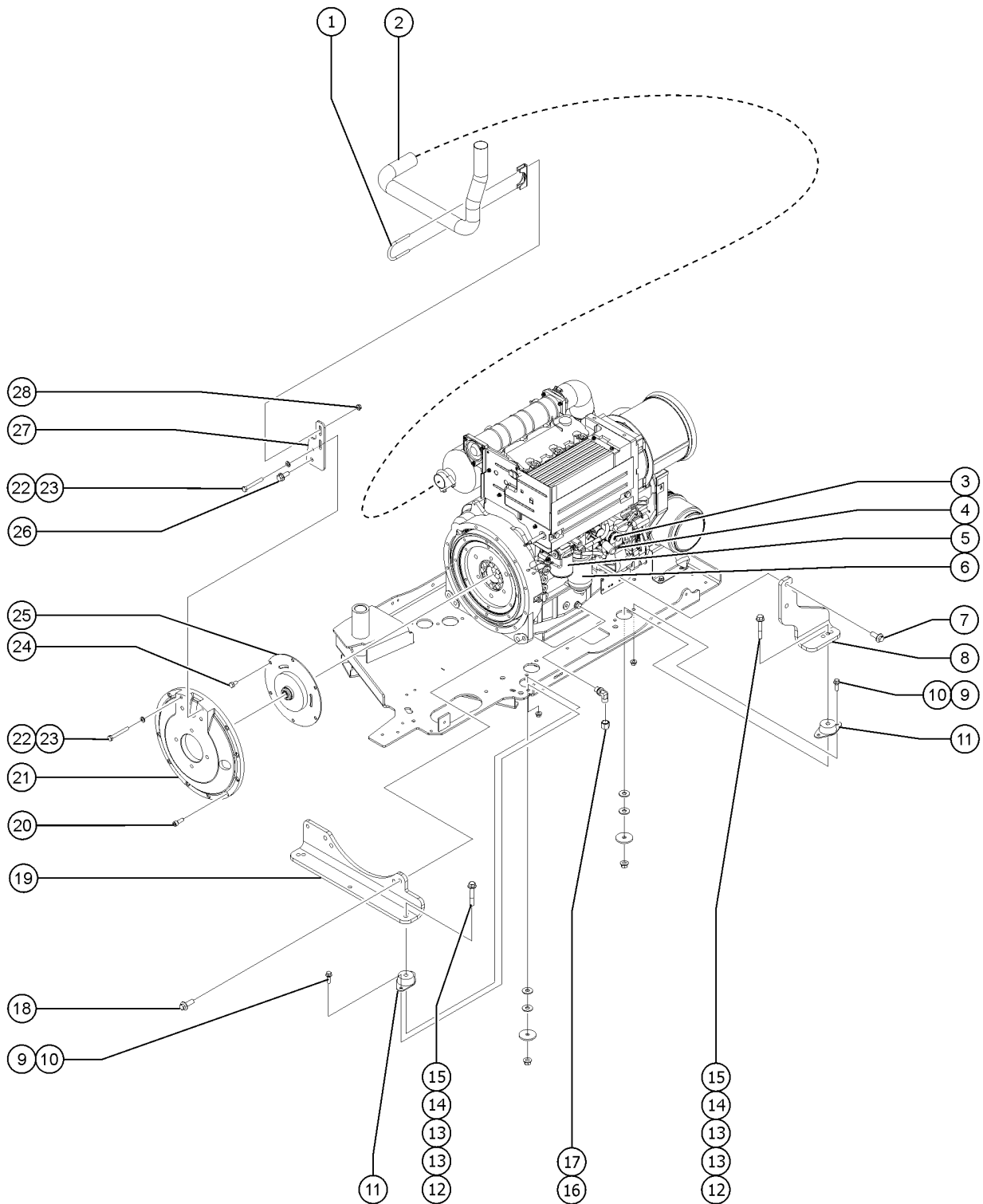
510.1 Deutz, D2011 CHINA III ,View 1



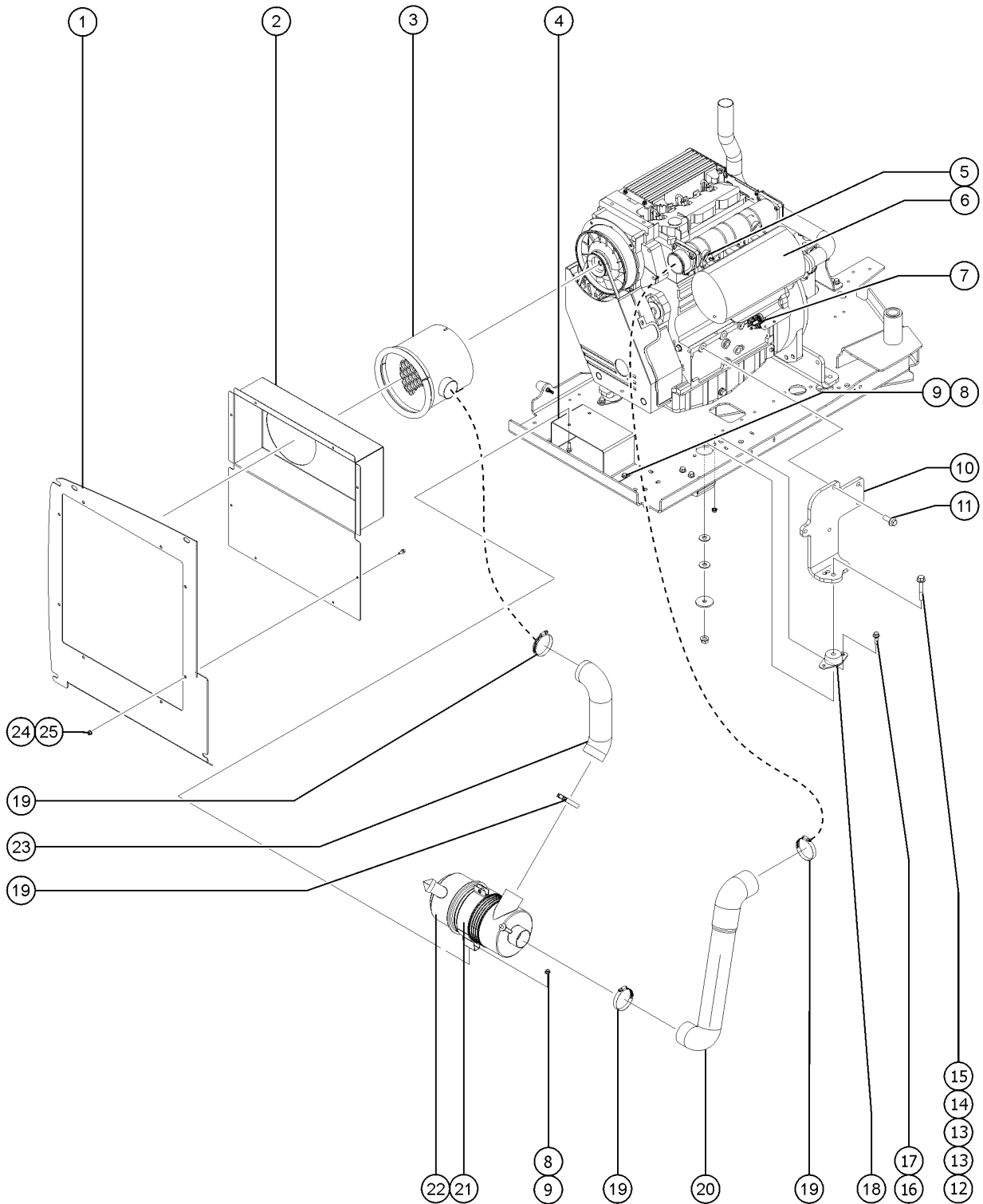
Item	Part No.	Description	Qty.
1	70385GT	CLAMP,EXHAUST,2.00 PLATED	1
2	822693GT	TAILPIPE, DEUTZ, TPEM & ROW	1
3	111668GT	PUMP,FUEL 2011 DEUTZ ***	1
3-	119344GT	KIT,PRIMER BULB	
3-	27089GT	HOSE,5/16 FUEL,SAE 30R7	11 6- in ches
4	147243GT	DIPSTICK, OIL, D2011	1
5	49924GT	FILTER,OIL,DEUTZ F4L1011F Genie Genuine Part. See PN 1255653 for compatible aftermarket replacement.	1
5-	1255653GT	FILTER,OIL,DEUTZ,REPLACEMENT Genie Aftermarket Part. Compatible with Genie Genuine Part 49924.	1
6	29560GT	FILTER,FUEL/WTR SEP, DTZ 1008 Genie Genuine Part. See PN 1254826 for compatible aftermarket replacement.	1
6-	1254826GT	FUEL FILTER W/SEP,DEUTZ,1008 Genie Aftermarket Part. Filter for Deutz F3L 1011F Engine.	1
6-	58566GT	FILTER HEAD (29560)	
7	1256776GT	SCREW,HHF,M14-2.0X35,DIN6921,10.9,ZAB	2
8	70460PGT	FORMING,ENGINE MOUNT,FR PAINT*	1
9	824091GT	SCREW,HHF,3/8-16X1.25,8,ZAG	6
10	824029GT	NUT,TL FLG,3/8-16,G,ZAG	6
11	70452GT	ISOLATOR,ENGINE VIBRATION***	3
12	1295334GT	TERM QC TAB - #8 RING, .250, 45 DEG, BRASS	3
13	1255760GT	WASHER,FLAT,1/2,USS,ZAG	6
14	1256283GT	WASHER,FLAT,.5X2.25X.188,ZAG	3
15	1251997GT	NUT,TL FLG,1/2-13,G,ZAG	3
16	69775GT	CAP,520112-8	1
17	54428GT	FITTING,HYDRAULIC,90DEG,O-RING	1
18	1251899GT	SCREW,HHF,M14-2.0 X 40,DIN 692	4
19	70459GT	FORMING,REAR ENGINE MOUNT PNT*	1
20	1255666GT	SCREW,SHC,M10-1.5X30,DIN912,12.9,ZAB	9
21	70381GT	COVER, FLYWHEEL CASTING	1
22	67631GT	SCREW,HHC,M10 X 80 GR 8.8	2



510.1 Deutz, D2011 CHINA III ,View 1

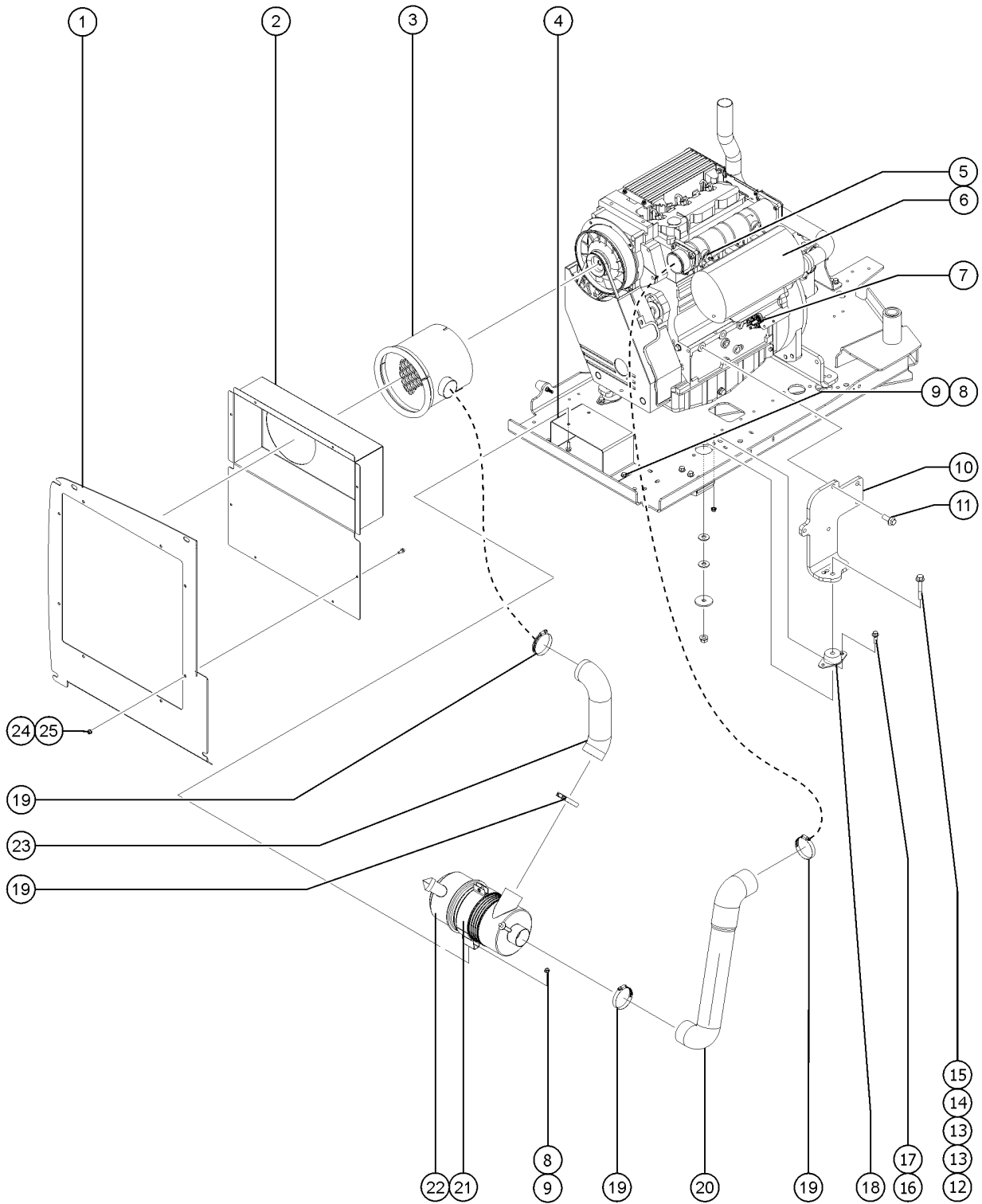


<i>Item</i>	<i>Part No.</i>	<i>Description</i>	<i>Qty.</i>
23	22699GT	WASHER,FLAT,M10,ZINC PLTD.	2
24	825351GT	SCREW,HHC,M10-1.5X20,DIN933,10.9,ZAB	6
25	128004GT	COUPLER, 15 TOOTH, FBA, SAE 8	1
26	1255469GT	SCREW,HHF,1/2-13X1.25,8,ZAG	1
27	70472GT	FORMING,SOLENOID MOUNT PAINT	1
28	70385GT	CLAMP,EXHAUST,2.00 PLATED	2

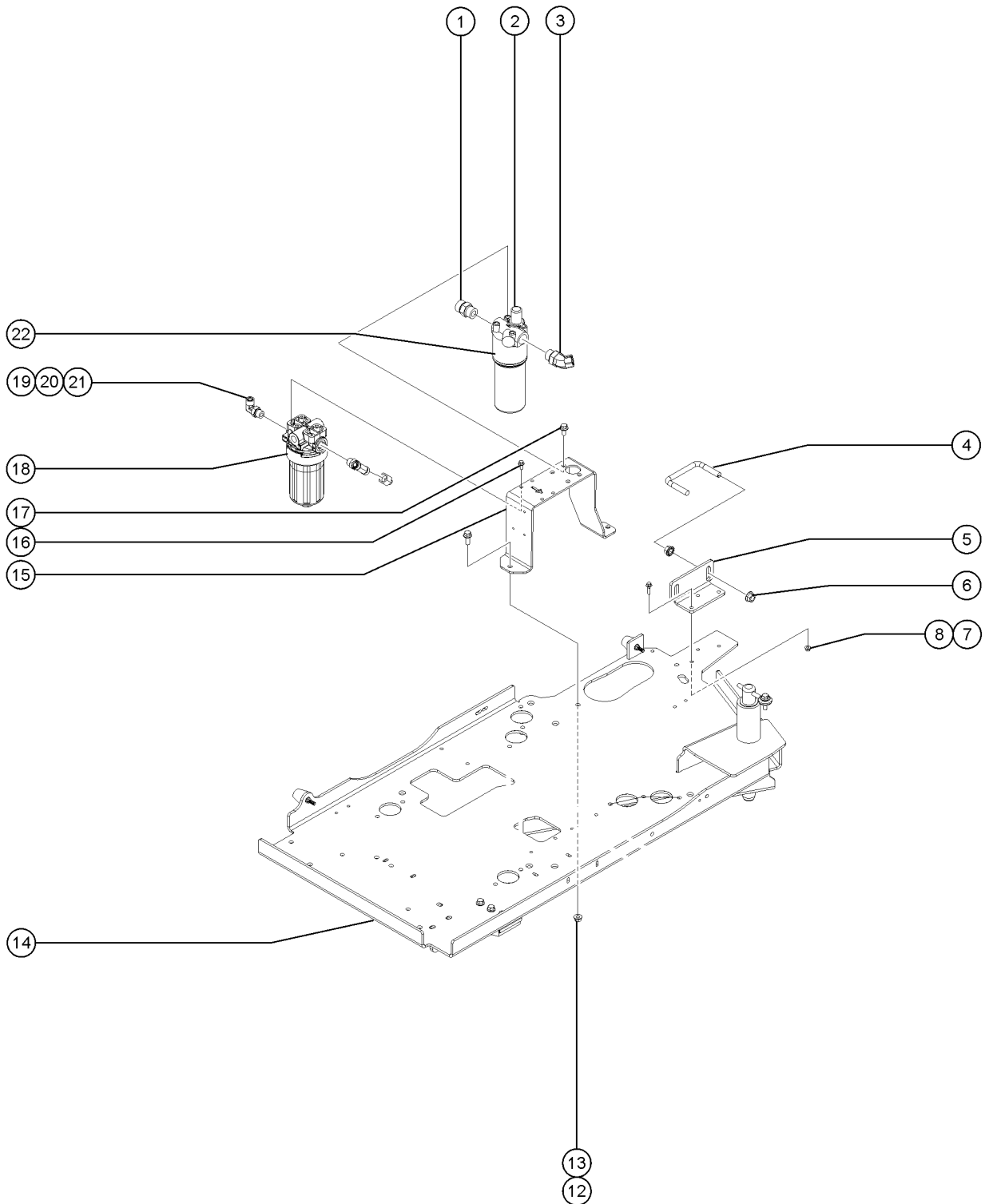


Item	Part No.	Description	Qty.
1	106172GT	BAFFLE,AIR INTAKE***	1
2	70494GT	FORMING,DEUTZ AIR INTAKE BAF P	1
3	101140GT	WELDMENT, AIR INTAKE TUBE	1
4	70351PGT	FORMING,AIR CLEANER MOUNT PNTD	1
5	31408GT	GLOW PLUG,L1011	1
6	32695GT	MUFFLER,DEUTZ	1
6B	119117GT	MUFFLER,CAT/SPARK,DEUTZ	
		(Option - spark arresst)	
6C	29559GT	GASKET,EXHAUST	3
		for 119117, 3 required	
7	139709GT	STARTER, 12V	1
		with solenoid	
7-	139621GT	KIT, HEAT GUARD, DEUTZ STARTER	
		(includes sheild 139622 and bolt 139623)	
7-	139622GT	HEAT SHIELD,DEUTZ STARTER	
7-	139623GT	BOLT, GUARD, DEUTZ STARTER	
8	824086GT	SCREW, HHF, 5/16-18 X 1, 8, ZAG	4
9	1255805GT	NUT,SERRATED,5/16-18,8,ZAG	4
10	70461PGT	FORMING,ENGINE MOUNT,FL PAINT*	1
11	1256776GT	SCREW,HHF,M14-2.0X35,DIN6921,10.9,ZAB	3
12	1295334GT	TERM QC TAB - #8 RING, .250, 45 DEG, BRASS	1
13	1255760GT	WASHER,FLAT,1/2,USS,ZAG	2
14	1256283GT	WASHER,FLAT,.5X2.25X.188,ZAG	1
15	1251997GT	NUT,TL FLG,1/2-13,G,ZAG	1
16	824091GT	SCREW,HHF,3/8-16X1.25,8,ZAG	2
17	824029GT	NUT,TL FLG,3/8-16,G,ZAG	2
18	70452GT	ISOLATOR,ENGINE VIBRATION***	1
19	30971GT	CLAMP,HOSE,3.00"	4
20	70375GT	HOSE,AIR CLEANER	1
21	53952GT	BRKT,AIR CLEANER ORIENTATION**	1
22	63463GT	AIR CLEANER,NELSON	1
23	101006GT	TUBE,AIR CLEANER INLET	1

511.1 Deutz, D2011 CHINA III ,View 2

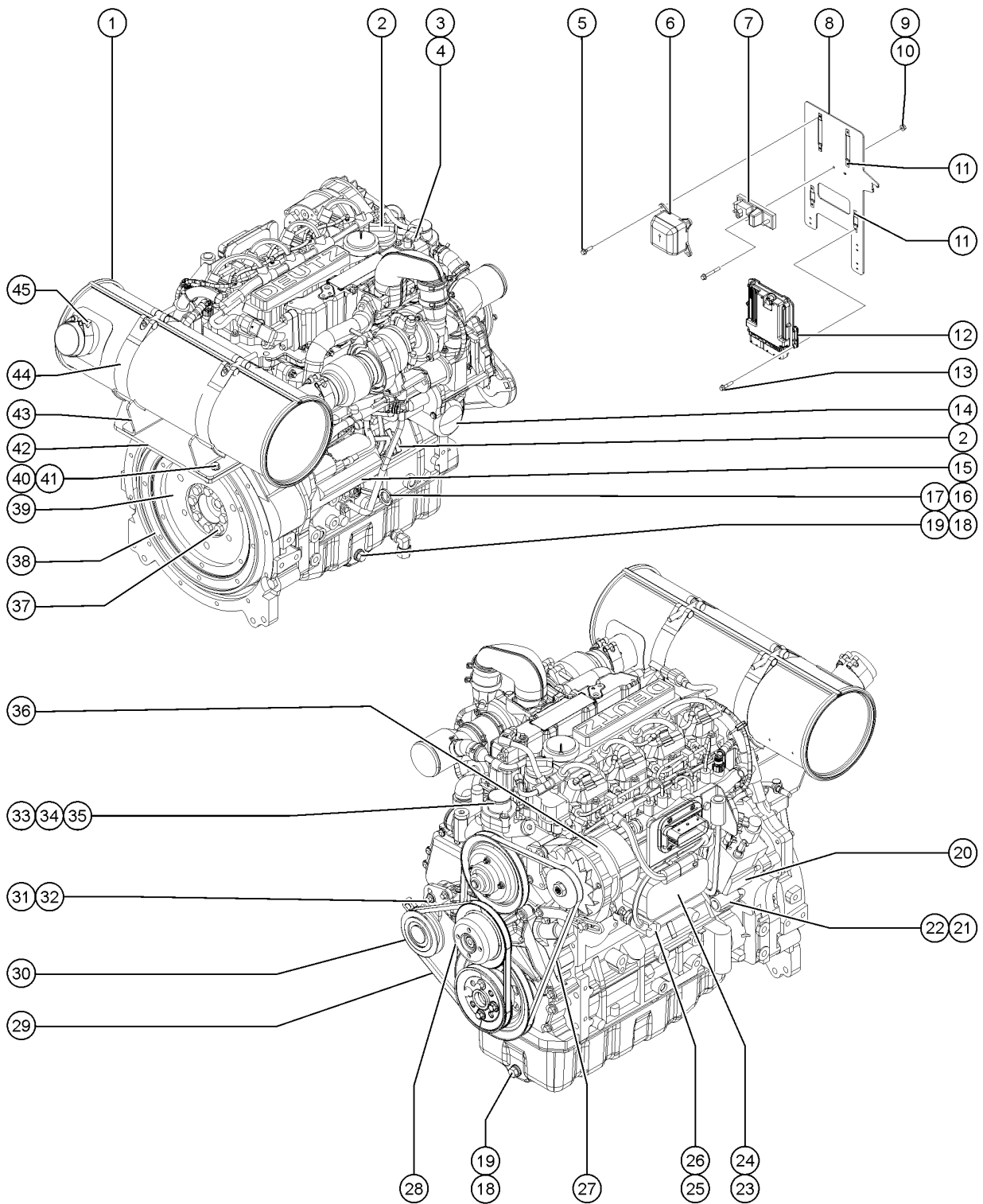


<i>Item</i>	<i>Part No.</i>	<i>Description</i>	<i>Qty.</i>
24	824027GT	NUT,TL FLG,1/4-20,G,ZAG	8
25	1256855	WASHER FLAT BONDED RUB	8



<i>Item</i>	<i>Part No.</i>	<i>Description</i>	<i>Qty.</i>
1	48960GT	FITTING,CONN,520120-12***	1
2	60334GT	FILTER ASSY,HIGH PRESS SAE-12*	1
3	48963GT	FITTING,ELBOW,45D,520320-12***	1
4	1259855GT	UBOLT, 0.4724 IN D X 4.0 IN L	1
5	1260174GT	FORMING, ENGINE TRAY LATCH	1
6	1261724GT	NUT,SERRATED,1/2-13,8,ZAG	4
7	824027GT	NUT,TL FLG,1/4-20,G,ZAG	3
8	824079GT	SCREW,HHF,1/4-20X1,8,ZAG	3
9	824091GT	SCREW,HHF,3/8-16X1.25,8,ZAG	2
12	824029GT	NUT,TL FLG,3/8-16,G,ZAG	4
13	824090GT	SCREW,HHF,3/8-16X1,8,ZAG	2
14	1289117GT	ASSY,ENGINE,TRAY	1
14-	1253827GT	WELDMENT, ENGINE TRAY	1
15	161603GT	FORMING, FILTER BRKT	1
16	1256855	WASHER FLAT BONDED RUB	4
17	824089GT	SCREW,HHF,3/8-16X.75,8,ZAG	4
18	1267807GT	ASSY, MED. PRESS. FILTER, SAE8	1
19	48932GT	FITTING,ELBOW,90D,520220-8***	1
20	48936GT	TEE,BRANCH,520429-8	1
21	48941GT	REDUCER,520123-8-4	1
22	60334GT	FILTER ASSY,HIGH PRESS SAE-12*	1

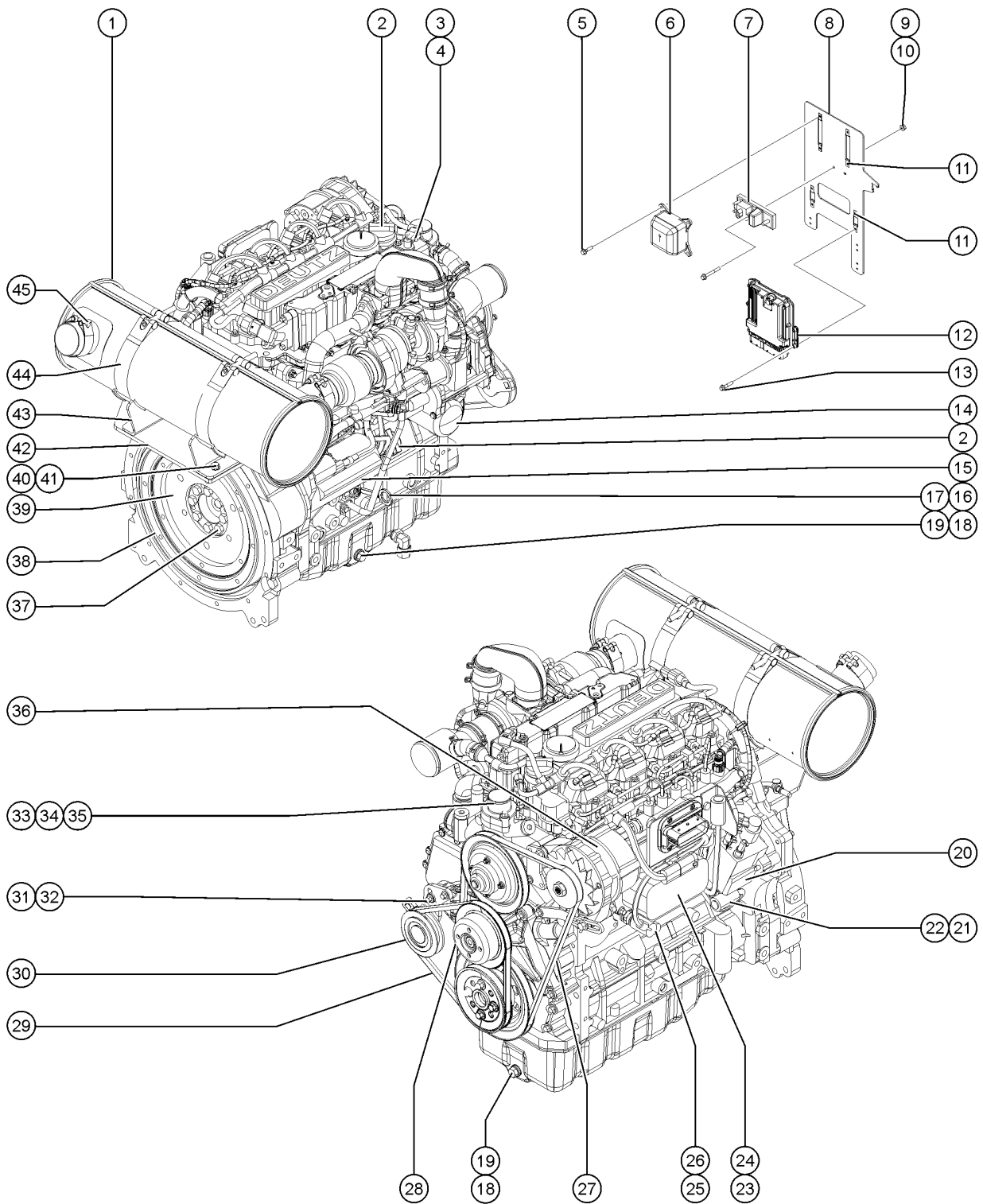
513.1 Deutz TD 2.9L Engine CHINA □ - View 1



Item	Part No.	Description	Qty.
A	1288460GT	MUFFLER KIT,DEUTZ TD2.9,S60/65TRAX Due to Tier 4 regulations, many engine replacement parts require the engine serial number at time of order placement. When ordering engine parts please have both machine and engine serial numbers available. For internal engine parts, contact engine dealer.	1
1	1287261GT	MUFFLER, DEUTZ TD2.9	1
2	29557GT	CAP,OIL FILLER,DEUTZ,DIESEL ***	2
3	1262896GT	SENSOR,INTAKE AIR PRESSURE	1
4	1262897GT	O-RING, INTAKE AIR PRESSURE SENSOR	1
5	824079GT	SCREW,HHF,1/4-20X1,8,ZAG	4
6	822781GT	MODULE,FUSE&RELAY,DEUTZ 2.9	1
7	824023GT	RELAY, POWER & FUSE MODULE	1
7-	1251508GT	FUSE, FMX, 60AMP	
7-	1251509GT	COVER,PRM FUSE SERVICE PART	
8	823070GT	SHEET,ECU MOUNT,DEUTZ D2.9	1
9	824027GT	NUT,TL FLG,1/4-20,G,ZAG	1
10	1253485GT	SCREW,HHF,1/4-20X2,8,ZAG	1
11	56912GT	SPRING CLIP,1/4-20,.025-.15X.5	8
12	214795GT	ECM, DEUTZ need engine SN to program	1
13	824080GT	SCREW, HHF, 1/4-20 X 1.25, 8, ZAG	4
14	49924GT	FILTER,OIL,DEUTZ F4L1011F	1
15	1254594GT	STARTER,3.2KW,DEUTZ D2.9	1
15-	1262868GT	BOLT, DEUTZ STARTER not included sold seperately	
16	825708GT	DIPSTICK,TD2.9	1
17	1262881GT	ORING, OIL DIP STICK	1
18	102587GT	PLUG,ENGINE OIL,DEUTZ F4L2011	2
19	108538GT	RING / SEALING	2
20	1279653GT	PUMP,FUEL,HI PRESS,DEUTZ TD2.9	1
21	1262894GT	SENSOR,CAM/CRANKSHAFT POSITION (crankshaft)	1
22	1262895GT	O-RING, CRANKSHAFT POSITION SENSOR	1
23	1260357GT	OIL COOLER,TD2.9	1



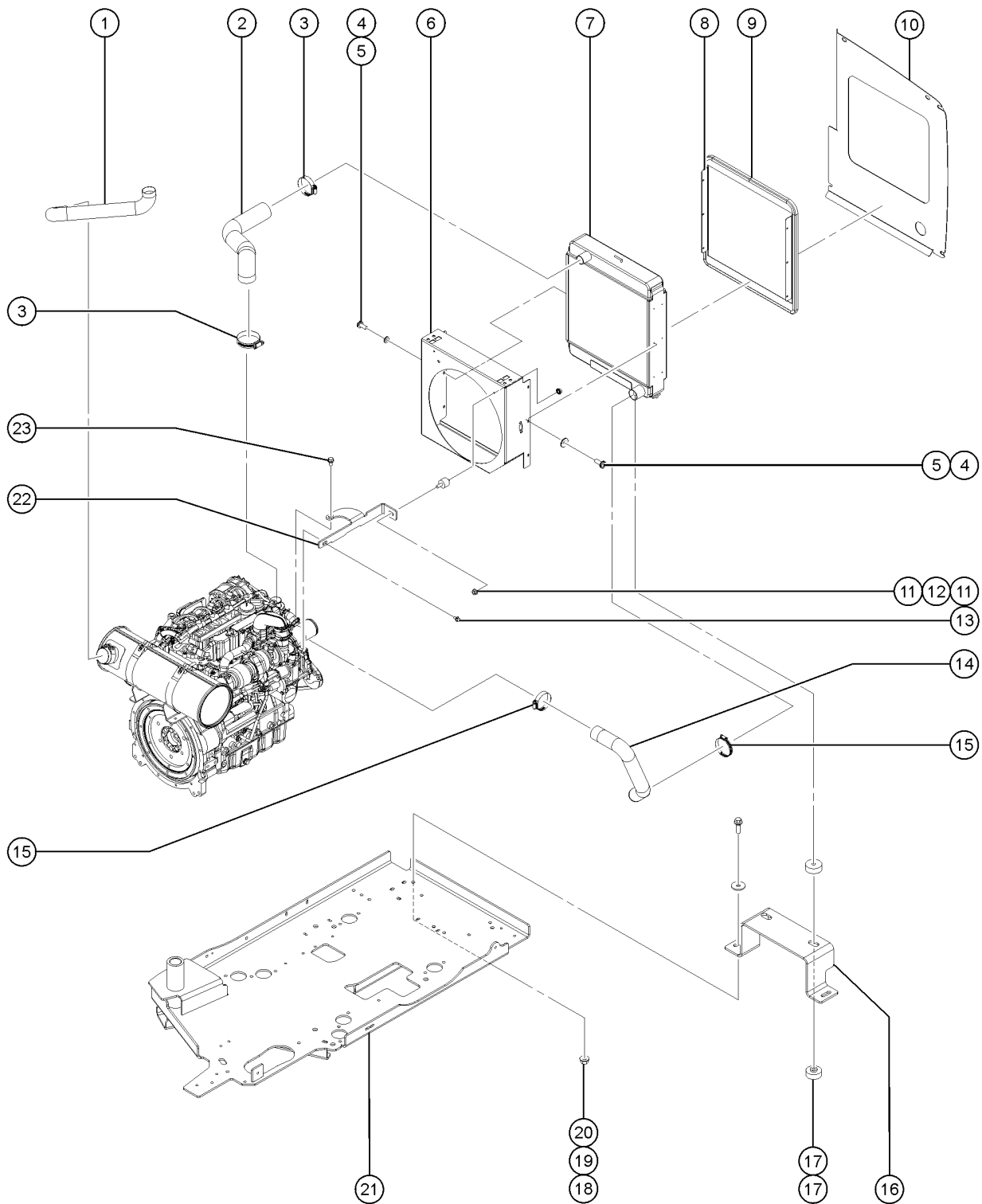
513.1 Deutz TD 2.9L Engine CHINA □ - View 1



Item	Part No.	Description	Qty.
24	1262883GT	GASKET, OIL COOLER, DEUTZ	1
25	824673GT	SENSOR,FUEL PRESSURE,DEUTZ 2.9L	1
26	1262893GT	O-RING, OIL PRESSURE SENSOR	1
27	1262866GT	FAN BELT, ALTERANTOR	1
28	236248GT	PULLEY ASSEMBLY,ALTERNATOR,TCD3.6	1
29	1262867GT	V-BELT, DEUTZ	1
30	1279631GT	PULLEY,BELT TENSIONER,D2.9L4	1
31	1262894GT	SENSOR,CAM/CRANKSHAFT POSITION	1
		hidden from view (camshaft)	
32	1262899GT	O-RING, CAMSHAFT POSITION SENSOR	1
		hidden from view	
33	1262877GT	THERMOSTAT HOUSING	1
34	1262876GT	THERMOSTAT,DEUTZ	1
35	1262878GT	GASKET, THERMOSTAT HOUSING	1
36	236251GT	ALTERNATOR,95 AMP,DEUTZ	1
37	1262873GT	BOLT, DEUTZ FLYWHEEL	8
38	89785GT	RING GEAR,DEUTZ F3L2011F	1
39	1259660GT	FLYWHEEL, SAE 8/10	1
		order with item #37, PN 1262873, qty 8	
40	824133GT	SCREW,HHF,M8-1.25X25,DIN6921,10.9,ZAB	4
41	237832GT	NUT,TL FLG,M8-1.25,DIN6927,10,ZAB	4
42	1287194GT	WELDMENT,MUFFLER MOUNT,DEUTZ TD2.9,S85	1
43	1288340GT	BRACKET, TD2.9 MUFFLER	2
44	1287262GT	BODY STRAP, TD2.9 MUFFLER	2
45	1288341GT	TIGHTFIT CLAMP, TD2.9 MUFFLER	1



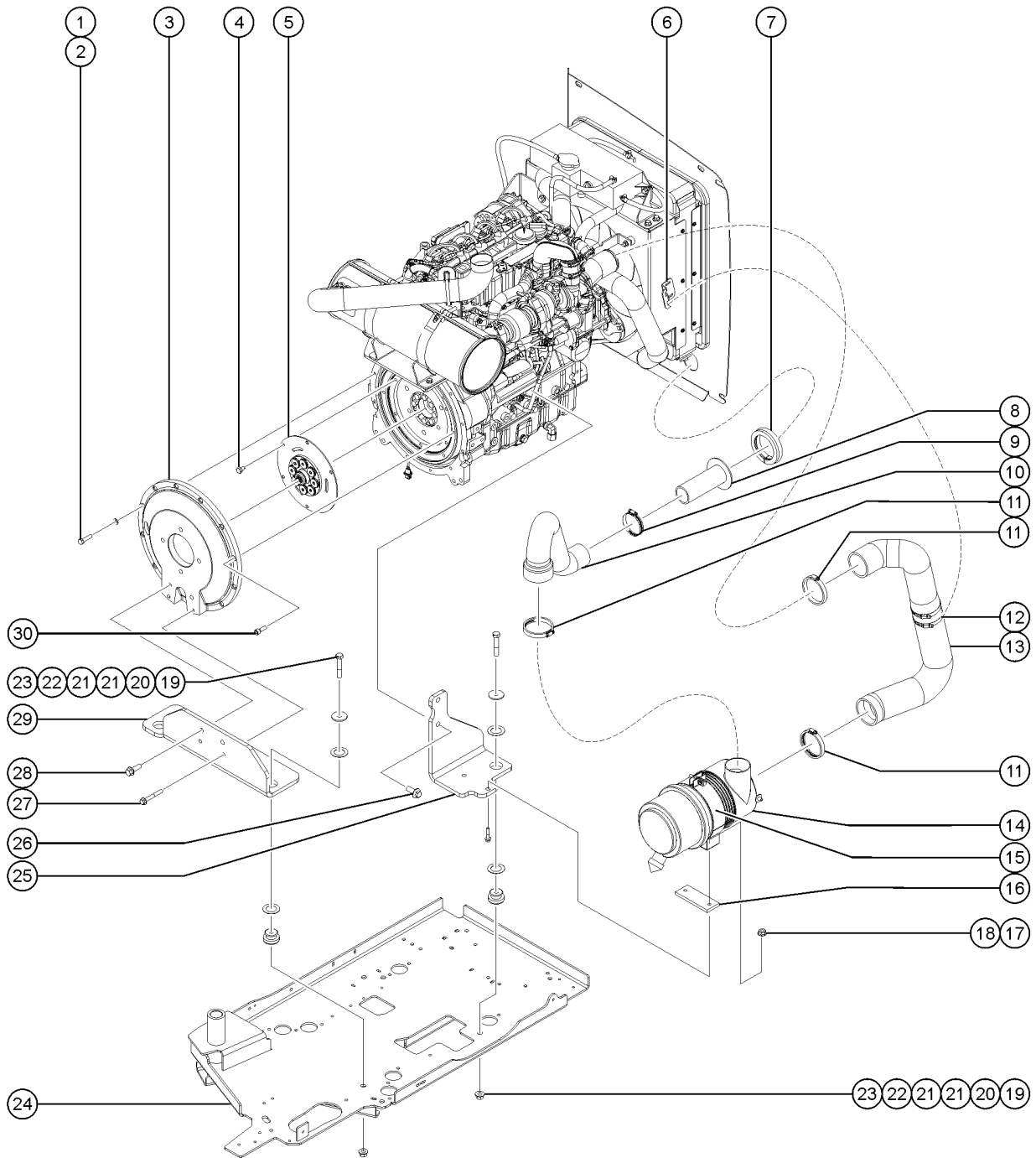
514.1 Deutz TD 2.9L Engine CHINA □ - View 2



Item	Part No.	Description	Qty.
1	1288461GT	TAILPIPE, TD2.9 MUFFLER	1
2	162283GT	HOSE, UPPER RADIATOR, DEUTZ D	1
3	22672GT	CLAMP,HOSE,1.75	2
4	824220GT	SCREW,PHPM SEMS ET,10-24X.5,ZA	12
5	1253185GT	WASHER,FLAT,#10,USS,ZAG	12
6	1261921GT	SHROUD, 17" FAN	1
7	826795GT	RADIATOR,6-CORE,19.375W X 18.1	1
8	1268010GT	FORMING, SHROUD, INLET, RADIATOR	1
9	1262841GT	TRIM SEAL,RADIATOR,DEUTZ TD2.9	1
10	1262839GT	FORMING, BAFFLE, AIR INTAKE	1
11	1255805GT	NUT,SERRATED,5/16-18,8,ZAG	2
12	48498GT	ISOLATOR,AIR FILTER MOUNT	1
13	237238GT	SCREW,HHF,M6-1.0X12,DIN6921,10	1
14	162284GT	HOSE,LOWER RADIATOR, 2.9L DEUT	1
15	35434GT	CLAMP,HOSE,2.00***	2
16	1262837GT	FORMING, SUPPORT, RADIATOR	1
17	24038GT	SHOCK MOUNT,SMALL	4
18	824029GT	NUT,TL FLG,3/8-16,G,ZAG	2
19	824120GT	WASHER,FLAT,.375X1.50X.125,ZAG	2
20	824091GT	SCREW,HHF,3/8-16X1.25,8,ZAG	2
21	1253827GT	WELDMENT, ENGINE TRAY	1
22	1273919GT	FORMING, SUPPORT, RADIATOR	1
23	1251983GT	SCREW,HHF,M8-1.25X16,DIN6921,10.9,ZAB	1



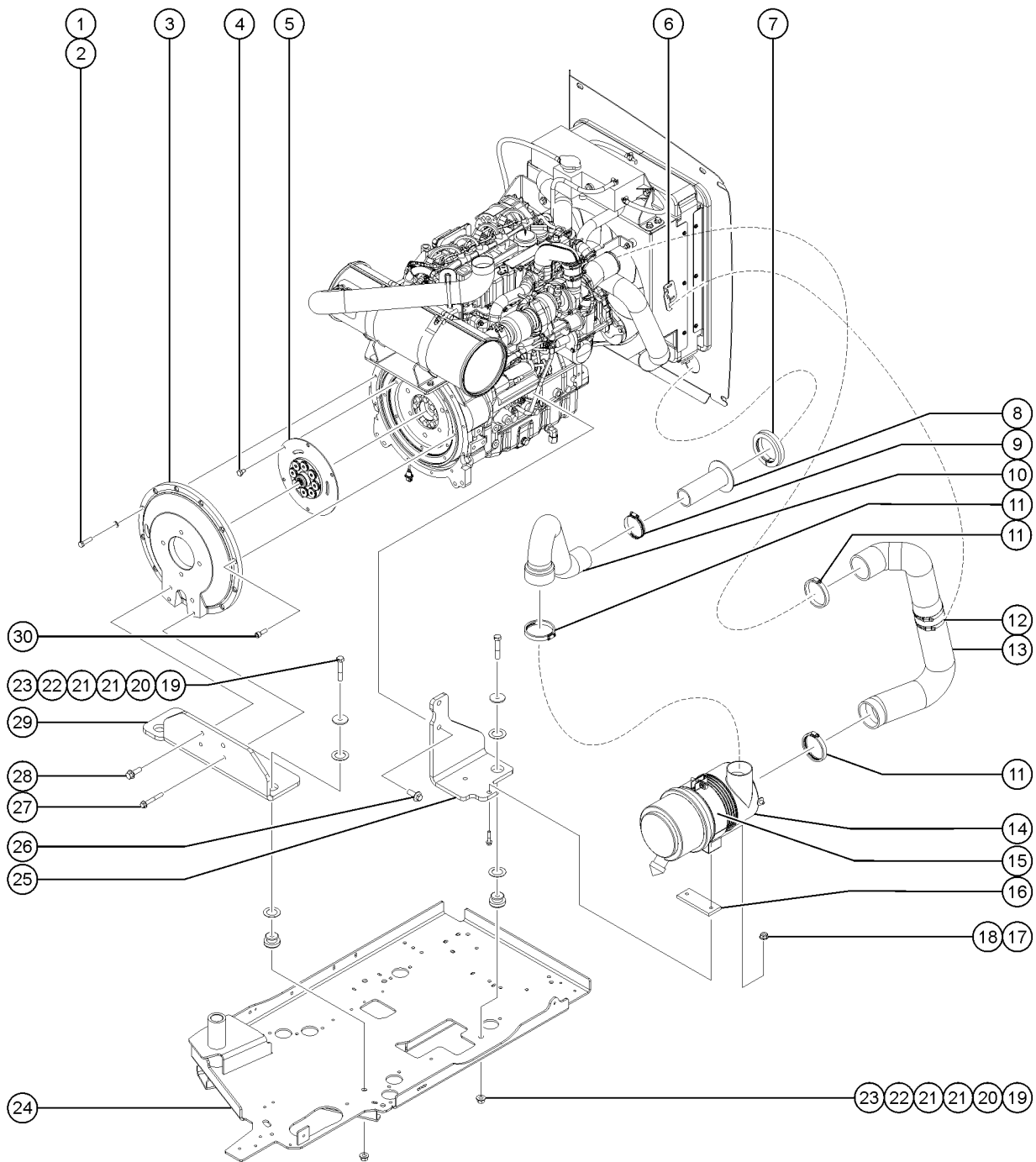
515.1 Deutz TD 2.9L Engine CHINA □ - View 3



Item	Part No.	Description	Qty.
Due to Tier 4 regulations, many engine replacement parts require the engine serial number at time of order placement. When ordering engine parts please have both machine and engine serial numbers available. For internal engine parts, contact engine dealer.			
1	25548GT	SCREW,HHC,M10 X 40MM,GRD8	1
2	824142GT	WASHER,LOCK,M10,ZAB	1
3	70381GT	COVER, FLYWHEEL CASTING	1
4	1257421GT	SCREW,HHC,M10-1.5X16,DIN933,10	6
5	128004GT	COUPLER, 15 TOOTH, FBA, SAE 8	1
6	823751GT	BRACKET,INTAKE PIPE,MOUNT,DEUT	1
7	1262842GT	SEAL,AIR INTAKE ADAPTER,LOWER	1
8	1262838GT	WELDMENT, SUPPORT, RADIATOR	1
9	45435GT	CLAMP,HOSE,2.50"	1
10	1262828GT	HOSE, INTAKE, DEUTZ TD2.9	1
11	30489GT	CLAMP,HOSE,3.50	2
12	30971GT	CLAMP,HOSE,3.00"	2
13	1262829GT	HOSE, INTAKE, AIR	1
14	81467GT	AIR CLEANER,NELSON	1
15	81468GT	MOUNTING BAND,AIR CLEANER	1
16	1273918GT	SPACER, AIR CLEANER	1
17	824028GT	NUT,TL FLG,5/16-18,G,ZAG	1
18	1255763GT	SCREW,HHF,5/16-18X1.5,8,ZAG	1
19	1253319GT	NUT,TL FLG,5/8-11,G,ZAG	3
20	102045GT	ISOLATOR,ENGINE VIBRATION	3
21	1251565GT	WASHER,SHIM,1.56X2.5X.061,ZAG	6
22	824123GT	WASHER,FLAT,.625X2.25X.188,ZAG	3
23	1256169GT	SCREW,HHC,5/8-11X3.5,8,ZAG	3
24		Ref. Engine Tray	1
		refer to 514.1	
25	1262832GT	FORMING, ENGINE MOUNT, RH	1
26	1256776GT	SCREW,HHF,M14-2.0X35,DIN6921,10.9,ZAB	2

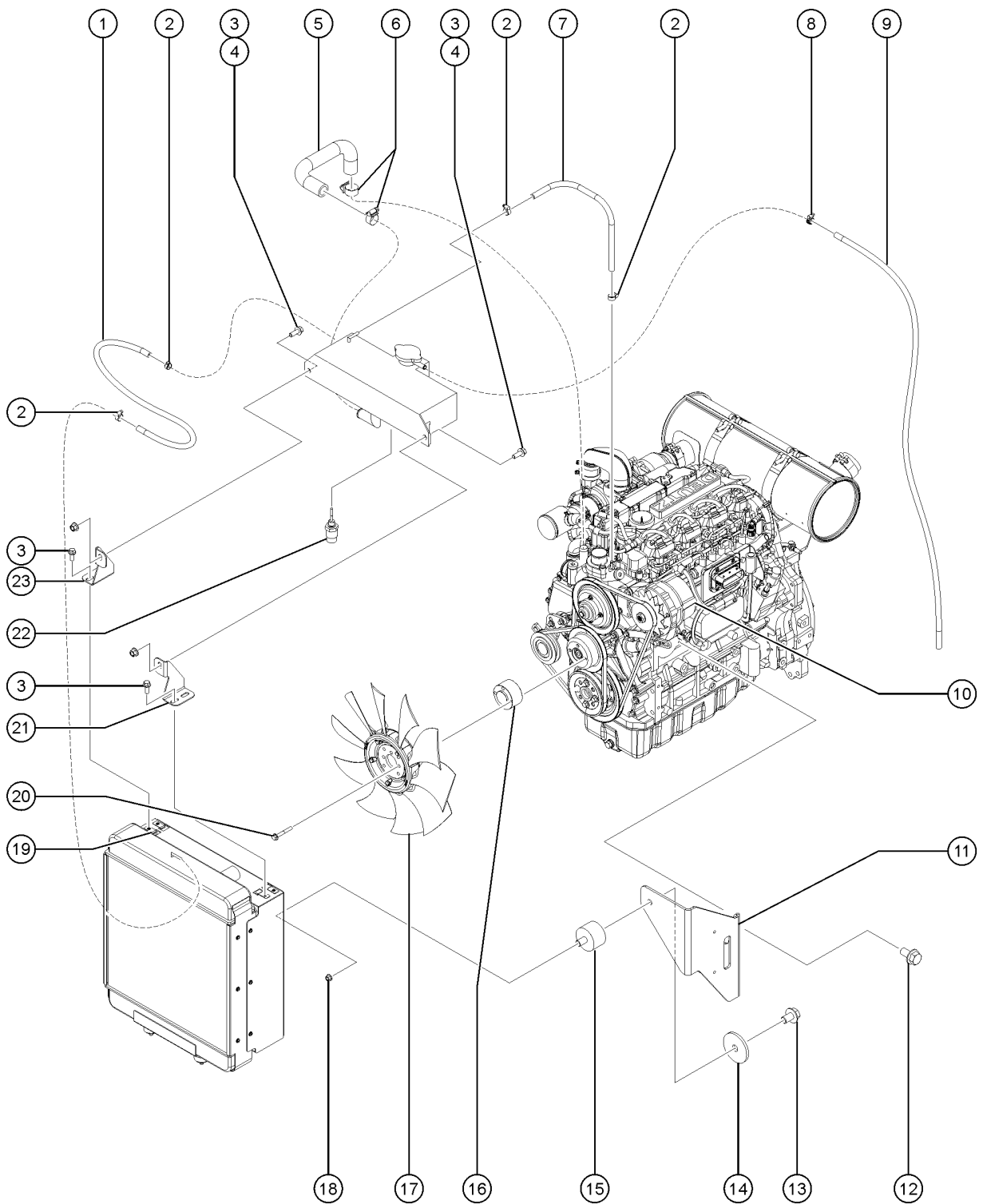


515.1 Deutz TD 2.9L Engine CHINA □ - View 3



<i>Item</i>	<i>Part No.</i>	<i>Description</i>	<i>Qty.</i>
27	826008GT	SCREW,HHF,M10-1.5X75,DIN6921,10.9,ZAB	2
28	1253498GT	SCREW,HHF,1/2-13X1.5,8,ZAG	2
29	1261920GT	FORMING, MOUNT, ENGINE, REAR	1
30	1255666GT	SCREW,SHC,M10-1.5X30,DIN912,12.9,ZAB	9

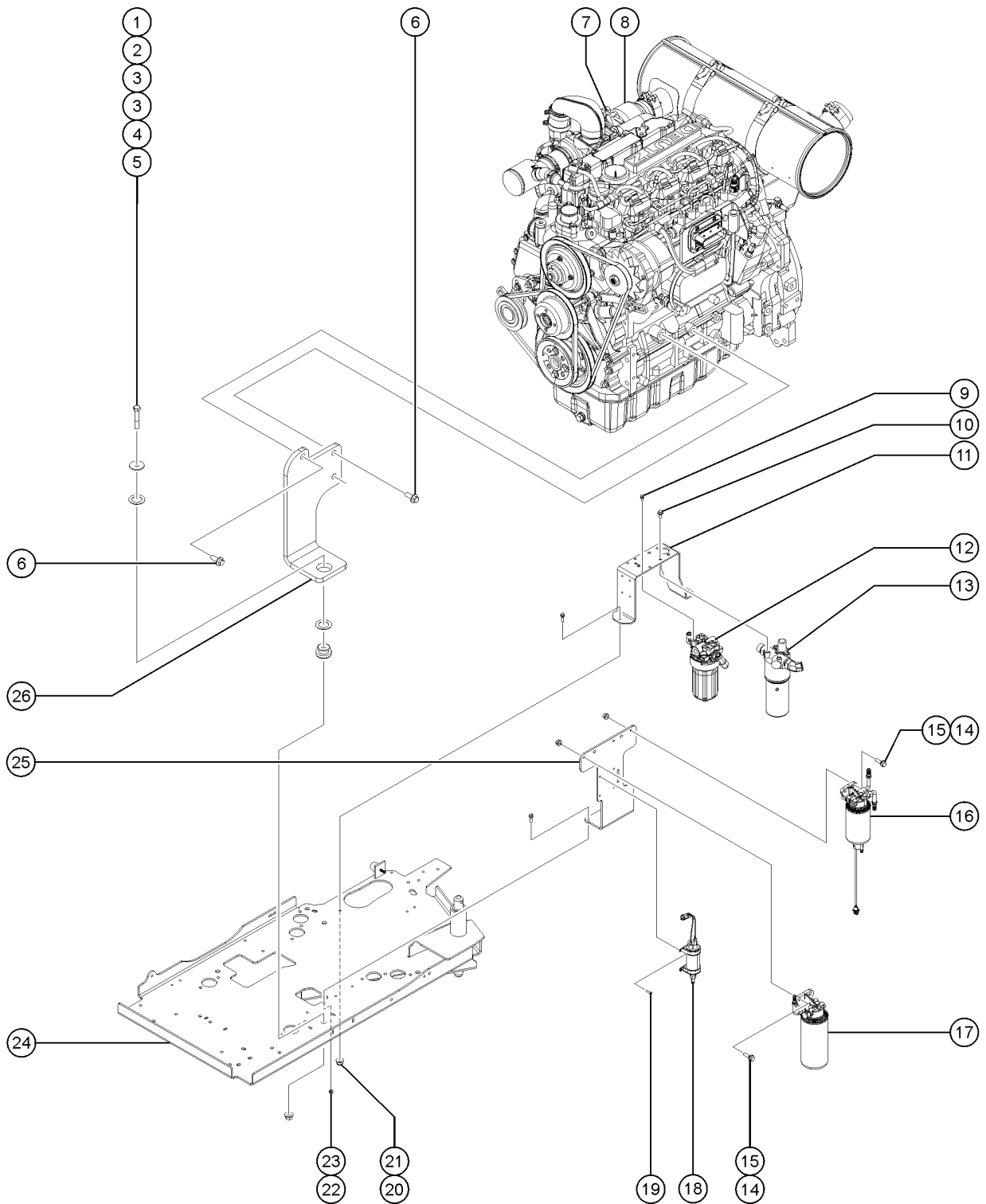
516.1 Deutz TD 2.9L Engine CHINA - View 4



Item	Part No.	Description	Qty.
Due to Tier 4 regulations, many engine replacement parts require the engine serial number at time of order placement. When ordering engine parts please have both machine and engine serial numbers available. For internal engine parts, contact engine dealer.			
1	824600GT	HOSE,HEATER,1/4"	25
2	21465GT	CLAMP,HOSE,.25" - .63" X .3125	4
3	824090GT	SCREW,HHF,3/8-16X1,8,ZAG	6
4	1274322GT	NUT,NYLOCK FLG,3/8-16,F,ZAG	2
5	1261928GT	HOSE, TANK, EXPANSION	1
6	19273GT	CLAMP,HOSE,.75 **	2
7	824600GT	HOSE,HEATER,1/4"	13
8	31983GT	CLAMP,HOSE,1 EAR, 9/16	1
9	1259441GT	HOSE,OVERFLOW,DEUTZ D2.9	1
10	236251GT	ALTERNATOR,95 AMP,DEUTZ	1
11	1256165GT	FORMING,RADIATOR SUPPORT,LH	1
12	1251983GT	SCREW,HHF,M8-1.25X16,DIN6921,10.9,ZAB	2
13	237352GT	SCREW,HHF,M10-1.5X16,DIN6921,10.9,ZAB	1
14	1256283GT	WASHER,FLAT,.5X2.25X.188,ZAG	1
15	1255451GT	ISOLATOR, VIBRATION DAMPENER	1
16	1258641GT	SPACER, FAN, DEUTZ, 43MM LNG	1
17	1251496GT	FAN,10 BLADE,17",DEUTZ 2.9L	1
18	231529GT	NUT,TL FLG,M10-1.5,DIN6927,10	1
19	29868GT	SPRING CLIP,3/8-16,.05-.20X.73,ZAG	4
20	1258771GT	SCREW,HHF,M8-1.25X60,DIN6921,10.9,ZAB	4
21	1261926GT	FORMING, BRACKET, TANK, EXPANS	1
22	162210GT	SENSOR,COOLANT LEVEL,DEUTZ	1
23	1261925GT	FORMING, BRACKET, TANK, EXPANS	1



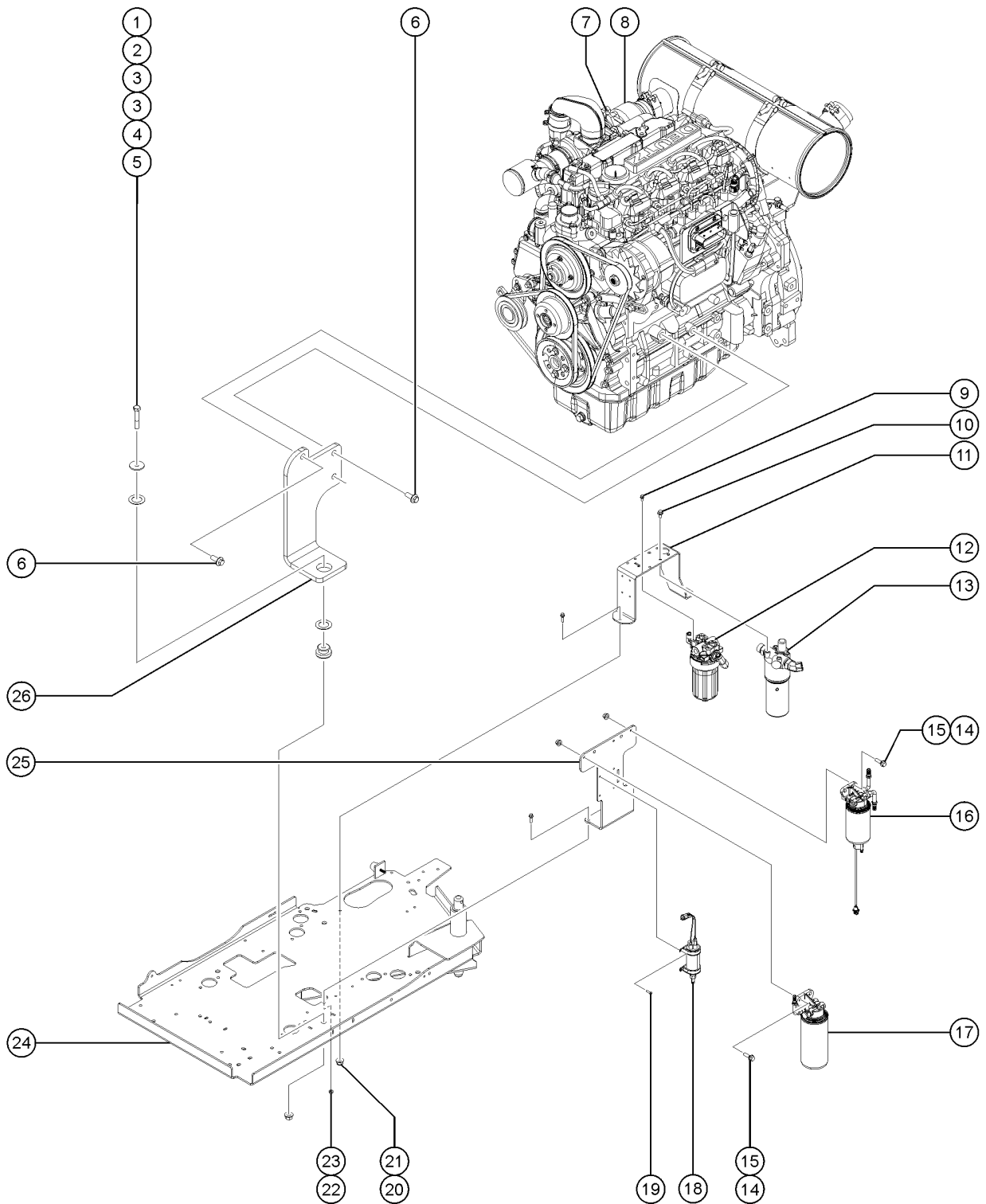
517.1 Deutz TD 2.9L Engine CHINA □ - View 5



Item	Part No.	Description	Qty.
-		Due to Tier 4 regulations, many engine replacement parts require the engine serial number at time of order placement. When ordering engine parts please have both machine and engine serial numbers available. For internal engine parts, contact engine dealer	
1	1256169GT	SCREW,HHC,5/8-11X3.5,8,ZAG	1
2	824123GT	WASHER,FLAT,.625X2.25X.188,ZAG	1
3	1251565GT	WASHER,SHIM,1.56X2.5X.061,ZAG	2
4	102045GT	ISOLATOR,ENGINE VIBRATION	1
5	1253319GT	NUT,TL FLG,5/8-11,G,ZAG	1
6	1256776GT	SCREW,HHF,M14-2.0X35,DIN6921,10.9,ZAB	3
7	1288342GT	V CLAMP, TD2.9 TURBO OUTLET	1
8	1287263GT	FLEXIBLE BELLOW PIPE, TD2.9 MUFFLER	1
9	1256855	WASHER FLAT BONDED RUB	4
10	824089GT	SCREW,HHF,3/8-16X.75,8,ZAG	4
11	161603GT	FORMING, FILTER BRKT	1
12	1267807GT	ASSY, MED. PRESS. FILTER, SAE8	1
12-	48932GT	FITTING,ELBOW,90D,520220-8***	1
12-	48936GT	TEE,BRANCH,520429-8	1
12-	48941GT	REDUCER,520123-8-4	1
13	60334GT	FILTER ASSY,HIGH PRESS SAE-12*	1
13-	48960GT	FITTING,CONN,520120-12***	1
13-	48963GT	FITTING,ELBOW,45D,520320-12***	1
14	824091GT	SCREW,HHF,3/8-16X1.25,8,ZAG	4
15	1274322GT	NUT,NYLOCK FLG,3/8-16,F,ZAG	4
16	214229GT	FILTER, DEUTZ D2.9, FUEL/WATER	1
16-	162207GT	FITTING,ELBOW,8GS-8FJX90S	2
16-	162209GT	FITTING,CONN,16MM-8MJ	2
17	214228GT	FILTER, DEUTZ 2.9, FUEL	1
17-	162208GT	FITTING,CONN,16MM-6MJ	1
17-	162206GT	FITTING,ELBOW,6GS-6FJX90S	1

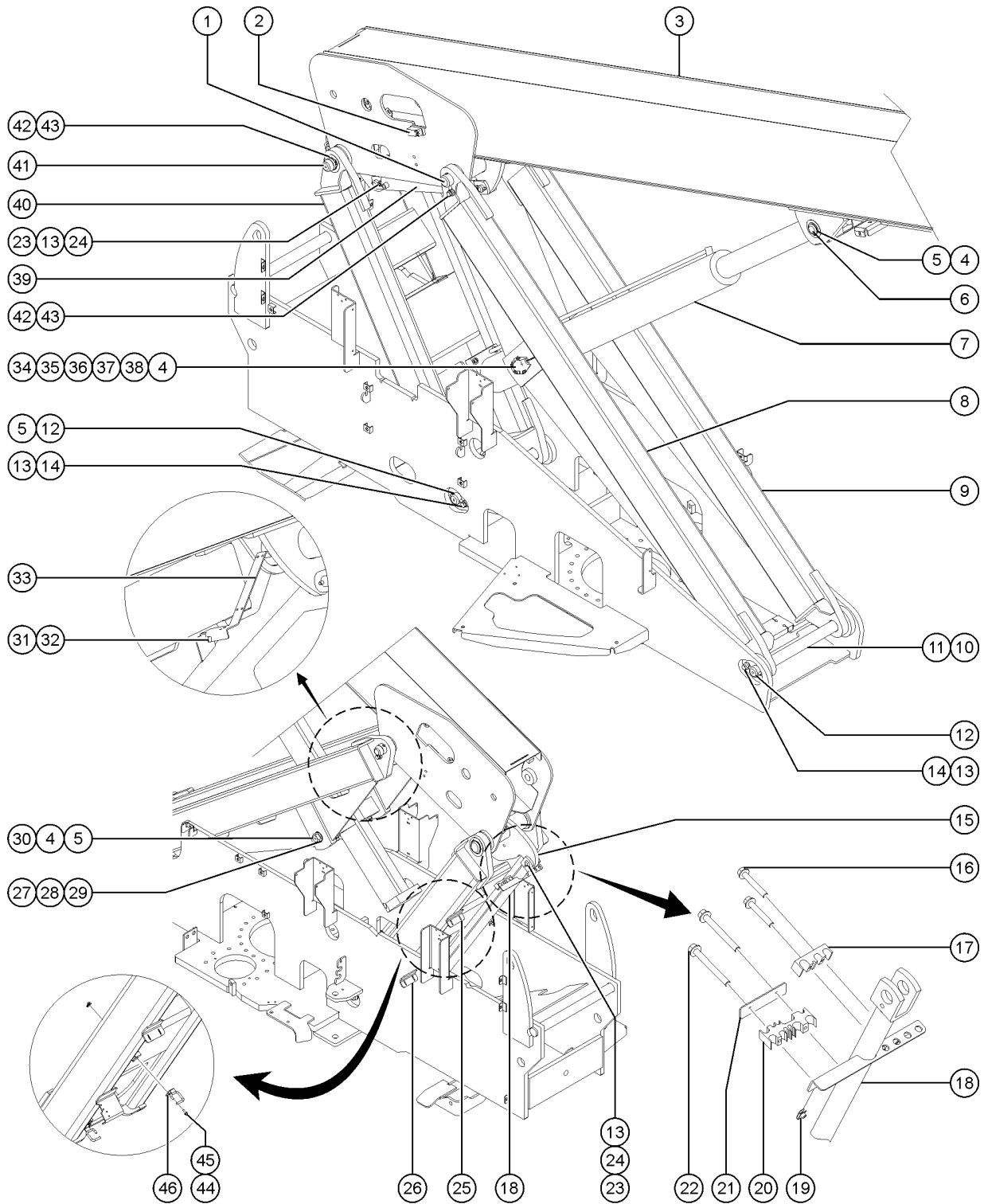


517.1 Deutz TD 2.9L Engine CHINA □ - View 5



<i>Item</i>	<i>Part No.</i>	<i>Description</i>	<i>Qty.</i>
17-	1255399GT	BOLT,BANJO,DEUTZ,QC	1
18	214691GT	FUEL LIFT PUMP, DEUTZ D 2.9	1
19	824215GT	SCREW, PHPM, 10-32 X .75, ZAG	4
20	824029GT	NUT,TL FLG,3/8-16,G,ZAG	2
21	824090GT	SCREW,HHF,3/8-16X1,8,ZAG	2
22	1277924GT	NUT,NYLOCK FLG,1/4-20,F,ZAG	2
23	824079GT	SCREW,HHF,1/4-20X1,8,ZAG	2
24		Ref. Engine Tray	1
		refer to 514.1	
25	1257961GT	WELDMENT, FUEL FILTER BRACKET	1
26	1262833GT	FORMING, ENGINE MOUNT, LH	1

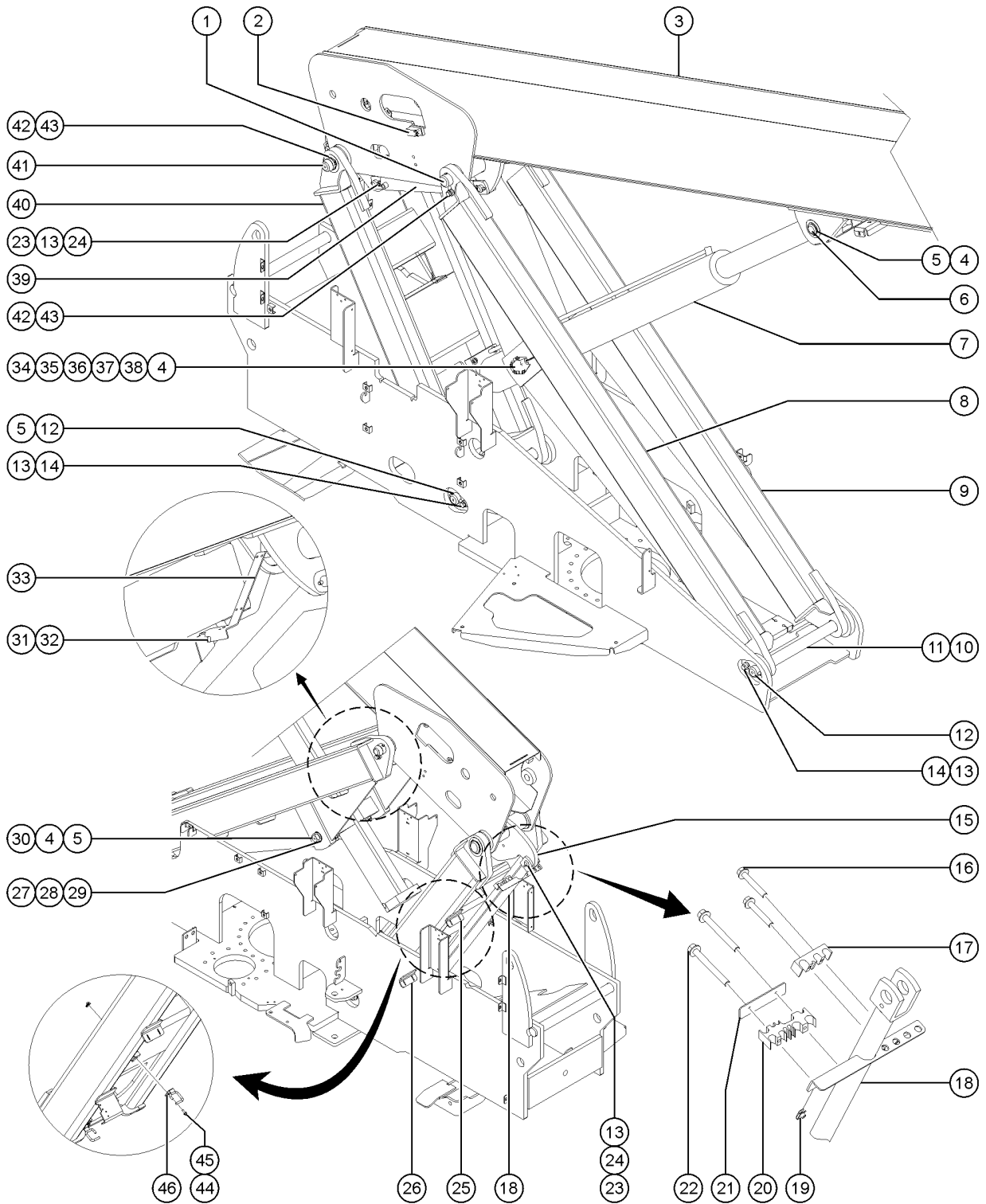
601.1 Linkage Assembly, S-60



Item	Part No.	Description	Qty.
1	1302962GT	PIN,2.25DIAX17.75LG,CHAMFER	1
2		Ref: Primary Ext/Ret Harness	1
		refer to 308.1	
3		Ref: Boom Tube #1	1
		refer to 602.1	
4	1253815GT	SNAP RING,EXTERNAL,2.00,ZAG	2
5	1256864GT	WASHER,FLAT,2.01X3.5X.06,ZAG	9
6	88872GT	PIN,2.00DIAX11.18LG,2RING	1
7	88653GT	CYLINDER,LIFT,S60***	1
		for all S-60 and S-65 models	
7	101252GT	SEAL KIT (88653)	
		for 88653	
7	61602GT	VALVE,COUNTERBAL.CBBB-LHN@3500	
		for 88653	
7	18720GT	BEARING,2.0IDX2.25ODX1.50L	
		for 88653	
7	1262331GT	KIT, GLAND NUT, S60 LIFT CYL.	
		for 88653	
7	1268376GT	NUT, PISTON, LIFT CYLINDER	
		for 88653	
7	1268377GT	SET SCREW, LIFT CYLINDER	
		for 88653	
8	119046GT	WELDMENT, LONG LINK, LEFT	1
8-	18722GT	BEARING,2.25IDX2.50ODX1.50L ***	
8-	88920GT	BEARING,FL,2.00IDX2.25ODX1.50L	
9	119047GT	WELDMENT, LONG LINK, RIGHT	1
9-	18722GT	BEARING,2.25IDX2.50ODX1.50L ***	
9-	88920GT	BEARING,FL,2.00IDX2.25ODX1.50L	
10	1299535GT	WELDMENT, LONG LINK SPACER	1
11	1253498GT	SCREW,HHF,1/2-13X1.5,8,ZAG	
12	88676GT	PIN,2.00DIAX24.00LG,CHAMFER***	2
13	1253498GT	SCREW,HHF,1/2-13X1.5,8,ZAG	
14	1256267GT	ROD END,.5 X 3.75,ZAG	2
15	1285871GT	WELDMENT TIMING LINK CAM	1
15-	88919GT	BEARING,FL,2.25IDX2.50ODX1.63L	
		(sold separately)	
15-	30370GT	BEARING,1.25IDX1.50DX1.00L	
		(sold separately)	
16	824082GT	SCREW, HHF, 1/4-20 X 1.75, 8, ZAG	2



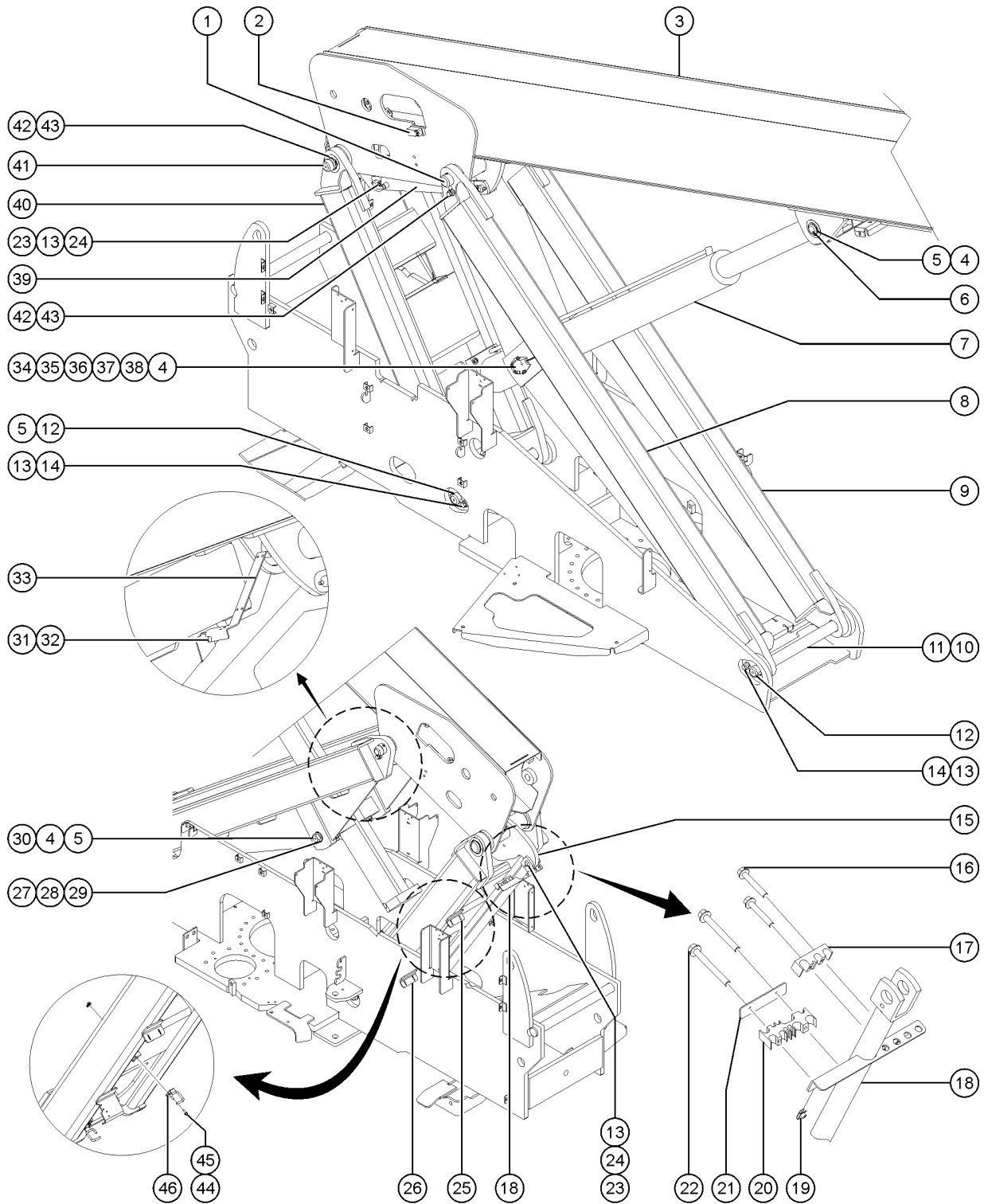
601.1 Linkage Assembly, S-60



Item	Part No.	Description	Qty.
17	824550GT	CLAMP, TIMING LINK, LH	
18	88675GT	WELDMENT, MASTER LINK	1
19	25969GT	CLIP, SPRING, 1/4-20 BLACK	4
20	824546GT	CLAMP, TIMING LINK, RH	
21	227125GT	BAR, CLAMP, TIMING LINK	1
22	824083GT	SCREW, HHF, 1/4-20X2.5, 8, ZAG	2
23	50742GT	PIN, 1.25DIA X 3.75LG, 1HOLE	1
24	1255452GT	ROD END, .375*2.25, ZAG	2
25		Ref: Ref: Harness LS, OP, Primary Angle refer to 308.1	1
25-	88356-11103GT	SWITCH, LIMIT, W/RLR ARM, NO/NC	1
26		Ref: Ref: Harness LS, OP, Primary Velocity refer to 308.1	1
26A-	88356-11103GT	SWITCH, LIMIT, W/RLR ARM, NO/NC	1
26B		Ref: Ref: Harness LS, Safety, Primary Velocity refer to 308.1	1
26B-	88356-13103GT	SWITCH, LIMIT, W/RLLR ARM, NO/NC	1
27	1256107GT	SCREW, HHC, 1/2-13X4.5, 8, ZAG	2
28	1255760GT	WASHER, FLAT, 1/2, USS, ZAG	2
29	1251997GT	NUT, TL FLG, 1/2-13, G, ZAG	
30	88666GT	PIN, 2 X 5.75 LG	1
31	824091GT	SCREW, HHF, 3/8-16X1.25, 8, ZAG	
32	824029GT	NUT, TL FLG, 3/8-16, G, ZAG	
33	230497GT	FORMING, ANGLE SENSOR CABLE	1
34	147834GT	ASSY, ANGLE SENSOR AND COVER all models	1
34-	94980GT	SENSOR, DUAL OUTPUT, ANGLE***	
34-	110452GT	COVER, STEERING SENSOR	
34-	60746GT	BUSHING, STRAIN RELIEF, 1"	
34-	75041GT	SCREW, PHILLIPS, PHM, 10-32 X 1	
34-	6607GT	WASHER, LOCK, #10 PLTD	
35	824078GT	SCREW, HHF, 1/4-20X.75, 8, ZAG	1



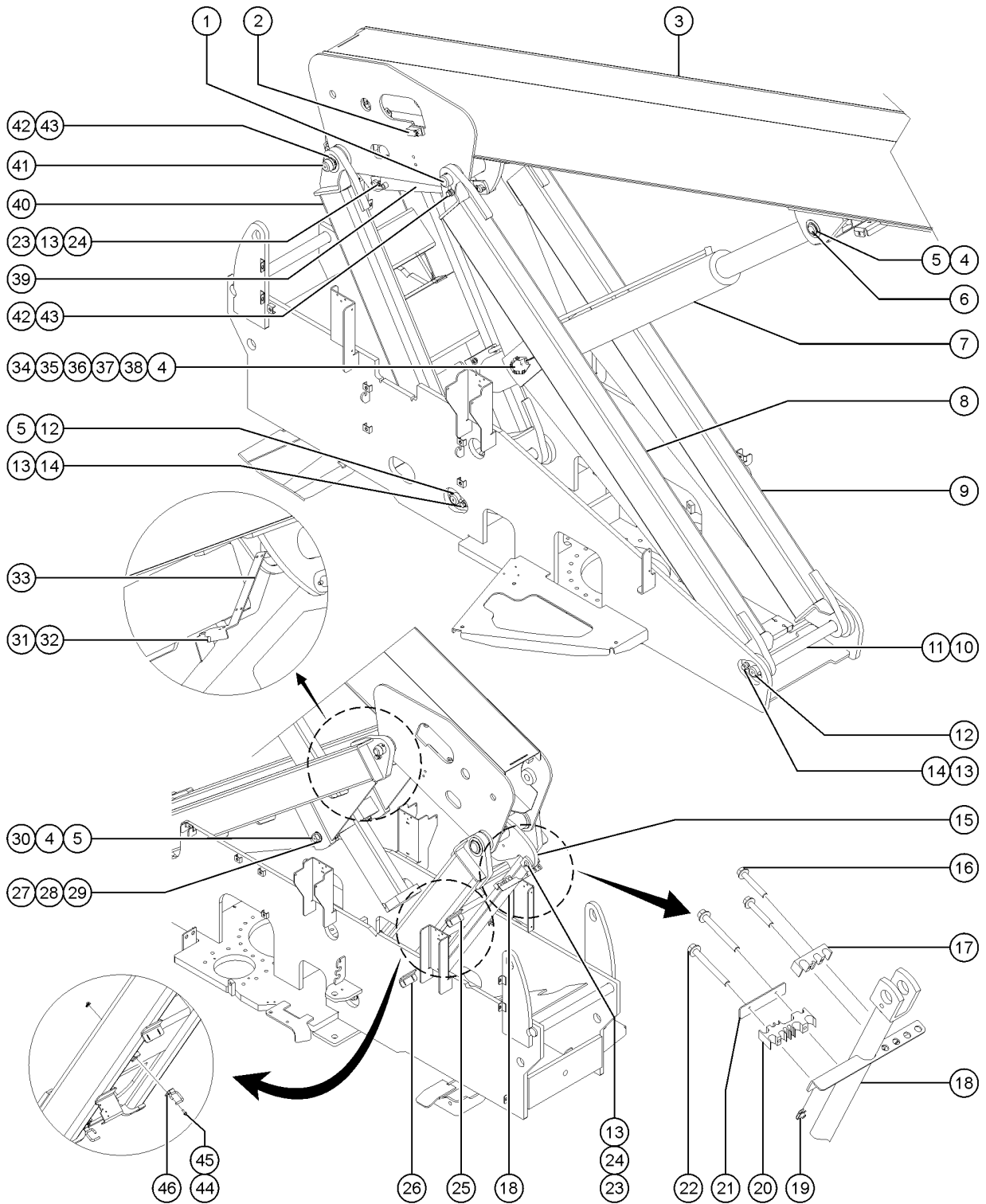
601.1 Linkage Assembly, S-60



Item	Part No.	Description	Qty.
36	147571GT	KEY, HEX, 5/16" X 2.50"LG,SS	1
37	147842GT	PIN, LIFT CYL, HEX END	1
38	1257079GT	WASHER,FLAT,2.01X2.25X.06,ZAG	1
39	81694GT	CYLINDER,MASTER S-60 and S65 models	1
39-	75470GT	SEAL KIT,CYL,S45 MASTER(81694) for 81694	
40	T106508GT	SHORT LINK W/BEARINGS, SERVICE (includes items 41-43)	1
40-	T106413GT	WELDMENT, SHORT LINK, S60/65	1
40-	18720GT	BEARING,2.0IDX2.25ODX1.50L	2
40-	18722GT	BEARING,2.25IDX2.50ODX1.50L***	2
41	119990GT	PIN,2.25DIAX18.75LG,CHAMFER	1
42	1257080GT	WASHER,FLAT,2.27X3.5X.06,ZAG	6
43	1254639GT	SNAP RING,EXTERNAL,2.25,ZAG	2
44	824078GT	SCREW,HHF,1/4-20X.75,8,ZAG	3
45	56912GT	SPRING CLIP,1/4-20,.025-.15X.5	3
46	1286774GT	WELDMENT,HOSE/HARNESS HANGER	3



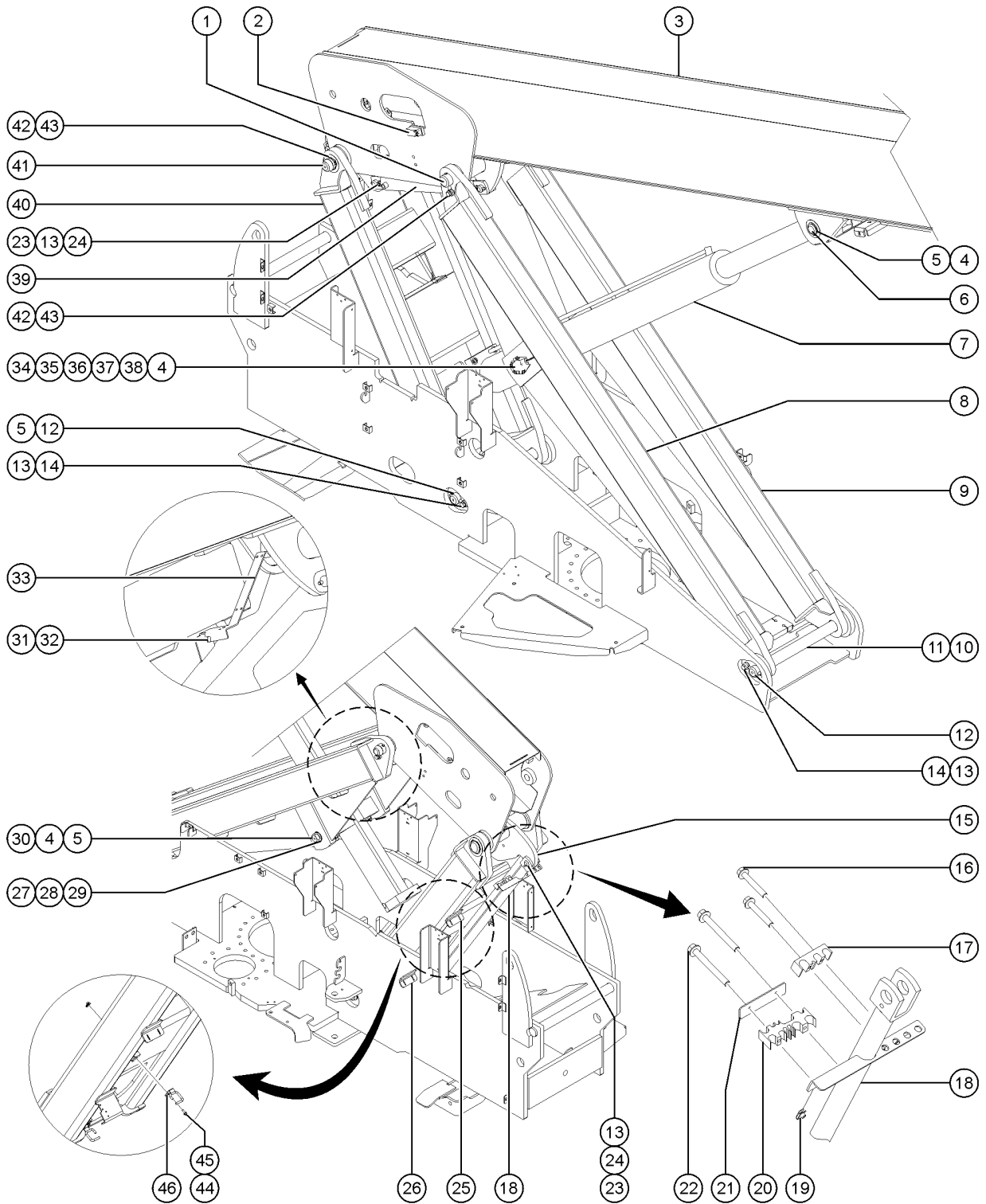
601.2 Linkage Assembly, S-65



Item	Part No.	Description	Qty.
1	1302962GT	PIN,2.25DIAX17.75LG,CHAMFER	1
2		Ref: Primary Ext/Ret Harness	1
		refer to 308.1	
3		Ref: Boom Tube #1	1
		refer to 602.1	
4	1253815GT	SNAP RING,EXTERNAL,2.00,ZAG	2
5	1256864GT	WASHER,FLAT,2.01X3.5X.06,ZAG	9
6	88872GT	PIN,2.00DIAX11.18LG,2RING	1
7	88653GT	CYLINDER,LIFT,S60***	1
		for all S-60 and S-65 models	
7-	101252GT	SEAL KIT (88653)	
		for 88653	
7-	61602GT	VALVE,COUNTERBAL.CBBB-LHN@3500	
		for 88653	
7-	18720GT	BEARING,2.0IDX2.25ODX1.50L	
		for 88653	
7-	1262331GT	KIT, GLAND NUT, S60 LIFT CYL.	
		for 88653	
7-	1268376GT	NUT, PISTON, LIFT CYLINDER	
		for 88653	
7-	1268377GT	SET SCREW, LIFT CYLINDER	
		for 88653	
8	119046GT	WELDMENT, LONG LINK, LEFT	1
8-	18722GT	BEARING,2.25IDX2.50ODX1.50L ***	
8-	88920GT	BEARING,FL,2.00IDX2.25ODX1.50L	
9	119047GT	WELDMENT, LONG LINK, RIGHT	1
9-	18722GT	BEARING,2.25IDX2.50ODX1.50L ***	
9-	88920GT	BEARING,FL,2.00IDX2.25ODX1.50L	
10	110908GT	WELDMENT, LONG LINK SPACER	1
11	1253498GT	SCREW,HHF,1/2-13X1.5,8,ZAG	
12	88676GT	PIN,2.00DIAX24.00LG,CHAMFER***	2
13	824090GT	SCREW,HHF,3/8-16X1,8,ZAG	
14	1256267GT	ROD END,.5 X 3.75,ZAG	2
15	1285871GT	WELDMENT TIMING LINK CAM	1
15-	88919GT	BEARING,FL,2.25IDX2.50ODX1.63L	
		(sold separately)	
15-	30370GT	BEARING,1.25IDX1.5ODX1.00L	
		(sold separately)	
16	824082GT	SCREW, HHF, 1/4-20 X 1.75, 8, ZAG	2



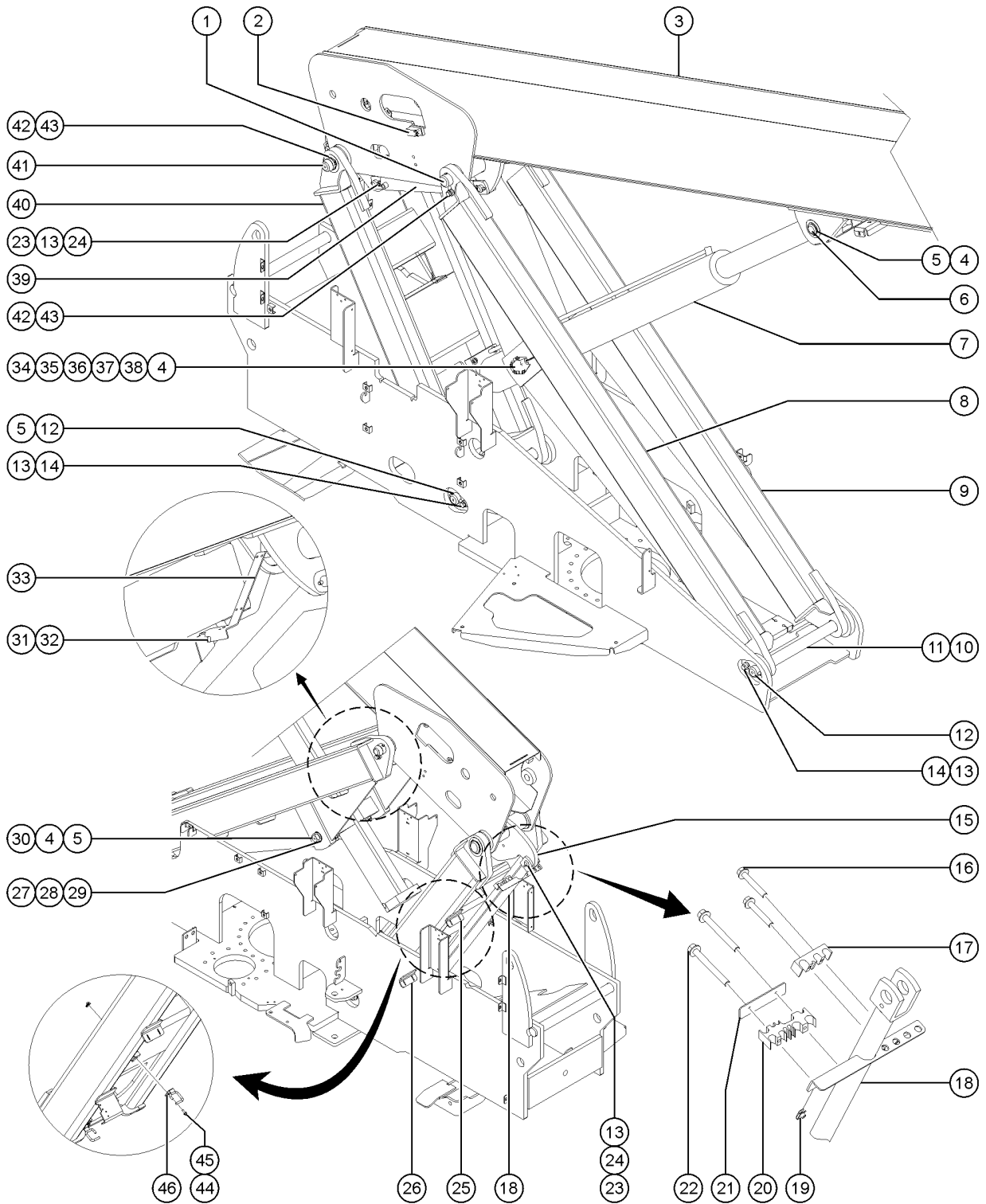
601.2 Linkage Assembly, S-65



Item	Part No.	Description	Qty.
17	824550GT	CLAMP, TIMING LINK, LH	
18	88675GT	WELDMENT, MASTER LINK	1
19	25969GT	CLIP, SPRING, 1/4-20 BLACK	4
20	824546GT	CLAMP, TIMING LINK, RH	
21	227125GT	BAR, CLAMP, TIMING LINK	1
22	824083GT	SCREW, HHF, 1/4-20X2.5, 8, ZAG	2
23	50742GT	PIN, 1.25DIAX3.75LG, 1HOLE	1
24	1255452GT	ROD END, .375*2.25, ZAG	2
25		Ref: Ref: Harness LS, OP, Primary Angle refer to 308.1	1
25-	88356-11103GT	SWITCH, LIMIT, W/RLR ARM, NO/NC	1
26		Ref: Ref: Harness LS, OP, Primary Velocity refer to 308.1	1
26A-	88356-11103GT	SWITCH, LIMIT, W/RLR ARM, NO/NC	1
26B		Ref: Ref: Harness LS, Safety, Primary Velocity refer to 308.1	1
26B-	88356-13103GT	SWITCH, LIMIT, W/RLLR ARM, NO/NC	1
27	1256107GT	SCREW, HHC, 1/2-13X4.5, 8, ZAG	2
28	1255760GT	WASHER, FLAT, 1/2, USS, ZAG	2
29	1251997GT	NUT, TL FLG, 1/2-13, G, ZAG	
30	88666GT	PIN, 2 X 5.75 LG	1
31	824091GT	SCREW, HHF, 3/8-16X1.25, 8, ZAG	
32	824029GT	NUT, TL FLG, 3/8-16, G, ZAG	
33	230497GT	FORMING, ANGLE SENSOR CABLE	1
34	147834GT	ASSY, ANGLE SENSOR AND COVER all models	1
34-	94980GT	SENSOR, DUAL OUTPUT, ANGLE***	
34-	110452GT	COVER, STEERING SENSOR	
34-	60746GT	BUSHING, STRAIN RELIEF, 1"	
34-	75041GT	SCREW, PHILLIPS, PHM, 10-32 X 1	
34-	6607GT	WASHER, LOCK, #10 PLTD	
35	824078GT	SCREW, HHF, 1/4-20X.75, 8, ZAG	1



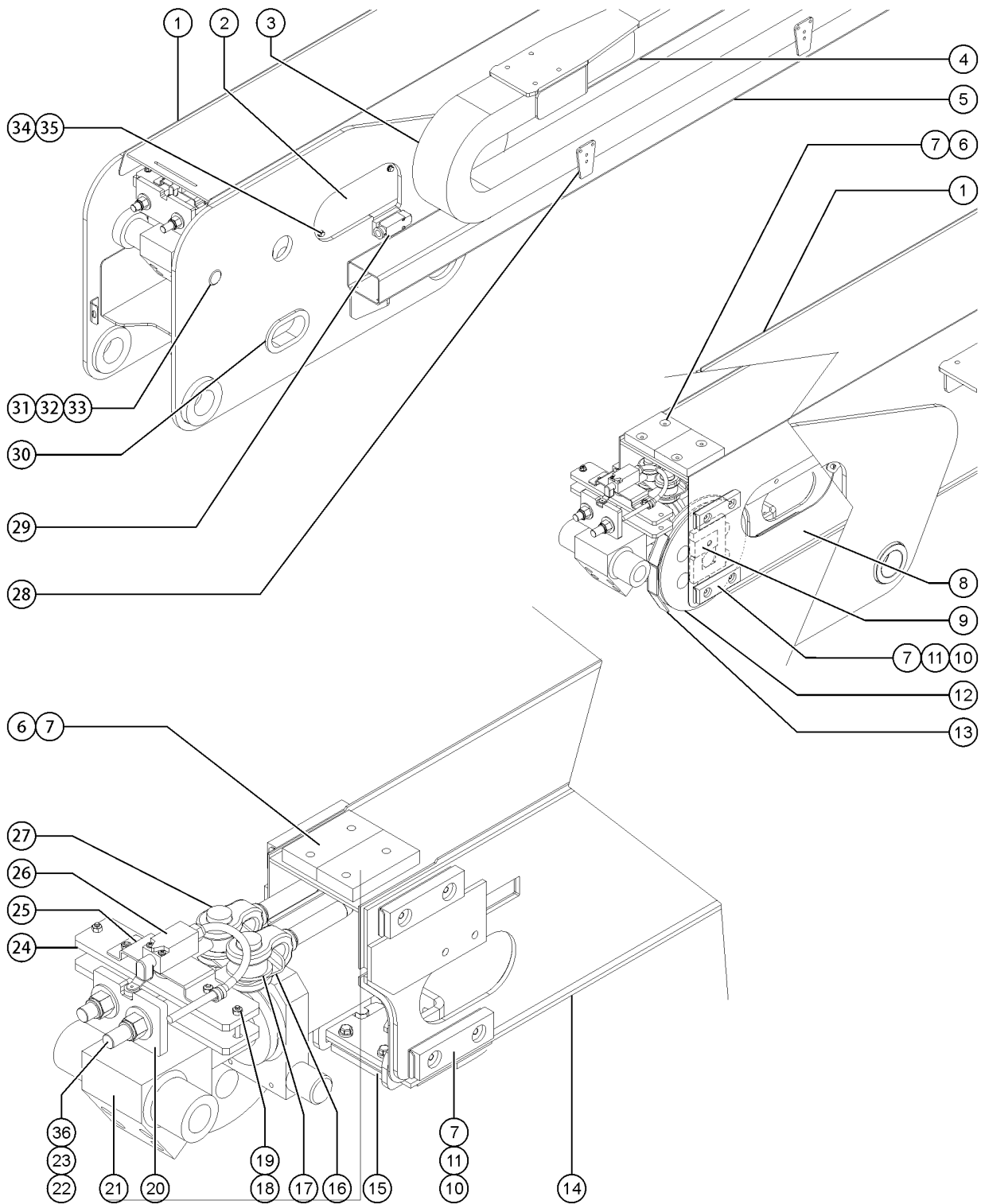
601.2 Linkage Assembly, S-65



Item	Part No.	Description	Qty.
36	147571GT	KEY, HEX, 5/16" X 2.50"LG,SS	1
37	147842GT	PIN, LIFT CYL, HEX END	1
38	1257079GT	WASHER,FLAT,2.01X2.25X.06,ZAG	1
39	81694GT	CYLINDER,MASTER	1
		S-60 and S65 models	
39-	75470GT	SEAL KIT,CYL,S45 MASTER(81694)	
		for 81694	
40	T106508GT	SHORT LINK W/BEARINGS, SERVICE	1
		(includes items 41-43)	
40-	T106413GT	WELDMENT, SHORT LINK, S60/65	1
40-	18720GT	BEARING,2.0IDX2.25ODX1.50L	2
40-	18722GT	BEARING,2.25IDX2.50ODX1.50L ***	2
41	119990GT	PIN,2.25DIAX18.75LG,CHAMFER	1
42	1257080GT	WASHER,FLAT,2.27X3.5X.06,ZAG	6
43	1254639GT	SNAP RING,EXTERNAL,2.25,ZAG	2
44	824078GT	SCREW,HHF,1/4-20X.75,8,ZAG	3
45	56912GT	SPRING CLIP,1/4-20,.025-.15X.5	3
46	1286774GT	WELDMENT,HOSE/HARNESS HANGER	3



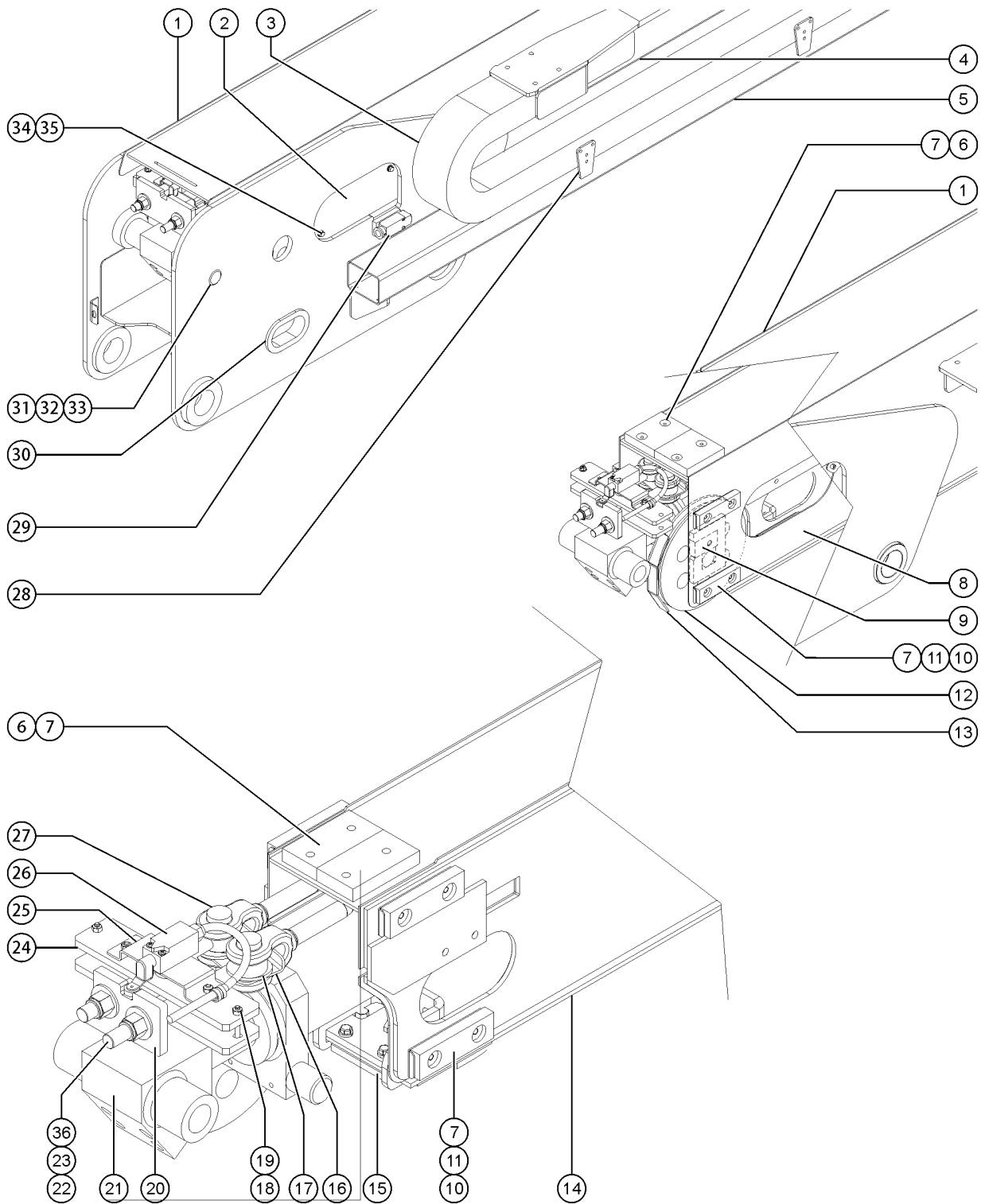
602.1 Boom Components, View 1, S-60



Item	Part No.	Description	Qty.
A-	88919GT	BEARING,FL,2.25IDX2.50ODX1.63L sold separately	4
B-	18720GT	BEARING,2.0IDX2.25ODX1.50L sold separately	2
C-	30370GT	BEARING,1.25IDX1.5ODX1.00L sold separately	1
1	1284165GT	WELDMENT,BOOM SECTION #1	1
2	77882PGT	COVER,RH,BOOM SECTION #1	1
2B	147403GT	COVER,LH,BOOM SECTION #1	1
3		Ref: Cable Track refer to 609.1	1
4		Ref: Cable Track Tube refer to 609.1	1
5		Ref: Cable Track Tray refer to 609.1	1
6	34124GT	WEAR PAD,5 X 3 X .625 W/NUTS	4
6-	1283442GT	SHIM, WEAR PAD, 3X5	
7	824089GT	SCREW,HHF,3/8-16X.75,8,ZAG	
8	147617GT	WELDMENT, BOOM SECTION #2 S-60X models	1
8B	1284148GT	WELDMENT,BOOM SECTION #2 S-60, S-65, S-60TRAX and S-65TRAX models	1
9	1284147GT	CAP,EXTENSION	1
9-	824090GT	SCREW,HHF,3/8-16X1,8,ZAG not Included, Sold Separately	
10	30138GT	WEAR PAD,5 X 1.5 X .625 W/NUTS	
11	1283888GT	SHIM,WEAR PAD,5X 1.5 16GA qty as needed	
12	88568GT	SHEAVE,RETRACT CABLE(SMALLER)	2
13	107665PGT	COVER,RETRACT SHEAVE,PAINTED	1
14	1285854GT	WELDMENT,BOOM SECTION #3	1
14-	34245GT	BEARING,1.25IDX1.50X1.25L	2
15	77718GT	WEAR PAD,5 X 3 X .75	1
15-	1283442GT	SHIM, WEAR PAD, 3X5 not Included, Sold Separately	
15-	38621GT	SHIM,PAD,5 X 3 not Included, Sold Separately	
15-	824090GT	SCREW,HHF,3/8-16X1,8,ZAG not Included, Sold Separately	
16	77618PGT	PLATE,ANTIROTATION	1
17	1256119GT	WASHER,SHIM,1.01X1.63X.062,ZAG	2



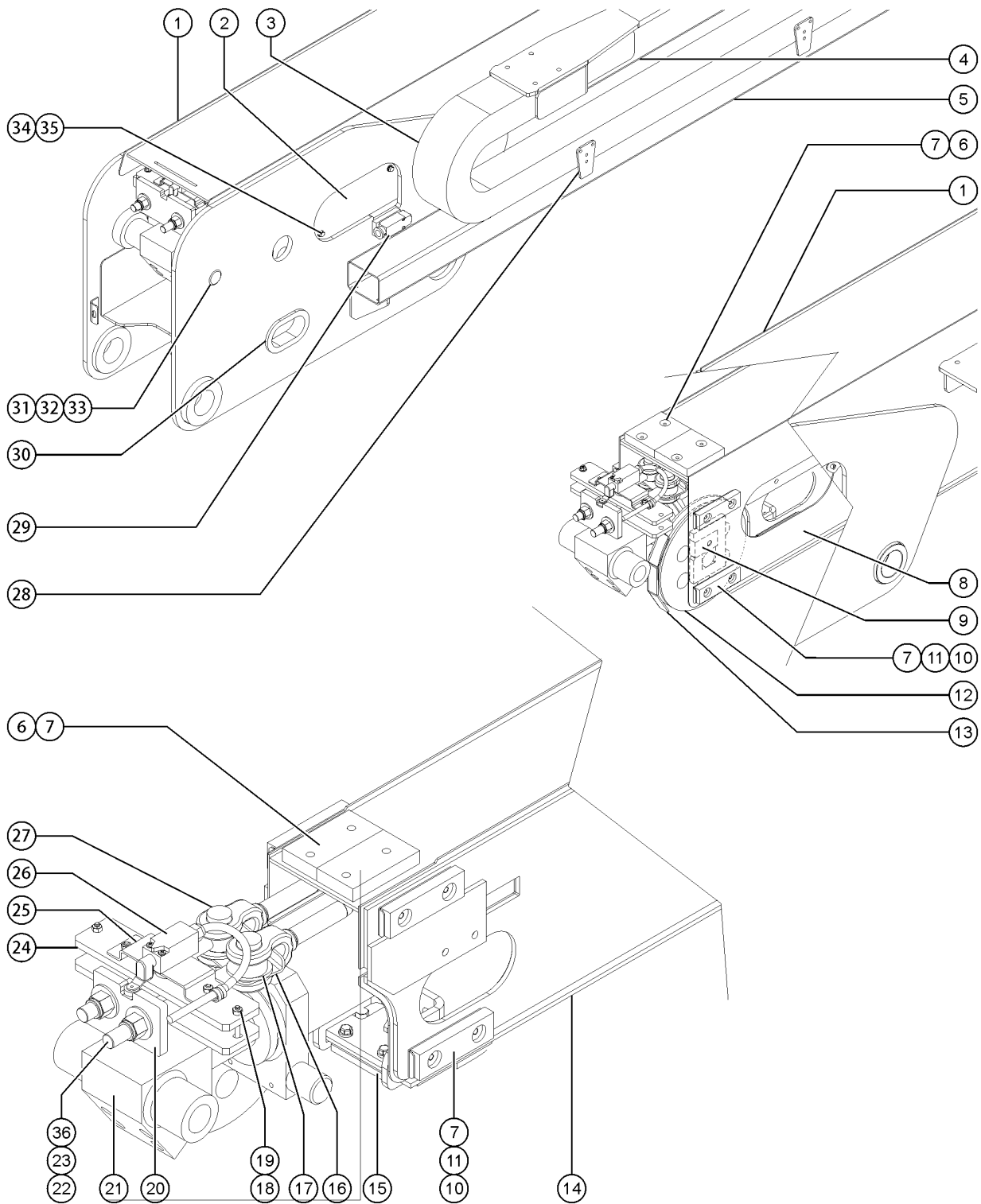
602.1 Boom Components, View 1, S-60



Item	Part No.	Description	Qty.
18	824027GT	NUT,TL FLG,1/4-20,G,ZAG	2
19	824083GT	SCREW,HHF,1/4-20X2.5,8,ZAG	2
20	77795GT	MACHINED PIVOT PLATE WELDMENT	1
21	88571GT	CYLINDER,BOOM EXTENSION	1
21-	88667GT	VALVE,CB.CBCA-LHN@1500PSI***	1
21-	74872GT	VALVE,COUNTERBALANCE 3000 PSI*	1
21-	101251GT	SEAL KIT (88571)	
22	77656GT	ROD END,CABLE	2
23	77051GT	NUT,NYLOCK,3/4-10,GRD.8	2
24	77654PGT	PLATE,ROCKER	2
25	77653PGT	FORMING,LIMIT SWITCH BRACKET	1
25-	824079GT	SCREW,HHF,1/4-20X1,8,ZAG not Included, Sold Separately	
25-	824027GT	NUT,TL FLG,1/4-20,G,ZAG not Included, Sold Separately	
26		Ref: Harness, Cable Tension Limit Switch refer to 308.1	1
26-	88356-13103GT	SWITCH,LIMIT,W/RLLR ARM,NO/NC	
26-	119067GT	CONN,RECEP 4 WAY ENDCAP DT	
26-	60443GT	LOCK, RECEP 4WAY, 14-18GA	
26-	73713GT	TERM,NI PIN,S&F,16-18GA,REEL	
26-	43960GT	WIRE CABLE,16/4 CON.TPE JKT	15
26-	73725GT	BOOT,DTSCH,DTP4-BT	
26-	19491GT	CONTACTOR,LIMIT SWITCH	
26-	97128GT	ROLLER ARM,LIMIT SWITCH***	
27	19440GT	PIN,CLEVIS,1 X 2.5 LG	2
28		Ref: Cable Track Guide refer to 609.1	10
29		Ref: Harness, Primary Ext/Ret Limit Switch refer to 308.1	1
29-	88356-14963GT	SWITCH,LIMIT,W/RLLR ARM,NO/NC	
30	71768GT	GROMMET,4.00 GRV. X .75 THK.	1
31	81856GT	PIN,1.50DIAX13.43LG,2RING	1



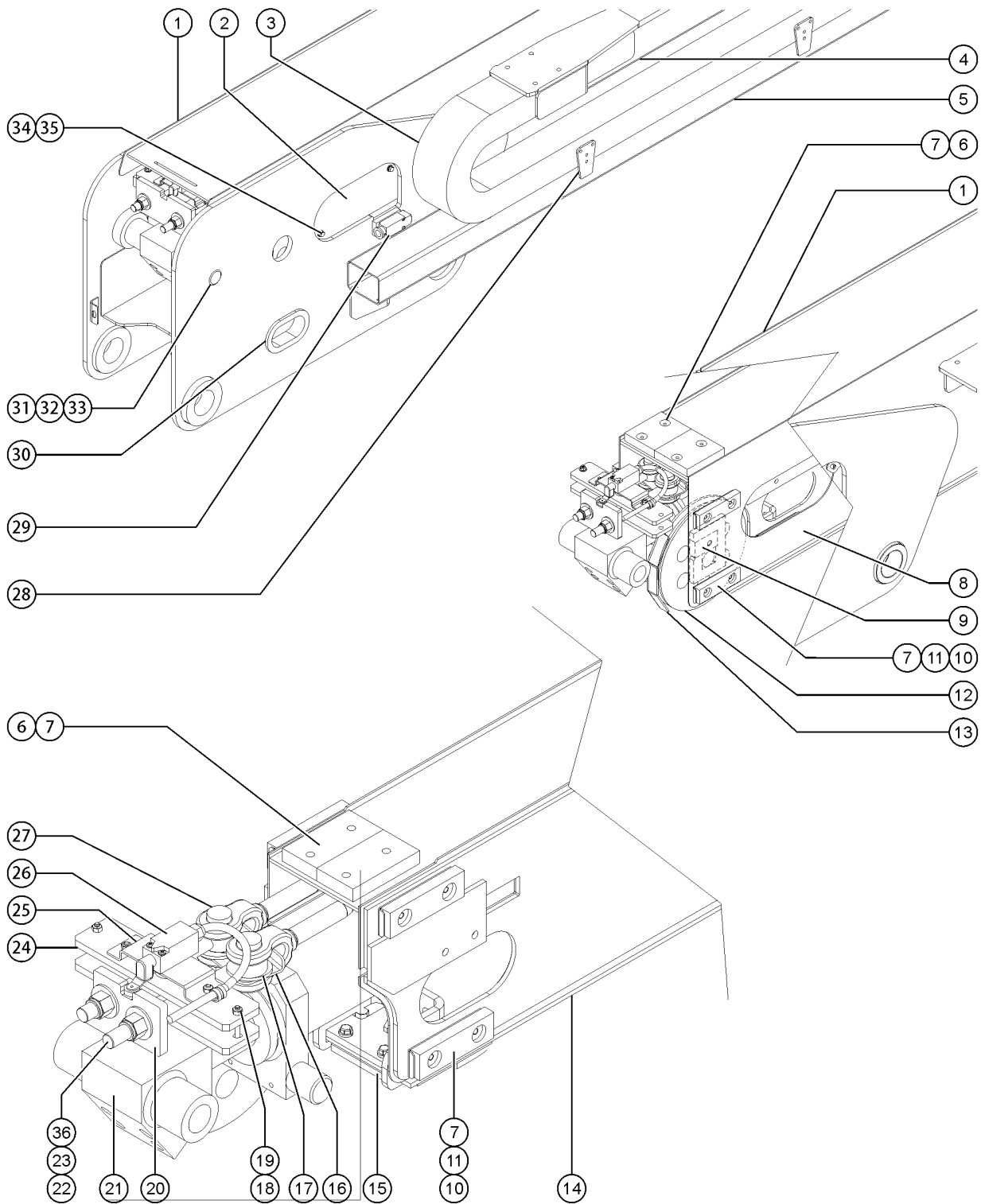
602.1 Boom Components, View 1, S-60



<i>Item</i>	<i>Part No.</i>	<i>Description</i>	<i>Qty.</i>
32	825796GT	SNAP RING,EXTERNAL,1.50,ZAG	2
33	1251565GT	WASHER,SHIM,1.56X2.5X.061,ZAG	
34	824078GT	SCREW,HHF,1/4-20X.75,8,ZAG	
35	56912GT	SPRING CLIP,1/4-20,.025-.15X.5	
36	1255761GT	WASHER,FLAT,3/4,USS,HRD,ZAG	2



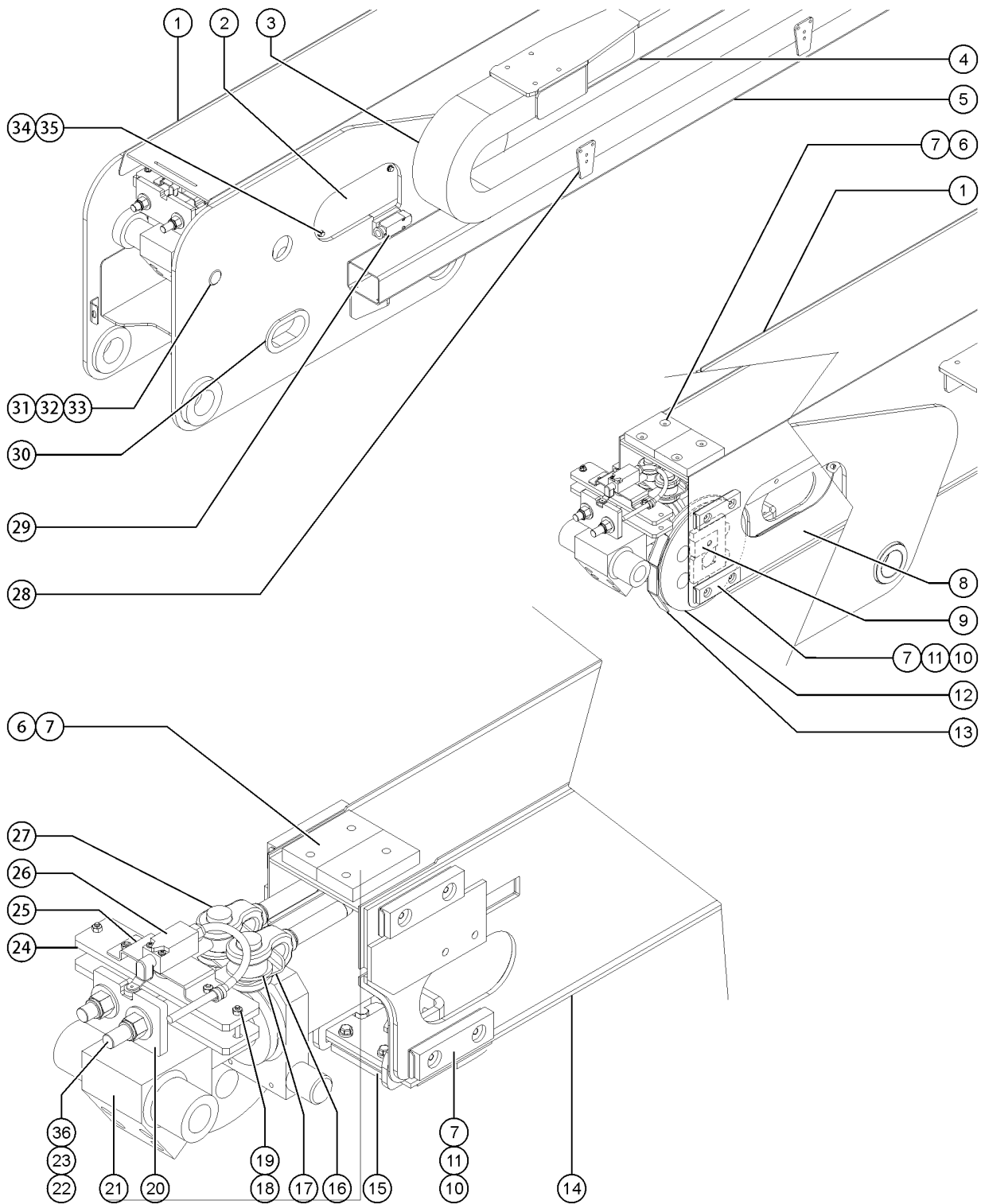
602.2 Boom Components, View 1, S-65



Item	Part No.	Description	Qty.
A	88919GT	BEARING,FL,2.25IDX2.50ODX1.63L sold separately	4
B	18720GT	BEARING,2.0IDX2.25ODX1.50L sold separately	2
C	30370GT	BEARING,1.25IDX1.5ODX1.00L sold separately	1
1	1284165GT	WELDMENT,BOOM SECTION #1	1
2	77882PGT	COVER,RH,BOOM SECTION #1	1
2B	147403GT	COVER,LH,BOOM SECTION #1	1
3		Ref: Cable Track refer to 609.1	1
4		Ref: Cable Track Tube refer to 609.1	1
5		Ref: Cable Track Tray refer to 609.1	1
6	34124GT	WEAR PAD,5 X 3 X .625 W/NUTS	4
6-	34344GT	SHIM,SIDE PAD 16GA. 3 X 5	
7	824089GT	SCREW,HHF,3/8-16X.75,8,ZAG	
8B	1284148GT	WELDMENT,BOOM SECTION #2 S-60, S-65, S-60TRAX and S-65TRAX models	1
9	1284147GT	CAP,EXTENSION	1
9-	824090GT	SCREW,HHF,3/8-16X1.8,ZAG not Included, Sold Separately	
10	30138GT	WEAR PAD,5 X 1.5 X .625 W/NUTS	
11	29080GT	SHIM,WEAR PAD,5X 1.5 16GA qty as needed	
12	88568GT	SHEAVE,RETRACT CABLE(SMALLER)	2
13	107665PGT	COVER,RETRACT SHEAVE,PAINTED	1
14	1285854GT	WELDMENT,BOOM SECTION #3	1
14-	34245GT	BEARING,1.25IDX1.50X1.25L	2
15	77718GT	WEAR PAD,5 X 3 X .75	1
15-	34344GT	SHIM,SIDE PAD 16GA. 3 X 5 not Included, Sold Separately	
15-	38621GT	SHIM,PAD,5 X 3 not Included, Sold Separately	
15-	824090GT	SCREW,HHF,3/8-16X1.8,ZAG not Included, Sold Separately	
16	77618PGT	PLATE,ANTIROTATION	1
17	1256119GT	WASHER,SHIM,1.01X1.63X.062,ZAG	2
18	824027GT	NUT,TL FLG,1/4-20,G,ZAG	2



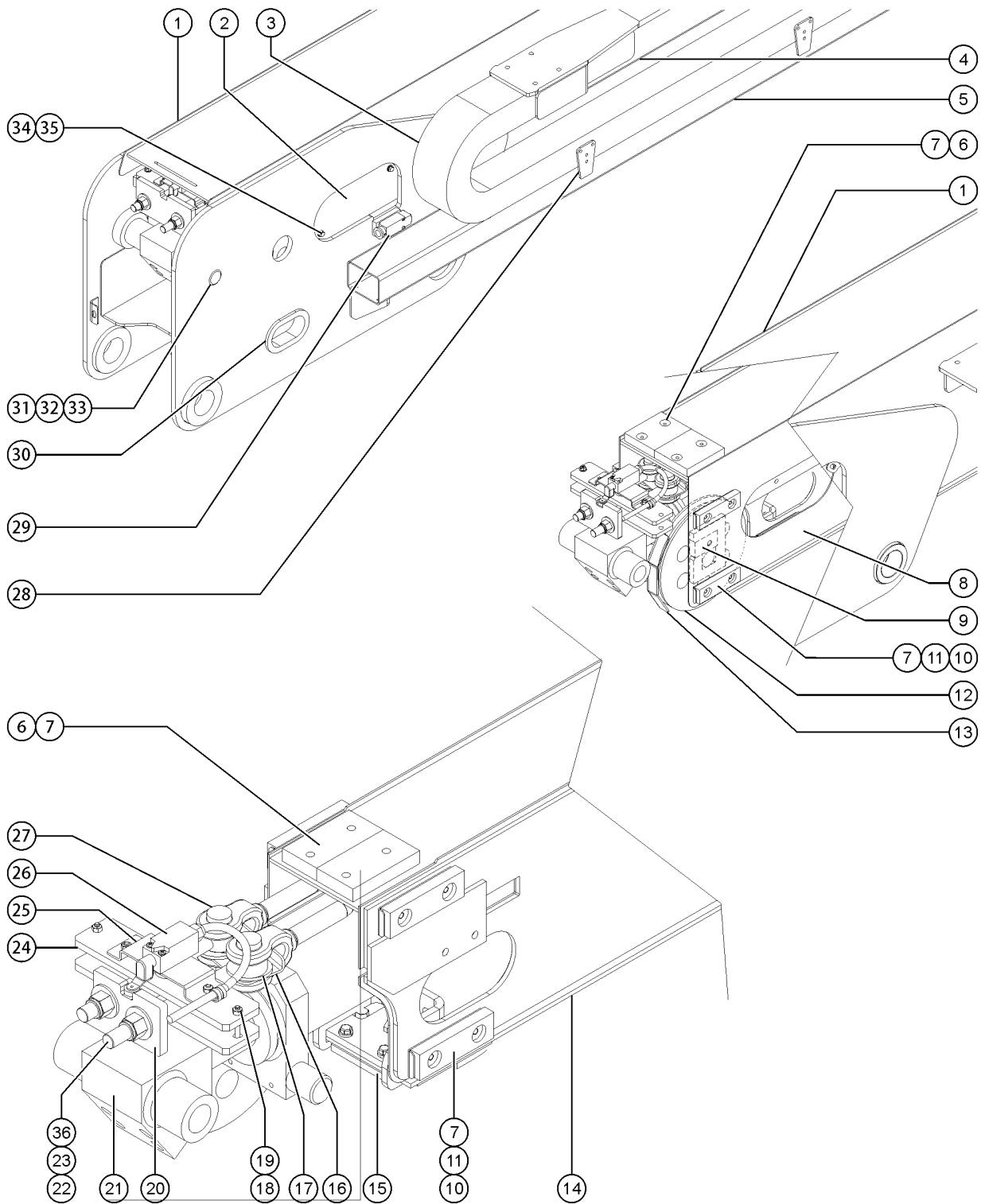
602.2 Boom Components, View 1, S-65



Item	Part No.	Description	Qty.
19	824083GT	SCREW,HHF,1/4-20X2.5,8,ZAG	2
20	77795GT	MACHINED PIVOT PLATE WELDMENT	1
21	88571GT	CYLINDER,BOOM EXTENSION	1
21-	88667GT	VALVE,CB.CBCA-LHN@1500PSI***	1
21-	74872GT	VALVE,COUNTERBALANCE 3000 PSI*	1
21-	101251GT	SEAL KIT (88571)	
22	77656GT	ROD END,CABLE	2
23	77051GT	NUT,NYLOCK,3/4-10,GRD.8	2
24	77654PGT	PLATE,ROCKER	2
25	77653PGT	FORMING,LIMIT SWITCH BRACKET	1
25-	824079GT	SCREW,HHF,1/4-20X1,8,ZAG	
		not Included, Sold Separately	
25-	824027GT	NUT,TL FLG,1/4-20,G,ZAG	
		not Included, Sold Separately	
26		Ref: Harness, Cable Tension Limit Switch	1
		refer to 308.1	
26-	88356-13103GT	SWITCH,LIMIT,W/RLLR ARM,NO/NC	
26-	119067GT	CONN,RECEP 4 WAY ENDCAP DT	
26-	60443GT	LOCK, RECEP 4WAY, 14-18GA	
26-	73713GT	TERM,NI PIN,S&F,16-18GA,REEL	
26-	43960GT	WIRE CABLE,16/4 CON.TPE JKT	15
26-	73725GT	BOOT,DTSCH,DTP4-BT	
26-	19491GT	CONTACTOR,LIMIT SWITCH	
26-	97128GT	ROLLER ARM,LIMIT SWITCH***	
27	19440GT	PIN,CLEVIS,1 X 2.5 LG	2
28		Ref: Cable Track Guide	10
		refer to 609.1	
29		Ref: Harness, Primary Ext/Ret Limit Switch	1
		refer to 308.1	
29-	88356-14963GT	SWITCH,LIMIT,W/RLLR ARM,NO/NC	
30	71768GT	GROMMET,4.00 GRV. X .75 THK.	1
31	81856GT	PIN,1.50DIAX13.43LG,2RING	1
32	825796GT	SNAP RING,EXTERNAL,1.50,ZAG	2



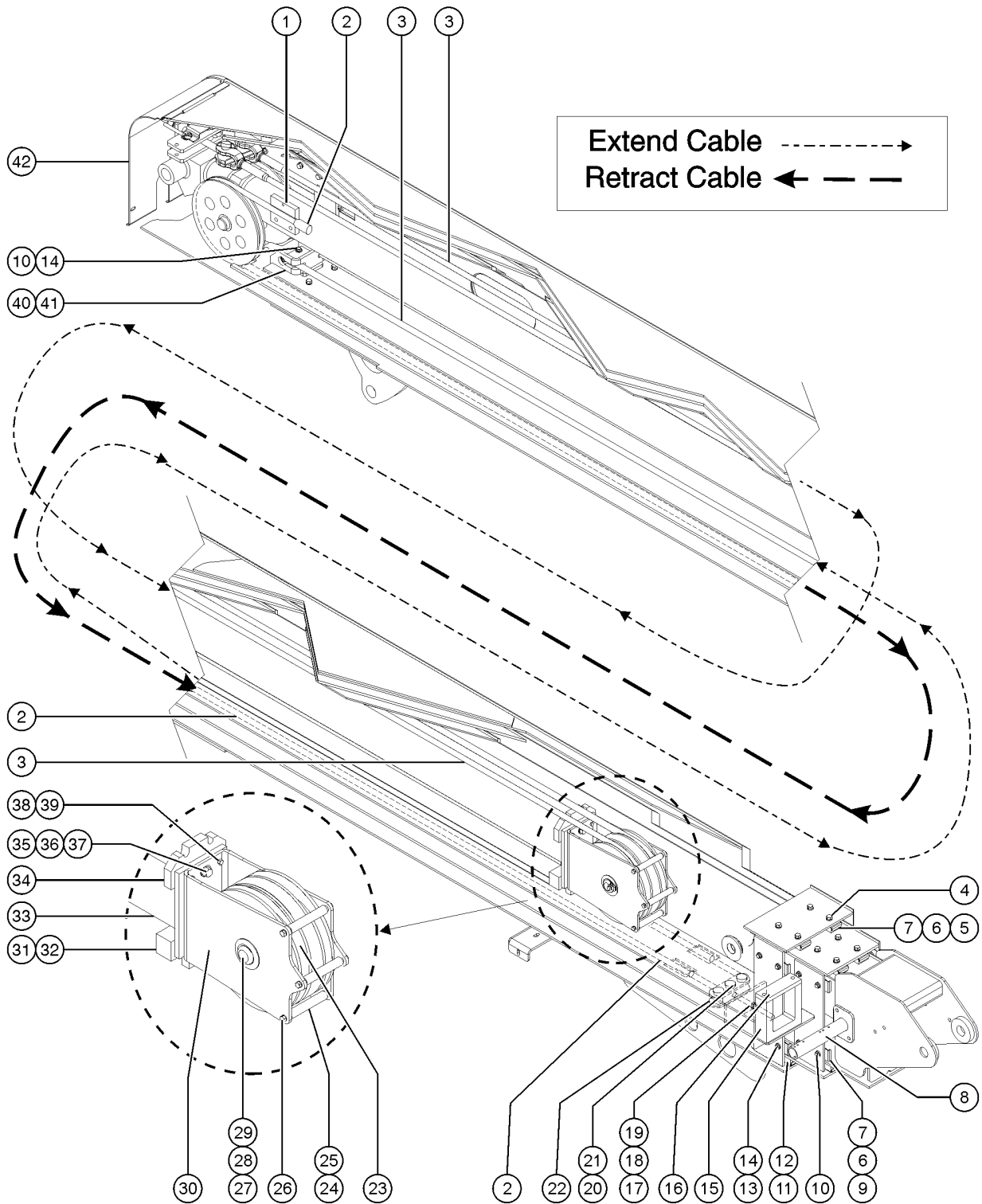
602.2 Boom Components, View 1, S-65



<i>Item</i>	<i>Part No.</i>	<i>Description</i>	<i>Qty.</i>
33	1251565GT	WASHER,SHIM,1.56X2.5X.061,ZAG	
34	824078GT	SCREW,HHF,1/4-20X.75,8,ZAG	
35	56912GT	SPRING CLIP,1/4-20,.025-.15X.5	
36	1255761GT	WASHER,FLAT,3/4,USS,HRD,ZAG	2



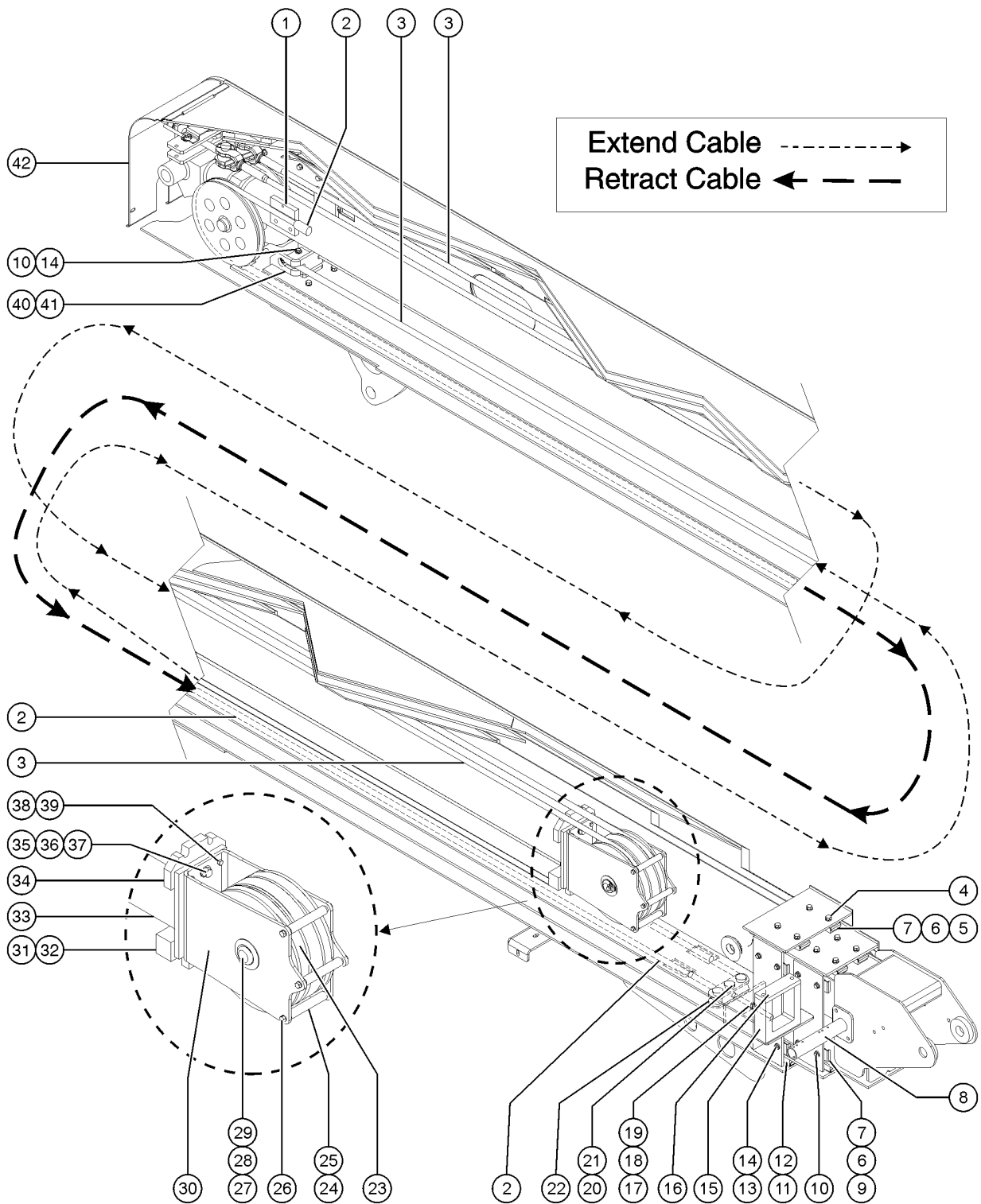
603.1 Boom Components, View 2



Item	Part No.	Description	Qty.
A	94510GT	TOOL,CABLE GRIP, 7/16" for installation of 214690	
1	77616PGT	PLATE,BOTTOM BLOCK,PAINTED	1
2	88570GT	CABLE ASSEMBLY,RETRACT*** (one end mounts at the base, the other end mounts at the top of the mast)	1
3	88569GT	CABLE ASSEMBLY,EXTEND*** (both ends mount at the base of the mast)	1
4	824090GT	SCREW,HHF,3/8-16X1,8,ZAG	8
5	30138GT	WEAR PAD,5 X 1.5 X .625 W/NUTS	8
6	38620GT	SHIM,WEAR PAD,5 X 1.5,14GA	16
7	1283888GT	SHIM,WEAR PAD,5X 1.5 16GA	16
8		Ref: Weldment Track Pull Tube refer to 609.1	1
9	34125GT	WEAR PAD,5 X 1.5 X .75 W/NUTS	8
10	824091GT	SCREW,HHF,3/8-16X1.25,8,ZAG	
11	1283442GT	SHIM, WEAR PAD, 3X5	4
12	77718GT	WEAR PAD,5 X 3 X .75	4
13	1255629GT	SCREW,BHC,3/8-16X1.25,F835,ZAG	
14	824110GT	WASHER, LOCK, 3/8, ZAG	
15		Ref: Hose/Cable Clamps refer to 609.1	1
16		Ref: Bar Clamp, Cable Track refer to 609.1	1
17	77051GT	NUT,NYLOCK,3/4-10,GRD.8	1
18	1255761GT	WASHER,FLAT,3/4,USS,HRD,ZAG	1
19	77656GT	ROD END,CABLE	1
20	826379GT	PIN,CLEVIS,1X2.250,ZAG	4
21	13635-10GT	PIN,COTTER,.156 X 1.75	4
22	88796GT	PLATE,RETRACTION CABLE EQUALIZ	2
23	88567GT	SHEAVE,EXTENSION CABLE(LARGER)	1
24	77648GT	ROLLER,1/2" PVC	1
25	77649GT	ROLLER,1/2" ALUMINUM	1
26	824078GT	SCREW,HHF,1/4-20X.75,8,ZAG	3
27	88793GT	PIN,1.5 X 5.50 LG	1



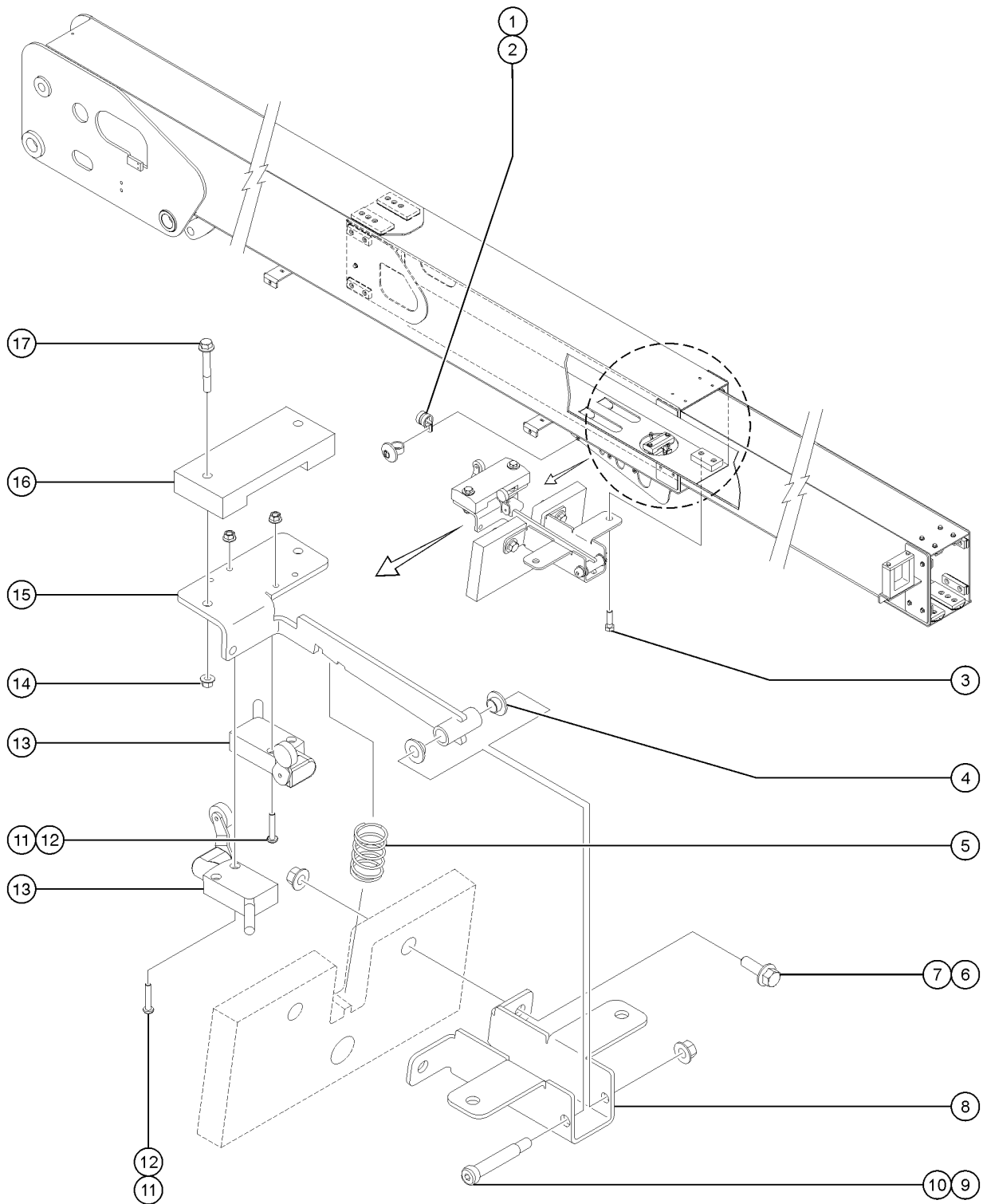
603.1 Boom Components, View 2



<i>Item</i>	<i>Part No.</i>	<i>Description</i>	<i>Qty.</i>
28	825796GT	SNAP RING,EXTERNAL,1.50,ZAG	2
29	1251565GT	WASHER,SHIM,1.56X2.5X.061,ZAG	
30	139384GT	BRACKET, EXTEND SHEAVE	1
31	139288GT	GUIDE, EXT. CABLE, BOTTOM	1
32	1256122GT	SCREW,HHC,3/8-16X4,8,ZAG	2
33		Ref: Extension Cylinder	
		refer to 602.1	
34	139385GT	GUIDE, EXT CABLE, TOP	1
35	1255782GT	SCREW,HHC,1/2-13X2.0,8,ZAG	2
36	825353GT	WASHER,FLAT,1/2,SAE,HRD,ZAG	
37	1256106GT	NUT,TL,1/2-13,C,ZAG	
38	1252978GT	SCREW,HHC,3/8-16X2.25,8,ZAG	
39	824029GT	NUT,TL FLG,3/8-16,G,ZAG	
40	77688GT	WELDMENT,EXTENSION BRACKET	1
41	77713PGT	PLATE,TAP BLOCK	1
42	101066PGT	COVER,PRIMARY BOOM,PAINTED	1



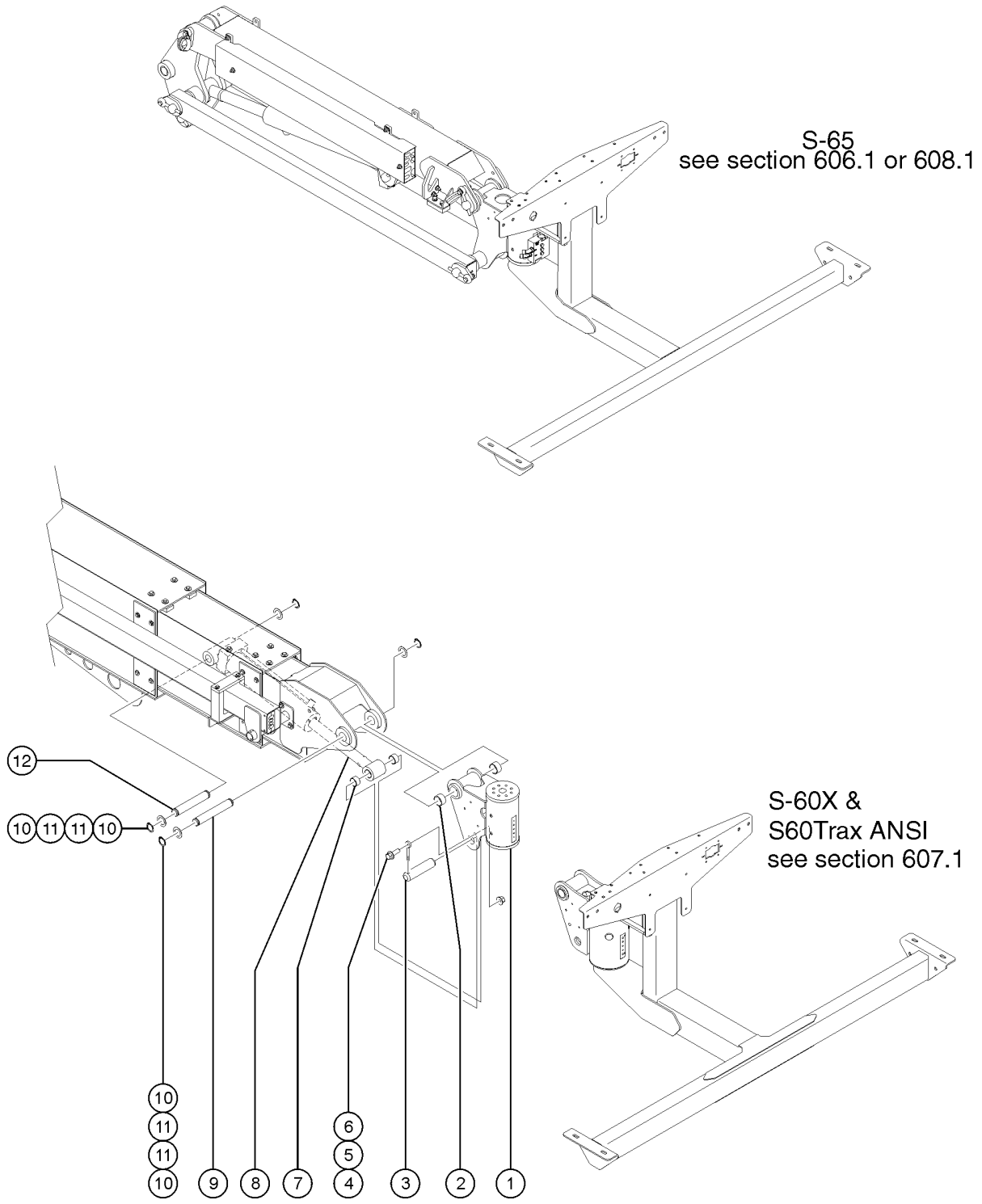
604.1 Boom Limit Switch -S-60X, ANSI Models



<i>Item</i>	<i>Part No.</i>	<i>Description</i>	<i>Qty.</i>
1	45470GT	CLAMP,0.31,#5 X 1/4,RUB CUSH	1
2	56361GT	CABLE TIE,BUTTON,BLACK,14.75LG	3
3	824068GT	SCREW,HHC,3/8-16X1.25,8,ZAG	2
4	47222GT	WASHER, SHOULDER, NYLON	2
5	T112459GT	SPRING,0.984"OD X 1.50"LG	1
6	824092GT	SCREW, HHF, 3/8-16 X 1.5, 8, ZAG	2
7	824029GT	NUT,TL FLG,3/8-16,G,ZAG	2
8	147504GT	COVER, LIMIT SWITCH ARM MOUNT	1
9	1257863GT	BOLT,SHS,3/8X1.75X5/16-18,ZAG	1
10	824028GT	NUT,TL FLG,5/16-18,G,ZAG	1
11	1258189GT	SCREW,PHPM,8-32X1,ZAG	4
12	1255803GT	NUT,TL FLG,8-32,F,ZAG	4
13	139644-14B61GT	LIMIT SWITCH,BLUE,MICRO LSB1ES and LSB1EO, refer to 308.1 for wire harnesses	2
14	824027GT	NUT,TL FLG,1/4-20,G,ZAG	2
15	230329GT	WELDMENT, LIMIT SWITCH ARM	1
16	230331GT	WEARPAD, LIMIT SWITCH GUIDE	1
17	824081GT	SCREW, HHF, 1/4-20 X 1.5, 8, ZAG	2



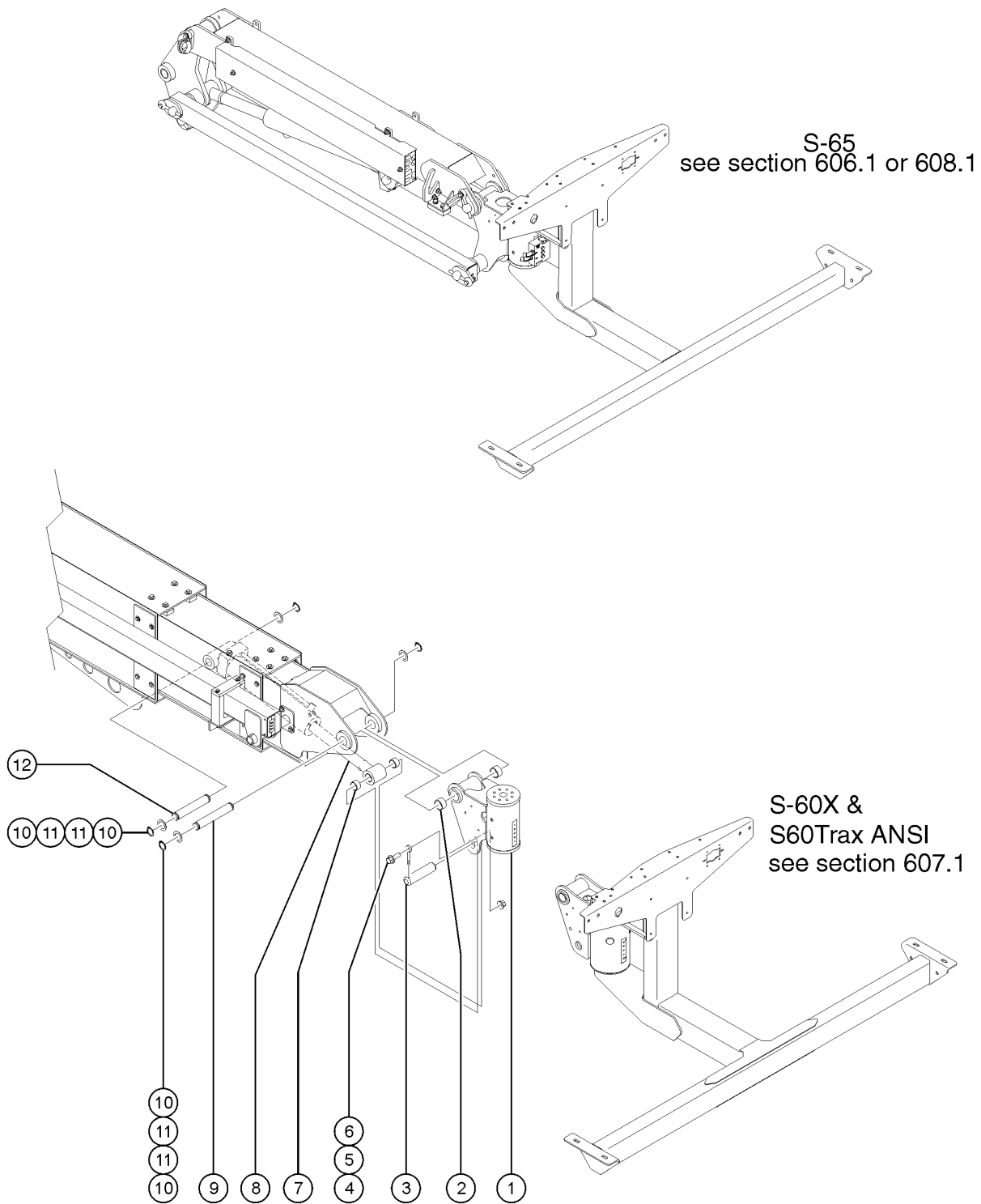
605.1 Boom End Components, S-60, and S-65TraX



Item	Part No.	Description	Qty.
1	88576GT	ROTATOR, NON-JIB Includes item 2; S-60 CE only	1
1-	122944GT	SEAL KIT, 8K ROTATOR***	
1-	88516GT	SCREW, BLEEDER, M5X0.8	
2	30370GT	BEARING, 1.25IDX1.5ODX1.00L	4
3	T108075GT	PIN, 1.25DIA X 5.25LG, 1HOLE	1
4	824091GT	SCREW, HHF, 3/8-16 X 1.25, 8, ZAG	1
5	825019GT	ROD END, .375 X 3.69, ZAG	1
6	824029GT	NUT, TL FLG, 3/8-16, G, ZAG	1
7	25683GT	BEARING, POLYGON, 20DU12	4
8	63566GT	CYLINDER, PLATFORM LEVEL *** Includes item 7	1
8-	101254GT	SEAL KIT (63566)	
8-	77303GT	VALVE, CNTRBAL 3500 PSI, ATM VEN	
9	T111124GT	PIN, 1.25DIA X 8.42LG, 2RING	1
10	824164GT	SNAP RING, EXTERNAL, 1.25, ZAG	4
11	824151GT	WASHER, SHIM, 1.270 X 2.130 X .062, Z	as -n ee ded
12	88870GT	PIN, 1.25DIA X 7.47LG, 2RING	1



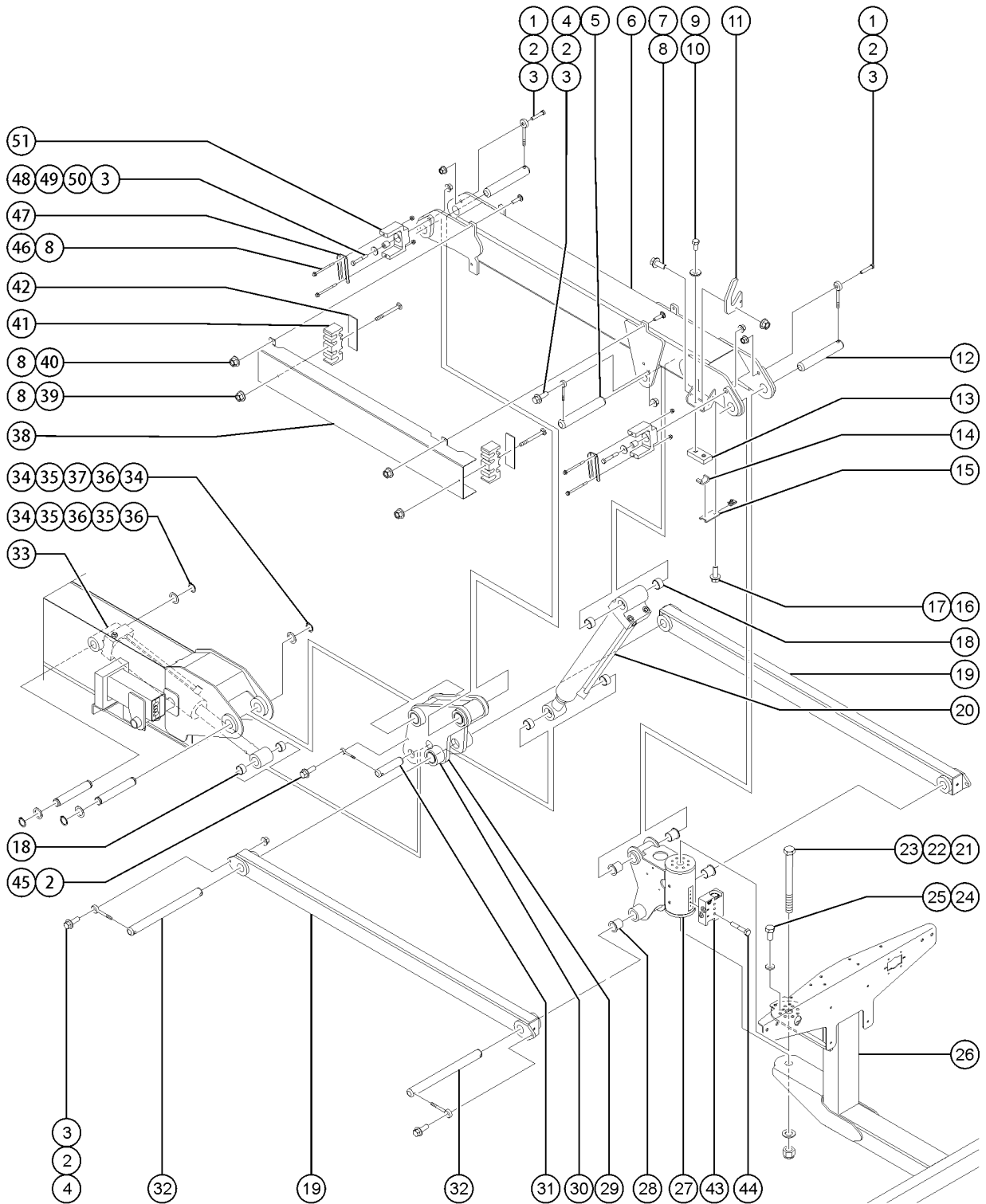
605.2 Boom End Components, S-60, and S-65TraX



Item	Part No.	Description	Qty.
1	88576GT	ROTATOR, NON-JIB Includes item 2; S-60 CE only	1
1-	122944GT	SEAL KIT, 8K ROTATOR***	
1-	88516GT	SCREW, BLEEDER, M5X0.8	
2	30370GT	BEARING, 1.25IDX1.5ODX1.00L	4
3	T108075GT	PIN, 1.25DIAX5.25LG, 1HOLE	1
4	824091GT	SCREW, HHF, 3/8-16X1.25, 8, ZAG	1
5	825019GT	ROD END, .375X3.69, ZAG	1
6	824029GT	NUT, TL FLG, 3/8-16, G, ZAG	1
7	25683GT	BEARING, POLYGON, 20DU12	4
8	63566GT	CYLINDER, PLATFORM LEVEL *** Includes item 7	1
8-	101254GT	SEAL KIT (63566)	
8-	77303GT	VALVE, CNTRBAL 3500 PSI, ATM VEN	
9	T111124GT	PIN, 1.25DIAX8.42LG, 2RING	1
10	824164GT	SNAP RING, EXTERNAL, 1.25, ZAG	4
11	824151GT	WASHER, SHIM, 1.270X2.130X.062, Z	as -n ee ded
12	88870GT	PIN, 1.25DIAX7.47LG, 2RING	1

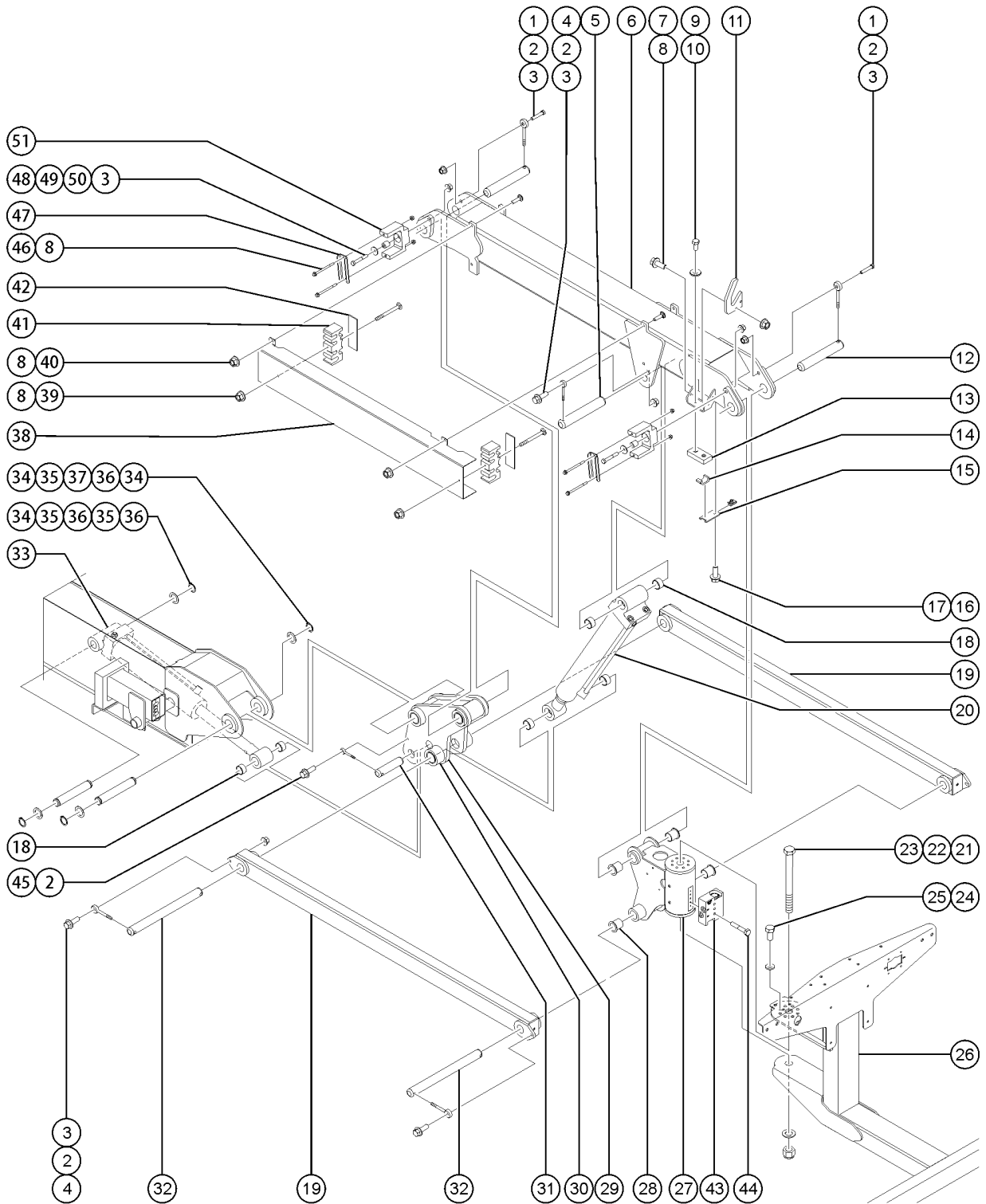


606.1 Boom End Components, S-65



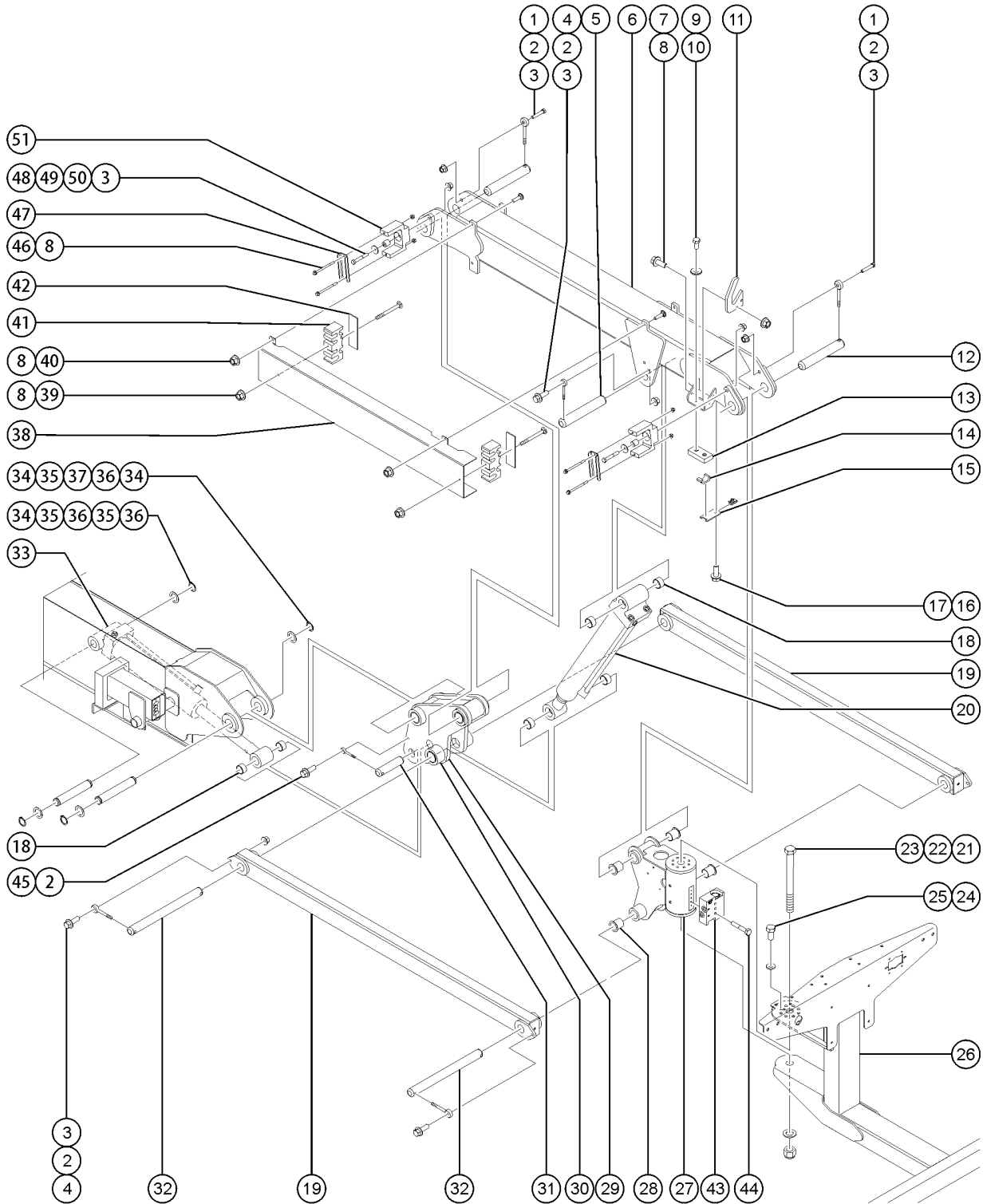
Item	Part No.	Description	Qty.
1	1253478GT	SCREW,HHF,3/8-16X2,8,ZAG	2
2	825019GT	ROD END, .375X3.69, ZAG	
3	824029GT	NUT,TL FLG,3/8-16,G,ZAG	
4	824092GT	SCREW, HHF, 3/8-16 X 1.5, 8, ZAG	
5	T108077GT	PIN,1.25DIAX7.00LG,1HOLE	1
6	128450GT	MACHINING, JIB BOOM WELDMNT**	1
7	824079GT	SCREW,HHF,1/4-20X1,8,ZAG	
8	824027GT	NUT,TL FLG,1/4-20,G,ZAG	
9	1256109GT	SCREW,HHC,3/8-16X.75,8,ZAG	
10	824110GT	WASHER, LOCK, 3/8, ZAG	
11	128482GT	HOSE GUIDE, JIB	1
12	T108076GT	PIN,1.25DIAX7.88LG,1HOLE	2
13	81640GT	WEAR PAD,3 X 1.5 X.625 W/NUTS	
14	119542GT	CLAMP,TWO HOSE	1
15	119536PGT	BRACKET,HOSE CLAMP,PAINTED	1
16	824078GT	SCREW,HHF,1/4-20X.75,8,ZAG	
17	56912GT	SPRING CLIP,1/4-20,.025-.15X.5	1
18	25683GT	BEARING,POLYGON,20DU12	4
19	1274511GT	MACHINING, COMPRESSION LINK	2
20	63213GT	CYLINDER,JIB (STICK BOOMS)	1
		includes item 18	
20-	33428GT	VALVE,COUNTERBALANCE	
20-	63353GT	SEAL KIT,CYL,S65 (63213)	
21	826792GT	SCREW,HHC,1-8X11,5,ZAG	1
22	824116GT	WASHER, FLAT, F436, 1.0, ZAG	2
23	1257081GT	NUT,1-8,8,ZAG	1
24	826791GT	SCREW,HHC,3/8-16X.875,8,ZAG	8
25	826793GT	WASHER,FLAT,3/8,SAE,HRD,ZAG	8
26	60370-SGT	PLATFORM SUPPORT WELDMNT-SERV*	1

606.1 Boom End Components, S-65



Item	Part No.	Description	Qty.
26B	1293344GT	WELDMENT, PLATFORM SUPPORT 4' platform	1
27	94397GT	ROTATOR,PLAT JIB,160 DEG*** includes bearing item 28	1
27-	122944GT	SEAL KIT,8K ROTATOR*** for 94397	
27-	88516GT	SCREW,BLEEDER,M5X0.8 for 94397	
27-	75395GT	BEARING KIT,PLAT ROTATOR,SUPER for 94397	
28	30222GT	BEARING,FL,1.25IDX1.41ODX1.50L for 94397	4
29	1289119GT	ASSY,JIB BELL CRANK for 94397	1
29-	35675GT	BEARING,FL,1.25IDX1.5ODX1.25L for 94397	4
29-	128268GT	BEARING,FL, 1.25X1.5X2.13 for 94397	2
29-	77992GT	BELLCRANK MACHINED,JIB for 94397	1
30	77992GT	BELLCRANK MACHINED,JIB includes bearings item 29 and 33	1
31	T108075GT	PIN,1.25DIAX5.25LG,1HOLE for 94397	1
32	81175GT	PIN,1.25DIAX14.45LG,2HOLE for 94397	2
33	63566GT	CYLINDER,PLATFORM LEVEL *** Includes item 7	1
33-	101254GT	SEAL KIT (63566) for 94397	
33-	77303GT	VALVE, CNTRBAL 3500 PSI, ATM VEN for 94397	
34	30217GT	SNAP RING,EXTERNAL,1.25 DIA.** for 94397	4
35	824151GT	WASHER,SHIM,1.270X2.130X.062,Z for 94397	
36	88870GT	PIN,1.25DIAX7.47LG,2RING for 94397	1
37	T111124GT	PIN,1.25DIAX8.42LG,2RING for 94397	1
38	128454PGT	COVER, JIB HOSES/CABLES for 94397	1
39	1256180GT	BOLT,CARRIAGE,1/4-20X2.75,5,ZAG for 94397	2
40	1256127GT	BOLT,CARRIAGE,1/4-20X1",GR 5,ZAG for 94397	4
41	824551GT	CLAMP,HOSE/CABLE,JIB for 94397	2
42	128483GT	BACKING PLATE, HOSE BLOCK, JIB for 94397	2
43	73807GT	MANIFOLD,ROTATOR,CB*** for 94397	1
44	824081GT	SCREW, HHF, 1/4-20 X 1.5, 8, ZAG for 94397	3
45	824091GT	SCREW,HHF,3/8-16X1.25,8,ZAG for 94397	1

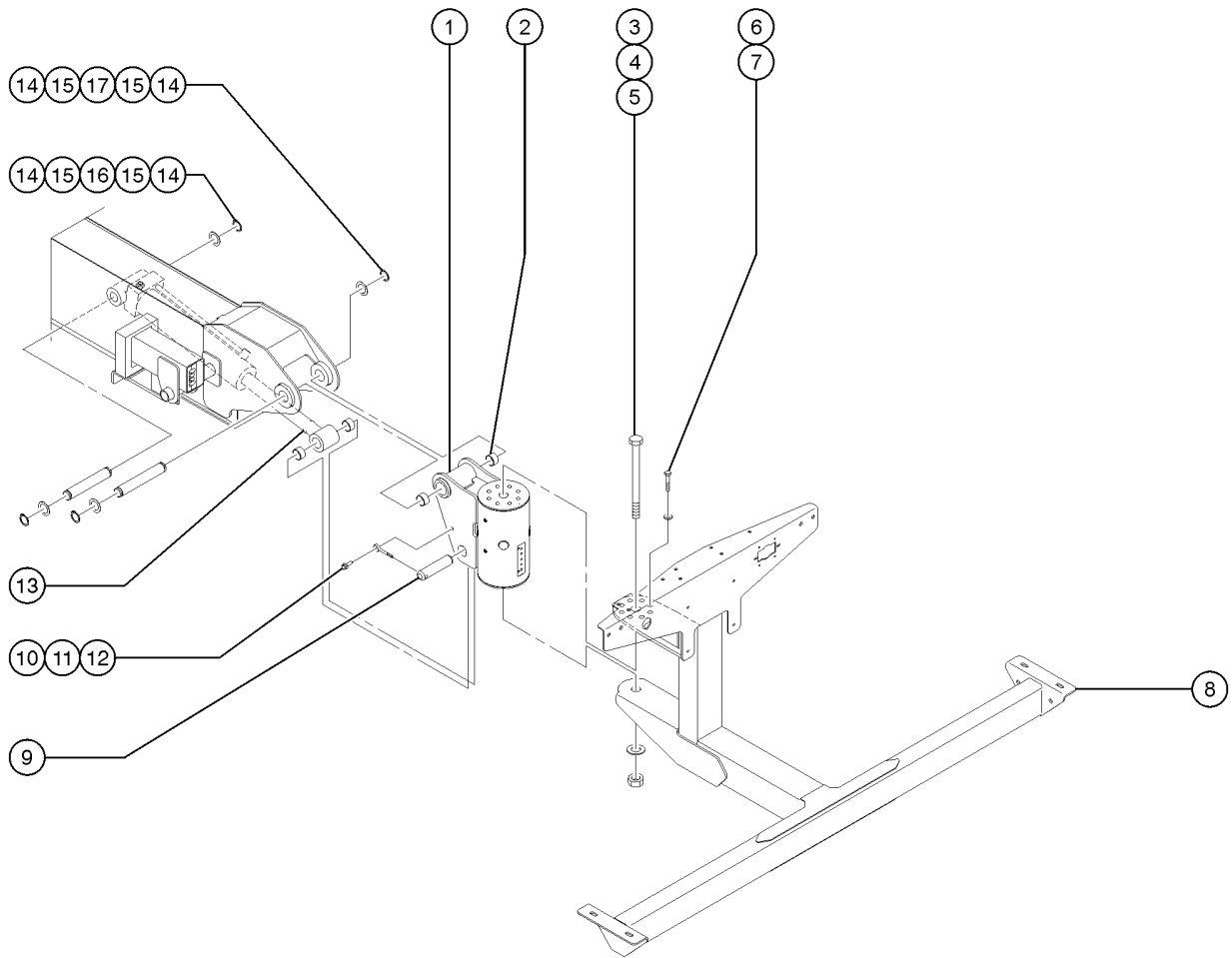
606.1 Boom End Components, S-65



<i>Item</i>	<i>Part No.</i>	<i>Description</i>	<i>Qty.</i>
46	1257867GT	SCREW,HHF,1/4-20X3.5,8,ZAG	4
47	1265019GT	TUBE, CABLE GUIDE	2
48	824069GT	SCREW, HHC, 3/8-16 X 2.5, 8, ZAG	2
49	233509GT	WASHER,FLAT,M10X30X2.5,DIN9021,ZAB	2
50	101932GT	TUBE, RD., STL., DOM .75 X .437 X .78	2
51	1284741GT	UHMW,CABLE GUIDE	2



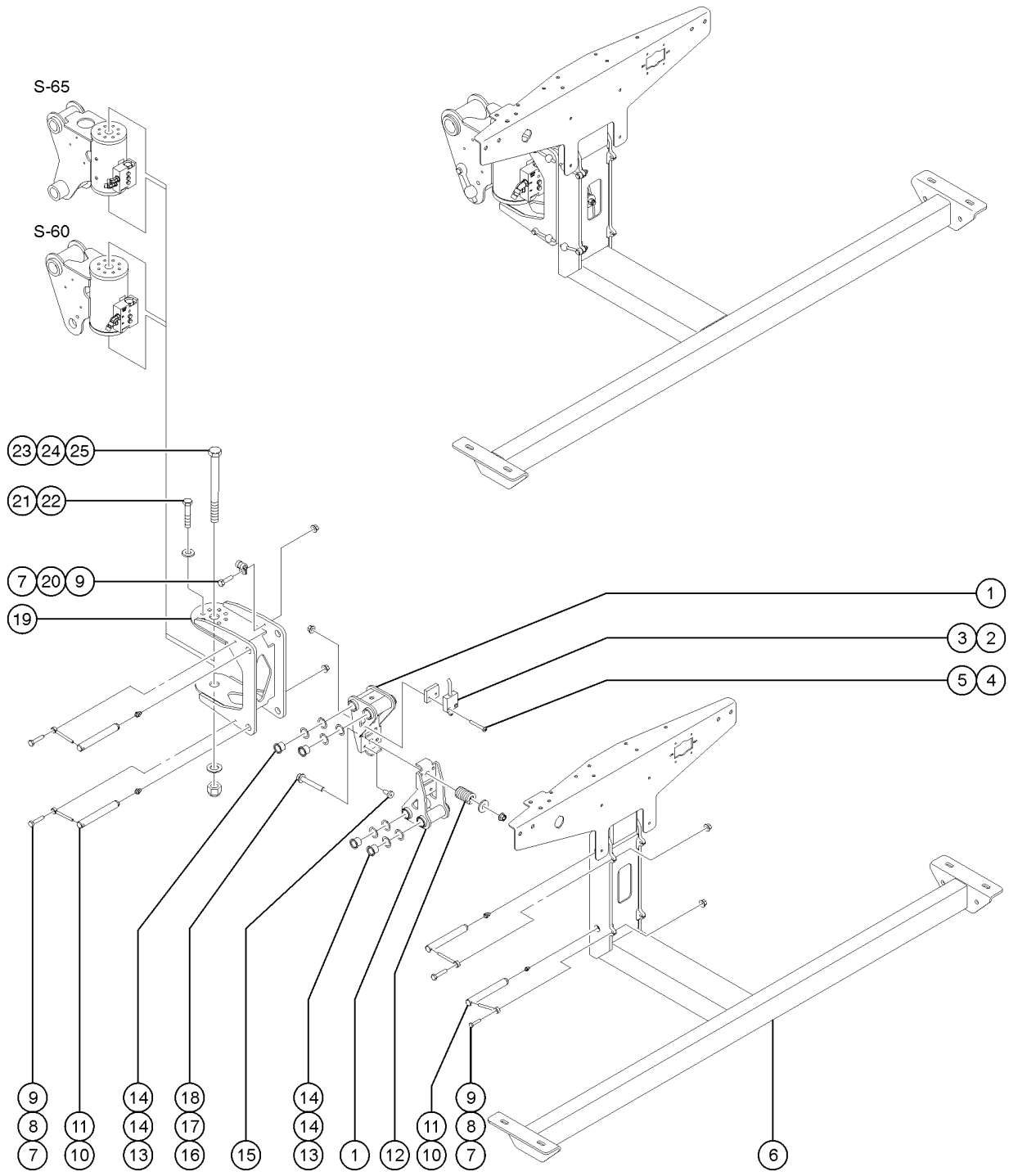
607.1 Boom End Components, S-60X



Item	Part No.	Description	Qty.
1	226541GT	ROTATOR,PLATFORM,15K includes item 2	1
1-	226542GT	SEAL KIT, 15K ROTATOR for 226541	
2	30370GT	BEARING,1.25IDX1.5ODX1.00L	2
3	824075GT	SCREW, HHC, 1-8 X 12.75, 5, ZAG	1
4	824116GT	WASHER, FLAT, F436, 1.0, ZAG	1
5	1257081GT	NUT,1-8,8,ZAG	1
6	1256843GT	SCREW,HHC,1/2-13X1.25,8,ZAG	8
7	825353GT	WASHER,FLAT,1/2,SAE,HRD,ZAG	8
8	147347GT	WELDMENT, PLAT SUPPORT 6ft and 8ft platforms	1
9	T108075GT	PIN,1.25DIAX5.25LG,1HOLE	1
10	824091GT	SCREW,HHF,3/8-16X1.25,8,ZAG	1
11	825019GT	ROD END, .375X3.69, ZAG	1
12	824029GT	NUT,TL FLG,3/8-16,G,ZAG	1
13	63566GT	CYLINDER,PLATFORM LEVEL ***	1
13-	101254GT	SEAL KIT (63566)	
13-	25683GT	BEARING,POLYGON,20DU12	4
13-	77303GT	VALVE, CNTRBAL 3500 PSI, ATM VEN	
14	30217GT	SNAP RING,EXTERNAL,1.25 DIA.**	4
15	824151GT	WASHER,SHIM,1.270X2.130X.062,Z	as -n ee ded
16	88870GT	PIN,1.25DIAX7.47LG,2RING	1
17	T111124GT	PIN,1.25DIAX8.42LG,2RING	1



608.1 Boom End Components, Load Sense, S-60 and S-65 CE Models

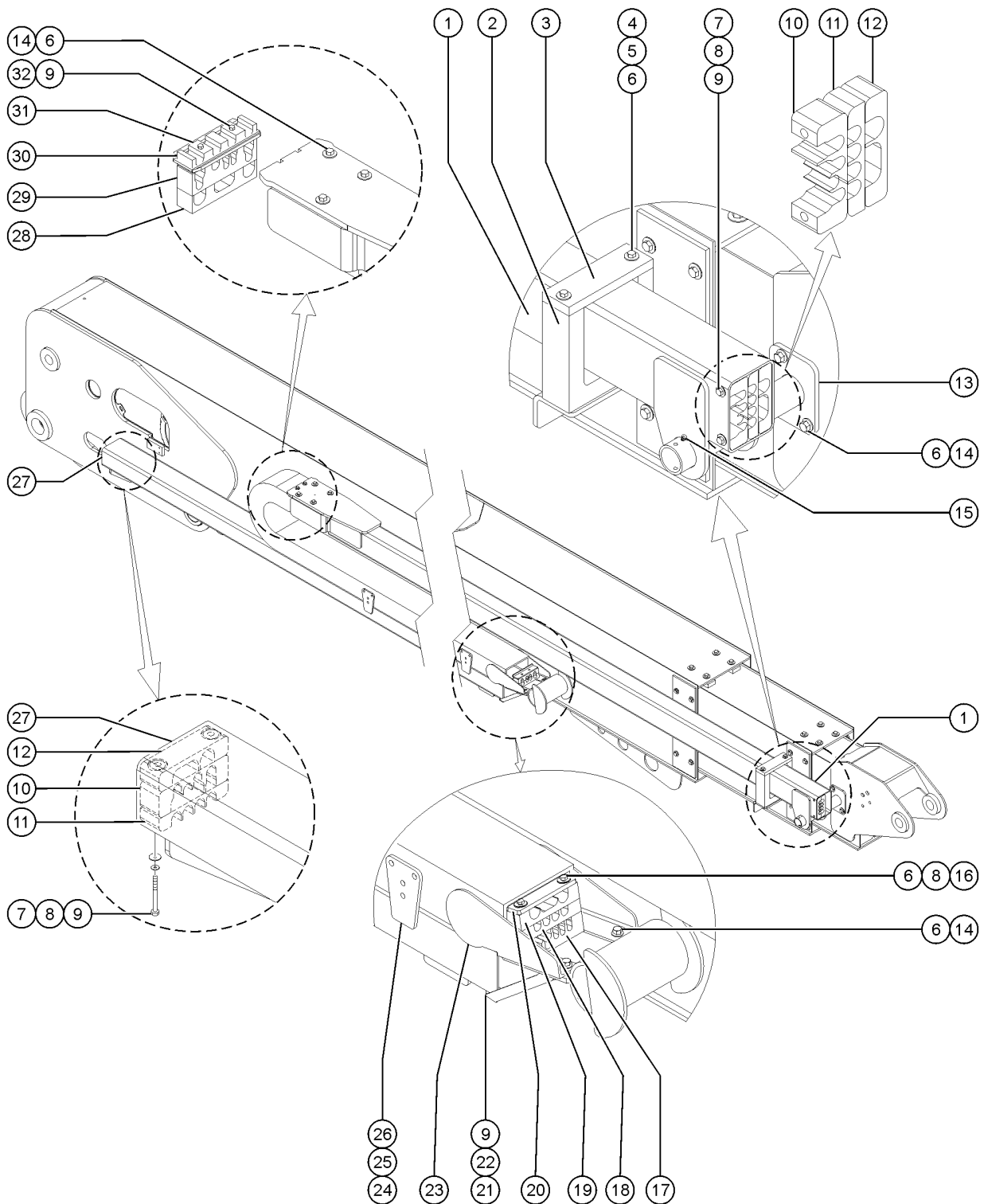


608.1 Boom End Components, Load Sense, S-60 and S-65 CE Models

Item	Part No.	Description	Qty.
1	61809GT	WELDMNT,LOAD SUPPORT	2
2	121848GT	ASSY,LS,LOAD SENSE,38.5 IN	1
3	61972GT	MOUNT,SWITCH	1
4	1257264GT	SCREW,BHC,10-32X1.5,F835,ZAG	2
5	824032GT	NUT,TL FLG,10-32,F,ZAG	2
6	60370-SGT	PLATFORM SUPPORT WELDMNT-SERV*	1
		ANSI models	
6B	61997GT	WELDMNT,PLATFORM SUPPORT,CE	1
		CE models	
7	824061GT	SCREW,HHC,1/4-20X1.25,8,ZAG	
8	825020GT	ROD END,.250X2.75,ZAG	
9	824027GT	NUT,TL FLG,1/4-20,G,ZAG	
10	61726GT	PIN,0.75DIA X 5.75LG,CHAMFER	4
11	94643GT	ZERK,GREASE,5/16-24,STRAIT	4
12	61974GT	SPRING,COMP,1" OD,232 LB/IN	1
13	25685GT	BEARING,GARLOCK,12FDU12	8
14	110789GT	WASHER,SHIM .0151 THK.	as -n ee ded
15	34619GT	BUMPER,RUBBER***	2
16	824095GT	SCREW, HHF, 3/8-16 X 3, 8, ZAG	
17	61975GT	RETAINER,SPRING,1.21 X .375	1
18	824029GT	NUT,TL FLG,3/8-16,G,ZAG	
19	61804GT	WELDMNT,ROTATOR SUPPORT	
20	45470GT	CLAMP,0.31,#5 X 1/4,RUB CUSH	1
21	826791GT	SCREW,HHC,3/8-16X.875,8,ZAG	8
22	826793GT	WASHER,FLAT,3/8,SAE,HRD,ZAG	8
23	826792GT	SCREW,HHC,1-8X11,5,ZAG	1
24	824116GT	WASHER, FLAT, F436, 1.0, ZAG	2
25	1257081GT	NUT,1-8,8,ZAG	1



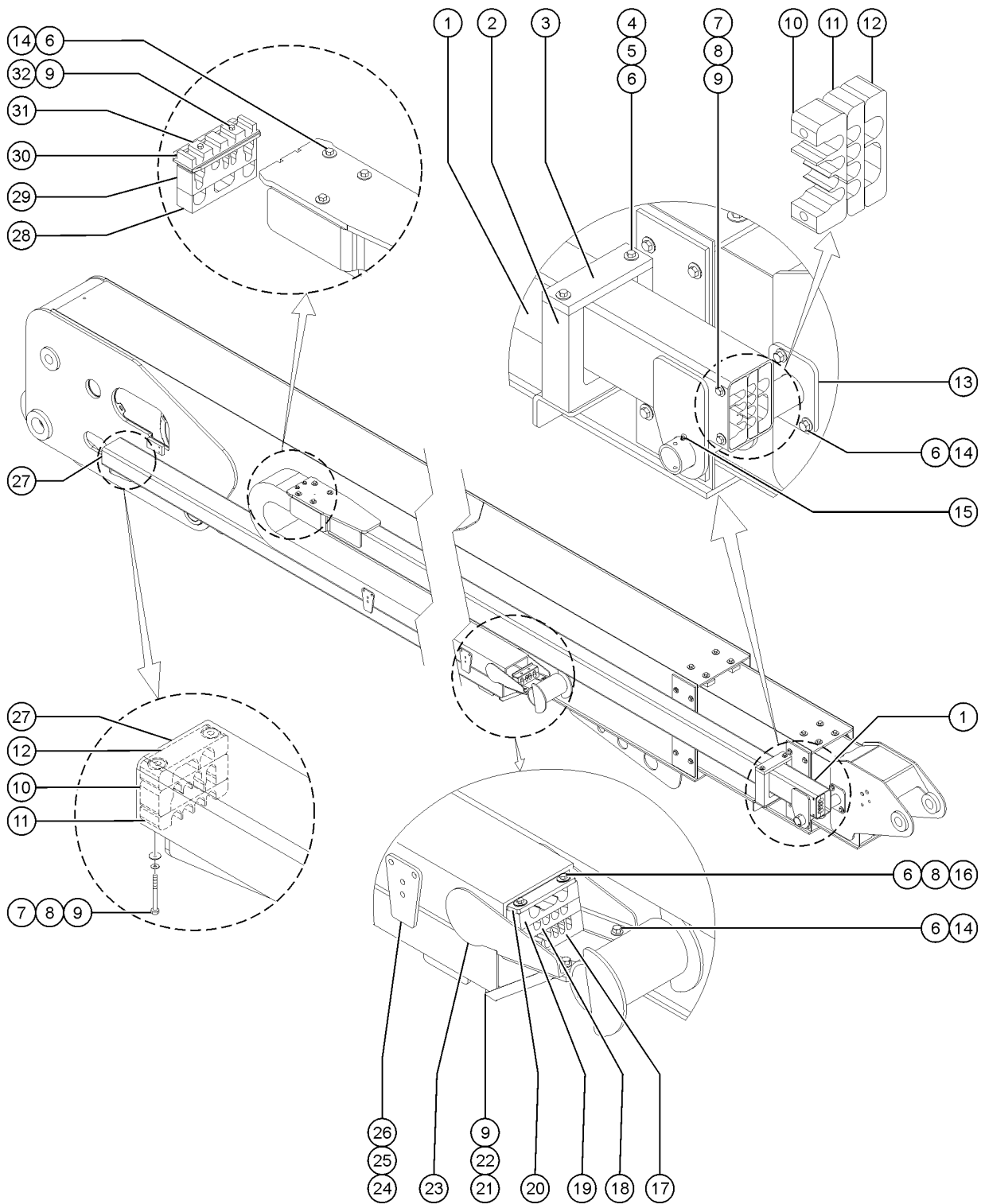
609.1 Cable Track



Item	Part No.	Description	Qty.
1	88859GT	WELDMENT,CABLE TRACK TUBE***	1
2	81341GT	WEAR PAD,CABLE TRACK PULL TUBE	1
3	81342GT	WEAR PAD,5.5 X 1.75 X .5	1
4	1255391GT	SCREW,HHC,3/8-16X7,8,ZAG	
5	1255758GT	WASHER,FLAT,3/8,USS,ZAG	
6	824029GT	NUT,TL FLG,3/8-16,G,ZAG	
7	1256171GT	SCREW,HHC,1/4-20X3,8,ZAG	
8	824109GT	WASHER,LOCK,1/4,ZAG	
9	824113GT	WASHER,FLAT,1/4,USS,ZAG	
10	824547GT	CLAMP, CABLES	2
11	227308GT	CLAMP, HOSES	2
12	227306GT	CLAMP ASSY,OPTIONS BLOCK W/NUT (weld cable option)	2
13	81347GT	WELDMENT,TRACK PULL TUBE PIVOT	1
14	824090GT	SCREW,HHF,3/8-16X1,8,ZAG	
15	13635-10GT	PIN,COTTER,.156 X 1.75	1
16	1256173GT	SCREW,HHC,3/8-16X4.5,8,ZAG	
17	824548GT	CLAMP, CABLES	1
18	1299981GT	CLAMP,HOSE	1
19	226325GT	CLAMP, HOSES (weld cable option)	1
20	228797GT	BAR, CLAMP, CABLE TRACK	1
21A	119975GT	FORMING, TRACK BRACE, LH outboard bracket; furthest from boom tube (shown)	1
21B	119974GT	FORMING, TRACK BRACE, RH inboard bracket; closest to boom tube	1
22	824078GT	SCREW,HHF,1/4-20X.75,8,ZAG	
23	T114223GT	CABLE TRACK, SX, 49 LINK	1
23-	121035GT	PIN,1.250 X 9.25, 2 RINGS for T114223	
23-	122662GT	END BRACKET,MOVING END for T114223	
23-	122663GT	END BRACKET,FIXED END for T114223	
23-	122668GT	GUIDE FINGER,PLASTIC for T114223	



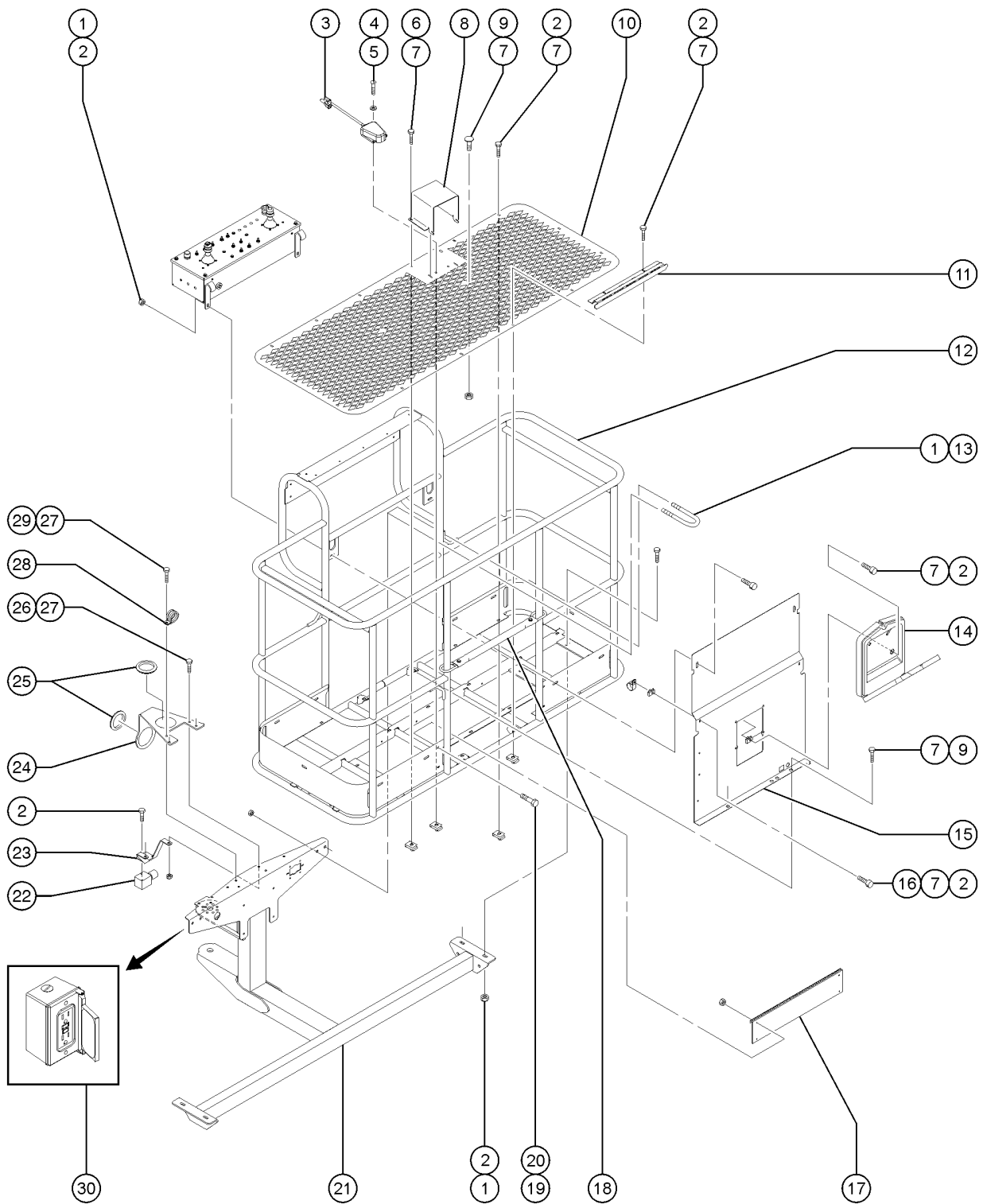
609.1 Cable Track



<i>Item</i>	<i>Part No.</i>	<i>Description</i>	<i>Qty.</i>
23-	218448GT	FINGER,GUIDE,CABLE TRACK for T114223	
23-	229169GT	FLATBAR, CLAMPS, CABLE TRACK for T114223	
23-	122661GT	REPAIR KIT,4 LINK,W/GUIDE for T114223	
24	218448GT	FINGER,GUIDE,CABLE TRACK 10	
24-	58310GT	SCREW,10-24 X.5 TORX PAN HD*** for 218448	
25	39317GT	STOP PLATFORM ROLLER	
26	87085GT	RIVET,ALUM,P,.188 X .25	
27	88858GT	WELDMENT,CABLE TRACK TRAY***	1
28	228969GT	CLAMP, OPTIONS, CABLE TRACK (weld cable option)	1
29	1299980GT	CLAMP,CABLES	1
30	121065GT	FORMING,CLAMP, TOP,CABLE TRACK	1
31	1299979GT	CLAMP,HOSE,CABLE TRACK	1
32	1256853GT	SCREW,HHF,1/4-20X4.5,8,ZAG	



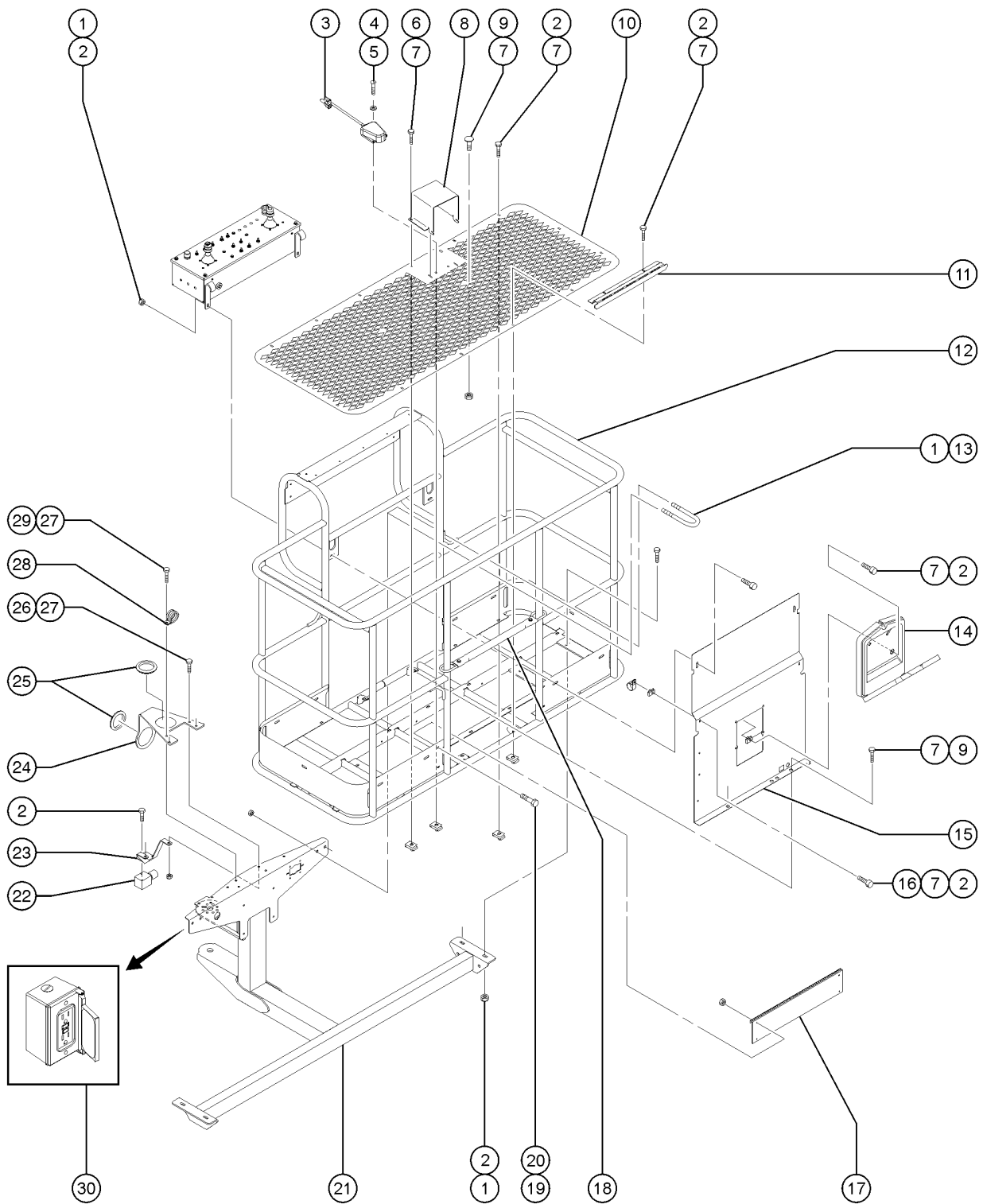
701.1 Platform Installation (to SN S65D-1571)



Item	Part No.	Description	Qty.
1	824029GT	NUT,TL FLG,3/8-16,G,ZAG	
2	824091GT	SCREW,HHF,3/8-16X1.25,8,ZAG	
3	1254874GT	ASSEMBLY, FOOT SWITCH, S60	1
4	1256460GT	SCREW,PHPM,10-24X1,ZAG	
5	73575GT	SPRING CLIP,10-24,.025-.125X.468,ZAG	
6	824079GT	SCREW,HHF,1/4-20X1,8,ZAG	
7	56912GT	SPRING CLIP,1/4-20,.025-.15X.5	
8	147121GT	COVER, FOOT SWITCH, LARGE decals not included, refer to section 100	1
9	824078GT	SCREW,HHF,1/4-20X.75,8,ZAG	
10	73477PGT	FLOORING, 6'FT PLATFORM	1
10B	228298GT	FLOORING,8' FT PLATFORM,CZ	1
10C	60160PGT	FLOORING,4 FT PLATFORM,PAINTED	1
11	73610PGT	STEP PLATFORM ENTRY PAINTED***	1
12	1271914GT	OPTION,6PLATFORM W/SIDE SWING GATE decals not included, refer to section 100	1
12B	1271915GT	OPTION,8'PLATFORM W/SIDE SWING GATE decals not included, refer to section 100	1
12C	1293343GT	OPTION,4' PLATFORM decals not included, refer to section 100	1
13	1251600GT	U-BOLT, FLATTENED, Ø1.5 X 3/8 UNC,ZAG	
14	24514GT	BOX, INSTRUCTION STORAGE** Europe/Asia/South America (decal required; refer to Section100)	
15	73574-SGT	DECAL PLATE ASSEMBLY decals not included, refer to section 100	1
16	56424GT	CLAMP,1.25X.5 RUBBER-CUSHION	
17	94745PGT	TOEBOARD,ENTRY EUROPEAN PNTD**	1
18	102992GT	SLIDING MIDRAIL KIT,PTD	1
19	1256855	WASHER FLAT BONDED RUB	
20	824027GT	NUT,TL FLG,1/4-20,G,ZAG	
21		Ref: Platform Support refer to section 600	
22		Ref: Jib Manifold refer to 404.1	
23	110671GT	PLATE,JIB,ROTATE MANIFOLD	1
24	106163GT	FORMING,CABLE GUIDE order 55067 grommet separately	1



701.1 Platform Installation (to SN S65D-1571)

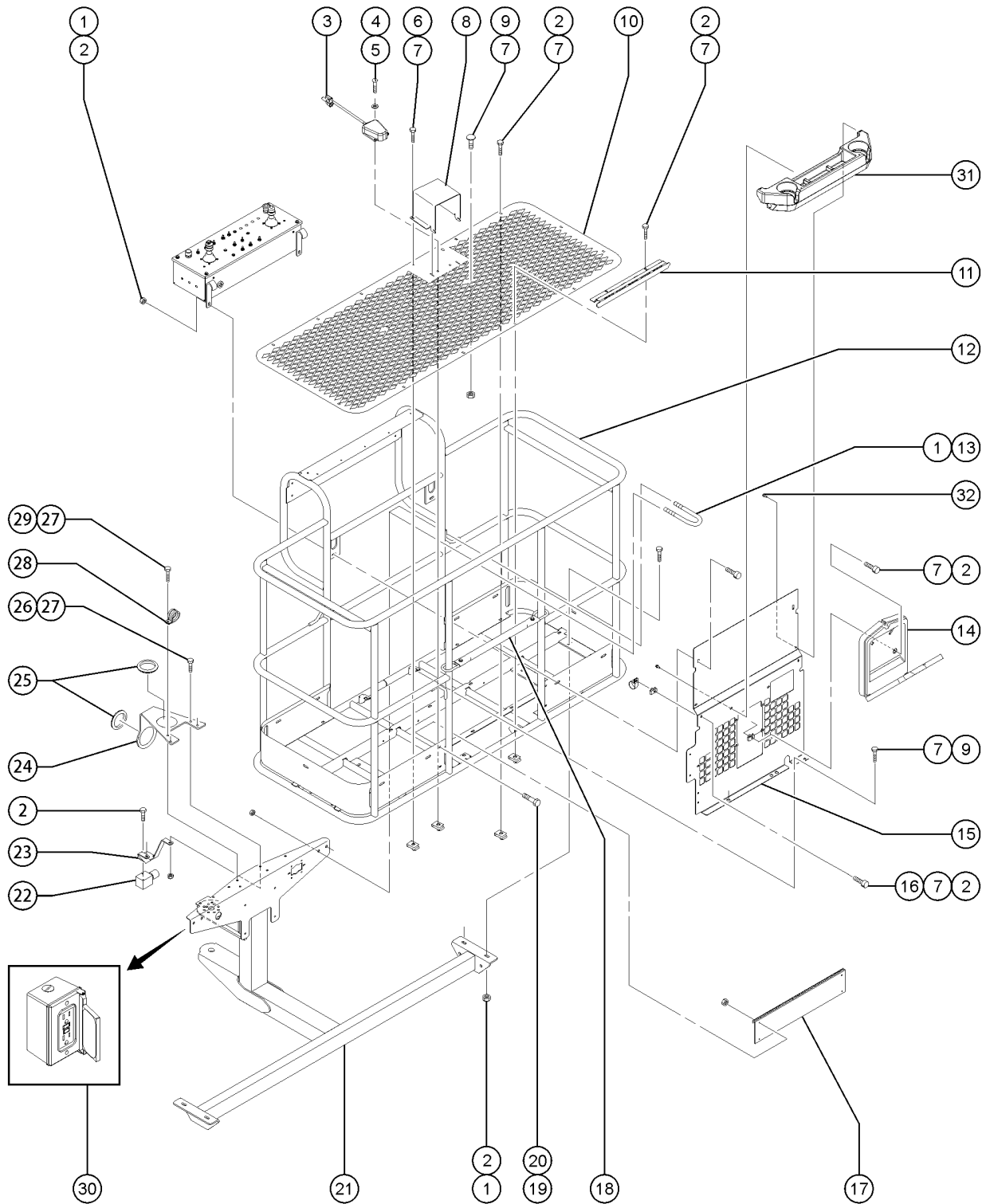


701.1 Platform Installation (to SN S65D-1571)

<i>Item</i>	<i>Part No.</i>	<i>Description</i>	<i>Qty.</i>
25	55067GT	GROMMET,RUBBER 3 X .19 X 3.5	2
26	824086GT	SCREW, HHF, 5/16-18 X 1, 8, ZAG	
27	824028GT	NUT,TL FLG,5/16-18,G,ZAG	
28	77180GT	CLAMP,1.31,#21 X 3/8,RUB CUSH	1
29	824087GT	SCREW,HHF,5/16-18X1.25,8,ZAG	
30		Ref. POWER AND AIR LINE TO PLATFORM	
		refer to 906.1	



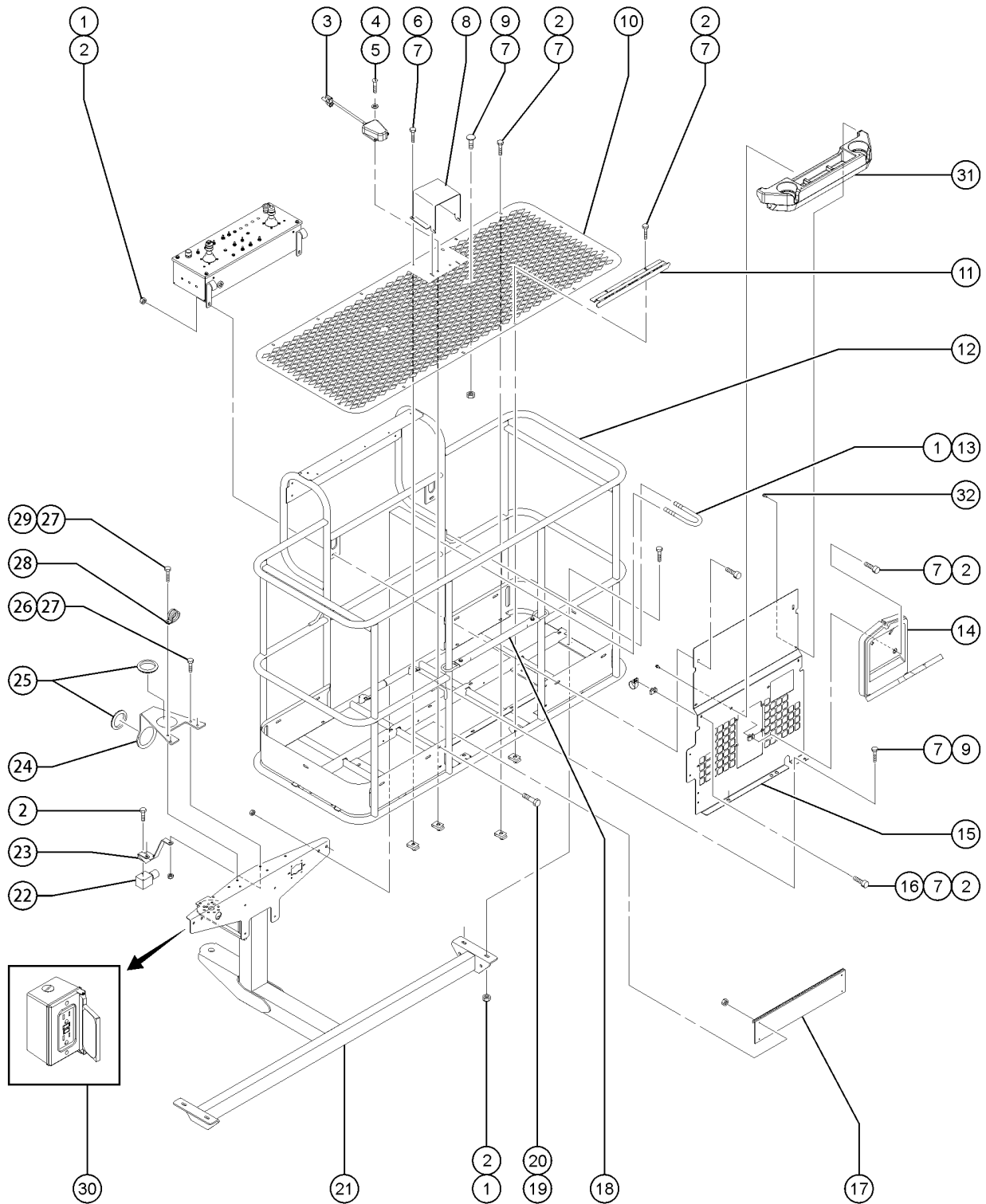
701.2 Platform Installation (from SN S65D-1572)



Item	Part No.	Description	Qty.
1	824029GT	NUT,TL FLG,3/8-16,G,ZAG	
2	824091GT	SCREW,HHF,3/8-16X1.25,8,ZAG	
3	1254874GT	ASSEMBLY, FOOT SWITCH, S60	1
4	1256460GT	SCREW,PHPM,10-24X1,ZAG	
5	73575GT	SPRING CLIP,10-24,.025-.125X.468,ZAG	
6	824079GT	SCREW,HHF,1/4-20X1,8,ZAG	
7	56912GT	SPRING CLIP,1/4-20,.025-.15X.5	
8	147121GT	COVER, FOOT SWITCH, LARGE decals not included, refer to section 100	1
9	824078GT	SCREW,HHF,1/4-20X.75,8,ZAG	
10	73477PGT	FLOORING, 6'FT PLATFORM	1
10B	73478PGT	FLOORING,8 FT PLATFORM**	1
10C	60160PGT	FLOORING,4 FT PLATFORM,PAINTED	1
11	73610PGT	STEP PLATFORM ENTRY PAINTED***	1
12	160809GT	ASSY,6FT PLATFORM,NO DECALS decals not included, refer to section 100	1
12B	160804GT	ASSY,8FT PLATFORM,NO DECALS decals not included, refer to section 100	1
12C	1293343GT	OPTION,4' PLATFORM	1
13	1251600GT	U-BOLT, FLATTENED, Ø1.5 X 3/8 UNC,ZAG	
14	44743GT	MANUAL BOX W/DECALS*** USA/Canada/Australia	1
14B	24514GT	BOX, INSTRUCTION STORAGE** Europe/Asia/South America (decal required; refer to Section100)	
15	1275088GT	FORMING, ALUM. DECAL PLATE decals not included, refer to section 100	1
16	56424GT	CLAMP,1.25X.5 RUBBER-CUSHION	
17	94745PGT	TOEBOARD,ENTRY EUROPEAN PNTD**	1
18	102992GT	SLIDING MIDRAIL KIT,PTD	1
19	1256855	WASHER FLAT BONDED RUB	
20	824027GT	NUT,TL FLG,1/4-20,G,ZAG	
21		Ref: Platform Support refer to section 600	
22		Ref: Jib Manifold refer to 404.1	
23	110671GT	PLATE,JIB,ROTATE MANIFOLD	1



701.2 Platform Installation (from SN S65D-1572)

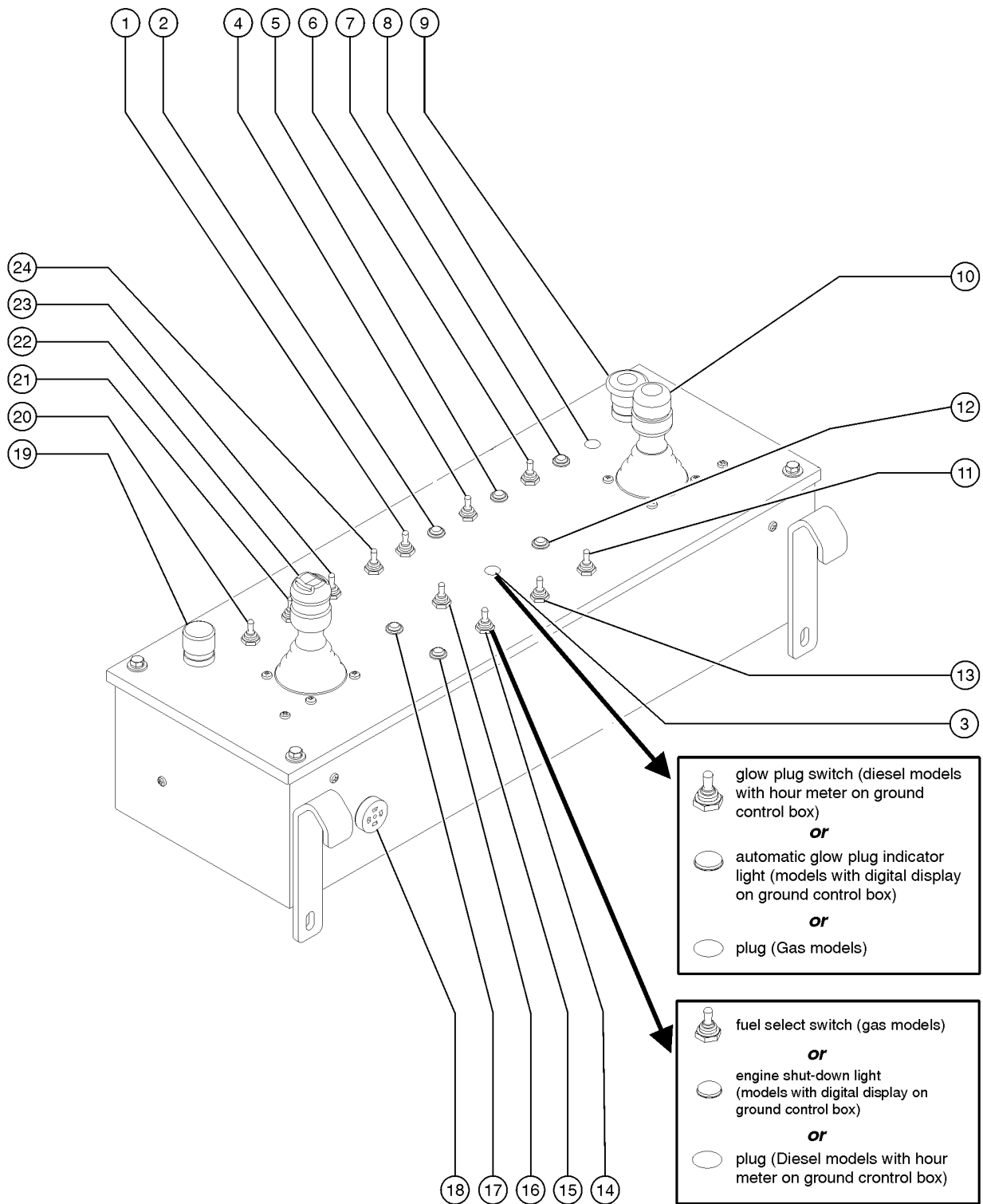


701.2 Platform Installation (from SN S65D-1572)

<i>Item</i>	<i>Part No.</i>	<i>Description</i>	<i>Qty.</i>
24	106163GT	FORMING,CABLE GUIDE	1
25	55067GT	GROMMET,RUBBER 3 X .19 X 3.5	2
26	824086GT	SCREW, HHF, 5/16-18 X 1, 8, ZAG	
27	824028GT	NUT,TL FLG,5/16-18,G,ZAG	
28	77180GT	CLAMP,1.31,#21 X 3/8,RUB CUSH	1
29	824087GT	SCREW,HHF,5/16-18X1.25,8,ZAG	
30		Ref. POWER AND AIR LINE TO PLATFORM	
		refer to 906.1	
31	1289552GT	KIT, PLATFORM WORK TRAY	1
32	1256855	WASHER FLAT BONDED RUB	4



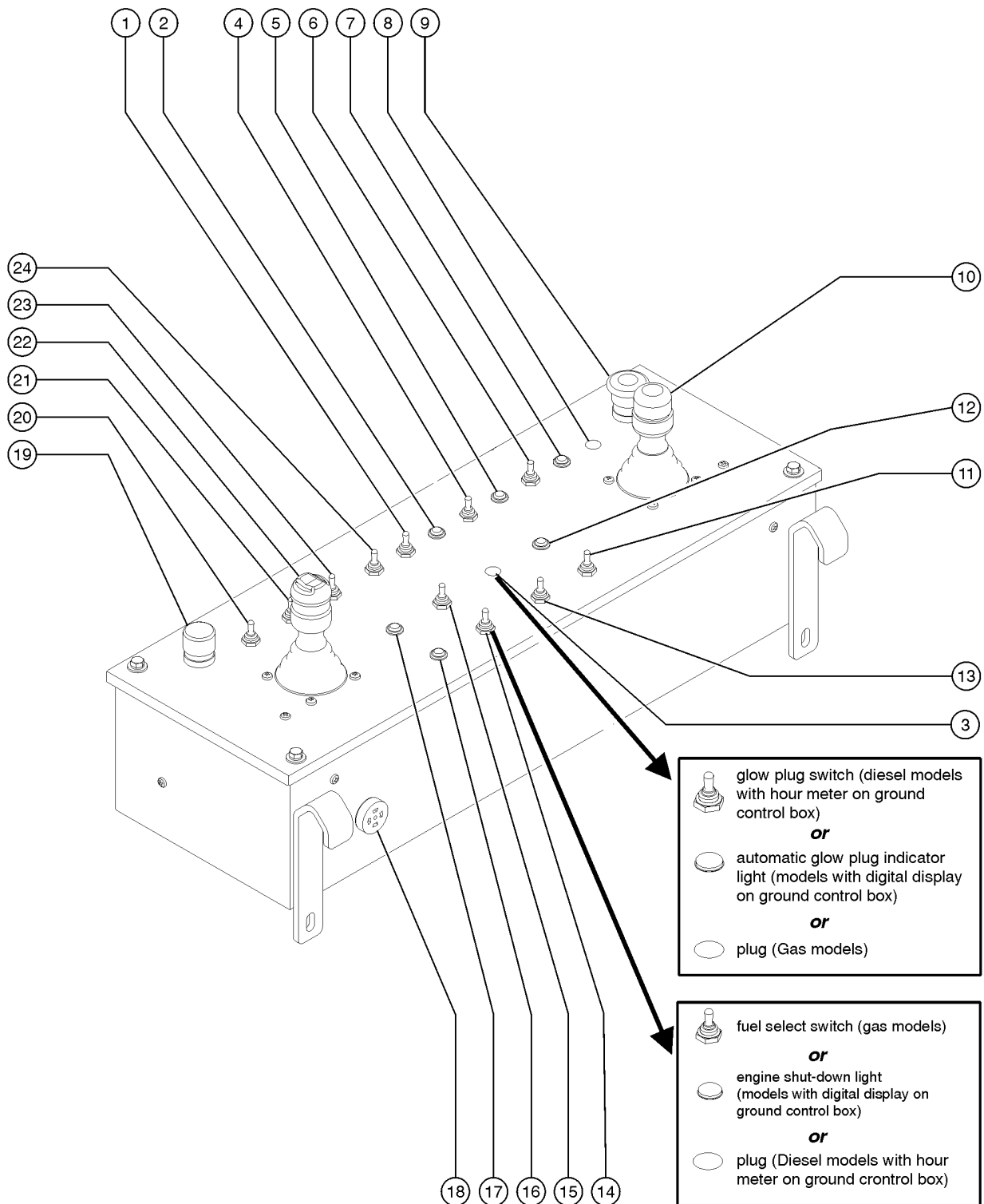
702.1 Platform Control Box - View 1, External



Item	Part No.	Description	Qty.
A		S60 PBOX ASSY, COMMON To order, call customer service.	
B	128578GT	SCREW T-SWITCH PH/PH 6-32X1/4 (included in each toggle switch assembly)	
C	27246GT	BOOT,TOGGLE SWITCH,SHORT* (included in each toggle switch assembly)	
1	128201GT	SWITCH TOGGLE ASSY DPDT 2P MOM (Auxiliary Power; includes boot and hardware)	1
1-	128581-SGT	SWITCH TOGGLE DPDT 2P MOM SHDR	
2	824879GT	LIGHT,LED IND. RED 12V NH (Machine not level indicator) (option)	1
2A-	56848GT	WASHER,LOCK,IND,LAMP RETAINER	
2B	229567GT	PLUG,SANTOPRENE .5 BLACK DOME (without option)	1
3	128200GT	SWITCH TOGGLE ASSY SPDT 3P MOM (Diesel models with an hour meter in the ground control box)	
3-	128580GT	SWITCH TOGGLE SPDT 3P MOM SHDR (Diesel models with an hour meter in the ground control box)	
4	128204GT	SWITCH TOGGLE ASSY SPDT 2P MNT (Generator) (option)	1
4A-	128584-SGT	SWITCH TOGGLE SPDT 2P MNT SHDR	
4B	229567GT	PLUG,SANTOPRENE .5 BLACK DOME (without option)	1
5	824880GT	LIGHT,LED IND. AMBER 12V NH (upper capacity range) (S-60X, S-60TX, S-65TX)	1
5A-	56848GT	WASHER,LOCK,IND,LAMP RETAINER	
5B	229567GT	PLUG,SANTOPRENE .5 BLACK DOME (S-60, S-65)	
6	128200GT	SWITCH TOGGLE ASSY SPDT 3P MOM (Capacity range select) (S-60X, S-60TX, S-65TX)	1
6A-	128580GT	SWITCH TOGGLE SPDT 3P MOM SHDR	
6B	229567GT	PLUG,SANTOPRENE .5 BLACK DOME (S-60, S-65)	1
7	824880GT	LIGHT,LED IND. AMBER 12V NH (lower capacity range) (S-60X, S-60TX, S-65TX)	1
7A-	56848GT	WASHER,LOCK,IND,LAMP RETAINER	
7B	229567GT	PLUG,SANTOPRENE .5 BLACK DOME (S-60, S-65)	1
8	229567GT	PLUG,SANTOPRENE .5 BLACK DOME (used for optional equipment)	1
9	66812GT	BUTTON,PUSH,RED MUSHROOM HEAD	1
9-	146478GT	BOOT(BELLOWS),E-STOP,BLACK	
9-	66818GT	CONTACT,NC	
9-	94506GT	BASE,W/3 NC CONTACTS	
10		Ref. Joystick Drive joystick needs to be ordered separately; (refer to 704.1)	1



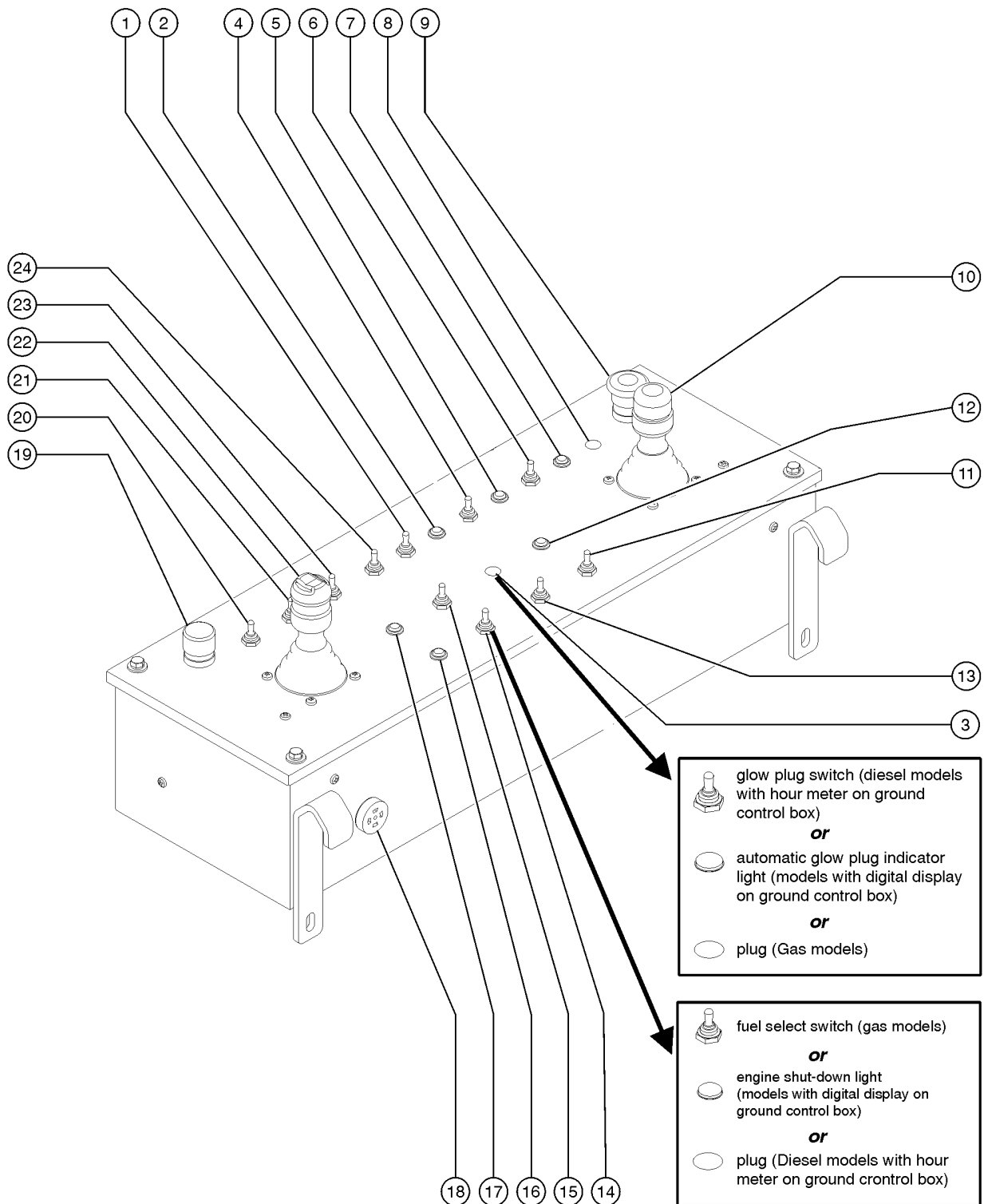
702.1 Platform Control Box - View 1, External



Item	Part No.	Description	Qty.
10-	139338GT	SCREW PH M5-0.8X20 DIN 7500CE	4
11	128200GT	SWITCH TOGGLE ASSY SPDT 3P MOM (Drive enable; includes boot and hardware)	1
11-	128580GT	SWITCH TOGGLE SPDT 3P MOM SHDR	
12	824879GT	LIGHT,LED IND. RED 12V NH	1
		(Drive enable indicator light)	
13	128204GT	SWITCH TOGGLE ASSY SPDT 2P MNT	1
		(Engine idle select; includes boot and hardware)	
13-	128584-SGT	SWITCH TOGGLE SPDT 2P MNT SHDR	
14	229567GT	PLUG,SANTOPRENE .5 BLACK DOME	
		(diesel models with hour meter in ground control box)	
15	128200GT	SWITCH TOGGLE ASSY SPDT 3P MOM	1
		(Engine start; includes boot and hardware)	
15-	128580GT	SWITCH TOGGLE SPDT 3P MOM SHDR	
16	824879GT	LIGHT,LED IND. RED 12V NH	1
		(CE models, platform overload indicator)	
16-	56848GT	WASHER,LOCK,IND,LAMP RETAINER	
17	824879GT	LIGHT,LED IND. RED 12V NH	1
		(Machine malfunction indicator)	
17-	56848GT	WASHER,LOCK,IND,LAMP RETAINER	
18	45383GT	ALARM,WARBLE TONE 5-30 VDC***	1
		(retaining nut 72326 sold separately)	
18-	72326GT	NUT,PLASTIC,RING FOR ALARMS	
19	66813GT	BUTTON,PUSH,BLACK W/SEAL***	1
19-	66815GT	BASE, W/1 N.O. CONTACTS***	
19-	66816GT	CONTACT,N.O.	
20	128200GT	SWITCH TOGGLE ASSY SPDT 3P MOM	1
		(Platform level; includes boot and hardware)	
20-	128580GT	SWITCH TOGGLE SPDT 3P MOM SHDR	
21	128202GT	SWITCH TOGGLE ASSY DPDT 3P MOM	1
		(Platform rotate; includes boot and hardware)	
21-	128582-SGT	SWITCH TOGGLE DPDT 3P MOM SHDR	
22		Ref. Joystick	1
		(refer to 704.1)	
22	139338GT	SCREW PH M5-0.8X20 DIN 7500CE	4
23	128200GT	SWITCH TOGGLE ASSY SPDT 3P MOM	1
		(Jib boom up/down; includes boot and hardware)	
23A-	128580GT	SWITCH TOGGLE SPDT 3P MOM SHDR	
23B	824880GT	LIGHT,LED IND. AMBER 12V NH	1
23B-	56848GT	WASHER,LOCK,IND,LAMP RETAINER	



702.1 Platform Control Box - View 1, External

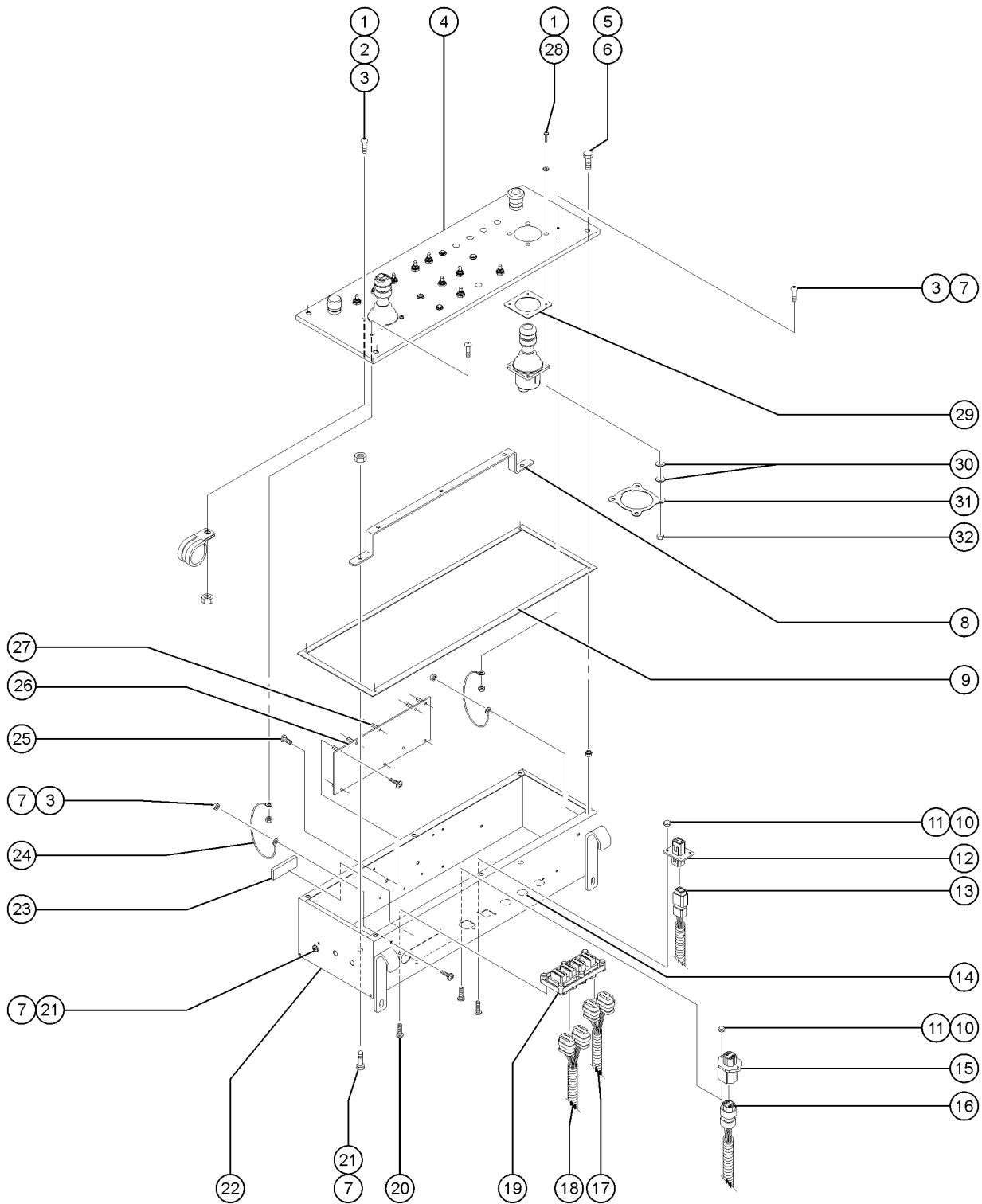


702.1 Platform Control Box - View 1, External

<i>Item</i>	<i>Part No.</i>	<i>Description</i>	<i>Qty.</i>
24	128204GT	SWITCH TOGGLE ASSY SPDT 2P MNT (Drive speed; includes boot and hardware)	1
24-	128584-SGT	SWITCH TOGGLE SPDT 2P MNT SHDR	

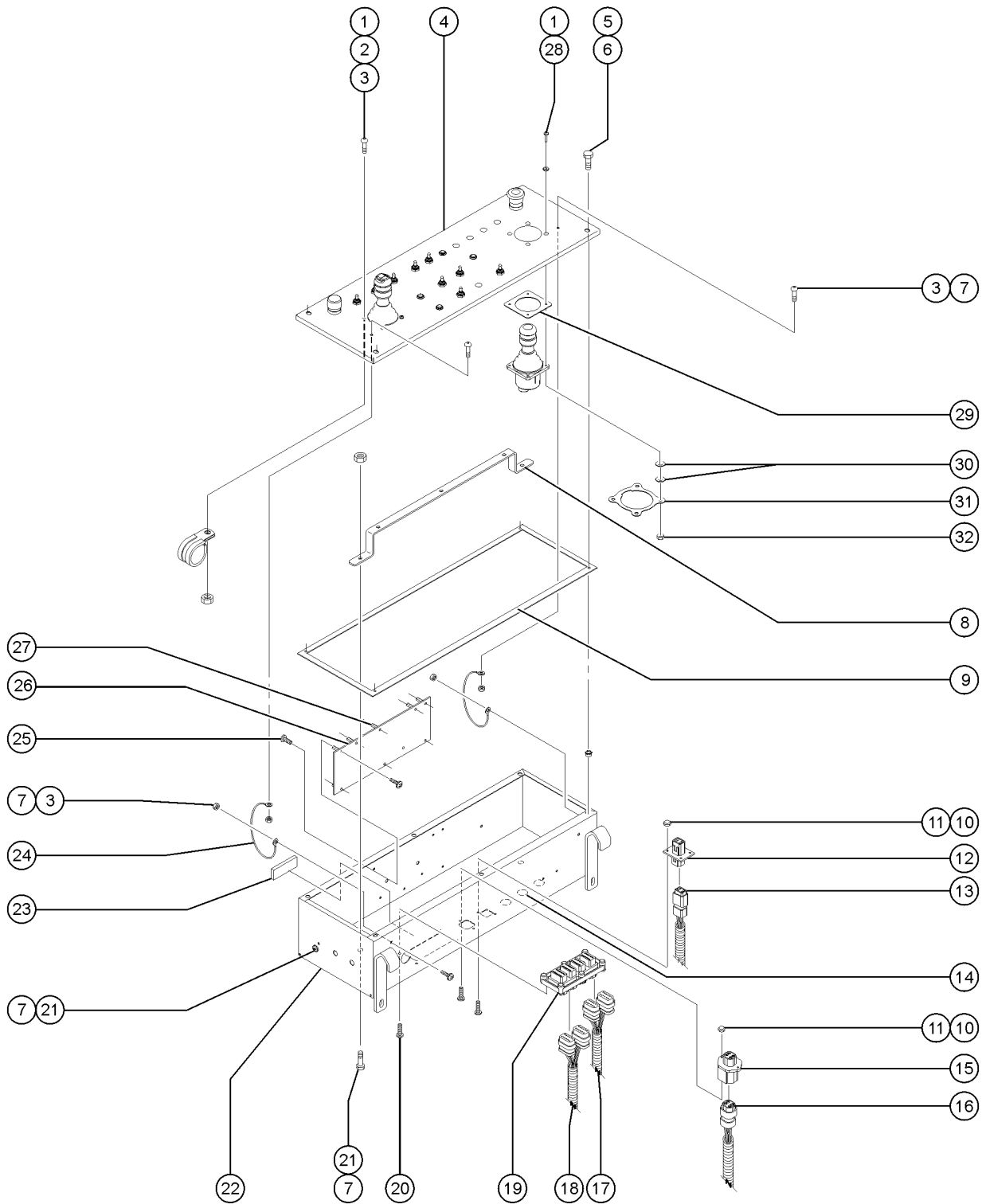


703.1 Platform Control Box - View 2, Internal



Item	Part No.	Description	Qty.
	111413GT	JOYSTICK CONNECTOR ASSEM,DEUT	
	111420GT	OPTION,ROCKER STEER	
		Ref. PLATFORM BOX HARNESS	
		refer to 308.1	
	121847GT	RELAY,TIME DELAY,2 SEC,30A	
1	1257404GT	SCREW,PHPM-ST,M5-0.8X20,DIN750	8
2	18666GT	CLAMP,1.00,#16 X 1/4,RUB CUSH	1
3	826214GT	NUT,TL,M5-0.8,DIN980,10,ZAB	
4	1277172GT	FORMING, PLAT. BOX LID	1
5	1256855	WASHER FLAT BONDED RUB	
6	T107520GT	BOLT,SHS,5/16X.375X1/4-20,ZAG	4
7	1251757GT	SCREW,PHPM,10-32X.5,ZAG	
8	119644GT	BRACKET,PBOX WIRE SUPPORT	1
9	81488GT	GASKET,PLATFORM CONTROL BOX	1
10	824214GT	SCREW,PHPM,6-32X.5,ZAG	
11	824019GT	NUT, TL, 6-32, A, ZAG	
12	73723GT	CONN RECEPT,FLANGED	1
13		Ref. FOOT SWITCH WIRE HARNESS ASSEMBLY	
		refer to 308.1	
14	15243GT	PLUG,NYLON .875 BLACK DOMED	3
15	73717GT	CONN,RECEP 4 WAY,12-14GA FL***	1
16		Ref. HARNESS,12V TO PLAT	
		refer to 308.1	
17		Ref. HARNESS,18/22 BOOM 2	
		refer to 308.1	
18		Ref. HARNESS BOOM CABLE 1	
		refer to 308.1	
19	73736GT	CONN,RECEP 48 WAY,4 X 12	1
20	824226GT	SCREW,PHPSH,#12-11X.75,ZAG	
21	824032GT	NUT,TL FLG,10-32,F,ZAG	
22	T109350GT	PLATFORM CONTROL BOX W/DECAL	
22-	81487PGT	PLATFORM CONTROL BOX,PAINTED	1
23	30997GT	CORROSION INHIBITOR,FOAM	1

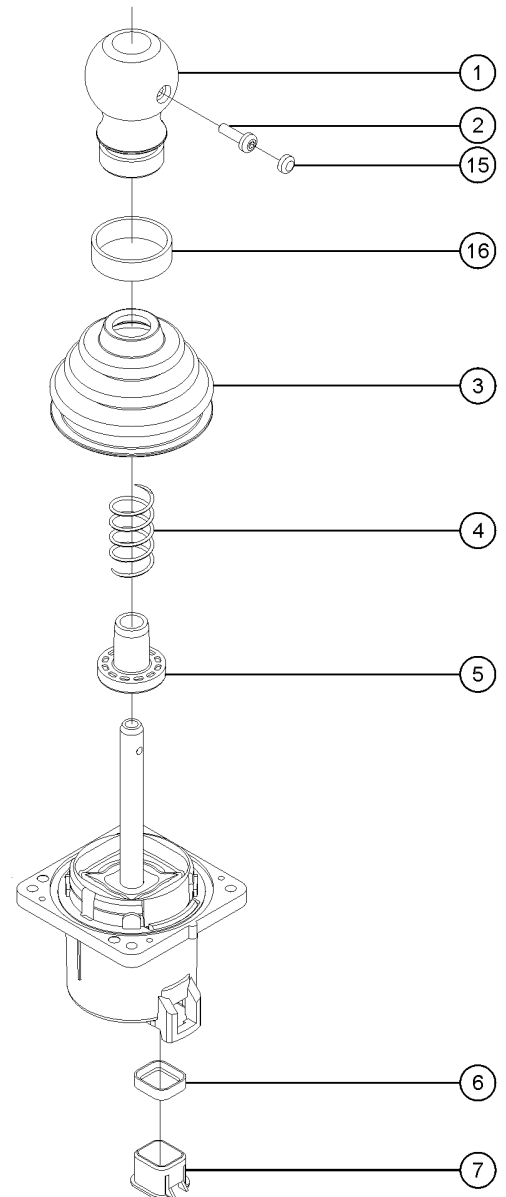
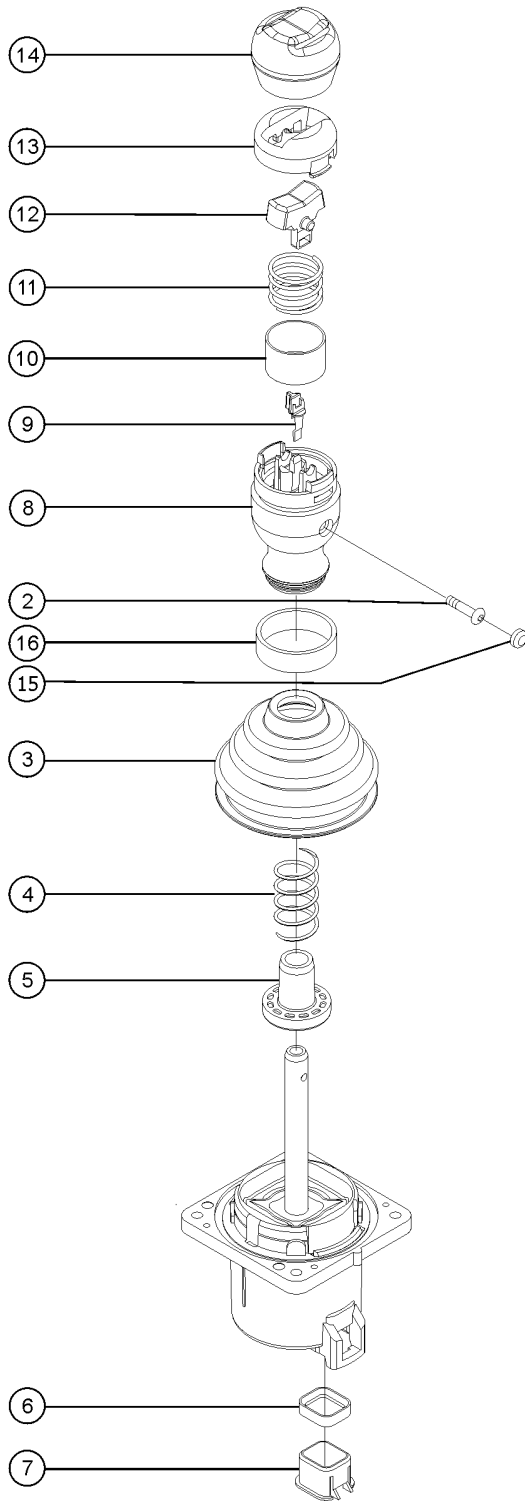
703.1 Platform Control Box - View 2, Internal



<i>Item</i>	<i>Part No.</i>	<i>Description</i>	<i>Qty.</i>
24	77351GT	LANYARD,PLATFORM CONTROL BOX	2
25	81551GT	SCREW,PHIL,PHM,6-32 X 1/4 SS	
26	1257417GT	ASSY,PCB,ALC500 S60 S0849300	1
27	81550GT	STANDOFF,6-32 X 3/8L X 1/4 HEX	10
28	1269498GT	SHOULDER WASHER, NYLON	8
29	1269497GT	GASKET, ISOLATION, JOYSTICK	2
30	6146GT	WASHER,FLAT,MS,#10,Y	10
31	1296721GT	MOUNT,HOLDER PLATE,JOYSTICK	2
32	27082GT	NUT, NYLOCK, M5 X .80	8



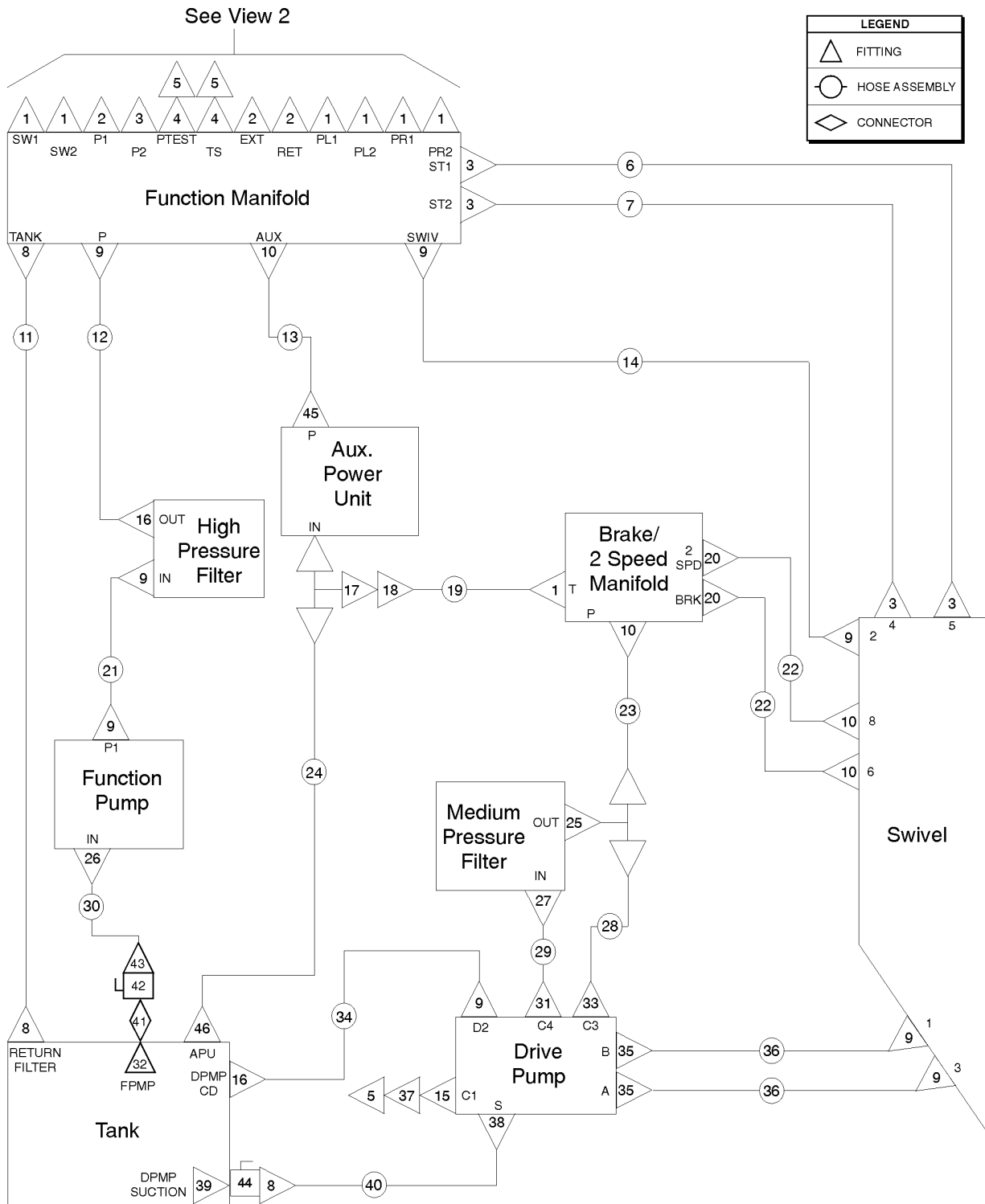
704.1 Joysticks



Item	Part No.	Description	Qty.
A-	1274970GT	JOYSTICK, 2 AXIS ROCKER, BLUE (calibration required after replacement), OEM joystick	
C-	1274971GT	JOYSTICK, 2 AXIS, BLUE (calibration required after replacement), OEM joystick	
E-	1274969GT	JOYSTICK, 1 AXIS ROCKER, BLUE (calibration required after replacement), OEM joystick	
G-	58253GT	KIT,REPAIR,DEUTSCH PLUG,W/TUBE small kit	
H-	83129GT	KIT,REPAIR,DEUTSH CONNECTORS** large kit	
J-	61794GT	CRIMPER,DEUTSCH,LIGHT DUTY*** tool	
K-	119613GT	HARN JOYSTICK ADAPTOR JS100 6-pin to 7-pin adapter (for 101174, 101175, 101005)	
Z	1269500GT	KIT, ISOLATION, 2 JOYSTICK	
1	62392GT	KNOB,JOYSTICK, 62390/62391	1
2	T112626GT	SCREW, PHM, #6-32 X .625 ZINC	1
3	139598GT	BOOT,JOYSTICK	1
4		SPRING,JOYSTK CENTR,62390/91 no longer available from supplier	1
5	119915GT	COLLAR,JOYSTICK,CENTER	1
6	128000GT	SEAL, CONNECTOR (DT JOYSTICKS)	1
7	128001GT	SLEEVE,CONNECTOR,DT JOYSTICKS	1
8	75449GT	KNOB,ROCKER JOYSTICK 75565	1
9	75448GT	SUPPORT,SENSOR,JOYSTICK	1
10	75447GT	SWITCH SHIELD,ROCK JOYSTK75565	1
11	75446GT	SPRING,SWITCH CENTERING,75565	1
12	75445GT	ROCKER ASSY.,MAGNETIC 75565	1
13	75444GT	ROCKER,RETAINER, 75565	1
14	75443GT	BOOT, ROCKER JOYSTICK 75565	1
15	1269499GT	PLUG, JOYSTICK HANDLE	2
16	1271713GT	SHRINK TUBE,BLU,3:1,40MM	2



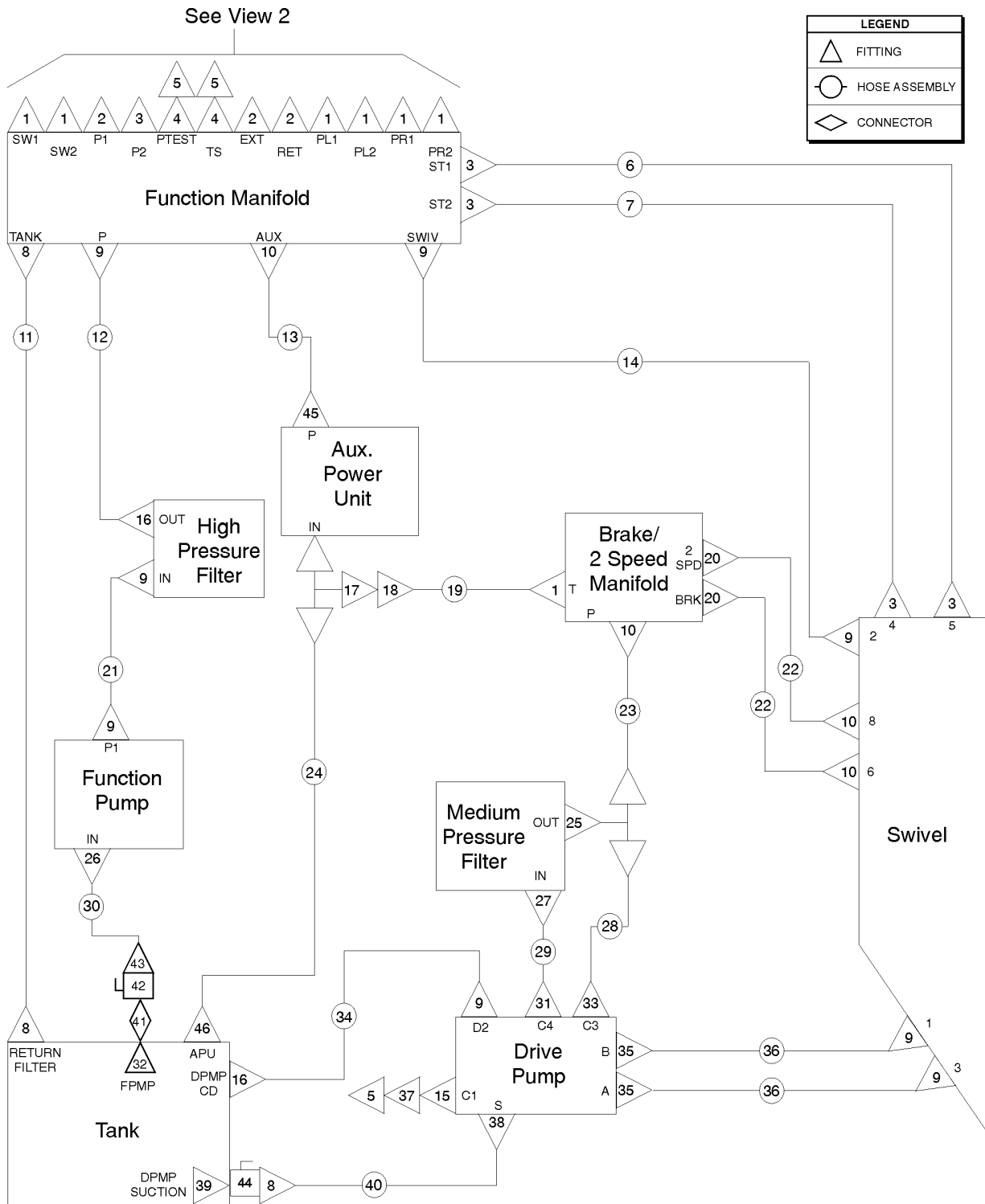
801.1 Function Manifold, View 1



Item	Part No.	Description	Qty.
		The hose lengths below reflect the length of the hose only. Refer to the 'Fittings Cross Reference' to match Genie part numbers to Parker part numbers.	
1	48905GT	CONN,520120-4***	7
2	48933GT	CONN,520120-8***	3
3	48916GT	FITTING,CONN,520120-6	5
4	48998GT	NIPPLE,DIAGNOSTIC,#6 PORT***	2
5	48880GT	CAP,DIAGNOSTIC NIPPLE	2
6	49130-5782GT	HOSE ASSY 3/8, STR FEM,STR FEM	1
7	49130-5582GT	HOSE ASSY 3/8, STR FEM,STR FEM	1
8	48984GT	CONN,520120-16	2
9	48960GT	FITTING,CONN,520120-12***	6
10	48904GT	CONN,520120-4***	4
11	88949-3828GT	HOSE ASSY 1",STR FEM,STR FEM	1
12	61074-7254GT	HOSE ASSY,-12,STR FEM,90 FEM	
13	49117-2491GT	HOSE ASSY,1/4,90 FEM,STR FEM	1
14	49151-6248GT	HOSE ASSY,3/4,STR FEM,STR FEM	1
15	48914GT	CONN,520120-4-8 (to SN S60D-3074)	1
16	48963GT	FITTING,ELBOW,45D,520320-12***	1
17	48936GT	TEE,BRANCH,520429-8	1
18	48941GT	REDUCER,520123-8-4	2
19	49117-4691GT	HOSE ASSY,1/4,90 FEM,STR FEM	1
20	48907GT	48907GT	2
21	61073-3930GT	HOSE ASSY.,3/4",90,FEM,STR FEM	1
22	49119-2878GT	ASSY, HOSE, HYD, -4, 3250, STR, STR	2
23	49117-3391GT	HOSE ASSY,1/4,90 FEM,STR FEM	1
24	94465-3650GT	HOSE ASSY,1/2"	1
25	48936GT	TEE,BRANCH,520429-8	1
26	88936GT	CONN,520120-20-16	1
27	48932GT	FITTING,ELBOW,90D,520220-8***	1



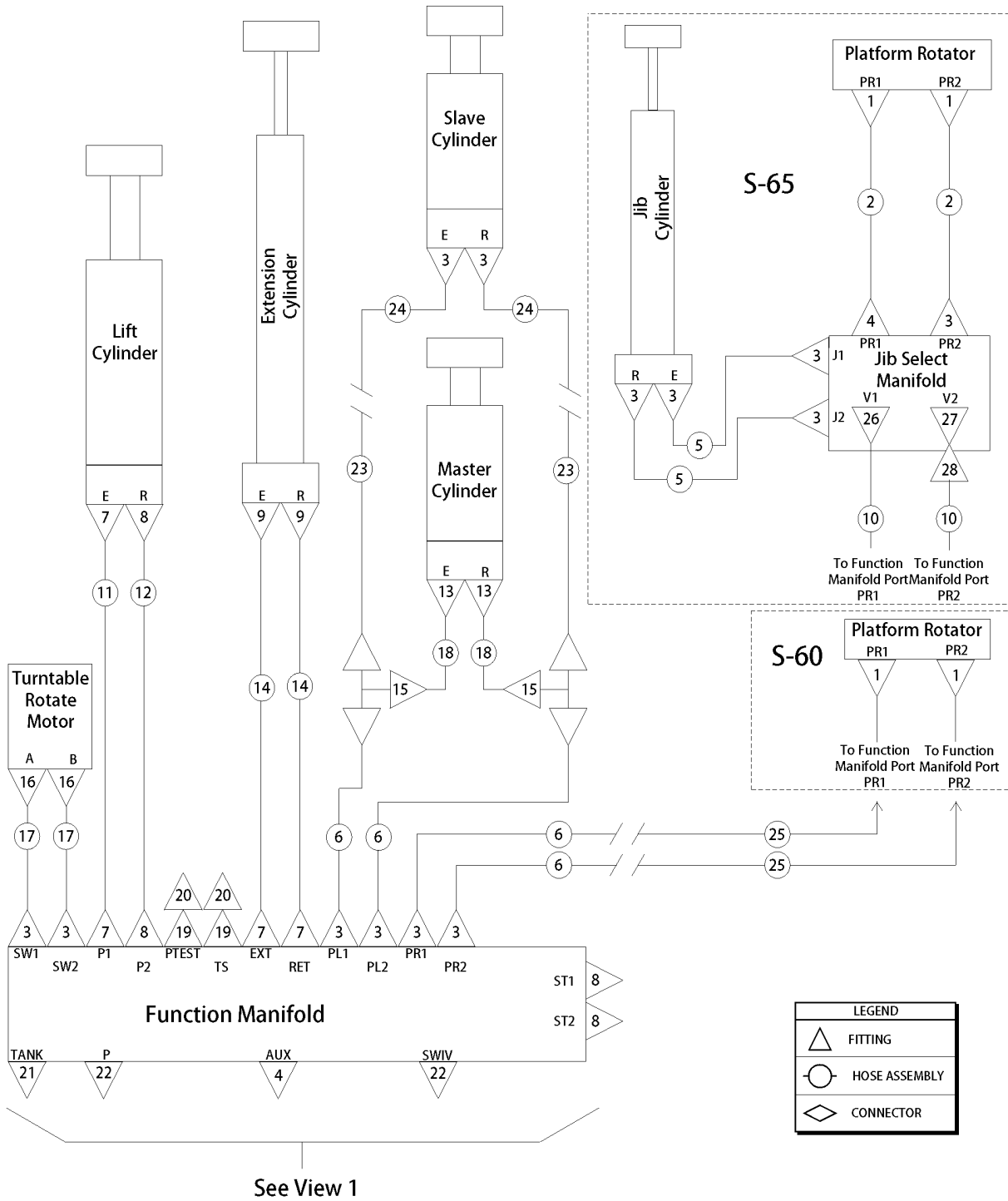
801.1 Function Manifold, View 1



Item	Part No.	Description	Qty.
28	49143-3429GT	HOSE ASSY,1/2,90 FEM,STR FEM	1
29	49143-3629GT	HOSE ASSY,1/2,90 FEM,STR FEM	1
30	88943-7675GT	ASSY, HOSE, HYD, -20, 200, STR, 90	1
31	48949GT	CONN,520120-8-16	1
32	101491GT	STRAINER,20 SAE F/24 SAE M***	
33	48946GT	CONN,520120-8-10	2
34	49150-9130GT	HOSE ASSY,3/4,90 FEM,STR FEM	1
35	48977GT	CONN,520120-12-16	2
36	94374-6030GT	HOSE ASSY,3/4,90 FEM,STR FEM	2
37	49207GT	NIPPLE,DIAGNOSTIC,ORFS,FM,SWIV (to SN S60D-3074)	1
38	48985GT	ELBOW,45D,520320-16 (to SN S60D-3074)	1
38B	48984GT	CONN,520120-16 (from SN S60D-3075)	1
39	147419GT	KIT,STRAINER REPLACEMENT	1
40	88942-8354GT	HOSE ASSY,1",90 FEM,STR FEM Components: Genie part numbers 88938, 88941, 88939 and 88940 @ 80 inches	1
41	61263GT	UNION,STR.THREAD 20	1
42	101494GT	VALVE,BALL,FSAE-20,FSAE-20	1
43	75654GT	CONN,520120-20	1
44	48996GT	VALVE,BALL,16 MSAE-16 FSAE***	1
45	48912GT	CONN,520120-4-6***	1
46	48943GT	FITTING,CONN,520120-8-6	1



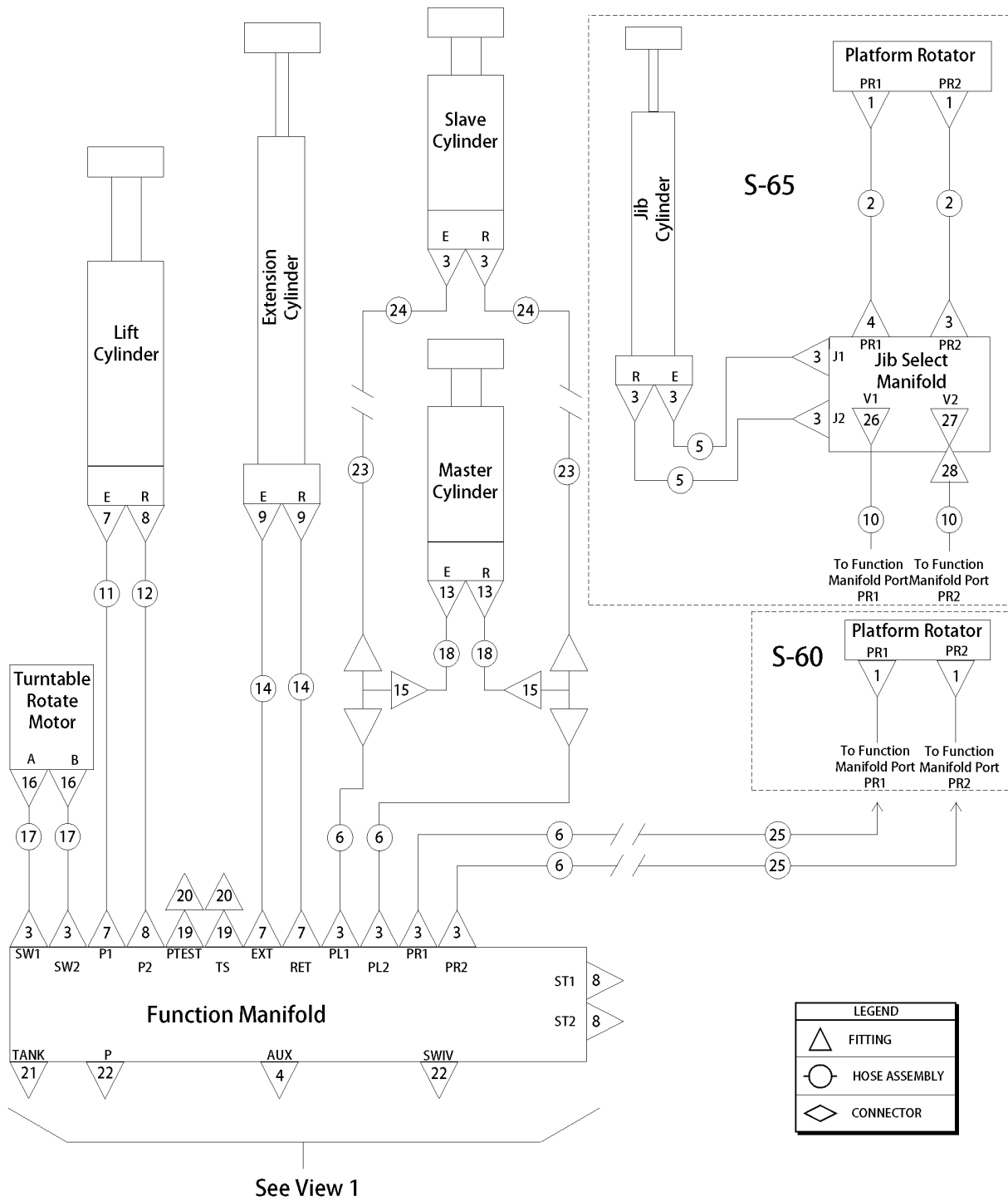
802.1 Function Manifold, View 2



Item	Part No.	Description	Qty.
-		The hose lengths below reflect the length of the hose only. Refer to the 'Fittings Cross Reference' to match Genie part numbers to Parker part numbers.	
-	49219GT	SLEEVE,NYLON,2.19 ID,BULK protective hose sleeve, 2.19" diameter (near platform rotator)	46
-	48767GT	SLEEVE,NYLON,1.42 ID protective hose sleeve, 1.42" diameter (near platform rotator)	23
1	48907GT	48907GT	2
2	49119-2878GT	ASSY, HOSE, HYD, -4, 3250, STR, STR	2
3	48905GT	CONN,520120-4***	10
4	48904GT	CONN,520120-4***	1
5	49119-4278GT	ASSY, HOSE, HYD, -4, 3250, STR, STR	2
6	88636-11973GT	HOSE ASSY 1/4,STR FEM,STR BULK	4
7	48933GT	CONN,520120-8***	4
8	48916GT	FITTING,CONN,520120-6	3
9	48937GT	ELBOW,45D,520320-8	2
10	49119-79678GT	HOSE ASSY,1/4,STR FEM,STR FEM	
11	49143-12329GT	HOSE ASSY,1/2,90 FEM,STR FEM	1
12	49128-12309GT	HOSE ASSY,3/8,STR FEM,STR,90D	1
13	48911GT	ELBOW,90D,520220-4-6***	2
14	49183-13492GT	HOSE ASSY,1/2,STR FEM,STR FEM	2
15	48908GT	FITTING,TEE,RUN,SWIVEL520432-4	2
16	49418GT	FITTING,ELBOW,45D,520320-4-6**	2
17	49119-7478GT	HOSE ASSY,1/4,STR FEM,STR FEM	2
18	49117-3791GT	HOSE ASSY,1/4,90 FEM,STR FEM**	1
18B	49117-3800GT	HOSE ASSY,1/4,90 FEM,STR FEM	2
19	48998GT	NIPPLE,DIAGNOSTIC,#6 PORT***	2
20	48880GT	CAP,DIAGNOSTIC NIPPLE	2
21	48984GT	CONN,520120-16	1
22	48960GT	FITTING,CONN,520120-12***	1
23	49119-69825GT	ASSY, HOSE, HYD, -4, 3250, STR, STR	



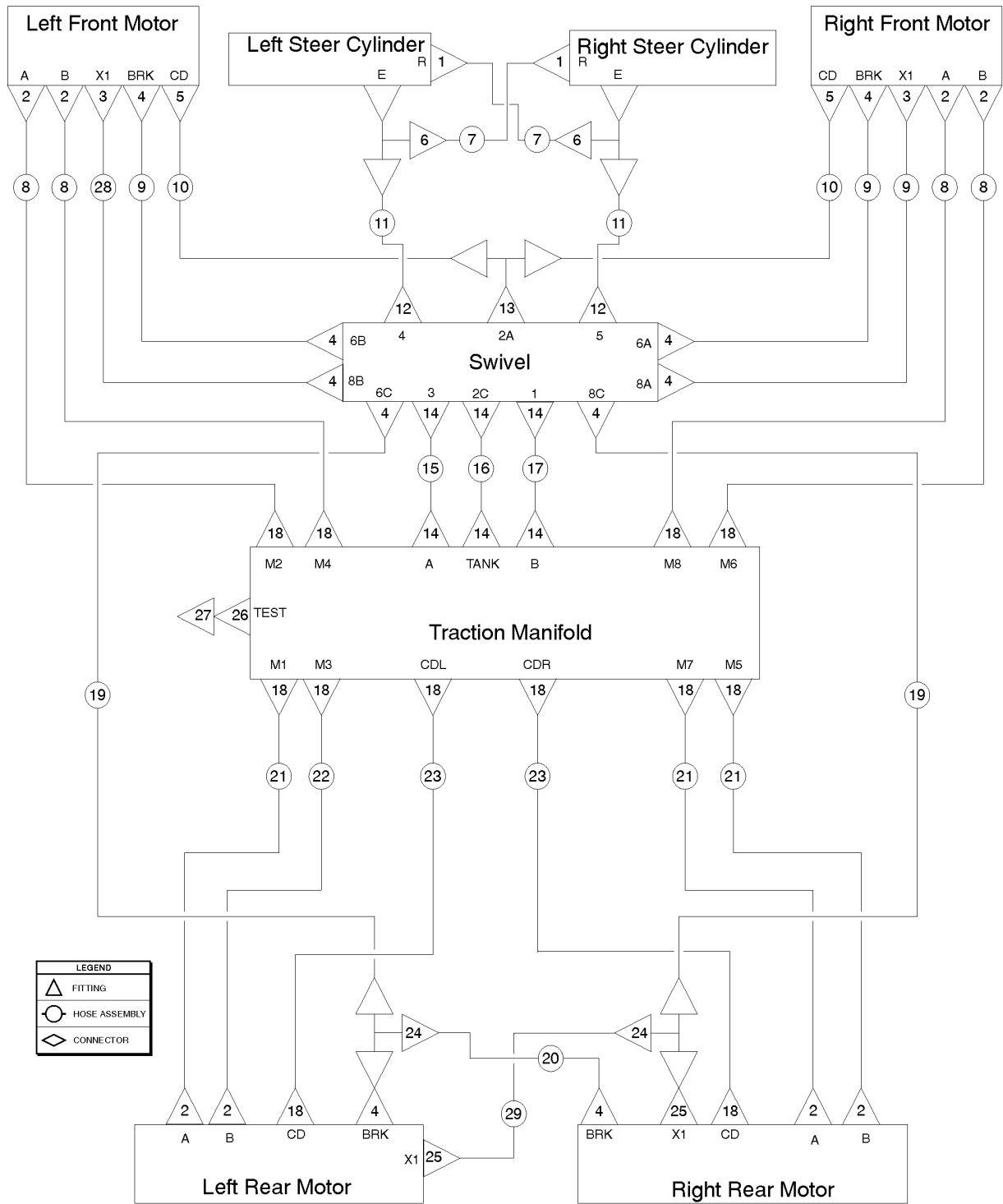
802.1 Function Manifold, View 2



<i>Item</i>	<i>Part No.</i>	<i>Description</i>	<i>Qty.</i>
24	88636-2573GT	HOSE ASSY 1/4,STR FEM,STR BULK	2
24-	75574GT	NUT,BULKHEAD,520118-4	
		(item sold seperately)	
25	49119-71325GT	ASSY, HOSE, HYD, -4, 3250, STR, STR	
26	1293787GT	No.4 90DEG ORFS W/125 MICRON SCREEN	1
27	1293788GT	No.4 STR ORFS W/125 MICRON SCREEN	1
28	54132GT	ELBOW,SWIVEL 90D, 520221-4	1



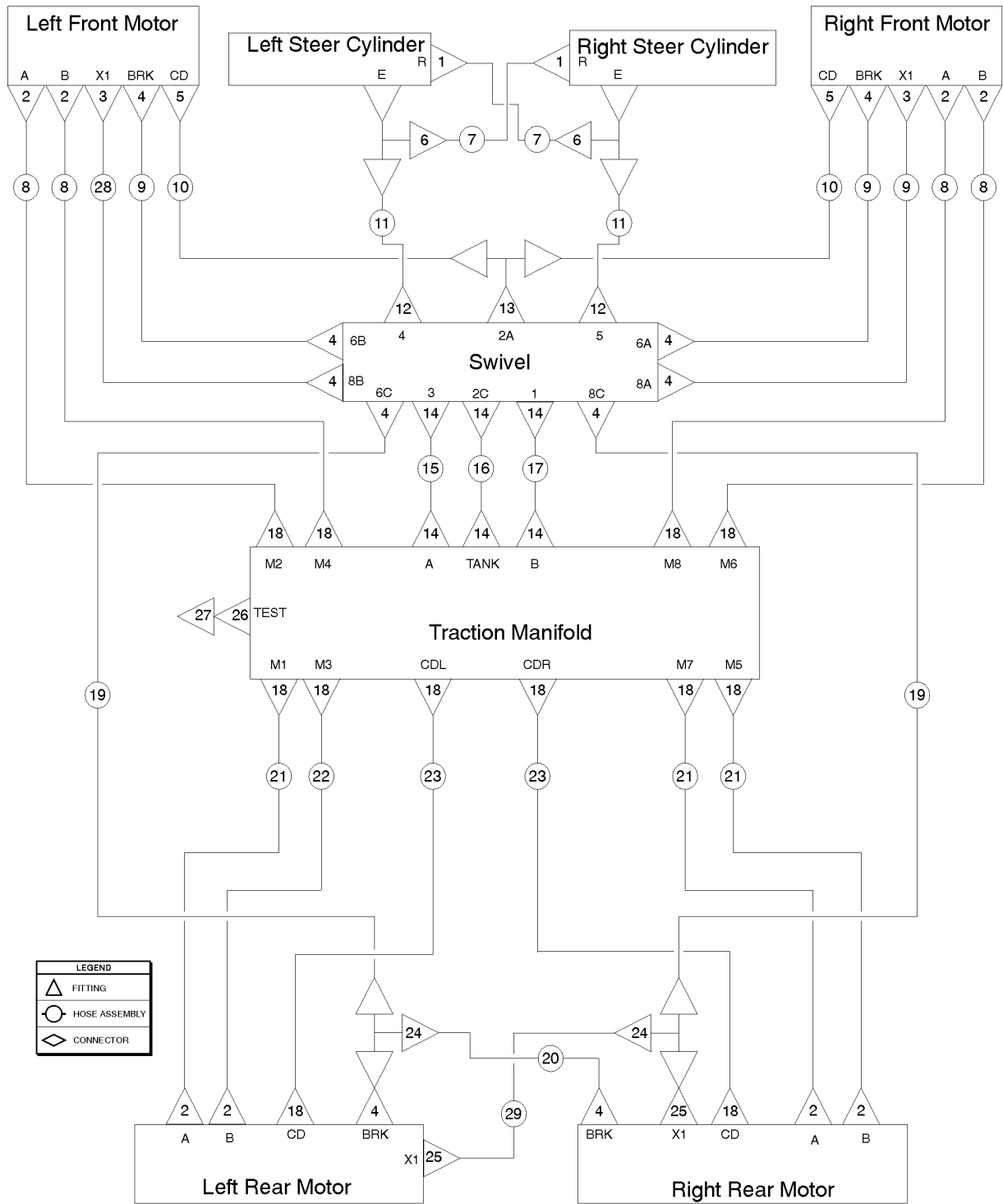
803.1 4WD Traction Manifold



Item	Part No.	Description	Qty.
The hose lengths below reflect the length of the hose only. Refer to the 'Fittings Cross Reference' to match Genie part numbers to Parker part numbers.			
1	48915GT	ELBOW,90D,520220-6	2
2	48948GT	CONN,520120-8-12	8
3	48912GT	CONN,520120-4-6***	2
4	48905GT	CONN,520120-4***	10
5	48930GT	CONN,520120-6-8	2
6	48918GT	TEE,RUN,520428-6	2
7	49130-2482GT	ASSY, HOSE, HYD, 3/8, 3000, STR Components: Genie part numbers 48812, 48812 and 48753 @ 23 inches	2
7B	101795-2482GT	HOSE ASSY,3/8,STR FEM,STR FEM Components: Genie part numbers 48812, 48812 and 101697 @ 23 inches (arctic option)	2
8	81812-13292GT	HOSE ASSY,1/2" Components: Genie part numbers 48822, 48822 and 56777 @ 131 inches	4
9	49117-10091GT	HOSE ASSY 1/4.90 FEM STR FEM Components: Genie part numbers 48800, 48802 and 48751 @ 99 inches	3
9B	101790-10091GT	HOSE ASSY,1/4.90 FEM,STR FEM Components: Genie part numbers 48800, 48802 and 101697 @ 99 inches (arctic option)	2
10	49131-9603GT	HOSE ASSEMBLY 3/8" Components: Genie part numbers 48812, 48819 and 48753 @ 94 inches	2
10B	102230-9589GT	HOSE ASSY,3/8,STR FEM,STR FEM Components: Genie part numbers 48812, 48819 and 101698 @ 94 inches (arctic option)	2
11	49130-4782GT	HOSE ASSY,3/8,STR FEM,STR FEM Components: Genie part numbers 48812, 48812 and 48753 @ 46 inches	2
12	48916GT	FITTING,CONN,520120-6	2
13	48936GT	TEE,BRANCH,520429-8	1
14	48960GT	FITTING,CONN,520120-12***	6
15	94374-2430GT	HOSE ASSY,3/4,90 FEM,STR FEM Components: Genie part numbers 48841, 48846 and 94358 @ 21 inches	1
16	94466-2336GT	HOSE ASSY,3/4" Components: Genie part numbers 48809, 48809 and 39889 @ 21 inches	1
17	94374-2630GT	HOSE ASSY,3/4,90 FEM,STR FEM** Components: Genie part numbers 48841, 48846 and 94358 @ 23 inches	1
18	48933GT	CONN,520120-8***	12
19	49119-7578GT	HOSE ASSY,1/4 STR FEM,STR FEM Components: Genie part numbers 48800, 48800 and 48751 @ 74 inches	2
20	49117-6291GT	HOSE ASSY,1/4,90 FEM,STR FEM Components: Genie part numbers 48800, 48802 and 48751 @ 61 inches	1
21	75278-5029GT	HOSE ASSY,1/2,90 FEM,STR FEM Components: Genie part numbers 48822, 48827 and 56777 @ 48 inches	3
22	75278-5129GT	HOSE ASSY,1/2,90 FEM,STR FEM** Components: Genie part numbers 48822, 48827 and 56777 @ 49 inches	1
23	94464-4986GT	HOSE ASSY,1/2"*** Components: Genie part numbers 48808, 77703 and 39888 @ 48 inches	2
24	48908GT	FITTING,TEE,RUN,SWIVEL520432-4	2



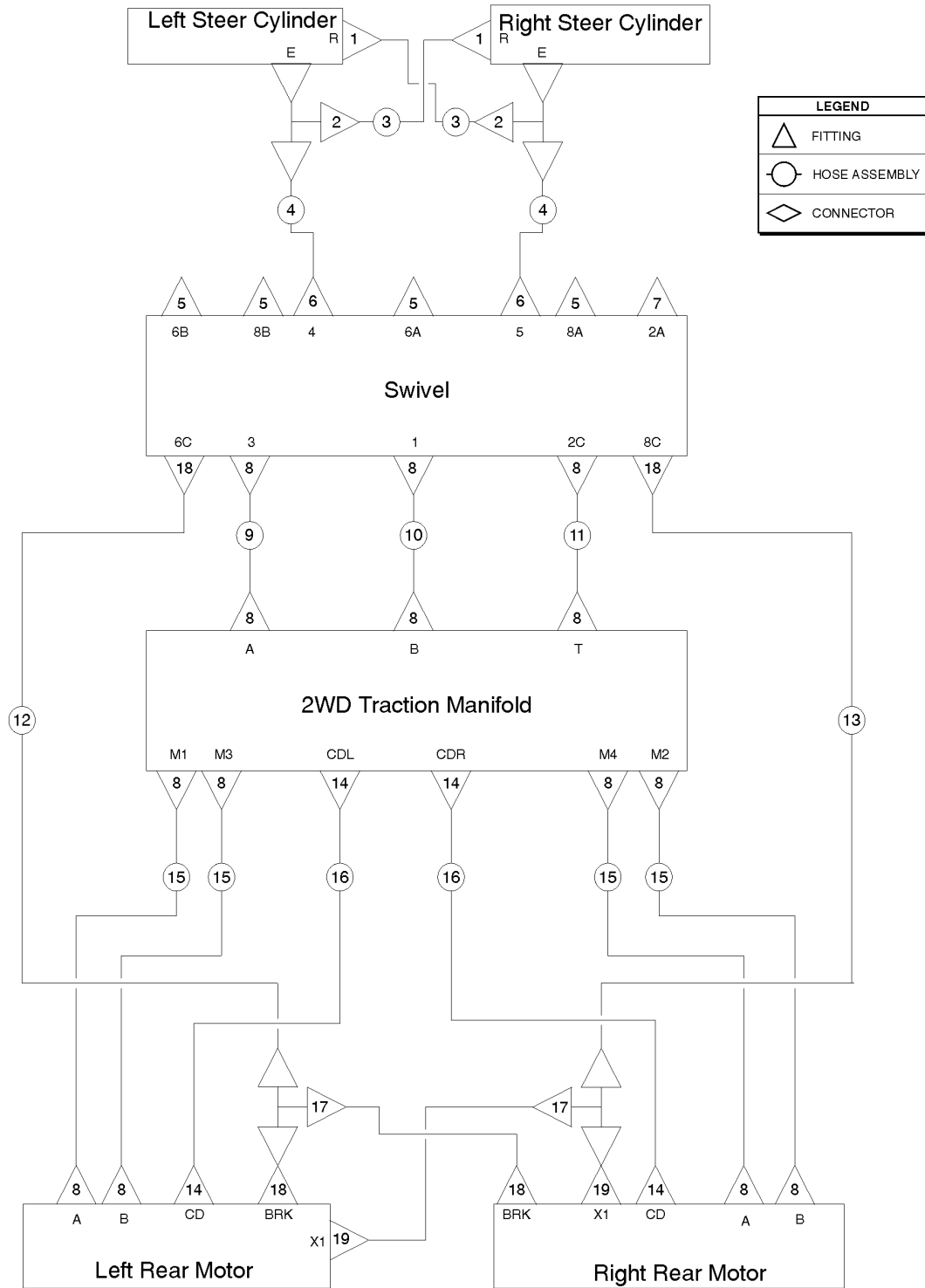
803.1 4WD Traction Manifold



<i>Item</i>	<i>Part No.</i>	<i>Description</i>	<i>Qty.</i>
25	48911GT	ELBOW,90D,520220-4-6***	2
26	48998GT	NIPPLE,DIAGNOSTIC,#6 PORT***	1
27	48880GT	CAP,DIAGNOSTIC NIPPLE	1
28	49117-10691GT	HOSE ASSY 1/4,90 FEM STR FEM Components: Genie part numbers 48800, 48802 and 48751 @ 105 inches	1
28B	101790-10691GT	HOSE ASSY,1/4,90 FEM,STR FEM Components: Genie part numbers 48800, 48802 and 48751 @ 105 inches (arctic option) ..	1
29	49117-6091GT	HOSE ASSY,1/4,90 FEM,STR FEM** Components: Genie part numbers 48800, 48802 and 48751 @ 59 inches	1



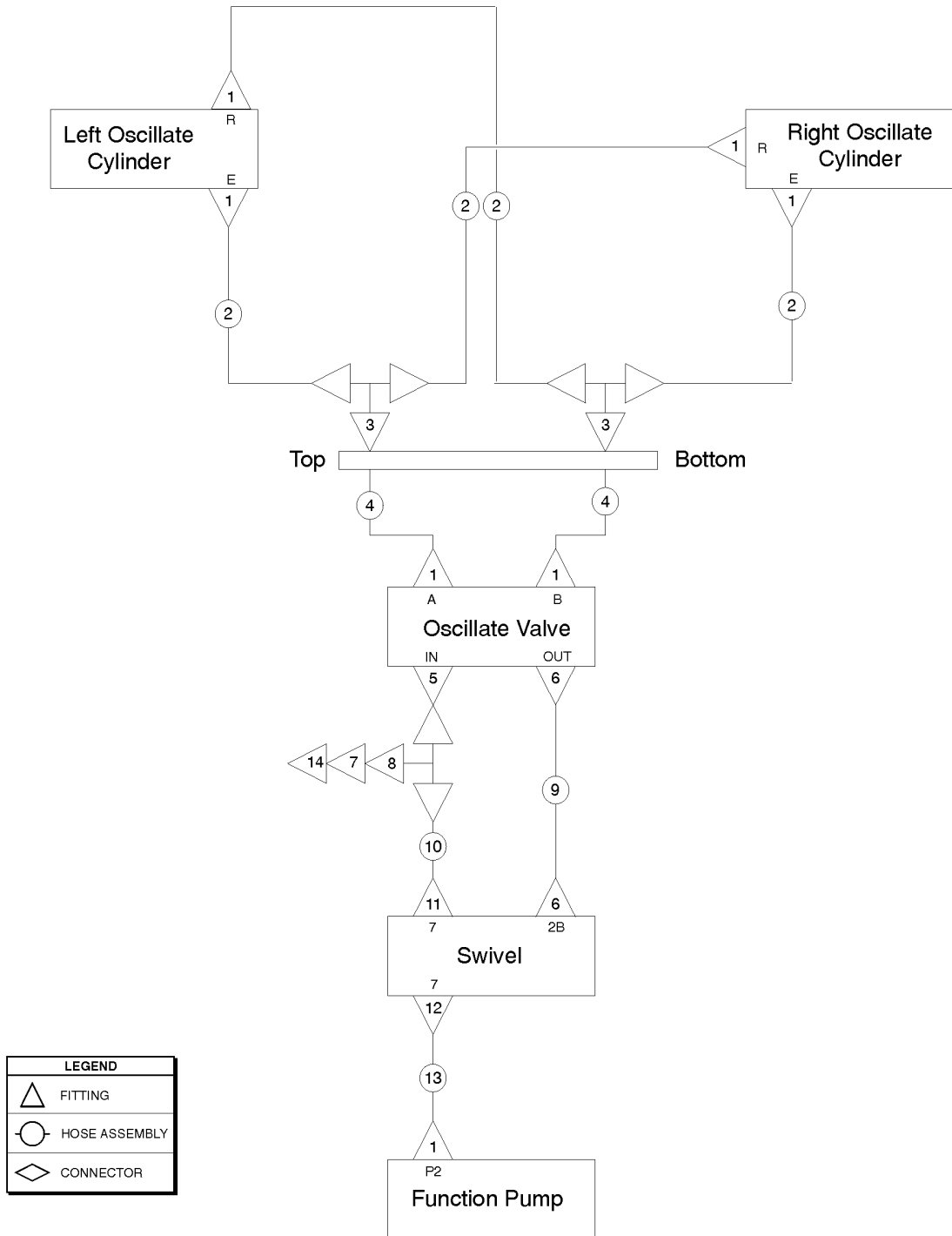
804.1 2WD Traction Manifold



Item	Part No.	Description	Qty.
		The hose lengths below reflect the length of the hose only. Refer to the 'Fittings Cross Reference' to match Genie part numbers to Parker part numbers.	
1	48915GT	ELBOW,90D,520220-6	2
2	48918GT	TEE,RUN,520428-6	2
3	49130-2482GT	ASSY, HOSE, HYD, 3/8, 3000, STR Components: Genie part numbers 48812, 48812 and 48753 @ 23 inches	2
4	49130-4782GT	HOSE ASSY,3/8,STR FEM,STR FEM Components: Genie part numbers 48812, 48812 and 48753 @ 46 inches	2
4B	101795-4782GT	HOSE ASSY,3/8,STR FEM,STR FEM Components: Genie part numbers 48812, 48812 and 101698 @ 46 inches (arctic option)	2
5	49859GT	PLUG,HEX,090109A-4	4
6	48916GT	FITTING,CONN,520120-6	2
7	48883GT	PLUG,HEX,090109A-8***	1
8	48960GT	FITTING,CONN,520120-12***	14
9	94374-2330GT	HOSE ASSY,3/4,90 FEM,STR FEM Components: Genie part numbers 48841, 48846 and 94358 @ 20 inches	1
10	94374-2530GT	HOSE ASSY,3/4,90 FEM,STR FEM Components: Genie part numbers 48841, 48846 and 94358 @ 22 inches	1
11	94466-2336GT	HOSE ASSY,3/4"	1
12	49119-7578GT	HOSE ASSY,1/4 STR FEM,STR FEM Components: Genie part numbers 48800, 48800 and 48751 @ 74 inches	1
13	49119-7578GT	HOSE ASSY,1/4 STR FEM,STR FEM Components: Genie part numbers 48800, 48800 and 48751 @ 74 inches	1
14	48933GT	CONN,520120-8***	4
15	94374-4730GT	HOSE ASSY,3/4,90 FEM,STR FEM Components: Genie part numbers 48841, 48846 and 94358 @ 44 inches	4
16	94464-4986GT	HOSE ASSY,1/2"*** Components: Genie part numbers 48808, 77703 and 39888 @ 48 inches	4
17	48908GT	FITTING,TEE,RUN,SWIVEL520432-4	2
18	48905GT	CONN,520120-4***	2
19	48911GT	ELBOW,90D,520220-4-6***	1



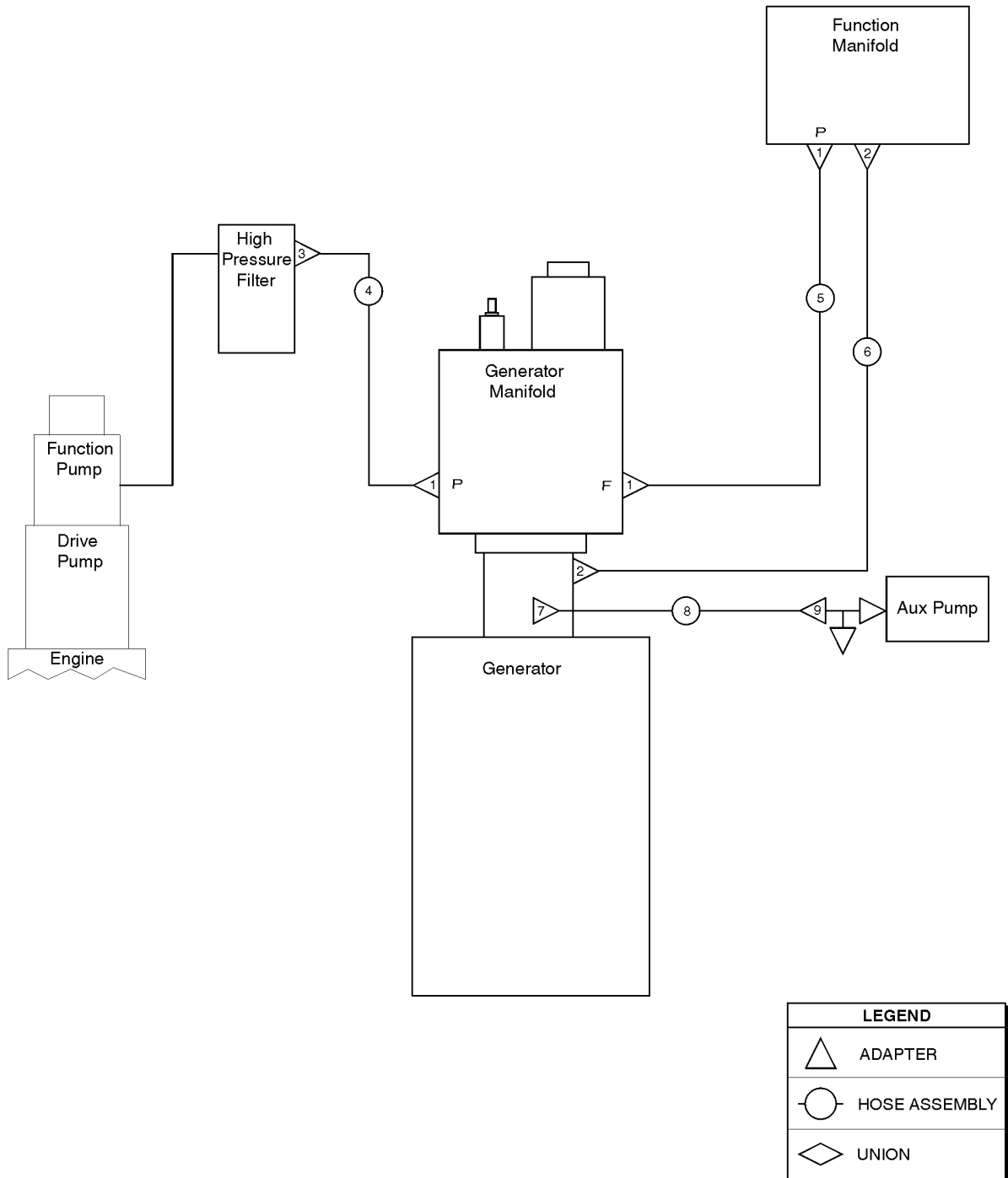
805.1 Oscillate Option



Item	Part No.	Description	Qty.
		The hose lengths below reflect the length of the hose only. Refer to the 'Fittings Cross Reference' to match Genie part numbers to Parker part numbers.	
1	48912GT	CONN,520120-4-6***	7
2	49117-3291GT	HOSE ASSY,1/4,90 FEM,STR FEM** Components: Genie part numbers 48800, 48802 and 48751 @ 31 inches	4
3	48891GT	FITTING,TEE,BRANCH,520433-4	2
4	88636-8573GT	HOSE ASSY 1/4,STR FEM,STR BULK Components: Genie part numbers 48800, 75628 and 48751 @ 83 inches	2
5	48914GT	CONN,520120-4-8	1
6	48933GT	CONN,520120-8***	2
7	49207GT	NIPPLE,DIAGNOSTIC,ORFS,FM,SWIV	1
8	48908GT	FITTING,TEE,RUN,SWIVEL520432-4	1
9	94464-4186GT	HOSE ASSY,1/2" Components: Genie part numbers 48808, 77703 and 39888 @ 40 inches	1
10	49117-4691GT	HOSE ASSY,1/4,90 FEM,STR FEM Components: Genie part numbers 48800, 48802 and 48751 @ 45 inches	1
11	48905GT	CONN,520120-4***	1
11B	49859GT	PLUG,HEX,090109A-4 models without oscillate	1
12	48904GT	CONN,520120-4***	1
13	49117-5191GT	HOSE ASSY,1/4,90 FEM,STR FEM** Components: Genie part numbers 48800, 48802 and 48751 @ 50 inches	1
14	48880GT	CAP,DIAGNOSTIC NIPPLE	1






806.1 Hydraulic Generator Option

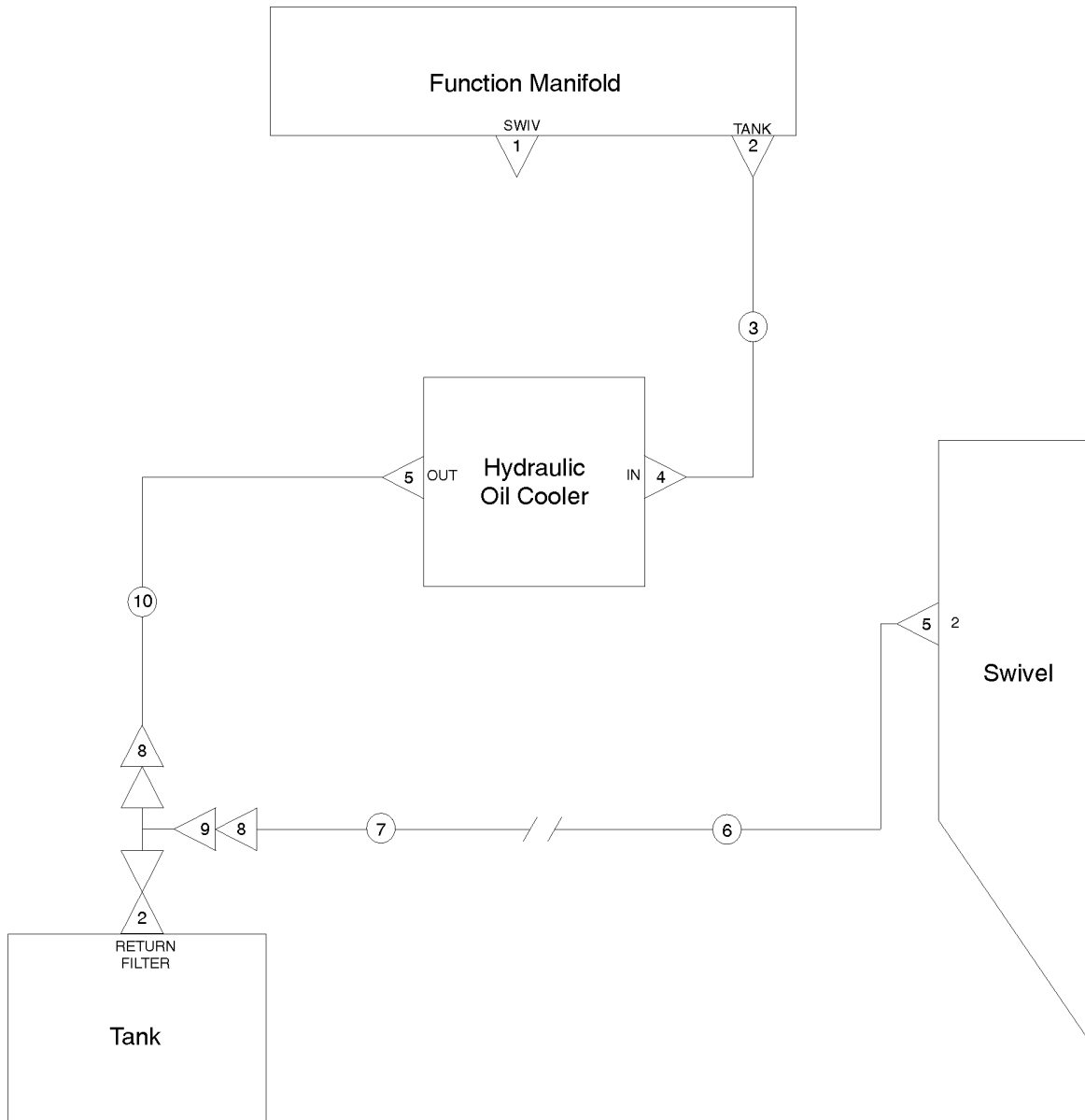


<i>Item</i>	<i>Part No.</i>	<i>Description</i>	<i>Qty.</i>
1	48960GT	FITTING,CONN,520120-12*** (includes 45° and reducer)	3
2	48933GT	CONN,520120-8***	2
3	48963GT	FITTING,ELBOW,45D,520320-12***	1
4	61073-3405GT	ASSY, HOSE, HYD, -12, 3000, STR, 90	1
5	61073-7330GT	HOSE ASSY,3/4,90 FEM,STR FEM	1
6	49183-7592GT	HOSE ASSEMBLY,1/2,STR FEM	1
7	49861GT	CONN,LONG,520122-4	1
8	49117-6119GT	HOSE ASSY,1/4,90 FEM,STR FEM**	1
9	48908GT	FITTING,TEE,RUN,SWIVEL520432-4	1



807.1 Hydraulic Oil Cooler Option

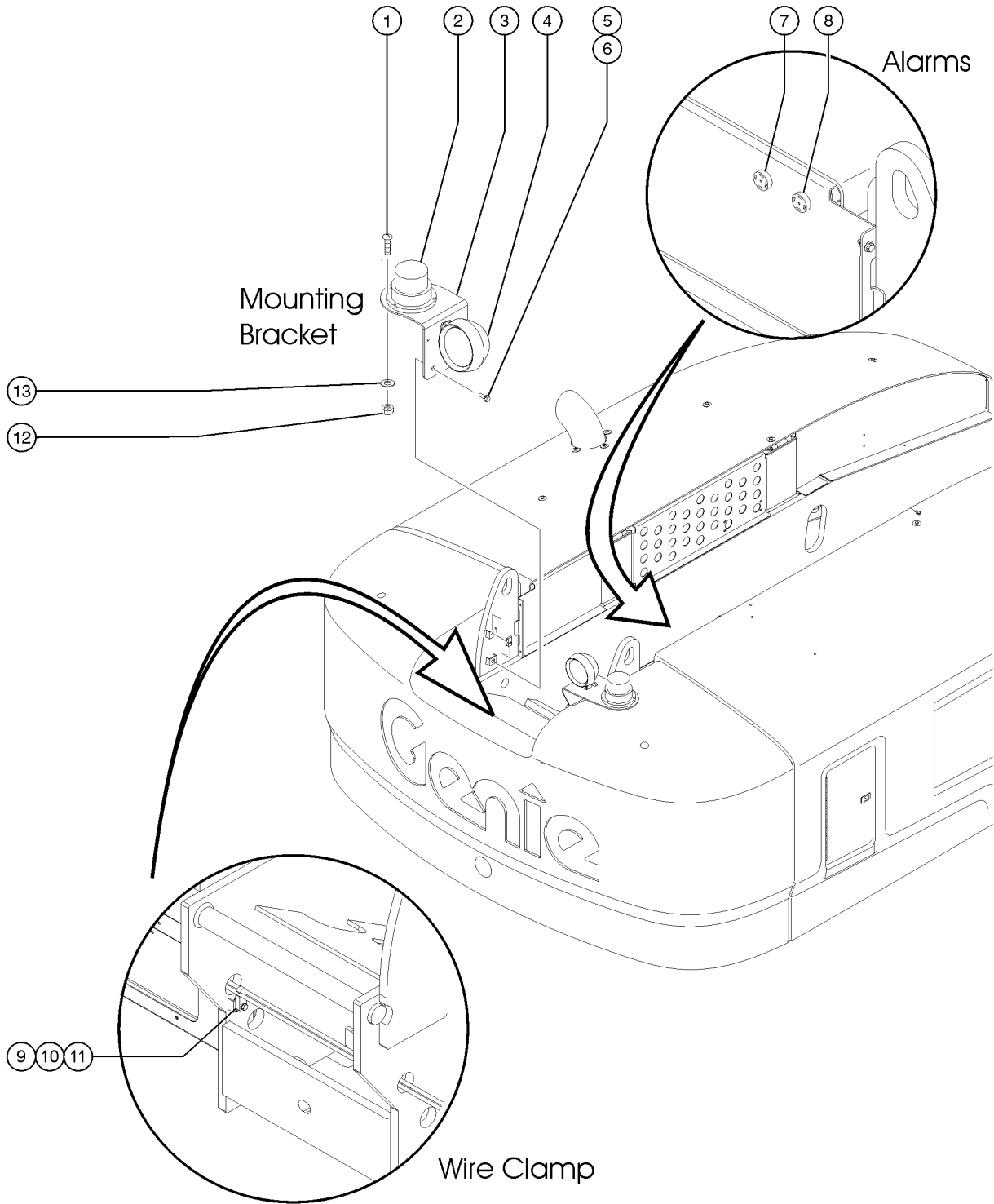
LEGEND	
	FITTING
	HOSE ASSEMBLY
	CONNECTOR



<i>Item</i>	<i>Part No.</i>	<i>Description</i>	<i>Qty.</i>
1	87172GT	PLUG,HEX SOCKET,090109B-12	1
2	48984GT	CONN,520120-16	2
3	88949-3828GT	HOSE ASSY 1",STR FEM,STR FEM	1
4	48878GT	ELBOW,90D,520220-16-12	1
5	48960GT	FITTING,CONN,520120-12***	2
6	49151-6248GT	HOSE ASSY,3/4,STR FEM,STR FEM	1
7	94205-3164GT	HOSE ASSY,3/4,45 FEM,STR MALE	1
8	101293GT	REDUCER,520123-16-12	2
9	42787GT	TEE,RUN,SWIVEL,520432-16	1
10	49150-2855GT	ASSY, HOSE, HYD, -12, 1750, STR, 90	1



901.1 Drive Lights, Alarm and Beacon Packages

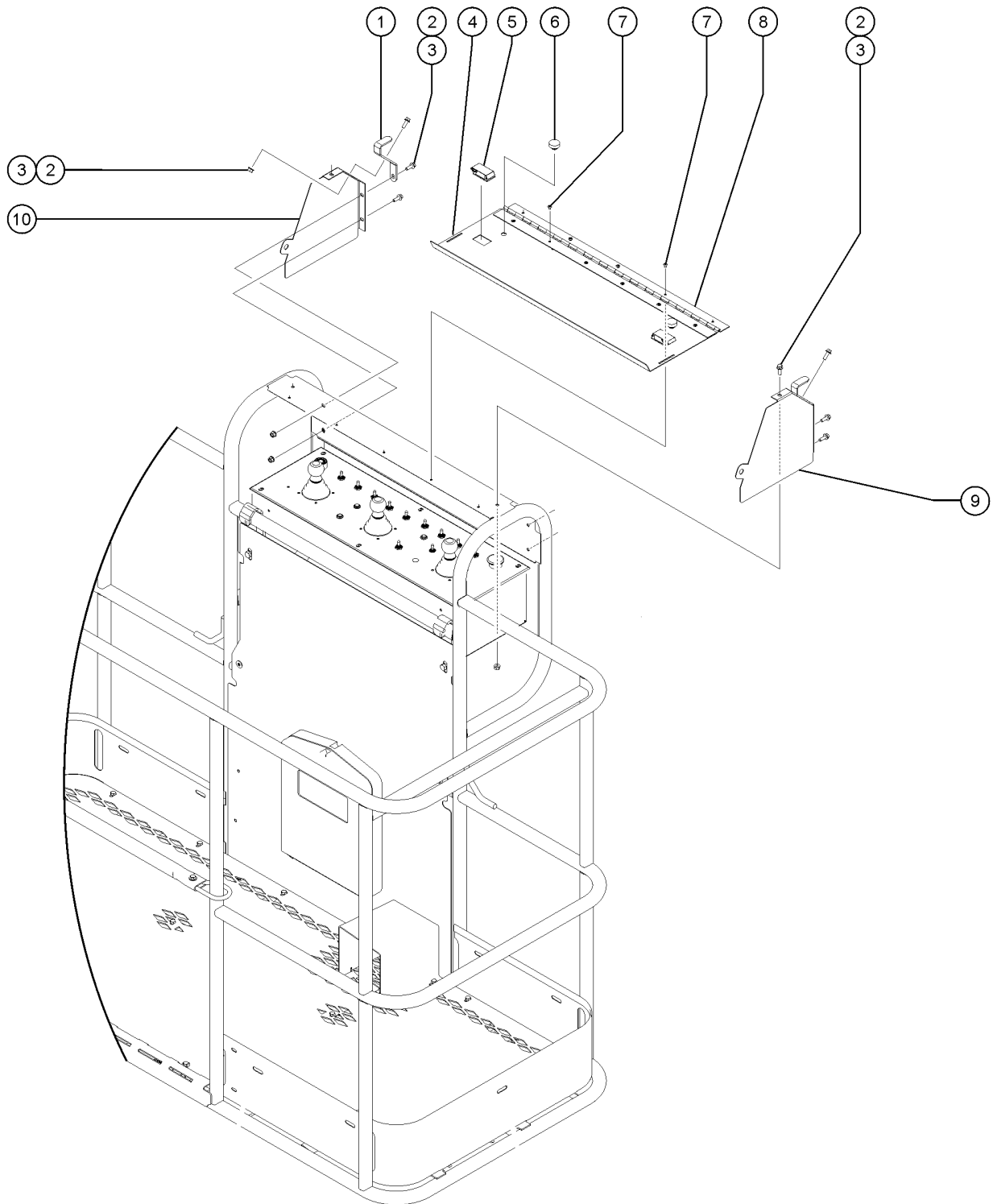


901.1 Drive Lights, Alarm and Beacon Packages

Item	Part No.	Description	Qty.
1	6147GT	SCREW,RHM,10-32 X 1	
2	56704GT	STROBE,FIREBOLT,12-80VDC,AMB** Replaced 20189	2
2-	122019GT	FLASHTUBE,U SHAPED,360DEG,BULB	
2-	226393GT	FLASHTUBE,STRAIGHT,360DEG,BULB	
2-	72282GT	LENS,AMBER,STROBE,FIREBOLT	
2-	128005GT	HARNESS,BEACON OPTION	
3	1253796GT	FORMING, LIGHT/BEACON BRKT, RH	1
3B	1253795GT	FORMING, LIGHT/BEACON BRKT, LH	1
4	107857GT	LIGHT, 12 VOLT	2
4-	35960GT	BULB,WORKLIGHT,12V 35W	
4-	119065GT	CONN,RECEP 2 WAY ENDCAP DT	
4-	56051GT	WIRE CABLE,16/2,WHT/BLK,SJEOW	
4-	60439GT	LOCK,RECEP 2 WAY, 14-18GA	
4-	73713GT	TERM,NI PIN,S&F,16-18GA,REEL	
5	121066GT	SCREW,HHC,FLG,3/8-16 X 1 GR8	
6	29868GT	SPRING CLIP,3/8-16,.05-.20X.73,ZAG	4
7		REF: Descent Alarm (refer to 301.1)	
8	18963GT	ALARM,INTERMITTENT TONE 6-30V* Does not include 72326 nut	1
8-	72326GT	NUT,PLASTIC,RING FOR ALARMS	1
9	822692GT	CLAMP, WIRE, 16/2 (one of 2 shown)	2
10	6175GT	SCREW,HHC,3/8-16 X 1	
11	6021GT	WASHER,LOCK,.375	
12	6178GT	NUT,NYLOCK,10-32	
13	6146GT	WASHER,FLAT,MS,#10,Y	



902.1 Platform Control Cover Option

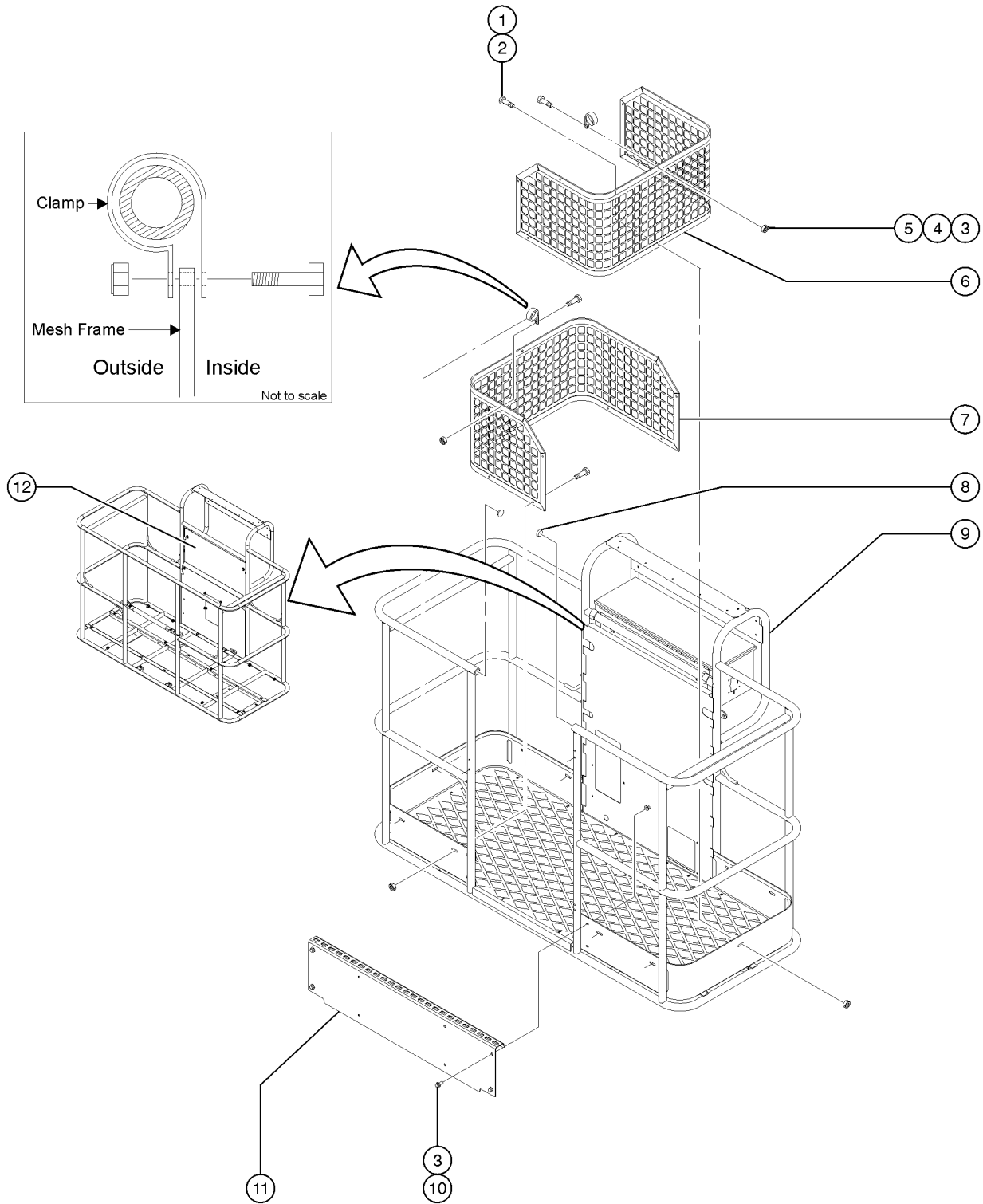


902.1 Platform Control Cover Option

<i>Item</i>	<i>Part No.</i>	<i>Description</i>	<i>Qty.</i>
1	102786PGT	FORMING,LATCH,CTRL BOX LID PTD None	2
2	824078GT	SCREW,HHF,1/4-20X.75,8,ZAG	8
3	824027GT	NUT,TL FLG,1/4-20,G,ZAG	8
4	102785PGT	CONTROL BOX COVER,LID,PTD	1
5	30468GT	LATCH,SLIDE, FLUSH MOUNT STYLE	2
6	43392GT	BUMPER,BATTERY BOX & RAILS	2
7	87085GT	RIVET,ALUM,P,.188 X .25	11
8	111526GT	HINGE,PLAT CONTROL BOX COVER	1
9	88606PGT	COVER,CONTROL BOX RIGHT SIDE**	1
10	88607PGT	COVER,CONTROL BOX LEFT SIDE***	1



903.1 Half Mesh and Platform Toeboard

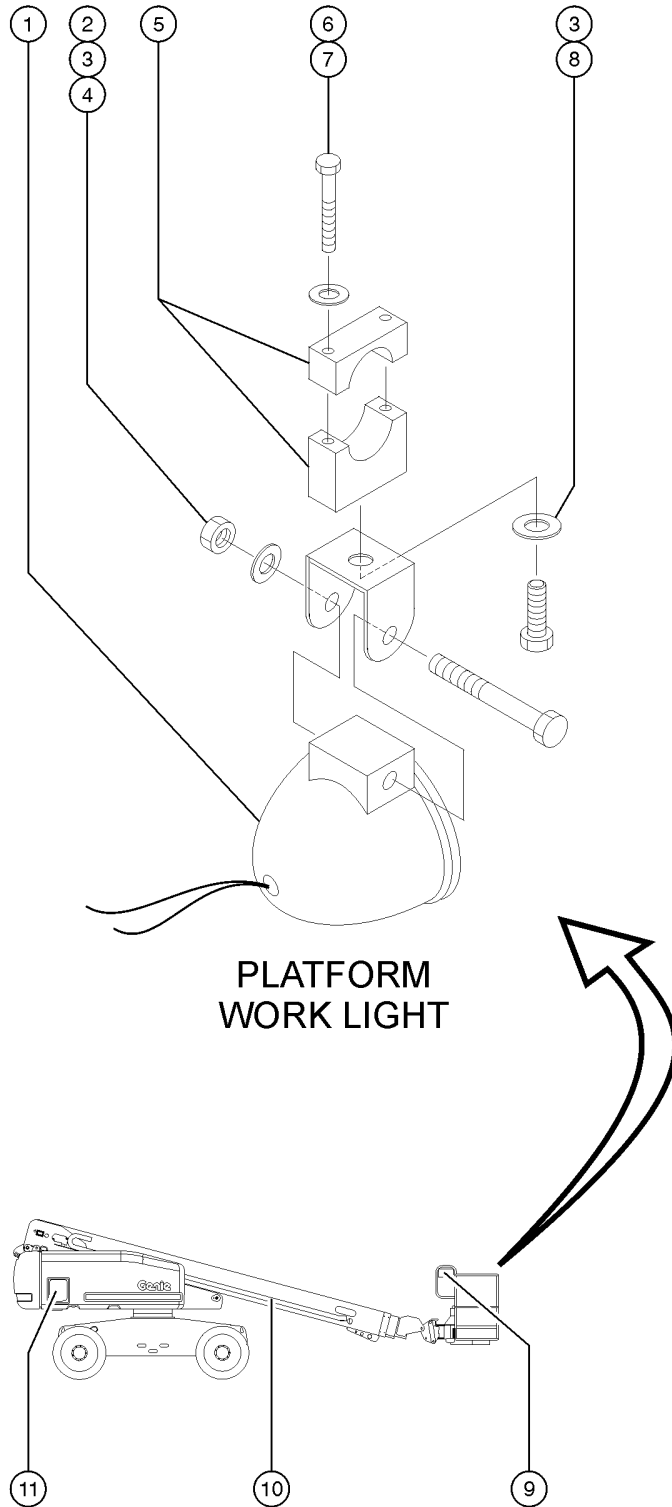


903.1 Half Mesh and Platform Toeboard

Item	Part No.	Description	Qty.
1	824085GT	SCREW,HHF,5/16-18X.75,8,ZAG	
2	824028GT	NUT,TL FLG,5/16-18,G,ZAG	
3	824027GT	NUT,TL FLG,1/4-20,G,ZAG	16
4	56424GT	CLAMP,1.25X.5 RUBBER-CUSHION	16
5	824078GT	SCREW,HHF,1/4-20X.75,8,ZAG	
6	54458GT	MESH,HALF,LH,6'PLATFORM	1
		6ft	
6B	73501GT	HALF MESH,8'PLATFORM,LH	1
		8ft	
7	54465GT	MESH,HALF,RH,6'PLATFORM	1
		6ft	
7B	73500GT	HALF MESH,8'PLATFORM,RH***	1
		8ft	
8	55753GT	BUMPER, PLASTIC, 1.25 O.D.	2
9		REF: Platform Weldment	1
		(refer to 701.1)	
10	1256855	WASHER FLAT BONDED RUB	
11	94745PGT	TOEBOARD,ENTRY EUROPEAN PNTD**	
12	73901GT	DECAL PLATE,MESH	1
		decals not included	



904.1 Platform Work Lights

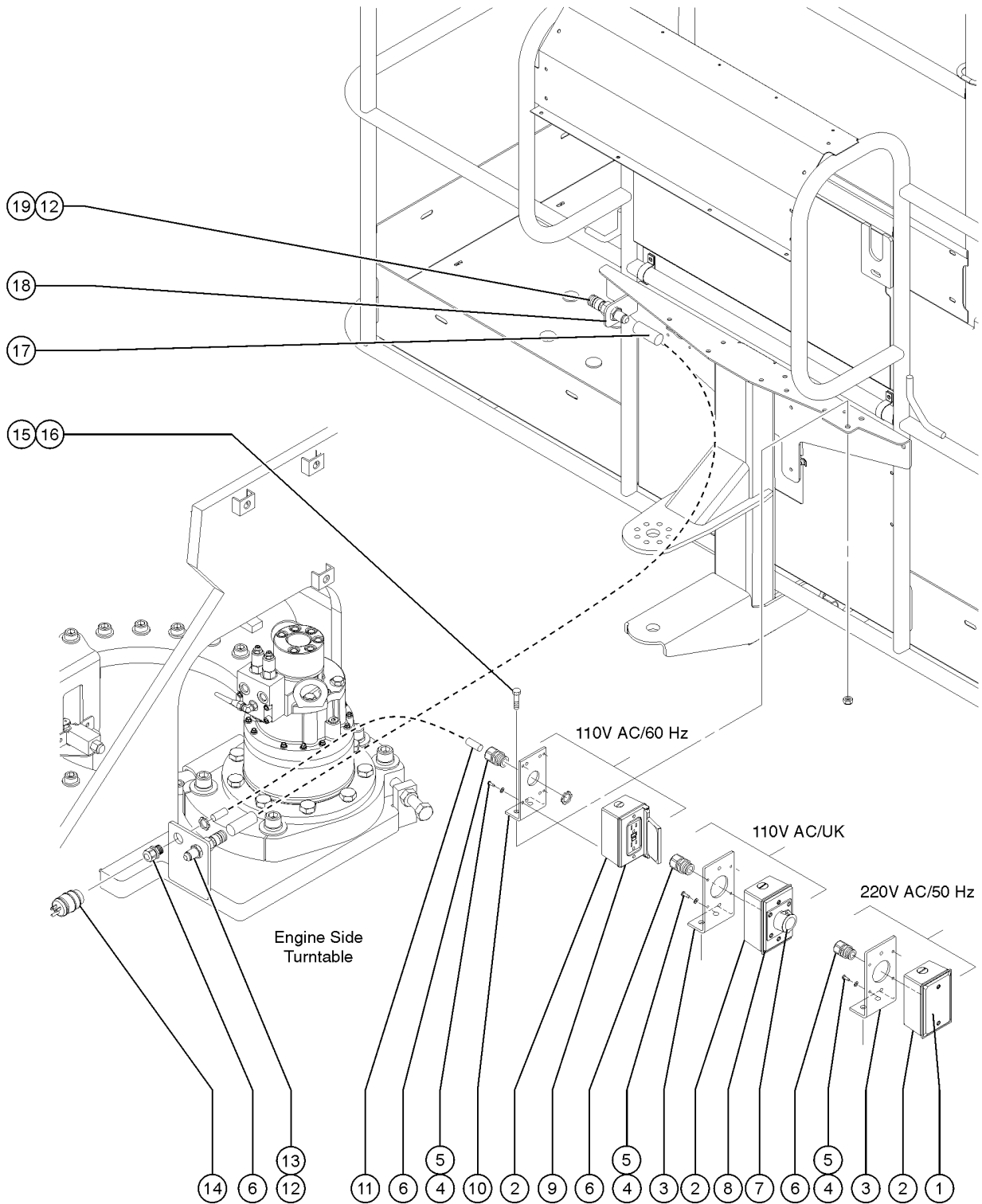


904.1 Platform Work Lights

Item	Part No.	Description	Qty.
1	71498GT	WORKLIGHT, 12V, DEUTSCH RECEPT includes mount (not available separately)	2
2	4828GT	NUT,NYLOCK,3/8-16	
3	5397GT	WASHER,FLAT,USS,5/16",Y	
4	8178GT	SCREW,HHC,3/8-16 X 2.5	
5	35956GT	BRACKET,WORK LIGHT MOUNT 5/16"	
6	6145GT	SCREW,HHC,1/4-20 X 1.5	
7	6356GT	WASHER,LOCK,.25	
8	10107GT	SCREW,HHC,5/16-18 X .75	
9		Ref: HARNESS,12V WORK LIGHTS refer to 308.1	
10		Ref: CABLE,S60 & S65 12VDC WORK LIGHT refer to 308.1	
11		Ref: HARN,12V WORK LIGHT RELAY refer to 308.1	



905.1 Air line and Power to Platform

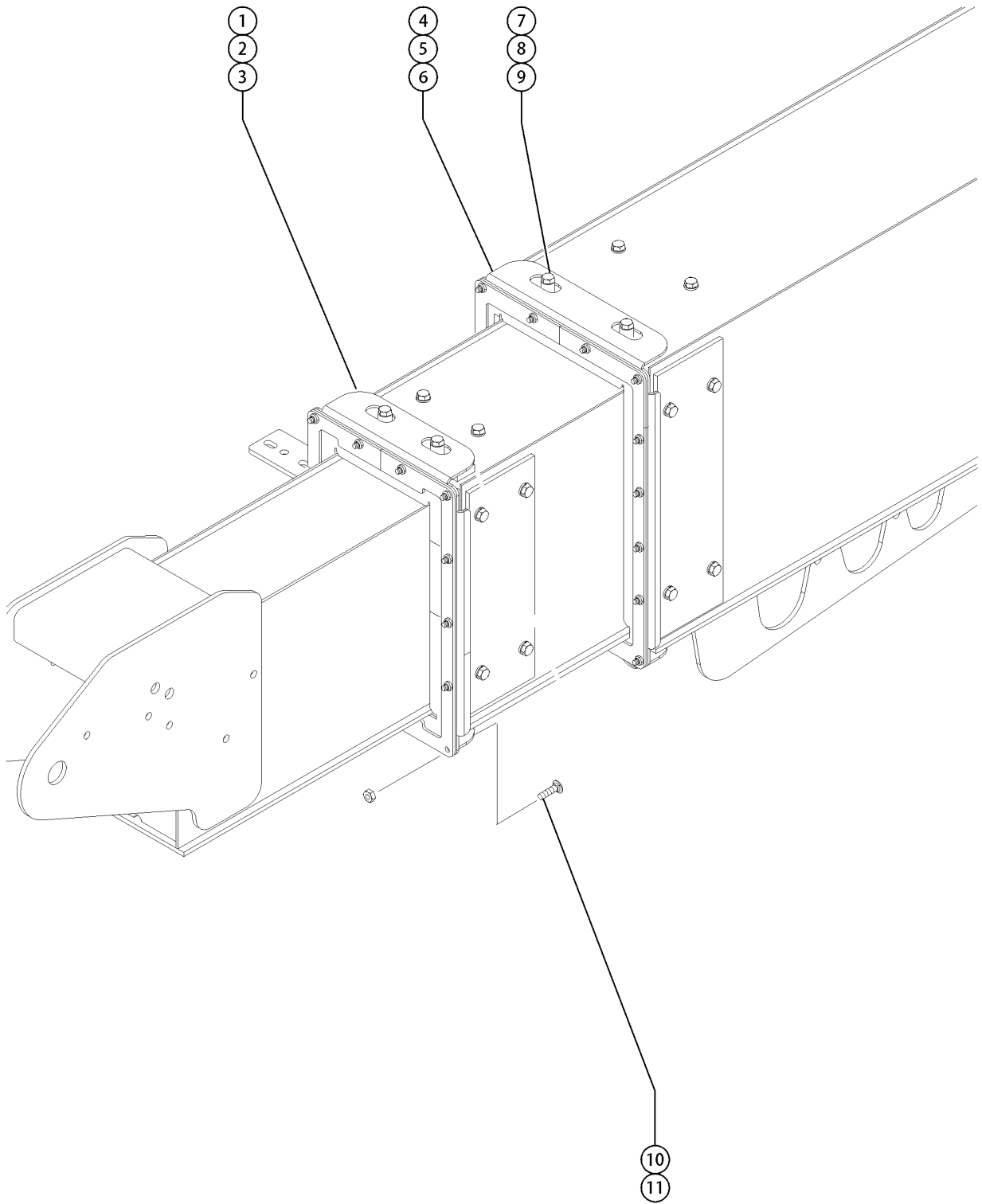


905.1 Air line and Power to Platform

Item	Part No.	Description	Qty.
1	10777GT	COVER,BLANK	1
1-	33724GT	KIT,GASKET,UK POWER TO PLAT	
1-	81458GT	GASKET, UK POWER TO PLAT	
2	10775GT	T-BOX,2.75 X 4.5 X 2.0	1
3	81096GT	BRACKET,POWER TO PLAT, DOM ANSI models	1
4	57075GT	SCREW,PHIL,8-32X.50,SELF TAP	4
5	35461GT	WASHER,FLAT,MS,#8,Y	4
6	7056GT	CONN,SQUEEZE,1/2NPT .38-.50,SM	2
6-	6935GT	LOCKNUT,ELEC,1/2"	
7	T112560GT	RECEPTACLE,UK,110V	1
8	T112561GT	PLATE,UK,POWER TO PLAT	1
9	13585GT	OUTLET, 110V	1
9-	74006GT	COVER,GFCI,HORIZONTAL,WEATHER	
10	81096GT	BRACKET,POWER TO PLAT, DOM	1
11		Ref. Harness, Power to Platform	1
		refer to 308.1	
12	49212GT	FEMALE BULKHEAD CONNECTOR-8	2
13	49214GT	MALE PIPE THD,1/4" SER,3/8"X18	
14	119403GT	CONN,PLUG 120 AC/15A DOMESTIC	1
14B	144161GT	PLUG,PWR,UK,16AMP,3PIN,BLK	1
15	6019GT	SCREW,HHC,3/8-16 X 1.25 GRD 5	2
16	4828GT	NUT,NYLOCK,3/8-16	2
17	49177-102894GT	HOSE ASSEMBLY,1/2"*** S-60	1
17B	39888-183600GT	HOSE,1/2,LOW PRESSURE,801-8 S-65	1
18	60886PGT	BRACKET,AIRLINE TO PLATFORM	1
19	49215GT	MPT,CPLR,1/4"SER,3/8"X18	



906.1 Hostile Environment, Boom Wipers

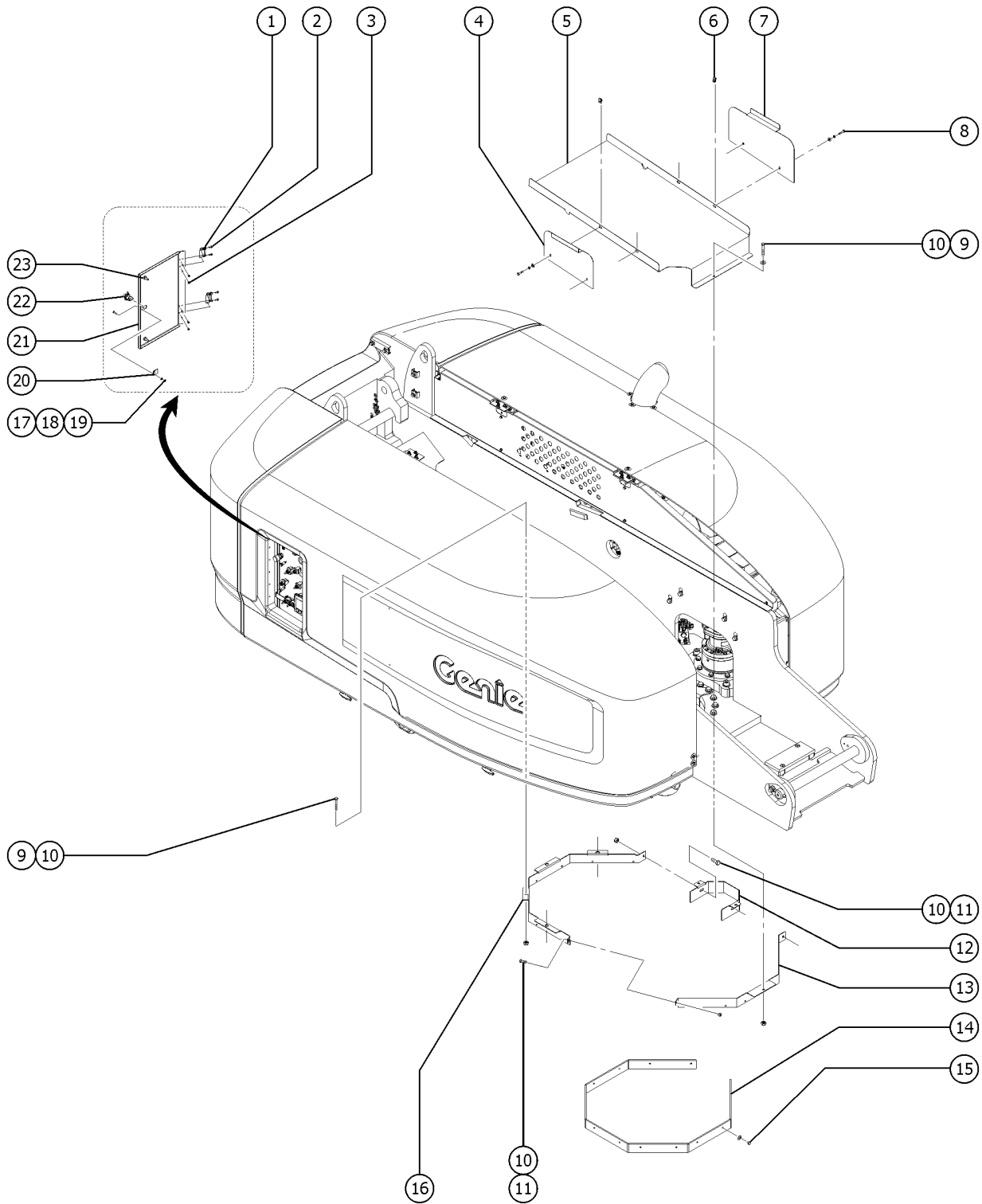


906.1 Hostile Environment, Boom Wipers

<i>Item</i>	<i>Part No.</i>	<i>Description</i>	<i>Qty.</i>
1	119087GT	FORMING BRKT, WIPER 2 TO 3	2
2	119089GT	WIPER RUBBER, 2 TO 3	1
3	119088GT	PLATE BACKING, WIPER 2 TO 3	2
4	119084GT	FORMING BRKT, WIPER 1 TO 2	2
5	119086GT	WIPER RUBBER, 1 TO 2	1
6	119085GT	PLATE BACKING, WIPER 1 TO 2	2
7	1253478GT	SCREW,HHF,3/8-16X2,8,ZAG	8
8	101932GT	TUBE, RD., STL., DOM .75 X .437 X .78	8
9	119090GT	SPACER, BOOM TOP	2
10	1277924GT	NUT,NYLOCK FLG,1/4-20,F,ZAG	2
11	824124GT	BOLT, CARRIAGE, 1/4-20 X .75, 5, ZAG	



907.1 Hostile Environment, Turntable Components

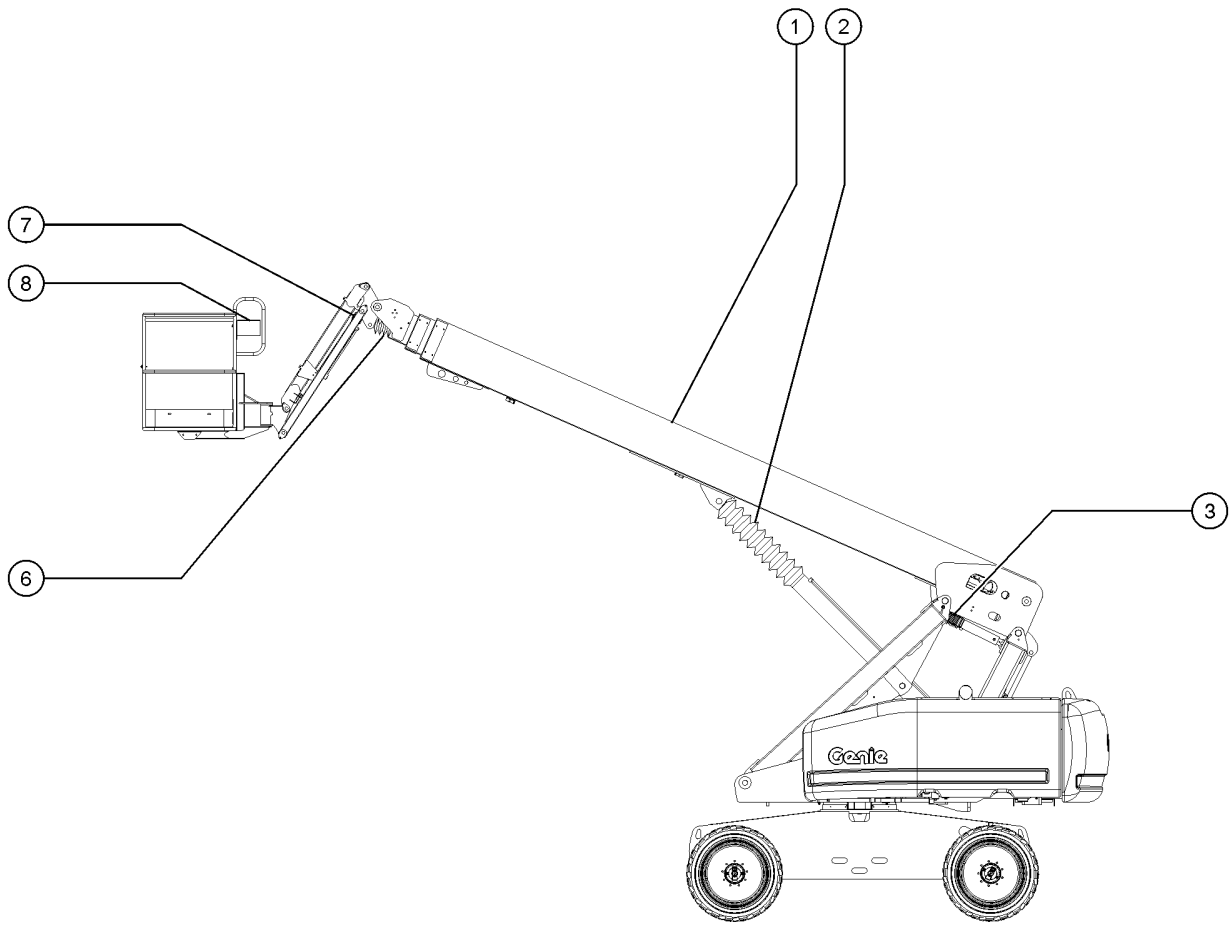


907.1 Hostile Environment, Turntable Components

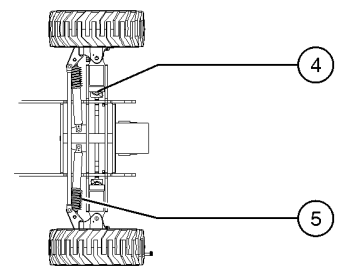
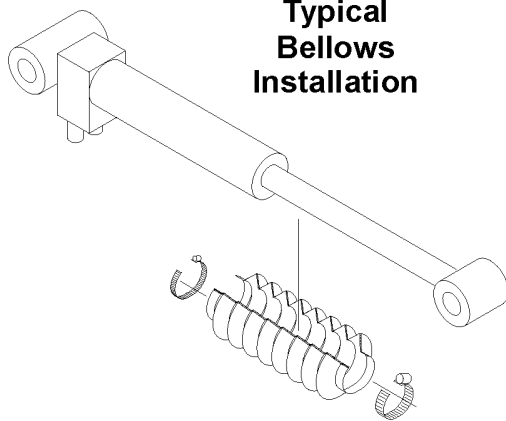
Item	Part No.	Description	Qty.
1	1259584GT	HINGE,CONSTANT TORQUE	2
2	218457GT	SPACER,GUARD,ALTERNATOR	4
3	229845GT	SCREW,BHSCS,M5X10,SS	4
4	77997PGT	FORMING,TT LH SIDE COVER PAINT	1
5	77996PGT	TURNTABLE CENTER COVER PAINTED	1
6	56912GT	SPRING CLIP,1/4-20,.025-.15X.5	4
7	77998PGT	FORMING,TT RH SIDE COVER PAINT	1
8	824078GT	SCREW,HHF,1/4-20X.75,8,ZAG	
9	1256856GT	SCREW,HHF,3/8-16X2.5,8,ZAG	
10	824029GT	NUT,TL FLG,3/8-16,G,ZAG	
11	824090GT	SCREW,HHF,3/8-16X1,8,ZAG	
12	77879PGT	FORMING,PINION GUARD PAINTED	1
13	70318PGT	FORMING,WIPER GUARD RT (models with Deluxe Hostile Option)	1
14	70319GT	WIPER,RING GEAR GUARD (models with Deluxe Hostile Option)	1
15	81167GT	RIVET,ALUM,P,.25X.625	14
16	70317PGT	FORMING,WIPER GUARD LT (models with Deluxe Hostile Option)	1
17	1256804GT	NUT,10-32,ZAG	1
18	1253185GT	WASHER,FLAT,#10,USS,ZAG	1
19	824215GT	SCREW, PHPM, 10-32 X .75, ZAG	1
20	1261001GT	STRIKER, LATCH	1
21	1260979GT	ASSEMBLY, GROUND CONTROL BOX C (complete, includes hinges, latch and fasteners)	1
22	1259583GT	LATCH,PUSH BUTTON	1
23	34619GT	BUMPER,RUBBER***	2



908.1 Hostile Environment, Cylinder Bellows and Cable Track



**Typical
Bellows
Installation**

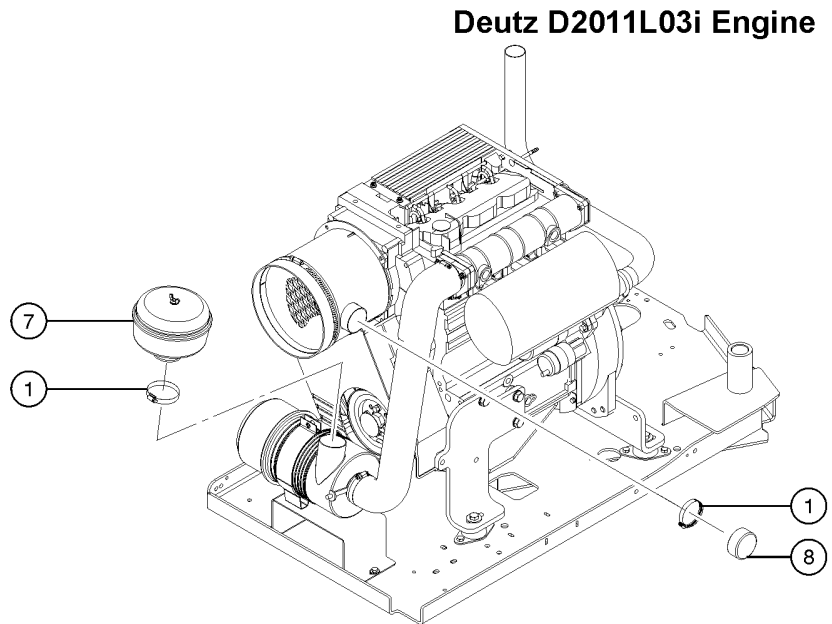
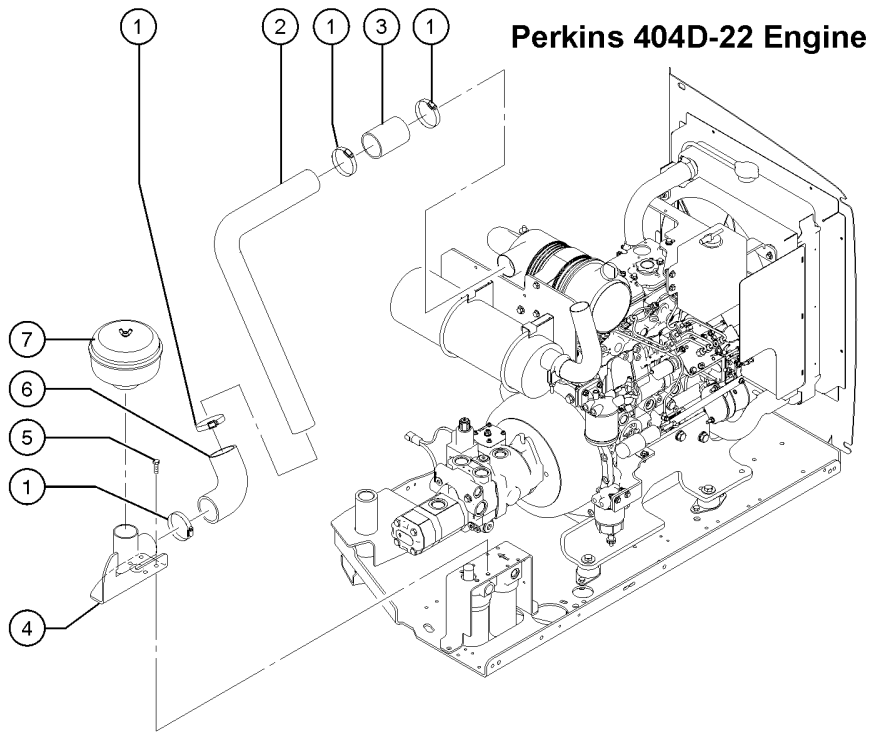


908.1 Hostile Environment, Cylinder Bellows and Cable Track

Item	Part No.	Description	Qty.
1	106099GT	COVER,CABLE TRACK (not shown) models with Deluxe Hostile Option	1
1	1277924GT	NUT,NYLOCK FLG,1/4-20,F,ZAG	4
1	824079GT	SCREW,HHF,1/4-20X1,8,ZAG	4
2	94479GT	BELLOWS,CYLINDER LIFT	1
2-	35432GT	CLAMP,HOSE,6.50	
2-	34955GT	CLAMP, HOSE, 5.00	
3	94463GT	BELLOWS,MASTER CYLINDER	1
3-	34955GT	CLAMP, HOSE, 5.00	
3-	22672GT	CLAMP,HOSE,1.75	
4	63727GT	COVER, PROTECTIVE, OSCILLATE Oscillate Only	2
4-	34955GT	CLAMP, HOSE, 5.00 Oscillate Only	
4-	22672GT	CLAMP,HOSE,1.75 Oscillate Only	
5	34922GT	COVER,PROTECTIVE,STEERING	2
5-	34955GT	CLAMP, HOSE, 5.00	
5-	22672GT	CLAMP,HOSE,1.75	
6	94537GT	BELLOWS,CYLINDER,PLAT LEVEL	1
6-	22672GT	CLAMP,HOSE,1.75	1
6-	23405GT	10-32 NUTSERT	5
6-	94533GT	PLATE,BACKING BELLOWS	
6-	1271757GT	SCREW,PHPM,10-32X.50,ZAG	5
6-	1253185GT	WASHER,FLAT,#10,USS,ZAG	5
7	34505GT	COVER,PROTECTIVE,JIB CYLINDER S-65 Only	1
7-	30971GT	CLAMP,HOSE,3.00" S-65 Only	
7-	36208GT	CLAMP,HOSE,1.25*** S-65 Only	
8	T107895GT	DECAL,PROTECTOR,CLEAR	1



909.1 Hostile Environment, Engine Air Pre-Cleaners

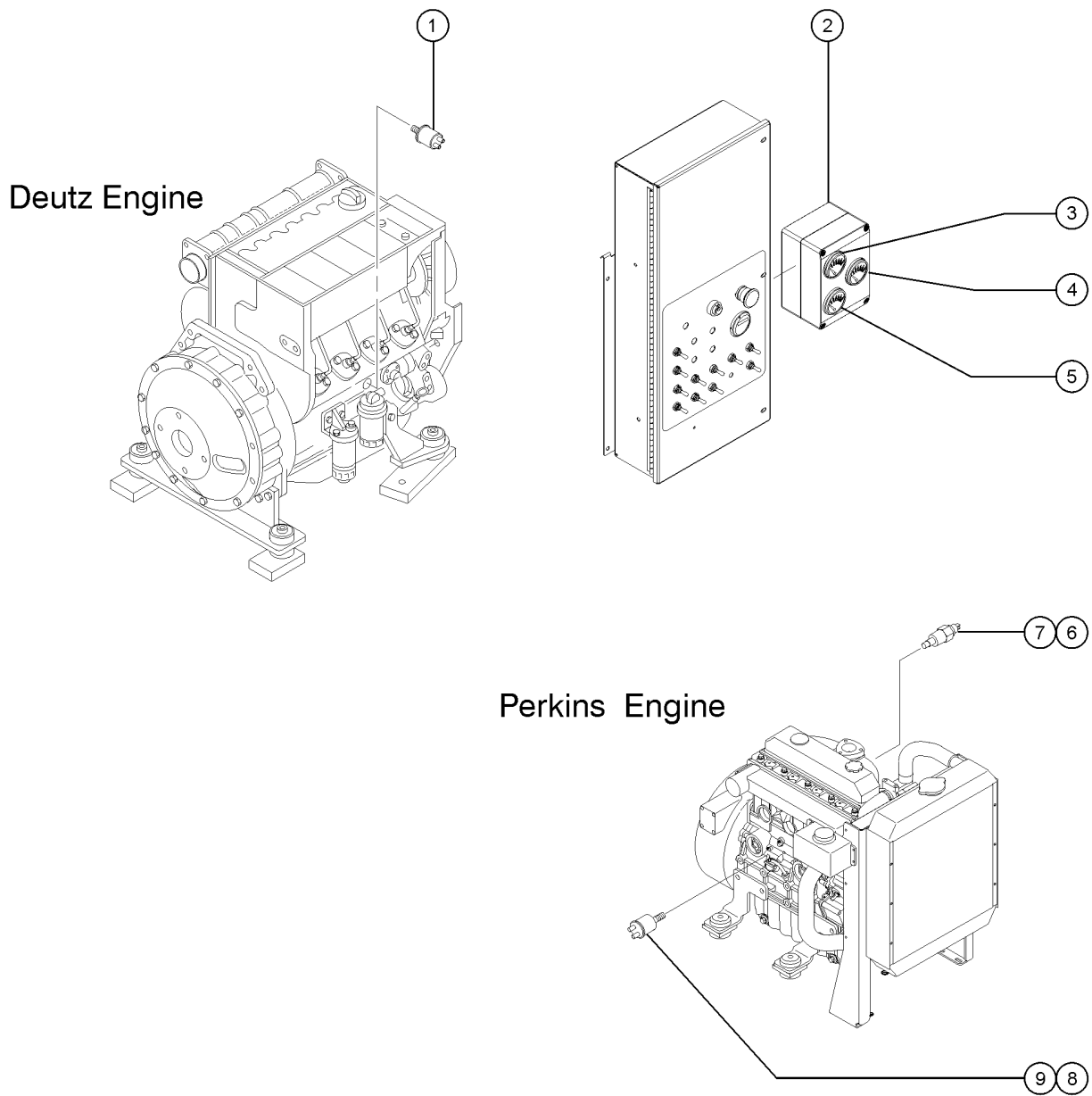


909.1 Hostile Environment, Engine Air Pre-Cleaners

<i>Item</i>	<i>Part No.</i>	<i>Description</i>	<i>Qty.</i>
1	45435GT	CLAMP,HOSE,2.50"	4
2	77891GT	TUBE,AIR INTAKE	1
3	34162-0400GT	HOSE,AIR INTAKE 2.5" I.D.	1
4	77887GT	WELDMENT,PRECLEANER BRACKET	
5	824090GT	SCREW,HHF,3/8-16X1,8,ZAG	
6	34164GT	ELBOW,90 DEGR,RUBBER,2.5"I.D.*	1
7	34959GT	PRECLEANER,AIR INTAKE***	1
8	70529GT	CAP,PLASTIC,2.5 ID	1



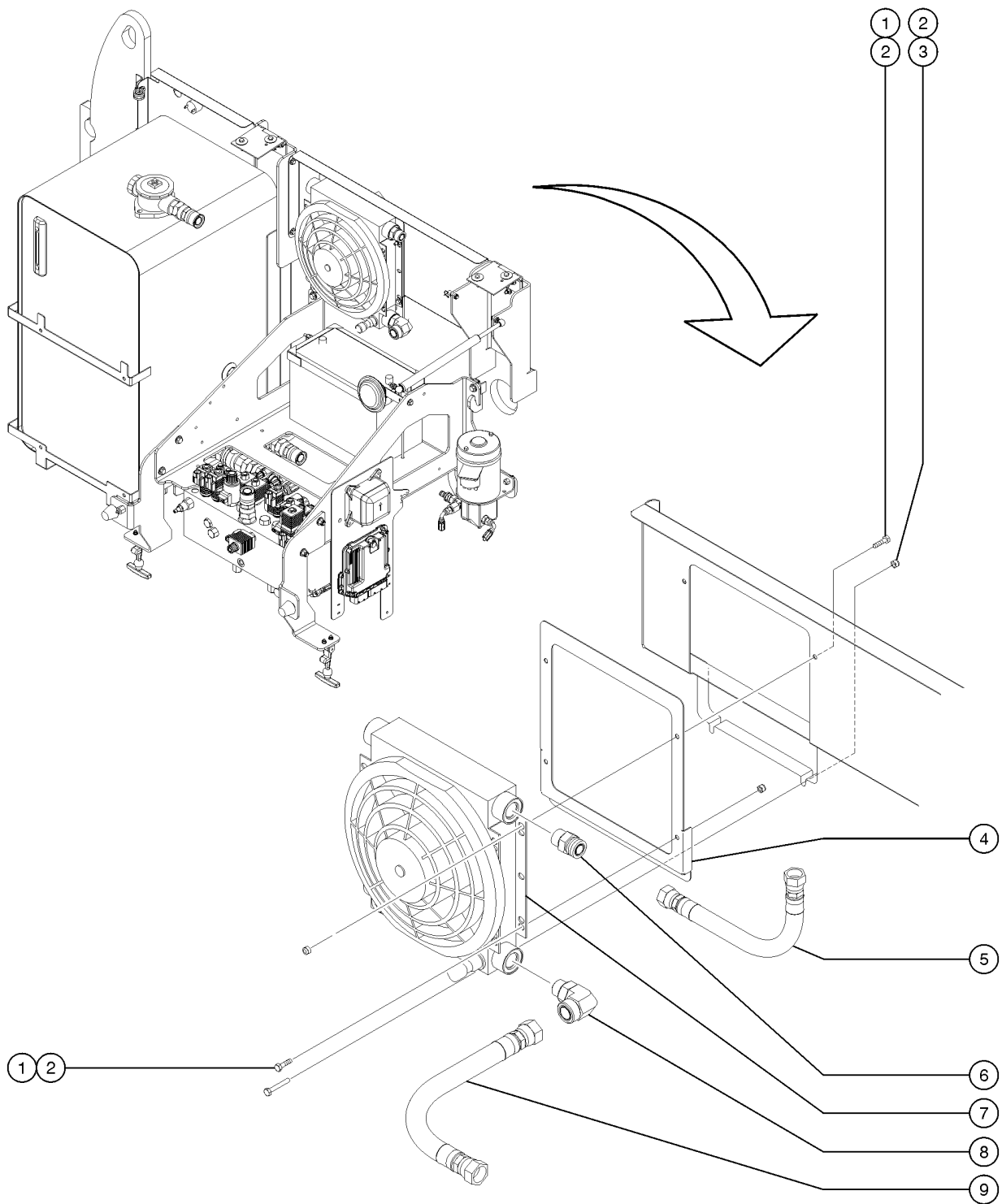
910.1 Gauge Option



Item	Part No.	Description	Qty.
A	101812GT	OPTION,FULL GAUGE,PERKINS	
B	101813GT	OPTION,FULL GAUGE,DEUTZ	
1	106033GT	ADAPTER,NPT 6-4	
2	101232GT	ENCLOSURE BOX,GAUGE OPT,DRILLD bracket not included	1
2-	139878GT	FORMING, GAUGE OPTION BRACKET not included with 101232, must order separately	1
3	53761-SGT	GAUGE,VOLTAGE	1
4	53758-SGT	GAUGE,OIL PRESSURE W/O SENDER	1
5	53759-SGT	GAUGE,WATER TEMP	1
		Perkins models only	
6	34058GT	SENDING UNIT,TMP,FRD,GM,PRK704	1
7	28607GT	ADAPTER,140139-8-6	1
8	30810GT	SENDING UNIT,OIL PRESSURE*** dual-terminal sender	1
9	71038GT	ADAPTER, 1/8 X 1/4 F3H6-S	1



911.1 Hydraulic Oil Cooler Option

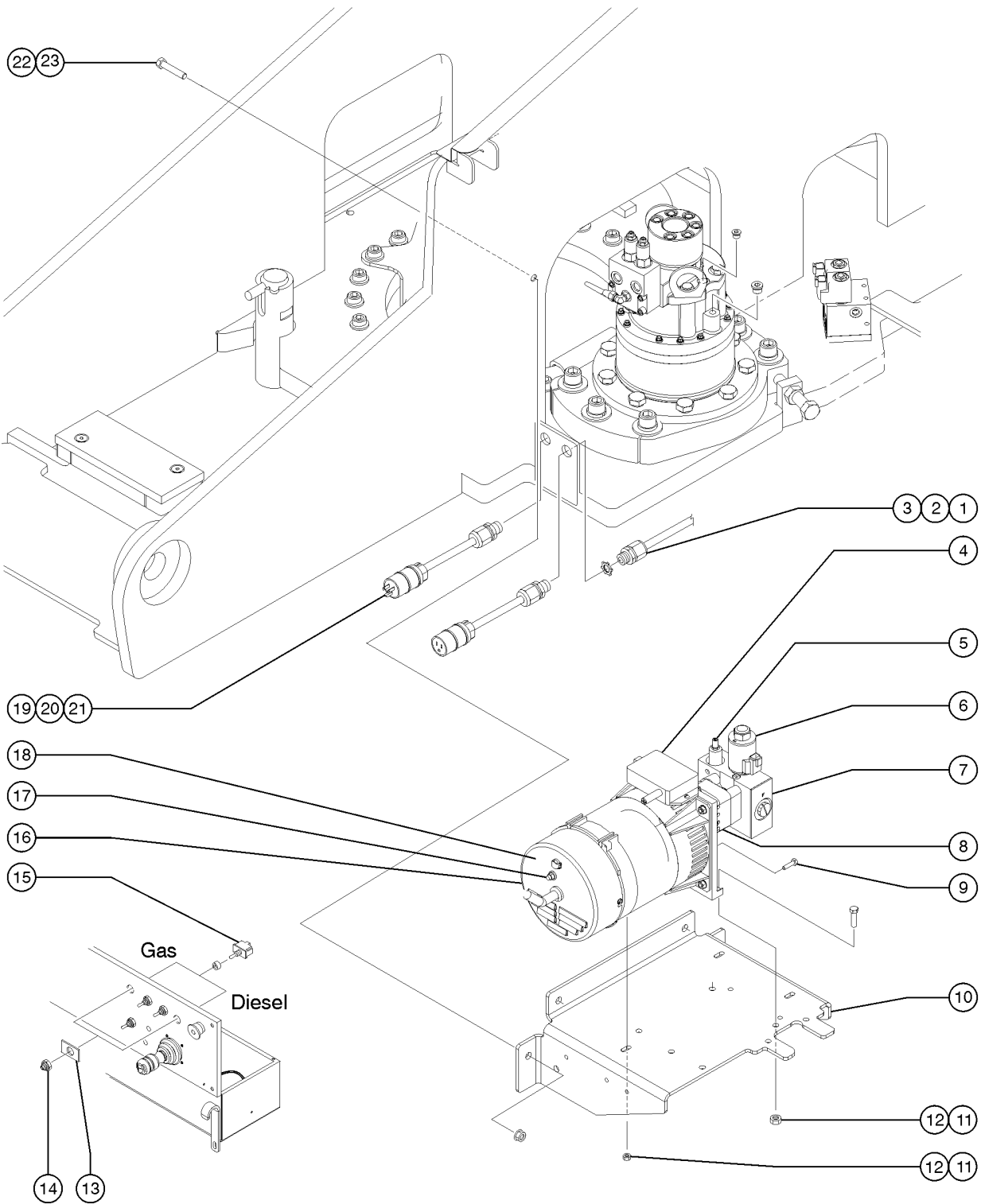


911.1 Hydraulic Oil Cooler Option

<i>Item</i>	<i>Part No.</i>	<i>Description</i>	<i>Qty.</i>
A	77769GT	OIL COOLER OPTION,S60	
1	6637GT	SCREW,HHC,1/4-20 X 1.75	2
1B	6888GT	SCREW,HHC,1/4-20 X 1	4
2	6091GT	NUT,NYLOCK,1/4-20	6
3	824081GT	SCREW, HHF, 1/4-20 X 1.5, 8, ZAG	2
4	77693GT	FORMING,OIL COOLER MOUNT	1
5	49150-2855GT	ASSY, HOSE, HYD, -12, 1750, STR, 90	1
6	48960GT	FITTING,CONN,520120-12***	1
7	71259GT	OIL COOLER W/FAN, 12VDC	1
8	48878GT	ELBOW,90D,520220-16-12	1
9	94205-3164GT	HOSE ASSY,3/4,45 FEM,STR MALE	1



912.1 Hydraulic Generator

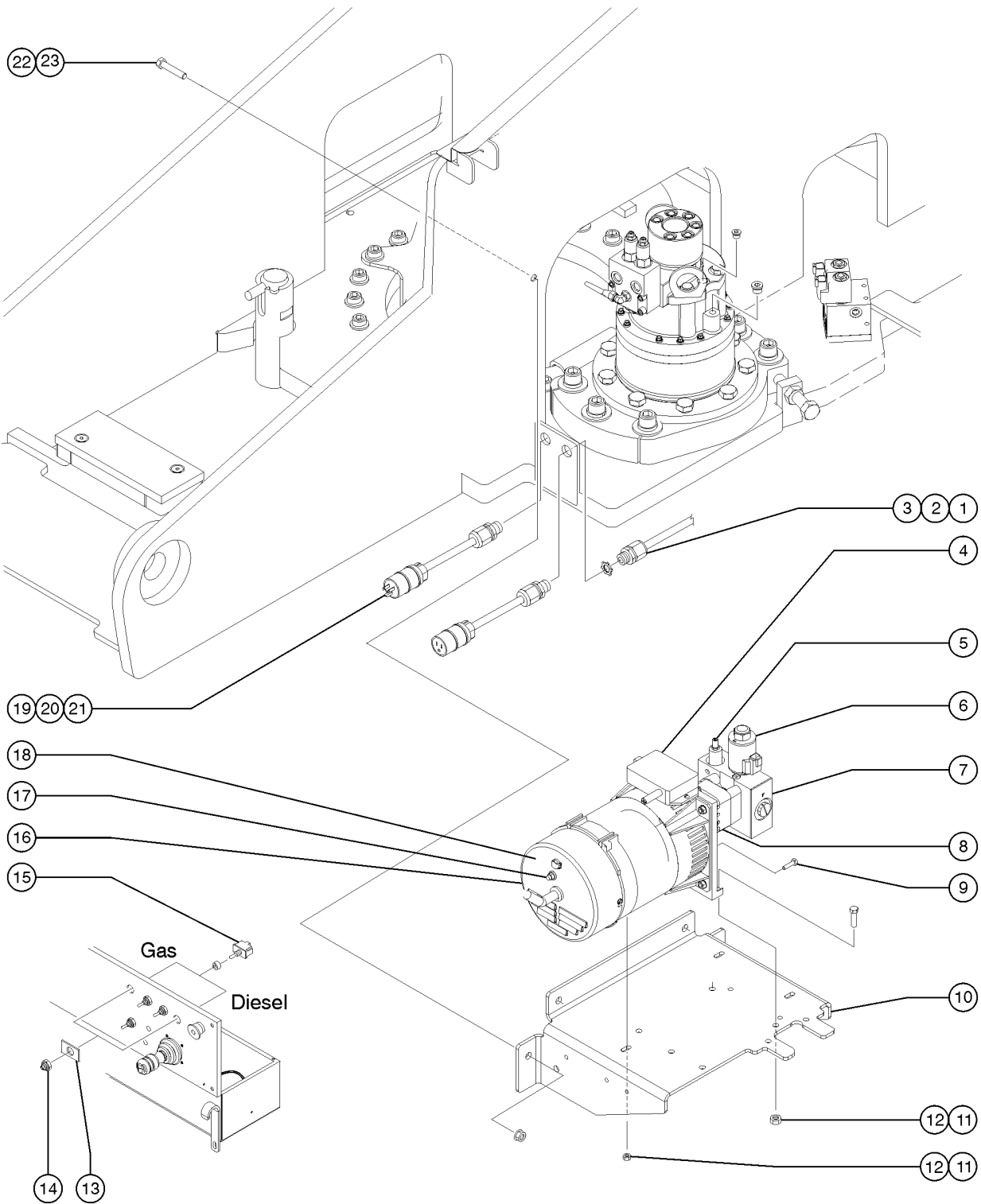


912.1 Hydraulic Generator

Item	Part No.	Description	Qty.
A	1271280GT	OPT, HYD GEN 7KW, 240V/50HZ only for European machines already equipped with an oil cooler	
B	147429GT	OPT, HYD GEN 3KW, 240V/50HZ only for European machines without an oil cooler	
1	6935GT	LOCKNUT,ELEC,1/2"	
2	7057GT	CONN. SQZ,1/2NPT .39-.56 MED	
3	119404GT	CONN,RECEP 120AC/15A DOMESTIC	1
4	1269693GT	CONTROL BOX,2KW,120/240V,50HZ (part of generators 139952 and 139954)	1
4B	147228GT	CONTROLLER BOX, 120/240V, 60H (part of generator 139953)	
5	147233GT	VALVE, RELIEF, GEN, 3.0kW	1
6	147232GT	12VDC PROPORTIONAL VALVE	1
7	147229GT	MANIFOLD ASSEMBLY, GEN (complete, includes items 5 and 6)	1
8	147230GT	207 HYD MOTOR ASSY, GEN	1
8-	147231GT	SEAL KIT, HYD MOTOR, GEN	
9	147242GT	SCREW, GEN ROTOR	4
10	106114GT	BRACKET,GENERATOR12.5 KW,PNTD*	1
10-	56361GT	CABLE TIE,BUTTON,BLACK,14.75LG	1
11	824028GT	NUT,TL FLG,5/16-18,G,ZAG	3
12	824066GT	SCREW,HHC,5/16-18X1.375,8,ZAG	2
13	133518GT	DECAL, PATCH, GEN,ALC-500	1
14	27246GT	BOOT,TOGGLE SWITCH,SHORT*	1
15	128204GT	SWITCH TOGGLE ASSY SPDT 2P MNT	1
16	139952GT	GENERATOR,3kW,120V/50Hz (complete, includes items 4-9 and 17-18)	1
16B	139953GT	GENERATOR, 3kW, 120V/60Hz (complete, includes items 4-9 and 17-18)	1
16B-	147239GT	BREAKER, 25 AMP, GEN	
16B-	147240GT	CAPACITOR 16 F, GEN	
16C	139954GT	GENERATOR,3kW,240V/50Hz (complete, includes items 4-9 and 17-18)	1
17	147239GT	BREAKER, 25 AMP, GEN (part of generators 139952 and 139953)	1
17B	147258GT	BREAKER,15 AMP,GEN (part of generator 139954)	
18	147241GT	COVER, END, GEN, 120V (part of generators 139952 and 139953)	1



912.1 Hydraulic Generator

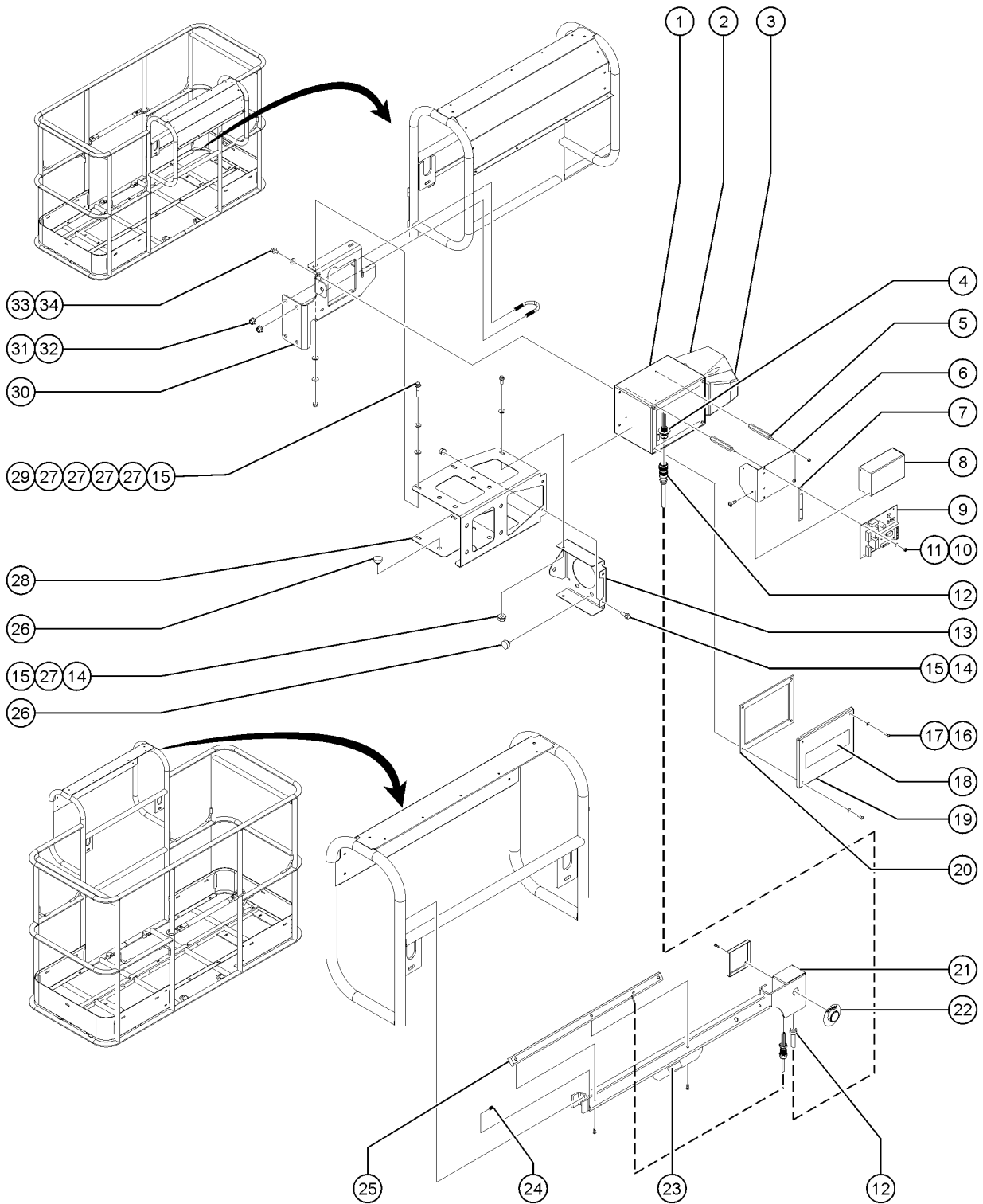


912.1 Hydraulic Generator

<i>Item</i>	<i>Part No.</i>	<i>Description</i>	<i>Qty.</i>
18B	147262GT	COVER, END, GENERATOR, 240V (part of generator 139954)	
19	119403GT	CONN,PLUG 120 AC/15A DOMESTIC	1
20	61278GT	CONN. SQZ,1/2NPT .56-.63.	1
21	6935GT	LOCKNUT,ELEC,1/2"	1
22	1256172GT	SCREW,HHF,1/2-13X 2,8,ZAG	4
23	1251997GT	NUT,TL FLG,1/2-13,G,ZAG	4



913.1 Operators Protection Alarm (to January 2017)

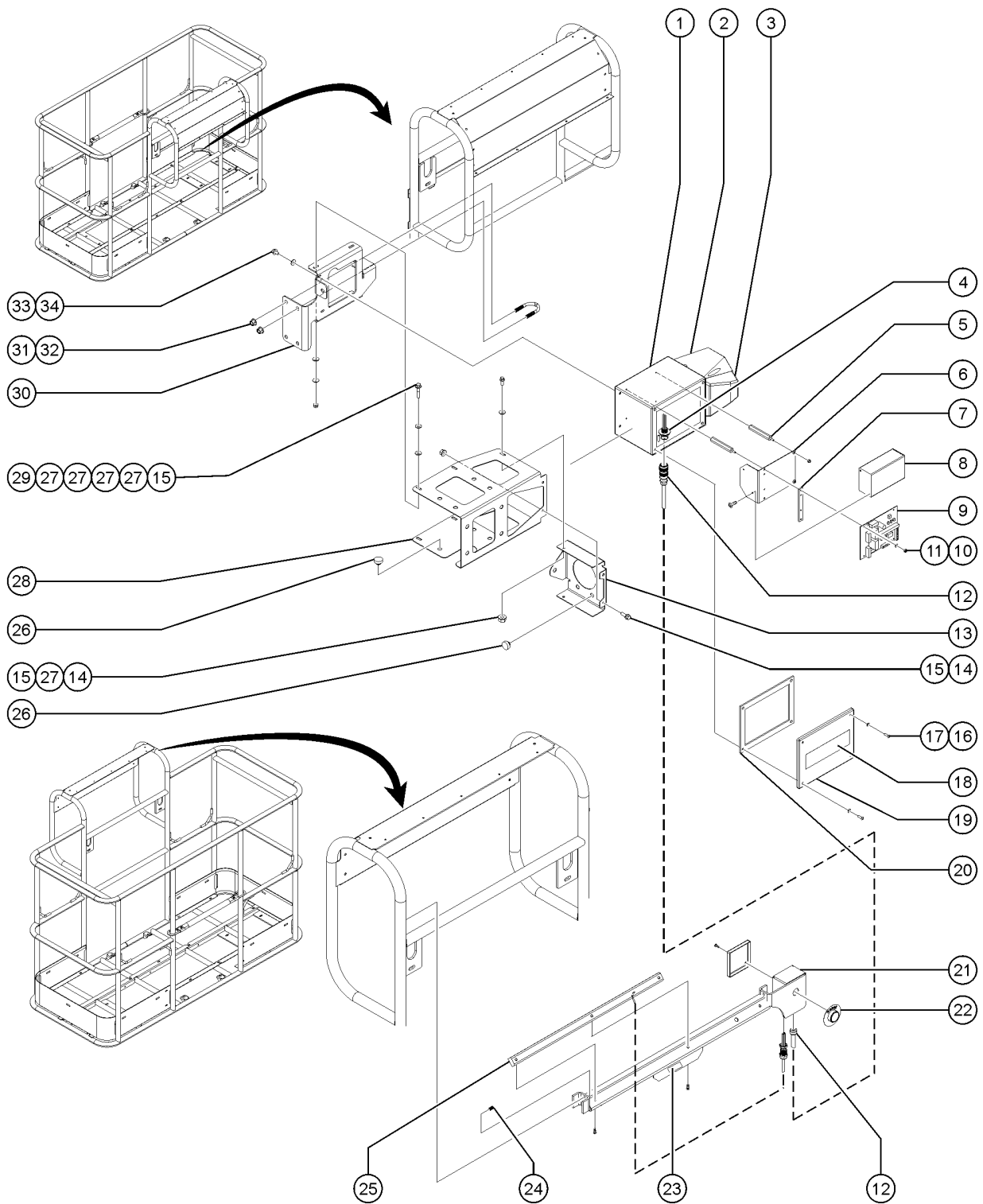


913.1 Operators Protection Alarm (to January 2017)

Item	Part No.	Description	Qty.
A	1275537GT	ASSEMBLY, OPA PROTECTION CAGE	1
1	1255018GT	BASE ENCLOSURE,RED,OPA	1
2	1255021GT	SOUNDER,MIDI,OPA	1
3	1255037GT	SOUNDER LENS, OPA, BLUE	1
		(standard lens fitted to OPA)	
3B	1270116GT	SOUNDER LENS, OPA, RED	1
3C	1270117GT	SOUNDER LENS, OPA, AMBER	1
3D	1270118GT	SOUNDER LENS, OPA, CLEAR	1
4	1255033GT	HARN,PIGTAIL,TAPESWITCH,OPA	1
5	1255028GT	STAND OFF,CONTROL UNIT	4
6	1255024GT	BRACKET,CONTROL UNIT	1
7	1255025GT	SPACER,HEAT SINK	1
8	1255023GT	ASSY,MODULE,CONTROL UNIT,OPA	1
9	1255022GT	MODULE,CONTROL UNIT,PCB,OPA	1
10	1255067GT	NUT,M4 NYLOCK	4
11	1255066GT	WASHER,M4 NYLON	4
12	1255035GT	ASSEMBLY,CABLE,TAPESWITCH	1
13	1275539GT	FORMING, OPA CAP	1
14	824078GT	SCREW,HHF,1/4-20X.75,8,ZAG	5
15	824027GT	NUT,TL FLG,1/4-20,G,ZAG	9
16	1255038GT	SCREW,M5X16 BHD	4
17	1255027GT	WASHER,M5 NYLON	4
18	1255890GT	DECAL,COSMETIC,GENIE	1
19	1255020GT	LID ENCLOSURE,RED,OPA	1
20	1255019GT	GASKET,ENCLOSURE	1
21	1255029GT	ASSEMBLY,TAPESWITCH	1
		(6/8' platforms) (includes j-box and fasteners)	
22	1255036GT	ASSEMBLY RESET SWITCH	1
23	1255889GT	DECAL,SYMBOL-READ THE MANUAL	1
24	1255068GT	SCREW,M6X8	2



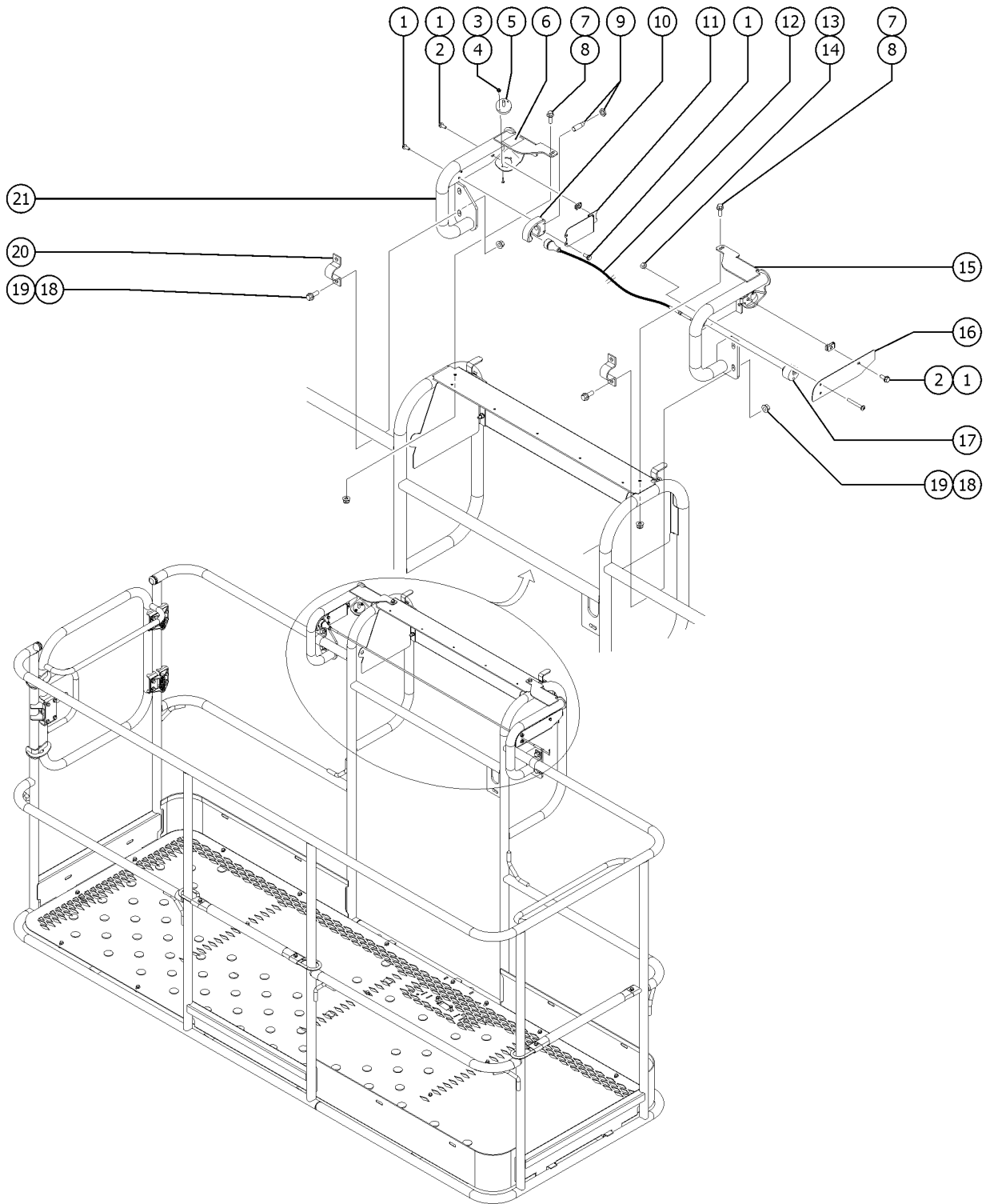
913.1 Operators Protection Alarm (to January 2017)



913.1 Operators Protection Alarm (to January 2017)

<i>Item</i>	<i>Part No.</i>	<i>Description</i>	<i>Qty.</i>
25	1255047GT	SENSOR,RUBBER EDGE (6'8" platforms)	1
26	43392GT	BUMPER,BATTERY BOX & RAILS	17
27	824113GT	WASHER,FLAT,1/4,USS,ZAG	19
28	1275538GT	FORMING, OPA CAGE	1
29	824080GT	SCREW, HHF, 1/4-20 X 1.25, 8, ZAG	4
30	1275540GT	FORMING, OPA, BRACKET	1
30-	1271945GT	KIT, OPA WELDER BRACKET Complete assembly bracket with fasteners and U-Bolt 1251600; from SN 35544	
31	824029GT	NUT,TL FLG,3/8-16,G,ZAG	4
32	1251600GT	U-BOLT, FLATTENED, Ø1.5 X 3/8 UNC,ZAG	2
33	237238GT	SCREW,HHF,M6-1.0X12,DIN6921,10	2
34	1257389GT	WASHER,FLAT,M6X18X1.6,DIN9021,	2

914.1 Lift Guard Contact Alarm Option (from January 2017)

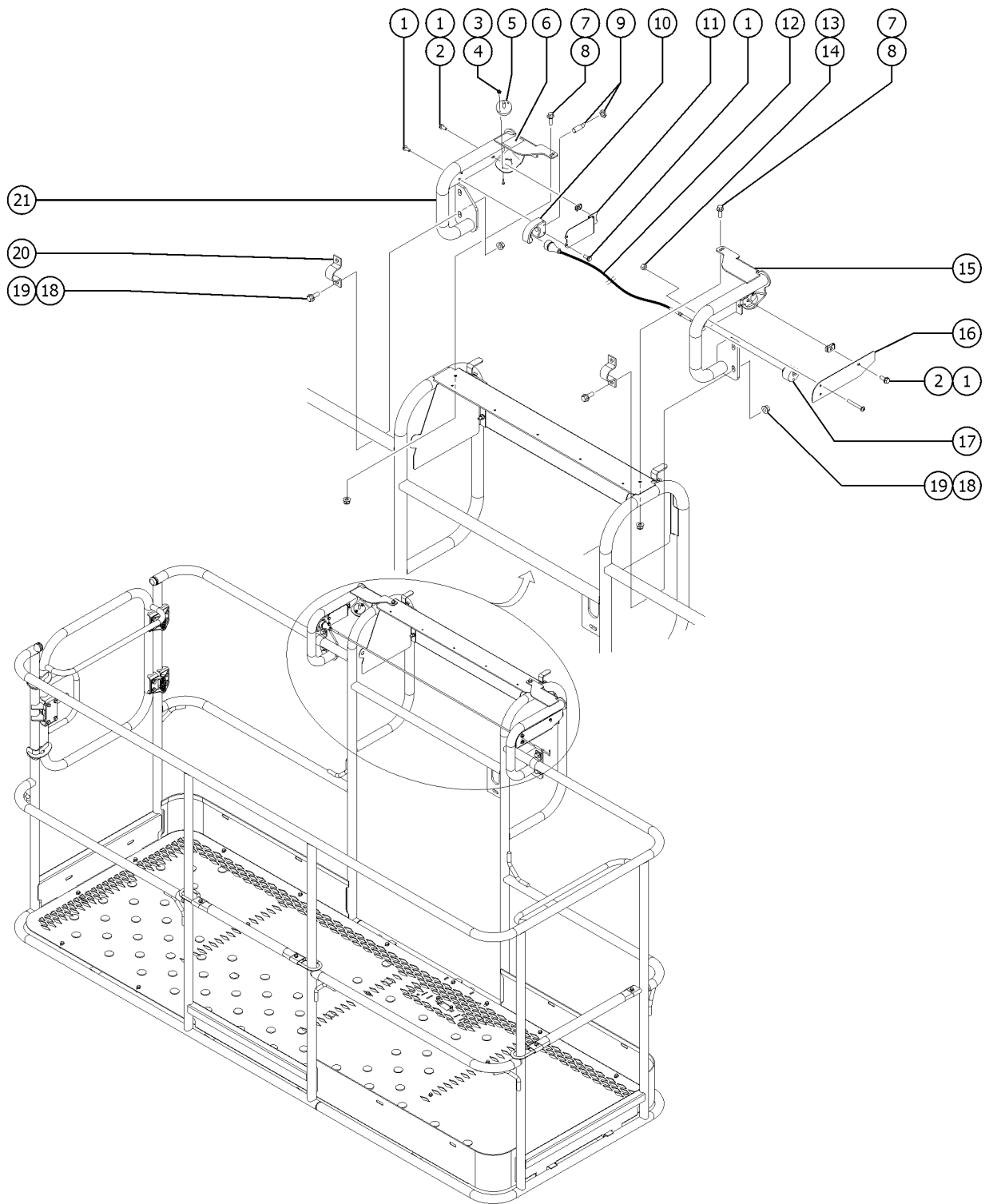


914.1 Lift Guard Contact Alarm Option (from January 2017)

Item	Part No.	Description	Qty.
1	1264934GT	SCREW,HHF,10-24X.5	7
2	73575GT	SPRING CLIP,10-24,.025-.125X.468,ZAG	2
3	12344GT	NUT,NYLOCK,6-32	4
4	1256859GT	SCREW,PHPM,6-32X7/8,ZAG	4
5	1278111GT	ASSEMBLY, LIGHT, CONTACT ALARM	2
5B	1285850GT	ASSEMBLY,AMBER LIGHTS,CONTACT	
6	1278542GT	DECAL, INSTRUCTION, CONTACT ALARM	1
7	824078GT	SCREW,HHF,1/4-20X.75,8,ZAG	2
8	1277924GT	NUT,NYLOCK FLG,1/4-20,F,ZAG	2
9	1278119GT	ASSEMBLY, SENSOR, PROX, CONTACT ALARM	1
10	1278433GT	ASSY SENSOR W/HOUSING (Includes holder item 1277877 and sensor part 1278119)	1
10-	1277877GT	HOLDER, SENSOR	
11	1277873GT	FORMING, SENSOR HOLDER	1
12	1278416GT	ASSEMBLY,CONTACT ALARM CABLE, LARGE	1
12-	1261184GT	NUT,1/4-20,8,ZAG (part of assembly 1278416)	
12-	1278124GT	MAGNET, 1/4-20, 15 LB. (part of assembly 1278416)	
12-	1278368GT	GRIP, CABLE (part of assembly 1278416)	
12-	1278458GT	CONTACT ALARM WIRE ASSY, LARGE (part of assembly 1278416)	
13	1274168GT	NUT,NYLOCK,10-32,A,ZAG	2
14	824216GT	SCREW, PHPM, 10-32 X 1.5, ZAG	2
15	1278138GT	WELDMENT, RIGHT CONTACT ALARM, LARGE	1
15-	1277924GT	NUT,NYLOCK FLG,1/4-20,F,ZAG	
15-	824037GT	NUT, HH JAM, 1/4-20, A, ZAG	
16	1277875GT	PLATE, CABLE AND WIRE COVER	1
17	1277876GT	GUIDE, CABLE	1
18	1274322GT	NUT,NYLOCK FLG,3/8-16,F,ZAG	4
19	824090GT	SCREW,HHF,3/8-16X1,8,ZAG	4
20	1278363GT	CLAMP, 1.25 INCH TUBE	2



914.1 Lift Guard Contact Alarm Option (from January 2017)

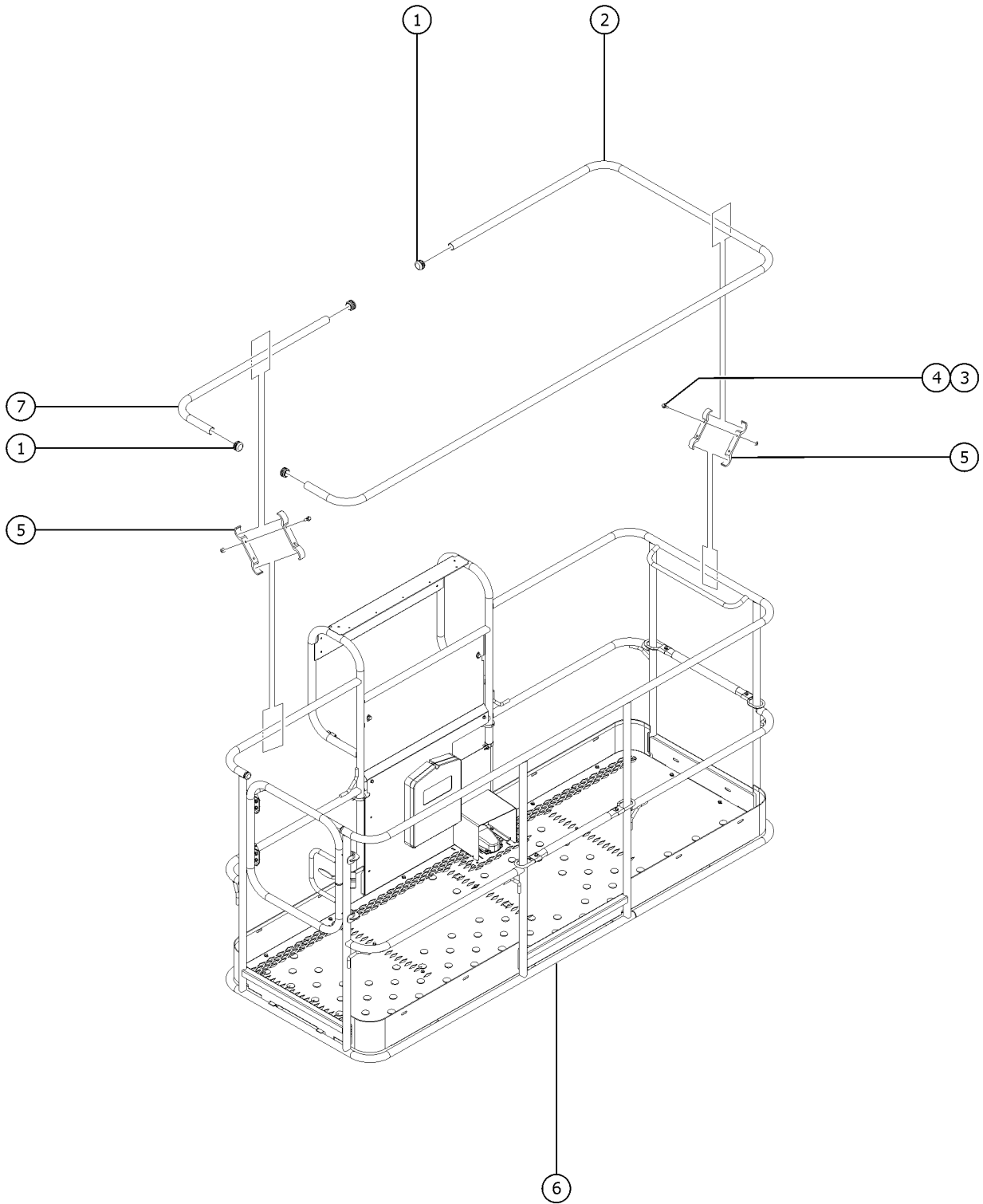


914.1 Lift Guard Contact Alarm Option (from January 2017)

<i>Item</i>	<i>Part No.</i>	<i>Description</i>	<i>Qty.</i>
21	1278144GT	WELDMENT, LEFT CONTACT ALARM, LARGE	1



915.1 Platform Options

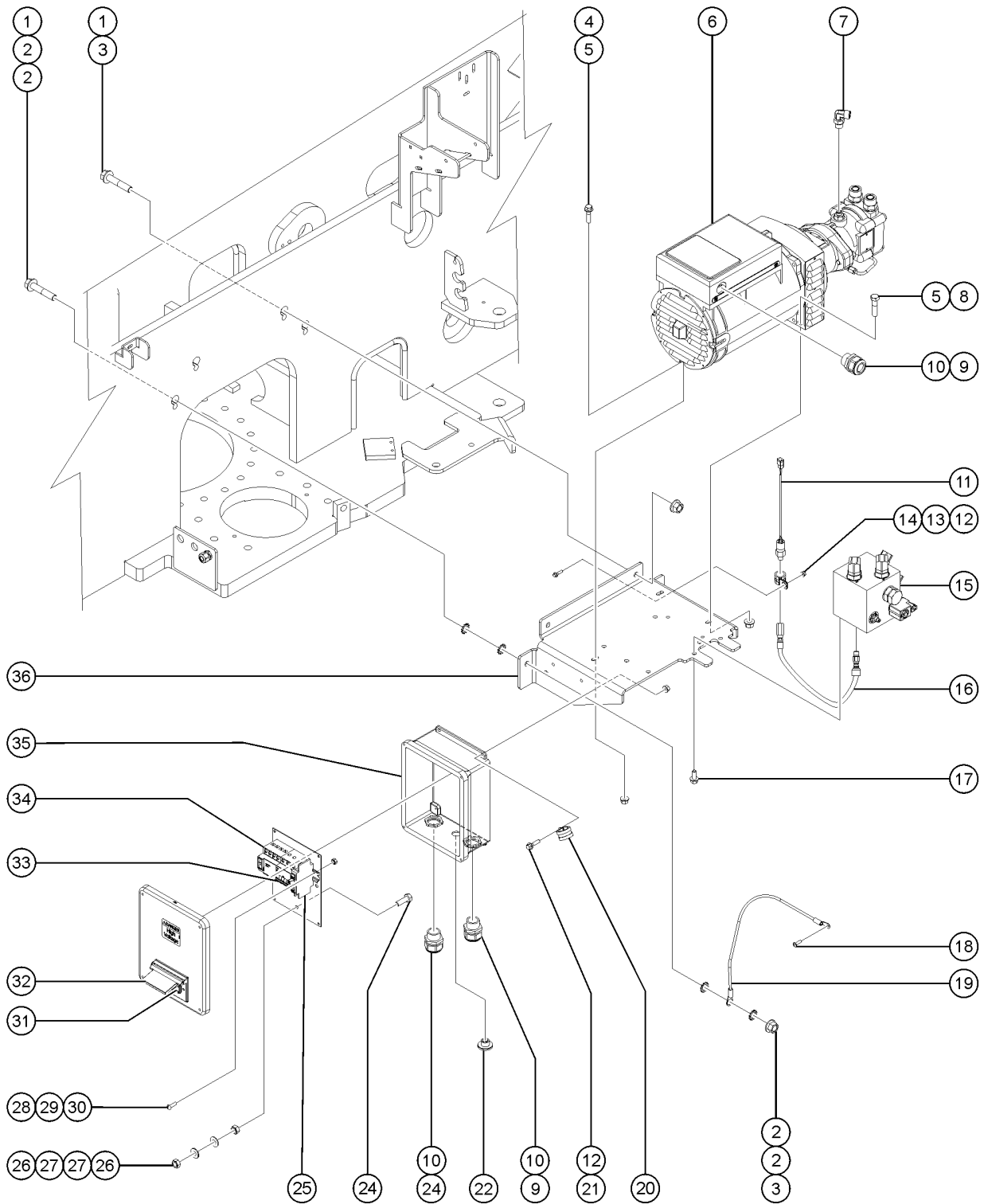


915.1 Platform Options

<i>Item</i>	<i>Part No.</i>	<i>Description</i>	<i>Qty.</i>
A	1291495GT	KIT, AUX RAIL, 6' PLAT, SIDE GATE (6 foot platform)	
B	1291496GT	KIT, AUX RAIL, 8' PLAT, SIDE GATE (8 foot platform)	
1	55753GT	BUMPER, PLASTIC, 1.25 O.D.	4
2	1270570GT	AUX RAIL, 6' PLAT, SIDE ENTRY (6 foot platform)	1
3	824079GT	SCREW,HHF,1/4-20X1,8,ZAG (6 foot platform)	22
4	824027GT	NUT,TL FLG,1/4-20,G,ZAG (6 foot platform)	22
5	122073GT	SUPPORT, RAILING (6 foot platform)	22
6		Ref.WELDMENT, PLATFORM (refer to 701.1)	1
7	1270571GT	AUX RAIL, 6' PLAT, SIDE ENTRY (6 foot platform)	1



916.1 Welder Ready Option, Chassis Components

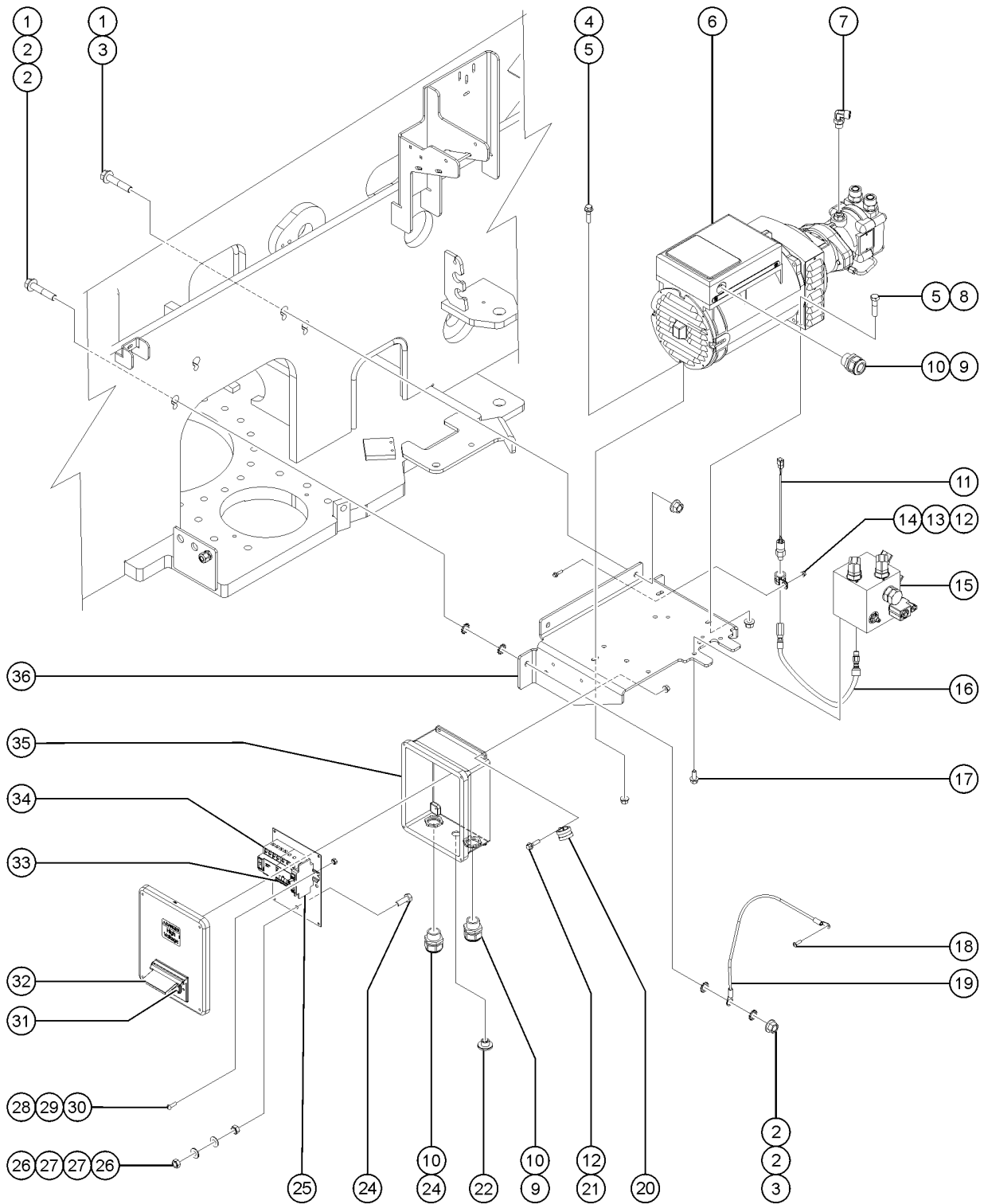


916.1 Welder Ready Option, Chassis Components

Item	Part No.	Description	Qty.
A	217439GT	ASSEMBLY,WELDER,TURNTABLE,S60/	1
B	1278494GT	J-BOX ASSEMBLY,8X10	1
C	228320GT	KIT,WIRE,12.5KW WELDER (to SN S60H-37256)	1
D	1280705GT	ASSEMBLY, CABLE, GEN TO J-BOX, S60/65 (from SN S60H-37257)	1
E	106203GT	CLAMP,LINK,WELD CABLE/HOSE	
F	106272GT	BIT,3/16,HEX SOCKET,SECURITY	
G	106521GT	GROUNDING CABLE ASSEMBLY,165"	
H	106522GT	GROUNDING CABLE ASSEMBLY,16"	
I	106523GT	GROUNDING CABLE ASSEMBLY,36"***	
J	106607GT	HARNESS,LINCOLN WELDER***	
K	119056GT	CONN PLUG 2 WAY ENDCAP DT	
L	128050GT	CLAMP, HYD, WELD, AIR, OPT	
M	1276694GT	KIT, RETROFIT, WELDGEN, MAG BREAKER	
1	1255802GT	SCREW,HHF,1/2-13X2.5,8,ZAG	4
2	8887GT	WASHER,STAR,EXTERNAL,,5	4
3	1251997GT	NUT,TL FLG,1/2-13,G,ZAG	4
4	824066GT	SCREW,HHC,5/16-18X1.375,8,ZAG	1
5	824028GT	NUT,TL FLG,5/16-18,G,ZAG	3
6		Ref. GENERATOR,HYDRA,25CC,208V*** (refer to 918.1)	1
7	48932GT	FITTING,ELBOW,90D,520220-8***	1
8	824087GT	SCREW,HHF,5/16-18X1.25,8,ZAG	2
9	20776GT	CABLE SQUEEZE CONN.	2
10	18665GT	LOCKNUT,ELECTRIC,1" NPT	3
11	146284GT	SWITCH,PRESS,#4NPT,200PSIF Location changed from SN S60H-37257, for first time replacement, order service kit 1271398GT.	1
11B	1271398GT	KIT,GEN. PRESSURE SWITCH includes pressure switch, hose, fittings and installation instructions	
12	824027GT	NUT,TL FLG,1/4-20,G,ZAG	
13	1257993GT	CLAMP, .875, #14 X .531, RUB CUSH	1
14	824078GT	SCREW,HHF,1/4-20X.75,8,ZAG	



916.1 Welder Ready Option, Chassis Components

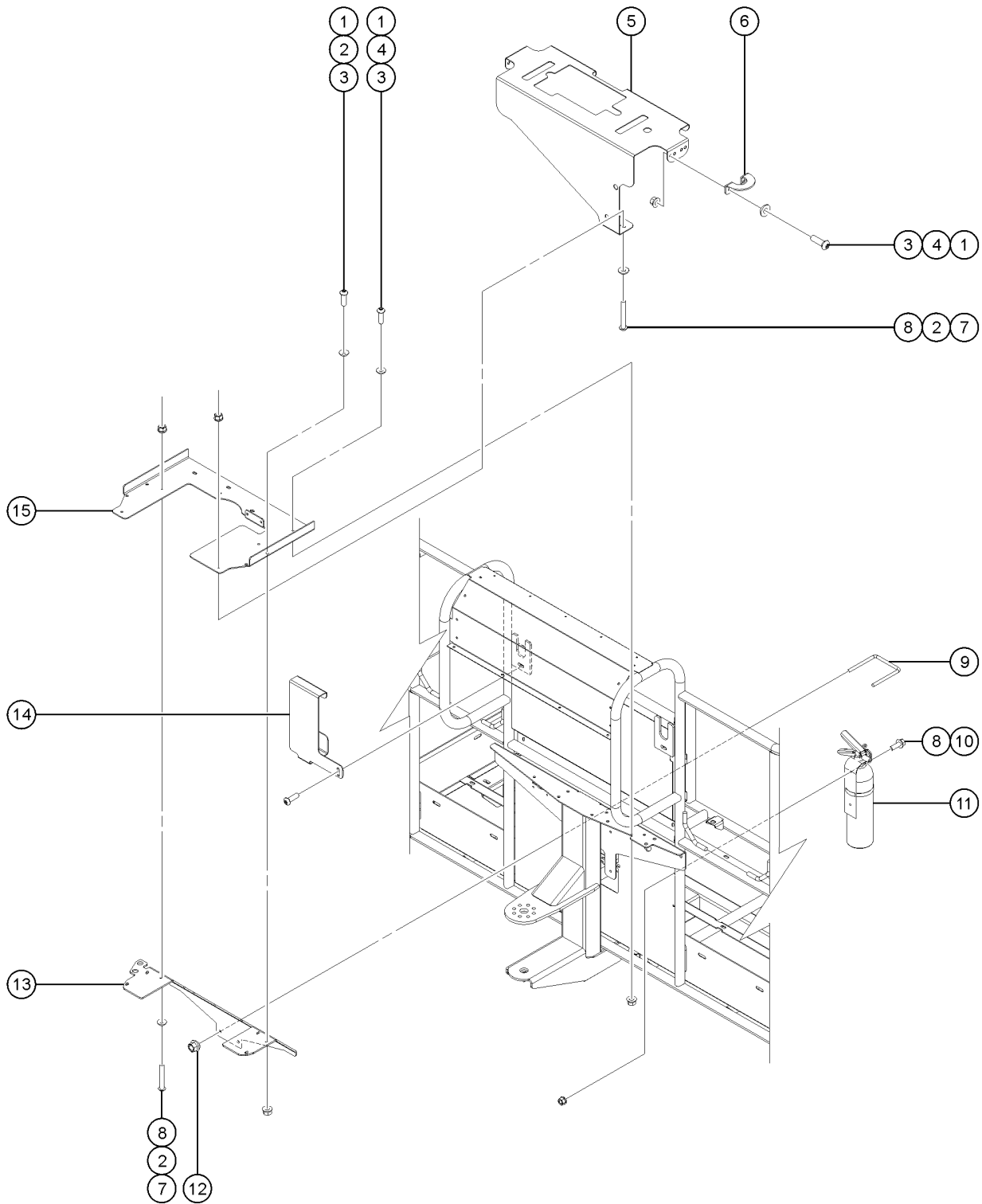


916.1 Welder Ready Option, Chassis Components

Item	Part No.	Description	Qty.
15		Ref. MANIFOLD,DRIVE OIL DIVERTER (refer to 919.1)	1
16	1271313-2200GT	ASSY, HOSE, HYD, -4, 3250, STR, STR	
17	824085GT	SCREW,HHF,5/16-18X.75,8,ZAG	2
18	1257227GT	SCREW,PHPM,10-32X.625,ZAG	1
19	106520GT	GROUNDING CABLE ASSEMBLY,18"	1
20	18666GT	CLAMP,1.00,#16 X 1/4,RUB CUSH	1
21	824079GT	SCREW,HHF,1/4-20X1,8,ZAG	2
22	106495GT	PLUG,1/2" HUBBLE	1
23	106077GT	CABLE SQUEEZE CONN .63-.75	1
24	49379GT	SCREW,HHC,M8 X 1.25 X 25	1
25	106073GT	CIRCUIT BREAKER,20A,SINGLE PH	1
26	22571GT	NUT,HEX,M8 X 1.25	2
27	6638GT	WASHER,FLAT,USS,1/4"Y	2
28	54365GT	SCREW,PHIL,PHM,10-32 X .5,SSTL	2
29	228332GT	DIN RAIL, 6.50"	1
30	6178GT	NUT,NYLOCK,10-32	2
31	80543GT	RECEPTACLE, 120VAC, 20A, GFCI	1
32	74006GT	COVER,GFCI,HORIZONTAL,WEATHER	1
32-	12344GT	NUT,NYLOCK,6-32	
33	1276986GT	CIRCUIT BREAKER,MAGTRIP,3PH,40A	1
34	824617GT	CIRCUIT BREAKER,GFCI,3PH,63A,3	1
35	1278471GT	JBOX, CIRCUIT BREAKERS, 8X10	1
35-	1276672GT	BOOT, ENVIRO, 3PH CIRCUIT BREAKER	
36	106114PGT	BRACKET,GENERATOR 12.5 KW,PNTD	1



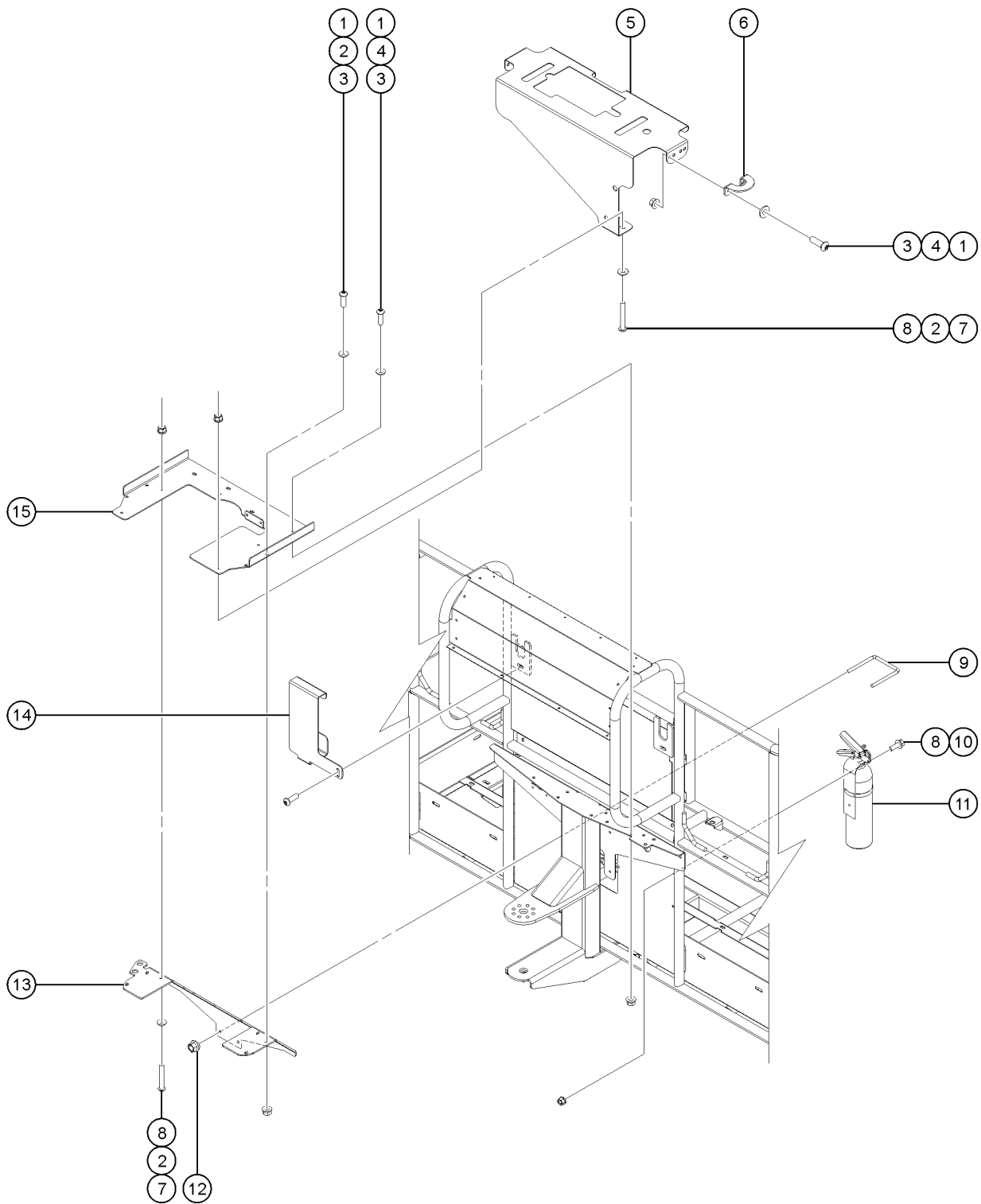
917.1 Welder Ready Option, Platform Components



917.1 Welder Ready Option, Platform Components

Item	Part No.	Description	Qty.
A	217440GT	ASSEMBLY,WELDER,PLATFORM,S60/6	1
B	228320GT	KIT,WIRE,12.5KW WELDER	1
C	228321GT	KIT,WIRE,12.5KW WELDER	1
D	106273GT	BIT,T-27,TORX SOCKET,SECURITY	1
E	214620GT	SOCKET,3P,30A,4 WIRE, FEM	1
F	214621GT	SOCKET, BOOT, 3P, 30A, 4 WIRE	1
G	214622GT	PLUG, BOOT, 3P, 30A, 4 WIRE	1
H	106607GT	HARNESS,LINCOLN WELDER***	1
I	110276GT	FIRE SLEEVE, 1.25"	16
J	110276GT	FIRE SLEEVE, 1.25"	23
K	110276GT	FIRE SLEEVE, 1.25"	28
1	101525GT	WELDER,INVERTEC V275-S shown	1
1-	106183GT	FUSE,.6AMP,250V,WELDER,V275S	
1-	106275GT	KIT,WELD LEADS ASSY,V275S	
1-	214623GT	PLUG, 3P,30A, 4 WIRE, MALE	
2	128322GT	SCREW,5/16-18X1.00,SECURITY TO	10
2-	128323GT	BIT,TORX SOCKET,SECURITY	
3	824113GT	WASHER,FLAT,1/4,USS,ZAG	5
4	824028GT	NUT,TL FLG,5/16-18,G,ZAG	10
5	825358GT	WASHER,FLAT,5/16,USS,ZAG	9
6	101547PGT	BRACKET,WELDER SUPPORT,PNT	1
7	217366GT	BRACKET,WELDER TOP	2
8	106141GT	SCREW,SECURITY,1/4-20 X 1.75LG	4
9	824027GT	NUT,TL FLG,1/4-20,G,ZAG	6
10	106044GT	U-BOLT,3/8-16X4X4.63X3.00	1
11	824078GT	SCREW,HHF,1/4-20X.75,8,ZAG	2
12	88406GT	FIRE EXTINGUISHER includes mounting strap	1
13	824029GT	NUT,TL FLG,3/8-16,G,ZAG	2

917.1 Welder Ready Option, Platform Components

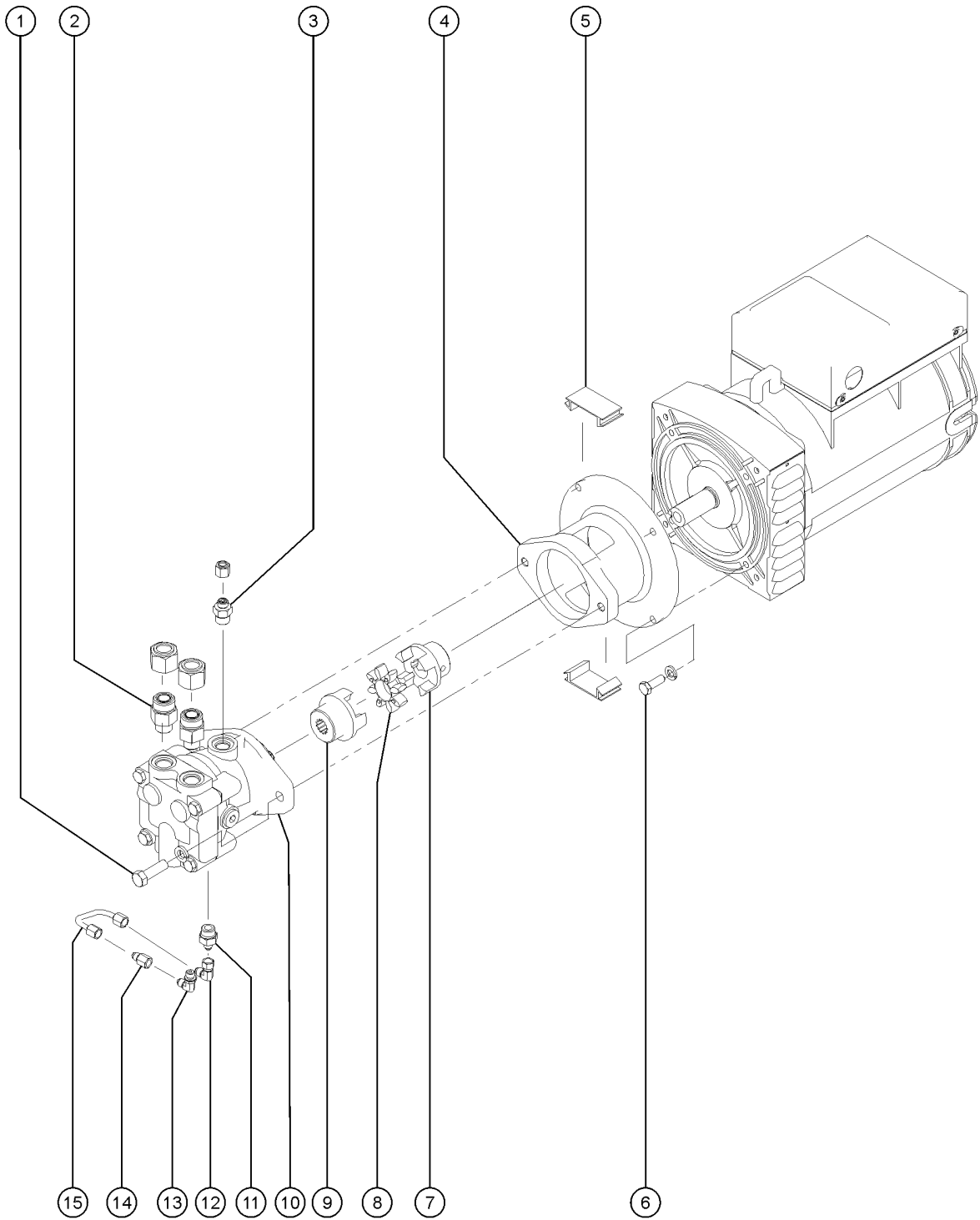


917.1 Welder Ready Option, Platform Components

<i>Item</i>	<i>Part No.</i>	<i>Description</i>	<i>Qty.</i>
14	101701PGT	BRACKET,WELDER MNT SUPPORT,PNT	1
15	106204PGT	BRACKET,V275S WELD LEADS	1
16	106109PGT	BRACKET,WELDER COVER,PNTD	1



918.1 Welder Ready Option, Generator Components

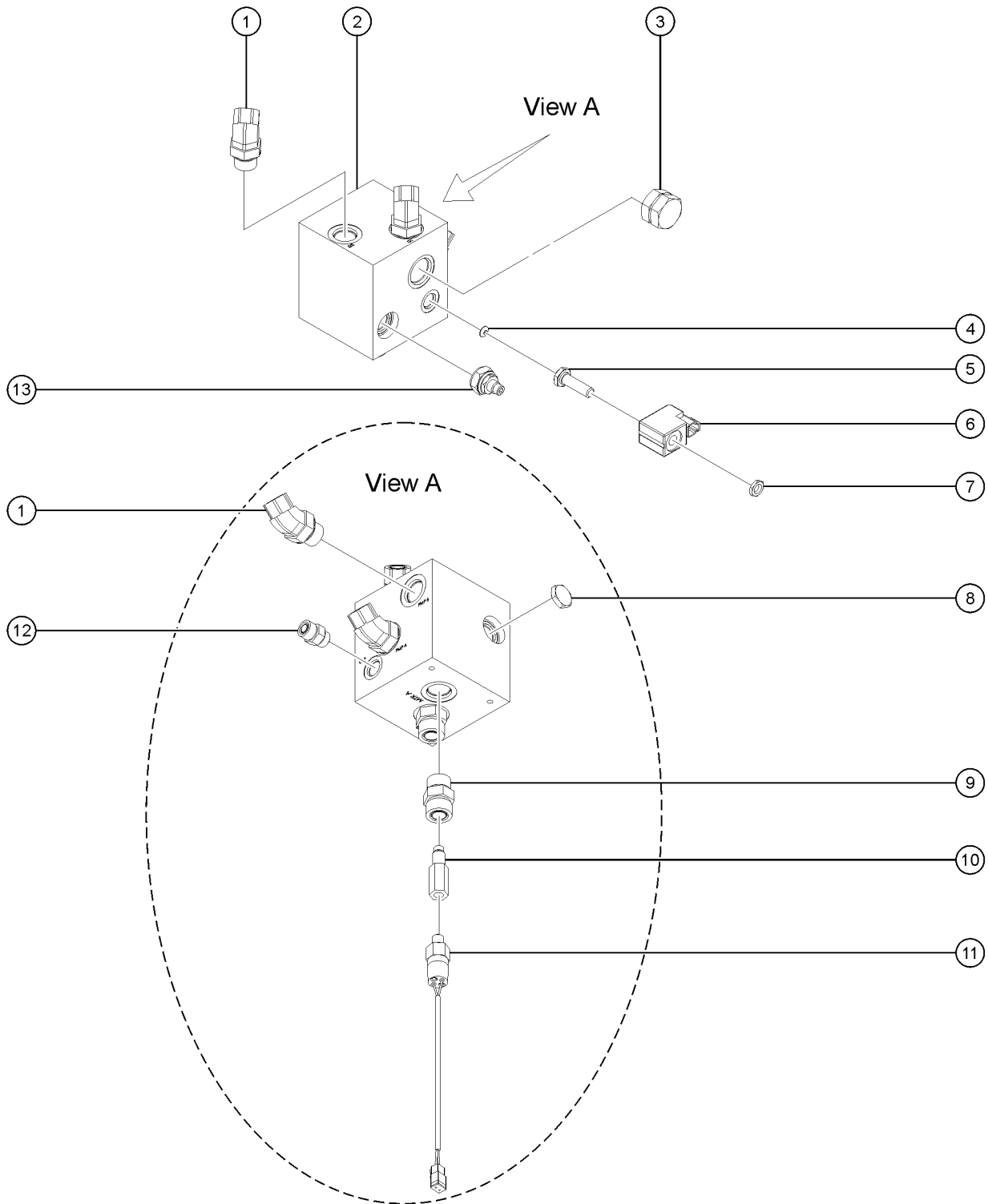


918.1 Welder Ready Option, Generator Components

Item	Part No.	Description	Qty.
A	139367GT	GENERATOR,HYDRA,25CC,208V***	1
A-	1273323GT	ALTERNATOR for 139367	
A-	32675GT	SEAL KIT,SUNSTRAND	
A-	139919GT	FITTING,ORIFICE,.047	
1	826171GT	SCREW,HHF,1/2-13X1.75,8,ZAG	2
2	48975GT	CONN,520120-12-10	2
3	48914GT	CONN,520120-4-8	1
4		Ref: Hydraulic Motor Mount consult factory	1
5		MOUNT COVER consult factory	2
6	232874GT	SCREW,HHF,M10-1.5X30,DIN6921,10.9,ZAB	4
7	147404GT	DRIVE COUPLING,KEYED	1
8	58631GT	COUPLER,INSERT	1
9	147405GT	DRIVE COUPLING, 13 TOOTH	1
10	33432GT	MOTOR,HYD,25CC FIXED*** Sauer Motor for Harrison Generator; Consult Factory	1
10-	147418GT	ASSY,BLEED LINE (139367)	
11	39879GT	CONNECTOR,070120-4-8	1
12	87246GT	ELBOW,SWIVEL NUT 90DEG,-4	1
13	13921GT	ELBOW,070220-4-4	1
14	139919GT	FITTING,ORIFICE,.047	1
15	147418GT	ASSY,BLEED LINE (139367)	1



919.1 Welder Ready Option, Manifold Components

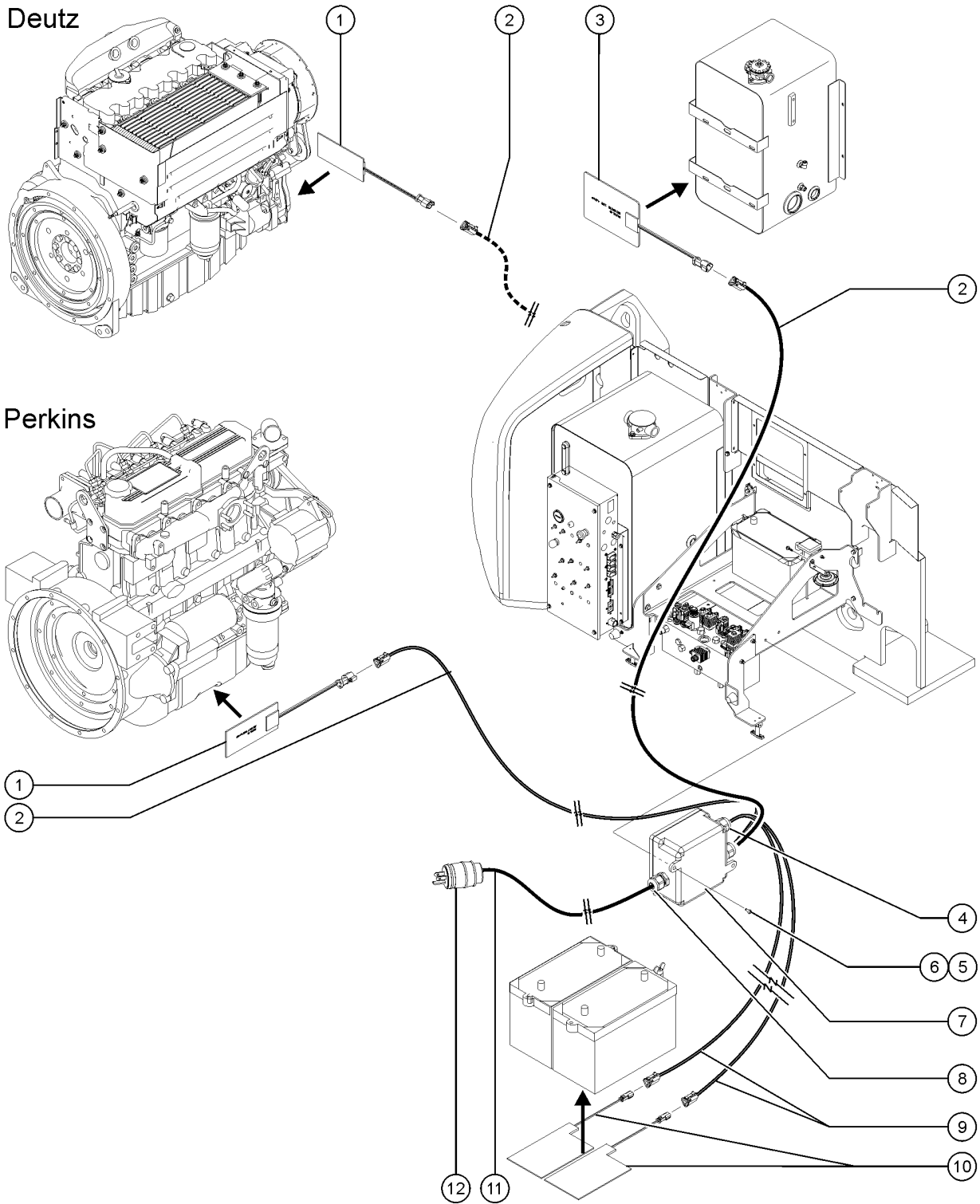


919.1 Welder Ready Option, Manifold Components

<i>Item</i>	<i>Part No.</i>	<i>Description</i>	<i>Qty.</i>
1	48963GT	FITTING,ELBOW,45D,520320-12***	4
2	101516GT	MANIFOLD,DRIVE OIL DIVERTER (includes items 3-8 and 13)	1
3	102746GT	VALVE,PILOT OPER DIRECTIONAL	1
4	106394GT	ORIFICE DISC,.030,CONE	1
5	94760GT	VALVE,SOLENOID,10V,W/OUT COIL *	1
6	94765GT	COIL-10V DC***	1
7	94759GT	NUT,SOLENOID	1
8	94757GT	VALVE,CHECK,3 PSI***	1
9	48960GT	FITTING,CONN,520120-12***	2
10	146285GT	CONN, SAE#4-1/4" NPT	1
11	146284GT	SWITCH,PRESS,#4NPT,200PSIF for first time replacement, order service kit 1271398GT.	1
12	48933GT	CONN,520120-8***	1
13	122302GT	RELIEF,VALVE 270 PSI	1



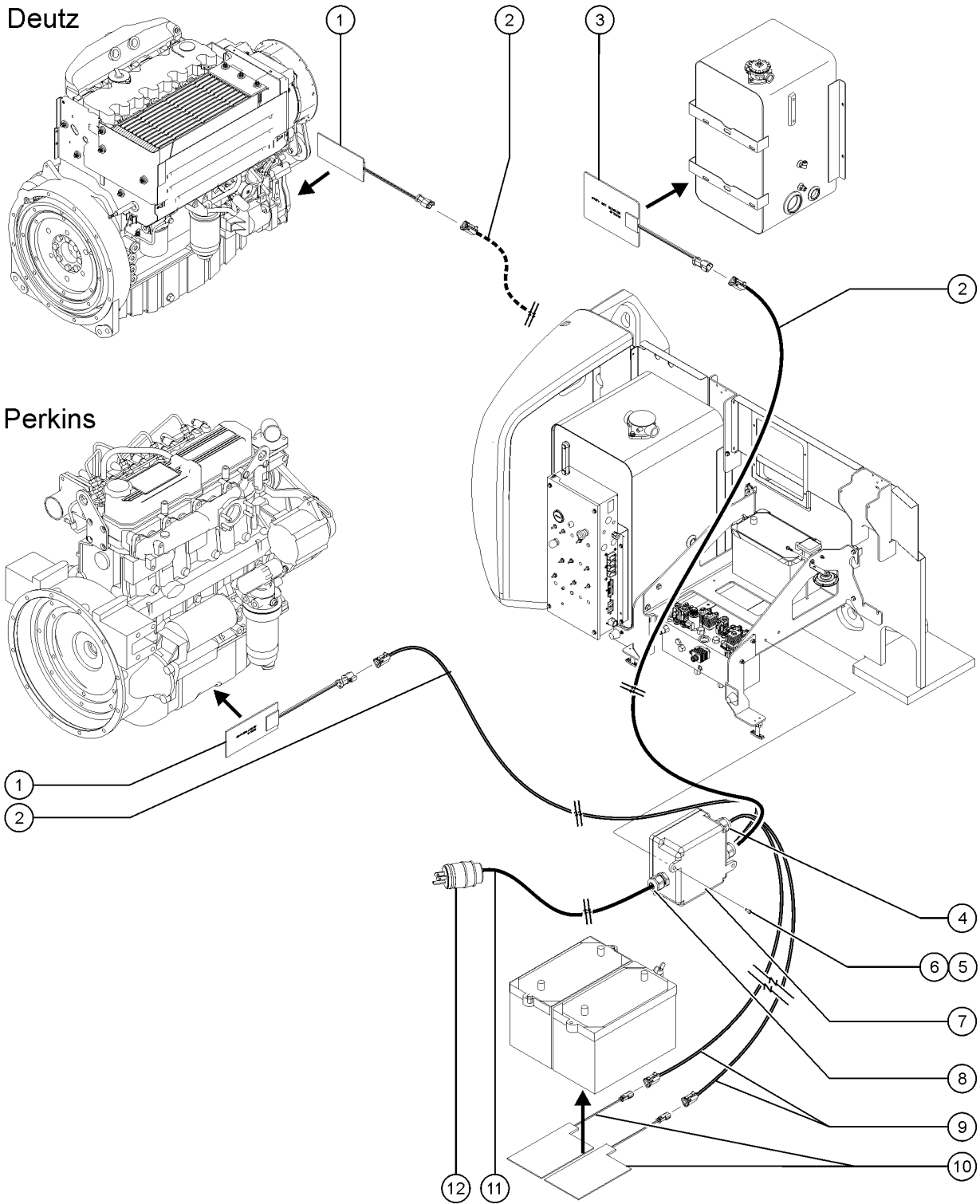
920.1 Cold Start Package



920.1 Cold Start Package

Item	Part No.	Description	Qty.
1	216615GT	ASSY HEATER, MODEL 18, 120V 120V models	1
1A-	119066GT	CONN, RECEP, 3 WAY, DEUTSCH, DT, ENDCAP	
1A-	60441GT	CONN, RECEP, 3 WAY, DEUTSCH, DT, LOCK	
1B	216616GT	ASSY HEATER,MODEL 18,240V 240V models	1
1B-	119066GT	CONN, RECEP, 3 WAY, DEUTSCH, DT, ENDCAP	
1B-	60441GT	CONN, RECEP, 3 WAY, DEUTSCH, DT, LOCK	
2	216662GT	HARNESS,ENG/HYD HEATER,120V 120V models	1
2A-	119057GT	CONN, PLUG, 3 WAY, DEUTSCH, DT, ENDCAP	
2A-	60427GT	CONN, PLUG, 3 WAY, DEUTSCH, DT, LOCK	
2A-	101199-200GT	SHRINK TUBE,BLACK,RHW,1/2,3:1	
2B	216683GT	HARNESS,ENG/HYD HEATER,240V 240V models	1
2B-	119057GT	CONN, PLUG, 3 WAY, DEUTSCH, DT, ENDCAP	
2B-	60427GT	CONN, PLUG, 3 WAY, DEUTSCH, DT, LOCK	
2B-	101199-200GT	SHRINK TUBE,BLACK,RHW,1/2,3:1	
3	216612GT	ASSY,120V HEATER, HYD TANK 120V models	1
3A-	119066GT	CONN, RECEP, 3 WAY, DEUTSCH, DT, ENDCAP	
3A-	60441GT	CONN, RECEP, 3 WAY, DEUTSCH, DT, LOCK	
3B	216611GT	ASSY,240V HEATER, HYD TANK 240V models	1
3B-	119066GT	CONN, RECEP, 3 WAY, DEUTSCH, DT, ENDCAP	
3B-	60441GT	CONN, RECEP, 3 WAY, DEUTSCH, DT, LOCK	
4	99778GT	CABLE SQUEEZE CONN,4 WIRE included in harness	2
4-	238123GT	HUBBLE NUT, PG11	
5	826516GT	SCREW, PHPM, 10-32 X 1.0, ZAG	
6	824032GT	NUT,TL FLG,10-32,F,ZAG	
7	214249GT	COLD WEATHER 120V J BOX ASSY	1
7-	215347GT	COLD PKG GROUND, JUMPER ASSY	1
7-	69776GT	TERMINAL,STRIP,4-POLE,600V***	1
7-	13597GT	TERMINAL,#10 RING,BLUE	4

920.1 Cold Start Package

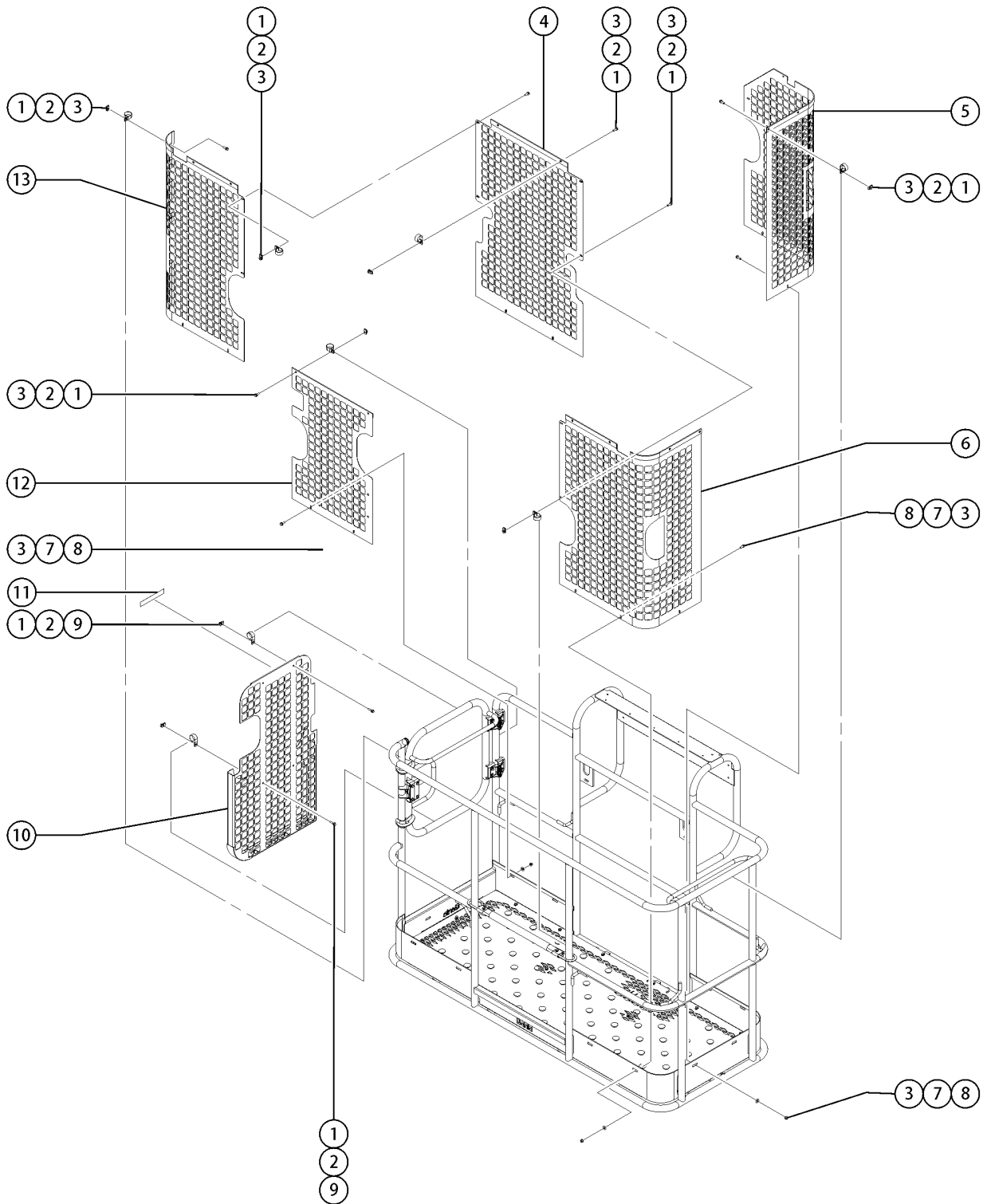


920.1 Cold Start Package

Item	Part No.	Description	Qty.
8	214536GT	SQUEEZE CONN W/NUT, 2WIRE, 4MM included in harness	1
9	216655GT	HARNESS,BATT CABLE,120V 120V models	
9A-	119056GT	CONN PLUG 2 WAY ENDCAP DT	
9A-	60425GT	LOCK,PLUG 2 WAY, 14-18GA	
9A-	101199-200GT	SHRINK TUBE,BLACK,RHW,1/2,3:1	
9B	216676GT	HARNESS,BATT CABLE,240V 240V models	
9B-	119056GT	CONN PLUG 2 WAY ENDCAP DT	
9B-	60425GT	LOCK,PLUG 2 WAY, 14-18GA	
9B-	101199-200GT	SHRINK TUBE,BLACK,RHW,1/2,3:1	
10	216617GT	ASSY, BATTERY HEATER, 120V 120V models	
10A-	119065GT	CONN,RECEP 2 WAY ENDCAP DT	
10A-	60439GT	LOCK,RECEP 2 WAY, 14-18GA	
10B	216618GT	ASSY BATTERY HEATER,240V 240V models	
10B-	119065GT	CONN,RECEP 2 WAY ENDCAP DT	
10B-	60439GT	LOCK,RECEP 2 WAY, 14-18GA	
11	216606GT	HARNESS, 120V POWER CORD, 24" 120V models includes plug and hubble	1
11A-	45845GT	TERMINAL, RING, #10 YELLOW	
11A-	101199-200GT	SHRINK TUBE,BLACK,RHW,1/2,3:1	
11B	216607GT	HARNESS, 240V POWER CORD, 24" 240V models includes hubble	1
11B-	45845GT	TERMINAL, RING, #10 YELLOW	
11B-	101199-200GT	SHRINK TUBE,BLACK,RHW,1/2,3:1	
12	119403GT	CONN,PLUG 120 AC/15A DOMESTIC 120V models	1



921.1 Full Mesh (6 foot platform)

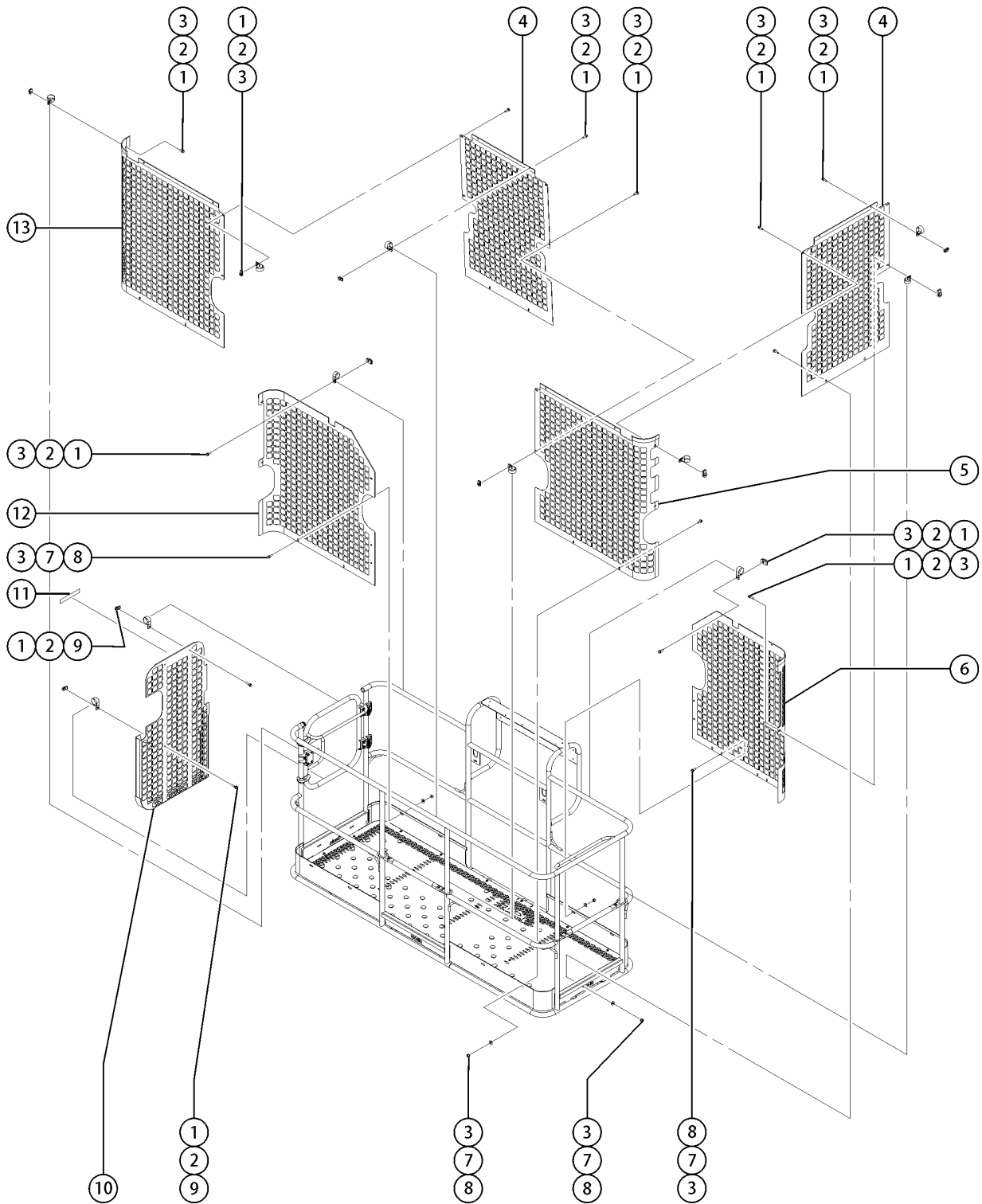


921.1 Full Mesh (6 foot platform)

<i>Item</i>	<i>Part No.</i>	<i>Description</i>	<i>Qty.</i>
A	1282310GT	OPTION,6 FT FULL HEIGHT MESH (6 foot platform)	1
1	56912GT	SPRING CLIP,1/4-20,.025-.15X.5	23
2	56424GT	CLAMP,1.25X.5 RUBBER-CUSHION	23
3	824078GT	SCREW,HHF,1/4-20X.75,8,ZAG	31
4	1278792GT	MESH,FULL HEIGHT,ENTRY	1
5	1282205GT	MESH,6' FULL,BACK RIGHT	1
6	1282206GT	MESH,6' FULL,FRONT RIGHT	1
7	824113GT	WASHER,FLAT,1/4,USS,ZAG	12
8	824027GT	NUT,TL FLG,1/4-20,G,ZAG	12
9	824079GT	SCREW,HHF,1/4-20X1,8,ZAG	4
10	1278793GT	WELDMENT, PLATFORM MESH GATE	1
11	1282390GT	LABEL, LIFT GUARD, PLATFORM MESH	1
12	1282204GT	MESH,6' FULL,BACK LEFT	1
13	1282207GT	MESH,6' FULL,FRONT LEFT	1



922.1 Full Mesh (8 foot platform)

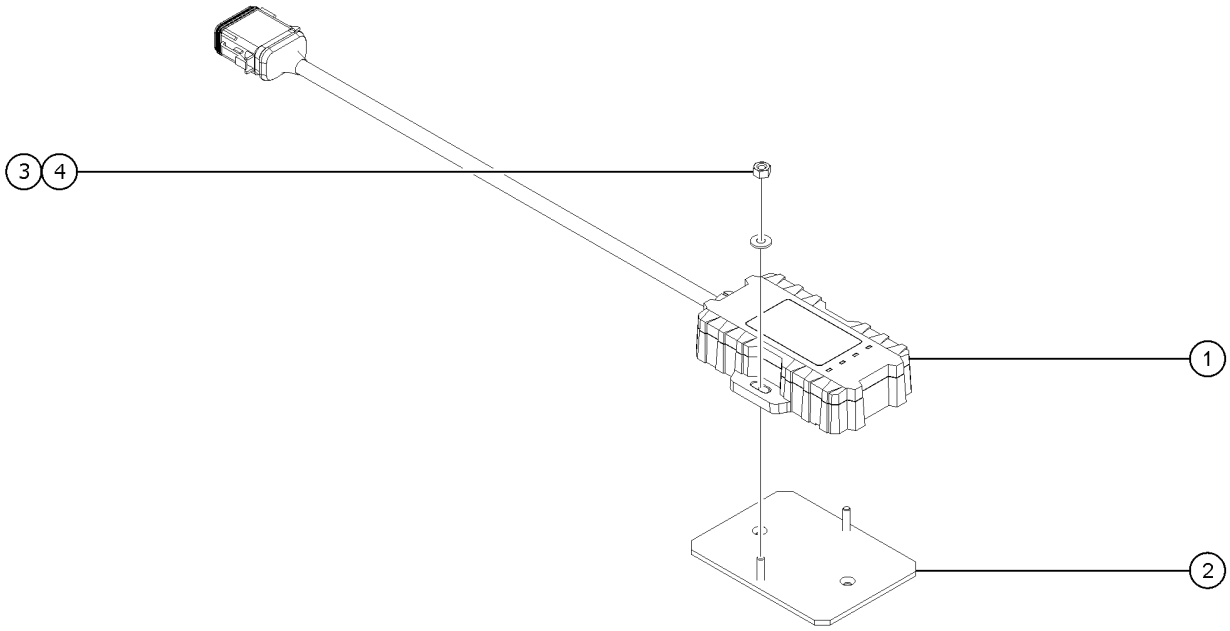


922.1 Full Mesh (8 foot platform)

<i>Item</i>	<i>Part No.</i>	<i>Description</i>	<i>Qty.</i>
A	1279012GT	OPTION,8 FT FULL MESH	1
1	56912GT	SPRING CLIP,1/4-20,.025-.15X.5	30
2	56424GT	CLAMP,1.25X.5 RUBBER-CUSHION	30
3	824078GT	SCREW,HHF,1/4-20X.75,8,ZAG	38
4	1278792GT	MESH,FULL HEIGHT,ENTRY	2
5	1278791GT	MESH, 8' FULL,FRONT RIGHT	1
6	1279243GT	MESH, 8' FULL,BACK RIGHT	1
7	824113GT	WASHER,FLAT,1/4,USS,ZAG	12
8	824027GT	NUT,TL FLG,1/4-20,G,ZAG	12
9	824079GT	SCREW,HHF,1/4-20X1,8,ZAG	4
10	1278793GT	WELDMENT, PLATFORM MESH GATE	1
11	1282390GT	LABEL, LIFT GUARD, PLATFORM MESH	1
12	1278790GT	MESH, 8' FULL,BACK LEFT	1
13	1279244GT	MESH, 8' FULL,FRONT LEFT	1



923.1 Telematics Option

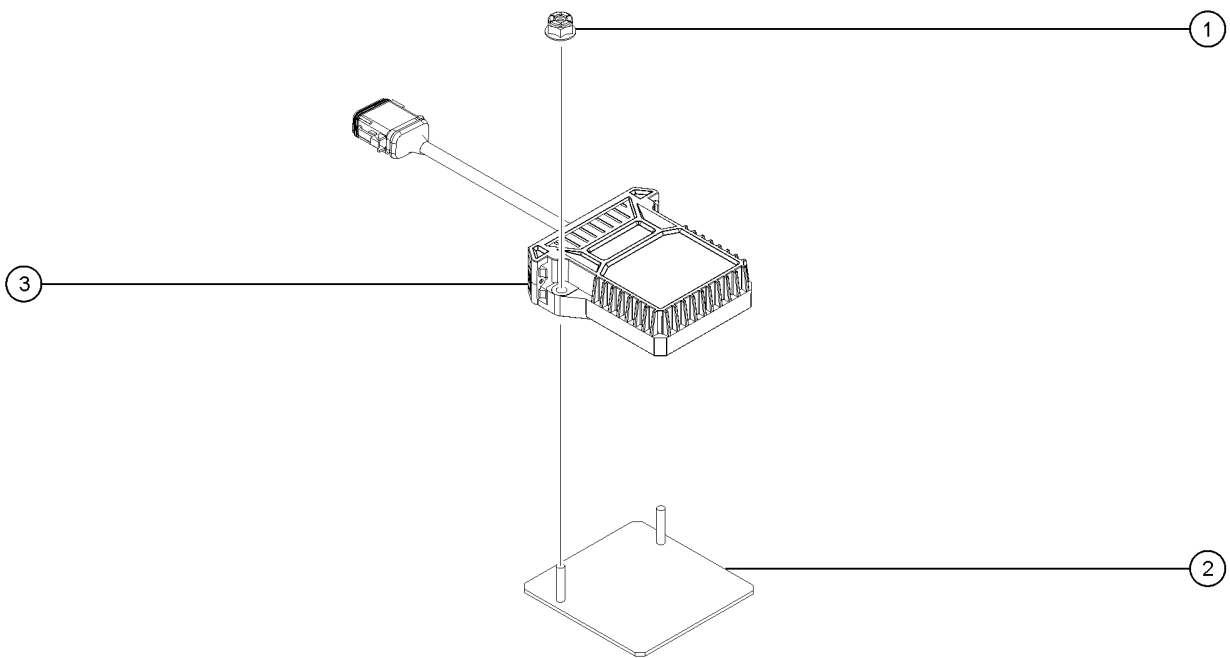


923.1 Telematics Option

Item	Part No.	Description	Qty.
-	1292977GT	HARNESS, RETROFIT, EXTENDED, M7, GENIE LIFT CONNECT for first time insulation, must order this Harness with one of the models 1289520GT, 1289521GT, 1289522GT, or 1289523GT	1
1	1289520GT	MODULE, TELEMATICS, ZTR, M7, NORTH AMERICA North America	1
1B	1289521GT	MODULE, TELEMATICS, ZTR, M7, EMEA/APAC EMEA/APAC	
1C	1289522GT	MODULE, TELEMATICS, ZTR, M7, APAC/ANZ APAC/ANZ	
1D	1289523GT	MODULE, TELEMATICS, ZTR, M7, JAPAN Japan	
2	1307200GT	BRACKET, TELEMATICS	1
3	1271081GT	NUT, NYLOCK, 8-32, 8, ZAG	2
4	1257390GT	WASHER, FLAT, #8, SAE, ZAG	2



923.2 China Telematics Option, TZ200 ,Long

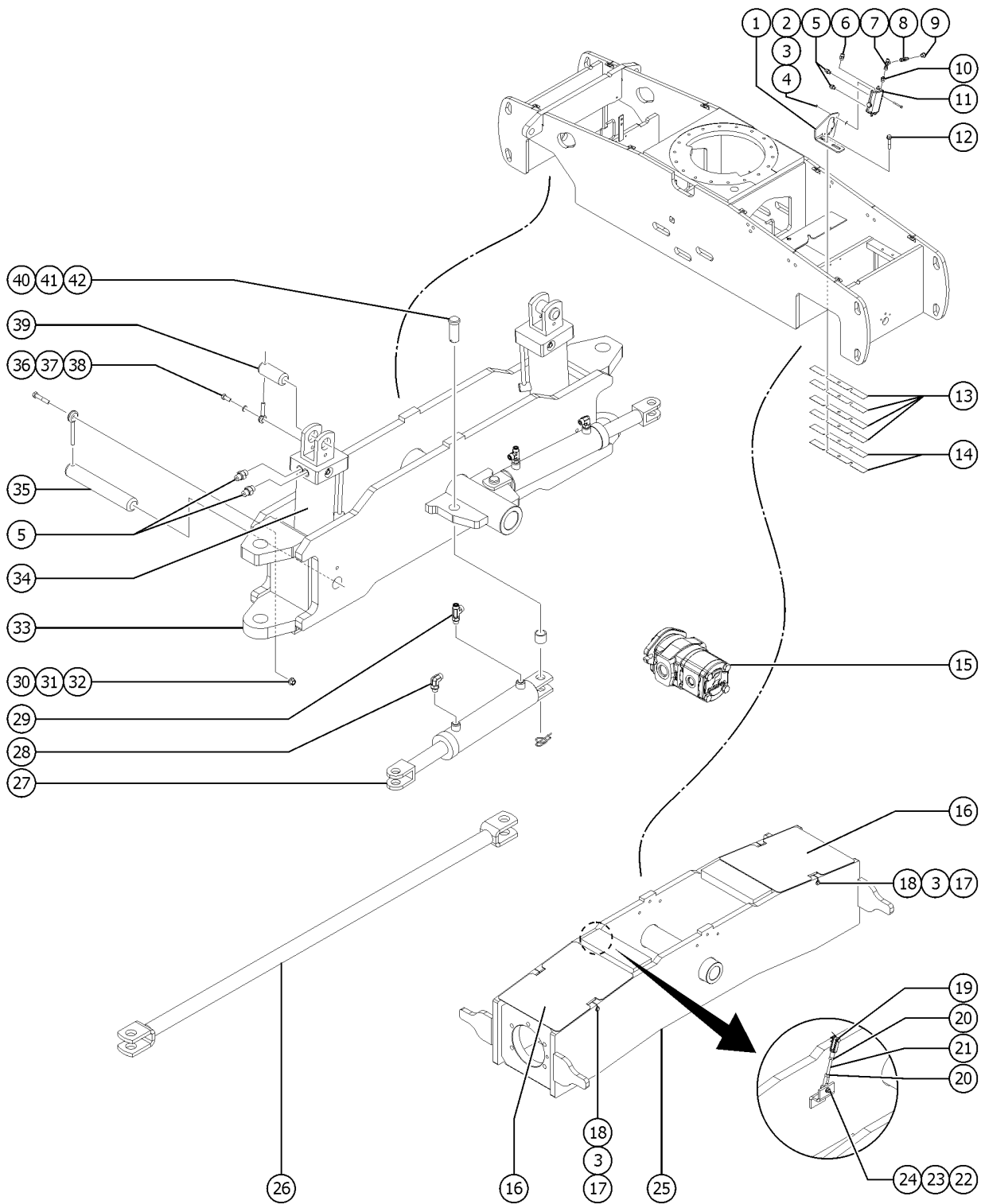


923.2 China Telematics Option, TZ200 ,Long

<i>Item</i>	<i>Part No.</i>	<i>Description</i>	<i>Qty.</i>
1	1277924GT	NUT,NYLOCK FLG,1/4-20,F,ZAG	2
2	1305593GT	BRACKET,CHINA TELEMATICS,COMMON	1
3	1304981GT	MODULE,TELEMATICS,TIZA,TZ200,CHINA,85LG	1



924.1 400MM (15.75 IN.) WIDE TRACKS OPTION FOR TRAX

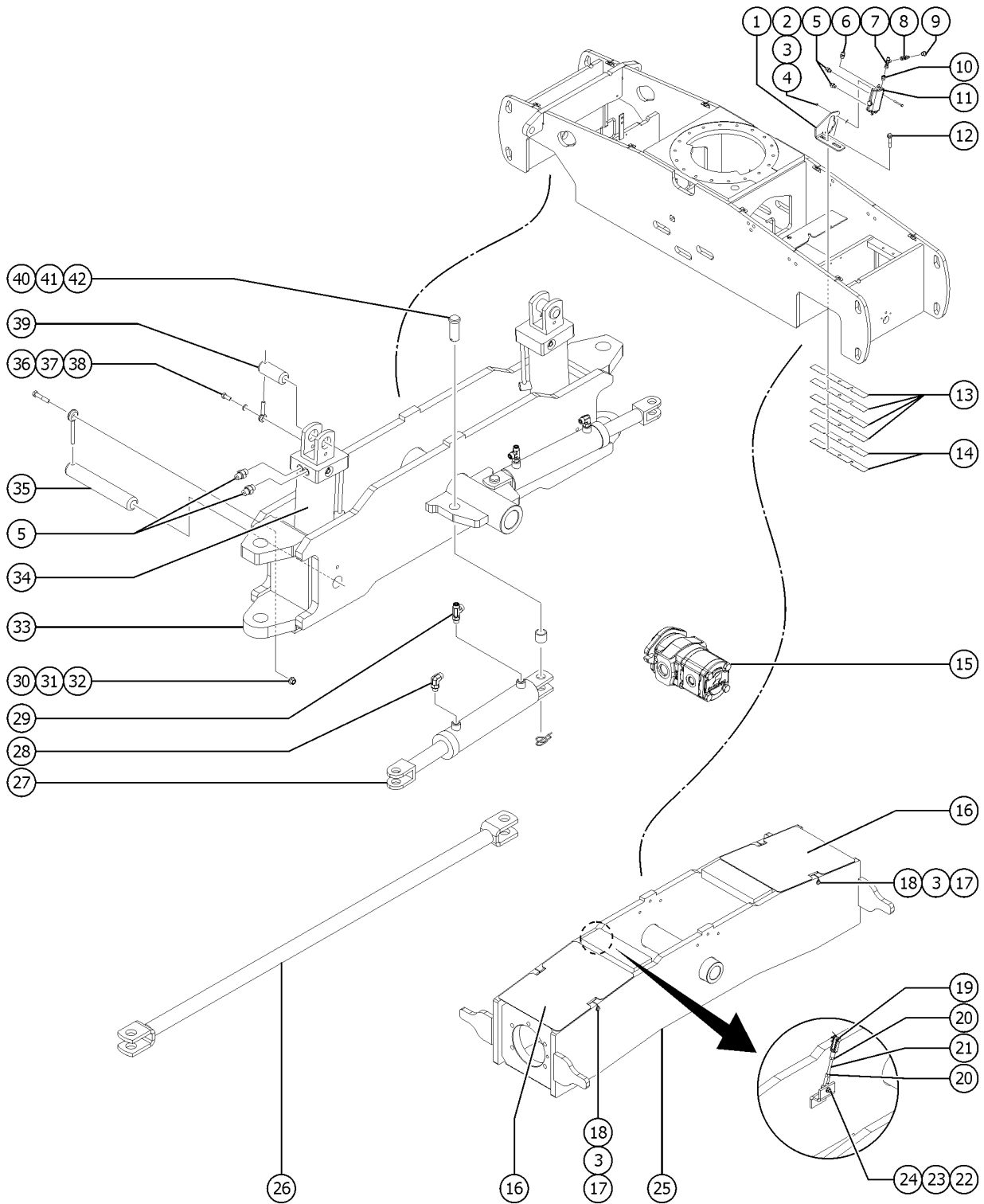


924.1 400MM (15.75 IN.) WIDE TRACKS OPTION FOR TRAX

Item	Part No.	Description	Qty.
1	1255712GT	BRACKET, OSCILLATE VALVE	1
2	824027GT	NUT,TL FLG,1/4-20,G,ZAG	2
3	824113GT	WASHER,FLAT,1/4,USS,ZAG	6
4	824064GT	SCREW, HHC, 1/4-20 X 2.25, 8, ZAG	2
5	48912GT	CONN,520120-4-6***	6
6	48933GT	CONN,520120-8***	1
7	48908GT	FITTING,TEE,RUN,SWIVEL520432-4	1
8	49207GT	NIPPLE,DIAGNOSTIC,ORFS,FM,SWIV	1
9	48880GT	CAP,DIAGNOSTIC NIPPLE	1
10	48914GT	CONN,520120-4-8	1
11	81552GT	VALVE,MANUAL,W/RELIEF VALVE***	1
12	1257862GT	SCREW,HHF,1/2-13X2.75,8,ZAG	2
13	81609GT	SHIM,AXLE ROTATION STOP,22G	4
14	81610GT	SHIM,AXLE ROTATION STOP,16G	2
15	139801GT	PUMP,LIFT,2 SECTION***	1
16	1255714GT	COVER, REAR AXLE	2
17	824063GT	SCREW, HHC, 1/4-20 X 1.75, 8, ZAG	4
18	56912GT	SPRING CLIP,1/4-20,.025-.15X.5	4
19	21130GT	CLEVIS YOKE-1/4-28,PLTD W/PIN	1
20	824041GT	NUT, 1/4-28, 8, ZAG	2
21	1257077GT	ROD,THREADED,1/4-28X4,ZAG	1
22	1256467GT	NUT,TL FLG,10-24,F,ZAG	1
23	81691GT	ROD END,BALL JOINT 1/4-28	1
24	1257076GT	BOLT,SHS,1/4-28X4,ZAG	1
25	1283783GT	WELDMENT,REAR AXLE,TRAX, 400MM (15.75 IN) WIDE TRACK	1
26	1283847GT	WELDMENT, TIE ROD, TRAX, 400MM (15.75 IN) WIDE TRACK	1
27	125865GT	CYLINDER, STEER	2
28	48915GT	ELBOW,90D,520220-6	2



924.1 400MM (15.75 IN.) WIDE TRACKS OPTION FOR TRAX



924.1 400MM (15.75 IN.) WIDE TRACKS OPTION FOR TRAX

<i>Item</i>	<i>Part No.</i>	<i>Description</i>	<i>Qty.</i>
29	48918GT	TEE,RUN,520428-6	2
30	1274322GT	NUT,NYLOCK FLG,3/8-16,F,ZAG	2
31	825019GT	ROD END, .375X3.69, ZAG	2
32	1256108GT	SCREW,HHC,3/8-16X2,8,ZAG	2
33	1283785GT	WELDMENT,FRONT AXLE, TRAX, 400MM (15.75 IN) WIDE TRACK	1
34	110578GT	CYLINDER,OSCILLATE,S60	2
35	77880GT	PIN,1.50DIAX9.38LG,1HOLE	2
36	824067GT	SCREW,HHC,3/8-16X1,8,ZAG	2
37	824110GT	WASHER, LOCK, 3/8, ZAG	2
38	1255452GT	ROD END,.375*2.25,ZAG	2
39	84221GT	CONTROL PANEL DOOR ASSY,GS84	2
40	824127GT	PIN, CLEVIS, SAE 1.0 X 2.41, ZAG	2
41	25817GT	BEARING,1.00IDX1.25ODX1.00L	2
42	824129GT	RUE RING, 1.0, ZAG	2



<u>Part no.</u>	<u>Page Number</u>	<u>Part no.</u>	<u>Page Number</u>	<u>Part no.</u>	<u>Page Number</u>
4828GT	327, 329	18666GT	105, 139, 295, 359	27836GT	143, 149, 155
5397GT	327	18720GT	233, 237, 239, 243, 245 251	28117GT	75
6019GT	329	18722GT	233, 237, 239, 243	28158GT	13, 19, 41, 45
6021GT	321	18963GT	321	28159GT	13, 19, 41, 45
6024GT	187	19273GT	227	28160GT	13, 19, 41, 45
6090GT	133	19440GT	247, 253	28174GT	23, 27, 35, 39, 49, 51...
6091GT	91, 341	19491GT	247, 253	28175GT	13, 19, 23, 27
6097GT	107	19506GT	95, 99	28235GT	23, 27, 35, 39, 49, 51...
6145GT	327	20776GT	357	28236GT	35, 39
6146GT	297, 321	21130GT	73, 171, 175, 181, 381	28301GT	117
6147GT	321	21141	89	28607GT	339
6175GT	107, 321	21141GT	85	29080GT	251
6178GT	103, 137, 321, 359	21465GT	93, 201, 227	29104GT	13, 19
6356GT	133, 327	21858GT	97, 101, 133, 135	29557GT	191, 217
6607GT	235, 241	22348GT	93	29559GT	177, 185, 211
6637GT	341	22558GT	187	29560GT	175, 183, 207
6638GT	91, 359	22571GT	359	29739GT	163
6888GT	341	22672GT	171, 173, 195, 221, 225	29868	87
6935GT	329, 343, 345	22699GT	209	29868GT	83, 107, 227, 321
7056GT	103, 125, 329	23404GT	103, 137	30138GT	245, 251, 257
7057GT	137, 343	23405GT	335	30144	89
8170	87	24038GT	173, 195, 221	30144GT	85
8170GT	83	24514GT	281, 285	30217GT	269, 273
8178GT	327	25548GT	223	30222GT	269
8887GT	357	25683GT	263, 265, 267, 273	30348GT	197, 199
8915GT	91	25685GT	275	30370GT	233, 239, 245, 251, 262 265
10107GT	327	25817GT	383	30468GT	323
10775GT	329	25969GT	235, 241	30489GT	181, 223
10777GT	329	27067GT	63, 67, 71	30490GT	93, 177, 181
12344GT	351, 359	27082GT	297	30810GT	339
13003GT	187	27089GT	93, 175, 181, 207	30971GT	179, 211, 223, 335
13064GT	187	27204GT	23, 27, 49, 51	30997GT	137, 295
13268	87	27205GT	13, 19, 41, 45	31060GT	31, 33
13268GT	83	27206GT	13, 19, 23, 27, 41, 45...	31100GT	151
13585GT	329	27207GT	13, 19, 23, 27, 41, 45...	31408GT	177, 211
13597GT	369	27246GT	131, 133, 135, 289, 242	31523GT	179
13635-10GT	257, 277	27287GT	105, 137	31788GT	13, 19
13921GT	365	27377GT	117	31983GT	227
15243GT	295	27761GT	155	32675GT	365
18503GT	107	27802GT	143, 149	32681GT	73
18596GT	187	27804GT	143, 151	32695GT	177, 211
18665GT	357	27807GT	143, 145, 149, 151	32698GT	179

<u>Part no.</u>	<u>Page Number</u>	<u>Part no.</u>	<u>Page Number</u>	<u>Part no.</u>	<u>Page Number</u>
32975GT	143, 151	40434GT	35, 39, 57, 59	48908GT	305, 309, 313, 315, 317, 381
33239GT	179	40614GT	103, 137	48911GT	305, 311, 313
33418GT	187	42014GT	65, 71, 77	48912GT	303, 309, 315, 381
33422GT	103, 139	42787GT	319	48914GT	301, 315, 365, 381
33428GT	65, 267	43018GT	159	48915GT	309, 313, 381
33432GT	365	43392GT	323, 349	48916GT	301, 305, 309, 313
33550GT	35, 39, 57, 59	43683GT	161, 163	48918GT	309, 313, 383
33555GT	117	43960GT	247, 253	48930GT	309
33607GT	139	44174GT	159	48932GT	215, 229, 301, 357
33608GT	139	44743GT	285	48933GT	301, 305, 309, 313, 315, 317
33724GT	329	44981GT	23, 27, 35, 39, 49, 51...	48936GT	215, 229, 301, 309
34052GT	103, 137	45071GT	65, 75	48937GT	305
34058GT	339	45074GT	63	48941GT	215, 229, 301
34124GT	245, 251	45383GT	291	48943GT	303
34125GT	257	45385GT	137	48946GT	303
34162-300GT	197	45435GT	197, 223, 337	48948GT	309
34162-0400GT	337	45454GT	91, 93	48949GT	303
34164GT	337	45470GT	261, 275	48960GT	215, 229, 301, 305, 309, 313
34245GT	245, 251	45489GT	145, 151	48963GT	215, 229, 301, 317, 367
34344GT	251	45708	87	48975GT	365
34505GT	335	45708GT	83	48977GT	303
34619GT	275, 333	45782GT	175, 181	48984GT	301, 303, 305, 319
34922GT	335	45845GT	371	48985GT	303
34940GT	93	45912GT	141, 143, 147, 149	48996GT	303
34955GT	335	45921GT	141, 147	48998GT	301, 305, 311
34959GT	337	46137GT	13, 19, 23, 27	49117-2491GT	301
35432GT	335	46139GT	13, 19	49117-3291GT	315
35434GT	195, 197, 221	46181GT	13, 19	49117-3391GT	301
35461GT	329	47041GT	13, 19	49117-3791GT	305
35586GT	179	47222GT	261	49117-3800GT	305
35675GT	107, 269	48498GT	221	49117-4691GT	301, 315
35726GT	165	48731GT	13, 19, 23, 27	49117-5191GT	315
35956GT	327	48767GT	305	49117-6091GT	311
35960GT	321	48878GT	319, 341	49117-6119GT	317
36208GT	335	48880GT	301, 305, 311, 315, 381	49117-6291GT	309
37947GT	95, 99, 117, 131	48883GT	313	49117-10091GT	309
38620GT	257	48885	87	49117-10691GT	311
38621GT	245, 251	48885GT	85	49119-2878GT	301, 305
39317GT	279	48891GT	315	49119-4278GT	305
39879GT	365	48904GT	301, 305, 315	49119-7478GT	305
39882GT	109	48905GT	301, 305, 309, 313, 315	49119-7578GT	309, 313
39888-183600GT	329	48907GT	301, 305	49119-69825GT	305



<u>Part no.</u>	<u>Page Number</u>	<u>Part no.</u>	<u>Page Number</u>	<u>Part no.</u>	<u>Page Number</u>
49119-71325GT	307	52966GT	13, 19, 41, 45	58431GT	161
49119-79678GT	305	52967GT	13, 19, 41, 45	58489GT	91
49128-12309GT	305	53386GT	61	58566GT	175, 207
49130-2482GT	309, 313	53758-SGT	339	58627GT	95, 99, 131
49130-4782GT	309, 313	53759-SGT	339	58630GT	181
49130-5582GT	301	53761-SGT	339	58631GT	365
49130-5782GT	301	53952GT	167, 179, 197, 211	59460GT	61
49131-9603GT	309	54124GT	93	60160PGT	281, 285
49143-3429GT	303	54132GT	307	60334GT	109, 215, 229
49143-3629GT	303	54205GT	171	60370-SGT	267, 275
49143-12329GT	305	54324GT	93	60425GT	371
49150-2855GT	319, 341	54365GT	103, 359	60427GT	369
49150-9130GT	303	54428GT	177, 207	60432GT	121, 127
49151-6248GT	301, 319	54437GT	171	60439GT	321, 371
49177-102894GT	329	54458GT	325	60441GT	369
49183-7592GT	317	54465GT	325	60443GT	247, 253
49183-13492GT	305	54487PGT	169	60585GT	169
49189-8636GT	89	54534GT	103	60746GT	235, 241
49189-8638GT	85	54578GT	173	60838GT	185
49207GT	303, 315, 381	54579GT	171	60857GT	107, 109
49212GT	329	55067GT	283, 287	60886PGT	329
49214GT	329	55753GT	325, 355	61073-3405GT	317
49215GT	329	55912GT	133	61073-3930GT	301
49219GT	119, 125, 305	56051GT	321	61073-7330GT	317
49379GT	359	56057GT	105	61074-7254GT	301
49411GT	187	56361GT	261, 343	61225GT	103
49418GT	305	56424GT	281, 285, 325, 373, 375	61263GT	303
49859GT	313, 315	56704GT	321	61278GT	345
49861GT	317	56848GT	289, 291	61602GT	233, 239
49915GT	187	56912	87	61726GT	275
49924GT	175, 183, 191, 207, 217	56912GT	61, 67, 83, 191, 217, 227	61794GT	119, 125, 299
50742GT	235, 241	57075GT	329	61804GT	275
50787-SGT	175, 181	58249GT	181	61809GT	275
52352GT	183	58253GT	119, 125, 299	61972GT	275
52371GT	159	58256GT	175, 181	61974GT	275
52475GT	13, 19, 41, 45	58299GT	183	61975GT	275
52607GT	13, 19	58303GT	141, 147	61997GT	275
52726GT	155	58304GT	111	62076GT	31, 53
52865GT	13, 19	58310GT	279	62077GT	23, 49
52866GT	167, 179, 183, 197	58354GT	167	62078GT	33, 55
52897GT	159	58380GT	109	62079GT	27, 51
52943GT	141, 143, 145, 147, 149, 151	58415GT	167, 179, 197	62256GT	141, 147



<u>Part no.</u>	<u>Page Number</u>	<u>Part no.</u>	<u>Page Number</u>	<u>Part no.</u>	<u>Page Number</u>
62257GT	149, 151	70385GT	169, 179, 207, 209	73574-SGT	281
62258GT	145, 151	70444GT	185	73575GT	281, 285, 351
62260GT	141, 147	70445GT	187	73610PGT	281, 285
62273GT	141, 145, 147, 151, 153	70448PGT	183	73713GT	247, 253, 321
62275GT	141, 143, 147, 149	70449GT	185	73717GT	105, 139, 295
62392GT	299	70452GT	177, 205, 207, 211	73723GT	295
62420GT	167, 179, 197	70454PGT	187	73725GT	247, 253
62421GT	173	70455GT	183	73736GT	103, 139, 295
62425GT	183	70459GT	207	73751GT	121, 127
62433GT	171	70459PGT	177	73753GT	103, 139
62506GT	159	70460PGT	175, 207	73754GT	103, 139
62507GT	159	70461PGT	177, 211	73805GT	95, 99
62845GT	169	70472GT	209	73807GT	159, 269
63213GT	267	70472PGT	179	73901GT	325
63353GT	267	70483GT	187	74006GT	329, 359
63463GT	167, 179, 197, 211	70494GT	211	74872GT	247, 253
63468GT	71	70494PGT	179	74902GT	143, 149, 151
63566GT	263, 265, 269, 273	70529GT	337	74913GT	103
63727GT	335	71038GT	339	74917GT	103, 137
65473GT	173	71259GT	341	74918GT	103, 137
65538GT	167	71498GT	327	75041GT	235, 241
65636GT	173	71768GT	247, 253	75073GT	107, 115
65638GT	173	71911GT	185, 187	75278-5029GT	309
65810GT	167, 179, 197	72047GT	141, 145, 147, 151, 153	75278-5129GT	309
65887GT	93	72086GT	13, 19, 41, 45	75395GT	269
66812GT	95, 99, 131, 289	72168GT	13, 19	75443GT	299
66813GT	97, 101, 135, 291	72169GT	13, 19	75444GT	299
66815GT	291	72255GT	175, 181	75445GT	299
66816GT	291	72256GT	117	75446GT	299
66818GT	289	72282GT	321	75447GT	299
67631GT	207	72290GT	63, 67	75448GT	299
69775GT	177, 207	72326	87	75449GT	299
69776GT	369	72326GT	83, 291, 321	75450GT	183
70298GT	173	72343GT	169	75451GT	183
70317PGT	333	72344GT	169	75470GT	237, 243
70318PGT	333	72348GT	167, 171	75574GT	307
70319GT	333	72875GT	35, 39	75627GT	111
70351PGT	177, 211	72999GT	13, 19	75654GT	303
70357GT	173	73477PGT	281, 285	77051GT	247, 253, 257
70367GT	167	73478PGT	285	77069GT	91
70375GT	179, 211	73500GT	325	77071GT	91
70381GT	179, 187, 197, 207, 223	73501GT	325	77180GT	283, 287



<u>Part no.</u>	<u>Page Number</u>	<u>Part no.</u>	<u>Page Number</u>	<u>Part no.</u>	<u>Page Number</u>
77245PGT	177	77891GT	337	82487GT	41, 45, 57, 59
77303GT	263, 265, 269, 273	77950GT	67	82551GT	41, 45, 49, 51
77351GT	297	77990GT	171	82552GT	41, 45, 49, 51
77353	89	77992GT	269	82677GT	13, 19, 23, 27
77353GT	85	77996PGT	333	82678GT	13, 19, 23, 27
77354	89	77997PGT	333	82862GT	35, 39
77354GT	85	77998PGT	333	83093GT	95, 99, 117, 131
77365	89	80543GT	359	83129GT	119, 125, 299
77365GT	85	80716GT	97, 101, 135	83141GT	163
77402GT	171, 177	81096GT	329	84134GT	155
77430GT	137	81167GT	333	84135GT	155
77477GT	167	81175GT	269	84221GT	383
77482GT	173	81341GT	277	85155GT	167
77483GT	173	81342GT	277	85239GT	95, 99
77610GT	65	81347GT	277	87085GT	279, 323
77616PGT	257	81458GT	329	87172GT	319
77618PGT	245, 251	81467GT	183, 223	87246GT	365
77641GT	133	81468GT	183, 223	88064GT	181
77648GT	257	81487PGT	295	88356-11103GT	235, 241
77649GT	257	81488GT	295	88356-13103GT	113, 235, 241, 247, 253
77653PGT	247, 253	81546GT	119, 125	88356-14963GT	247, 253
77654PGT	247, 253	81550GT	297	88406GT	361
77656GT	247, 253, 257	81551GT	297	88516GT	263, 265, 269
77667GT	133	81552GT	73, 381	88567GT	257
77671GT	109	81578GT	91	88568GT	245, 251
77674GT	71	81609GT	73, 381	88569GT	257
77688GT	259	81610GT	381	88570GT	257
77693GT	341	81640GT	267	88571GT	247, 253
77713PGT	259	81691GT	73, 381	88576GT	263, 265
77718GT	245, 251, 257	81694GT	237, 243	88606PGT	323
77736GT	167	81724GT	107	88607PGT	323
77769GT	341	81812-13292GT	309	88636-2573GT	307
77778GT	107	81834GT	111	88636-8573GT	315
77788GT	161	81856GT	247, 253	88636-11973GT	305
77790GT	61	82161GT	13, 19	88653GT	233, 239
77791GT	61	82237GT	23, 27, 35, 39	88666GT	235, 241
77795GT	247, 253	82240GT	41, 45	88667GT	247, 253
77803GT	109	82243GT	35, 39	88675GT	235, 241
77879PGT	333	82366GT	13, 19	88676GT	233, 239
77880GT	65, 383	82410GT	35, 39	88727GT	61
77882PGT	245, 251	82431GT	161	88728GT	61
77887GT	337	82481GT	41, 45	88729GT	61



<u>Part no.</u>	<u>Page Number</u>	<u>Part no.</u>	<u>Page Number</u>	<u>Part no.</u>	<u>Page Number</u>
88730GT	61	89738GT	145, 151	94758GT	155
88783GT	155	89771GT	171	94759GT	165, 367
88793GT	257	89785GT	193, 219	94760GT	367
88796GT	257	89792GT	175	94762GT	171
88801GT	123, 129	89861GT	143, 149	94765GT	367
88802GT	123, 129	89862GT	159	94887GT	167
88810GT	121, 127	89864GT	159	94888GT	169
88827GT	95, 99	89953GT	169, 171	94889GT	171
88841GT	173	89996GT	181	94890GT	167
88846GT	167	89997GT	183	94937GT	109
88847GT	167	94077GT	91	94980GT	123, 129, 235, 241
88858GT	279	94205-3164GT	319, 341	96008-SGT	95, 99, 131
88859GT	277	94221GT	65	96010GT	95, 99
88870GT	263, 265, 269, 273	94374-2330GT	313	97128GT	247, 253
88872GT	233, 239	94374-2430GT	309	97473GT	167
88884GT	63, 67, 71	94374-2530GT	313	97548GT	23, 27
88885GT	67	94374-2630GT	309	97579GT	35, 39
88887GT	69	94374-4730GT	313	97602GT	23, 27
88917	89	94374-6030GT	303	97815GT	35, 39, 57, 59
88917GT	85	94397GT	269	97865GT	13, 19
88919GT	233, 239, 245, 251	94439GT	75	99343GT	119, 125
88920GT	233, 239	94463GT	335	99344GT	119, 125
88936GT	301	94464-4186GT	315	99632GT	137
88942-8354GT	303	94464-4986GT	309, 313	99778GT	369
88943-7675GT	303	94465-3650GT	301	101006GT	179, 211
88949-3828GT	301, 319	94466-2336GT	309, 313	101066PGT	259
88988PGT	171	94479GT	335	101080GT	125
88989PGT	173	94485GT	175	101129PGT	177
88990PGT	169	94499GT	141, 147	101140GT	211
88991PGT	173	94506GT	289	101140P-SGT	179
88993GT	173	94510GT	257	101191GT	119, 125
89294GT	61, 75	94526	89	101199-200GT	369, 371
89295GT	65	94526GT	85	101232GT	339
89307GT	141, 145, 147, 151, 153	94533GT	335	101251GT	247, 253
89309GT	141, 143, 147, 149	94537GT	335	101252GT	233, 239
89310GT	141, 143, 147, 149	94599GT	143, 145, 149, 151	101254GT	263, 265, 269, 273
89311GT	141, 145, 147, 151, 153	94620GT	111	101293GT	319
89312GT	145, 151	94643	89	101294GT	161
89571GT	109	94643GT	85, 275	101440GT	155
89575GT	105, 137	94711GT	169	101491GT	303
89617GT	91	94745PGT	281, 285, 325	101494GT	303
89737GT	145, 151	94757GT	367	101516GT	367



<u>Part no.</u>	<u>Page Number</u>	<u>Part no.</u>	<u>Page Number</u>	<u>Part no.</u>	<u>Page Number</u>
101525GT	361	106098GT	63, 67, 71	110183PGT	107, 181
101547PGT	361	106099GT	335	110194GT	143, 145, 151, 155
101701PGT	363	106109PGT	363	110196GT	143, 149
101726GT	93	106114GT	343	110197GT	143, 145, 149, 151
101790-10091GT	309	106114PGT	359	110200GT	143, 145, 149, 151
101790-10691GT	311	106117GT	67	110201GT	145, 151
101795-2482GT	309	106140PGT	139	110202GT	141, 143, 147, 149
101795-4782GT	313	106141GT	361	110221GT	63
101812GT	339	106163GT	281, 287	110268GT	121, 127
101813GT	339	106172GT	211	110276GT	361
101932GT	271, 331	106172PGT	107	110280GT	137
101964GT	117	106183GT	361	110304GT	173
102045GT	183, 187, 223, 229	106203GT	357	110345	89
102126GT	69	106204PGT	363	110345GT	85
102131GT	63, 69	106226-4000GT	167	110382GT	91
102155GT	63, 67	106272GT	357	110452GT	235, 241
102157GT	69	106273GT	361	110578GT	65, 383
102158GT	63, 67, 71	106275GT	361	110671GT	281, 285
102159GT	63, 67	106394GT	367	110789GT	275
102162GT	63, 69	106495GT	359	110899GT	169
102163GT	69	106516GT	65	110908GT	239
102166GT	71	106520GT	359	111029GT	169
102167GT	69, 71	106521GT	357	111155GT	79
102209PGT	189	106522GT	357	111402GT	181
102227GT	181	106523GT	357	111413GT	295
102230-9589GT	309	106607GT	357, 361	111420GT	295
102237PGT	185	106637GT	139	111445GT	175, 183
102357GT	139	106657GT	139	111526GT	323
102516GT	63, 69, 71	106663GT	167	111668GT	175, 181, 207
102528GT	145, 151	106835GT	161	111705GT	143, 149
102581GT	187	106836GT	161	114219GT	15, 21
102587GT	193, 217	106837GT	161	114249GT	41, 45, 49, 51
102746GT	367	107552GT	121, 127	114251GT	41, 45, 49, 51
102785PGT	323	107665PGT	245, 251	114252GT	53, 55
102786PGT	323	107753GT	141, 147	114258GT	15, 21, 23, 27
102992GT	281, 285	107813GT	161	114390GT	15, 21, 23, 27, 35, 39
104759GT	159	107814GT	161	114416GT	35, 39
106003PGT	173	107815GT	161	114425GT	15, 21
106033GT	339	107842GT	161	114465GT	15, 21, 41, 45
106044GT	361	107857GT	321	114473GT	57, 59
106073GT	359	108538GT	193, 217	115431GT	167
106077GT	359	109802GT	109	119046GT	233, 239



<u>Part no.</u>	<u>Page Number</u>	<u>Part no.</u>	<u>Page Number</u>	<u>Part no.</u>	<u>Page Number</u>
119047GT	233, 239	122073GT	355	128913GT	79
119056GT	357, 371	122302GT	367	128914GT	79
119057GT	369	122661GT	279	128916GT	81
119058GT	119, 125	122662GT	277	128917GT	79
119061GT	119, 121, 125, 127	122663GT	277	128918GT	79
119062GT	119, 125	122668GT	277	128919GT	81
119063GT	119, 125	122944GT	263, 265, 269	128920GT	79
119064GT	119, 125	125865GT	75, 381	128921GT	79
119065GT	321, 371	128000GT	299	128922GT	79
119066GT	369	128001GT	299	128923GT	79
119067GT	247, 253	128003GT	171	128924GT	81
119084GT	331	128004GT	187, 197, 209, 223	128925GT	79
119085GT	331	128005GT	119, 127, 321	128926GT	79
119086GT	331	128022GT	171	128927GT	81
119087GT	331	128023GT	179	128928GT	79
119088GT	331	128025GT	171	128935GT	103
119089GT	331	128045GT	103	128955GT	81
119090GT	331	128050GT	357	128984GT	171
119117GT	177, 185, 211	128200GT	95, 99, 131, 133, 289, 291	128985GT	171
119344GT	175, 207	128201GT	97, 101, 135, 289	128986GT	167
119394GT	199	128202GT	95, 97, 99, 101, 131, 133	128987GT	167
119403GT	329, 345, 371	128204GT	95, 99, 135, 289, 291, 292	128991GT	167
119404GT	343	128268GT	269	133067GT	41, 45, 49, 51, 57, 59
119536PGT	267	128322GT	361	133205GT	41, 45
119542GT	267	128323GT	361	133238GT	23, 27
119613GT	299	128423GT	161	133250GT	15, 21, 23, 27
119644GT	295	128450GT	267	133251GT	15, 23, 41, 49
119809GT	167	128454PGT	269	133252GT	21, 27, 45, 51
119915GT	299	128482GT	267	133253GT	31, 53
119974GT	277	128483GT	269	133254GT	33, 55
119975GT	277	128578GT	131, 133, 135, 289	133259GT	23, 49
119990GT	237, 243	128580GT	289, 291	133260GT	27, 51
121035GT	277	128581-SGT	289	133263GT	41, 45, 49, 51
121065GT	279	128582-SGT	291	133278GT	15, 21
121066GT	321	128584-SGT	131, 133, 135, 289, 291, 292	133387GT	57, 59
121599GT	105, 139	128588GT	171	133413GT	41, 45
121843GT	121, 129	128829GT	183	133518GT	343
121846GT	103, 137	128896GT	181	139000GT	75, 79
121847GT	121, 295	128909GT	79	139001GT	75, 79
121848GT	119, 125, 275	128910GT	79	139002GT	75, 77
122019GT	321	128911GT	81	139120GT	75
122053GT	121, 127	128912GT	79	139121GT	75



<u>Part no.</u>	<u>Page Number</u>	<u>Part no.</u>	<u>Page Number</u>	<u>Part no.</u>	<u>Page Number</u>
139122GT	75	139741GT	121, 127	147240GT	343
139125GT	75	139799GT	161	147241GT	343
139140GT	75, 77	139801GT	161, 381	147242GT	343
139179GT	75, 77, 79	139832GT	121, 127	147243GT	175, 207
139262GT	79	139833GT	121, 127	147255GT	121, 127
139288GT	259	139834GT	121, 127	147258GT	343
139308GT	111	139835GT	121, 127	147262GT	345
139309GT	111	139836GT	121, 127	147289GT	91
139315GT	111	139878GT	339	147290GT	91
139321GT	183	139919GT	365	147347GT	273
139322GT	181	139952GT	343	147355GT	167
139323GT	111	139953GT	343	147396GT	123, 129
139338GT	291	139954GT	343	147403GT	245, 251
139367GT	365	139965GT	61, 69	147404GT	365
139384GT	259	139966GT	61, 69	147405GT	365
139385GT	259	139967GT	61, 69	147418GT	365
139455GT	181	139968GT	61, 69	147419GT	303
139508GT	157	139969GT	61, 69	147429GT	343
139512GT	157	139970GT	63, 69	147455GT	139
139527GT	157	139971GT	63, 69	147504GT	261
139528GT	157	139972GT	63, 69	147525GT	177
139598GT	299	139983GT	187	147526GT	177
139621GT	177, 211	144161GT	329	147549GT	161
139622GT	175, 177, 211	146061GT	187	147550GT	161
139623GT	177, 211	146284GT	357, 367	147571GT	237, 243
139624GT	175	146285GT	367	147575GT	35, 57
139644-14B61GT	261	146478GT	289	147601GT	35, 57
139666GT	175	147033GT	63, 69	147602GT	35, 57
139709GT	177, 187, 211	147034GT	63, 69	147603GT	35, 39, 57, 59
139712GT	157	147094GT	97, 101, 135	147617GT	245
139715GT	157	147121GT	281, 285	147621GT	119, 121, 125, 127
139716GT	157	147149GT	75	147643GT	119, 125
139717GT	157	147155GT	79	147650GT	119, 127
139718GT	157	147223	89	147654GT	121, 127
139719GT	157	147223GT	85	147658GT	31, 53
139727GT	157	147228GT	343	147660GT	31, 53
139731GT	127	147229GT	343	147755GT	15, 41
139732GT	121	147230GT	343	147756GT	15, 41
139733GT	125	147231GT	343	147792GT	15, 21, 23, 27
139734GT	119	147232GT	343	147794GT	15, 21, 41
139737GT	125	147233GT	343	147826GT	171
139738GT	119	147239GT	343	147834GT	235, 241



<u>Part no.</u>	<u>Page Number</u>	<u>Part no.</u>	<u>Page Number</u>	<u>Part no.</u>	<u>Page Number</u>
147840GT	95, 99, 131	215427GT	79	219718GT	133
147842GT	237, 243	215526GT	23, 27, 49, 51	219722GT	131
160517GT	187	215527GT	23, 27	219723GT	15, 21
160689GT	167	215642GT	63, 69, 71	219953GT	59
160804GT	285	216602GT	165	219954GT	59
160809GT	285	216606GT	371	219956GT	57, 59
161141GT	141, 147	216607GT	371	219958GT	57, 59
161144GT	165	216611GT	369	219976GT	197
161145GT	165	216612GT	369	226325GT	277
161603GT	107, 215, 229	216615GT	369	226393GT	321
161607GT	111	216616GT	369	226541GT	273
161611GT	169	216617GT	371	226542GT	273
161938GT	199	216618GT	371	226940GT	81
162206GT	203, 229	216655GT	371	226941GT	81
162207GT	203, 229	216662GT	369	226942GT	81
162208GT	203, 229	216676GT	371	226943GT	81
162209GT	203, 229	216683GT	369	226944GT	81
162210GT	227	216791GT	137	226945GT	81
162283GT	221	216793GT	137	226946GT	81
162284GT	221	217043GT	103	227125GT	235, 241
214228GT	203, 229	217044GT	103	227306GT	277
214229GT	229	217045GT	103	227308GT	277
214237GT	195	217046GT	103	227785GT	71
214249GT	369	217366GT	361	228298GT	281
214536GT	371	217439GT	357	228320GT	357, 361
214620GT	361	217440GT	361	228321GT	361
214621GT	361	217480-3800GT	61, 67	228322GT	121
214622GT	361	217877GT	195	228323GT	127
214623GT	361	217930GT	197	228332GT	359
214682GT	199	217979GT	79	228457GT	169
214685GT	195	218448GT	279	228797GT	277
214686GT	197	218457GT	333	228969GT	279
214691GT	231	218549GT	39	229152GT	119, 125
214795GT	191, 217	218550GT	35, 39	229169GT	279
214934GT	199	218559GT	35, 39	229567GT	95, 97, 99, 101, 131, 289
215254GT	115	218715GT	199	229702GT	61
215340GT	63, 69, 71	219160GT	35, 39, 57, 59	229743GT	15, 23, 41, 49
215347GT	369	219243GT	165	229744GT	15, 23, 41, 49
215423GT	81	219245GT	165	229817GT	63, 69
215424GT	79	219247GT	165	229818GT	63, 71
215425GT	79	219437GT	195, 199	229845GT	333
215426GT	79	219487GT	35, 39	229931GT	63, 71



<u>Part no.</u>	<u>Page Number</u>	<u>Part no.</u>	<u>Page Number</u>	<u>Part no.</u>	<u>Page Number</u>
230329GT	261	823396GT	93	824081GT	261, 269, 341
230331GT	261	823523GT	199	824082GT	233, 239
230392	87	823656GT	15	824083GT	235, 241, 247, 253
230392GT	83	823658GT	15	824085GT	325, 359
230497GT	235, 241	823659GT	15	824086GT	173, 177, 187, 197, 211, 283
231513GT	115, 169	823751GT	223	824087GT	283, 287, 357
231529GT	227	823761GT	39	824089GT	65, 107, 183, 215, 229, 245
231532GT	115, 181	823762GT	35	824090	87
231612GT	69	823764GT	35	824090GT	83, 91, 109, 161, 169, 177
232874GT	365	823765GT	35	824091	87
233509GT	271	823917GT	125	824091GT	63, 83, 107, 161, 189, 203
235372GT	21, 27, 45, 51	823918GT	119	824092GT	199, 261, 267
235660GT	195	824019GT	295	824095GT	65, 275
236248GT	193, 219	824023GT	191, 217	824109GT	277
236251GT	193, 199, 219, 227	824025GT	183	824110GT	257, 267, 383
236259GT	203	824027	87	824113GT	61, 71, 73, 181, 277, 349
236260GT	203	824027GT	73, 83, 91, 111, 117, 169	824115GT	107
237068	89	824028	87	824116GT	267, 273, 275
237068GT	85	824028GT	83, 115, 173, 197, 223, 261	824120GT	195, 221
237188GT	191, 195, 199	824029	87	824123GT	183, 223, 229
237189GT	203	824029GT	65, 83, 93, 109, 111, 115	824124GT	331
237190GT	203	824031	87	824127GT	61, 383
237191GT	203	824031GT	83	824129GT	61, 383
237192GT	195	824032GT	113, 275, 295, 369	824132GT	169, 195
237193GT	195	824036GT	103, 137	824133GT	199, 219
237194GT	195	824037GT	351	824142GT	179, 223
237238GT	181, 221, 349	824041GT	73, 381	824144GT	169
237352GT	227	824059GT	61	824145GT	179
237832GT	169, 219	824061GT	275	824151GT	263, 265, 269, 273
238123GT	369	824063GT	71, 381	824164GT	263, 265
238347GT	185	824064GT	73, 381	824214GT	103, 139, 295
822004GT	25, 27	824066GT	343, 357	824215GT	231, 333
822048GT	121, 127	824067GT	383	824216GT	351
822131GT	25, 29	824068GT	261	824220GT	169, 195, 221
822514GT	183	824069GT	271	824226GT	103, 295
822515GT	173	824072GT	67	824546GT	235, 241
822518GT	197	824075GT	273	824547GT	277
822692GT	321	824078	87	824548GT	277
822693GT	179, 207	824078GT	83, 91, 113, 117, 199, 225	824550GT	235, 241
822781GT	191, 217	824079	89	824551GT	269
823070GT	217	824079GT	83, 111, 169, 191, 203, 215	824600GT	199, 201, 227
823356GT	93	824080GT	171, 191, 217, 349	824617GT	359

<u>Part no.</u>	<u>Page Number</u>	<u>Part no.</u>	<u>Page Number</u>	<u>Part no.</u>	<u>Page Number</u>
824673GT	193, 219	1251983GT	171, 195, 221, 227	1254654GT	191
824879GT	95, 97, 99, 101, 131, 133	1251984GT	133	1254823GT	199
824880GT	289, 291	1251985GT	133	1254826GT	175, 183, 207
825017GT	137	1251997GT	109, 177, 203, 207, 211, 235	1254874GT	281, 285
825019GT	63, 107, 263, 265, 267, 273	1252684GT	133	1255018GT	347
825020GT	275	1252685GT	133	1255019GT	347
825351GT	187, 209	1252943GT	173	1255020GT	347
825352GT	137	1252978GT	259	1255021GT	347
825353GT	109, 259, 273	1253011GT	25, 29	1255022GT	347
825355GT	175	1253185GT	169, 195, 221, 333, 335	1255023GT	347
825358GT	361	1253203GT	195	1255024GT	347
825445GT	131	1253263	87	1255025GT	347
825446GT	131	1253263GT	83	1255027GT	347
825447GT	131	1253264GT	115	1255028GT	347
825448GT	131	1253265GT	115	1255029GT	347
825449GT	131	1253270GT	115	1255030GT	123, 129
825579GT	15, 21	1253271GT	115	1255033GT	347
825674GT	65	1253319GT	223, 229	1255035GT	347
825708GT	193, 217	1253478GT	93, 115, 267, 331	1255036GT	347
825796GT	63, 249, 253, 259	1253485GT	191, 217	1255037GT	347
826008GT	197, 225	1253498GT	65, 67, 161, 185, 197, 225	1255038GT	347
826171GT	161, 365	1253629GT	15, 21	1255047GT	349
826214GT	169, 295	1253795GT	321	1255066GT	347
826215GT	169	1253796GT	321	1255067GT	347
826345GT	15, 21	1253800	89	1255068GT	347
826379GT	257	1253800GT	85	1255385GT	63, 67
826516GT	369	1253815GT	233, 239	1255389	87
826590GT	93	1253817GT	107	1255389GT	83
826791GT	267, 275	1253819	87	1255391GT	277
826792GT	267, 275	1253819GT	83	1255399GT	231
826793GT	267, 275	1253824	87	1255451GT	227
826795GT	221	1253824GT	85	1255452GT	65, 235, 241, 383
1251496GT	227	1253825	89	1255457GT	121, 127
1251508GT	191, 217	1253825GT	85	1255469	89
1251509GT	191, 217	1253827GT	107, 195, 197, 205, 215, 221	1255469GT	85, 209
1251565GT	183, 223, 229, 249, 255, 259	1253922GT	199	1255555GT	123, 129
1251567GT	203	1254267GT	199	1255581GT	15, 21, 25, 29, 43, 45...
1251600GT	281, 285, 349	1254452GT	199	1255582GT	15, 21, 43, 45
1251731GT	199	1254453GT	199	1255629GT	257
1251757GT	93, 103, 137, 295	1254594GT	191, 217	1255653GT	175, 183, 207
1251850GT	195	1254625GT	115	1255666GT	175, 185, 197, 207, 225
1251899GT	185, 207	1254639GT	237, 243	1255692GT	199

<u>Part no.</u>	<u>Page Number</u>	<u>Part no.</u>	<u>Page Number</u>	<u>Part no.</u>	<u>Page Number</u>
1255699GT	61	1256165GT	227	1257081GT	267, 273, 275
1255700GT	61	1256167GT	183	1257223GT	109
1255702GT	73	1256168GT	109	1257226	87
1255703GT	61, 67	1256169GT	223, 229	1257226GT	83
1255704GT	65	1256170GT	111	1257227GT	359
1255705GT	61	1256171GT	277	1257231GT	199
1255706GT	65	1256172GT	109, 345	1257264GT	275
1255710GT	61	1256173GT	277	1257389GT	349
1255711GT	67	1256177GT	113	1257390GT	377
1255712GT	73, 381	1256180GT	269	1257404GT	295
1255714GT	77, 381	1256182GT	63, 69, 111, 183	1257410GT	97, 101, 131
1255715GT	75	1256267GT	65, 67, 233, 239	1257417GT	297
1255720GT	111	1256283GT	177, 203, 207, 211, 227	1257421GT	197, 223
1255722GT	111	1256425GT	49, 51, 57, 59	1257628GT	115
1255758GT	183, 277	1256455GT	171	1257705GT	171
1255760GT	177, 207, 211, 235, 241	1256460GT	281, 285	1257706GT	179
1255761GT	249, 255, 257	1256467GT	73, 175, 181, 203, 381	1257810GT	171
1255763GT	115, 223	1256469	87	1257834GT	173
1255768GT	111	1256469GT	83	1257837GT	179
1255769GT	111	1256599GT	199	1257862GT	73, 381
1255770GT	111	1256670GT	159	1257863GT	261
1255771GT	111	1256679GT	109, 115, 199	1257865GT	75, 77
1255772GT	111	1256693GT	117	1257867GT	271
1255773GT	111	1256767GT	115	1257961GT	203, 231
1255782GT	259	1256771GT	115	1257993GT	357
1255802GT	73, 357	1256776GT	177, 203, 207, 211, 223, 229	1258049GT	183
1255803GT	261	1256804GT	333	1258189GT	261
1255805GT	115, 177, 189, 195, 211, 221	1256837GT	109	1258641GT	227
1255889GT	347	1256842GT	111	1258722GT	115
1255890GT	347	1256843GT	273	1258723GT	117
1255894GT	197	1256846GT	109	1258724GT	115
1255986GT	117	1256853GT	279	1258771GT	227
1255987GT	117	1256855	95, 99, 107, 131, 137, 213	1258824GT	169
1256054GT	117	1256856GT	117, 333	1259002GT	107
1256106GT	259	1256859GT	351	1259441GT	227
1256107GT	235, 241	1256863GT	109	1259583GT	333
1256108GT	383	1256864GT	67, 233, 239	1259584GT	333
1256109GT	267	1257076GT	73, 175, 181, 381	1259654GT	191
1256119GT	245, 251	1257077GT	73, 381	1259660GT	193, 219
1256122GT	259	1257078GT	67	1259717GT	191
1256126GT	107	1257079GT	237, 243	1259855	87
1256127GT	109, 113, 115, 117, 269	1257080GT	237, 243	1259855GT	83, 109, 215

<u>Part no.</u>	<u>Page Number</u>	<u>Part no.</u>	<u>Page Number</u>	<u>Part no.</u>	<u>Page Number</u>
1260084GT	63, 69	1261837GT	115	1262897GT	191, 217
1260107GT	15, 21, 25, 29, 43, 45...	1261844GT	123, 129	1262899GT	193, 219
1260112GT	83	1261920GT	225	1263141GT	71
1260113GT	83	1261921GT	221	1263187GT	91
1260162GT	117	1261925GT	227	1263542GT	43, 45, 49, 51
1260163GT	113	1261926GT	227	1264822GT	119, 125
1260174GT	109, 215	1261928GT	227	1264834GT	119, 125
1260357GT	193, 217	1262331GT	233, 239	1264934GT	351
1260979GT	333	1262342GT	37, 39	1265019GT	271
1261001GT	333	1262343GT	59	1267807GT	107, 215, 229
1261184GT	351	1262344GT	15	1268010GT	221
1261240GT	203	1262345GT	15	1268229GT	107
1261244GT	115	1262346GT	15, 21	1268376GT	233, 239
1261245GT	115	1262347GT	21	1268377GT	233, 239
1261266GT	113, 117	1262348GT	15, 21	1269497GT	297
1261277	87	1262828GT	223	1269498GT	297
1261277GT	83, 107, 115	1262829GT	223	1269499GT	299
1261292GT	123, 129	1262832GT	223	1269500GT	299
1261293GT	123, 129	1262833GT	231	1269693GT	343
1261294GT	119, 125	1262837GT	221	1270116GT	347
1261295GT	121, 127	1262838GT	223	1270117GT	347
1261296GT	121, 127	1262839GT	221	1270118GT	347
1261297GT	123, 129	1262841GT	221	1270151GT	109
1261298GT	123, 129	1262842GT	197, 223	1270348GT	65
1261346GT	97, 101	1262866GT	193, 219	1270350GT	75
1261389GT	81	1262867GT	193, 219	1270351GT	77
1261390GT	81	1262868GT	193, 217	1270570GT	355
1261391GT	81	1262870GT	191	1270571GT	355
1261392GT	81	1262871GT	191	1271076GT	95, 99
1261393GT	81	1262872GT	191	1271081GT	377
1261394GT	81	1262873GT	193, 219	1271280GT	343
1261414GT	57	1262875GT	191	1271313-2200GT	359
1261415GT	57	1262876GT	193, 219	1271398GT	357
1261416GT	57	1262877GT	193, 219	1271713GT	299
1261566GT	97, 101	1262878GT	193, 219	1271757GT	335
1261568GT	107	1262881GT	193, 217	1271772GT	93
1261724	87	1262883GT	193, 219	1271773GT	93
1261724GT	83, 109, 215	1262890GT	191	1271914GT	281
1261737GT	37	1262893GT	193, 219	1271915GT	281
1261738GT	37	1262894GT	193, 217, 219	1271945GT	349
1261739GT	37	1262895GT	193, 217	1272242GT	43, 47
1261836GT	115	1262896GT	191, 217	1272536GT	163

<u>Part no.</u>	<u>Page Number</u>	<u>Part no.</u>	<u>Page Number</u>	<u>Part no.</u>	<u>Page Number</u>
1272624GT	191	1278363GT	351	1283888GT	245, 257
1273323GT	365	1278368GT	351	1284147GT	245, 251
1273342GT	91	1278416GT	351	1284148GT	245, 251
1273343GT	91	1278433GT	351	1284165GT	245, 251
1273345GT	113	1278458GT	351	1284741GT	271
1273918GT	223	1278471GT	359	1285506GT	161
1273919GT	221	1278494GT	357	1285850GT	351
1274135	89	1278542GT	351	1285854GT	245, 251
1274135GT	85	1278643GT	23, 27	1285871GT	233, 239
1274168GT	351	1278790GT	375	1285950GT	43, 47
1274322GT	227, 229, 351, 383	1278791GT	375	1285952GT	43, 47
1274331GT	93	1278792GT	373, 375	1285958GT	43, 47
1274511GT	267	1278793GT	373, 375	1285960GT	43, 47
1274613GT	69	1279012GT	375	1286043GT	161
1274826GT	117	1279243GT	375	1286774GT	237, 243
1274827GT	115	1279244GT	375	1287194GT	219
1274900GT	199	1279465GT	109	1287261GT	217
1274969GT	299	1279466GT	109	1287262GT	219
1274970GT	299	1279564GT	25, 29	1287263GT	229
1274971GT	299	1279631GT	193, 219	1287434GT	157
1275088GT	285	1279653GT	193, 217	1287812GT	79
1275537GT	347	1279698GT	61	1287813GT	79
1275538GT	349	1279699GT	61	1288340GT	219
1275539GT	347	1279881GT	119, 125	1288341GT	219
1275540GT	349	1280590GT	181	1288342GT	229
1275747GT	161	1280591GT	181	1288460GT	217
1276672GT	359	1280705GT	357	1288461GT	221
1276694GT	357	1280819GT	17, 21	1288561GT	175
1276986GT	359	1280820GT	17, 21	1289117GT	107, 195, 197, 203, 215
1277172GT	295	1282119GT	201	1289119GT	269
1277873GT	351	1282181GT	71	1289520GT	377
1277875GT	351	1282204GT	373	1289521GT	377
1277876GT	351	1282205GT	373	1289522GT	377
1277877GT	351	1282206GT	373	1289523GT	377
1277924GT	231, 331, 335, 351, 379	1282207GT	373	1289552GT	287
1277974GT	191	1282310GT	373	1289895GT	191
1278111GT	351	1282390GT	373, 375	1291495GT	355
1278119GT	351	1283442GT	245, 257	1291496GT	355
1278124GT	351	1283533GT	71	1292977GT	377
1278138GT	351	1283783GT	381	1293343GT	281, 285
1278144GT	353	1283785GT	383	1293344GT	269
1278202GT	121, 127	1283847GT	381	1293787GT	307



<u>Part no.</u>	<u>Page Number</u>	<u>Part no.</u>	<u>Page Number</u>	<u>Part no.</u>	<u>Page Number</u>
1293788GT	307	T108732GT	187		
1295334GT	171, 177, 203, 207, 211	T108733GT	187		
1296262GT	35, 39	T108734GT	187		
1296264GT	57, 59	T108886GT	121, 127		
1296721GT	297	T109350GT	295		
1299532	87	T111124GT	263, 265, 269, 273		
1299535GT	233	T112459GT	261		
1299979GT	279	T112560GT	329		
1299980GT	279	T112561GT	329		
1299981GT	277	T112626GT	299		
1302962GT	233, 239	T112773GT	37, 39, 57, 59		
1304981GT	379	T114223GT	277		
1305593GT	379	T114624GT	123, 129		
1306670GT	85, 89	T114625GT	123		
1306679GT	85, 89	T114626GT	129		
1307200GT	377	T114627GT	123, 129		
9990606GT	161	T114678GT	175, 181		
9990607GT	161				
9990608GT	161				
T106413GT	237, 243				
T106425GT	107				
T106482GT	95, 99				
T106495GT	95, 99				
T106508GT	237, 243				
T106600GT	123, 129				
T106741GT	123, 129				
T106954GT	111				
T106955GT	111				
T106957GT	111				
T106961GT	111				
T106962GT	111				
T107130GT	123, 129				
T107520GT	95, 99, 131, 295				
T107829GT	83, 87				
T107895GT	335				
T108075GT	263, 265, 269, 273				
T108076GT	267				
T108077GT	267				
T108321GT	121, 127				
T108322GT	123, 129				
T108415GT	121, 127				
T108416GT	123, 129				



California Proposition 65



Operating, servicing and maintaining this equipment, passenger vehicle or off-highway motor vehicle can expose you to chemicals including engine exhaust, carbon monoxide, phthalates, and lead, which are known to the State of California to cause cancer and birth defects or other reproductive harm. These chemicals can be emitted from or contained in other various parts and systems, fluids and some component wear by-products. To minimize exposure, avoid breathing exhaust, do not idle the engine except as necessary, service your equipment and vehicle in a well-ventilated area and wear gloves or wash your hands frequently when servicing your equipment or vehicle and after operation. For more information go to www.P65Warnings.ca.gov/passenger-vehicle.

Breathing diesel engine exhaust exposes you to chemicals known to the State of California to cause cancer and birth defects or other reproductive harm.

- Always start and operate the engine in a well-ventilated area.
- If in an enclosed area, vent the exhaust to the outside.
- Do not modify or tamper with the exhaust system.
- Do not idle the engine except as necessary.

For more information go to www.P65warnings.ca.gov/diesel.

www.genielift.com

Distributed By:

Parts Manual
S-60, S-65, S-60X, S-65TRAX

from S6016D-397 to S6016D-639
from S60D-640
from S60TXD-651

Part No.
1271406GT

Rev A11

