

Pandora

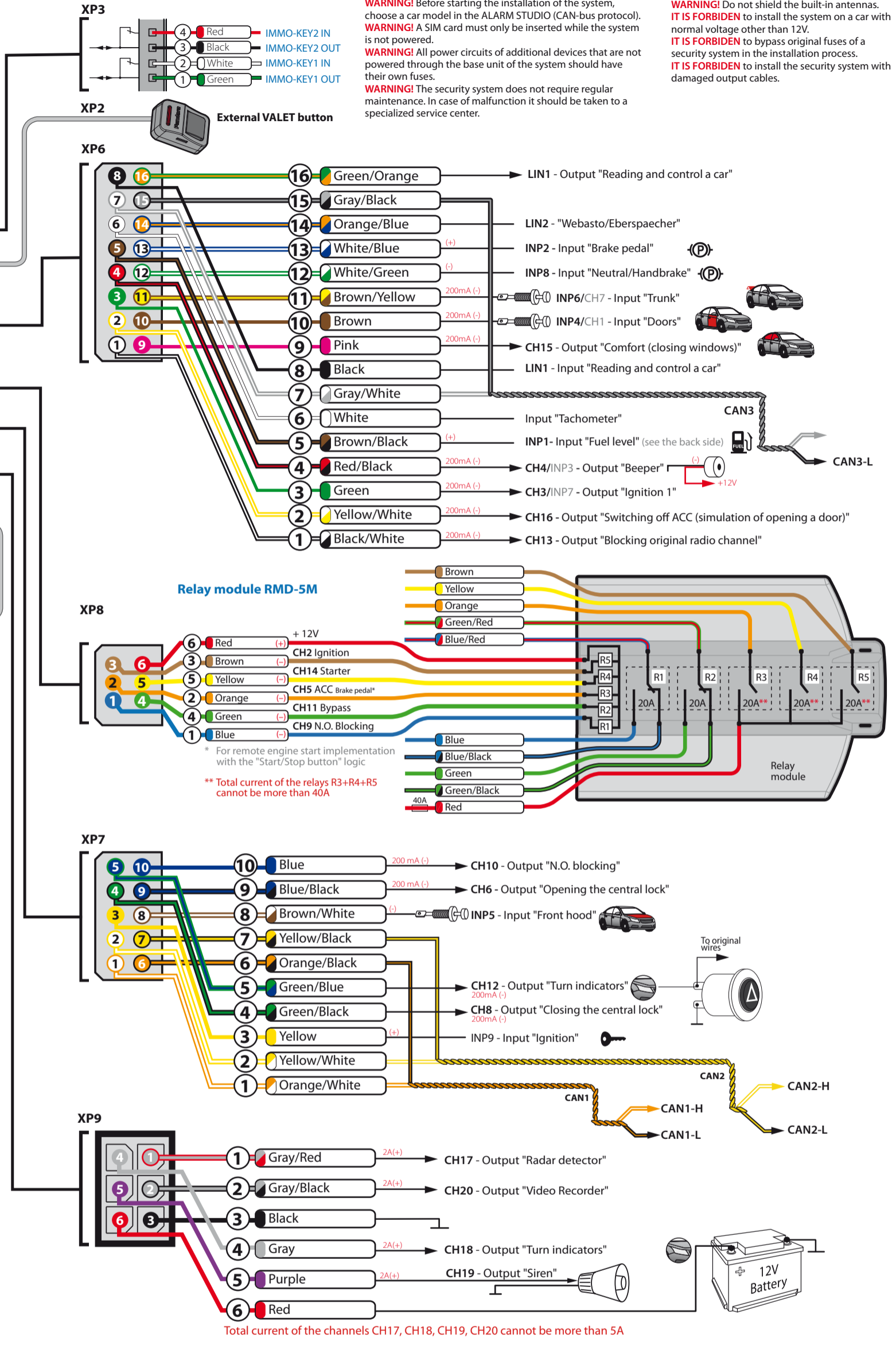
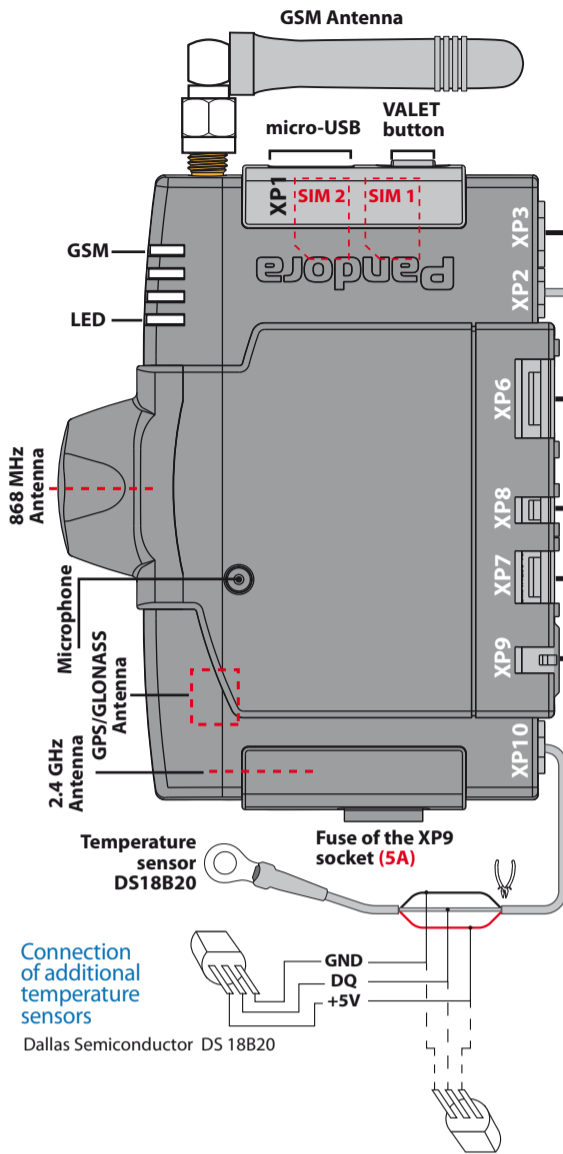
model: PROFESSIONAL v2

Warning! XP3 is a multifunctional IMMO-KEY port. It is used only for bypass of an original immobilizer. It connects in accordance with an installation manual from the Pandora Alarm Studio.

WIRING DIAGRAM

WARNING! Before starting the installation of the system, choose a car model in the ALARM STUDIO (CAN-bus protocol).
WARNING! A SIM card must only be inserted while the system is not powered.
WARNING! All power circuits of additional devices that are not powered through the base unit of the system should have their own fuses.
WARNING! The security system does not require regular maintenance. In case of malfunction it should be taken to a specialized service center.

WARNING! Do not shield the built-in antennas.
IT IS FORBIDDEN to install the system on a car with normal voltage other than 12V.
IT IS FORBIDDEN to bypass original fuses of a security system in the installation process.
IT IS FORBIDDEN to install the security system with damaged output cables.



Programming menu

Level 1	Recording remote controls (D800/D670/D030/R465)/radio tags (BT760)
Level 2	Changing the factory preset of the service PIN-code
Level 3	Recording the idle speed (rpm) to the system memory
Level 4	Resetting to the factory settings
Level 5	Recording a Bluetooth engine compartment module (RHM-03BT)
Level 6, 7	Recording Bluetooth radio relays №1, №2 (BTR-101)
Level 8	Recording a Bluetooth GPS/GLONASS receiver (NAV-035BT)
Level 11	Programming and configuring an "Immobilizer PIN-code"
Level 15	Emergency deactivating immobilizer radio tags
Level 16	Updating firmware of the built-in Bluetooth modem
Level 17	Programming bypass of an original immobilizer
Level 18	Pairing and unpairing a mobile device
Level 19, 20	Updating firmware of radio relays №1, №2 (BTR-101)
Level 21	Updating firmware of an engine compartment module (RHM-03BT)
Level 22	Updating firmware of a GPS/GLONASS receiver (NAV-035BT)
Level 23, 24	Recording door sensors №1, №2 (DMS-100BT)
Level 25, 26	Updating firmware of door sensors №1, №2 (DMS-100BT)
Level 27	Recording additional modules (DI-04, BT-01)
Level 28	Updating firmware of additional modules (DI-04/BT-01)

EXAMPLES OF RECORDING ADDITIONAL DEVICES

WARNING! The additional devices that are included in the system set have been already recorded in the system memory (see the "System set" section of the user manual).

To record additional devices, enter a required level of the programming menu. Perform a recording procedure in accordance with a device manual. To save the recorded device, press the VALET button once. The series of red and green flashes of the LED indicator will confirm saving.

Level 1 – Recording remote controls and radio tags

Recording remote controls (D800/D670/D030/R465):
 Press and hold three buttons of a remote control (arm/disarm/F) simultaneously for 1 second (until a short beep from the main remote control or until fading a LED of an additional remote control), then release the buttons. If recording was successful, the main remote control will emit 2 short beeps and a siren of the base unit will emit 1 beep. After this you can move to recording the next remote control or radio tag.

Recording a radio tag (BT760):

Press the control button on a tag and hold it for 6 seconds (6 flashes of the tag status indicator), release the button after the sixth flash. If

the recording was successful, a siren will emit 1 beep, after this you can move to recording the next tag.

Level 5 – Recording a Bluetooth engine compartment module (RHM-03 BT)

- Connect the wire 4 ("LIN output/Programming") and wire 5 ("Ground"). Connect them to a grounded spot of a car.
- Apply +12V to the wire 7 ("Power supply of the module").
- The system will confirm recording of the module to the system memory with 1 beep of the siren.
- Disconnect the wire 4 ("LIN output/Programming") from the wire 5 and insulate it.

Level 6, 7 – Recording Bluetooth radio relays №1, №2 (BTR-101)

- Connect the wire 1 ("Ground") to a grounded spot of a car.
- Connect the wire 3 ("Programming") and wire 4 ("Power supply of the radio relay"). Connect them to +12V.
- The system will confirm recording of the radio relay to the system memory with 1 beep of the siren.
- Disconnect the wire 3 ("LIN output/Programming") from the wire 4 and insulate it.

Level 8 – Recording a Bluetooth GPS/GLONASS receiver (NAV-035BT)

- Connect the wire 2 ("Ground") to a grounded spot of a car.
- Apply +12V to the wire 1 ("Power supply of the receiver").
- The system will confirm recording of the receiver to the system memory with 1 beep of the siren.

Level 18 – Pairing and unpairing a mobile device

Pairing mobile device:
 The LED indicator will light green after entering the level. Open the mobile application, press the "Search device" button. The application will search for the system via Bluetooth connection. Select the found system, the system and the mobile device will be automatically paired. The system will confirm pairing with a sound signal of the siren and a red light of the LED indicator.

Unpairing mobile device:
 The LED indicator will light red after entering the level. Press the VALET button and hold it for more than 4 seconds, release the button. The system will confirm deleting with the series of sound signals of the siren and the system will return to mobile device registration mode (the LED indicator will light green).

Level 23,24 – Recording door sensors №1, №2 (DMS-100BT)

- Insert a battery in the sensor.
- The system will confirm recording of the sensor to the system memory with 1 beep of the siren.

Level 27 – Recording additional modules (DI-04, BT-01)

Recording a radio module (DI-04):
 • Connect power supply of the module.
 • Press and hold the "VALET DI" button for 6 seconds. Release the button after the sixth flash of the "LED DI".
 • The system will confirm recording of the module to the system memory with 1 beep of the siren.

Recording a radio relay (BT-01):
 • Connect the wire 5 ("Ground") to a grounded spot of a car.
 • Apply +12V to the wire 1 ("Power supply of the relay").
 • The system will confirm recording of the module to the system memory with 1 beep of the siren.

