



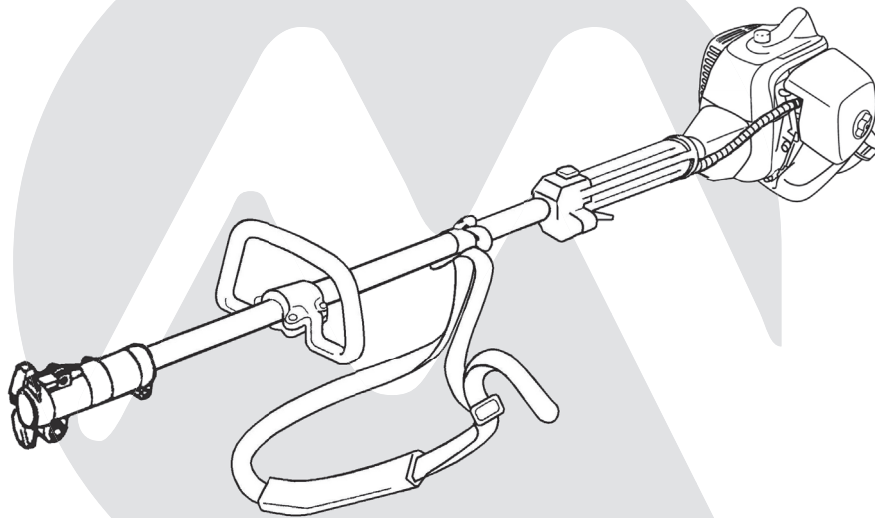
MARUYAMA®

**OWNER'S/OPERATOR'S MANUAL
MANUAL DEL PROPIETARIO U OPERADOR
MANUEL DU PROPRIETAIRE/DE L'UTILISATEUR**

Multi-Cutter

Power Unit/Grupo Motor/Bloc Moteur

M27QC/M30QC



SINCE 1979

precisionusa.com
YOUR GOLF COURSE SUPERMARKET

800-345-1960

The POWER in Outdoor Power

Completely read and understand this manual PRIOR to using this product.

Lea y entienda este manual a fondo, ANTES de usar este producto.

Lisez complèment et comprenez ce manuel AVANT d'utiliser ce produit.



Limited Warranty Statement

All Maruyama commercial/ industrial products are warranted to the original purchaser to be free from defects in material and workmanship **from the date of purchase** for the time periods listed as follows:

Lifetime for solid steel driveshaft and ignition coils.

5 years for qualified IRON 5-YR™ commercial, institutional, or industrial use.

1 year for residential or **2 years** for commercial use with competitor's oil.

90 days for rental use.

Engine - Refer to engine manufacturer's warranty statement. Only Maruyama engines are covered by this limited warranty statement.

Any part of a Maruyama product found to be defective within the applicable warranty period shall, at Maruyama's option, be repaired or replaced without charge. Warranty consideration is obtained by delivering any Maruyama product believed to be defective to an Authorized Maruyama Servicing Dealer within the applicable warranty period.

The purchaser shall not be charged for diagnostic labor that leads to the determination that a warranted part is defective, if the diagnostic work is performed at a Maruyama Dealer.

Any warranted part which is not scheduled for replacement as required maintenance, or which is scheduled only for regular inspection to the effect of "repair or replace as necessary" shall be warranted for the warranty period. Any warranted part, which is scheduled for replacement as, required maintenance shall be warranted for the period of time up to the first scheduled replacement point for that part. Maruyama Mfg. Co., Inc. is liable for damages to other engine components caused by the failure of a warranted part still under warranty.

The purchaser is responsible for the performance of the required maintenance, as defined by Maruyama Mfg. Co., Inc. in the Owner's/Operator's Manual.

EMISSION-RELATED PARTS WARRANTY: In addition to the above warranty coverage, Maruyama Mfg. Co., Inc. will repair or replace, free of charge, for the original purchaser and each subsequent purchaser any emission-related part or parts found to be defective in material and workmanship for two (2) years from original retail delivery date. **Emission-related parts are the carburetor assembly, the ignition coil assembly, the ignition rotor, the spark plug, the catalytic converter and the fuel tank.** Any replacement part that is equivalent in performance and durability may be used in non-warranty maintenance or repairs, and shall not reduce the warranty obligations of Maruyama Mfg. Co., Inc.

This warranty does not cover the following:

1. Maintenance items (excluding defects in materials and workmanship) including hoses, spark plugs, starter rope, air and fuel filters, clutch shoes, vibration isolators, throttle cables and all cutting attachments, etc.
2. Extra expenses including shipping and handling, travel, payment for lost time or pay and for any inconvenience and storage.
3. Alterations or modifications including aftermarket parts not authorized by Maruyama U.S., Inc.
4. Wear, accident, abuse, neglect, misuse, negligence, improper fuels, lubricants, fuel mixtures (when applicable), or failure to operate or maintain the product in accordance with instructions approved by Maruyama.

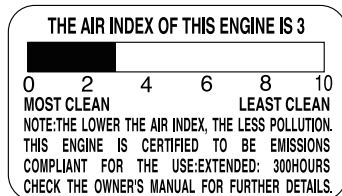
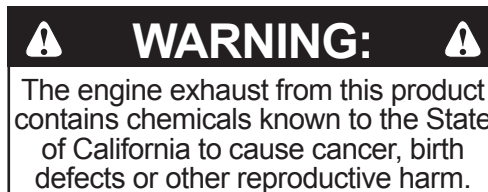
Repair or replacement as provided under this warranty is the exclusive remedy of the consumer. Maruyama shall not be liable for any incidental or consequential damages for breach of any express or implied warranty on these products except to the extent prohibited by applicable law. Any implied warranty of merchantability or fitness for a particular purpose on these products is limited in duration to the warranty period as defined in the limited warranty statement. Maruyama reserves the rights to change or improve the design of the product without notice and does not assume obligation to update previously manufactured products.

This warranty provides you with specific legal rights, which may vary from state to state.

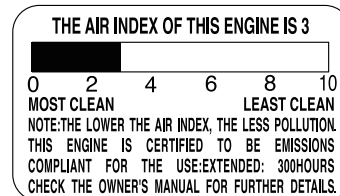
It is the Owner's and Dealer's responsibility to make sure the Warranty Registration Card is properly filled out and mailed to Maruyama U.S., Inc. Proof of purchase and registration will be required in order to obtain warranty service.

To locate an Authorized Maruyama Servicing Dealer nearest you, contact:

Maruyama U.S., Inc.
4770 Mercantile Drive, suite100,
Fort Worth, TX 76137 U.S.A.
(940)383-7400
maruyama@maruyama-us.com
www.maruyama-us.com



M27QC



M30QC

FEDERAL EMISSION CONTROL WARRANTY STATEMENT YOUR WARRANTY RIGHTS AND OBLIGATIONS

The U.S. Environmental Protection Agency (EPA), and Maruyama Manufacturing Company, Inc. are pleased to explain the **emission control system warranty** on your small off-road engine. New 1997 and later model year small off-road engines must be designed, built and equipped, at the time of sale, to meet the U.S. EPA regulations for small off-road engines. The equipment engine must be free from defects in materials and workmanship which cause it to fail to conform with U.S. EPA standards for the first two years of engine use from the date of sale to the ultimate purchaser. Maruyama Manufacturing Company, Inc. must warrant the emission control system on your small off-road engine for the period of time listed above provided there has been no abuse, neglect or improper maintenance of your small off-road engine.

Emission durability of 300 hours.

Your emission control system may include parts such as the carburetor or fuel injection system, the ignition system, and catalytic converter. Also included may be hoses, belts, and connectors and other emission related assemblies.

Where a warrantable condition exists, Maruyama Manufacturing Company, Inc. will repair your small off-road engine at no cost to you, including diagnosis (if the diagnostic work is performed at an authorized dealer), parts, and labor.

MANUFACTURER'S WARRANTY COVERAGE:

The 1997 and later model year small off-road engines are warranted for two years. If any emission-related part on your engine is defective, the part will be repaired or replaced by Maruyama Manufacturing Company, Inc. free of charge.

OWNER'S WARRANTY RESPONSIBILITIES:

(a) As the small off-road engine owner, you are responsible for the performance of the required maintenance listed in your owner's/operator's manual.

Maruyama Manufacturing Company, Inc. recommends that you retain all receipts covering maintenance on your small off-road engine, but Maruyama Manufacturing Company, Inc. cannot deny warranty solely for the lack of receipts or for your failure to ensure the performance of all scheduled maintenance. Any replacement part or service that is equivalent in performance and durability may be used in non-warranty maintenance or repairs, and shall not reduce the warranty obligations of the engine manufacturer.

- (b) As the small off-road engine owner, you should be aware, however, that Maruyama Manufacturing Company may deny you warranty coverage if your small off-road engine or a part has failed due to abuse, neglect, improper maintenance or unapproved modifications.
- (c) You are responsible for presenting your small off-road engine to a Maruyama Manufacturing Company, Inc. service center as soon as a problem exists. The warranty repairs should be completed in a reasonable amount of time, not to exceed 30 days.

If you have any questions regarding your warranty rights and responsibilities, you should contact Maruyama U.S., Inc. at **1-866-783-7400**, or warranty@maruyama-us.com.

COVERAGE

Maruyama Manufacturing Company, Inc. warrants to the ultimate purchaser and each subsequent purchaser that your small off-road engine will be designed, built and equipped, at the time of sale, to meet all applicable regulations. Maruyama Manufacturing Company, Inc. also warrants to the initial purchaser and each subsequent purchaser that your small off-road engine is free from defects in materials and workmanship which cause the engine to fail to conform with applicable regulations for a period of two years.

The 1997 and later model years, EPA requires manufacturers to small off-road engines for two years. These warranty periods will begin on the date the small off-road engine is purchased by the initial purchaser. If any emission-related part on your engine is defective, the part will be replaced by Maruyama Manufacturing Company, Inc. at no cost to the owner.

Maruyama Manufacturing Company, Inc. shall remedy warranty defects at any authorized Maruyama Manufacturing Company, Inc. engine dealer or warranty station. Any authorized work done at an authorized dealer or warranty station shall be free of charge to the owner if such work determines that a warranted part is defective. Any manufacturer-approved or equivalent replacement part may be used for any warranty maintenance or repairs on emission-related parts, and must be provided free of charge to the owner if the part is still under warranty, Maruyama Manufacturing Company, Inc. is liable for damages to other engine components caused by the failure of a warranted part still under warranty.

EPA considers emission-related warranted parts to include all the parts listed below. These warranted parts are: **the carburetor assembly, the ignition coil assembly, the ignition rotor, the spark plug, the catalytic converter, and the fuel tank.**

MAINTENANCE REQUIREMENTS

The owner is responsible for the performance of the required maintenance as defined by the Maruyama Manufacturing Company, Inc. in the owner's/operator's manual.

LIMITATIONS

This Emission Control System Warranty shall not cover any of the following:

- (a) repair or replacement required because of misuse or neglect, lack of required maintenance, repairs improperly performed or replacements not conforming to Maruyama Manufacturing Company, Inc. specifications that adversely affect performance and/or durability, and alterations or modifications not recommended or approved in writing by Maruyama Manufacturing Company, Inc., and
- (b) replacement of parts and other services and adjustments necessary for required maintenance at and after the first scheduled replacement point.

CALIFORNIA EMISSION CONTROL WARRANTY STATEMENT

YOUR WARRANTY RIGHTS AND OBLIGATIONS

The California Air Resources Board (CARB), and Maruyama Manufacturing Company, Inc. are pleased to explain the emission control system warranty on your 2015 small off-road engine. In California, new small off-road engines must be designed, built and equipped to meet the State's stringent anti-smog standards. Maruyama Manufacturing Company, Inc. must warrant the emission control system on your small off-road engine for the period of time listed above provided there has been no abuse, neglect or improper maintenance of your small off-road engine.

Your emission control system may include parts such as the carburetor or fuel injection system, the ignition system, and catalytic converter. Also included may be hoses, belts, and connectors and other emission related assemblies.

Where a warrantable condition exists, Maruyama Manufacturing Company, Inc. will repair your small off-road engine at no cost to you, including diagnosis, parts, and labor.

MANUFACTURER'S WARRANTY COVERAGE:

The 1995 and later small off-road engines are warranted for two years. If any emission-related part on your engine is defective, the part will be repaired or replaced by Maruyama Manufacturing Company, Inc.

OWNER'S WARRANTY RESPONSIBILITIES:

- (a) As the small off-road engine owner, you are responsible for the performance of the required maintenance listed in your owner's/operator's manual.
Maruyama Manufacturing Company, Inc. recommends that you retain all receipts covering maintenance on your small off-road engine, but Maruyama Manufacturing Company, Inc. cannot deny warranty solely for the lack of receipts or for your failure to ensure the performance of all scheduled maintenance
- (b) As the small off-road engine owner, you should be aware, however, that Maruyama Manufacturing Company may deny you warranty coverage if your small off-road engine or a part has failed due to abuse, neglect, improper maintenance or unapproved modifications.
- (c) You are responsible for presenting your small off-road engine to a Maruyama Manufacturing Company, Inc. distribution center as soon as a problem exists. The warranty repairs should be completed in a reasonable amount of time, not to exceed 30 days.

If you have any questions regarding your warranty rights and responsibilities, you should contact Maruyama U.S., Inc. at **1-866-783-7400**, or warranty@maruyama-us.com.

Emission System Parts

Exhaust Emission

Carburetor

Muffler

Catalytic Converter

Ignition Coil / Magneto

Spark Plug

Air Filter

EGR Valve (piston)

Fuel Filter

Evaporative Emission

Fuel Tank

Contents

	Page US-		Page US-
Limited Warranty Statement	1	Maintenance.....	18
FEDERAL EMISSION CONTROL	3	Idle Speed Adjustment.....	18
CALIFORNIA EMISSION CONTROL.....	5	Air Filter	19
Contents	6	Fuel Filter	19
Introduction.....	7	Spark Plug.....	20
Safety	7	Cylinder Cooling Fins	20
Operator Safety	7	Spark Arrester	20
Multi - Cutter with Tool Attachments Safety	8	Exhaust Muffler	21
Fuel Safety	8	General Cleaning and Tightening	22
Multi - Cutter with Tool Attachments		Storage	23
Operating Safety.....	9	Troubleshooting	24
Safety and Instruction Decals	12	Maintenance Period	24
Product Description	12	Specifications.....	25
Assembly	13	Tool Attachments	25
Loop Handle Installation	13		
Attaching and Detaching for the Power Unit			
and the Shaft Assembly	13		
Attaching Strap	14		
Before Operation.....	15		
Oil and Fuel	15		
Mixing Gasoline And Oil	16		
Starting And Stopping	17		

Introduction

Thank you for purchasing a MARUYAMA product.

MARUYAMA, its distributors, and dealers want you to be completely satisfied with your new product. Please feel free to contact your local Authorized Service Dealer for help with service, genuine MARUYAMA parts, or other information you may require.

Whenever you contact your Authorized Service Dealer or the factory, always know the serial number of your product. This number will help the Service Dealer or Service Representative provide exact information about your specific product. You will find the model and serial number located in a unique place on the product (Product Description on page US-12).

For your convenience, write the product model name and serial number in the space below.

Model Name _____
Serial No. _____

Read this manual carefully to learn how to operate and maintain your product correctly. Reading this manual will help you and others avoid personal injury and damage to the product. Although MARUYAMA designs, produces and markets safe, state of the art products, you are responsible for using the product properly and safely. You are also responsible for training persons who you allow to use the product about safe operation.

The MARUYAMA warning system in this manual identifies potential hazards and has special safety messages that help you and others avoid personal injury, even death. DANGER, WARNING and CAUTION are signal words used to identify the level of hazard. However, regardless of the hazard, be extremely careful.

DANGER signals an extreme hazard that will cause serious injury or death if the recommended precautions are not followed.

WARNING signals a hazard that may cause serious injury or death if the recommended precautions are not followed.

CAUTION signals a hazard that may cause minor or moderate injury if the recommended precautions are not followed. Two other words are also used to highlight information. “Important” calls attention to special mechanical information and “Note” emphasizes general information worthy of special attention.

Safety

Operator Safety

1. Read and understand this Owner’s/Operator’s Manual before using this product. Be thoroughly familiar with the proper use of this product.
2. Never allow children to operate the Multi-Cutter. It is not a toy. Never allow adults to operate the unit without first reading the Owner’s/Operator’s Manual.
3. Always wear eye protection that complies with ANSI (American National Standards Institute) Z87-1.



4. Always wear hearing protection.



5. Always wear heavy, long pants, a long sleeved shirt, boots and gloves. Do not wear loose clothing, jewelry, short pants, sandals, or go barefoot. Secure hair so it is above shoulder length.
6. Never operate this Multi-Cutter when you are tired, ill, or under the influence of alcohol, drugs or medication.
7. Never start or run the engine inside a closed room or building. Breathing exhaust fumes can cause death.



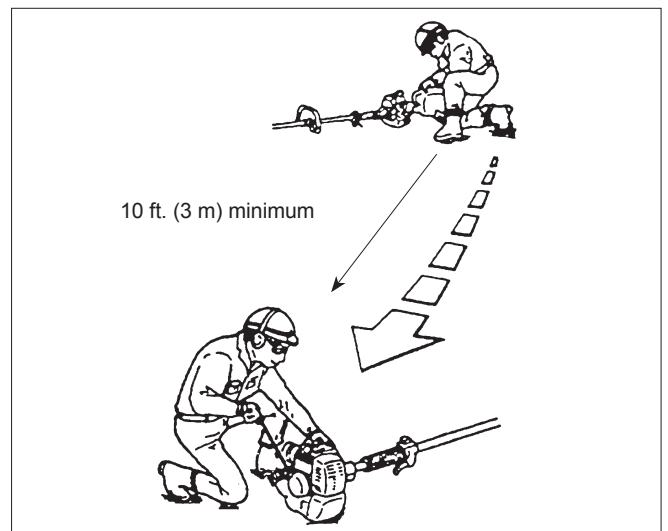
8. Keep handles clean of oil, fuel and dirt.

Multi-Cutter with Tool Attachments Safety

1. Make sure the Unit is assembled correctly and that the tool attachment is correctly installed and securely fastened as instructed in the Assembly section.
2. Inspect the Unit before each use. Replace damaged parts. Check for fuel leaks. Make sure all fasteners are in place and tightened securely. Follow the maintenance instructions beginning on page US-18.
3. Make sure the tool attachment does not rotate at engine idle speed. Refer to Idle Speed Adjustment, page US-18.
4. Inspect the tool attachment head and replace any parts that are cracked, chipped or damaged before using the Multi-Cutter.
5. Install all required shields and guards prior to operating the Multi-Cutter or its attachments. **Note: Remove blade cover from Hedge Trimmer attachments prior to operation.**
6. Never use a tool attachment head or replacement parts that are not approved by MARUYAMA.
7. Maintain the Multi-Cutter power unit and tool attachments according to the recommended maintenance intervals and procedures in the Maintenance section on page US-18.
8. Shut off the engine and wait until the tool attachment head has completely stopped moving before checking, performing maintenance on or working on the Multi-Cutter.
9. If running problems or excessive vibration occur, stop immediately and inspect the unit for the cause. If the cause cannot be determined or is beyond your ability to correct, return the Multi-Cutter with tool attachment to your servicing dealer for repair.

Fuel Safety

1. Gasoline is highly flammable and must be handled and stored carefully. Use a container approved for fuel to store gasoline and/ or fuel/ oil mixture.
2. Mix and pour fuel outdoors, where there are no sparks or flames.
3. Do not smoke near fuel or Multi-Cutter, or while using the Multi-Cutter.
4. Do not overfill the fuel tank. Stop filling 1/4-1/2 in. (6 mm-13 mm) from the top of the tank.
5. Wipe up any spilled fuel before starting the engine.
6. Move the Multi-Cutter at least 10 ft. (3 m) away from the fueling location before starting the engine.

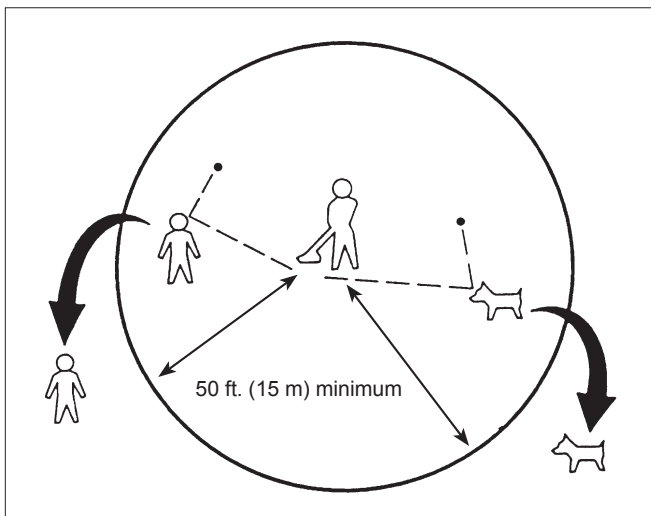


7. Do not remove the fuel tank cap while the engine is running, or right after stopping the engine.
8. Allow the engine to cool before refueling.
9. Drain the tank and run the engine dry before storing the unit.
10. Store fuel and Multi-Cutter away from open flame, sparks and excessive heat. Make sure fuel vapors cannot reach sparks or open flames from water heaters, furnaces, electric motors, etc.

Multi-Cutter with Tool Attachments Operating Safety

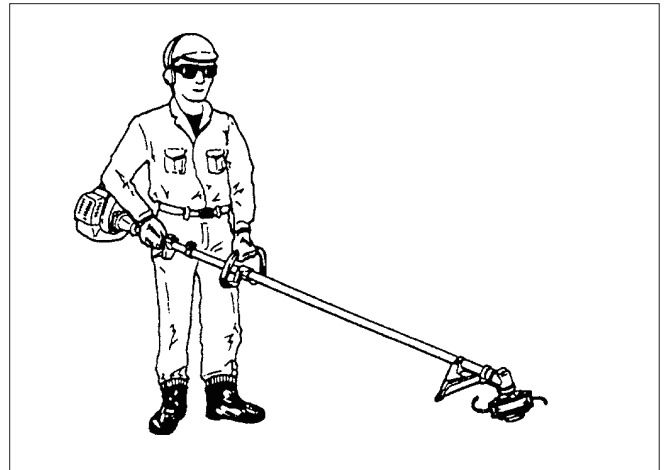
String Trimmer Operating Safety

1. THIS STRING TRIMMER CAN CAUSE SERIOUS INJURIES. Read the instructions carefully. Be familiar with all controls and the proper use of the String Trimmer.
2. Inspect your work area before you begin. Remove objects such as broken glass, nails, wire and rocks which can become dangerous projectiles if thrown by the Trimmer. Remove string, rope or similar materials which can become entangled in the Trimmer head.
3. This Trimmer will throw objects and cut. Keep children, bystanders and animals outside a 50 ft.(15m) radius from the operator and Trimmer. Beyond the 50 ft. (15 m) there still may be a risk of injury to bystanders from thrown objects. It is recommended that bystanders wear eye protection. A thrown object can ricochet.



4. If you are approached while operating the Trimmer, stop the engine and Trimmer head rotation.
5. Never allow children to operate the Trimmer.
6. Use the Trimmer only in daylight or good artificial light.
7. Never operate the Trimmer without proper guards or other protective safety devices in place.

8. Use only flexible, non-metallic, monofilament cutting line of the correct diameter. Never use wire rope, string, etc.
9. Always keep the Trimmer on the right side of your body.
10. Do not raise the Trimmer head above waist level.
11. Do not put hands or feet near or under any rotating parts. Keep clear at all times. Keep all parts of your body away from the rotating Trimmer head and hot surfaces such as the muffler.
12. Keep firm footing and balance. Do not overreach.
13. Use the right tool for the job. Do not use the Trimmer for any job that is not recommended by MARUYAMA.



Edger Operating Safety

1. THIS EDGER CAN CAUSE SERIOUS INJURIES. Read the instructions carefully. Be familiar with all controls and the proper use of the Edger.
2. Make sure the 3 mm hex wrench has been removed from the gearcase and boss adapter before you start the engine.
3. Inspect your work area before you begin. Remove objects such as broken glass, nails, wire and rocks which can become dangerous projectiles if thrown by the Edger. Remove string, rope or similar materials which can become entangled in the Edger head.
4. This Edger will throw objects and cut. Keep children, bystanders and animals outside a 50 ft. (15m) radius from the operator and Trimmer. Beyond the 50 ft. (15 m) there still may be a risk of injury to bystanders from thrown objects. It is recommended that bystanders wear eye protection. A thrown object can ricochet. (See the String Trimmer Operating Safety)
5. If you are approached while operating the Edger, stop the engine and Edger blade rotation.
6. Never allow children to operate the Edger.
7. Use the Edger only in daylight or good artificial light.
8. Never operate the Edger without proper guards or other protective safety devices in place.
9. Do not put hands or feet near or under any rotating parts. Keep clear at all times. Keep all parts of your body away from the rotating Edger blade and hot surfaces such as the muffler.
10. Keep firm footing and balance Do not overreach.
11. Use the right tool for the job. Do not use the Edger for any job that is not recommended by MARUYAMA.

Pruner Operating Safety

1. THIS PRUNER CAN CAUSE SERIOUS INJURIES. Read the instructions carefully. Be familiar with all controls and the proper use of the Pruner.
2. The Pruner is designed to cut wood and can therefore be potentially dangerous. Careless or improper use can cause serious or even fatal injury.
3. This Pruner can conduct electricity. Do not use where contact can be made with live electrical circuits. Never use around electrical power sources and lines. Failure to observe this warning can result in serious injury or death.
4. Beware of where material will fall after being cut. Do not stand underneath falling material.
5. Inspect your work area before you begin. Remove objects such as broken glass, nails, wire and rocks which can become dangerous projectiles if thrown by the Pruner. Remove string, rope or similar materials which can become entangled in the Pruner head.
6. This Pruner will throw objects and cut. Keep children, bystanders and animals outside a 50 ft. (15m) radius from the operator and Trimmer. Beyond the 50 ft. (15 m) there still may be a risk of injury to bystanders from thrown objects. It is recommended that bystanders wear eye protection. A thrown object can ricochet. (See the String Trimmer Operating Safety)
7. If you are approached while operating the Pruner, stop the engine and Pruner chain motion.
8. Use the Pruner only in daylight or good artificial light.
9. Do not put hands or feet near or under any rotating parts. Keep clear at all times. Keep all parts of your body away from the Pruner chain and hot surfaces such as the muffler.
10. Keep firm footing and balance. Do not overreach.
11. Watch for wires. Keep sufficient distance away from electrical power lines.
12. Use the right tool for the job. Do not use the Pruner for any job that is not recommended by MARUYAMA.

Hedge Trimmer Operating Safety

1. THIS HEDGE TRIMMER CAN CAUSE SERIOUS INJURIES. Read the instructions carefully. Be familiar with all controls and the proper use of the Hedge Trimmer.
2. The Hedge Trimmer is designed to trim foliage and small branches, and can therefore be potentially dangerous. Careless or improper use can cause serious injury.
3. Inspect your work area before you begin. Remove objects such as broken glass, nails, wire and rocks which can become dangerous projectiles if thrown by the Hedge Trimmer. Remove string, rope or similar materials which can become entangled in the Hedge Trimmer cutter.
4. Keep children, bystanders and animals outside operating area.
5. If you are approached while operating the Hedge Trimmer, stop the engine and cutting blades.
6. Never allow children to operate the Hedge Trimmer.
7. Use the Hedge Trimmer only in daylight or good artificial light.
8. Do not put hands or feet near or under any moving parts. Keep clear at all times. Keep all parts of your body away from the cutting blade and hot surfaces such as the muffler.
9. Keep firm footing and balance. Do not overreach.
10. Use the right tool for the job. Do not use the Hedge Trimmer for any job that is not recommended by MARUYAMA.

Cultivator Operating Safety

1. THIS CULTIVATOR CAN CAUSE SERIOUS INJURIES. Read the instructions carefully. Be familiar with all controls and the proper use of the Cultivator.
2. Avoid using the Cultivator near rocks, gravel, stones and similar material that would cause harmful missiles.
3. Inspect your work area before you begin. Remove objects such as broken glass, nails, wire and rocks which can become dangerous projectiles if thrown by the Cultivator. Remove string, rope or similar materials which can become entangled in the Cultivator head.
4. This Cultivator will throw objects and cut. Keep children, bystanders and animals outside a 50 ft. (15m) radius from the operator and Trimmer. Beyond the 50 ft. (15 m) there still may be a risk of injury to bystanders from thrown objects. It is recommended that bystanders wear eye protection. A thrown object can ricochet. (See the String Trimmer Operating Safety)
5. If you are approached while operating the Cultivator, stop the engine and cultivate tool rotation.
6. Use the Cultivator only in daylight or good artificial light.
7. Do not put hands or feet near or under any rotating parts. Keep clear at all times. Keep all parts of your body away from the rotating tool and hot surfaces such as the muffler.
8. If the cultivator tines become jammed, stop the engine immediately. Make certain all moving parts have stopped, and disconnect the spark plug before attempting to remove any obstruction.
9. Use the right tool for the job. Do not use the Cultivator for any job that is not recommended by MARUYAMA.

Safety and Instruction Decals

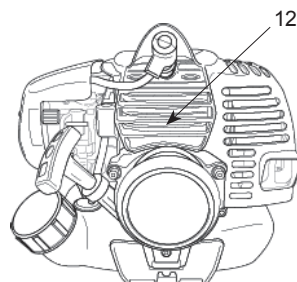
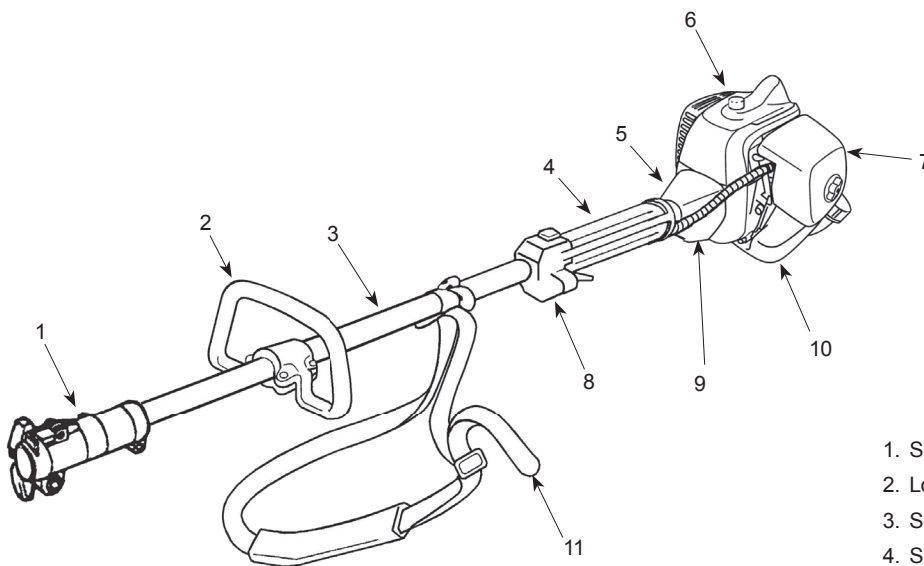


Safety decals and instructions are easily visible to the operator and are located near any area of potential danger. Replace any decal that is damaged or lost.

Product Description

M27QC/M30QC

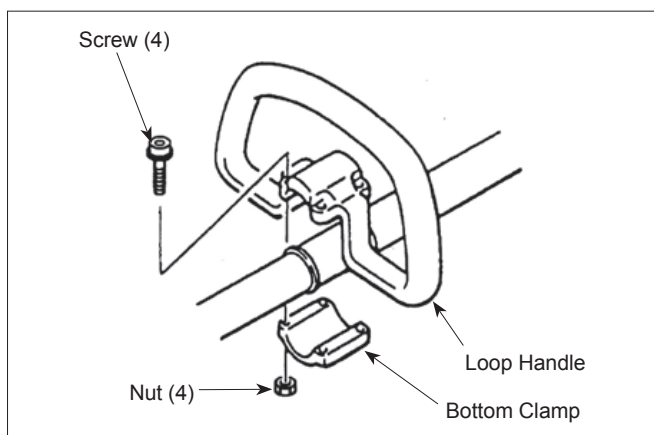
(Multi-Cutter Power Unit)



1. Shaft coupler
2. Loop Handle
3. Shaft Assembly
4. Shaft Grip
5. Clutch Drum Housing
6. Engine
7. Air Filter
8. Throttle Trigger and Stop Switch
9. Throttle Cable and Stop Switch Wires
10. Fuel Tank
11. Shoulder Hanging Strap
12. Serial Number (on rear of engine)

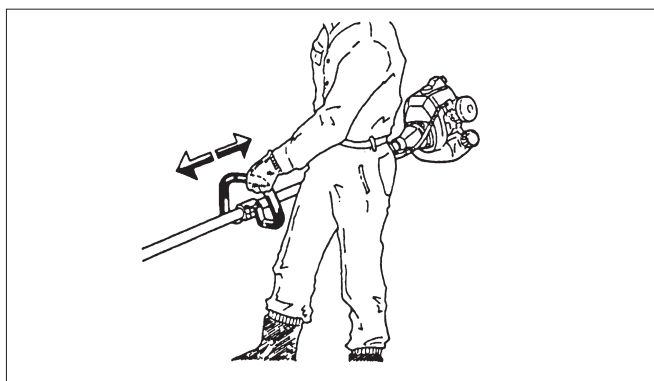
Assembly

Loop Handle Installation



The loop handle kit contains a package of four screws and nuts, a rubber sleeve and the bottom clamp for the loop handle.

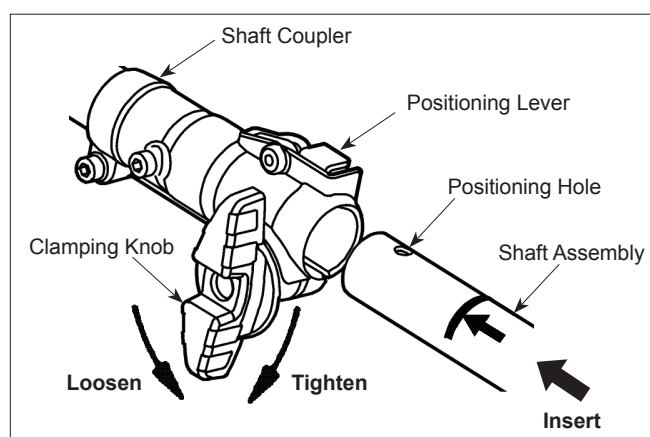
1. Slip the rubber sleeve around the shaft approximately 11 inches (28 cm) from the end of the stop switch/throttle trigger assembly for an initial handle position.
2. Rotate the rubber sleeve so the split is to one side.
3. Place the loop handle and the bottom clamp over the rubber sleeve.
4. Install the four screws and nuts. Leave the screws finger-tight.
5. Reposition the loop handle up or down the drive-shaft to the most comfortable position, but no closer than 9 inches (22.8 cm) from the end of the stop switch.
6. Tighten the screws and nuts.



Attaching and Detaching for the Power Unit and the Shaft Assembly

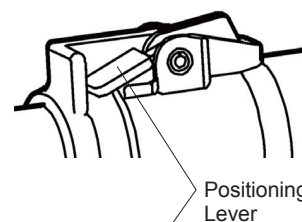
Attaching

1. First, loosen the clamping knob before attaching the shaft assembly to the shaft coupler.
Note : Do not over loosen the clamping knob or it may fall out.
2. Insert the shaft assembly to the shaft coupler with the positioning hole faced up as shown. Connect the both drive shafts completely in the matching position by moving the shaft assembly to forward and backward and left turn and right turn. When the shaft assembly is positioned correctly, spring tensioned positioning lever will be returned to the initial position.
3. Tighten the clamping knob firmly.



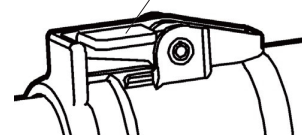
Incorrect Assembled

Positioning lever is lowered state



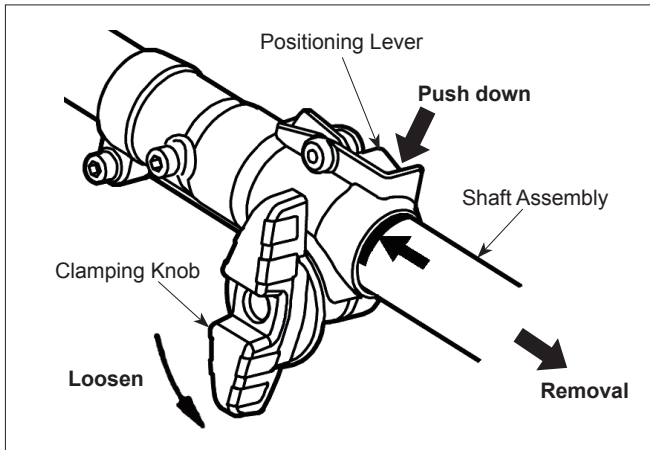
Correct Assembled

Positioning lever is raised state



Detaching

- 1 First, loosen the clamping knob before detaching the shaft assembly to the shaft coupler.
- 2 Pull out the shaft assembly from the shaft coupler while holding the positioning lever down.
- 3 Note : Do not over loosen the clamping knob or it may fall out.



Attaching Strap

⚠ WARNING

POTENTIAL HAZARD

- Without the strap installed on the Brushcutter, the blade can produce side thrust which can expose the operator and bystanders to blade contact.

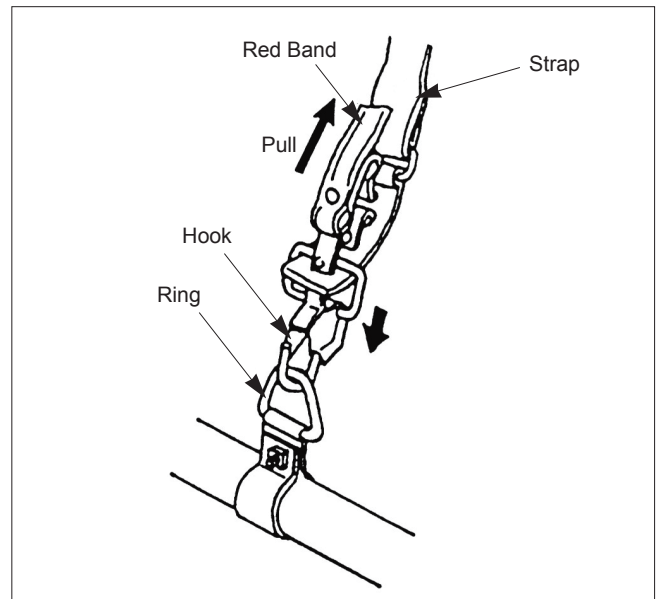
WHAT CAN HAPPEN

- Contact with the Brushcutter blade can cause personal injury.

HOW TO AVOID THE HAZARD

- Never operate the Brushcutter without installing and using the strap.

Snap the strap hook into the ring on the drive shaft. To detach the strap quickly from the Brushcutter, pull upward on the red band.



Before Operation

Oil and Fuel

⚠ DANGER

POTENTIAL HAZARD

- In certain conditions gasoline is extremely flammable and highly explosive.

WHAT CAN HAPPEN

- A fire or explosion from gasoline can burn you, others, and cause property damage.

HOW TO AVOID THE HAZARD

- Use a funnel and fill the fuel tank outdoors, in an open area, when the engine is cold. Wipe up any gasoline that spills.
- Do not fill the fuel tank completely full. Add gasoline to the fuel tank until the level is 1/4 to 1/2 in. (6 mm to 13 mm) below the bottom of the filler neck. This empty space in the tank allows gasoline to expand.
- Never smoke when handling gasoline, and stay away from an open flame or where gasoline fumes may be ignited by a spark.
- Store gasoline in an approved container and keep it out of the reach of children.
- Never buy more than a 30-day supply of gasoline.

1. Do not smoke near fuel.
2. Mix and pour fuel outdoors and where there are no sparks or flames.

⚠ WARNING

POTENTIAL HAZARD

- Gasoline contains gasses that can build up pressure inside a gas tank.

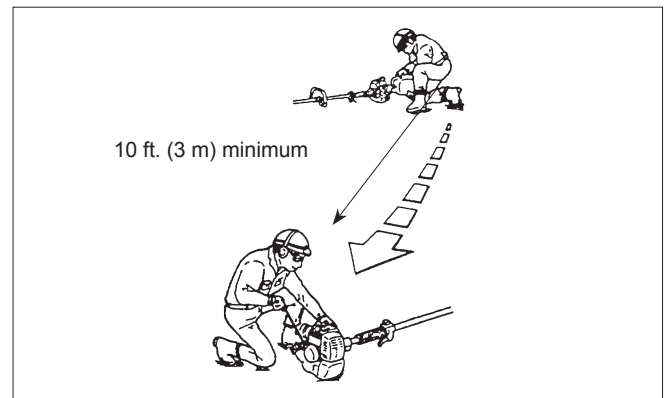
WHAT CAN HAPPEN

- Fuel can be sprayed on you when removing gas cap.

HOW TO AVOID THE HAZARD

- Remove fuel cap slowly to avoid injury from fuel spray.

3. Always shut off the engine before refueling. Never remove the fuel tank cap while the engine is running or right after just stopping the engine.
4. Always open the fuel tank cap slowly to release any possible overpressure inside the tank.
5. Do not overfill the fuel tank. Stop filling 1/4-1/2 in. (6 mm-13 mm) from the top of the tank.
6. Tighten the tank fuel cap carefully but firmly after refilling.
7. Wipe up any spilled fuel before starting the engine.
8. Move the unit at least 10 ft. (3 m) away from the fueling location and fuel storage container before starting the engine.



Recommended Oil Type

Only use a two-stroke engine oil formulated for use in high-performance, air-cooled two-stroke engines. MARUYAMA brand two-stroke oil is formulated for use in high-performance, air-cooled two-stroke engines.

IMPORTANT: Do not use National Marine Manufacturer's Association (NMMA) or BIA certified oils. This type of two-stroke engine oil does not have the proper additives for air-cooled, two-stroke engines and can cause engine damage.

Do not use automotive motor oil. This type of oil does not have the proper additives for air-cooled, two-stroke engines and can cause engine damage.

Recommended Fuel Type

Use clean, fresh lead-free gasoline, including *oxygenated or reformulated* gasoline, with an octane rating of 89

or higher. To ensure freshness, purchase only the quantity of gasoline that can be used in 30 days. Use of lead-free gasoline results in fewer combustion chamber deposits and longer spark plug life. Use of premium grade fuel is not necessary or recommended.

Use Of Fuel Additives

IMPORTANT: NEVER USE ALCOHOL, GASOHOL CONTAINING MORE THAN 10% ALCOHOL BECAUSE ENGINE FUEL SYSTEM DAMAGE COULD RESULT.

DO NOT USE FUEL ADDITIVES OTHER THAN THOSE MANUFACTURED FOR FUEL STABILIZATION DURING STORAGE SUCH AS MARUYAMA'S STABILIZER/CONDITIONER OR A SIMILAR PRODUCT. MARUYAMA'S STABILIZER/CONDITIONER IS A PETROLEUM DISTILLATE BASED CONDITIONER/STABILIZER.

MARUYAMA DOES NOT RECOMMEND STABILIZERS WITH AN ALCOHOL BASE SUCH AS ETHANOL, METHANOL OR ISOPROPYL. ADDITIVES SHOULD NOT BE USED TO TRY TO ENHANCE THE POWER OR PERFORMANCE OF MACHINE.

Mixing Gasoline And Oil

IMPORTANT: The engine used on this Multi - Cutter is of a two-stroke design. The internal moving parts of the engine, i.e., crankshaft bearings, piston pin bearings and piston to cylinder wall contact surfaces, require oil mixed with the gasoline for lubrication.

Failure to add oil to the gasoline or failure to mix oil with the gasoline at the appropriate ratio will cause major engine damage which will void your warranty.

For your fuel premix, use MARUYAMA Premium two-stroke Oil Mix, or equivalent ISO-L-EGD & JASO FD oil with a minimum 89 octane high Quality gasoline. MARUYAMA two-stroke oil is specially formulated to meet the requirements of high-performance, low-emission air-cooled two-stroke engines. Use of other oils may lead to service issues which may Not be covered by your warranty.

Fuel Mixture

The fuel: oil ratio is 50 parts gasoline to 1 part oil or 50:1.



Note: Never use a mixing ratio less than 50:1 regardless of the oil package mixing instructions. Ratios less than 50:1, (for example, 60:1, 80:1, 100:1), reduce the amount of lubrication to the internal moving parts of the engine and can cause damage.

Fuel Mixture Chart

Gasoline	50:1 two-stroke oil
1 gallon	2.6 oz.
2 gallons	5.1 oz.
5 gallons	12.8 oz.
1 liter	20 mL
5 liters	100 mL

Mixing Instructions

IMPORTANT: Never mix gasoline and oil directly in the Multi - Cutter fuel tank.

1. Always mix fuel and oil in a clean container approved for gasoline.
2. Mark the container to identify it as fuel mix for the Multi - Cutter.
3. Use regular unleaded gasoline and fill the container with half the required amount of gasoline.
4. Pour the correct amount of oil into the container then add the remaining amount of gasoline.
5. Close the container tightly and shake it momentarily to evenly mix the oil and the gasoline before filling the fuel tank on the Multi - Cutter.

6. When refilling the Multi - Cutter fuel tank, clean around the fuel tank cap to prevent dirt and debris from entering the tank during cap removal.
7. Always shake the premix fuel container momentarily before filling the fuel tank.
8. Always use a spout or funnel when fueling to reduce fuel spillage.
9. Fill the tank only to within 1/4-1/2 in. (6 mm-13 mm) from the top of the tank. Avoid filling to the top of the tank filler neck.

Starting And Stopping

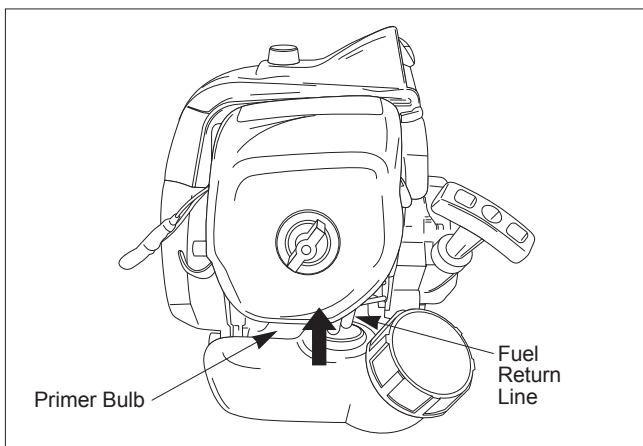
Before Starting The Engine

1. Fill the fuel tank as instructed in the Before Operation section of this manual (page US-15).
2. Rest the Multi-Cutter on the ground.
3. Make sure the cutting attachment is clear of any broken glass, nails, wire, rocks or other debris.
4. Keep all bystanders, children and animals away from the working area.

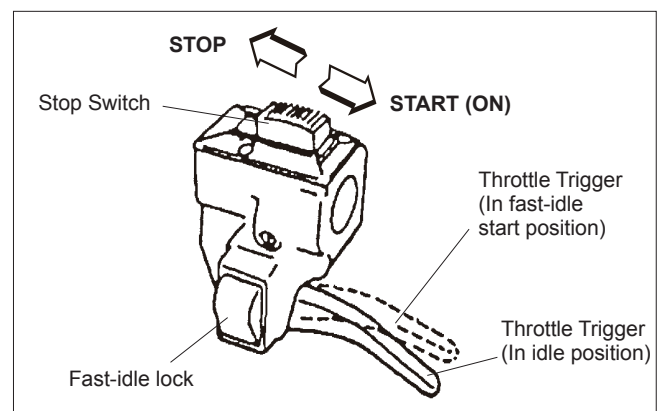
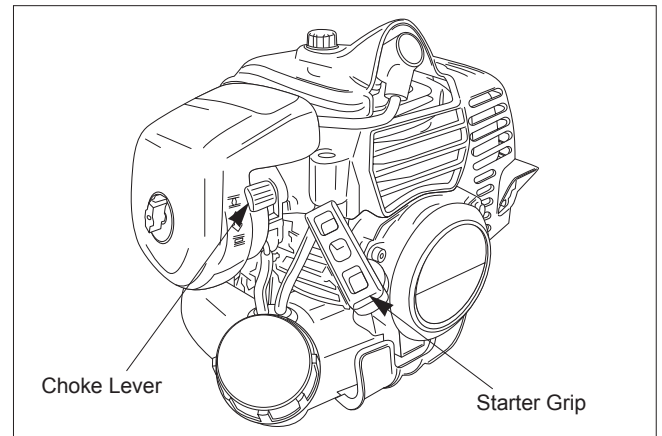
Cold Starting Procedure

This Multi-Cutter is equipped with a fuel primer and a choke system. To start a “cold” engine properly, perform the following procedure:

1. Pump the primer bulb at the bottom of the carburetor until fuel can be seen flowing through the fuel return line to the fuel tank.
(Flowing fuel should be almost clear, not foamy or full of bubbles.)



2. Move the choke lever to the closed (☒) position and move the stop switch to the “ON” position.



⚠ WARNING

POTENTIAL HAZARD

- The components of your recoilstarter assembly are under high spring tension. If improperly disassembled these parts may strike you with considerable force, possibly causing personal injury.

WHAT CAN HAPPEN

- Contact with the parts can cause severe personal injury.

HOW TO AVOID THE HAZARD

- Never attempt to disassemble your recoil starter assembly yourself. Always consult your authorized MARUYAMA dealer for repair by qualified service technicians.

⚠ CAUTION

- Do not pull the Starter rope all the way out.

- Lock the throttle trigger in the fast-idle start position, then pull the starter grip.
- After the engine starts, squeeze and release the throttle trigger to return it to the idle position, then move the choke lever to the open (☰) position.

If the engine stops running before you move the choke lever to the open (☰) position:

Go ahead and open the choke, pull the starter grip with the throttle trigger positioned at Fast-idle position

Hot Restart

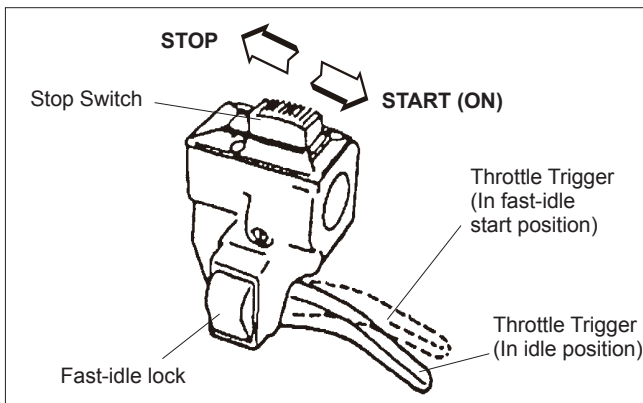
To start an engine that is already warmed up (hot restart), or if the ambient temperature exceeds 68°F (20°C):

- Pump the primer bulb at the bottom of the carburetor until fuel can be seen flowing through the fuel return line to the fuel tank.
- Move the choke lever to the open (☰) position and move the stop switch to the “ON” position.
- Leave the throttle trigger in the idle position and pull the starter grip.
- If the engine fails to start after three to four pulls, follow the instruction in the Cold Starting Procedure section (page US-17).

If the engine fails to start after you follow the above procedures, contact an authorized MARUYAMA dealer.

To Stop The Engine

- Release the throttle trigger.
- Slide the stop switch to the “STOP” position.



Maintenance

Maintenance, replacement or repair of emission control devices and systems may be performed by any repair establishment or individual; however, warranty repairs must be performed by a dealer or service center authorized by MARUYAMA Manufacturing Company, Inc. The use of parts that are not equivalent in performance and durability to authorized parts may impair the effectiveness of the emission control system and may have a bearing on the outcome of a warranty claim.

Maintenance on today's low-emission engines is even more critical for longest life and best performance. particularly critical are air and fuel filters, spark plug heat range, cooling air intake area and proper gaps of coil and plug.

Idle Speed Adjustment

This Multi-Cutter is equipped with non-adjustable fuel mixture carburetor. The engine idle speed is the only adjustment for the operator.

⚠ WARNING

- Idle speed adjustment should be checked each time the unit is operated.

⚠ WARNING

POTENTIAL HAZARD

- Engine must be running to make carburetor adjustments.
- When engine is running, attached tool and other parts is rotating / moving and other parts are moving.

WHAT CAN HAPPEN

- Contact with rotating / moving tool or other moving parts could cause serious personal injury or death.

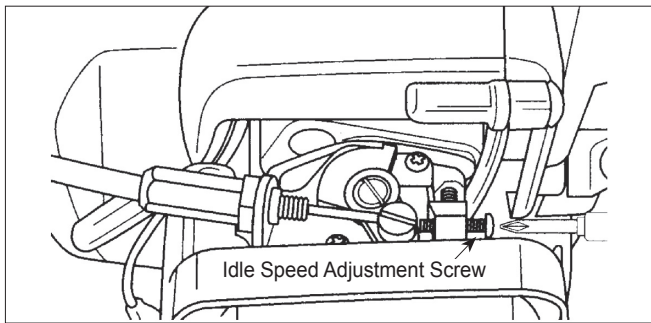
HOW TO AVOID THE HAZARD

- Keep hands, feet and clothing away from attached tool and other moving parts.
- Keep all bystanders and pets away from unit while making carburetor adjustments.

The Attached Tool may be rotating/ moving during idle speed adjustment. Wear the recommended personal protective equipment and observe all safety instructions. Keep hands and body away from the Attached Tool.

When the throttle trigger is released, the engine should return to an idle speed between 2700 and 3300 RPM, or just below the clutch engagement speed. The Attached Tool must not rotate/move and the engine should not stall (stop running) at engine idle speed.

To adjust the engine idle speed, rotate the idle speed adjustment screw on the carburetor.



- Turn the idle speed screw in (clockwise) to increase the engine idle speed.
- Turn the screw out (counterclockwise) to decrease the engine idle speed.

If idle speed adjustment is necessary, and after adjustment the Attached Tool rotates/moves or the engine stalls, stop using the Multi-Cutter immediately!

Contact your local authorized MARUYAMA Dealer for assistance and servicing.

Air Filter

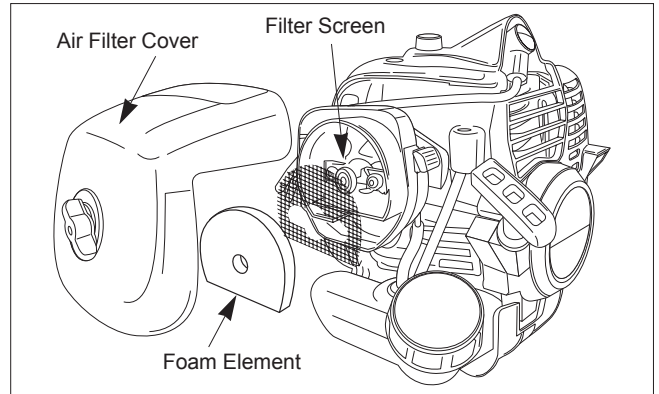
Maintenance Interval

- The air filter should be cleaned **daily**, or more often when working in extremely dusty conditions.
- Replace after every 100 hours of operation.

Air Filter Cleaning

1. Loosen the knob and remove the air filter cover.
2. Remove the foam element and filter screen from the air filter body.
3. Clean the foam element and filter screen with warm, soapy water. Let the screen and element dry completely.

4. Apply a light coat of motor oil (SAE 30 or equivalent viscosity) to the foam element and squeeze out all excess oil.
5. Reassemble the filter screen and foam element to the air filter body.
6. Reinstall the air filter cover and tighten the knob.



Fuel Filter

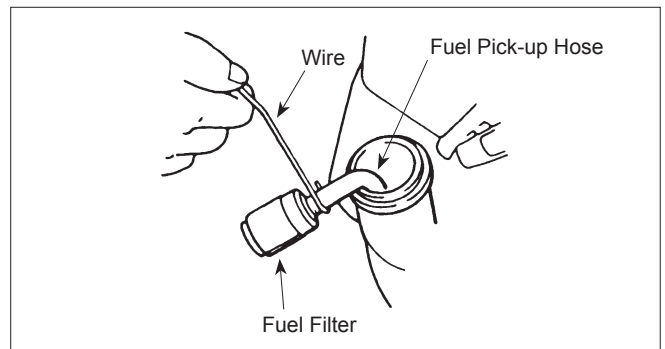
Maintenance Interval

The fuel filter should be replaced after every 100 hours of operation.

Fuel filters needing more frequent replacement may indicate debris in fuel tank.

Fuel Filter Replacement

The fuel filter is attached to the end of the fuel pick-up hose inside the fuel tank.



To replace the fuel filter:

1. Make sure the fuel tank is empty.
2. Remove the fuel cap.
3. Using a wire hook, gently pull the fuel filter out through the fuel filler opening. Use caution not to "fishhook" the fuel hose. Replace immediately if punctured!

4. Grasp the fuel hose next to the fuel filter fitting and remove the filter, but do not release the hose.
5. While still holding on to the fuel hose, attach the new fuel filter.
6. Drop the new fuel filter back into the fuel tank.
7. Make sure that the fuel filter is not stuck in a corner of the tank, and that the fuel hose is not doubled over (kinked) before refueling.

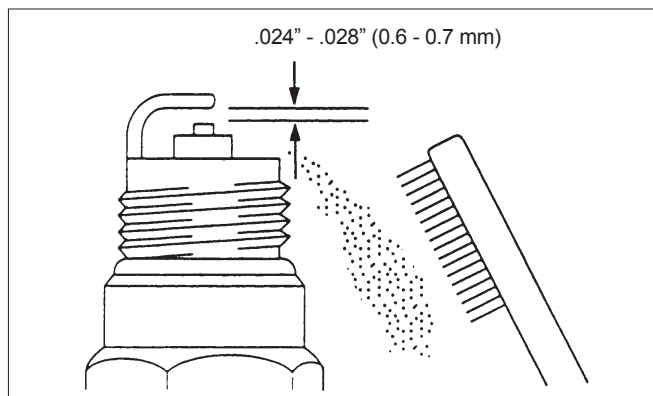
Spark Plug

Maintenance Interval

- The spark plug should be removed from the engine and checked after each 25 hours of operation.
- Replace the spark plug after every 100 hours of operation.

Spark Plug Maintenance

1. Twist the high tension lead boot on the spark plug back and forth a couple of times to loosen the boot, then pull the boot off of the spark plug.
2. Remove the spark plug.
3. Clean the electrodes with a stiff brush.



4. Adjust the electrode air gap to .024-.028 in. (0.6-0.7mm).
5. Replace the spark plug if it is oil-fouled, damaged, or if the electrodes are worn down.
6. Do not overtighten the spark plug when installing. The tightening torque is 95-148 in.-lbs. (10.7-16.6 N·m).
7. Always use only the specific heat range of spark plug. This is particularly critical with today's lowemission engines. For best results, use the exact replacement.

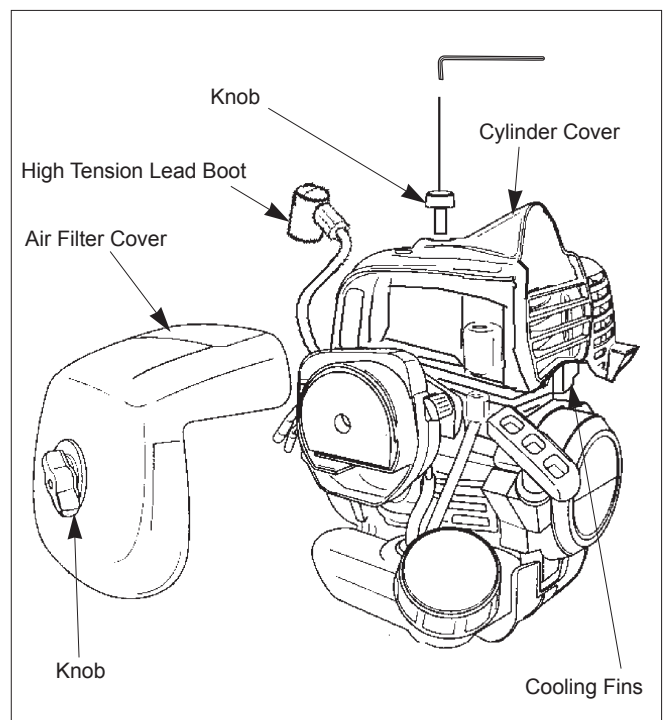
Cylinder Cooling Fins

Maintenance Interval

- The cylinder cooling fins should be cleaned after every 25 hours of operation, or once a week, whichever comes first.
- Air must flow freely around and through the cylinder cooling fins to prevent engine overheating. Leaves, grass, dirt and debris buildup on the fins will increase the operating temperature of the engine, which can reduce engine performance and shorten engine life.

Cooling Fin Cleaning

1. With the engine at ambient (room) temperature, loosen the knob and remove the air filter cover.
 2. Twist the high tension lead boot on the spark plug back and forth a couple of times to loosen the boot, then pull the boot off of the spark plug.
 3. Loosen the knob and lift off the cylinder cover.
 4. Clean all dirt and debris from the cooling fins and from around the cylinder base.
 5. DO NOT overlook cleaning of the cooling air intake area below the crankcase and above the fuel tank! This area must be free of debris and obstruction for the engine to cool properly.
- Reinstall the cylinder and air filter covers.



Spark Arrester

⚠ WARNING

POTENTIAL HAZARD

- **Muffler surface becomes hot when Multi-Cutter is in operation and remains hot for some time after the engine is shut off.**

WHAT CAN HAPPEN

- **Contact with hot muffler surfaces could cause a burn.**

HOW TO AVOID THE HAZARD

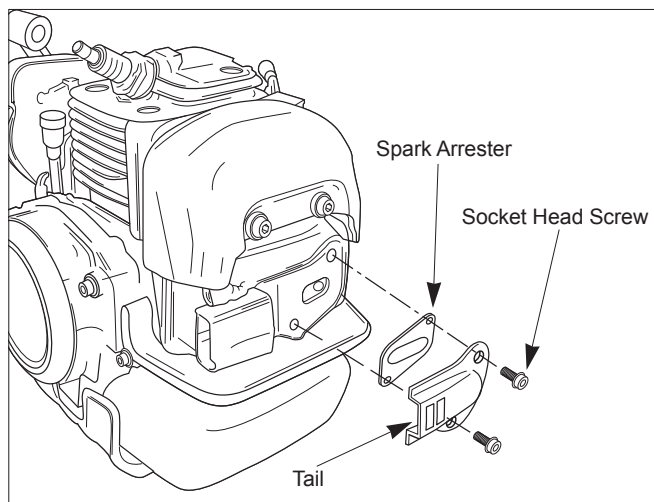
- **Make sure the muffler is cool before inspecting and cleaning the spark arrester.**

Maintenance Interval

- The spark arrester should be inspected and cleaned after every 25 hours of use.
- Replace the screen if it cannot be thoroughly cleaned, or if it is damaged.

Spark Arrester Maintenance

1. With the engine at ambient (room) temperature, loosen the knob and remove the air filter cover.
2. Twist the high tension lead boot on the spark plug back and forth a couple of times to loosen the boot, then pull the boot off of the spark plug.



3. Loosen the knob and lift off the cylinder cover.
4. Remove and clean the tail, gasket and spark arrester with a safety solvent and a stiff brush. If any part cannot be thoroughly cleaned, it must be replaced.
5. Reinstall the spark arrester and tail onto the muffler, then reinstall and tighten the two socket head screws.
6. Reinstall the cylinder cover and the air filter cover.

Exhaust Muffler

Maintenance Interval

The muffler should be inspected and cleaned after each 100 hours of use.

Muffler Maintenance

1. With the engine at ambient (room) temperature, loosen the knob and remove the air cleaner cover.
2. Twist the high tension lead boot on the spark plug back and forth a couple of times to loosen the boot, then pull the boot off of the spark plug.
3. Loosen the knob and lift off the cylinder cover.
4. Remove the spark arrester (see spark arrester maintenance), Clean the muffler with a stiff brush.

IMPORTANT: Don't use solvent for cleaning inside of muffler, because of the catalytic converter in muffler.

Be careful not to allow any dirt or debris to fall into the exhaust port, as this can cause engine damage.

5. Reinstall the spark arrester and tail onto muffler, then reinstall and tighten the two socket head screws.
6. Reinstall the cylinder cover and the air filter cover.

General Cleaning and Tightening

The MARUYAMA Multi-Cutter will provide maximum performance for many, many hours if it is maintained properly. Good maintenance includes regular checking of all fasteners for correct tightness, and cleaning the entire machine.

⚠ WARNING

POTENTIAL HAZARD

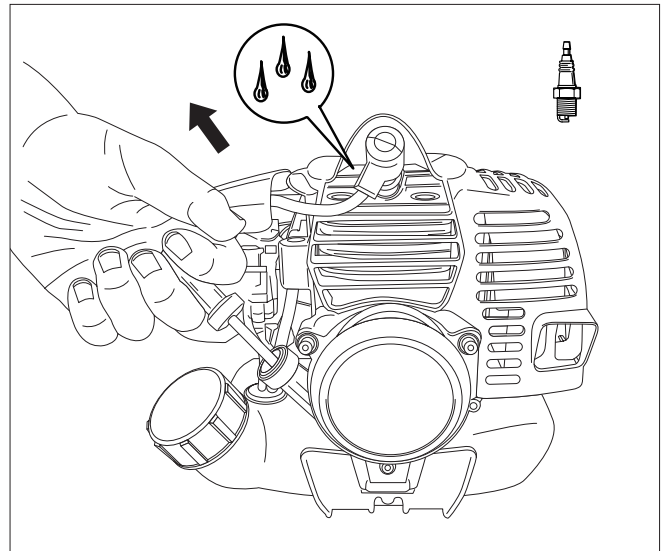
- When engine is running, Attached Tool is rotating/ moving and other parts are moving.

WHAT CAN HAPPEN

- Contact with rotating/moving Tool or other moving parts could cause serious personal injury or death.

HOW TO AVOID THE HAZARD

- Always turn off your Multi-Cutter before you clean or perform any maintenance on it.



⚠ CAUTION

POTENTIAL HAZARD

- Oil may squirt out of the spark plug opening when you pull the starter grip.

WHAT CAN HAPPEN

- Oil can cause eye injuries.

HOW TO AVOID THE HAZARD

- Protect your eyes and keep your face away from the spark plug opening.

Storage

For long term storage of the Multi-Cutter:

1. Empty the fuel tank into a suitable fuel storage container.
2. Pump the primer bulb on the carburetor until all fuel is discharged through the clear fuel return hose.
3. Run the engine to remove any fuel that may remain in the carburetor.
4. Perform all regular maintenance procedures and any needed repairs.
5. Remove the spark plug and squirt a very small amount of oil into the cylinder.
6. Pull the starter grip once.
7. Slowly pull the starter grip to bring the piston to the top of the cylinder (TDC).
8. Reinstall the spark plug.
9. Store the Multi-Cutter in a dry place away from excessive heat, sparks or open flame.

Troubleshooting

Problem	Cause	Action
Engine Will Not Start	STOP switch set to off position Empty fuel tank Primer bulb wasn't pushed enough Engine flooded	Move switch to on position Fill fuel tank Press primer bulb until fuel flows through fuel return line Use warm engine starting procedure
Engine Will Not Idle	Idle speed set incorrectly	Set idle speed
Engine Lacks Power or Stall When Cutting	Throttle wire has come loose Dirty air filter Clogged spark arrester or exhaust port.	Tighten throttle wire Clean or replace air filter Clean spark arrester or exhaust port.

If further assistance is required, contact your local authorized MARUYAMA service dealer.

Maintenance Period

Maintenance	Daily	Every 25 hours	Every 50 hours	Every 100 hours
Check and replenish fuel	●			
Check for fuel leakage	●			
Check bolts, nuts and screws for tightness or missing	●			
Check engine idle speed adjustment	●			
■ Clean air filter element	●			
Clean spark plug and adjust electrode gap		●		
■ Remove dust and dirt from cylinder fins		●		
● Clean spark arrester		●		
Tighten bolts and nuts			●	
● Remove carbon deposits in exhaust port			●	
Replace fuel filter				●
● Remove carbon deposits on piston head and combustion chamber				●
● Remove carbon deposits in transfer port				●
Replace fuel tube, fuel tank cap gasket	It is recommended to replace every 3 years			

●: Service to be performed by an authorized MARUYAMA engine dealer.

■: Service more frequently under dusty conditions.

NOTE:

The service intervals indicated are to be used as a guide.

Service to be performed more frequently as necessary depending on operating condition.

Use MARUYAMA standard 50:1 two-stroke engine oil.

Specifications

	M27QC	M30QC
Weight ※ 1(lbs.)	9.7 (4.4kg)	9.5 (4.3kg)
Engine Displacement (cm ³)	30.1	25.4
Anti Vibration	Dual Isolatin-grip and engine mount	
Carburetor	Walbro Diaphragm Type	
Ignition Syatem	Solid State	
Fuel Tank Capacity (qts.)	0.63 (0.6L)	
Gas to Oil Ratio	50:1	
Spark Plug	NGK BPM8Y	
Spark plug Gap (in.)	.024-.028 (0.6-0.7mm)	
EPA and CARB Approved	Phase 3, Tier 3	

Emission durability of 300 hours.

※ 1. Dry weight without fuel .

Tool Attachments

For an installation and the operation shall be referred each attachment's manual within listed the attachments which have to be packaged on Multi-Cutter Tool Attachments.

QC-S/QC-ST	Straight Shaft Attachment
QC-HT	Hedge Trimmer Attachment
QC-HTS /QC-HTR	Swiveling Hedge Trimmer Attachment
QC-P/QC-PS/QC-PL	Pruner Attachment
QC-E/QC-ES	Edger Attachment
QC-T	Cultivator Attachment
QC-LB	Landscape Blade Attachment
QC-LS	Landscape Sweeper Attachment



Declaración de garantía limitada

Todos los productos Maruyama están garantizados al comprador original de estar libres de defectos en materiales o fabricación **desde la fecha de compra** durante los siguientes periodos:

Para la vida de uso de ejes de acero sólido y las bobinas de arranque.

Garantía comercial Iron 5™ de **5 años** de uso.

1 año para uso residencial o **2 años** para uso comercial con aceite de otra marca.

90 días para uso de alquiler.

Motor – referirse al texto de garantía del fabricante del motor. Fabricado por Maruyama Los motores Maruyama están cubiertos por esta garantía limitada.

Cualquier parte del producto Maruyama que se determine defectuoso durante el periodo aplicable de garantía será, a discreción de Maruyama, reparada o reemplazada, sin costo. Durante el proceso de garantía se tomará en consideración el producto de Maruyama que se considere defectuoso y que sea entregado a un servicio autorizado de Maruyama durante el periodo aplicable de la garantía.

No se cobrará al comprador por la tarea de diagnóstico que determine que una pieza en garantía es defectuosa, si se realiza en un centro de distribución de Maruyama. Cualquier pieza en garantía cuyo cambio no esté programado como mantenimiento necesario, o que esté programada sólo para revisión ordinaria con vistas a su “reparación o cambio según sea necesario” estará cubierta durante el período de garantía. Cualquier pieza en garantía, cuyo cambio esté programado dentro del mantenimiento necesario, estará cubierta hasta el primer cambio programado que le corresponda. Maruyama Mfg Co., Inc. es responsable de los daños ocasionados a otros componentes del motor por el fallo de una pieza que aún esté en garantía. El comprador es responsable de realizar las tareas de mantenimiento necesarias tal y cómo se definen en el MANUAL DEL PROPIETARIO U OPERADOR de Maruyama Mfg Co., Inc.

GARANTÍAS DE PARTES RELACIONADAS A EMISIONES: Además de dicha cobertura, Maruyama MFG. Co., Inc., reparará o reemplazará, sin costo, al comprador original, y cada comprador subsiguiente, cualquier parte(s) relacionada(s) a emisiones determinadas de ser defectuosas en materiales o fabricación durante dos (2) años a partir de la fecha de entrega. **Partes relacionadas a emisiones incluyen la bobina completa de arranque, el rotor de arranque, la bujía, el convertidor catalítico en el depósito de combustible.** Cualquier parte de reemplazo de comparable desempeño y durabilidad se pueden utilizar en manutención y reparación y esto no disminuirá la obligación de garantía de Maruyama MFG. Co., Inc.

ESTA GARANTÍA NO CUBRE:

1. Partes de mantenimiento (incluso defectos en materiales y fabricación), incluso mangueras, bujías, cuerdas de arranque, filtros de aire y combustible, zapatos de embrague, amortiguadores de vibración, cables de acelerador, y todos los accesorios de corte.
2. Gastos suplementarios, incluso envío y manejo, viaje, pago de pérdida de tiempo, o pago por inconveniencia y almacenamiento.
3. Alteraciones o modificaciones incluso respuestos genéricos no autorizados por Maruyama.
4. Desgaste, accidentes, abuso, uso incorrecto, negligencia, combustibles, lubricantes, mezclas de combustible inadecuadas (cuando sea aplicable), o no realizar mantenimiento u operación del producto de acuerdo a las instrucciones aprobadas por Maruyama.

La reparación o cambio según lo estipulado en la presente garantía es la única solución del usuario. Maruyama no se hará responsable de ningún daño fortuito o consecuencial del incumplimiento de cualquier garantía expresa o implícita de estos productos salvo hasta el límite estipulado por la legislación aplicable. Cualquier garantía implícita de comerciabilidad o idoneidad para un fin particular de estos productos se restringe al período de garantía tal y cómo se define en la declaración de garantía limitada. Maruyama se reserva el derecho a modificar o mejorar el diseño del producto sin previo aviso y no asume ninguna obligación de actualizar los productos previamente fabricados.

Esta garantía le ofrece derechos legales específicos, que pueden variar de un Estado a otro.

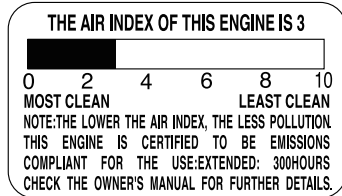
El propietario y el distribuidor se responsabilizarán de que la Tarjeta de registro de garantía sea correctamente cumplimentada y enviada a Maruyama U.S., Inc. Para obtener el servicio de garantía se solicitará una prueba de compra o registro.

Para encontrar al distribuidor autorizado de Maruyama más cercano, contacte con:

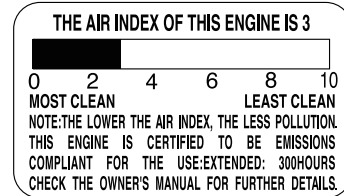
Maruyama U.S., Inc.
4770 Mercantile Drive, suite100,
Fort Worth, TX 76137 U.S.A.
(940)383-7400
maruyama@maruyama-us.com
www.maruyama-us.com

⚠️ ADVERTENCIA: ⚠️

Los gases del escape de este motor contienen químicos conocidos en el estado de California de ser la causa de cáncer, defectos de nacimiento y otros daños reproductivos.



M27QC



M30QC

DECLARACIÓN DE GARANTÍA DEL CONTROL FEDERAL DE EMISIONES. DERECHOS Y OBLIGACIONES DERIVADOS DE LA GARANTÍA

La Agencia para la protección ambiental de EE.UU. (EPA) y Maruyama Manufacturing Company, Inc. se complacen en explicar la **garantía del sistema de control de emisiones** de su pequeño motor no destinado a la automoción. Los nuevos modelos de motor pequeño de 1997 y posteriores, no destinados a la automoción, deben estar diseñados, fabricados y equipados, en el momento de venta, para cumplir las normas de la EPA de EE.UU. El motor debe estar libre de defectos en los materiales y de fabricación que provoquen el incumplimiento de las normas de la EPA durante los dos primeros años de uso del motor a partir de la fecha de venta inicial hasta el último comprador. Maruyama Manufacturing Company, Inc. ha de garantizar el sistema de control de las emisiones en el pequeño motor durante el período anteriormente citado siempre y cuando no haya ningún uso indebido, negligencia o mantenimiento incorrecto del mismo.

Período de durabilidad de emisiones: 300 horas.

Su sistema de control de emisiones puede incluir piezas como el carburador o el sistema de inyección de combustible, el sistema de encendido y el convertidor catalítico. También puede incluir tubos flexibles, correas y conectores y otros sistemas relacionados con las emisiones.

Cuando exista una condición cubierta por la garantía, Maruyama Manufacturing Company, Inc. reparará gratuitamente el pequeño motor no destinado a la automoción, incluido el diagnóstico (si se realiza en un centro de distribución autorizado), piezas y mano de obra.

COBERTURA DE LA GARANTÍA DEL FABRICANTE:

Los modelos de motor pequeño de 1997 y posteriores, no destinados a la automoción, están garantizados durante dos años. Si cualquier pieza de su motor relacionada con las emisiones es defectuosa, Maruyama Manufacturing Company, Inc. la reparará o cambiará gratuitamente.

RESPONSABILIDADES DEL PROPIETARIO DERIVADAS DE LA GARANTÍA:

- (a) Como propietario del motor arriba mencionado, usted es responsable de realizar las tareas de mantenimiento necesarias enumeradas en el manual del propietario u operador. Maruyama Manufacturing Company, Inc. recomienda conservar todos los recibos del mantenimiento del motor, pero no puede negar la aplicación de la garantía sólo porque usted carezca de recibos o no asegure la ejecución de todas las tareas de mantenimiento programadas. Se permite el uso de cualquier pieza de repuesto o mantenimiento equivalente en prestación y durabilidad en el mantenimiento o reparaciones no cubiertas por la garantía, no reduciendo este hecho las obligaciones del fabricante del motor derivadas de la garantía.

- (b) Como propietario, debería saber, sin embargo, que Maruyama Manufacturing Company puede negarle la cobertura de la garantía si el motor o la pieza no funcionan por el uso indebido, negligencia, mantenimiento incorrecto o modificaciones no autorizadas.
- (c) Usted es responsable de llevar el motor a un centro de asistencia de Maruyama Manufacturing Company, Inc. tan pronto como exista un problema. Las reparaciones cubiertas por la garantía deberían completarse en un período de tiempo razonable, no superior a 30 días.

Si tiene preguntas relacionadas con los derechos y responsabilidades derivadas de la garantía, contacte con Maruyama U.S., Inc. en el número: **1-866-783-7400**, o warranty@maruyama-us.com.

COBERTURA

Maruyama Manufacturing Company, Inc. garantiza al comprador último y a cada comprador posterior que el pequeño motor no destinado a la automoción estará diseñado, fabricado y equipado, en el momento de venta, para cumplir con toda la normativa aplicable. Maruyama Manufacturing Company, Inc. también garantiza al comprador inicial y a cada comprador posterior que el motor está libre de defectos de fabricación y en los materiales, que le impidan cumplir las normas aplicables durante un período de dos años.

La Agencia de protección ambiental (EPA) obliga a los fabricantes de este tipo de motores a cumplir la normativa durante dos años. Estos períodos de garantía se iniciarán en la fecha en que el comprador inicial adquiriera el pequeño motor no destinado a la automoción. Si cualquier pieza del motor relacionada con las emisiones es defectuosa, Maruyama Manufacturing Company, Inc. la cambiará gratuitamente.

Maruyama Manufacturing Company, Inc. resolverá los defectos cubiertos por la garantía en cualquier centro de garantía o de distribución de motores de Maruyama Manufacturing Company, Inc. autorizado. Cualquier tarea autorizada realizada en un centro de garantía o de distribución autorizado será gratuita si determina que una pieza en garantía es defectuosa. Para cualquier tarea de mantenimiento o reparación de piezas relacionadas con las emisiones, cubierta por la garantía puede utilizarse cualquier pieza de repuesto homologada por el fabricante o equivalente, y debe realizarse gratuitamente si la pieza aún está en garantía. Maruyama Manufacturing Company, Inc. es responsable de los daños ocasionados a otros componentes del motor por el fallo de una pieza en garantía.

EPA estima que las piezas garantizadas relacionadas con las emisiones incluyen todas las que figuran a continuación. Piezas garantizadas: el carburador, la bobina de encendido, el rotor de encendido, la bujía, el convertidor catalítico y el depósito de combustible.

MANTENIMIENTO NECESARIO

El propietario es responsable de realizar las tareas de mantenimiento necesarias tal y cómo se definen en el manual del propietario u operador de Maruyama Manufacturing Company, Inc.

LIMITACIONES

Esta Garantía propietario u operador de control de emisiones no cubrirá lo siguiente:

- (a) ninguna reparación o cambio necesarios por el uso indebido o negligencia, falta de mantenimiento requerido, reparaciones incorrectamente realizadas o cambios que no cumplan las especificaciones de Maruyama Manufacturing Company, Inc. que repercutan adversamente en el rendimiento o durabilidad, y alteraciones o modificaciones no recomendadas o aprobadas por escrito por Maruyama Manufacturing Company, Inc., y
- (b) ningún cambio de piezas y otros servicios y ajustes necesarios para el mantenimiento requerido en y después del primer cambio programado.

DECLARACIÓN DE GARANTÍA DEL CONTROL DE EMISIONES DE CALIFORNIA. DERECHOS Y OBLIGACIONES DERIVADOS DE LA GARANTÍA

La Junta de Recursos del Aire de California (CARB), y Maruyama Manufacturing Company, Inc. se complacen en explicar la garantía del sistema de control de emisiones de su pequeño motor, modelo 2015, no destinado a la automoción. En California, los nuevos pequeños motores no destinados a la automoción deben estar diseñados, fabricados y equipados para cumplir con la estricta normativa anti humos del Estado. Maruyama Manufacturing Company, Inc. ha de garantizar el sistema de control de las emisiones en el pequeño motor durante el período anteriormente citado siempre y cuando no haya ningún uso indebido, negligencia o mantenimiento incorrecto del mismo.

Su sistema de control de emisiones puede incluir piezas como el carburador o el sistema de inyección de combustible, el sistema de encendido, depósito de combustible y el convertor catalítico. También puede incluir tubos flexibles, correas y conectores y otros sistemas relacionados con las emisiones.

Cuando exista una condición cubierta por la garantía, Maruyama Manufacturing Company, Inc. reparará gratuitamente el pequeño motor no destinado a la automoción, incluido el diagnóstico, piezas y mano de obra.

COBERTURA DE LA GARANTÍA DEL FABRICANTE:

Los pequeños motores de 1995 y posteriores, no destinados a la automoción, están garantizados durante dos años. Si cualquier pieza de su motor relacionada con las emisiones es defectuosa, Maruyama Manufacturing Company, Inc. la reparará o cambiará gratuitamente.

RESPONSABILIDADES DEL PROPIETARIO DERIVADAS DE LA GARANTÍA:

- (a) Como propietario del motor arriba mencionado, usted es responsable de realizar las tareas de mantenimiento necesarias enumeradas en el manual del propietario u operador. Maruyama Manufacturing Company, Inc. recomienda conservar todos los recibos del mantenimiento del motor, pero no puede negar la aplicación de la garantía sólo porque usted carezca de recibos o no asegure la ejecución de todas las tareas de mantenimiento programadas.
- (b) Como propietario, debería saber, sin embargo, que Maruyama Manufacturing Company puede negarle la cobertura de la garantía si el motor o la pieza no funcionan por el uso indebido, negligencia, mantenimiento incorrecto o modificaciones no autorizadas.
- (c) Usted es responsable de llevar el motor a un centro de asistencia de Maruyama Manufacturing Company, Inc. tan pronto como exista un problema. Las reparaciones cubiertas por la garantía deberían completarse en un período de tiempo razonable, no superior a 30 días.

Si tiene preguntas relacionadas con los derechos y responsabilidades derivadas de la garantía, contacte con Maruyama U.S., Inc. en el número: **1-866-783-7400**, o warranty@maruyama-us.com.

Piezas del sistema de emisiones

Emisión de escape

Carburador

Silenciador

Convertor catalítico

Bobina de encendido/ Magneto

Bujía

Filtro de aire

Válvula EGR (pistón)

Filtro de combustible Fuel Filter

Emisión de evaporación

Depósito de combustible

Contenido

	Página ES-		Página ES-
Declaración de garantía limitada	1	Mantenimiento	18
CONTROL FEDERAL DE EMISIONES	3	Ajuste de la Velocidad del Ralentí.....	18
CONTROL DE EMISIONES DE CALIFORNIA ...	5	Filtro del Aire.....	19
Contenido.....	6	Filtro del Combustible.....	20
Introducción.....	7	Bujía.....	20
Seguridad	7	Aletas del cilindro de refrigeración	21
Seguridad del operador.....	7	Matachispas	21
Seguridad del Multi-Cutter con accesorios	8	Silenciador de escape.....	22
Seguridad del combustible	8	El general limpiando y apretándose	22
Seguridad al utilizar el Multi-Cutter con accesorios ...	9	Almacenaje	23
Símbolos Adhesivos de Seguridad.....	12	Problemas.....	24
Descripción del Producto.....	12	Período de mantenimiento	24
Montaje	13	Especificaciones.....	25
Instalación del manijar en forma	13	Herramientas Accesorios	25
Cómo conectar y separar los accesorios al grupo motor	13		
Colocación del cinta para colgar del hombro	14		
Antes de Utilizar	15		
Aceite y Combustible	15		
Mezcla de Gasolina y Aceite	16		
Arranque y Parada	17		

Introducción

Gracias por su compra de un producto MARUYAMA. MARUYAMA, sus distribuidores y concesionarios desean que usted esté completamente satisfecho con su nuevo producto. No dude en contactar a su distribuidor de servicio autorizado para obtener asistencia en el servicio, partes genuinas de MARUYAMA u otra información que usted pueda requerir.

Cada vez que usted contacte a su distribuidor de servicio autorizado o la fábrica, siempre tenga disponible el número de serie de su producto. Este número ayudará al distribuidor de servicio o al representante de servicio para proveer la información exacta sobre su producto específico. Usted encontrará el modelo y el número de serie localizado en un lugar único en el producto (Descripción del producto en la página ES-12).

Para su conveniencia, escriba el nombre de modelo del producto y el número de serie en el espacio de abajo.

Nombre del modelo _____
Nº de serie _____

Lea cuidadosamente este manual para aprender sobre la manera de operar y efectuar el mantenimiento del producto correctamente. Leer este manual le ayudará a usted y a otros a evitar lesiones personales y daños al producto.

Aunque MARUYAMA diseña, produce y comercializa productos seguros y de la más reciente tecnología, usted será el responsable por usarlos de la manera apropiada y segura. Usted también será responsable por la capacitación de las personas a las que usted permita usar el producto para la operación segura.

El sistema de advertencia de MARUYAMA en este manual identifica los peligros potenciales y tiene mensajes de seguridad especiales que le asistirán a usted y a otros en evitar lesiones personales, o incluso la muerte. PELIGRO, ADVERTENCIA y PRECAUCIÓN son las palabras de señalización usadas para identificar el nivel del peligro. Sin embargo, independientemente del peligro, sea extremadamente cuidadoso.

Las señales **PELIGRO** indican un peligro extremo, que causará lesiones serias o la muerte si las precauciones recomendadas no se siguen.

Las señales **ADVERTENCIA** indican un peligro que puede causar lesiones serias o la muerte si las precauciones recomendadas no se siguen.

Las señales **CUIDADO** indican un peligro que puede causar lesiones menores o moderadas si las precauciones recomendadas no se siguen. También se usan otras palabras para destacar la información. “Importante” llama la atención sobre información mecánica especial y “Nota” enfatiza la información general que merezca atención especial.

Seguridad

Seguridad del operador

1. Lea y comprenda este manual del propietario u operador antes de usar el producto. Familiaríces completamente con el uso apropiado de este producto.
2. Nunca permita que los niños operen la Multi-Cutter. Esto no es un juguete. Nunca permita que los adultos operen la unidad sin leer primero el manual del propietario u operador.
3. Siempre use una protección ocular que cumpla con ANSI (Instituto de Estándares Nacionales Americanos) Z87-1



4. Siempre use protección auditiva.



5. Siempre use pantalones largos, pesados, camisa de manga larga, botas y guantes. No use ropa suelta, joyas, pantalones cortos, sandalias ni ande descalzo. Tómese el cabello de manera que no pase la longitud de los hombros.
6. Nunca opere esta Multi-Cutter cuando esté cansado, enfermo o bajo la influencia del alcohol, las drogas o medicinas.
7. Nunca arranque ni opere el motor dentro de una sala o edificio cerrado. Respirar los humos del escape puede causar la muerte.



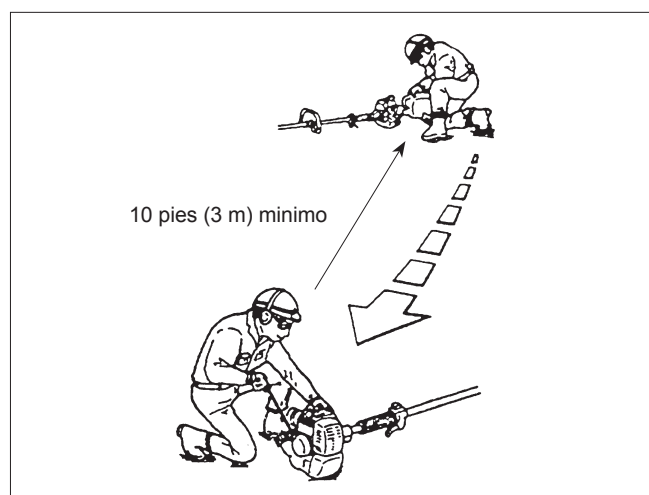
8. Mantenga las manijas limpias de aceite, combustible y suciedad.

Seguridad del Multi-Cutter con accesorios

1. Asegúrese de que la unidad esté correctamente montada y el accesorio correctamente instalado y ajustado con seguridad según se indica en el apartado “Montaje”.
2. Revise la unidad antes de cada uso. Cambie las piezas dañadas. Compruebe si hay fugas de combustible. Asegúrese de que todas las fijaciones estén en su lugar y bien apretadas. Siga las instrucciones de mantenimiento que comienzan en la página ES-18.
3. Asegúrese de que el accesorio no gire en la velocidad de ralentí. Consulte el apartado “Ajuste de la velocidad del Ralentí”, en la página ES-18.
4. Revise el cabezal de la herramienta y cambie cualquier pieza agrietada, resquebrajada o dañada antes de utilizar el Multi-Cutter.
5. Instale todas las protecciones necesarias antes de utilizar el Multi-Cutter o sus accesorios.
Nota: Retire el protector de la cuchilla de los accesorios del cortasetos antes de usarlo.
6. Nunca utilice un cabezal de accesorio o piezas de repuesto no homologadas por MARUYAMA.
7. Realice el mantenimiento del grupo motor del Multi-Cutter y los accesorios conforme a los intervalos y procedimientos recomendados en el apartado “Mantenimiento” página ES-18.
8. Apague el motor y espere hasta que el cabezal del accesorio se haya parado por completo antes de revisar, realizar tareas de mantenimiento o trabajar en el Multi-Cutter.
9. Si registra problemas de funcionamiento o vibración excesiva, pare inmediatamente la unidad e inspecciónela para averiguar cuál es la causa. Si no puede determinarla o no es capaz de arreglarla, devuelva el Multi-Cutter con el accesorio al distribuidor para que lo repare.

Seguridad del combustible

1. La gasolina es altamente inflamable y debe ser manipulada y almacenada cuidadosamente. Use un recipiente aprobado para combustible para almacenar la gasolina y/ o la mezcla de combustible/ aceite.
2. Mezcle y vierta el combustible en exteriores, donde no hayan chispas ni llamas.
3. No fume cerca del combustible o de la Multi-Cutter, o mientras no usa la Multi-Cutter.
4. No llene en exceso el depósito de combustible. Detenga el llenado a 1/4 - 1/2 en. (6 mm – 13 mm) desde la parte superior del depósito.
5. Limpie el combustible salpicado antes de arrancar el motor.
6. Mueva la Multi-Cutter al menos 10 pies (3 m) de la localización del combustible antes de arrancar el motor.

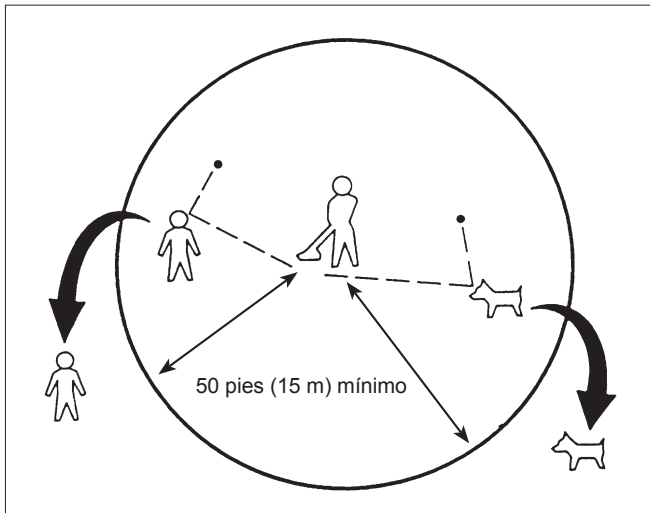


7. No extraiga la tapa de combustible mientras el motor está operando, ni inmediatamente después de detener el motor.
8. Permita que el motor se enfríe antes de rellenarlo de combustible.
9. Drene el depósito y opere el motor seco antes de almacenar la unidad.
10. Almacene el combustible y la Multi-Cutter alejados de fuego, chispas y el calor excesivo. Asegúrese que los vapores de combustible no alcance a las chispas ni el fuego de los calentadores, hornos, motores eléctricos, etc.

Seguridad al utilizar el Multi-Cutter con accesorios

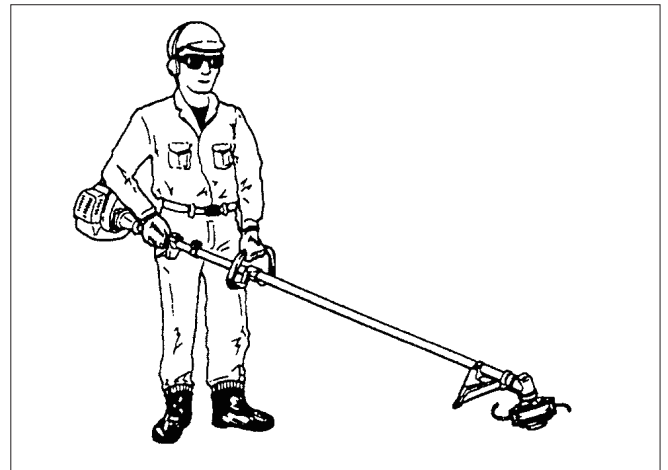
Seguridad al utilizar la recortadora

1. ESTA RECORTADORA PUEDE OCASIONAR LESIONES GRAVES. Lea las instrucciones atentamente. Familiarícese con todos los controles y el uso correcto de la recortadora.
2. Inspeccione la zona de trabajo antes de comenzar. Retire objetos como cristales rotos, puntas, alambres y piedras que pueden convertirse en peligrosos proyectiles si son proyectados por la recortadora. Retire cuerdas, sogas o materiales similares que pueden enredarse en el cabezal.
3. La recortadora cortará y proyectará objetos. Mantenga a los niños, transeúntes y animales fuera de un radio de 50 pies (15 m). en torno al operario y la recortadora. Más allá de 50 pies (15 m). aún puede existir un riesgo de lesión para los transeúntes debido a los objetos que salen despedidos. Se recomienda que los transeúntes empleen protección ocular. Un objeto que sale despedido puede rebotar.



4. Si se le acerca alguien cuando utilice la recortadora, para el motor y la rotación del cabezal de la unidad.
5. Jamás permita que los niños utilicen la recortadora.
6. Use la recortadora sólo con luz diurna o con luz artificial adecuada.
7. Nunca la utilice sin las protecciones apropiadas o sin otros dispositivos de seguridad instalados.

8. Utilice sólo hilo de corte de un filamento, no metálico y flexible con el diámetro correcto. Nunca utilice una cuerda de alambre, una soga, etc.
9. Mantenga siempre la recortadora en el lado derecho de su cuerpo.
10. No alce el cabezal de la recortadora por encima de la cadera.
11. No ponga las manos o los pies cerca o debajo de las piezas en rotación. Mantenga el cuerpo alejado en todo momento. Mantenga alejadas todas las partes del cuerpo del cabezal en rotación y de las superficies calientes como el silenciador.
12. Mantenga un apoyo estable y equilibrado. No adopte una postura forzada.
13. Utilice la herramienta adecuada a la tarea. No utilice la recortadora para tareas no recomendadas por MARUYAMA.



Seguridad al utilizar la bordeadora

1. ESTA BORDEADORA PUEDE OCASIONAR LESIONES GRAVES. Lea las instrucciones atentamente. Familiarícese con todos los controles y el uso correcto de la bordeadora.
2. Asegúrese de haber retirado la llave hexagonal de 3 mm. del cárter y del adaptador de buje antes de arrancar el motor.
3. Inspeccione la zona de trabajo antes de comenzar. Retire objetos como cristales rotos, puntas, alambres y piedras que pueden convertirse en peligrosos proyectiles si son proyectados por la bordeadora. Retire cuerdas, sogas o materiales similares que pueden enredarse en el cabezal.
4. La bordeadora cortará y proyectará objetos. Mantenga a los niños, transeúntes y animales fuera de un radio de 15 m. en torno al operario y la unidad. Más allá de 15 m. aún puede existir un riesgo de lesión para los transeúntes debido a los objetos que salen despedidos. Se recomienda que los transeúntes empleen protección ocular. Un objeto que sale despedido puede rebotar. (Consulte el apartado “Seguridad al utilizar la recortadora”)
5. Si se le acerca alguien cuando utilice la bordeadora, pare el motor y la rotación de la cuchilla de la unidad.
6. Jamás permita que los niños utilicen la bordeadora.
7. Use la bordeadora sólo con luz diurna o con luz artificial adecuada.
8. Nunca la utilice sin las protecciones apropiadas o sin otros dispositivos de seguridad instalados.
9. No ponga las manos o los pies cerca o debajo de las piezas en rotación. Mantenga el cuerpo alejado en todo momento. Mantenga alejadas todas las partes del cuerpo de la cuchilla en funcionamiento de la bordeadora y de las superficies calientes como el silenciador.
10. Mantenga un apoyo estable y equilibrado. No adopte una postura forzada.
11. Utilice la herramienta adecuada a la tarea. No utilice la bordeadora para tareas no recomendadas por MARUYAMA.

Seguridad al utilizar la podadora

1. ESTA PODADORA PUEDE OCASIONAR LESIONES GRAVES. Lea las instrucciones atentamente. Familiarícese con todos los controles y el uso correcto de la podadora.
2. La podadora está diseñada para cortar madera, por lo que es potencialmente peligrosa. El uso incorrecto o imprudente puede ocasionar lesiones graves o incluso letales.
3. Esta podadora puede conducir electricidad. No la utilice cuando pueda hacer contacto con circuitos eléctricos conectados. Nunca la utilice cerca de fuentes y líneas eléctricas. El incumplimiento de esta advertencia puede conducir a lesiones graves o incluso la muerte.
4. Tenga presente en dónde caerá el material después de cortarlo. No permanezca bajo material que vaya a caer.
5. Inspeccione la zona de trabajo antes de comenzar. Retire objetos como cristales rotos, puntas, alambres y piedras que pueden convertirse en peligrosos proyectiles si son proyectados por la podadora. Retire cuerdas, sogas o materiales similares que pueden enredarse en el cabezal.
6. La podadora cortará y proyectará objetos. Mantenga a los niños, transeúntes y animales fuera de un radio de 50 pies (15 m). en torno al operario y la unidad. Más allá de 50 pies (15 m). aún puede existir un riesgo de lesión para los transeúntes debido a los objetos que salen despedidos. Se recomienda que los transeúntes empleen protección ocular. Un objeto que sale despedido puede rebotar. (Consulte el apartado “Seguridad al utilizar la recortadora”)
7. Si se le acerca alguien cuando utilice la podadora, para el motor y la cadena de la unidad.
8. Use la podadora sólo con luz diurna o con luz artificial adecuada.
9. No ponga las manos o los pies cerca o debajo de las piezas en rotación. Mantenga el cuerpo alejado en todo momento. Mantenga alejadas todas las partes del cuerpo de la cadena de la podadora y de las superficies calientes como el silenciador.
10. Mantenga un apoyo estable y equilibrado. No adopte una postura forzada.
11. Mire si hay cables. Mantenga la distancia suficiente de las líneas eléctricas.
12. Utilice la herramienta adecuada a la tarea. No utilice la podadora para tareas no recomendadas por MARUYAMA.

Seguridad al utilizar el cortasetos

1. ESTE CORTASETOS PUEDE OCASIONAR LESIONES GRAVES. Lea las instrucciones atentamente. Familiarícese con todos los controles y el uso correcto del cortasetos.
2. El cortasetos está diseñado para podar ramaje, por lo que es potencialmente peligroso. El uso incorrecto o imprudente puede ocasionar lesiones graves.
3. Inspeccione la zona de trabajo antes de comenzar. Retire objetos como cristales rotos, puntas, alambres y piedras que pueden convertirse en peligrosos proyectiles si son proyectados por el cortasetos. Retire cuerdas, sogas o materiales similares que pueden enredarse en el mecanismo de corte de la unidad.
4. Mantenga a los niños, los observadores y los animales fuera de área de operación.
5. Si se le acerca alguien cuando utilice el cortasetos, pare el motor y las cuchillas.
6. Jamás permita que los niños utilicen el cortasetos.
7. Use el cortasetos sólo con luz diurna o con luz artificial adecuada.
8. No ponga las manos o los pies cerca o debajo de las piezas en movimiento. Mantenga el cuerpo alejado en todo momento. Mantenga alejadas todas las partes del cuerpo de la cuchilla y de las superficies calientes como el silenciador.
9. Mantenga un apoyo estable y equilibrado. No adopte una postura forzada.
10. Utilice la herramienta adecuada a la tarea. No utilice el cortasetos para tareas no recomendadas por MARUYAMA.

Seguridad al utilizar el motocultor

1. ESTE MOTOCULTOR PUEDE OCASIONAR LESIONES GRAVES. Lea las instrucciones atentamente. Familiarícese con todos los controles y el uso correcto del motocultor.
2. No utilice el motocultor cerca de piedras, gravilla y materiales similares que podrían convertirse en proyectiles lesivos.
3. Inspeccione la zona de trabajo antes de comenzar. Retire objetos como cristales rotos, puntas, alambres y piedras que pueden convertirse en peligrosos proyectiles si son proyectados por el motocultor. Retire cuerdas, sogas o materiales similares que pueden enredarse en el cabezal.
4. El motocultor cortará y proyectará objetos. Mantenga a los niños, transeúntes y animales fuera de un radio de 50 pies (15 m). en torno al operario y la unidad. Más allá de 50 pies (15 m). aún puede existir un riesgo de lesión para los transeúntes debido a los objetos que salen despedidos. Se recomienda que los transeúntes empleen protección ocular. Un objeto que sale despedido puede rebotar. (Consulte el apartado “Seguridad al utilizar la recortadora”)
5. Si se le acerca alguien cuando utilice el motocultor, para el motor y la rotación de la herramienta de cultivo.
6. Use el motocultor sólo con luz diurna o con luz artificial adecuada.
7. No ponga las manos o los pies cerca o debajo de las piezas en rotación. Mantenga el cuerpo alejado en todo momento. Mantenga alejadas todas las partes del cuerpo de la herramienta en rotación y de las superficies calientes como el silenciador.
8. Pare el motor inmediatamente si se atascan los dientes del motocultor. Asegúrese de que todas las piezas en movimiento se hayan detenido y desconecte la bujía antes de intentar eliminar cualquier obstrucción.
9. Utilice la herramienta adecuada a la tarea. No utilice el motocultor para tareas no recomendadas por MARUYAMA.

Símbolos Adhesivos de Seguridad

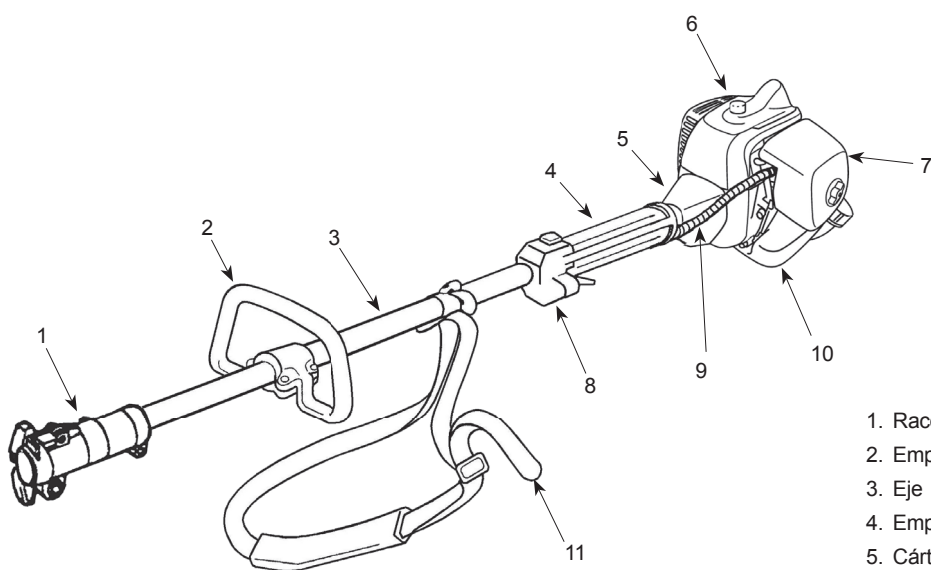


Los símbolos Adhesivos de Seguridad son de fácil visibilidad y están localizados cerca de los lugares de peligro. Vuelva a poner cualquier símbolo adhesivo en caso de que esté deteriorado o haya sido despegado/s.

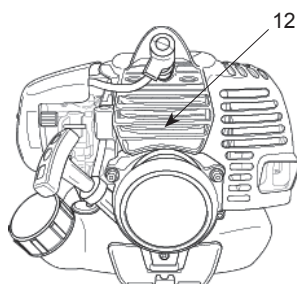
Descripción del Producto

M27QC/M30QC

(Grupo motor del Multi-Cutter)

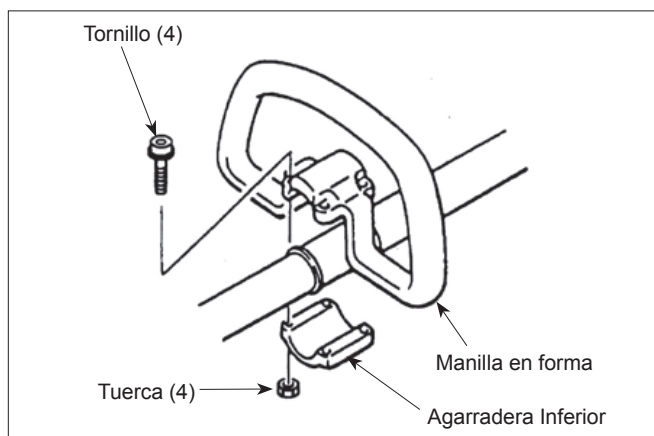


1. Racor de eje
2. Empuñadura circular
3. Eje
4. Empuñadura del eje
5. Cáster del tambor del embrague
6. Motor
7. Filtro de aire
8. Gatillo del acelerador e interruptor de parada
9. Cables del acelerador y Cables del interruptor de parada
10. Depósito de combustible
11. Cinta para el Hombro



Montaje

Instalación del manillar en forma



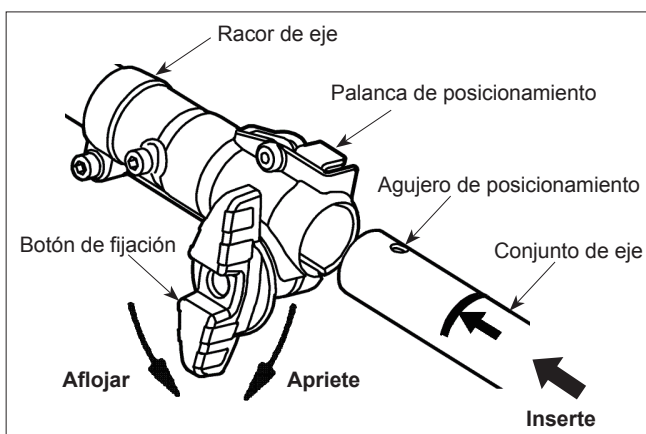
1. Coloque el Manguito de goma en el eje aproximadamente 11 pulgadas (28 cm) a partir del final del gatillo del Acelerador e Interruptor de parada para una posición de mango inicial.
2. Gire el Manguito de goma por lo que la división es a un lado.
3. Coloque el Manillar en forma y la Agarradera inferior sobre el Manguito de goma.
4. Instale los cuatro tornillos y tuercas. Deje los tornillos a prueba del dedo.
5. Coloque de nuevo el Manillar en Forma o abajo el árbol motor a la posición más cómoda, pero no más cerca que 9 pulgadas (22.8 cm) a partir del final del interruptor de parada.
6. Apriete los tornillos y tuercas.



Cómo conectar y separar los accesorios al grupo motor

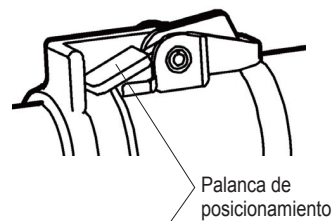
Conectar

1. Primero, afloje el botón de fijación para poder insertar el conjunto de eje en el racor de tubo. Tenga cuidado de no aflojar demasiado el botón de fijación para evitar que se caiga.
2. Inserte el eje del accesorio al racor de eje con el agujero de posicionamiento enfrente como se muestra. Conecte los ejes de transmisión tanto completamente en el juego posición moviendo el conjunto del eje para reenviar y hacia atrás y de vuelta y vuelta a la derecha a la izquierda. Cuando el conjunto de eje está colocado correctamente, primavera tensado palanca de posicionamiento será devuelto a la posición inicial.



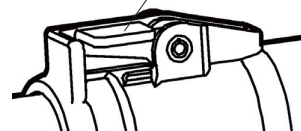
Montaje Incorrecto

Palanca de posicionamiento se baja del estado



Montaje Correcto

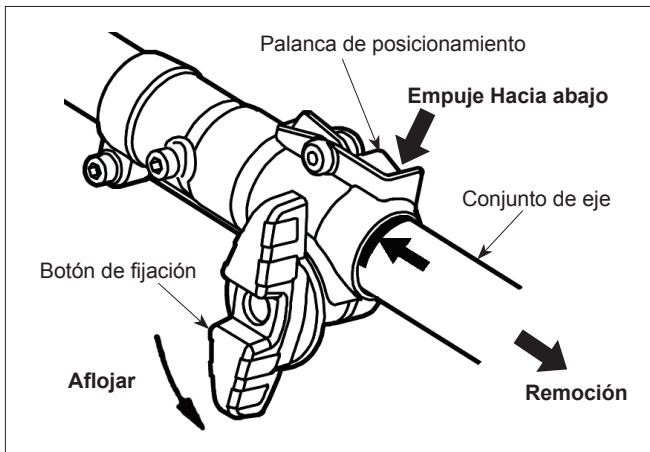
Palanca de posicionamiento se levantó el estado



3. Apriete firmemente la botón de fijación.

Separar

- 1 Primero, afloje el botón de fijación para poder quitar el eje del accesorio desde el racor de tubo.
- 2 Extraiga el conjunto del eje desde el racor de eje con mantener la palanca de posicionamiento hacia abajo.
- 3 Tenga cuidado de no aflojar demasiado el botón de fijación para evitar que se caiga.



Colocación del cinta para colgar del hombro

⚠ ADVERTENCIA

PERIGRO POTENCIAL

- Sin la Cinta para el Hombro Sujeto a la Desbrozadoras/ Cortadoras de hierba, la cochlea puede producir un efecto lateral y este exponer a que el usuario o a que terceras personas se pongan en contacto directo con la cuchilla.

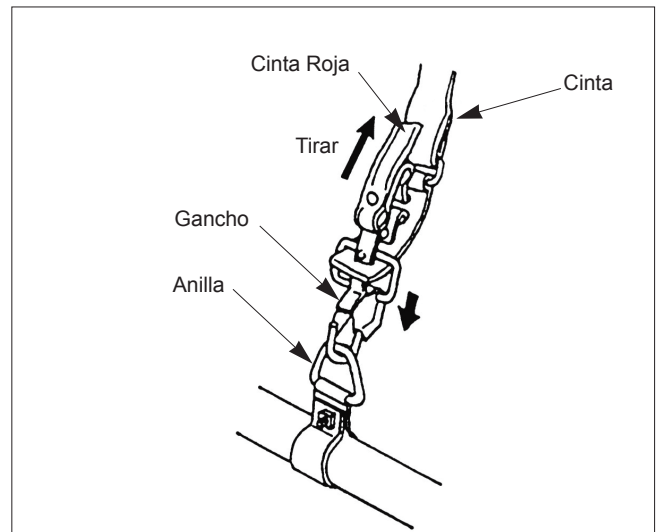
QUÉ PUEDE OCURRIR

- Un contacto con la cuchilla, puede causar severos daños personales.

CÓMO EVITAR EL PELIGRO

- No utilice nunca la desbrozadora sin instalación y uso de la cinta para el hombro.

Cierre el gancho localizado en el anillo del eje direccional. Para quitar el Cinta o Correa de manera rápida, tire hacia arriba de la Cinta Roja.



Antes De Utilizar

Aceite y Combustible

⚠ Peligro

PELIGRO EN POTENCIA

- En ciertas condiciones la gasolina es un producto extremadamente inflamable y altamente explosiva.

QUÉ PUEDE PASAR

- Un fuego o una explosión puede quemarle a Usted o a terceras personas y puede dañar objetos de la propiedad.

CÓMO PUEDO EVITAR ESTE PELIGRO

- Use un embudo y proceda a llenar el depósito de combustible en el exterior, en espacios abiertos, cuando la gasolina este fría.
- No llene completamente el depósito. Añada gasolina en el depósito de gasolina hasta que esta llegue a 1/4 to 1/2 en. (6 mm to 13 mm) por debajo del cuello superior de llenado.
- Este espacio vacío en el depósito de gasolina deja que la gasolina se expanda.
- No fume nunca cuando manipule gasolina, y alejese de cualquier fuego abierto cuando manipule gasolina o el contenedor y manténgalo fuera del alcance de niños.
- No mezcle gasolina para más de al mes de previsión de su uso.

1. No fume cerca del combustible.
2. Mezcle y vierta el combustible en espacios abiertos y donde no haya fuego o llamas.
3. Siempre apague el motor antes de proceder al llenado de combustible. Nunca quite la tapa del depósito de combustible mientras el motor este funcionando o inmediatamente después de haber parado el motor.

⚠ ADVERTENCIA

QUÉ PUEDE PASAR

- El combustible puede salir disparado cuando Usted abre la tapa del depósito.

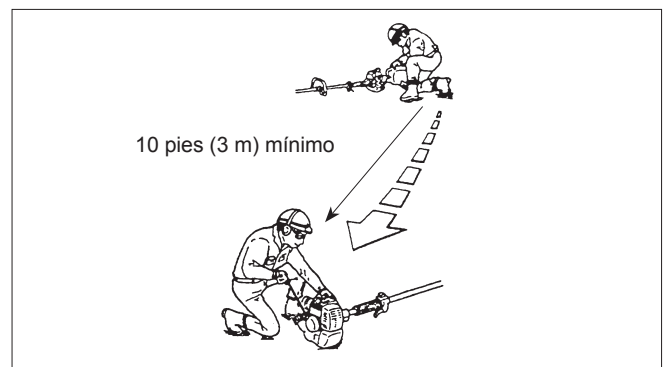
CÓMO PUEDO EVITAR ESTE PELIGRO

- Quite la tapa del depósito de combustible despacio para evitar que sufra cualquier daño a causa del combustible.

PELIGRO EN POTENCIA

- La gasolina contiene gases volátiles que pueden producir presión en el interior del depósito de combustible

4. Abra siempre la tapa del combustible despacio para que la posible presión acumulada en el interior del depósito salga de una manera segura.
5. No sobrellene el depósito de combustible. Pare de verter combustible al llegar a 1/4 - 1/2 en. (6mm - 13mm) del borde superior del depósito.
6. Apriete la tapa del depósito de combustible con cuidado pero de manera segura después de haberlo rellenado.
7. Seque cualquier vertido de combustible que pudiera haberse vertido antes de proceder al llenado.
8. Aleje la Multi-Cutter como mínimo 10 pies (3 m) del lugar de llenado de combustible y almacenaje del contenedor de combustible antes de arrancar el motor.



Tipo de Aceite Recomendado

Úsese solamente en aceite para motor de dos tiempos formulado para uso en motores de dos tiempos enfriados por aire de alto rendimiento. El aceite de 2 tiempos de marca MARUYAMA ha sido formulado para uso en motores de dos tiempos enfriados por aire, de alto rendimiento.

IMPORTANTE: No use aceites certificados por la Asociación de Fabricantes Marinos Nacional (NMMA) o BIA. Este tipo de aceite de motor de 2 tiempos no tiene los aditivos apropiados para los motores de 2 tiempos enfriados por aire y puede causar daños al motor.

No use aceite para automóviles. Este tipo de aceites no contiene los aditivos adecuados necesarios para el uso en motores de dos tiempos refrigerados por aire y pueden causar daños en el motor.

Tipo de combustible recomendado

Use gasolina sin plomo fresca y limpia, incluyendo gasolina *oxigenada o reformada*, con octanaje de 89 o mayor. Para asegurar la frescura, compre sólo la cantidad de gasolina que pueda ser usada dentro de 30 días.

El uso de gasolina libre de plomo resulta en menores depósitos en la cámara de combustión y una vida de la bujía más prolongada. El uso de combustible de grado Premium no es necesario ni recomendado.

Uso de aditivos de combustible

IMPORTANTE: NUNCA USE ALCOHOL, GASOHOL QUE CONTENGA MÁS DE 10% DE ALCOHOL A QUE ESTO PODRÍA RESULTAR EN DAÑO AL SISTEMA DE COMBUSTIBLE DEL MOTOR.

NO USE ADITIVOS DE COMBUSTIBLE DISTINTOS DE AQUELLOS MANUFACTURADOS PARA LA ESTABILIZACIÓN DEL COMBUSTIBLE DURANTE EL ALMACENAMIENTO, TALES COMO EL ESTABILIZADOR/ ACONDICIONADOR DE MARUYAMA O UN PRODUCTO SIMILAR. EL ACONDICIONADOR /ESTABILIZADOR DE MARUYAMA ES UN DESTILADO DE PETRÓLEO.

MARUYAMA NO RECOMIENDA ESTABILIZADORES CON BASE DE ALCOHOL TALES COMO ETANOL, METANOL O ISOPROPILO. NO SE DEBERÍAN USAR ADITIVOS PARA INTENTAR MEJORAR LA POTENCIA O EL RENDIMIENTO DE LA MÁQUINA.

Mezcla de Gasolina y Aceite

IMPORTANTE: El motor usado en la Multi-Cutter está diseñado como motor de dos tiempos. Las partes móviles internas del motor, ejemplo: los cojinetes del cigüeñal, cojinetes del pistón y el pistón, y las superficies de las paredes del cilindro, requieren aceite mezclado con gasolina como lubricante.

La ausencia por error de mezclar aceite con gasolina o el no añadir una proporción adecuada de aceite con la gasolina causará un daño al motor que no está cubierta en la garantía.

Para su mezcla previa de combustible, use la mezcla de aceite de 2 tiempos Premium de MARUYAMA, o equivalente al aceite ISO-L-EGD y JASO FD con gasolina de alta calidad de mínimo de 89 octanos. El aceite de 2 tiempos de MARUYAMA está formulado especialmente para satisfacer los requerimientos de los motores de 2 tiempos enfriados por aire, de baja emisión y de alto rendimiento. El uso de otros aceites puede llevar a problemas de servicio que podrían no ser cubiertos por su garantía.

Mezcla de combustible

Combustible: La relación es de 50 partes de gasolina por 1 parte de aceite o 50:1.



Nota: Nunca use una relación de mezcla de menos de 50:1 independientemente de las instrucciones de mezcla del paquete de aceite. Las relaciones de menos de 50:1 (por ejemplo; 60:1, 80:1, 100:1) reducen la cantidad de lubricación a las partes móviles internas del motor y pueden causar daños.

Diagrama de mezclas de combustible

Gasolina	Aceite de 2 tiempos, 50:1
1 galón	2.6 onzas.
2 galones	5.1 onzas.
5 galones	12.8 onzas.
1 litro	20 mL
5 litros	100 mL

Instrucciones sobre la Mezcla

IMPORTANTE: No mezcle nunca el aceite con la gasolina en el depósito de combustible de la Multi-Cutter directamente.

1. Siempre mezcle el combustible y el aceite en un contenedor limpio adecuado para gasolina.
2. Señale el contenedor para identificarlo como contenedor para la mezcla de gasolina con aceite para la Multi-Cutter.
3. Use gasolina regular sin plomo y llene el contenedor con la mitad de gasolina requerida.
4. Vierta la correcta cantidad de aceite en el contenedor y después el resto de la cantidad de gasolina.
5. Cierre el contenedor de manera segura y agítelo por un instante para conseguir que el aceite se mezcle con la gasolina de manera apropiada antes de llenar el depósito de la Multi-Cutter.

6. Cuando rellene el depósito de combustible de la Multi-Cutter, limpie alrededor de la tapa del depósito para evitar que cualquier suciedad o partícula entre en el depósito de combustible cuando quitemos la tapa.
7. Siempre agite la pre-mezcla del contenedor de la mezcla antes de proceder al llenado del depósito.
8. Siempre use un embudo para proceder al llenado del depósito así evitará que se desparrame.
9. Llène solo hasta 1/4-1/2en. (6 mm-13 mm) de la parte superior del depósito. Evite llenar el depósito hasta el cuello de llenado.

Arranque y parada

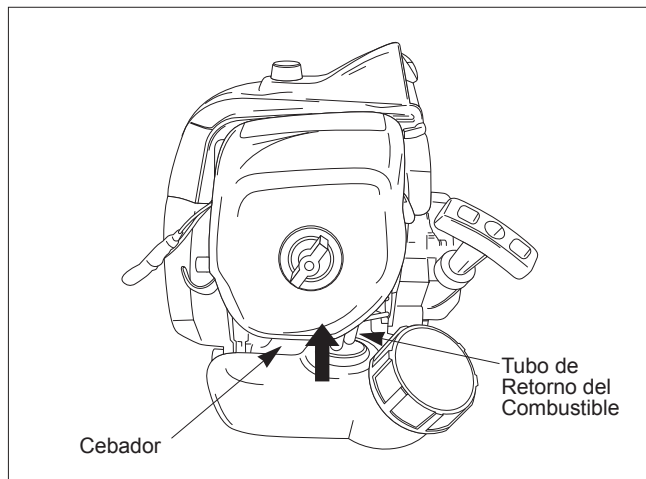
Antes de Arrancar el Motor

1. Llène el depósito de combustible de la manera indicada en la sección “Antes de Utilizar” este manual(ES-15).
2. Deje la Multi-Cutter apoyada sobre el suelo.
3. Asegúrese de que el dispositivo de corte esta libre de toda partícula como por ejemplo, cristales rotos, clavos, cables, rocas o otra clase de desechos.
4. Mantenga a personas, niños y animales alejados del area de trabajo.

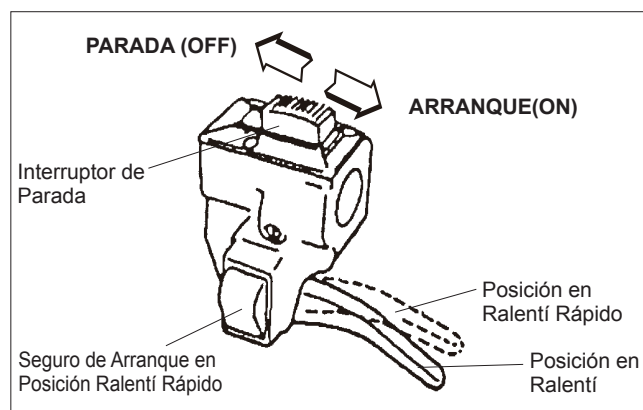
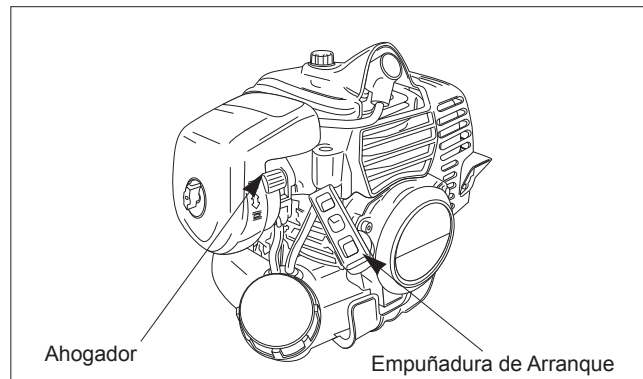
Procedimiento para el Arranque en Frio

El carburador de este motor cuenta con un sistema cebador. Para arrancar un motor “en frio” de manera adecuada, siga el siguiente procedimiento:

1. Bombeé el cebador hasta que el combustible pueda verse a través del tubo de combustible y que este se dirige al depósito de combustible. La corriente de combustible deberá verse casi claramente, que no esté lleno de burbujas de aire.



2. Cierre la palanca del ahogador llevándola a la posición de cerrada () y con el dispositivo de encendido en “ON” encendido.



⚠ ADVERTENCIA

PELIGRO POTENCIAL

- Los componentes de su recoilstarter montaje están bajo alta tensión del muelle. Si incorrectamente desmontado estas piezas usted maystrike con una fuerza considerable, posiblemente causando injuly personal.

QUÉ PUEDE OCURRIR

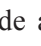
- El contacto con las partes puede causar severas lesiones personales.

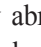
CÓMO EVITAR EL PELIGRO

- Nunca intente desmontar el retroceso conjunto del arranque usted mismo. Siempre consulte a su autorizado MARUYAMA distribuidor para su reparación por personal cualificado.

⚠ CUIDADO


- No tire el cordel de arranque hasta el fin.

3. El gatillo del acelerador en la posición de ralenti rápido, tire del cordel de arranque.
4. Después que el motor haya arrancado, lleve la palanca del ahogador a la posición de abierta (). Entonces accione y afloje el gatillo del acelerador para dejar que vuelva a la posición de ralenti.

Si el motor se para, pon usted el acelerador en la posición de abierto (): Siga y abra el ahogador, tire del la palanca de arranque con el gatillo del acelerador puesto en posición en ralenti rápido “Fast Idle”.

Arranque en Caliente

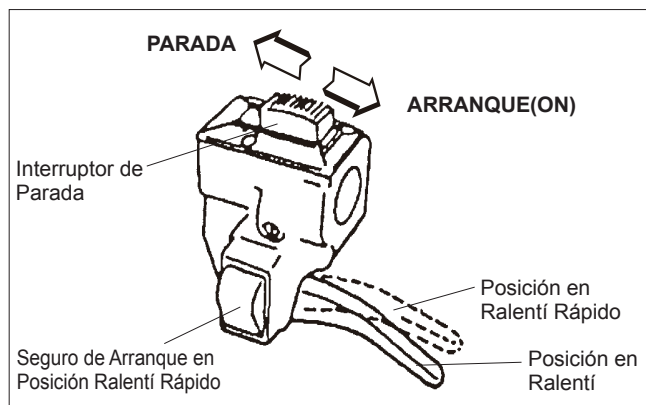
Para volver a arranca el motor una vez de que éste caliente (arranque en caliente) o si la temperatura ambiente supera los 68°F (20°C):

1. Bombear el cebador hasta que el combustible puede verse a través del tubo de combustible y que este se dirige al tanque de combustible.
2. Ponga la palanca del ahogador en la posición de abierta (), y ponga el dispositivo de arranque en la posición de arranque “ON”.
3. Deje el gatillo del acelerador en la posición de ralenti y tire de la empuñadura de arranque.
4. Si el motor no arranca después de tres o cuatro intentos, siga las instrucciones del procedimiento de arranque en Frio en la sección de arriba (ES-17).

Si el motor tampoco arrancase siguiendo el procedimiento arriba descrito, póngase en contacto con el concesionario de MARUYAMA.

Para Parar El Motor

1. Suelte el gatillo del acelerador.
2. Ponga el dispositivo de parada en la posición “PARADA”.



Mantenimiento

El mantenimiento, reemplazo o reparación de los dispositivos y sistemas de control de emisiones puede ser efectuado por una taller especializado o individuo; sin embargo, las reparaciones bajo la garantía deben ser efectuadas por un distribuidor o centro de servicio autorizado por MARUYAMA Manufacturing Company, Inc. El uso de las partes que no sean equivalentes en rendimiento y durabilidad a las partes autorizadas puede inhabilitar la efectividad del sistema de control de emisiones y pueden tener un efecto sobre el resultado del reclamo de la garantía.

El mantenimiento de los motores actuales de bajas emisiones es incluso más decisivo para lograr una vida útil más larga y un mejor rendimiento. Especialmente cruciales son los filtros de aire y de combustible, el valor térmico de la bujía, la zona de entrada de aire de refrigeración y los huelgos adecuados de la bobina y la bujía.

Ajuste de la Velocidad del Ralenti

Esta Multi-Cutter está equipada con un carburador para mezcla de combustible no-ajustable. La velocidad del ralenti es la única parte ajustable por el operario.

⚠ ADVERTENCIA

- Ajuste de la velocidad del ralenti debe ser revisado cada vez que se utiliza la unidad.

⚠ ADVERTENCIA

PELIGRO POTENCIAL

- El motor debe estar en funcionamiento para proceder a ajustes.
- Cuando el motor est en funcionamiento, las partes conectadas est n en movimiento.

QUÉ PUEDE PASAR

- Un contacto directo con la herramienta suplemento o con otras partes en movimiento pueden causar una grave lesión en las personas o la muerte.

CÓMO PUEDO EVITAR ESTE PELIGRO

- Mantenga manos, pies y la vestimenta alejada del la herramienta-suplemento y otras partes en movimiento.
- Mantenga a terceras personas y a animales fuera del alcance de la unidad mientras haga ajustes.

El accesorio de corte puede que esté en movimiento durante el ajuste de la velocidad del ralentí.

Use el equipo de protección personal recomendado y tenga en cuenta todas las instrucciones sobre seguridad. Mantenga manos y cuerpo fuera del alcance de la herramienta incorporada (cuchilla, etc).

Cuando el gatillo del acelerador no está siendo presionado, el motor deberá volver a la velocidad de ralentí.

La velocidad correcta del ralentí es de 2700-3300 RPM (o justo por debajo de la velocidad del embrague).

La herramienta conectada no tienen que estar en movimiento y el motor no debe calarse (pararse) a la velocidad de ralentí. Para ajustar la velocidad del ralentí, gire el tornillo de ajuste del ralentí localizado sobre el carburador.



- Gire el tornillo de ajuste del ralentí (hacia la derecha) para incrementar la velocidad del ralentí del motor.
- Gire el tornillo de ajuste del ralentí (hacia la izquierda) para disminuir la velocidad del ralentí del motor.

Si el ajuste de la velocidad del ralentí es necesario, y si después de su ajuste la herramienta cortadora incorporada a la unidad gira o el motor se cala, ¡pare la Multi-Cutter inmediatamente!

Póngase en contacto con el concesionario autorizado por MARUYAMA para que le asista.

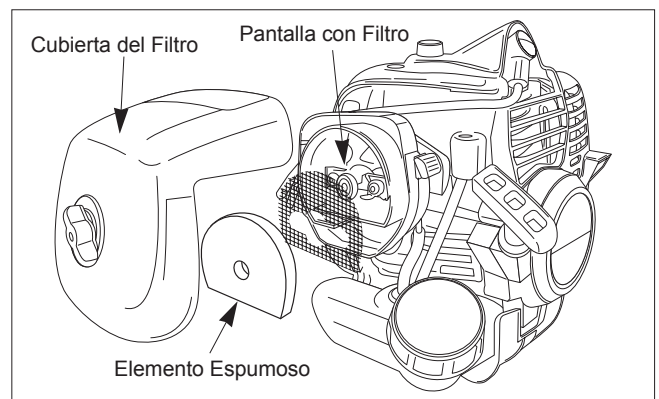
Filtro del Aire

Periodos en los que es Necesario Verificar

- El filtro del aire debe ser limpiado **diariamente**, o más a menudo cuando se trabaja en un entorno en donde haya mucho polvo.
- Repóngalo cada 100 horas de trabajo.

Limpieza del Filtro del Aire

1. Suelte el pomo y quite la tapa del filtro de aire.
2. Quite el elemento de material espumoso y la pantalla con filtro.
3. Limpie el elemento de material espumoso y la pantalla con filtro con agua templada ligeramente enjabonada. Déjelo secar completamente.
4. Aplique una ligera capa de aceite de motor (SAE 30 o equivalente viscosidad) al elemento espumoso y quite el exceso de aceite haciendo presión sobre el mismo.
5. Vuelva a montar el elemento espuma en el cuerpo del filtro de aire.
6. Vuelva a instalar la cubierta del filtro de aire y apriete el pomo.



Filtro del Combustible

Periodos en los que es Necesario Verificar

El filtro del combustible debe ser cambiado cada 100 horas de trabajo.

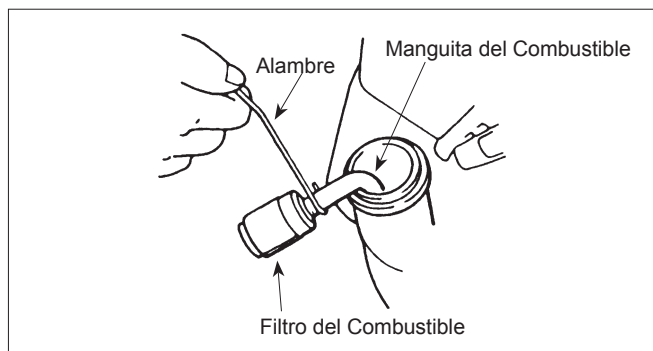
Filtros de combustible que necesitan una sustitución más frecuente puede indicar los residuos en el depósito de combustible.

Cambio del Filtro de Combustible

El filtro del combustible está fijado en el extremo de la manguita para el combustible, dentro del depósito.

Para cambiar el filtro del combustible:

1. Asegúrese que el depósito de combustible está vacío.
2. Quitar la tapa del depósito de combustible.
3. Usando un gancho de alambre, saque cuidadosamente el filtro del combustible a través de la boca del depósito. Tenga cuidado de no dañar el tubo de combustible. Cámbielo inmediatamente si está pinchado.
4. Agarre la manguita del combustible que esta cerca del filtro de combustible y quite el filtro del combustible, pero no suelte la manguita.
5. Mientras tiene la manguita con la mano, reponga el nuevo filtro.
6. Ponga el nuevo filtro en la posición original dentro del depósito.
7. Asegúrese de que el filtro no está atascado en la esquina del depósito, y de que la manguita del combustible no esta doblada antes de rellenar el depósito de combustible.



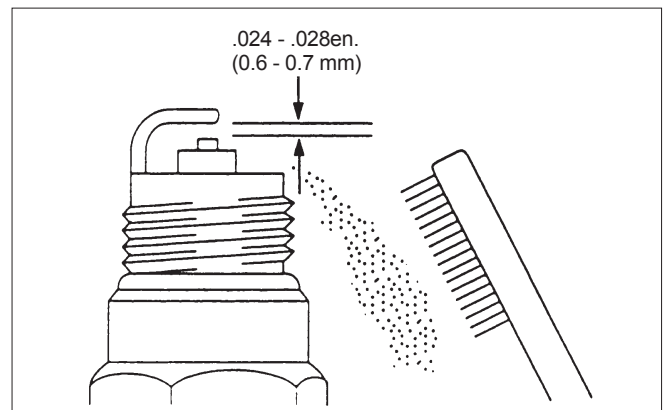
Bujía

Periodos en los que es Necesario Verificar

- La bujía debe ser desmontada del motor y debe ser verificada cada 25 horas de trabajo.
- Cambie la bujía cada 100 horas de trabajo.

Mantenimiento de la Bujía

1. Mueva la pipa de alta tensión de la bujía de atrás adelante una cuantas veces para que está se aligere y saquela fuera de la bujía.
2. Quite la bujía.
3. Limpie los electodos con un cepillo duro.
4. Ajuste la distancia del electrodo de tal manera que quede de entre .024 - .028 en. (0.6 - 0.7 mm) de distancia.



5. Cambie la bujía si está sobre engrasada, dañada o si los electodos están desgastados.
6. No apriete demasiado la bujía cuando la monte sobre el motor. La fuerza de torque es de 95 - 148 en. - lbs. (10.7- 16.6 N•m).
7. Use siempre sólo el rango de calor específico de bujía. Esto es particularmente crítico con baja emisión de hoy motores. Para obtener los mejores resultados, utilice el exacto reemplazo.

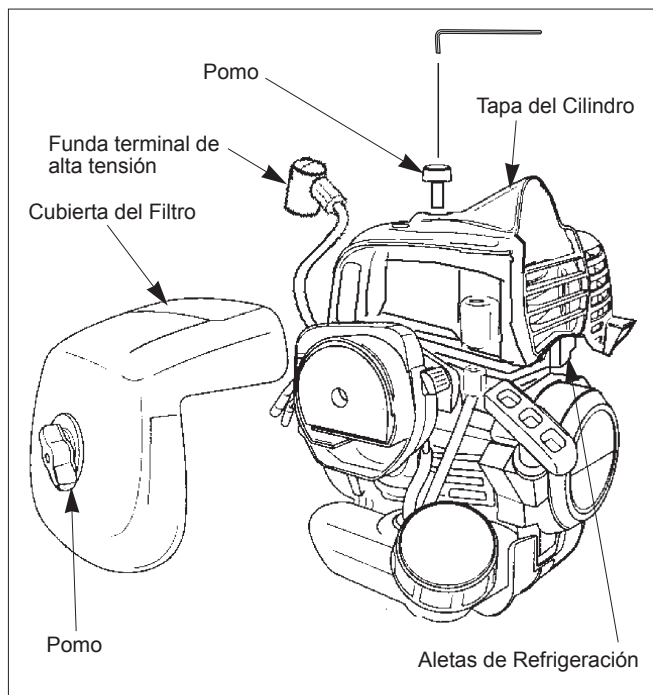
Aletas del cilindro de refrigeración

Intervalo de mantenimiento

- Las aletas del cilindro de refrigeración deben limpiarse cada 25 horas de funcionamiento o una vez a la semana, lo que se produzca primero.
- El aire debe fluir libremente alrededor y a través de las aletas del cilindro de refrigeración para evitar que el motor se recaliente. La acumulación de hojas, césped, suciedad y desechos en las aletas aumentará la temperatura de funcionamiento del motor, lo que puede reducir el rendimiento del motor y acortar la vida del motor.

Limpeza de las aletas de refrigeración

1. Con el motor a la temperatura ambiente (de la sala), suelte el pomo y remueva la cubierta del filtro.
2. Tuerza la funda terminal de alta tensión sobre la bujía hacia la frente y atrás un par de veces para aflojar la funda y entonces sacarla de la bujía.
3. Afloje el pomo y levante la tapa del cilindro.
4. Limpie toda la suciedad de las aletas refrigeradoras y de la base del cilindro.
5. NO descuide la limpieza de la zona de entrada del aire de refrigeración situada debajo del cárter del cigüeñal y sobre el depósito de combustible. Para que el motor funcione correctamente, esta zona debe estar libre de residuos y obstrucciones.
6. Reinstale el cilindro y las cubiertas de filtro de aire.



Matachispas

Intervalo de mantenimiento

⚠ ADVERTENCIA

PELIGRO POTENCIAL

- La superficie del silenciador se calienta cuando la Multi-Cutter esté en operación y permanece caliente por algún tiempo después que el motor se ha apagado.

QUÉ PUEDE SUCEDER

- El contacto con la superficie del silenciador caliente podría causar una quemadura.

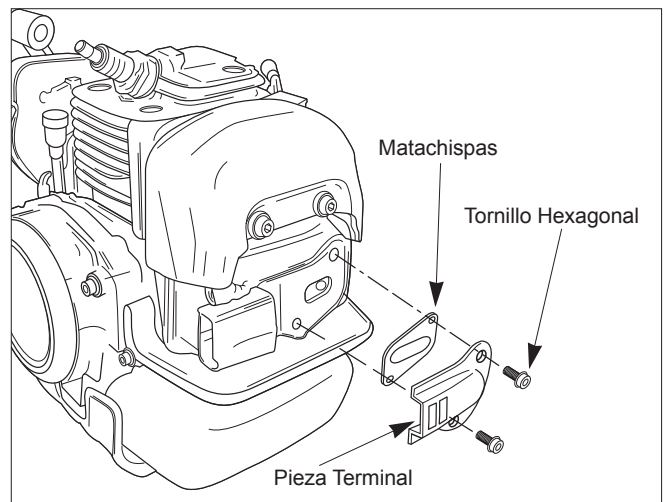
CÓMO PUEDO EVITAR ESTE PELIGRO

- Asegúrese que el silenciador esté frío antes de inspeccionar y limpiar la protección contra chispas.

- Debería examinar y limpiar el matachispas después de cada 25 horas de uso.
- Cambie el filtro si no puede limpiarlo a fondo o si está dañado.

Mantenimiento del matachispas

1. Con el motor a la temperatura ambiental, suelte la perilla y remueva la cubierta de filtro de aire.
2. Suelte la perilla y levante la cubierta del cilindro.
3. Remueva un tornillo localizado en la parte lateral de la salida de escape que retiene la protección contra chispas en posición.
4. Extraiga la protección contra chispas, luego use un par de alicates apropiado.



Nota: No triture ni distorsione la brida de la protección contra chispas durante la remoción.

5. La pantalla puede ser limpiada usando un solvente no inflamable y un cepillo de alambres duros.

Nota: Si cualquier parte no puede ser limpiada completamente, debe ser reemplazada.

6. Para instalar, inserte la protección contra chispas en la salida de escape mientras alinea los orificios en la brida del protector y la salida para el tornillo de retención. Luego instale el tornillo.
7. Reinstale el cilindro y las cubiertas de filtro de aire.

Silenciador de escape

Intervalo de mantenimiento

El silenciador debe ser inspeccionado y limpiado después de 100 horas de uso.

Mantenimiento del silenciador

1. Con el motor a la temperatura ambiente (de la sala), suelte el pomo y remueva la cubierta del filtro.
2. Tuerza la funda terminal de alta tensión sobre la bujía hacia la frente y atrás un par de veces para aflojar la funda y entonces sacarla de la bujía.
3. Afloje el pomo y levante la tapa del cilindro.
4. Remueva la protección contra chispas (refiérase al mantenimiento de la protección contra chispas). Limpie el silenciador con un cepillo duro.

IMPORTANTE: No usar solvente para la limpieza interna del silenciador, ya que el convertidor catalítico está dentro del silenciador.

Tomar cuidado para no dejar que suciedad o residuos caigan dentro del conducto de escape, puesto que esto puede causar daños al motor.

5. Reinstale la trampa de chispas y la cola en el silenciador y entonces reinstale y ajuste los dos tornillos de cabeza hueca.
6. Reinstale el cilindro y las cubiertas de filtro de aire.

El general limpiando y apretándose

La Multi-Cutter de MARUYAMA ofrece un máximo rendimiento durante muchas, muchas horas si se aplica un trabajo de mantenimiento adecuado. Un correcto trabajo de mantenimiento incluye una verificación regular de que todas las piezas están ajustadas correctamente, así como la limpieza de la maquina en su conjunto.

ADVERTENCIA

PERIGRO EN POTENCIA

- Cuando el motor está en funcionamiento, las herramienta cortadora y otras partes están en movimiento.

QUÉ PUEDE PASAR

- Un contacto con las pieza ajustada al rotor u otras partes de la unidad pueden causar serias lesiones en las personas o la muerte.

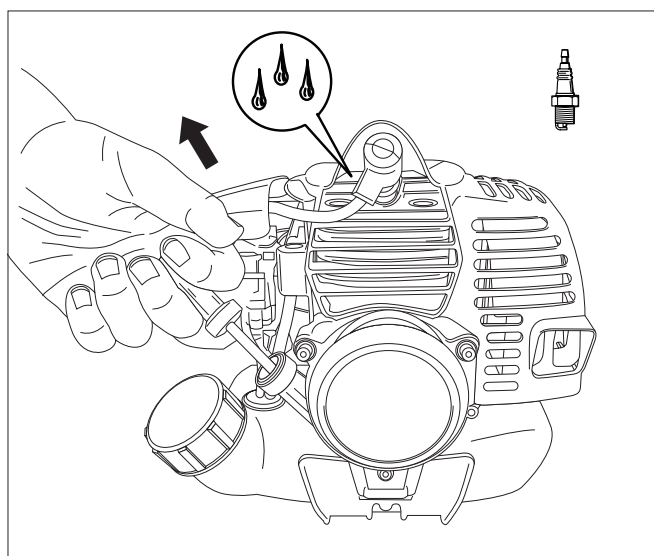
QUÉ PUEDO HACER PARA EVITAR ESTE PELIGRO

- Pare siempre el motor de la Multi-Cutter de proceder a su limpieza o cualquier tipo de mantenimiento en la unidad.

Almacenaje

Para proceder a almacenar la Multi-Cutter durante un largo periodo de tiempo:

1. Vacíe el depósito del combustible y vierta el contenido en un contenedor para su adecuado almacenaje.
2. Bombee la pera de cebado en el carburador hasta que todo combustible se descarga a través del tubo de retorno del combustible.
3. Ponga en funcionamiento el motor para vaciar totalmente el combustible que pueda haber en el carburador.
4. Proceda a efectuar todas las labores de mantenimiento regulares y a la reparación de cualquiera de sus partes que necesiten dicha reparación.
5. Desmonte la bujía y vierta una pequeñísima cantidad de aceite de motor en el cilindro.
6. Tire de la empuñadura de arranque una vez.
7. Tire de la empuñadura de arranque despacio para que el pistón se posicione en el borde superior del cilindro (TDC).
8. Vuelva a colocar la bujía.
9. Almacene la Multi-Cutter en lugar seco y lejos de toda fuente de calor, llamas o fuego.



⚠ CUIDADO

PELIGRO EN POTENCIA

- Puede que una cantidad de aceite le salpique desde la apertura de la bujía cuando intente tirar de la empuñadura del arranque.

QUE PUEDE PASAR

- El aceite puede producir lesiones oculares.

CÓMO PUEDE EVITAR ESTE PELIGRO

- Proteja sus ojos y mantenga su cara alejada de la apertura de la bujía.

Problemas

Problema	Causa	Qué se debe hacer
El motor no arranca	El interruptor de parada (“Stop”) está en posición de parada (“off”) Depósito vacío El motor está inundado	Mueva el interruptor a la posición “On” Llene el depósito Siga el procedimiento de arranque de motor en caliente
Problema de ralentí	La velocidad del ralentí es incorrecta	Vuelva a ajustar el ralentí
Al motor le falta fuerza, se ahoga/cala cuando corta	El cable del acelerador no está tensado El filtro del aire está sucio Protector contra chispas u orificio de escape tapados.	Tense el cable del acelerador Limpie el filtro del aire o cámbielo Limpie el protector contra chispas u orificio de escape.

Si necesita mayor ayuda póngase en contacto con el concesionario autorizado por MARUYAMA.

Período de mantenimiento

Mantenimiento	Diario	Cada 25 horas	Cada 50 horas	Cada 100 horas
Verificación y relleno de combustible	●			
Verificación por filtración de combustible	●			
Verificación de los pernos, tuercas y tornillos por apriete o falta	●			
Comprobar el ajuste de ralentí del motor	●			
■ Limpie el elemento de filtro de aire	●			
Limpie la bujía y ajuste la luz del electrodo		●		
■ Remueva el polvo y la suciedad de las aletas del cilindro		●		
● Limpie el protector contra chispas		●		
Apriete de los pernos y tuercas			●	
● Remueva los depósitos de carbón en el orificio de escape			●	
Reemplace el filtro de combustible				●
● Remueva los depósitos de carbón en la culata y la cámara de combustión				●
● Remueva los depósitos de carbón en los orificios de transferencia				●
Reemplace el tubo de combustible, la empaquetadura de la tapa del depósito de combustible	Se recomienda reemplazar cada 3 años			

●: El servicio debe ser efectuado por un distribuidor de motores de MARUYAMA autorizado.

■: Efectúe el servicio más frecuentemente bajo condiciones polvorrientas.

NOTA:

Los intervalos de servicio indicados deben ser usados como guía.

El servicio debe ser efectuado de manera más frecuente en la medida de lo necesario, dependiendo de la condición de operación.

Use aceite de motor de dos tiempos, 50:1 MARUYAMA estándar.

Especificaciones

	M27QC	M30QC
Peso seco ※ 1(lbs.)	9.7 (4.4kg)	9.5 (4.3kg)
Desplazamiento del motor (cm ³)	30.1	30.1
Contra vibración	Aislamiento double - mango y montura del motor	
Carburador de tipo diafragma	Walbro Diaphragm Type	
Encendido	Sistema de estado sólido	
Capacidad del depósito de combustible (qts.)	0.63 (0.6L)	
La gasolina para engrasar la proporción	50:1	
Bujía	NGK BPM8Y	
Luz entre electrodos (en.)	.024-.028 (0.6-0.7mm)	
EPA y CARB Aprobado	Phase 3, Tier 3	

Durabilidad de emisión de 300 horas.

※ 1. Peso seco sin combustible.

Herramientas Accesorios

Para la instalación y operación de cada herramienta refiérase al manual del usuario de cada herramienta incluido en forma individual en cada herramienta.

QC-S/QC-ST	Accesorio de recortadora
QC-HT	Accesorio de cortasetos
QC-HTS /QC-HTR	Accesorio pivotante del cortasetos
QC-P/QC-PS/QC-PL	Accesorio de podadora
QC-E/QC-ES	Accesorio de bordeadora
QC-T	Accesorio de motocultor
QC-LB	Accesorio de cuchilla paisaje
QC-LS	Accesorio de barredora paisaje



Déclaration de garantie limitée

Les produits commerciaux et industriels Maruyama sont garantis à l'acheteur initial contre tout vice de matière ou vice de fabrication, **à partir de la date d'achat**, et ce, pour les durées suivantes :

Vie pour solides arbre d'entraînement en acier et bobines d'allumage.

5 ans pour l'usage commercial, industriel, et institutionnel.

1 an pour l'usage résidentiel, et **2 ans** pour l'usage commercial avec huile d'une marque concurrente.

90 jours pour l'usage locatif.

Moteurs - Reportez-vous à la déclaration de garantie du fabricant correspondant. Uniquement les moteurs Maruyama sont couverts par cette déclaration de garantie limitée.

En cas de défectuosité d'une pièce au cours de la période de garantie, Maruyama, à sa discrétion, sera tenu de la changer ou de la remplacer gratuitement. L'évaluation de la garantie est obtenue en délivrant le produit Maruyama qui semble être défectueux au Service technique d'un distributeur Maruyama agréé dans la période de garantie.

L'acheteur sera exonéré des frais de diagnostic d'une pièce sous garantie si ledit diagnostic est effectué dans un centre de distribution Maruyama agréé. Le remplacement d'une pièce sous garantie non prévu dans le plan de maintenance requise, ou programmé uniquement dans le cadre de la révision ordinaire en vue de sa «réparation ou remplacement si nécessaire» sera couvert pendant la période de garantie. Toute pièce sous garantie remplacée dans le cadre de la maintenance requise est garantie pendant la période précédant le premier point de remplacement prévu pour cette pièce. Maruyama Mfg. Co., Inc. sera tenu responsable des dommages aux autres composants du moteur causés par la défaillance d'une pièce encore sous garantie. Il incombe au propriétaire d'effectuer la maintenance requise, comme décrit par Maruyama Mfg. Co., Inc. dans le MANUEL DU PROPRIETAIRE/ DE L'UTILISATEUR.

GARANTIE DES PIÈCES LIÉES AUX ÉMISSIONS: Outre la couverture de garantie stipulée ci-dessus, Maruyama Mfg. Co., Inc. se chargera de la réparation ou du remplacement, sans frais supplémentaire pour l'acheteur initial et les sous-acquéreurs, d'une pièce liée aux émissions s'avérant défectueuse pour vice de matières et vice de fabrication, pendant une durée de deux ans (2) à compter de la date de livraison par le détaillant d'origine, excepté le pot catalytique. Le pot catalytique est garanti pour une durée d'un à partir de la date de livraison par le détaillant d'origine. **Les pièces liées aux émissions couvertes par la garantie sont : le carburateur, le système d'allumage, le rotor de distributeur, la bougie, le pot catalytique et le réservoir de carburant.** Toute pièce de rechange qui est de prestations et de durabilité équivalentes peut être utilisée dans des interventions de maintenance ou de réparations hors garantie, et elle ne réduira pas les obligations de garantie de Maruyama Mfg. Co., Inc.

Cette garantie ne couvre pas les conditions suivantes :

1. Eléments de maintenance (à l'exception des vices de matière et vices de fabrication) y compris les tuyaux flexibles, bougies, câbles de démarreur, filtres à air et à carburant, masselottes d'embrayage, isolateurs de vibration, câbles d'accélérateur et dispositifs de coupe, etc.
2. Frais additionnels incluant l'envoi et la manutention, le déplacement, les indemnités pour temps d'inactivité ou de nuisance et d'entreposage.
3. Ajouts ou modifications de pièces de marchés secondaires non autorisées par Maruyama U.S., Inc.
4. Toute défaillance causée par l'usure, un accident, une négligence, une utilisation abusive, des carburants, lubrifiants et mélanges de carburants (le cas échéant) inappropriés, ou une utilisation ou un entretien défectueux du produit découlant du non-respect des instructions fournies par Maruyama.

La réparation ou le remplacement tel que stipulé dans la présente garantie est la solution unique de l'utilisateur. Maruyama ne saurait être tenu responsable des dommages accessoires ou indirects dus à un manquement exprès ou implicite à la garantie de ces produits, sous réserve des limites établies par la loi en vigueur. Toute garantie tacite de qualité marchande ou d'aptitude à un but particulier pour ce produit est limitée par la durée de cette garantie, telle que définie dans la déclaration de garantie limitée. Maruyama se réserve le droit de modifier ou d'améliorer le design du produit sans préavis et décline toute obligation de mettre à jour les produits préalablement fabriqués.

Cette garantie vous offre des droits juridiques spécifiques susceptibles de varier selon la législation particulière d'un État.

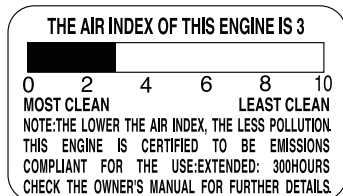
Il incombe au propriétaire et au revendeur de remplir correctement la carte d'enregistrement de la garantie et de l'adresser à la société Maruyama U.S., Inc. Une preuve d'achat et de l'enregistrement sera requise en vue de bénéficier du service de garantie.

Pour localiser le distributeur Maruyama agréé le plus proche, contactez :

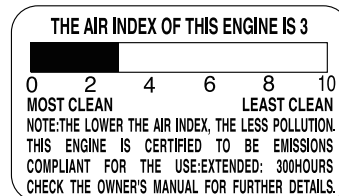
Maruyama U.S., Inc.
4770 Mercantile Drive, suite100,
Fort Worth, TX 76137 U.S.A.
(940)383-7400
maruyama@maruyama-us.com
www.maruyama-us.com

⚠ AVERTISSEMENT: ⚠

Les vapeurs d'échappement de ce produit contiennent des chimiques connus à l'Etat de Californie comme causes de cancer, anomalies congénitales, ou autres effets mauvaises de reproduction.



M27QC



M30QC

DÉCLARATION DE GARANTIE DU CONTRÔLE DES ÉMISSIONS DE L'ÉTAT FÉDÉRAL. DROITS ET OBLIGATIONS DÉRIVÉS DE LA GARANTIE

L'Agence de Protection environnementale des États-Unis (EPA) et Maruyama Manufacturing Company, Inc. ont le plaisir d'expliquer la garantie du système de contrôle des émissions concernant votre petit moteur hors route. Les nouveaux petits moteurs hors route modèles 1997 et ultérieurs doivent être conçus, fabriqués et équipés, au moment de la vente, en vue de respecter les réglementations de l'EPA des États-Unis en matière de petits moteurs hors route. Le moteur de l'appareil ne doit présenter aucun vice de matière, ni vice de fabrication susceptibles d'entraver sa conformité aux normes de l'EPA des États-Unis au cours des deux premières années d'utilisation du moteur, à partir de la date de vente jusqu'au dernier acquéreur. Maruyama Manufacturing Company, Inc. doit garantir le système de contrôle des émissions de votre petit moteur hors route pour la durée indiquée ci-dessus, sous réserve de l'absence d'abus, de négligence ou d'entretien incorrect de celui-ci.

Période de durabilité des émissions : 300 heures.

Votre système de contrôle des émissions doit inclure des pièces telles que le carburateur ou le système d'injection, le système d'allumage, et le pot catalytique. Il doit également inclure les tuyaux flexibles, courroies, et connecteurs, ainsi que les autres systèmes liés aux émissions. Toute pièce sous garantie de votre petit moteur hors route sera gratuitement réparée par Maruyama Manufacturing Company, Inc., y compris le diagnostic (s'il est effectué dans un centre agréé), les pièces et la main d'oeuvre.

COUVERTURE DE GARANTIE DU FABRICANT :

Les petits moteurs hors route modèles 1997 et ultérieurs sont garantis pendant deux ans. Si une pièce de votre moteur liée aux émissions s'avère défectueuse, la pièce sera réparée ou remplacée gratuitement par Maruyama Manufacturing Company, Inc.

RESPONSABILITÉS DU PROPRIÉTAIRE LIÉES À LA GARANTIE :

(a) En tant que propriétaire de petit moteur hors route, vous êtes tenu de réaliser la maintenance requise indiquée dans votre manuel du propriétaire/de l'utilisateur. Maruyama Manufacturing Company, Inc. vous recommande de conserver tous vos reçus concernant l'entretien de votre petit moteur hors route, toutefois Maruyama Manufacturing Company, Inc. ne saurait refuser la garantie uniquement en l'absence de reçus ou de la non-réalisation de tous les travaux d'entretien programmés. Toute pièce de rechange ou service qui sont de prestations et de durabilité équivalentes peuvent être utilisés dans des interventions d'entretien ou de réparations hors garantie, sans pour autant réduire les obligations de garantie du fabricant du moteur.

- (b) En tant que propriétaire de petit moteur hors route, vous devez néanmoins savoir que Maruyama Manufacturing Company peut vous refuser la couverture de la garantie si la panne de votre petit moteur hors route ou d'une pièce quelconque sont dus à un abus, à une négligence, à un entretien incorrect ou à des modifications non approuvées.
- (c) Vous êtes tenu de présenter votre petit moteur hors route dans un centre de distribution de Maruyama Manufacturing Company, Inc. dès qu'un problème survient. Les réparations sous garantie doivent être réalisées dans un délai raisonnable de 30 jours.

Si vous avez des questions concernant vos droits et obligations liés à la garantie, vous devez contacter Maruyama U.S., Inc. en appelant le n° **1-866-783-7400**, o warranty@maruyama-us.com.

COUVERTURE

Maruyama Manufacturing Company, Inc. garantit à l'acheteur initial et aux sous-acquéreurs que le petit moteur hors route sera conçu, fabriqué et équipé, au moment de la vente, en vue de respecter toutes les réglementations en vigueur. Maruyama Manufacturing Company, Inc. garantit également à l'acheteur initial et aux sous-acquéreurs que le petit moteur hors route ne présente aucun vice de matière, ni vice de fabrication susceptibles d'entraver sa conformité aux réglementations en vigueur pendant une durée de deux ans.

L'EPA oblige les fabricants de ce type de moteurs à respecter les réglementations pendant deux ans. Ces périodes de garantie commenceront à la date d'achat du petit moteur hors route par l'acheteur initial. En cas de défectuosité de l'une des pièces de votre moteur liée aux émissions, celle-ci sera remplacée gratuitement par Maruyama Manufacturing Company, Inc.

Maruyama Manufacturing Company, Inc. doit réparer ou remplacer toute pièce défectueuse encore sous garantie dans l'un des centres agréés ou de garantie de Maruyama Manufacturing Company, Inc. Tout travail autorisé effectué dans l'un des centres de distribution agréé ou de garantie doit être gratuit s'il est avéré qu'une pièce sous garantie est défectueuse. Il faut utiliser une pièce de remplacement approuvée par le fabricant ou équivalente lors d'une intervention de maintenance ou de réparation de pièces liées aux émissions, couvertes par la garantie. Ces interventions seront gratuites si la garantie est toujours valide. Maruyama Manufacturing Company, Inc. sera tenu responsable des dommages aux autres composants du moteur causés par la défaillance d'une pièce encore sous garantie.

EPA considère que les pièces liées aux émissions sous garantie doivent inclure toutes les pièces énumérées ci-dessous. Ces pièces sous garantie sont : **le carburateur, le système d'alumage, le rotor de distributeur, la bougie, le pot catalytique et le réservoir de carburant.**

MAINTENANCE NÉCESSAIRE

Le propriétaire est tenu de réaliser la maintenance requise telle que définie par Maruyama Manufacturing Company, Inc. dans le manuel du propriétaire/de l'utilisateur.

LIMITATIONS

Cette garantie du système de contrôle des émissions ne couvrira aucune des conditions suivantes:

- (a) réparation ou remplacement d'une pièce consécutivement à une utilisation abusive ou à une négligence, au manquement à la maintenance requise, à des réparations inappropriées ou à des remplacements non conformes aux caractéristiques techniques de Maruyama Manufacturing Company, Inc. susceptibles d'affecter les performances et/ou la durabilité de l'appareil, et aux ajouts ou modifications non recommandés ni approuvés par écrit par Maruyama Manufacturing Company, Inc., et
- (b) remplacement de pièces et d'autres services, réglages nécessaires dans le cadre de la maintenance requise et après le premier point de remplacement programmé.

DÉCLARATION DE GARANTIE DU CONTRÔLE DES ÉMISSIONS DE LA CALIFORNIE. DROITS ET OBLIGATIONS DÉRIVÉS DE LA GARANTIE

Le Comité des ressources de l'air de la Californie (CARB), et Maruyama Manufacturing Company, Inc. ont le plaisir d'expliquer la garantie du système de contrôle des émissions concernant votre petit moteur hors route 2015. En Californie, les nouveaux petits moteurs hors route doivent être conçus, construits et équipés en vue de respecter les normes anti-pollution strictes de l'Etat. Maruyama Manufacturing Company, Inc. doit garantir le système de contrôle des émissions concernant votre petit moteur hors route pour la durée indiquée ci-dessus, sous réserve qu'il n'y a pas eu d'abus, de négligence ou d'entretien incorrect de celui-ci.

Votre système de contrôle des émissions doit inclure des pièces telles que le carburateur ou le système d'injection, le système d'allumage, le réservoir de carburant et le pot catalytique. Il doit également inclure les tuyaux flexibles, courroies, et connecteurs, ainsi que les autres systèmes liés aux émissions.

Toute pièce sous garantie de votre petit moteur hors route sera gratuitement réparée par Maruyama Manufacturing Company, Inc., y compris le diagnostic, les pièces et la main d'oeuvre.

COUVERTURE DE GARANTIE DU FABRICANT :

Les petits moteurs hors route modèles 1995 et ultérieurs sont garantis pendant deux ans. En cas de défectuosité d'une pièce de votre moteur liée aux émissions, celle-ci sera réparée ou remplacée par Maruyama Manufacturing Company, Inc.

RESPONSABILITÉS DU PROPRIÉTAIRE LIÉES À LA GARANTIE :

- (a) En tant que propriétaire de petit moteur hors route, vous êtes tenu de réaliser la maintenance requise indiquée dans votre manuel du propriétaire/de l'utilisateur. Maruyama Manufacturing Company, Inc. vous recommande de conserver tous vos reçus concernant l'entretien de votre petit moteur hors route, toutefois Maruyama Manufacturing Company, Inc. ne saurait refuser la garantie uniquement en l'absence de reçus ou de la non-réalisation de tous les travaux d'entretien programmés.
- (b) En tant que propriétaire de petit moteur hors route, vous devez néanmoins savoir que Maruyama Manufacturing Company peut vous refuser la couverture de la garantie si la panne de votre petit moteur hors route ou d'une pièce quelconque sont dus à un abus, à une négligence, à un entretien incorrect ou à des modifications non approuvées.
- (c) Vous êtes tenu de présenter votre petit moteur hors route dans un centre de services Maruyama Manufacturing Company, Inc. dès qu'un problème survient. Les réparations sous garantie doivent être réalisées dans un délai raisonnable de 30 jours.

Si vous avez des questions concernant vos droits et obligations liés à la garantie, vous devez contacter Maruyama U.S., Inc. en appelant le n°1-866-783-7400, ou warranty@maruyama-us.com.

Pièces du système d'émissions

Émissions d'échappement

Carburateur

Silencieux

Pot catalytique

Bobine d'allumage / Magnéto

Bougie

Filtre à air

Soupape RGE (piston)

Filtre à carburant

Émissions par évaporation

Réservoir de carburant

Sommaire

	Page FR-		Page FR-
Déclaration de garantie limitée	1	Entretien.....	18
CONTRÔLE DES ÉMISSION DE L'ÉTAT FÉDÉRAL.....	3	Réglage du ralenti.....	18
CONTRÔLE DES ÉMISSION DE LA CSLIFORNIE ..	5	Filtre à air.....	19
Sommaire	6	Filtre à essence.....	19
Introduction.....	7	Bougie.....	20
Sécurité	7	Ailettes de refroidissement du cylindre.....	20
Sécurité de l'utilisateur.....	7	Pare-étincelles.....	21
Sécurité du multicutter avec les accessories.....	8	Silencieux d'échappement.....	21
Sécurité du carburant.....	8	Nettoyage et serrage normaux	22
Sécurité de d'utilisation du Multi-Cutter		Remisage.....	22
avec les accessoires.....	9	Dépannag	23
Étiquettes de sécurité et instructions.....	12	Période d'entretien	23
Description du produit	12	Spécifications.....	24
Montage	13	Accessories	24
Montage de la poignée avant.....	13		
Raccordement et séparation du moteur et du manche...	13		
Fixation du sangle d'épaule	14		
Avant utilisation	15		
Huile et carburant	15		
Mélange d'essence et d'huile	16		
Mise en marche et arrêt	17		

Introduction

Nous vous remercions d'avoir acheté un produit MARUYAMA. MARUYAMA, ses distributeurs et ses concessionnaires tiennent à votre complète satisfaction de ce nouveau Multi-Cutter. Veuillez contacter votre concessionnaire d'entretien agréé pour toute assistance en matière d'entretien, de pièces MARUYAMA d'origine ou pour tout renseignement dont vous pourriez avoir besoin. Que vous contactiez votre concessionnaire agréé ou l'usine, prévoyez le numéro de modèle et de série du produit. Ce numéro aidera le concessionnaire ou le représentant à vous donner les informations exactes relatives à votre produit. Vous trouverez le numéro de modèle et de série dans un endroit spécial, sur le produit. (Description du produit page FR-12). Pour référence ultérieure, notez cette information dans l'espace ci-dessous.

Nom de modèle _____
N° de série _____

Veuillez lire attentivement ce manuel afin d'apprendre comment utiliser correctement votre produit. La lecture de ce manuel permettra d'éviter, à vous et aux autres, des accidents corporels et des dommages au produit. Bien que MARUYAMA conçoive, produise et commercialise des produits sûrs et de pointe, il est de votre responsabilité d'utiliser votre nouveau Multi-Cutter correctement et de façon sûre. (Vous être également responsable de la formation sur l'utilisation en toute sécurité par toute personne à qui vous en autoriserez l'utilisation.)

Le système d'avertissement de MARUYAMA dans ce manuel identifie les dangers potentiels et comprend des messages de sécurité spéciaux permettant d'éviter des blessures, voire la mort. DANGER, AVERTISSEMENT et ATTENTION sont les mots utilisés pour identifier le niveau de danger. Cependant, quel que soit le niveau de danger, soyez extrêmement prudent.

DANGER signale un danger extrême à l'origine de blessures graves, voire mortelles, si les précautions recommandées ne sont pas respectées.

AVERTISSEMENT signale un danger à l'origine de blessures graves, voire mortelles, si les précautions recommandées ne sont pas respectées.

ATTENTION signale un danger à l'origine de blessures mineures ou modérées si les précautions recommandées ne sont pas respectées. Deux autres termes sont également utilisés pour mettre des informations en évidence.

“Important” attire l'attention sur des informations mécaniques spéciales et “Remarque” met l'accent sur des généralités méritant une attention spéciale.

Sécurité

Sécurité de l'utilisateur

1. Lisez et assimilez ce manuel du propriétaire/de l'utilisateur avant d'utiliser ce produit. Familiarisez-vous bien avec l'utilisation correcte de ce matériel.
2. Ne laissez jamais des enfants utiliser Multi-Cutter. Ce n'est pas un jouet. Ne laissez jamais des adultes utiliser la machine sans qu'ils aient lu le manuel du propriétaire/de l'utilisateur.
3. Portez toujours des lunettes de protection conformes à Z87- 1 de l'ANSI (American National Standards Institute).



4. Portez des protège-oreilles.



5. Portez toujours un pantalon épais, des manches longues, des bottes et des gants. Ne portez jamais de vêtements amples, de bijoux, de shorts, de sandales et ne soyez jamais pieds nus. Arrangez vos cheveux pour qu'ils ne descendent pas en dessous des épaules.
6. N'utilisez jamais ce Multi-Cutter si vous êtes fatigué, malade ou sous l'influence d'alcool, de drogue ou de médicaments.
7. Ne mettez jamais le moteur en marche ou ne le faites jamais tourner dans une salle ou un bâtiment fermé. Respirer des gaz d'échappement peut être oriel.



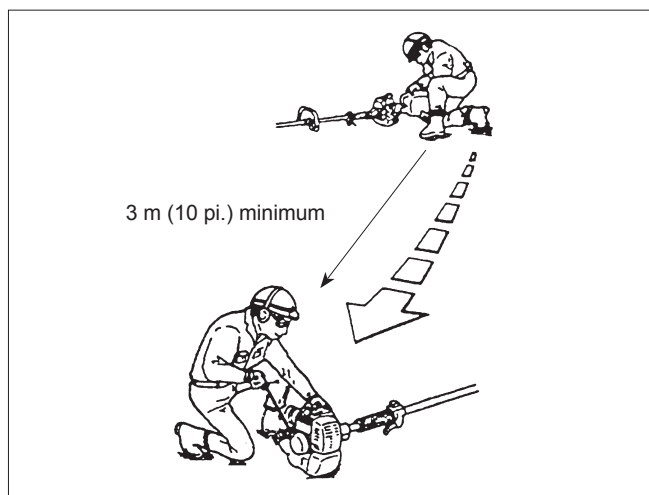
8. Eviter de salir les poignées avec de l'huile, du carburant ou de la terre.

Sécurité du Multi-Cutter avec les accessoires

1. Assurez-vous que l'appareil est correctement monté, et l'accessoire correctement installé et fermement serré tel qu'indiqué à la section « Montage ».
2. Réviser l'appareil avant chaque utilisation. Remplacez toute pièce endommagée. Recherchez d'éventuelles fuites de carburant. Vérifiez que les pièces de fixation sont en place et correctement serrées. Suivez les instructions de maintenance débutant à la page FR-18.
3. Assurez-vous que l'accessoire ne tourne pas à la vitesse de ralenti. Reportez-vous à la section « Réglage du ralenti », page FR-18.
4. Réviser la tête de l'accessoire et remplacez toute pièce fissurée, ébréchée ou endommagée avant d'utiliser le multicutter.
5. Installez toutes les protections nécessaires avant d'utiliser le multicutter ou ses accessoires. Remarque : Retirez le protecteur de la lame des accessoires de l'appareil avant de l'utiliser.
6. N'utilisez jamais une tête d'accessoire ou une pièce détachée non approuvées par MARUYAMA.
7. Réalisez la entretien du bloc moteur du multicutter et de ses accessoires selon les procédures et intervalles de entretien recommandés à la section « Entretien » page FR-18.
8. Éteignez l'appareil et attendez que la tête de l'accessoire s'immobilise complètement avant d'entreprendre toute opération de révision, de maintenance ou de réparation sur le Multi-Cutter.
9. En cas de problèmes de fonctionnement ou de vibration excessive, arrêtez immédiatement le moteur et inspectez l'unité pour identifier la cause du problème. Si vous ne parvenez pas à déterminer la cause de la panne ou que vous n'êtes pas en mesure de la réparer, retournez le multicutter avec l'accessoire au distributeur.

Sécurité du carburant

1. L'essence est hautement inflammable et doit être manipulée et stockée avec précaution. Utilisez un bidon approuvé pour le stockage d'essence et/ou de mélange carburant/huile.
2. Mélangez et versez le carburant à l'extérieur, à l'écart des étincelles et des flammes.
3. Ne fumez pas à côté d'un bidon de carburant ou du Multi-Cutter ou lorsque vous utilisez le Multi-Cutter.
4. Ne remplissez pas trop le réservoir de carburant. Arrêtez le remplissage entre 6 mm et 13 mm (1/4 - 1/2 po.) du haut du réservoir.
5. Essuyez tout carburant renversé avant de mettre le moteur en marche.

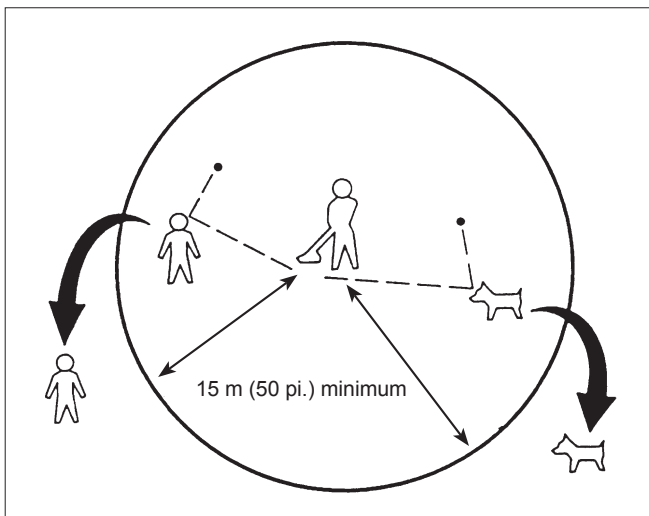


6. Éloignez le Multi-Cutter d'au moins 3 m (10 pi.) de l'emplacement de remplissage en carburant avant de mettre le moteur en marche.
7. Ne retirez pas le bouchon du réservoir de carburant quand le moteur tourne ou immédiatement après l'arrêt du moteur.
8. Laissez le moteur se refroidir avant de refaire le plein.
9. Videz le réservoir de carburant et faites tourner le moteur jusqu'à épuisement du carburant avant de ranger l'appareil.
10. Remisez le carburant et le Multi-Cutter à l'écart des flammes nues, des étincelles et à l'abri de la chaleur excessive. Assurez-vous que les vapeurs ne peuvent pas atteindre d'étincelles de chauffe-eau, de chaudières, de moteurs électriques, etc.

Sécurité de d'utilisation du Multi-Cutter avec les accessoires

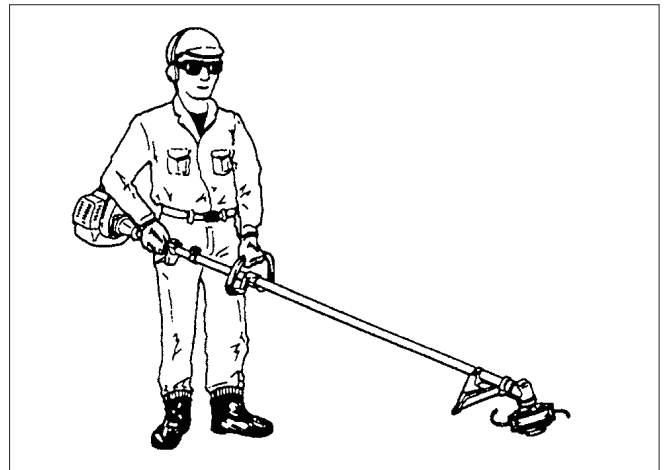
Sécurité de fonctionnement du taille-bordures

1. CE TAILLE-BORDURES PEUT PROVOQUER DES BLESSURES GRAVES. Lisez attentivement les instructions. Familiarisez-vous avec les commandes et le fonctionnement du taille-bordures.
2. Inspectez votre zone de travail avant de commencer. Débarrassez la zone de travail des objets tels que des morceaux de verre, clous, fils de fer et cailloux que le taille-bordures pourrait transformer en projectiles dangereux. Retirez les ficelles, cordes ou matériaux similaires susceptibles de s'emmêler sur la tête du taille-bordures.
3. Cet appareil peut projeter des objets et couper. Ne laissez pas les enfants, passants et animaux s'approcher de la zone de travail à moins de 15 m (50 pi.). Même au-delà de cette distance, il existe toujours un risque que les passants soient atteints par la projection d'un objet. Il est recommandé que les passants portent des lunettes de sécurité. Un objet projeté peut faire un ricochet.



4. Arrêtez le moteur et la rotation de la tête du taille-bordures si quelqu'un s'approche de vous lorsque vous travaillez avec l'appareil.
5. Ne laissez jamais un enfant utiliser le taille-bordures.
6. Utilisez uniquement le taille-bordures à la lumière du jour ou sous un éclairage artificiel adéquat.
7. N'utilisez jamais le taille-bordures sans les protections appropriées et sans les autres dispositifs de sécurité installés.

8. Utilisez uniquement une ligne de coupe en monofilament, non métallique et flexible avec un diamètre correct. N'utilisez jamais un câble métallique, une ficelle, etc.
9. Tenez toujours le taille-bordures sur le côté droit de votre corps.
10. Ne levez pas la tête du taille-bordures à une hauteur supérieure à celle de la ceinture.
11. Ne mettez ni les mains, ni les pieds près ou sous les pièces en rotation. Maintenez à tout moment votre corps éloigné de ces pièces. Maintenez toutes les parties de votre corps éloignées de la tête du taille-bordures en mouvement et des surfaces chaudes telles que le silencieux.
12. Demeurez bien campé sur vos jambes et gardez votre équilibre. N'adoptez pas de position forcée.
13. Utilisez les accessoires corrects. N'utilisez pas le taille-bordures pour un travail qui n'est pas recommandé par MARUYAMA.



Sécurité de fonctionnement du coupe-bordures

1. CE COUPE-BORDURES PEUT PROVOQUER DES BLESSURES GRAVES. Lisez attentivement les instructions. Familiarisez-vous avec les commandes et le fonctionnement du coupe-bordures.
2. Avant de démarrer le moteur, assurez-vous que la clé hexagonale de 3 mm a été retirée du carter d'engrenages et de l'adaptateur de bossage.
3. Inspectez votre zone de travail avant de commencer. Débarrassez la zone de travail des objets tels que des morceaux de verre, clous, fils de fer et cailloux que le coupe-bordures pourrait transformer en projectiles dangereux. Retirez les ficelles, cordes ou matériaux similaires susceptibles de s'emmêler sur la tête du coupe-bordures.
4. Cet appareil peut projeter des objets et couper. Ne laissez pas les enfants, passants et animaux s'approcher de la zone de travail à moins de 15 m (50 pieds). Même au-delà de cette distance, il existe toujours un risque que les passants soient atteints par la projection d'un objet. Il est recommandé que les passants portent des lunettes de sécurité. Un objet projeté peut faire un ricochet. (Reportez-vous à la section « Sécurité de fonctionnement du taille-bordures »)
5. Arrêtez le moteur et la rotation de la tête du coupe-bordures si quelqu'un s'approche de vous lorsque vous travaillez avec l'appareil.
6. Ne laissez jamais un enfant utiliser le coupe-bordures.
7. Utilisez uniquement le coupe-bordures à la lumière du jour ou sous un éclairage artificiel adéquat.
8. N'utilisez jamais le coupe-bordures sans les protections appropriées et sans les autres dispositifs de sécurité installés.
9. Ne mettez ni les mains, ni les pieds près ou sous les pièces en mouvement. Maintenez à tout moment votre corps éloigné de ces pièces. Maintenez toutes les parties de votre corps éloignées de la lame du coupe-bordures en rotation et de toutes les surfaces chaudes telles que le silencieux.
10. Demeurez bien campé sur vos jambes et gardez votre équilibre. N'adoptez pas de position forcée.
11. Utilisez les accessoires corrects. N'utilisez pas le coupe-bordures pour un travail qui n'est pas recommandé par MARUYAMA.

Sécurité de fonctionnement de l'élagueuse

1. CETTE ÉLAGUEUSE PEUT PROVOQUER DES BLESSURES GRAVES. Lisez attentivement les instructions. Familiarisez-vous avec les commandes et le fonctionnement de l'élagueuse.
2. L'élagueuse est conçue pour couper du bois et elle est donc potentiellement dangereuse. Une utilisation incorrecte ou imprudente peut entraîner des blessures graves, voire la mort.
3. Cette élagueuse peut conduire de l'électricité. Ne l'utilisez pas là où il existe un risque de contact avec les circuits électriques sous tension. Ne l'utilisez jamais à proximité des lignes et sources électriques. Le non-respect de cette consigne peut entraîner des blessures graves ou la mort.
4. Prévoyez la direction de chute des éléments qui sont en train d'être coupés. Ne restez pas sous un matériau qui va tomber.
5. Inspectez votre zone de travail avant de commencer. Débarrassez la zone de travail des objets tels que des morceaux de verre, clous, fils de fer et cailloux que l'élagueuse pourrait transformer en projectiles dangereux. Retirez les ficelles, cordes ou matériaux similaires susceptibles de s'emmêler sur la tête de l'élagueuse.
6. Cet appareil peut projeter des objets et couper. Ne laissez pas les enfants, passants et animaux s'approcher de la zone de travail à moins de 15 m (50 pi.). Même au-delà de cette distance, il existe toujours un risque que les passants soient atteints par la projection d'un objet. Il est recommandé que les passants portent des lunettes de sécurité. Un objet projeté peut faire un ricochet. (Reportez-vous à la section « Sécurité de fonctionnement du taille-bordures »)
7. Arrêtez le moteur et la rotation de la tête de l'élagueuse si quelqu'un s'approche de vous lorsque vous travaillez avec l'appareil.
8. Utilisez uniquement l'élagueuse à la lumière du jour ou sous un éclairage artificiel adéquat.
9. Ne mettez ni les mains, ni les pieds près ou sous les pièces en mouvement. Maintenez à tout moment votre corps éloigné de ces pièces. Maintenez toutes les parties de votre corps éloignées de la tête de l'élagueuse en mouvement et des surfaces chaudes telles que le silencieux.
10. Demeurez bien campé sur vos jambes et gardez votre équilibre. N'adoptez pas de position forcée.
11. Recherchez d'éventuels câbles. Maintenez une distance suffisante des lignes électriques.
12. Utilisez les accessoires corrects. N'utilisez pas l'élagueuse pour un travail qui n'est pas recommandé par MARUYAMA.

Sécurité de fonctionnement du taille-haie

1. CE TAILLE-HAIE PEUT PROVOQUER DES BLESSURES GRAVES. Lisez attentivement les instructions. Familiarisez-vous avec les commandes et le fonctionnement du taille-haie.
2. Ce taille-haie est conçue pour tailler des feuillages et des petites branches, et il peut donc être potentiellement dangereux. Une utilisation incorrecte ou imprudente peut entraîner des blessures graves.
3. Inspectez votre zone de travail avant de commencer. Débarrassez la zone de travail des objets tels que des morceaux de verre, clous, fils de fer et cailloux que le taille-haie pourrait transformer en projectiles dangereux. Retirez les ficelles, cordes ou matériaux similaires susceptibles de s’emmêler sur la tête du taille-haie.
4. Tenir les enfants, les passants et les animaux à l’extérieur de la zone d’exploitation.
5. Arrêtez le moteur et les lames en mouvement si quelqu’un s’approche de vous lorsque vous travaillez avec l’appareil.
6. Ne laissez jamais un enfant utiliser le taille-haie.
7. Utilisez uniquement le taille-haie à la lumière du jour ou sous un éclairage artificiel adéquat.
8. Ne mettez ni les mains, ni les pieds près ou sous les pièces en mouvement. Maintenez à tout moment votre corps éloigné de ces pièces. Maintenez toutes les parties de votre corps éloignées des lames de coupe et de toutes les surfaces chaudes telles que le silencieux.
9. Demeurez bien campé sur vos jambes et gardez votre équilibre. N’adoptez pas de position forcée.
10. Utilisez les accessoires corrects. N’utilisez pas le taille-haie pour un travail qui n’est pas recommandé par MARUYAMA.

Sécurité de fonctionnement du rotoculteur

1. CE ROTOCULTEUR PEUT PROVOQUER DES BLESSURES GRAVES. Lisez attentivement les instructions. Familiarisez-vous avec les commandes et le fonctionnement du rotoculteur.
2. N’utilisez pas le rotoculteur à proximité de pierres, graviers et cailloux et matières similaires qui pourraient se transformer en projectiles dangereux.
3. Inspectez votre zone de travail avant de commencer. Débarrassez la zone de travail des objets tels que des morceaux de verre, clous, fils de fer et cailloux que le rotoculteur pourrait transformer en projectiles dangereux. Retirez les ficelles, cordes ou matériaux similaires susceptibles de s’emmêler sur la tête du rotoculteur.
4. Cet appareil peut projeter des objets et couper. Ne laissez pas les enfants, passants et animaux s’approcher de la zone de travail à moins de 15 m (50 pi.). Même au-delà de cette distance, il existe toujours un risque que les passants soient atteints par la projection d’un objet. Il est recommandé que les passants portent des lunettes de sécurité. Un objet projeté peut faire un ricochet. (Reportez-vous à la section « Sécurité de fonctionnement du taille-bordures »)
5. Arrêtez le moteur et la rotation de la pièce travaillante si quelqu’un s’approche de vous lorsque vous travaillez avec l’appareil.
6. Utilisez uniquement le rotoculteur à la lumière du jour ou sous un éclairage artificiel adéquat.
7. Ne mettez ni les mains, ni les pieds près ou sous les pièces en mouvement. Maintenez à tout moment votre corps éloigné de ces pièces. Maintenez toutes les parties de votre corps éloignées de l’outil en rotation et des surfaces chaudes telles que le silencieux.
8. Si les dents du rotoculteur venaient à se coincer, arrêtez immédiatement le moteur. Assurez-vous que toutes les pièces en mouvement sont immobiles, puis déconnectez la bougie avant de tenter d’éliminer toute obstruction.
9. Utilisez les accessoires corrects. N’utilisez pas le rotoculteur pour un travail qui n’est pas recommandé par MARUYAMA.

Étiquettes de sécurité et instructions

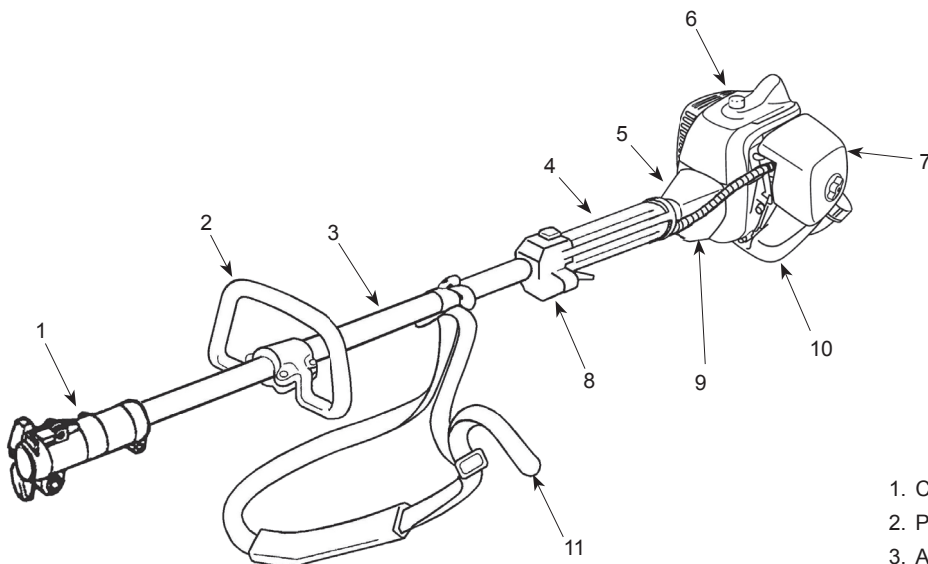


Les étiquettes de sécurité et instructions sont facilement visibles par l'utilisateur et sont situées près de toute zone de danger potentiel. Remplacez toute étiquette endommagée ou perdue.

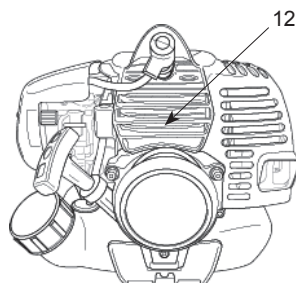
Description du produit

M27QC/M30QC

(Bloc moteur du Multi-Cutter)

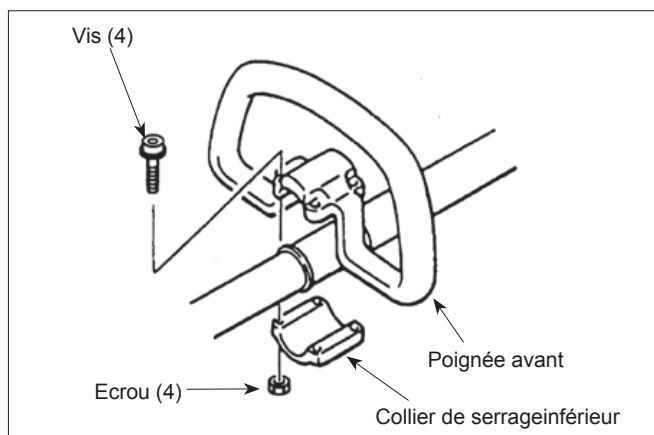


1. Coupleur
2. Poignée avant
3. Arbre de transmission
4. Poignée de l'arbre
5. Carter du tambour d'embrayage
6. Moteur
7. Filtre à air
8. Gâchette d'accélérateur et bouton d'arrêt
9. Câble d'accélérateur et câbles du bouton d'arrêt
10. Réservoir de carburant
11. Sangle d'épaule
12. Numéro de série (à l'arrière du moteur)



Montage

Montage de la poignée avant



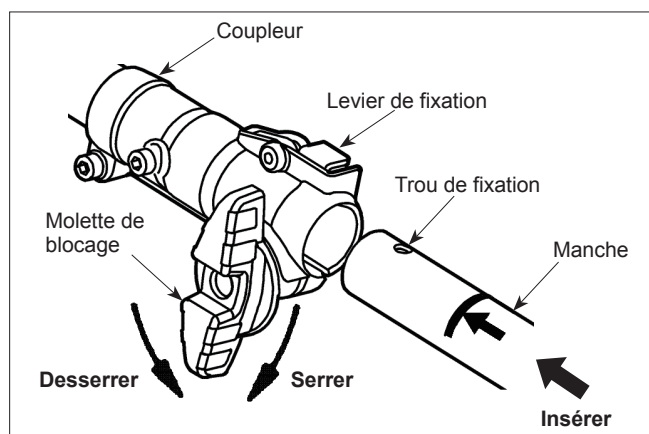
1. Placez l'manchon en caoutchouc sur le puits environ 28 centimètres (11 pouces) à partir de la fin du Commande des gaz et bouton d'arrêt d'urgence pour une position depoignée initiale.
2. Tourner le manchon en caoutchouc pour la scission est d'un côté.
3. Placer la poignée avant et la collier de serrage inférieur sur le manchon en caoutchouc.
4. Installez les quatre vis et les ecrou. Quittez les vis étanchées au doigt.
5. Remplacez l' poignée avant en haut ou en bas l'arbre de transmission à la position la plus confortable, mais pas plus près que 22.8 centimètres (9 pouces) à partir de la fin du changement d'arrêt.
6. Serrez les vis et les ecrou.



Raccordement et séparation du moteur et du manche

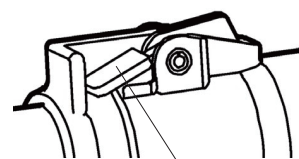
Raccordement

1. Desserrez la molette de blocage avant de fixer le manche au coupleur. Faites attention à ne pas laisser tomber la molette de blocage en la desserrant de trop.
2. Insérez le manche dans le coupleur en ayant le trou de fixation vers le bas comme sur l'illustration. Connectez complètement les deux arbres d'entraînement dans la position correspondante en déplaçant le manche d'avant en arrière et de gauche à droite. Lorsque le manche est dans la position correcte, le levier de fixation à ressort reviendra à sa position initiale.
3. Serrez fermement la molette de blocage.



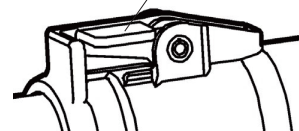
Assemblage incorrect

Le levier de fixation est en position abaissée



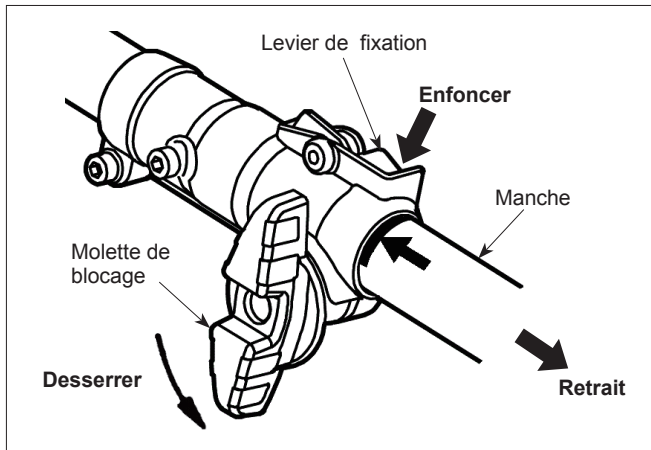
Assemblage correct

Le levier de fixation est en position levée



Séparation

- 1 Deserrez la molette de blocage avant de séparer le manche du coupleur.
- 2 Retirez le manche du coupleur en maintenant le levier de fixation vers le bas.
- 3 Note : la molette de blocage peut tomber si elle est trop desserrée.



Fixation du sangle d'épaule

⚠ AVERTISSEMENT

DANGER POTENTIEL

- Si un sangle d'épaule ou une bretelle ne sont pas fixés sur le coupe-bordures/débroussailleuse, une poussée latérale de la lame risque d'exposer l'utilisateur ou les spectateurs à un contact avec celle-ci.

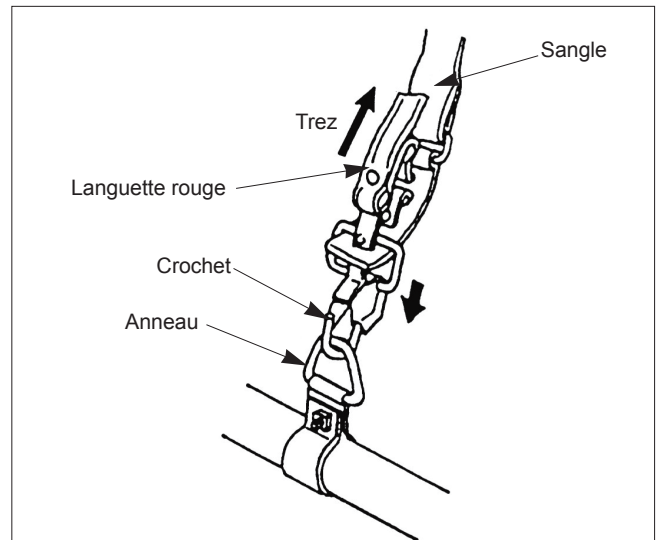
CE QUI PEUT SE PASSER

- Un contact avec la lame du coupe-bordures peut causer une blessure corporelle grave.

COMMENT ÉVITER LE DANGER

- Ne jamais utiliser le coupe-bordures/débroussailleuse sans y avoir fixé et sans utiliser le harnais d'épaule ou une bretelle.

Fixez le crochet sur l'anneau de l'arbre de transmission. Pour détacher rapidement la sangle de la Débroussailleuse/Coupe-herbe, tirez sur la languette rouge vers le haut.



Avant Utilisation

Huile et carburant

⚠ DANGER

DANGER POTENTIEL

- Dans certaines conditions, l'essence est très inflammable et présente de grands risques d'explosion.

CE QUI PEUT SE PASSER

- Un feu ou une explosion dus au carburant peut vous brûler, brûler les autres et causer des dommages matériels.

COMMENT ÉVITER LE DANGER

- Utilisez un entonnoir et remplissez le réservoir de carburant à l'extérieur, dans une zone découverte, alors que le moteur est froid. Essuyez tout le carburant qui se serait renversé.
- Ne fumez jamais lorsque vous manipulez un carburant et restez éloigné d'un feu nu ou de tout endroit où le carburant peut être enflammé par une étincelle.
- Ne remplissez pas totalement le réservoir de carburant. Ajoutez le carburant dans le réservoir de carburant jusqu'à atteindre un niveau de 6 mm à 13 mm (1/4 à 1/2 po.) du haut du réservoir. Cet espace vide dans le réservoir permet au carburant de se dilater.
- Stockez le carburant dans un contenant approuvé et ne le laissez pas à la portée des enfants.
- N'achetez jamais plus de 30 jours de réserve de carburant.

1. Ne fumez pas près de carburant.
2. Mélangez et versez le carburant à l'extérieur, dans un endroit éloigné d'étincelles ou de flammes.
3. Éteignez toujours le moteur avant de remettre du carburant. N'ôtez jamais le bouchon du réservoir de carburant alors que le moteur est en marche ou aussitôt après avoir arrêté le moteur.

⚠ AVERTISSEMENT

DANGER POTENTIEL

- L'essence contient des gaz qui peuvent accumuler de la pression à l'intérieur du réservoir de carburant.

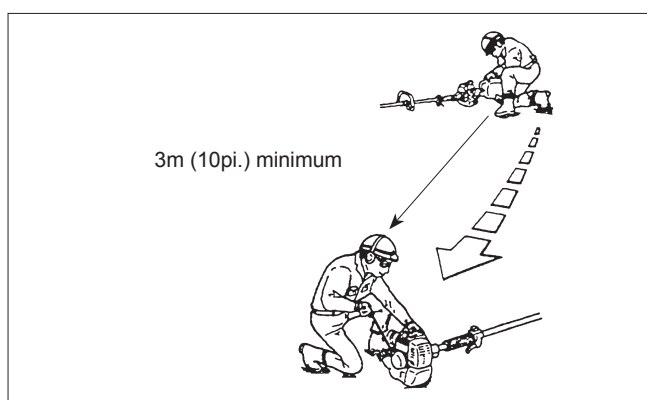
CE QUI PEUT SE PASSER

- Du carburant peut être pulvérisé lorsque vous ôtez le bouchon de carburant.

COMMENT ÉVITER LE DANGER

- Ôtez lentement le bouchon de carburant afin d'éviter des blessures dues à la vaporisation de carburant.

4. Ouvrez toujours lentement le bouchon du réservoir de carburant pour libérer petit à petit toute surpression possible à l'intérieur du réservoir.
5. Ne remplissez pas trop le réservoir de carburant. Arrêtez de le remplir à 6 mm-13 mm (1/4-1/2 po.) du haut du réservoir.
6. Serrez bien le bouchon du réservoir de carburant, après avoir fait le remplissage.
7. Essuyez tout carburant renversé avant de démarrer le moteur.
8. Déplacez le Multi-Cutter à au moins 3m (10 pi.) du lieu de remplissage et du contenant de carburant, avant de démarrer le moteur.



Type d'huile recommandé

Pour le mélange de carburant, n'utilisez que de l'huile deux temps MARUYAMA 50 : 1 ou une huile de qualité élaborée pour les moteurs deux temps à hautes performances, à refroidissement par air.

IMPORTANT: N'utilisez pas d'huiles certifiées Marine Manufacturer's Association (NMMA) ou BIA. Ces types d'huile moteur deux temps ne comportent pas les additifs convenant aux moteurs deux temps à refroidissement par air et risquent d'endommager le moteur.

N'utilisez pas d'huile moteur automobile. Ce type d'huile moteur ne comporte pas les additifs convenant aux moteurs deux temps à refroidissement par air et risque d'endommager le moteur.

Type de carburant recommandé

Utilisez de l'essence sans plomb fraîche et propre, y compris de l'essence *oxygénée ou reformulée*, avec un niveau d'octane supérieur ou égal à 89. Afin d'assurer la fraîcheur de l'essence, ne l'achetez qu'en une quantité nécessaire pour 30 jours.

L'utilisation d'essence sans plomb réduit les dépôts dans la chambre de combustion et allonge la durée de vie de la bougie. L'utilisation d'une essence super n'est ni nécessaire ni recommandée.

Utilisation d'additifs de carburants

IMPORTANT: JAMAIS UTILISER D'ALCOOL, GASOLE CONTENANT PLUS DE 10% DE L'ALCOOL PARCE CARBURANT SYSTÈME POURRAIT ÊTRE ENDOMMAGÉE.

N'UTILISEZ JAMAIS D'ADDITIFS AUTRES QUE CEUX FABRIQUÉS POUR LA STABILISATION DU CARBURANT LORS DU STOCKAGE, TEL LE STABILISATEUR/ CONDITIONNEUR DE MARUYAMA OU UN PRODUIT SIMILAIRE. LE STABILISATEUR/ CONDITIONNEUR DE MARUYAMA EST UN STABILISATEUR/ CONDITIONNEUR À BASE DE DISTILLAT DE PÉTROLE.

MARUYAMA NE RECOMMANDE PAS DE STABILISATEURS À BASE D'ALCOOL TELS QUE L'ÉTHANOL, LE MÉTHANOL OUL'ISOPROPYLE. N'UTILISEZ PAS D'ADDITIFS POUR TENTER D'AMÉLIORER LA PUISSANCE OU LES PERFORMANCES DE LA MACHINES.

Mélange d'essence et d'huile

IMPORTANT: Le moteur utilisé avec ce multi-cutter est à deux temps. Les pièces mobiles internes du moteur, à savoir, le vilebrequin, les roulements, les paliers des axes de piston et les surfaces de contact entre le piston et la paroi, nécessitent un mélange d'huile avec l'essence pour la lubrification.

L'absence d'apport d'huile à l'essence ou le mélange d'huile avec l'essence dans des proportions inadéquates provoquera de graves dégâts au moteur et annule la garantie.

Pour le pré-mélange de carburant, utilisez l'huile deux temps MARUYAMA Premium Mix, ou son équivalent, ISO-L-EGD & JASO FD avec une qualité supérieure minimum de 89 octanes. L'huile 2-temps MARUYAMA est spécialement formulée pour répondre aux exigences des moteurs 2-temps de haute performance et à faible taux d'émission d'air. L'utilisation d'autres huiles peut engendrer des problèmes de maintenance qui ne seront peut-être pas couverts par la garantie.

Mélange de carburant

Le rapport d'huile est de 50 parties d'essence pour une partie d'huile, soit 50 : 1.



Remarque: N'utilisez jamais un rapport de mélange inférieur à 50 : 1, quelles que soient les instructions de mélange figurant sur le bidon d'huile. Un rapport inférieur à 50 : 1 (60 : 1, 80 : 1, 100 : 1, par exemple) réduit la lubrification des pièces internes du moteur et risque d'endommager celui-ci.

Tableau de mélange de carburant

Essence 50	50:1 huile du 2-temps
1 gallon	2.6 oz.
2 gallons	5.1 oz.
5 gallons	12.8 oz.
1 litre	20 mL
5 litres	100 mL

Instructions de mélange

IMPORTANT: Ne mélangez jamais l'essence et l'huile directement dans le réservoir d'essence du Multi-Cutter.

1. Mélangez toujours le carburant et l'huile dans un récipient propre approuvé pour l'essence.
2. Marquez le bidon pour l'identifier comme mélange pour le Multi-Cutter.
3. Remplissez le récipient d'essence sans plomb ordinaire jusqu'à la moitié de la quantité d'essence nécessaire.
4. Ajoutez la quantité correcte d'huile et ensuite le reste d'essence.
5. Fermez le bidon et secouez-le pour mélanger l'huile et l'essence avant de remplir le réservoir du Multi-Cutter.

- Lors du remplissage du réservoir de carburant du Multi-Cutter, nettoyez autour du bouchon pour éviter que la poussière et les débris ne pénètrent dans le réservoir lors du retrait du bouchon.
- Secouez toujours le bidon de mélange de carburant momentanément avant de remplir le réservoir de carburant.
- Utilisez toujours un bec verseur ou un entonnoir lors du plein pour éviter un déversement.
- Ne remplissez le réservoir qu'à 6mm - 13 mm (1/4 - 1/2 po.) du haut du réservoir. Évitez de remplir le réservoir jusqu'en haut.

Mise en marche et arrêt

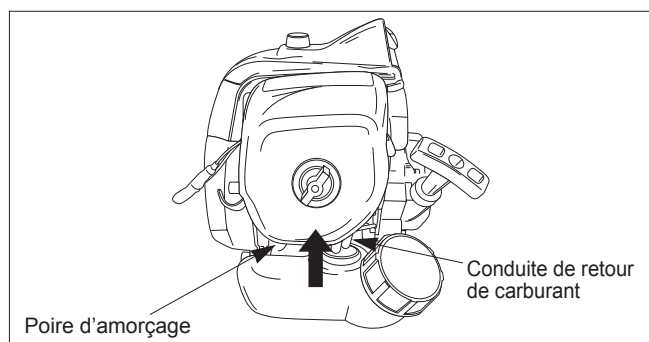
Avant de mettre le moteur en marche

- Remplissez le réservoir de carburant comme indiqué au chapitre Avant utilisation de ce manuel. (page FR-16).
- Mettez le Multi-Cutter par terre.
- Assurez-vous que la zone ne comporte pas de verre cassé, de clous, de fils, de clous, de câbles, de cailloux ou d'autres débris.
- Ne laissez pas les passants, enfants et animaux s'approcher de la zone de travail.

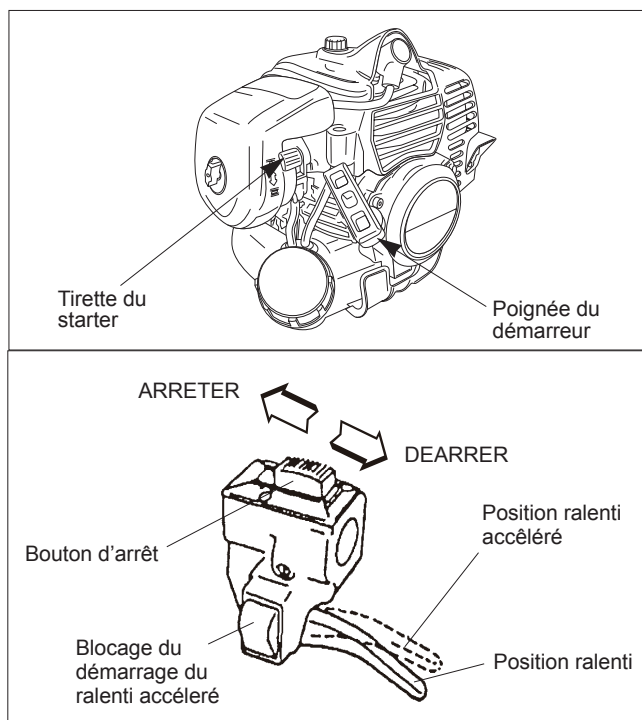
Mise en marche du moteur à froid

Le carburateur de ce moteur est équipé d'une poire d'amorçage et d'un starter. Pour mettre en marche un moteur "à froid" correctement, veuillez suivre la procédure suivante:

- Appuyez et relâchez la poire d'amorçage jusqu'à ce que l'essence soit visible et s'écoule dans la conduite de retour de carburant dans le réservoir. (L'essence d'écoulant doit être presque transparente, sans mousse ni pleine de bulles d'air.)



- Mettez la tirette du starter en position fermée (I) et bouton d'arrêt d'urgence sur "ON".



⚠ AVERTISSEMENT

DANGER POTENTIEL

- Les composants de votre recoilstarter Assemblée sont sous tension de ressort élevée. Se il est mal démonté ces pièces vous maystrike avec une force considérable, pouvant entraîner enjuillet personnel.

CE QUI PEUT SE PASSER

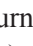
- Contact avec les pièces peut causer sévère blessures.

COMMENT ÉVITER LE DANGER


- Ne tentez jamais de démonter votrereculer ensemble démarreur-vous. Consultez toujours votre autoriséeMARUYAMA revendeur pour réparation par un personnel qualifié Les techniciens de service.

⚠ ATTENTION

- Ne tirez pas sur le cordon du démarreur jusqu'au bout.


3. La commande des gaz en position ralenti accéléré, tirez sur la poignée du démarreur.
4. Quand le moteur tourne, tournez la tirette du starter en position Ouvert (). Puis serrez et relâchez le câble de la manette des gaz pour lui permettre de retourner en position de ralenti.

Si le moteur s'arrête de tourner avant que vous mettiez la manette des gaz en position ouvert :

Ouvrez le starter (), tirez sur la poignée du démarreur, tout en maintenant le câble de la manette des gaz en position ralenti accéléré.

Redémarrage à chaud

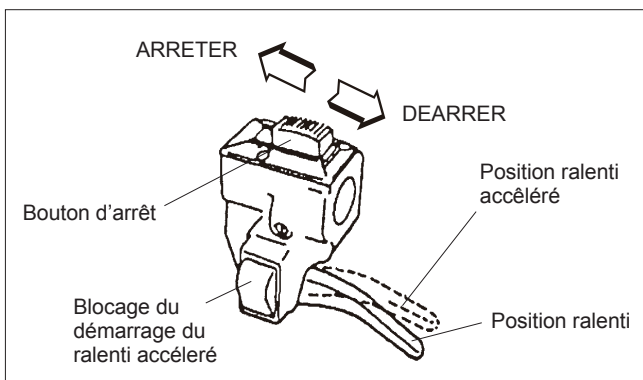
Pour démarrer un moteur qui est déjà réchauffé (redémarrage à chaud), ou si la température ambiante est supérieure à 68°F (20°C):

1. Pompez la poire d'amorçage jusqu'à ce que l'essence soit visible et s'écoule dans la conduite de retour de carburant dans le réservoir. (L'essence d'écoulant doit être presque transparente, sans mousse ni pleine de bulles d'air.)
2. Mettez la tirette du starter en position ouverte () et mettez le bouton d'arrêt d'urgence sur "ON".
3. Laissez la manette des gaz à mi-régime et tirez la poignée du démarreur.
4. Si le moteur ne démarre pas après trois à quatre tentatives, suivez les instructions dans la mise en marche du moteur à froid Section Procédure (FR-18).

Si le moteur ne démarre pas après que vous avez suivi la procédure, contactez un concessionnaire agréé MARUYAMA.

Arrêt du moteur:

1. Relâchez la manette des gaz.
2. Mettez le bouton d'arrêt d'urgence sur "STOP".



Entretien

L'entretien, le remplacement ou la réparation des dispositifs et des systèmes de contrôle des émissions peuvent être effectués par tout établissement de réparation ou particulier, cependant, les réparations sous garantie doivent être effectuées par un concessionnaire ou un centre d'entretien agréé par MARUYAMA Manufacturing Company, Inc. L'utilisation de pièces qui ne sont pas équivalentes en performance et durabilité aux pièces homologuées risque de compromettre l'efficacité du système de contrôle de la pollution d'avoir une incidence sur le résultat d'une réclamation sous garantie.

Entretien sur les moteurs à faible émission d'aujourd'hui est encore plus critique pour la plus longue vie et une meilleure performance. particulièrement critique sont des filtres à air et de carburant, étincelles amme prisedechaleur, refroidissement zone d'admission d'air et les lacunes propres de la bobine et la bougie.

Réglage du ralenti

Ce Multi-Cutter est équipé d'un carburateur de mélange de carburant non réglable. La vitesse de ralenti du moteur est le seul réglage effectué par l'utilisateur.

AVERTISSEMENT

- Réglage du ralenti doit être vérifié à chaque fois que l'appareil est exploité.

AVERTISSEMENT

DANGER POTENTIEL

- Pour effectuer les réglages du carburateur, le moteur doit être en marche.
- Lorsque le moteur est en marche, la tête rotative tourne et les autres pièces sont en mouvement.

QUE PEUT-IL SE PASSER

- Entrer en contact avec la tête rotative ou d'autres pièces en mouvement peut causer des blessures corporelles graves ou même la mort.

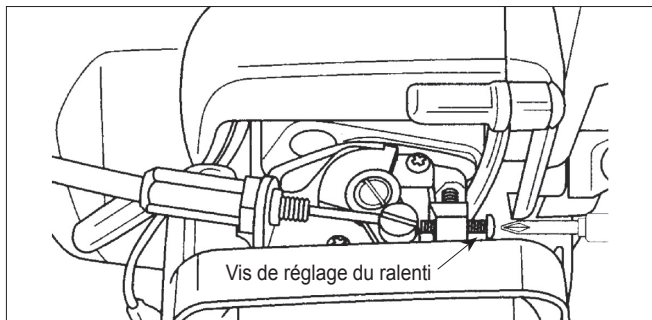
COMMENT ÉVITER LE DANGER

- Tenez toujours les mains, les pieds et les vêtements loin de la tête rotative et des autres pièces mobiles.
- Lorsque vous effectuez des réglages du carburateur, éloignez les spectateurs et les animaux de la machine.

La tête rotative peut tourner au cours du réglage du ralenti. Veuillez porter l'équipement de protection individuelle recommandé et suivre toutes les instructions de sécurité. Gardez vos mains et votre corps loin de la tête rotative.

Lorsque la manette des gaz est libérée, le moteur doit revenir à une vitesse de ralenti comprise entre 2700 et 3300 min⁻¹ ou juste en-dessous de la vitesse d'engagement de l'embrayage. Quand le moteur est au ralenti, la tête rotative ne doit pas tourner et le moteur ne doit pas caler (doit s'arrêter de marcher).

Pour régler le ralenti du moteur, faire tourner la vis de réglage du ralenti sur le carburateur.



- Tournez la vis de ralenti vers l'intérieur (dans le sens des aiguilles d'une montre) pour augmenter la vitesse de ralenti du moteur.
- Tournez la vis vers l'extérieur (dans le sens contraire des aiguilles d'une montre) pour diminuer la vitesse de ralenti du moteur.

Si un réglage du ralenti est nécessaire, et si après le réglage, la tête rotative tourne toujours ou si le moteur cale, arrêtez immédiatement d'utiliser le Multi-Cutter!

Contactez votre concessionnaire agréé MARUYAMA local pour assistance et entretien.

Filtre à air

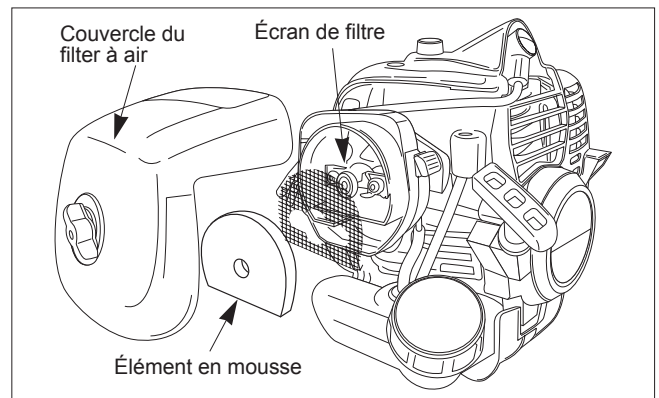
Intervalle d'entretien

- Le filtre à air doit être nettoyé **tous les jours** plus souvent en cas de travail dans des conditions extrêmement poussiéreuses.
- Remplacez-le après 100 heures d'utilisation.

Nettoyage du filtre à air

1. Desserrez le bouton et retirez le couvercle du filtre à air.
2. Otez l'élément en mousse et l'écran de filtre.
3. Nettoyez l'élément en mousse et l'écran de filtre avec de l'eau chaude savonneuse. Laissez-le sécher complètement.

4. Appliquez une légère couche d'huile de moteur (SAE 30 ou équivalent viscosité) sur l'élément mousseux et retirez l'excès d'huile en appuyant dessus.
5. Réassemblez l'élément en mousse et l'écran de filtre.
6. Réassemblez le couvercle de filtre à air et serrez le bouton.



Filtre à essence

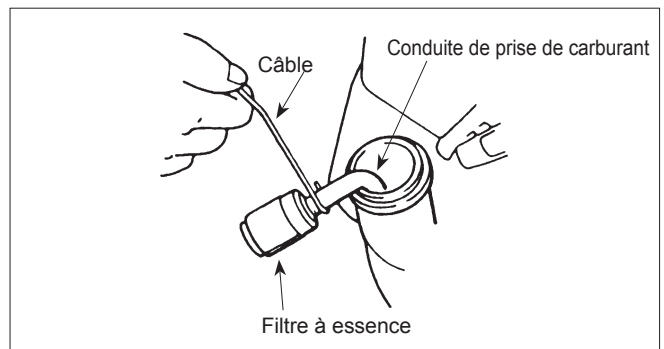
Intervalle d'entretien

Le filtre à essence doit être remplacé après 100 heures d'utilisation.

Les filtres à carburant nécessitant un remplacement plus fréquent peuvent indiquer des débris dans le réservoir de carburant.

Remplacement du filtre à essence

Le filtre à essence est fixé à l'extrémité de la conduite de prise de carburant dans le réservoir de carburant.



Pour remplacer le filtre à essence:

1. Assurez-vous que le réservoir de carburant est vide.
2. Retirez le bouchon de carburant.
3. À l'aide d'un fil de fer crocheté, retirez avec précaution le filtre à essence par son ouverture. Faites attention de ne pas "hameçon" le conduit de prise de carburant. Remplacez immédiatement en cas de perforation!

4. Saisissez la conduite de carburant à côté du raccord du filtre à carburant et retirez le filtre, sans relâcher la conduite.
5. Tout en tenant la conduite de carburant, fixez le filtre à carburant neuf.
6. Remettez en place le filtre de carburant dans le réservoir de carburant.
7. Assurez-vous que le filtre de carburant n'est pas coincé dans un coin du réservoir et que la conduite de carburant n'est pas vrillée avant de remplir le réservoir.

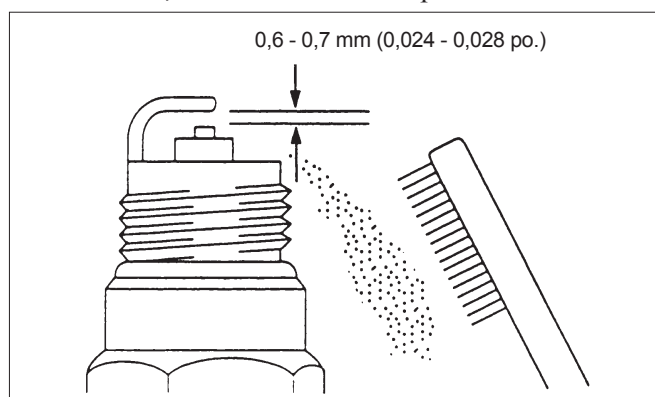
Bougie

Intervalle d'entretien

- La bougie doit être retirée du moteur et vérifiée toutes les 25 heures d'utilisation.
- Remplacez la bougie toutes les 100 heures d'utilisation.

Entretien de la bougie

1. Le moteur étant à température ambiante, tournez le capuchon du conducteur haute tension de la bougie plusieurs fois d'avant en arrière pour le desserrer, retirez-le ensuite de la bougie.
2. Retirez la bougie.
3. Une fois la bougie retirée, les électrodes peuvent être nettoyées avec une brosse dure.
4. Réglez l'écartement des électrodes entre 0,6 et 0,7 mm (0,024- 0,028 po.).
5. Remplacez la bougie si elle est salie d'huile, endommagée ou si les électrodes sont usées.
6. Ne serrez pas trop la bougie en la posant. Le couple de serrage est de 10,7- 16,6 N.m (95- 148 po. - lb.).
7. Toujours utiliser la gamme de chaleur spécifique de la bougie. Ceci est particulièrement critique à faible émission d'aujourd'hui moteurs. Pour de meilleurs résultats, utilisez la exacte remplacement.



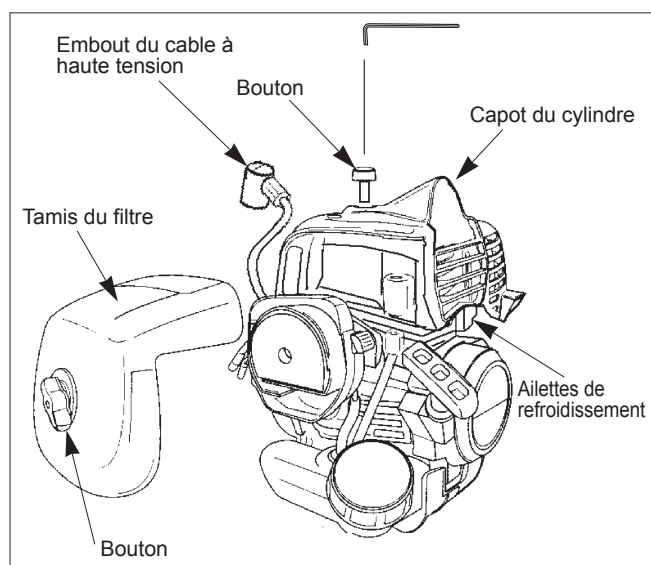
Ailettes de refroidissement du cylindre

Intervalle d'entretien

- Les ailettes de refroidissement doivent être nettoyées toutes les 25 heures de fonctionnement ou une fois par semaine, à la première des échéances.
- L'air doit s'écouler librement dans et autour des ailettes de refroidissement afin d'éviter une surchauffe du moteur. L'accumulation de feuilles, d'herbe, de poussière et de débris sur les ailettes augmente la température de fonctionnement du moteur, ce qui en réduit les performances et la durée de vie.

Nettoyage des ailettes de refroidissement du cylindre

1. Lorsque le moteur est à température ambiante, desserrez le bouton et ôtez le couvercle de filtre à air.
2. Tournez l'embout du câble à haute tension attaché à la bougie de gauche à droite à plusieurs reprises, pour le décoincer et détachez l'embout de la bougie.
3. Desserrez le bouton et levez le capot du cylindre.
4. Nettoyez toute la poussière et tous les débris des ailettes de refroidissement et autour de la base du cylindre.
5. Ne négligez pas le nettoyage de l'air de refroidissement zone apport en dessous du carter et au-dessus du réservoir de carburant! Cette zone doit être libre de débris et de obstruction pour le moteur refroidir correctement.
6. Réinstallez les capots du cylindre et Tamis du filtre.



Pare-étincelles

⚠ AVERTISSEMENT

DANGER POTENTIEL

- La surface du silencieux devient chaude quand le Multi-Cutter fonctionne et elle reste chaude pendant encore quelques temps après que le moteur est arrêté.

CE QUI PEUT SE PASSER

- Entrer en contact avec les surfaces chaudes d'un silencieux peut causer des brûlures.

COMMENT ÉVITER LE DANGER

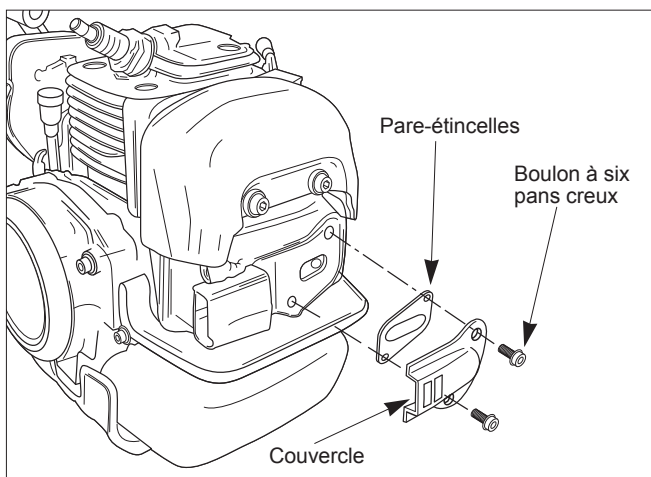
- Assurez-vous que le silencieux est refroidi avant de vérifier et de nettoyer le pare-étincelles.

Intervalle d'entretien

- Le pare-étincelles doit être vérifié et nettoyé après 25 heures d'utilisation.
- Remplacez le tamis s'il ne peut être totalement nettoyé ou s'il est endommagé.

Entretien du pare-étincelles

1. Lorsque le moteur est à température ambiante, desserrez le bouton et ôtez le couvercle de filtre à air.
2. Tournez l'embout du câble à haute tension attaché à la bougie de gauche à droite à plusieurs reprises, pour le décoincer et détachez l'embout de la bougie.
3. Desserrez le bouton et levez le capot du cylindre.



4. Ôtez le couvercle, le joint et le pare-étincelles et nettoyez-les avec une brosse dure et un solvant de nettoyage. Remplacez les pièces qui ne peuvent plus être nettoyées.
5. Réinstallez le pare-étincelles et le couvercle sur le silencieux, et vissez et serrez les deux boulons à six pans creux.
6. Réinstallez les capots du cylindre et Tamis du filtre.

Silencieux d'échappement

Intervalle d'entretien

Le silencieux doit être vérifié et nettoyé toutes les 100 heures d'utilisation.

Entretien du silencieux

1. Lorsque le moteur est à température ambiante, desserrez le bouton et ôtez le couvercle de filtre à air.
2. Tournez l'embout du câble à haute tension attaché à la bougie de gauche à droite à plusieurs reprises, pour le décoincer et détachez l'embout de la bougie.
3. Desserrez le bouton et levez le capot du cylindre.
4. Ôtez le pare-étincelles (voir Entretien du pare-étincelles), et nettoyez le silencieux avec une brosse dure.
IMPORTANT: Ne jamais utiliser un solvant pour le nettoyage de l'intérieur du silencieux, afin de ne pas abimer le pot catalytique dans le silencieux. Faites attention à ne pas laisser rentrer de débris ou de la poussière dans la lumière d'échappement. Cela pourrait abimer le moteur.
5. Réinstallez le pare-étincelles et le couvercle sur le silencieux, et vissez et serrez les deux boulons à six pans creux.
6. Réinstallez les capots du cylindre et Tamis du filtre.

Nettoyage et serrage normaux

Le Multi-Cutter MARUYAMA fournira une performance maximum pour de nombreuses heures s'il est correctement entretenu.

⚠ AVERTISSEMENT

DANGER POTENTIEL

- **Quand le moteur tourne, le dispositif de coupe tourne et les autres pièces sont en mouvement.**

CE QUI PEUT SE PASSER

- **Entrer en contact avec la tête rotative ou une autre pièce en mouvement peut causer une blessure personnelle grave ou même la mort.**

COMMENT ÉVITER LE DANGER

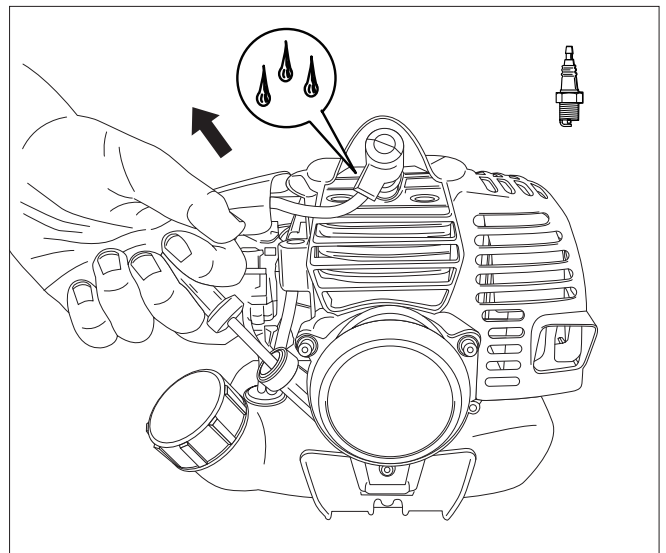
- **Éteignez toujours votre Multi-Cutter avant de le nettoyer ou de faire des opérations d'entretien.**

Un bon entretien comprend la vérification régulière du bon serrage de toutes les pièces de fixation et le nettoyage de la machine entière.

Remisage

Pour un remisage à long terme du Multi-Cutter:

1. Videz le réservoir de carburant dans un bidon de stockage de carburant adapté.
2. Pompez la poire d'amorçage sur le carburateur jusqu'à ce que l'essence soit chassée dans la conduite transparente de retour de carburant.
3. Faites tourner le moteur pour retirer le carburant restant dans le carburateur.
4. Effectuez toutes les procédures d'entretien régulier et toutes les réparations nécessaires.
5. Retirez la bougie et appliquez une petite quantité d'huile dans le cylindre.



⚠ ATTENTION

DANGER POTENTIEL

- **Lorsque vous tirez sur la poignée du démarreur, de l'huile peut gicler sur l'orifice de bougie.**

CE QUI PEUT SE PASSER

- **L'huile peut causer une blessure aux yeux.**

COMMENT EVITER LE DANGER

- **Protégez vos yeux et n'approchez pas votre visage de l'orifice de bougie.**

6. Tirez une fois sur la corde du démarreur.
7. Tirez lentement la poignée du démarreur pour amener le piston en haut du cylindre.
8. Remplacez la bougie.
9. Remisez le Multi-Cutter dans un endroit sec, à l'abri de la chaleur excessive, des étincelles ou d'une flamme nue.

Dépannage

Problème	Cause	Mesure correctrice
Ne moteur ne démarre pas	Le bouton d'arrêt d'urgence "STOP" est sur off (position d'arrêt). Le réservoir de carburant est vide. La poire d'amorçage n'a pas été pressée suffisamment. Le moteur est noyé.	Placez le bouton sur "on" (marche). Remplissez le réservoir de carburant. Pressez la poire d'amorçage jusqu'à ce que le carburant s'écoule dans la conduite de retour de carburant. Reportez-vous à la procédure de démarrage à chaud.
Le moteur ne fonctionne pas au ralenti	La vitesse du ralenti n'a pas été correctement réglée.	Réglez la vitesse du ralenti.
Le moteur manque de puissance ou cale lors de coupe.	Le câble de la manette des gaz est desserré. Le filtre à air est sale. Le pare-étincelles est bouché ou l'orifice d'échappement.	Serrez le câble de la manette des gaz. Nettoyez ou remplacez le filtre à air. Nettoyez le pare-étincelles ou l'orifice d'échappement.

Pour toute assistance, veuillez contacter votre concessionnaire agréé MARUYAMA local.

Période d'entretien

Entretien	Quotidien	Toutes les 25 heures	Toutes les 50 heures	Toutes les 100 heures
Vérifiez et ajoutez de l'essence	●			
Vérifiez qu'il n'y a pas de fuite de carburant	●			
Vérifiez que les boulons, écrous et vis sont tous serrés et qu'il n'en manque aucun	●			
Vérifiez le réglage de la vitesse de ralenti du moteur	●			
■ Nettoyez le filtre à air	●			
Nettoyez le pare-étincelles et réglez l'écartement des électrodes		●		
■ Retirez la poussière et la saleté des ailettes d'échappement		●		
● Nettoyez le pare-étincelles		●		
Serrez les boulons et les écrous			●	
● Retirez les résidus de carbone de l'orifice d'échappement			●	
Remplacez le filtre à essence				●
● Retirez les résidus de carbone de la tête du piston et de la chambre de combustion				●
● Retirez les résidus de carbone des orifices de transfert				●
Remplacez le tube de carburant et le joint torique du bouchon du réservoir	C'est recommandé pour remplacer chaque 3 années			

●: L'entretien doit être réalisé par un concessionnaire agréé MARUYAMA.

■: Effectuez l'entretien plus souvent lors de conditions de fonctionnement poussiéreuses.

REMARQUE:

Les intervalles d'entretien indiqués doivent être utilisés comme indication.

L'entretien sera réalisé plus fréquemment, si nécessaire, selon les conditions d'utilisation.

Utilisez l'huile pour moteur deux-temps MARUYAMA 50:1.

Spécifications

	M27QC	M27QC
Poids ※ 1(kg)	4.4 (9.7 lbs.)	4.3 (9.5 lbs.)
Cylindrée du moteur (cm ³)	30.1	25.4
Anti Vibration	Isolement Double - Poignée et Mont de Moteur	
Carburateur	Walbro Type de Diaphragme	
Allumage	État solide	
Contenance du réservoir (L)	0.6 (0.63 qts.)	
l'essence pour huiler ratio	50:1	
Bougie	NGK BPM8Y	
Écartement de bougi (mm)	0.6-0.7 (.024-.028 po.)	
Homologation EPA et CARB	Phase 3, Tier 3	

Durabilité d'émission de 300 heures.

※ 1. Poids sans carburant, accessoire de coupe.

Accessories

Pour une installation et l'opération sera soumise le manuel de chaque Accessoire au sein énuméré les Accessoire qui doivent être emballés sur les Multi-Cutter Accessoire.

QC-S/QC-ST	Accessoire de taille-bordures
QC-HT	Accessoire de taille-haie
QC-HTS /QC-HTR	Accessoire de pivotant de taille-haie
QC-P/QC-PS/QC-PL	Accessoire de l'élagueuse
QC-E/QC-ES	Accessoire de coupe-bordures
QC-T	Accessoire de rotoculteur
QC-LB	Accessoire de lame de paysage
QC-LS	Accessoire de paysage balayeuse



Maruyama U.S., Inc.
4770 Mercantile Drive,
suite100,
Fort Worth, TX 76137 U.S.A.
Phone 940-383-7400
Fax 940-383-7466

www.maruyama-us.com
237775-00 US/ES/FR 15.07 IN