

5/1/2017

Roadway Lighting - Utility Compact Flood

HPS / 50-400 watts; MH / 100 watts

Project:	
Catalog#:	
Approved by:	

Utility Fixture

FEATURES

- Meets ANSI requirements for Flood Luminaires, including ANSI C136.2, C136.3, C136.10, C136.15, and C136.32.
- Die-cast aluminum housing with multiple mounting options
- IP-66 rating is standard
- Low copper aluminum for use in coastal areas
- Available in IESNA Type 7x6 distribution patterns
- Available with photocontrol and lamp
- Available with glare and vandal shields



APPLICATIONS

Provides excellent roadway lighting for:

- Commercial/Retail areas
- Parking
- Recreation areas
- Industrial security
- Building façade
- Signage

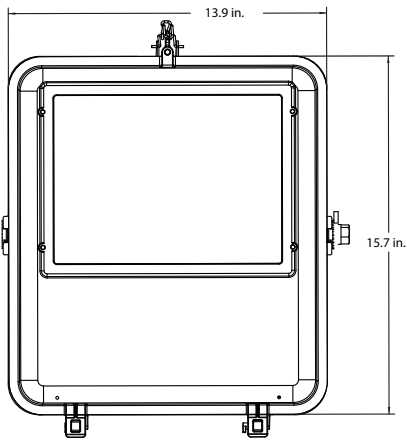
Standard Product Includes
 ASA70 Gray Powdercoat Paint finish
 w/ Tool-less Adjustable Photocontrol Receptacle
 w/ Heavy Duty Terminal Block
 w/ Open Board Ignitor
 W/ Latch & 3-ft. 14-ga. SO cord

Effective Projected Area (EPA)
 1.5 ft² max

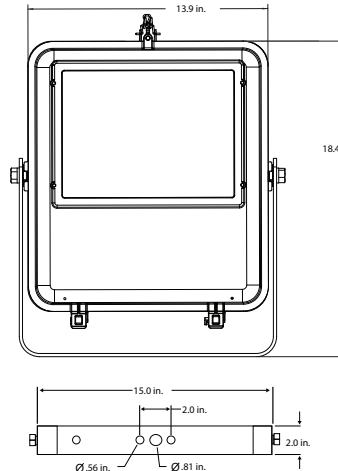
HPS: suitable for -40°C to 40°C
 MH/PSMH: suitable for -30°C to 40°C
 16 AWG 200°C rated internal wiring
 Toolless latch door closure standard

DIMENSIONS

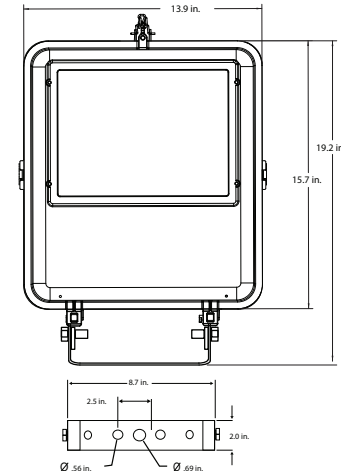
UCF0H Series
 Compact Flood without
 mounting brackets



UCFWH Series
 Compact Flood with
 Wrap Around Yoke



UCFMH Series
 Compact Flood with
 Mini Yoke



Specifications subject to change without notice.

5/1/2017

Roadway Lighting - Utility Compact Flood

HPS / 50-400 watts; MH / 100 watts

Project:	
Catalog#:	
Approved by:	

Utility Fixture

Model Family	Mounting Options	Reflector	Lamp Wattage	Lamp Type	Ballast/Input Volts	Options*	Paint Options	Options/ Packaging
UCF	W	H	25	S	CWM4	000	G	I
	W: Wrap-Around Yoke M: Mini Yoke T: Swivel Tenon O: No bracket	H: 7x6 Horiz. Lamp	05: 50W 07: 70W 10: 100W 15: 150W 17: 175W 20: 200W 25: 250W 31: 310W 40: 400W	S: High Pressure Sodium M: Metal Halide P: Pulse Start MH	0000: Ballast not included RN02: Reactor-normal power factor-120v RH02: Reactor-high power factor-120v XNM1: HX ballast-normal PF-MultiTap (wired 120v) XNM2: HX ballast-normal PF-MultiTap (wired 208v) XNM3: HX ballast-normal PF-MultiTap (wired 240v) XNM4: HX ballast-normal PF-MultiTap (wired 277v) XHM1: HX ballast-high PF-MultiTap (wired 120v) XHM2: HX ballast-high PF-MultiTap (wired 208v) XHM3: HX ballast-high PF-MultiTap (wired 240v) XHM4: HX ballast-high PF-MultiTap (wired 277v) CWM1: CWA ballast-high PF-MultiTap (wired 120v) CWM2: CWA ballast-high PF-MultiTap (wired 208v) CWM3: CWA ballast-high PF-MultiTap (wired 240v) CWM4: CWA ballast-high PF-MultiTap (wired 277v) CI##: CWI ballast	000: No special option required L: Special lamp requirement C: Special power cord (3-ft. cord standard) F: Fuse options V: Surge protection D: Screw door closure Starter/ignitor options** N: None included E: Encapsulated plug-in starter Photocontrol options S: Shortening cap P: Photoelectric control included *** <small>Note: specifications subject to change *Consult factory for option codes for combinations of accessories **Open style plug-in starter included as standard option ***P-control suitable for specified input voltage only</small>	G: Grey B: Bronze	I: Single X: Special

Ballast Availability

Ballast/Input Volts		50	70	100	150	150/100V	200	250	310	400
RN02	Reactor-normal power factor-120v	Y	Y	Y	Y					
RH02	Reactor-high power factor-120v	Y	Y	Y	Y					
XNM1	HPS HX ballast-normal PF-MultiTap (wired 120v)	Y ²	Y ²	Y	Y	Y ¹				
XNM2	HPS HX ballast-normal PF-MultiTap (wired 208v)	Y ²	Y ²	Y	Y	Y ¹				
XNM3	HPS HX ballast-normal PF-MultiTap (wired 240v)	Y ²	Y ²	Y	Y	Y ¹				
XNM4	HPS HX ballast-normal PF-MultiTap (wired 277v)	Y ²	Y ²	Y	Y	Y ¹				
XHM1	HPS HX ballast-high PF-MultiTap (wired 120v)	Y ²	Y ²	Y	Y	Y ¹				
XHM2	HPS HX ballast-high PF-MultiTap (wired 208v)	Y ²	Y ²	Y	Y	Y ¹				
XHM3	HPS HX ballast-high PF-MultiTap (wired 240v)	Y ²	Y ²	Y	Y	Y ¹				
XHM4	HPS HX ballast-high PF-MultiTap (wired 277v)	Y ²	Y ²	Y	Y	Y ¹				
XNM1	MH HX ballast-normal PF-MultiTap (wired 120v)			Y						
XNM2	MH HX ballast-normal PF-MultiTap (wired 208v)			Y						
XNM3	MH HX ballast-normal PF-MultiTap (wired 240v)			Y						
XNM4	MH HX ballast-normal PF-MultiTap (wired 277v)			Y						
XHM1	MH HX ballast-high PF-MultiTap (wired 120v)			Y						
XHM2	MH HX ballast-high PF-MultiTap (wired 208v)			Y						
XHM3	MH HX ballast-high PF-MultiTap (wired 240v)			Y						
XHM4	MH HX ballast-high PF-MultiTap (wired 277v)			Y						
CWM1	HPS CWA ballast-high PF-MultiTap (wired 120v)						Y	Y	Y	Y
CWM2	HPS CWA ballast-high PF-MultiTap (wired 208v)						Y	Y	Y	Y
CWM3	HPS CWA ballast-high PF-MultiTap (wired 240v)						Y	Y	Y	Y
CWM4	HPS CWA ballast-high PF-MultiTap (wired 277v)						Y	Y	Y	Y
CWM1	PS CWA ballast-high PF-MultiTap (wired 120v)									
CWM2	PS CWA ballast-high PF-MultiTap (wired 208v)									
CWM3	PS CWA ballast-high PF-MultiTap (wired 240v)									
CWM4	PS CWA ballast-high PF-MultiTap (wired 277v)									

Y Available
 Y¹ For S56 150W 100V HPS Lamp
 Y² Not a stock item - consult Customer Service for leadtime
 Not planned for release
 *CWM1-CWM4 MH CWA (250W M58, 400W M59) is available as "Export Only"

Sample Ordering Number: UCF W H 25 S CWM4 000 G I 0000
 Utility Grade Compact Flood
 Wrap Around Yoke
 7x6 Reflector
 250W HPS CWA Multi-tap wired for 277v
 No Options
 Grey paint finish
 Individual Carton
 Reserved for factory use

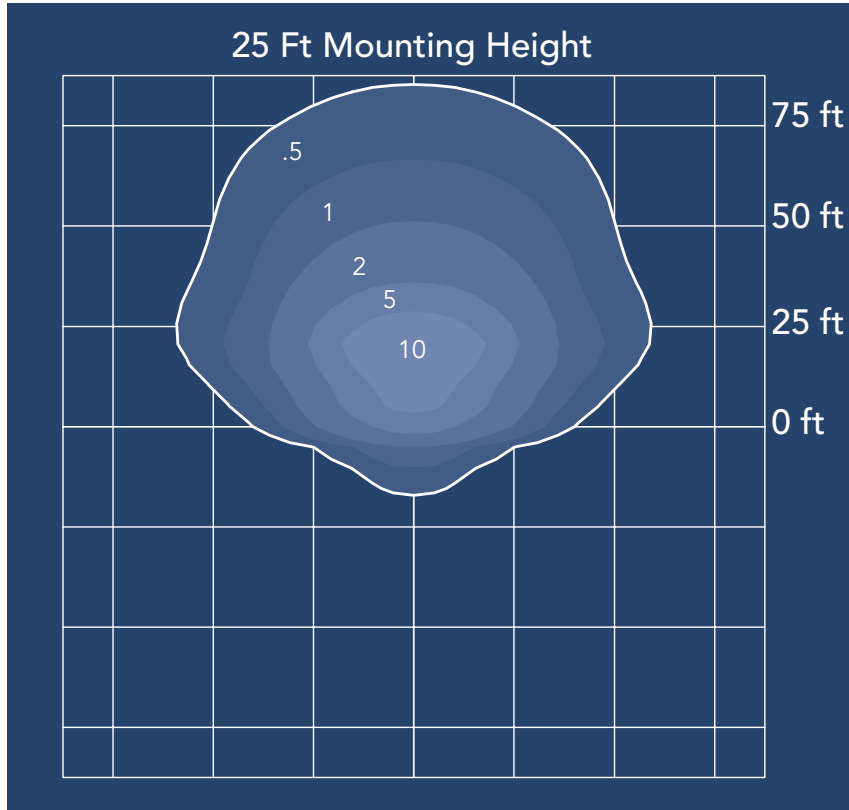
Specifications subject to change without notice.

5/1/2017

Roadway Lighting - Utility Compact Flood

HPS / 50-400 watts; MH / 100 watts

Utility Fixture



Project:	
Catalog#:	
Approved by:	

Utility Compact Flood
 400 Watts High Pressure Sodium
 25 Foot Mounting Height, 45° Tilt
 IESNA Classification: Type 7x6
 Test Report: 400 HPS LTL12610.ies

Large Yoke Mounting Option



Stainless Steel Cam Latch for Tool Less Entry



Specifications subject to change without notice.