



PUMP PARTS

Product Catalog 2021

INTELLIFLO® & INTELLIPRO® PUMP DRIVE PART NUMBER HISTORY

REPLACEMENT PARTS

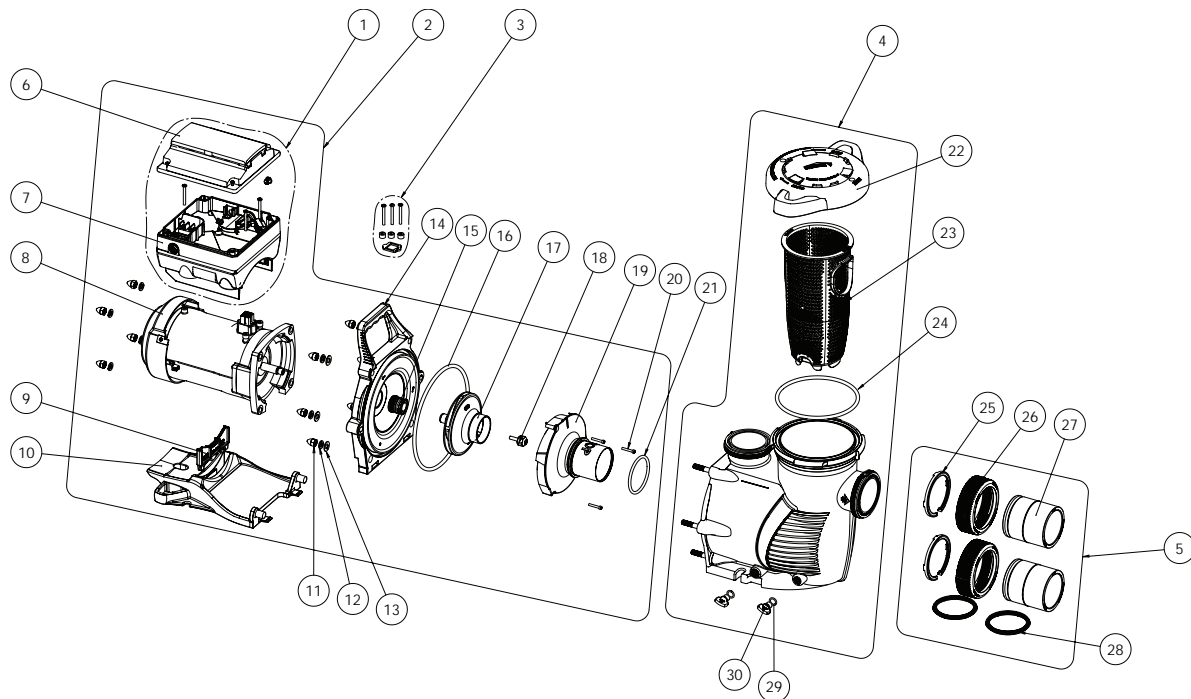
NOTE: The table below lists original drive kit part numbers and active replacement parts for the IntelliFlo and IntelliPro family pump product lines.

Pump Part No.	Pump Name	Pump Obsolete?	Original Drive Kit	Original Drive Available?	Current Drive Part No.	Current Keypad Part No.	Current Drive Kit
IntelliFlo Family Pump Product Line							
011008	IntelliFlo i1 <i>original</i>	Yes	353251	No	356878Z	357527Z	356879Z
011009	IntelliFlo i2 <i>original</i>	Yes	353251	No	356878Z	357527Z	356879Z
011018	IntelliFlo VS <i>original</i>	Yes	353251	No	356878Z	357527Z	356879Z
011017	IntelliFlo VS+SRVS <i>original</i>	Yes	351021	No	356910Z	357527Z	356911Z
011012	IntelliFlo VF	Yes	350721	No	356880Z	357527Z	356944Z
011059	IntelliFlo i1	No	356879Z	Yes	356878Z	357527Z	356879Z
011060	IntelliFlo i2	No	356879Z	Yes	356878Z	357527Z	356879Z
011055	IntelliFlo 2 VST	Yes	356879Z	Yes	356878Z	357527Z	356879Z
011028	IntelliFlo VS	No	356879Z	Yes	356878Z	357527Z	356879Z
011057	IntelliFlo VS+SVRS	No	356911Z	Yes	356910Z	357527Z	356911Z
011056	IntelliFlo VSF	No	356922Z	Yes	356880Z	357527Z	356944Z
022005	IntelliFloXF VS <i>original</i>	Yes	353251	No	356878Z	357527Z	356879Z
022055	IntelliFloXF VS	No	356879Z	Yes	356878Z	357527Z	356879Z
022056	IntelliFloXF VSF	No	357521Z	Yes	356896Z	357527Z	357521Z
IntelliPro Family Pump Product Line							
P6E6VS4H-209L	IntelliPro VS	No	353252	No	356892Z	358527Z	356893Z
P6E6XS4H-209L	IntelliPro VS+SVRS <i>original</i>	Yes	353250	No	356912Z	358527Z	356913Z
013001	IntelliPro 2 VST	Yes	356893Z	Yes	356892Z	358527Z	356893Z
013002	IntelliPro VS+SVRS	No	356913Z	Yes	356912Z	358527Z	356913Z
013004	IntelliPro VSF	No	353141Z	Yes	356657Z	358527Z	353141Z
023005	IntelliProXF VS <i>original</i>	Yes	353252	No	356892Z	358527Z	356893Z
023055	IntelliProXF VS	No	356893Z	Yes	356892Z	358527Z	356893Z
023056	IntelliProXF VSF	No	352032Z	Yes	356898Z	358527Z	352032Z

CALIFORNIA PROPOSITION 65 WARNING
 ⚠️ **WARNING:** Cancer and Reproductive Harm.
 ⚠️ **AVERTISSEMENT:** Peut Causer le Cancer et des Dommages au Système Reproducteur.
 ⚠️ **ADVERTENCIA:** Cáncer y Daño Reproductivo.
www.p65warnings.ca.gov P65-2015-14

INTELLIFLOXF® VSF PUMP INTELLIFLOXF® VS PUMP - AFTER AUGUST 2015

REPLACEMENT PARTS



Item	Part No.	Description	US List	Can. List
INTELLIFLO PUMP				
1	357521Z	Drive Kit (VSF model)	CALL	CALL
1	356879Z	Drive Kit (VS model)	CALL	CALL
2	400655Z	Power End Kit (VS model)	2919.26	3507.78
3	355685	Drive Hardware Kit	122.38	147.05
4	400000	Wet End Assembly	355.70	427.41
5	410020	Union Kit w/o Tap	162.05	194.72
6	357527Z	Keypad Assembly Kit	386.61	464.55
7	356896Z	Drive (VSF model)	CALL	CALL
7	356878Z	Drive (VS model)	CALL	CALL
8	350305S	Motor	CALL	CALL
9	070929	Motor Support Insert	21.78	26.17
10	400004Z	Motor Base	43.41	52.16
11	071413	Acorn Nut (Qty. 10)	1.38	1.66
12	U43-12SS	Lock Washer (Qty. 10)	3.00	3.60
13	072184	Flat Washer (Qty. 6)	1.74	2.09
14	400002	Seal Plate	235.08	282.47
15	17351-0101S	Mechanical Seal	29.52	35.47
16	351446	Seal Plate O-Ring	7.06	8.48
17	400015Z	Impeller assembly (includes screw and washer)	CALL	CALL
18	37337-6080	Impeller Screw, Plastic-Head (pumps mfg. before 10/7/19)	21.79	26.18
18	356073	Impeller Screw, Metal-Head (pumps mfg. after 10/7/19)	CALL	CALL
19	400010	Diffuser	102.87	123.61

Item	Part No.	Description	US List	Can. List
20	353323	Diffuser Screws	3.70	4.45
21	350336	Diffuser O-Ring	3.70	4.45
22	400006	Lid/Locking Ring Assembly	62.59	75.21
23	400007Z	Strainer Basket	39.14	47.03
24	35505-1440	Lid/Locking Ring O-Ring	20.99	25.22
25	410001	2.5" C-Clip Locking Ring (Qty. 2)	7.93	9.53
26	411000	2.5" Union Nut (Qty. 2)	21.77	26.16
27	410002	2.5" Union Adapter w/o Tap (Qty. 2)	37.55	45.12
28	410016Z	2.5" Diamond Seal Kit (Qty. 2)	13.40	16.10
29	192115Z	Drain Plug O-Ring (Qty. 2)	2.86	3.44
30	071131Z	Drain Plug (2 req.)	6.96	8.36

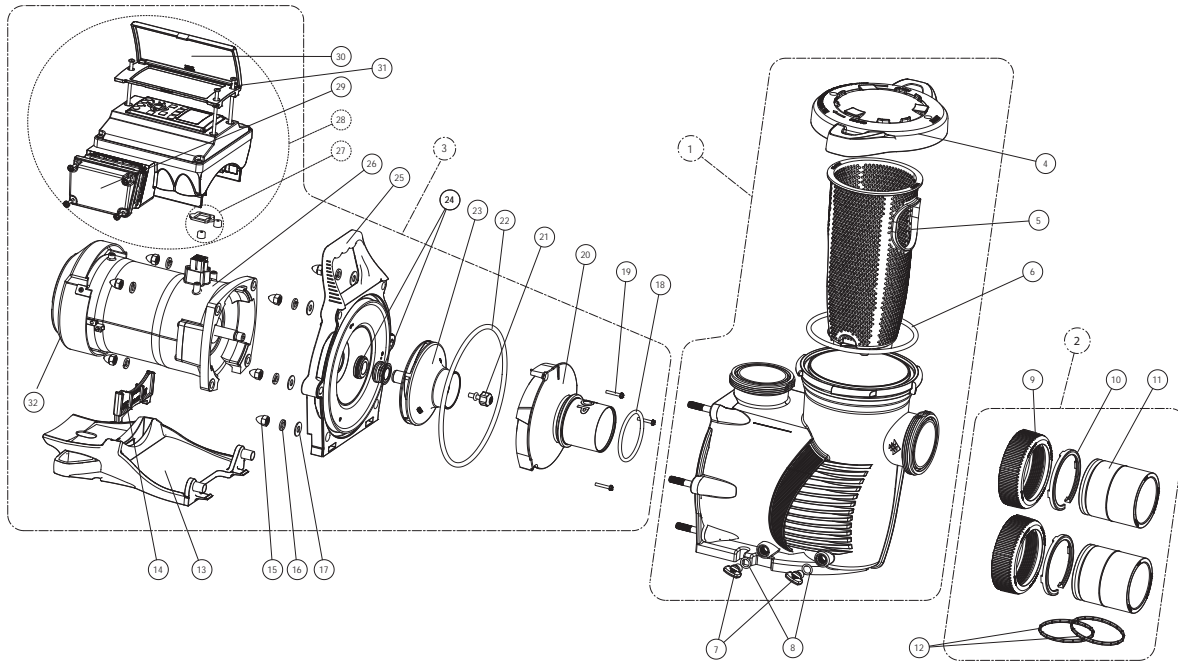
NOT SHOWN				
	356904Z	Keypad Relocation Kit	84.03	100.97
	400031Z	Seal Plate w/Mech Seal	227.67	273.57
	350122	50 Ft. Communication Cable	191.51	230.12
	352401	Motor Fan Kit	196.52	236.14
	072172	Impeller screw washer	CALL	CALL

CALIFORNIA PROPOSITION 65 WARNING

⚠ **WARNING:** Cancer and Reproductive Harm.
 ⚠ **AVERTISSEMENT:** Peut Causer le Cancer et des Dommages au Système Reproducteur.
 ⚠ **ADVERTENCIA:** Cáncer y Daño Reproductivo.
www.p65warnings.ca.gov

Product on page 168–169.

INTELLIFLOXF® VARIABLE SPEED PUMP - BEFORE AUGUST 2015 REPLACEMENT PARTS



Item	Part No.	Description	US List	Can. List
INTELLIFLOXF PUMP				
1	400000	Wet End Assembly	355.70	427.41
2	410020	Union Kit	162.05	194.72
3	400605Z	Power End Assy w/ Drive & Motor	CALL	CALL
4	400006	Lid/Locking Ring Assy	62.59	75.21
5	400007Z	XF Series Replacement Basket	39.14	47.03
6	35505-1440	Lid/Locking Ring O-Ring	20.99	25.22
7	071131Z	Drain Plug (2 req.)	6.96	8.36
8	192115Z	Drain Plug O-ring (2 req.)	2.86	3.44
9	411000	2.5 in. Union Nut	21.77	26.16
10	410001	2.5 in. C-Clip Locking Ring	7.93	9.53
11	410002	2.5 in. Union Adapter	37.55	45.12
12	410016Z	2.5 in. Seal Kit - (Includes 2)	13.40	16.10
13	400004Z	Motor Base	43.41	52.16
14	357160	Motor Support Insert- Black	21.78	26.17
15	071413	Acorn Nut (each)	1.38	1.66
16	U43-12SS	Split Lock Washer (each)	3.00	3.60
17	072184	Flat Washer (each)	1.74	2.09
18	350336	Diffuser O-ring	3.70	4.45
19	353323	Diffuser Screw	3.70	4.45
20	400010	Diffuser	102.87	123.61

Item	Part No.	Description	US List	Can. List
21	37337-6080	Impeller Screw, Plastic-Head (pumps mfg. before 10/7/19)	21.79	26.18
22	351446	Seal Plate O-Ring	7.06	8.48
23	400015Z	Impeller assembly (includes screw and washer)	CALL	CALL
24	17351-0101S	Mechanical Seal Assembly	29.52	35.47
25	400002	Seal Plate	235.08	282.47
26	350105S	Motor Kit	CALL	CALL
27	350612	Drive Hardware and Gasket Kit (includes item #31)	122.38	147.05
28	356879Z	Variable Speed Drive Assy Kit	CALL	CALL
29	350621	Field Wiring Comp Kit w/ Gasket	22.98	27.61
30	350601	Control Cover Assy Kit (incl. item #27) ¹	245.17	294.60
30	400100	Control Cover Assy Kit (incl. item #27) ²	245.17	294.60
31	350107	Screw 10-24 x 3-1/4 in. PH MS 18-8SS (Qty. 3)	4.74	5.70
32	352401	Motor Fan Kit (contains Fan, Shroud, Hardware)	196.52	236.14
NOT SHOWN				
	400031Z	Seal Plate Kit w/ Mech Seal	227.67	273.57
	400012	Riser Plate XF to Challenger	75.10	90.24
	350122	50 Ft. Communication Cable	191.51	230.12

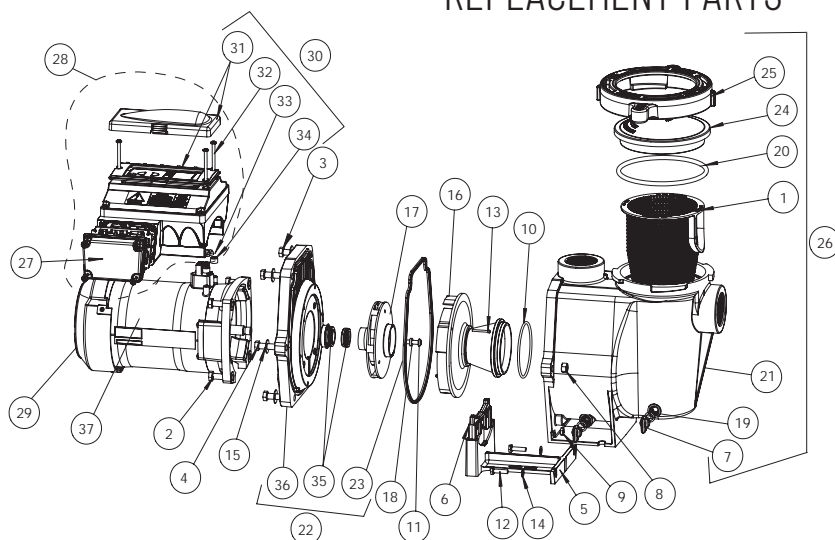
¹ Used on pumps manufactured before 12/23/13
² Used on pumps manufactured after 12/23/13 to present

CALIFORNIA PROPOSITION 65 WARNING

⚠️ **WARNING:** Cancer and Reproductive Harm.
 ⚠️ **AVERTISSEMENT:** Peut Causer le Cancer et des Dommages au Système Reproducteur.
 ⚠️ **ADVERTENCIA:** Cáncer y Daño Reproductivo.

www.p65warnings.ca.gov

INTELLIFLO® VF PUMP REPLACEMENT PARTS



CALIFORNIA PROPOSITION 65 WARNING
 ⚠️ **WARNING:** Cancer and Reproductive Harm.
 ⚠️ **AVERTISSEMENT:** Peut Causer le Cancer et des Dommages au Système Reproducteur.
 ⚠️ **ADVERTENCIA:** Cáncer y Daño Reproductivo.
 www.p65warnings.ca.gov. PK2019A

Item	Part No.	Description	US List	Can. List
INTELLIFLO VF PUMP				
1	070387Z	Basket WF	18.94	22.76
2	070429Z	Bolt, 3/8-16 X 7/8 SS Hex Head 18-8, 4 req.	CALL	CALL
3	070430	Bolt, 3/8-16 x 1-1/4 hex cap 18-8 S/S, 4 req.	2.83	3.40
4	070431	Bolt, 3/8-16 x 2 hex cap 18-8 S/S, 2 req.	3.11	3.74
5	070927	Foot WF, pump motor support, almond	43.41	52.16
6	070929	Foot insert WF pump, almond	21.78	26.17
7	071131Z	Plug drain WFE, almond, (2 req.)	6.96	8.36
8	071403	Nut, 3/8-16 brass nickel plated, 2 req.	1.74	2.09
9	071406	Nut, 1/4-20 hex S/S, 2 req.	1.74	2.09
10	355227Z	O-ring #238, 3.484 x .139, buna N 70	3.68	4.42
11	071652Z	Screw, 1/4, 20 x 1 LH phillips pan MS 18-8 S/S, 1 req.	CALL	CALL
12	071657Z	Screw, 1/4-20 x 1 in. hex cap 18-8 S/S, 2 req.	CALL	CALL
13	071660Z	Screw set, 4-40 x 1-1/8 WFE sckt cap 18-8 S/S, 2 req.	CALL	CALL
14	072183	Washer, flat 1/4 x 5/8 20GA thick 18-8 S/S, 2 req.	1.74	2.09
15	072184	Washer, 3/8 ID x 7/8 OD .05 thick 18-8 S/S, 6 req.	1.74	2.09
16	072928	Diffuser assembly, black	102.87	123.61
17	073131	Impeller, IntelliFlo	113.00	135.78
18	075713	Rubber washer, WFE pump, 1 req.	1.74	2.09
19	192115Z	O-ring 112, .487 x .103 buna -N 70, 2 req.	2.86	3.44
20	350013Z	O-ring lid CH/WF 2-436, 1 req.	4.28	5.14
21	350015	Housing WFE, almond	258.40	310.49
22	350202	Seal plate kit, almond w/ gasket (Items 23, 35, 36)	227.98	273.94
23	357100Z	Black Gasket for Seal plate	7.30	8.77
23	357102Z	Almond Gasket for Seal plate	7.30	8.77
24	357151	Lid, see thru WF.	40.64	48.83
24	357156	Lid, Chemical Resistant	76.67	92.13
25	357199	Clamp cam & ramp WF, almond	53.98	64.86
26	357243	Pot WF assy., almond (contains 1, 7 (qty. 2), 19 (qty. 2), 20, 21, 24, 25	540.71	649.72

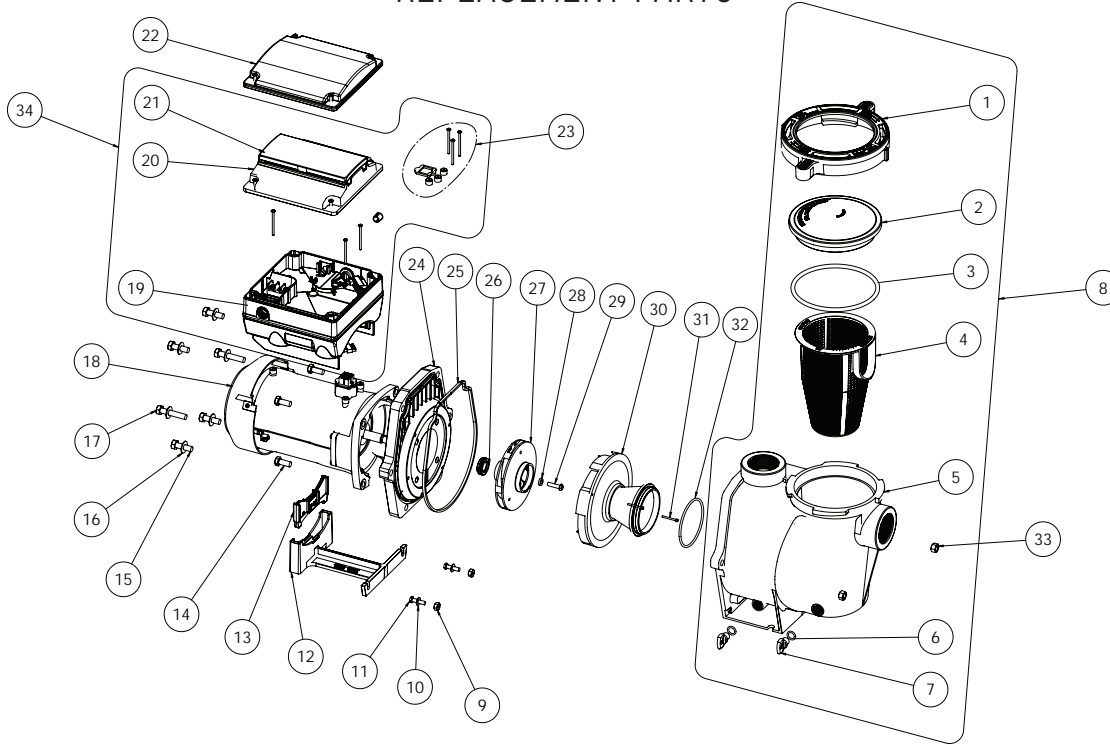
Item	Part No.	Description	US List	Can. List
27	350621	Junction Box Cover - Almond	22.98	27.61
28	350721	Drive IntelliFlo VF assy. kit, almond (contains drive VF, control cover assy.)	CALL	CALL
29	352401	Motor fan kit, almond (contains fan, shroud, hardware).	196.52	236.14
30	350601	Drive Control Cover assembly kit, almond (contains drive lid, screws, spacer caps, items 31, 32 (qty. 3), 33, 34 (qty. 3) ¹)	245.17	294.60
30	400100	Drive Control Cover assembly kit, almond (contains drive lid, screws, spacer caps, items 31, 32 (qty. 3), 33, 34 (qty. 3) ²)	245.17	294.60
31	350082	Control cover assembly (not sold individually - order item assy. kit item #30)	CALL	CALL
32	350107	Screw 10-24 x 3/4 in. PH MS 18-8 s/s (qty. 3)	4.74	5.70
33	350108	IntelliFlo drive gasket	9.85	11.84
34	350142	Spacer cap (qty. 3)	34.41	41.35
35	071734S	Seal Kit	34.31	41.23
	071732S	Mechanical Seal (ozone/salt resistant)	CALL	CALL
36	074564Z	Seal Plate - Almond	CALL	CALL
37	350105S	Motor VFD 3.2KW PMSM replacement, almond	CALL	CALL
NOT SHOWN				
	070112	Power end IntelliFlo VF (Contains items 2 (qty. 4), 10, 11, 13, 15, 16, 17, 18, 19, 22, 28, 37)	CALL	CALL
	350122	50 ft. Communication Cable	191.51	230.12
	357149	Almond Volute/Seal plate Replacement Kit (Items 1, 7 (Qty 2), 19 (Qty 2), 20, 21, 22, 23, 24, 25)	340.01	408.56
	350612	Hardware/gasket assy. kit (contains 3 screws, 3 spacer caps and drive gasket)	122.38	147.05
	357603	Union Kit (contains 2 complete unions for one pump, not included with pump).	126.44	151.93
	356198	WhisperFlo/IntelliFlo Quick Kit (includes 36, 32, 25, 6(x2), 3, and 28)	37.86	45.49
	350199	Seal Plate Kit (ozone/salt resistant)	222.66	267.55

¹ Used on pumps manufactured before 12/28/11

² Used on pumps manufactured after 12/28/11

INTELLIFLO® VSF PUMP/INTELLIFLO 2 VST PUMP INTELLIFLO VS PUMP - AFTER 2018

REPLACEMENT PARTS



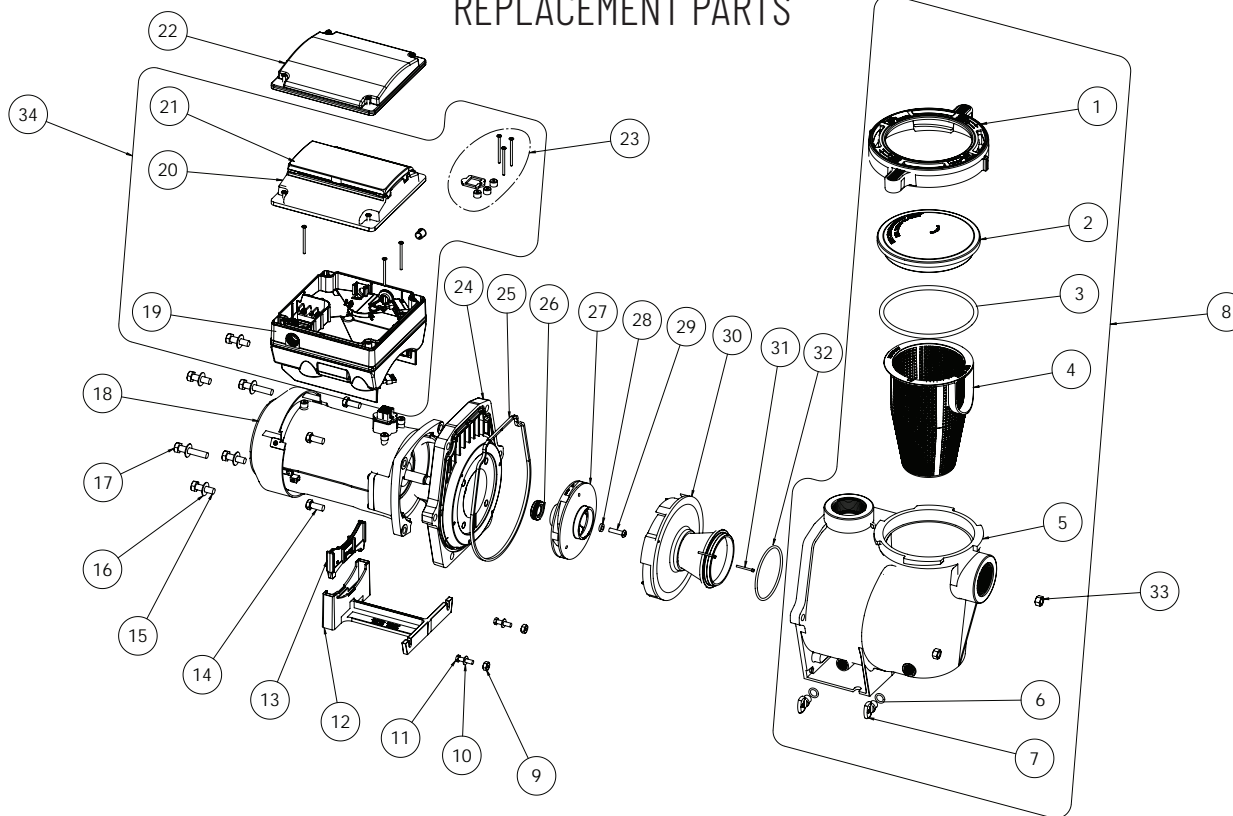
Item	Part No.	Description	US List	Can. List
INTELLIFLO PUMP				
1	357199	Clamp, Cam and Ramp	53.98	64.86
2	357151	See-through Lid	40.64	48.83
3	350013Z	Lid O-Ring	4.28	5.14
4	070387Z	Strainer Basket	18.94	22.76
5	350015	Volute WF	258.40	310.49
6	192115Z	O-Ring 112 for Drain Plug (Qty 2)	2.86	3.44
7	071131Z	Drain Plug WF (2 req.)	6.96	8.36
8	357243	Volute Kit (Contains items #1-7)	540.71	649.72
9	071406	Nut 1/4-20 Hex SS (Qty 2)	1.74	2.09
10	072183	Washer, Flat 1/4" ID x 5/8" OD (Qty 2)	1.74	2.09
11	071657Z	Screw 1/4-20 x 1" Hex Cap SS, 2 req.	CALL	CALL
12	070927	Foot WF	43.41	52.16
13	070929	Foot Insert WFE Pump Motor Support	21.78	26.17
14	070429Z	Bolt, 3/8-16 X 7/8 SS Hex Head 18-8, 4 req.	CALL	CALL
15	072184	Washer, Flat 3/8" ID x 7/8 OD (Qty 6)	1.74	2.09
16	070430	Bolt, Hex Head 3/8-16 x 1.25" (Qty 4)	2.83	3.40
17	070431	Bolt, Hex Head 3/8-16 x 2" (Qty 2)	3.11	3.74
18	350305S	Motor, 3.2 kW 10 Pole	CALL	CALL
19	356880Z	Drive (VSF model) (pumps mfg. before 10/2020)	CALL	CALL
19	356944Z	Drive (VSF model) (pumps mfg. after 10/2020)	CALL	CALL
19	356878Z	Drive (2VST and VS models)	CALL	CALL
20	357527Z	Keypad Assembly Kit (Contains item #21)	386.61	464.55
21	400100	Keypad Cover	245.17	294.60
22	356904Z	Keypad Relocation Kit (Contains Keypad Relocation cable and Blank Drive Cover)	84.03	100.97

Item	Part No.	Description	US List	Can. List
23	355685	Drive Hardware Kit (Contains Drive Screws, Drive Gasket and Screw Caps)	122.38	147.05
24	074564Z	Seal Plate	CALL	CALL
25	357100Z	Seal Plate Gasket	7.30	8.77
26	071734S	Mechanical Seal	34.31	41.23
26	071732S	Mechanical Seal (ozone/salt resistant)	CALL	CALL
27	073131	Impeller (pumps mfg. before 10/2020)	113.00	135.78
27	356237	Impeller (pumps mfg. after 10/2020)	CALL	CALL
28	075713	Rubber Washer, Impeller Set Screw	1.74	2.09
29	071652Z	Impeller Set Screw 1/4-20 LH Thread	CALL	CALL
30	072928	Diffuser (pumps mfg. before 10/2020)	102.87	123.61
30	356238	Diffuser (pumps mfg. after 10/2020)	CALL	CALL
31	071660Z	Diffuser Set Screw 4-40 x 1-1/8, 2 req.	CALL	CALL
32	355227Z	Diffuser O-Ring	3.68	4.42
33	071403	Nut 3/8" Brass, Nickel Plated (Qty 2)	1.74	2.09
34	356922Z	Drive Kit (VSF model) (Incl. Items #19-23)	CALL	CALL
34	356879Z	Drive Kit (2VST and VS models) (Incl. Items #19-23)	CALL	CALL
NOT SHOWN				
	350122	50 Ft. Communication Cable	191.51	230.12
	350202	Seal Plate Kit w/Mechanical Seal (Incl. Items #24, 25 and 26)	227.98	273.94
	354044	Power End - (2VST and VS models)	2703.58	3248.62
	356198	WhisperFlo/IntelliFlo Quick Kit (includes 26, 32, 25, 6(x2), 3 and 28)	37.86	45.49
	357603	Union Kit (Incl. 2 complete unions for 1 pump - Not included with pump)	126.44	151.93
	350199	Seal Plate Kit (Ozone/Salt resistant)	222.66	267.55
	352401	Motor Fan Kit	196.52	236.14

Product on pages 170–171.

INTELLIFLO® VS+SVRS PUMP - AFTER JUNE 2016

REPLACEMENT PARTS



Item	Part No.	Description	US List	Can. List
INTELLIFLO VS+SVRS PUMP				
1	357199	Clamp, Cam and Ramp	53.98	64.86
2	357151	See-through Lid	40.64	48.83
3	350013Z	Lid O-Ring	4.28	5.14
4	070387Z	Strainer Basket	18.94	22.76
5	350015	Volute WF	258.40	310.49
6	192115Z	O-Ring 112 for Drain Plug (Qty 2)	2.86	3.44
7	071131Z	Drain Plug WF (2 req.)	6.96	8.36
8	357243	Volute Kit (Contains items #1-7)	540.71	649.72
9	071406	Nut 1/4-20 Hex SS (Qty 2)	1.74	2.09
10	072183	Washer, Flat 1/4" ID x 5/8" OD (Qty 2)	1.74	2.09
11	071657Z	Screw 1/4-20 x 1" Hex Cap SS, 2 req.	CALL	CALL
12	070927	Foot WF	43.41	52.16
13	070929	Foot Insert WFE Pump Motor Support	21.78	26.17
14	070429Z	Bolt, 3/8-16 X 7/8 SS Hex Head 18-8, 4 req.	CALL	CALL
15	072184	Washer, Flat 3/8" ID x 7/8 OD (Qty 6)	1.74	2.09
16	070430	Bolt, Hex Head 3/8-16 x 1.25" (Qty 4)	2.83	3.40
17	070431	Bolt, Hex Head 3/8-16 x 2" (Qty 2)	3.11	3.74
18	350305S	Motor, 3.2 kW 10 Pole	CALL	CALL
19	356910Z	Drive	CALL	CALL
20	357527Z	Keypad Assembly Kit (Contains item #21)	386.61	464.55
21	400100	Keypad Cover	245.17	294.60
22	356904Z	Keypad Relocation Kit (Contains Keypad Relocation cable and Blank Drive Cover)	84.03	100.97

Item	Part No.	Description	US List	Can. List
23	355685	Drive Hardware Kit (Contains Drive Screws, Drive Gasket and Screw Caps)	122.38	147.05
24	074564Z	Seal Plate	CALL	CALL
25	357100Z	Seal Plate Gasket	7.30	8.77
26	071734S	Mechanical Seal	34.31	41.23
26	071732S	Mechanical Seal (ozone/salt resistant)	CALL	CALL
27	073131	Impeller (pumps mfg. before 10/2020)	113.00	135.78
27	356237	Impeller (pumps mfg. after 10/2020)	CALL	CALL
28	075713	Rubber Washer, Impeller Set Screw	1.74	2.09
29	071652Z	Impeller Set Screw 1/4-20 LH Thread	CALL	CALL
30	072928	Diffuser (pumps mfg. before 10/2020)	102.87	123.61
30	072928	Diffuser (pumps mfg. after 10/2020)	CALL	CALL
31	071660Z	Diffuser Set Screw 4-40 x 1-1/8, 2 req.	CALL	CALL
32	355227Z	Diffuser O-Ring	3.68	4.42
33	071403	Nut 3/8" Brass, Nickel Plated (Qty 2)	1.74	2.09
34	356911Z	Drive Kit (Incl. Items #19-23)	CALL	CALL
NOT SHOWN				
	350122	50 Ft. Communication Cable	191.51	230.12
	350202	Seal Plate Kit w/Mechanical Seal (Incl. Items #24, 25 and 26)	227.98	273.94
	357603	Union Kit (Incl. 2 complete unions for 1 pump - Not included with pump)	126.44	151.93
	356198	Whisper/IntelliFlo Quick Kit (Includes 26, 32, 25, 6(x2), 2 and 28)	37.86	45.49
	350199	Seal Plate Kit (Ozone/Salt resistant)	222.66	267.55
	352401	Motor Fan Kit	196.52	236.14

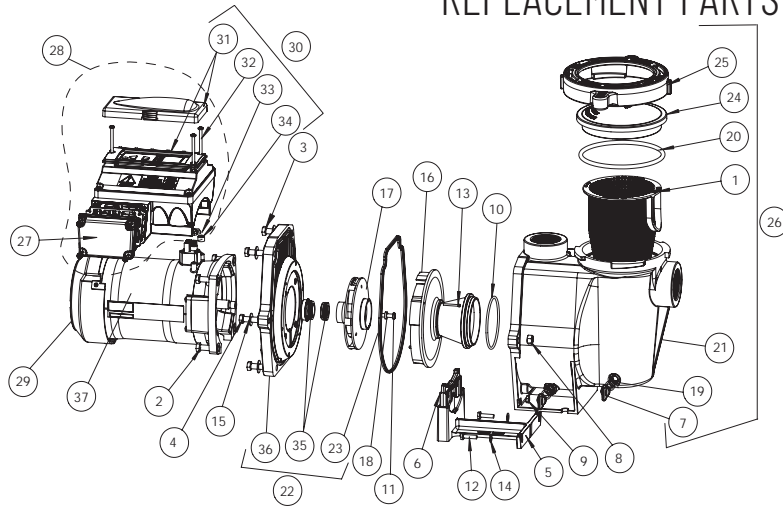
CALIFORNIA PROPOSITION 65 WARNING

⚠ **WARNING:** Cancer and Reproductive Harm.
 ⚠ **AVERTISSEMENT:** Peut Causer le Cancer et des Dommages au Système Reproducteur.
 ⚠ **ADVERTENCIA:** Cáncer y Daño Reproductivo.
www.p65warnings.ca.gov

Product on pages 172–173.

INTELLIFLO® VARIABLE SPEED PUMP- BEFORE 2019 INTELLIFLO VS+SVRS PUMP - BEFORE JUNE 2016

REPLACEMENT PARTS



CALIFORNIA PROPOSITION 65 WARNING
 ⚠️ **WARNING:** Cancer and Reproductive Harm.
 ⚠️ **AVERTISSEMENT:** Peut Causer le Cancer et des Dommages au Système Reproducteur.
 ⚠️ **ADVERTENCIA:** Cáncer y Daño Reproductivo.
www.p65warnings.ca.gov FN200714

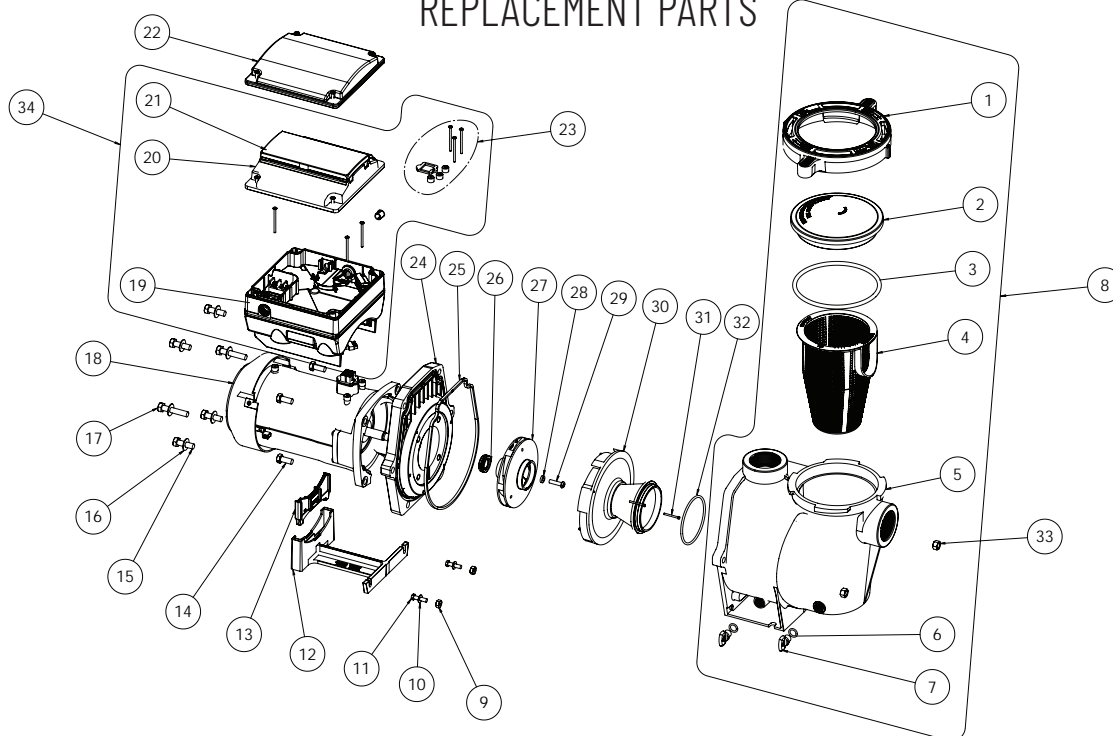
Item	Part No.	Description	US List	Can. List
INTELLIFLO VARIABLE SPEED & INTELLIFLO VS+SVRS				
1	070387Z	Basket WF	18.94	22.76
2	070429Z	Bolt, 3/8-16 X 7/8 SS Hex Head 18-8, 4 req.	CALL	CALL
3	070430	Bolt, 3/8-16 x 1-1/4 hex cap 18-8 S/S, 4 req.	2.83	3.40
4	070431	Bolt, 3/8-16 x 2 hex cap 18-8 S/S, 2 req.	3.11	3.74
5	070927	Foot WF, pump motor support, almond	43.41	52.16
6	070929	Foot insert WF pump, almond	21.78	26.17
7	071131Z	Plug drain WFE, almond, (2 req.)	6.96	8.36
8	071403	Nut, 3/8-16 brass nickel plated, 2 req.	1.74	2.09
9	071406	Nut, 1/4-20 hex S/S, 2 req.	1.74	2.09
10	355227Z	O-ring #238, 3.484 x .139, buna N 70	3.68	4.42
11	071652Z	Screw, 1/4, 20 x 1 LH phillips pan MS 18-8 S/S, 1 req.	CALL	CALL
12	071657Z	Screw, 1/4-20 x 1 in. hex cap 18-8 S/S, 2 req.	CALL	CALL
13	071660Z	Screw set, 4-40 x 1-1/8 WFE sckt cap 18-8 S/S, 2 req.	CALL	CALL
14	072183	Washer, flat 1/4 x 5/8 20GA thick 18-8 S/S, 2 req.	1.74	2.09
15	072184	Washer, 3/8 ID x 7/8 OD .05 thick 18-8 S/S, 6 req.	1.74	2.09
16	072928	Diffuser assembly, black	102.87	123.61
17	073131	Impeller, IntelliFlo	113.00	135.78
18	075713	Rubber washer, WFE pump, 1 req.	1.74	2.09
19	192115Z	O-ring 112, .487 x .103 buna -N 70, 2 req.	2.86	3.44
20	350013Z	O-ring lid CH/WF 2-436, 1 req.	4.28	5.14
21	350015	Housing WFE, almond	258.40	310.49
22	350202	Seal plate kit, almond w/ gasket (Items 23, 35, 36)	227.98	273.94
23	357100Z	Black Gasket for Seal plate	7.30	8.77
23	357102Z	Almond Gasket for Seal plate	7.30	8.77
24	357151	Lid, see thru WF.	40.64	48.83
24	357156	Lid, Chemical Resistant	76.67	92.13
25	357199	Clamp cam & ramp WF, almond	53.98	64.86
26	357243	Pot WF assy., almond (contains 1, 7 (qty. 2), 19 (qty. 2), 20, 21, 24, 25	540.71	649.72
27	350621	Junction Box Cover - Almond	22.98	27.61

Item	Part No.	Description	US List	Can. List
28	356879Z	IntelliFlo Variable Speed Drive Kit - Contains Drive and Control Cover Assy. (VS only)	CALL	CALL
28	351021	IntelliFlo VS+SVRS Drive Kit ¹ - Contains Drive and Control Cover Assy. (SVRS drive)	CALL	CALL
29	352401	Motor fan kit, almond (contains fan, shroud, hardware).	196.52	236.14
30	350601	Drive Control Cover assembly kit ² , almond (contains drive lid, screws, spacer caps, items 31, 32 (qty. 3), 33, 34 (qty. 3))	245.17	294.60
30	400100	Drive Control Cover assembly kit ³ , almond (contains drive lid, screws, spacer caps, items 31, 32, (qty.3), 33, 34 (qty. 3))	245.17	294.60
31	350082	Control cover assembly (not sold individually - order assy. kit item #30)	CALL	CALL
32	350107	Screw 10-24 x 3 3/4 in. PH MS 18-8 s/s (qty. 3)	4.74	5.70
33	350108	IntelliFlo drive gasket	9.85	11.84
34	350142	Spacer cap (qty. 3)	34.41	41.35
35	071734S	Seal Kit	34.31	41.23
35	071732S	Mechanical Seal (ozone/salt resistant)	CALL	CALL
36	074564Z	Seal Plate - Almond	CALL	CALL
37	350105S	Motor VFD 3.2KW PMSM replacement, almond	CALL	CALL
NOT SHOWN				
	070118	Power end IntelliFlo Variable Speed (Contains items 2, 10, 11, 13, 15, 16, 17, 18, 19, 22, 28)	CALL	CALL
	350122	50 ft. Communication Cable	191.51	230.12
	357149	Almond Volute/Seal plate Replacement Kit (Items 1, 7 (Qty 2), 19 (Qty 2), 20, 21, 22, 23, 24, 25)	340.01	408.56
	350612	Hardware/gasket assy. kit (contains 3 screws, 3 spacer caps and drive gasket)	122.38	147.05
	357603	Union Kit (contains 2 complete unions for one pump, not included with pump).	126.44	151.93
	356198	WhisperFlo/IntelliFlo Quick Kit (includes 35, 10, 18, 23, 20, 19(x2))	37.86	45.49
	350199	Seal Plate Kit (ozone/salt resistant)	222.66	267.55

¹ Contact factory for IntelliFlo VS+SVRS2
² Used on pumps manufactured before 12/23/13
³ Used on pumps manufactured after 12/23/13 to present

INTELLIFLO® i1 + i2 VARIABLE SPEED PUMP - AFTER APRIL 2016

REPLACEMENT PARTS



Item	Part No.	Description	US List	Can. List
INTELLIFLOX PUMP				
1	357199	Clamp, Cam and Ramp	53.98	64.86
2	357151	See-through Lid	40.64	48.83
3	350013Z	Lid O-Ring	4.28	5.14
4	070387Z	Strainer Basket	18.94	22.76
5	350015	Volute WF	258.40	310.49
6	192115Z	O-Ring 112 for Drain Plug (Qty 2)	2.86	3.44
7	071131Z	Drain Plug WF (2 req.)	6.96	8.36
8	357243	Volute Kit (Contains items #1-7)	540.71	649.72
9	071406	Nut 1/4-20 Hex SS (Qty 2)	1.74	2.09
10	072183	Washer, Flat 1/4" ID x 5/8" OD (Qty 2)	1.74	2.09
11	071657Z	Screw 1/4-20 x 1" Hex Cap SS, 2 req.	CALL	CALL
12	070927	Foot WF	43.41	52.16
13	070929	Foot Insert WFE Pump Motor Support	21.78	26.17
14	070429Z	Bolt, 3/8-16 X 7/8 SS Hex Head 18-8, 4 req.	CALL	CALL
15	072184	Washer, Flat 3/8" ID x 7/8 OD (Qty 6)	1.74	2.09
16	070430	Bolt, Hex Head 3/8-16 x 1.25" (Qty 4)	2.83	3.40
17	070431	Bolt, Hex Head 3/8-16 x 2" (Qty 2)	3.11	3.74
18	350305S	Motor, 3.2 kW 10 Pole	CALL	CALL
19	356878Z	Drive, Variable Speed	CALL	CALL
20	357527Z	Keypad Assembly Kit (Contains item #21)	386.61	464.55
21	400100	Keypad Cover	245.17	294.60
22	356904Z	Keypad Relocation Kit (Contains Keypad Relocation cable and Blank Drive Cover)	84.03	100.97
23	355685	Drive Hardware Kit (Contains Drive Screws, Drive Gasket and Screw Caps)	122.38	147.05

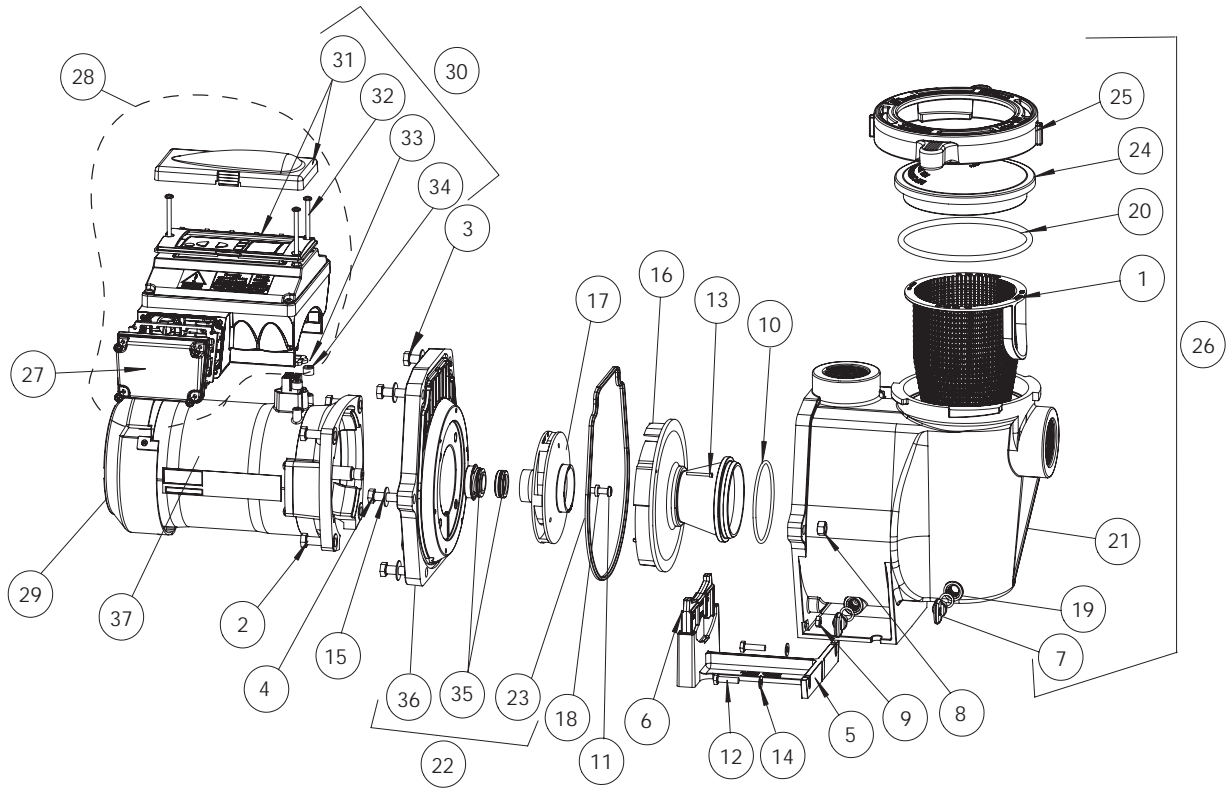
Item	Part No.	Description	US List	Can. List
24	074564Z	Seal Plate	CALL	CALL
25	357100Z	Seal Plate Gasket	7.30	8.77
26	071734S	Mechanical Seal	34.31	41.23
	071732S	Mechanical Seal (ozone/salt resistant)	CALL	CALL
27	073128	Impeller, i1 Pump	113.00	135.78
27	073131A	Impeller, i2 Pump	108.71	130.63
28	075713	Rubber Washer, Impeller Set Screw	1.74	2.09
29	071652Z	Impeller Set Screw 1/4-20 LH Thread	CALL	CALL
30	072930	Diffuser, i1 Pump	86.07	103.42
30	072927Z	Diffuser, i2 Pump	CALL	CALL
31	071660Z	Diffuser Set Screw 4-40 x 1-1/8, 2 req.	CALL	CALL
32	355227Z	Diffuser O-Ring	3.68	4.42
33	071403	Nut 3/8" Brass, Nickel Plated (Qty 2)	1.74	2.09
34	356879Z	Drive Kit (Incl. Items #19-23)	CALL	CALL

NOT SHOWN				
	350122	50 Ft. Communication Cable	191.51	230.12
	350202	Seal Plate Kit w/Mechanical Seal (Incl. Items #24, 25 and 26)	227.98	273.94
	357603	Union Kit (Incl. 2 complete unions for 1 pump - Not included with pump)	126.44	151.93
	356198	WhisperFlo/IntelliFlo Quick Kit (includes 26, 32, 25, 6(x2), 3 and 28)	37.86	45.49
	350199	Seal Plate Kit (Ozone/Salt resistant)	222.66	267.55
	352401	Motor Fan Kit	196.52	236.14

CALIFORNIA PROPOSITION 65 WARNING
 ⚠️ **WARNING:** Cancer and Reproductive Harm.
 ⚠️ **AVERTISSEMENT:** Peut Causer le Cancer et des Dommages au Système Reproducteur.
 ⚠️ **ADVERTENCIA:** Cáncer y Daño Reproductivo.
www.p65warnings.ca.gov P652016A

Product on pages 174–177.

INTELLIFLO® i1 VARIABLE SPEED PUMP - BEFORE APRIL 2016 REPLACEMENT PARTS



CALIFORNIA PROPOSITION 65 WARNING

⚠ **WARNING:** Cancer and Reproductive Harm.
 ⚠ **AVERTISSEMENT:** Peut Causer le Cancer
 et des Dommages au Système Reproducteur.
 ⚠ **ADVERTENCIA:** Cáncer y Daño Reproductivo.
www.p65warnings.ca.gov

PK32073A

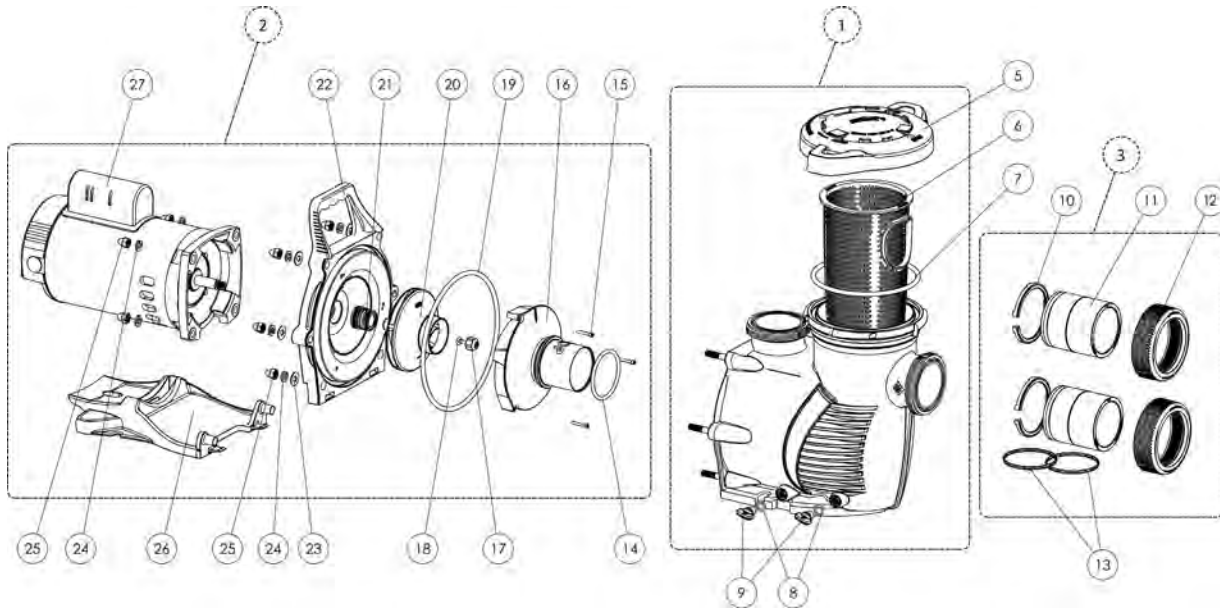
INTELLIFLO® i1 VARIABLE SPEED PUMP - BEFORE APRIL 2016

REPLACEMENT PARTS

Item	Part No.	Description	US List	Can. List
INTELLIFLO i1 VARIABLE SPEED PUMP				
1	070387Z	Basket WF	18.94	22.76
2	070429Z	Bolt, 3/8-16 X 7/8 SS Hex Head 18-8, 4 req.	CALL	CALL
3	070430	Bolt, 3/8-16 x 1-1/4 hex cap 18-8 S/S, 4 req.	2.83	3.40
4	070431	Bolt, 3/8-16 x 2 hex cap 18-8 S/S, 2 req.	3.11	3.74
5	070927	Foot WF, pump motor support, almond	43.41	52.16
6	070929	Foot insert WF pump, almond	21.78	26.17
7	071131Z	Plug drain WFE, almond, (2 req.)	6.96	8.36
8	071403	Nut, 3/8-16 brass nickel plated, 2 req.	1.74	2.09
9	071406	Nut, 1/4-20 hex S/S, 2 req.	1.74	2.09
10	355227Z	O-ring #238, 3.484 x .139, buna N 70	3.68	4.42
11	071652Z	Screw, 1/4, 20 x 1 LH phillips pan MS 18-8 S/S, 1 req.	CALL	CALL
12	071657Z	Screw, 1/4-20 x 1 in. hex cap 18-8 S/S, 2 req.	CALL	CALL
13	071660Z	Screw set, 4-40 x 1-1/8 WFE sckt cap 18-8 S/S, 2 req.	CALL	CALL
14	072183	Washer, flat 1/4 x 5/8 20GA thick 18-8 S/S, 2 req.	1.74	2.09
15	072184	Washer, 3/8 ID x 7/8 OD .05 thick 18-8 S/S, 6 req.	1.74	2.09
16	072930	Diffuser assembly	86.07	103.42
17	073128	Impeller, 1 HP	113.00	135.78
18	075713	Rubber washer, WFE pump, 1 req.	1.74	2.09
19	192115Z	O-ring 112, .487 x .103 buna -N 70, 2 req.	2.86	3.44
20	350013Z	O-ring lid CH/WF 2-436, 1 req.	4.28	5.14
21	350015	Housing WFE, almond	258.40	310.49
22	350202	Seal plate kit, almond w/ gasket (Items 23, 35, 36)	227.98	273.94
23	357100Z	Black Gasket for Seal plate	7.30	8.77
24	357151	Lid, see thru WF.	40.64	48.83
24	357156	Lid, Chemical Resistant	76.67	92.13
25	357199	Clamp cam & ramp WF, almond	53.98	64.86
26	357243	Pot WF assy., almond (contains 1, 7 (qty. 2), 19 (qty. 2), 20, 21, 24, 25)	540.71	649.72
27	350621	Junction Box Cover - Almond	22.98	27.61
28	356879Z	IntelliFlo Variable Speed Drive Kit - Contains Drive and Control Cover Assy.	CALL	CALL
29	352401	Motor fan kit, almond (contains fan, shroud, hardware).	196.52	236.14

Item	Part No.	Description	US List	Can. List
30	350601	Drive Control Cover assembly kit, almond (contains drive lid, screws, spacer caps, items 31, 32 (qty. 3), 33, 34 (qty. 3))	245.17	294.60
31	350082	Control cover assembly (Not sold individually - order assy kit item 30)	CALL	CALL
32	350107	Screw 10-24 x 3¼ in. PH MS 18-8 s/s (qty. 3)	4.74	5.70
33	350108	IntelliFlo drive gasket	9.85	11.84
34	350142	Spacer cap (qty. 3)	34.41	41.35
35	071734S	Seal Kit	34.31	41.23
35	071732S	Mechanical Seal (ozone/salt resistant)	CALL	CALL
36	074564Z	Seal Plate - Almond	CALL	CALL
37	350105S	Motor VFD 3.2KW PMSM replacement, almond	CALL	CALL
NOT SHOWN				
	070119	Power end IntelliFlo Variable Speed (Contains items 2 (qty. 4), 10, 11, 13, 15, 16, 17, 18, 19, 22, 28, 37)	CALL	CALL
	350122	50 ft. Communication Cable	191.51	230.12
	357149	Almond Volute/Seal plate Replacement Kit (Items 1, 7 (Qty 2), 19 (Qty 2), 20, 21, 22, 23, 24, 25)	340.01	408.56
	350612	Hardware/gasket assy. kit (contains 3 screws, 3 spacer caps and drive gasket)	122.38	147.05
	356198	WhisperFlo/IntelliFlo Quick Kit (includes 35, 10, 18, 23, 20, 19(x2))	37.86	45.49
	357603	Union Kit (contains 2 complete unions for one pump, not included with pump).	126.44	151.93
	350201	Seal plate kit without gasket (Items 35 and 36)	CALL	CALL
	350199	Seal Plate Kit (ozone/salt resistant)	222.66	267.55

WHISPERFLOXF® PUMP REPLACEMENT PARTS



Item	Part No.	Description	US List	Can. List
WHISPERFLO XF PUMP				
1	400000	Wet End Assembly	355.70	427.41
2	See chart on next page	Power End Assembly		
3	410020	Union Kit Without Tap	162.05	194.72
5	400006	Lid/Locking Ring Assembly	62.59	75.21
6	400007Z	XF Series Replacement Basket	39.14	47.03
7	35505-1440	Lid/Locking Ring O-Ring	20.99	25.22
8	192115Z	Drain Plug O-Ring	2.86	3.44
9	071131Z	Drain Plug (2 req.)	6.96	8.36
10	410001	2.5 in. C-Clip Locking Ring	7.93	9.53
11	410002	2.5 in. Union Adapter without Tap	37.55	45.12
12	411000	2.5 in. Union Nut	21.77	26.16
13	410016Z	2.5 in. Seal Kit - (Includes two)	13.40	16.10
14	350336	Diffuser O-Ring	3.70	4.45
15	353323	Diffuser Screw	3.70	4.45
16	See chart on next page	Diffuser		
17	37337-6080	Impeller Screw, Plastic Head (pumps mfg. before 10/7/2019)	CALL	CALL
17	356073	Impeller Screw, Metal-Head (pumps mfg. after 10/7/19)	CALL	CALL
18	072172	Impeller screw washer	CALL	CALL

Item	Part No.	Description	US List	Can. List
19	351446	Seal Plate O-Ring	7.06	8.48
20	See chart on next page	Impeller Assembly (includes screw and washer)	CALL	CALL
21	17351-0101S	Mechanical Seal Assembly	29.52	35.47
22	400002	Seal Plate	235.08	282.47
23	072184	Flat Washer	1.74	2.09
24	U43-12SS	Split Lock Washer	3.00	3.60
25	071413	Acorn Nut	1.38	1.66
26	400004Z	Motor Base	43.41	52.16
27	See chart on next page	Motors		
NOT SHOWN				
	400030Z	Hardware and Orings Kit	71.14	85.48
	400031Z	Seal Plate Kit w/ Mechanical Seal	227.67	273.57
	400012	Riser Plate XF to Challenger	75.10	90.24
	400013Z	Motor End Cap and Screw	29.42	35.35
	357923Z	Fan Guard Kit TEFC/Super-Duty	CALL	CALL

CALIFORNIA PROPOSITION 65 WARNING

⚠ **WARNING:** Cancer and Reproductive Harm.
 ⚠ **AVERTISSEMENT:** Peut Causer le Cancer et des Dommages au Système Reproducteur.
 ⚠ **ADVERTENCIA:** Cáncer y Daño Reproductivo.
www.p65warnings.ca.gov

WHISPERFLOXF[®] PUMP (CONT'D)

REPLACEMENT PARTS

Item	Part No.	Description	US List	Can. List
IMPELLERS				
20	400020Z	XFET-8	132.22	158.88
20	400015Z	XFET-12	143.27	172.15
20	400023Z	XFET-20	154.28	185.38
20	400020Z	XF-8	CALL	CALL
20	400015Z	XF-12	143.27	172.15
20	400020Z	XFE-8	132.22	158.88
20	400015Z	XFE-12	143.27	172.15
20	400023Z	XFE-20	154.28	185.38
20	400020Z	XFDS-8	CALL	CALL
20	400015Z	XFDS-12	CALL	CALL
20	400020Z	XFDS-30	CALL	CALL
20	400020Z	XF-30	132.22	158.88
20	400020Z	XFE-30	132.22	158.88
20	400020Z	XFJ-8	132.22	158.88
20	400015Z	XFJ-12	143.27	172.15
20	400023Z	XFJ-20	154.28	185.38
20	400020Z	XFK-8	132.22	158.88
20	400015Z	XFK-12	143.27	172.15
20	400023Z	XFK-20	154.28	185.38




MOTORS				
27	354815S	2hp 1-Phase TEFC 208-230V	CALL	CALL
27	354817S	3hp 1-Phase TEFC 208-230V	CALL	CALL
27	354819S	5hp 1-Phase TEFC 208-230V	CALL	CALL
27	355026S	2hp Standard E 230V	CALL	CALL
27	355033S	3hp Standard E 230V	CALL	CALL
27	355014S	2hp High Eff 208-230V	CALL	CALL
27	355016S	3hp High Eff 208-230V	CALL	CALL
27	353317S	5hp High Eff 208-230V	CALL	CALL
27	359526S	2hp 2 Speed 230V	CALL	CALL
27	353316S	3hp 2 Speed 230V	CALL	CALL
27	359526S	2.5hp Uprated 2 Speed 230V	CALL	CALL
27	355026S	2.5hp Uprated Standard E 230V	CALL	CALL
27	355014S	2.5hp Uprated High E 208-230V	CALL	CALL
27	354809S	2hp 3 Phase 208-230-460V	CALL	CALL
27	354811S	3hp 3 Phase 208-230-460V	CALL	CALL
27	354813S	5hp 3 Phase 208-230-460V	CALL	CALL

Item	Part No.	Description	US List	Can. List
DIFFUSERS				
16	400010	XFET-8	102.87	123.61
16	400010	XFET-12	102.87	123.61
16	400011Z	XFET-20	111.04	133.43
16	400010	XF-8	102.87	123.61
16	400010	XF-12	102.87	123.61
16	400010	XFE-8	102.87	123.61
16	400010	XFE-12	102.87	123.61
16	400011Z	XFE-20	111.04	133.43
16	400010	XFDS-8	102.87	123.61
16	400010	XFDS-12	102.87	123.61
16	400010	XFDS-30	102.87	123.61
16	400010	XF-30	102.87	123.61
16	400010	XFE-30	102.87	123.61
16	400010	XFJ-8	102.87	123.61
16	400010	XFJ-12	102.87	123.61
16	400011Z	XFJ-20	111.04	133.43
16	400010	XFK-8	102.87	123.61
16	400010	XFK-12	102.87	123.61
16	400011Z	XFK-20	111.04	133.43

POWER ENDS				
2	400632Z	2hp 1-Phase TEFC 208-230V	1412.42	1697.16
2	400633Z	3hp 1-Phase TEFC 208-230V	1695.23	2036.99
2	400634Z	5hp 1-Phase TEFC 208-230V	1830.29	2199.28
2	400612Z	2hp Standard E 230V	1299.36	1561.31
2	400613Z	3hp Standard E 230V	1390.01	1670.24
2	400609Z	2hp High Eff 208-230V	1320.03	1586.15
2	400610Z	3hp High Eff 208-230V	1584.32	1903.72
2	400611Z	5hp High Eff 208-230V	1710.55	2055.40
2	400607Z	2hp 2 Speed 230V	1456.98	1750.71
2	400608Z	3hp 2 Speed 230V	1599.95	1922.50
2	400607Z	2.5hp Uprated 2 Speed 230V	1456.98	1750.71
2	400612Z	2.5hp Uprated Standard E 230V	1299.36	1561.31
2	400609Z	2.5hp Uprated High E 208-230V	1320.03	1586.15
2	400617Z	2hp 3 Phase 208-230-460V	1358.81	1632.75
2	400618Z	3hp 3 Phase 208-230-460V	1449.21	1741.37
2	400619Z	5hp 3 Phase 208-230-460V	1672.79	2010.02

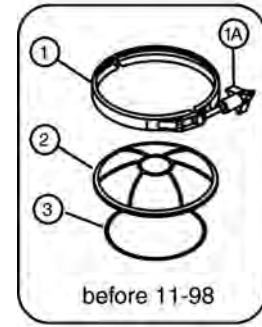
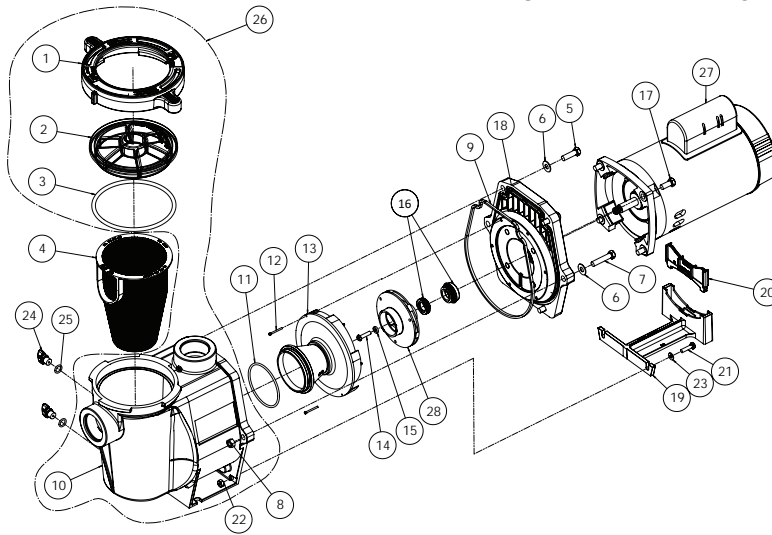
Note: Pumps and replacement motors that are single speed and one (1) Total HP or greater cannot be sold, offered for sale, or installed in a residential pool filtration use in California, Title 20 CCR sections 1601-1609.

CALIFORNIA PROPOSITION 65 WARNING

 **WARNING:** Cancer and Reproductive Harm.
 **AVERTISSEMENT:** Peut Causer le Cancer et des Dommages au Système Reproducteur.
 **ADVERTENCIA:** Cáncer y Daño Reproductivo.

www.p65warnings.ca.gov. PK200704

WHISPERFLO® PUMP REPLACEMENT PARTS



CALIFORNIA PROPOSITION 65 WARNING
 ⚠️ **WARNING:** Cancer and Reproductive Harm.
 ⚠️ **AVERTISSEMENT:** Peut Causer le Cancer et des Dommages au Système Reproducteur.
 ⚠️ **ADVERTENCIA:** Cáncer y Daño Reproductivo.
www.p65warnings.ca.gov PS-2011A

Item	Part No.	Description	US List	Can. List
WHISPERFLO PUMPS				
1	070711	Clamp band assembly, SS, WF/AQ ⁵ (old style)	99.97	120.12
1	357150	Clamp, Cam & Ramp™, plastic, black, WF ⁷	53.98	64.86
1	357199	Clamp, Cam & Ramp, plastic, almond, WF ⁸	53.98	64.86
1A	071136Z	Knob, only ⁵	26.10	31.36
2	070795	Cover, clear, AQ/WFE pump ⁵ (old style)	56.53	67.93
2	357151	Cover, clear, WFE pump ⁶	40.64	48.83
2	357156	Cover, chemical resistant Cam & Ramp	76.67	92.13
3	071422	O-ring, AQ/WFE cover ⁵	7.84	9.42
3	350013Z	O-ring, WFE cover ⁶	4.28	5.14
4	070387Z	Basket	18.94	22.76
5	070430	Bolt, 3/8, 16 x 1-1/4 hex hd. SS, 4 req.	2.83	3.40
6	072184	Washer, 3/8 x 13/16 o.d. SS, 6 req.	1.74	2.09
7	070431	Bolt, 3/8, 16 x 1-3/4 hex hd. SS, 2 req.	3.11	3.74
8	071403	Nut, 3/8, 16 hex hd., 2 req.	1.74	2.09
9	071445	O-ring parker No.2-265, WFE pump ^{1,4}	19.52	23.46
9	357100Z	Black Gasket for Seal Plate ¹⁴	7.30	8.77
9	357102Z	Almond Gasket for Seal Plate ¹⁵	7.30	8.77
10	357149	Volute & Sealplate, Almond Replacement Kit ⁶	340.01	408.56
10	350015	Volute, almond	258.40	310.49
10	357157	Volute, black	258.40	310.49
11	355227Z	O-ring parker No.2-238, WFE pump	3.68	4.42
12	071660Z	Set screw, 4-40 x 1-1/8 WFE, 2 req.	CALL	CALL
13	072928	Diffuser assembly, WFE-12, 3 HP; WFK-12, 3HP models	102.87	123.61
13	072927Z	Diffuser assembly, WFE-2-8, 1/2 HP - 2-1/2 HP	CALL	CALL
14	071652Z	Set screw, 1/4, 20 x 1 lh. phillips	CALL	CALL

Item	Part No.	Description	US List	Can. List
15	075713	Rubber washer, WFE pump	1.74	2.09
16	071734S	Seal PA-7 w/ ceramic seat, PS1000	34.31	41.23
16	071732S	Mechanical Seal (ozone/salt resistant)	CALL	CALL
17	070429Z	Bolt, 3/8-16 X 7/8 SS Hex Head 18-8, 4 req.	CALL	CALL
18	350202	Seal Plate Kit, Almond with Gasket (Includes Mechanical Seal Installed and Seal Plate Gasket) Items 9, 16 & 18	227.98	273.94
18	350101	Seal Plate Kit WFE Black (Includes Mechanical Seal installed) Items 16 & 18	CALL	CALL
19	070927	Foot, WFE-4 pump, almond	43.41	52.16
19	357159	Foot, black ⁹	43.41	52.16
20	070929	Foot insert, WFE pump, almond	21.78	26.17
20	357160	Foot insert, WFE pump, black ⁹	21.78	26.17
21	071657Z	Screw, 1/4, 20 x 1 in. hh. SS, 2 req.	CALL	CALL
22	071406	Nut, 1/4, 20 hex. hd. SS, 2 req.	1.74	2.09
23	072183	Washer, flat 1/4 x 5/8, 2 req.	1.74	2.09
24	071131Z	Knob plug drain, almond (2 req.)	6.96	8.36
24	357161Z	Knob plug drain, 2 req., black ⁹	5.71	6.86
25	192115Z	O-Ring drain plug, 2 req.	2.86	3.44
26	357149	Almond Volute/Seal plate kit ⁶ (Includes items 1-4, 9, 10, 16, 18, 24, 25.)	340.01	408.56
MOTORS				
27	354803S	3/4 HP, 1SP, TEFC	CALL	CALL
27	354821S	1 HP, 1SP, TEFC, WFET- 4	CALL	CALL
27	354823S	1-1/2 HP, 1SP, TEFC, WFET- 6	CALL	CALL
27	354815S	2 HP, 1SP, TEFC, WFET- 8	CALL	CALL
27	354817S	3 HP, 1SP, TEFC, WFET- 12	CALL	CALL
27	355008S	3/4 HP, 1SP, WFE- 2, 3 & 24	CALL	CALL
27	355010S	1 HP, 1SP, WFE- 4 & 26	CALL	CALL
27	355012S	1-1/2 HP, 1SP, WFE- 6 & 28	CALL	CALL
27	355014S	2 HP, 1SP, WFE-8 & 30	CALL	CALL

Note: Pumps and replacement motors that are single speed and one (1) Total HP or greater cannot be sold, offered for sale, or installed in a residential pool for filtration use in California, Title 20 CCR sections 1601-1609.

Product on pages 180-181.

WHISPERFLO® PUMP (CONT'D)

REPLACEMENT PARTS

Item	Part No.	Description	US List	Can. List
MOTORS				
27	355016S	3 HP, 1SP, WFE-12,	CALL	CALL
27	350088S	3/4 HP, 2 sp, WFDS-3	CALL	CALL
27	356630S	1 HP, 2 sp., WFDS-4 & 26 ¹¹	CALL	CALL
27	071320S	1-1/2 HP, 2 sp., WFDS-6 & 28 ¹¹	CALL	CALL
27	071321S	2 HP, 2 sp., WFDS-8 & 30 ¹¹	CALL	CALL
27	355018S	1/2 HP, 1SP, WF-2, 23	CALL	CALL
27	355020S	3/4 HP, 1SP, WF-3, 24	CALL	CALL
27	355022S	1 HP, 1SP, WF-4, 26	CALL	CALL
27	355024S	1-1/2 1SP, HP, WF-6, 28	CALL	CALL
27	355026S	2 HP, 1SP, WF-8, 30	CALL	CALL
27	355033S	3 HP, 1SP, WF-12	CALL	CALL
27	355002S	1/2 HP, 3PH, 1SP	CALL	CALL
27	355001S	3/4 HP, 3PH, 1SP	CALL	CALL
27	354805S	1 HP, 3PH, 1SP, WFK-4	CALL	CALL
27	354807S	1.5 HP, 3PH, 1SP, WFK-6	CALL	CALL
27	354809S	2 HP, 3PH, 1SP, WFK-8	CALL	CALL
27	354811S	3 HP, 3PH, 1SP, WFK-12	CALL	CALL
IMPELLERS				
28	073126	Impeller (WF-2, WF-23, WFE-2, WFK-2,)	113.00	135.78
28	073127	Impeller (WFE-3, WFE-24, WF-3, WF-24, WFK-3, WFDS-3, WFDS-24)	113.00	135.78
28	073128	Impeller (WFE-4, WFE-26, WF-4, WF-26, WFK-4, WFDS-4, WFDS-26)	113.00	135.78
28	073129	Impeller (WF-6, WF-28, WFE-6, WFE-28, WFK-6, WFDS-6, WFDS-28)	113.00	135.78
28	073130	Impeller (WF-8, WF-30, WFE-8, WFE-30, WFK-8, WFDS-8, WFDS-30)	113.00	135.78
28	073131	Impeller (WFE-12, WF-12, WFK-12)	113.00	135.78
POWER END SUBASSY. INCLUDES ITEMS No. 12 THRU 18, 27, 28 , CONT.				
	075251	WF-2, WF-23	CALL	CALL
	075145	WFDS-3, WFDS-24	CALL	CALL
	075136	WFE-2	CALL	CALL
	075137	WFE-3, WFE-24 ³	CALL	CALL
	075138	WFE-4, WFE-26 ³	CALL	CALL
	075139	WFE-6, WFE-28 ³	CALL	CALL
	075140	WFE-8, WFE-30 ³	CALL	CALL
	075141	WFE-12 ³	CALL	CALL
	075142	WFDS-4, WFDS-26 ¹¹	CALL	CALL
	075143	WFDS-6, WFDS-28 ¹¹	CALL	CALL
	075144	WFDS-8, WFDS-30 ¹¹	CALL	CALL
	075252	WF-3, WF-24 ¹⁰	CALL	CALL
	075253	WF-4, WF-26 ¹⁰	CALL	CALL
	075254	WF-6, WF-28 ¹⁰	CALL	CALL
	075255	WF-8, WF-30 ¹⁰	CALL	CALL
	075256	WF-12 ¹⁰	CALL	CALL

Item	Part No.	Description	US List	Can. List
FLUID ENDS-ALL PARTS, W/O MOTOR				
	075452	WFE-3 fluid end, 3/4 HP	CALL	CALL
	075453	WFE-4 fluid end, 1 HP	CALL	CALL
	075454	WFE-6 fluid end, 1-1/2 HP	CALL	CALL
	075455	WFE-8 fluid end, 2 HP	CALL	CALL
	075456	WFE-12 fluid end, 3 HP	CALL	CALL
NOT SHOWN				
	79129900	2-Speed Toggle Switch with Mounting plate	55.25	66.39
	350202	Seal Plate Kit: Seal plate (almond), Gasket (black), with installed Seal (Includes items 9, 16, & 18)	227.98	273.94
	350203	Seal Plate Kit: Seal plate (black), Gasket (black), with installed Seal (Includes items 9, 16, & 18)	227.98	273.94
	356198	WhisperFlo/IntelliFlo Quick Kit (includes 16, 9, 11, 3, 145, 25(x2))	37.86	45.49
	357243	Pot Assembly, Almond NPT. (Includes items 1-4, 10, 24 (qty. 2), 25 (qty. 2))	540.71	649.72
	357244	Pot Assembly, Black NPT. (Includes items 1-4, 10, 24 (qty. 2), 25 (qty. 2))	540.71	649.72
	355001S	Motor for Pump 011021	CALL	CALL
	355002S	Motor for Pump 340061	CALL	CALL
	400013Z	ODP Motor End Cap and Screw	29.42	35.35
	357923Z	Fan Guard Kit TEFC/Super-Duty	CALL	CALL
	350199	Seal Plate Kit (ozone/salt resistant)	222.66	267.55

- ¹ Used on pumps manufactured before 6-94.
- ² Used on pumps manufactured after 6-94.
- ³ Energy efficient single phase.
- ⁴ Pumps manufactured before 11-98 require a volute replacement kit (357149) when replacing items No.9-gasket, No.10-volute, or No.18-seal plate. This kit will update the pump to the new configuration using the "Cam and Ramp" lid design.
- ⁵ Used on pumps manufactured before 11-98.
- ⁶ Used on pumps manufactured after 11-98. Includes items 1-4, 9, 10, 16, 18, 24, 25.
- ⁷ Used on pumps manufactured between 11-98 thru 12-17-99.
- ⁸ Used on pumps manufactured after 12-17-99.
- ⁹ CSA/CUL (only) for Canada.
- ¹⁰ Standard efficiency, single phase.
- ¹¹ Two Speed, single phase.
- ¹² Includes items 16 & 18.
- ¹⁴ 2-1-08 to present.
- ¹⁵ 1-31-08 and prior.

Note: Pumps and replacement motors that are single speed and one (1) Total HP or greater cannot be sold, offered for sale, or installed in a residential pool filtration use in California, Title 20 CCR sections 1601-1609.

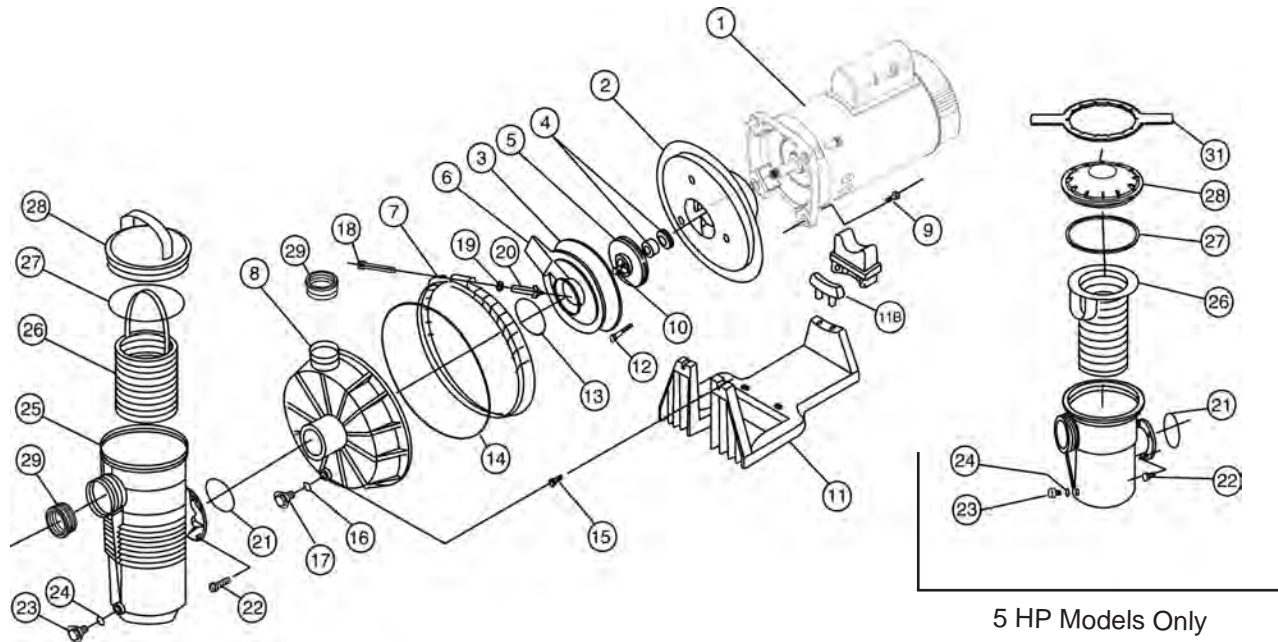
CALIFORNIA PROPOSITION 65 WARNING

▲ **WARNING:** Cancer and Reproductive Harm.
▲ **AVERTISSEMENT:** Peut Causer le Cancer et des Dommages au Système Reproducteur.
▲ **ADVERTENCIA:** Cáncer y Daño Reproductivo.

www.p65warnings.ca.gov
PK2017A

CHALLENGER® HIGH FLOW PUMP

REPLACEMENT PARTS



5 HP Models Only

Item	Part No.	Description	US List	Can. List	Item	Part No.	Description	US List	Can. List
CHALLENGER HIGH FLOW PUMP MOTORS									
1	354804S	3/4HP, 1SP,1PH, TEFC, 115/208-230	CALL	CALL	1	355378S	2F, 2-1/2A std. sq. fig. 2 sp. 230 only	CALL	CALL
1	354822S	1HP, 1SP,1PH, TEFC, 115/208-230	CALL	CALL	2	355004	Plate, seal - black	115.01	138.20
1	354824S	1-1/2HP, 1SP,1PH, TEFC, 208-230	CALL	CALL	3	355028	Plate, mounting 1/2F, 3/4F, 3/4A, 1A	26.80	32.20
1	354816S	2HP, 1SP,1PH, TEFC, 208-230	CALL	CALL	3	355078	Plate, mounting 1F, 1-1/2F, 1-1/2A, 2A	16.87	20.27
1	355019S	1/2F, 3/4A std. sq. fig., 115/208-230	CALL	CALL	3	355095	Plate, mounting 2F, 2-1/2A	29.13	35.00
1	355021S	3/4F, 1A std. sq. fig., 115/208-230	CALL	CALL	3	355495	Plate, mounting 5F	15.58	18.72
1	355023S	1F, 1-1/2A std. sq. fig., 115/208-230	CALL	CALL	4	354545S	Seal, 5/8 in. mechanical	32.40	38.93
1	355025S	1-1/2F, 2A std. sq. fig., 115/208-230	CALL	CALL		356210S	Seal, mechanical (ozone/salt resistant)	CALL	CALL
1	355027S	2F, 2-1/2A std. sq. fig., 208-230	CALL	CALL	5	355043	Impeller, 1/2F, 3/4A	61.61	74.03
1	355034S	3F std. sq. fig. 230 only	CALL	CALL	5	355067	Impeller, 3/4F, 1A	62.83	75.50
1	355009S	3/4FE, 1AE sq. fig. 115/208-230	CALL	CALL	5	355074	Impeller, 1F, 1-1/2A	63.57	76.39
1	355011S	1FE, 1-1/2AE sq. fig. 115/208-230	CALL	CALL	5	355086	Impeller, 1-1/2F, 2A	64.02	76.93
1	355013S	1-1/2FE, 2AE sq. fig. 208-230	CALL	CALL	5	355093	Impeller, 2F, 2-1/2A	65.18	78.32
1	355015S	2FE, 2-1/2AE sq. fig. 208-230	CALL	CALL	5	355068	Impeller, 3F 50 Hz/5F 60 Hz	62.83	75.50
1	355017S	3FE, 1 ph sq. fig. 208-230	CALL	CALL	6	355029	Diffuser, 1/2F, 3/4F, 3/4A, 1A	45.77	55.00
1	353319S	5FE, 1 ph, 5 HP, 208-230	CALL	CALL	6	355077	Diffuser, 1F, 1-1/2F, 1-1/2A, 2A	45.77	55.00
1	355375S	3/4F, 1A std. sq. fig. 2 sp. 115 only, 28 lbs.	CALL	CALL	6	355094	Diffuser, 2F, 2-1/2A	49.06	58.95
1	355232S	3/4F, 1A std. sq. fig. 2 sp. 230 only	CALL	CALL	6	355069	Diffuser, 3F, 50 Hz/5F 60 Hz	42.32	50.85
1	355376S	1F, 1-1/2A std. sq. fig. 2 sp. 230 only	CALL	CALL	7	354629	Band clamp assembly, complete	90.03	108.18
1	355377S	1-1/2F, 2A std. sq. fig. 2 sp. 230 only	CALL	CALL					

Note: Pumps and replacement motors that are single speed and one (1) Total HP or greater cannot be sold, offered for sale, or installed in a residential pool for filtration use in California, Title 20 CCR sections 1601-1609.

CALIFORNIA PROPOSITION 65 WARNING

▲ **WARNING:** Cancer and Reproductive Harm.
 ▲ **AVERTISSEMENT:** Peut Causer le Cancer et des Dommages au Système Reproducteur.
 ▲ **ADVERTENCIA:** Cáncer y Daño Reproductorio.

www.p65warnings.ca.gov. P102074

Product on pages 182–183.

Replacement baskets on page 148.

CHALLENGER® HIGH FLOW PUMP (CONT'D)

REPLACEMENT PARTS

Item	Part No.	Description	US List	Can. List
CHALLENGER HIGH FLOW PUMPS				
8	355468	Housing, front, black ⁴	167.88	201.72
8	355469	Housing, front, almond ⁴	167.88	201.72
9	070429Z	Bolt, 3/8-16 X 7/8 SS Hex Head 18-8, 4 req.	CALL	CALL
10	355389	Screw, impeller locking	1.74	2.09
11	355305	Base, pump ¹	55.99	67.28
11B	355385	Adapter, 5-5/8 in. dia. motor ²	14.30	17.18
12	355334Z	Screw, No.8, 32 hex wsh. hd., 3 req.	3.56	4.28
13	355030Z	O-ring, diffuser (all except 5 HP)	10.61	12.75
13	355331Z	O-ring diffuser, 5 HP only	3.56	4.28
14	355329Z	O-ring, front housing	CALL	CALL
15	355335	Screw, 5/16, 18 x 1/2 in. SS hex hd., 2 req.	1.74	2.09
16	192115Z	O-ring, drain plug	2.86	3.44
17	357161Z	Plug, 1/4 in. drain	5.71	6.86
18	152060	Bolt, 5/16, 18 x 4 in. carriage ²	12.13	14.58
19	072173	Washer, 5/16 in. SS flat	2.00	2.40
20	174882	Knob (fits clamp w/ removable bolt only)	39.82	47.85
20	175025	Knob (fits clamp w/ captured T-bolt only)	39.82	47.85
21	355330	O-ring, strainer pot flange	2.00	2.40
22	354265	Screw, 5/16, 18 hex wsh. hd., 4 req.	2.42	2.91
23	357161Z	Plug, 1/4 in. drain	5.71	6.86
24	192115Z	O-ring, drain plug	2.86	3.44
25	355300	Strainer, pot, black ³	165.51	198.88
26	355318Z	Basket, plastic strainer	CALL	CALL
26	355441	Basket, SS Strainer (3F Only)	213.97	257.11
26	355901	Basket, SS strainer, 5F	463.82	557.33
27	350013Z	O-ring, lid	4.28	5.14
27	152509Z	Square ring, 8-1/2 in. (5 HP only)	CALL	CALL
28	355301	Lid, strainer pot	72.87	87.56
28	354112	Lid, strainer pot, chemical resistant	72.87	87.56
28	355902	Lid, strainer pot, 5F, clear	84.53	101.57
28	355914	Lid, strainer pot, 5F, black, chemical resistant	71.10	85.43
29	552377	Bushing, reducer 1/2F, 3/4F, 3/4A, 1A, 2 req.	16.20	19.47
31	154527	Wrench, 8-1/2 in.	33.17	39.86

Item	Part No.	Description	US List	Can. List
POWER END ASSEMBLIES (INCLUDES ITEMS 1-6, 9, 12 AND 13)				
	355637	CF-N1-3/4F, 1A std., 115/208-230	CALL	CALL
	355638	CF-N1-1F, 1-1/2A std., 115/208-230	CALL	CALL
	355520	CF-N1-1-1/2F, 2A std., 115/208-230	CALL	CALL
	355984	CF-N1-3/4FE, 1AE 115/208-230	CALL	CALL
	355639	CF-N1-1-1/2FE, 2AE 208-230	CALL	CALL
	355986	CF-N1-2FE, 2-1/2AE 208-230	CALL	CALL
	355640	CF-N2-3/4F, 1A 2 sp. std., 115 only	CALL	CALL
	355641	CF-N2-1F, 1-1/2A 2 sp. std., 230 only	CALL	CALL
	355642	CF-N2-1-1/2F, 2A 2 sp. std., 230 only	CALL	CALL
	355987	CF-N2-2F, 2-1/2A 2 sp. std., 230 only	CALL	CALL
	345211	CFII-N1-5FE, power end	CALL	CALL
NOT SHOWN				
	355309	Union kit	124.06	149.07
	356199	Challenger Quick Kit (includes 4, 13, 14, 21, 27, 16, 24)	41.33	49.66
	357391	Pot Assembly, Black with SS basket (3F Only) Includes items 23-28	780.49	937.84
	359507	Pot Assembly, Black with plastic bracket (all models except 3F and 5F) Includes items 23-28.	292.13	351.02
	401014Z	Motor End Cap and Screw	29.42	35.35
	357924Z	Fan Guard Kit TEFC/Super-Duty	CALL	CALL

¹ Pump base (item 11) includes dual radius motor support adapter (item 11B) which fits both 5-5/8 in. & 6-1/2 in. dia. motors.

² Item 18, carriage bolt is a replacement part for old style clamp band assembly (item 7).

³ Includes items 23 & 24.

⁴ Includes items 16 & 17.

Note: Challenger booster pumps consist of 1-20.

Note: Challenger pumps consist of all items except No.15.

Note: When ordering replacement motor, give all information on motor name plate.

Note: Pumps and replacement motors that are single speed and one (1) Total HP or greater cannot be sold, offered for sale, or installed in a residential pool for filtration use in California, Title 20 CCR sections 1601-1609.

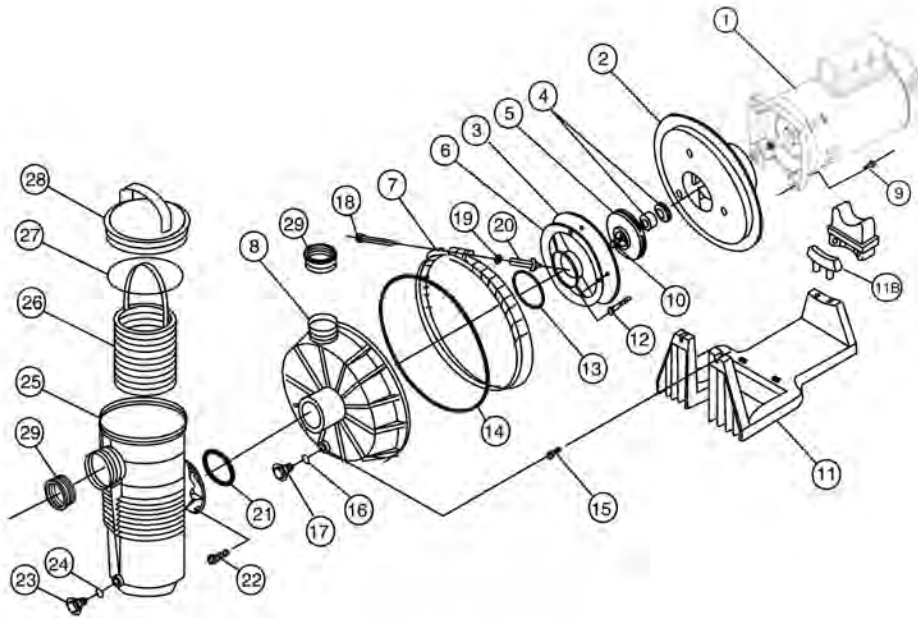
Product on pages 182-183.

Replacement baskets on page 148.

CALIFORNIA PROPOSITION 65 WARNING

⚠️ **WARNING:** Cancer and Reproductive Harm.
 ⚠️ **AVERTISSEMENT:** Peut Causer le Cancer et des Dommages au Système Reproducteur.
 ⚠️ **ADVERTENCIA:** Cáncer y Daño Reproductivo.
www.p65warnings.ca.gov PK2013A

CHALLENGER® HIGH PRESSURE PUMP REPLACEMENT PARTS



Item	Part No.	Description	US List	Can. List
CHALLENGER HIGH PRESSURE PUMP MOTORS				
1	354804S	3/4HP, 1SP,1PH, TEFC, 115/208-230	CALL	CALL
1	354822S	1HP, 1SP,1PH, TEFC, 115/208-230	CALL	CALL
1	354824S	1-1/2HP, 1SP,1PH, TEFC, 208-230	CALL	CALL
1	354816S	2HP, 1SP,1PH, TEFC, 208-230	CALL	CALL
1	354818S	3HP, 1SP, 1PH, TEFC, 208-230	CALL	CALL
1	355019S	1/2F, 3/4A std. sq. fig., 115/208-230	CALL	CALL
1	355021S	3/4F, 1A std. sq. fig., 115/208-230	CALL	CALL
1	355023S	1F, 1-1/2A std. sq. fig., 115/208-230	CALL	CALL
1	355025S	1-1/2F, 2A std. sq. fig., 115/208-230	CALL	CALL
1	355027S	2F, 2-1/2A std. sq. fig., 208-230	CALL	CALL
1	355034S	3F std. sq. fig. 230 only	CALL	CALL
1	355009S	3/4FE, 1AE sq. fig. 115/208-230	CALL	CALL
1	355011S	1FE, 1-1/2AE sq. fig. 115/208-230	CALL	CALL
1	355013S	1-1/2FE, 2AE sq. fig. 208-230	CALL	CALL
1	355015S	2FE, 2-1/2AE sq. fig. 208-230	CALL	CALL
1	355017S	3FE, 1 ph sq. fig. 208-230	CALL	CALL
1	353319S	5FE, 1 ph, 5 HP, 208-230	CALL	CALL
1	355375S	3/4F, 1A std. sq. fig. 2 sp. 115 only, 28 lbs.	CALL	CALL
1	355232S	3/4F, 1A std. sq. fig. 2 sp. 230 only	CALL	CALL
1	355376S	1F, 1-1/2A std. sq. fig. 2 sp. 230 only	CALL	CALL
1	355377S	1-1/2F, 2A std. sq. fig. 2 sp. 230 only	CALL	CALL
1	355378S	2F, 2-1/2A std. sq. fig. 2 sp. 230 only	CALL	CALL
1	354806S	1 HP, 3 ph sq. fig. 208-230/460	CALL	CALL
1	354808S	1-1/2 HP, 3 ph sq. fig. 208-230/460	CALL	CALL
1	354810S	2 HP, 3 ph sq. fig. 208-230/460	CALL	CALL
1	354812S	3HP, 3 ph sq. fig. 208-230/460	CALL	CALL
1	354814S	5HP, 3 ph, sq. fig. 208-230/460	CALL	CALL
2	355004	Plate, seal - black	115.01	138.20

Item	Part No.	Description	US List	Can. List
3	355384	Plate, mounting 1/2F, 3/4A	34.35	41.27
3	355317	Plate, mount 3/4F thru 3F, 1A thru 2-1/2A	16.87	20.27
4	354545S	Seal, 5/8 in. mechanical PS 200	32.40	38.93
	356210S	Seal, mechanical (ozone/salt resistant)	CALL	CALL
5	355147	Impeller, 1/2F, 3/4A	61.61	74.03
5	355187	Impeller, 3/4F, 1A	62.83	75.50
5	355369	Impeller, 1F, 1-1/2A	63.75	76.60
5	355315	Impeller, 1-1/2F, 2A	64.02	76.93
5	355604	Impeller, 2F, 2-1/2A ¹	64.74	77.79
5	355544	Impeller, 3F	83.61	100.47
6	355148	Diffuser, 1/2F, 3/4A	37.54	45.11
6	355188	Diffuser, 3/4F, 1F, 1A, 11/2A	36.57	43.94
6	355270	Diffuser, 1-1/2F, 2A	37.79	45.41
6	355545	Diffuser, 3F, 2.5A, 2F ²	62.46	75.05
7	355320	Band, clamp assembly complete	98.09	117.86
8	355468	Housing, front, black	167.88	201.72
8	355469	Housing, front, almond	167.88	201.72
9	070429Z	Bolt, 3/8-16 X 7/8 SS Hex Head 18-8, 4 req.	CALL	CALL
10	355389	Screw, imp. locking	1.74	2.09
11	355305	Base, pump ³	55.99	67.28
11B	355385	Adapter, 5-5/8 in. dia. motor ⁴	14.30	17.18
12	355334Z	Screw, 8-32 x 1 in. SS hex wsh. hd., 3 req.	3.56	4.28
13	355331Z	O-ring, diffuser	3.56	4.28

CALIFORNIA PROPOSITION 65 WARNING

⚠️ **WARNING:** Cancer and Reproductive Harm.
 ⚠️ **AVERTISSEMENT:** Peut Causer le Cancer et des Dommages au Système Reproducteur.
 ⚠️ **ADVERTENCIA:** Cáncer y Daño Reproductivo.

www.p65warnings.ca.gov. PH2011A

Product on pages 184–185.
 Replacement baskets on page 148.

CHALLENGER® HIGH PRESSURE PUMP (CONT'D)

REPLACEMENT PARTS

Item	Part No.	Description	US List	Can. List
CHALLENGER HIGH PRESSURE PUMPS				
14	355329Z	O-ring, front housing	CALL	CALL
15	355335	Screw, 5/16 in., 18 x 1/2 in. SS hex wsh. hd., 2 req.	1.69	2.03
16	192115Z	O-ring, drain plug	2.86	3.44
17	357161Z	Plug, 1/4 in. drain	CALL	CALL
18	152060	Bolt, 5/16 in., 18 x 4 in. carriage ⁵	11.81	14.19
19	072173	Washer, 5/16 in. SS flat	1.95	2.34
20	174882	Knob (fits clamp w/ removable bolt only)	38.77	46.59
20	175025	Knob (fits clamp w/ captured t-bolt only)	38.77	46.59
21	355330	O-ring, strainer pot flange	1.95	2.34
22	354265	Screw, 5/16 in., 18 x 3/4 in. SS hex wsh. hd., 4 req.	2.36	2.84
23	357161Z	Plug, 1/4 in. drain	CALL	CALL
24	192115Z	O-ring, drain plug	2.86	3.44
25	355300	Pot strainer	161.16	193.65
26	355318Z	Basket, plastic strainer (all except 3F)	CALL	CALL
26	355441	Basket, SS strainer (3F only)	208.34	250.34
27	350013Z	O-ring, lid	CALL	CALL
28	355301	Lid, strainer pot	70.95	85.25
28	354112	Lid, strainer pot chemical resistant	70.95	85.25
29	552377	Bushing, reducer 1/2F, 3/4F, 3/4A, 1A	15.77	18.95

POWER END ASSEMBLIES (INCLUDES ITEMS 1-6, 9, 10, 12 AND 13)				
	355670	CH-N1-1/2F, 3/4A std. power end 115/208-230	CALL	CALL
	355671	CH-N1-3/4F, 1A std. power end 115/208-230	CALL	CALL
	355672	CH-N1-1F, 1-1/2A std. power end 115/208-230	CALL	CALL
	355669	CH-N1-11/2F, 2A std. power end 115/208-230	CALL	CALL
	355674	CH-N1-1FE, 1-1/2AE power end 115/208-230	CALL	CALL
	355675	CH-N1-1-1/2FE, 2AE power end 208-230	CALL	CALL
	355676	CH-N1-2FE, 2-1/2AE power end 208-230 ¹	CALL	CALL
	355677	CH-N1-3FE, 1 ph power end 208-230	CALL	CALL
	355679	CH-N2-3/4F, 1A 2 sp. std. power end 115 only	CALL	CALL
	355680	CH-N2-1F, 1-1/2A 2 sp. std. power end 230 only	CALL	CALL
	355681	CH-N2-1-1/2F, 2A 2 sp. std. power end 230 only	CALL	CALL
	355682	CH-N2-2F, 2-1/2A 2 sp. std. power end 230 only	CALL	CALL

Item	Part No.	Description	US List	Can. List
NOT SHOWN				
	355302	Housing booster pump	226.19	271.79
	355309	Union Kit	120.80	145.15
	357391	Pot Assembly, Black with SS basket (3F Only) Includes items 23-28	759.97	913.18
	359507	Pot Assembly, Black with plastic bracket (all models except 3F and 5F) Includes items 23-28.	284.45	341.80
	356199	Challenger Quick Kit (includes 4, 13, 14, 21, 27, 16, 24)	CALL	CALL
	401014Z	Motor End Cap and Screw	28.65	34.43
	357924Z	Fan Guard Kit TEFC/Super-Duty	CALL	CALL

¹ Used on 2F, 2-1/2A pumps built after 10-1-92.

² Used on 2F, 2-1/2A pumps built prior to 10-1-92. Must replace w/ both diffuser 355545 & impeller 355604.

³ Pump base, (item 11) includes dual radius motor support adapter (item 11B), which fits both 5-5/8 in. & 6-1/2 in. dia. motors.

⁴ Item 11A motor support is a replacement part that fits only older style pump bases with rectangular opening.

⁵ Carriage bolt (item 18) fits prev. style clamp band assembly (item 7).

Note: Challenger booster pumps consist of items 1-20.

Note: Challenger pool pumps consist of all items except item 15.

Note: Pumps and replacement motors that are single speed and one (1) Total HP or greater cannot be sold, offered for sale, or installed in a residential pool for filtration use in California, Title 20 CCR sections 1601-1609.

Product on pages 184-185.

Replacement baskets on page 148.

CALIFORNIA PROPOSITION 65 WARNING

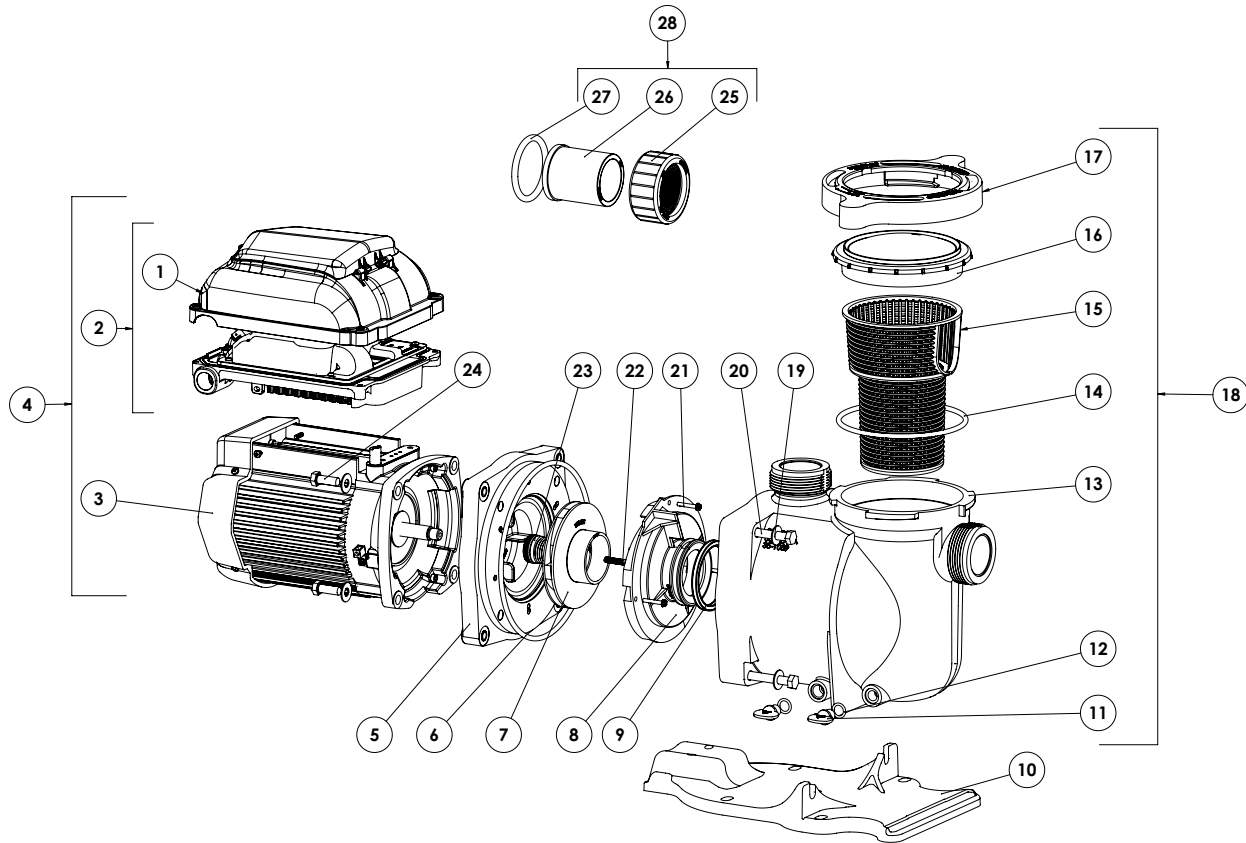
▲ **WARNING:** Cancer and Reproductive Harm.
▲ **AVERTISSEMENT:** Peut Causer le Cancer et des Dommages au Système Reproducteur.
▲ **ADVERTENCIA:** Cáncer y Daño Reproductivo.

www.p65warnings.ca.gov. PK38074

SUPERFLO® VS/VST VARIABLE SPEED PUMP- AFTER OCTOBER 2020

SUPERMAX® VS VARIABLE SPEED PUMP- AFTER OCTOBER 2020

REPLACEMENT PARTS



SUPERFLO® VS/VST VARIABLE SPEED PUMP- AFTER OCTOBER 2020

SUPERMAX® VS VARIABLE SPEED PUMP- AFTER OCTOBER 2020

REPLACEMENT PARTS

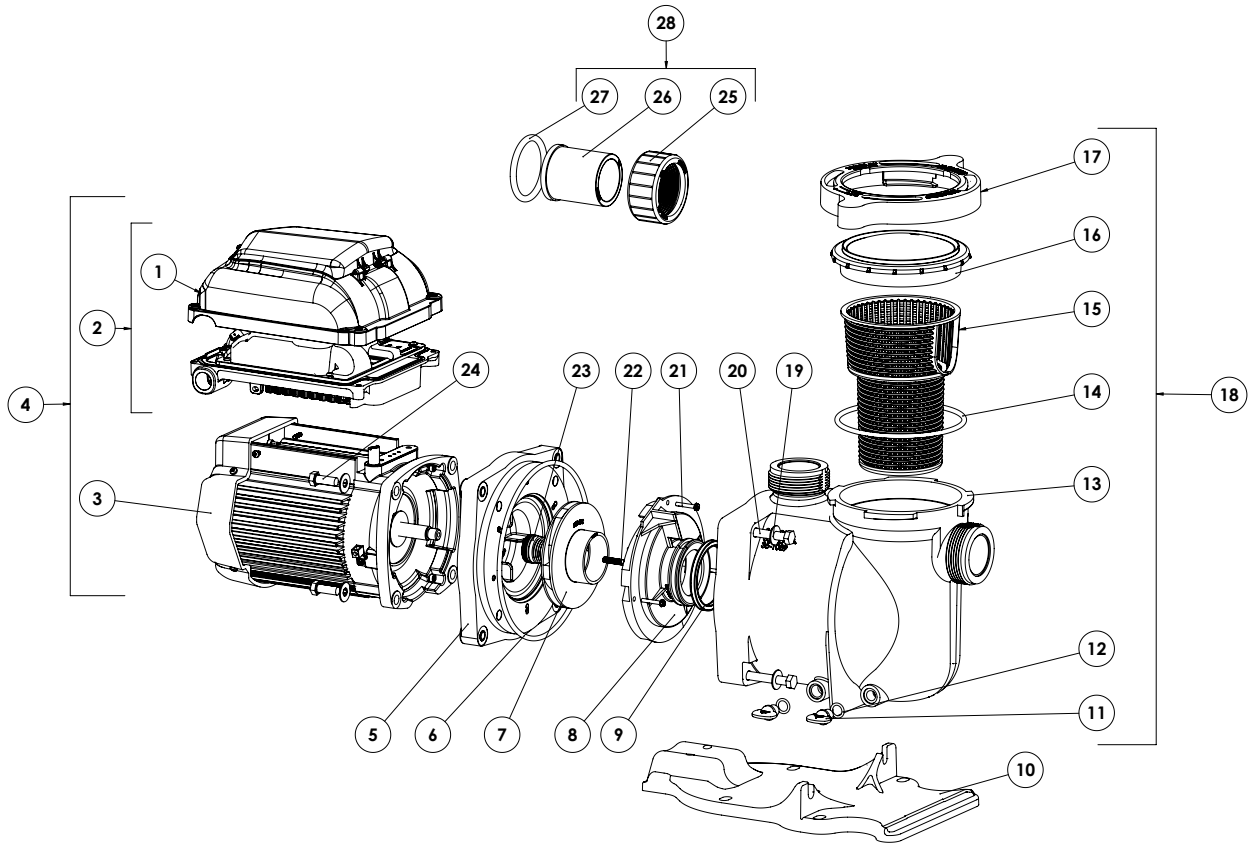
Item	Part No.	Description	US List	Can. List
SUPERFLO VS/VST & SUPERMAX VS VARIABLE SPEED PUMPS				
1	353123	Drive Cover, Almond	336.21	403.99
1	356279	Drive Cover (RS-485), Almond	CALL	CALL
1	356280	Drive Cover (RS-485), Black	CALL	CALL
2	353127	Drive Kit, Almond	924.55	1110.94
2	356282	Drive Kit , (RS-485), Almond	CALL	CALL
2	356283	Drive Kit, (RS-485), Black	CALL	CALL
3	356284	Motor, Almond	CALL	CALL
3	356285	Motor, Black	CALL	CALL
3	356286S	Motor TEFC, Almond	CALL	CALL
3	356287S	Motor TEFC, Black	CALL	CALL
4	356288S	Motor/Drive Assembly, Almond	CALL	CALL
4	356289S	Motor/Drive Assembly (RS-485), Almond	CALL	CALL
4	356290S	Motor/Drive Assembly (RS-485), Black	CALL	CALL
5	356071	Sealplate ⁴ Almond	CALL	CALL
5	356072	Sealplate, Black	CALL	CALL
6	355619Z	Sealplate Gasket	12.24	14.71
7	C105-238PDCA	Impeller	91.15	109.53
8	355949	Diffuser	CALL	CALL
9	355331Z	Diffuser Seal	3.56	4.28
10	350094	Base, Almond	108.93	130.89
10	351094	Base, Black	108.95	130.91
11	071131Z	Drain Plug, Almond (2 req.)	CALL	CALL
11	357161Z	Drain Plug, Black (Qty. 2)	5.71	6.86
12	192115Z	O-Ring Drain Plug (Qty. 2)	2.86	3.44
13	350089	Strainer Pot, Almond	332.95	400.07
13	351089	Strainer Pot, Black	309.69	372.12
14	357255Z	Lid O-Ring	6.24	7.50
15	355667	Strainer Basket	24.63	29.60
16	350091	Lid	36.77	44.18
17	350090	Locking Ring, Almond	45.81	55.05
17	351090	Locking Ring, Black	45.82	55.06
18	353010	Strainer Pot Assembly, Almond (Includes Items 11-17)	457.33	549.53
18	353110	Strainer Pot Assembly, Black (Includes Items 11-17)	426.81	512.85
19	072184	Washer 3/8 In. SS, (Qty. 4)	1.74	2.09
20	355621	Bolt, Hex 3/8-16 X 2 1/4, (Qty. 4)	5.66	6.80
21	355334Z	Diffuser Screw (Qty. 3)	3.56	4.28
22	355389	Impeller Screw	1.74	2.09
23	17351-0101S	Shaft Seal	29.52	35.47
24	354290	Bolt, Hex, 3/8-16 (Qty. 4)	CALL	CALL
25	350093	Union Adapter, (Qty. 2)	20.58	24.73
26	6020018	Union Adapter O-ring (Qty. 2)	0.39	0.47
27	270141	Union Nut, Black (Qty. 2)	22.05	26.50
28	351157	SuperFlo/SuperMax Union Kit (includes items 25-27) (Qty 2)	95.77	115.08
*	356324Z	RS-485 Automation Wiring Kit, 25 ft.	CALL	CALL
*	357923Z	Motor Fan Guard Kit, TEFC Super-Duty, Almond	CALL	CALL
*	357924Z	Motor Fan Guard Kit, TEFC Super-Duty, Black	CALL	CALL

* Not Shown

SUPERFLO® VS/VST VARIABLE SPEED PUMP- BEFORE NOVEMBER 2020

SUPERMAX® VS VARIABLE SPEED PUMP- BEFORE NOVEMBER 2020

REPLACEMENT PARTS



SUPERFLO® VS/VST VARIABLE SPEED PUMP- BEFORE NOVEMBER 2020

SUPERMAX® VS VARIABLE SPEED PUMP- BEFORE NOVEMBER 2020

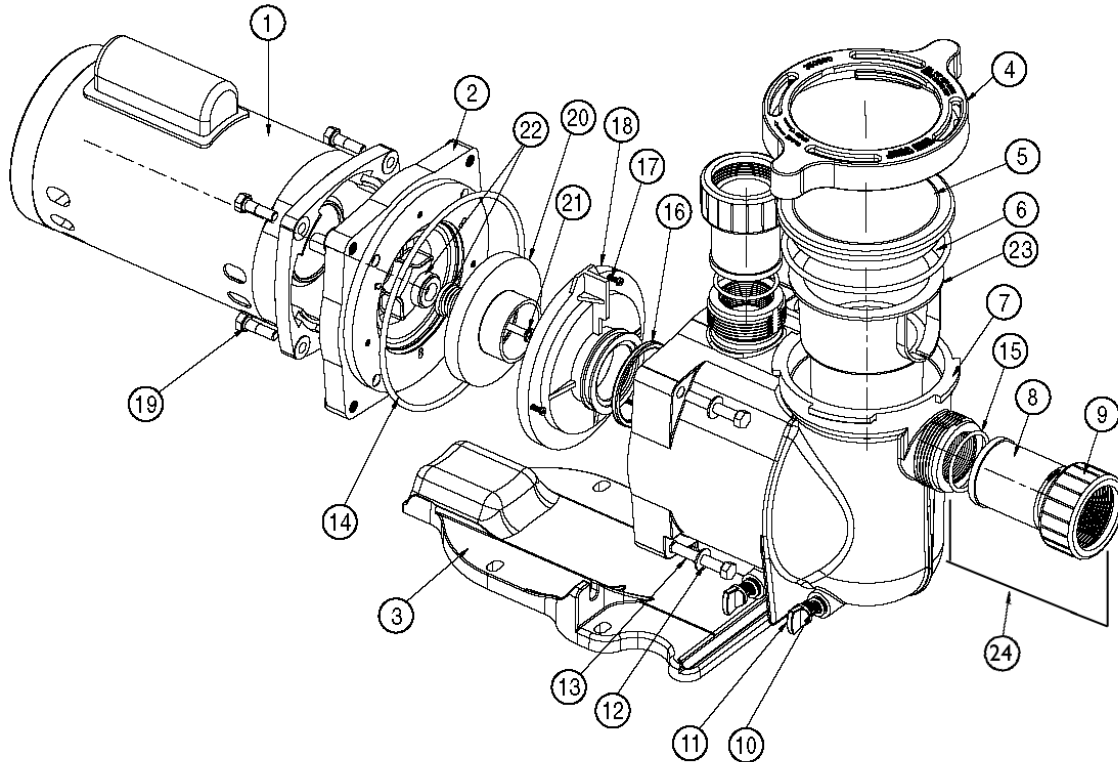
REPLACEMENT PARTS

Item	Part No.	Description	US List	Can. List
SUPERFLO VS/VST & SUPERMAX VS VARIABLE SPEED PUMPS				
1	353123	Drive Cover, Almond	336.21	403.99
1	353124	Drive Cover, Black	336.21	403.99
2	353127	Drive Kit, Almond	924.55	1110.94
2	353128	Drive Kit, Black	924.55	1110.94
3	353134S	Motor, Almond	621.97	747.36
3	353135S	Motor, Black	621.97	747.36
4	353132S	Motor/Drive Assembly, Almond	CALL	CALL
4	353133S	Motor/Drive Assembly, Black	CALL	CALL
5	356012	Sealplate, Almond (Mfg. Before 06/17/19)	98.63	118.51
5	355612	Sealplate, Black (Mfg. Before 06/17/19)	98.63	118.51
5	356071	Sealplate, Almond (Mfg. After 06/17/19)	CALL	CALL
5	356072	Sealplate, Black (Mfg. After 06/17/19)	CALL	CALL
6	355619Z	Sealplate Gasket	12.24	14.71
7	355074	Impeller (Mfg. Before 06/17/19)	63.57	76.39
7	C105-238PDCA	Impeller (Mfg. After 06/17/19)	91.15	109.53
8	355618	Diffuser (Mfg. Before 06/17/19)	108.65	130.55
8	355949	Diffuser (Mfg. After 06/17/19)	CALL	CALL
9	355030Z	Diffuser Seal (Mfg. Before 06/17/19)	10.61	12.75
9	355331Z	Diffuser Seal (Mfg. After 06/17/19)	3.56	4.28
10	350094	Base, Almond	108.93	130.89
10	351094	Base, Black	108.95	130.91
11	071131Z	Drain Plug, Almond (2 req.)	CALL	CALL
11	357161Z	Drain Plug, Black (2 req.)	5.71	6.86
12	192115Z	O-Ring Drain Plug (Qty. 2)	2.86	3.44
13	350089	Strainer Pot, Almond	332.95	400.07
13	351089	Strainer Pot, Black	309.69	372.12
14	357255Z	Lid O-Ring	6.24	7.50
15	355667	Strainer Basket	24.63	29.60
16	350091	Lid	36.77	44.18
17	350090	Locking Ring, Almond	45.81	55.05
17	351090	Locking Ring, Black	45.82	55.06
18	353010	Strainer Pot Assembly, Almond (Includes Items 11-17)	457.33	549.53
18	353110	Strainer Pot Assembly, Black (Includes Items 11-17)	426.81	512.85
19	072184	Washer 3/8 In. SS, (Qty. 4)	1.74	2.09
20	355621	Bolt, Hex 3/8-16 X 2 1/4, (Qty. 4)	5.66	6.80
21	355334Z	Diffuser Screw (Qty. 3)	3.56	4.28
22	355389	Impeller Screw	1.74	2.09
23	354545S	Shaft Seal (Mfg. Before 06/17/19)	32.40	38.93
23	17351-0101S	Shaft Seal (Mfg. After 06/17/19)	29.52	35.47
24	354290	Bolt, Hex, 3/8-16 (Qty. 4)	CALL	CALL
25	350093	Union Adapter, (Qty. 2)	20.58	24.73
26	6020018	Union Adapter O-ring (Qty. 2)	0.39	0.47
27	270141	Union Nut, Black (Qty. 2)	22.05	26.50
28	351157	SuperFlo/SuperMax Union Kit (includes items 25-27) (Qty 2)	95.77	115.08
*	353129Z	Digital Input Wiring Kit, 25 ft.	100.85	121.18
*	357923Z	Motor Fan Guard Kit, TEFC Super-Duty, Almond	CALL	CALL
*	357924Z	Motor Fan Guard Kit, TEFC Super-Duty, Black	CALL	CALL

* Not Shown

SUPERFLO® PUMP

REPLACEMENT PARTS



Item	Part No.	Description	US List	Can. List
SINGLE SPEED SUPERFLO MOTORS				
1	354803S	3/4 HP Motor, 1SP, 1PH, TEFC 115/208-230	CALL	CALL
1	354821S	1 HP Motor, 1SP, 1PH, TEFC 115/208-230	CALL	CALL
1	354823S	1-1/2 HP Motor, 1SP, 1PH, TEFC 208-230	CALL	CALL
1	354815S	2 HP Motor, 1SP, 1PH, TEFC 208-230	CALL	CALL
1	355018S	1/2 HP Motor SQFL, 1 Speed, 1 phase, 115/208-230, 60 Hz, almond	CALL	CALL
1	355018S	3/4 HP Motor SQFL, 1 Speed, 1 phase, 115/208-230, 60 Hz, almond	CALL	CALL
1	355020S	1 HP Motor SQFL, 1 Speed, 1 phase, 115/208-230, 60 Hz, almond	CALL	CALL
1	355022S	1-1.2 HP Motor SQFL, 1 Speed, 1 phase, 115/208-230, 60 Hz, almond	CALL	CALL
1	355024S	2 HP Motor SQFL, 1 Speed, 1 phase, 115/208-230, 60 Hz, almond	CALL	CALL
1	355026S	2-1/2 HP Motor SQFL, 1 Speed, 1 phase, 208-230, 60 Hz, almond	CALL	CALL

Item	Part No.	Description	US List	Can. List
2 SPEED SUPERFLO MOTORS				
1	355003S	1 HP Motor SQFL, 2 Speed, 1 phase, 60 Hz	CALL	CALL
1	356630S	1-1/2 HP Motor SQFL, 2 Speed, 1 phase, 60 Hz	CALL	CALL
1	071320S	2 HP Motor SQFL, 2 Speed, 1 phase, 60 Hz	CALL	CALL
ENERGY EFFICIENT SUPERFLO MOTORS				
1	355008S	1/2 HP Motor SQFL, 1 Speed, 1 phase, 60 Hz, 115/208-230, almond	CALL	CALL
1	355008S	3/4 HP Motor SQFL, 1 Speed, 1 phase, 60 Hz, 115/208-230, almond	CALL	CALL
1	355008S	1 HP Motor SQFL, 1 Speed, 1 phase, 60 Hz, 115/208-230, almond	CALL	CALL
1	355010S	1.5 HP Motor SQFL, 1 Speed, 1 phase, 60 Hz, 115/208-230, almond	CALL	CALL
1	355012S	2 HP Motor SQFL, 1 Speed, 1 phase, 60 Hz, 208-230, almond	CALL	CALL
1	355014S	2.5 HP Motor SQFL, 1 Speed, 1 phase, 60 Hz, 208-230, almond	CALL	CALL

CALIFORNIA PROPOSITION 65 WARNING
 ⚠️ **WARNING:** Cancer and Reproductive Harm.
 ⚠️ **AVERTISSEMENT:** Peut Causer le Cancer et des Dommages au Système Reproducteur.
 ⚠️ **ADVERTENCIA:** Cáncer y Daño Reproductivo.
www.p65warnings.ca.gov

Note: Pumps and replacement motors that are single speed and one (1) Total HP or greater cannot be sold, offered for sale, or installed in a residential pool filtration use in California, Title 20 CCR sections 1601-1609.

SUPERFLO® PUMP (CONT'D)

REPLACEMENT PARTS

Item	Part No.	Description	US List	Can. List
SUPERFLO PUMPS				
2	356012	Seal plate	98.63	118.51
3	350094	Base	108.93	130.89
4	350090	Clamp, Cam & Ramp®	45.81	55.05
5	350091	Lid	36.77	44.18
6	357255Z	O-ring, lid No. 2-357	6.24	7.50
7	350089	Volute	332.95	400.07
8	350093	Adaptor, 2 req.	20.58	24.73
9	270141	Nut, 2 req.	22.05	26.50
10	192115Z	O-ring drain plug, 2 req.	2.86	3.44
11	071131Z	Drain plug, (2 req.)	6.96	8.36
12	355621	Screw, 3/4-16 x 2-1/4 Hex hd, 4 req.	5.66	6.80
13	072184	Washer, 3/8 in. SS, 4 req.	1.74	2.09
14	355619Z	O-ring, 1 req.	12.24	14.71
15	6020018	O-ring adaptor No.2-226, 2 req.	0.39	0.47
16	355030Z	Seal diffuser	10.61	12.75
17	355334Z	Screw, No.8-32 hex washer HD, 3 req.	3.56	4.28
22	354545S	Seal set	32.40	38.93
	356210S	Seal, mechanical, ozone/salt resistant	CALL	CALL
23	355667	Basket large	24.63	29.60
SUPERFLO DIFFUSERS				
18	355617	Diffuser, 1/2 HP	108.65	130.55
18	355617	Diffuser, 3/4 HP	108.65	130.55
18	355617	Diffuser, 1 HP	108.65	130.55
18	355618	Diffuser, 1-1/2 HP	108.65	130.55
18	355618	Diffuser, 2 HP	108.65	130.55
18	350170	Diffuser, 2-1/2 HP	107.00	128.57
19	U30-74SS	Hex head screw, 3/8, 16, 4 req.	4.96	5.96

Item	Part No.	Description	US List	Can. List
SUPERFLO IMPELLERS				
20	355043	Impeller 1/2 HP	61.61	74.03
20	355043	Impeller 3/4 HP	61.61	74.03
20	355067	Impeller 1 HP	62.83	75.50
20	355074	Impeller 1-1/2 HP	63.57	76.39
20	355086	Impeller 2 HP	64.02	76.93
20	355093	Impeller 2-1/2 HP	65.18	78.32
21	355389	Screw, impeller locking	1.69	2.03
KITS				
24	351157	SuperFlo/SuperMax Union Kit, items 8, 9 & 15 (2 of each included)	95.77	115.08
NOT SHOWN				
	79129900	2-Speed Toggle Switch	55.25	66.39
	400013Z	Motor End Cap and Screw	29.42	35.35
	357923Z	Fan Guard Kit TEFC/Super-Duty	CALL	CALL
	356199	SuperFlo Quick Kit (includes 22, 14, 10(x2), 16, 6)	41.33	49.66

CALIFORNIA PROPOSITION 65 WARNING

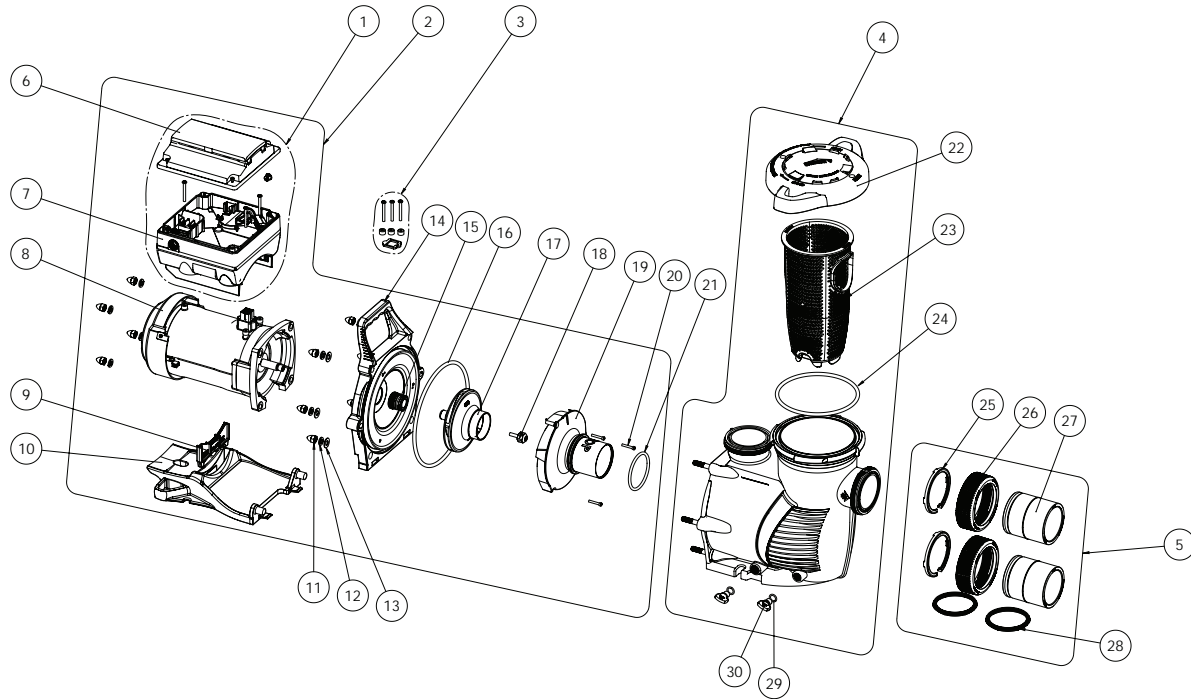
⚠ **WARNING:** Cancer and Reproductive Harm.
 ⚠ **AVERTISSEMENT:** Peut Causer le Cancer et des Dommages au Système Reproducteur.
 ⚠ **ADVERTENCIA:** Cáncer y Daño Reproductivo.

www.p65warnings.ca.gov

PK 20071A

INTELLIPROXF® VSF PUMP INTELLIPROXF VS PUMP - AFTER AUGUST 2015

REPLACEMENT PARTS



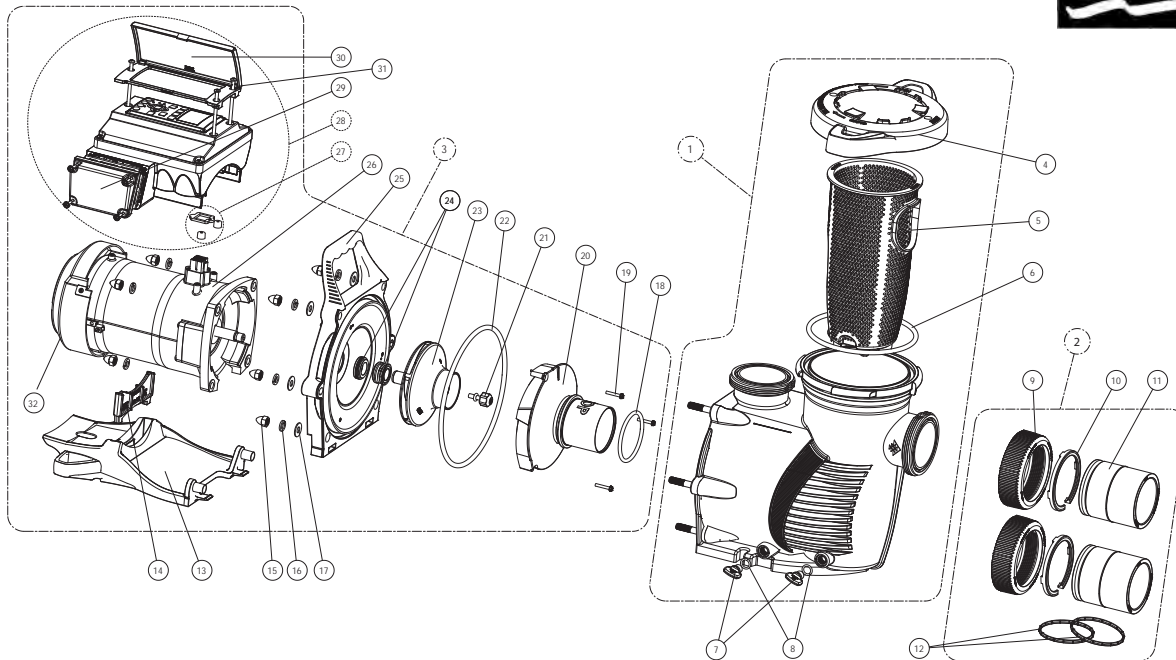
Item	Part No.	Description	US List	Can. List
INTELLIPROXF/INTELLIFLOXF VS PUMP				
1	352032Z	Drive Kit (VSF model)	CALL	CALL
1	356893Z	Drive Kit (VS model)	CALL	CALL
2	401655Z	Power End Kit (VS model)	2919.26	3507.78
3	355685	Drive Hardware Kit	122.38	147.05
4	401000	Wet End Assembly	355.70	427.41
5	410020	Union Kit w/o Tap	162.05	194.72
6	358527Z	Keypad Assembly Kit	386.61	464.55
7	356898Z	Drive (VSF model)	CALL	CALL
7	356892Z	Drive (VS model)	CALL	CALL
8	350306S	Motor	CALL	CALL
9	357160	Motor Support Insert	21.78	26.17
10	401004Z	Motor Base	43.41	52.16
11	071413	Acorn Nut (Qty. 10)	1.38	1.66
12	U43-12SS	Lock Washer (Qty. 10)	3.00	3.60
13	072184	Flat Washer (Qty. 6)	1.74	2.09
14	401002	Seal Plate	235.08	282.47
15	17351-0101S	Mechanical Seal	29.52	35.47
16	351446	Seal Plate O-Ring	7.06	8.48
17	400015Z	Impeller Assembly (includes screw and washer)	143.27	172.15
18	37337-6080	Impeller Screw, Plastic-Head (pumps mfg. before 10/7/2019)	21.79	26.18
18	356073	Impeller Screw, Metal-Head (pumps mfg. after 10/7/2019)	CALL	CALL
19	400010	Diffuser	102.87	123.61

20	353323	Diffuser Screws	3.70	4.45
21	350336	Diffuser O-Ring	3.70	4.45
22	401006	Lid/Locking Ring Assembly	62.59	75.21
23	400007Z	Strainer Basket	39.14	47.03
24	35505-1440	Lid/Locking Ring O-Ring	20.99	25.22
25	410001	2.5" C-Clip Locking Ring (Qty. 2)	7.93	9.53
26	411000	2.5" Union Nut (Qty. 2)	21.77	26.16
27	410002	2.5" Union Adapter w/o Tap (Qty. 2)	37.55	45.12
28	410016Z	2.5" Diamond Seal Kit (Qty. 2)	13.40	16.10
29	192115Z	Drain Plug O-Ring (Qty. 2)	2.86	3.44
30	357161Z	Drain Plug (Qty. 2)	5.71	6.86
NOT SHOWN				
	356905Z	Keypad Relocation Kit	84.03	100.97
	400032Z	Seal Plate w/Mech Seal	227.67	273.57
	350122	50 Ft. Communication Cable	191.51	230.12
	352501	Motor Fan Kit	196.52	236.14
	072172	Impeller Screw Washer	0.28	0.34

CALIFORNIA PROPOSITION 65 WARNING
⚠️ WARNING: Cancer and Reproductive Harm.
⚠️ AVERTISSEMENT: Peut Causer le Cancer et des Dommages au Système Reproducteur.
⚠️ ADVERTENCIA: Cáncer y Daño Reproductivo.
www.p65warnings.ca.gov

INTELLIPROXF® VARIABLE SPEED PUMP - BEFORE AUGUST 2015

REPLACEMENT PARTS



Item	Part No.	Description	US List	Can. List
INTELLIPRO XF PUMP				
1	401000	Wet End Assembly	355.70	427.41
2	410020	Union Kit Without Tap	162.05	194.72
3	401605Z	Power End Assy w/ Drive & Motor	CALL	CALL
4	401006	Lid/Locking Ring Assy	62.59	75.21
5	400007Z	XF Series Replacement Basket	39.14	47.03
6	35505-1440	Lid/Locking Ring O-Ring	20.99	25.22
7	357161Z	Drain Plug (2 req.)	5.71	6.86
8	192115Z	Drain Plug O-ring (2 req.)	2.86	3.44
9	411000	2.5 in. Union Nut	21.77	26.16
10	410001	2.5 in. C-Clip Locking Ring	7.93	9.53
11	410002	2.5 in. Union Adapter	37.55	45.12
12	410016Z	2.5 in. Diamond Seal Kit - (Includes two)	13.40	16.10
13	401004Z	Motor Base	43.41	52.16
14	357160	Motor Support Insert- Black	21.78	26.17
15	071413	Acorn Nut (each)	1.38	1.66
16	U43-12SS	Split Lock Washer (each)	3.00	3.60
17	072184	Flat Washer (each)	1.74	2.09
18	350336	Diffuser O-ring	3.70	4.45
19	353323	Diffuser Screw	3.70	4.45
20	400010	Diffuser	102.87	123.61
21	37337-6080	Impeller, Plastic-Head (pumps mfg. before 10/07/19)	21.79	26.18
	356073	Impeller Screw, Metal-Head (pumps mfg. after 10/7/2019)	CALL	CALL

Item	Part No.	Description	US List	Can. List
22	351446	Seal Plate O-Ring	7.06	8.48
23	400015Z	Impeller Assembly (includes screw and washer)	143.27	172.15
24	17351-0101S	Mechanical Seal Assembly	29.52	35.47
25	401002	Seal Plate	235.08	282.47
26	357294S	Motor Kit	CALL	CALL
27	350612	Drive Hardware and Gasket Kit (Incl. item # 31)	122.38	147.05
28	353252	Variable Speed Drive Assy Kit	CALL	CALL
29	353310	Field Wiring Comp Kit w/ Gasket	108.69	130.60
30	350701	Control Cover Assy Kit (incl. item #27) ¹	245.17	294.60
30	401100	Control Cover Assy Kit (incl. item #27) ²	245.17	294.60
31	350107	Screw 10-24 x 3-1/4 in. PH MS 18-8SS (Qty. 3)	4.74	5.70
32	352501	Motor Fan Kit (contains Fan, Shroud, Hardware)	196.52	236.14
NOT SHOWN				
	400032Z	Seal Plate Kit w/ Mech Seal	227.67	273.57
	400012	Riser Plate XF to Challenger	75.10	90.24
	350122	50 Ft. Communication Cable	191.51	230.12
	072172	Impeller Screw Washer	0.28	0.34

¹ Used on pumps manufactured before 7/2/13

² Used on pumps manufactured after 7/2/13 to present

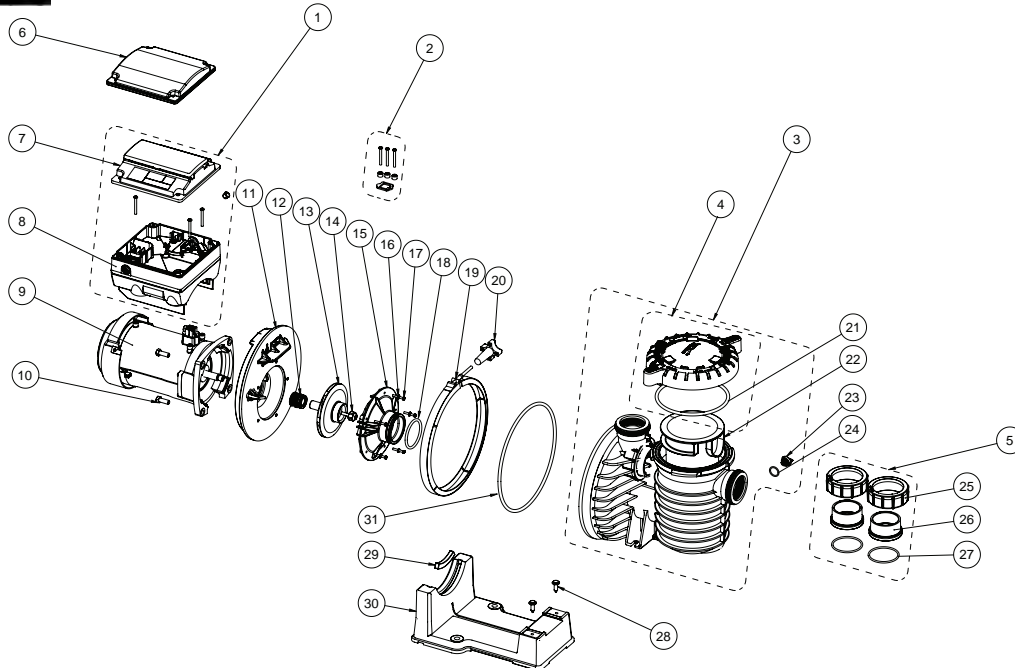
CALIFORNIA PROPOSITION 65 WARNING

⚠ **WARNING:** Cancer and Reproductive Harm.
 ⚠ **AVERTISSEMENT:** Peut Causer le Cancer et des Dommages au Système Reproducteur.
 ⚠ **ADVERTENCIA:** Cáncer y Daño Reproductivo.
www.p65warnings.ca.gov

INTELLIPRO® VSF PUMP/INTELLIPRO 2 VST PUMP INTELLIPRO VS PUMP - AFTER 2018



REPLACEMENT PARTS



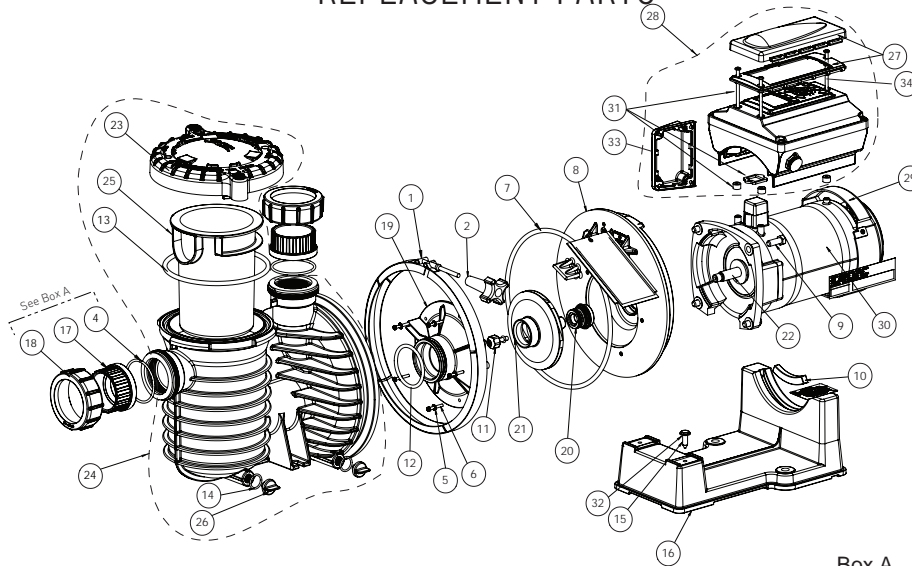
Item	Part No.	Description	US List	Can. List
INTELLIPRO PUMP				
1	353141Z	Drive Kit w/Keypad (Includes Item #2, 7 and 8) (VSF model)	CALL	CALL
1	356893Z	Drive Kit w/Keypad (Includes Item #2, 7 and 8) (2VST and VS models)	CALL	CALL
2	355685	Drive Kit Hardware Kit (Includes Drive Screws, Drive Gasket and Screw Caps)	122.38	147.05
3	17307-0110S	Tank Body Assembly (Includes Trap Cover and Items #21-24)	351.14	421.93
4	17307-0111S	Trap Cover Assembly (Includes Trap Cover and Item #21)	79.41	95.42
5	42001-0402	2" Slip Union Half Kit (Includes Items #25-27)	43.97	52.83
6	356905Z	Keypad Relocation Kit (Includes Keypad Relocation Cable and Blank Drive Cover)	84.03	100.97
7	358527Z	Keypad Assembly Kit	386.61	464.55
8	356657Z	Drive (VSF model)	CALL	CALL
8	356892Z	Drive (2VST and VS models)	CALL	CALL
9	350306S	Motor 3.2 KW Ferrite Blk	CALL	CALL
10	070429Z	Bolt, 3/8-16 X 7/8 SS Hex Head 18-8, 4 req.	CALL	CALL
11	C103-194P	Seal Plate	80.49	96.72
12	17351-0101S	Shaft Seal, EPDM black	29.52	35.47
13	C105-238PLA	Impeller Assembly	94.74	113.84
14	37337-6080	Impeller Screw	21.79	26.18
15	C1-271P	Diffuser	34.86	41.89
16	U43-21SS	#8 Ext Tooth Washer (Qty. 5)	1.92	2.31
17	U30-922SS	Diffuser Screw	1.21	1.45

Item	Part No.	Description	US List	Can. List
18	U9-374Z	Diffuser O-Ring	6.19	7.44
18	357098Z	Diffuser O-Ring (Blue Coating)	6.51	7.82
19	C19-37A	V-Clamp	117.88	141.64
20	WC36-22	Clamp, Knob	14.48	17.40
21	35505-1440	Trap O-Ring, 6.90 O.D. 6.35 I.D.	20.99	25.22
22	C8-58PZ	Trap Basket	15.58	18.72
23	U78-920P	Drain Plug (Qty. 2)	2.24	2.69
24	U9-359	Drain Plug O-Ring (Qty. 2)	0.85	1.02
25	U11-200PSZ	Union Collar (Qty. 2)	12.29	14.77
26	U11-196PSZ	2" Slip Adapter (Qty. 2)	10.16	12.21
27	U9-362	O-Ring #2-231 (Qty. 2)	5.56	6.68
28	U30-918SS	Base Screw, 5/16-14 x 1 in. Lg.Hi-Lo Hex (Qty2)	5.58	6.70
29	C35-11	Motor Pad	3.64	4.37
30	C4-78P	Motor Base	51.30	61.64
31	U9-228AZ	Seal Plate O-Ring (Round)	11.04	13.27
31	357099Z	Seal Plate O-Ring (Square)	11.59	13.93
NOT SHOWN				
	350122	50 Ft. Communication Cable	191.51	230.12
	354045	Power End - IntelliPro 2 VST and VS	2703.58	3248.62
	352501	Motor Fan Kit	196.52	236.14
	356196	Max-E-Pro / IntelliPro Quick Kit (contains 31, 12, 18, 21, 24(x2))	34.03	40.89

CALIFORNIA PROPOSITION 65 WARNING
 ⚠️ WARNING: Cancer and Reproductive Harm.
 ⚠️ AVERTISSEMENT: Peut Causer le Cancer et des Dommages au Système Reproducteur.
 ⚠️ ADVERTENCIA: Cáncer y Daño Reproductivo.
www.p65warnings.ca.gov PN201714

INTELLIPRO® VARIABLE SPEED PUMP-BEFORE 2019

REPLACEMENT PARTS



CALIFORNIA PROPOSITION 65 WARNING

⚠ **WARNING:** Cancer and Reproductive Harm.
 ⚠ **AVERTISSEMENT:** Peut Causer le Cancer et des Dommages au Système Reproducteur.
 ⚠ **ADVERTENCIA:** Cáncer y Daño Reproductivo.
www.p65warnings.ca.gov PHS 201214

Box A

For quick disconnect pipe connections, purchase separately:
 PKG 188Z 2 in. Slip 1/2 Union Kit or
 Pkg. 189 2 in. NPT 1/2 Union Kit.

Includes 2 each:
 U11-200P Union Collar
 U9-362 O-Ring
 U11-196P 2 in. Slip adapter or U11-199P 2 in. NPT adapter.

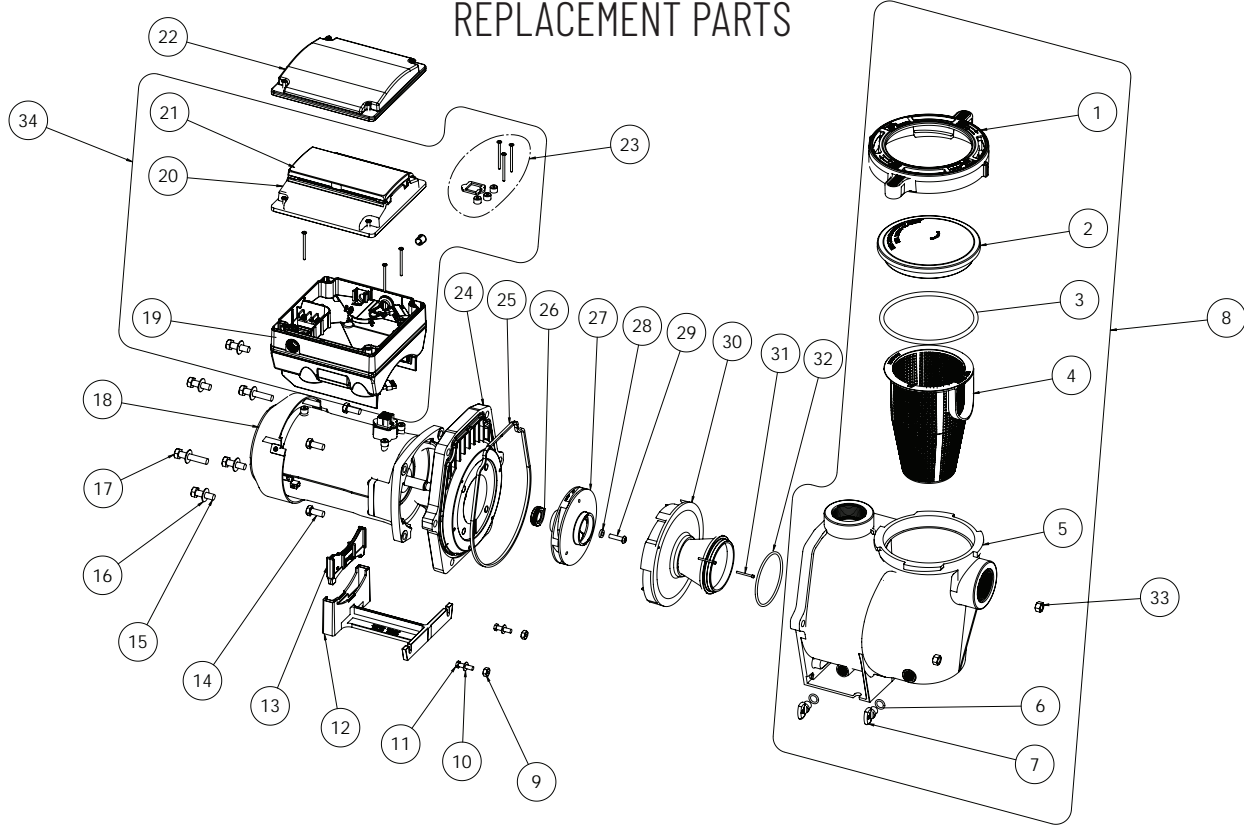
Item	Part No.	Description	US List	Can. List
INTELLIPRO VARIABLE SPEED PUMP				
1	C19-37A	V-Clamp	117.88	141.64
2	WC36-22	Clamp, Knob	14.48	17.40
3	350122	Cable 50ft 2 COND, IntelliFlo to IntelliTouch (Not Shown).	191.51	230.12
4	U9- 362	Orng #2- 231 buna N 70 DU	CALL	CALL
5	U43- 21SS	#8 Ext Tooth Wshr, 5 req.	CALL	CALL
6	U30- 922SS	Mach SCR HX HD 8- 32, 5 req.	CALL	CALL
7	U9-228AZ	Seal Plate O-Ring, (Round) 1 req.	11.04	13.27
7	357099Z	Seal Plate O-Ring, (Square) 1 req.	11.59	13.93
8	C103- 194P	Sealplate.	CALL	CALL
9	U30- 74SS	3/8-16 x 1 in. HX HD SS	CALL	CALL
10	C35- 11	Motor Pad	CALL	CALL
11	37337- 6080	Impeller Screw	CALL	CALL
12	U9-374Z	Diffuser O-Ring	6.19	7.44
12	357098Z	Diffuser O-Ring (Blue Coating)	6.51	7.82
13	35505-1440	O-Ring 6.90 O. D 6.35 I. D	20.99	25.22
14	U9- 359	ORNG #2 - 112 N674- 70 Drain Plug	CALL	CALL
15	U30-918SS	SCR 5/16-14 x 1 in. LG HI-LO Hex	5.58	6.70
16	C4-78P	Base	51.30	61.64
17	U11-196PSZ	Adaptor Union 2 in. Slip	10.16	12.21
18	U11-200PSZ	Collar Union 2 in.	12.29	14.77
19	C1-271P	Diffuser	34.86	41.89
20	17351-0101S ³	Shaft Seal, EPDM black	CALL	CALL
21	C105-238PLA	Imp. Assy. 3 Phase	94.74	113.84
22	17351-0009	Slinger. Pump Shaft 1/16 in.	2.13	2.56

Item	Part No.	Description	US List	Can. List
23	17307-0111S	Trap Cover Assy. (Contains: Trap Cover, Trap Ring and Cover O- Ring)	79.41	95.42
24	17307-0110S	Tank Body Assy. Max- E- Pro Pump SVC 18 (Trap Body, Basket, Drain Plugs and Trap Cover Assy.)	351.14	421.93
25	C8-58PZ	Trap Basket	15.58	18.72
26	U78-920P	Drain Plug	2.24	2.69
27	350701	Cover Control Assy. Kit, Black (Contains: Cover Assy., Hardware/Gasket Kit, Inst.)1	245.17	294.60
27	401100	Cover Control Assy. Kit, Black (Contains: Cover Assy., 3 Screws, and 3 Spacer Caps) 2	245.17	294.60
28	353252	IntelliPro Variable Speed Drive Kit - Includes Drive and Control Cover Assy., Lid, Hardware/Gasket Kit	CALL	CALL
29	352501	Fan Motor Kit (Contains: Fan Shroud, Fan, Hardware)	196.52	236.14
30	357294S	Motor VFD 3.2KW PMSW, Black	CALL	CALL
31	350612	Hardware/Gasket Kit (Contains: 3 Screws, 3 Spacer Caps, and Drive Gasket)	122.38	147.05
32	U43-41SSZ	Washer 5/16 in.	2.86	3.44
33	353310	Field Wiring Compartment Kit w/ gasket	108.69	130.60
34	350107	Screw 10-24 x 3-1/4 in PH MS 18-8 SS (qty 3)	4.74	5.70
NOT SHOWN				
	070209	Power end IntelliPro Variable Speed (Contains items 5, 6, 7, 8, 11, 19, 20, 28 & 30)	CALL	CALL
	356196	Max-E-Pro/IntelliPro Quick Kit (contains 20,7, 21, 12, 13, 14(x2))	34.03	40.89

¹ Used on pumps manufactured before 7/3/13
² Used on pumps manufactured 7/3/13 and after
³ Used on pumps manufactured 7/15/14 to present

INTELLIPRO® VS+SVRS PUMP - AFTER JUNE 2016

REPLACEMENT PARTS



Item	Part No.	Description	US List	Can. List
INTELLIPRO VS+SVRS PUMP				
1	357150	Clamp, Cam and Ramp	53.98	64.86
2	357151	See-through Lid	40.64	48.83
3	350013Z	Lid O-Ring	4.28	5.14
4	070387Z	Strainer Basket	18.94	22.76
5	357157	Volute WF	258.40	310.49
6	192115Z	O-Ring 112 for Drain Plug (Qty 2)	2.86	3.44
7	357161Z	Drain Plug WF (Qty 2)	5.71	6.86
8	357244	Volute Kit (Contains items #1-7)	540.71	649.72
9	071406	Nut 1/4-20 Hex SS (Qty 2)	1.74	2.09
10	072183	Washer, Flat 1/4" ID x 5/8" OD (Qty 2)	1.74	2.09
11	071657Z	Screw 1/4-20 x 1" Hex Cap SS, 2 req.	CALL	CALL
12	357159	Foot WF	43.41	52.16
13	357160	Foot Insert WFE Pump Motor Support	21.78	26.17
14	070429Z	Bolt, 3/8-16 X 7/8 SS Hex Head 18-8, 4 req.	CALL	CALL
15	072184	Washer, Flat 3/8" ID x 7/8 OD (Qty 6)	1.74	2.09
16	070430	Bolt, Hex Head 3/8-16 x 1.25" (Qty 4)	2.83	3.40
17	070431	Bolt, Hex Head 3/8-16 x 2" (Qty 2)	3.11	3.74
18	350306S	Motor, 3.2 kW 10 Pole	CALL	CALL
19	356912Z	Drive, Variable Speed	CALL	CALL
20	358527Z	Keypad Assembly Kit (Contains item #21)	386.61	464.55
21	401100	Keypad Cover	245.17	294.60
22	356905Z	Keypad Relocation Kit (Contains Keypad Relocation cable and Blank Drive Cover)	84.03	100.97
23	355685	Drive Hardware Kit (Contains Drive Screws, Drive Gasket and Screw Caps)	122.38	147.05

Item	Part No.	Description	US List	Can. List
24	357158	Seal Plate	105.96	127.32
25	357100Z	Seal Plate Gasket	7.30	8.77
26	071734S	Mechanical Seal	34.31	41.23
26	071732S	Mechanical Seal (ozone/salt resistant)	CALL	CALL
27	073131	Impeller (pumps mfg. before 10/2020)	113.00	135.78
27	356237	Impeller (pumps mfg. after 10/2020)	CALL	CALL
28	075713	Rubber Washer, Impeller Set Screw	1.74	2.09
29	071652Z	Impeller Set Screw 1/4-20 LH Thread	CALL	CALL
30	072928	Diffuser (pumps mfg. before 10/2020)	102.87	123.61
30	356238	Diffuser (pumps mfg. after 10/2020)	CALL	CALL
31	071660Z	Diffuser Set Screw 4-40 x 1-1/8, 2 req.	CALL	CALL
32	355227Z	Diffuser O-Ring	3.68	4.42
33	071403	Nut 3/8" Brass, Nickel Plated (Qty 2)	1.74	2.09
34	356913Z	Drive Kit (Incl. Items #19-23)	CALL	CALL

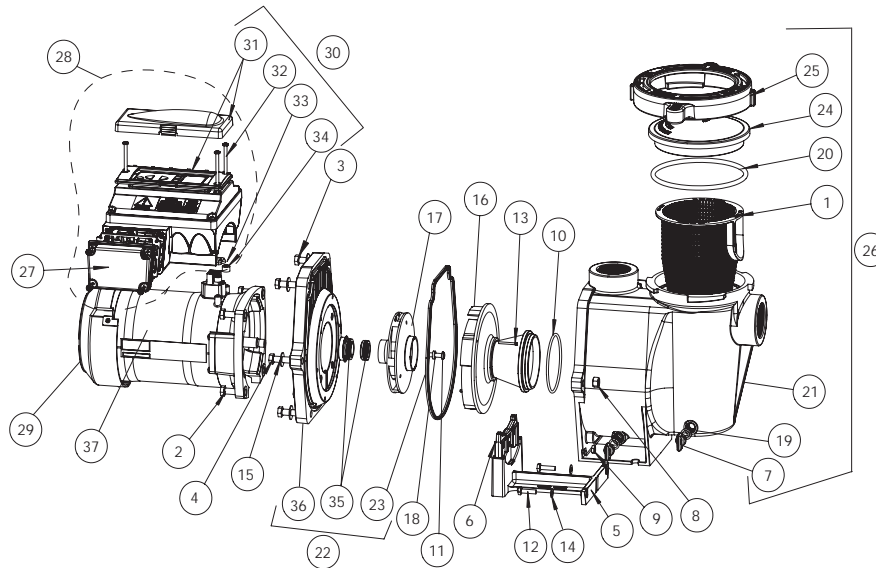
NOT SHOWN				
	350122	50 Ft. Communication Cable	191.51	230.12
	350203	Seal Plate Kit w/Mechanical Seal (Incl. Items #24, 25 and 26)	227.98	273.94
	357603	Union Kit (Incl. 2 complete unions for 1 pump - Not included with pump)	126.44	151.93
	356196	Max-E-Pro / IntelliPro Quick Kit (contains 25, 28, 32, 3, 26, 6(x2))	34.03	40.89
	350198	Seal Plate Kit (Ozone/Salt resistant)	222.66	267.55
	352501	Motor Fan Kit	196.52	236.14
	356198	WhisperFlo/IntelliFlo Quick Kit (includes 26, 32, 25, 6(x2), 3 and 28)	37.86	45.49

CALIFORNIA PROPOSITION 65 WARNING

⚠ WARNING: Cancer and Reproductive Harm.
⚠ AVERTISSEMENT: Peut Causer le Cancer et des Dommages au Système Reproducteur.
⚠ ADVERTENCIA: Cáncer y Daño Reproductivo.
www.p65warnings.ca.gov

INTELLIPRO® VS+SVRS PUMP - BEFORE JUNE 2016

REPLACEMENT PARTS



Item	Part No.	Description	US List	Can. List
INTELLIPRO VS+SVRS PUMP				
1	070387Z	Basket WF	18.94	22.76
2	070429Z	Bolt, 3/8-16 X 7/8 SS Hex Head 18-8, 4 req.	CALL	CALL
3	070430	Bolt, 3/8-16 x 1-1/4 hex cap 18-8 S/S, 4 req.	2.83	3.40
4	070431	Bolt, 3/8-16 x 2 hex cap 18-8 S/S, 2 req.	3.11	3.74
5	357159	Foot WF, pump motor support, black	43.41	52.16
6	357160	Foot insert WF pump, black	21.78	26.17
7	357161Z	Plug drain WFE, black, 2 req.	5.71	6.86
8	071403	Nut, 3/8-16 brass nickel plated, 2 req.	1.74	2.09
9	071406	Nut, 1/4-20 hex S/S, 2 req.	1.74	2.09
10	355227Z	O-ring #238, 3.484 x .139, buna N 70	3.68	4.42
11	071652Z	Screw, 1/4, 20 x 1 LH phillips pan MS 18-8 S/S, 1 req.	CALL	CALL
12	071657Z	Screw, 1/4-20 x 1 in. hex cap 18-8 S/S, 2 req.	CALL	CALL
13	071660Z	Screw set, 4-40 x 1-1/8 WFE sckt cap 18-8 S/S, 2 req.	CALL	CALL
14	072183	Washer, flat 1/4 x 5/8 20GA thick 18-8 S/S, 2 req.	1.74	2.09
15	072184	Washer, 3/8 ID x 7/8 OD .05 thick 18-8 S/S, 6 req.	1.74	2.09
16	072928	Diffuser assembly, black	102.87	123.61
17	073131	Impeller, IntelliPro VS+SVRS	113.00	135.78
18	075713	Rubber washer, WFE pump, 1 req.	1.74	2.09
19	192115Z	O-ring 112, .487 x .103 buna -N 70, 2 req.	2.86	3.44
20	350013Z	O-ring lid CH/WF 2-436, 1 req.	4.28	5.14
21	357157	Housing WFE, black	258.40	310.49
22	350203	Seal plate kit, black w/ gasket (Items 23, 35, 36)	227.98	273.94
23	357100Z	Black Gasket for Seal plate	7.30	8.77
24	357151	Lid, see thru WF.	40.64	48.83
24	357156	Lid, Chemical Resistant	76.67	92.13
25	357150	Clamp cam & ramp WF, black	53.98	64.86

Item	Part No.	Description	US List	Can. List
26	357244	Pot WF assy., black (contains 1, 7 (qty. 2), 19 (qty. 2), 20, 21, 24, 25)	540.71	649.72
27	350310	Junction Box Cover - Black	22.98	27.61
28	353250	IntelliPro VS+SVRS Drive Kit - Contains Drive and Control Cover Assy.	CALL	CALL
29	352501	Motor fan kit, black (contains fan, shroud, hardware).	196.52	236.14
30	350701	Drive Control Cover assembly kit, black (contains drive lid, screws, spacer caps, items 31, 32 (qty. 3), 33, 34 (qty. 3) 1	245.17	294.60
30	401100	Drive Control Cover assembly kit, black (contains drive lid, screws, spacer caps, items 31, 32 (qty. 3), 33, 34 (qty. 3) 2	245.17	294.60
31	401101	Control cover assembly (not sold individually - order assy kit item 30)	CALL	CALL
32	350107	Screw 10-24 x 3/4 in. PH MS 18-8 s/s (qty. 3)	4.74	5.70
33	350108	IntelliPro drive gasket	9.85	11.84
34	350142	Spacer cap (qty. 3)	34.41	41.35
35	071734S	Seal Kit	34.31	41.23
36	357158	Seal Plate - black	105.96	127.32
37	357294S	Motor VFD 3.2KW PMSM replacement, black	CALL	CALL
NOT SHOWN				
	350122	50 ft. Communication Cable	191.51	230.12
	347910	Black Volute/Seal plate Replacement Kit (Items 1, 7 (qty. 2), 19 (Qty 2), 20, 21, 22, 23, 24, 25)	CALL	CALL
	350612	Hardware/gasket assy. kit (contains 3 screws, 3 spacer caps and drive gasket)	122.38	147.05
	357603	Union Kit (contains 2 complete unions for one pump, not included with pump).	126.44	151.93
	350101	Seal plate kit without gasket (Items 35 and 36)	CALL	CALL
	350198	Seal Plate Kit (ozone/salt resistant)	222.66	267.55

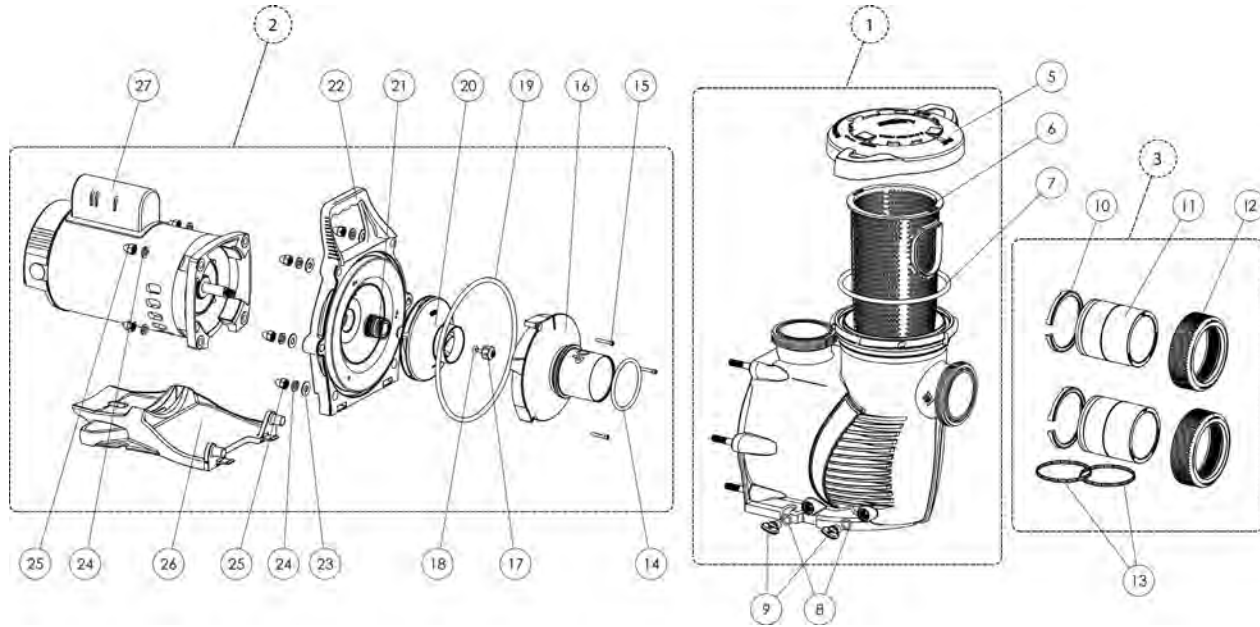
¹ Used on pumps manufactured before 3/20/2013

² Used on pumps manufactured after 3/20/2013

³ Contact factory for IntelliPro VS+SVRS

MAX-E-PROXF® SERIES PUMP

REPLACEMENT PARTS



Item	Part No.	Description	US List	Can. List
MAX-E-PRO XF PUMP				
1	401000	Wet End Assembly	355.70	427.41
2	See chart on next page	Power End Assembly		
3	410020	Union Kit Without Tap	162.05	194.72
5	401006	Lid/Locking Ring Assembly	62.59	75.21
6	400007Z	XF Series Replacement Basket	39.14	47.03
7	35505-1440	Lid/Locking Ring O-Ring	20.99	25.22
8	192115Z	Drain Plug O-Ring	2.86	3.44
9	357161Z	Drain Plug	5.71	6.86
10	410001	2.5 in. C-Clip Locking Ring	7.93	9.53
11	410002	2.5 in. Union Adapter without Tap	37.55	45.12
12	411000	2.5 in. Union Nut	21.77	26.16
13	410016Z	2.5 in. Seal Kit - (Includes two)	13.40	16.10
14	350336	Diffuser O-Ring	3.70	4.45
15	353323	Diffuser Screw	3.70	4.45
16	See chart on next page	Diffuser		
17	37337-6080	Impeller Screw, Plastic-Head (pumps mfg. before 10/7/2019)	21.79	26.18
17	356073	Impeller Screw, Metal-Head (pumps mfg. after 10/7/2019)	CALL	CALL
18	33455-1047	Impeller Reverse Screw O-Ring	CALL	CALL

Item	Part No.	Description	US List	Can. List
19	351446	Seal Plate O-Ring	7.06	8.48
20	See chart on next page	Impeller Assembly		
21	17351-0101S	Mechanical Seal Assembly	29.52	35.47
22	401002	Seal Plate	235.08	282.47
23	072184	Flat Washer	1.74	2.09
24	U43-12SS	Split Lock Washer	3.00	3.60
25	071413	Acorn Nut	1.38	1.66
26	401004Z	Motor Base	43.41	52.16
27	See chart on next page	Motor		
NOT SHOWN				
	400030Z	Hardware and O-Rings Kit	71.14	85.48
	400032Z	Seal Plate Kit w/ Mechanical Seal	227.67	273.57
	400012	Riser Plate XF to Challenger	75.10	90.24
	401014Z	Motor End Cap and Screw	29.42	35.35
	357924Z	Fan Guard Kit TEFC/Super-Duty	CALL	CALL

CALIFORNIA PROPOSITION 65 WARNING

⚠️ **WARNING:** Cancer and Reproductive Harm.
 ⚠️ **AVERTISSEMENT:** Peut Causer le Cancer et des Dommages au Système Reproducteur.
 ⚠️ **ADVERTENCIA:** Cáncer y Daño Reproductivo.

www.p65warnings.ca.gov. P652017A

MAX-E-PROXF[®] SERIES PUMP (CONT'D)

REPLACEMENT PARTS



Item	Part No.	Description	US List	Can. List
IMPELLERS				
20	400020Z	XFET-8	132.22	158.88
20	400015Z	XFET-12	143.27	172.15
20	400023Z	XFET-20	154.28	185.38
20	400020Z	XF-8	132.22	158.88
20	400015Z	XF-12	CALL	CALL
20	400020Z	XFE-8	132.22	158.88
20	400015Z	XFE-12	CALL	CALL
20	400023Z	XFE-20	154.28	185.38
20	400020Z	XFDS-8	132.22	158.88
20	400015Z	XFDS-12	143.27	172.15
20	400020Z	XFDS-30	132.22	158.88
20	400020Z	XF-30	132.22	158.88
20	400020Z	XFE-30	132.22	158.88
20	400020Z	XFJ-8	132.22	158.88
20	400015Z	XFJ-12	143.27	172.15
20	400023Z	XFJ-20	154.28	185.38
20	400020Z	XFK-8	132.22	158.88
20	400015Z	XFK-12	143.27	172.15
20	400023Z	XFK-20	154.28	185.38
MOTORS				
27	354816S	2hp 1-Phase TEFC 208-230V	CALL	CALL
27	354818S	3hp 1-Phase TEFC 208-230V	CALL	CALL
27	354820S	5hp 1-Phase TEFC 208-230V	CALL	CALL
27	355027S	2hp Standard E 230V	CALL	CALL
27	355034S	3hp Standard E 230V	CALL	CALL
27	355015S	2hp High Eff 208-230V	CALL	CALL
27	355017S	3hp High Eff 208-230V	CALL	CALL
27	353319S	5hp High Eff 208-230V	CALL	CALL
27	359527S	2hp 2 Speed 230V	CALL	CALL
27	353318S	3hp 2 Speed 230V	CALL	CALL
27	359527S	2.5hp Uprated 2 Speed 230V	CALL	CALL
27	355027S	2.5hp Uprated Standard E 230V	CALL	CALL
27	355015S	2.5hp Uprated High E 208-230V	CALL	CALL
27	354810S	2hp 3 Phase 208-230-460V	CALL	CALL
27	354812S	3hp 3 Phase 208-230-460V	CALL	CALL
27	354814S	5hp 3 Phase 208-230-460V	CALL	CALL

Item	Part No.	Description	US List	Can. List
DIFFUSERS				
16	400010	XFET-8	102.87	123.61
16	400010	XFET-12	102.87	123.61
16	400011Z	XFET-20	111.04	133.43
16	400010	XF-8	102.87	123.61
16	400010	XF-12	102.87	123.61
16	400010	XFE-8	102.87	123.61
16	400010	XFE-12	102.87	123.61
16	400011Z	XFE-20	111.04	133.43
16	400010	XFDS-8	102.87	123.61
16	400010	XFDS-12	102.87	123.61
16	400010	XFDS-30	102.87	123.61
16	400010	XF-30	102.87	123.61
16	400010	XFE-30	102.87	123.61
16	400010	XFJ-8	102.87	123.61
16	400010	XFJ-12	102.87	123.61
16	400011Z	XFJ-20	111.04	133.43
16	400010	XFK-8	102.87	123.61
16	400010	XFK-12	102.87	123.61
16	400011Z	XFK-20	111.04	133.43
POWER ENDS				
2	401632Z	2hp 1-Phase TEFC 208-230V	1412.42	1697.16
2	401633Z	3hp 1-Phase TEFC 208-230V	1695.23	2036.99
2	401634Z	5hp 1-Phase TEFC 208-230V	1830.29	2199.28
2	401612Z	2hp Standard E 230V	1299.37	1561.32
2	401613Z	3hp Standard E 230V	1390.03	1670.26
2	401609Z	2hp High Eff 208-230V	1320.03	1586.15
2	401610Z	3hp High Eff 208-230V	1584.34	1903.74
2	401611Z	5hp High Eff 208-230V	1687.88	2028.16
2	401607Z	2hp 2 Speed 230V	1457.00	1750.73
2	401608Z	3hp 2 Speed 230V	1599.95	1922.50
2	401607Z	2.5hp Uprated 2 Speed 230V	1457.00	1750.73
2	401612Z	2.5hp Uprated Standard E 230V	1299.37	1561.32
2	401609Z	2.5hp Uprated High E 208-230V	1320.03	1586.15
2	401617Z	2hp 3 Phase 208-230-460V	CALL	CALL
2	401618Z	3hp 3 Phase 208-230-460V	CALL	CALL
2	401619Z	5hp 3 Phase 208-230-460V	CALL	CALL

Note: Pumps and replacement motors that are single speed and one (1) Total HP or greater cannot be sold, offered for sale, or installed in a residential pool filtration use in California, Title 20 CCR sections 1601-1609.

CALIFORNIA PROPOSITION 65 WARNING

⚠️ **WARNING:** Cancer and Reproductive Harm.
 ⚠️ **AVERTISSEMENT:** Peut Causer le Cancer et des Dommages au Système Reproducteur.
 ⚠️ **ADVERTENCIA:** Cáncer y Daño Reproductivo.

www.p65warnings.ca.gov. P#201514

Product on pages 198–199.

MAX-E-PRO® SERIES PUMP REPLACEMENT PARTS

Box A

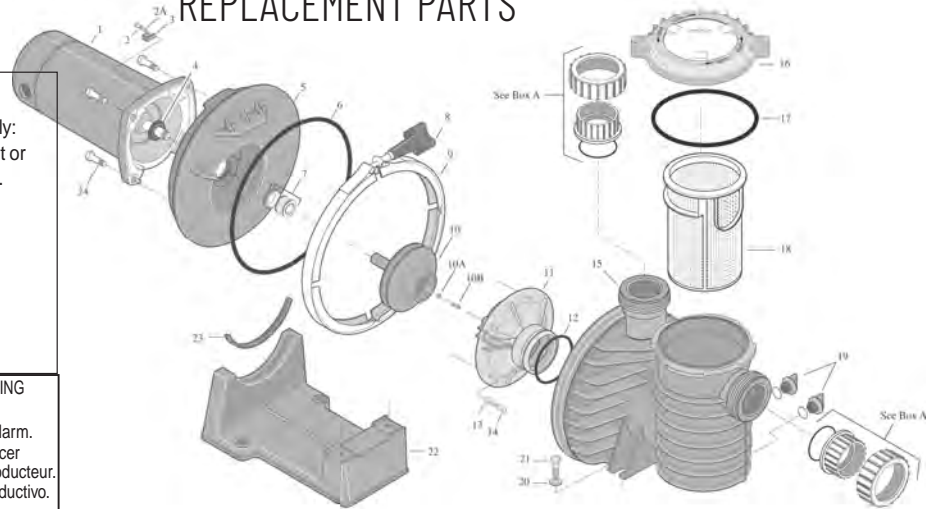
For quick disconnect pipe connections, purchase separately:
 PKG 188Z 2 in. Slip 1/2 Union Kit or
 Pkg. 189 2 in. NPT 1/2 Union Kit.

Includes 2 each:
 U11-200P Union Collar
 U9-362 O-Ring

U11-196P 2 in. Slip adapter or
 U11-199P 2 in. NPT adapter.

CALIFORNIA PROPOSITION 65 WARNING

⚠ **WARNING:** Cancer and Reproductive Harm.
 ⚠ **AVERTISSEMENT:** Peut Causer le Cancer et des Dommages au Système Reproducteur.
 ⚠ **ADVERTENCIA:** Cáncer y Daño Reproductivo.
www.p65warnings.ca.gov



Model No.	HP	Motor No. (Item No. 1)	Impeller (Item No. 10)	Diffuser (Item No. 11)	Motor Base/Pad
1 PHASE 60 HZ PUMPS - TEFC 1-Speed					
348150	1	354822S	C105-238PB	C1-271P1	Note 6
348151	1-1/2	354824S	C105-238PDBA	C1-271P	Note 6
348152	2	354816S	C105-238PEBA	C1-271P	Note 6
348153	3	354818S	C105-238PLA	C1-271P	Note 6
1 PHASE 60 HZ PUMPS - 115/230 V 1-Speed					
P6E6C-204L	1/2	AE100CHL	C105-238PX	C1-271P1	Note 5
P6E6D-205L	3/4	AE100DHL	C105-238P	C1-271P1	Note 5
P6R6D-205L	3/4	355021S	C105-238P	C1-271P1	Note 6
P6E6E-206L	1	AE100EHL	C105-238PB	C1-271P1	Note 5
P6EA6E-205L	1	AE100ELL	C105-238P	C1-271P1	Note 5
P6RA6E-205L	1	355021S	C105-238P	C1-271P1	Note 6
P6R6E-206L	1	355023S	C105-238PB	C1-271P1	Note 6
P6EA6F-206L	1-1/2	AE100FLL	C105-238PB	C1-271P1	Note 5
P6RA6F-206L	1-1/2	355023S	C105-238PB	C1-271P1	Note 6
P6R6F-207L	1-1/2	355025S	C105-238PDBA	C1-271P	Note 6
1 PHASE 60 HZ PUMPS - 230V 1-Speed					
P6E6F-207L	1-1/2	AE100FHL	C105-238PDBA	C1-271P	Note 5
P6AA6F-216L	1-3/4	AE100F5LL	C105238PDCA	C1-271P	Note 5
P6RAA6F-216L	1-3/4	A100F5LL	C105-238PDCA	C1-271P	Note 5
P6E6G-208L	2	AE100GHL	C105-238PEBA	C1-271P	Note 5
P6EA6G-207L	2	355025S	C105-238PDBA	C1-271P	Note 5
P6RA6G-207L	2	AE100GHL	C105-238PDBA	C1-271P	Note 6
P6R6G-208L	2	355027S	C105-238PEBA	C1-271P	Note 6
P6EAA6G-208L	2-1/2	AE100G5LL	C105-238PEBA	C1-271P	Note 5
P6E6H-209L	3	AE100HLL	C105-238PLA	C1-271P	Note 6
P6R6H-209L	3	355034S	C105-238PLA	C1-271P	Note 6

Note: Pumps and replacement motors that are single speed and one (1) Total HP or greater cannot be sold, offered for sale, or installed in a residential pool filtration use in California, Title 20 CCR sections 1601-1609.

MAX-E-PRO® SERIES PUMP (CONT'D)

REPLACEMENT PARTS



Model No.	HP	Motor No. (Item No. 1)	Impeller (Item No. 10)	Diffuser (Item No. 11)	Motor Base/Pad
1 PHASE 60 HZ PUMPS - 2-Speed					
P6RA6YF-206L	1-1/2 (Hi Speed), 1/4 (Low Speed)	A100FLL-Y	C105-238PBA ³	C1-271P1	Note 5
P6RA6YG-207L	2 (Hi Speed), 1/3 (Low Speed)	AE100GLL-Y	17307-0116 ⁵ , C105-238PDBA	C1-271P	Note 5
3 PHASE 60 HZ PUMPS - 208-230/460 - TEFC					
345076	1	354806S	C105-238PBA ⁴	C1-271P1	Note 6
345077	1-1/2	354808S	C105-238PDBA ⁴	C1-271P	Note 6
345078	2	354810S	C105-238PEBA ⁴	C1-271P	Note 6
345079	3	354812S	C105-238PLA ⁴	C1-271P	Note 6
3 PHASE 60 HZ PUMPS - 200/400v 1 Speed					
P6R62D3-186	3/4	AP100DH2	C105-238A ⁴	C1-271P1	Note 5
P6R62E3-187	1	AP100EH2	C105-238PBA ³	C1-271P1	Note 5
P6R62F3-188	1-1/2	AP100FH2	C105-238PDBA ⁴	C1-271P	Note 5
P6R62G3-189	2	AP100GH2	C105-238PEBA ⁴	C1-271P	Note 5
3-Phase Models: - 575 Volts					
P6EA6D36-204	3/4	16502-0024S	C105-238PX ⁴ A	C1-271P1	Note 6
P6EA6E36-205	1	16503-0024S	C105-238P ⁴ A	C1-271P1	Note 6
P6EA6F36-206	1-1/2	62001-1019S	C105-238PBA ⁴	C1-271P1	Note 5
P6EA6G36-207	2	62003-2087	C105-238PDBA ⁴	C1-271P	Note 5
P6E6H36-209	3	62001-1021S	C105-238PLA ⁴	C1-271P1	Note 6

Item	Part No.	Description	US List	Can. List
MAX-E-PRO SERIES REPLACEMENT PARTS				
1	Chart	Motor		
2	U30-692SS	#10-32 x 1/2 in. Screw	2.33	2.80
2A	U43-22SS	Lock Washer	2.10	2.52
3	U17-568	Bonding Lug	12.30	14.78
4	17351-0009	Water Slinger	2.13	2.56
5	C203-194P	Seal Plate Kit (Incl. Part Nos. 6, 7)	189.22	227.37
6	U9-228AZ	O-Ring (Round)	11.04	13.27
6	357099Z	O-Ring (Square)	11.59	13.93
7	17351-0101S	Shaft Seal, EDPM black	29.52	35.47
8	WC36-22	Clamp Knob	14.48	17.40
9	C19-37A	Clamp	117.88	141.64
10	Chart	Impeller		
10A	35505-1426	Impeller Screw O-Ring	1.18	1.42
10B	Chart	Impeller Screw		
11	Chart	Diffuser		
12	U9-374Z	Diffuser O-Ring	6.19	7.44
12	357098Z	Diffuser O-Ring (Blue Coating)	6.51	7.82
13	U43-21SS	#8 Lock Washer	1.92	2.31
14	U30-542SS	Screw (w/ C1-271P1 Diffuser)	2.48	2.98
15	17307-0110S	Tank Body Assembly ²	351.14	421.93
16	17307-0111S	Trap Cover Assembly ¹	79.41	95.42
17	35505-1440	Trap O-Ring	20.99	25.22

Item	Part No.	Description	US List	Can. List
18	C8-58PZ	Basket	15.58	18.72
19	U178-920PZ	1/4 in. NPT Drain Plug	CALL	CALL
19	U9-359	Drain Plug O-Ring	0.85	1.02
20	U43-41SSZ	Base Washer	2.86	3.44
21	U30-918SS	Base Screw	5.58	6.70
22	C4-78P	Base	51.30	61.64
22	C104-79P	Base w/ Motor Pad	52.50	63.08
23	C35-43	Motor Pad	6.15	7.39
23	C35-44	Motor Pad	9.08	10.91
24	U30-74SS	3/8-16 x 1 in. Hex Hd. Screw	4.96	5.96
	357924Z	Fan Guard Kit TEFC/Super-Duty	CALL	CALL
	356196	Max-E-Pro/IntelliPro Quick Kit (includes 6, 7, 10A, 12, 20(x2), 17)	34.03	40.89

¹ Includes Trap Cover, Trap Ring and Trap Cover O-Ring

² Includes Trap Body, Basket, Drain Plugs, and Trap Cover Assembly

³ Uses Key No. 10B Impeller Screw No. 37337-6080

⁴ Uses Key No. 10B Impeller Screw No. 37337-6081

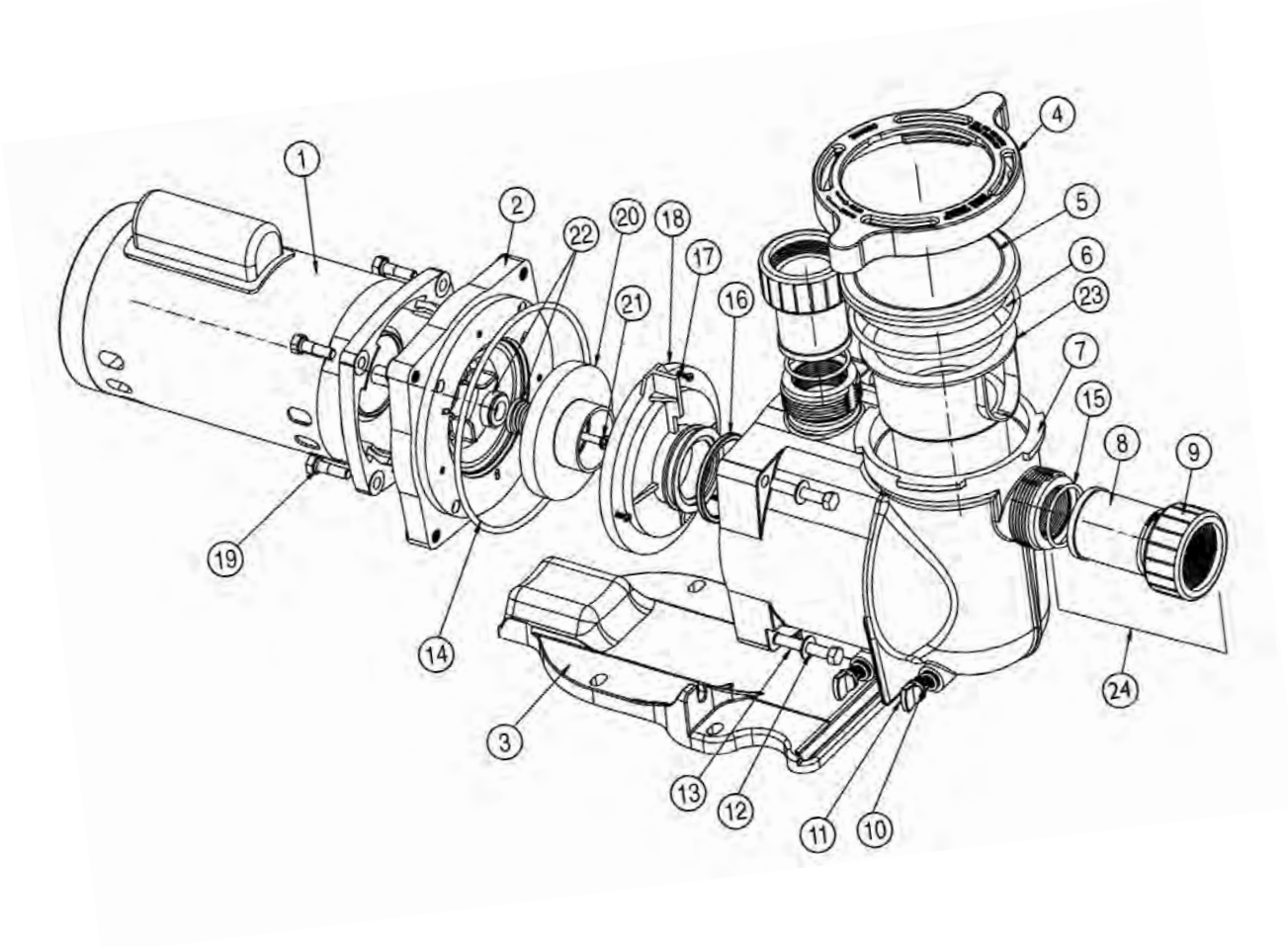
⁵ Uses base C4-78P and motor pad C35-43

⁶ Uses base C104-79P and includes motor pad C35-44

Note: Pumps and replacement motors that are single speed and one (1) total HP or greater cannot be sold, offered for sale, or installed in a residential pool for filtration use in California, Title 20 CCR sections 1601-1609.

SUPERMAX® PUMP

REPLACEMENT PARTS



Note: Pumps and replacement motors that are single speed and one (1) total HP or greater cannot be sold, offered for sale, or installed in a residential pool for filtration use in California, Title 20 CCR sections 1601-1609.

CALIFORNIA PROPOSITION 65 WARNING

▲ **WARNING:** Cancer and Reproductive Harm.
 ▲ **AVERTISSEMENT:** Peut Causer le Cancer et des Dommages au Système Reproducteur.
 ▲ **ADVERTENCIA:** Cáncer y Daño Reproductivo.
www.p65warnings.ca.gov

SUPERMAX® PUMP (CONT'D)

REPLACEMENT PARTS

Item	Part No.	Description	US List	Can. List
SINGLE SPEED SUPERMAX MOTORS				
1	354804S	3/4HP, 1SP, 1PH, TEFC, 115/208-230	CALL	CALL
1	354822S	1HP, 1SP, 1PH, TEFC, 115/208-230	CALL	CALL
1	354824S	1-1/2HP, 1SP, 1PH, TEFC, 208-230	CALL	CALL
1	354816S	2HP, 1SP, 1PH, TEFC, 208-230	CALL	CALL
1	355019S	1/2 HP Motor, SQFL, 1 sp, 1 ph, 60 hz, 115/208-230, Black	CALL	CALL
1	355019S	3/4 HP Motor, SQFL, 1 sp, 1 ph, 60 hz, 115/208-230, Black	CALL	CALL
1	355021S	1 HP Motor, SQFL, 1 sp, 1 ph, 60 hz, 2115/208-230, Black	CALL	CALL
1	355023S	1-1/2 HP Motor, SQFL, 1 sp, 1 ph, 60 hz, 115/208-230, black	CALL	CALL
1	355025S	2 HP Motor, SQFL, 1 sp, 1 ph, 60 hz, 115/208-230, Black	CALL	CALL
1	355027S	2-1/2 HP Motor, SQFL, 1 sp, 1 ph, 60 hz, 208-230, Black	CALL	CALL
2 SPEED SUPERMAX MOTORS				
1	355232S	1 HP Motor, SQFL, 2 sp, 1 ph, 60 hz, 230V, Black	CALL	CALL
1	355376S	1-1/2 HP Motor, SQFL, 2 sp, 1 ph, 60 hz, 230V, Black	CALL	CALL
1	355377S	2 HP Motor, SQFL, 2 sp, 1 ph, 60 hz, 230V, Black	CALL	CALL
EFFICIENT SUPERMAX MOTORS				
1	355009S	1/2 HP Motor SQFL, 1 Speed, 1 phase, 60 Hz, 115/208-230, black	CALL	CALL
1	355009S	3/4 HP Motor SQFL, 1 Speed, 1 phase, 60 Hz, 115/208-230, black	CALL	CALL
1	355009S	1 HP Motor SQFL, 1 Speed, 1 phase, 60 Hz, 115/208-230, black	CALL	CALL
1	355011S	1.5 HP Motor SQFL, 1 Speed, 1 phase, 60 Hz, 115/208-230, black	CALL	CALL
1	355013S	2 HP Motor SQFL, 1 Speed, 1 phase, 60 Hz, 208-230, black	CALL	CALL
1	355015S	2.5 HP Motor SQFL, 1 Speed, 1 phase, 60 Hz, 208-230, black	CALL	CALL
SUPERMAX PUMPS				
2	355612	Seal Plate, Black	98.63	118.51
3	351094	Base, Black	108.95	130.91
4	351090	Clamp, Ramp & Cam, Black	45.82	55.06
5	350091	Lid	36.77	44.18
6	357255Z	O-ring, Lid #2-357	6.24	7.50
7	351089	Volute, Black	309.69	372.12
8	350093	Adapter, 2 req.	20.58	24.73
9	270141	Nut, 2 req.	22.05	26.50

Item	Part No.	Description	US List	Can. List
10	192115Z	O-Ring Drain Plug, 2 req.	2.86	3.44
11	357161Z	Drain Plug, 2 req.	5.71	6.86
12	355621	ScREW 3/4-16 x 2-1/4 HEX HD,4 req.	5.66	6.80
13	072184	Washer 3/8 in. S/S, 4 req.	1.74	2.09
14	355619Z	O-Ring Seal Bracket	12.24	14.71
15	6020018	O-Ring Adapter #2-226, 2 req.	0.39	0.47
16	355030Z	Seal Diffuser	10.61	12.75
17	355334Z	Screw #8-32 HEX Washer HD, 3 req.	3.56	4.28
22	354545S	Seal Set	32.40	38.93
	356210S	Seal, mechanical, ozone/salt resistant	CALL	CALL
23	355667	Basket, Large	24.63	29.60
24	351157	SuperMax Union Kit (includes 2 of Items 8, 9, & 15)	95.77	115.08
SUPERMAX DIFFUSERS				
18	355617	Diffuser, 1/2 HP	108.65	130.55
18	355617	Diffuser, 3/4 HP	108.65	130.55
18	355617	Diffuser, 1 HP	108.65	130.55
18	355618	Diffuser, 1-1/2 HP	108.65	130.55
18	355618	Diffuser, 2 HP	108.65	130.55
18	350170	Diffuser, 2-1/2 HP	107.00	128.57
19	070429Z	Bolt, 3/8-16 X 7/8 SS Hex Head 18-8, 4 req.	CALL	CALL
SUPERMAX IMPELLERS				
20	355043	Impeller 1/2 HP	61.61	74.03
20	355043	Impeller 3/4 HP	61.61	74.03
20	355067	Impeller 1 HP	62.83	75.50
20	355074	Impeller 1-1/2 HP	63.57	76.39
20	355086	Impeller 2 HP	64.02	76.93
20	355093	Impeller 2-1/2 HP	65.18	78.32
20	355067	Impeller 1 HP, 2-SPD	62.83	75.50
20	355074	Impeller 1-1/2 HP, 2-SPD	63.57	76.39
20	355086	Impeller 2 HP, 2-SPD	64.02	76.93
21	355389	Screw, Impeller Locking	1.74	2.09
NOT SHOWN				
	79129900	2-Speed Toggle Switch	55.25	66.39
	401014Z	Motor End Cap and Screw	29.42	35.35
	357924Z	Fan Guard Kit TEFC/Super-Duty	CALL	CALL

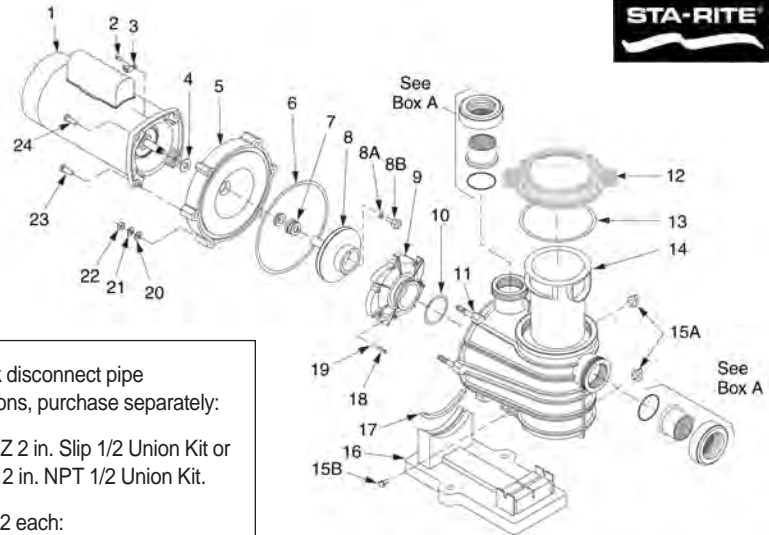
CALIFORNIA PROPOSITION 65 WARNING
 ⚠️ WARNING: Cancer and Reproductive Harm.
 ⚠️ AVERTISSEMENT: Peut Causer le Cancer et des Dommages au Système Reproducteur.
 ⚠️ ADVERTENCIA: Cáncer y Daño Reproductivo.
 www.p65warnings.ca.gov. PH20014A

DYNA-PRO® / DYNA-PRO E PUMPS

1/2 THROUGH 2-1/2 HP MODELS, SINGLE SPEED AND TWO SPEED REPLACEMENT PARTS

Motor Chart

Single Speed 115/230/60/1		
MPRA6D-204L	3/4	A100DLL
MPRA6E-205L	1	A100ELL
MPRA6F-206L	1-1/2	A100FLL
MPEA6D-204L	3/4	AE100DLL
MPEA6E-205L	1	AE100ELL
MPEA6F-206L	1-1/2	AE100FLL
MPE6C-204L	1/2	AE100CHL
MPE6D-205L	3/4	AE100DHL
MPE6E-206L	1	AE100EHL
230/60/1		
MPRA6G-207L	2	A100GLL
MPEA6G-207L	2	AE100GLL
MPEAA6G-208L	2-1/2	AE100G5LL
MPE6F-207L	1-1/2	AE100FHL
MPE6G-208L	2	AE100GHL
Two Speed 230/60/1		
MPRA6YF-206L	1-1/2	A100FLL-Y
MPEA6YG-207L	2	AE100GLL-Y
MPEAA6YG-208L	2-1/2	AE100G5LL-Y
MPE6YF-207L	1-1/2	AE100GLL-Y
MPE6YG-208L	2	AE100G5LL-Y



Box A

For quick disconnect pipe connections, purchase separately:
 PKG 188Z 2 in. Slip 1/2 Union Kit or
 Pkg. 189 2 in. NPT 1/2 Union Kit.

Includes 2 each:

U11-200P Union Collar

U9-362 O-Ring

U11-196P 2 in. Slip adapter or
 U11-199P 2 in. NPT adapter.

CALIFORNIA PROPOSITION 65 WARNING

⚠ WARNING: Cancer and Reproductive Harm.
⚠ AVERTISSEMENT: Peut Causer le Cancer et des Dommages au Système Reproducteur.
⚠ ADVERTENCIA: Cáncer y Daño Reproductivo.
www.p65warnings.ca.gov

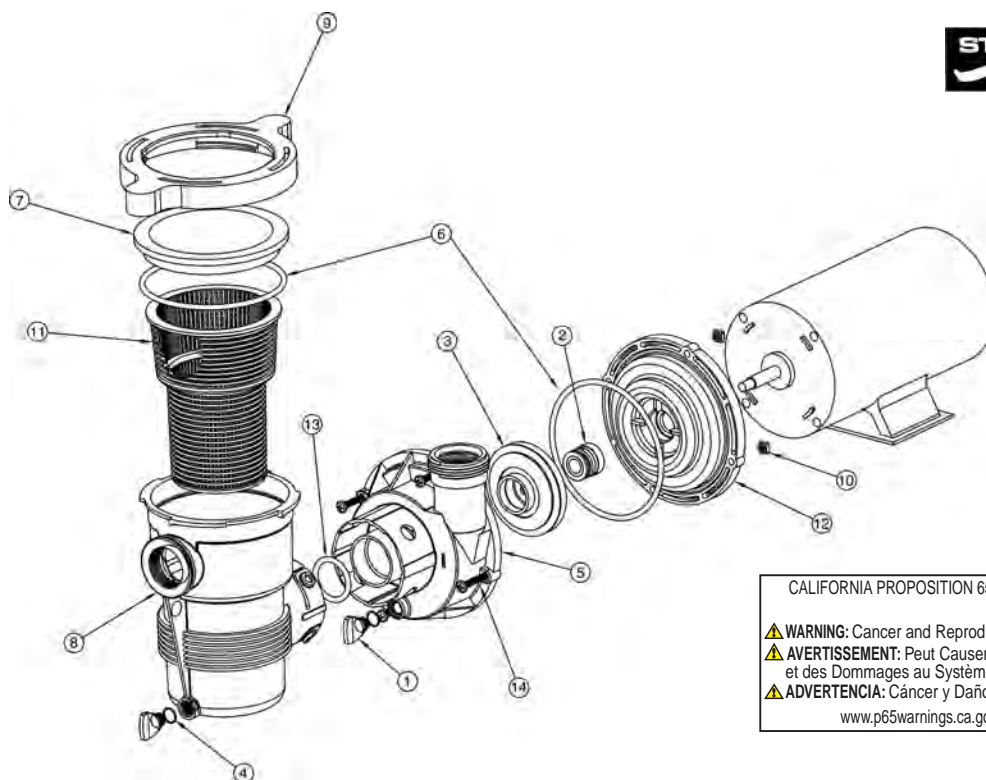
Item	Part No.	Description	US List	Can. List
DYNA-PRO REPLACEMENT PARTS				
2	U30-692SS	Screw #10-32 x 1/2 in.	2.33	2.80
3	U17-568	Bonding Lug	12.30	14.78
4	17351-0009	Slinger	2.13	2.56
5	C3-184P	Seal Plate	132.79	159.56
6	U9-373Z	Seal Plate Cord Ring	10.38	12.47
7	17351-0101S	Shaft Seal	29.52	35.47
8	C105-236P	Impeller, 1/2 HP - Models MPEA6D-204L, MPE6C-204L, MPRA6D-204L	53.61	64.42
8	C105-236PB	Impeller, 1 HP - Models MPEA6E-205L, MPE6D-205L, MPRA6E-205L, MPRA6E-147L, MPRA6E-147LC	53.61	64.42
8	C105-236PC	Impeller, 1-1/2 HP - Models MPEA6F-206L, MPE6E-206L, MPRA6F-206L, MPRA6YF-206L,	53.61	64.42
8	C105-236PDA	Impeller, 2 HP - Models MPEA6G-207L, MPE6F-207L, MPEA6YG-207L, MPE6YF-207L, MPRA6G-207	53.61	64.42
8	C105-236PEA	Impeller, 2-1/2 HP - Models MPEAA6G-208L, MPA6G-208L, MPEAA6YG-208L, MPE6G-208L	53.61	64.42
8A	33455-1047	Gasket, Models MPEA6G-207L, MPE6F-207L, MPEA6YG-207L, MPE6YF-207L, MPRA6G-207	CALL	CALL
8A	33455-1047	Gasket, Models MPEAA6G-208L, MPA6G-208L, MPEAA6YG-208L, MPE6G-208L	CALL	CALL
8B	37337-6080	Impeller Lock Screw, Models MPEA6G-207L, MPE6F-207L, MPEA6YG-207L, MPE6YF-207L, MPRA6G-207	21.79	26.18
8B	37337-6080	Impeller, Models MPEAA6G-208L, MPA6G-208L, MPEAA6YG-208L, MPE6G-208L	21.79	26.18

Item	Part No.	Description	US List	Can. List
9	C1-270PB	Diffuser - 1/2 HP	33.22	39.92
9	C1-270PC	Diffuser - 1 HP	33.22	39.92
9	C1-270P	Diffuser - 1-1/2 HP	33.22	39.92
9	C1-270P	Diffuser - 2 HP	33.22	39.92
9	C1-270P	Diffuser - 2-1/2 HP	33.22	39.92
10	U9-374Z	Diffuser O-Ring	6.19	7.44
10	357098Z	Diffuser O-Ring (Blue Coating)	6.51	7.82
11	C76-71P	Tank and Trap Body (Only)	308.79	371.04
12	17307-0111S	Lid and Locking Ring Assembly	79.41	95.42
13	35505-1440	Trap Cover O-Ring	20.99	25.22
14	C8-58PZ	Trap Basket	15.58	18.72
15A	U178-920PZ	Drain Plug	CALL	CALL
15B	U30-919SS	Mounting Screw 5/16-14 x 5/8 in.	4.94	5.94
16	C4-77P	Base - Plastic	56.14	67.46
17	C35-45	Motor Pad - for Plastic Base	5.12	6.15
18	U30-542SS	Screw #8-32 x 7/8 in. Rd. Hd.	2.48	2.98
19	U43-21SS	Lock Washer #8 Ext. Tooth.	1.92	2.31
20	U43-62SS	Flat Washer 3/8 in.	1.92	2.31
21	U43-12SS	Lock Washer 3/8 in.	3.00	3.60
22	071403	Nut 3/8-16 Hex	1.74	2.09
23	U30-75SS	Cap Screws 3/8-16 x 1-1/4 in. Hex. (LS Suffix)	3.14	3.77
24	U30-74SS	Cap Screws 3/8-16 x 1 in. Hex.	4.96	5.96

Note: Pumps and replacement motors that are single speed and one (1) Total HP or greater cannot be sold, offered for sale, or installed in a residential pool filtration use in California, Title 20 CCR sections 1601-1609.

OPTIFLO® PUMP

PENTAIR AND STA-RITE REPLACEMENT PARTS



CALIFORNIA PROPOSITION 65 WARNING
 ⚠️ WARNING: Cancer and Reproductive Harm.
 ⚠️ AVERTISSEMENT: Peut Causer le Cancer et des Dommages au Système Reproducteur.
 ⚠️ ADVERTENCIA: Cáncer y Daño Reproductivo.
www.p65warnings.ca.gov PR20071A

Item	Part No.	Description	US List	Can. List
OPTIFLO PUMPS				
1	357161Z	Drain plug	5.71	6.86
2	354545S	Mechanical seal	32.40	38.93
3	350017	Impeller, 1 HP	68.33	82.11
3	354552	Impeller, 3/4 HP	33.38	40.11
3	350018	Impeller, 1-1/2 HP	72.41	87.01
4	192115Z	O-ring	2.86	3.44
5	357213	Volute ¹	31.15	37.43
6	357255Z	O-ring 2-357	6.24	7.50
7	357227	Lid	13.51	16.23
7	357323	Lid, Chemical Resistant	CALL	CALL
8	357228	Pot ¹	27.86	33.48
9	357239	Clamp ring	16.34	19.63
10	357254	1/4-20 Square nut	1.60	1.92
11	355667	Basket	24.63	29.60
12	357215	Seal plate	38.65	46.44
13	350103	O-ring 2-130	6.24	7.50
14	98209000	1/4-20 x 1-1/2 Machine screw	2.31	2.78
NOT SHOWN				
	79137800	3 ft. cord - standard	72.82	87.50
	155234	3 ft. cord - TW	88.73	106.62

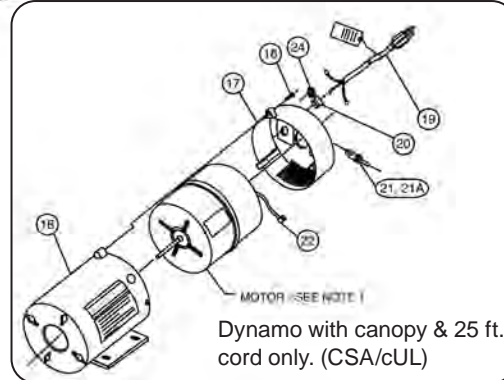
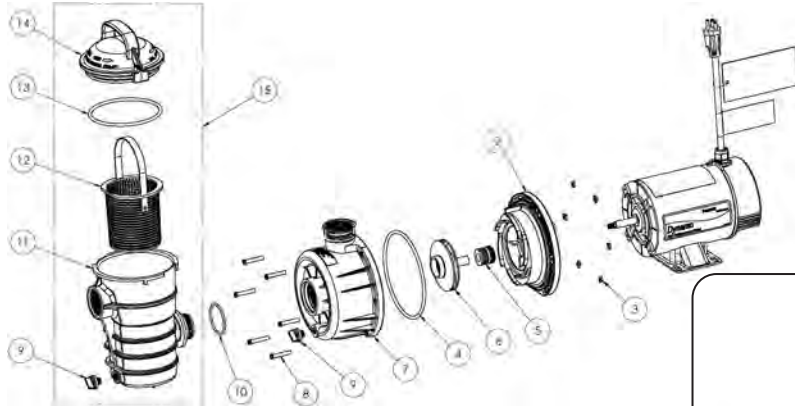
¹ Includes drain plugs.

Note: Pumps and replacement motors that are single speed and one (1) Total HP or greater cannot be sold, offered for sale, or installed in a residential pool for filtration use in California, Title 20 CCR sections 1601-1609.

Product on pages 216–217 (Pentair) and pages 220–221 (Sta-Rite).

DYNAMO® PUMP

PENTAIR AND STA-RITE REPLACEMENT PARTS



CALIFORNIA PROPOSITION 65 WARNING
 ⚠️ **WARNING:** Cancer and Reproductive Harm.
 ⚠️ **AVERTISSEMENT:** Peut Causer le Cancer et des Dommages au Système Reproducteur.
 ⚠️ **ADVERTENCIA:** Cáncer y Daño Reproductivo.
 www.p65warnings.ca.gov. PB 201714

Item	Part No.	Description	US List	Can. List
DYNAMO PUMPS				
MOTORS				
2	354632	Diffuser, 3/4 HP bracket	117.64	141.36
2	354633	Diffuser, 1, 1-1/2 HP bracket	117.64	141.36
3	354542	Nut, 10-24 SS, 6 req.	1.74	2.09
4	354634	O-ring, 3/16 in. bracket diffuser	9.13	10.97
5	354545S	Seal, 5/8 in. mechanical	32.40	38.93
6	353002	Impeller, 1/2 HP	41.02	49.29
6	354552	Impeller, 3/4 HP	33.38	40.11
6	355122	Impeller, 1 HP	38.73	46.54
7	354630	Housing, body	130.49	156.80
8	354541	Screw, 10-24-1-1/2 in. slotted hex, 6 req.	2.42	2.91
9	U178-920PZ	Drain plug assy. - 2 req.	CALL	CALL
10	273062	O-ring	1.82	2.19
11	354530	Pot	115.61	138.92
12	354548	Basket w/ handle	21.78	26.17
13	354533	O-ring, lid	10.19	12.24
14	354531	Lid, universal	64.57	77.59
14	354113	Chemical Resistant Lid	64.57	77.59
15	354103	Pot assembly	256.82	308.59

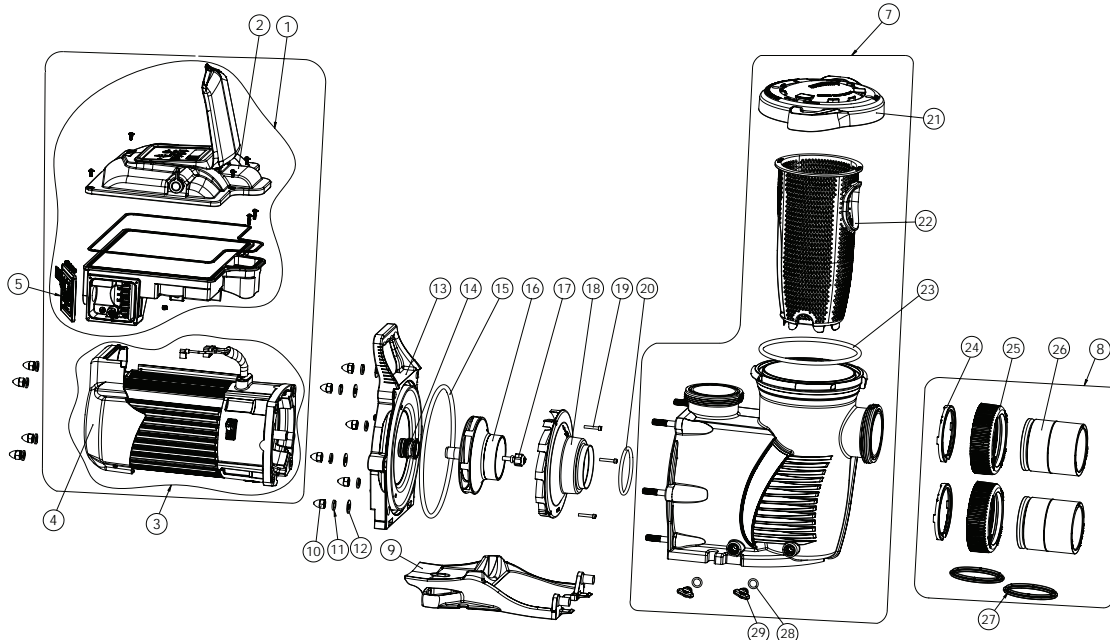
Item	Part No.	Description	US List	Can. List
DYNAMO WITH CANOPY AND 25 FT. CORD ONLY (CSA/cUL)				
16	354621	Body, motor enclosure	55.69	66.92
17	354881	Cap, motor enclosure (on/off)	72.45	87.06
17	354882	Cap. motor enclosure (two-speed)	72.45	87.06
18	154716	Screw, No.10 self tapping	0.83	1.00
19	155371	Cord, 25 ft.	87.64	105.31
20	41412700	Bushing connector	12.13	14.58
21	155187	Switch, on/off toggle (CSA)	24.81	29.81
21A	356546	Switch, three position toggle (Hi/Low/Off)	63.29	76.05
22	155193	Wire, 6 in. jumper	7.30	8.77
24	350024	Locknut, steel 1-1/2 in.	1.00	1.20
NOT SHOWN				
	352256	Nut, 1-1/2 in. quick connect, 2 req.	11.30	13.58
	354571	O-ring, 2 req.	3.94	4.73
	79137800	3 ft. cord standard assembly	72.82	87.50
	352245	Strain relief bushing for cords	4.79	5.76
	350444	Canopy switch assembly, on/off ¹	53.98	64.86
	350481	Canopy with on-off switch ²	53.97	64.85
	356546	Motor switch assembly, two-speed	63.29	76.05
	155380Z	Base CSA 4 in.	95.59	114.86
	155234	3 ft. cord TW	88.73	106.62
	79137800	3 ft. cord-standard	72.82	87.50

¹ Pumps manufactured before 4/13.
² Pumps manufactured after 4/13.

Note: Pumps and replacement motors that are single speed and one (1) Total HP or greater cannot be sold, offered for sale, or installed in a residential pool filtration use in California, Title 20 CCR sections 1601-1609.

WHISPERFLOXF® VS PUMP / MAX-E-PROXF® VS PUMP

REPLACEMENT PARTS



Item	Part No.	Description	US List	Can. List
WHISPERFLOXF VS PUMP /MAX-E-PROXF VS PUMP				
1	358085	WhisperFloXF VS Drive Kit (includes drive, top cover, keypad cover and field wiring cover/screws)	2496.19	2999.42
1	358086	Max-E-ProXF VS Drive Kit (includes drive, top cover, keypad cover and field wiring cover/screws)	2496.19	2999.42
2	358093	WhisperFloXF VS Top Cover Kit w/Screws	567.71	682.16
2	358094	Max-E-ProXF VS Top Cover Kit w/Screws	567.71	682.16
3	358089	WhisperFloXF VS Motor w/Fan Shroud	1597.56	1919.63
3	358090	Max-E-ProXF VS Motor w/Fan Shroud	1597.56	1919.63
4	358095	WhisperFloXF VS Fan Shroud w/Screws	122.66	147.39
4	358096	Max-E-ProXF VS Fan Shroud w/Screws	122.66	147.39
5	358091	WhisperFloXF VS Field Wiring Cover w/Screws	71.31	85.69
5	358092	Max-E-ProXF VS Field Wiring Cover w/Screws	71.31	85.69
6	400000	WhisperFloXF VS Wet End Assembly	355.70	427.41
6	401000	Max-E-ProXF VS Wet End Assembly	355.70	427.41
7	410020	Union Kit	162.05	194.72
8	400004Z	WhisperFloXF VS Motor Base	43.41	52.16
8	401004Z	Max-E-ProXF VS Motor Base	43.41	52.16
9	071413	Acorn Nut (Qty. 10)	1.38	1.66
10	U43-12SS	Lock Washer (Qty. 10)	3.00	3.60
11	072184	Flat Washer (Qty. 6)	1.74	2.09
12	400002	WhisperFloXF VS Seal Plate	235.08	282.47
12	401002	Max-E-ProXF VS Seal Plate	235.08	282.47
13	17351-0101S	Mechanical Seal	29.52	35.47
14	351446	Seal Plate O-Ring	7.06	8.48

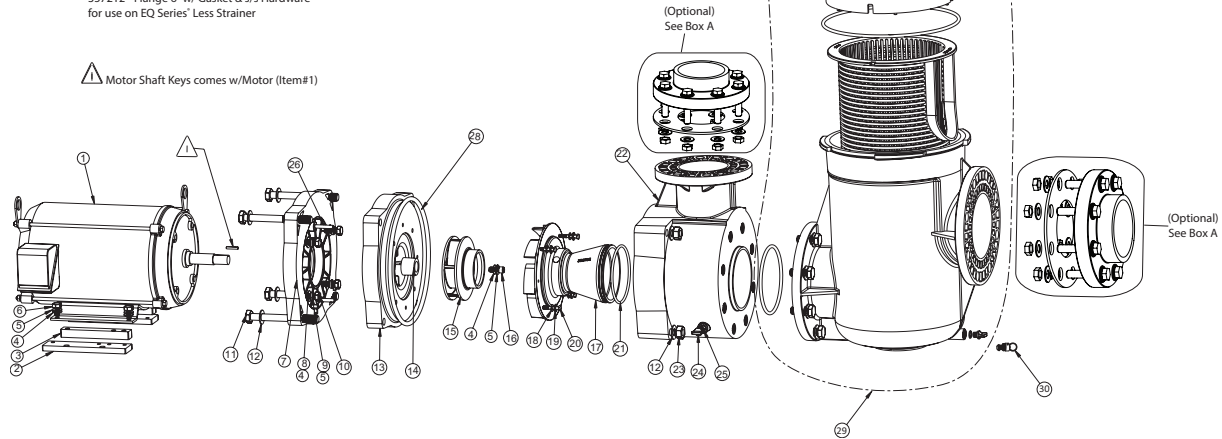
Item	Part No.	Description	US List	Can. List
15	400023Z	Impeller Assembly	154.28	185.38
16	072172	Impeller Screw Washer	0.28	0.34
17	37337-6080	Impeller Screw, Plastic-Head (pumps mfg. before 10/7/2019)	21.79	26.18
17	356073	Impeller Screw, Metal-Head (pumps mfg. after 10/7/2019)	8.53	10.25
18	400011	Diffuser	CALL	CALL
19	353323	Diffuser Screws	3.70	4.45
20	350336	Diffuser O-Ring	3.70	4.45
21	400006	WhisperFloXF VS Lid/Locking Ring Assembly	62.59	75.21
21	401006	Max-E-ProXF VS Lid/Locking Ring Assembly	62.59	75.21
22	400007Z	Strainer Basket	39.14	47.03
23	35505-1440	Lid/Locking Ring O-Ring	20.99	25.22
24	410001	2.5 in. C-Clip Locking Ring (Qty. 2)	7.93	9.53
25	411000	2.5 in. Union Nut (Qty. 2)	21.77	26.16
26	410002	2.5 in. Union Adapter w/o Tap (Qty. 2)	37.55	45.12
27	410016Z	2.5 in. Diamond Seal Kit (Qty. 2)	13.40	16.10
28	192115Z	Drain Plug O-Ring (Qty. 2)	2.86	3.44
29	071131Z	WhisperFloXF VS Drain Plug (2 req.)	6.96	8.36
29	357161Z	Max-E-ProXF VS Drain Plug (Qty. 2)	5.71	8.86
NOT SHOWN				
	353129Z	External Control Wiring Kit	100.85	121.18
	97014-4203KIT	3-inch Flowmeter Kit	CALL	CALL
	400030Z	Seal Plate Hardware and O-Ring Kit*	71.14	85.48
	400012	Riser Plate, XF to Challenger	75.10	90.24

*NOTE: HARDWARE AND O-RING KIT INCLUDES ITEM NO. 9-11 AND 14.

EQ SERIES® COMMERCIAL PLASTIC PUMP REPLACEMENT PARTS

CALIFORNIA PROPOSITION 65 WARNING
 ⚠️ **WARNING:** Cancer and Reproductive Harm.
 ⚠️ **AVERTISSEMENT:** Peut Causer le Cancer et des Dommages au Système Reproducteur.
 ⚠️ **ADVERTENCIA:** Cáncer y Daño Reproductivo.
 www.p65warnings.ca.gov. PH.2017A

Box A
 Purchase optional range kit:
 357262 - Flange 4" w/ Gasket & s/s Hardware
 357263 - Flange 6" w/ Gasket & s/s Hardware
 357212 - Flange 6" w/ Gasket & s/s Hardware for use on EQ Series' Less Strainer



Part No.	Model No.	HP	Phase	Motor Support (Item No. 2)	Additional Motor Support (Item No. 3)	Motor No. (Item No. 1)	Impeller (Item No. 15)	Diffuser (Item No. 17)
340019, 340030	EQ500	5	1	356713	356712	357065S	350030	350032
340020, 340031	EQK500	5	3	356713	356712	357068S	350030	350032
340604, 340608	EQKT500	5	3	356713	356712	350731Z	350030	350032
340021, 340032	EQ750	7-1/2	1	356713	N/A	357066S	350029	350033
340022, 340033	EQK750	7-1/2	3	356713	356712	357069S	350029	350033
340605, 340609	EQKT750	7-1/2	3	356713	N/A	350732Z	350029	350033
340237, 340238	EQ1000	10	1	356713	N/A	357063S	350028	350033
340023, 340034	EQK1000	10	3	356713	N/A	357070S	350028	350033
340606, 340610	EQKT1000	10	3	356713	N/A	350733Z	350028	350033
340024, 340035	EQK1500	15	3	356713	N/A	357071S	350027	356735
340607, 340611	EQKT1500	15	3	356713	N/A	350734Z	350027	356735
340045, 340047	EQK1000 EXPL PF, 50 Hz	10	3	356713	N/A	350112S	350027	356735
340046, 340048	EQK750 EXPL PF, 50 Hz	7-1/2	3	356713	N/A	350113S	350028	350033
340049, 350083	EQK1000, 50 Hz	10	3	356713	N/A	350153S	350027	356735
340080, 340084	EQK750, 50 Hz	7-1/2	3	356713	N/A	350154S	350028	350033
340081, 340085	EQK500, 50 Hz	5	3	356713	356712	350155S	350029	350033
340082, 340086	EQK300, 50 Hz	3	3	356713	356712	350156S	350030	350032
340014, 340026	EQW300	3	1	356713	356712	357064S	350027	356735
340016, 340027	EQWK300	3	3	356713	356712	357067S	350027	356735
340018, 340029	EQWK500	5	3	356713	356712	350158S	350070	357273
340017, 340028	EQW500	5	1	356713	356712	350159S	350070	357273
340148, 340155	EQK500 575V	5	3	356713	356712	355038S	350030	350032
340149, 340156	EQK750 575V	7-1/2	3	356713	356712	355039S	350029	350033

Call for pricing on these items.

Product on pages 230–233.

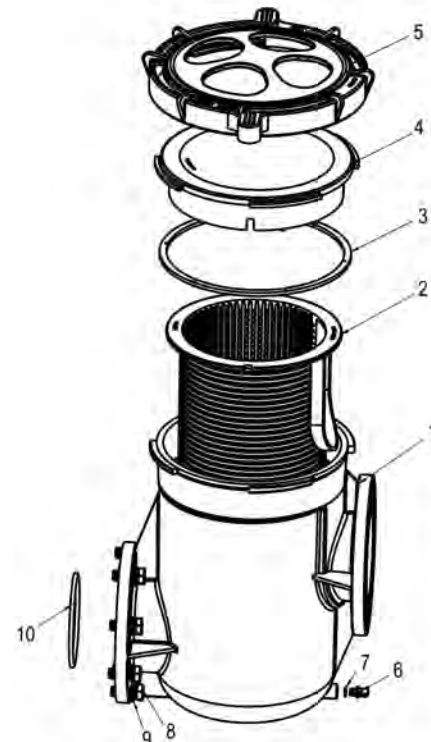
EQ SERIES® COMMERCIAL PLASTIC PUMP

REPLACEMENT PARTS

Item	Part No.	Description	US List	Can. List
EQ SERIES PUMP				
1		Motor - See Table on Prev Page		
2		Support - Motor - See Table on Prev Page		
3		Support Adapter - See Table on Prev Page		
4	072184	Washer, Flat 3/8 in. ID x 7/8 in. OD .05 Thk 18-8 s/s - (qty.51 & qty.9)	1.74	2.09
5	98220600	Washer Split Lock 3/8 in. 18-8 s/s - (qty. 51 & qty. 9)	1.74	2.09
6	A135	Screw 3/8 in.-16 x 3/4 in. Hx Hd Cap 18-8 s/s (EQ750...1PH, EQ1000, EQ1500) - (qty. 4)	14.04	16.87
6	350073	Screw 3/8 in.-16 x 1-1/2 Hx Hd Cap 18-8 s/s (EQ300, EQ500, EQ750...3PH) - (qty.4)	6.47	7.77
7	356790	Adapter - Motor - EQ Series	1161.78	1395.99
8	075842	Washer, Flat 1/2 in. ID x 1-1/4 in. OD .125 Thk 300 s/s - (qty. 4)	1.74	2.09
9	350063	Washer Split Lock 1/2 in. 18-8 s/s - (qty.4)	8.29	9.96
10	U30-74SS	Screw 3/8 in.-16 x 1 in. Hx Hd Cap 18-8 s/s (EQ300, EQ500, EQ750...3PH) - (qty. 4)	4.96	5.96
10	071687	BLT 1/2-13 x 1.25 STL HH SS (qty. 4)	7.30	8.77
11	356710	Screw 5/8 in.-11 x 6-1/2 in. Hx Hd Cap 18-8 s/s - (qty. 4)	158.65	190.63
12	356789	Washer, Flat 11/16 in. IDx1 - 5/16 in. OD .078 Thk 300 s/s (qty. 8)	1.74	2.09
13	356795	Seal Plate - EQ Series	1373.00	1649.80
14	071725S	Seal Set	57.65	69.27
15		Impeller - See Table on Prev Page		
16	071037	Screw 3/8 in.-16 x 1 in. Sckt. Hd Cap 18-8 s/s	7.48	8.99

Item	Part No.	Description	US List	Can. List
17		Diffuser - See Table on Prev Page		
18	51008500	Washer, Flat 1/4 in. 300 s/s - (qty. 4)	4.71	5.66
19	072172	Washer Split Lock 1/4 in. 18-8 s/s - (qty. 4)	0.28	0.34
20	350035	Screw 1/4 in.-20 x 1-1/2 in. Hx Hd Cap 18-8 s/s (EQ500, EQ750, EQ1000) - (qty. 4)	6.19	7.44
20	356797	Screw 1/4 in.-20 x 1-3/4 in. Hx Hd Cap 18-8 s/s (EQW300, EQ1500) - (qty. 4)	6.96	8.36
21	350037	O-ing Diffuser 3/16 in. x 4-7/8 in.	21.51	25.85
22	356755	Housing - EQ Series	4131.56	4964.48
23	356776	Nut 5/8 in.-11 Hx Brass - (qty. 5)	20.29	24.38
24	357161Z	Drain Plug	5.71	6.86
25	192115Z	O-ring Drain Plug	2.86	3.44
26	350060	Pin Dowel 5/16 in. x 1-3/4 in. 18-8 s/s - (qty. 2)	29.75	35.75
28	356780	O-ring Seal Plate 3/8 in. x 11 in. dia.	63.97	76.87
29	340013	Strainer Pot Assy Complete EQ 6 in. x 6 in.	1801.56	2164.75
30	350087	Pressure Relief Valve	79.66	95.72
NOT SHOWN				
	351137S	EQ Alignment Tool Seal Plate to Motor	296.42	356.18
	354825	Hardware Kit for 7.5 HP ODP to TEFC Motor Conversion	65.10	78.22
	355930	5HP 3-phase TEFC power end	5359.78	6440.31
	355931	7-1/2HP 3-phase TEFC power end	5956.59	7157.44
	355932	10HP 3-phase TEFC power end	6780.98	8148.03
	355933	15HP 3-phase TEFC power end	7828.92	9407.23

Item	Part No.	Description	US List	Can. List
EQ SERIES HAIR & LINT STRAINER				
1	356725	Pot EQ strainer	1400.21	1682.49
2	357184	Basket EQ strainer	257.53	309.45
3	350166	Gasket, EQ lid	25.95	31.18
4	356750	Lid EQ clear	583.63	701.29
5	350171	Clamp Cam & Ramp™ EQ (No Lid)	806.43	969.01
6	357161Z	Drain Plug	5.71	6.86
7	192115Z	O-ring drain plug	2.86	3.44
8	356788	Screw, 5/8 in., 11 x 1-3/4 in. hx hd cap 18-8 SS (qty. 8)	12.78	15.36
9	356789	Washer, flat 11/16 in. ID x 1-5/16 in. OD 0.078 thk 300 SS (qty. 8)	1.74	2.09
10	350013Z	O-ring pot flange	4.28	5.14
NOT SHOWN				
	350087	Pressure relief valve, 1/4 in. NPT	79.66	95.72

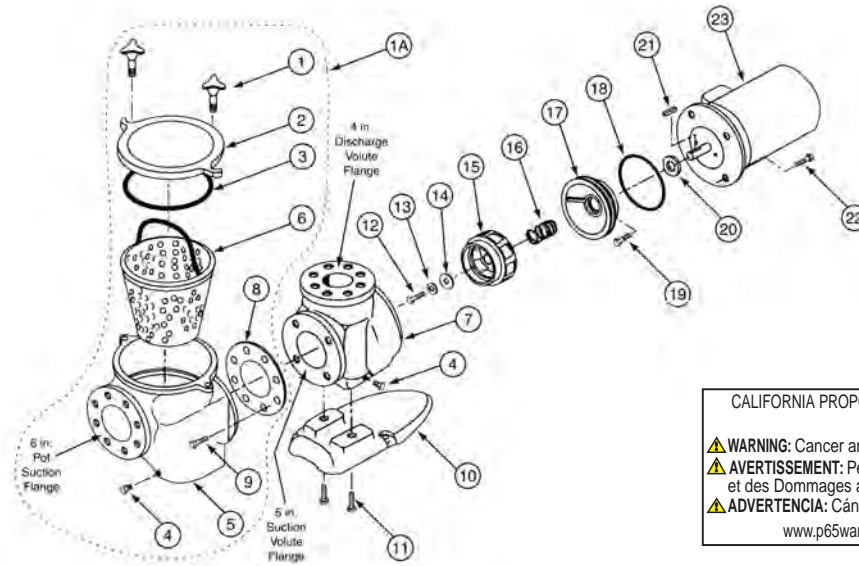


CALIFORNIA PROPOSITION 65 WARNING
 ⚠️ **WARNING:** Cancer and Reproductive Harm.
 ⚠️ **AVERTISSEMENT:** Peut Causer le Cancer et des Dommages au Système Reproducteur.
 ⚠️ **ADVERTENCIA:** Cáncer y Daño Reproductivo.
 www.p65warnings.ca.gov. 398 201514

Product on pages 230–233.

C SERIES® HIGH PERFORMANCE COMMERCIAL PUMP

REPLACEMENT PARTS



CALIFORNIA PROPOSITION 65 WARNING
 ⚠️ **WARNING:** Cancer and Reproductive Harm.
 ⚠️ **AVERTISSEMENT:** Peut Causer le Cancer et des Dommages au Système Reproducteur.
 ⚠️ **ADVERTENCIA:** Cáncer y Daño Reproductivo.
www.p65warnings.ca.gov PK32074

Item	Part No.	Ref. No.	Description	US List	Can. List
C SERIES PUMPS					
1	075280	54475280618	Hand nut assembly, bronze, 2 req.	160.42	192.76
1A	072747		C series pot assembly 1	7275.98	8742.82
2	075275	26075275219	Cover, C16, bronze	1163.54	1398.11
3	071433	3640525457	O-ring, C-18	11.00	13.22
4	071551	6000002190	Plug pipe, 1/4 in. bronze, 1 req.	6.52	7.83
5	075271Z	79675271199	Pot mach. bronze	5512.17	6623.42
6	072795	70472795100	Basket, C-29 SS 11 in.	547.42	657.78
7	075273Z	18075273199	Volute, C-2 bronze	5437.78	6534.04
8	070943	36470943603	Gasket flange, P-135, 5 in.	33.72	40.52
9	071683	1680634104	Screw, 3/4-10, 1-3/4, SS, 4 req.	42.11	50.60
10	075287	82075287632	Foot, C-4 coated	121.19	145.62
11	071688	1680558359	Screw, 5/8, 11 x 1 stl. hh., 2 req.	2.22	2.67
12	071037	1680115104	Impeller, C-35 lock screw	7.48	8.99
13	071048	90871048212	Impeller, washer, C-71	16.91	20.32
14	075713	3642034603	Impeller, washer gasket	1.74	2.09
15	073828	44473328208	Impeller, CH-50/CHK-50/CHKL-50, 5HP, 1PH, 3PH, high hd.	1795.65	2157.65
15	070228	44470228208	Impeller, CM-50/CMK-50/CMKL-50, 5HP, 1PH, 3PH, med. hd.	1795.65	2157.65
15	073829	44473829208	Impeller, CH-75/CHK-75/CHKL-75, 7.5HP, 1PH, 3PH, high hd.	1795.65	2157.65
15	070227	44470227208	Impeller, CM-75/CMK-75/CMKL-75, 7.5HP, 1PH, 3PH, med. hd.	1795.65	2157.65
15	073830	44473830208	Impeller, CH-100/CHK-100/CHKL-100, 10HP, 1PH, 3PH, high hd.	1748.44	2100.93

Item	Part No.	Ref. No.	Description	US List	Can. List
15	070226	44470226208	Impeller, CM-100/CMK-100/CMKL-100, 10HP, 1PH, 3PH, med hd.	1795.65	2157.65
15	073831	44473831208	Impeller, CHK-150/CHKL-150, 15HP, 3PH, high hd.	1795.65	2157.65
15	070225	44470225208	Impeller, CMK-150/CMKL-150, 15HP, 3PH, med hd.	1795.65	2157.65
15	073832	44473832208	Impeller, CHK-200/CHKL-200, 20HP, 3PH, high hd.	1795.65	2157.65
16	071725S	71271725753	Seal, C-7, PS-360	57.65	69.27
17	070906	11670906199	Flange, mach., C-52 brass	782.06	939.72
18	071423	3640508457	O-ring, C-70	4.36	5.24
19	071681	1680378104	Screw, 3/8, 16 x 7/8 in. CS hh., 2 req.	CALL	CALL
20	072185	7641043478	Water slinger, C-115	11.62	13.96
21	071046	4720201104	Impeller, key, 3/16 in.	29.42	35.35
22	071687	1680155113	Screw, 1/2, 13 x 1-1/4 stl. hh., 4 req.	7.30	8.77
60 HERTZ MOTORS					
23	357205S		Motor package, 5HP, 1PH, 200/208V	CALL	CALL
23	071366S	52571366999	Motor package, 5HP, 1PH, 230V	CALL	CALL
23	357206S		Motor package, 5HP, 3PH, 200/208V	CALL	CALL
23	071364S	52571364999	Motor package, 5HP, 3PH, 208-220/440	CALL	CALL
23	357207S		Motor package, 7-1/2 HP, 1PH, 200/208V	CALL	CALL
23	357204S	525357204999	Motor package, 7-1/2 HP, 1PH, 230V	CALL	CALL
23	357208S		Motor package, 7-1/2 HP, 3PH, 200/208V	CALL	CALL
23	071365S	52571365999	Motor package, 7-1/2 HP, 3PH, 208-220/440V	CALL	CALL

C SERIES® HIGH PERFORMANCE PUMP (CONT'D)

REPLACEMENT PARTS

Item	Part No.	Ref. No.	Description	US List	Can. List
C SERIES PUMPS					
60 HERTZ MOTORS (Cont'd)					
23	357247S		Motor package, 7.5HP, 3PH, 575V	CALL	CALL
23	357209S		Motor package, 10HP, 3PH, 200/208V	CALL	CALL
23	357249S		Motor package, 10HP, 1PH, 230V	CALL	CALL
23	071363S	52571363999	Motor package, 10HP, 3PH, 208-220/440V	CALL	CALL
23	357238S		Motor package, 10HP, 3PH, 575V	CALL	CALL
23	357210S		Motor package 15HP, 3PH, 200/208V	CALL	CALL
23	071361S	52571361999	Motor package, 15HP, 3PH, 208-220/440V	CALL	CALL
23	357245S		Motor package, 15HP, 3PH, 575V	CALL	CALL
23	357211S		Motor package, 20HP, 3PH, 200/208V	CALL	CALL
23	071362S	52571362999	Motor package, 20HP, 3PH, 208-220/440V	CALL	CALL
23	357246S		Motor package 20HP, 3PH, 575V	CALL	CALL
50 HERTZ MOTORS					
23	072737S	52572737999	Motor, 5HP, 3PH, 380/415V	CALL	CALL
23	072739S	52572739999	Motor, 7.5HP, 3PH, 380/415V	CALL	CALL
23	072740S	52572740999	Motor, 10HP, 3PH, 380/415V	CALL	CALL
23	072742S	52572742999	Motor, 15HP, 3PH, 380/415V	CALL	CALL
23	072744S	52572744999	Motor, 20HP, 3PH, 380/415V	CALL	CALL
Motor subassemblies include items No.12 -21 and 23					
	073260	A073260	Motor, sub assembly, CM-50	CALL	CALL
	073262	A073262	Motor, sub assembly, CMK-50 ²	CALL	CALL
	073264	A073264	Motor, sub assembly, CH-50	CALL	CALL
	073265	A073265	Motor, sub assembly, CHK-50 ²	CALL	CALL
	073263	A073263	Motor, sub assembly CMK-75 ²	CALL	CALL
	073266	A073266	Motor, sub assembly CHK-75 ²	CALL	CALL
	073680	A073680	Motor, sub assembly CMK-100 ²	10771.59	12943.14
	073267		Motor, sub assembly CHK-100 ²	CALL	CALL
	073261	A073261	Motor, sub assembly CMK-150 ²	CALL	CALL
	073268	A073268	Motor, sub assembly CHK-150 ²	CALL	CALL

Item	Part No.	Ref. No.	Description	US List	Can. List
	073269	A073269	Motor, sub assembly CHK-200 ²	CALL	CALL
	357910	A357910	Motor, sub assembly CH-75, 1PH, 230V ³	CALL	CALL
	357930	A357930	Motor, sub assembly CM-75, 1PH, 200V ³	CALL	CALL
	357935	A357935	Motor, sub assembly CH-75, 1PH, 200V ³	CALL	CALL
	357250		Motor, sub assembly CH-100, 10HP, 1PH, 230V	CALL	CALL
	357251		Motor, sub assembly CM-100, 1PH, 230V	CALL	CALL
	014700	A014700	Motor, sub assembly CMKL-50 380/415V ⁴	CALL	CALL
	014801	A014801	Motor, sub assembly CHKL-50 380/415V ⁴	CALL	CALL
	014701	A014701	Motor, sub assembly CMKL-75 380/415V ⁴	CALL	CALL
	014802	A014802	Motor, sub assembly CHKL-75 380/415V ⁴	CALL	CALL
	014702	A014702	Motor, sub assembly CMKL-100 ⁴	CALL	CALL
	014803	A014803	Motor, sub assembly CHKL-100 ⁴	CALL	CALL
	014703	A014703	Motor, sub assembly CMKL-150 ⁴	CALL	CALL
	014804	A014804	Motor, sub assembly CHKL-150 ⁴	CALL	CALL
	014805	A014805	Motor, sub assembly CHKL-200 ⁴	CALL	CALL

¹ Includes: 2 of item No. 1, 1 each of items No. 2 thru No. 6, 1 of item No. 8 and 4 of item No. 9.

² All motor subassemblies are 60 Hertz 220/440V, 3 phase.

³ All motor subassemblies are single phase 60 Hertz.

⁴ All motor subassemblies are 50 Hertz 380/415V, 3 phase.

Notes:

- All bronze C-series parts will retrofit older cast iron models.
- Standard flange not included with pump.
- For all 200/208V applications, use 200/208V motors only.

CALIFORNIA PROPOSITION 65 WARNING

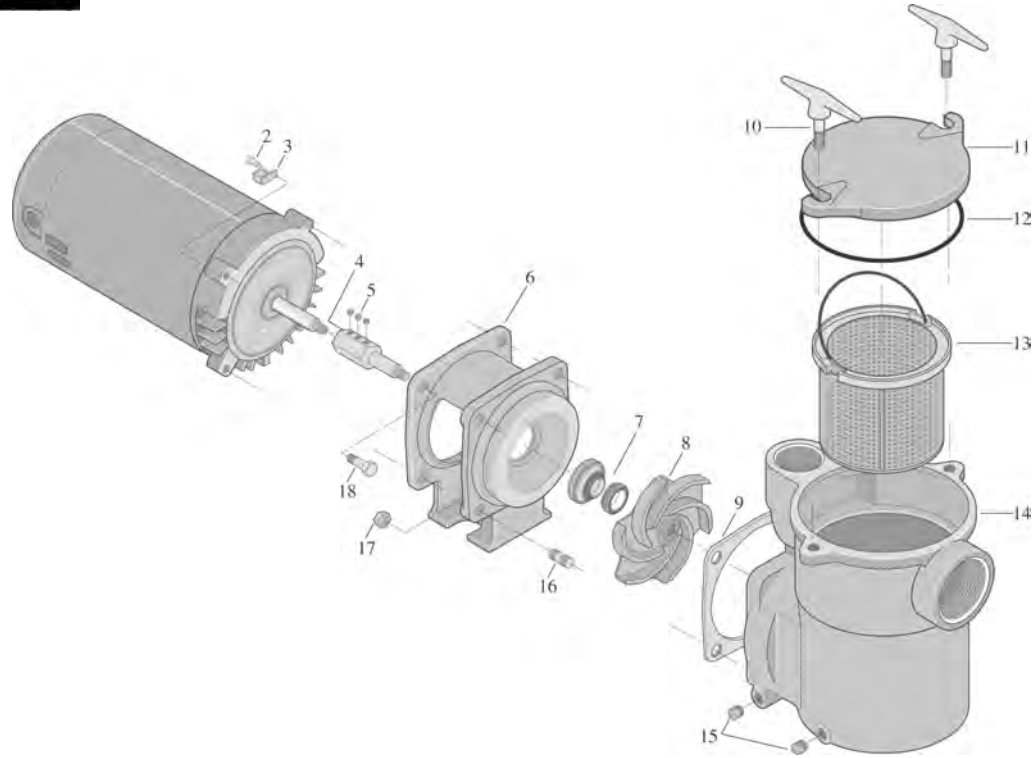
⚠ **WARNING:** Cancer and Reproductive Harm.
 ⚠ **AVERTISSEMENT:** Peut Causer le Cancer et des Dommages au Système Reproducteur.
 ⚠ **ADVERTENCIA:** Cáncer y Daño Reproductivo.

www.p65warnings.ca.gov

PR202114

Product on pages 234–237.

CF6 SERIES™ PUMP REPLACEMENT PARTS



Item	Part No.	Description	US List	Can. List
CF6 SERIES				
2	U30-692SS	Screw	2.33	2.80
3	U17-568	Bonding Lug	12.30	14.78
4	C110-17	Stub Shaft Assembly (w/ Set Screws)	149.40	179.52
5	354256	1/4-20 x 3/8 in. SS Set	3.06	3.68
6	C2-57D	Adapter	468.37	562.79
7	U109-136SS	Shaft Seal	33.90	40.73
8	C5-181D	Impeller - Model # CF6EF-811 1-1/4 HP 230V	235.62	283.12
8	C5-182D	Impeller - Model # CF6EG-821 2 HP 230V	220.13	264.51
8	C5-203D	Impeller - Model # CF6H-123 - 3 HP 230V, Model # CF6H3-123 - 3 HP 230/460V	264.79	318.17

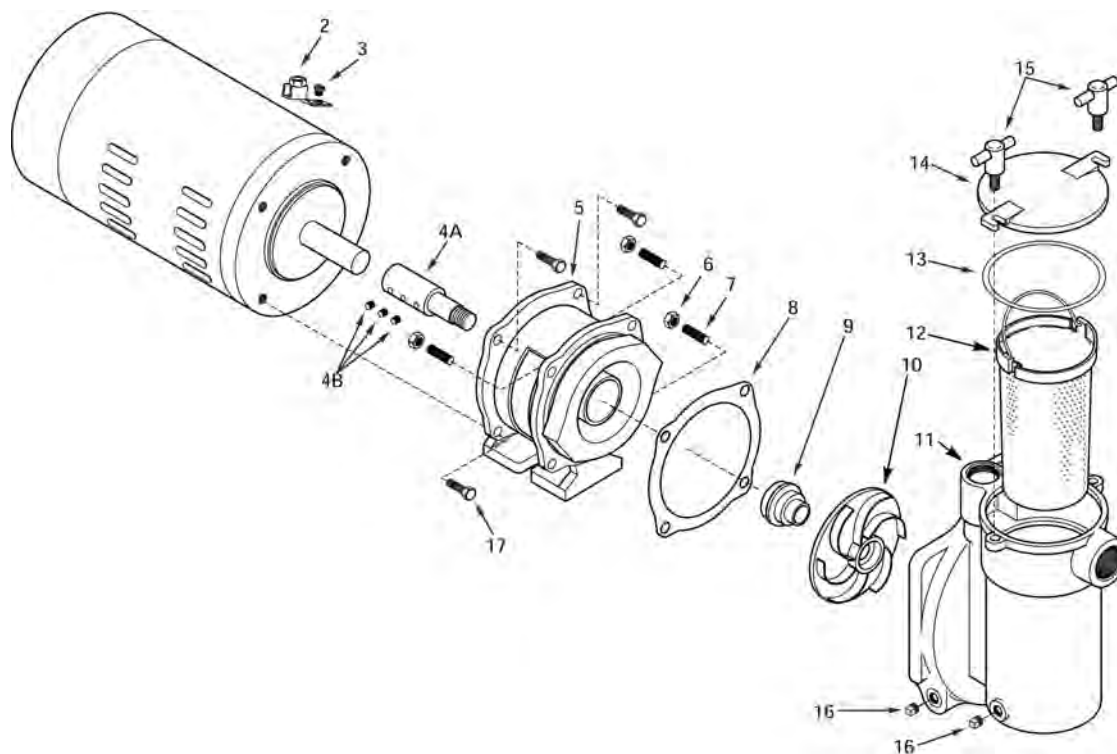
Item	Part No.	Description	US List	Can. List
9	C20-72	Gasket	4.94	5.94
10	C154-18D	Trap Handle	39.39	47.33
11	C3-78D	Trap Cover	252.52	303.43
12	U9-46	Cord Ring	13.97	16.79
13	C108-11P	Strainer Basket	37.40	44.94
14	C1-201DB	Volute & Trap Body	1335.57	1604.82
15	U78-57DT	Pipe Plug, 1/4 in. NPT	CALL	CALL
16	U30-22SS	Stud, 3/8-16 x 1-1/4 in.	8.58	10.31
18	U30-72SS	Capscrew, 3/8-16 x 5/8 in.	4.81	5.78

CALIFORNIA PROPOSITION 65 WARNING

⚠ **WARNING:** Cancer and Reproductive Harm.
 ⚠ **AVERTISSEMENT:** Peut Causer le Cancer
 et des Dommages au Système Reproducteur.
 ⚠ **ADVERTENCIA:** Cáncer y Daño Reproductivo.
www.p65warnings.ca.gov

CFA SERIES™ PUMP

REPLACEMENT PARTS



Item	Part No.	Description	US List	Can. List
CFA SERIES				
2	U17-568	Bonding Lug	12.30	14.78
3	U30-692SS	Screw, #10-32 x 1/2	2.33	2.80
4A	C110-17	Stub Shaft Assembly	CALL	CALL
4B	354256	SCR 1/4-20 x 3/8 in. SS Set	3.06	3.68
5	C2-57D	Adapter	468.37	562.79
7	U30-22SS	Stud, 3/8 x 1-1/4 in.	8.58	10.31
8	C20-72	Gasket	4.94	5.94
9	U109-136SS	Shaft Seal Package ¹	33.90	40.73
10	C5-164D	Impeller - MODEL # CFAD-75DL - 3/4 HP	CALL	CALL
10	C5-166D	Impeller - MODEL # CFAE-79DL - 1 HP	221.75	266.45
10	C5-183D	Impeller - MODEL # CFAF-80DL - 1-1/2 HP	234.86	282.21
10	C5-181D	Impeller - MODEL # CFAEG-81DL - 2 HP	235.62	283.12
10	C5-182D	Impeller - MODEL # CFAAEG-82DL - 2-1/2 HP	220.13	264.51
11	C1-185DB	Volute and Trap Body	CALL	CALL

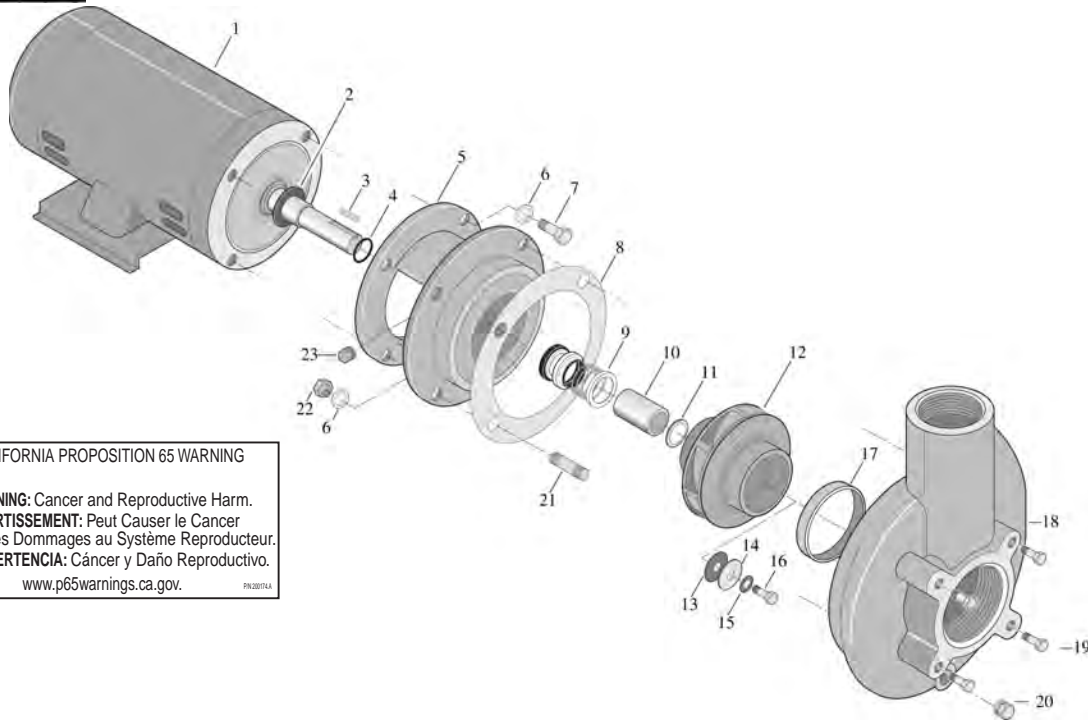
Item	Part No.	Description	US List	Can. List
12	C108-33PZ	Trap Basket	14.44	17.35
13	U9-161	Cord Ring	11.17	13.42
14	C3-140DC	Trap Cover	CALL	CALL
15	C154-18D	Trap Handle	39.39	47.33
16	U78-57DT	Pipe Plug, 1/4 in. NPT	CALL	CALL
17	U30-72SS	Capscrew 3/8-16 x 3/4 in.	4.81	5.78

CALIFORNIA PROPOSITION 65 WARNING

⚠ **WARNING:** Cancer and Reproductive Harm.
 ⚠ **AVERTISSEMENT:** Peut Causer le Cancer et des Dommages au Système Reproducteur.
 ⚠ **ADVERTENCIA:** Cáncer y Daño Reproductivo.
www.p65warnings.ca.gov

C/CC SERIES™ CENTRIFUGAL PUMP

3 HP MODEL REPLACEMENT PARTS



CALIFORNIA PROPOSITION 65 WARNING
 ⚠️ **WARNING:** Cancer and Reproductive Harm.
 ⚠️ **AVERTISSEMENT:** Peut Causer le Cancer et des Dommages au Système Reproducteur.
 ⚠️ **ADVERTENCIA:** Cáncer y Daño Reproductivo.
www.p65warnings.ca.gov PA202514

Item	Part No.	Description	US List	Can. List
CENTRIFUGAL PUMP - C/CC SERIES - 3 HP				
1	C218-177	Motor 230V/60H/1 Ph.	CALL	CALL
1	C218-178	Motor 200V/60H/3 Ph.	CALL	CALL
1	C218-179	Motor 230/460V/60H/3 Ph.	CALL	CALL
1	C218-191	Motor 200V/60H/1 Ph.	CALL	CALL
3	U65-42A	Key, Impeller	14.20	17.06
4	U9-265	O-Ring	2.89	3.47
5	C2-81	Adapter (Models: CCMH-136, CCM2H-136, CCM2H-136S, CCMH3-136S, CCM2H3-136, CCM2H3--136S, CCHH-137S, CCHH3-137S, CCH2H-137S, CCH2H3-137, CCH2H3-137S)	262.92	315.92
5	C2-81D	Adapter (Models: CMH-136, CMH3-136, CM2H-136, CM2H3-136, CHH-137, CHH3-137, CH2H3-137)	957.33	1150.33
6	U43-12ZP	Lockwasher, 3/8 in.	1.63	1.96
7	U30-73ZP	Capscrew, 3/8-16 x 7/8 in.	CALL	CALL
8	C20-77	Gasket	CALL	CALL
9	U109-433SS	Shaft Seal (Replaces U109-220, effective 8/00)	151.12	181.59
10	C23-58	Shaft Sleeve	143.00	171.83
11	C20-101	Gasket, Sleeve	3.67	4.41
12	C105-224DG	Impeller (Silicon Brass) (Models: CCMH-136, CCM2H-136, CCM2H-136S, CCMH3-136S, CCM2H3-136, CCM2H3-136S, CMH-136, CMH3-136, CM2H-136, CM2H3-136)	870.18	1045.61
12	C105-224DF	Impeller (Silicon Brass) (Models: CCHH-137S, CCHH3-137S, CCH2H-137S, CCH2H3-137, CCH2H3-137S, CHH-137, CHH3-137, CH2H3-137)	835.23	1003.61

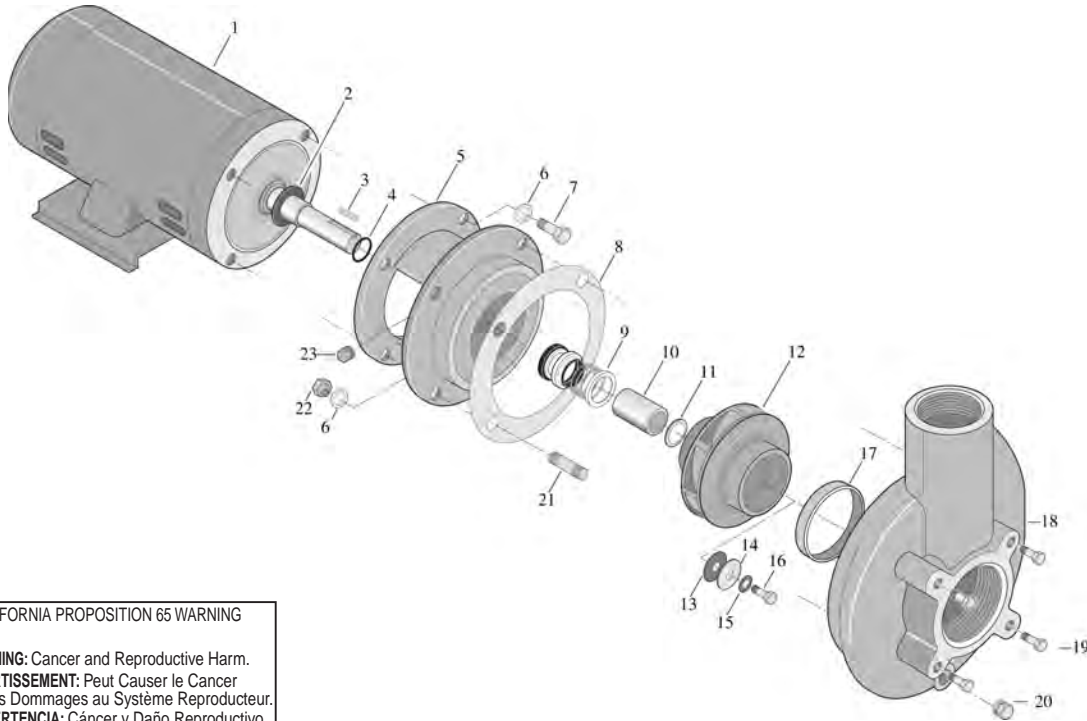
Item	Part No.	Description	US List	Can. List
13	C20-100	Gasket, Impeller	3.67	4.41
14	C43-45SS	Washer, Impeller	7.08	8.51
15	C43-46	Washer, Stat-O-Seal	6.31	7.58
16	U30-72SS	Screw, Impeller 3/8-16 x 3/4 in.	4.81	5.78
17	C23-40	Wear Ring Only	116.88	140.44
18	C101-167	Volute Assembly (Incl. 17 Only) (Models CCMH-136, CCM2H-136, CCM2H-136S, CCMH3-136S, CCM2H3-136, CCM2H3-136S, CCHH-137S, CCHH3-137S, CCH2H-137S, CCH2H3-137, CCH2H3-137S)	531.35	638.47
18	C101-167D	Volute Assembly (Incl. 17 Only) (Models CMH-136, CMH3-136, CM2H-136, CM2H3-136, CHH-137, CHH3-137, CH2H3-137)	1631.89	1960.88
20	U78-941ZPV	Pipe Plug, 1/4 in. NPT, Hex Head	1.84	2.21
21	U30-22SS	Stud, 3/8-16 x 1/16 in.	8.58	10.31
22	U36-38ZP	Nut, Hex 3/8 x 16 - (Models CCMH-136, CCM2H-136, CCM2H-136S, CCMH3-136S, CCM2H3-136, CCM2H3--136S, CCHH-137S, CCHH3-137S, CCH2H-137S, CCH2H3-137, CCH2H3-137S)	CALL	CALL
23	U78-57SSS	Pipe Plug, 1/4 in. NPT	9.86	11.85

Note: Model numbers with a "3" in them indicate a 3-Phase motor. Model numbers with a "2" in them indicate a 200V motor.

Note: C Series with different hydraulic numbers (CCMH-93) are older models that use different parts. Consult factory for older models.

C/CC SERIES™ CENTRIFUGAL PUMP

5 HP MODEL REPLACEMENT PARTS



CALIFORNIA PROPOSITION 65 WARNING

⚠️ **WARNING:** Cancer and Reproductive Harm.
 ⚠️ **AVERTISSEMENT:** Peut Causer le Cancer et des Dommages au Système Reproducteur.
 ⚠️ **ADVERTENCIA:** Cáncer y Daño Reproductivo.

www.p65warnings.ca.gov. P8.201744

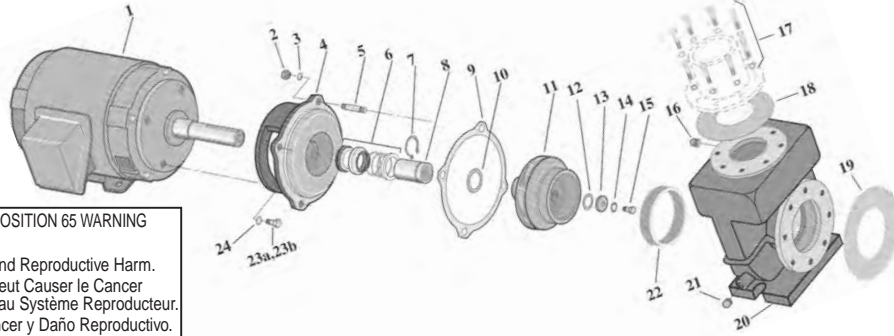
Item	Part No.	Description	US List	Can. List
CENTRIFUGAL PUMP - C/CC SERIES 5 HP				
1	C218-180	Motor 230V/60H/1 Ph.	CALL	CALL
1	C218-182	Motor 230/460V/60H/3 Ph.	CALL	CALL
1	C218-181	Motor 200V/60H/3 Ph.	CALL	CALL
3	U65-42A	Key, Impeller	14.20	17.06
4	U9-265	O-Ring	2.89	3.47
5	C2-81	Adapter (Models: CCHJ-138, CCHJ138S, CCHJ3-138S, CCH2J3-138S)	262.92	315.92
5	C2-81D	Adapter (Models: CHJ-138, CH2J3-138, CH2J3-138)	957.33	1150.33
6	U43-12ZP	Lockwasher, 3/8 in.	1.63	1.96
7	U30-73ZP	Capscrew, 3/8-16 x 7/8 in.	CALL	CALL
8	C20-77	Gasket	CALL	CALL
9	U109-433SS	Shaft Seal	151.12	181.59
10	C23-58	Shaft Sleeve	143.00	171.83
11	C20-101	Gasket, Sleeve	3.67	4.41
12	C105-224DE	Impeller (Silicon Brass)	855.46	1027.92
13	C20-100	Gasket, Impeller	3.67	4.41
14	C43-45SS	Washer, Impeller	7.08	8.51
15	C43-46	Washer, Stat-O-Seal	6.31	7.58
16	U30-72SS	Screw, Impeller 3/8-16 x 3/4 in.	4.81	5.78

Item	Part No.	Description	US List	Can. List
17	C23-40	Wear Ring Only	116.88	140.44
18	C101-167	Volute Assembly (Incl. 17 Only) (Models: CCHJ-138, CCHJ138S, CCHJ3-138S, CCH2J3-138S)	531.35	638.47
18	C101-167D	Volute Assembly (Incl. 17 Only) (Models: CHJ-138, CH2J3-138, CH2J3-138)	1631.89	1960.88
20	U78-941ZPV	Pipe Plug, 1/4 in. NPT, Hex Head	1.84	2.21
21	U30-22SS	Stud, 3/8 - 16 x 1-1/4 in.	8.58	10.31
22	U36-38ZP	Nut, Hex 3/8 x 16 in. (Models: CCHJ-138, CCHJ138S, CCHJ3-138S, CCH2J3-138S)	CALL	CALL
23	U78-57SSS	Pipe Plug, 1/4 in. NPT	9.86	11.85

Note: Model numbers with a "3" in them indicate a 3-Phase motor. Model numbers with a "2" in them indicate a 200V motor.

Note: C Series with different hydraulic numbers (CCMH-93) are older models that use different parts. Consult factory for older models.

CSPH/CCSPH SERIES™ PUMP REPLACEMENT PARTS



CALIFORNIA PROPOSITION 65 WARNING
 ⚠️ **WARNING:** Cancer and Reproductive Harm.
 ⚠️ **AVERTISSEMENT:** Peut Causer le Cancer et des Dommages au Système Reproducteur.
 ⚠️ **ADVERTENCIA:** Cáncer y Daño Reproductivo.
 www.p65warnings.ca.gov.

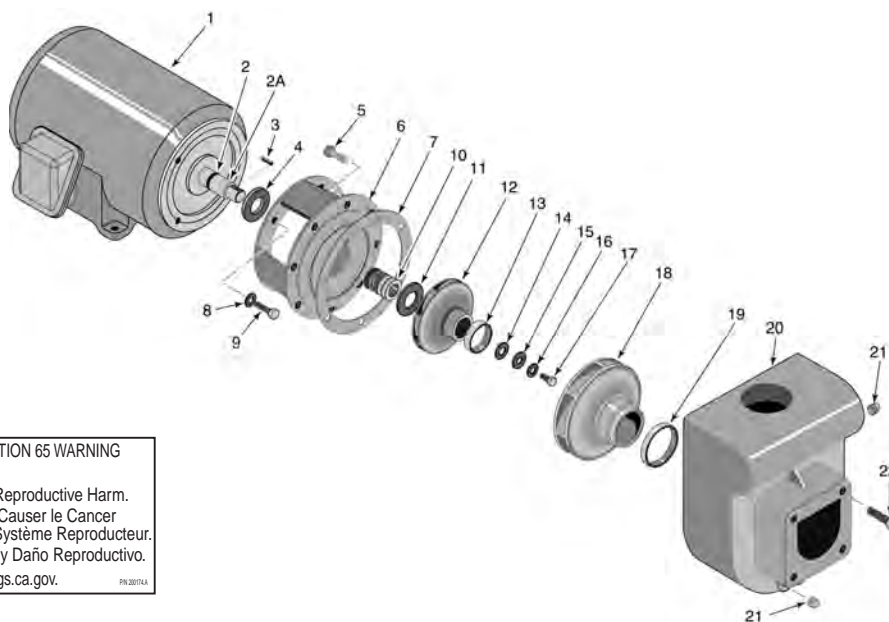
Item	Part No.	Description	US List	Can. List
230 VOLT/1 PHASE OR 230/460 VOLT/3 PHASE				
1	S22351	Motor 230V/1 Ph. - 7-1/2 HP (Models: CSPHK-1421, CCSPHK-1421, CSPHK3-1422, CCSPHK3-1422)	CALL	CALL
1	62500-0101	Motor 230V/1 Ph. - 10 HP (Models: CSPHL-143, CCSPHL-143M, CSPHL3-1431, CCSPHL3-1431)	CALL	CALL
1	S22353	Motor 230V/3 Ph. - 7-1/2 HP (Models: CSPHK-1421, CCSPHK-1421, CSPHK3-1422, CCSPHK3-1422)	CALL	CALL
1	S22356	Motor 230V/3 Ph. - 10 HP (Models: CSPHL-143, CCSPHL-143M, CSPHL3-1431, CCSPHL3-1431)	CALL	CALL
1	S22357	Motor 230V/3 Ph. - 15 HP (Models: CSPHM3-1441, CCSPHM3-1441)	CALL	CALL
1	S28574	Motor 230V/3 Ph. - 20 HP (Models: CSPHN3-1451, CCSPHN3-1451)	CALL	CALL
1	16830-0320	Motor 230V/3 Ph. 7-1/2 HP (Models: CSPH2K3-142, CSPH2K3-142)	CALL	CALL
1	16831-0320	Motor 200V/3 Ph. - 10 HP (Models: CSPH2L3-143, CCSPH2L3-143)	CALL	CALL
1	16832-0320	Motor 200V/3 Ph. - 15 HP (Models: CSPH2M3-144, CCSPH2M3-144)	CALL	CALL
1	16833-0320	Motor 200V/3 Ph. - 20 HP (Models: CSPH2N3-145, CCSPH2N3-145)	CALL	CALL
2	S23488	Nut, 1/2 in.	4.96	5.96
3	U43-13SS	Lockwasher, 1/2 in.	CALL	CALL
3	U43-12SS	Lockwasher, 3/8 in. ²	3.00	3.60
4	L05329	Bracket - 7-1/2 HP (3 Ph. Models)	340.87	409.59
4	L05328	Bracket - 10 HP (CSPH, CSPH2 Models) - 15 HP (CSPH, CSPH2 Models) - 7-1/2 HP (CSPH, CSPH2 Models)	351.00	421.76
4	L05779	Bracket - 20 HP (CSPH, CSPH2 Models)	629.41	756.30
4	16830-2201	Bracket - 7-1/2 HP (3 Ph. Models)	1505.99	1809.60
4	16830-2203	Bracket - 10 HP (CCSPH, CCSPH2 Models) - 15 HP (CCSPH, CCSPH2 Models) - 7-1/2 HP (CCSPH, CCSPH2 Models)	1617.78	1943.92
4	16830-2202	Bracket - 20 HP (CCSPH, CCSPH2 Models)	1179.67	1417.49
5	30747-0152	Stud, 1/2-13 x 1-1/2 in.	33.22	39.92
6	S32014	Mechanical Shaft Seal	168.11	202.00
6	S32015	Mechanical Shaft Seal - 20 HP	362.47	435.54
7	S11207	Retaining Ring	22.00	26.44

Item	Part No.	Description	US List	Can. List
7	S16767	Retaining Ring - 20 HP (Models: CSPHN3-1451, CCSPHN3-1451)	48.89	58.75
8	37447-0001L	Shaft Sleeve	CALL	CALL
8	37447-0002L	Shaft Sleeve - 20 HP	CALL	CALL
9	S04757	Gasket (Volute to Bracket)	17.12	20.57
10	33455-8044	Gasket (Impeller to Shaft Sleeve)	8.24	9.90
10	33455-8046	Gasket (Impeller to Shaft Sleeve) - 20 HP	8.24	9.90
11	16830-0209	Impeller - 7-1/2 HP	1662.22	1997.32
11	16830-0210	Impeller - 10 HP	1498.70	1800.84
11	16830-0211	Impeller - 15 HP	1712.63	2057.90
11	16830-0212	Impeller - 20 HP	2056.81	2471.46
12	33455-8043	Gasket (Impeller to Washer)	8.24	9.90
12	33455-8045	Gasket (Impeller to Washer) - 20 HP	8.24	9.90
13	38917-0203	Impeller Washer	75.71	90.97
13	38917-0204	Impeller Washer - 20 HP (Models: CSPHN3-1451, CCSPHN3-1451)	90.85	109.17
14	C43-46SS	Stat-O-Seal Washer	19.10	22.95
14	C43-46SSA	Stat-O-Seal Washer - 20 HP (Models: CSPHN3-1451, CCSPHN3-1451)	24.31	29.21
15	S23566	Capscrew, 3/8-16 x 1 in. ¹	CALL	CALL
15	S23619	Capscrew, 1/2-13 x 1 in. ²	7.91	9.50
16	U78-57DT	Pipe Plug 1/4 in. NPT	CALL	CALL
17	16830-0400	Hardware Kit	86.40	103.82
18	33450-8042	Gasket (Volute Discharge)	20.16	24.22
19	33450-8041	Gasket (Volute Suction)	28.31	34.02
20	16830-0100	Volute (CSPH, CSPH2)	4047.61	4863.61
20	16830-2102	Volute (CCSPH) - 7-1/2 HP, 10 HP	7360.51	8844.39
20	16830-2103	Volute (CCSPH) - 15 HP, 20 HP ¹	7410.09	8903.96
20	16830-0100	Volute (CSPH2, CSPH2)	4047.61	4863.61
20	16830-2102	Volute (CCSPH2) - 7-1/2 HP, 10 HP	7360.51	8844.39
21	U78-59D	Drain Plug, 1/2 in. NPT	11.10	13.34
22	16830-0120	Wear Ring	127.85	153.62
23A	S23619	Capscrew, 1/2-13 x 1 in. ¹	7.91	9.50
23B	S23566	Capscrew, 3/8-16 x 1 in. ²	CALL	CALL
24	U43-13SS	Lockwasher, 1/2 in.	CALL	CALL

¹ 7-1/2 HP; 1 Phase only.

² 3 Phase only.

D SERIES™ PUMP REPLACEMENT PARTS



CALIFORNIA PROPOSITION 65 WARNING
 ⚠️ WARNING: Cancer and Reproductive Harm.
 ⚠️ AVERTISSEMENT: Peut Causer le Cancer et des Dommages au Système Reproducteur.
 ⚠️ ADVERTENCIA: Cáncer y Daño Reproductivo.
 www.p65warnings.ca.gov

Item	Part No.	Description	US List	Can. List
SELF PRIMING CENTRIFUGAL PUMP - D SERIES				
1	C218-177	Motor 230V/60H/1 Ph. DMH Medium Head: 3 HP, High Head: 3 HP	CALL	CALL
1	C218-180	Motor 230V/60H/1 Ph. DMJ Medium Head: 5 HP, High Head: 5 HP	CALL	CALL
1	C218-179	Motor 230/460V/60H/3 Ph. DMH Medium Head: 3 HP, High Head: 3 HP	CALL	CALL
1	C218-182	Motor 230/460V/60H/3 Ph. DMJ Medium Head: 5 HP, High Head: 5 HP	CALL	CALL
1	C218-191	Motor 200V/60H/1 Ph. DMH Medium Head: 3 HP, High Head: 3 HP	CALL	CALL
1	C218-192	Motor 200V/60H/1 Ph. DMJ Medium Head: 5 HP, High Head: 5 HP	CALL	CALL
1	C218-178	Motor 200V/60H/3 Ph. DMH Medium Head: 3 HP, High Head: 3 HP	CALL	CALL
1	C218-181	Motor 200V/60H/3 Ph. DMJ Medium Head: 5 HP, High Head: 5 HP	CALL	CALL
2	U9-265	O-Ring	2.89	3.47
2A	C23-58	Sleeve	143.00	171.83
3	U65-42A	Key, Square 3/16 x 3/16 x 7/8 in.	14.20	17.06
4	N/A		CALL	CALL
5	071681	Screw 3/8 x 16 x 7/8 in. HH	CALL	CALL
6	C2-66	Motor Adapter	341.73	410.62
7	C20-46	Gasket, Adapter	9.45	11.36
8	U43-12ZP	Lockwasher, 3/8 in. ¹	1.63	1.96
9	U30-73ZP	Capscrew, 3/8-16 x 7/8 in.	CALL	CALL
10	U109-433SS	Shaft Seal ³	151.12	181.59
11	C20-101	Gasket, Seal	3.67	4.41
12	C5-246	Impeller ² - Medium Head: 3 HP	899.07	1080.32
12	C5-247	Impeller ² - Medium Head: 5 HP	890.66	1070.22

Item	Part No.	Description	US List	Can. List
12	C5-248	Impeller ² - High Head: 3 HP	884.64	1062.98
12	C5-249	Impeller ² - High Head: 5 HP	835.23	1003.61
13	J23-5	Wear Ring (Only)	33.48	40.23
13	C23-14	Wear Ring (Only) - Medium Head: 5 HP	40.69	48.89
14	C20-100	Gasket	3.67	4.41
15	C43-45SS	Washer, Impeller	7.08	8.51
16	C43-46	Gasket	6.31	7.58
17	U30-72SS	Screw, Impeller 3/8-16 x 3/4 in. ¹	4.81	5.78
18	C101-126	Volute Diffuser w/ Wear Ring Medium Head: 3 HP	204.64	245.90
18	C101-126B	Volute Diffuser w/ Wear Ring Medium Head: 5 HP	213.54	256.59
18	C101-132	Volute Diffuser w/ Wear Ring High Head: 3 HP, High Head: 5 HP	213.54	256.59
19	C21-2	Diffuser Ring	6.55	7.87
20	C76-12	Pump Body Medium Head: 3 HP, High Head: 5 HP	910.89	1094.53
20	C76-12C	Pump Body - Medium Head: 5 HP	983.63	1181.93
20	C76-12B	Pump Body - High Head: 3 HP	905.10	1087.57
21	U78-941ZPV	Pipe Plug, 1/4 in. NPT ¹	1.84	2.21
22	U30-60ZP	Capscrew 5/16-18 x 3/4 in.	1.43	1.72
NOT SHOWN				
	U212-68T	Draincock, 1/4 in. NPT [*]	6.64	7.98

¹ Purchase locally.

² Change effective 6/97.

³ Replaces U109-220 (effective 8/00).

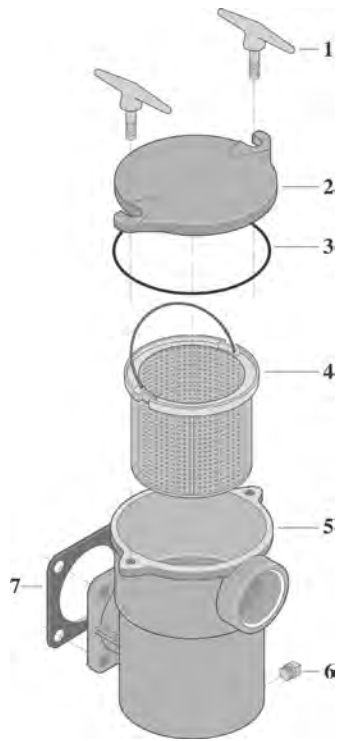
Note: D Series with different numbers (i.e. DMH-64) use different parts. Consult factory for older models.

CAST IRON SUCTION TRAP ASSEMBLY

REPLACEMENT PARTS



PACKAGE
No. 51
No. 98
No. 74



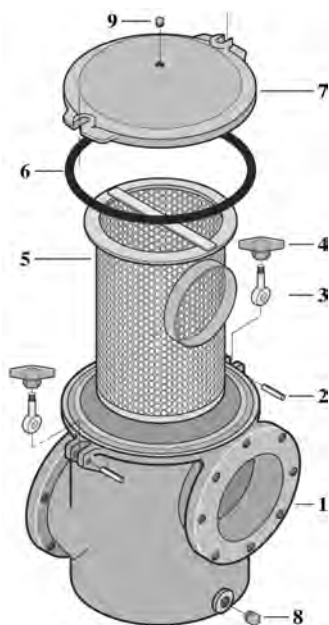
CALIFORNIA PROPOSITION 65 WARNING

⚠ **WARNING:** Cancer and Reproductive Harm.
 ⚠ **AVERTISSEMENT:** Peut Causer le Cancer et des Dommages au Système Reproducteur.
 ⚠ **ADVERTENCIA:** Cáncer y Daño Reproductivo.
www.p65warnings.ca.gov PR32071A

Item	Part No.	Description	US List	Can. List
PKG. 51 6-IN. TRAP REPLACEMENT PARTS				
1	C154-18D	Handle Assembly ¹	39.39	47.33
2	C3-30	Cover	89.82	107.93
3	U9-46	Cord Ring	13.97	16.79
4	C108-11P	Strainer Basket	37.40	44.94
5	C53-5B	Trap Body	295.11	354.60
6	U78-57DT	Pipe Plug, 1/4 in. NPT	CALL	CALL
7	C20-19	Gasket	3.32	3.99
PKG. 98 8-IN. TRAP REPLACEMENT PARTS				
1	C154-18D	Handle Assembly ¹	39.39	47.33
2	C3-105	Cover	220.18	264.57
3	U9-171	Cord Ring	18.72	22.49
4	16401-0030	Strainer Basket	467.91	562.24
5	C53-21	Trap Body	841.88	1011.60
6	U78-57DT	Pipe Plug, 1/4 in. NPT	CALL	CALL
7	C20-19	Gasket	3.32	3.99
PKG. 74 11-IN. TRAP REPLACEMENT PARTS				
1	C154-18D	Handle Assembly ¹	39.39	47.33
2	C3-76	Cover	CALL	CALL
3	U9-105	Cord Ring	CALL	CALL
4	C108-25SS	Strainer Basket	CALL	CALL
5	-	Trap Body	CALL	CALL
6	U78-57DT	Pipe Plug, 1/4 in. NPT	CALL	CALL
7	C20-19	Gasket	3.32	3.99

¹ 6 in. - Pkg. 51 has 2 each; 8 in. - Pkg. 98 has 4 each; 11 in. - Pkg. 74 has 4 each.

PACKAGE
No. 184
No. 184C
No. 184E
No. 184CE



Item	Part No.	Description	US List	Can. List
STANDARD FLANGE REPLACEMENT PARTS				
1	16401-0010	Strainer Body (Pkg. 184, 184E)	3860.78	4639.11
1	16401-2015	Strainer Body (Pkg. 184C, 184CE) ¹	CALL	CALL
2	35857-0031	Spring Pin	20.16	24.22
3	30767-0011	Toggle Bolt	332.80	399.89
4	35404-0319	Wing Nut	84.03	100.97
5	16401-0102	Strainer Basket	1529.45	1837.79
6	35505-0421	O-Ring	104.13	125.12
7	16401-0210	Strainer Cover (Pkg. 184, 184E)	830.31	997.70
7	16401-2215	Strainer Cover (Pkg. 184C, 184CE) ¹	1788.02	2148.48
8	U78-59D	Pipe Plug, 1/2 in. Square Head Brass	11.10	13.34
NOT SHOWN				
	33450-8041	Gasket, 6 in. Pipe Flange	28.31	34.02
	16830-0401	Hardware Kit (includes 16 each 3/4 in. lockwashers, 3/4-10 x 2 in. Capscrews)	251.31	301.97
	61002-0012	Tag, Hazardous Suction	CALL	CALL

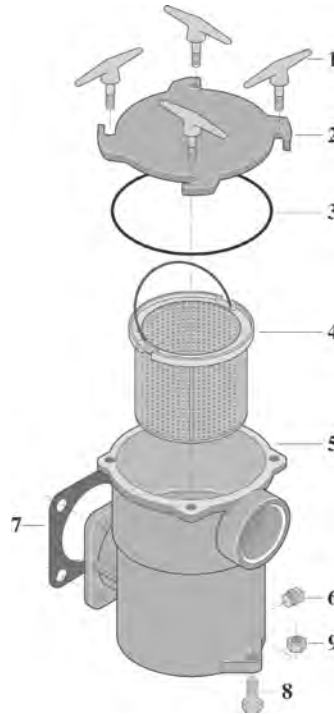
¹ Epoxy coated.

BRONZE SUCTION TRAP ASSEMBLY

REPLACEMENT PARTS



**PACKAGE
No. 56
No. 99**



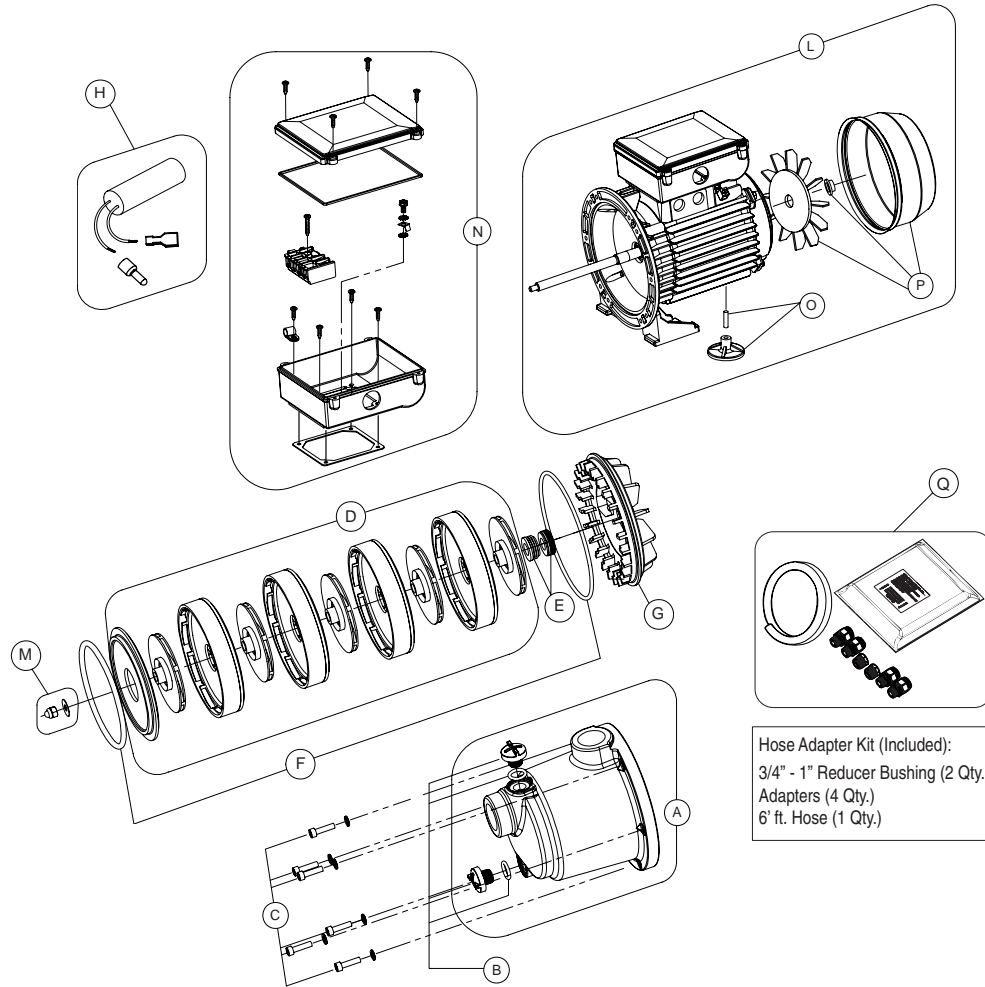
Item	Part No.	Description	US List	Can. List
BRONZE TRAP REPLACEMENT PARTS				
1	C154-18D	Lock Handle Assembly	39.39	47.33
2	C3-78D	Cover (Pkg. 56)	252.52	303.43
2	C3-105D	Cover (Pkg. 99)	698.75	839.62
3	U9-46	O-Ring (Pkg. 56)	13.97	16.79
3	U9-171	O-Ring (Pkg. 99)	18.72	22.49
4	C108-11P	Strainer Basket (Pkg. 56)	37.40	44.94
4	16401-0030	Strainer Basket (Pkg. 99)	467.91	562.24
5	C53-5D	Suction Trap Body (Pkg. 56)	CALL	CALL
5	C53-21D	Suction Trap Body (Pkg. 99)	CALL	CALL
6	U78-57DT	Pipe Plug, 1/4 in. NPT	CALL	CALL
7	C20-19	Gasket, Flange	3.32	3.99
8	U30-77SS	Capscrew, 3/8-16 x 1-3/4 in.	6.25	7.51
9	U36-38ZP	Nut, Hex 3/8-16	CALL	CALL

CALIFORNIA PROPOSITION 65 WARNING

⚠ **WARNING:** Cancer and Reproductive Harm.
 ⚠ **AVERTISSEMENT:** Peut Causer le Cancer et des Dommages au Système Reproducteur.
 ⚠ **ADVERTENCIA:** Cáncer y Daño Reproductivo.
www.p65warnings.ca.gov

BOOST-RITE® BOOSTER PUMP

REPLACEMENT PARTS



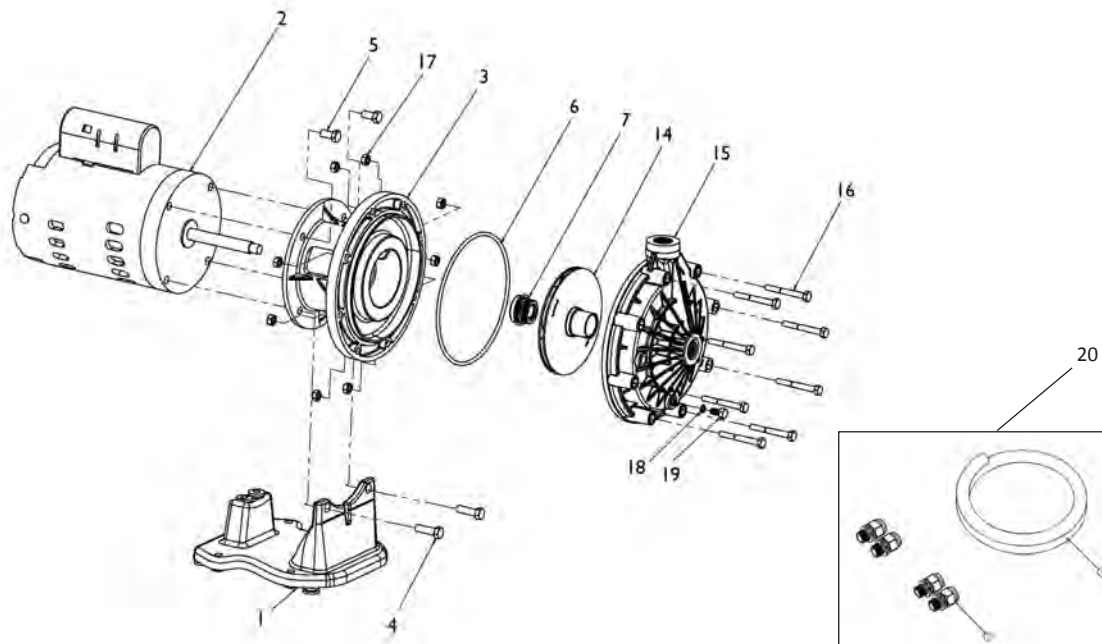
Hose Adapter Kit (Included):
 3/4" - 1" Reducer Bushing (2 Qty.)
 Adapters (4 Qty.)
 6' ft. Hose (1 Qty.)

Item	Part No.	Qty.	Description	US List	Can. List
BOOSTER PUMP					
A	ZBR39320	1	Pump Body Kit w/Drain Plugs	70.05	84.17
B	ZBR12160	2	Drain Plugs with O-Ring Kit - includes (2) drain plugs and (2) O-Rings	22.95	27.58
C	ZBR12170	1	Body Pump Fasteners Kit	19.43	23.35
D	ZBR39330	1	Hydraulic Kit	145.39	174.70
E	ZBR43920	1	Mechanical Seal Kit	34.34	41.26
F	ZBR12200	1	O-Ring Kit	22.66	27.23
G	ZBR12210	1	Seal Plate Kit	34.20	41.09
H	ZBR39340	1	Capacitor Kit	30.98	37.23
L	ZBR39360	1	Complete Motor Assembly	446.42	536.42
M	ZBR12270	1	End Shaft Fasteners Kit	21.42	25.74
N	ZBR39350	1	Capacitor Box Complete Kit	CALL	CALL
O	ZBR26910	1	Base Kit	16.21	19.48
P	ZBR43810	1	Fan Kit	32.07	38.54
Q	353040	1	Hose Kit	72.54	87.16

CALIFORNIA PROPOSITION 65 WARNING
 ⚠️ **WARNING:** Cancer and Reproductive Harm.
 ⚠️ **AVERTISSEMENT:** Peut Causer le Cancer et des Dommages au Système Reproducteur.
 ⚠️ **ADVERTENCIA:** Cáncer y Daño Reproductivo.
 www.p65warnings.ca.gov. P#201714

Product on page 246.

BOOSTER PUMP REPLACEMENT PARTS



Item	Part No.	Qty.	Description	US List	Can. List
BOOSTER PUMP					
1	LA41	1	Pump stand 99, complete with rubber grommets	37.92	45.56
2	LA10NS	1	Motor, 230/115 V, 1 ph, 60 hz, 6.5/13 A	CALL	CALL
3	LA295 *	1	Seal bracket	157.77	189.58
4	LA136	2-PK	Bolt 3/8-16 x 1-1/4 in., 2 req.	CALL	CALL
5	LA135	2-PK	Bolt 3/8-16 x 3/4 in., 2 req.	CALL	CALL
6	LA415 *	1	O-ring for seal bracket	4.29	5.15
7	071734S	1	Seal (PS1000) - Set includes both cap and bellows	34.31	41.23
14	LA05L *	1	Impeller (new style)	48.90	58.76
14	LA02L	1	Impeller (old style)	45.93	55.19
15	LA39534 *	1	Volute	62.46	75.05
16	LA115	2-PK	Bolt	3.98	4.78
17	LA125	2-PK	Nut	3.83	4.60
18	LA375 *	1	O-ring for drain plug	1.21	1.45
19	EB20 *	2-PK	Drain plug	3.72	4.47
20	353020	1	Hose kit: 4 plastic fittings and 1-6 ft. white hose. (built after 2005)	54.84	65.90
NOT SHOWN					
	LD10	2-PK	Hose washer (built prior to 2005), steel with black hose	1.72	2.07
	370239	1	Adapter Kit - 4 hose adapters in a bag; no hose	37.18	44.68

* Recommended for stock.

Note: Pumps and replacement motors that are single speed and one (1) Total HP or greater cannot be sold, offered for sale, or installed in a residential pool for filtration use in California, Title 20 CCR sections 1601-1609.

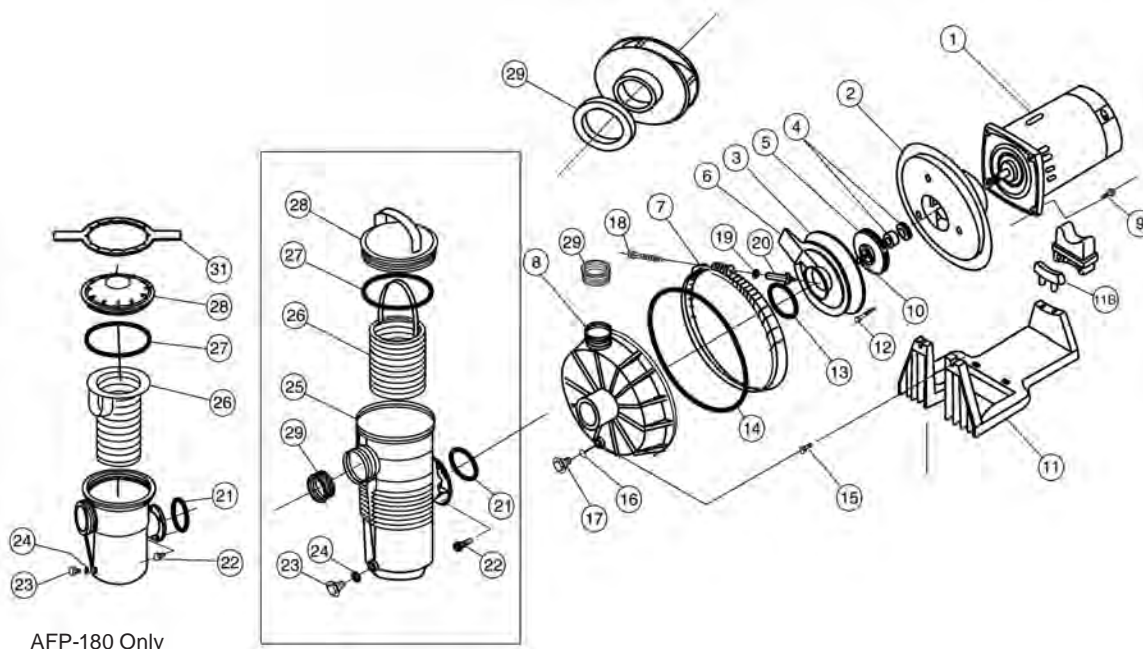
CALIFORNIA PROPOSITION 65 WARNING

⚠ **WARNING:** Cancer and Reproductive Harm.
 ⚠ **AVERTISSEMENT:** Peut Causer le Cancer et des Dommages au Système Reproducteur.
 ⚠ **ADVERTENCIA:** Cáncer y Daño Reproductivo.

www.p65warnings.ca.gov. P1K2017LA

Product on page 247.

WATERFALL SPECIALTY PUMP REPLACEMENT PARTS



AFP-180 Only

Item	Part No.	Description	US List	Can. List
WATERFALL PUMPS				
1	355218S	Motor, AF-75 & 120, AFP-75 & 120, 37 lbs.	CALL	CALL
1	355222S	Motor, AF-180, AFP-150 & 180, 35 lbs.	CALL	CALL
2	355004	Plate, seal	115.01	138.20
3	355317	Plate, mounting AF-75, AFP-75	16.87	20.27
3	355495	Plate, mounting AF-120 & 180, AFP-120, 150 & 180	15.58	18.72
4	354545S	Seal, 5/8 in. mechanical, PS 200	32.40	38.93
5	355544	Impeller AF-75, AFP-75	83.61	100.47
5	355068	Impeller AF-120, AFP-120	62.83	75.50
5	355221	Impeller AF-180, AFP-150 & 180	61.07	73.38
6	355545	Diffuser AF-75, AFP-75	62.46	75.05
6	355069	Diffuser AF-120, AFP-120	42.32	50.85
6	355140	Diffuser AF-180, AFP-150 & 180	57.06	68.56
7	355320	Band, clamp assembly complete	98.09	117.86
8	355302	Housing, front	232.30	279.13
9	U30-74SS	Screw, 3/8 in.-16 SS hex hd., 4 req.	4.96	5.96
10	355389	Screw, impeller locking	1.74	2.09
11	355305	Base, pump ¹	55.99	67.28
11B	355385	Adapter, 5-5/8 in. dia. motor ²	14.30	17.18
12	355334Z	Screw, No. 8-32 x 1 in. AF-75 & 120, AFP-75 & 120, 3 req.	3.56	4.28
12	355141	Screw, No. 8-32 x 1-1/2 in. AF-180, AFP-150 & 180	7.93	9.53
13	355331Z	O-ring, diffuser	3.56	4.28
14	355329Z	O-ring, front housing	CALL	CALL
15	355335	Screw, 5/16, 18 x 1/2 in. SS hex wsh. hd., (AF models only)	1.74	2.09
16	192115Z	O-ring, drain plug	2.86	3.44
17	154699	Plug, 1/2 in. drain	CALL	CALL
20	175025	Knob (fits clamp w/ captured T-bolt only)	39.82	47.85
21	355330	O-ring, strainer pot flange	2.00	2.40

Item	Part No.	Description	US List	Can. List
22	354265	Screw, 5/16 in., 18 hex wsh. hd., 4 req.	2.42	2.91
23	357161Z	Plug, 1/4 in. drain	5.71	6.86
24	192115Z	O-ring, drain plug	2.86	3.44
25	355300	Strainer pot AFP-75, AFP-120 & 150	165.51	198.88
26	355318Z	Basket, plastic strainer AFP-75 & 120	CALL	CALL
26	355441	Basket, SS strainer AFP-150	213.97	257.11
26	355901	Basket, SS strainer AFP-180	463.82	557.33
27	350013Z	O-ring, lid AFP-75, AFP-120 & 150	4.28	5.14
27	152509Z	Seal, lid AFP-180	CALL	CALL
28	355301	Lid, strainer pot AFP-75, AFP-120 & 150	72.87	87.56
28	355902	Lid, strainer pot AFP-180	84.53	101.57
29	355142	Bushing, impeller nose AF-180, AFP-150 & 180	77.96	93.68
31	154527	Wrench, 8-1/2 in., strainer pot AFP-180	33.17	39.86
NOT SHOWN				
	355914	Lid strainer pot AFP-75, AFP-120 & 150 Chemical resistant black lid	71.10	85.43

¹ Pump base (item 11) includes dual radius motor support.

² Item 11A, motor support is a replacement part that fits only older style pump bases with rectangular opening.

Note: Pumps and replacement motors that are single speed and one (1) Total HP or greater cannot be sold, offered for sale, or installed in a residential pool for filtration use in California, Title 20 CCR sections 1601-1609.

CALIFORNIA PROPOSITION 65 WARNING

▲ **WARNING:** Cancer and Reproductive Harm.
▲ **AVERTISSEMENT:** Peut Causer le Cancer et des Dommages au Système Reproducteur.
▲ **ADVERTENCIA:** Cáncer y Daño Reproductivo.

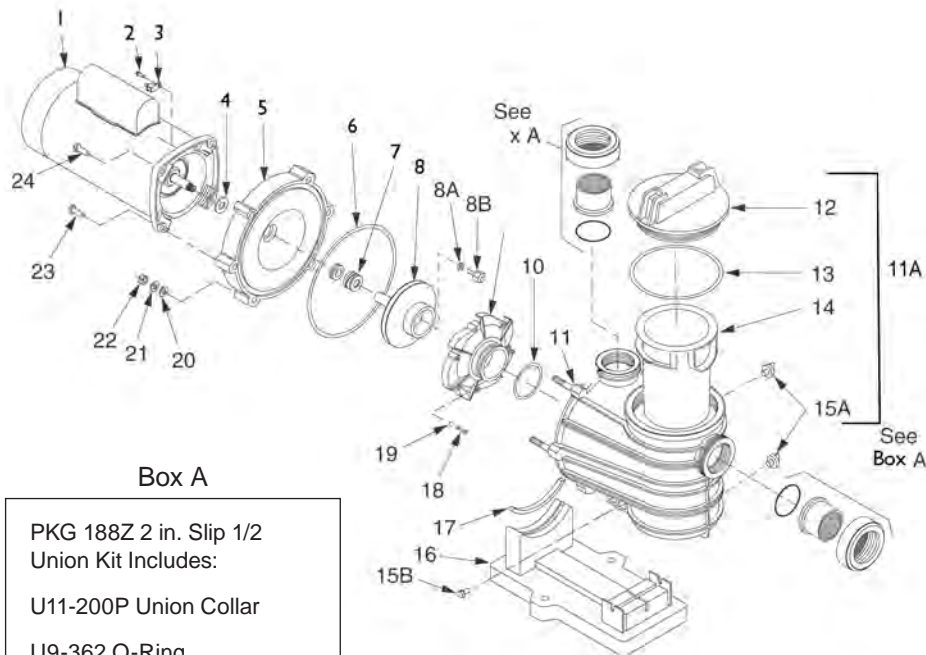
www.p65warnings.ca.gov. PA20031A

Product on pages 186–187.

Replacement baskets on page 148.

DYNA-WAVE® SERIES PUMP

REPLACEMENT PARTS



Refer to Manual
 #12 - 17307-0111S
 #13 - 35505-1440
 #11 - C76-71P
 Alternate parts used
 after 4-2009

Box A

PKG 188Z 2 in. Slip 1/2
 Union Kit Includes:
 U11-200P Union Collar
 U9-362 O-Ring
 U11-196P 2 in. Slip Adapter

Item	Part No.	Description	US List	Can. List
DYNA-WAVE REPLACEMENT PARTS				
1	62003-2088	Motor, 115/230V 1750 RPM	CALL	CALL
2	U30-692SS	Screw #10-32 x 1/2 in.	2.33	2.80
3	U17-568	Bonding Lug	12.30	14.78
4	C69-2	Slinger	7.91	9.50
5	C3-184P	Seal Plate	132.79	159.56
6	U9-373Z	Seal Plate Cord Ring	10.38	12.47
7	17351-0101S	Shaft Seal	29.52	35.47
8	C105-236PDA	Impeller	53.61	64.42
9	C1-270P	Diffuser	33.22	39.92
10	U9-374Z	Diffuser O-Ring	6.19	7.44
10	357098Z	Diffuser O-Ring (Blue Coating)	6.51	7.82
11	C76-58P	Tank and Trap Body (Only)	276.62	332.39
11A	C176-71P	Tank and Trap Assy (Includes #11, 12, 13, 14, 15A)	392.33	471.42
12	C3-185P	Trap Cover	69.54	83.56
13	U9-375	Trap Cover O-Ring	18.30	21.99

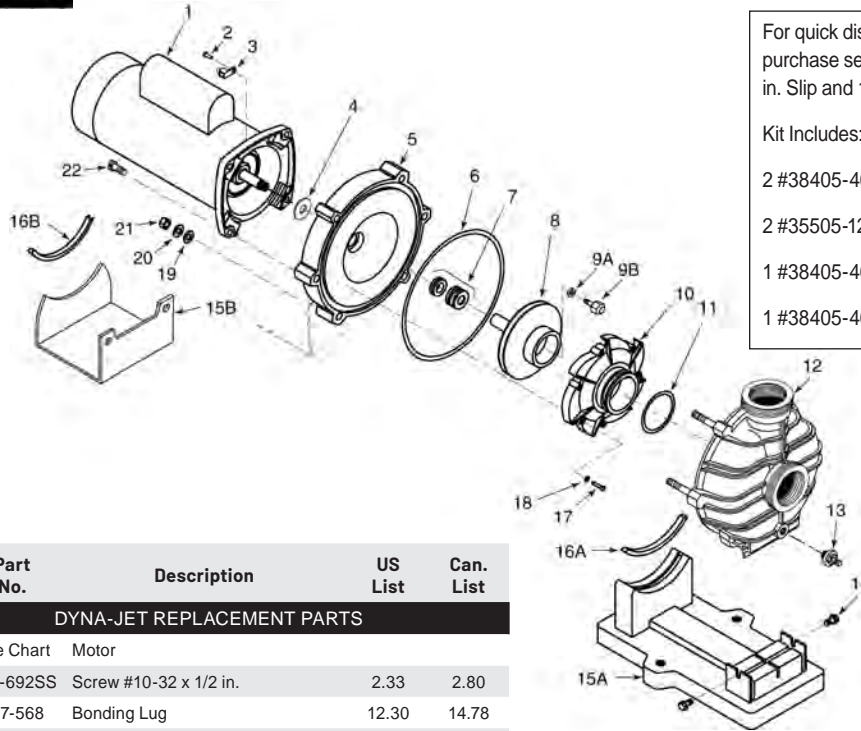
14	C8-58PZ	Trap Basket	15.58	18.72
15A	U178-920PZ	Drain Plug	CALL	CALL
15B	U30-919SS	Mounting Screw 5/16-14 x 5/8 in.	4.94	5.94
16	C4-77P	Base	56.14	67.46
17	C35-45	Motor Pad	5.12	6.15
18	U30-542SS	Screw #8-32 x 7/8 in. Rd. Hd.	2.48	2.98
19	U43-21SS	Lock Washer #8 Ext. Tooth	1.92	2.31
20	U43-62SS	Flat Washer 3/8 in.	1.92	2.31
21	U43-12SS	Lock Washer 3/8 in.	3.00	3.60
22	U36-38SS	Nut 3/8-16 Hex	3.13	3.76
23	U30-74SS	Cap Screws 3/8-16 x 1 in. Hex.	4.96	5.96

Note: Pumps and replacement motors that are single speed and one (1) Total HP or greater cannot be sold, offered for sale, or installed in a residential pool for filtration use in California, Title 20 CCR sections 1601-1609.

CALIFORNIA PROPOSITION 65 WARNING
 ⚠️ WARNING: Cancer and Reproductive Harm.
 ⚠️ AVERTISSEMENT: Peut Causer le Cancer et des Dommages au Système Reproducteur.
 ⚠️ ADVERTENCIA: Cáncer y Daño Reproductivo.
www.p65warnings.ca.gov

DYNA-JET™ SERIES PUMP

TPE SERIES REPLACEMENT PARTS



For quick disconnect pipe connections, purchase separately Part No. 77703-0105 (2 in. Slip and 1-1/2 in. Slip Union Kit).

Kit Includes:

- 2 #38405-4094 Union Collars
- 2 #35505-1244 O-Ring
- 1 #38405-4095 2 in. Slip Adapter
- 1 #38405-4096 1-1/2 in. Slip Adapter

Item	Part No.	Description	US List	Can. List
DYNA-JET REPLACEMENT PARTS				
1	See Chart	Motor		
2	U30-692SS	Screw #10-32 x 1/2 in.	2.33	2.80
3	U17-568	Bonding Lug	12.30	14.78
4	17351-0009	Slinger ⁴	2.13	2.56
5	C3-184P	Seal Plate	132.79	159.56
6	U9-373Z	Seal Plate Cord Ring	10.38	12.47
7	17351-0101S	Shaft Seal	29.52	35.47
8	See Chart	Impeller		
9A	33455-1047	Impeller Lock Screw Gasket ¹	CALL	CALL
9B	37337-6080	Impeller Lock Screw ¹	21.79	26.18
10	C1-270P	Diffuser ²	33.22	39.92
11	U9-374Z	Diffuser O-Ring	6.19	7.44
11	357098Z	Diffuser O-Ring (Blue Coating)	6.51	7.82
12	17303-0001	Pump Body (Only)	213.15	256.12
13	U178-920PZ	Drain Plug	CALL	CALL
14	U30-919SS	Hi-Lo Screw 5/16-14 x 5/8 in.	4.94	5.94
15A	C4-77P	Base - Corrosion Resistant	56.14	67.46
15B	17303-0113	Base - Steel ³	52.94	63.61
16A	C35-45	Motor Pad - for Corrosion Resistant Base	5.12	6.15
16B	C35-5	Motor Pad - for Steel Base ³	28.43	34.16
17	U30-542SS	Screw #8-32 x 7/8 in. Rd. Hd.	2.48	2.98
18	U43-21SS	Lock Washer #8 Ext. Tooth	1.92	2.31
19	U43-62SS	Flat Washer 3/8 in.	1.92	2.31
20	U43-12SS	Lock Washer 3/8 in.	3.00	3.60
21	071403	Nut 3/8-16 Hex	1.74	2.09
22	U30-74SS	Cap Screws 3/8-16 x 1 in. Hex.	4.96	5.96
NOT SHOWN				
	U9-359	Drain Plug O-Ring	0.85	1.02

Parts are common to all models except as noted:
Key Nos. 1, Motor; and 8, Impeller, are listed below.

Model No.	HP	Motor No. (Key No. 1)	Impeller (Key No. 8)
115/230/60/1			
TPEAE-165L	1	J218-947A	C105-236PB
TPEAF-166L	1-1/2	AE100FLL	C105-236PC
TPRAF-174L	1-1/2	A100FLL	C105-236PF
230/60/1			
TPEAG-167LS	2	AE100GLL	C105-236PDA
TPRAG-175L	2	A100GLL	C105-236PGA
TPEAAG-168LS	2-1/2	AE100G5LL	C105-236PEA
230/60/1 (2 Speed)			
TPRAYF-174S	1-1/2	A100FLL-Y	C105-236PF
TPEAYG-175L	2	AE100GLL-Y	C105-236PGAB
TPEAYG-175LS	2	AE100GLL-Y	C105-236PGAB
TPEAYG-167LS	2	AE100GLL-Y	C105-236PDA
TPEAAYG-168L	2-1/2	AE100G5LL-Y	C105-236PHA
TPEAAYG-168LS	2-1/2	AE100G5LL-Y	C105-236PHA

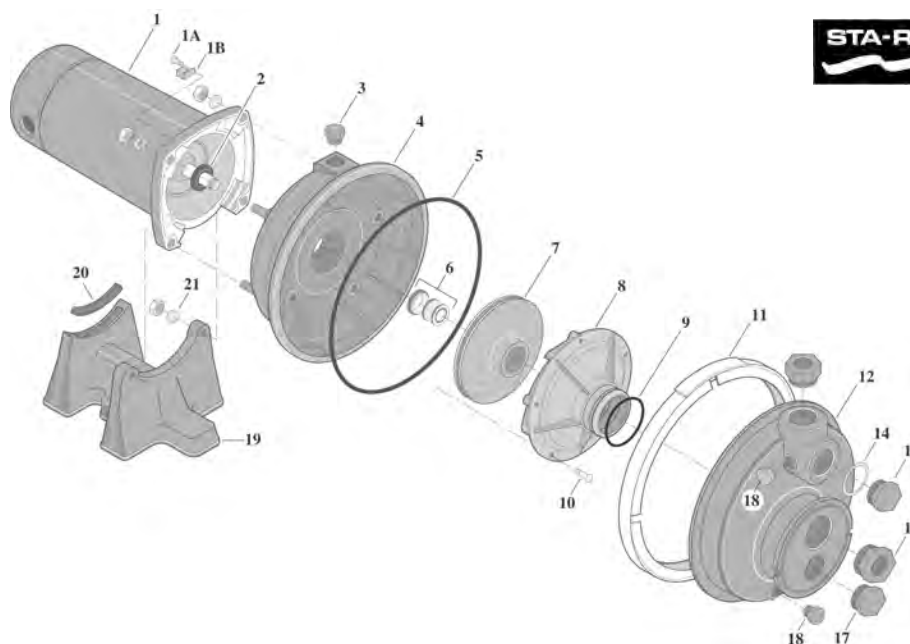
- ¹ Models TPEAG-167L, TPEAAG-168L, and TPRAG-167L only.
- ² Model TPEAE-165L and TPRAE3-165 use Part No. C1-270PC.
- ³ Models with LS suffix only.
- ⁴ Replaces C69-24 (effective 9/00).

Note: Pumps and replacement motors that are single speed and one (1) Total HP or greater cannot be sold, offered for sale, or installed in a residential pool for filtration use in California, Title 20 CCR sections 1601-1609.

CALIFORNIA PROPOSITION 65 WARNING
 ⚠️ **WARNING:** Cancer and Reproductive Harm.
 ⚠️ **AVERTISSEMENT:** Peut Causer le Cancer et des Dommages au Système Reproducteur.
 ⚠️ **ADVERTENCIA:** Cáncer y Daño Reproductivo.
 www.p65warnings.ca.gov. P#20174

Product on page 212-213.

PLBC SERIES PUMP REPLACEMENT PARTS



Item	Part No.	Description	US List	Can. List
PLBC REPLACEMENT PARTS				
1	A100CHL	Motor 115/230V/60H/1 Ph.	CALL	CALL
1A	U30-692SS	Screw, 10-32 x 1/2 in.	2.33	2.80
1B	U17-568	Lug, Bonding	12.30	14.78
2	17351-0009	Slinger ¹	2.13	2.56
3	WC78-39T	Pipe Plug, 1/2 in. NPT	8.24	9.90
4	L176-47P	Tank Body - Back Half	122.66	147.39
5	U9-389	O-Ring	15.75	18.93
6	U109-93SS	Shaft Seal (Pre-1995)	26.34	31.65
6	17351-0102S	Shaft Seal	33.46	40.21
7	J105-8PACN	Impeller	86.87	104.38
8	J1-40P	Diffuser	69.47	83.48
9	U9-199	O-Ring, Diffuser	3.67	4.41
10	U30-542SS	Screw, 10-32 x 7/8 in.	2.48	2.98
11	C19-54SS	Clamp, Tank Body	102.70	123.40
12	L76-37P	Tank Body - Front Half	245.60	295.11
14	L20-40	Gasket	3.94	4.73
15	L23-4P1	Bushing	9.72	11.68
16	U78-123PT	Reducer Bushing, 1-1/4 in. x 3/4 in.	15.24	18.31
17	U78-830PT	Pipe Plug, 1 in. NPT	12.15	14.60
18	WC78-40T	Pipe Plug, 1/4 in. NPT	3.77	4.53
19	C4-42P	Base	50.43	60.60
20	C35-11	Motor Pad	3.64	4.37
21	U43-11SS	Lockwasher	2.54	3.05
NOT SHOWN				
	J3-2	Insert (Pre-1995)	15.11	18.16
	C35-5	Motor Pad (Pre-1995)	28.43	34.16
	WC78-41T	Pipe Plug, 1/8 in. NPT	4.29	5.15

¹ Replaces C69-2 (effective 9/00).

CALIFORNIA PROPOSITION 65 WARNING

▲ **WARNING:** Cancer and Reproductive Harm.
 ▲ **AVERTISSEMENT:** Peut Causer le Cancer et des Dommages au Système Reproducteur.
 ▲ **ADVERTENCIA:** Cáncer y Daño Reproductivo.

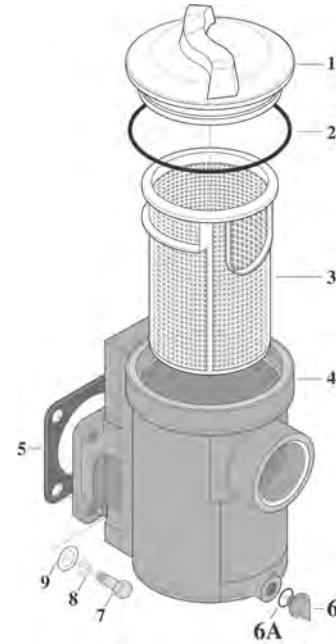
www.p65warnings.ca.gov. PN30271A

PLASTIC SUCTION TRAP ASSEMBLY

PACKAGE NO 161 - 6 IN. REPLACEMENT PARTS

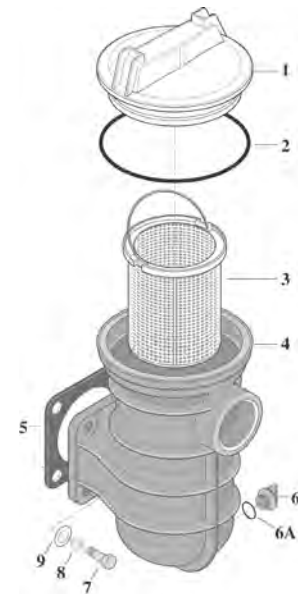


Item	Part No.	Description	US List	Can. List
PKG. 161 6-IN. TRAP REPLACEMENT PARTS				
1	16920-0011	Lid	78.33	94.12
2	16920-0012	O-Ring	23.00	27.64
3	16920-0017	Strainer Basket	33.22	39.92
4	C253-58P	Trap and Adapter Assembly	332.80	399.89
5	C20-123Z	Gasket	10.16	12.21
6	U178-920PZ	Drain Plug, 1/4 in. NPT	CALL	CALL
6A	U9-359	O-Ring	0.85	1.02
7	U30-64SS	Capscrew, 5/16-18 x 1-1/4 in.	4.44	5.34
8	U43-11SS	Lockwasher, 5/16 in.	2.54	3.05
9	U43-41SSZ	Washer, 5/16 in. Flat	2.86	3.44
NOT SHOWN				
	U9-285	Adapter O-Ring	4.94	5.94



PACKAGE NO 115 - 5 IN. REPLACEMENT PARTS

Item	Part No.	Description	US List	Can. List
PKG. 115 5-IN. TRAP REPLACEMENT PARTS				
1	C3-139P1	Cover	65.28	78.44
2	U9-229Z	O-Ring, Cover	15.23	18.30
3	C108-33PZ	Strainer Basket *	14.44	17.35
4	C153-53P1	Trap Body	122.09	146.70
5	C20-123Z	Gasket	10.16	12.21
6	U178-920PZ	Pipe Plug, 1/4 in. NPT	CALL	CALL
6A	U9-359	O-Ring	0.85	1.02
7	U30-64SS	Capscrew, 5/16 - 18 x 1-1/4 in.	4.44	5.34
8	U43-11SS	Lockwasher	2.54	3.05
9	U43-41SSZ	Washer, Flat	2.86	3.44
NOT SHOWN				
	PKG 115	Complete Suction Trap Assembly	162.82	195.64



CALIFORNIA PROPOSITION 65 WARNING

⚠ **WARNING:** Cancer and Reproductive Harm.
 ⚠ **AVERTISSEMENT:** Peut Causer le Cancer et des Dommages au Système Reproducteur.
 ⚠ **ADVERTENCIA:** Cáncer y Daño Reproductivo.

www.p65warnings.ca.gov PN 201714