



Swan

Product Specification Guide

Tub and Shower
Vanity Tops and Bowls
Kitchen Sinks
Laundry Tubs and Utilities
Table Tops
Guides, Colors and Index

Product Specification Guide

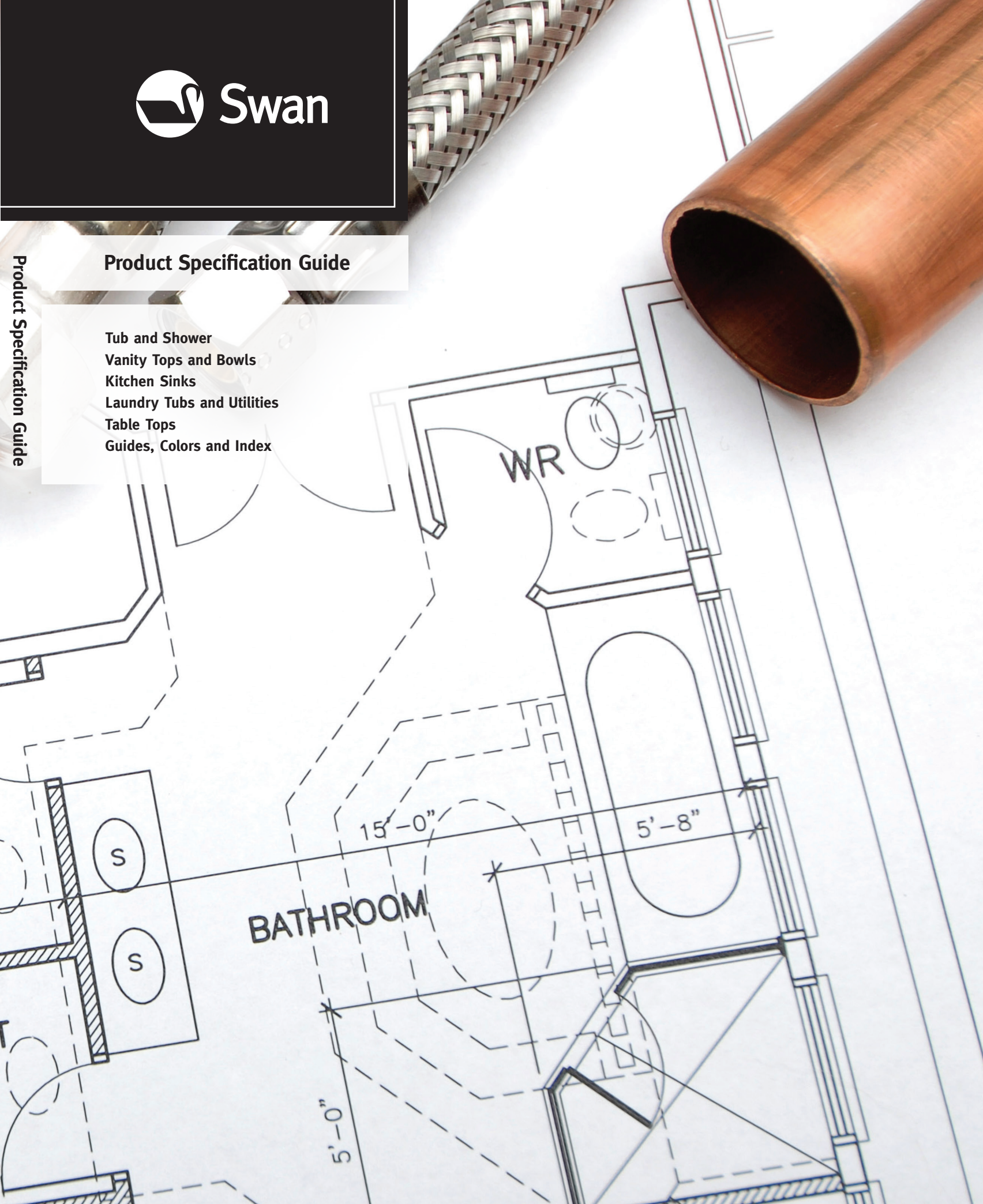


TABLE OF CONTENTS



I. TUB AND SHOWER

- 4 Swanstone Shower Wall Kits
- 39 Swanstone Shower Walls
- 47 Decorative Panel Shower Wall Kits
- 52 Decorative Wall Panels
- 53 Swanstone Tub Walls
- 58 Wainscoting
- 59 Wall Accessories
- 61 Trim Coordinates
- 62 Swanstone Bench Seat Top
- 63 Swanstone Bathtub Deck
- 64 SwanTile Shower Wall Kits
- 68 Veritek Tub Walls
- 70 SwanTile Tub Walls
- 72 Tub and Shower Alcove Walls
- 75 Bathtubs
- 76 High-Gloss Shower Wall Kits
- 81 High-Gloss Tub Walls
- 85 Tub and Shower Wall Accessories
- 86 Swanstone Shower Floors
- 90 Barrier-Free and Transfer Shower Floors
- 93 Veritek Shower Floors
- 101 Barrier-Free and Transfer Shower Floor Accessories

II. VANITY TOPS AND BOWLS

- 104 Swanstone Vanity Tops
- 111 Swanstone Vanity Bowls
- 115 Accessories

III. KITCHEN SINKS

- 118 Granite Kitchen Sinks
- 129 Granite Undermount Kitchen Sinks
- 138 Swanstone Sinks
- 147 Swanstone Undermount Sinks
- 156 Accessories

IV. LAUNDRY TUBS AND UTILITIES

- 156 Laundry Tubs and Utilities
- 164 Mop Service Sinks
- 168 Mop Service Sink Accessories

V. TABLE TOPS

- 168 Swanstone Table Tops
- 174 Table Top Accessories

VI. GUIDES, COLORS AND INDEX

- 174 Shower and Bath Wall Selection Guide
- 177 Technical Information
- 186 Model Number Index
- 188 Warranty Information
- Color Availability Chart - inside back cover



MATERIALS

Swanstone

Swanstone is a reinforced solid surface. Color and texture run all the way through and cannot wear away. Choose from a wide variety of easy-to-clean colors for your kitchen and bath. Products include bath and shower walls, shower floors, vanity tops and bowls and kitchen sinks. All Swanstone products are covered by our limited lifetime warranty.

Veritek[®]

Veritek[®] is our affordable compression-molded material with no surface coating to chip or crack. This non-porous material will not mold or mildew, so it is perfect for your bath, laundry and utility rooms. Choose from bathtubs, bath and shower walls, shower floors and utility sinks and basins. We cover Veritek[®] products with the industry's best warranties.



Swan High-Gloss

Our unique line of traditional tub and shower walls features an ultra-bright, ultra-clean glossy surface. And, because its shine comes from a durable baked-on finish, these tub and shower walls will last. In fact, we back them with a limited lifetime warranty.

Granite

Swan granite sinks feature the hardness and resistance of stone, but is smooth and modern. Made from 80% quartz natural stone, it is a rock-hard material that is beautiful and strong.

TUB AND SHOWER

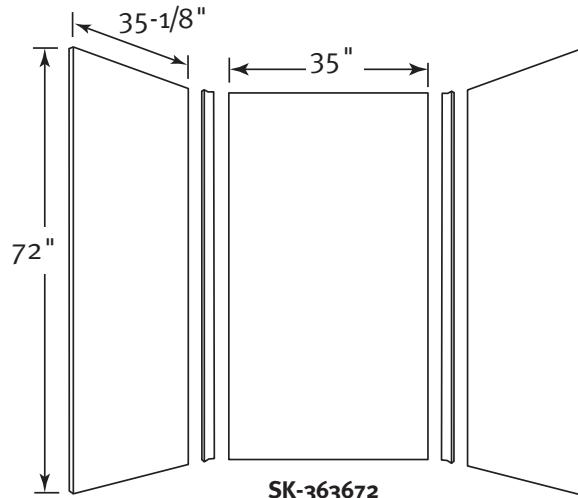
WARRANTY

 Limited Lifetime – Residential
 Limited 25-year – Commercial

Manufactured from Swanstone solid surface
 (See page 2 for detailed information.)

Recommended for high-use traffic areas and commercial surfaces.
FEATURES

- Reinforced solid surface means color and texture run all the way through and cannot wear away.
- Will not mold or mildew, no grout to clean.
- Ideal for remodeling, panels glue up over existing surface.
- Coordinates with other Swanstone bath products.
- A complete kit with everything you need to design your shower.
- Wall panels are cut to fit most shower applications with no trimming required.
- Heat resistant—walls can handle steamer units.
- Compression molding means superior durability.



- The **SK-363672** is a five piece shower wall panel system with a smooth surface.

SK-363672

Designed to fit base areas

36" deep or smaller x 36" wide x 72" high (914 mm x 914 mm x 1829)

SPECIFICATIONS
SK-363672 Swanstone Shower Wall Kit

| Model | Part | Base Area Designed To Fit | Ship Wt. Lb. | Ship FedEx | Carton Dims. In. | Cu. Ft. |
|-----------|----------|--|-----------------|---------------|---------------------|---------|
| SK-363672 | SK363672 | 36" D* x 36" W x 72" H (914 mm x 914 mm x 1829 mm) (*or smaller) | 110 | – | 75 x 39 x 5 | 8.46 |

Kit Includes: Two side panels, one back panel, two corner molding strips, two corner soap dishes and installation materials.

Packaging: Each kit is packed in an individual carton.

ACCESSORIES

See pages 59-60 for complete listing of all wall accessories.

STANDARDS AND RATINGS

American Society of Testing and Materials (ASTM) E-84: Class A Flame Spread Rating

American National Standard Institute—ANSI Z124.6

International Association of Plumbing and Mechanical Officials (IAPMO)—Listed

cUPC listed—Certified to CSA Test Standard B45.5 by IAPMO

Uniform Plumbing Code (UPC)

For a complete list of tests and results see the Technical Data Sheet.

SUPPORT DOCUMENTS

 Installation instructions available at swanstone.com.

 **MADE IN USA**
COLORS

(See inside back cover for color sample.)

Solid Colors:

- White (010)
- Bone (037)
- Bisque (018)
- Bright White (137)
- Pearl (138)

Aggregate Colors:

- Acorn (123) 🍂
- Almond Galaxy (046)
- Arctic Granite (035)
- Baby's Breath (168)
- Barley (091)
- Bermuda Sand (040)
- Canyon (124) 🍂
- Caraway Seed (169)
- Cloud Bone (126)
- Cloud White (125)
- Cornflower (063)
- Glacier (121) 🍂

- Golden Steppe (128)
- Gray Granite (042)
- Ice (130)
- Indian Grass (071)
- Mountain Haze (129)
- Night Sky (012)
- Pebble (072)
- Prairie (122) 🍂
- Sierra (094)
- Tahiti Desert (050)
- Tahiti Gray (053)
- Tahiti Ivory (059)
- Tahiti Matrix (058)
- Tahiti Sand (051)
- Tahiti Terra (055)
- Tahiti White (011)
- Tundra (131)
- Winter Wheat (060)

**MAINTENANCE AND
CLEANING INFORMATION**

Clean regularly with common household liquid cleaners and rinse within five minutes of application. Occasional scrubbing with abrasive cleaners ensures that the original luster will be maintained. **Do not** use "leave on" cleaning products, such as automatic spray shower cleaners. Prolonged contact with harsh chemicals could have an adverse reaction over time and discolor surfaces. **Do not** use cleaning agents that caution use on acrylic, polyester or plastics.

WARRANTY

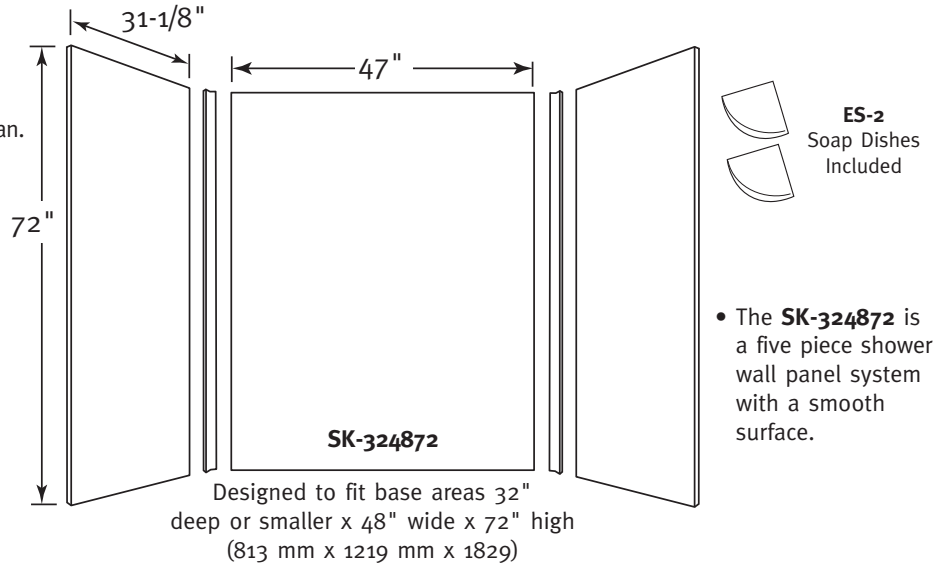
Limited Lifetime – Residential
 Limited 25-year – Commercial

Manufactured from Swanstone solid surface
 (See page 2 for detailed information.)

Recommended for high-use traffic areas and commercial surfaces.

FEATURES

- Reinforced solid surface means color and texture run all the way through and cannot wear away.
- Will not mold or mildew, no grout to clean.
- Ideal for remodeling, panels glue up over existing surface.
- Coordinates with other Swanstone bath products.
- A complete kit with everything you need to design your shower.
- Wall panels are cut to fit most shower applications with no trimming required.
- Heat resistant—walls can handle steamer units.
- Compression molding means superior durability.



SPECIFICATIONS

SK-324872 Swanstone Shower Wall Kit

| Model | Part | Base Area Designed To Fit | Ship Wt. Lb. | Ship FedEx | Carton Dims. In. | Cu. Ft. |
|-----------|----------|---|--------------|------------|------------------|---------|
| SK-324872 | SK324872 | 32" D* x 48" W x 72" H (813 mm x 1219 mm x 1829 mm) (*or smaller) | 169 | - | 74 x 55 x 3 | 7.07 |

Kit Includes: Two side panels, one back panel, two corner molding strips, two corner soap dishes and installation materials.

Packaging: Each kit is packed in an individual carton.

ACCESSORIES

See pages 59-60 for complete listing of all wall accessories.

STANDARDS AND RATINGS

American Society of Testing and Materials (ASTM) E-84: Class A Flame Spread Rating

American National Standard Institute—ANSI Z124.6

International Association of Plumbing and Mechanical Officials (IAPMO)—Listed

cUPC listed—Certified to CSA Test Standard B45.5 by IAPMO

Uniform Plumbing Code (UPC)

For a complete list of tests and results see the Technical Data Sheet.

SUPPORT DOCUMENTS

Installation instructions available at swanstone.com.

 **MADE IN USA**




COLORS

(See inside back cover for color sample.)

Solid Colors:

- White (010)
- Bone (037)
- Bisque (018)
- Bright White (137)
- Pearl (138)

Aggregate Colors:

- Acorn (123) 
- Almond Galaxy (046)
- Arctic Granite (035)
- Baby's Breath (168)
- Barley (091)
- Bermuda Sand (040)
- Canyon (124) 
- Caraway Seed (169)
- Cloud Bone (126)
- Cloud White (125)
- Cornflower (063)
- Glacier (121) 

- Golden Steppe (128)
- Gray Granite (042)
- Ice (130)
- Indian Grass (071)
- Mountain Haze (129)
- Night Sky (012)
- Pebble (072)
- Prairie (122) 
- Sierra (094)
- Tahiti Desert (050)
- Tahiti Gray (053)
- Tahiti Ivory (059)
- Tahiti Matrix (058)
- Tahiti Sand (051)
- Tahiti Terra (055)
- Tahiti White (011)
- Tundra (131)
- Winter Wheat (060)

MAINTENANCE AND CLEANING INFORMATION

Clean regularly with common household liquid cleaners and rinse within five minutes of application. Occasional scrubbing with abrasive cleaners ensures that the original luster will be maintained. **Do not** use "leave on" cleaning products, such as automatic spray shower cleaners. Prolonged contact with harsh chemicals could have an adverse reaction over time and discolor surfaces. **Do not** use cleaning agents that caution use on acrylic, polyester or plastics.



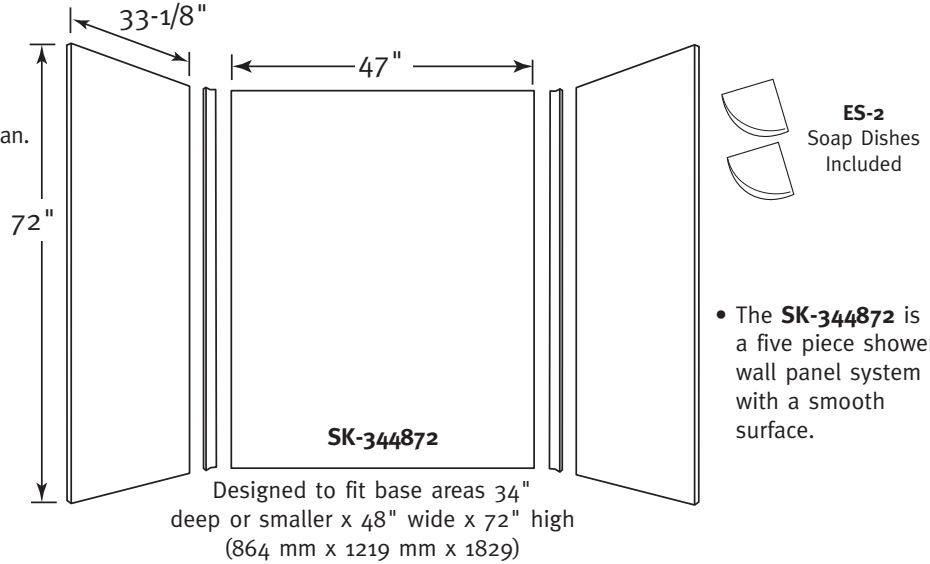
WARRANTY
 Limited Lifetime – Residential
 Limited 25-year – Commercial

Manufactured from Swanstone solid surface
 (See page 2 for detailed information.)

Recommended for high-use traffic areas and commercial surfaces.

FEATURES

- Reinforced solid surface means color and texture run all the way through and cannot wear away.
- Will not mold or mildew, no grout to clean.
- Ideal for remodeling, panels glue up over existing surface.
- Coordinates with other Swanstone bath products.
- A complete kit with everything you need to design your shower.
- Wall panels are cut to fit most shower applications with no trimming required.
- Heat resistant—walls can handle steamer units.
- Compression molding means superior durability.



- The SK-344872 is a five piece shower wall panel system with a smooth surface.

SPECIFICATIONS

SK-344872 Swanstone Shower Wall Kit

| Model | Part | Base Area Designed To Fit | Ship Wt. Lb. | Ship FedEx | Carton Dims. In. | Cu. Ft. |
|-----------|----------|---|--------------|------------|------------------|---------|
| SK-344872 | SK344872 | 34" D* x 48" W x 72" H (864 mm x 1219 mm x 1829 mm) (*or smaller) | 156 | - | 78 x 53 x 4 | 9.5 |

Kit Includes: Two side panels, one back panel, two corner molding strips, two corner soap dishes and installation materials.

Packaging: Each kit is packed in an individual carton.

ACCESSORIES

See pages 59-60 for complete listing of all wall accessories.

STANDARDS AND RATINGS

American Society of Testing and Materials (ASTM) E-84: Class A Flame Spread Rating

American National Standard Institute—ANSI Z124.6

International Association of Plumbing and Mechanical Officials (IAPMO)—Listed

cUPC listed—Certified to CSA Test Standard B45.5 by IAPMO

Uniform Plumbing Code (UPC)

For a complete list of tests and results see the Technical Data Sheet.

SUPPORT DOCUMENTS

Installation instructions available at swanstone.com.



COLORS

(See inside back cover for color sample.)

Solid Colors:

- White (010)
- Bone (037)
- Bisque (018)
- Bright White (137)
- Pearl (138)

Aggregate Colors:

- Acorn (123) 🍂
- Almond Galaxy (046)
- Arctic Granite (035)
- Baby's Breath (168)
- Barley (091)
- Bermuda Sand (040)
- Canyon (124) 🍂
- Caraway Seed (169)
- Cloud Bone (126)
- Cloud White (125)
- Cornflower (063)
- Glacier (121) 🍂

- Golden Steppe (128)
- Gray Granite (042)
- Ice (130)
- Indian Grass (071)
- Mountain Haze (129)
- Night Sky (012)
- Pebble (072)
- Prairie (122) 🍂
- Sierra (094)
- Tahiti Desert (050)
- Tahiti Gray (053)
- Tahiti Ivory (059)
- Tahiti Matrix (058)
- Tahiti Sand (051)
- Tahiti Terra (055)
- Tahiti White (011)
- Tundra (131)
- Winter Wheat (060)

MAINTENANCE AND CLEANING INFORMATION

Clean regularly with common household liquid cleaners and rinse within five minutes of application. Occasional scrubbing with abrasive cleaners ensures that the original luster will be maintained. **Do not** use "leave on" cleaning products, such as automatic spray shower cleaners. Prolonged contact with harsh chemicals could have an adverse reaction over time and discolor surfaces. **Do not** use cleaning agents that caution use on acrylic, polyester or plastics.



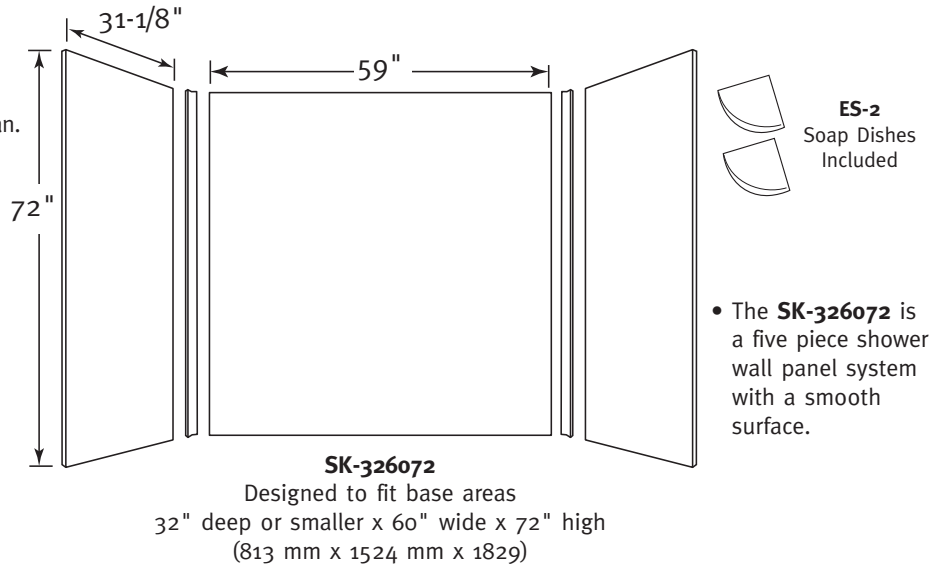
WARRANTY
 Limited Lifetime – Residential
 Limited 25-year – Commercial

Manufactured from Swanstone solid surface
 (See page 2 for detailed information.)

Recommended for high-use traffic areas and commercial surfaces.

FEATURES

- Reinforced solid surface means color and texture run all the way through and cannot wear away.
- Will not mold or mildew, no grout to clean.
- Ideal for remodeling, panels glue up over existing surface.
- Coordinates with other Swanstone bath products.
- A complete kit with everything you need to design your shower.
- Wall panels are cut to fit most shower applications with no trimming required.
- Heat resistant—walls can handle steamer units.
- Compression molding means superior durability.



SPECIFICATIONS

SK-326072 Swanstone Shower Wall Kit

| Model | Part | Base Area Designed To Fit | Ship Wt. Lb. | Ship FedEx | Carton Dims. In. | Cu. Ft. |
|-----------|----------|---|--------------|------------|------------------|---------|
| SK-326072 | SK326072 | 32" D* x 60" W x 72" H (813 mm x 1524 mm x 1829 mm) (*or smaller) | 190 | - | 74 x 61 x 4 | 10.45 |

Kit Includes: Two side panels, one back panel, two corner molding strips, two corner soap dishes and installation materials.

Packaging: Each kit is packed in an individual carton.

ACCESSORIES

See pages 59-60 for complete listing of all wall accessories.

STANDARDS AND RATINGS

American Society of Testing and Materials (ASTM) E-84: Class A Flame Spread Rating

American National Standard Institute—ANSI Z124.6

International Association of Plumbing and Mechanical Officials (IAPMO)—Listed

cUPC listed—Certified to CSA Test Standard B45.5 by IAPMO

Uniform Plumbing Code (UPC)

For a complete list of tests and results see the Technical Data Sheet.

SUPPORT DOCUMENTS

Installation instructions available at swanstone.com.

COLORS

(See inside back cover for color sample.)

Solid Colors:

- White (010)
- Bone (037)
- Bisque (018)
- Bright White (137)
- Pearl (138)

Aggregate Colors:

- Acorn (123) 🍂
- Almond Galaxy (046)
- Arctic Granite (035)
- Baby's Breath (168)
- Barley (091)
- Bermuda Sand (040)
- Canyon (124) 🍂
- Caraway Seed (169)
- Cloud Bone (126)
- Cloud White (125)
- Cornflower (063)
- Glacier (121) 🍂

- Golden Steppe (128)
- Gray Granite (042)
- Ice (130)
- Indian Grass (071)
- Mountain Haze (129)
- Night Sky (012)
- Pebble (072)
- Prairie (122) 🍂
- Sierra (094)
- Tahiti Desert (050)
- Tahiti Gray (053)
- Tahiti Ivory (059)
- Tahiti Matrix (058)
- Tahiti Sand (051)
- Tahiti Terra (055)
- Tahiti White (011)
- Tundra (131)
- Winter Wheat (060)

MAINTENANCE AND CLEANING INFORMATION

Clean regularly with common household liquid cleaners and rinse within five minutes of application. Occasional scrubbing with abrasive cleaners ensures that the original luster will be maintained. **Do not** use "leave on" cleaning products, such as automatic spray shower cleaners. Prolonged contact with harsh chemicals could have an adverse reaction over time and discolor surfaces. **Do not** use cleaning agents that caution use on acrylic, polyester or plastics.

WARRANTY

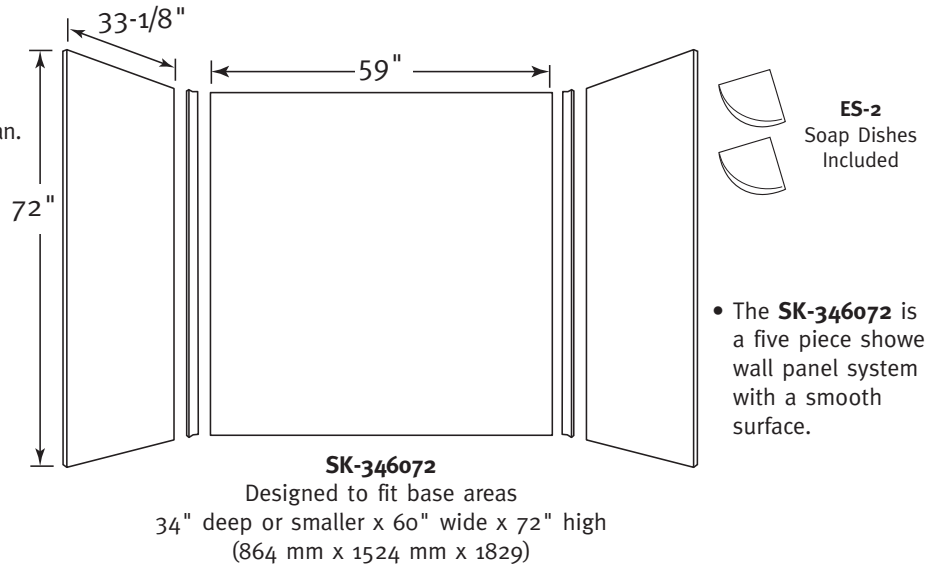
Limited Lifetime – Residential
 Limited 25-year – Commercial

Manufactured from Swanstone solid surface
 (See page 2 for detailed information.)

Recommended for high-use traffic areas and commercial surfaces.

FEATURES

- Reinforced solid surface means color and texture run all the way through and cannot wear away.
- Will not mold or mildew, no grout to clean.
- Ideal for remodeling, panels glue up over existing surface.
- Coordinates with other Swanstone bath products.
- A complete kit with everything you need to design your shower.
- Wall panels are cut to fit most shower applications with no trimming required.
- Heat resistant—walls can handle steamer units.
- Compression molding means superior durability.



- The **SK-346072** is a five piece shower wall panel system with a smooth surface.

SPECIFICATIONS
SK-346072 Swanstone Shower Wall Kit

| Model | Part | Base Area Designed To Fit | Ship Wt. Lb. | Ship FedEx | Carton Dims. In. | Cu. Ft. |
|-----------|----------|---|-----------------|---------------|---------------------|---------|
| SK-346072 | SK346072 | 34" D* x 60" W x 72" H (864 mm x 1524 mm x 1829 mm) (*or smaller) | 190 | - | 78 x 65 x 4 | 7.07 |

Kit Includes: Two side panels, one back panel, two corner molding strips, two corner soap dishes and installation materials.

Packaging: Each kit is packed in an individual carton.

ACCESSORIES

See pages 59-60 for complete listing of all wall accessories.

STANDARDS AND RATINGS

American Society of Testing and Materials (ASTM) E-84: Class A Flame Spread Rating

American National Standard Institute—ANSI Z124.6

International Association of Plumbing and Mechanical Officials (IAPMO)—Listed

cUPC listed—Certified to CSA Test Standard B45.5 by IAPMO

Uniform Plumbing Code (UPC)

For a complete list of tests and results see the Technical Data Sheet.

SUPPORT DOCUMENTS

Installation instructions available at swanstone.com.

 **MADE IN USA**

COLORS

(See inside back cover for color sample.)

Solid Colors:

- White (010)
- Bone (037)
- Bisque (018)
- Bright White (137)
- Pearl (138)

Aggregate Colors:

- Acorn (123) 🍂
- Almond Galaxy (046)
- Arctic Granite (035)
- Baby's Breath (168)
- Barley (091)
- Bermuda Sand (040)
- Canyon (124) 🍂
- Caraway Seed (169)
- Cloud Bone (126)
- Cloud White (125)
- Cornflower (063)
- Glacier (121) 🍂

- Golden Steppe (128)
- Gray Granite (042)
- Ice (130)
- Indian Grass (071)
- Mountain Haze (129)
- Night Sky (012)
- Pebble (072)
- Prairie (122) 🍂
- Sierra (094)
- Tahiti Desert (050)
- Tahiti Gray (053)
- Tahiti Ivory (059)
- Tahiti Matrix (058)
- Tahiti Sand (051)
- Tahiti Terra (055)
- Tahiti White (011)
- Tundra (131)
- Winter Wheat (060)

MAINTENANCE AND CLEANING INFORMATION

Clean regularly with common household liquid cleaners and rinse within five minutes of application. Occasional scrubbing with abrasive cleaners ensures that the original luster will be maintained. **Do not** use "leave on" cleaning products, such as automatic spray shower cleaners. Prolonged contact with harsh chemicals could have an adverse reaction over time and discolor surfaces. **Do not** use cleaning agents that caution use on acrylic, polyester or plastics.



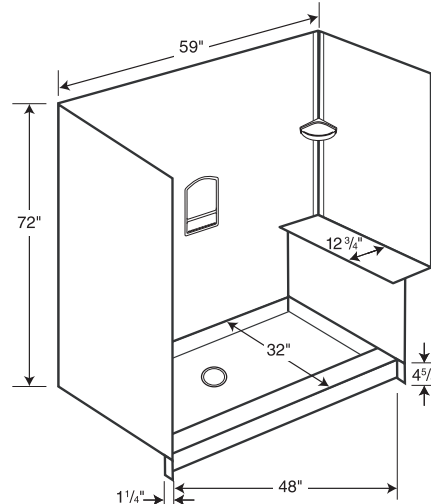
WARRANTY
 Limited Lifetime – Residential
 Limited 25-year – Commercial

Manufactured from Swanstone solid surface
 (See page 2 for detailed information.)

Recommended for high-use traffic areas and commercial surfaces.

FEATURES

- Replaces a standard 32" x 59" bathtub.
- Reinforced solid surface means color and texture run all the way through and cannot wear away.
- Will not mold or mildew, no grout to clean.
- Ideal for remodeling, panels glue up over existing surface.
- A complete kit with everything you need to design your shower.
- Compression molding means superior durability.



BK-326072

SPECIFICATIONS

BK-326072 Tub Replacement Shower Kit with Bench Seat

| Model | Part | Base Area Designed To Fit | Ship Wt. Lb. | Ship FedEx | Carton Dims. In. | Cu. Ft. |
|-----------|----------|---|--------------|------------|------------------|---------|
| BK-326072 | BK326072 | 32"D x 59"W x 72"H (813mm x 1524mm x 1829mm) | 160 | - | 81 x 72 x 21 | 13.28 |

Kit Includes: One (SK-346072) shower wall kit, one (SS-3248) shower floor, one (SB-1248) bench seat, one (RS-2215) soap dish and installation materials.

Packaging: Each component individually packed in rectangular carton, then crated.

STANDARDS AND RATINGS

American Society of Testing and Materials (ASTM) E-84: Class A Flame Spread Rating
 American National Standard Institute—ANSI Z124.6
 International Association of Plumbing and Mechanical Officials (IAPMO)—Listed cUPC listed—Certified to CSA Test Standard B45.5 by IAPMO
 Uniform Plumbing Code (UPC)

For a complete list of tests and results see the Technical Data Sheet.

SUPPORT DOCUMENTS

Installation instructions available at swanstone.com.



COLORS

(See inside back cover for color sample.)

Solid Colors:

- White (010)
- Bone (037)
- Bisque (018)
- Bright White (137)
- Pearl (138)

- Golden Steppe (128)
- Gray Granite (042)
- Ice (130)
- Indian Grass (071)
- Mountain Haze (129)
- Night Sky (012)
- Pebble (072)
- Prairie (122)

Aggregate Colors:

- Acorn (123)
- Almond Galaxy (046)
- Arctic Granite (035)
- Baby's Breath (168)
- Barley (091)
- Bermuda Sand (040)
- Canyon (124)
- Caraway Seed (169)
- Cloud Bone (126)
- Cloud White (125)
- Cornflower (063)
- Glacier (121)
- Sierra (094)
- Tahiti Desert (050)
- Tahiti Gray (053)
- Tahiti Ivory (059)
- Tahiti Matrix (058)
- Tahiti Sand (051)
- Tahiti Terra (055)
- Tahiti White (011)
- Tundra (131)
- Winter Wheat (060)

MAINTENANCE AND CLEANING INFORMATION

Clean regularly with common household liquid cleaners and rinse within five minutes of application. Occasional scrubbing with abrasive cleaners ensures that the original luster will be maintained. **Do not** use "leave on" cleaning products, such as automatic spray shower cleaners. Prolonged contact with harsh chemicals could have an adverse reaction over time and discolor surfaces. **Do not** use cleaning agents that caution use on acrylic, polyester or plastics.

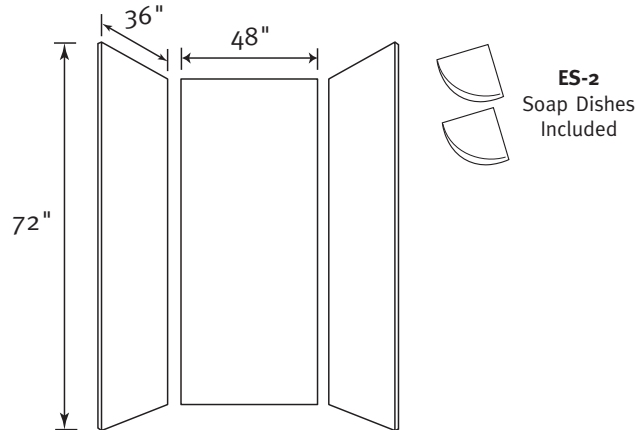
WARRANTY

 Limited Lifetime – Residential
 Limited 25-year – Commercial

Manufactured from Swanstone solid surface
 (See page 2 for detailed information.)

Recommended for high-use traffic areas and commercial surfaces.
FEATURES

- Reinforced solid surface means color and texture run all the way through and cannot wear away.
- Will not mold or mildew, no grout to clean.
- Ideal for remodeling, panels glue up over existing surface.
- Coordinates with other Swanstone bath products.
- Can be easily trimmed to fit any shower application.
- Widest range of sizes to fit most any project.
- Heat resistant—walls can handle steamer units.
- Compression molding means superior durability.


Model MK 72-3648

 Designed to fit floors 36" deep x 48" wide or smaller, including
 36" x 36", 37" x 38", 34" x 48", 34" x 42" and 32" x 48"

SPECIFICATIONS
MK72-3648 Multi-Kits

| Model | Part | Nominal Dimensions | Ship Wt. Lb. | Ship FedEx | Carton Dims. In. | Cu. Ft. |
|-----------|----------|--------------------|--------------|------------|------------------|---------|
| MK72-3648 | MK723648 | 36"D x 48"W x 72"H | 144 | — | 102 x 54 x 4 | 12.75 |

Kit Includes: Two side panels, one back panel, two corner soap dishes and installation materials.

Packaging: Packed in individual carton with convenient handles and palletized.

ACCESSORIES

See pages 59-60 for complete listing of all wall accessories.

STANDARDS AND RATINGS

American Society of Testing and Materials (ASTM) E-84: Class A Flame Spread Rating

American National Standard Institute—ANSI Z124.6

International Association of Plumbing and Mechanical Officials (IAPMO)—Listed

cUPC listed—Certified to CSA Test Standard B45.5 by IAPMO

Uniform Plumbing Code (UPC)

For a complete list of tests and results see the Technical Data Sheet.

SUPPORT DOCUMENTS

 Installation instructions available at swanstone.com.

 **MADE IN USA**
COLORS

(See inside back cover for color sample.)

Solid Colors:

- White (010)
- Bone (037)
- Bisque (018)
- Bright White (137)
- Pearl (138)

Aggregate Colors:

- Acorn (123) ✎
- Almond Galaxy (046)
- Arctic Granite (035)
- Baby's Breath (168)
- Barley (091)
- Bermuda Sand (040)
- Canyon (124) ✎
- Caraway Seed (169)
- Cloud Bone (126)
- Cloud White (125)
- Cornflower (063)
- Glacier (121) ✎

- Golden Steppe (128)
- Gray Granite (042)
- Ice (130)
- Indian Grass (071)
- Mountain Haze (129)
- Night Sky (012)
- Pebble (072)
- Prairie (122) ✎
- Sierra (094)
- Tahiti Desert (050)
- Tahiti Gray (053)
- Tahiti Ivory (059)
- Tahiti Matrix (058)
- Tahiti Sand (051)
- Tahiti Terra (055)
- Tahiti White (011)
- Tundra (131)
- Winter Wheat (060)

MAINTENANCE AND CLEANING INFORMATION

 Clean regularly with common household liquid cleaners and rinse within five minutes of application. Occasional scrubbing with abrasive cleaners ensures that the original luster will be maintained. **Do not** use "leave on" cleaning products, such as automatic spray shower cleaners. Prolonged contact with harsh chemicals could have an adverse reaction over time and discolor surfaces.

Do not use cleaning agents that caution use on acrylic, polyester or plastics.

Manufactured from Swanstone solid surface
(see page 2 for detailed information.)

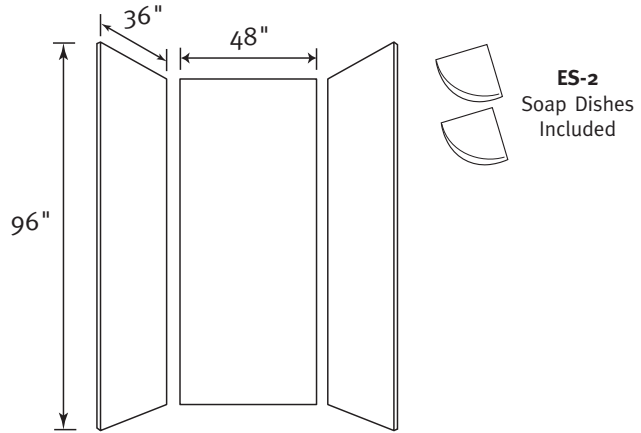
WARRANTY

Limited Lifetime – Residential
Limited 25-year – Commercial

Recommended for high use traffic areas and commercial surfaces.

FEATURES

- Reinforced solid surface means color and texture run all the way through and cannot wear away.
- Will not mold or mildew, no grout to clean.
- Ideal for remodeling, panels glue up over existing surface.
- Coordinates with other Swanstone bath products.
- Can be easily trimmed to fit any shower application.
- Widest range of sizes to fit most any project.
- Heat resistant—walls can handle steamer units.
- Compression molding means superior durability.



Model MK 96-3648

Designed to fit floors 36" deep x 48" wide or smaller, including 36" x 36", 34" x 48", 34" x 42" and 32" x 48"

SPECIFICATIONS

MK96-3648 Multi-Kits

| Model | Part | Nominal Dimensions | Ship Wt. Lb. | Ship FedEx | Carton Dims. In. | Cu. Ft. |
|-----------|----------|--------------------|--------------|------------|------------------|---------|
| MK96-3648 | MK963648 | 36"D x 48"W x 96"H | 232 | — | 102 x 54 x 4 | 12.75 |

Kit Includes: Two side panels, one back panel, two corner soap dishes and installation materials.

Packaging: Packed in individual carton with convenient handles and palletized.

ACCESSORIES

See pages 59-60 for complete listing of all wall accessories.

STANDARDS AND RATINGS

American Society of Testing and Materials (ASTM) E-84: Class A Flame Spread Rating

American National Standard Institute—ANSI Z124.6

International Association of Plumbing and Mechanical Officials (IAPMO)—Listed

cUPC listed—Certified to CSA Test Standard B45.5 by IAPMO

Uniform Plumbing Code (UPC)

For a complete list of tests and results see the Technical Data Sheet.

SUPPORT DOCUMENTS

Installation instructions available at swanstone.com.

 **MADE IN USA**

COLORS

(See inside back cover for color sample.)

Solid Colors:

- White (010)
- Bone (037)
- Bisque (018)
- Bright White (137)
- Pearl (138)

Aggregate Colors:

- Acorn (123) 🍂
- Almond Galaxy (046)
- Arctic Granite (035)
- Baby's Breath (168)
- Barley (091)
- Bermuda Sand (040)
- Canyon (124) 🍂
- Caraway Seed (169)
- Cloud Bone (126)
- Cloud White (125)
- Cornflower (063)
- Glacier (121) 🍂

- Golden Steppe (128)
- Gray Granite (042)
- Ice (130)
- Indian Grass (071)
- Mountain Haze (129)
- Night Sky (012)
- Pebble (072)
- Prairie (122) 🍂
- Sierra (094)
- Tahiti Desert (050)
- Tahiti Gray (053)
- Tahiti Ivory (059)
- Tahiti Matrix (058)
- Tahiti Sand (051)
- Tahiti Terra (055)
- Tahiti White (011)
- Tundra (131)
- Winter Wheat (060)

MAINTENANCE AND CLEANING INFORMATION

Clean regularly with common household liquid cleaners and rinse within five minutes of application. Occasional scrubbing with abrasive cleaners ensures that the original luster will be maintained. **Do not** use "leave on" cleaning products, such as automatic spray shower cleaners. Prolonged contact with harsh chemicals could have an adverse reaction over time and discolor surfaces. **Do not** use cleaning agents that caution use on acrylic, polyester or plastics.

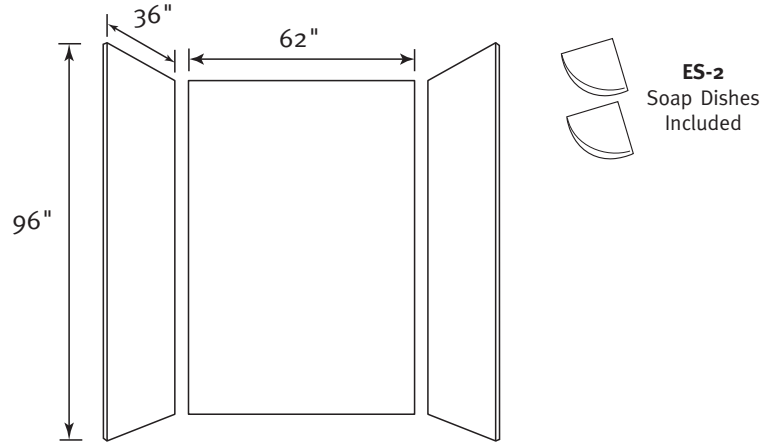
WARRANTY

 Limited Lifetime – Residential
 Limited 25-year – Commercial

Manufactured from Swanstone solid surface
 (See page 2 for detailed information.)

Recommended for high-use traffic areas and commercial surfaces.
FEATURES

- Reinforced solid surface means color and texture run all the way through and cannot wear away.
- Will not mold or mildew, no grout to clean.
- Ideal for remodeling, panels glue up over existing surface.
- Coordinates with other Swanstone bath products.
- Can be easily trimmed to fit any shower application.
- Widest range of sizes to fit most any project.
- Heat resistant—walls can handle steamer units.
- Compression molding means superior durability.


Model MK 96-3662

Designed to fit floors 36" deep x 62" wide or smaller, including 36" x 60", 34" x 60", 34" x 54", 32" x 60", and 30" x 60" (ADA barrier free)

SPECIFICATIONS
MK96-3662 Multi-Kits

| Model | Part | Nominal Dimensions | Ship Wt. Lb. | Ship FedEx | Carton Dims. In. | Cu. Ft. |
|-----------|----------|--------------------|--------------|------------|------------------|---------|
| MK96-3662 | MK963662 | 36"D x 62"W x 96"H | 236 | — | 102 x 68 x 4 | 16.06 |

Kit Includes: Two side panels, one back panel, two corner soap dishes and installation materials.

Packaging: Packed in individual carton with convenient handles and palletized.

ACCESSORIES

See pages 59-60 for complete listing of all wall accessories.

STANDARDS AND RATINGS

American Society of Testing and Materials (ASTM) E-84: Class A Flame Spread Rating

American National Standard Institute—ANSI Z124.6

International Association of Plumbing and Mechanical Officials (IAPMO)—Listed

cUPC listed—Certified to CSA Test Standard B45.5 by IAPMO

Uniform Plumbing Code (UPC)

For a complete list of tests and results see the Technical Data Sheet.

SUPPORT DOCUMENTS

 Installation instructions available at swanstone.com.

 **MADE IN USA**
COLORS

(See inside back cover for color sample.)

Solid Colors:

- White (010)
- Bone (037)
- Bisque (018)
- Bright White (137)
- Pearl (138)

Aggregate Colors:

- Acorn (123) 🍂
- Almond Galaxy (046)
- Arctic Granite (035)
- Baby's Breath (168)
- Barley (091)
- Bermuda Sand (040)
- Canyon (124) 🍂
- Caraway Seed (169)
- Cloud Bone (126)
- Cloud White (125)
- Cornflower (063)
- Glacier (121) 🍂

- Golden Steppe (128)
- Gray Granite (042)
- Ice (130)
- Indian Grass (071)
- Mountain Haze (129)
- Night Sky (012)
- Pebble (072)
- Prairie (122) 🍂
- Sierra (094)
- Tahiti Desert (050)
- Tahiti Gray (053)
- Tahiti Ivory (059)
- Tahiti Matrix (058)
- Tahiti Sand (051)
- Tahiti Terra (055)
- Tahiti White (011)
- Tundra (131)
- Winter Wheat (060)

MAINTENANCE AND CLEANING INFORMATION

 Clean regularly with common household liquid cleaners and rinse within five minutes of application. Occasional scrubbing with abrasive cleaners ensures that the original luster will be maintained. **Do not** use "leave on" cleaning products, such as automatic spray shower cleaners. Prolonged contact with harsh chemicals could have an adverse reaction over time and discolor surfaces.

Do not use cleaning agents that caution use on acrylic, polyester or plastics.

Manufactured from Swanstone solid surface
(See page 2 for detailed information.)

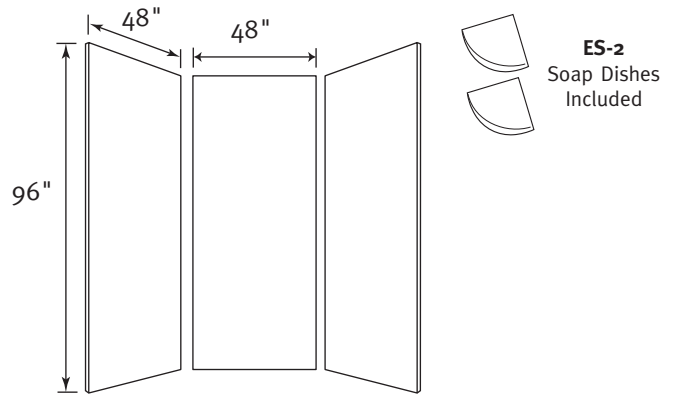
WARRANTY

Limited Lifetime – Residential
Limited 25-year – Commercial

Recommended for high-use traffic areas and commercial surfaces.

FEATURES

- Reinforced solid surface means color and texture run all the way through and cannot wear away.
- Will not mold or mildew, no grout to clean.
- Ideal for remodeling, panels glue up over existing surface.
- Coordinates with other Swanstone bath products.
- Can be easily trimmed to fit any shower application.
- Widest range of sizes to fit most any project.
- Heat resistant—walls can handle steamer units.
- Compression molding means superior durability.



Model MK 96-4848

Designed to fit floors 48" deep x 48" wide or smaller, including 48" x 48", 48" x 34", 42" x 42", 42" x 36", and 37" x 38" (ADA transfer)

SPECIFICATIONS

MK96-4848 Multi-Kits

| Model | Part | Nominal Dimensions | Ship Wt. Lb. | Ship FedEx | Carton Dims. In. | Cu. Ft. |
|-----------|----------|--------------------|--------------|------------|------------------|---------|
| MK96-4848 | MK964848 | 48"D x 48"W x 96"H | 304 | — | 102 x 54 x 4 | 12.75 |

Kit Includes: Two side panels, one back panel, two corner soap dishes and installation materials.

Packaging: Packed in individual carton with convenient handles and palletized.

ACCESSORIES

See pages 59-60 for complete listing of all wall accessories.

STANDARDS AND RATINGS

American Society of Testing and Materials (ASTM) E-84: Class A Flame Spread Rating

American National Standard Institute—ANSI Z124.6

International Association of Plumbing and Mechanical Officials (IAPMO)—Listed

cUPC listed—Certified to CSA Test Standard B45.5 by IAPMO

Uniform Plumbing Code (UPC)

For a complete list of tests and results see the Technical Data Sheet.

SUPPORT DOCUMENTS

Installation instructions available at swanstone.com.

 **MADE IN USA**

COLORS

(See inside back cover for color sample.)

Solid Colors:

- White (010)
- Bone (037)
- Bisque (018)
- Bright White (137)
- Pearl (138)

Aggregate Colors:

- Acorn (123) 
- Almond Galaxy (046)
- Arctic Granite (035)
- Baby's Breath (168)
- Barley (091)
- Bermuda Sand (040)
- Canyon (124) 
- Caraway Seed (169)
- Cloud Bone (126)
- Cloud White (125)
- Cornflower (063)
- Glacier (121) 

- Golden Steppe (128)
- Gray Granite (042)
- Ice (130)
- Indian Grass (071)
- Mountain Haze (129)
- Night Sky (012)
- Pebble (072)
- Prairie (122) 
- Sierra (094)
- Tahiti Desert (050)
- Tahiti Gray (053)
- Tahiti Ivory (059)
- Tahiti Matrix (058)
- Tahiti Sand (051)
- Tahiti Terra (055)
- Tahiti White (011)
- Tundra (131)
- Winter Wheat (060)

MAINTENANCE AND CLEANING INFORMATION

Clean regularly with common household liquid cleaners and rinse within five minutes of application. Occasional scrubbing with abrasive cleaners ensures that the original luster will be maintained. **Do not** use "leave on" cleaning products, such as automatic spray shower cleaners. Prolonged contact with harsh chemicals could have an adverse reaction over time and discolor surfaces. **Do not** use cleaning agents that caution use on acrylic, polyester or plastics.

Manufactured from Swanstone solid surface
(See page 2 for detailed information.)

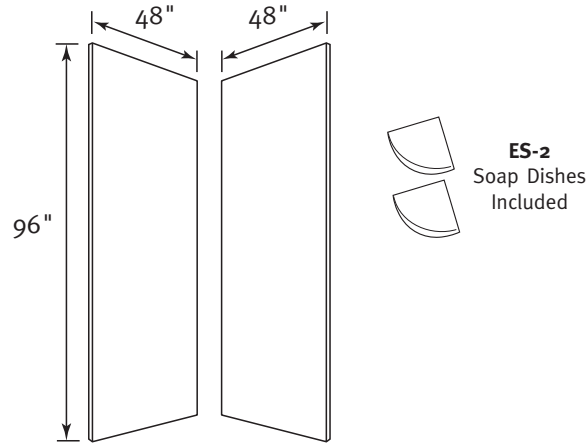
Recommended for high-use traffic areas and commercial surfaces.

WARRANTY

Limited Lifetime – Residential
Limited 25-year – Commercial

FEATURES

- Reinforced solid surface means color and texture run all the way through and cannot wear away.
- Will not mold or mildew, no grout to clean.
- Ideal for remodeling, panels glue up over existing surface.
- Coordinates with other Swanstone bath products.
- Can be easily trimmed to fit any shower application.
- Widest range of sizes to fit most any project.
- Heat resistant—walls can handle steamer units.
- Compression molding means superior durability.



Model MK 96-48NEO

Designed to fit floors 48" deep x 48" wide or smaller, including 48" x 48", 42" x 42", 38" x 38", 36" x 36"

SPECIFICATIONS

MK96-48NEO Multi-Kits

| Model | Part | Nominal Dimensions | Ship Wt. Lb. | Ship FedEx | Carton Dims. In. | Cu. Ft. |
|------------|-----------|--------------------|--------------|------------|------------------|---------|
| MK96-48NEO | MK9648NEO | 48"D x 48"W x 96"H | 214 | — | 102 x 54 x 4 | 12.75 |

Kit Includes: Two side panels, two corner soap dishes and installation materials.

Packaging: Packed in individual carton with convenient handles and palletized.

ACCESSORIES

See pages 59-60 for complete listing of all wall accessories.

STANDARDS AND RATINGS

American Society of Testing and Materials (ASTM) E-84: Class A Flame Spread Rating

American National Standard Institute—ANSI Z124.6

International Association of Plumbing and Mechanical Officials (IAPMO)—Listed

cUPC listed—Certified to CSA Test Standard B45.5 by IAPMO

Uniform Plumbing Code (UPC)

For a complete list of tests and results see the Technical Data Sheet.

SUPPORT DOCUMENTS

Installation instructions available at swanstone.com.

 **MADE IN USA**

COLORS

(See inside back cover for color sample.)

Solid Colors:

- White (010)
- Bone (037)
- Bisque (018)
- Bright White (137)
- Pearl (138)

Aggregate Colors:

- Acorn (123) ✎
- Almond Galaxy (046)
- Arctic Granite (035)
- Baby's Breath (168)
- Barley (091)
- Bermuda Sand (040)
- Canyon (124) ✎
- Caraway Seed (169)
- Cloud Bone (126)
- Cloud White (125)
- Cornflower (063)
- Glacier (121) ✎

- Golden Steppe (128)
- Gray Granite (042)
- Ice (130)
- Indian Grass (071)
- Mountain Haze (129)
- Night Sky (012)
- Pebble (072)
- Prairie (122) ✎
- Sierra (094)
- Tahiti Desert (050)
- Tahiti Gray (053)
- Tahiti Ivory (059)
- Tahiti Matrix (058)
- Tahiti Sand (051)
- Tahiti Terra (055)
- Tahiti White (011)
- Tundra (131)
- Winter Wheat (060)

MAINTENANCE AND CLEANING INFORMATION

Clean regularly with common household liquid cleaners and rinse within five minutes of application. Occasional scrubbing with abrasive cleaners ensures that the original luster will be maintained. **Do not** use "leave on" cleaning products, such as automatic spray shower cleaners. Prolonged contact with harsh chemicals could have an adverse reaction over time and discolor surfaces.

Do not use cleaning agents that caution use on acrylic, polyester or plastics.



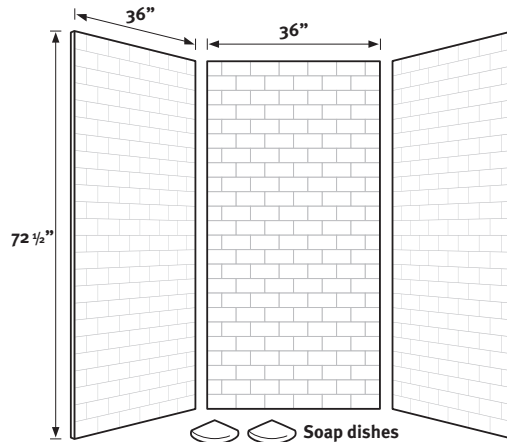
Manufactured from Swanstone solid surface
(See page 2 for detailed information.)

WARRANTY
Limited Lifetime – Residential
Limited 25-year – Commercial

Recommended for high-use traffic areas and commercial surfaces.

FEATURES

- Classic look of 3 x 6-inch subway tile provides timeless elegance for your bath.
- No grout to maintain; will not mold or mildew.
- Ideal for remodeling; easier to install than tile—panels glue up over existing surface.
- Coordinates with other Swanstone bath products.
- Heat resistant—walls can handle steamer units.
- Compression molding means superior durability.



Model STMK 72-3636

Designed to fit base areas
36" deep or smaller x 36" wide x 72" high

SPECIFICATIONS

STMK72-3636 Swanstone Subway Tile Shower Wall Kit

| Model | Part | Base Area Designed To Fit | Ship Wt. Lb. | Ship FedEx | Carton Dims. In. | Cu. Ft. |
|-------------|------------|---|-----------------|---------------|---------------------|---------|
| STMK72-3636 | STMK723636 | 36"D* x 36"W x 72-1/2"H (914 mm x 914 mm x 1829 mm) (*or smaller) | 192 | - | 42 X 4 x 78 | 7.6 |

Kit Includes: Two side panels, one back panel, two corner soap dishes and installation materials.

Packaging: Each kit is packed in an individual carton.

ACCESSORIES

See pages 59-60 for complete listing of all wall accessories.

STANDARDS AND RATINGS

American Society of Testing and Materials (ASTM) E-84: Class A Flame Spread Rating
American National Standard Institute—ANSI Z124.6

International Association of Plumbing and Mechanical Officials (IAPMO)—Listed
cUPC listed—Certified to CSA Test Standard B45.5 by IAPMO

Uniform Plumbing Code (UPC)

For a complete list of tests and results see the Technical Data Sheet.

SUPPORT DOCUMENTS

Installation instructions available at swanstone.com.

MADE IN USA

COLORS

(See inside back cover for color sample.)

Solid Colors:

- White (010)
- Bone (037)
- Bisque (018)
- Bright White (137)
- Pearl (138)

Aggregate Colors:

- Acorn (123)
- Almond Galaxy (046)
- Arctic Granite (035)
- Baby's Breath (168)
- Barley (091)
- Bermuda Sand (040)
- Canyon (124)
- Caraway Seed (169)
- Cloud Bone (126)
- Cloud White (125)
- Cornflower (063)
- Glacier (121)

- Golden Steppe (128)
- Gray Granite (042)
- Ice (130)
- Indian Grass (071)
- Mountain Haze (129)
- Night Sky (012)
- Pebble (072)
- Prairie (122)
- Sierra (094)
- Tahiti Desert (050)
- Tahiti Gray (053)
- Tahiti Ivory (059)
- Tahiti Matrix (058)
- Tahiti Sand (051)
- Tahiti Terra (055)
- Tahiti White (011)
- Tundra (131)
- Winter Wheat (060)

MAINTENANCE AND CLEANING INFORMATION

Clean regularly with common household liquid cleaners and rinse within five minutes of application. Occasional scrubbing with abrasive cleaners ensures that the original luster will be maintained. **Do not** use "leave on" cleaning products, such as automatic spray shower cleaners. Prolonged contact with harsh chemicals could have an adverse reaction over time and discolor surfaces. **Do not** use cleaning agents that caution use on acrylic, polyester or plastics.



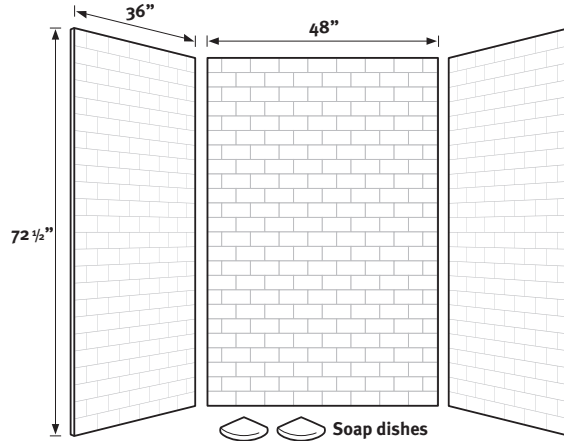
WARRANTY
 Limited Lifetime – Residential
 Limited 25-year – Commercial

Manufactured from Swanstone solid surface
 (See page 2 for detailed information.)

Recommended for high-use traffic areas and commercial surfaces.

FEATURES

- Classic look of 3 x 6-inch subway tile provides timeless elegance for your bath.
- No grout to maintain; will not mold or mildew.
- Ideal for remodeling; easier to install than tile—panels glue up over existing surface.
- Coordinates with other Swanstone bath products.
- Heat resistant—walls can handle steamer units.
- Compression molding means superior durability.



Model STMK 72-3648

Designed to fit base areas
 36" deep or smaller x 48" wide x 72" high

SPECIFICATIONS

STMK72-3648 Swanstone Subway Tile Shower Wall Kit

| Model | Part | Base Area Designed To Fit | Ship Wt. Lb. | Ship FedEx | Carton Dims. In. | Cu. Ft. |
|-------------|------------|--|--------------|------------|------------------|---------|
| STMK72-3648 | STMK723648 | 36"D* x 48"W x 72-1/2"H (914 mm x 1219 mm x 1829 mm) (*or smaller) | 144 | - | 54 x 4 x 78 | 9.6 |

Kit Includes: Two side panels, one back panel, two corner soap dishes and installation materials.

Packaging: Each kit is packed in an individual carton.

ACCESSORIES

See pages 59-60 for complete listing of all wall accessories.

STANDARDS AND RATINGS

American Society of Testing and Materials (ASTM) E-84: Class A Flame Spread Rating

American National Standard Institute—ANSI Z124.6

International Association of Plumbing and Mechanical Officials (IAPMO)—Listed

cUPC listed—Certified to CSA Test Standard B45.5 by IAPMO

Uniform Plumbing Code (UPC)

For a complete list of tests and results see the Technical Data Sheet.

SUPPORT DOCUMENTS

Installation instructions available at swanstone.com.

MADE IN USA

COLORS

(See inside back cover for color sample.)

Solid Colors:

- White (010)
- Bone (037)
- Bisque (018)
- Bright White (137)
- Pearl (138)

Aggregate Colors:

- Acorn (123)
- Almond Galaxy (046)
- Arctic Granite (035)
- Baby's Breath (168)
- Barley (091)
- Bermuda Sand (040)
- Canyon (124)
- Caraway Seed (169)
- Cloud Bone (126)
- Cloud White (125)
- Cornflower (063)
- Glacier (121)

- Golden Steppe (128)
- Gray Granite (042)
- Ice (130)
- Indian Grass (071)
- Mountain Haze (129)
- Night Sky (012)
- Pebble (072)
- Prairie (122)
- Sierra (094)
- Tahiti Desert (050)
- Tahiti Gray (053)
- Tahiti Ivory (059)
- Tahiti Matrix (058)
- Tahiti Sand (051)
- Tahiti Terra (055)
- Tahiti White (011)
- Tundra (131)
- Winter Wheat (060)

MAINTENANCE AND CLEANING INFORMATION

Clean regularly with common household liquid cleaners and rinse within five minutes of application. Occasional scrubbing with abrasive cleaners ensures that the original luster will be maintained. **Do not** use "leave on" cleaning products, such as automatic spray shower cleaners. Prolonged contact with harsh chemicals could have an adverse reaction over time and discolor surfaces. **Do not** use cleaning agents that caution use on acrylic, polyester or plastics.



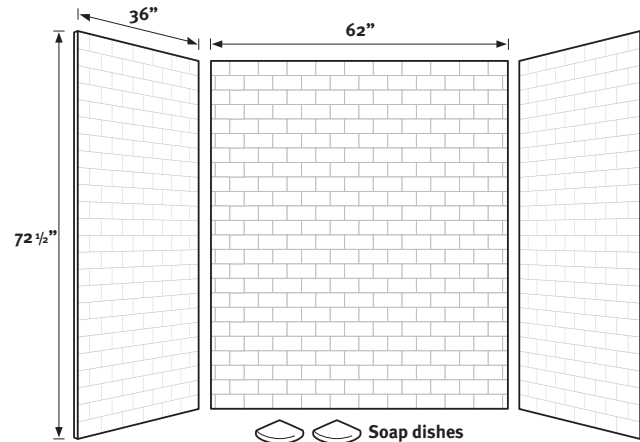
Manufactured from Swanstone solid surface
(see page 2 for detailed information.)

WARRANTY
Limited Lifetime – Residential
Limited 25-year – Commercial

Recommended for high-use traffic areas and commercial surfaces.

FEATURES

- Classic look of 3 x 6-inch subway tile provides timeless elegance for your bath.
- No grout to maintain; will not mold or mildew.
- Ideal for remodeling; easier to install than tile—panels glue up over existing surface.
- Coordinates with other Swanstone bath products.
- Heat resistant—walls can handle steamer units.
- Compression molding means superior durability.



Model STMK 72-3662

Designed to fit base areas
36" deep or smaller x 62" wide x 72" high

SPECIFICATIONS

STMK72-3662 Swanstone Subway Tile Shower Wall Kit

| Model | Part | Base Area Designed To Fit | Ship Wt. Lb. | Ship FedEx | Carton Dims. In. | Cu. Ft. |
|-------------|------------|--|-----------------|---------------|---------------------|---------|
| STMK72-3662 | STMK723662 | 36"D* x 62"W x 72-1/2"H (914 mm x 1575 mm x 1829 mm) (*or smaller) | 236 | - | 68 x 4 x 78 | 12.3 |

Kit Includes: Two side panels, one back panel, two corner soap dishes and installation materials.

Packaging: Each kit is packed in an individual carton.

ACCESSORIES

See pages 59-60 for complete listing of all wall accessories.

STANDARDS AND RATINGS

American Society of Testing and Materials (ASTM) E-84: Class A Flame Spread Rating
American National Standard Institute—ANSI Z124.6

International Association of Plumbing and Mechanical Officials (IAPMO)—Listed
cUPC listed—Certified to CSA Test Standard B45.5 by IAPMO

Uniform Plumbing Code (UPC)

For a complete list of tests and results see the Technical Data Sheet.

SUPPORT DOCUMENTS

Installation instructions available at swanstone.com.



COLORS

(See inside back cover for color sample.)

Solid Colors:

- White (010)
- Bone (037)
- Bisque (018)
- Bright White (137)
- Pearl (138)

Aggregate Colors:

- Acorn (123) 🍂
- Almond Galaxy (046)
- Arctic Granite (035)
- Baby's Breath (168)
- Barley (091)
- Bermuda Sand (040)
- Canyon (124) 🍂
- Caraway Seed (169)
- Cloud Bone (126)
- Cloud White (125)
- Cornflower (063)
- Glacier (121) 🍂

- Golden Steppe (128)
- Gray Granite (042)
- Ice (130)
- Indian Grass (071)
- Mountain Haze (129)
- Night Sky (012)
- Pebble (072)
- Prairie (122) 🍂
- Sierra (094)
- Tahiti Desert (050)
- Tahiti Gray (053)
- Tahiti Ivory (059)
- Tahiti Matrix (058)
- Tahiti Sand (051)
- Tahiti Terra (055)
- Tahiti White (011)
- Tundra (131)
- Winter Wheat (060)

MAINTENANCE AND CLEANING INFORMATION

Clean regularly with common household liquid cleaners and rinse within five minutes of application. Occasional scrubbing with abrasive cleaners ensures that the original luster will be maintained. **Do not** use "leave on" cleaning products, such as automatic spray shower cleaners. Prolonged contact with harsh chemicals could have an adverse reaction over time and discolor surfaces. **Do not** use cleaning agents that caution use on acrylic, polyester or plastics.

WARRANTY

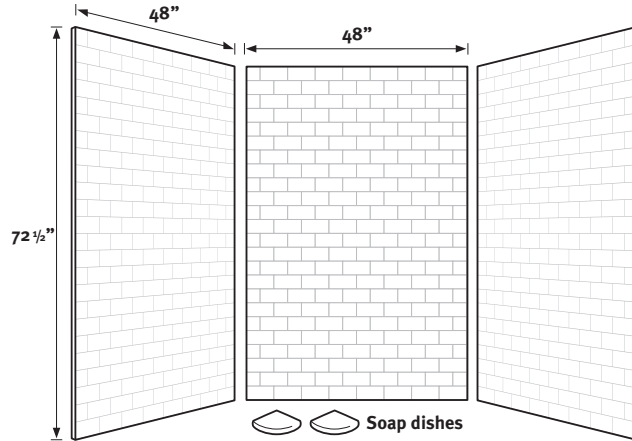
Limited Lifetime – Residential
 Limited 25-year – Commercial

Manufactured from Swanstone solid surface
 (See page 2 for detailed information.)

Recommended for high-use traffic areas and commercial surfaces.

FEATURES

- Classic look of 3 x 6-inch subway tile provides timeless elegance for your bath.
- No grout to maintain; will not mold or mildew.
- Ideal for remodeling; easier to install than tile—panels glue up over existing surface.
- Coordinates with other Swanstone bath products.
- Heat resistant—walls can handle steamer units.
- Compression molding means superior durability.



Model STMK 72-4848

Designed to fit base areas
 48" deep or smaller x 48" wide x 72" high

SPECIFICATIONS
STMK72-4848 Swanstone Subway Tile Shower Wall Kit

| Model | Part | Base Area Designed To Fit | Ship Wt. Lb. | Ship FedEx | Carton Dims. In. | Cu. Ft. |
|-------------|------------|---|-----------------|---------------|---------------------|---------|
| STMK72-4848 | STMK724848 | 48"D* x 48"W x 72-1/2"H (1219 mm x 1219 mm x 1829 mm) (*or smaller) | 25.8 | - | 54 x 4 x 78 | 9.6 |

Kit Includes: Two side panels, one back panel, two corner soap dishes and installation materials.

Packaging: Each kit is packed in an individual carton.

ACCESSORIES

See pages 59-60 for complete listing of all wall accessories.

STANDARDS AND RATINGS

American Society of Testing and Materials (ASTM) E-84: Class A Flame Spread Rating
 American National Standard Institute—ANSI Z124.6

International Association of Plumbing and Mechanical Officials (IAPMO)—Listed
 cUPC listed—Certified to CSA Test Standard B45.5 by IAPMO

Uniform Plumbing Code (UPC)

For a complete list of tests and results see the Technical Data Sheet.

SUPPORT DOCUMENTS

Installation instructions available at swanstone.com.

 **MADE IN USA**

COLORS

(See inside back cover for color sample.)

Solid Colors:

- White (010)
- Bone (037)
- Bisque (018)
- Bright White (137)
- Pearl (138)

Aggregate Colors:

- Acorn (123) 🍂
- Almond Galaxy (046)
- Arctic Granite (035)
- Baby's Breath (168)
- Barley (091)
- Bermuda Sand (040)
- Canyon (124) 🍂
- Caraway Seed (169)
- Cloud Bone (126)
- Cloud White (125)
- Cornflower (063)
- Glacier (121) 🍂

- Golden Steppe (128)
- Gray Granite (042)
- Ice (130)
- Indian Grass (071)
- Mountain Haze (129)
- Night Sky (012)
- Pebble (072)
- Prairie (122) 🍂
- Sierra (094)
- Tahiti Desert (050)
- Tahiti Gray (053)
- Tahiti Ivory (059)
- Tahiti Matrix (058)
- Tahiti Sand (051)
- Tahiti Terra (055)
- Tahiti White (011)
- Tundra (131)
- Winter Wheat (060)

**MAINTENANCE AND
 CLEANING INFORMATION**

Clean regularly with common household liquid cleaners and rinse within five minutes of application. Occasional scrubbing with abrasive cleaners ensures that the original luster will be maintained. **Do not** use "leave on" cleaning products, such as automatic spray shower cleaners. Prolonged contact with harsh chemicals could have an adverse reaction over time and discolor surfaces. **Do not** use cleaning agents that caution use on acrylic, polyester or plastics.



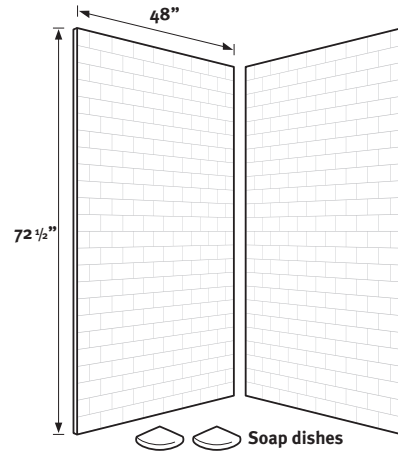
Manufactured from Swanstone solid surface
(See page 2 for detailed information.)

WARRANTY
Limited Lifetime – Residential
Limited 25-year – Commercial

Recommended for high-use traffic areas and commercial surfaces.

FEATURES

- Classic look of 3 x 6-inch subway tile provides timeless elegance for your bath.
- No grout to maintain; will not mold or mildew.
- Ideal for remodeling; easier to install than tile—panels glue up over existing surface.
- Coordinates with other Swanstone bath products.
- Heat resistant—walls can handle steamer units.
- Compression molding means superior durability.



Model STMK 72-48NEO
Designed to fit base areas
48" deep or smaller x 48" wide x 72" high

SPECIFICATIONS

STMK72-48NEO Swanstone Subway Tile Shower Wall Kit

| Model | Part | Base Area Designed To Fit | Ship Wt. Lb. | Ship FedEx | Carton Dims. In. | Cu. Ft. |
|--------------|-------------|---|-----------------|---------------|---------------------|---------|
| STMK72-48NEO | STMK7248NEO | 48"D* x 48"W x 72-1/2"H (1219 mm x 1219 mm x 1829 mm) (*or smaller) | 191 | - | 54 x 4 x 78 | 9.6 |

Kit Includes: Two side panels, two corner soap dishes and installation materials.
Packaging: Each kit is packed in an individual carton.

ACCESSORIES

See pages 59-60 for complete listing of all wall accessories.

STANDARDS AND RATINGS

American Society of Testing and Materials (ASTM) E-84: Class A Flame Spread Rating
American National Standard Institute—ANSI Z124.6
International Association of Plumbing and Mechanical Officials (IAPMO)—Listed
cUPC listed—Certified to CSA Test Standard B45.5 by IAPMO
Uniform Plumbing Code (UPC)

For a complete list of tests and results see the Technical Data Sheet.

SUPPORT DOCUMENTS

Installation instructions available at swanstone.com.



COLORS

(See inside back cover for color sample.)

Solid Colors:

- White (010)
- Bone (037)
- Bisque (018)
- Bright White (137)
- Pearl (138)

Aggregate Colors:

- Acorn (123) 🍂
- Almond Galaxy (046)
- Arctic Granite (035)
- Baby's Breath (168)
- Barley (091)
- Bermuda Sand (040)
- Canyon (124) 🍂
- Caraway Seed (169)
- Cloud Bone (126)
- Cloud White (125)
- Cornflower (063)
- Glacier (121) 🍂

- Golden Steppe (128)
- Gray Granite (042)
- Ice (130)
- Indian Grass (071)
- Mountain Haze (129)
- Night Sky (012)
- Pebble (072)
- Prairie (122) 🍂
- Sierra (094)
- Tahiti Desert (050)
- Tahiti Gray (053)
- Tahiti Ivory (059)
- Tahiti Matrix (058)
- Tahiti Sand (051)
- Tahiti Terra (055)
- Tahiti White (011)
- Tundra (131)
- Winter Wheat (060)

MAINTENANCE AND CLEANING INFORMATION

Clean regularly with common household liquid cleaners and rinse within five minutes of application. Occasional scrubbing with abrasive cleaners ensures that the original luster will be maintained. **Do not** use "leave on" cleaning products, such as automatic spray shower cleaners. Prolonged contact with harsh chemicals could have an adverse reaction over time and discolor surfaces. **Do not** use cleaning agents that caution use on acrylic, polyester or plastics.



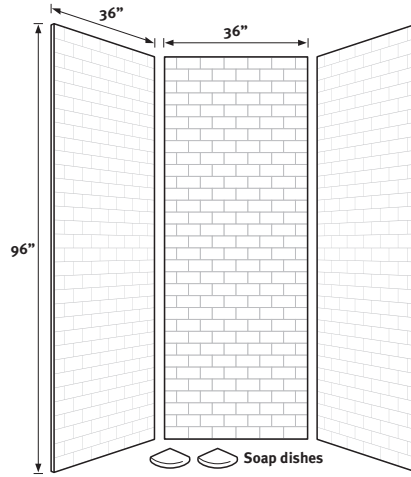
WARRANTY
Limited Lifetime - Residential
Limited 25-year - Commercial

Manufactured from Swanstone solid surface
(See page 2 for detailed information.)

Recommended for high-use traffic areas and commercial surfaces.

FEATURES

- Classic look of 3 x 6-inch subway tile provides timeless elegance for your bath.
No grout to maintain; will not mold or mildew.
Ideal for remodeling; easier to install than tile—panels glue up over existing surface.
Coordinates with other Swanstone bath products.
Heat resistant—walls can handle steamer units.
Compression molding means superior durability.



Model STMK 96-3636
Designed to fit base areas
36" deep or smaller x 36" wide x 96" high

SPECIFICATIONS

STMK96-3636 Swanstone Subway Tile Shower Wall Kit

Table with 7 columns: Model, Part, Base Area Designed To Fit, Ship Wt. Lb., Ship FedEx, Carton Dims. In., Cu. Ft. Row 1: STMK96-3636, STMK963636, 36"D* x 36"W x 96"H (914 mm x 914 mm x 2438 mm) (*or smaller), 245, -, 42 x 4 x 102, 10

Kit Includes: Two side panels, one back panel, two corner soap dishes and installation materials.

Packaging: Each kit is packed in an individual carton.

ACCESSORIES

See pages 59-60 for complete listing of all wall accessories.

STANDARDS AND RATINGS

American Society of Testing and Materials (ASTM) E-84: Class A Flame Spread Rating

American National Standard Institute—ANSI Z124.6

International Association of Plumbing and Mechanical Officials (IAPMO)—Listed

cUPC listed—Certified to CSA Test Standard B45.5 by IAPMO

Uniform Plumbing Code (UPC)

For a complete list of tests and results see the Technical Data Sheet.

SUPPORT DOCUMENTS

Installation instructions available at swanstone.com.

MADE IN USA

COLORS

(See inside back cover for color sample.)

Solid Colors:

- White (010)
Bone (037)
Bisque (018)
Bright White (137)
Pearl (138)

Aggregate Colors:

- Acorn (123)
Almond Galaxy (046)
Arctic Granite (035)
Baby's Breath (168)
Barley (091)
Bermuda Sand (040)
Canyon (124)
Caraway Seed (169)
Cloud Bone (126)
Cloud White (125)
Cornflower (063)
Glacier (121)

- Golden Steppe (128)
Gray Granite (042)
Ice (130)
Indian Grass (071)
Mountain Haze (129)
Night Sky (012)
Pebble (072)
Prairie (122)
Sierra (094)
Tahiti Desert (050)
Tahiti Gray (053)
Tahiti Ivory (059)
Tahiti Matrix (058)
Tahiti Sand (051)
Tahiti Terra (055)
Tahiti White (011)
Tundra (131)
Winter Wheat (060)

MAINTENANCE AND CLEANING INFORMATION

Clean regularly with common household liquid cleaners and rinse within five minutes of application. Occasional scrubbing with abrasive cleaners ensures that the original luster will be maintained. Do not use "leave on" cleaning products, such as automatic spray shower cleaners. Prolonged contact with harsh chemicals could have an adverse reaction over time and discolor surfaces. Do not use cleaning agents that caution use on acrylic, polyester or plastics.



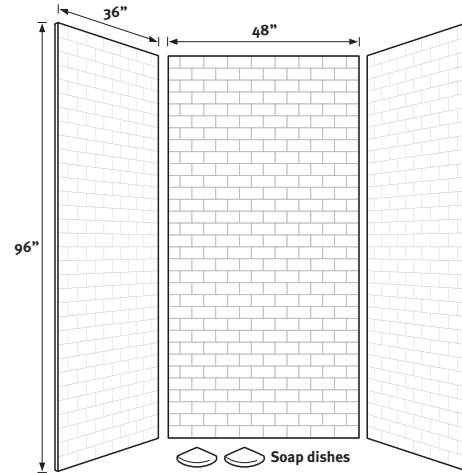
Manufactured from Swanstone solid surface
(See page 2 for detailed information.)

WARRANTY
Limited Lifetime – Residential
Limited 25-year – Commercial

Recommended for high-use traffic areas and commercial surfaces.

FEATURES

- Classic look of 3 x 6-inch subway tile provides timeless elegance for your bath.
- No grout to maintain; will not mold or mildew.
- Ideal for remodeling; easier to install than tile—panels glue up over existing surface.
- Coordinates with other Swanstone bath products.
- Heat resistant—walls can handle steamer units.
- Compression molding means superior durability.



Model STMK 96-3648
Designed to fit base areas
36" deep or smaller x 48" wide x 96" high

SPECIFICATIONS

STMK96-3648 Swanstone Subway Tile Shower Wall Kit

| Model | Part | Base Area Designed To Fit | Ship Wt. Lb. | Ship FedEx | Carton Dims. In. | Cu. Ft. |
|-------------|------------|--|-----------------|---------------|---------------------|---------|
| STMK96-3648 | STMK963648 | 36"D* x 48"W x 96"H (914 mm x 1219 mm x 2438 mm) (*or smaller) | 232 | - | 54 x 4 x 102 | 12.75 |

Kit Includes: Two side panels, one back panel, two corner soap dishes and installation materials.

Packaging: Each kit is packed in an individual carton.

ACCESSORIES

See pages 59-60 for complete listing of all wall accessories.

STANDARDS AND RATINGS

American Society of Testing and Materials (ASTM) E-84: Class A Flame Spread Rating
American National Standard Institute—ANSI Z124.6

International Association of Plumbing and Mechanical Officials (IAPMO)—Listed
cUPC listed—Certified to CSA Test Standard B45.5 by IAPMO
Uniform Plumbing Code (UPC)

For a complete list of tests and results see the Technical Data Sheet.

SUPPORT DOCUMENTS

Installation instructions available at swanstone.com.

MADE IN USA

COLORS

(See inside back cover for color sample.)

Solid Colors:

- White (010)
- Bone (037)
- Bisque (018)
- Bright White (137)
- Pearl (138)

Aggregate Colors:

- Acorn (123)
- Almond Galaxy (046)
- Arctic Granite (035)
- Baby's Breath (168)
- Barley (091)
- Bermuda Sand (040)
- Canyon (124)
- Caraway Seed (169)
- Cloud Bone (126)
- Cloud White (125)
- Cornflower (063)
- Glacier (121)

- Golden Steppe (128)
- Gray Granite (042)
- Ice (130)
- Indian Grass (071)
- Mountain Haze (129)
- Night Sky (012)
- Pebble (072)
- Prairie (122)
- Sierra (094)
- Tahiti Desert (050)
- Tahiti Gray (053)
- Tahiti Ivory (059)
- Tahiti Matrix (058)
- Tahiti Sand (051)
- Tahiti Terra (055)
- Tahiti White (011)
- Tundra (131)
- Winter Wheat (060)

MAINTENANCE AND CLEANING INFORMATION

Clean regularly with common household liquid cleaners and rinse within five minutes of application. Occasional scrubbing with abrasive cleaners ensures that the original luster will be maintained. **Do not** use "leave on" cleaning products, such as automatic spray shower cleaners. Prolonged contact with harsh chemicals could have an adverse reaction over time and discolor surfaces. **Do not** use cleaning agents that caution use on acrylic, polyester or plastics.



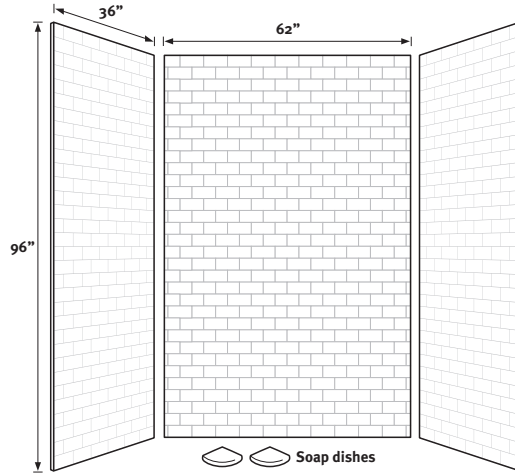
WARRANTY
 Limited Lifetime – Residential
 Limited 25-year – Commercial

Manufactured from Swanstone solid surface
 (See page 2 for detailed information.)

Recommended for high-use traffic areas and commercial surfaces.

FEATURES

- Classic look of 3 x 6-inch subway tile provides timeless elegance for your bath.
- No grout to maintain; will not mold or mildew.
- Ideal for remodeling; easier to install than tile—panels glue up over existing surface.
- Coordinates with other Swanstone bath products.
- Heat resistant—walls can handle steamer units.
- Compression molding means superior durability.



Model STMK 96-3662

Designed to fit base areas
 36" deep or smaller x 62" wide x 96" high

SPECIFICATIONS

STMK96-3662 Swanstone Subway Tile Shower Wall Kit

| Model | Part | Base Area Designed To Fit | Ship Wt. Lb. | Ship FedEx | Carton Dims. In. | Cu. Ft. |
|-------------|------------|--|-----------------|---------------|---------------------|---------|
| STMK96-3662 | STMK963662 | 36"D* x 62"W x 96"H (914 mm x 1575 mm x 2438 mm) (*or smaller) | 247 | - | 68 x 4 x 102 | 16.06 |

Kit Includes: Two side panels, one back panel, two corner soap dishes and installation materials.

Packaging: Each kit is packed in an individual carton.

ACCESSORIES

See pages 59-60 for complete listing of all wall accessories.

STANDARDS AND RATINGS

American Society of Testing and Materials (ASTM) E-84: Class A Flame Spread Rating
 American National Standard Institute—ANSI Z124.6

International Association of Plumbing and Mechanical Officials (IAPMO)—Listed
 cUPC listed—Certified to CSA Test Standard B45.5 by IAPMO

Uniform Plumbing Code (UPC)

For a complete list of tests and results see the Technical Data Sheet.

SUPPORT DOCUMENTS

Installation instructions available at swanstone.com.

MADE IN USA

COLORS

(See inside back cover for color sample.)

Solid Colors:

- White (010)
- Bone (037)
- Bisque (018)
- Bright White (137)
- Pearl (138)

Aggregate Colors:

- Acorn (123) 🍂
- Almond Galaxy (046)
- Arctic Granite (035)
- Baby's Breath (168)
- Barley (091)
- Bermuda Sand (040)
- Canyon (124) 🍂
- Caraway Seed (169)
- Cloud Bone (126)
- Cloud White (125)
- Cornflower (063)
- Glacier (121) 🍂

- Golden Steppe (128)
- Gray Granite (042)
- Ice (130)
- Indian Grass (071)
- Mountain Haze (129)
- Night Sky (012)
- Pebble (072)
- Prairie (122) 🍂
- Sierra (094)
- Tahiti Desert (050)
- Tahiti Gray (053)
- Tahiti Ivory (059)
- Tahiti Matrix (058)
- Tahiti Sand (051)
- Tahiti Terra (055)
- Tahiti White (011)
- Tundra (131)
- Winter Wheat (060)

MAINTENANCE AND CLEANING INFORMATION

Clean regularly with common household liquid cleaners and rinse within five minutes of application. Occasional scrubbing with abrasive cleaners ensures that the original luster will be maintained. **Do not** use "leave on" cleaning products, such as automatic spray shower cleaners. Prolonged contact with harsh chemicals could have an adverse reaction over time and discolor surfaces. **Do not** use cleaning agents that caution use on acrylic, polyester or plastics.



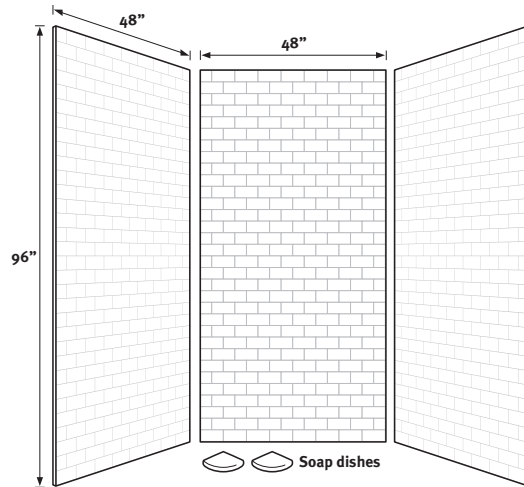
Manufactured from Swanstone solid surface
(See page 2 for detailed information.)

WARRANTY
Limited Lifetime – Residential
Limited 25-year – Commercial

Recommended for high-use traffic areas and commercial surfaces.

FEATURES

- Classic look of 3 x 6-inch subway tile provides timeless elegance for your bath.
- No grout to maintain; will not mold or mildew.
- Ideal for remodeling; easier to install than tile—panels glue up over existing surface.
- Coordinates with other Swanstone bath products.
- Heat resistant—walls can handle steamer units.
- Compression molding means superior durability.



Model STMK 96-4848
Designed to fit base areas
48" deep or smaller x 48" wide x 96" high

SPECIFICATIONS

STMK96-4848 Swanstone Subway Tile Shower Wall Kit

| Model | Part | Base Area Designed To Fit | Ship Wt. Lb. | Ship FedEx | Carton Dims. In. | Cu. Ft. |
|-------------|------------|---|-----------------|---------------|---------------------|---------|
| STMK96-4848 | STMK964848 | 48"D* x 48"W x 96"H (1219 mm x 1219 mm x 2438 mm) (*or smaller) | 304 | - | 54 x 4 x 102 | 12.75 |

Kit Includes: Two side panels, one back panel, two corner soap dishes and installation materials.

Packaging: Each kit is packed in an individual carton.

ACCESSORIES

See pages 59-60 for complete listing of all wall accessories.

STANDARDS AND RATINGS

American Society of Testing and Materials (ASTM) E-84: Class A Flame Spread Rating
American National Standard Institute—ANSI Z124.6

International Association of Plumbing and Mechanical Officials (IAPMO)—Listed
cUPC listed—Certified to CSA Test Standard B45.5 by IAPMO

Uniform Plumbing Code (UPC)

For a complete list of tests and results see the Technical Data Sheet.

SUPPORT DOCUMENTS

Installation instructions available at swanstone.com.

MADE IN USA

COLORS

(See inside back cover for color sample.)

Solid Colors:

- White (010)
- Bone (037)
- Bisque (018)
- Bright White (137)
- Pearl (138)

Aggregate Colors:

- Acorn (123)
- Almond Galaxy (046)
- Arctic Granite (035)
- Baby's Breath (168)
- Barley (091)
- Bermuda Sand (040)
- Canyon (124)
- Caraway Seed (169)
- Cloud Bone (126)
- Cloud White (125)
- Cornflower (063)
- Glacier (121)

- Golden Steppe (128)
- Gray Granite (042)
- Ice (130)
- Indian Grass (071)
- Mountain Haze (129)
- Night Sky (012)
- Pebble (072)
- Prairie (122)
- Sierra (094)
- Tahiti Desert (050)
- Tahiti Gray (053)
- Tahiti Ivory (059)
- Tahiti Matrix (058)
- Tahiti Sand (051)
- Tahiti Terra (055)
- Tahiti White (011)
- Tundra (131)
- Winter Wheat (060)

MAINTENANCE AND CLEANING INFORMATION

Clean regularly with common household liquid cleaners and rinse within five minutes of application. Occasional scrubbing with abrasive cleaners ensures that the original luster will be maintained. **Do not** use "leave on" cleaning products, such as automatic spray shower cleaners. Prolonged contact with harsh chemicals could have an adverse reaction over time and discolor surfaces. **Do not** use cleaning agents that caution use on acrylic, polyester or plastics.

WARRANTY

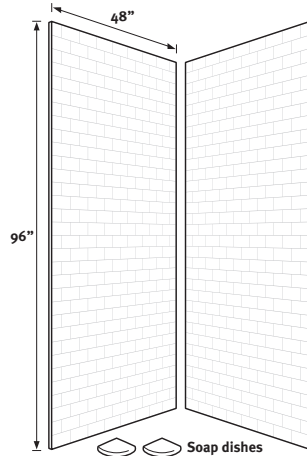
Limited Lifetime – Residential
 Limited 25-year – Commercial

Manufactured from Swanstone solid surface
 (See page 2 for detailed information.)

Recommended for high-use traffic areas and commercial surfaces.

FEATURES

- Classic look of 3 x 6-inch subway tile provides timeless elegance for your bath.
- No grout to maintain; will not mold or mildew.
- Ideal for remodeling; easier to install than tile—panels glue up over existing surface.
- Coordinates with other Swanstone bath products.
- Heat resistant—walls can handle steamer units.
- Compression molding means superior durability.



Model STMK 96-48NEO

Designed to fit base areas
 48" deep or smaller x 48" wide x 96" high

SPECIFICATIONS
STMK96-48NEO Swanstone Subway Tile Shower Wall Kit

| Model | Part | Base Area Designed To Fit | Ship Wt. Lb. | Ship FedEx | Carton Dims. In. | Cu. Ft. |
|--------------|-------------|---|-----------------|---------------|---------------------|---------|
| STMK96-48NEO | STMK9648NEO | 48"D* x 48"W x 96"H (1219 mm x 1219 mm x 2438 mm) (*or smaller) | 214 | - | 54 x 4 x 102 | 12.75 |

Kit Includes: Two side panels, two corner soap dishes and installation materials.

Packaging: Each kit is packed in an individual carton.

ACCESSORIES

See pages 59-60 for complete listing of all wall accessories.

STANDARDS AND RATINGS

American Society of Testing and Materials (ASTM) E-84: Class A Flame Spread Rating

American National Standard Institute—ANSI Z124.6

International Association of Plumbing and Mechanical Officials (IAPMO)—Listed

cUPC listed—Certified to CSA Test Standard B45.5 by IAPMO

Uniform Plumbing Code (UPC)

For a complete list of tests and results see the Technical Data Sheet.

SUPPORT DOCUMENTS

Installation instructions available at swanstone.com.

 **MADE IN USA**

COLORS

(See inside back cover for color sample.)

Solid Colors:

- White (010)
- Bone (037)
- Bisque (018)
- Bright White (137)
- Pearl (138)

Aggregate Colors:

- Acorn (123) 🍂
- Almond Galaxy (046)
- Arctic Granite (035)
- Baby's Breath (168)
- Barley (091)
- Bermuda Sand (040)
- Canyon (124) 🍂
- Caraway Seed (169)
- Cloud Bone (126)
- Cloud White (125)
- Cornflower (063)
- Glacier (121) 🍂

- Golden Steppe (128)
- Gray Granite (042)
- Ice (130)
- Indian Grass (071)
- Mountain Haze (129)
- Night Sky (012)
- Pebble (072)
- Prairie (122) 🍂
- Sierra (094)
- Tahiti Desert (050)
- Tahiti Gray (053)
- Tahiti Ivory (059)
- Tahiti Matrix (058)
- Tahiti Sand (051)
- Tahiti Terra (055)
- Tahiti White (011)
- Tundra (131)
- Winter Wheat (060)

MAINTENANCE AND CLEANING INFORMATION

Clean regularly with common household liquid cleaners and rinse within five minutes of application. Occasional scrubbing with abrasive cleaners ensures that the original luster will be maintained. **Do not** use "leave on" cleaning products, such as automatic spray shower cleaners. Prolonged contact with harsh chemicals could have an adverse reaction over time and discolor surfaces. **Do not** use cleaning agents that caution use on acrylic, polyester or plastics.

Manufactured from Swanstone solid surface
(See page 2 for detailed information.)

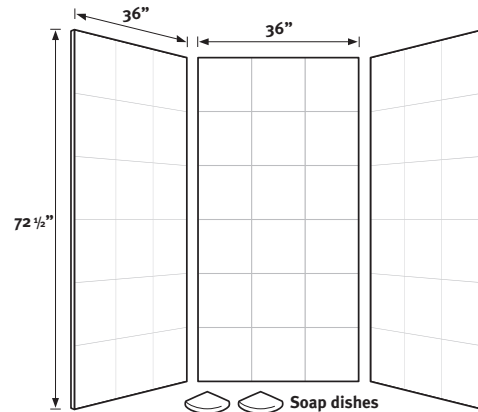
WARRANTY

Limited Lifetime – Residential
Limited 25-year – Commercial

Recommended for high-use traffic areas and commercial surfaces.

FEATURES

- Chamfered-edges on the 12-inch square tile pattern provide the high-end look of travertine.
- No grout to maintain; will not mold or mildew.
- Ideal for remodeling; easier to install than tile—panels glue up over existing surface.
- Coordinates with Swanstone bath products.
- Heat resistant—walls can handle steamer units.
- Compression molding means superior durability.



Model SQMK 72-3636

Designed to fit base areas
36" deep or smaller x 36" wide x 72" high

SPECIFICATIONS

SQMK72-3636 Swanstone Square Tile Shower Wall Kit

| Model | Part | Base Area Designed To Fit | Ship Wt. Lb. | Ship FedEx | Carton Dims. In. | Cu. Ft. |
|-------------|------------|---|-----------------|---------------|---------------------|---------|
| SQMK72-3636 | SQMK723636 | 36"D* x 36"W x 72-1/2"H (914 mm x 914 mm x 1829 mm) (*or smaller) | 192 | - | 42 x 4 x 78 | 7.6 |

Kit Includes: Two side panels, one back panel, two corner soap dishes and installation materials.

Packaging: Each kit is packed in an individual carton.

ACCESSORIES

See pages 59-60 for complete listing of all wall accessories.

STANDARDS AND RATINGS

American Society of Testing and Materials (ASTM) E-84: Class A Flame Spread Rating
American National Standard Institute—ANSI Z124.6

International Association of Plumbing and Mechanical Officials (IAPMO)—Listed
cUPC listed—Certified to CSA Test Standard B45.5 by IAPMO

Uniform Plumbing Code (UPC)

For a complete list of tests and results see the Technical Data Sheet.

SUPPORT DOCUMENTS

Installation instructions available at swanstone.com.

 **MADE IN USA**

COLORS

(See inside back cover for color sample.)

Solid Colors:

- White (010)
- Bone (037)
- Bisque (018)
- Bright White (137)
- Pearl (138)

Aggregate Colors:

- Acorn (123) 
- Almond Galaxy (046)
- Arctic Granite (035)
- Baby's Breath (168)
- Barley (091)
- Bermuda Sand (040)
- Canyon (124) 
- Caraway Seed (169)
- Cloud Bone (126)
- Cloud White (125)
- Cornflower (063)
- Glacier (121) 

- Golden Steppe (128)
- Gray Granite (042)
- Ice (130)
- Indian Grass (071)
- Mountain Haze (129)
- Night Sky (012)
- Pebble (072)
- Prairie (122) 
- Sierra (094)
- Tahiti Desert (050)
- Tahiti Gray (053)
- Tahiti Ivory (059)
- Tahiti Matrix (058)
- Tahiti Sand (051)
- Tahiti Terra (055)
- Tahiti White (011)
- Tundra (131)
- Winter Wheat (060)

MAINTENANCE AND CLEANING INFORMATION

Clean regularly with common household liquid cleaners and rinse within five minutes of application. Occasional scrubbing with abrasive cleaners ensures that the original luster will be maintained. **Do not** use "leave on" cleaning products, such as automatic spray shower cleaners. Prolonged contact with harsh chemicals could have an adverse reaction over time and discolor surfaces. **Do not** use cleaning agents that caution use on acrylic, polyester or plastics.

WARRANTY

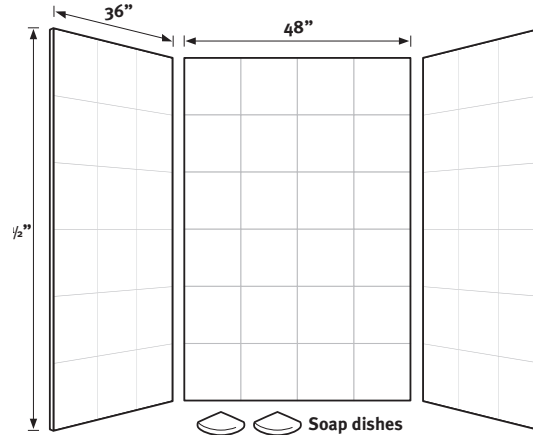
Limited Lifetime – Residential
Limited 25-year – Commercial

Manufactured from Swanstone solid surface
(See page 2 for detailed information.)

Recommended for high-use traffic areas and commercial surfaces.

FEATURES

- Chamfered-edges on the 12-inch square tile pattern provide the high-end look of travertine.
- No grout to maintain; will not mold or mildew.
- Ideal for remodeling; easier to install than tile—panels glue up over existing surface.
- Coordinates with other Swanstone bath products.
- Heat resistant—walls can handle steamer units.
- Compression molding means superior durability.



Model SQMK 72-3648

Designed to fit base areas
36" deep or smaller x 48" wide x 72" high

SPECIFICATIONS

SQMK72-3648 Swanstone Square Tile Shower Wall Kit

| Model | Part | Base Area Designed To Fit | Ship Wt. Lb. | Ship FedEx | Carton Dims. In. | Cu. Ft. |
|-------------|------------|--|-----------------|---------------|---------------------|---------|
| SQMK72-3648 | SQMK723648 | 36"D* x 48"W x 72-1/2"H (914 mm x 1219 mm x 1829 mm) (*or smaller) | 144 | - | 54 x 4 x 78 | 9.6 |

Kit Includes: Two side panels, one back panel, two corner soap dishes and installation materials.

Packaging: Each kit is packed in an individual carton.

ACCESSORIES

See pages 59-60 for complete listing of all wall accessories.

STANDARDS AND RATINGS

American Society of Testing and Materials (ASTM) E-84: Class A Flame Spread Rating
American National Standard Institute—ANSI Z124.6

International Association of Plumbing and Mechanical Officials (IAPMO)—Listed
cUPC listed—Certified to CSA Test Standard B45.5 by IAPMO

Uniform Plumbing Code (UPC)

For a complete list of tests and results see the Technical Data Sheet.

SUPPORT DOCUMENTS

Installation instructions available at swanstone.com.

 **MADE IN USA**

COLORS

(See inside back cover for color sample.)

Solid Colors:

- White (010)
- Bone (037)
- Bisque (018)
- Bright White (137)
- Pearl (138)

Aggregate Colors:

- Acorn (123) 
- Almond Galaxy (046)
- Arctic Granite (035)
- Baby's Breath (168)
- Barley (091)
- Bermuda Sand (040)
- Canyon (124) 
- Caraway Seed (169)
- Cloud Bone (126)
- Cloud White (125)
- Cornflower (063)
- Glacier (121) 

- Golden Steppe (128)
- Gray Granite (042)
- Ice (130)
- Indian Grass (071)
- Mountain Haze (129)
- Night Sky (012)
- Pebble (072)
- Prairie (122) 
- Sierra (094)
- Tahiti Desert (050)
- Tahiti Gray (053)
- Tahiti Ivory (059)
- Tahiti Matrix (058)
- Tahiti Sand (051)
- Tahiti Terra (055)
- Tahiti White (011)
- Tundra (131)
- Winter Wheat (060)

MAINTENANCE AND CLEANING INFORMATION

Clean regularly with common household liquid cleaners and rinse within five minutes of application. Occasional scrubbing with abrasive cleaners ensures that the original luster will be maintained. **Do not** use "leave on" cleaning products, such as automatic spray shower cleaners. Prolonged contact with harsh chemicals could have an adverse reaction over time and discolor surfaces. **Do not** use cleaning agents that caution use on acrylic, polyester or plastics.



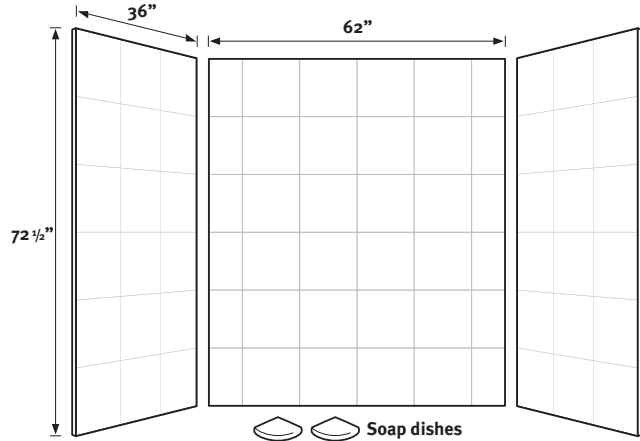
WARRANTY
 Limited Lifetime – Residential
 Limited 25-year – Commercial

Manufactured from Swanstone solid surface
 (See page 2 for detailed information.)

Recommended for high-use traffic areas and commercial surfaces.

FEATURES

- Chamfered-edges on the 12-inch square tile pattern provide the high-end look of travertine.
- No grout to maintain; will not mold or mildew.
- Ideal for remodeling; easier to install than tile—panels glue up over existing surface.
- Coordinates with other Swanstone bath products.
- Heat resistant—walls can handle steamer units.
- Compression molding means superior durability.



Model SQMK 72-3662

Designed to fit base areas
 36" deep or smaller x 62" wide x 72" high

SPECIFICATIONS

SQMK72-3662 Swanstone Square Tile Shower Wall Kit

| Model | Part | Base Area Designed To Fit | Ship Wt. Lb. | Ship FedEx | Carton Dims. In. | Cu. Ft. |
|-------------|------------|--|-----------------|---------------|---------------------|---------|
| SQMK72-3662 | SQMK723662 | 36"D* x 62"W x 72-1/2"H (914 mm x 1575 mm x 1829 mm) (*or smaller) | 247 | - | 68 x 4 x 78 | 12.3 |

Kit Includes: Two side panels, one back panel, two corner soap dishes and installation materials.

Packaging: Each kit is packed in an individual carton.

ACCESSORIES

See pages 59-60 for complete listing of all wall accessories.

STANDARDS AND RATINGS

American Society of Testing and Materials (ASTM) E-84: Class A Flame Spread Rating
 American National Standard Institute—ANSI Z124.6

International Association of Plumbing and Mechanical Officials (IAPMO)—Listed
 cUPC listed—Certified to CSA Test Standard B45.5 by IAPMO

Uniform Plumbing Code (UPC)

For a complete list of tests and results see the Technical Data Sheet.

SUPPORT DOCUMENTS

Installation instructions available at swanstone.com.



COLORS

(See inside back cover for color sample.)

Solid Colors:

- White (010)
- Bone (037)
- Bisque (018)
- Bright White (137)
- Pearl (138)

Aggregate Colors:

- Acorn (123) 🍂
- Almond Galaxy (046)
- Arctic Granite (035)
- Baby's Breath (168)
- Barley (091)
- Bermuda Sand (040)
- Canyon (124) 🍂
- Caraway Seed (169)
- Cloud Bone (126)
- Cloud White (125)
- Cornflower (063)
- Glacier (121) 🍂

- Golden Steppe (128)
- Gray Granite (042)
- Ice (130)
- Indian Grass (071)
- Mountain Haze (129)
- Night Sky (012)
- Pebble (072)
- Prairie (122) 🍂
- Sierra (094)
- Tahiti Desert (050)
- Tahiti Gray (053)
- Tahiti Ivory (059)
- Tahiti Matrix (058)
- Tahiti Sand (051)
- Tahiti Terra (055)
- Tahiti White (011)
- Tundra (131)
- Winter Wheat (060)

MAINTENANCE AND CLEANING INFORMATION

Clean regularly with common household liquid cleaners and rinse within five minutes of application. Occasional scrubbing with abrasive cleaners ensures that the original luster will be maintained. **Do not** use "leave on" cleaning products, such as automatic spray shower cleaners. Prolonged contact with harsh chemicals could have an adverse reaction over time and discolor surfaces. **Do not** use cleaning agents that caution use on acrylic, polyester or plastics.

WARRANTY

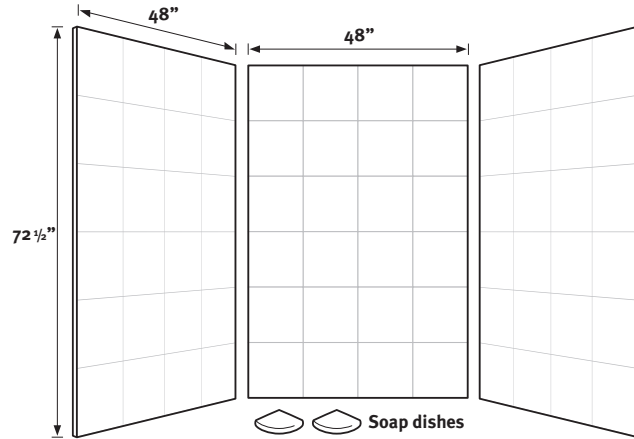
Limited Lifetime – Residential
 Limited 25-year – Commercial

Manufactured from Swanstone solid surface
 (See page 2 for detailed information.)

Recommended for high-use traffic areas and commercial surfaces.

FEATURES

- Chamfered-edges on the 12-inch square tile pattern provide the high-end look of travertine.
- No grout to maintain; will not mold or mildew.
- Ideal for remodeling; easier to install than tile—panels glue up over existing surface.
- Coordinates with other Swanstone bath products.
- Heat resistant—walls can handle steamer units.
- Compression molding means superior durability.



Model SQMK 72-4848

Designed to fit base areas
 48" deep or smaller x 48" wide x 72" high

SPECIFICATIONS
SQMK72-4848 Swanstone Square Tile Shower Wall Kit

| Model | Part | Base Area Designed To Fit | Ship Wt. Lb. | Ship FedEx | Carton Dims. In. | Cu. Ft. |
|-------------|------------|---|-----------------|---------------|---------------------|---------|
| SQMK72-4848 | SQMK724848 | 48"D* x 48"W x 72-1/2"H (1219 mm x 1219 mm x 1829 mm) (*or smaller) | 258 | - | 54 x 4 x 78 | 9.6 |

Kit Includes: Two side panels, one back panel, two corner soap dishes and installation materials.

Packaging: Each kit is packed in an individual carton.

ACCESSORIES

See pages 59-60 for complete listing of all wall accessories.

STANDARDS AND RATINGS

American Society of Testing and Materials (ASTM) E-84: Class A Flame Spread Rating

American National Standard Institute—ANSI Z124.6

International Association of Plumbing and Mechanical Officials (IAPMO)—Listed

cUPC listed—Certified to CSA Test Standard B45.5 by IAPMO

Uniform Plumbing Code (UPC)

For a complete list of tests and results see the Technical Data Sheet.

SUPPORT DOCUMENTS

Installation instructions available at swanstone.com.

 **MADE IN USA**

COLORS

(See inside back cover for color sample.)

Solid Colors:

- White (010)
- Bone (037)
- Bisque (018)
- Bright White (137)
- Pearl (138)

Aggregate Colors:

- Acorn (123) 🍂
- Almond Galaxy (046)
- Arctic Granite (035)
- Baby's Breath (168)
- Barley (091)
- Bermuda Sand (040)
- Canyon (124) 🍂
- Caraway Seed (169)
- Cloud Bone (126)
- Cloud White (125)
- Cornflower (063)
- Glacier (121) 🍂

- Golden Steppe (128)
- Gray Granite (042)
- Ice (130)
- Indian Grass (071)
- Mountain Haze (129)
- Night Sky (012)
- Pebble (072)
- Prairie (122) 🍂
- Sierra (094)
- Tahiti Desert (050)
- Tahiti Gray (053)
- Tahiti Ivory (059)
- Tahiti Matrix (058)
- Tahiti Sand (051)
- Tahiti Terra (055)
- Tahiti White (011)
- Tundra (131)
- Winter Wheat (060)

**MAINTENANCE AND
 CLEANING INFORMATION**

Clean regularly with common household liquid cleaners and rinse within five minutes of application. Occasional scrubbing with abrasive cleaners ensures that the original luster will be maintained. **Do not** use "leave on" cleaning products, such as automatic spray shower cleaners. Prolonged contact with harsh chemicals could have an adverse reaction over time and discolor surfaces.

Do not use cleaning agents that caution use on acrylic, polyester or plastics.



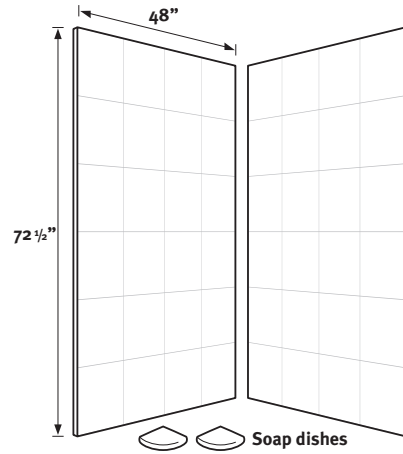
WARRANTY
 Limited Lifetime – Residential
 Limited 25-year – Commercial

Manufactured from Swanstone solid surface
 (See page 2 for detailed information.)

Recommended for high use traffic areas and commercial surfaces.

FEATURES

- Chamfered-edges on the 12-inch square tile pattern provide the high-end look of travertine.
- No grout to maintain; will not mold or mildew.
- Ideal for remodeling; easier to install than tile—panels glue up over existing surface.
- Coordinates with other Swanstone bath products.
- Heat resistant—walls can handle steamer units.
- Compression molding means superior durability.



Model SQMK 72-48NEO
 Designed to fit base areas
 48" deep or smaller x 48" wide x 72" high

SPECIFICATIONS

SQMK72-48NEO Swanstone Square Tile Shower Wall Kit

| Model | Part | Base Area Designed To Fit | Ship Wt. Lb. | Ship FedEx | Carton Dims. In. | Cu. Ft. |
|--------------|-------------|---|-----------------|---------------|---------------------|---------|
| SQMK72-48NEO | SQMK7248NEO | 48"D* x 48"W x 72-1/2"H (1219 mm x 1219 mm x 1829 mm) (*or smaller) | 191 | - | 54 x 4 x 78 | 9.6 |

Kit Includes: Two side panels, two corner soap dishes, installation materials and complete installation instructions.

Packaging: Each kit is packed in an individual carton.

ACCESSORIES

See pages 59-60 for complete listing of all wall accessories.

STANDARDS AND RATINGS

American Society of Testing and Materials (ASTM) E-84: Class A Flame Spread Rating

American National Standard Institute—ANSI Z124.6

International Association of Plumbing and Mechanical Officials (IAPMO)—Listed

cUPC listed—Certified to CSA Test Standard B45.5 by IAPMO

Uniform Plumbing Code (UPC)

For a complete list of tests and results see the Technical Data Sheet.

SUPPORT DOCUMENTS

Installation instructions available at swanstone.com.

COLORS

(See inside back cover for color sample.)

Solid Colors:

- White (010)
- Bone (037)
- Bisque (018)
- Bright White (137)
- Pearl (138)

Aggregate Colors:

- Acorn (123) 🍂
- Almond Galaxy (046)
- Arctic Granite (035)
- Baby's Breath (168)
- Barley (091)
- Bermuda Sand (040)
- Canyon (124) 🍂
- Caraway Seed (169)
- Cloud Bone (126)
- Cloud White (125)
- Cornflower (063)
- Glacier (121) 🍂

- Golden Steppe (128)
- Gray Granite (042)
- Ice (130)
- Indian Grass (071)
- Mountain Haze (129)
- Night Sky (012)
- Pebble (072)
- Prairie (122) 🍂
- Sierra (094)
- Tahiti Desert (050)
- Tahiti Gray (053)
- Tahiti Ivory (059)
- Tahiti Matrix (058)
- Tahiti Sand (051)
- Tahiti Terra (055)
- Tahiti White (011)
- Tundra (131)
- Winter Wheat (060)

MAINTENANCE AND CLEANING INFORMATION

Clean regularly with common household liquid cleaners and rinse within five minutes of application. Occasional scrubbing with abrasive cleaners ensures that the original luster will be maintained. **Do not** use "leave on" cleaning products, such as automatic spray shower cleaners. Prolonged contact with harsh chemicals could have an adverse reaction over time and discolor surfaces. **Do not** use cleaning agents that caution use on acrylic, polyester or plastics.



WARRANTY

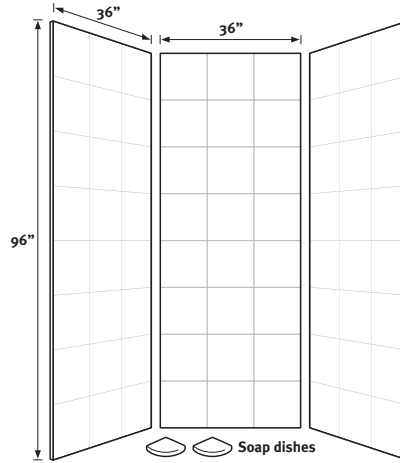
Limited Lifetime – Residential
 Limited 25-year – Commercial

Manufactured from Swanstone solid surface
 (See page 2 for detailed information.)

Recommended for high-use traffic areas and commercial surfaces.

FEATURES

- Chamfered-edges on the 12-inch square tile pattern provide the high-end look of travertine.
- No grout to maintain; will not mold or mildew.
- Ideal for remodeling; easier to install than tile—panels glue up over existing surface.
- Coordinates with other Swanstone bath products.
- Heat resistant—walls can handle steamer units.
- Compression molding means superior durability.



Model SQMK 96-3636

Designed to fit base areas
 36" deep or smaller x 36" wide x 96" high

SPECIFICATIONS
SQMK96-3636 Swanstone Square Tile Shower Wall Kit

| Model | Part | Base Area Designed To Fit | Ship Wt. Lb. | Ship FedEx | Carton Dims. In. | Cu. Ft. |
|-------------|------------|---|-----------------|---------------|---------------------|---------|
| SQMK96-3636 | SQMK963636 | 36"D* x 36"W x 96"H (914 mm x 914 mm x 2438 mm) (*or smaller) | 245 | – | 42 x 4 x 102 | 10 |

Kit Includes: Two side panels, one back panel, two corner soap dishes and installation materials.

Packaging: Each kit is packed in an individual carton.

ACCESSORIES

See pages 59-60 for complete listing of all wall accessories.

STANDARDS AND RATINGS

American Society of Testing and Materials (ASTM) E-84: Class A Flame Spread Rating
 American National Standard Institute—ANSI Z124.6

International Association of Plumbing and Mechanical Officials (IAPMO)—Listed
 cUPC listed—Certified to CSA Test Standard B45.5 by IAPMO
 Uniform Plumbing Code (UPC)

For a complete list of tests and results see the Technical Data Sheet.

SUPPORT DOCUMENTS

Installation instructions available at swanstone.com.

 **MADE IN USA**

COLORS

(See inside back cover for color sample.)

Solid Colors:

- White (010)
- Bone (037)
- Bisque (018)
- Bright White (137)
- Pearl (138)

Aggregate Colors:

- Acorn (123) 🍂
- Almond Galaxy (046)
- Arctic Granite (035)
- Baby's Breath (168)
- Barley (091)
- Bermuda Sand (040)
- Canyon (124) 🍂
- Caraway Seed (169)
- Cloud Bone (126)
- Cloud White (125)
- Cornflower (063)
- Glacier (121) 🍂

- Golden Steppe (128)
- Gray Granite (042)
- Ice (130)
- Indian Grass (071)
- Mountain Haze (129)
- Night Sky (012)
- Pebble (072)
- Prairie (122) 🍂
- Sierra (094)
- Tahiti Desert (050)
- Tahiti Gray (053)
- Tahiti Ivory (059)
- Tahiti Matrix (058)
- Tahiti Sand (051)
- Tahiti Terra (055)
- Tahiti White (011)
- Tundra (131)
- Winter Wheat (060)

**MAINTENANCE AND
 CLEANING INFORMATION**

Clean regularly with common household liquid cleaners and rinse within five minutes of application. Occasional scrubbing with abrasive cleaners ensures that the original luster will be maintained. **Do not** use "leave on" cleaning products, such as automatic spray shower cleaners. Prolonged contact with harsh chemicals could have an adverse reaction over time and discolor surfaces. **Do not** use cleaning agents that caution use on acrylic, polyester or plastics.

Manufactured from Swanstone solid surface
(See page 2 for detailed information.)

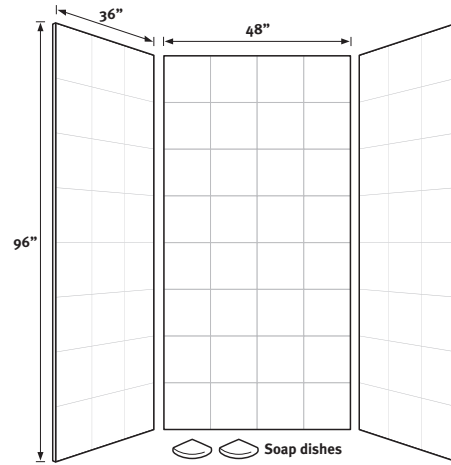
WARRANTY

Limited Lifetime – Residential
Limited 25-year – Commercial

Recommended for high-use traffic areas and commercial surfaces.

FEATURES

- Chamfered-edges on the 12-inch square tile pattern provide the high-end look of travertine.
- No grout to maintain; will not mold or mildew.
- Ideal for remodeling; easier to install than tile—panels glue up over existing surface.
- Coordinates with other Swanstone bath products.
- Heat resistant—walls can handle steamer units.
- Compression molding means superior durability.



Model SQMK 96-3648

Designed to fit base areas
36" deep or smaller x 48" wide x 96" high

SPECIFICATIONS

SQMK96-3648 Swanstone Square Tile Shower Wall Kit

| Model | Part | Base Area Designed To Fit | Ship Wt. Lb. | Ship FedEx | Carton Dims. In. | Cu. Ft. |
|-------------|------------|--|-----------------|---------------|---------------------|---------|
| SQMK96-3648 | SQMK963648 | 36"D* x 48"W x 96"H (914 mm x 1219 mm x 2438 mm) (*or smaller) | 232 | - | 54 x 4 x 102 | 12.75 |

Kit Includes: Two side panels, one back panel, two corner soap dishes and installation materials.

Packaging: Each kit is packed in an individual carton.

ACCESSORIES

See pages 59-60 for complete listing of all wall accessories.

STANDARDS AND RATINGS

American Society of Testing and Materials (ASTM) E-84: Class A Flame Spread Rating
American National Standard Institute—ANSI Z124.6

International Association of Plumbing and Mechanical Officials (IAPMO)—Listed
cUPC listed—Certified to CSA Test Standard B45.5 by IAPMO
Uniform Plumbing Code (UPC)

For a complete list of tests and results see the Technical Data Sheet.

SUPPORT DOCUMENTS

Installation instructions available at swanstone.com.

 **MADE IN USA**

COLORS

(See inside back cover for color sample.)

Solid Colors:

- White (010)
- Bone (037)
- Bisque (018)
- Bright White (137)
- Pearl (138)

Aggregate Colors:

- Acorn (123) 
- Almond Galaxy (046)
- Arctic Granite (035)
- Baby's Breath (168)
- Barley (091)
- Bermuda Sand (040)
- Canyon (124) 
- Caraway Seed (169)
- Cloud Bone (126)
- Cloud White (125)
- Cornflower (063)
- Glacier (121) 
- Golden Steppe (128)
- Gray Granite (042)
- Ice (130)
- Indian Grass (071)
- Mountain Haze (129)
- Night Sky (012)
- Pebble (072)
- Prairie (122) 
- Sierra (094)
- Tahiti Desert (050)
- Tahiti Gray (053)
- Tahiti Ivory (059)
- Tahiti Matrix (058)
- Tahiti Sand (051)
- Tahiti Terra (055)
- Tahiti White (011)
- Tundra (131)
- Winter Wheat (060)

MAINTENANCE AND CLEANING INFORMATION

Clean regularly with common household liquid cleaners and rinse within five minutes of application. Occasional scrubbing with abrasive cleaners ensures that the original luster will be maintained. **Do not** use "leave on" cleaning products, such as automatic spray shower cleaners. Prolonged contact with harsh chemicals could have an adverse reaction over time and discolor surfaces. **Do not** use cleaning agents that caution use on acrylic, polyester or plastics.

WARRANTY

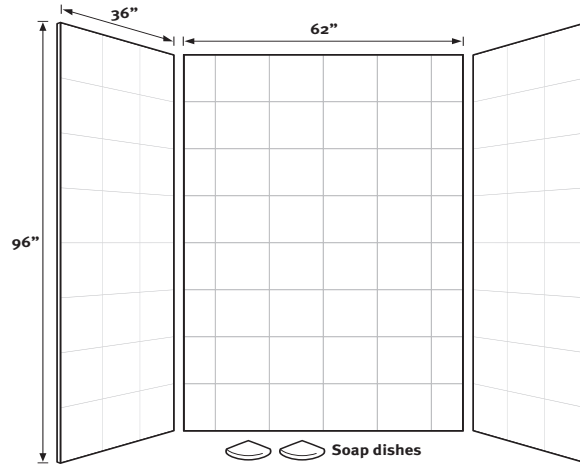
Limited Lifetime – Residential
Limited 25-year – Commercial

Manufactured from Swanstone solid surface
(See page 2 for detailed information.)

Recommended for high-use traffic areas and commercial surfaces.

FEATURES

- Chamfered-edges on the 12-inch square tile pattern provide the high-end look of travertine.
- No grout to maintain; will not mold or mildew.
- Ideal for remodeling; easier to install than tile—panels glue up over existing surface.
- Coordinates with other Swanstone bath products.
- Heat resistant—walls can handle steamer units.
- Compression molding means superior durability.



Model SQMK 96-3662

Designed to fit base areas
36" deep or smaller x 62" wide x 96" high

SPECIFICATIONS

SQMK96-3662 Swanstone Square Tile Shower Wall Kit

| Model | Part | Base Area Designed To Fit | Ship Wt. Lb. | Ship FedEx | Carton Dims. In. | Cu. Ft. |
|-------------|------------|--|-----------------|---------------|---------------------|---------|
| SQMK96-3662 | SQMK963662 | 36"D* x 62"W x 96"H (914 mm x 1575 mm x 2438 mm) (*or smaller) | 236 | – | 68 x 4 x 102 | 16.06 |

Kit Includes: Two side panels, one back panel, two corner soap dishes and installation materials.

Packaging: Each kit is packed in an individual carton.

ACCESSORIES

See pages 59-60 for complete listing of all wall accessories.

STANDARDS AND RATINGS

American Society of Testing and Materials (ASTM) E-84: Class A Flame Spread Rating

American National Standard Institute—ANSI Z124.6

International Association of Plumbing and Mechanical Officials (IAPMO)—Listed

cUPC listed—Certified to CSA Test Standard B45.5 by IAPMO

Uniform Plumbing Code (UPC)

For a complete list of tests and results see the Technical Data Sheet.

SUPPORT DOCUMENTS

Installation instructions available at swanstone.com.

 **MADE IN USA**

COLORS

(See inside back cover for color sample.)

Solid Colors:

- White (010)
- Bone (037)
- Bisque (018)
- Bright White (137)
- Pearl (138)

Aggregate Colors:

- Acorn (123) 🍂
- Almond Galaxy (046)
- Arctic Granite (035)
- Baby's Breath (168)
- Barley (091)
- Bermuda Sand (040)
- Canyon (124) 🍂
- Caraway Seed (169)
- Cloud Bone (126)
- Cloud White (125)
- Cornflower (063)
- Glacier (121) 🍂

- Golden Steppe (128)
- Gray Granite (042)
- Ice (130)
- Indian Grass (071)
- Mountain Haze (129)
- Night Sky (012)
- Pebble (072)
- Prairie (122) 🍂
- Sierra (094)
- Tahiti Desert (050)
- Tahiti Gray (053)
- Tahiti Ivory (059)
- Tahiti Matrix (058)
- Tahiti Sand (051)
- Tahiti Terra (055)
- Tahiti White (011)
- Tundra (131)
- Winter Wheat (060)

MAINTENANCE AND CLEANING INFORMATION

Clean regularly with common household liquid cleaners and rinse within five minutes of application. Occasional scrubbing with abrasive cleaners ensures that the original luster will be maintained. **Do not** use "leave on" cleaning products, such as automatic spray shower cleaners. Prolonged contact with harsh chemicals could have an adverse reaction over time and discolor surfaces. **Do not** use cleaning agents that caution use on acrylic, polyester or plastics.



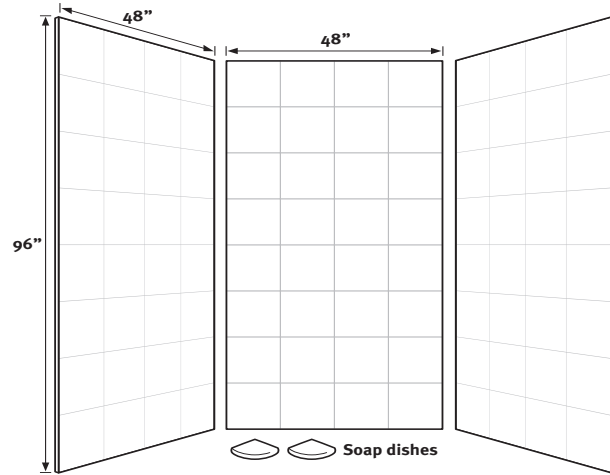
Manufactured from Swanstone solid surface
(See page 2 for detailed information.)

WARRANTY
Limited Lifetime – Residential
Limited 25-year – Commercial

Recommended for high-use traffic areas and commercial surfaces.

FEATURES

- Chamfered-edges on the 12-inch square tile pattern provide the high-end look of travertine.
• No grout to maintain; will not mold or mildew.
• Ideal for remodeling; easier to install than tile—panels glue up over existing surface.
• Coordinates with other Swanstone bath products.
• Heat resistant—walls can handle steamer units.
• Compression molding means superior durability.



Model SQMK 96-4848

Designed to fit base areas
48" deep or smaller x 48" wide x 96" high

SPECIFICATIONS

SQMK96-4848 Swanstone Square Tile Shower Wall Kit

Table with 7 columns: Model, Part, Base Area Designed To Fit, Ship Wt. Lb., Ship FedEx, Carton Dims. In., Cu. Ft. Row 1: SQMK96-4848, SQMK964848, 48"D* x 48"W x 96"H (1219 mm x 1219 mm x 2348 mm) (*or smaller), 304, -, 54 x 4 x 102, 12.75

Kit Includes: Two side panels, one back panel, two corner soap dishes and installation materials.

Packaging: Each kit is packed in an individual carton.

ACCESSORIES

See pages 59-60 for complete listing of all wall accessories.

STANDARDS AND RATINGS

American Society of Testing and Materials (ASTM) E-84: Class A Flame Spread Rating
American National Standard Institute—ANSI Z124.6

International Association of Plumbing and Mechanical Officials (IAPMO)—Listed
cUPC listed—Certified to CSA Test Standard B45.5 by IAPMO

Uniform Plumbing Code (UPC)

For a complete list of tests and results see the Technical Data Sheet.

SUPPORT DOCUMENTS

Installation instructions available at swanstone.com.



COLORS

(See inside back cover for color sample.)

Solid Colors:

- White (010)
• Bone (037)
• Bisque (018)
• Bright White (137)
• Pearl (138)

Aggregate Colors:

- Acorn (123)
• Almond Galaxy (046)
• Arctic Granite (035)
• Baby's Breath (168)
• Barley (091)
• Bermuda Sand (040)
• Canyon (124)
• Caraway Seed (169)
• Cloud Bone (126)
• Cloud White (125)
• Cornflower (063)
• Glacier (121)

- Golden Steppe (128)
• Gray Granite (042)
• Ice (130)
• Indian Grass (071)
• Mountain Haze (129)
• Night Sky (012)
• Pebble (072)
• Prairie (122)
• Sierra (094)
• Tahiti Desert (050)
• Tahiti Gray (053)
• Tahiti Ivory (059)
• Tahiti Matrix (058)
• Tahiti Sand (051)
• Tahiti Terra (055)
• Tahiti White (011)
• Tundra (131)
• Winter Wheat (060)

MAINTENANCE AND CLEANING INFORMATION

Clean regularly with common household liquid cleaners and rinse within five minutes of application. Occasional scrubbing with abrasive cleaners ensures that the original luster will be maintained. Do not use "leave on" cleaning products, such as automatic spray shower cleaners. Prolonged contact with harsh chemicals could have an adverse reaction over time and discolor surfaces. Do not use cleaning agents that caution use on acrylic, polyester or plastics.

WARRANTY

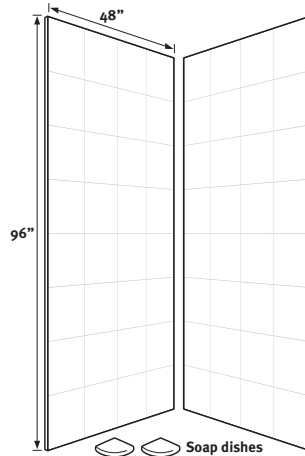
Limited Lifetime – Residential
Limited 25-year – Commercial

Manufactured from Swanstone solid surface
(See page 2 for detailed information.)

Recommended for high-use traffic areas and commercial surfaces.

FEATURES

- Chamfered-edges on the 12-inch square tile pattern provide the high-end look of travertine.
- No grout to maintain; will not mold or mildew.
- Ideal for remodeling; easier to install than tile—panels glue up over existing surface.
- Coordinates with other Swanstone bath products.
- Heat resistant—walls can handle steamer units.
- Compression molding means superior durability.



Model SQMK 96-48NEO

Designed to fit base areas
48" deep or smaller x 48" wide x 96" high

SPECIFICATIONS

SQMK96-48NEO Swanstone Square Tile Shower Wall Kit

| Model | Part | Base Area Designed To Fit | Ship Wt. Lb. | Ship FedEx | Carton Dims. In. | Cu. Ft. |
|--------------|-------------|---|-----------------|---------------|---------------------|---------|
| SQMK96-48NEO | SQMK9648NEO | 48"D* x 48"W x 96"H (1219 mm x 1219 mm x 2438 mm) (*or smaller) | 214 | - | 54 x 4 x 102 | 12.75 |

Kit Includes: Two side panels, two corner soap dishes and installation materials.

Packaging: Each kit is packed in an individual carton.

ACCESSORIES

See pages 59-60 for complete listing of all wall accessories.

STANDARDS AND RATINGS

American Society of Testing and Materials (ASTM) E-84: Class A Flame Spread Rating

American National Standard Institute—ANSI Z124.6

International Association of Plumbing and Mechanical Officials (IAPMO)—Listed

cUPC listed—Certified to CSA Test Standard B45.5 by IAPMO

Uniform Plumbing Code (UPC)

For a complete list of tests and results see the Technical Data Sheet.

SUPPORT DOCUMENTS

Installation instructions available at swanstone.com.

 **MADE IN USA**


COLORS

(See inside back cover for color sample.)

Solid Colors:

- White (010)
- Bone (037)
- Bisque (018)
- Bright White (137)
- Pearl (138)

Aggregate Colors:

- Acorn (123) 
- Almond Galaxy (046)
- Arctic Granite (035)
- Baby's Breath (168)
- Barley (091)
- Bermuda Sand (040)
- Canyon (124) 
- Caraway Seed (169)
- Cloud Bone (126)
- Cloud White (125)
- Cornflower (063)
- Glacier (121) 

- Golden Steppe (128)
- Gray Granite (042)
- Ice (130)
- Indian Grass (071)
- Mountain Haze (129)
- Night Sky (012)
- Pebble (072)
- Prairie (122) 
- Sierra (094)
- Tahiti Desert (050)
- Tahiti Gray (053)
- Tahiti Ivory (059)
- Tahiti Matrix (058)
- Tahiti Sand (051)
- Tahiti Terra (055)
- Tahiti White (011)
- Tundra (131)
- Winter Wheat (060)

MAINTENANCE AND CLEANING INFORMATION

Clean regularly with common household liquid cleaners and rinse within five minutes of application. Occasional scrubbing with abrasive cleaners ensures that the original luster will be maintained. **Do not** use "leave on" cleaning products, such as automatic spray shower cleaners. Prolonged contact with harsh chemicals could have an adverse reaction over time and discolor surfaces. **Do not** use cleaning agents that caution use on acrylic, polyester or plastics.



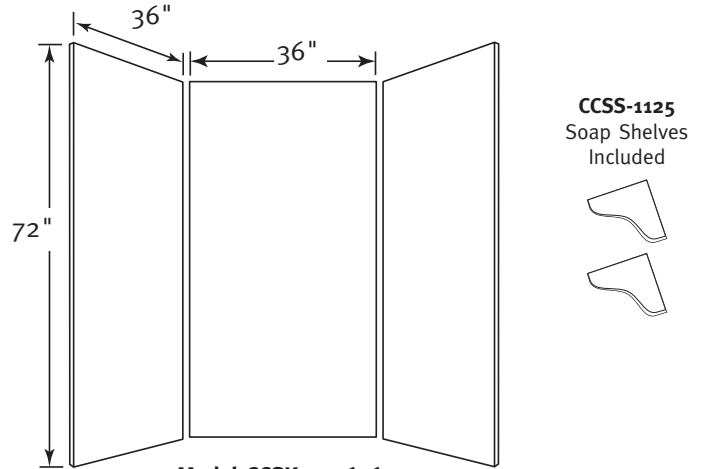
WARRANTY
 Limited Lifetime – Residential
 Limited 25-year – Commercial

Manufactured from Swanstone solid surface
 (See page 2 for detailed information.)

Recommended for high-use traffic areas and commercial surfaces.

FEATURES

- No grout to maintain; will not mold or mildew.
- Ideal for remodeling; easier to install than tile—panels glue up over existing surface.
- Coordinates with other Swanstone bath products.
- Heat resistant—walls can handle steamer units.
- Compression molding means superior durability.



Model CCSK72-3636

Designed to fit base areas
 36" deep or smaller x 36" wide x 72" high

SPECIFICATIONS

CCSK72-3636 Crystal Color Shower Wall Kit

| Model | Part | Base Area Designed To Fit | Ship Wt. Lb. | Ship FedEx | Carton Dims. In. | Cu. Ft. |
|-------------|------------|---|-----------------|---------------|---------------------|---------|
| CCSK72-3636 | CCSK723636 | 36"D* x 36"W x 72"H (914 mm x 914 mm x 1829 mm) (*or smaller) | 136 | - | 78 x 42 x 4 | 7.58 |

Kit Includes: Two side panels, on back panel two corner soap dishes and installation materials.

Packaging: Each kit is packed in an individual carton.

COLORS

(See inside back cover for color sample.)

- Caramel Glass (133)
- Crystal White (105)
- Crystal Black (107)
- Gray Glass (134)
- Crystal Cream (106)
- Ivory Glass (132)

ACCESSORIES

See pages 59-60 for complete listing of all wall accessories.

STANDARDS AND RATINGS

American Society of Testing and Materials (ASTM) E-84: Class A Flame Spread Rating
 American National Standard Institute—ANSI Z124.6

International Association of Plumbing and Mechanical Officials (IAPMO)—Listed
 cUPC listed—Certified to CSA Test Standard B45.5 by IAPMO

Uniform Plumbing Code (UPC)

For a complete list of tests and results see the Technical Data Sheet.

SUPPORT DOCUMENTS

Installation instructions available at swanstone.com.

MAINTENANCE AND CLEANING INFORMATION

Clean regularly with common household liquid cleaners and rinse within five minutes of application. Occasional scrubbing with abrasive cleaners ensures that the original luster will be maintained. **Do not** use “leave on” cleaning products, such as automatic spray shower cleaners. Prolonged contact with harsh chemicals could have an adverse reaction over time and discolor surfaces. **Do not** use cleaning agents that caution use on acrylic, polyester or plastics.

MADE IN USA



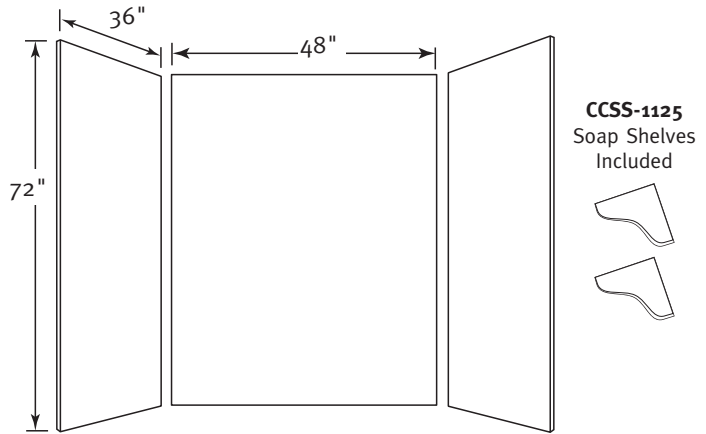
WARRANTY
Limited Lifetime - Residential
Limited 25-year - Commercial

Manufactured from Swanstone solid surface
(See page 2 for detailed information.)

Recommended for high-use traffic areas and commercial surfaces.

FEATURES

- No grout to maintain; will not mold or mildew.
Ideal for remodeling; easier to install than tile—panels glue up over existing surface.
Coordinates with other Swanstone bath products.
Heat resistant—walls can handle steamer units.
Compression molding means superior durability.



Model CCSK72-3648

Designed to fit base areas
36 inch deep or smaller x 48 inch wide x 72 inch high

SPECIFICATIONS

CCSK72-3648 Crystal Color Shower Wall Kit

Table with 7 columns: Model, Part, Base Area Designed To Fit, Ship Wt. Lb., Ship FedEx, Carton Dims. In., Cu. Ft. Row 1: CCSK72-3648, CCSK723648, 36 inch D x 48 inch W x 72 inch H (914 mm x 1219 mm x 1829 mm) (*or smaller), 175, —, 78 x 54 x 4, 9.75

Kit Includes: Two side panels, one back panel, two corner soap dishes and installation materials.

Packaging: Each kit is packed in an individual carton.

ACCESSORIES

See pages 59-60 for complete listing of all wall accessories.

STANDARDS AND RATINGS

American Society of Testing and Materials (ASTM) E-84: Class A Flame Spread Rating
American National Standard Institute—ANSI Z124.6

International Association of Plumbing and Mechanical Officials (IAPMO)—Listed
cUPC listed—Certified to CSA Test Standard B45.5 by IAPMO

Uniform Plumbing Code (UPC)

For a complete list of tests and results see the Technical Data Sheet.

SUPPORT DOCUMENTS

Installation instructions available at swanstone.com.

MADE IN USA

COLORS

(See inside back cover for color sample.)

- Caramel Glass (133)
Crystal White (105)
Crystal Black (107)
Gray Glass (134)
Crystal Cream (106)
Ivory Glass (132)

MAINTENANCE AND CLEANING INFORMATION

Clean regularly with common household liquid cleaners and rinse within five minutes of application. Occasional scrubbing with abrasive cleaners ensures that the original luster will be maintained. Do not use "leave on" cleaning products, such as automatic spray shower cleaners. Prolonged contact with harsh chemicals could have an adverse reaction over time and discolor surfaces. Do not use cleaning agents that caution use on acrylic, polyester or plastics.

WARRANTY

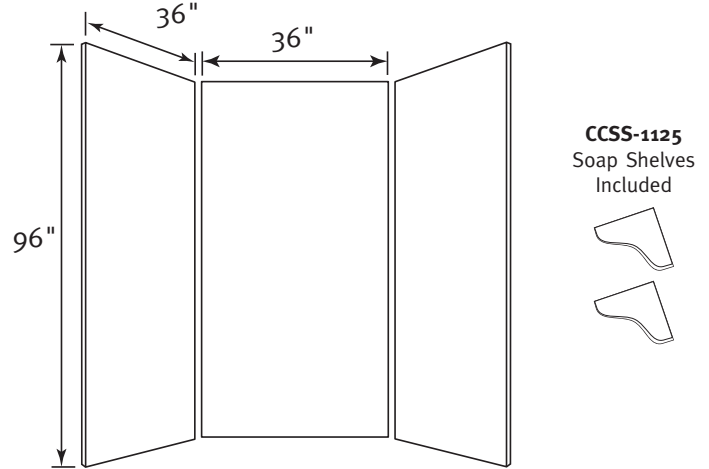
Limited Lifetime – Residential
Limited 25-year – Commercial

Manufactured from Swanstone solid surface
(See page 2 for detailed information.)

Recommended for high-use traffic areas and commercial surfaces.

FEATURES

- No grout to maintain; will not mold or mildew.
- Ideal for remodeling; easier to install than tile—panels glue up over existing surface.
- Coordinates with other Swanstone bath products.
- Heat resistant—walls can handle steamer units.
- Compression molding means superior durability.



Model CCSK96-3636

Designed to fit base areas
36" deep or smaller x 36" wide x 96" high

SPECIFICATIONS

CCSK96-3636 Crystal Color Shower Wall Kit

| Model | Part | Base Area Designed To Fit | Ship Wt. Lb. | Ship FedEx | Carton Dims. In. | Cu. Ft. |
|-------------|------------|---|-----------------|---------------|---------------------|---------|
| CCSK96-3636 | CCSK963636 | 36"D* x 36"W x 96"H (914 mm x 914 mm x 2438 mm) (*or smaller) | 178 | – | 102 x 42 x 4 | 9.92 |

Kit Includes: Two side panels, one back panel, two corner soap dishes and installation materials.

Packaging: Each kit is packed in an individual carton.

COLORS

(See inside back cover for color sample.)

- Caramel Glass (133)
- Crystal White (105)
- Crystal Black (107)
- Gray Glass (134)
- Crystal Cream (106)
- Ivory Glass (132)

ACCESSORIES

See pages 59-60 for complete listing of all wall accessories.

STANDARDS AND RATINGS

American Society of Testing and Materials (ASTM) E-84: Class A Flame Spread Rating
American National Standard Institute—ANSI Z124.6

International Association of Plumbing and Mechanical Officials (IAPMO)—Listed
cUPC listed—Certified to CSA Test Standard B45.5 by IAPMO

Uniform Plumbing Code (UPC)

For a complete list of tests and results see the Technical Data Sheet.

SUPPORT DOCUMENTS

Installation instructions available at swanstone.com.

 **MADE IN USA**

MAINTENANCE AND CLEANING INFORMATION

Clean regularly with common household liquid cleaners and rinse within five minutes of application. Occasional scrubbing with abrasive cleaners ensures that the original luster will be maintained. **Do not** use “leave on” cleaning products, such as automatic spray shower cleaners. Prolonged contact with harsh chemicals could have an adverse reaction over time and discolor surfaces. **Do not** use cleaning agents that caution use on acrylic, polyester or plastics.



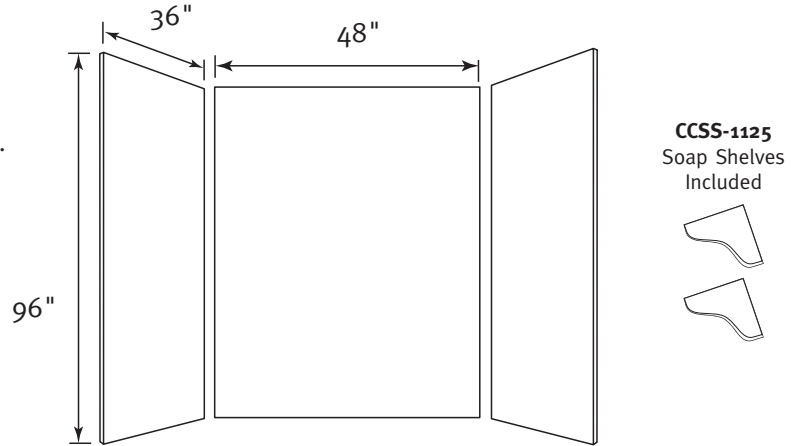
WARRANTY
Limited Lifetime – Residential
Limited 25-year – Commercial

Manufactured from Swanstone solid surface
(See page 2 for detailed information.)

Recommended for high-use traffic areas and commercial surfaces.

FEATURES

- No grout to maintain; will not mold or mildew.
• Ideal for remodeling; easier to install than tile—panels glue up over existing surface.
• Coordinates with other Swanstone bath products.
• Heat resistant—walls can handle steamer units.
• Compression molding means superior durability.



Model CCSK96-3648

Designed to fit base areas
36" deep or smaller x 48" wide x 96" high

SPECIFICATIONS

CCSK96-3648 Crystal Color Shower Wall Kit

Table with 7 columns: Model, Part, Base Area Designed To Fit, Ship Wt. Lb., Ship FedEx, Carton Dims. In., Cu. Ft. Row 1: CCSK96-3648, CCSK963648, 36"D* x 48"W x 96"H (914 mm x 1219 mm mmx 2438 mm) (*or smaller), 232, -, 102 x 54 x 4, 12.75

Kit Includes: Two side panels, one back panel, two corner soap dishes and installation materials.

Packaging: Each kit is packed in an individual carton.

COLORS

(See inside back cover for color sample.)

- Caramel Glass (133) • Crystal White (105)
• Crystal Black (107) • Gray Glass (134)
• Crystal Cream (106) • Ivory Glass (132)

ACCESSORIES

See pages 59-60 for complete listing of all wall accessories.

STANDARDS AND RATINGS

American Society of Testing and Materials (ASTM) E-84: Class A Flame Spread Rating
American National Standard Institute—ANSI Z124.6

International Association of Plumbing and Mechanical Officials (IAPMO)—Listed
cUPC listed—Certified to CSA Test Standard B45.5 by IAPMO

Uniform Plumbing Code (UPC)

For a complete list of tests and results see the Technical Data Sheet.

SUPPORT DOCUMENTS

Installation instructions available at swanstone.com.

MADE IN USA

MAINTENANCE AND CLEANING INFORMATION

Clean regularly with common household liquid cleaners and rinse within five minutes of application. Occasional scrubbing with abrasive cleaners ensures that the original luster will be maintained. Do not use "leave on" cleaning products, such as automatic spray shower cleaners. Prolonged contact with harsh chemicals could have an adverse reaction over time and discolor surfaces. Do not use cleaning agents that caution use on acrylic, polyester or plastics.



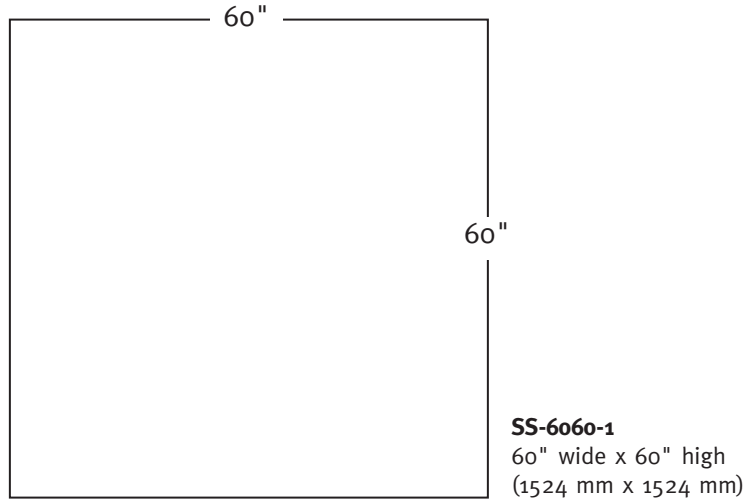
WARRANTY
Limited Lifetime – Residential
Limited 25-year – Commercial

Manufactured from Swanstone solid surface
(See page 2 for detailed information.)

Recommended for high-use traffic areas and commercial surfaces.

FEATURES

- Reinforced solid surface means color and texture run all the way through and cannot wear away.
• Will not mold or mildew, no grout to clean.
• Ideal for remodeling, panels glue up over existing surface.
• Coordinates with other Swanstone bath products.
• Can be easily trimmed to fit any shower application.
• Heat resistant—walls can handle steamer units.
• Compression molding means superior durability.



SPECIFICATIONS

SS-6060-1 Single Panel Bath Wall

Table with 7 columns: Model, Part, Nominal Dimensions, Ship Wt. Lb., Ship FedEx, Carton Dims. In., Cu. Ft. Row 1: SS-6060-1, SS0606001, 60" W x 60" H (1524 mm x 1524 mm), 106, -, 66 x 66 x 4, 7.79

Kit Includes: One flat wall panel and installation instructions. It may be necessary to combine cartons to accommodate desired installation area. No installation materials provided. Order two SS-72 installation kits per panel. Packaging: Each kit is packed in an individual carton.

ACCESSORIES

See pages 59-60 for complete listing of all wall accessories.

STANDARDS AND RATINGS

American Society of Testing and Materials (ASTM) E-84: Class A Flame Spread Rating
American National Standard Institute—ANSI Z124.6
International Association of Plumbing and Mechanical Officials (IAPMO)—Listed cUPC listed—Certified to CSA Test Standard B45.5 by IAPMO
Uniform Plumbing Code (UPC)

For a complete list of tests and results see the Technical Data Sheet.

SUPPORT DOCUMENTS

Installation instructions available at swanstone.com.



COLORS

(See inside back cover for color sample.)

Solid Colors:

- White (010)
• Bone (037)
• Bisque (018)
• Bright White (137)
• Pearl (138)

Aggregate Colors:

- Acorn (123)
• Almond Galaxy (046)
• Arctic Granite (035)
• Baby's Breath (168)
• Barley (091)
• Bermuda Sand (040)
• Canyon (124)
• Caraway Seed (169)
• Cloud Bone (126)
• Cloud White (125)
• Cornflower (063)
• Glacier (121)

- Golden Steppe (128)
• Gray Granite (042)
• Ice (130)
• Indian Grass (071)
• Mountain Haze (129)
• Night Sky (012)
• Pebble (072)
• Prairie (122)
• Sierra (094)
• Tahiti Desert (050)
• Tahiti Gray (053)
• Tahiti Ivory (059)
• Tahiti Matrix (058)
• Tahiti Sand (051)
• Tahiti Terra (055)
• Tahiti White (011)
• Tundra (131)
• Winter Wheat (060)

MAINTENANCE AND CLEANING INFORMATION

Clean regularly with common household liquid cleaners and rinse within five minutes of application. Occasional scrubbing with abrasive cleaners ensures that the original luster will be maintained. Do not use "leave on" cleaning products, such as automatic spray shower cleaners. Prolonged contact with harsh chemicals could have an adverse reaction over time and discolor surfaces. Do not use cleaning agents that caution use on acrylic, polyester or plastics.



Manufactured from Swanstone solid surface (See page 2 for detailed information.)

Recommended for high-use traffic areas and commercial surfaces.

WARRANTY
Limited Lifetime - Residential
Limited 25-year - Commercial

FEATURES

- Reinforced solid surface means color and texture run all the way through and cannot wear away.
Will not mold or mildew, no grout to clean.
Ideal for remodeling, panels glue up over existing surface.
Coordinates with other Swanstone bath products.
Can be easily trimmed to fit any shower application.
Widest range of sizes to fit most any project.
Heat resistant-walls can handle steamer units.
Compression molding means superior durability.



Single Panel Shower Walls

- 36" wide x 72" high (914 mm x 1829 mm)
60" wide x 72" high (1524 mm x 1829 mm)
36" wide x 96" high (914 mm x 2438 mm)
48" wide x 96" high (1219 mm x 2438 mm)
62" wide x 96" high (1574 mm x 2438 mm)

SPECIFICATIONS

Single Panel Shower Walls

Table with 7 columns: Model, Part, Nominal Dimensions, Ship Wt. Lb., Ship FedEx, Carton Dims. In., Cu. Ft. Rows include models SS-3672-1, SS-6072-1, SS-3696-1, SS-4896-1, and SS-6296-1.

Kit Includes: One flat wall panel and installation instructions. It may be necessary to combine cartons to accommodate desired installation area. No installation materials provided. Order one SS-72 installation kit per panel, except for 48" panel, which needs two kits per panel.

Packaging: Each kit is packed in an individual carton.

ACCESSORIES

See pages 59-60 for complete listing of all wall accessories.

STANDARDS AND RATINGS

American Society of Testing and Materials (ASTM) E-84: Class A Flame Spread Rating
American National Standard Institute-ANSI Z124.6

International Association of Plumbing and Mechanical Officials (IAPMO)-Listed
cUPC listed-Certified to CSA Test Standard B45.5 by IAPMO
Uniform Plumbing Code (UPC)

For a complete list of tests and results see the Technical Data Sheet.

SUPPORT DOCUMENTS

Installation instructions available at swanstone.com.



COLORS

(See inside back cover for color sample.)

Solid Colors:

- White (010)
Bone (037)
Bisque (018)
Bright White (137)
Pearl (138)

Aggregate Colors:

- Acorn (123)
Almond Galaxy (046)
Arctic Granite (035)
Baby's Breath (168)
Barley (091)
Bermuda Sand (040)
Canyon (124)
Caraway Seed (169)
Cloud Bone (126)
Cloud White (125)
Cornflower (063)
Glacier (121)

- Golden Steppe (128)
Gray Granite (042)
Ice (130)
Indian Grass (071)
Mountain Haze (129)
Night Sky (012)
Pebble (072)
Prairie (122)
Sierra (094)
Tahiti Desert (050)
Tahiti Gray (053)
Tahiti Ivory (059)
Tahiti Matrix (058)
Tahiti Sand (051)
Tahiti Terra (055)
Tahiti White (011)
Tundra (131)
Winter Wheat (060)

MAINTENANCE AND CLEANING INFORMATION

Clean regularly with common household liquid cleaners and rinse within five minutes of application. Occasional scrubbing with abrasive cleaners ensures that the original luster will be maintained. Do not use "leave on" cleaning products, such as automatic spray shower cleaners. Prolonged contact with harsh chemicals could have an adverse reaction over time and discolor surfaces. Do not use cleaning agents that caution use on acrylic, polyester or plastics.



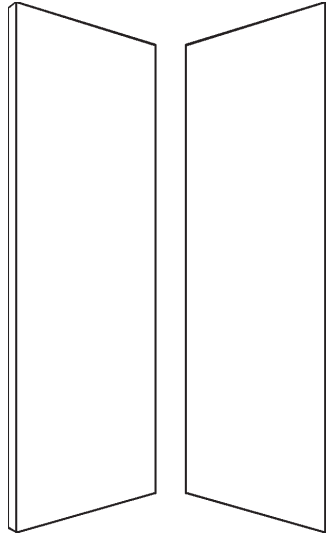
WARRANTY
 Limited Lifetime – Residential
 Limited 25-year – Commercial

Manufactured from Swanstone solid surface
 (See page 2 for detailed information.)

Recommended for high-use traffic areas and commercial surfaces.

FEATURES

- Reinforced solid surface means color and texture run all the way through and cannot wear away.
- Will not mold or mildew, no grout to clean.
- Ideal for remodeling, panels glue up over existing surface.
- Coordinates with other Swanstone bath products.
- Can be easily trimmed to fit any shower application.
- Widest range of sizes to fit most any project.
- Heat resistant—walls can handle steamer units.
- Compression molding means superior durability.



Double Panel Shower Walls

- 36" wide x 72" high (914 mm x 1829 mm)
- 36" wide x 96" high (914 mm x 2438 mm)
- 48" wide x 96" high (1219 mm x 2438 mm)

SPECIFICATIONS

Double Panel Shower Walls

| Model | Part | Nominal Dimensions | Ship Wt. Lb. | Ship FedEx | Carton Dims. In. | Cu. Ft. |
|-----------|-----------|--------------------|--------------|------------|------------------|---------|
| SS-3672-2 | SS0367202 | 36" W x 72" H | 91 | – | 74 x 45 x 4 | 7.71 |
| SS-3696-2 | SS0369602 | 36" W x 96" H | 131 | – | 102 x 45 x 4 | 10.21 |
| SS-4896-2 | SS0489602 | 48" W x 96" H | 193 | – | 102 x 56 x 4 | 12.70 |

Kit Includes: Two flat wall panels and installation instructions. It may be necessary to combine cartons to accommodate desired installation area. No installation materials provided. Order one **SS-72** installation kit per panel, except for 48" panel, which needs two kits per panel.

Packaging: Each kit is packed in an individual carton.

ACCESSORIES

See pages 59-60 for complete listing of all wall accessories.

STANDARDS AND RATINGS

American Society of Testing and Materials (ASTM) E-84: Class A Flame Spread Rating
 American National Standard Institute—ANSI Z124.6

International Association of Plumbing and Mechanical Officials (IAPMO)—Listed
 cUPC listed—Certified to CSA Test Standard B45.5 by IAPMO
 Uniform Plumbing Code (UPC)

For a complete list of tests and results see the Technical Data Sheet.

SUPPORT DOCUMENTS

Installation instructions available at swanstone.com.



COLORS

(See inside back cover for color sample.)

Solid Colors:

- White (010)
- Bone (037)
- Bisque (018)
- Bright White (137)
- Pearl (138)
- Golden Steppe (128)
- Gray Granite (042)
- Ice (130)
- Indian Grass (071)
- Mountain Haze (129)
- Night Sky (012)

Aggregate Colors:

- Acorn (123) 🍂
- Almond Galaxy (046)
- Arctic Granite (035)
- Baby's Breath (168)
- Barley (091)
- Bermuda Sand (040)
- Canyon (124) 🍂
- Caraway Seed (169)
- Cloud Bone (126)
- Cloud White (125)
- Cornflower (063)
- Glacier (121) 🍂
- Pebble (072)
- Prairie (122) 🍂
- Sierra (094)
- Tahiti Desert (050)
- Tahiti Gray (053)
- Tahiti Ivory (059)
- Tahiti Matrix (058)
- Tahiti Sand (051)
- Tahiti Terra (055)
- Tahiti White (011)
- Tundra (131)
- Winter Wheat (060)

MAINTENANCE AND CLEANING INFORMATION

Clean regularly with common household liquid cleaners and rinse within five minutes of application. Occasional scrubbing with abrasive cleaners ensures that the original luster will be maintained. **Do not** use "leave on" cleaning products, such as automatic spray shower cleaners. Prolonged contact with harsh chemicals could have an adverse reaction over time and discolor surfaces. **Do not** use cleaning agents that caution use on acrylic, polyester or plastics.

WARRANTY

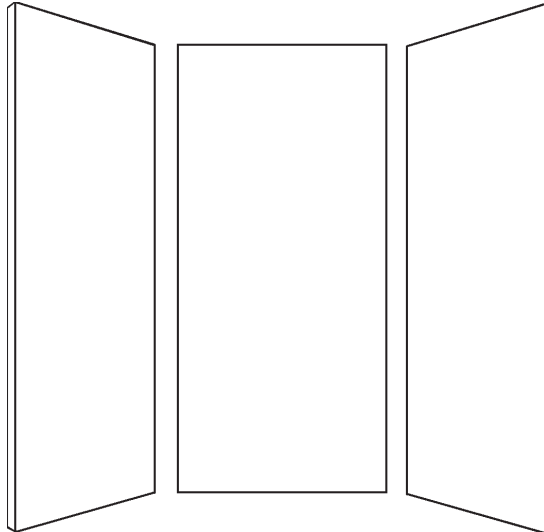
Limited Lifetime – Residential
 Limited 25-year – Commercial

Manufactured from Swanstone solid surface
 (See page 2 for detailed information.)

Recommended for high-use traffic areas and commercial surfaces.

FEATURES

- Reinforced solid surface means color and texture run all the way through and cannot wear away.
- Will not mold or mildew, no grout to clean.
- Ideal for remodeling, panels glue up over existing surface.
- Coordinates with other Swanstone bath products.
- Can be easily trimmed to fit any shower application.
- Widest range of sizes to fit most any project.
- Heat resistant—walls can handle steamer units.
- Compression molding means superior durability.



SS-3672-3
 36" wide x 72" high
 (914 mm x 1829 mm)

SPECIFICATIONS
SS-3672-3 Triple Panel Shower Walls

| Model | Part | Nominal Dimensions | Ship Wt. Lb. | Ship FedEx | Carton Dims. In. | Cu. Ft. |
|-----------|-----------|--------------------|--------------|------------|------------------|---------|
| SS-3672-3 | SS0367203 | 36" W x 72" H | 132 | — | 74 x 45 x 4 | 7.71 |

Kit Includes: Three flat wall panels and installation instructions. It may be necessary to combine cartons to accommodate desired installation area. No installation materials provided. Order one **SS-72** installation kit per panel.

Packaging: Each kit is packed in an individual carton.

ACCESSORIES

See pages 59-60 for complete listing of all wall accessories.

STANDARDS AND RATINGS

American Society of Testing and Materials (ASTM) E-84: Class A Flame Spread Rating

American National Standard Institute—ANSI Z124.6

International Association of Plumbing and Mechanical Officials (IAPMO)—Listed

cUPC listed—Certified to CSA Test Standard B45.5 by IAPMO

Uniform Plumbing Code (UPC)

For a complete list of tests and results see the Technical Data Sheet.

SUPPORT DOCUMENTS

Installation instructions available at swanstone.com.

 **MADE IN USA**

COLORS

(See inside back cover for color sample.)

Solid Colors:

- White (010)
- Bone (037)
- Bisque (018)
- Bright White (137)
- Pearl (138)

Aggregate Colors:

- Acorn (123) ✎
- Almond Galaxy (046)
- Arctic Granite (035)
- Baby's Breath (168)
- Barley (091)
- Bermuda Sand (040)
- Canyon (124) ✎
- Caraway Seed (169)
- Cloud Bone (126)
- Cloud White (125)
- Cornflower (063)
- Glacier (121) ✎
- Golden Steppe (128)
- Gray Granite (042)
- Ice (130)
- Indian Grass (071)
- Mountain Haze (129)
- Night Sky (012)
- Pebble (072)
- Prairie (122) ✎
- Sierra (094)
- Tahiti Desert (050)
- Tahiti Gray (053)
- Tahiti Ivory (059)
- Tahiti Matrix (058)
- Tahiti Sand (051)
- Tahiti Terra (055)
- Tahiti White (011)
- Tundra (131)
- Winter Wheat (060)

MAINTENANCE AND CLEANING INFORMATION

Clean regularly with common household liquid cleaners and rinse within five minutes of application. Occasional scrubbing with abrasive cleaners ensures that the original luster will be maintained. **Do not** use "leave on" cleaning products, such as automatic spray shower cleaners. Prolonged contact with harsh chemicals could have an adverse reaction over time and discolor surfaces. **Do not** use cleaning agents that caution use on acrylic, polyester or plastics.



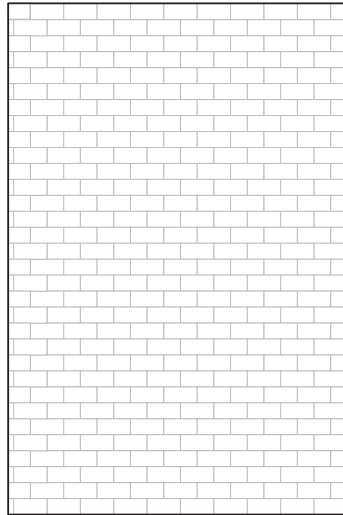
WARRANTY
 Limited Lifetime – Residential
 Limited 25-year – Commercial

Manufactured from Swanstone solid surface
 (See page 2 for detailed information.)

Recommended for high-use traffic areas and commercial surfaces.

FEATURES

- Classic look of 3 x 6-inch subway tile provides timeless elegance for your bath.
- No grout to maintain; will not mold or mildew.
- Ideal for remodeling, panels glue up over existing surface.
- Coordinates with other Swanstone bath products.
- Can be easily trimmed to fit any shower application.
- Widest range of sizes to fit most any project.
- Heat resistant—walls can handle steamer units.
- Compression molding means superior durability.



Single Panel Shower Walls

36" wide x 96" high (914 mm x 2438 mm)
 62" wide x 96" high (1575 mm x 2438 mm)

SPECIFICATIONS

12" Subway Tile Single Panel Shower Walls

| Model | Part | Nominal Dimensions | Ship Wt. Lb. | Ship FedEx | Carton Dims. In. | Cu. Ft. |
|-------------|------------|--------------------|--------------|------------|------------------|---------|
| SSST-3696-1 | SSST369601 | 36" W x 96" H | 96 | – | 42 x 4 x 102 | 10 |
| SSST-6296-1 | SSST629601 | 62" W x 96" H | 108 | – | 68 x 4 x 102 | 16.06 |

Kit Includes: One flat wall panel and installation instructions. It may be necessary to combine cartons to accommodate desired installation area. No installation materials provided. Order one **SS-72** installation kit per **SSST-3696** panel; the **SSST-6296** requires two installation kits per panel.

Packaging: Each kit is packed in an individual carton.

ACCESSORIES

See pages 59-60 for complete listing of all wall accessories.

STANDARDS AND RATINGS

American Society of Testing and Materials (ASTM) E-84: Class A Flame Spread Rating

American National Standard Institute—ANSI Z124.6

International Association of Plumbing and Mechanical Officials (IAPMO)—Listed

cUPC listed—Certified to CSA Test Standard B45.5 by IAPMO

Uniform Plumbing Code (UPC)

For a complete list of tests and results see the Technical Data Sheet.

SUPPORT DOCUMENTS

Installation instructions available at swanstone.com.



COLORS

(See inside back cover for color sample.)

Solid Colors:

- White (010)
- Bone (037)
- Bisque (018)
- Bright White (137)
- Pearl (138)

- Golden Steppe (128)
- Gray Granite (042)
- Ice (130)
- Indian Grass (071)
- Mountain Haze (129)
- Night Sky (012)

Aggregate Colors:

- Acorn (123) 🍂
- Almond Galaxy (046)
- Arctic Granite (035)
- Baby's Breath (168)
- Barley (091)
- Bermuda Sand (040)
- Canyon (124) 🍂
- Caraway Seed (169)
- Cloud Bone (126)
- Cloud White (125)
- Cornflower (063)
- Glacier (121) 🍂

- Pebble (072)
- Prairie (122) 🍂
- Sierra (094)
- Tahiti Desert (050)
- Tahiti Gray (053)
- Tahiti Ivory (059)
- Tahiti Matrix (058)
- Tahiti Sand (051)
- Tahiti Terra (055)
- Tahiti White (011)
- Tundra (131)
- Winter Wheat (060)

MAINTENANCE AND CLEANING INFORMATION

Clean regularly with common household liquid cleaners and rinse within five minutes of application. Occasional scrubbing with abrasive cleaners ensures that the original luster will be maintained. **Do not** use "leave on" cleaning products, such as automatic spray shower cleaners. Prolonged contact with harsh chemicals could have an adverse reaction over time and discolor surfaces. **Do not** use cleaning agents that caution use on acrylic, polyester or plastics.



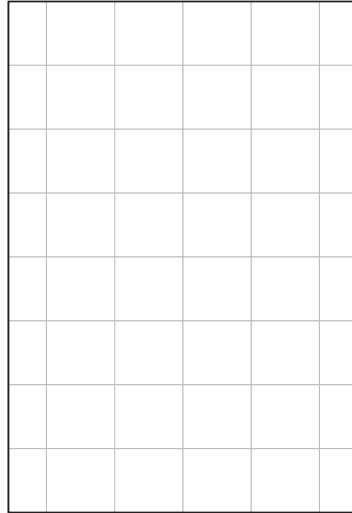
WARRANTY
 Limited Lifetime – Residential
 Limited 25-year – Commercial

Manufactured from Swanstone solid surface
 (See page 2 for detailed information.)

Recommended for high-use traffic areas and commercial surfaces..

FEATURES

- Chamfered-edges on the 12-inch square tile pattern provide the high-end look of travertine.
- No grout to maintain; will not mold or mildew.
- Ideal for remodeling, panels glue up over existing surface.
- Coordinates with other Swanstone bath products.
- Can be easily trimmed to fit any shower application.
- Widest range of sizes to fit most any project.
- Heat resistant—walls can handle steamer units.
- Compression molding means superior durability.



Single Panel Shower Walls

36" wide x 96" high (914 mm x 2438 mm)
 62" wide x 96" high (1575 mm x 2438 mm)

SPECIFICATIONS

12" Square Tile Single Panel Shower Walls

| Model | Part | Nominal Dimensions | Ship Wt. Lb. | Ship FedEx | Carton Dims. In. | Cu. Ft. |
|-------------|------------|--------------------|--------------|------------|------------------|---------|
| SSSQ-3696-1 | SSSQ369601 | 36" W x 96" H | 96 | - | 42 x 4 x 102 | 10 |
| SSSQ-6296-1 | SSSQ629601 | 62" W x 96" H | 108 | - | 68 x 4 x 102 | 16.06 |

Kit Includes: One flat wall panel and installation instructions. It may be necessary to combine cartons to accommodate desired installation area. No installation materials provided. Order one **SS-72** installation kit per **SSSQ-3696** panel; the **SSSQ-6296** requires two installation kits per panel.

Packaging: Each kit is packed in an individual carton.

ACCESSORIES

See pages 59-60 for complete listing of all wall accessories.

STANDARDS AND RATINGS

American Society of Testing and Materials (ASTM) E-84: Class A Flame Spread Rating
 American National Standard Institute—ANSI Z124.6

International Association of Plumbing and Mechanical Officials (IAPMO)—Listed
 cUPC listed—Certified to CSA Test Standard B45.5 by IAPMO
 Uniform Plumbing Code (UPC)

For a complete list of tests and results see the Technical Data Sheet.

SUPPORT DOCUMENTS

Installation instructions available at swanstone.com.



COLORS

(See inside back cover for color sample.)

Solid Colors:

- White (010)
- Bone (037)
- Bisque (018)
- Bright White (137)
- Pearl (138)

Aggregate Colors:

- Acorn (123) ✂
- Almond Galaxy (046)
- Arctic Granite (035)
- Baby's Breath (168)
- Barley (091)
- Bermuda Sand (040)
- Canyon (124) ✂
- Caraway Seed (169)
- Cloud Bone (126)
- Cloud White (125)
- Cornflower (063)
- Glacier (121) ✂

- Golden Steppe (128)
- Gray Granite (042)
- Ice (130)
- Indian Grass (071)
- Mountain Haze (129)
- Night Sky (012)
- Pebble (072)
- Prairie (122) ✂
- Sierra (094)
- Tahiti Desert (050)
- Tahiti Gray (053)
- Tahiti Ivory (059)
- Tahiti Matrix (058)
- Tahiti Sand (051)
- Tahiti Terra (055)
- Tahiti White (011)
- Tundra (131)
- Winter Wheat (060)

MAINTENANCE AND CLEANING INFORMATION

Clean regularly with common household liquid cleaners and rinse within five minutes of application. Occasional scrubbing with abrasive cleaners ensures that the original luster will be maintained. **Do not** use "leave on" cleaning products, such as automatic spray shower cleaners. Prolonged contact with harsh chemicals could have an adverse reaction over time and discolor surfaces. **Do not** use cleaning agents that caution use on acrylic, polyester or plastics.



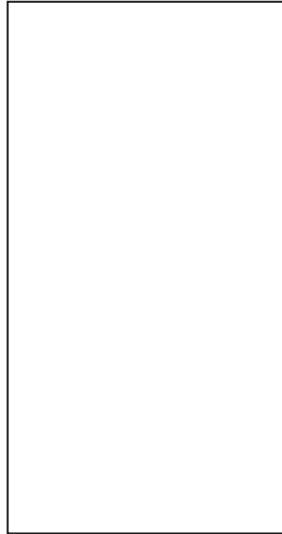
WARRANTY
Limited Lifetime – Residential
Limited 25-year – Commercial

Manufactured from Swanstone solid surface
(See page 2 for detailed information.)

Recommended for high-use traffic areas and commercial surfaces.

FEATURES

- Reinforced solid surface means color and texture run all the way through and cannot wear away.
- Will not mold or mildew, no grout to clean.
- Ideal for remodeling, panels glue up over existing surface.
- Coordinates with other Swanstone bath products.
- Can be easily trimmed to fit any shower application.
- Widest range of sizes to fit most any project.
- Heat resistant—walls can handle steamer units.
- Compression molding means superior durability.



Single Panel Shower Walls

- 36" wide x 72" high (914 mm x 1829 mm)
- 36" wide x 96" high (914 mm x 2438 mm)
- 48" wide x 96" high (1219 mm x 2438 mm)

SPECIFICATIONS

Crystal Colors Single Panel Shower Walls

| Model | Part | Nominal Dimensions | Ship Wt. Lb. | Ship FedEx | Carton Dims. In. | Cu. Ft. |
|-------------|-------------|--------------------|--------------|------------|------------------|---------|
| CCSP-3672-1 | CCSP0367201 | 36" W x 72" H | 53 | – | 78 x 42 x 4 | 7.58 |
| CCSP-3696-1 | CCSP0369601 | 36" W x 96" H | 84 | – | 102 x 42 x 4 | 9.92 |
| CCSP-4896-1 | CCSP0489601 | 48" W x 96" H | 133 | – | 102 x 54 x 4 | 12.75 |

COLORS

(See inside back cover for color sample.)

- Caramel Glass (133)
- Crystal White (105)
- Crystal Black (107)
- Gray Glass (134)
- Crystal Cream (106)
- Ivory Glass (132)

Kit Includes: One flat wall panel and installation instructions. It may be necessary to combine cartons to accommodate desired installation area. No installation materials provided.

Packaging: Each kit is packed in an individual carton.

ACCESSORIES

See pages 59-60 for complete listing of all wall accessories.

STANDARDS AND RATINGS

American Society of Testing and Materials (ASTM) E-84: Class A Flame Spread Rating
American National Standard Institute—ANSI Z124.6

International Association of Plumbing and Mechanical Officials (IAPMO)—Listed
cUPC listed—Certified to CSA Test Standard B45.5 by IAPMO

Uniform Plumbing Code (UPC)

For a complete list of tests and results see the Technical Data Sheet.

SUPPORT DOCUMENTS

Installation instructions available at swanstone.com.

MADE IN USA

MAINTENANCE AND CLEANING INFORMATION

Clean regularly with common household liquid cleaners and rinse within five minutes of application. Occasional scrubbing with abrasive cleaners ensures that the original luster will be maintained. **Do not** use “leave on” cleaning products, such as automatic spray shower cleaners. Prolonged contact with harsh chemicals could have an adverse reaction over time and discolor surfaces. **Do not** use cleaning agents that caution use on acrylic, polyester or plastics.



WARRANTY
Limited Lifetime – Residential
Limited 25-year – Commercial

Manufactured from Swanstone solid surface
(See page 2 for detailed information.)

Recommended for high-use traffic areas and commercial surfaces.

FEATURES

- Reinforced solid surface means color and texture run all the way through and cannot wear away.
Will not mold or mildew, no grout to clean.
Ideal for remodeling, panels glue up over existing surface.
Coordinates with other Swanstone bath products.
Can be easily trimmed to fit any shower application.
Widest range of sizes to fit most any project.
Heat resistant—walls can handle steamer units.
Compression molding means superior durability.



NOTE: Overlap panels are used to create 60 x 36 x 72-inch or 60 x 36 x 96-inch enclosure combined with CCSK72-3648 or CCSK96-3648.

Overlap Panel Shower Walls

- 11-3/4" wide x 72" high (298 mm x 1829 mm)
11-3/4" wide x 96" high (298 mm x 2438 mm)

SPECIFICATIONS

Crystal Colors Overlap Panel Shower Walls

Table with 7 columns: Model, Part, Nominal Dimensions, Ship Wt. Lb., Ship FedEx, Carton Dims. In., Cu. Ft.
Rows include CCSO-1272 and CCSO-1296.

Kit Includes: One flat wall panel and installation instructions. It may be necessary to combine cartons to accommodate desired installation area. No installation materials provided.

Packaging: Each kit is packed in an individual carton.

COLORS

(See inside back cover for color sample.)

- Caramel Glass (133)
Crystal White (105)
Crystal Black (107)
Gray Glass (134)
Crystal Cream (106)
Ivory Glass (132)

ACCESSORIES

See pages 59-60 for complete listing of all wall accessories.

STANDARDS AND RATINGS

American Society of Testing and Materials (ASTM) E-84: Class A Flame Spread Rating
American National Standard Institute—ANSI Z124.6

International Association of Plumbing and Mechanical Officials (IAPMO)—Listed
cUPC listed—Certified to CSA Test Standard B45.5 by IAPMO

Uniform Plumbing Code (UPC)

For a complete list of tests and results see the Technical Data Sheet.

SUPPORT DOCUMENTS

Installation instructions available at swanstone.com.

MADE IN USA

MAINTENANCE AND CLEANING INFORMATION

Clean regularly with common household liquid cleaners and rinse within five minutes of application. Occasional scrubbing with abrasive cleaners ensures that the original luster will be maintained. Do not use "leave on" cleaning products, such as automatic spray shower cleaners. Prolonged contact with harsh chemicals could have an adverse reaction over time and discolor surfaces. Do not use cleaning agents that caution use on acrylic, polyester or plastics.



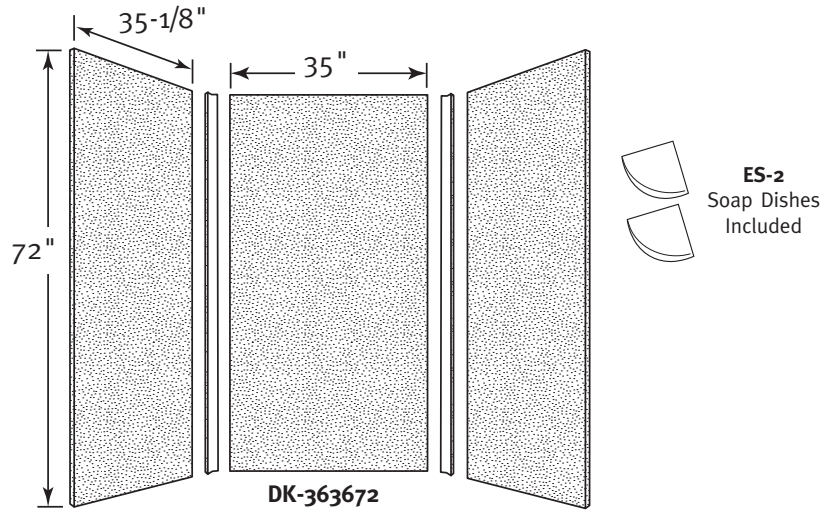
WARRANTY
 Limited Lifetime – Residential
 Limited 25-year – Commercial

Manufactured from Swanstone solid surface
 (See page 2 for detailed information.)

Recommended for high-use traffic areas and commercial surfaces.

FEATURES

- Three-dimensional textured panel patterns made from Swanstone.
- Swanstone solid surface means color and texture run all the way through and cannot wear away.
- Panels clean easily using household cleaners, and the solid surface resists the growth of mold and mildew.
- Heat resistant—walls can handle steamer units.
- Color coordinates to match other Swanstone bath products.
- Ideal for remodeling, panels glue up over existing surface.



DK-363672
 Designed to fit base areas
 36" deep or smaller x 36" wide x 72" high (914 mm x 914 mm x 1829 mm)

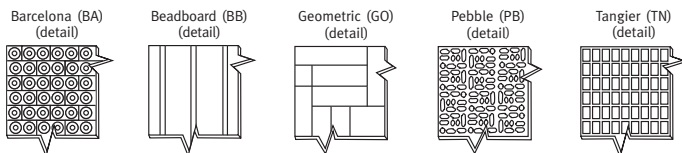
SPECIFICATIONS

DK-363672 Swanstone Decorative Panel Shower Wall Kit

| Model | Part | Base Area Designed To Fit | Ship Wt. Lb. | Ship FedEx | Carton Dims. In. | Cu. Ft. |
|------------|-----------|---|--------------|------------|------------------|---------|
| DK-363672* | DK363672* | 36" D x 36" W x 72" H (914 mm or smaller x 914 mm x 1829 mm) | 110 | - | 75 x 39 x 5 | 8.40 |

Kit Includes: Two side panels, one back panel, two corner molding strips, two corner soap dishes and installation materials.

Packaging: Each kit is packed in an individual carton.



*NOTE: Add the appropriate code letters (BA, BB, GO, PB or TN) at the end of the model and part numbers to indicate the pattern of your choice.

ACCESSORIES

See pages 59-60 for complete listing of all wall accessories.

STANDARDS AND RATINGS

American Society of Testing and Materials (ASTM) E-84: Class A Flame Spread Rating

American National Standard Institute—ANSI Z124.6

International Association of Plumbing and Mechanical Officials (IAPMO)—Listed

cUPC listed—Certified to CSA Test Standard B45.5 by IAPMO

Uniform Plumbing Code (UPC)

For a complete list of tests and results see the Technical Data Sheet.

SUPPORT DOCUMENTS

Installation instructions available at swanstone.com.

MADE IN USA

COLORS

(See inside back cover for color sample.)

Solid Colors:

- White (010)
- Bone (037)
- Bisque (018)
- Bright White (137)
- Pearl (138)

Aggregate Colors:

- Acorn (123)
- Almond Galaxy (046)
- Arctic Granite (035)
- Baby's Breath (168)
- Barley (091)
- Bermuda Sand (040)
- Canyon (124)
- Caraway Seed (169)
- Cloud Bone (126)
- Cloud White (125)
- Cornflower (063)
- Glacier (121)

- Golden Steppe (128)
- Gray Granite (042)
- Ice (130)
- Indian Grass (071)
- Mountain Haze (129)
- Night Sky (012)
- Pebble (072)
- Prairie (122)
- Sierra (094)
- Tahiti Desert (050)
- Tahiti Gray (053)
- Tahiti Ivory (059)
- Tahiti Matrix (058)
- Tahiti Sand (051)
- Tahiti Terra (055)
- Tahiti White (011)
- Tundra (131)
- Winter Wheat (060)

MAINTENANCE AND CLEANING INFORMATION

Clean regularly with common household liquid cleaners and rinse within five minutes of application. Occasional scrubbing with abrasive cleaners ensures that the original luster will be maintained. **Do not** use "leave on" cleaning products, such as automatic spray shower cleaners. Prolonged contact with harsh chemicals could have an adverse reaction over time and discolor surfaces. **Do not** use cleaning agents that caution use on acrylic, polyester or plastics.



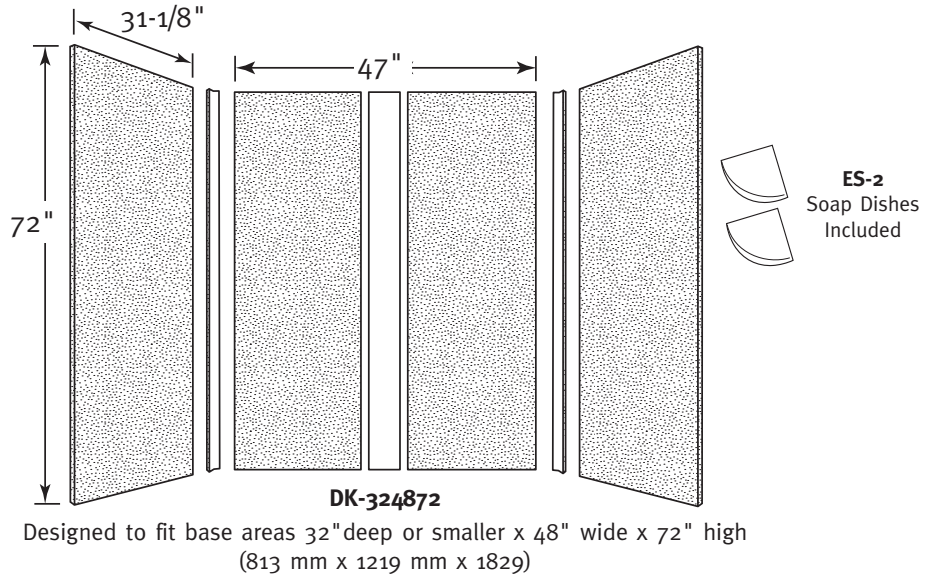
WARRANTY
 Limited Lifetime – Residential
 Limited 25-year – Commercial

Manufactured from Swanstone solid surface
 (See page 2 for detailed information.)

Recommended for high-use traffic areas and commercial surfaces.

FEATURES

- Three-dimensional textured panel patterns made from Swanstone.
- Swanstone solid surface means color and texture run all the way through and cannot wear away.
- Panels clean easily using household cleaners, and the solid surface resists the growth of mold and mildew.
- Heat resistant—walls can handle steamer units.
- Color coordinates to match other Swanstone bath products.
- Ideal for remodeling, panels glue up over existing surface.



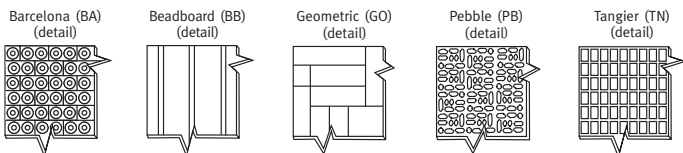
SPECIFICATIONS

DK-324872 Swanstone Decorative Panel Shower Wall Kit

| Model | Part | Base Area Designed To Fit | Ship Wt. Lb. | Ship FedEx | Carton Dims. In. | Cu. Ft. |
|------------|-----------|--|--------------|------------|------------------|---------|
| DK-324872* | DK324872* | 32" D x 48" W x 72" H (813 mm or smaller x 1219 mm x 1829 mm) | 140 | - | 51 x 37 x 5 | 5.46 |

Kit Includes: Two side panels, two back panels, two corner molding strips, one batten strip, two corner soap dishes and installation materials.

Packaging: Each kit is packed in an individual carton.



*NOTE: Add the appropriate code letters (BA, BB, GO, PB or TN) at the end of the model and part numbers to indicate the pattern of your choice.

ACCESSORIES

See pages 59-60 for complete listing of all wall accessories.

STANDARDS AND RATINGS

American Society of Testing and Materials (ASTM) E-84: Class A Flame Spread Rating

American National Standard Institute—ANSI Z124.6

International Association of Plumbing and Mechanical Officials (IAPMO)—Listed

cUPC listed—Certified to CSA Test Standard B45.5 by IAPMO

Uniform Plumbing Code (UPC)

For a complete list of tests and results see the Technical Data Sheet.

SUPPORT DOCUMENTS

Installation instructions available at swanstone.com.

MADE IN USA

COLORS

(See inside back cover for color sample.)

Solid Colors:

- White (010)
- Bone (037)
- Bisque (018)
- Bright White (137)
- Pearl (138)

Aggregate Colors:

- Acorn (123)
- Almond Galaxy (046)
- Arctic Granite (035)
- Baby's Breath (168)
- Barley (091)
- Bermuda Sand (040)
- Canyon (124)
- Caraway Seed (169)
- Cloud Bone (126)
- Cloud White (125)
- Cornflower (063)
- Glacier (121)

- Golden Steppe (128)
- Gray Granite (042)
- Ice (130)
- Indian Grass (071)
- Mountain Haze (129)
- Night Sky (012)
- Pebble (072)
- Prairie (122)
- Sierra (094)
- Tahiti Desert (050)
- Tahiti Gray (053)
- Tahiti Ivory (059)
- Tahiti Matrix (058)
- Tahiti Sand (051)
- Tahiti Terra (055)
- Tahiti White (011)
- Tundra (131)
- Winter Wheat (060)

MAINTENANCE AND CLEANING INFORMATION

Clean regularly with common household liquid cleaners and rinse within five minutes of application. Occasional scrubbing with abrasive cleaners ensures that the original luster will be maintained. **Do not** use "leave on" cleaning products, such as automatic spray shower cleaners. Prolonged contact with harsh chemicals could have an adverse reaction over time and discolor surfaces. **Do not** use cleaning agents that caution use on acrylic, polyester or plastics.



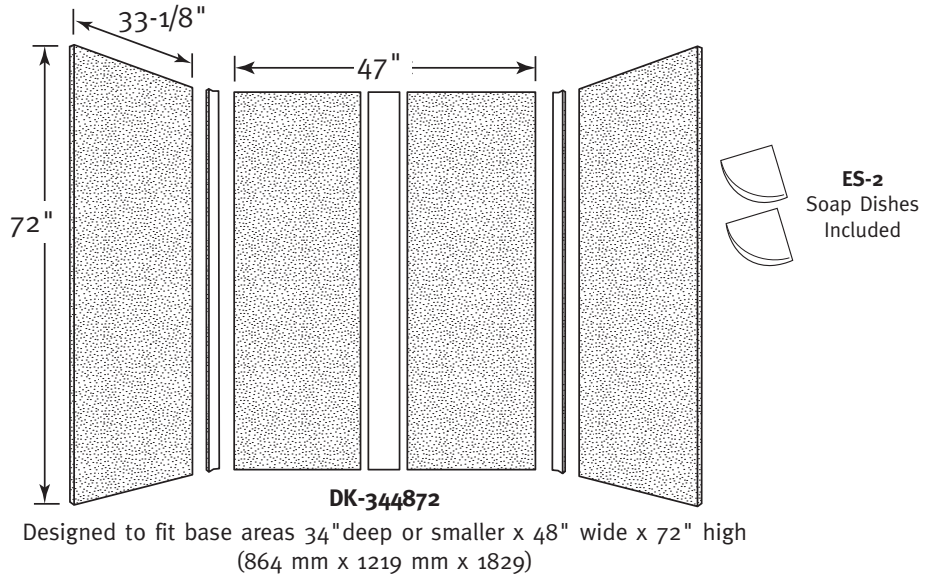
WARRANTY
 Limited Lifetime – Residential
 Limited 25-year – Commercial

Manufactured from Swanstone solid surface
 (See page 2 for detailed information.)

Recommended for high-use traffic areas and commercial surfaces.

FEATURES

- Three-dimensional textured panel patterns made from Swanstone.
- Swanstone solid surface means color and texture run all the way through and cannot wear away.
- Panels clean easily using household cleaners, and the solid surface resists the growth of mold and mildew.
- Heat resistant—walls can handle steamer units.
- Color coordinates to match other Swanstone bath products.
- Ideal for remodeling, panels glue up over existing surface.



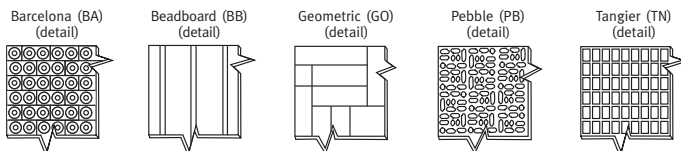
SPECIFICATIONS

DK-344872 Swanstone Decorative Panel Shower Wall Kit

| Model | Part | Base Area Designed To Fit | Ship Wt. Lb. | Ship FedEx | Carton Dims. In. | Cu. Ft. |
|------------|-----------|--|--------------|------------|------------------|---------|
| DK-344872* | DK344872* | 34" D x 48" W x 72" H (864 mm or smaller x 1219 mm x 1829 mm) | 140 | - | 55 x 74 x 5 | 5.46 |

Kit Includes: Two side panels, two back panels, two corner molding strips, one batten strip, two corner soap dishes and installation materials.

Packaging: Each kit is packed in an individual carton.



*NOTE: Add the appropriate code letters (BA, BB, GO, PB or TN) at the end of the model and part numbers to indicate the pattern of your choice.

ACCESSORIES

See pages 59-60 for complete listing of all wall accessories.

STANDARDS AND RATINGS

American Society of Testing and Materials (ASTM) E-84: Class A Flame Spread Rating

American National Standard Institute—ANSI Z124.6

International Association of Plumbing and Mechanical Officials (IAPMO)—Listed

cUPC listed—Certified to CSA Test Standard B45.5 by IAPMO

Uniform Plumbing Code (UPC)

For a complete list of tests and results see the Technical Data Sheet.

SUPPORT DOCUMENTS

Installation instructions available at swanstone.com.

MADE IN USA

COLORS

(See inside back cover for color sample.)

Solid Colors:

- White (010)
- Bone (037)
- Bisque (018)
- Bright White (137)
- Pearl (138)

Aggregate Colors:

- Acorn (123)
- Almond Galaxy (046)
- Arctic Granite (035)
- Baby's Breath (168)
- Barley (091)
- Bermuda Sand (040)
- Canyon (124)
- Caraway Seed (169)
- Cloud Bone (126)
- Cloud White (125)
- Cornflower (063)
- Glacier (121)

- Golden Steppe (128)
- Gray Granite (042)
- Ice (130)
- Indian Grass (071)
- Mountain Haze (129)
- Night Sky (012)
- Pebble (072)
- Prairie (122)
- Sierra (094)
- Tahiti Desert (050)
- Tahiti Gray (053)
- Tahiti Ivory (059)
- Tahiti Matrix (058)
- Tahiti Sand (051)
- Tahiti Terra (055)
- Tahiti White (011)
- Tundra (131)
- Winter Wheat (060)

MAINTENANCE AND CLEANING INFORMATION

Clean regularly with common household liquid cleaners and rinse within five minutes of application. Occasional scrubbing with abrasive cleaners ensures that the original luster will be maintained. **Do not** use "leave on" cleaning products, such as automatic spray shower cleaners. Prolonged contact with harsh chemicals could have an adverse reaction over time and discolor surfaces. **Do not** use cleaning agents that caution use on acrylic, polyester or plastics.

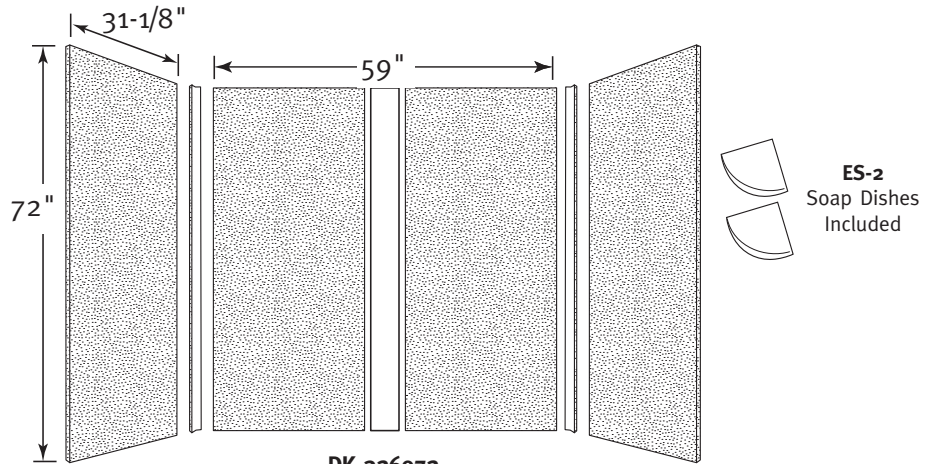
WARRANTY

 Limited Lifetime – Residential
 Limited 25-year – Commercial

Manufactured from Swanstone solid surface
 (See page 2 for detailed information.)

Recommended for high-use traffic areas and commercial surfaces.
FEATURES

- Three-dimensional textured panel patterns made from Swanstone.
- Swanstone solid surface means color and texture run all the way through and cannot wear away.
- Panels clean easily using household cleaners, and the solid surface resists the growth of mold and mildew.
- Heat resistant—walls can handle steamer units.
- Color coordinates to match other Swanstone bath products.
- Ideal for remodeling, panels glue up over existing surface.


DK-326072

Designed to fit base areas

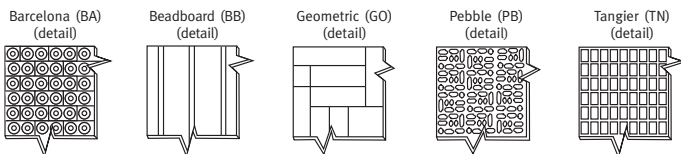
 32" deep or smaller x 60" wide x 72" high
 (813 mm x 1524 mm x 1829)

SPECIFICATIONS
DK-326072 Swanstone Decorative Panel Shower Wall Kit

| Model | Part | Base Area Designed To Fit | Ship Wt. Lb. | Ship FedEx | Carton Dims. In. | Cu. Ft. |
|------------|-----------|--|--------------|------------|------------------|---------|
| DK-326072* | DK326072* | 32" D x 60" W x 72" H (813 mm or smaller x 1524 mm x 1829 mm) | 160 | – | 78 x 66 x 5 | 11.92 |

Kit Includes: Two side panels, two back panels, two corner molding strips, one batten strip, two corner soap dishes and installation materials.

Packaging: Each kit is packed in an individual carton.



*NOTE: Add the appropriate code letters (BA, BB, GO, PB or TN) at the end of the model and part numbers to indicate the pattern of your choice.

ACCESSORIES

See pages 59-60 for complete listing of all wall accessories.

STANDARDS AND RATINGS

American Society of Testing and Materials (ASTM) E-84: Class A Flame Spread Rating

American National Standard Institute—ANSI Z124.6

International Association of Plumbing and Mechanical Officials (IAPMO)—Listed

cUPC listed—Certified to CSA Test Standard B45.5 by IAPMO

Uniform Plumbing Code (UPC)

For a complete list of tests and results see the Technical Data Sheet.

SUPPORT DOCUMENTS

 Installation instructions available at swanstone.com.

 **MADE IN USA**
COLORS

(See inside back cover for color sample.)

Solid Colors:

- White (010)
- Bone (037)
- Bisque (018)
- Bright White (137)
- Pearl (138)

Aggregate Colors:

- Acorn (123) 🍂
- Almond Galaxy (046)
- Arctic Granite (035)
- Baby's Breath (168)
- Barley (091)
- Bermuda Sand (040)
- Canyon (124) 🍂
- Caraway Seed (169)
- Cloud Bone (126)
- Cloud White (125)
- Cornflower (063)
- Glacier (121) 🍂

- Golden Steppe (128)
- Gray Granite (042)
- Ice (130)
- Indian Grass (071)
- Mountain Haze (129)
- Night Sky (012)
- Pebble (072)
- Prairie (122) 🍂
- Sierra (094)
- Tahiti Desert (050)
- Tahiti Gray (053)
- Tahiti Ivory (059)
- Tahiti Matrix (058)
- Tahiti Sand (051)
- Tahiti Terra (055)
- Tahiti White (011)
- Tundra (131)
- Winter Wheat (060)

MAINTENANCE AND CLEANING INFORMATION

 Clean regularly with common household liquid cleaners and rinse within five minutes of application. Occasional scrubbing with abrasive cleaners ensures that the original luster will be maintained. **Do not** use "leave on" cleaning products, such as automatic spray shower cleaners. Prolonged contact with harsh chemicals could have an adverse reaction over time and discolor surfaces. **Do not** use cleaning agents that caution use on acrylic, polyester or plastics.



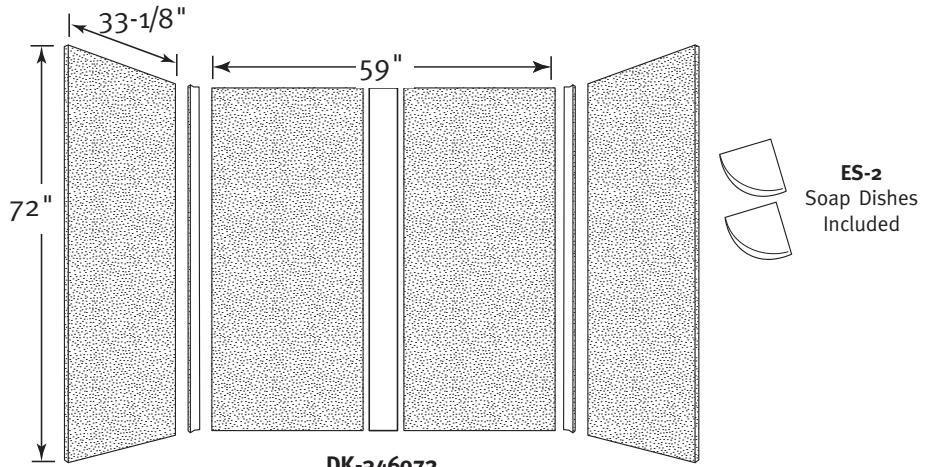
WARRANTY
 Limited Lifetime – Residential
 Limited 25-year – Commercial

Manufactured from Swanstone solid surface
 (See page 2 for detailed information.)

Recommended for high-use traffic areas and commercial surfaces.

FEATURES

- Three-dimensional textured panel patterns made from Swanstone.
- Swanstone solid surface means color and texture run all the way through and cannot wear away.
- Panels clean easily using household cleaners, and the solid surface resists the growth of mold and mildew.
- Heat resistant—walls can handle steamer units.
- Color coordinates to match other Swanstone bath products.
- Ideal for remodeling, panels glue up over existing surface.



DK-346072
 Designed to fit base areas
 34" deep or smaller x 60" wide x 72" high
 (864 mm x 1524 mm x 1829)

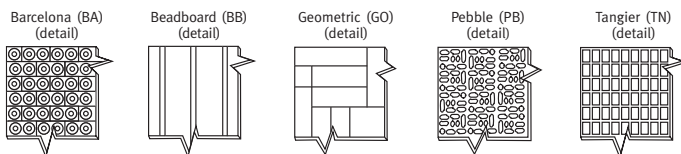
SPECIFICATIONS

DK-346072 Swanstone Decorative Panel Shower Wall Kit

| Model | Part | Base Area Designed To Fit | Ship Wt. Lb. | Ship FedEx | Carton Dims. In. | Cu. Ft. |
|------------|-----------|--|--------------|------------|------------------|---------|
| DK-346072* | DK346072* | 34" D x 60" W x 72" H (864 mm or smaller x 1524 mm x 1829 mm) | 160 | - | 74 x 67 x 5 | 8.61 |

Kit Includes: Two side panels, two back panels, two corner molding strips, one batten strip, two corner soap dishes and installation materials.

Packaging: Each kit is packed in an individual carton.



*NOTE: Add the appropriate code letters (BA, BB, GO, PB or TN) at the end of the model and part numbers to indicate the pattern of your choice.

ACCESSORIES

See pages 59-60 for complete listing of all wall accessories.

STANDARDS AND RATINGS

American Society of Testing and Materials (ASTM) E-84: Class A Flame Spread Rating

American National Standard Institute—ANSI Z124.6

International Association of Plumbing and Mechanical Officials (IAPMO)—Listed

cUPC listed—Certified to CSA Test Standard B45.5 by IAPMO

Uniform Plumbing Code (UPC)

For a complete list of tests and results see the Technical Data Sheet.

SUPPORT DOCUMENTS

Installation instructions available at swanstone.com.

MADE IN USA

COLORS

(See inside back cover for color sample.)

Solid Colors:

- White (010)
- Bone (037)
- Bisque (018)
- Bright White (137)
- Pearl (138)

Aggregate Colors:

- Acorn (123)
- Almond Galaxy (046)
- Arctic Granite (035)
- Baby's Breath (168)
- Barley (091)
- Bermuda Sand (040)
- Canyon (124)
- Caraway Seed (169)
- Cloud Bone (126)
- Cloud White (125)
- Cornflower (063)
- Glacier (121)

- Golden Steppe (128)
- Gray Granite (042)
- Ice (130)
- Indian Grass (071)
- Mountain Haze (129)
- Night Sky (012)
- Pebble (072)
- Prairie (122)
- Sierra (094)
- Tahiti Desert (050)
- Tahiti Gray (053)
- Tahiti Ivory (059)
- Tahiti Matrix (058)
- Tahiti Sand (051)
- Tahiti Terra (055)
- Tahiti White (011)
- Tundra (131)
- Winter Wheat (060)

MAINTENANCE AND CLEANING INFORMATION

Clean regularly with common household liquid cleaners and rinse within five minutes of application. Occasional scrubbing with abrasive cleaners ensures that the original luster will be maintained. **Do not** use "leave on" cleaning products, such as automatic spray shower cleaners. Prolonged contact with harsh chemicals could have an adverse reaction over time and discolor surfaces. **Do not** use cleaning agents that caution use on acrylic, polyester or plastics.

WARRANTY

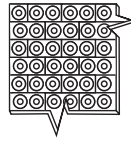
Limited Lifetime – Residential
 Limited 25-year – Commercial

Manufactured from Swanstone solid surface
 (See page 2 for detailed information.)

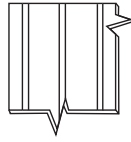
Recommended for high-use traffic areas and commercial surfaces.

FEATURES

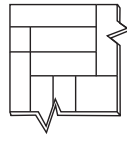
- Three dimensional textures and patterns.
- Five decorative wall panel patterns from which to choose.
- Use one or more panels to add drama or a subtle touch to your bath suite.
- Reinforced solid surface means color and texture run all the way through and cannot wear away.
- Will not mold or mildew, no grout to clean.
- Ideal for remodeling, panels glue up over existing surface.
- Trim panels for a variety of design options.
- Also makes beautiful wainscoting or kitchen backsplash.



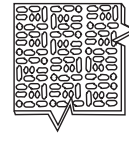
Barcelona (detail)



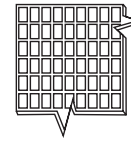
Beadboard (detail)



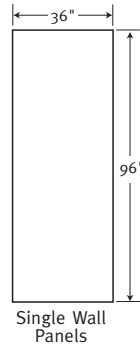
Geometric (detail)



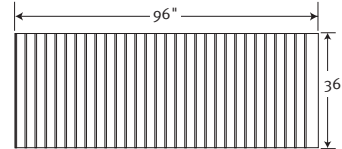
Pebble (detail)



Tangier (detail)



Single Wall Panels



Wainscot Beadboard Panels

Decorative Wall Panels

36" wide x 96" high*
 (914 mm x 2438 mm)

*Wainscot Beadboard: 96" wide x 36" high

SPECIFICATIONS
Swanstone Decorative Wall Panels

| Model | Part | Description | Ship Wt. Lb. | Ship FedEx | Carton Dims. In. | Cu. Ft. |
|--|-------------|---------------------|-----------------|---------------|---------------------|---------|
| Single Wall Panels All panels are 36" wide x 96" high* (914 mm x 2438 mm) | | | | | | |
| DWP-3696BA-1 | DP03696BA01 | Barcelona | 78 | - | 98 x 38 x 4 | 8.62 |
| DWP-3696BB-1 | DP03696BB01 | Beadboard | 78 | - | 98 x 38 x 4 | 8.62 |
| DWP-3696GO-1 | DP03696GO01 | Geometric | 78 | - | 98 x 38 x 4 | 8.62 |
| DWP-3696PB-1 | DP03696PB01 | Pebble | 78 | - | 98 x 38 x 4 | 8.62 |
| DWP-3696TN-1 | DP03696TN01 | Tangier | 78 | - | 98 x 38 x 4 | 8.62 |
| DWP-9636WB-1 | DP09636WB01 | Wainscot Beadboard* | 78 | - | 98 x 38 x 4 | 8.62 |

Kit Includes: One flat wall panel and complete installation instructions. It may be necessary to combine cartons to accommodate desired installation area. No installation materials provided. Packaging: Each kit is packed in an individual carton.

ACCESSORIES

See pages 59-60 for complete listing of all wall accessories.

STANDARDS AND RATINGS

American Society of Testing and Materials (ASTM) E-84: Class A Flame Spread Rating

American National Standard Institute—ANSI Z124.6

International Association of Plumbing and Mechanical Officials (IAPMO)—Listed

cUPC listed—Certified to CSA Test Standard B45.5 by IAPMO

Uniform Plumbing Code (UPC)

For a complete list of tests and results see the Technical Data Sheet.

SUPPORT DOCUMENTS

Installation instructions available at swanstone.com.

 **MADE IN USA**

COLORS

(See inside back cover for color sample.)

Solid Colors:

- White (010)
- Bone (037)
- Bisque (018)
- Bright White (137)
- Pearl (138)

Aggregate Colors:

- Acorn (123) 🍂
- Almond Galaxy (046)
- Arctic Granite (035)
- Baby's Breath (168)
- Barley (091)
- Bermuda Sand (040)
- Canyon (124) 🍂
- Caraway Seed (169)
- Cloud Bone (126)
- Cloud White (125)
- Cornflower (063)
- Glacier (121) 🍂

- Golden Steppe (128)
- Gray Granite (042)
- Ice (130)
- Indian Grass (071)
- Mountain Haze (129)
- Night Sky (012)
- Pebble (072)
- Prairie (122) 🍂
- Sierra (094)
- Tahiti Desert (050)
- Tahiti Gray (053)
- Tahiti Ivory (059)
- Tahiti Matrix (058)
- Tahiti Sand (051)
- Tahiti Terra (055)
- Tahiti White (011)
- Tundra (131)
- Winter Wheat (060)

MAINTENANCE AND CLEANING INFORMATION

Clean regularly with common household liquid cleaners and rinse within five minutes of application. Occasional scrubbing with abrasive cleaners ensures that the original luster will be maintained. **Do not** use "leave on" cleaning products, such as automatic spray shower cleaners. Prolonged contact with harsh chemicals could have an adverse reaction over time and discolor surfaces. **Do not** use cleaning agents that caution use on acrylic, polyester or plastics.

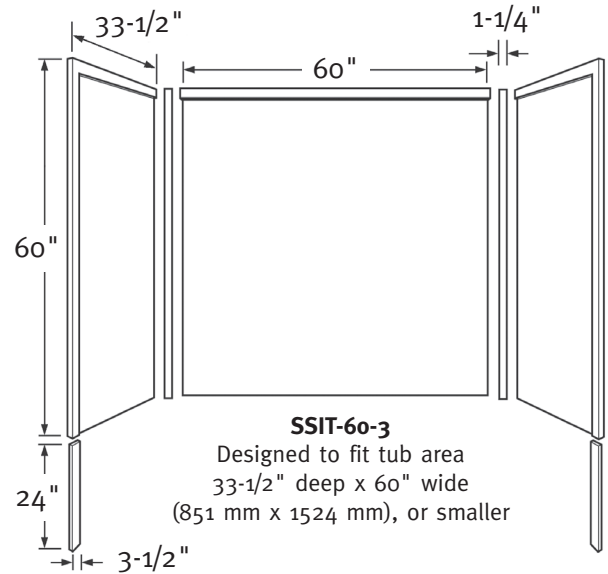
Manufactured from Swanstone solid surface
(See page 2 for detailed information.)

WARRANTY
Limited Lifetime – Residential
Limited 25-year – Commercial

Recommended for high-use traffic areas and commercial surfaces.

FEATURES

- Reinforced solid surface means color and texture run all the way through and cannot wear away.
- For added detailing, the panels' edges feature raised trim, eliminating the need for a separate trim kit.
- Will not mold or mildew, no grout to clean.
- Ideal for both remodeling projects and new construction.
- Heat resistant—walls can handle steamer units.
- Unique glue-up wall system includes a single, seamless back panel, two side panels and two corner molding strips.



SPECIFICATIONS

SSIT-60-3 Bathtub 3-Panel Wall Kit

| Model | Part | Tub Area Designed To Fit | Ship Wt. Lb. | Ship FedEx | Carton Dims. In. | Cu. Ft. |
|-----------|---------|---|-----------------|---------------|---------------------|---------|
| SSIT-60-3 | Sloo603 | 33-1/2" D x 60" W (851 mm x 1524 mm) (or smaller) | 169 | – | 67 x 67 x 4 | 10.39 |

Kit Includes: One back panel with integral trim, two side panels with integral trim, two bathtub apron strips, two corner moldings and installation instructions. Soap dishes and installation kit (**SS-29**) sold separately.
Packaging: Each kit is packed in a flat, rectangular carton.

ACCESSORIES

See pages 59-60 for complete listing of all wall accessories.

STANDARDS AND RATINGS

American Society of Testing and Materials (ASTM) E-84: Class A Flame Spread Rating
American National Standard Institute—ANSI Z124.6
International Association of Plumbing and Mechanical Officials (IAPMO)—Listed
cUPC listed—Certified to CSA Test Standard B45.5 by IAPMO
Uniform Plumbing Code (UPC)

For a complete list of tests and results see the Technical Data Sheet.

SUPPORT DOCUMENTS

Installation instructions available at swanstone.com.

 **MADE IN USA**

COLORS

(See inside back cover for color sample.)

Solid Colors:

- White (010)
- Bone (037)
- Bisque (018)
- Bright White (137)
- Pearl (138)

Aggregate Colors:

- Acorn (123) 
- Almond Galaxy (046)
- Arctic Granite (035)
- Baby's Breath (168)
- Barley (091)
- Bermuda Sand (040)
- Canyon (124) 
- Caraway Seed (169)
- Cloud Bone (126)
- Cloud White (125)
- Cornflower (063)
- Glacier (121) 

- Golden Steppe (128)
- Gray Granite (042)
- Ice (130)
- Indian Grass (071)
- Mountain Haze (129)
- Night Sky (012)
- Pebble (072)
- Prairie (122) 
- Sierra (094)
- Tahiti Desert (050)
- Tahiti Gray (053)
- Tahiti Ivory (059)
- Tahiti Matrix (058)
- Tahiti Sand (051)
- Tahiti Terra (055)
- Tahiti White (011)
- Tundra (131)
- Winter Wheat (060)

MAINTENANCE AND CLEANING INFORMATION

Clean regularly with common household liquid cleaners and rinse within five minutes of application. Occasional scrubbing with abrasive cleaners ensures that the original luster will be maintained. **Do not** use "leave on" cleaning products, such as automatic spray shower cleaners. Prolonged contact with harsh chemicals could have an adverse reaction over time and discolor surfaces. **Do not** use cleaning agents that caution use on acrylic, polyester or plastics.

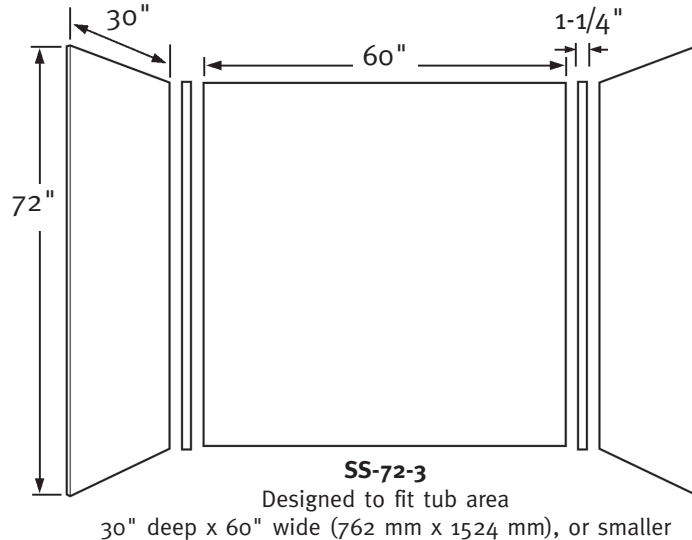
WARRANTY

 Limited Lifetime – Residential
 Limited 25-year – Commercial

Manufactured from Swanstone solid surface
 (See page 2 for detailed information)

Recommended for high-use traffic areas and commercial surfaces.
FEATURES

- Will not mold or mildew, no grout to clean.
- Ideal for both remodeling projects and new construction.
- Heat resistant—walls can handle steamer units.
- Reinforced solid surface means color and texture run all the way through and cannot wear away.
- Unique glue-up wall system includes a single back panel, two side panels and two corner molding strips.
- Optional **TK-6072** trim kit available.


SPECIFICATIONS
SS-72-3 Bathtub 3-Panel Wall Kit

| Model | Part | Tub Area Designed To Fit | Ship Wt. Lb. | Ship FedEx | Carton Dims. In. | Cu. Ft. |
|---------|---------|---|-----------------|---------------|---------------------|---------|
| SS-72-3 | SS00723 | 30" D x 60" W (762 mm x 1524 mm) (or smaller) | 165 | – | 78 x 66 x 4 | 11.92 |

Kit Includes: One flat back panel, two flat side panels, two corner moldings and installation instructions.

 Soap dishes and installation kit (**SS-29**) sold separately.

Packaging: Each kit is packed in a flat, rectangular carton.

ACCESSORIES

See pages 59-60 for complete listing of all wall accessories.

STANDARDS AND RATINGS

American Society of Testing and Materials (ASTM) E-84: Class A Flame Spread Rating

American National Standard Institute—ANSI Z124.6

International Association of Plumbing and Mechanical Officials (IAPMO)—Listed

cUPC listed—Certified to CSA Test Standard B45.5 by IAPMO

Uniform Plumbing Code (UPC)

For a complete list of tests and results see the Technical Data Sheet.

SUPPORT DOCUMENTS

 Installation instructions available at swanstone.com.

 **MADE IN USA**
COLORS

(See inside back cover for color sample.)

Solid Colors:

- White (010)
- Bone (037)
- Bisque (018)
- Bright White (137)
- Pearl (138)

Aggregate Colors:

- Acorn (123) ✂
- Almond Galaxy (046)
- Arctic Granite (035)
- Baby's Breath (168)
- Barley (091)
- Bermuda Sand (040)
- Canyon (124) ✂
- Caraway Seed (169)
- Cloud Bone (126)
- Cloud White (125)
- Cornflower (063)
- Glacier (121) ✂

- Golden Steppe (128)
- Gray Granite (042)
- Ice (130)
- Indian Grass (071)
- Mountain Haze (129)
- Night Sky (012)
- Pebble (072)
- Prairie (122) ✂
- Sierra (094)
- Tahiti Desert (050)
- Tahiti Gray (053)
- Tahiti Ivory (059)
- Tahiti Matrix (058)
- Tahiti Sand (051)
- Tahiti Terra (055)
- Tahiti White (011)
- Tundra (131)
- Winter Wheat (060)

**MAINTENANCE AND
CLEANING INFORMATION**

Clean regularly with common household liquid cleaners and rinse within five minutes of application. Occasional scrubbing with abrasive cleaners ensures that the original luster will be maintained. **Do not** use "leave on" cleaning products, such as automatic spray shower cleaners. Prolonged contact with harsh chemicals could have an adverse reaction over time and discolor surfaces. **Do not** use cleaning agents that caution use on acrylic, polyester or plastics.

Manufactured from Swanstone solid surface
(See page 2 for detailed information.)

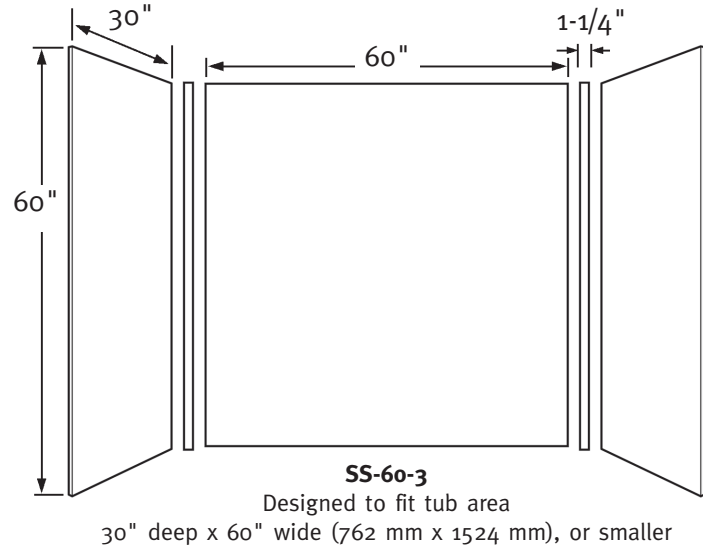
WARRANTY

Limited Lifetime – Residential
Limited 25-year – Commercial

Recommended for high-use traffic areas and commercial surfaces.

FEATURES

- Will not mold or mildew, no grout to clean.
- Ideal for both remodeling projects and new construction.
- Heat resistant—walls can handle steamer units.
- Reinforced solid surface means color and texture run all the way through and cannot wear away.
- Unique glue-up wall system includes a single back panel, two side panels and two corner molding strips.
- Optional **TK-6072** trim kit available.



SPECIFICATIONS

SS-60-3 Bathtub 3-Panel Wall Kit

| Model | Part | Tub Area Designed To Fit | Ship Wt. Lb. | Ship FedEx | Carton Dims. In. | Cu. Ft. |
|---------|---------|---|-----------------|---------------|---------------------|---------|
| SS-60-3 | SS00603 | 30" D x 60" W (762 mm x 1524 mm) (or smaller) | 145 | – | 66 x 66 x 4 | 10.08 |

Kit Includes: One flat back panel, two flat side panels, two corner moldings and installation instructions.

Soap dishes and installation kit (**SS-29**) sold separately.

Packaging: Each kit is packed in a flat, rectangular carton.

ACCESSORIES

See pages 59-60 for complete listing of all wall accessories.

STANDARDS AND RATINGS

American Society of Testing and Materials (ASTM) E-84: Class A Flame Spread Rating

American National Standard Institute—ANSI Z124.6

International Association of Plumbing and Mechanical Officials (IAPMO)—Listed

cUPC listed—Certified to CSA Test Standard B45.5 by IAPMO

Uniform Plumbing Code (UPC)

For a complete list of tests and results see the Technical Data Sheet.

SUPPORT DOCUMENTS

Installation instructions available at swanstone.com.

 **MADE IN USA**

COLORS

(See inside back cover for color sample.)

Solid Colors:

- White (010)
- Bone (037)
- Bisque (018)
- Bright White (137)
- Pearl (138)

Aggregate Colors:

- Acorn (123) 
- Almond Galaxy (046)
- Arctic Granite (035)
- Baby's Breath (168)
- Barley (091)
- Bermuda Sand (040)
- Canyon (124) 
- Caraway Seed (169)
- Cloud Bone (126)
- Cloud White (125)
- Cornflower (063)
- Glacier (121) 

- Golden Steppe (128)
- Gray Granite (042)
- Ice (130)
- Indian Grass (071)
- Mountain Haze (129)
- Night Sky (012)
- Pebble (072)
- Prairie (122) 
- Sierra (094)
- Tahiti Desert (050)
- Tahiti Gray (053)
- Tahiti Ivory (059)
- Tahiti Matrix (058)
- Tahiti Sand (051)
- Tahiti Terra (055)
- Tahiti White (011)
- Tundra (131)
- Winter Wheat (060)

MAINTENANCE AND CLEANING INFORMATION

Clean regularly with common household liquid cleaners and rinse within five minutes of application. Occasional scrubbing with abrasive cleaners ensures that the original luster will be maintained. **Do not** use "leave on" cleaning products, such as automatic spray shower cleaners. Prolonged contact with harsh chemicals could have an adverse reaction over time and discolor surfaces. **Do not** use cleaning agents that caution use on acrylic, polyester or plastics.

Manufactured from Swanstone solid surface
(See page 2 for detailed information.)

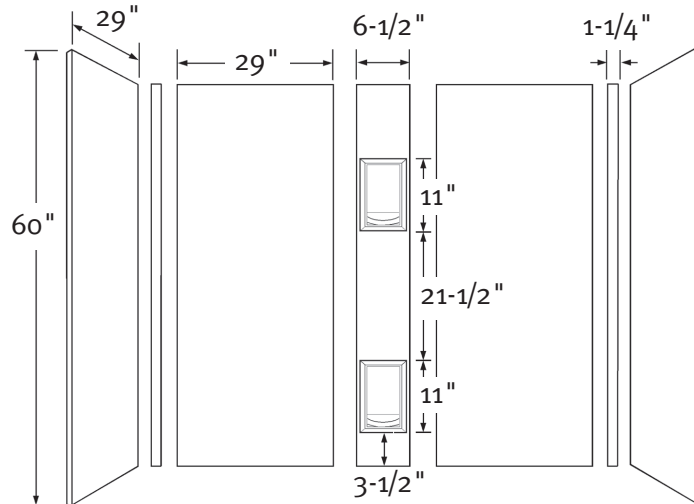
Recommended for high-use traffic areas and commercial surfaces.

WARRANTY

Limited Lifetime – Residential
Limited 25-year – Commercial

FEATURES

- Will not mold or mildew, no grout to clean.
- Ideal for both remodeling projects and new construction.
- Heat resistant—walls can handle steamer units.
- Reinforced solid surface means color and texture run all the way through and cannot wear away.
- Middle back panel features two soap shelves.
- Comes as a complete glue-up kit with three back panels, two side panels, two corner molding strips and installation materials.
- Optional **TK-6072** trim kit available.



SS-60-5

Designed to fit tub area 30" deep x 60" wide (762 mm x 1524 mm), or smaller

SPECIFICATIONS

SS-60-5 Bathtub 5-Panel Wall Kit

| Model | Part | Tub Area Designed To Fit | Ship Wt. Lb. | Ship FedEx | Carton Dims. In. | Cu. Ft. |
|---------|---------|---|-----------------|---------------|---------------------|---------|
| SS-60-5 | SS00605 | 30" D x 60" W (762 mm x 1524 mm) (or smaller) | 121 | – | 65 x 31 x 6 | 7 |

Kit Includes: One back panel with two molded-in soap and shampoo shelves, four flat wall panels, two corner moldings and installation materials.

Packaging: Each kit is packed in a flat, rectangular carton.

ACCESSORIES

See pages 59-60 for complete listing of all wall accessories.

STANDARDS AND RATINGS

American Society of Testing and Materials (ASTM) E-84: Class A Flame Spread Rating

American National Standard Institute—ANSI Z124.6

International Association of Plumbing and Mechanical Officials (IAPMO)—Listed

cUPC listed—Certified to CSA Test Standard B45.5 by IAPMO

Uniform Plumbing Code (UPC)

For a complete list of tests and results see the Technical Data Sheet.

SUPPORT DOCUMENTS

Installation instructions available at swanstone.com.

 **MADE IN USA**

COLORS

(See inside back cover for color sample.)

Solid Colors:

- White (010)
- Bone (037)
- Bisque (018)
- Bright White (137)
- Pearl (138)

Aggregate Colors:

- Acorn (123) 
- Almond Galaxy (046)
- Arctic Granite (035)
- Baby's Breath (168)
- Barley (091)
- Bermuda Sand (040)
- Canyon (124) 
- Caraway Seed (169)
- Cloud Bone (126)
- Cloud White (125)
- Cornflower (063)
- Glacier (121) 

- Golden Steppe (128)
- Gray Granite (042)
- Ice (130)
- Indian Grass (071)
- Mountain Haze (129)
- Night Sky (012)
- Pebble (072)
- Prairie (122) 
- Sierra (094)
- Tahiti Desert (050)
- Tahiti Gray (053)
- Tahiti Ivory (059)
- Tahiti Matrix (058)
- Tahiti Sand (051)
- Tahiti Terra (055)
- Tahiti White (011)
- Tundra (131)
- Winter Wheat (060)

MAINTENANCE AND CLEANING INFORMATION

Clean regularly with common household liquid cleaners and rinse within five minutes of application. Occasional scrubbing with abrasive cleaners ensures that the original luster will be maintained. **Do not** use "leave on" cleaning products, such as automatic spray shower cleaners. Prolonged contact with harsh chemicals could have an adverse reaction over time and discolor surfaces.

Do not use cleaning agents that caution use on acrylic, polyester or plastics.

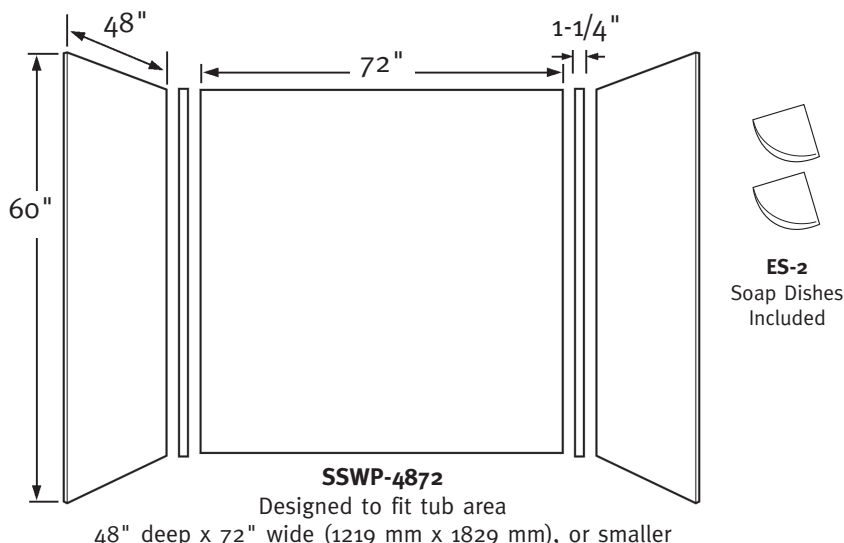
WARRANTY

 Limited Lifetime – Residential
 Limited 25-year – Commercial

Manufactured from Swanstone solid surface
 (See page 2 for detailed information.)

Recommended for high-use traffic areas and commercial surfaces.
FEATURES

- Will not mold or mildew, no grout to clean.
- Ideal for both remodeling projects and new construction.
- Heat resistant—walls can handle steamer units.
- Reinforced solid surface means color and texture run all the way through and cannot wear away.
- Unique glue-up wall system includes a single back panel, two side panels and two corner molding strips.
- Optional **TK-105** trim kit available.


SPECIFICATIONS
SSWP-4872 Whirlpool Tub 3-Panel Wall Kit

| Model | Part | Tub Area Designed To Fit | Ship Wt. Lb. | Ship FedEx | Carton Dims. In. | Cu. Ft. |
|-----------|-----------|--|-----------------|---------------|---------------------|---------|
| SSWP-4872 | SS04872WP | 48" D x 72" W (1219 mm x 1829 mm) (or smaller) | 214 | – | 75 x 62 x 3 | 6.64 |

Kit Includes: One flat back panel, two flat side panels, two corner moldings, two soap dishes and installation materials.

Packaging: Each kit is packed in a flat, rectangular carton.

ACCESSORIES

See pages 59-60 for complete listing of all wall accessories.

STANDARDS AND RATINGS

American Society of Testing and Materials (ASTM) E-84: Class A Flame Spread Rating

American National Standard Institute—ANSI Z124.6

International Association of Plumbing and Mechanical Officials (IAPMO)—Listed

cUPC listed—Certified to CSA Test Standard B45.5 by IAPMO

Uniform Plumbing Code (UPC)

For a complete list of tests and results see the Technical Data Sheet.

SUPPORT DOCUMENTS

 Installation instructions available at swanstone.com.

 **MADE IN USA**
COLORS

(See inside back cover for color sample.)

Solid Colors:

- White (010)
- Bone (037)
- Bisque (018)
- Bright White (137)
- Pearl (138)

Aggregate Colors:

- Acorn (123) 🍂
- Almond Galaxy (046)
- Arctic Granite (035)
- Baby's Breath (168)
- Barley (091)
- Bermuda Sand (040)
- Canyon (124) 🍂
- Caraway Seed (169)
- Cloud Bone (126)
- Cloud White (125)
- Cornflower (063)
- Glacier (121) 🍂

- Golden Steppe (128)
- Gray Granite (042)
- Ice (130)
- Indian Grass (071)
- Mountain Haze (129)
- Night Sky (012)
- Pebble (072)
- Prairie (122) 🍂
- Sierra (094)
- Tahiti Desert (050)
- Tahiti Gray (053)
- Tahiti Ivory (059)
- Tahiti Matrix (058)
- Tahiti Sand (051)
- Tahiti Terra (055)
- Tahiti White (011)
- Tundra (131)
- Winter Wheat (060)

MAINTENANCE AND CLEANING INFORMATION

 Clean regularly with common household liquid cleaners and rinse within five minutes of application. Occasional scrubbing with abrasive cleaners ensures that the original luster will be maintained. **Do not** use "leave on" cleaning products, such as automatic spray shower cleaners. Prolonged contact with harsh chemicals could have an adverse reaction over time and discolor surfaces. **Do not** use cleaning agents that caution use on acrylic, polyester or plastics.

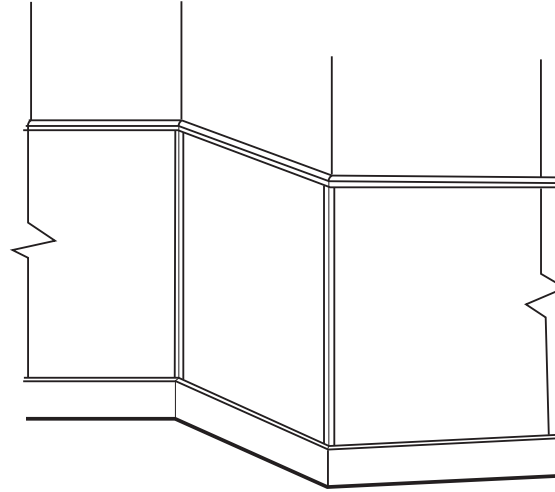
WARRANTY

 Limited Lifetime – Residential
 Limited 25-year – Commercial

Manufactured from Swanstone solid surface
 (See page 2 for detailed information.)

Recommended for high-use traffic areas and commercial surfaces.
FEATURES

- Swanstone protective wall coverings are perfect for commercial spaces and high-traffic, high-pressure areas like shipping rooms, hallways and elevator interiors.
- Reinforced solid surface means color and texture run all the way through and cannot wear away.
- Resistant to cracks, gouges and dings.
- Durable and easy to clean.
- Renewable surface which can be repaired if necessary.
- Compression molding means superior durability.


Wainscoting Panels
SPECIFICATIONS
Swanstone Wainscoting Panels

| Model | Part | Description | Carton Dims. In. |
|--------------|-------------|----------------------------------|------------------|
| SS-3696SK | SS03696SK | 36" H x 96" W Skidded Panels | – |
| SS-4896SK | SS04896SK | 48" H x 96" W Skidded Panels | – |
| SS-30145SK | SS30145SK | 30" H x 145" W Skidded Panels | – |
| DWP-9636WB-1 | DP09636WB01 | 36" H x 96" W Wainscot Beadboard | 98 x 38 x 4 |

Wainscoting Accessories

| Model | Part | Description | Colors |
|---------|--------|------------------------|--------------------------------------|
| ECPM-96 | ECPM96 | End Cap Molding | White (010), Bone (037), Black (085) |
| ICPM-96 | ICPM96 | Inside Corner Molding | White (010), Bone (037), Black (085) |
| OCPM-96 | OCPM96 | Outside Corner Molding | White (010), Bone (037), Black (085) |

Mixed colors and models permissible on all accessories.

Swanstone Decorative Panels: See page 52 for more design options.

NOTE: Solid colors are not recommended due to increased maintenance.
STANDARDS AND RATINGS

 American Society of Testing and Materials (ASTM) E-84: Class A Flame Spread Rating
 American National Standard Institute—ANSI Z124.6

 International Association of Plumbing and Mechanical Officials (IAPMO)—Listed
 cUPC listed—Certified to CSA Test Standard B45.5 by IAPMO
 Uniform Plumbing Code (UPC)

For a complete list of tests and results see the Technical Data Sheet.

SUPPORT DOCUMENTS

 Installation instructions available at swanstone.com.

 **MADE IN USA**
COLORS

(See inside back cover for color sample.)

Solid Colors:

- White (010)
- Bone (037)
- Bisque (018)
- Bright White (137)
- Pearl (138)

Aggregate Colors:

- Acorn (123) 🍂
- Almond Galaxy (046)
- Arctic Granite (035)
- Baby's Breath (168)
- Barley (091)
- Bermuda Sand (040)
- Canyon (124) 🍂
- Caraway Seed (169)
- Cloud Bone (126)
- Cloud White (125)
- Cornflower (063)
- Glacier (121) 🍂

- Golden Steppe (128)
- Gray Granite (042)
- Ice (130)
- Indian Grass (071)
- Mountain Haze (129)
- Night Sky (012)
- Pebble (072)
- Prairie (122) 🍂
- Sierra (094)
- Tahiti Desert (050)
- Tahiti Gray (053)
- Tahiti Ivory (059)
- Tahiti Matrix (058)
- Tahiti Sand (051)
- Tahiti Terra (055)
- Tahiti White (011)
- Tundra (131)
- Winter Wheat (060)

MAINTENANCE AND CLEANING INFORMATION

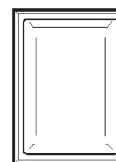
 Clean regularly with common household liquid cleaners and rinse within five minutes of application. Occasional scrubbing with abrasive cleaners ensures that the original luster will be maintained. **Do not** use "leave on" cleaning products, such as automatic spray shower cleaners. Prolonged contact with harsh chemicals could have an adverse reaction over time and discolor surfaces. **Do not** use cleaning agents that caution use on acrylic, polyester or plastics.

WARRANTY
 Limited Lifetime – Residential
 Limited 25-year – Commercial

WALL ACCESSORIES
AS-1075 Recessed Accessory Shelf

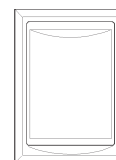
| Model | Part | Dimensions | Ship Wt. Lb. | Ship FedEx | Carton Dims. In. | Cu. Ft. |
|---------|---------|---------------------------------|--------------|------------|------------------|---------|
| AS-1075 | AS01075 | 10-3/4" H x 7-1/2" W x 4-1/8" D | 5 | FedEx | 14 x 10 x 6 | .49 |

Kit Includes: One recessed shelf and one tube of clear silicone. Installs vertically or horizontally between studs. Packed in individual cartons.


AS-1075
SS-7211 Corner Soap Dish

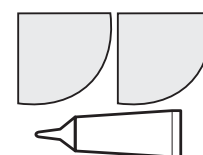
| Model | Part | Dimensions | Ship Wt. Lb. | Ship FedEx | Carton Dims. In. | Cu. Ft. |
|---------|---------|------------------|--------------|------------|------------------|---------|
| SS-7211 | SS07211 | 5-3/4" W x 11" H | 5 | FedEx | 14 x 11 x 7 | .62 |

Kit Includes: One molded soap dish, one tube of clear silicone and one tube of color coordinated silicone. Installs in corner only. Packed in individual cartons.


SS-7211
ES-2 Corner Soap Dish

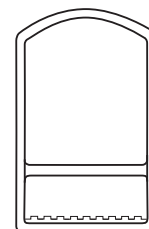
| Model | Part | Dimensions | Ship Wt. Lb. | Ship FedEx | Carton Dims. In. | Cu. Ft. |
|-------|---------|---------------------|--------------|------------|------------------|---------|
| ES-2 | ES20000 | 4-3/4" D x 4-3/4" W | 2 | FedEx | 13 x 7 x 4 | .21 |

Kit Includes: Two soap dishes plus one tube of silicone. Installs in corner only. Packed in individual cartons. See corner molding, page 90.


ES-2
RS-2215 Recessed Shampoo Shelf

| Model | Part | Dimensions | Ship Wt. Lb. | Ship FedEx | Carton Dims. In. | Cu. Ft. |
|---------|---------|---------------------------|--------------|------------|------------------|---------|
| RS-2215 | RS02215 | 22" H x 15" W x 4-5/16" D | 12 | FedEx | 27 x 20 x 7 | 2.19 |

Kit Includes: One recessed shampoo shelf and one tube of silicone. Installs vertically between studs. Packed in individual cartons.

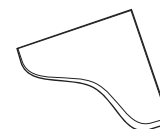

RS-2215
CCSS-1125 Crystal Colors Soap Shelf

| Model | Part | Dimensions | Ship Wt. Lb. | Ship FedEx | Carton Dims. In. | Cu. Ft. |
|-----------|----------|-----------------------|--------------|------------|------------------|---------|
| CCSS-1125 | CCSS1125 | 11-1/4" D x 11-1/4" W | 3 | FedEx | 12 X 12 X 1.5 | .13 |

Only available in Crystal Colors

Packaging: All above items are packed in individual cartons.

See back cover for complete listing of colors available for each accessory.


**Soap Shelf
 CCSS-1125**
CS-1616 Corner Shower Seat

| Model | Part | Dimensions | Ship Wt. Lb. | Ship FedEx | Carton Dims. In. | Cu. Ft. |
|---------|---------|--------------------------------|--------------|------------|------------------|---------|
| CS-1616 | CS01616 | 16-5/16" D x 16-5/16" W x 4" H | 20 | FedEx | 22 x 22 x 5 | 1.40 |

Kit Includes: One Swanstone shower seat, one stainless steel mounting bracket, six lag bolts and washers, and one tube of adhesive. Packed in individual cartons.

See inside back cover for complete listing of colors available for each accessory.


CS-1616

capacity 300 lbs.

WARRANTY
 Limited Lifetime – Residential
 Limited 25-year – Commercial

WALL ACCESSORIES
DSP-2 Tub Wall Soap Dish Panel

| Model | Part | Dimensions | Ship Wt. Lb. | Ship FedEx | Carton Dims. In. | Cu. Ft. |
|-------|-----------|------------------|--------------|------------|------------------|---------|
| DSP-2 | SS60000SD | 6-1/2" W x 60" H | 9 | FedEx | 61 x 8 x 5 | |

1.42Kit Includes: One 6-1/2" x 60" panel with two molded-in soap and bottle shelves, and complete installation instructions.

Swanstone Wall Panel Trim Kits

| Model | Part | Dimensions | Ship Wt. Lb. | Ship FedEx | Carton Dims. In. | Cu. Ft. |
|-----------|-----------|------------|--------------|------------|------------------|---------|
| TK-6072 | TK06072 | – | 23 | FedEx | 76 x 10 x 3 | 1.32 |
| TK-105 | TK00105 | – | 32 | – | 107 x 10 x 3 | 1.86 |
| TK-105-TP | TK00105TP | – | 10 | – | 107 x 10 x 3 | 1.86 |

TK-6072 accommodates Swanstone 60" or 72" high bathtub and shower wall panel systems.

Kit Includes: Four 3-7/8" x 74" trim strips, two 1-1/4" x 1/2" x 72" corner moldings, one tube of adhesive, one tube of caulk and installation instructions.

TK-105 accommodates Swanstone 96" high shower wall panel system.

Kit Includes: Two 3-7/8" x 105" trim strips, two 3-7/8" x 74" trim strips, two 1-1/4" x 1/2" x 96" corner moldings, one tube of adhesive, one tube of caulk and installation instructions.

TK-105-TP: Single trim piece

Kit includes: One 3-7/8" x 105" trim piece. Can be cut to use with 72" walls.

Swanstone Corner Moldings (set of 2)

| Model | Part | Dimensions | Ship Wt. Lb. | Ship FedEx | Carton Dims. In. | Cu. Ft. |
|---------|---------|---------------------------|--------------|------------|------------------|---------|
| CM-2072 | CM00072 | 1/2" D x 1-1/4" W x 72" H | 4 | FedEx | 73 x 2 x 2 | .17 |
| CM-2096 | CM00096 | 1/2" D x 1-1/4" W x 96" H | 6 | FedEx | 97 x 2 x 2 | .22 |

TK-0372 Batten Strip

| Model | Part | Dimensions | Ship Wt. Lb. | Ship FedEx | Carton Dims. In. | Cu. Ft. |
|---------|---------|---------------------------|--------------|------------|------------------|---------|
| TK-0372 | TK00372 | 1/4" D x 3-3/4" W x 72" H | 5 | FedEx | 73 x 4 x 1 | .17 |

Kit Includes: One 3-3/4" x 72" flat batten strip

SSWTK-1 Swanstone Window Trim Kit

| Model | Part | Dimensions | Ship Wt. Lb. | Ship FedEx | Carton Dims. In. | Cu. Ft. |
|------------------|---------|------------|--------------|------------|------------------|---------|
| SSWTK-1 (single) | TK03610 | – | 30 | FedEx | 37 x 12 x 4 | 1.03 |

Designed for window sill applications up to 36" wide and 10" deep.

Kit Includes: One horizontal Swanstone sill panel, two vertical Swanstone jamb panels and installation materials.

Packaging: Packed in individual cartons, both singly* and with a master carton (6 pack).

SS-29 and SS-72 Installation Kits

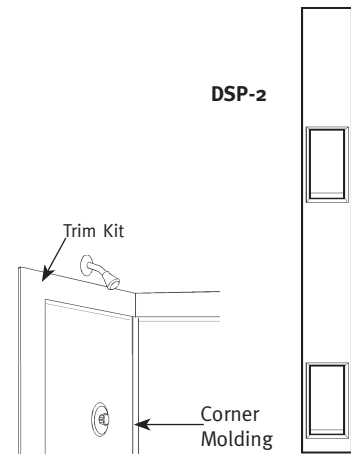
| Model | Part | Dimensions | Ship Wt. Lb. | Ship FedEx | Carton Dims. In. | Cu. Ft. |
|---------|---------|------------|--------------|------------|------------------|---------|
| SS-29* | SS29000 | – | 6 | FedEx | 12 x 7 x 7 | .34 |
| SS-72** | SS72000 | – | 2 | FedEx | 14 x 7 x 4 | .23 |

*Kit Includes: Four tubes of clear silicone and one tube of color-coordinated silicone to mount wall panels.

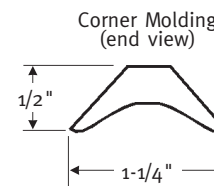
One kit per tub wall panel system. Packed in individual cartons.

**Kit Includes: One tube of clear silicone and one tube of color-coordinated silicone to attach single panel to any properly prepared surface. For multiple panel applications, more than one kit will be required. One kit per panel.

Packed in individual cartons.

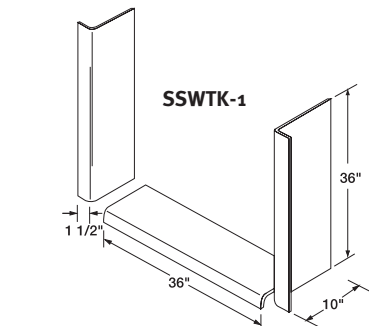


TK-6072
TK-105



CM2072
CM2096

Batten Strip
TK0372



SS-29



SS-72

WARRANTY

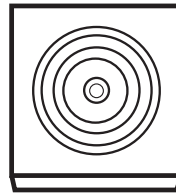
Limited Lifetime – Residential
Limited 25-year – Commercial

Manufactured from Swanstone solid surface
(See page 2 for detailed information.)

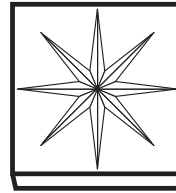
Recommended for high-use traffic areas and commercial surfaces.

FEATURES

- Gorgeous traditional American molding made from solid surface.
- Reversible—both molding and rosettes are two-sided (each side has one design).
- Finish Swanstone Tub and Shower Walls with decorative molding.
- Also makes beautiful casing around doors, windows and mirrors.
- Coordinates with Swanstone Vanity Tops.



Circles



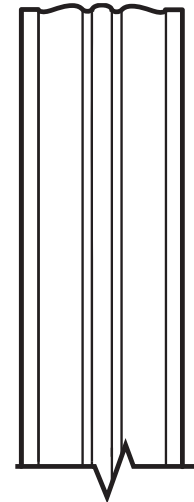
Star

Rosettes

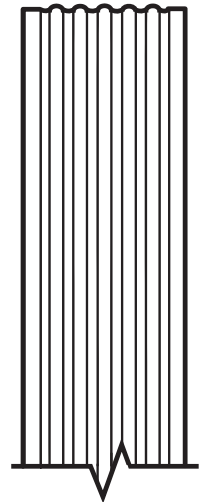
4" wide x 4" high x 5/8" deep
(102 mm x 102 mm x 16mm)

Molding

3-3/4" wide x 105" high x 9/16" deep
(83 mm x 2667 mm x 14 mm)



Butterfly



Fluted

SPECIFICATIONS

Molding and Rosette Kits

| Model | Part | Description | Ship Wt. Lb. | Ship FedEx | Carton Dims. In. | Cu. Ft. |
|-----------|-----------|---------------------------------|--------------|------------|------------------|---------|
| TC-6072TR | TC06072TR | 3 Molding Pieces & 4 Rosettes | 32 | – | 107 x 10 x 3 | 1.86 |
| TC-105TR | TC00105TR | 4 Molding Pieces & 4 Rosettes | 40 | – | 107 x 10 x 3 | 1.86 |
| TC-4105TR | TC04105 | 3-3/4" W x 105" H Molding Piece | 10 | – | 107 x 10 x 3 | 1.86 |
| TC-0404TR | TC00404 | 2 (4" W x 4" H) Rosettes | 5 | FedEx | 14 x 7 x 4 | 0.23 |

TC-6072TR accommodates Swanstone 60" and 72" high bathtub and shower wall panel systems.

Kit Includes: Three 3-3/4" x 105" moldings, four 4" x 4" rosettes and installation materials.

TC-105TR accommodates Swanstone 96" high shower wall panel systems.

Kit Includes: Four 3-3/4" x 105" moldings, four 4" x 4" rosettes and installation materials.

Packaging: Each kit is packed in an individual carton.

STANDARDS AND RATINGS

American Society of Testing and Materials (ASTM) E-84: Class A Flame Spread Rating

American National Standard Institute—ANSI Z124.6

International Association of Plumbing and Mechanical Officials (IAPMO)—Listed

cUPC listed—Certified to CSA Test Standard B45.5 by IAPMO

Uniform Plumbing Code (UPC)

For a complete list of tests and results see the Technical Data Sheet.

SUPPORT DOCUMENTS

Installation instructions available at swanstone.com.

 **MADE IN USA**




COLORS

(See inside back cover for color sample.)

Solid Colors:

- White (010)
- Bone (037)
- Bisque (018)
- Bright White (137)
- Pearl (138)

Aggregate Colors:

- Acorn (123) 
- Almond Galaxy (046)
- Arctic Granite (035)
- Baby's Breath (168)
- Barley (091)
- Bermuda Sand (040)
- Canyon (124) 
- Caraway Seed (169)
- Cloud Bone (126)
- Cloud White (125)
- Cornflower (063)
- Glacier (121) 

- Golden Steppe (128)
- Gray Granite (042)
- Ice (130)
- Indian Grass (071)
- Mountain Haze (129)
- Night Sky (012)
- Pebble (072)
- Prairie (122) 
- Sierra (094)
- Tahiti Desert (050)
- Tahiti Gray (053)
- Tahiti Ivory (059)
- Tahiti Matrix (058)
- Tahiti Sand (051)
- Tahiti Terra (055)
- Tahiti White (011)
- Tundra (131)
- Winter Wheat (060)

MAINTENANCE AND CLEANING INFORMATION

Clean regularly with common household liquid cleaners and rinse within five minutes of application. Occasional scrubbing with abrasive cleaners ensures that the original luster will be maintained. **Do not** use "leave on" cleaning products, such as automatic spray shower cleaners. Prolonged contact with harsh chemicals could have an adverse reaction over time and discolor surfaces.

Do not use cleaning agents that caution use on acrylic, polyester or plastics.



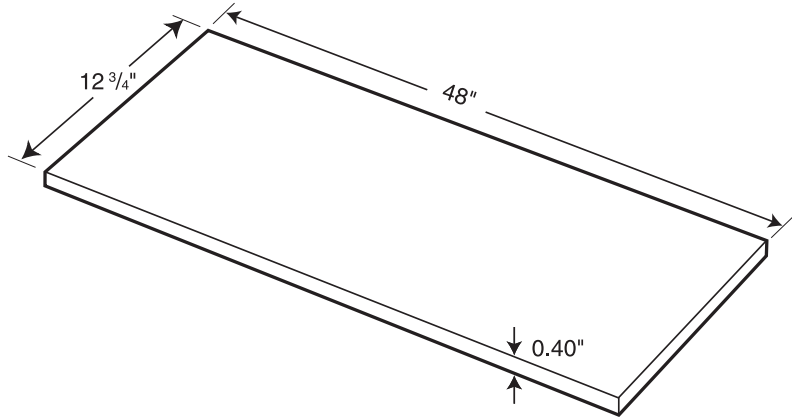
WARRANTY
Limited Lifetime – Residential
Limited 25-year – Commercial

Manufactured from Swanstone solid surface
(See page 2 for detailed information.)

Recommended for high-use traffic areas and commercial surfaces.

FEATURES

- Finished edges on both sides for installing either right or left side.
• 48-inch width fits a variety of shower sizes.
• Seat is two times thicker than wall panels.
• Reinforced solid surface means color and texture run all the way through and cannot wear away.
• Will not mold or mildew, no grout to clean.
• Compression molding means superior durability.



SPECIFICATIONS

SB-1248 Shower Bench Seat Top

Table with 7 columns: Model, Part, Nominal Dimensions, Ship Wt. Lb., Ship FedEx, Carton Dims. In., Cu. Ft. Row 1: SB-1248, SB01248, 12-3/4" x 48" (324 mm x 1219 mm), 16, FedEx, 51 x 14 x 1.5, .65

Includes: One 12" x 48" shower bench seat
Packaging: Each kit is packed in an individual carton.

STANDARDS AND RATINGS

American Society of Testing and Materials (ASTM) E-84: Class A Flame Spread Rating
American National Standard Institute—ANSI Z124.6
International Association of Plumbing and Mechanical Officials (IAPMO)—Listed
cUPC listed—Certified to CSA Test Standard B45.5 by IAPMO
Uniform Plumbing Code (UPC)

For a complete list of tests and results see the Technical Data Sheet.

SUPPORT DOCUMENTS

Installation instructions available at swanstone.com.

MADE IN USA

COLORS

(See inside back cover for color sample.)

- Solid Colors: White (010), Bone (037), Bisque (018), Bright White (137), Pearl (138), Golden Steppe (128), Gray Granite (042), Ice (130), Indian Grass (071), Mountain Haze (129), Night Sky (012), Pebble (072), Prairie (122), Sierra (094), Tahiti Desert (050), Tahiti Gray (053), Tahiti Ivory (059), Tahiti Matrix (058), Tahiti Sand (051), Tahiti Terra (055), Tahiti White (011), Tundra (131), Winter Wheat (060)
Aggregate Colors: Acorn (123), Almond Galaxy (046), Arctic Granite (035), Baby's Breath (168), Barley (091), Bermuda Sand (040), Canyon (124), Caraway Seed (169), Cloud Bone (126), Cloud White (125), Cornflower (063), Glacier (121)

MAINTENANCE AND CLEANING INFORMATION

Clean regularly with common household liquid cleaners and rinse within five minutes of application. Occasional scrubbing with abrasive cleaners ensures that the original luster will be maintained. Do not use "leave on" cleaning products, such as automatic spray shower cleaners. Prolonged contact with harsh chemicals could have an adverse reaction over time and discolor surfaces. Do not use cleaning agents that caution use on acrylic, polyester or plastics.



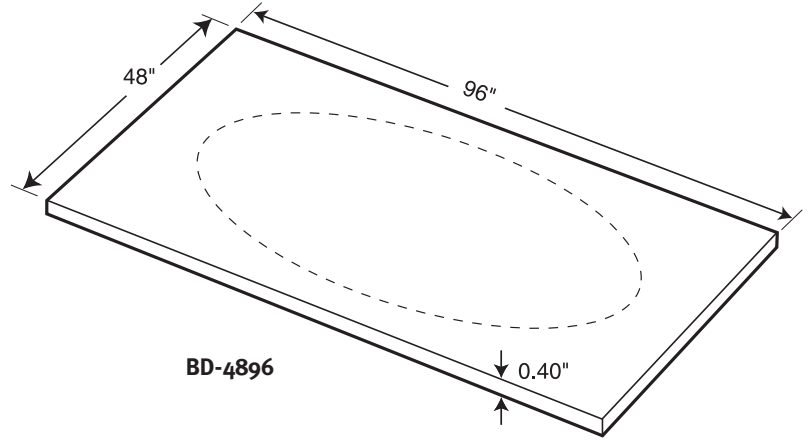
Manufactured from Swanstone solid surface
(See page 2 for detailed information.)

WARRANTY
Limited Lifetime – Residential
Limited 25-year – Commercial

Recommended for high-use traffic areas and commercial surfaces.

FEATURES

- Fits most whirlpool-style drop-in tubs.
• Deck is two times thicker than wall panels.
• All four sides are finished.
• Reinforced solid surface means color and texture run all the way through and cannot wear away.
• Will not mold or mildew, no grout to clean.
• Compression molding means superior durability.



SPECIFICATIONS

BD-4896 Bathtub Deck

Table with 7 columns: Model, Part, Ship Dimensions, Ship Wt. Lb., Carton FedEx, Dims. In., Cu. Ft. Row 1: BD-4896, BDo4896, 48"D x 96"W (1219 mm x 2438 mm), 210, -, 102 x 56 x 4, 12.70

Includes: One 48" x 96" bathtub deck.
Packaging: Each kit is packed in an individual carton.

STANDARDS AND RATINGS

American Society of Testing and Materials (ASTM) E-84: Class A Flame Spread Rating
American National Standard Institute—ANSI Z124.6
International Association of Plumbing and Mechanical Officials (IAPMO)—Listed
cUPC listed—Certified to CSA Test Standard B45.5 by IAPMO
Uniform Plumbing Code (UPC)

For a complete list of tests and results see the Technical Data Sheet.

SUPPORT DOCUMENTS

Installation instructions available at swanstone.com.

MADE IN USA

COLORS

(See inside back cover for color sample.)

Solid Colors:

- White (010)
• Bone (037)
• Bisque (018)
• Bright White (137)
• Pearl (138)

Aggregate Colors:

- Acorn (123)
• Almond Galaxy (046)
• Arctic Granite (035)
• Baby's Breath (168)
• Barley (091)
• Bermuda Sand (040)
• Canyon (124)
• Caraway Seed (169)
• Cloud Bone (126)
• Cloud White (125)
• Cornflower (063)
• Glacier (121)

- Golden Steppe (128)
• Gray Granite (042)
• Ice (130)
• Indian Grass (071)
• Mountain Haze (129)
• Night Sky (012)
• Pebble (072)
• Prairie (122)
• Sierra (094)
• Tahiti Desert (050)
• Tahiti Gray (053)
• Tahiti Ivory (059)
• Tahiti Matrix (058)
• Tahiti Sand (051)
• Tahiti Terra (055)
• Tahiti White (011)
• Tundra (131)
• Winter Wheat (060)

MAINTENANCE AND CLEANING INFORMATION

Clean regularly with common household liquid cleaners and rinse within five minutes of application. Occasional scrubbing with abrasive cleaners ensures that the original luster will be maintained. Do not use "leave on" cleaning products, such as automatic spray shower cleaners. Prolonged contact with harsh chemicals could have an adverse reaction over time and discolor surfaces. Do not use cleaning agents that caution use on acrylic, polyester or plastics.

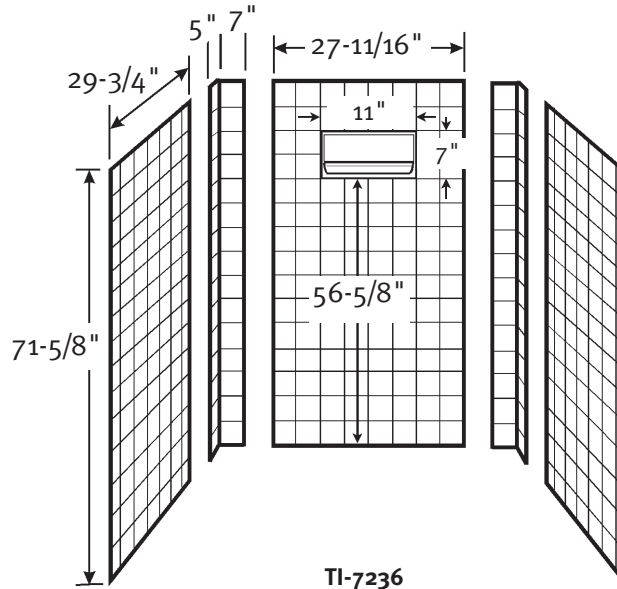


Manufactured from Veritek®
(See page 2 for detailed information.)

WARRANTY
Limited Lifetime – Residential
Limited 5-year – Commercial

FEATURES

- Compression molded Veritek® is a composite material with no surface coating to chip or crack.
- For use with Swanstone, Veritek® and other standard shower floors.
- Glue-up five piece shower wall panel system.



TI-7236
Designed to fit wall areas
31" – 36" deep x 29-1/4" – 39-3/4" wide x 71-5/8" high
(787 mm – 914 mm x 743 mm – 1010 mm x 1819)

SPECIFICATIONS

TI-7236 SwanTile™ Shower Wall Kit

| Model | Part | Wall Area Designed To Fit | Ship Wt. Lb. | Ship FedEx | Carton Dims. In. | Cu. Ft. |
|---------|---------|--|--------------|------------|------------------|---------|
| TI-7236 | TI07236 | 31" – 36" D x 29-1/4" – 39-3/4" W x 71-5/8" H (787 mm – 914 mm x 743 mm – 1010 mm x 1819 mm) | 73 | - | 73 x 32 x 6 | 8.12 |

Kit Includes: One back panel with molded-in soap dish, two corner panels, two side panels and installation materials.

Packaging: Each kit is packed in a flat, rectangular carton.

COLORS

(See inside back cover for color sample.)

- White (010)
- Bone (037)
- Bisque (018)
- Bright White (137)
- Pearl (138)

SUPPORT DOCUMENTS

Installation instructions available at swanstone.com.

MADE IN USA

MAINTENANCE AND CLEANING INFORMATION

Clean regularly with common household liquid cleaners and a sponge or soft cloth. For hard water stains, scale removers can be used. To protect finish, fiberglass wax or automotive paste wax can be applied. **Do not** use abrasive cleaners or scouring pads. Do not use "leave on" cleaning products, such as automatic spray shower cleaners. Prolonged contact with harsh chemicals could have an adverse reaction over time and discolor surfaces. **Do not** use cleaning agents that caution use on acrylic, polyester or plastics.

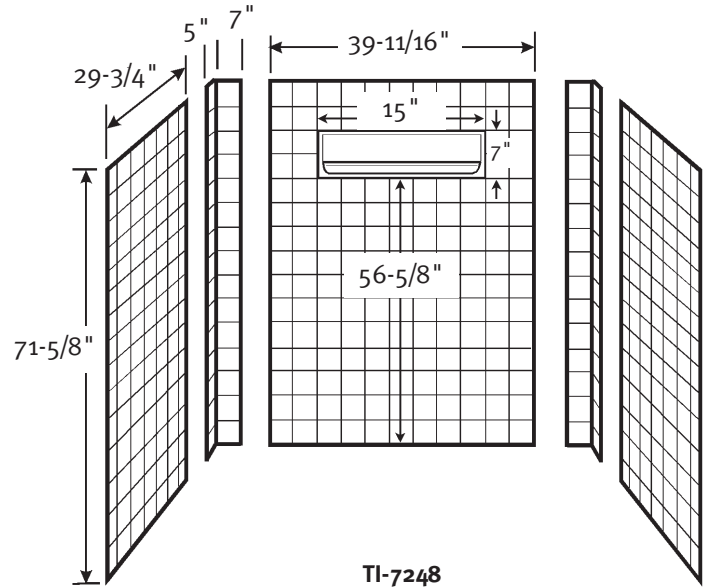


Manufactured from Veritek®
(see page 2 for detailed information)

WARRANTY
Limited Lifetime – Residential
Limited 5-year – Commercial

FEATURES

- Elegant look of ceramic tile with no grout to clean.
- Compression molded Veritek® is a composite material with no surface coating to chip or crack.
- For use with Swanstone, Veritek® and other standard shower floors.
- Glue-up five piece shower wall panel system.



TI-7248
Designed to fit wall areas
31" – 36" deep x 41-1/4" – 51-3/4" wide x 71-5/8" high
(787 mm – 914 mm x 1043 mm – 1314 mm x 1819)

SPECIFICATIONS

TI-7248 SwanTile™ Shower Wall Kit

| Model | Part | Wall Area Designed To Fit | Ship Wt. Lb. | Ship FedEx | Carton Dims. In. | Cu. Ft. |
|---------|---------|---|-----------------|---------------|---------------------|---------|
| TI-7248 | Tl07248 | 31" – 36" D x 41-1/4" – 51-3/4" W x 71-5/8" H (787 mm – 914 mm x 1043 mm – 1314 mm x 1819 mm) | 85 | – | 74 x 43 x 8 | 14.74 |

Kit Includes: One back panel with molded-in soap dish, two corner panels, two side panels and installation materials.

Packaging: Each kit is packed in a flat, rectangular carton.

COLORS

(See inside back cover for color sample.)

- White (010)
- Bone (037)
- Bisque (018)
- Bright White (137)
- Pearl (138)

SUPPORT DOCUMENTS

Installation instructions available at swanstone.com.

MADE IN USA

MAINTENANCE AND CLEANING INFORMATION

Clean regularly with common household liquid cleaners and a sponge or soft cloth. For hard water stains, scale removers can be used. To protect finish, fiberglass wax or automotive paste wax can be applied. **Do not** use abrasive cleaners or scouring pads. Do not use “leave on” cleaning products, such as automatic spray shower cleaners. Prolonged contact with harsh chemicals could have an adverse reaction over time and discolor surfaces. **Do not** use cleaning agents that caution use on acrylic, polyester or plastics.

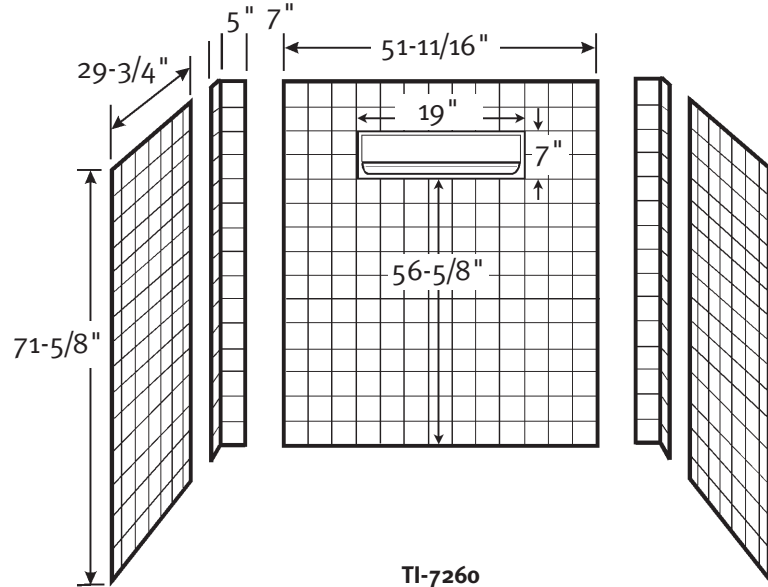


Manufactured from Veritek®
(See page 2 for detailed information.)

WARRANTY
Limited Lifetime – Residential
Limited 5-year – Commercial

FEATURES

- Compression molded Veritek® is a composite material with no surface coating to chip or crack.
- For use with Swanstone, Veritek® and other standard shower floors.
- Glue-up five piece shower wall panel system.



TI-7260
Designed to fit wall areas
31" – 36" deep x 53-1/4" – 64-3/4" wide x 71-5/8" high
(787 mm – 914 mm x 1314 mm – 1645 mm x 1819 mm)

SPECIFICATIONS

TI-7260 SwanTile™ Shower Wall Kit

| Model | Part | Wall Area Designed To Fit | Ship Wt. Lb. | Ship FedEx | Carton Dims. In. | Cu. Ft. |
|---------|---------|---|--------------|------------|------------------|---------|
| TI-7260 | TI07260 | 31" – 36" D x 53-1/4" – 64-3/4" W x 71-5/8" H (787 mm – 914 mm x 1314 mm – 1645 mm x 1819 mm) | 95 | – | 73 x 55 x 6 | 13.94 |

Kit Includes: One back panel with molded-in soap dish, two corner panels, two side panels and installation materials.

Packaging: Each kit is packed in a flat, rectangular carton.

COLORS

(See inside back cover for color sample.)

- White (010)
- Bone (037)
- Bisque (018)
- Bright White (137)
- Pearl (138)

MAINTENANCE AND CLEANING INFORMATION

CClean regularly with common household liquid cleaners and a sponge or soft cloth. For hard water stains, scale removers can be used. To protect finish, fiberglass wax or automotive paste wax can be applied. **Do not** use abrasive cleaners or scouring pads. Do not use “leave on” cleaning products, such as automatic spray shower cleaners. Prolonged contact with harsh chemicals could have an adverse reaction over time and discolor surfaces. **Do not** use cleaning agents that caution use on acrylic, polyester or plastics.

SUPPORT DOCUMENTS

Installation instructions available at swanstone.com.

MADE IN USA

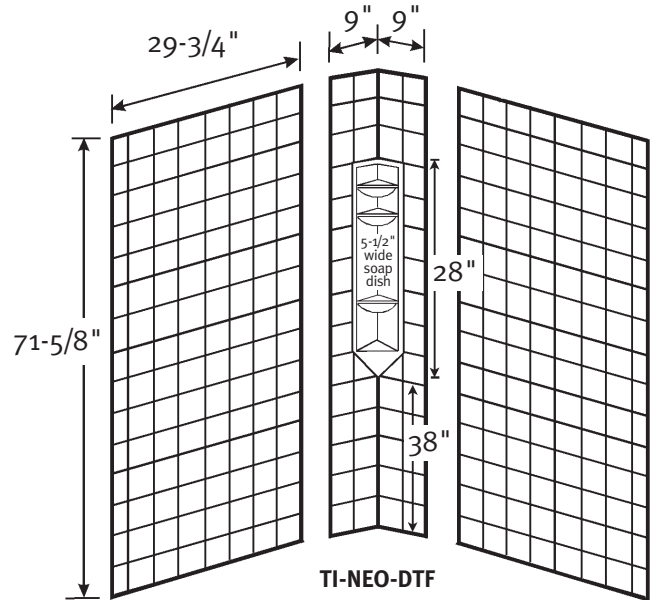


Manufactured from Veritek®
(See page 2 for detailed information.)

WARRANTY
Limited Lifetime – Residential
Limited 5-year – Commercial

FEATURES

- Compression molded Veritek® is a composite material with no surface coating to chip or crack.
- For use with Swanstone, Veritek® and other standard shower floors.
- Glue-up three piece shower wall panel system.



TI-NEO-DTF

Designed to fit wall areas
36"-38"D to 36"-38"W x 71-5/8" high
(914 mm x 914 mm to 965 mm x 965 mm x 1819 mm)

SPECIFICATIONS

TI-NEO-DTF SwanTile™ Shower Wall Kit

| Model | Part | Wall Area Designed To Fit | Ship Wt. Lb. | Ship FedEx | Carton Dims. In. | Cu. Ft. |
|------------|-----------|--|-----------------|---------------|---------------------|---------|
| TI-NEO-DTF | NE00000TI | 36"-38" D to 36"-38"W x 71-5/8" H (914 mm x 914 mm to 965 mm x 965 mm x 1819 mm) | 57 | - | 73 x 32 x 8 | 10.82 |

Kit Includes: One back panel with molded-in shelves, two side panels, two apron strips and installation materials.

Packaging: Each kit is packed in a flat, rectangular carton.

COLORS

(See inside back cover for color sample.)

- White (010)
- Bone (037)
- Bisque (018)
- Bright White (137)
- Pearl (138)

SUPPORT DOCUMENTS

Installation instructions available at swanstone.com.

MADE IN USA

MAINTENANCE AND CLEANING INFORMATION

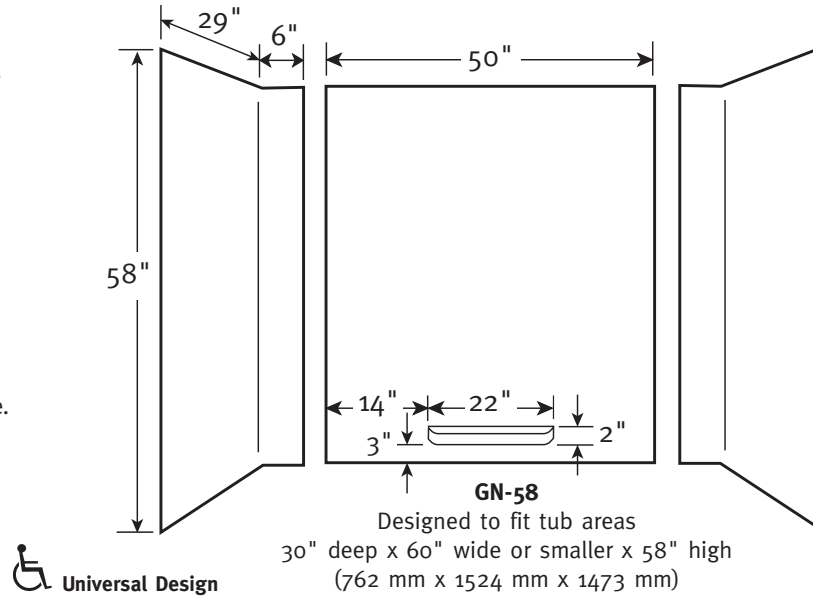
Clean regularly with common household liquid cleaners and a sponge or soft cloth. For hard water stains, scale removers can be used. To protect finish, fiberglass wax or automotive paste wax can be applied. **Do not** use abrasive cleaners or scouring pads. Do not use "leave on" cleaning products, such as automatic spray shower cleaners. Prolonged contact with harsh chemicals could have an adverse reaction over time and discolor surfaces. **Do not** use cleaning agents that caution use on acrylic, polyester or plastics.

Manufactured from Veritek®
(See page 2 for detailed information.)

WARRANTY
Limited Lifetime – Residential
Limited 5-year – Commercial

FEATURES

- Will not mold or mildew, no grout to clean.
- Ideal for both remodeling projects and new construction.
- Meets ADA guidelines for soap dish height and grab bar installation.
- Affordable wall system made of Veritek® with no surface coating to chip or crack—color runs throughout.
- The **GN-58** is a glue-up three piece compression-molded composite with molded-in color and a natural gloss surface.



SPECIFICATIONS

GN-58 Veritek® 3-Panel Tub Wall Kit

| Model | Part | Tub Area Designed To Fit | Ship Wt. Lb. | Ship FedEx | Carton Dims. In. | Cu. Ft. |
|-------|---------|---|-----------------|---------------|---------------------|---------|
| GN-58 | GN58000 | 30" D x 60" W* x 58" H (*or smaller) (762 mm x 1524 mm x 1473 mm) | 57 | – | 61 x 61 x 6 | 12.92 |

Kit Includes: One back panel with molded-in soap dish, two end panels and installation materials.

Packaging: Each kit is packed in a flat, rectangular carton.

COLORS

(See inside back cover for color sample.)

Solid Colors:

- White (010)
- Bone (037)
- Bisque (018)
- Bright White (137)
- Pearl (138)

Aggregate Colors:

- Bermuda Sand (040)
- Cloud Bone (126)
- Cloud White (125)
- Gray Granite (042)
- Tahiti Desert (050)

MAINTENANCE AND CLEANING INFORMATION

Clean regularly with common household liquid cleaners and a sponge or soft cloth. For hard water stains, scale removers can be used. To protect finish, fiberglass wax or automotive paste wax can be applied. **Do not** use abrasive cleaners or scouring pads. **Do not** use “leave on” cleaning products, such as automatic spray shower cleaners. Prolonged contact with harsh chemicals could have an adverse reaction over time and discolor surfaces. **Do not** use cleaning agents that caution use on acrylic, polyester or plastics.

SUPPORT DOCUMENTS

Installation instructions available at swanstone.com.

 **MADE IN USA**

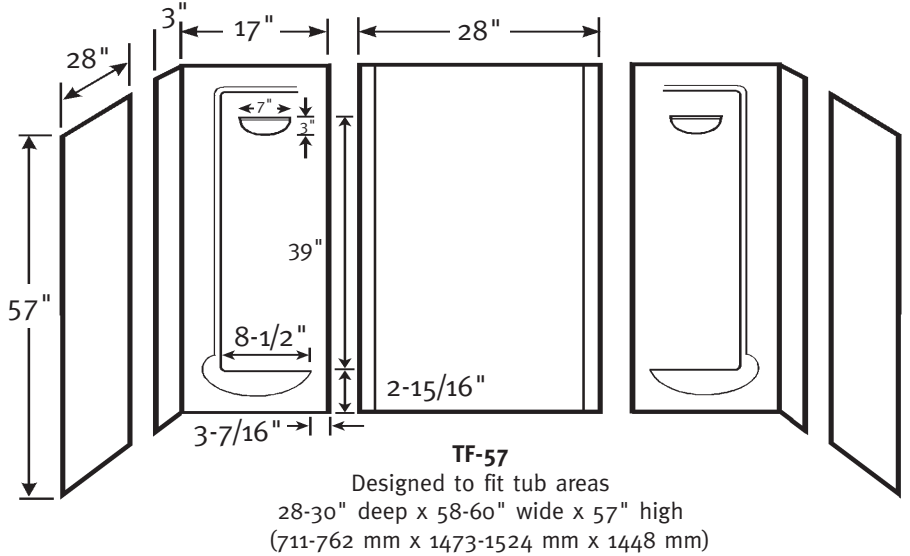


Manufactured from Veritek®
(See page 2 for detailed information.)

WARRANTY
Limited Lifetime – Residential
Limited 5-year – Commercial

FEATURES

- Will not mold or mildew, no grout to clean.
- Ideal for both remodeling projects and new construction.
- Affordable wall system made of Veritek® with no surface coating to chip or crack—color runs throughout.
- The TF-57 is a glue-up five piece unit with a softly textured surface.



SPECIFICATIONS

TF-57 Veritek® 5-Panel Tub Wall Kit

| Model | Part | Tub Area Designed To Fit | Ship Wt. Lb. | Ship FedEx | Carton Dims. In. | Cu. Ft. |
|-------|---------|--|--------------|------------|------------------|---------|
| TF-57 | TF57000 | 28-30" D x 58-60" W x 57" H (711-762 mm x 1473-1524 mm x 1448 mm) | 58 | - | 60 x 31 x 5 | 5.39 |

Kit Includes: One back panel, two corner panels with four molded-in shampoo shelves and soap dishes, two side panels and installation materials.

Packaging: Each kit is packed in a flat, rectangular carton.

COLORS

(See inside back cover for color sample.)

- White (010)
- Bone (037)
- Bisque (018)
- Bright White (137)
- Pearl (138)

MAINTENANCE AND CLEANING INFORMATION

Clean regularly with common household liquid cleaners and a sponge or soft cloth. For hard water stains, scale removers can be used. To protect finish, fiberglass wax or automotive paste wax can be applied. **Do not** use abrasive cleaners or scouring pads. **Do not** use "leave on" cleaning products, such as automatic spray shower cleaners. Prolonged contact with harsh chemicals could have an adverse reaction over time and discolor surfaces. **Do not** use cleaning agents that caution use on acrylic, polyester or plastics.

SUPPORT DOCUMENTS

Installation instructions available at swanstone.com.

MADE IN USA



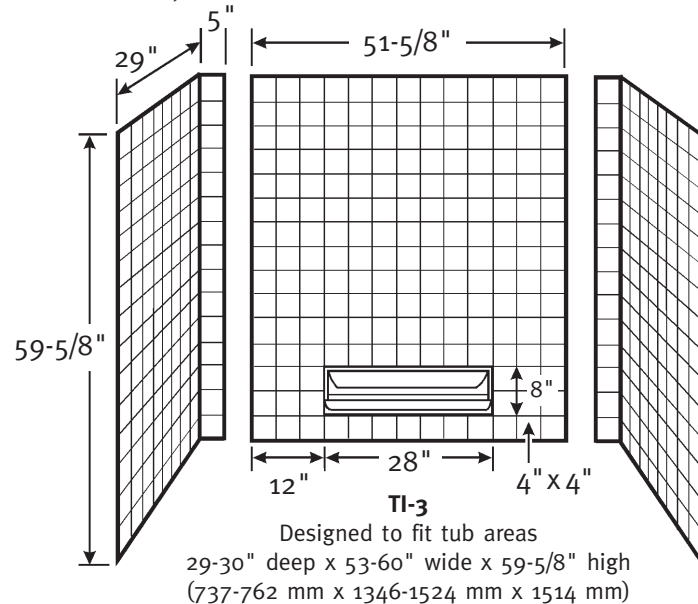
TI-3 3-Panel Tub Wall Kit and TI-33 Extension Kit SWANTILE™ TUB WALLS

Manufactured from Veritek®
(See page 2 for detailed information.)

WARRANTY
Limited Lifetime – Residential
Limited 5-year – Commercial

FEATURES

- Has the real tile look, no grout to clean.
- Made of Veritek® with no surface coating to chip or crack—color runs throughout.
- Molded-in soap dish and storage shelf.
- The **TI-3** is a glue-up three piece compression-molded unit with molded-in color.
- Patented design keeps shower head spray from aiming at seams.



SPECIFICATIONS

TI-3 3-Panel Tub Wall Kit & TI-33 Extension Kit

| Model | Part | Tub Area Designed To Fit | Ship Wt. Lb. | Ship FedEx | Carton Dims. In. | Cu. Ft. |
|-------|---------|--|--------------|------------|------------------|---------|
| TI-3 | TI30000 | 29-30" D x 53-60" W x 59-5/8" H (737-762 mm x 1346-1524 mm x 1514 mm) | 67 | - | 65 x 57 x 6 | 12.87 |
| TI-33 | TI33000 | Extends to 83-5/8" H (2124 mm) | 26 | FedEx | 54 x 25 x 6 | 4.69 |

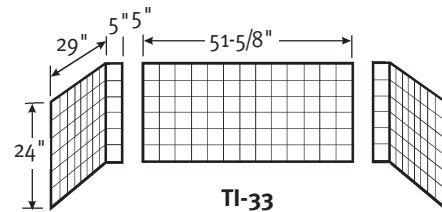
TI-3 Kit Includes: One back panel with molded-in soap dish, two end panels and installation materials.

TI-33 Kit Includes: One back panel, two end panels and installation materials.
Packaging: Each kit is packed in a flat, rectangular carton.

COLORS

(See inside back cover for color sample.)

- White (010)
- Bone (037)
- Bisque (018)
- Bright White (137)
- Pearl (138)



The optional **TI-33** 3-Panel Extension Kit with molded-in color, extends the 59-5/8-inch height of the **TI-3** SwanTile™ walls to an additional 24-inch for a total of 83-5/8-inches above the bathtub edge. Panels can be cut to fit lower ceilings.

MAINTENANCE AND CLEANING INFORMATION

Clean regularly with common household liquid cleaners and a sponge or soft cloth. For hard water stains, scale removers can be used. To protect finish, fiberglass wax or automotive paste wax can be applied. **Do not** use abrasive cleaners or scouring pads. **Do not** use “leave on” cleaning products, such as automatic spray shower cleaners. Prolonged contact with harsh chemicals could have an adverse reaction over time and discolor surfaces. **Do not** use cleaning agents that caution use on acrylic, polyester or plastics.

SUPPORT DOCUMENTS

Installation instructions available at swanstone.com.

MADE IN USA

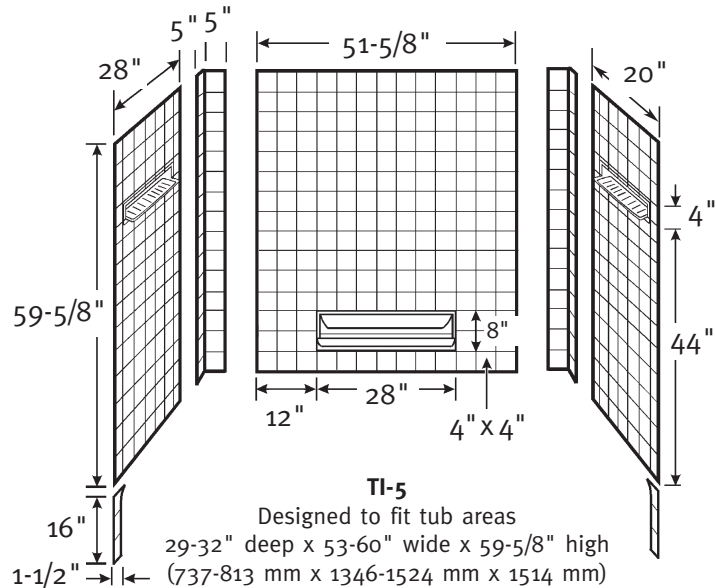


WARRANTY
 Limited Lifetime – Residential
 Limited 5-year – Commercial

Manufactured from Veritek®
 (See page 2 for detailed information.)

FEATURES

- Has the real tile look, no grout to clean.
- Will not mold or mildew.
- Ideal for both remodeling projects and new construction.
- Made of Veritek® with no surface coating to chip or crack—color runs throughout.
- Built-in shelves for storage of toiletries on all three walls.
- The **TI-5** is a glue-up seven piece compression-molded unit with molded-in color.
- Patented design keeps shower head spray from aiming at seams.



SPECIFICATIONS

TI-5 5-Panel Tub Wall Kit & TI-55 Extension Kit

| Model | Part | Tub Area Designed To Fit | Ship Wt. Lb. | Ship FedEx | Carton Dims. In. | Cu. Ft. |
|-------|---------|--|--------------|------------|------------------|---------|
| TI-5 | TI50000 | 29-32" D x 53-60" W x 59-5/8" H (737-813 mm x 1346-1524 mm x 1514 mm) | 76 | - | 65 x 57 x 6 | 12.87 |
| TI-55 | TI55000 | Extends to 83-5/8" H (2124 mm) | 30 | FedEx | 54 x 25 x 6 | 4.69 |

TI-5 Kit Includes: One back panel with molded-in soap dish, two corner panels, two side panels with molded-in convenience shelves, two apron strips and installation materials.

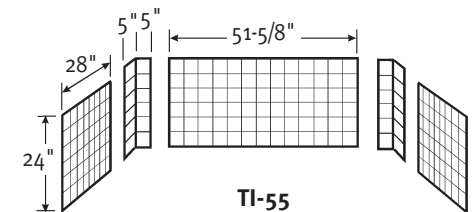
TI-55 Kit Includes: One back panel, two corner panels, two side panels and installation materials.

Packaging: Each kit is packed in a flat, rectangular carton.

COLORS

(See inside back cover for color sample.)

- White (010)
- Bone (037)
- Bisque (018)
- Bright White (137)
- Pearl (138)



The optional **TI-55** 5-Panel Extension Kit with molded-in color, extends the 59-5/8-inch height of the **TI-5** SwanTile™ walls to an additional 24-inch for a total of 83-5/8-inches above the bathtub edge. Panels can be cut to fit lower ceilings.

MAINTENANCE AND CLEANING INFORMATION

Clean regularly with common household liquid cleaners and a sponge or soft cloth. For hard water stains, scale removers can be used. To protect finish, fiberglass wax or automotive paste wax can be applied. **Do not** use abrasive cleaners or scouring pads. **Do not** use “leave on” cleaning products, such as automatic spray shower cleaners. Prolonged contact with harsh chemicals could have an adverse reaction over time and discolor surfaces. **Do not** use cleaning agents that caution use on acrylic, polyester or plastics.

SUPPORT DOCUMENTS

Installation instructions available at swanstone.com.



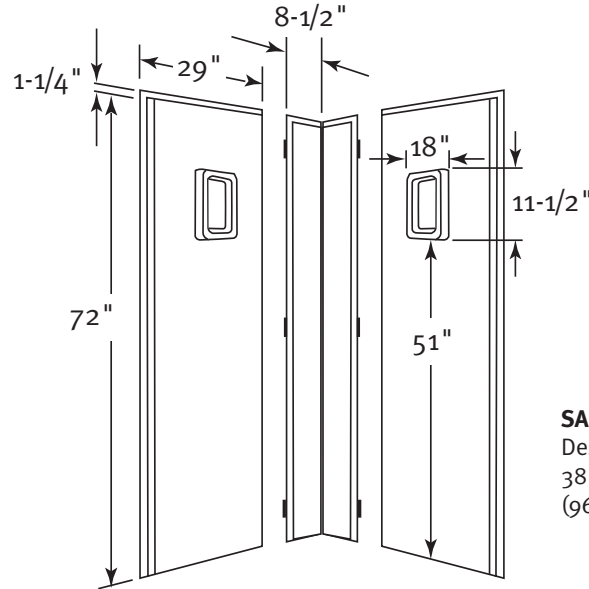


WARRANTY
Limited Lifetime – Residential
Limited 5-year – Commercial

Manufactured from Veritek®
(See page 2 for detailed information.)

FEATURES

- Nails directly to studs for fast installation.
- Sturdy interlocking system for one-piece appearance.
- Panels easily fit through existing doorways and can be installed by one person.
- Made of Veritek® composite material with no surface coating to chip or crack.
- The SA-38 NEO is a three piece compression-molded unit with a natural gloss surface.



SA-38 NEO
Designed to fit wall areas
38" deep x 38" wide* x 72" high
(965 mm x 965 mm x 1829 mm)

SPECIFICATIONS

SA-38 NEO Veritek® Angle Shower Alcove Wall

| Model | Part | Wall Area Designed To Fit | Ship Wt. Lb. | Ship FedEx | Carton Dims. In. | Cu. Ft. |
|--|-----------|---|-----------------|---------------|---------------------|---------|
| SA-38 NEO | NE00000SA | 38" D x 38" W* x 72" H (965 mm x 965 mm x 1829 mm) | 84 | - | 76 x 36 x 13 | 20.58 |
| Fits NEO shower floor size 38" D x 38" W (965 mm x 965 mm) | | | | | | |

*1-1/2-inch additional area required on outer edges of wall panels to accommodate nail-up flange.

Kit Includes: One right side panel, one left side panel, one corner panel, wall mounting clips and installation instructions.

Packaging: Each kit is packed in a flat, rectangular carton.

COLORS

(See inside back cover for color sample.)

- | | |
|----------------------|--------------------------|
| Solid Colors: | Aggregate Colors: |
| • White (010) | • Bermuda Sand (040) |
| • Bone (037) | • Gray Granite (042) |
| • Bisque (018) | • Tahiti Desert (050) |
| • Bright White (137) | |
| • Pearl (138) | |

MAINTENANCE AND CLEANING INFORMATION

Clean regularly with common household liquid cleaners and a sponge or soft cloth. For hard water stains, scale removers can be used. To protect finish, fiberglass wax or automotive paste wax can be applied. **Do not** use abrasive cleaners or scouring pads. **Do not** use "leave on" cleaning products, such as automatic spray shower cleaners. Prolonged contact with harsh chemicals could have an adverse reaction over time and discolor surfaces. **Do not** use cleaning agents that caution use on acrylic, polyester or plastics.

SUPPORT DOCUMENTS

Installation instructions available at swanstone.com.

MADE IN USA

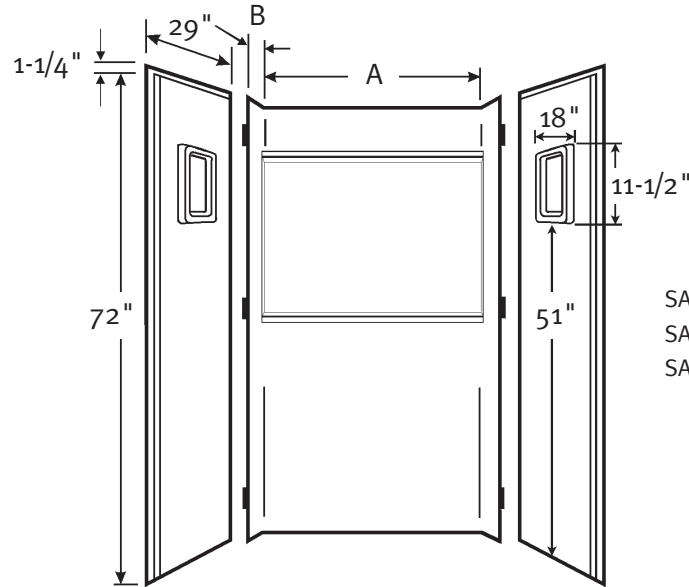
Manufactured from Veritek®
(See page 2 for detailed information.)

WARRANTY

Limited Lifetime – Residential
Limited 5-year – Commercial

FEATURES

- Nails directly to studs for fast installation.
- Sturdy interlocking system for one-piece appearance.
- Panels easily fit through existing doorways and can be installed by one person.
- Made of Veritek® composite material with no surface coating to chip or crack.
- The SA Series is a three piece compression-molded material with molded-in color and a natural gloss surface.



Back Panel Dimensions

| | | |
|---------|-------|------|
| SA-3232 | A 32" | B 3" |
| SA-3636 | A 36" | B 7" |
| SA-3448 | A 48" | B 5" |

SPECIFICATIONS

Veritek® Shower Alcove Walls

| Model | Part | Wall Area Designed To Fit | Ship Wt. Lb. | Ship FedEx | Carton Dims. In. | Cu. Ft. |
|---|---------|--|--------------|------------|------------------|---------|
| SA-3232 | SA03232 | 32" D x 32" W x 72" H* (813 mm x 813 mm x 1829 mm) | 66 | - | 76 x 35 x 10 | 15.4 |
| Fits shower floor size 32" D x 32" W (813 mm x 813 mm) | | | | | | |
| SA-3636 | SA03636 | 36" D x 36" W x 72" H* (914 mm x 914 mm x 1829 mm) | 84 | - | 80 x 40 x 10 | 18.5 |
| Fits shower floor size 36" D x 36" W (914 mm x 914 mm) | | | | | | |
| SA-3448 | SA03448 | 34" D x 48" W x 72" H* (864 mm x 1219 mm x 1829 mm) | 106 | - | 76 x 52 x 10 | 22.9 |
| Fits shower floor size 34" D x 48" W (864 mm x 1219 mm) | | | | | | |

*1-1/2-inch additional area required on outer edges of wall panels to accommodate nail-up flange.

Each Kit Includes: One right side panel, one left side panel, one back panel with six factory-installed wall mounting clips and installation instructions.

Packaging: Each kit is packed in a flat, rectangular carton.

SUPPORT DOCUMENTS

Installation instructions available at swanstone.com.

 **MADE IN USA**

COLORS

(See inside back cover for color sample.)

Solid Colors:

- White (010)
- Bone (037)
- Bisque (018)
- Bright White (137)
- Pearl (138)

Aggregate Colors:

- Bermuda Sand (040)
- Gray Granite (042)
- Tahiti Desert (050)

MAINTENANCE AND CLEANING INFORMATION

Clean regularly with common household liquid cleaners and a sponge or soft cloth. For hard water stains, scale removers can be used. To protect finish, fiberglass wax or automotive paste wax can be applied. **Do not** use abrasive cleaners or scouring pads. **Do not** use "leave on" cleaning products, such as automatic spray shower cleaners. Prolonged contact with harsh chemicals could have an adverse reaction over time and discolor surfaces. **Do not** use cleaning agents that caution use on acrylic, polyester or plastics.

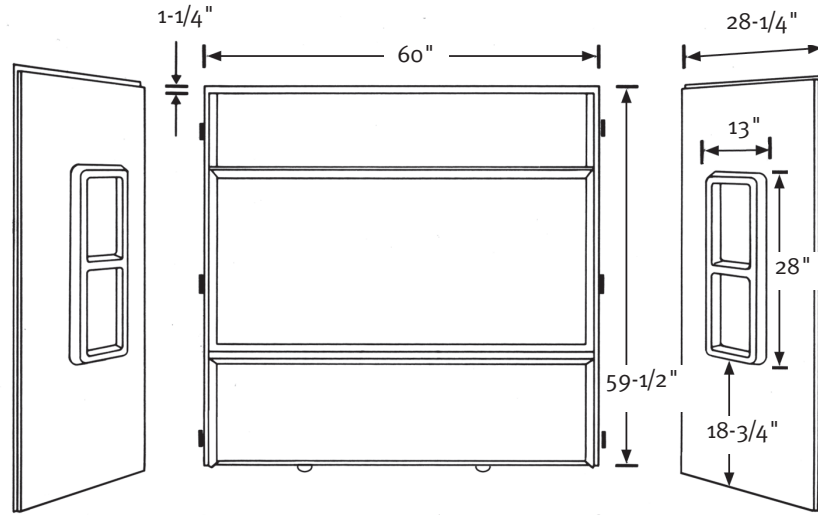


Manufactured from Veritek®
(See page 2 for detailed information.)

WARRANTY
Limited Lifetime – Residential
Limited 5-year – Commercial

FEATURES

- Nails directly to studs for fast installation.
- Sturdy interlocking system for one-piece appearance.
- Panels easily fit through existing doorways and can be installed by one person.
- Made of Veritek® with no surface coating to chip or crack.
- The BA-3060 is a three piece compression-molded composite material with molded-in color and a natural gloss surface.



BA-3060
Designed to fit tub area
30" deep x 60" wide* x 59-1/2" high (762 mm x 1524 mm x 1511 mm)
Shower door opening size: 58-1/16" wide at tub ledge, 58" high

SPECIFICATIONS

BA-3060 Veritek® Bath Alcove Walls

| Model | Part | Tub Area Designed To Fit | Ship Wt. Lb. | Ship FedEx | Carton Dims. In. | Cu. Ft. |
|---------|---------|--|-----------------|---------------|---------------------|---------|
| BA-3060 | BA03060 | 30" D x 60" W* x 59-1/2" H (762 mm x 1524 mm x 1511 mm) | 75 | - | 65 x 63 x 7 | 15.40 |

*1-1/2-inch additional area required on outer edges of wall panels to accommodate nail-up flange.

Kit Includes: One right side panel, one left side panel, one back panel with six factory-installed wall mounting clips and installation instructions.

Packaging: Each kit is packed in a flat, rectangular carton.

COLORS

(See inside back cover for color sample.)

Solid Colors:

- White (010)
- Bone (037)
- Bisque (018)
- Bright White (137)
- Pearl (138)

Aggregate Colors:

- Bermuda Sand (040)
- Gray Granite (042)
- Tahiti Desert (050)

STANDARDS AND RATINGS

American National Standard Institute—ANSI Z124.1.2

MAINTENANCE AND CLEANING INFORMATION

Clean regularly with common household liquid cleaners and a sponge or soft cloth. For hard water stains, scale removers can be used. To protect finish, fiberglass wax or automotive paste wax can be applied. **Do not** use abrasive cleaners or scouring pads. **Do not** use “leave on” cleaning products, such as automatic spray shower cleaners. Prolonged contact with harsh chemicals could have an adverse reaction over time and discolor surfaces. **Do not** use cleaning agents that caution use on acrylic, polyester or plastics.

SUPPORT DOCUMENTS

Installation instructions available at swanstone.com.

MADE IN USA

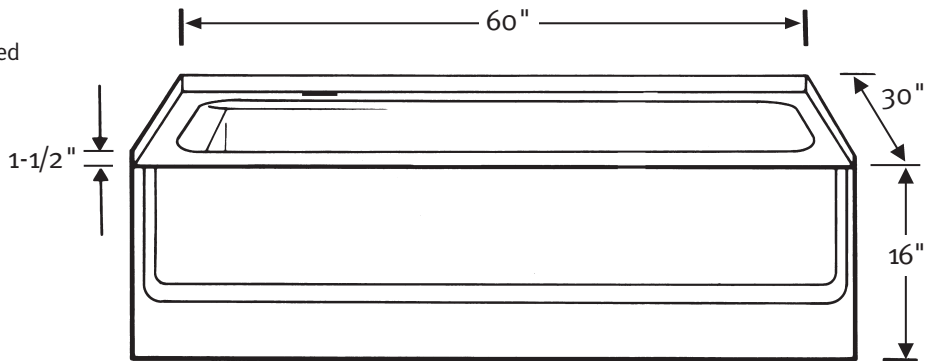


Manufactured from Veritek®
(See page 2 for detailed information.)

WARRANTY
Limited Lifetime – Residential
Limited 5-year – Commercial

FEATURES

- The BT-3060 L/R is a compression-molded material with molded-in color and a natural gloss surface for easy cleaning.
- Solid and aggregate colors match many Swanstone and Veritek wall systems.
- Generous 16" height is deeper than a standard tub.
- Pre-leveled bottom for easy installation.
- Skid-resistant pattern molded into bathtub.
- Made of Veritek® with no surface coating to chip or crack—color runs throughout.



BT-3060 L/R Veritek® Bathtub
Designed to fit tub area
30" deep x 60" wide (762 mm x 1524 mm)
Capacity: 65 gallons to bottom of overflow
13-1/2" from bottom of tub to center line of overflow
Bathing well dimensions: 22-1/2" x 50" x 13" (572 mm x 1270 mm x 330 mm)

SPECIFICATIONS

BT-3060 L/R Veritek® Bathtub

| Model | Part | Tub Area Designed To Fit | Ship Wt. Lb. | Ship FedEx | Carton Dims. In. | Cu. Ft. |
|--------------|---------------|-------------------------------------|-----------------|---------------|---------------------|---------|
| BT-3060L/R | BT03060 LD/RD | 30" D x 60" W (762 mm x 1524 mm) | 70 | - | 62 x 33 x 19 | 22.16 |
| BT-3060L5/R5 | BT03060 L5/R5 | 30" D x 60" W (762 mm x 1524 mm) | 350 | - | 63 x 33 x 49 | 58.95 |

Kit Includes: One bathtub, six bathtub clips and complete installation instructions.

Available in 5-packs BT 3060L5 and BT3060R5.

Packaging: Each kit is packed in a flat, rectangular carton.

COLORS

(See inside back cover for color sample.)

Solid Colors:

- White (010)
- Bone (037)
- Bisque (018)
- Bright White (137)
- Pearl (138)

Aggregate Colors:

- Bermuda Sand (040)
- Gray Granite (042)
- Tahiti Desert (050)

SUPPORT DOCUMENTS

Installation instructions available at swanstone.com.

MADE IN USA

MAINTENANCE AND CLEANING INFORMATION

Clean regularly with common household liquid cleaners and a sponge or soft cloth. For hard water stains, scale removers can be used. To protect finish, fiberglass wax or automotive paste wax can be applied. **Do not** use abrasive cleaners or scouring pads. **Do not** use "leave on" cleaning products, such as automatic spray shower cleaners. Prolonged contact with harsh chemicals could have an adverse reaction over time and discolor surfaces. **Do not** use cleaning agents that caution use on acrylic, polyester or plastics.

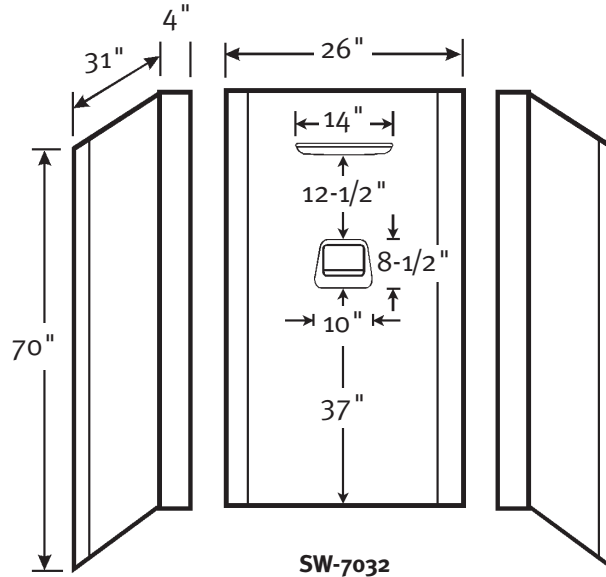


Manufactured from Swan High-Gloss
(See page 2 for detailed information.)

WARRANTY
Limited Lifetime – Residential
Limited 5-year – Commercial

FEATURES

- Ultra-bright, glossy surface comes from durable, baked-on finish.
- Includes all materials needed for installation.
- Glue-up three piece shower wall panel system.
- Compression molded.



SW-7032

Designed to fit base areas
32" wide x 32" deep or smaller x 70" high
(813 mm x 813 mm x 1778 mm)

SPECIFICATIONS

SW-7032 High-Gloss Shower Wall Kit

| Model | Part | Base Area Designed To Fit | Ship Wt. Lb. | Ship FedEx | Carton Dims. In. | Cu. Ft. |
|---------|---------|--|-----------------|---------------|---------------------|---------|
| SW-7032 | SW07032 | 32" W x 32" D* x 70" H (*or smaller) (813 mm x 813 mm x 1778 mm) | 48 | - | 74 x 34 x 6 | 8.74 |

Kit Includes: One back panel with molded-in soap dish and shampoo shelf, two end panels and installation materials.

Packaging: Each kit is packed in a flat, rectangular carton.

ACCESSORIES

See page 85 for complete listing of all shower wall accessories.

COLORS

(See inside back cover for color sample.)

- White (010)
- Bone (037)
- Bisque (018)

MAINTENANCE AND CLEANING INFORMATION

Clean regularly with common household liquid cleaners and a sponge or soft cloth. **Do not** use abrasive cleaners or scouring pads. **Do not** use "leave on" cleaning products, such as automatic spray shower cleaners. Prolonged contact with harsh chemicals could have an adverse reaction over time and discolor surfaces.

SUPPORT DOCUMENTS

Installation instructions available at swanstone.com.

MADE IN USA

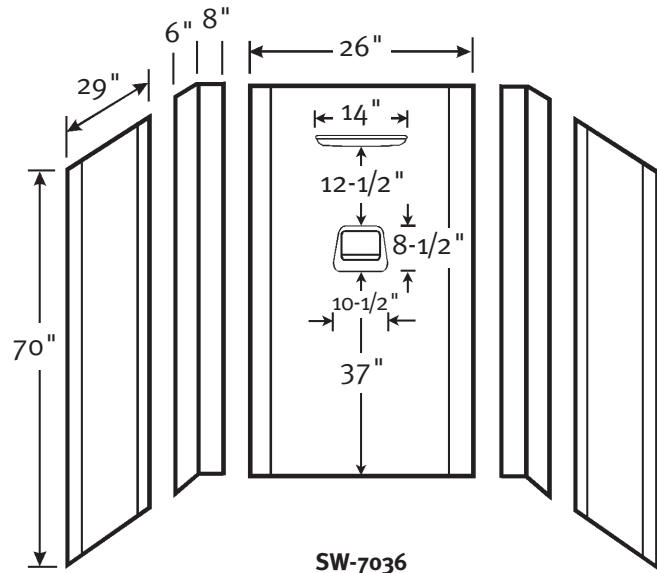


Manufactured from Swan High-Gloss
(See page 2 for detailed information.)

WARRANTY
Limited Lifetime – Residential
Limited 5-year – Commercial

FEATURES

- Ultra-bright, glossy surface comes from durable, baked-on finish.
- Includes all materials needed for installation.
- Glue-up five piece shower wall panel system.
- Compression molded.



SW-7036

Designed to fit base areas
36" wide x 36" deep or smaller x 70" high
(914 mm x 914 mm x 1778 mm)

SPECIFICATIONS

SW-7036 High-Gloss Shower Wall Kit

| Model | Part | Base Area Designed To Fit | Ship Wt. Lb. | Ship FedEx | Carton Dims. In. | Cu. Ft. |
|---------|---------|--|--------------|------------|------------------|---------|
| SW-7036 | SW07036 | 36" W x 36" D* x 70" H (*or smaller) (914 mm x 914 mm x 1778 mm) | 54 | - | 74 x 30 x 6 | 7.71 |

Kit Includes: One back panel with molded-in soap dish and shampoo shelf, two right angle corner panels, two flat side panels and installation materials.
Packaging: Each kit is packed in a flat, rectangular carton.

COLORS

(See inside back cover for color sample.)

- White (010)
- Bone (037)
- Bisque (018)

ACCESSORIES

See page 85 for complete listing of all shower wall accessories.

MAINTENANCE AND CLEANING INFORMATION

Clean regularly with common household liquid cleaners and a sponge or soft cloth. **Do not** use abrasive cleaners or scouring pads. **Do not** use "leave on" cleaning products, such as automatic spray shower cleaners. Prolonged contact with harsh chemicals could have an adverse reaction over time and discolor surfaces.

SUPPORT DOCUMENTS

Installation instructions available at swanstone.com.



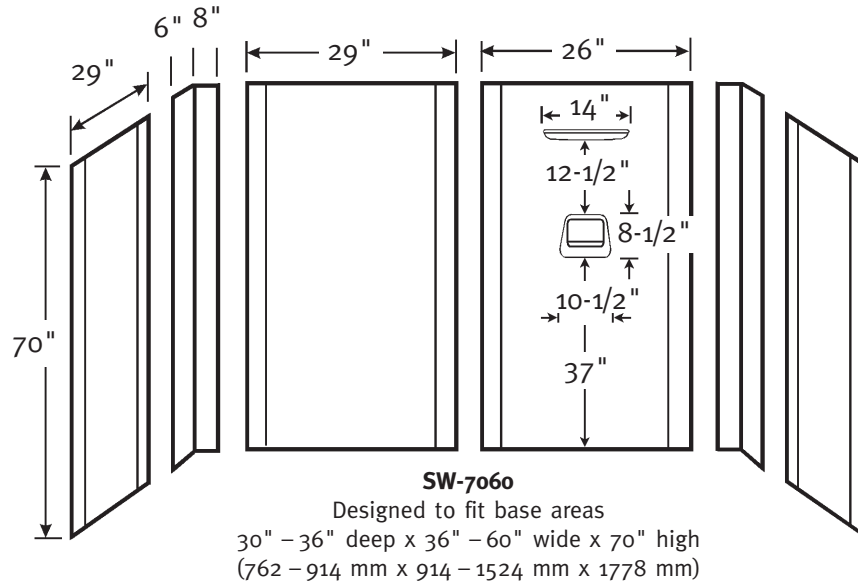
Manufactured from Swan High-Gloss
(See page 2 for detailed information.)

WARRANTY

Limited Lifetime – Residential
Limited 5-year – Commercial

FEATURES

- Ultra-bright, glossy surface comes from durable, baked-on finish.
- Includes all materials needed for installation.
- Glue-up six piece shower wall panel system.
- Compression-molded.



SPECIFICATIONS

SW-7060 High-Gloss Shower Wall Kit

| Model | Part | Base Area Designed To Fit | Ship Wt. Lb. | Ship FedEx | Carton Dims. In. | Cu. Ft. |
|---------|---------|--|-----------------|---------------|---------------------|---------|
| SW-7060 | SW07060 | 30" – 36" D x 36" – 60" W x 70" H (762 mm – 914 mm x 914 mm – 1524 mm x 1778 mm) | 68 | – | 74 x 30 x 7 | 9.0 |

Kit Includes: One back panel with molded-in soap dish and shampoo shelf, two right angle corner panels, two flat side panels, one flat extension panel and installation materials.

Packaging: Each kit is packed in a flat, rectangular carton.

ACCESSORIES

See page 85 for complete listing of all shower wall accessories.

COLORS

(See inside back cover for color sample.)

- White (010)
- Bone (037)
- Bisque (018)

SUPPORT DOCUMENTS

Installation instructions available at swanstone.com.

 **MADE IN USA**

MAINTENANCE AND CLEANING INFORMATION

Clean regularly with common household liquid cleaners and a sponge or soft cloth. **Do not** use abrasive cleaners or scouring pads. **Do not** use "leave on" cleaning products, such as automatic spray shower cleaners. Prolonged contact with harsh chemicals could have an adverse reaction over time and discolor surfaces.

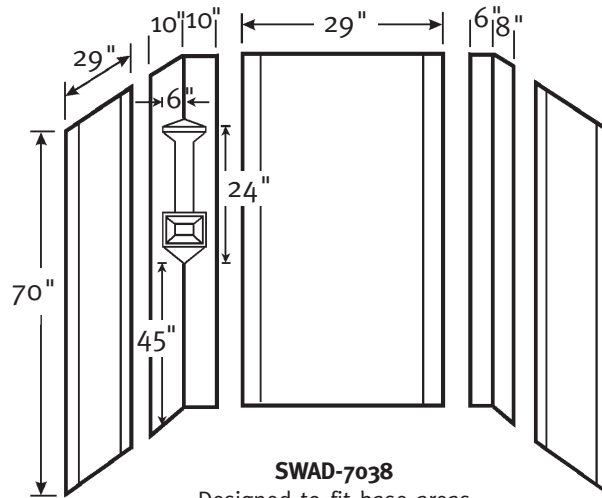


WARRANTY
 Limited Lifetime – Residential
 Limited 5-year – Commercial

Manufactured from Swan High-Gloss
 (See page 2 for detailed information.)

FEATURES

- Ultra-bright, glossy surface comes from durable, baked-on finish.
- Includes all materials needed for installation.
- Glue-up five piece shower wall panel system designed to be used with the FTS-3738 Transfer Shower Floor.
- Compression-molded.



SWAD-7038
 Designed to fit base areas
 37" deep x 38" wide x 70" high

SPECIFICATIONS

SWAD-7038 High-Gloss Shower Wall Kit

| Model | Part | Base Area Designed To Fit | Ship Wt. Lb. | Ship FedEx | Carton Dims. In. | Cu. Ft. |
|-----------|-----------|---------------------------|--------------|------------|------------------|---------|
| SWAD-7038 | SW07038AD | 37" D x 38" W x 70" H | 59 | - | 31 x 9 x 72 | 11.63 |

Kit Includes: One back panel, two flat side panels, one right angle corner panel with shelves, one right angle corner panel and installation materials.

Packaging: Each kit is packed in a flat, rectangular carton.

COLORS

(See inside back cover for color sample.)

- White (010)
- Bone (037)
- Bisque (018)

ACCESSORIES

See page 85 for complete listing of all shower wall accessories.

SUPPORT DOCUMENTS

Installation instructions available at swanstone.com.



MAINTENANCE AND CLEANING INFORMATION

Clean regularly with common household liquid cleaners and a sponge or soft cloth. **Do not** use abrasive cleaners or scouring pads. **Do not** use "leave on" cleaning products, such as automatic spray shower cleaners. Prolonged contact with harsh chemicals could have an adverse reaction over time and discolor surfaces.

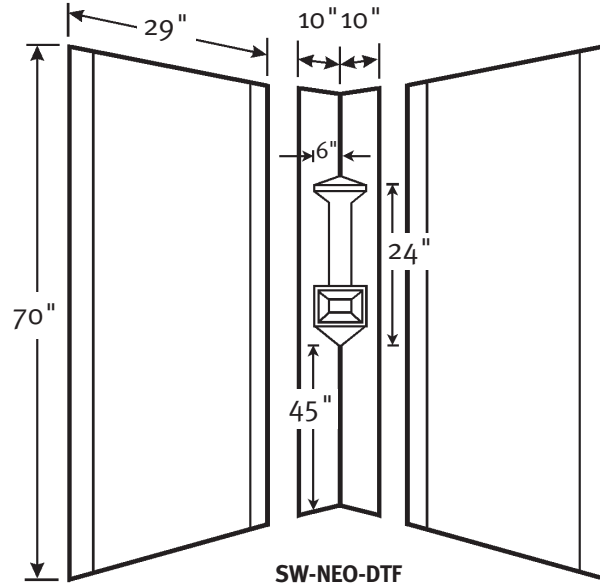


Manufactured from Swan High-Gloss
(See page 2 for detailed information.)

WARRANTY
Limited Lifetime – Residential
Limited 5-year – Commercial

FEATURES

- Ultra-bright, glossy surface comes from durable, baked-on finish.
- Includes all materials needed for installation.
- Glue-up three piece shower wall panel system.
- Compression-molded.



SW-NEO-DTF

Designed to fit wall areas
35-1/2" x 35-1/2" to 38" x 38" x 70" high
(902 mm x 902 mm to 965 mm x 965 mm x 1778 mm)

SPECIFICATIONS

SW-NEO-DTF High-Gloss NEO-Angle & Double Threshold

| Model | Part | Wall Area Designed To Fit | Ship Wt. Lb. | Ship FedEx | Carton Dims. In. | Cu. Ft. |
|------------|-----------|--|--------------|------------|------------------|---------|
| SW-NEO-DTF | NE00000SW | 35-1/2" D x 35-1/2" W to 38" D x 38" W x 70" H (902 mm x 902 mm to 965 mm x 965 mm x 1778 mm) | 42 | - | 72 x 31 x 9 | 11.63 |

Kit Includes: One back panel with shelves, two flat side panels and installation materials.

Packaging: Each kit is packed in a flat, rectangular carton.

ACCESSORIES

See page 85 for complete listing of all shower wall accessories.

COLORS

(See inside back cover for color sample.)

- White (010)
- Bone (037)
- Bisque (018)

MAINTENANCE AND CLEANING INFORMATION

Clean regularly with common household liquid cleaners and a sponge or soft cloth. **Do not** use abrasive cleaners or scouring pads. **Do not** use "leave on" cleaning products, such as automatic spray shower cleaners. Prolonged contact with harsh chemicals could have an adverse reaction over time and discolor surfaces.

SUPPORT DOCUMENTS

Installation instructions available at swanstone.com.

MADE IN USA

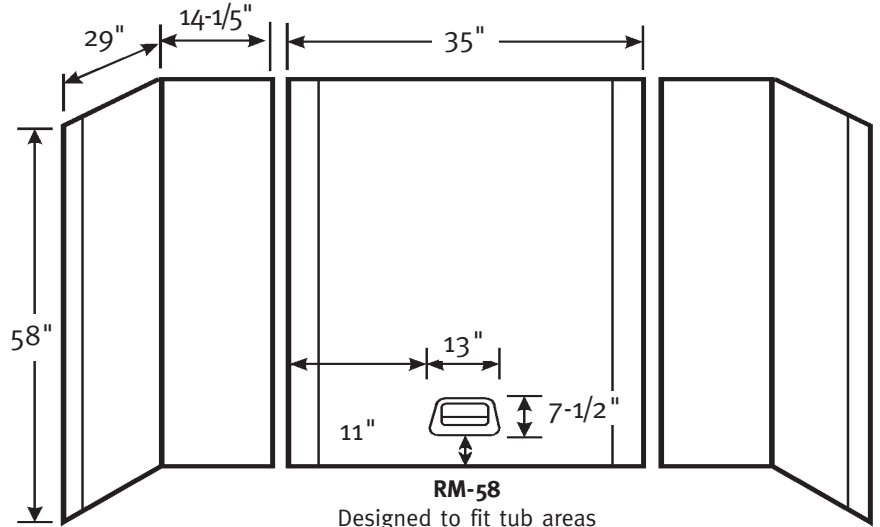


Manufactured from Swan High-Gloss
(See page 2 for detailed information.)

WARRANTY
Limited Lifetime – Residential
Limited 5-year – Commercial

FEATURES

- Will not mold or mildew, no grout to clean.
- Ideal for both remodeling projects and new construction.
- Ultra-bright, glossy surface comes from durable, baked-on finish.
- The **RM-58** is a glue-up three piece compression-molded unit with a high-gloss, smooth surface.



RM-58
Designed to fit tub areas
29-30" deep x 62" wide or smaller x 58" high
(737-762 mm x 1575 mm x 1473 mm)

SPECIFICATIONS

RM-58 High-Gloss 3-Panel Tub Wall Kit

| Model | Part | Tub Area Designed To Fit | Ship Wt. Lb. | Ship FedEx | Carton Dims. In. | Cu. Ft. |
|-------|---------|--|--------------|------------|------------------|---------|
| RM-58 | RM58000 | 29-30" D x 62" W* x 58" H (*or smaller) (737-762 mm x 1575 mm x 1473 mm) | 53 | - | 66 x 37 x 9 | 12.72 |

Kit Includes: One back panel with molded-in soap dish, two end panels and installation materials.

Packaging: Each kit is packed in a triangular carton.

ACCESSORIES

See page 85 for complete listing of all tub wall accessories.

COLORS

(See inside back cover for color sample.)

- White (010)
- Bone (037)
- Bisque (018)

SUPPORT DOCUMENTS

Installation instructions available at swanstone.com.

MADE IN USA

MAINTENANCE AND CLEANING INFORMATION

Clean regularly with common household liquid cleaners and a sponge or soft cloth. **Do not** use abrasive cleaners or scouring pads. **Do not** use "leave on" cleaning products, such as automatic spray shower cleaners. Prolonged contact with harsh chemicals could have an adverse reaction over time and discolor surfaces.

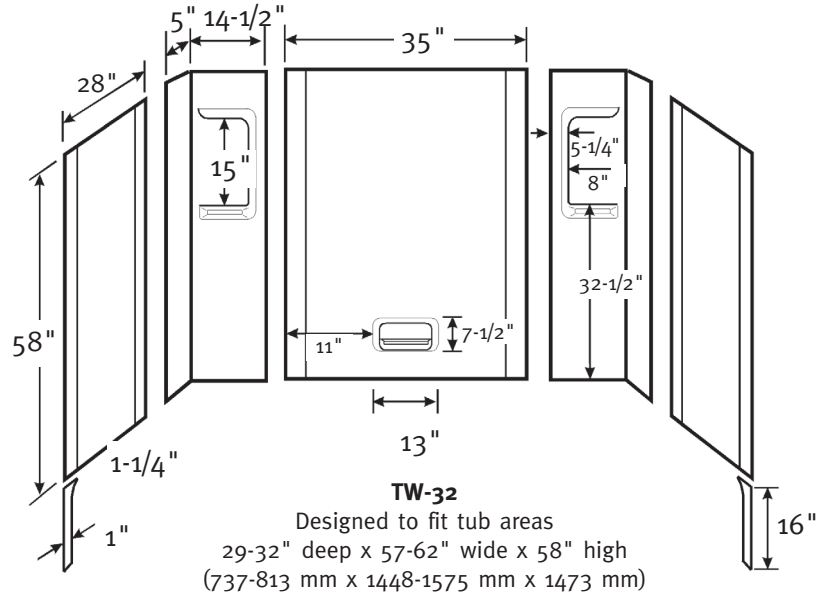


Manufactured from Swan High-Gloss
(See page 2 for detailed information.)

WARRANTY
Limited Lifetime – Residential
Limited 5-year – Commercial

FEATURES

- Will not mold or mildew, no grout to clean.
- Ideal for both remodeling projects and new construction.
- Ultra-bright, glossy surface comes from durable, baked-on finish
- Three shelves for generous storage space.
- The TW-32 is a glue-up seven piece compression-molded unit with a high-gloss, smooth surface.



SPECIFICATIONS

TW-32 High-Gloss 5-Panel Tub Wall Kit

| Model | Part | Tub Area Designed To Fit | Ship Wt. Lb. | Ship FedEx | Carton Dims. In. | Cu. Ft. |
|-------|---------|--|-----------------|---------------|---------------------|---------|
| TW-32 | TW32000 | 29-32" D x 57-62" W x 58" H (737-813 mm x 1448-1575 mm x 1473 mm) | 59 | - | 62 x 38 x 7 | 9.55 |

Kit Includes: One back panel with molded-in soap dish, two right angle corner panels with molded-in shampoo shelves, two flat side panels, two apron strips and installation materials.

Packaging: Each kit is packed in a flat, rectangular carton.

ACCESSORIES

See page 85 for complete listing of all tub wall accessories.

COLORS

(See inside back cover for color sample.)

- White (010)
- Bone (037)
- Bisque (018)

**MAINTENANCE AND
CLEANING INFORMATION**

Clean regularly with common household liquid cleaners and a sponge or soft cloth. **Do not** use abrasive cleaners or scouring pads. **Do not** use "leave on" cleaning products, such as automatic spray shower cleaners. Prolonged contact with harsh chemicals could have an adverse reaction over time and discolor surfaces.

SUPPORT DOCUMENTS

Installation instructions available at swanstone.com.

MADE IN USA

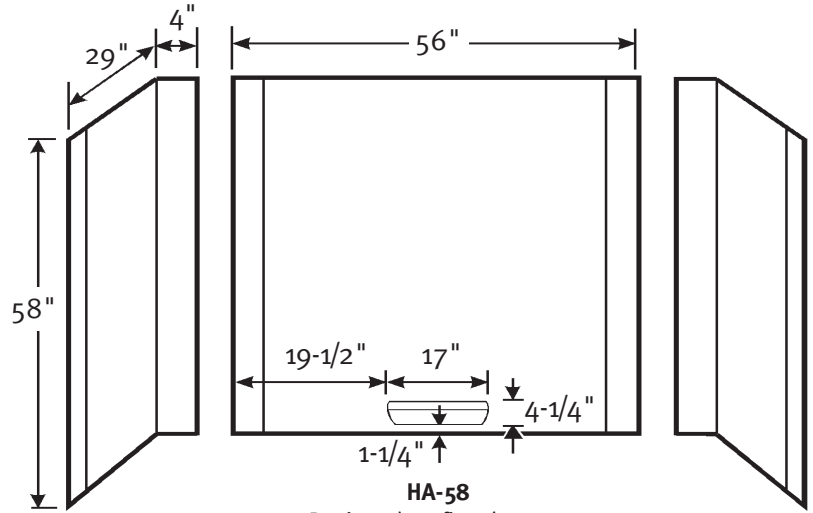


Manufactured from Swan High-Gloss
(See page 2 for detailed information.)

WARRANTY
Limited Lifetime – Residential
Limited 5-year – Commercial

FEATURES

- Will not mold or mildew, no grout to clean.
- Ideal for both remodeling projects and new construction.
- Meets ADA guidelines for soap dish height and grab bar installation.
- Ultra-bright, glossy surface comes from durable, baked-on finish.
- The HA-58 is a glue-up three piece compression-molded unit with a high-gloss, smooth surface.



HA-58
Designed to fit tub areas
30" deep x 60" wide or smaller x 58" high
(762 mm x 1524 mm x 1473 mm)

SPECIFICATIONS

HA-58 High-Gloss 3-Panel Tub Wall Kit

| Model | Part | Tub Area Designed To Fit | Ship Wt. Lb. | Ship FedEx | Carton Dims. In. | Cu. Ft. |
|-------|---------|---|--------------|------------|------------------|---------|
| HA-58 | HA58000 | 30" D x 60" W* x 58" H (*or smaller) (762 mm x 1524 mm x 1473 mm) | 57 | - | 61 x 61 x 6 | 12.92 |

Kit Includes: One back panel with molded-in soap dish, two end panels and installation materials.

Packaging: Each kit is packed in a flat, rectangular carton.

ACCESSORIES

See page 85 for complete listing of all tub wall accessories.

COLORS

(See inside back cover for color sample.)

- White (010)
- Bone (037)
- Bisque (018)

SUPPORT DOCUMENTS

Installation instructions available at swanstone.com.



MAINTENANCE AND CLEANING INFORMATION

Clean regularly with common household liquid cleaners and a sponge or soft cloth. **Do not** use abrasive cleaners or scouring pads. **Do not** use "leave on" cleaning products, such as automatic spray shower cleaners. Prolonged contact with harsh chemicals could have an adverse reaction over time and discolor surfaces.

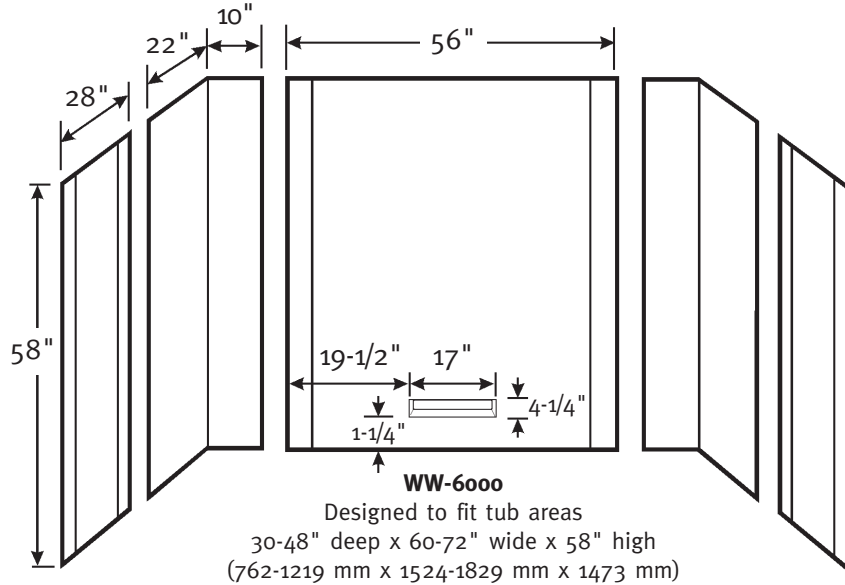


Manufactured from Swan High-Gloss
(See page 2 for detailed information.)

WARRANTY
Limited Lifetime – Residential
Limited 5-year – Commercial

FEATURES

- Will not mold or mildew, no grout to clean.
- Ideal for both remodeling projects and new construction.
- Ultra-bright, glossy surface comes from durable, baked-on finish.
- Designed especially for whirlpool tubs.
- Durable high-gloss walls will not leak or mildew.
- The **WW-6000** is a glue-up five piece compression-molded unit with a high-gloss, smooth surface.



SPECIFICATIONS

WW-6000 High-Gloss 5-Panel Tub Wall Kit

| Model | Part | Tub Area Designed To Fit | Ship Wt. Lb. | Ship FedEx | Carton Dims. In. | Cu. Ft. |
|---------|--------|---|-----------------|---------------|---------------------|---------|
| WW-6000 | WW6000 | 30-48" D x 60-72" W x 58" H (762-1219 mm x 1524-1829 mm x 1473 mm) | 99 | - | 61 x 60 x 11 | 23.30 |

Kit Includes: One center panel with molded-in soap dish, two right angle corner panels, two side panels and installation materials.

Packaging: Each kit is packed in a flat, rectangular carton.

ACCESSORIES

See page 85 for complete listing of all tub wall accessories.

COLORS

(See inside back cover for color sample.)

- White (010)
- Bone (037)
- Bisque (018)

**MAINTENANCE AND
CLEANING INFORMATION**

Clean regularly with common household liquid cleaners and a sponge or soft cloth. **Do not** use abrasive cleaners or scouring pads. **Do not** use "leave on" cleaning products, such as automatic spray shower cleaners. Prolonged contact with harsh chemicals could have an adverse reaction over time and discolor surfaces.

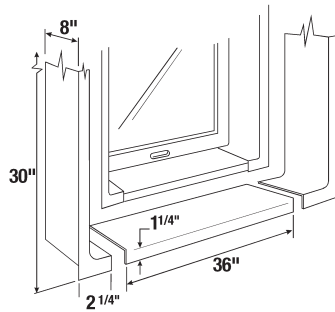
SUPPORT DOCUMENTS

Installation instructions available at swanstone.com.

MADE IN USA

TUB AND SHOWER WALL ACCESSORIES
WTK-1 High-Gloss Window Trim Kit

For window sill applications up to 36" wide and 8" deep.


WTK-1

| Model | Part | Ship Wt. Lb. | Ship FedEx | Carton Dims. In. | Cu. Ft. |
|----------------|-----------|--------------|------------|------------------|---------|
| WTK-1 (single) | WK10000 | 9 | FedEx | 37 x 8 x 4 | .69 |
| WTK-1 (6-pack) | WK1000006 | 50 | FedEx | 36 x 23 x 10 | 4.8 |

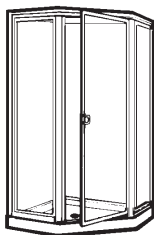
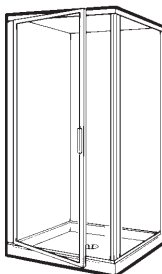
Extension Divider Strip – For window sill applications greater than 36" wide.*

| | | | | | |
|---------|---|---|-------|------------|-----|
| WK-1009 | WK10000DS Window Trim Kit Divider Strip | 1 | FedEx | – | – |
| WK-1001 | WK10000WS Window Sill Panel | 3 | FedEx | 37 x 8 x 4 | .69 |

*Covers seam when joining two sill panels.

Kit Includes: One horizontal sill panel, two vertical jamb panels, installation materials and complete installation instructions.

Packaging: Packed in individual cartons, both singly and with a master carton (6 pack).


NEO

DTF
Shower Doors

| Model | Part | Ship Wt. Lb. | Ship FedEx | Carton Dims. In. | Cu. Ft. |
|---|-----------|--------------|------------|------------------|---------|
| SD-38NEO (Obscure Glass) | SD000380G | 79 | – | 73 x 29 x 8 | 9.8 |
| SD-38NEO-C (Clear Glass) | SD00038CG | 79 | – | 73 x 29 x 8 | 9.8 |
| Designed to fit RO/RI/SS 38NEO Floors | | | | | |
| SD-36NEO (Obscure Glass) | SD000360B | 75 | – | 73 x 29 x 8 | 9.8 |
| SD-36NEO-C (Clear Glass) | SD00036CG | 75 | – | 73 x 29 x 8 | 9.8 |
| Designed to fit RO/RI/SS 36NEO Floors | | | | | |
| SD-A38NEO (Obscure Glass) | SD0038AOG | 80 | – | 73 x 39 x 8 | 13.18 |
| SD-A38NEO-C (Clear Glass) | SD0038ACG | 80 | – | 73 x 39 x 8 | 13.18 |
| Designed to fit SA-38NEO Alcove Walls | | | | | |
| SD-DTF (Obscure Glass) | SD036360G | 85 | – | 73 x 36 x 6 | 9.13 |
| SD-DTF-C (Clear Glass) | SD03636CG | 85 | – | 73 x 36 x 6 | 9.13 |
| Designed to fit RO/RI/SS - 36DTF Floors | | | | | |

Kits Include: Tempered glass door and side panels, all necessary extrusions, a hardware package and installation instructions.

Packaging: All above items are packed in individual cartons.

See back cover for complete listing of colors available for each accessory.



Single Threshold Shower Floors

SWANSTONE SHOWER FLOORS

With Fit-Flo™ Drain

Manufactured from Swanstone solid surface
(See page 2 for detailed information.)

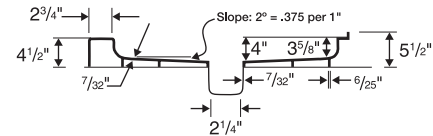
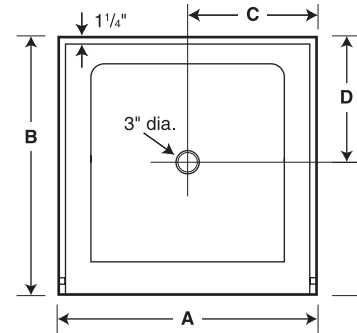
WARRANTY
Limited Lifetime – Residential
Limited 10-year – Commercial

Recommended for high-use traffic areas and commercial surfaces.

FEATURES

- Reinforced solid surface means color and texture run all the way through and cannot wear away.
- Will not mold or mildew, no grout to clean.
- Coordinates with Swanstone shower and bath systems.
- Pebbled, slip-resistant surface.

| Model | A | B | C | D |
|---------|-----|-----|-----|-----|
| SS-3232 | 32" | 32" | 16" | 16" |
| SS-3248 | 48" | 32" | 24" | 16" |
| SS-3260 | 60" | 32" | 30" | 16" |
| SS-3442 | 42" | 34" | 21" | 17" |
| SS-3448 | 48" | 34" | 24" | 17" |



| Model | Nominal Size | Rough-In Dimensions | | | |
|---------|--------------|---------------------|----------|----------|----------|
| | | A | B | C | D |
| SS-3232 | 32" x 32" | 32-3/8" | 32-3/16" | 16-3/16" | 16-3/16" |
| SS-3248 | 32" x 48" | 48-3/8" | 32-3/16" | 24-3/16" | 16-3/16" |
| SS-3260 | 32" x 60" | 60-3/8" | 32-3/16" | 30-3/16" | 16-3/16" |
| SS-3442 | 34" x 42" | 42-3/8" | 34-3/16" | 21-3/16" | 17-3/16" |
| SS-3448 | 34" x 48" | 48-3/8" | 34-3/16" | 24-3/16" | 17-3/16" |

IMPORTANT: Rough-in dimensions are provided for reference only. You must measure the actual shower floor and check local building code requirements before construction of the stud wall.

SPECIFICATIONS

Single Threshold Shower Floors With Fit-Flo™ Drain

(See next page for more models.)

| Model | Part | Nominal Size Dimensions | Ship | | Carton | Cu. Ft. |
|----------|-----------|----------------------------------|---------|-------|--------------|---------|
| | | | Wt. Lb. | FedEx | | |
| SS-3232 | SF03232MD | 32" D x 32" W (813 mm x 813 mm) | 32 | - | 38 x 37 x 10 | 9 |
| SS-3248 | SF03248MD | 32" D x 48" W (813 mm x 1219 mm) | 49 | - | 54 x 38 x 10 | 12 |
| SS-3260* | SF03260MD | 32" D x 60" W (813 mm x 1524 mm) | 56 | - | 66 x 37 x 10 | 15 |
| SS-3442 | SF03442MD | 34" D x 42" W (864 mm x 1067 mm) | 47 | - | 48 x 40 x 10 | 12 |
| SS-3448 | SF03448MD | 34" D x 48" W (864 mm x 1219 mm) | 47 | - | 54 x 39 x 10 | 13 |

*Center drain

Includes: One code-approved compression-molded Swanstone floor with molded-in Fit-Flo drain and installation instructions.

Packaging: Each floor packed in a rectangular carton.

STANDARDS AND RATINGS

American National Standard Institute—ANSI Z124.1.2

International Association of Plumbing and Mechanical Officials (IAPMO)—Listed

CSA Standard B45.5 by IAPMO

Uniform Plumbing Code (UPC)

For a complete list of tests and results see the Technical Data Sheet.

SUPPORT DOCUMENTS

Installation instructions available at swanstone.com.

MADE IN USA

COLORS

(See inside back cover for color sample.)

Solid Colors:

- White (010)
- Bone (037)
- Bisque (018)
- Bright White (137)
- Pearl (138)

Aggregate Colors:

- Acorn (123)
- Almond Galaxy (046)
- Arctic Granite (035)
- Baby's Breath (168)
- Barley (091)
- Bermuda Sand (040)
- Canyon (124)
- Caraway Seed (169)
- Cloud Bone (126)
- Cloud White (125)
- Cornflower (063)
- Glacier (121)

- Golden Steppe (128)
- Gray Granite (042)
- Ice (130)
- Indian Grass (071)
- Mountain Haze (129)
- Night Sky (012)
- Pebble (072)
- Prairie (122)
- Sierra (094)
- Tahiti Desert (050)
- Tahiti Gray (053)
- Tahiti Ivory (059)
- Tahiti Matrix (058)
- Tahiti Sand (051)
- Tahiti Terra (055)
- Tahiti White (011)
- Tundra (131)
- Winter Wheat (060)

MAINTENANCE AND CLEANING INFORMATION

Clean regularly with common household liquid cleaners and a sponge or soft cloth. For hard water stains, scale removers can be used. If necessary, abrasive cleaners can be used with a nylon brush or pad to remove build up on the shower floor surface. **Do not** use a metal-scouring pad or a wire brush, as it will damage the surface. **Do not** use "leave on" cleaning products, such as automatic spray shower cleaners. Prolonged contact with harsh chemicals could have an adverse reaction over time and discolor surfaces. **Do not** use cleaning agents that caution use on acrylic, polyester or plastics.



Single Threshold Shower Floors

SWANSTONE SHOWER FLOORS

With Fit-Flo™ Drain (continued)

Manufactured from Swanstone solid surface
(See page 2 for detailed information.)

WARRANTY
Limited Lifetime – Residential
Limited 10-year – Commercial

Recommended for high-use traffic areas and commercial surfaces.

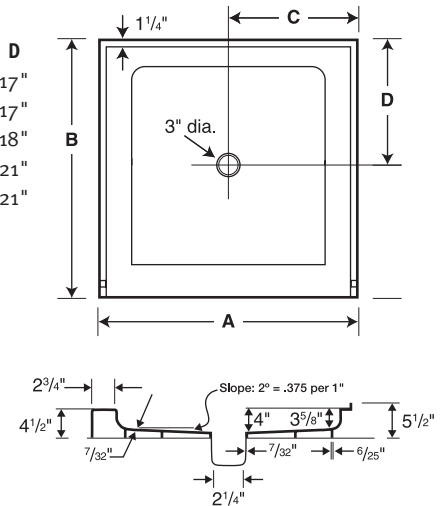
FEATURES

- Reinforced solid surface means color and texture run all the way through and cannot wear away.
- Will not mold or mildew, no grout to clean.
- Coordinates with Swanstone shower and bath systems.
- Pebbled, slip-resistant surface.

| Model | A | B | C | D |
|---------|-----|-----|-----|-----|
| SS-3454 | 54" | 34" | 27" | 17" |
| SS-3460 | 60" | 34" | 30" | 17" |
| SS-3636 | 36" | 36" | 18" | 18" |
| SS-4236 | 36" | 42" | 18" | 21" |
| SS-4242 | 42" | 42" | 21" | 21" |

| Model | Nominal Size | Rough-In Dimensions | | | |
|---------|--------------|---------------------|----------|----------|----------|
| | | A | B | C | D |
| SS-3454 | 34" x 54" | 54-3/8" | 34-3/16" | 27-3/16" | 17-3/16" |
| SS-3460 | 34" x 60" | 60-3/8" | 34-3/16" | 30-3/16" | 17-3/16" |
| SS-3636 | 36" x 36" | 36-3/8" | 36-3/16" | 18-3/16" | 18-3/16" |
| SS-4236 | 42" x 36" | 36-3/8" | 42-3/16" | 18-3/16" | 20-3/16" |
| SS-4242 | 42" x 42" | 42-3/8" | 42-3/16" | 21-3/16" | 21-3/16" |

IMPORTANT: Rough-in dimensions are provided for reference only. You must measure the actual shower floor and check local building code requirements before construction of the stud wall.



SPECIFICATIONS

Single Threshold Shower Floors With Fit-Flo™ Drain

| Model | Part | Nominal Size | Dimensions | Ship Wt. Lb. | Ship FedEx | Carton Dims. In. | Cu. Ft. |
|---------|-----------|---------------|---------------------|--------------|------------|------------------|---------|
| SS-3454 | SF03454MD | 34" D x 54" W | (864 mm x 1372 mm) | 55 | - | 60 x 40 x 10 | 14 |
| SS-3460 | SF03460MD | 34" D x 60" W | (864 mm x 1524 mm) | 54 | - | 69 x 40 x 10 | 16 |
| SS-3636 | SF03636MD | 36" D x 36" W | (914 mm x 914 mm) | 40 | - | 42 x 41 x 10 | 10 |
| SS-4236 | SF04236MD | 42" D x 36" W | (1067 mm x 914 mm) | 44 | - | 47 x 42 x 10 | 12 |
| SS-4242 | SF04242MD | 42" D x 42" W | (1067 mm x 1067 mm) | 53 | - | 48 x 48 x 10 | 14 |

Includes: One code-approved compression-molded Swanstone floor with molded-in Fit-Flo drain and installation instructions.

Packaging: Each floor packed in a rectangular carton.

STANDARDS AND RATINGS

American National Standard Institute—ANSI Z124.1.2

International Association of Plumbing and Mechanical Officials (IAPMO)—Listed

CSA Standard B45.5 by IAPMO

Uniform Plumbing Code (UPC)

For a complete list of tests and results see the Technical Data Sheet.

SUPPORT DOCUMENTS

Installation instructions available at swanstone.com.

MADE IN USA

COLORS

(See inside back cover for color sample.)

Solid Colors:

- White (010)
- Bone (037)
- Bisque (018)
- Bright White (137)
- Pearl (138)

Aggregate Colors:

- Acorn (123) 🍂
- Almond Galaxy (046)
- Arctic Granite (035)
- Baby's Breath (168)
- Barley (091)
- Bermuda Sand (040)
- Canyon (124) 🍂
- Caraway Seed (169)
- Cloud Bone (126)
- Cloud White (125)
- Cornflower (063)
- Glacier (121) 🍂

- Golden Steppe (128)
- Gray Granite (042)
- Ice (130)
- Indian Grass (071)
- Mountain Haze (129)
- Night Sky (012)
- Pebble (072)
- Prairie (122) 🍂
- Sierra (094)
- Tahiti Desert (050)
- Tahiti Gray (053)
- Tahiti Ivory (059)
- Tahiti Matrix (058)
- Tahiti Sand (051)
- Tahiti Terra (055)
- Tahiti White (011)
- Tundra (131)
- Winter Wheat (060)

MAINTENANCE AND CLEANING INFORMATION

Clean regularly with common household liquid cleaners and a sponge or soft cloth. For hard water stains, scale removers can be used. If necessary, abrasive cleaners can be used with a nylon brush or pad to remove build up on the shower floor surface. **Do not** use a metal-scouring pad or a wire brush, as it will damage the surface. **Do not** use "leave on" cleaning products, such as automatic spray shower cleaners. Prolonged contact with harsh chemicals could have an adverse reaction over time and discolor surfaces. **Do not** use cleaning agents that caution use on acrylic, polyester or plastics.



Retrofit Shower Floors

SWANSTONE SHOWER FLOORS

With Fit-Flo™ Drain

Manufactured from Swanstone solid surface
(See page 2 for detailed information.)

WARRANTY
Limited Lifetime – Residential
Limited 10-year – Commercial

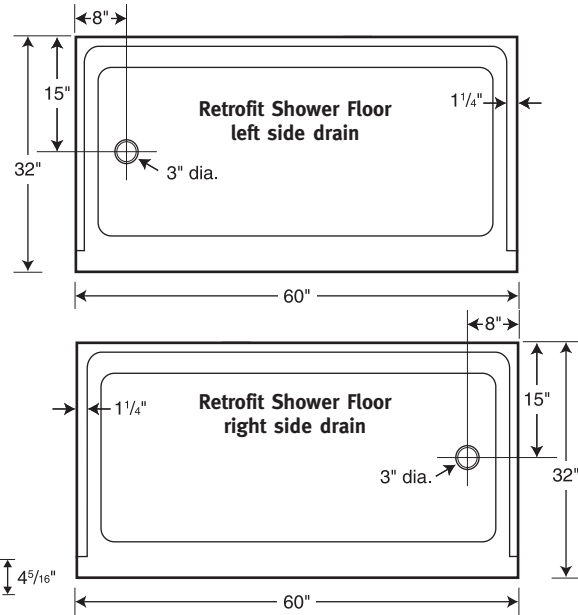
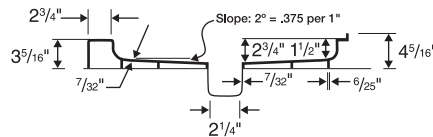
Recommended for high-use traffic areas and commercial surfaces.

FEATURES

- Reinforced solid surface means color and texture run all the way through and cannot wear away.
- Will not mold or mildew, no grout to clean.
- Coordinates with Swanstone shower and bath systems.
- Pebbled, slip-resistant surface.
- Without expensive plumbing re-work, this floor can be installed in the same area once occupied by a standard bathtub.

| Model | Nominal Size | Rough-In Dimensions | | | |
|--------------------------------|--------------|---------------------|----------|---------|----------|
| | | 60" | 32" | 8" | 15" |
| SR-3260L (Left-side drain) | 32" x 60" | 60-3/8" | 32-3/16" | 8-3/16" | 15-3/16" |
| SR-3260R (Right-side drain) | 32" x 60" | 60-3/8" | 32-3/16" | 8-3/16" | 15-3/16" |

IMPORTANT: Rough-in dimensions are provided for reference only. You must measure the actual shower floor and check local building code requirements before construction of the stud wall.



SPECIFICATIONS

Retrofit Shower Floors With Fit-Flo™ Drain

| Model | Part | Nominal Size | Dimensions | Ship Wt. Lb. | Ship FedEx | Carton Dims. In. | Cu. Ft. |
|----------|-----------|---------------|------------------------|--------------|------------|------------------|---------|
| SR-3260L | SR03260LM | 32" D x 60" W | (Retrofit left drain) | 59 | - | 66 x 37 x 10 | 15 |
| SR-3260R | SR03260RM | 32" D x 60" W | (Retrofit right drain) | 59 | - | 66 x 37 x 10 | 15 |

Includes: One code-approved compression-molded Swanstone floor with molded-in Fit-Flo drain and installation instructions.

Packaging: Each floor packed in a rectangular carton.

STANDARDS AND RATINGS

American National Standard Institute—ANSI Z124.1.2

International Association of Plumbing and Mechanical Officials (IAPMO)—Listed

CSA Standard B45.5 by IAPMO

Uniform Plumbing Code (UPC)

For a complete list of tests and results see the Technical Data Sheet.

SUPPORT DOCUMENTS

Installation instructions available at swanstone.com.

MADE IN USA

COLORS

(See inside back cover for color sample.)

Solid Colors:

- White (010)
- Bone (037)
- Bisque (018)
- Bright White (137)
- Pearl (138)

Aggregate Colors:

- Acorn (123)
- Almond Galaxy (046)
- Arctic Granite (035)
- Baby's Breath (168)
- Barley (091)
- Bermuda Sand (040)
- Canyon (124)
- Caraway Seed (169)
- Cloud Bone (126)
- Cloud White (125)
- Cornflower (063)
- Glacier (121)

- Golden Steppe (128)
- Gray Granite (042)
- Ice (130)
- Indian Grass (071)
- Mountain Haze (129)
- Night Sky (012)
- Pebble (072)
- Prairie (122)
- Sierra (094)
- Tahiti Desert (050)
- Tahiti Gray (053)
- Tahiti Ivory (059)
- Tahiti Matrix (058)
- Tahiti Sand (051)
- Tahiti Terra (055)
- Tahiti White (011)
- Tundra (131)
- Winter Wheat (060)

MAINTENANCE AND CLEANING INFORMATION

Clean regularly with common household liquid cleaners and a sponge or soft cloth. For hard water stains, scale removers can be used. If necessary, abrasive cleaners can be used with a nylon brush or pad to remove build up on the shower floor surface. **Do not** use a metal-scouring pad or a wire brush, as it will damage the surface. **Do not** use "leave on" cleaning products, such as automatic spray shower cleaners. Prolonged contact with harsh chemicals could have an adverse reaction over time and discolor surfaces. **Do not** use cleaning agents that caution use on acrylic, polyester or plastics.



Double Threshold and Neo Angle

SWANSTONE SHOWER FLOORS

With Fit-Flo™ Drain

Manufactured from Swanstone solid surface
(See page 2 for detailed information.)

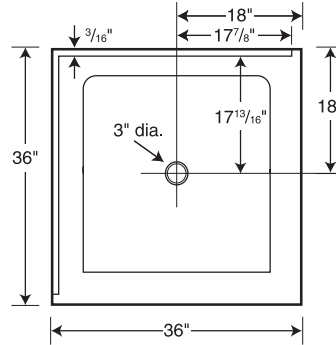
WARRANTY
Limited Lifetime – Residential
Limited 10-year – Commercial

Recommended for high-use traffic areas and commercial surfaces.

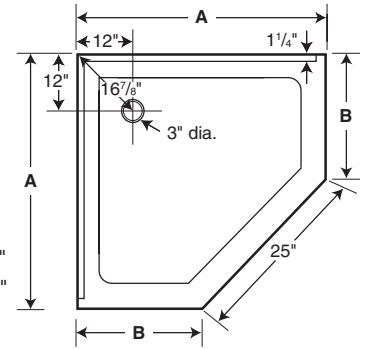
FEATURES

- Reinforced solid surface means color and texture run all the way through and cannot wear away.
- Will not mold or mildew, no grout to clean.
- Coordinates with Swanstone shower and bath systems.
- Pebbled, slip-resistant surface.

SS-36DTF
Double
Threshold

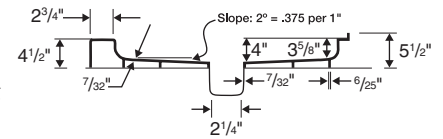


| Model | A | B |
|----------|-----|-----|
| SS-36NEO | 36" | 18" |
| SS-38NEO | 38" | 20" |



| Model | Nominal Size | Rough-In Dimensions | | | |
|----------|--------------|---------------------|----------|----------|----------|
| | | 36" | 36" | 18" | 18" |
| SS-36DTF | 36" x 36" | 36-1/16" | 36-1/16" | 18-3/16" | 18-3/16" |
| | | A | B | 25" | 12" |
| SS-36NEO | 36" x 36" | 36-1/8" | 18-3/16" | 25-1/8" | 12-3/16" |
| SS-38NEO | 38" x 38" | 38-1/8" | 20-3/16" | 25-1/8" | 12-3/16" |

IMPORTANT: Rough-in dimensions are provided for reference only. You must measure the actual shower floor and check local building code requirements before construction of the stud wall.



SPECIFICATIONS

Double Threshold and Neo Angle Shower Floors With Fit-Flo™ Drain

| Model | Part | Nominal Size Dimensions | Ship Wt. Lb. | Ship FedEx | Carton Dims. In. | Cu. Ft. |
|--------------------------------------|-----------|--|--------------|------------|------------------|---------|
| Double Threshold Shower Floor | | | | | | |
| SS-36DTF | SD03636MD | 36" D x 36" W DTF (914 mm x 914 mm) | 44 | - | 42 x 41 x 10 | 10 |
| Neo Angle Shower Floors | | | | | | |
| SS-36NEO | SN00036MD | 36" D x 36" W (914 mm x 914 mm) | 40 | - | 42 x 42 x 10 | 11 |
| SS-38NEO | SN00038MD | 38" D x 38" W (965 mm x 965 mm) | 44 | - | 44 x 43 x 10 | 11 |

Includes: One code-approved compression-molded Swanstone floor with molded-in Fit-Flo drain and installation instructions.

Packaging: Each floor packed in a rectangular carton.

STANDARDS AND RATINGS

American National Standard Institute—ANSI Z124.1.2

International Association of Plumbing and Mechanical Officials (IAPMO)—Listed

CSA Standard B45.5 by IAPMO

Uniform Plumbing Code (UPC)

For a complete list of tests and results see the Technical Data Sheet.

SUPPORT DOCUMENTS

Installation instructions available at swanstone.com.

MADE IN USA

COLORS

(See inside back cover for color sample.)

Solid Colors:

- White (010)
- Bone (037)
- Bisque (018)
- Bright White (137)
- Pearl (138)

Aggregate Colors:

- Acorn (123) 🍂
- Almond Galaxy (046)
- Arctic Granite (035)
- Baby's Breath (168)
- Barley (091)
- Bermuda Sand (040)
- Canyon (124) 🍂
- Caraway Seed (169)
- Cloud Bone (126)
- Cloud White (125)
- Cornflower (063)
- Glacier (121) 🍂

- Golden Steppe (128)
- Gray Granite (042)
- Ice (130)
- Indian Grass (071)
- Mountain Haze (129)
- Night Sky (012)
- Pebble (072)
- Prairie (122) 🍂
- Sierra (094)
- Tahiti Desert (050)
- Tahiti Gray (053)
- Tahiti Ivory (059)
- Tahiti Matrix (058)
- Tahiti Sand (051)
- Tahiti Terra (055)
- Tahiti White (011)
- Tundra (131)
- Winter Wheat (060)

MAINTENANCE AND CLEANING INFORMATION

Clean regularly with common household liquid cleaners and a sponge or soft cloth. For hard water stains, scale removers can be used. If necessary, abrasive cleaners can be used with a nylon brush or pad to remove build up on the shower floor surface. **Do not** use a metal-scouring pad or a wire brush, as it will damage the surface. **Do not** use "leave on" cleaning products, such as automatic spray shower cleaners. Prolonged contact with harsh chemicals could have an adverse reaction over time and discolor surfaces. **Do not** use cleaning agents that caution use on acrylic, polyester or plastics.



Barrier-Free Shower Floors

SWANSTONE SHOWER FLOORS

With Fit-Flo™ Drain

Manufactured from Swanstone solid surface
(See page 2 for detailed information.)

WARRANTY
Limited Lifetime – Residential
Limited 10-year – Commercial

Recommended for high-use traffic areas and commercial surfaces.

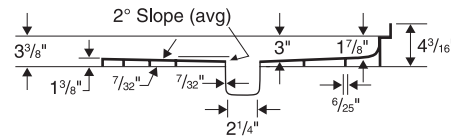
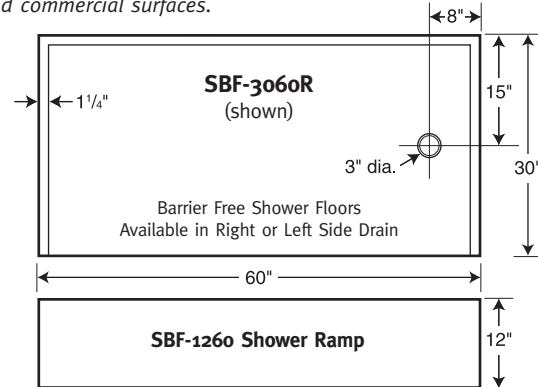
FEATURES

- Reinforced solid surface means color and texture run all the way through and cannot wear away.
- Will not mold or mildew, no grout to clean.
- Coordinates with Swanstone shower and bath systems.
- “S” pattern molded into floor provides a slip-resistant surface.



| Model | Nominal Size | Rough-In Dimensions | | | |
|---|--------------|---------------------|----------|---------|----------|
| | | 60" | 30" | 8" | 15" |
| SBF-3060L Barrier Free (left drain) | 30" x 60" | 60-3/8" | 30-3/16" | 8-3/16" | 15-3/16" |
| SBF-3060R Barrier Free (right drain) | 30" x 60" | 60-3/8" | 30-3/16" | 8-3/16" | 15-3/16" |

IMPORTANT: Rough-in dimensions are provided for reference only. You must measure the actual shower floor and check local building code requirements before construction of the stud wall. Meets ADA requirements for use in existing bathing facilities but not for new construction.



SPECIFICATIONS

Barrier Free Shower Floors With Fit-Flo™ Drain

| Model | Part | Nominal Size Dimensions | Ship Wt. Lb. | Ship FedEx | Carton Dims. In. | Cu. Ft. |
|-----------|-----------|---|--------------|------------|------------------|---------|
| SBF-3060L | SB03060LM | 30" D x 60" W (left drain) (762 mm x 1524 mm) | 64 | - | 66 x 36 x 10 | 14 |
| SBF-3060R | SB03060RM | 30" D x 60" W (right drain) (762 mm x 1524 mm) | 64 | - | 66 x 36 x 10 | 14 |
| BF-1260 | BF01260 | 12" D x 60" W (ramp) (305 mm x 1524 mm) | 25 | FedEx | 66 x 14 x 2 | 1.07 |

Includes: One code-approved compression-molded Swanstone floor with molded-in Fit-Flo drain and installation instructions.

Packaging: Each floor packed in a rectangular carton.

ACCESSORIES

See page 101 for complete listing of all Universal Design accessories.

STANDARDS AND RATINGS

American National Standard Institute—ANSI Z124.1.2

International Association of Plumbing and Mechanical Officials (IAPMO)—Listed

CSA Standard B45.5 by IAPMO

Uniform Plumbing Code (UPC)

For a complete list of tests and results see the Technical Data Sheet.

SUPPORT DOCUMENTS

Installation instructions available at swanstone.com.



COLORS

(See inside back cover for color sample.)

Solid Colors:

- White (010)
- Bone (037)
- Bisque (018)
- Bright White (137)
- Pearl (138)

Aggregate Colors:

- Acorn (123) 🍂
- Almond Galaxy (046)
- Arctic Granite (035)
- Baby's Breath (168)
- Barley (091)
- Bermuda Sand (040)
- Canyon (124) 🍂
- Caraway Seed (169)
- Cloud Bone (126)
- Cloud White (125)
- Cornflower (063)
- Glacier (121) 🍂

- Golden Steppe (128)
- Gray Granite (042)
- Ice (130)
- Indian Grass (071)
- Mountain Haze (129)
- Night Sky (012)
- Pebble (072)
- Prairie (122) 🍂
- Sierra (094)
- Tahiti Desert (050)
- Tahiti Gray (053)
- Tahiti Ivory (059)
- Tahiti Matrix (058)
- Tahiti Sand (051)
- Tahiti Terra (055)
- Tahiti White (011)
- Tundra (131)
- Winter Wheat (060)

MAINTENANCE AND CLEANING INFORMATION

Clean regularly with common household liquid cleaners and a sponge or soft cloth. For hard water stains, scale removers can be used. If necessary, abrasive cleaners can be used with a nylon brush or pad to remove build up on the shower floor surface. **Do not** use a metal-scouring pad or a wire brush, as it will damage the surface. **Do not** use “leave on” cleaning products, such as automatic spray shower cleaners. Prolonged contact with harsh chemicals could have an adverse reaction over time and discolor surfaces. **Do not** use cleaning agents that caution use on acrylic, polyester or plastics.



Barrier-Free Shower Floors

SWANSTONE SHOWER FLOORS

With Trough Drain

Manufactured from Swanstone solid surface
(See page 2 for detailed information.)

WARRANTY
Limited Lifetime – Residential
Limited 10-year – Commercial

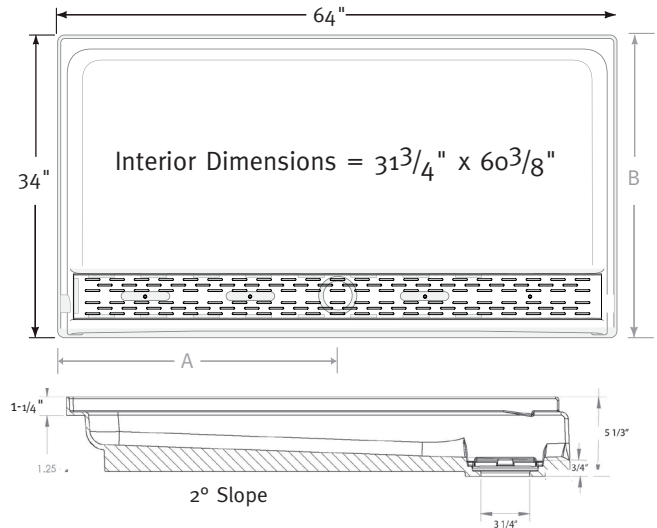
Recommended for high-use traffic areas and commercial surfaces.

FEATURES

- Low threshold provides easy access; no ramp required.
- Wide trough drain eliminates need for additional water dam.
- Sturdy 16-gauge stainless steel grate extends full width of floor for maximum drainage.
- No need to notch concrete or raise subfloor which provides a cost-saving, easy installation.
- Engineered for strength with molded-in structure supports.
- Slip-resistant surface for added safety.
- Reinforced solid surface will not mold or mildew, no grout to clean.



| Model | Nominal Size | Rough-In Dimensions | | | |
|--------------------------|--------------|---------------------|---------|----------|-----------|
| | | 64 | 34 | A | B |
| SBF-3464 Barrier-Free | 34" x 64" | 64-1/4" | 34-1/8" | 32-3/16" | 29-13/16" |



Trough system drains into standard 2" drain pipe.

IMPORTANT: Rough-in dimensions are provided for reference only. You must measure the actual shower floor and check local building code requirements before construction of the stud wall. Meets ADA requirements for use in new construction or existing bathing facilities.

SPECIFICATIONS

Barrier-Free Shower Floor With Trough Drain

| Model | Part | Nominal Size Dimensions | Ship | | | Cu. Ft. |
|----------|---------|-------------------------------------|---------|-------|------------------|---------|
| | | | Wt. Lb. | FedEx | Carton Dims. In. | |
| SBF-3464 | SB03464 | 34" D x 64" W (864 mm x 1626 mm) | 70 | - | 69 x 39 x 10 | 15.18 |

Includes: One code-approved compression-molded Swanstone floor with trough drain and installation instructions.

Packaging: Each floor packed in a rectangular carton.

Note: This product meets the dimensional requirements to allow for installation in ADA applications. For up-to-date ADA regulations, visit ADA.gov.

ACCESSORIES

See page 101 for complete listing of all Universal Design accessories.

STANDARDS AND RATINGS

American National Standard Institute—ANSI Z124.1.2

International Association of Plumbing and Mechanical Officials (IAPMO)—Listed

CSA Standard B45.5 by IAPMO

Uniform Plumbing Code (UPC)

For a complete list of tests and results see the Technical Data Sheet.

SUPPORT DOCUMENTS

Installation instructions available at swanstone.com.

COLORS

(See inside back cover for color sample.)

Solid Colors:

- White (010)
- Bone (037)
- Bisque (018)
- Bright White (137)
- Pearl (138)

Aggregate Colors:

- Acorn (123) 🍂
- Almond Galaxy (046)
- Arctic Granite (035)
- Baby's Breath (168)
- Barley (091)
- Bermuda Sand (040)
- Canyon (124) 🍂
- Caraway Seed (169)
- Cloud Bone (126)
- Cloud White (125)
- Cornflower (063)
- Glacier (121) 🍂

- Golden Steppe (128)
- Gray Granite (042)
- Ice (130)
- Indian Grass (071)
- Mountain Haze (129)
- Night Sky (012)
- Pebble (072)
- Prairie (122) 🍂
- Sierra (094)
- Tahiti Desert (050)
- Tahiti Gray (053)
- Tahiti Ivory (059)
- Tahiti Matrix (058)
- Tahiti Sand (051)
- Tahiti Terra (055)
- Tahiti White (011)
- Tundra (131)
- Winter Wheat (060)

MAINTENANCE AND CLEANING INFORMATION

Clean regularly with common household liquid cleaners and a sponge or soft cloth. For hard water stains, scale removers can be used. If necessary, abrasive cleaners can be used with a nylon brush or pad to remove build up on the shower floor surface. **Do not** use a metal-scouring pad or a wire brush, as it will damage the surface. **Do not** use "leave on" cleaning products, such as automatic spray shower cleaners. Prolonged contact with harsh chemicals could have an adverse reaction over time and discolor surfaces. **Do not** use cleaning agents that caution use on acrylic, polyester or plastics.



Transfer Shower Floors

SWANSTONE SHOWER FLOORS

With Fit-Flo™ Drain

Manufactured from Swanstone solid surface
(See page 2 for detailed information.)

WARRANTY
Limited Lifetime – Residential
Limited 10-year – Commercial

Recommended for high-use traffic areas and commercial surfaces.

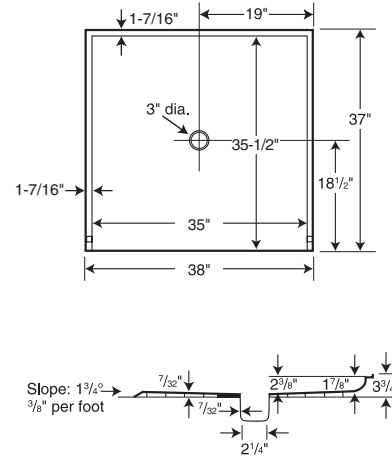
FEATURES

- Reinforced solid surface means color and texture run all the way through and cannot wear away.
- Will not mold or mildew, no grout to clean.
- Coordinates with Swanstone shower and bath systems.
- “S” pattern molded into floor provides a slip-resistant surface.



| Model | Nominal Size | Rough-In Dimensions | | | |
|--------------------------------|--------------|---------------------|----------|----------|----------|
| | | 38" | 37" | 19" | 18-1/2" |
| STS-3738 Shower Transfer Floor | 37" x 38" | 38-3/8" | 37-3/16" | 19-3/16" | 18-9/16" |

IMPORTANT: Rough-in dimensions are provided for reference only. You must measure the actual shower floor and check local building code requirements before construction of the stud wall.



SPECIFICATIONS

Transfer Shower Floors With Fit-Flo™ Drain

| Model | Part | Nominal Size Dimensions | Ship Wt. Lb. | Ship FedEx | Carton Dims. In. | Cu. Ft. |
|----------|-----------|------------------------------------|--------------|------------|------------------|---------|
| STS-3738 | SF03738MD | 37" D x 38" W (940 mm x 965 mm) | 46 | - | 45 X 43 X 10 | 12 |

Includes: One code-approved compression-molded Swanstone floor with molded-in Fit-Flo drain and installation instructions.
Packaging: Each floor packed in a rectangular carton.

ACCESSORIES

See page 101 for complete listing of all Universal Design accessories.

STANDARDS AND RATINGS

American National Standard Institute—ANSI Z124.1.2
International Association of Plumbing and Mechanical Officials (IAPMO)—Listed
CSA Standard B45.5 by IAPMO
Uniform Plumbing Code (UPC)

For a complete list of tests and results see the Technical Data Sheet.

SUPPORT DOCUMENTS

Installation instructions available at swanstone.com.



COLORS

(See inside back cover for color sample.)

Solid Colors:

- White (010)
- Bone (037)
- Bisque (018)
- Bright White (137)
- Pearl (138)

Aggregate Colors:

- Acorn (123) 🍂
- Almond Galaxy (046)
- Arctic Granite (035)
- Baby's Breath (168)
- Barley (091)
- Bermuda Sand (040)
- Canyon (124) 🍂
- Caraway Seed (169)
- Cloud Bone (126)
- Cloud White (125)
- Cornflower (063)
- Glacier (121) 🍂

- Golden Steppe (128)
- Gray Granite (042)
- Ice (130)
- Indian Grass (071)
- Mountain Haze (129)
- Night Sky (012)
- Pebble (072)
- Prairie (122) 🍂
- Sierra (094)
- Tahiti Desert (050)
- Tahiti Gray (053)
- Tahiti Ivory (059)
- Tahiti Matrix (058)
- Tahiti Sand (051)
- Tahiti Terra (055)
- Tahiti White (011)
- Tundra (131)
- Winter Wheat (060)

MAINTENANCE AND CLEANING INFORMATION

Clean regularly with common household liquid cleaners and a sponge or soft cloth. For hard water stains, scale removers can be used. If necessary, abrasive cleaners can be used with a nylon brush or pad to remove build up on the shower floor surface. **Do not** use a metal-scouring pad or a wire brush, as it will damage the surface. **Do not** use “leave on” cleaning products, such as automatic spray shower cleaners. Prolonged contact with harsh chemicals could have an adverse reaction over time and discolor surfaces. **Do not** use cleaning agents that caution use on acrylic, polyester or plastics.



Retrofit Shower Floors

With Fit-Flo™ Drain

Manufactured from Veritek®
(See page 2 for detailed information.)

Veritek® SHOWER FLOORS

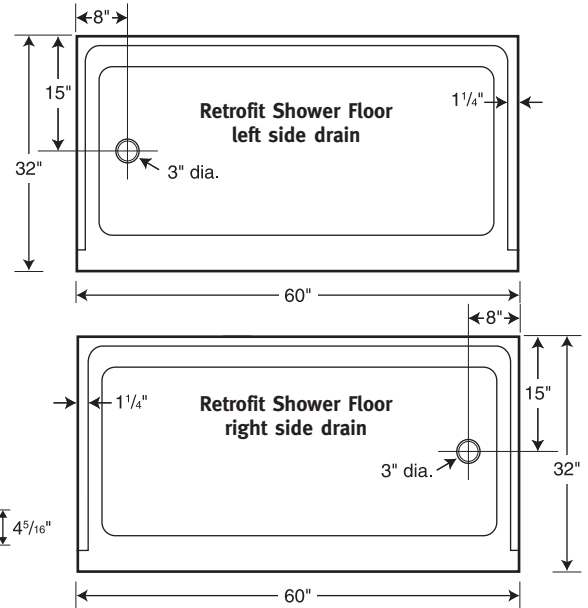
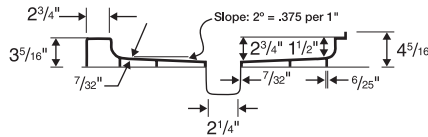
WARRANTY
Limited Lifetime – Residential
Limited 5-year – Commercial

FEATURES

- Will not mold or mildew, no grout to clean.
- Coordinates with other Swanstone or Veritek® products.
- Pebbled, slip-resistant surface.
- Made of Veritek® with no surface coating to chip or crack.
- Without expensive plumbing re-work, this floor can be installed in the same space once occupied by a standard bathtub.

| Model | Nominal Size | Rough-In Dimensions | | | |
|---------------------------|--------------|---------------------|----------|---------|----------|
| | | 60" | 32" | 8" | 15" |
| FR-3260L (Left Drain) | 32" x 60" | 60-3/8" | 32-3/16" | 8-3/16" | 15-3/16" |
| FR-3260R (Right Drain) | 32" x 60" | 60-3/8" | 32-3/16" | 8-3/16" | 15-3/16" |

IMPORTANT: Rough-in dimensions are provided for reference only. You must measure the actual shower floor and check local building code requirements before construction of the stud wall.



SPECIFICATIONS

Retrofit Shower Floors With Fit-Flo™ Drain

| Model | Part | Nominal Size Dimensions | Ship Wt. Lb. | Ship FedEx | Carton Dims. In. | Cu. Ft. |
|---------------------------|----------|-------------------------------------|--------------|------------|------------------|---------|
| FR-3260L (Left Drain) | FR3260LM | 32" D x 60" W (813 mm x 1524 mm) | 56 | - | 66 x 37 x 10 | 15 |
| FR-3260R (Right Drain) | FR3260RM | 32" D x 60" W (813 mm x 1524 mm) | 56 | - | 66 x 37 x 10 | 15 |

Includes: One code-approved compression-molded Veritek® shower floor with molded-in Fit-Flo drain and installation instructions.

Packaging: Each floor packed in a rectangular carton.

COLORS

(See inside back cover for color sample.)

- White (010)
- Bone (037)
- Bisque (018)
- Bright White (137)
- Pearl (138)

STANDARDS AND RATINGS

American National Standard Institute—ANSI Z124.1.2

International Association of Plumbing and Mechanical Officials (IAPMO)—Listed

CSA Standard B45.5 by IAPMO

Uniform Plumbing Code (UPC)

For a complete list of tests and results see the Technical Data Sheet.

SUPPORT DOCUMENTS

Installation instructions available at swanstone.com.

MAINTENANCE AND CLEANING INFORMATION

Clean regularly with common household liquid cleaners and a sponge or soft cloth. For hard water stains, scale removers can be used. If necessary, abrasive cleaners can be used with a nylon brush or pad to remove build up on the shower floor surface. **Do not** use a metal-scouring pad or a wire brush, as it will damage the surface. **Do not** use "leave on" cleaning products, such as automatic spray shower cleaners. Prolonged contact with harsh chemicals could have an adverse reaction over time and discolor surfaces. **Do not** use cleaning agents that caution use on acrylic, polyester or plastics.

MADE IN USA



Single Threshold Shower Floors

With Fit-Flo™ Drain

Manufactured from Veritek®
(See page 2 for detailed information.)

Veritek® SHOWER FLOORS

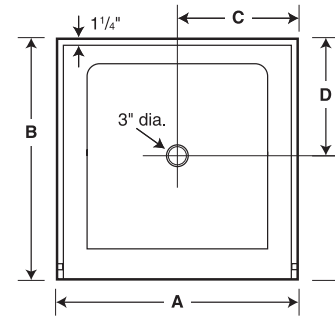
WARRANTY
Limited Lifetime – Residential
Limited 5-year – Commercial

FEATURES

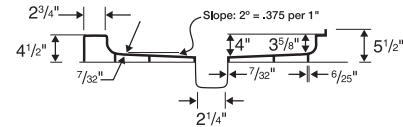
- Will not mold or mildew, no grout to clean.
- Coordinates with other Swanstone or Veritek® products.
- Pebbled, slip-resistant surface.
- Made of Veritek® with no surface coating to chip or crack.

| Model | Nominal Size | Rough-In Dimensions | | | |
|--------|--------------|---------------------|----------|----------|----------|
| | | A | B | C | D |
| R-3232 | 32" x 32" | 32-3/8" | 32-3/16" | 16-3/16" | 16-3/16" |
| R-3248 | 32" x 48" | 48-3/8" | 32-3/16" | 24-3/16" | 16-3/16" |
| R-3260 | 32" x 60" | 60-3/8" | 32-3/16" | 30-3/16" | 16-3/16" |
| R-3442 | 34" x 42" | 42-3/8" | 34-3/16" | 21-3/16" | 17-3/16" |
| R-3448 | 34" x 48" | 48-3/8" | 34-3/16" | 24-3/16" | 17-3/16" |
| R-3454 | 34" x 54" | 54-3/8" | 34-3/16" | 27-3/16" | 17-3/16" |
| R-3460 | 34" x 60" | 60-3/8" | 34-3/16" | 30-3/16" | 17-3/16" |
| R-3636 | 36" x 36" | 36-3/8" | 36-3/16" | 18-3/16" | 18-3/16" |
| R-4236 | 42" x 36" | 36-3/8" | 42-3/16" | 18-3/16" | 20-3/16" |
| R-4242 | 42" x 42" | 42-3/8" | 42-3/16" | 21-3/16" | 21-3/16" |

| Model | A | B | C | D |
|--------|-----|-----|-----|-----|
| R-3232 | 32" | 32" | 16" | 16" |
| R-3248 | 48" | 32" | 24" | 16" |
| R-3260 | 60" | 32" | 30" | 16" |
| R-3442 | 42" | 34" | 21" | 17" |
| R-3448 | 48" | 34" | 24" | 17" |
| R-3454 | 54" | 34" | 27" | 17" |
| R-3460 | 60" | 34" | 30" | 17" |
| R-3636 | 36" | 36" | 18" | 18" |
| R-4236 | 36" | 42" | 18" | 20" |
| R-4242 | 42" | 42" | 21" | 21" |



IMPORTANT: Rough-in dimensions are provided for reference only. You must measure the actual shower floor and check local building code requirements before construction of the stud wall.



SPECIFICATIONS

Single Threshold Shower Floors With Fit-Flo™ Drain

| Model | Part | Nominal Size Dimensions | Ship Wt. Lb. | Ship FedEx | Carton Dims. In. | Cu. Ft. |
|--------|-----------|---|--------------|------------|------------------|---------|
| R-3232 | FF03232MD | 32" D x 32" W (813 mm x 813 mm) | 32 | – | 38 x 37 x 10 | 9 |
| R-3248 | FF03248MD | 32" D x 48" W (813 mm x 1219 mm) | 49 | – | 54 x 38 x 10 | 12 |
| R-3260 | FF03260MD | 32" D x 60" W (813 mm x 1524 mm) - Center drain | 56 | – | 66 x 37 x 10 | 15 |
| R-3442 | FF03442MD | 34" D x 42" W (864 mm x 1067 mm) | 46 | – | 48 x 40 x 10 | 12 |
| R-3448 | FF03448MD | 34" D x 48" W (864 mm x 1219 mm) | 47 | – | 54 x 39 x 10 | 13 |
| R-3454 | FF03454MD | 34" D x 54" W (864 mm x 1372 mm) | 55 | – | 60 x 40 x 10 | 14 |
| R-3460 | FF03460MD | 34" D x 60" W (864 mm x 1524 mm) | 63 | – | 66 x 40 x 10 | 16 |
| R-3636 | FF03636MD | 36" D x 36" W (914 mm x 914 mm) | 40 | – | 42 x 41 x 10 | 10 |
| R-4236 | FF04236MD | 42" D x 36" W (1067 mm x 914 mm) | 44 | – | 47 x 42 x 10 | 12 |
| R-4242 | FF04242MD | 42" D x 42" W (1067 mm x 1067 mm) | 53 | – | 48 x 48 x 10 | 14 |

Includes: One code-approved compression-molded Veritek® shower floor with molded-in Fit-Flo drain and installation instructions.

Packaging: Each floor packed in a rectangular carton.

STANDARDS AND RATINGS

American National Standard Institute—ANSI Z124.1.2
International Association of Plumbing and Mechanical Officials (IAPMO)—Listed
CSA Standard B45.5 by IAPMO
Uniform Plumbing Code (UPC)

For a complete list of tests and results see the Technical Data Sheet.

SUPPORT DOCUMENTS

Installation instructions available at swanstone.com.

COLORS

(See inside back cover for color sample.)

- White (010)
- Bisque (018)
- Pearl (138)
- Bone (037)
- Bright White (137)

MAINTENANCE AND CLEANING INFORMATION

Clean regularly with common household liquid cleaners and a sponge or soft cloth. For hard water stains, scale removers can be used. If necessary, abrasive cleaners can be used with a nylon brush or pad to remove build up on the shower floor surface. **Do not** use a metal-scouring pad or a wire brush, as it will damage the surface. **Do not** use "leave on" cleaning products, such as automatic spray shower cleaners. Prolonged contact with harsh chemicals could have an adverse reaction over time and discolor surfaces. **Do not** use cleaning agents that caution use on acrylic, polyester or plastics.

MADE IN USA



Double Threshold Shower Floors

With Fit-Flo™ Drain

Manufactured from Veritek®
(See page 2 for detailed information.)

Veritek® SHOWER FLOORS

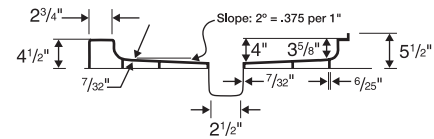
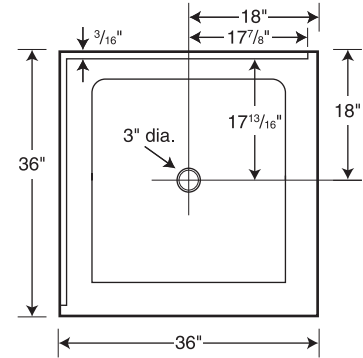
WARRANTY
Limited Lifetime – Residential
Limited 5-year – Commercial

FEATURES

- Will not mold or mildew, no grout to clean.
- Coordinates with other Swanstone or Veritek® products.
- Pebbled, slip-resistant surface.
- Made of Veritek® with no surface coating to chip or crack.

| Model | Nominal Size | Rough-In Dimensions | | | |
|---------|--------------|---------------------|----------|----------|----------|
| | | 36" | 36" | 18" | 18" |
| R-36DTF | 36" x 36" | 36-1/16" | 36-1/16" | 18-3/16" | 18-3/16" |

IMPORTANT: Rough-in dimensions are provided for reference only. You must measure the actual shower floor and check local building code requirements before construction of the stud wall.



SPECIFICATIONS

Double Threshold Shower Floors With Fit-Flo™ Drain

| Model | Part | Nominal Size Dimensions | Ship Wt. Lb. | Ship FedEx | Carton Dims. In. | Cu. Ft. |
|---------|-----------|------------------------------------|--------------|------------|------------------|---------|
| R-36DTF | FD03636MD | 36" D x 36" W (914 mm x 914 mm) | 44 | - | 42 x 41 x 10 | 10 |

Includes: One code-approved compression-molded Veritek® shower floor with molded-in Fit-Flo drain and installation instructions.

Packaging: Each floor packed in a rectangular carton.

COLORS

(See inside back cover for color sample.)

- White (010)
- Bone (037)
- Bisque (018)
- Bright White (137)
- Pearl (138)

STANDARDS AND RATINGS

American National Standard Institute—ANSI Z124.1.2
International Association of Plumbing and Mechanical Officials (IAPMO)—Listed
CSA Standard B45.5 by IAPMO
Uniform Plumbing Code (UPC)

For a complete list of tests and results see the Technical Data Sheet.

SUPPORT DOCUMENTS

Installation instructions available at swanstone.com.

MAINTENANCE AND CLEANING INFORMATION

Clean regularly with common household liquid cleaners and a sponge or soft cloth. For hard water stains, scale removers can be used. If necessary, abrasive cleaners can be used with a nylon brush or pad to remove build up on the shower floor surface. **Do not** use a metal-scouring pad or a wire brush, as it will damage the surface. **Do not** use "leave on" cleaning products, such as automatic spray shower cleaners. Prolonged contact with harsh chemicals could have an adverse reaction over time and discolor surfaces. **Do not** use cleaning agents that caution use on acrylic, polyester or plastics.

MADE IN USA



NEO Angle Shower Floors

With Fit-Flo™ Drain

Manufactured from Veritek®
(See page 2 for detailed information.)

Veritek® SHOWER FLOORS

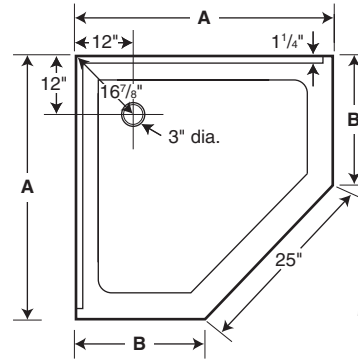
WARRANTY
Limited Lifetime – Residential
Limited 5-year – Commercial

FEATURES

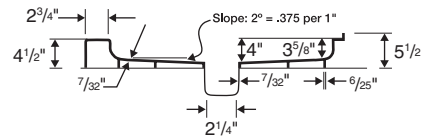
- Will not mold or mildew, no grout to clean.
- Coordinates with other Swanstone or Veritek® products.
- Pebbled, slip-resistant surface.
- Made of Veritek® with no surface coating to chip or crack.

| Model | Nominal Size | Rough-In Dimensions | | | |
|---------|--------------|---------------------|----------|---------|----------|
| | | A | B | 25" | 12" |
| R-36NEO | 36" x 36" | 36-1/8" | 18-3/16" | 25-1/8" | 12-3/16" |
| R-38NEO | 38" x 38" | 38-1/8" | 20-3/16" | 25-1/8" | 12-3/16" |

IMPORTANT: Rough-in dimensions are provided for reference only. You must measure the actual shower floor and check local building code requirements before construction of the stud wall.



| Model | A | B |
|----------|-----|-----|
| R-36 NEO | 36" | 18" |
| R-38 NEO | 38" | 20" |



SPECIFICATIONS

NEO Angle Shower Floors With Fit-Flo™ Drain

| Model | Part | Nominal Size Dimensions | Ship Wt. Lb. | Ship FedEx | Carton Dims. In. | Cu. Ft. |
|---------|-----------|------------------------------------|--------------|------------|------------------|---------|
| R-36NEO | FN00036MD | 36" D x 36" W (914 mm x 914 mm) | 40 | - | 42 x 42 x 10 | 11 |
| R-38NEO | FN00038MD | 38" D x 38" W (965 mm x 965 mm) | 44 | - | 44 x 43 x 10 | 11 |

Includes: One code-approved compression-molded Veritek® shower floor with molded-in Fit-Flo drain and installation instructions.

Packaging: Each floor packed in a rectangular carton.

STANDARDS AND RATINGS

American National Standard Institute—ANSI Z124.1.2
International Association of Plumbing and Mechanical Officials (IAPMO)—Listed
CSA Standard B45.5 by IAPMO
Uniform Plumbing Code (UPC)

For a complete list of tests and results see the Technical Data Sheet.

SUPPORT DOCUMENTS

Installation instructions available at swanstone.com.

MADE IN USA

COLORS

(See inside back cover for color sample.)

- White (010)
- Bone (037)
- Bisque (018)
- Bright White (137)
- Pearl (138)

MAINTENANCE AND CLEANING INFORMATION

Clean regularly with common household liquid cleaners and a sponge or soft cloth. For hard water stains, scale removers can be used. If necessary, abrasive cleaners can be used with a nylon brush or pad to remove build up on the shower floor surface. **Do not** use a metal-scouring pad or a wire brush, as it will damage the surface. **Do not** use "leave on" cleaning products, such as automatic spray shower cleaners. Prolonged contact with harsh chemicals could have an adverse reaction over time and discolor surfaces. **Do not** use cleaning agents that caution use on acrylic, polyester or plastics.



Barrier-Free Shower Floors

With Fit-Flo™ Drain

Manufactured from Veritek®
(See page 2 for detailed information.)

Veritek® SHOWER FLOORS

WARRANTY
Limited Lifetime – Residential
Limited 5-year – Commercial

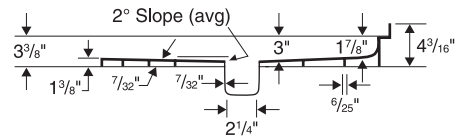
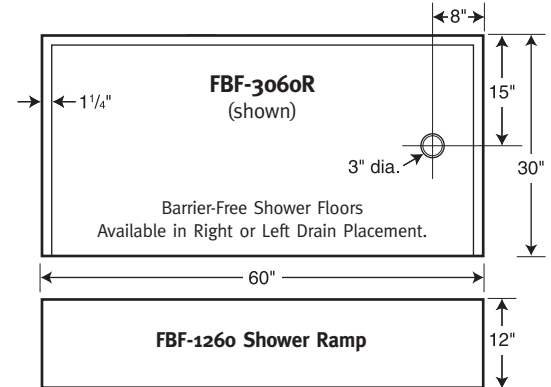
FEATURES

- Will not mold or mildew, no grout to clean.
- Coordinates with other Swanstone or Veritek® shower and bath systems.
- “S” pattern molded into floor provides a slip-resistant surface.
- Made of Veritek® with no surface coating to chip or crack.
- Can be recessed for flush mounting or can be used with a ramp.

Universal Design 

| Model | Nominal Size | Rough-In Dimensions | | | |
|--|--------------|---------------------|----------|---------|----------|
| | | 60" | 30" | 8" | 15" |
| FBF-3060L Barrier Free (left side drain) | 30" x 60" | 60-3/8" | 30-3/16" | 8-3/16" | 15-3/16" |
| FBF-3060R Barrier Free (right side drain) | 30" x 60" | 60-3/8" | 30-3/16" | 8-3/16" | 15-3/16" |

IMPORTANT: Rough-in dimensions are provided for reference only. You must measure the actual shower floor and check local building code requirements before construction of the stud wall. Meets ADA requirements for use in existing bathing facilities, but not for new construction.



SPECIFICATIONS

Barrier-Free Shower Floors With Fit-Flo™ Drain

| Model | Part | Nominal Size Dimensions | Ship Wt. Lb. | Ship FedEx | Carton Dims. In. | Cu. Ft. |
|----------------------------|-----------|--|--------------|------------|------------------|---------|
| FBF-3060L (Left Drain) | FB03060LM | 30" D x 60" W (762 mm x 1524 mm) | 64 | - | 66 x 36 x 10 | 14 |
| FBF-3060R (Right Drain) | FB03060RM | 30" D x 60" W (762 mm x 1524 mm) | 64 | - | 66 x 36 x 10 | 14 |
| FBF-1260 | FB01260 | 12" D x 60" W – Ramp (306 mm x 1524 mm) | 25 | - | 66 x 14 x 2 | 1.07 |

Includes: One code-approved compression-molded Veritek® shower floor with molded-in Fit-Flo drain and installation instructions.

Packaging: Each floor packed in a rectangular carton.

ACCESSORIES

See page 101 for complete listing of all Universal Design accessories.

STANDARDS AND RATINGS

American National Standard Institute—ANSI Z124.1.2

International Association of Plumbing and Mechanical Officials (IAPMO)—Listed

CSA Standard B45.5 by IAPMO

Uniform Plumbing Code (UPC)

For a complete list of tests and results see the Technical Data Sheet.

SUPPORT DOCUMENTS

Installation instructions available at swanstone.com.

 MADE IN USA

COLORS

(See inside back cover for color sample.)

- White (010)
- Bone (037)
- Bisque (018)
- Bright White (137)
- Pearl (138)

MAINTENANCE AND CLEANING INFORMATION

Clean regularly with common household liquid cleaners and a sponge or soft cloth. For hard water stains, scale removers can be used. If necessary, abrasive cleaners can be used with a nylon brush or pad to remove build up on the shower floor surface. **Do not** use a metal-scouring pad or a wire brush, as it will damage the surface. **Do not** use “leave on” cleaning products, such as automatic spray shower cleaners. Prolonged contact with harsh chemicals could have an adverse reaction over time and discolor surfaces. **Do not** use cleaning agents that caution use on acrylic, polyester or plastics.



Barrier-Free Shower Floors

With Trough Drain

Manufactured from Veritek®
(See page 2 for detailed information.)

Veritek® SHOWER FLOORS

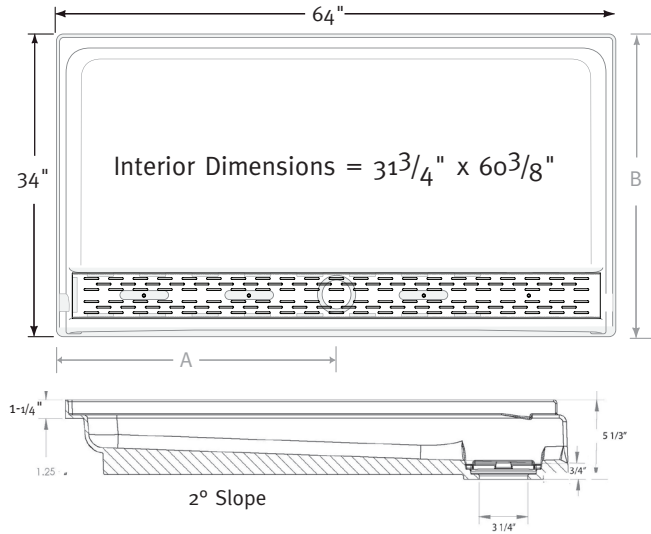
WARRANTY
Limited Lifetime – Residential
Limited 5-year – Commercial

FEATURES

- Low threshold provides easy access; no ramp required.
- Wide trough drain eliminates need for additional water dam.
- Stainless steel grate extends full width of floor for maximum drainage.
- Easy to install; does not require notching concrete or raising subfloor.
- Engineered for strength with molded-in structure supports.
- Slip-resistant surface for added safety.
- Made of Veritek® with no surface coating to chip or crack, no grout to clean.



| Model | Nominal Size | Rough-In Dimensions | | | |
|--------------------------|--------------|---------------------|---------|----------|-----------|
| | | 64 | 34 | A | B |
| FBF-3464 Barrier Free | 34" x 64" | 64-1/4" | 34-1/8" | 32-3/16" | 29-13/16" |



Trough system drains into standard 2" drain pipe.

IMPORTANT: Rough-in dimensions are provided for reference only. You must measure the actual shower floor and check local building code requirements before construction of the stud wall. Meets ADA requirements for use in new construction or existing bathing facilities.

SPECIFICATIONS

Barrier-Free Shower Floor With Trough Drain

| Model | Part | Nominal Size Dimensions | Ship Wt. Lb. | Ship FedEx | Carton Dims. In. | Cu. Ft. |
|----------|---------|-------------------------------------|--------------|------------|------------------|---------|
| FBF-3464 | FB03464 | 34" D x 64" W (864 mm x 1626 mm) | 70 | - | 69 x 39 x 10 | 15.18 |

Includes: One code-approved compression-molded Veritek® shower floor with trough drain and installation instructions.

Packaging: Each floor packed in a rectangular carton.

Note: This product meets the dimensional requirements to allow for installation in ADA applications. For up-to-date ADA regulations, visit (ADA.gov).

ACCESSORIES

See page 101 for complete listing of all Universal Design accessories.

STANDARDS AND RATINGS

American National Standard Institute—ANSI Z124.1.2

International Association of Plumbing and Mechanical Officials (IAPMO)—Listed

CSA Standard B45.5 by IAPMO

Uniform Plumbing Code (UPC)

For a complete list of tests and results see the Technical Data Sheet.

SUPPORT DOCUMENTS

Installation instructions available at swanstone.com.



COLORS

(See inside back cover for color sample.)

- White (010)
- Bone (037)
- Bisque (018)
- Bright White (137)
- Pearl (138)

MAINTENANCE AND CLEANING INFORMATION

Clean regularly with common household liquid cleaners and a sponge or soft cloth. For hard water stains, scale removers can be used. If necessary, abrasive cleaners can be used with a nylon brush or pad to remove build up on the shower floor surface. **Do not** use a metal-scouring pad or a wire brush, as it will damage the surface. **Do not** use "leave on" cleaning products, such as automatic spray shower cleaners. Prolonged contact with harsh chemicals could have an adverse reaction over time and discolor surfaces. **Do not** use cleaning agents that caution use on acrylic, polyester or plastics.



Transfer Shower Floors

With Fit-Flo™ Drain

Manufactured from Veritek®
(See page 2 for detailed information.)

Veritek® SHOWER FLOORS

WARRANTY
Limited Lifetime – Residential
Limited 5-year – Commercial

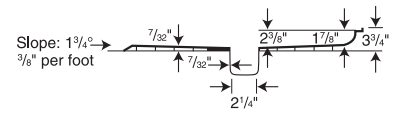
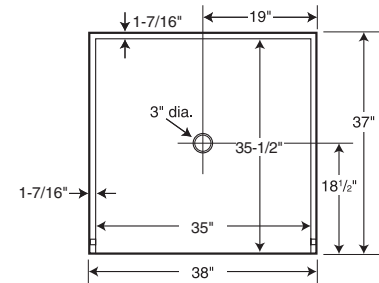
FEATURES

- Will not mold or mildew, no grout to clean.
- Coordinates with Swanstone or Veritek® shower and bath systems.
- “S” pattern molded into floor provides a slip-resistant surface.
- Made of Veritek® with no surface coating to chip or crack.



| Model | Nominal Size | Rough-In Dimensions | | | |
|-----------------------------------|--------------|---------------------|----------|----------|----------|
| | | 38" | 37" | 19" | 18-1/2" |
| FTS-3738 Shower Transfer Floor | 37" x 38" | 38-3/8" | 37-3/16" | 19-3/16" | 18-9/16" |

IMPORTANT: Rough-in dimensions are provided for reference only. You must measure the actual shower floor and check local building code requirements before construction of the stud wall.



SPECIFICATIONS

Transfer Shower Floors With Fit-Flo™ Drain

| Model | Part | Nominal Size Dimensions | Ship Wt. Lb. | Ship FedEx | Carton Dims. In. | Cu. Ft. |
|----------|-----------|------------------------------------|--------------|------------|------------------|---------|
| FTS-3738 | FF03738MD | 37" D x 38" W (940 mm x 965 mm) | 46 | - | 45 x 43 x 10 | 12 |

Includes: One code-approved compression-molded Veritek® shower floor with molded-in Fit-Flo drain and installation instructions.

Packaging: Each floor packed in a rectangular carton.

COLORS

(See inside back cover for color sample.)

- White (010)
- Bone (037)
- Bisque (018)
- Bright White (137)
- Pearl (138)

ACCESSORIES

See page 101 for complete listing of all Universal Design accessories.

STANDARDS AND RATINGS

American National Standard Institute—ANSI Z124.1.2

International Association of Plumbing and Mechanical Officials (IAPMO)—Listed

CSA Standard B45.5 by IAPMO

Uniform Plumbing Code (UPC)

For a complete list of tests and results see the Technical Data Sheet.

SUPPORT DOCUMENTS

Installation instructions available at swanstone.com.

MADE IN USA

MAINTENANCE AND CLEANING INFORMATION

Clean regularly with common household liquid cleaners and a sponge or soft cloth. For hard water stains, scale removers can be used. If necessary, abrasive cleaners can be used with a nylon brush or pad to remove build up on the shower floor surface. **Do not** use a metal-scouring pad or a wire brush, as it will damage the surface. **Do not** use “leave on” cleaning products, such as automatic spray shower cleaners. Prolonged contact with harsh chemicals could have an adverse reaction over time and discolor surfaces. **Do not** use cleaning agents that caution use on acrylic, polyester or plastics.



Shower Floor Threshold (34" Models)

SHOWER FLOORS

Manufactured from Swanstone solid surface and Veritek®

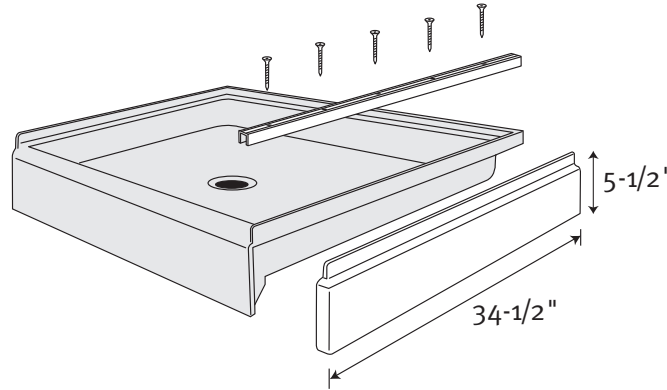
(See page 2 for detailed information.)

FEATURES

SWANSTONE

- Reinforced solid surface means color and texture run all the through and cannot wear away.
- Will not mold or mildew, no grout to clean.
- Coordinates with Swanstone shower systems.
- Designed to convert 34-inch deep, or smaller, Swanstone single threshold shower floor to a double threshold shower floor.

Recommended for high-use traffic areas and commercial surfaces.



Shower Floor Threshold For All 34-inch Models

FEATURES

Veritek®

- Will not mold or mildew, no grout to clean.
- Coordinates with Swanstone or Veritek® shower systems.
- Made of Veritek® with no surface coating to chip or crack.
- Designed to convert 34-inch deep, or smaller, Veritek® single threshold shower floor to a double threshold shower floor.

SPECIFICATIONS

SS-34SK and R-34SK Shower Floor Threshold For All 34" Models

| Model | Part | Material | Nom. Size Dims. | Ship Wt. Lb. | Ship FedEx | Carton Dims. In. | Cu. Ft. |
|---------|-----------|-----------|--------------------|--------------|------------|------------------|---------|
| SS-34SK | SS00034FS | Swanstone | 34-1/2 W x 5-1/2 H | 12 | FedEx | 35 x 6 x 2 | .24 |
| R-34SK | SF00034FS | Veritek | 34-1/2 W x 5-1/2 H | 12 | FedEx | 35 x 6 x 2 | .24 |

Includes: Hardware and complete installation instructions.

Packaging: Each shower floor threshold packed in a rectangular carton.

COLORS

(See inside back cover for color sample.)

- White (010)
- Bone (037)
- Bisque (018)
- Bright White (137)
- Pearl (138)

STANDARDS AND RATINGS

Class B fire rating

American National Standard Institute—ANSI Z124.1.2-2005

International Association of Plumbing and Mechanical Officials (IAPMO)—listed

cUPC listed—Certified to CSA Standard B45.5 by IAPMO

American Society for Testing and Materials

National Electrical Manufacturers Association

For a complete list of tests and results see the Technical Data Sheet.

SUPPORT DOCUMENTS

Installation instructions available at swanstone.com.

MADE IN USA

MAINTENANCE AND CLEANING INFORMATION

Clean regularly with common household liquid cleaners and a sponge or soft cloth. For hard water stains, scale removers can be used. If necessary, abrasive cleaners can be used with a nylon brush or pad to remove build up on the shower floor surface. **Do not** use a metal-scouring pad or a wire brush, as it will damage the surface. **Do not** use "leave on" cleaning products, such as automatic spray shower cleaners. Prolonged contact with harsh chemicals could have an adverse reaction over time and discolor surfaces. **Do not** use cleaning agents that caution use on acrylic, polyester or plastics.



Universal Design

BARRIER-FREE AND TRANSFER SHOWER FLOOR ACCESSORIES

| Model | Part | Dimensions | Ship Wt. Lb. | Ship FedEx | Carton Dims. In. | Cu. Ft. |
|-------|------|------------|-----------------|---------------|---------------------|---------|
|-------|------|------------|-----------------|---------------|---------------------|---------|

Thresholds
BF-6000 Aluminum Removable Threshold

| | | | | | | |
|---------|--------|-----------------------------|---|-------|------------|-----|
| BF-6000 | BF6000 | 2-1/2" D x 2-1/4" H x 60" W | 5 | FedEx | 61 x 3 x 3 | .32 |
|---------|--------|-----------------------------|---|-------|------------|-----|

BF-FT Barrier-Free Flexible Threshold

| | | | | | | |
|-------|----------|--|---|-------|------------|-----|
| BF-FT | BF6000FT | Vinyl Strip 1-1/4" x 1" / Aluminum Ext. 3/4" | 5 | FedEx | 60 x 2 x 2 | .14 |
|-------|----------|--|---|-------|------------|-----|

Folding Shower Seats
BF-2300R Folding Shower Seat, Right Side Wall Installation (White Only)

| | | | | | | |
|----------|-----------|--|----|-------|-------------|------|
| BF-2300R | BF00023RH | 23-1/2" W x 21" D (597 mm x 572 mm) | 21 | FedEx | 30 x 26 x 6 | 2.71 |
|----------|-----------|--|----|-------|-------------|------|

(Mounting materials not included)

BF-2300L Folding Shower Seat, Left Side Wall Installation (White Only)

| | | | | | | |
|----------|-----------|--|----|-------|-------------|------|
| BF-2300L | BF00023LH | 23-1/2" W x 21" D (597 mm x 572 mm) | 21 | FedEx | 30 x 26 x 6 | 2.71 |
|----------|-----------|--|----|-------|-------------|------|

(Mounting materials not included)

Grab Bars
BF-2448 L-Shaped Stainless Steel Grab Bar

(For use when shower seat is installed on either side.)

| | | | | | | |
|---------|---------|-------------------------------------|---|-------|-------------|------|
| BF-2448 | BF02448 | 24" D x 48" L (610 mm x 1219 mm) | 9 | FedEx | 51 x 26 x 4 | 3.07 |
|---------|---------|-------------------------------------|---|-------|-------------|------|

BF-5024 Straight Stainless Steel Grab Bar

(For use when shower seat is installed on back wall.)

| | | | | | | |
|---------|---------|----------------|---|-------|------------|-----|
| BF-5024 | BF05024 | 24" L (610 mm) | 3 | FedEx | 31 x 4 x 4 | .29 |
|---------|---------|----------------|---|-------|------------|-----|

BF-5048 Straight Stainless Steel Grab Bar

(For use when shower seat is installed on back wall.)

| | | | | | | |
|---------|---------|-----------------|---|-------|------------|-----|
| BF-5048 | BF05048 | 48" L (1219 mm) | 5 | FedEx | 51 x 4 x 4 | .47 |
|---------|---------|-----------------|---|-------|------------|-----|

BF-5072 Grab Bar Kit

(For use when shower seat is installed on back wall.)

| | | | | | | |
|---------|---------|--|---|--|------------|-----|
| BF-5072 | BF05072 | | 8 | | 51 x 8 x 4 | .94 |
|---------|---------|--|---|--|------------|-----|

Kit includes BF-5024 and BF-5048.

GB-0014 Straight Stainless Steel Grab Bar

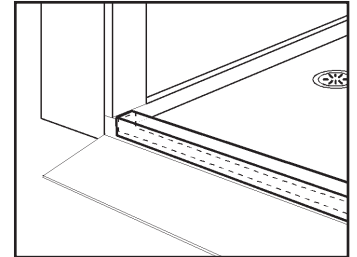
(For use with transfer shower floor.)

| | | | | | | |
|---------|---------|----------------|---|-------|------------|-----|
| GB-0014 | GB00014 | 14" L (356 mm) | 5 | FedEx | 5 x 5 x 15 | .22 |
|---------|---------|----------------|---|-------|------------|-----|

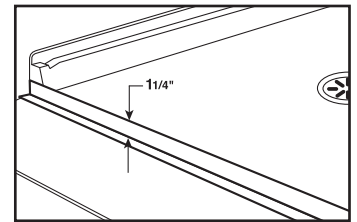
GB-1432 "L-Shaped" Stainless Steel Grab Bar

(For use when shower seat is installed on either side.)

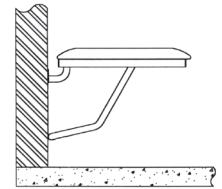
| | | | | | | |
|---------|---------|-----------------------------|---|-------|-------------|------|
| GB-1432 | GB01432 | 14" x 32" (356 mm x 813 mm) | 9 | FedEx | 51 x 26 x 4 | 3.07 |
|---------|---------|-----------------------------|---|-------|-------------|------|


BF-6000

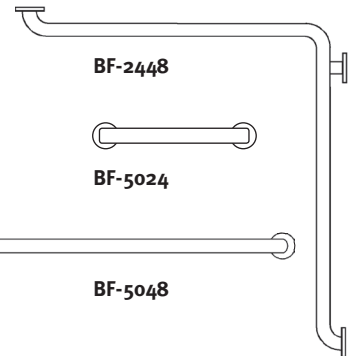
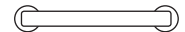
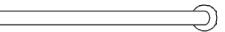
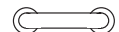
Aluminum Removable Threshold


BF-FT

Barrier-Free Flexible Threshold


BF-2300L

23-1/2" W x 21" D


BF-2448

BF-5024

BF-5048

GB-0014

GB-1432

VANITY TOPS AND BOWLS

WARRANTY

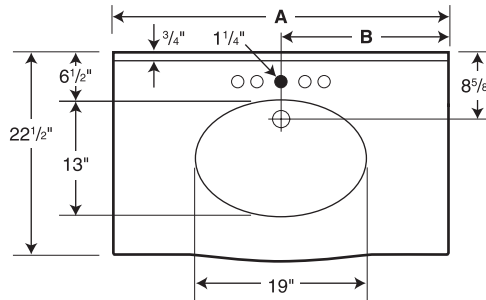
Limited Lifetime – Residential
Limited 25-year – Commercial

Manufactured from Swanstone solid surface
(See page 2 for detailed information.)

Recommended for high-use traffic areas and commercial surfaces.

FEATURES

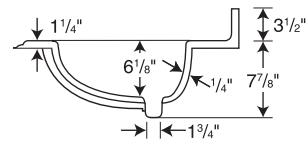
- Reinforced solid surface means color and texture run all the way through and cannot wear away.
- Coordinates with other Swanstone products.
- Easily accommodates all faucet styles.
- Chemical resistant—acetone will not harm.
- Heat resistant—hot curling irons will not damage it.
- Make-up and hair-dye can be buffed with household cleansers.
- Heat, stain and scratch resistant for lasting beauty.
- Gently curved front edge with sculpted ogee detailing.



○ Drill Points ● Pre-drilled



Roman Ogee Edge



Capacity: 2
gallons to overflow

| Model | A | B |
|----------|-----|---------|
| EV1B2225 | 25" | 12-1/2" |
| EV1B2231 | 31" | 15-1/2" |
| EV1B2237 | 37" | 18-1/2" |
| EV1B2243 | 43" | 21-1/2" |
| EV1B2249 | 49" | 24-1/2" |
| EV1B2255 | 55" | 27-1/2" |
| EV1B2261 | 61" | 30-1/2" |

SPECIFICATIONS
Europa Vanity Tops

| Model | Part | Nominal Dimensions | Ship Wt. Lb. | Ship FedEx | Carton Dims. In. | Cu. Ft. |
|----------|---------|--------------------|--------------|------------|------------------|---------|
| EV1B2225 | EV02225 | 22-1/2" D x 25" W | 28 | FedEx | 28 x 26 x 14 | 5.90 |
| EV1B2231 | EV02231 | 22-1/2" D x 31" W | 33 | FedEx | 34 x 26 x 14 | 7.16 |
| EV1B2237 | EV02237 | 22-1/2" D x 37" W | 41 | FedEx | 40 x 26 x 14 | 8.43 |
| EV1B2243 | EV02243 | 22-1/2" D x 43" W | 43 | FedEx | 46 x 26 x 14 | 9.69 |
| EV1B2249 | EV02249 | 22-1/2" D x 49" W | 44 | FedEx | 52 x 26 x 14 | 10.95 |
| EV1B2255 | EV02255 | 22-1/2" D x 55" W | 50 | - | 58 x 26 x 14 | 12.22 |
| EV1B2261 | EV02261 | 22-1/2" D x 61" W | 62 | - | 65 x 26 x 14 | 13.69 |

Includes: One compression-molded vanity top with overflow, integral bowl, back splash and installation instructions.

Packaging: Each unit is packed in a rectangular carton.

ACCESSORIES

- Optional EVTSS Side Splash available (See page 115)
- Optional Front and Side Apron available (See page 115)

STANDARDS AND RATINGS

American National Standard Institute—ANSI Z124.3

International Association of Plumbing and Mechanical Officials (IAPMO)—Listed

cUPC listed—Certified to CSA Test Standard B45.5 by IAPMO

Uniform Plumbing Code (UPC)

For a complete list of tests and results see the Technical Data Sheet.

SUPPORT DOCUMENTS

Installation instructions available at swanstone.com.

 **MADE IN USA**

COLORS

(See inside back cover for color sample.)

Solid Colors:

- White (010)
- Bone (037)
- Bisque (018)
- Bright White (137)
- Pearl (138)

Aggregate Colors:

- Acorn (123) 🍂
- Almond Galaxy (046)
- Arctic Granite (035)
- Baby's Breath (168)
- Barley (091)
- Bermuda Sand (040)
- Canyon (124) 🍂
- Caraway Seed (169)
- Cloud Bone (126)
- Cloud White (125)
- Cornflower (063)
- Glacier (121) 🍂

- Golden Steppe (128)
- Gray Granite (042)
- Ice (130)
- Indian Grass (071)
- Mountain Haze (129)
- Night Sky (012)
- Pebble (072)
- Prairie (122) 🍂
- Sierra (094)
- Tahiti Desert (050)
- Tahiti Gray (053)
- Tahiti Ivory (059)
- Tahiti Matrix (058)
- Tahiti Sand (051)
- Tahiti Terra (055)
- Tahiti White (011)
- Tundra (131)
- Winter Wheat (060)

MAINTENANCE AND CLEANING INFORMATION

Cleaning regularly with common household liquid cleaners is recommended. If necessary abrasive liquids or detergents are safe and effective for use with nylon scouring pads, sponges, Mr. Clean® Magic Eraser® or other similar products. Mineral-stain removers are acceptable as well. **Do not** use metal scouring pads.



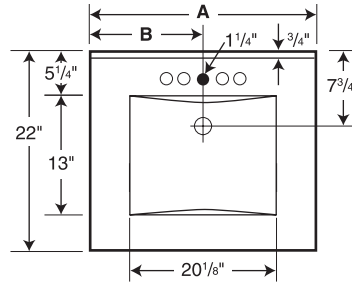
WARRANTY
 Limited Lifetime – Residential
 Limited 25-year – Commercial

Manufactured from Swanstone solid surface
 (See page 2 for detailed information.)

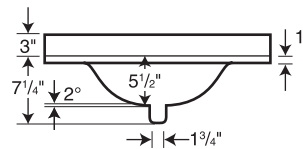
Recommended for high-use traffic areas and commercial surfaces.

FEATURES

- Reinforced solid surface means color and texture run all the way through and cannot wear away.
- Coordinates with other Swanstone products.
- Easily accommodates all faucet styles.
- Chemical resistant—acetone will not harm.
- Heat resistant—hot curling irons will not damage it.
- Make-up and hair-dye can be buffed with household cleansers.
- Heat, stain and scratch resistant for lasting beauty.
- Contemporary style with unique sweeping bowl.

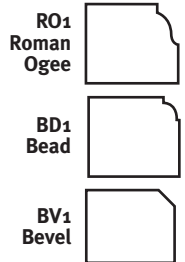


○ Drill Points ● Pre-drilled



| Model | A | B |
|---------|-----|---------|
| CV-2225 | 25" | 12-1/2" |
| CV-2231 | 31" | 15-1/2" |
| CV-2237 | 37" | 18-1/2" |
| CV-2243 | 43" | 21-1/2" |
| CV-2249 | 49" | 24-1/2" |

Custom Edge Treatments Available
 (Orders cannot be cancelled or returned.)



Capacity: 2 gallons to overflow

SPECIFICATIONS

Contour Vanity Tops

| Model | Part | Nominal Dimensions | Ship Wt. Lb. | Ship FedEx | Carton Dims. In. | Cu. Ft. |
|---------|---------|--------------------|--------------|------------|------------------|---------|
| CV-2225 | CV02225 | 22" D x 25" W | 24 | FedEx | 29 x 26 x 14 | 6.11 |
| CV-2231 | CV02231 | 22" D x 31" W | 29 | FedEx | 34 x 26 x 14 | 7.16 |
| CV-2237 | CV02237 | 22" D x 37" W | 34 | FedEx | 41 x 26 x 14 | 8.64 |
| CV-2243 | CV02243 | 22" D x 43" W | 35 | FedEx | 53 x 26 x 14 | 11.16 |
| CV-2249 | CV02249 | 22" D x 49" W | 38 | FedEx | 53 x 26 x 14 | 11.16 |

Includes: One compression-molded vanity top with overflow, integral bowl, back splash and installation instructions.

Packaging: Each unit is packed in a rectangular carton.

ACCESSORIES

- Optional VT21-3SS Side Splash available (See page 115)
- Optional Front and Side Apron available (See page 115)

STANDARDS AND RATINGS

American National Standard Institute—ANSI Z124.3
 International Association of Plumbing and Mechanical Officials (IAPMO)—Listed cUPC listed—Certified to CSA Test Standard B45.5 by IAPMO
 Uniform Plumbing Code (UPC)

For a complete list of tests and results see the Technical Data Sheet.

SUPPORT DOCUMENTS

Installation instructions available at swanstone.com.



COLORS

(See inside back cover for color sample.)

Solid Colors:

- White (010)
- Bone (037)
- Bisque (018)
- Bright White (137)
- Pearl (138)

Aggregate Colors:

- Acorn (123)
- Almond Galaxy (046)
- Arctic Granite (035)
- Baby's Breath (168)
- Barley (091)
- Bermuda Sand (040)
- Canyon (124)
- Caraway Seed (169)
- Cloud Bone (126)
- Cloud White (125)
- Cornflower (063)
- Glacier (121)

- Golden Steppe (128)
- Gray Granite (042)
- Ice (130)
- Indian Grass (071)
- Mountain Haze (129)
- Night Sky (012)
- Pebble (072)
- Prairie (122)
- Sierra (094)
- Tahiti Desert (050)
- Tahiti Gray (053)
- Tahiti Ivory (059)
- Tahiti Matrix (058)
- Tahiti Sand (051)
- Tahiti Terra (055)
- Tahiti White (011)
- Tundra (131)
- Winter Wheat (060)

MAINTENANCE AND CLEANING INFORMATION

Cleaning regularly with common household liquid cleaners is recommended. If necessary abrasive liquids or detergents are safe and effective for use with nylon scouring pads, sponges, Mr. Clean® Magic Eraser® or other similar products. Mineral-stain removers are acceptable as well. **Do not** use metal scouring pads.



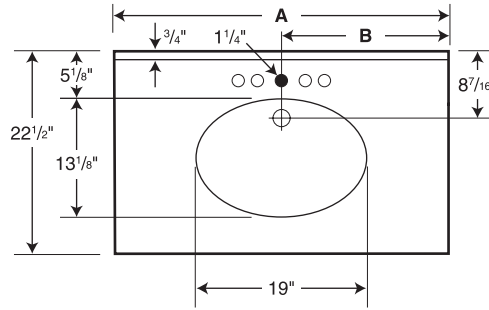
WARRANTY
 Limited Lifetime – Residential
 Limited 25-year – Commercial

Manufactured from Swanstone solid surface
 (See page 2 for detailed information.)

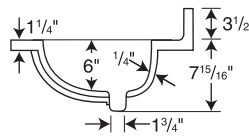
Recommended for high-use traffic areas and commercial surfaces.

FEATURES

- Reinforced solid surface means color and texture run all the way through and cannot wear away.
- Coordinates with other Swanstone products.
- Easily accommodates all faucet styles.
- Chemical resistant—acetone will not harm.
- Heat resistant—hot curling irons will not damage it.
- Make-up and hair-dye can be buffed with household cleansers.
- Heat, stain and scratch resistant for lasting beauty.
- Larger bowl, thicker edge and taller back splash is an updated version of our Ellipse vanity top.

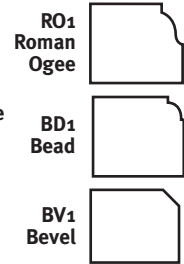


○ Drill Points ● Pre-drilled



Capacity: 2 gallons to overflow

| Model | A | B |
|----------|-----|---------|
| CH1B2225 | 25" | 12-1/2" |
| CH1B2231 | 31" | 15-1/2" |
| CH1B2237 | 37" | 18-1/2" |
| CH1B2243 | 43" | 21-1/2" |
| CH1B2249 | 49" | 24-1/2" |
| CH1B2255 | 55" | 27-1/2" |
| CH1B2261 | 61" | 30-1/2" |



Custom Edge Treatments Available
 (Orders cannot be cancelled or returned.)

SPECIFICATIONS

Chesapeake Single Bowl Vanity Tops

| Model | Part | Nominal Dimensions | Ship Wt. Lb. | Ship FedEx | Carton Dims. In. | Cu. Ft. |
|----------|---------|--------------------|--------------|------------|------------------|---------|
| CH1B2225 | CH02225 | 22-1/2" D x 25" W | 22 | FedEx | 28 x 26 x 14 | 5.90 |
| CH1B2231 | CH02231 | 22-1/2" D x 31" W | 27 | FedEx | 35 x 26 x 14 | 7.37 |
| CH1B2237 | CH02237 | 22-1/2" D x 37" W | 28 | FedEx | 41 x 26 x 14 | 8.64 |
| CH1B2243 | CH02243 | 22-1/2" D x 43" W | 40 | FedEx | 47 x 26 x 14 | 9.90 |
| CH1B2249 | CH02249 | 22-1/2" D x 49" W | 46 | - | 53 x 26 x 14 | 11.16 |
| CH1B2255 | CH02255 | 22-1/2" D x 55" W | 52 | - | 58 x 25 x 13 | 10.91 |
| CH1B2261 | CH02261 | 22-1/2" D x 61" W | 59 | - | 64 x 27 x 14 | 14.00 |

Includes: One compression-molded vanity top with overflow, integral bowl, back splash and installation instructions.

Packaging: Each unit is packed in a rectangular carton.

ACCESSORIES

- Optional CHVTSS Side Splash available (See page 115)
- Optional Front and Side Apron available (See page 115)

STANDARDS AND RATINGS

American National Standard Institute—ANSI Z124.3
 International Association of Plumbing and Mechanical Officials (IAPMO)—Listed
 cUPC listed—Certified to CSA Test Standard B45.5 by IAPMO
 Uniform Plumbing Code (UPC)

For a complete list of tests and results see the Technical Data Sheet.

SUPPORT DOCUMENTS

Installation instructions available at swanstone.com.

MADE IN USA

COLORS

(See inside back cover for color sample.)

- Solid Colors:**
- White (010)
 - Bone (037)
 - Bisque (018)
 - Bright White (137)
 - Pearl (138)
- Aggregate Colors:**
- Acorn (123) 🍂
 - Almond Galaxy (046)
 - Arctic Granite (035)
 - Baby's Breath (168)
 - Barley (091)
 - Bermuda Sand (040)
 - Canyon (124) 🍂
 - Caraway Seed (169)
 - Cloud Bone (126)
 - Cloud White (125)
 - Cornflower (063)
 - Glacier (121) 🍂
 - Golden Steppe (128)
 - Gray Granite (042)
 - Ice (130)
 - Indian Grass (071)
 - Mountain Haze (129)
 - Night Sky (012)
 - Pebble (072)
 - Prairie (122) 🍂
 - Sierra (094)
 - Tahiti Desert (050)
 - Tahiti Gray (053)
 - Tahiti Ivory (059)
 - Tahiti Matrix (058)
 - Tahiti Sand (051)
 - Tahiti Terra (055)
 - Tahiti White (011)
 - Tundra (131)
 - Winter Wheat (060)

MAINTENANCE AND CLEANING INFORMATION

Cleaning regularly with common household liquid cleaners is recommended. If necessary abrasive liquids or detergents are safe and effective for use with nylon scouring pads, sponges, Mr. Clean® Magic Eraser® or other similar products. Mineral-stain removers are acceptable as well. **Do not** use metal scouring pads.



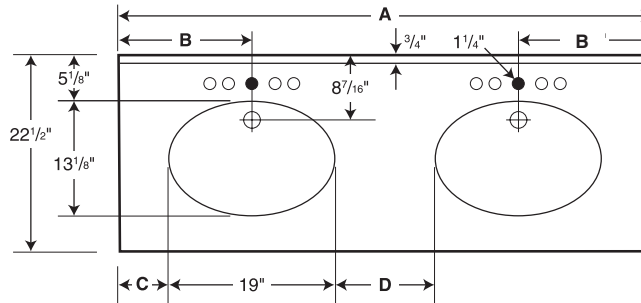
WARRANTY
 Limited Lifetime – Residential
 Limited 25-year – Commercial

Manufactured from Swanstone solid surface
 (See page 2 for detailed information.)

Recommended for high-use traffic areas and commercial surfaces.

FEATURES

- Reinforced solid surface means color and texture run all the way through and cannot wear away.
- Coordinates with other Swanstone products.
- Easily accommodates all faucet styles.
- Chemical resistant—acetone will not harm.
- Heat resistant—hot curling irons will not damage it.
- Make-up and hair-dye can be buffed with household cleansers.
- Heat, stain and scratch resistant for lasting beauty.
- Larger bowl, thicker edge and taller back splash is an updated version of our Ellipse vanity top.



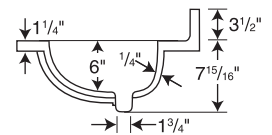
Custom Edge Treatments Available
 (orders cannot be cancelled or returned)



○ Drill Points ● Pre-drilled

| Model | A | B | C | D |
|-----------|-----|---------|----|-----|
| CH2B-2261 | 61" | 15-1/2" | 6" | 11" |
| CH2B-2273 | 73" | 17-1/2" | 8" | 19" |

Capacity: 2 gallons to overflow



SPECIFICATIONS

Chesapeake Double Bowl Vanity Tops

| Model | Part | Nominal Dimensions | Ship Wt. Lb. | Ship FedEx | Carton Dims. In. | Cu. Ft. |
|----------|-----------|--------------------|--------------|------------|------------------|---------|
| CH2B2261 | CH022612B | 22-1/2" D x 61" W | 51 | - | 64 x 26 x 14 | 13.48 |
| CH2B2273 | CH022732B | 22-1/2" D x 73" W | 68 | - | 77 x 26 x 14 | 16.22 |

Includes: One compression-molded vanity top with overflow, integral bowl, back splash and installation instructions.

Packaging: Each unit is packed in a rectangular carton.

ACCESSORIES

- Optional CHVTSS Side Splash available (See page 115)
- Optional Front and Side Apron available (See page 115)

STANDARDS AND RATINGS

American National Standard Institute—ANSI Z124.3
 International Association of Plumbing and Mechanical Officials (IAPMO)—Listed cUPC listed—Certified to CSA Test Standard B45.5 by IAPMO
 Uniform Plumbing Code (UPC)

For a complete list of tests and results see the Technical Data Sheet.

SUPPORT DOCUMENTS

Installation instructions available at swanstone.com.

MADE IN USA

COLORS

(See inside back cover for color sample.)

Solid Colors:

- White (010)
- Bone (037)
- Bisque (018)
- Bright White (137)
- Pearl (138)

Aggregate Colors:

- Acorn (123)
- Almond Galaxy (046)
- Arctic Granite (035)
- Baby's Breath (168)
- Barley (091)
- Bermuda Sand (040)
- Canyon (124)
- Caraway Seed (169)
- Cloud Bone (126)
- Cloud White (125)
- Cornflower (063)
- Glacier (121)

- Golden Steppe (128)
- Gray Granite (042)
- Ice (130)
- Indian Grass (071)
- Mountain Haze (129)
- Night Sky (012)
- Pebble (072)
- Prairie (122)
- Sierra (094)
- Tahiti Desert (050)
- Tahiti Gray (053)
- Tahiti Ivory (059)
- Tahiti Matrix (058)
- Tahiti Sand (051)
- Tahiti Terra (055)
- Tahiti White (011)
- Tundra (131)
- Winter Wheat (060)

MAINTENANCE AND CLEANING INFORMATION

Cleaning regularly with common household liquid cleaners is recommended. If necessary abrasive liquids or detergents are safe and effective for use with nylon scouring pads, sponges, Mr. Clean® Magic Eraser® or other similar products. Mineral-stain removers are acceptable as well. **Do not** use metal scouring pads.



WARRANTY
 Limited Lifetime – Residential
 Limited 25-year – Commercial

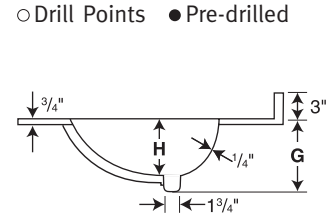
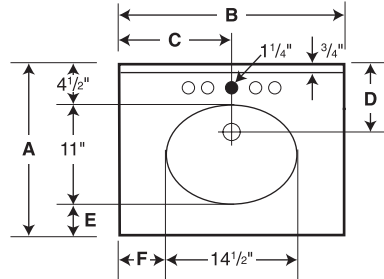
Manufactured from Swanstone solid surface
 (See page 2 for detailed information.)

Recommended for high-use traffic areas and commercial surfaces.

FEATURES

- Reinforced solid surface means color and texture run all the way through and cannot wear away.
- Coordinates with other Swanstone products.
- Easily accommodates all faucet styles.
- Chemical resistant—acetone will not harm.
- Heat resistant—hot curling irons will not damage it.
- Make-up and hair-dye can be buffed with household cleansers.
- Heat, stain and scratch resistant for lasting beauty.

Capacity: 2 gallons to overflow



| Model | A | B | C | D | E | F | G | H |
|----------|-----|-----|---------|---------|--------|---------|--------|--------|
| VT1B1719 | 17" | 19" | 9-1/2" | 7-3/32" | 2-1/4" | 2-1/4" | 6-3/4" | 5" |
| VT1B1925 | 19" | 25" | 12-1/2" | 7-5/8" | 3-1/2" | 5-1/4" | 7-1/4" | 5-1/2" |
| VT1B1931 | 19" | 31" | 15-1/2" | 7-5/8" | 3-1/2" | 8-1/4" | 7-1/4" | 5-1/2" |
| VT1B1937 | 19" | 37" | 18-1/2" | 7-5/8" | 3-1/2" | 11-1/4" | 7-1/4" | 5-1/2" |

SPECIFICATIONS

Ellipse 17", 19" Single Bowl Vanity Tops

| Model | Part | Nominal Dimensions | Ship Wt. Lb. | Ship FedEx | Carton Dims. In. | Cu. Ft. |
|-----------------|---------|--------------------|--------------|------------|------------------|---------|
| 17" Bowl | | | | | | |
| VT1B1719 | VT01719 | 17" D x 19" W | 15 | FedEx | 25 x 23 x 13 | 4.33 |
| 19" Bowl | | | | | | |
| VT1B1925 | VT01925 | 19" D x 25" W | 18 | FedEx | 29 x 25 x 13 | 5.45 |
| VT1B1931 | VT01931 | 19" D x 31" W | 23 | FedEx | 35 x 25 x 13 | 6.58 |
| VT1B1937 | VT01937 | 19" D x 37" W | 27 | FedEx | 41 x 25 x 13 | 7.71 |

Includes: One compression-molded vanity top with overflow, integral bowl, back splash and installation instructions.

Packaging: Each unit is packed in a rectangular carton.

ACCESSORIES

- Optional VT18-3SS Side Splash available (See page 115)
- Optional Front and Side Apron available (See page 115)

STANDARDS AND RATINGS

American National Standard Institute—ANSI Z124.3
 International Association of Plumbing and Mechanical Officials (IAPMO)—Listed
 cUPC listed—Certified to CSA Test Standard B45.5 by IAPMO
 Uniform Plumbing Code (UPC)

For a complete list of tests and results see the Technical Data Sheet.

SUPPORT DOCUMENTS

Installation instructions available at swanstone.com.

MADE IN USA

COLORS

(See inside back cover for color sample.)

Solid Colors:

- White (010)
- Bone (037)
- Bisque (018)
- Bright White (137)
- Pearl (138)

Aggregate Colors:

- Acorn (123)
- Almond Galaxy (046)
- Arctic Granite (035)
- Baby's Breath (168)
- Barley (091)
- Bermuda Sand (040)
- Canyon (124)
- Caraway Seed (169)
- Cloud Bone (126)
- Cloud White (125)
- Cornflower (063)
- Glacier (121)

- Golden Steppe (128)
- Gray Granite (042)
- Ice (130)
- Indian Grass (071)
- Mountain Haze (129)
- Night Sky (012)
- Pebble (072)
- Prairie (122)
- Sierra (094)
- Tahiti Desert (050)
- Tahiti Gray (053)
- Tahiti Ivory (059)
- Tahiti Matrix (058)
- Tahiti Sand (051)
- Tahiti Terra (055)
- Tahiti White (011)
- Tundra (131)
- Winter Wheat (060)

MAINTENANCE AND CLEANING INFORMATION

Cleaning regularly with common household liquid cleaners is recommended. If necessary abrasive liquids or detergents are safe and effective for use with nylon scouring pads, sponges, Mr. Clean® Magic Eraser® or other similar products. Mineral-stain removers are acceptable as well. **Do not** use metal scouring pads.



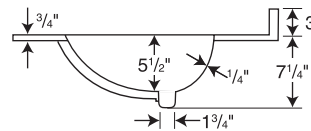
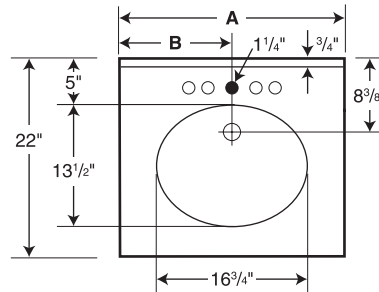
WARRANTY
 Limited Lifetime – Residential
 Limited 25-year – Commercial

Manufactured from Swanstone solid surface
 (See page 2 for detailed information.)

Recommended for high-use traffic areas and commercial surfaces.

FEATURES

- Reinforced solid surface means color and texture run all the way through and cannot wear away.
- Coordinates with other Swanstone products.
- Easily accommodates all faucet styles.
- Chemical resistant—acetone will not harm.
- Heat resistant—hot curling irons will not damage it.
- Make-up and hair-dye can be buffed with household cleansers.
- Heat, stain and scratch resistant for lasting beauty.



| Model | A | B |
|----------|-----|---------|
| VT1B2225 | 25" | 12-1/2" |
| VT1B2231 | 31" | 15-1/2" |
| VT1B2237 | 37" | 18-1/2" |
| VT1B2243 | 43" | 21-1/2" |
| VT1B2249 | 49" | 24-1/2" |
| VT1B2255 | 55" | 27-1/2" |
| VT1B2261 | 61" | 30-1/2" |

○ Drill Points ● Pre-drilled

Capacity:
 1-3/4 gallons
 to overflow

SPECIFICATIONS

Ellipse 22" Single Bowl Vanity Tops

| Model | Part | Nominal Dimensions | Ship Wt. Lb. | Ship FedEx | Carton Dims. In. | Cu. Ft. |
|----------|---------|--------------------|--------------|------------|------------------|---------|
| VT1B2225 | VT02225 | 22" D x 25" W | 21 | FedEx | 29 x 25 x 13 | 5.45 |
| VT1B2231 | VT02231 | 22" D x 31" W | 26 | FedEx | 35 x 25 x 13 | 6.58 |
| VT1B2237 | VT02237 | 22" D x 37" W | 30 | FedEx | 41 x 25 x 13 | 7.71 |
| VT1B2243 | VT02243 | 22" D x 43" W | 31 | FedEx | 46 x 25 x 13 | 8.65 |
| VT1B2249 | VT02249 | 22" D x 49" W | 36 | FedEx | 53 x 25 x 12 | 9.21 |
| VT1B2255 | VCo2255 | 22" D x 55" W | 55 | - | 58 x 25 x 13 | 10.91 |
| VT1B2261 | VCo2261 | 22" D x 61" W | 59 | - | 63 x 27 x 13 | 12.80 |

Includes: One compression-molded vanity top with overflow, integral bowl, back splash and installation instructions.

Packaging: Each Swanstone unit is packed in a rectangular carton.

ACCESSORIES

- Optional VT21-3SS Side Splash available (See page 115)
- Optional Front and Side Apron available (See page 115)

STANDARDS AND RATINGS

American National Standard Institute—ANSI Z124.3

International Association of Plumbing and Mechanical Officials (IAPMO)—Listed

cUPC listed—Certified to CSA Test Standard B45.5 by IAPMO

Uniform Plumbing Code (UPC)

For a complete list of tests and results see the Technical Data Sheet.

SUPPORT DOCUMENTS

Installation instructions available at swanstone.com.

MADE IN USA

COLORS

(See inside back cover for color sample.)

Solid Colors:

- White (010)
- Bone (037)
- Bisque (018)
- Bright White (137)
- Pearl (138)

Aggregate Colors:

- Acorn (123)
- Almond Galaxy (046)
- Arctic Granite (035)
- Baby's Breath (168)
- Barley (091)
- Bermuda Sand (040)
- Canyon (124)
- Caraway Seed (169)
- Cloud Bone (126)
- Cloud White (125)
- Cornflower (063)
- Glacier (121)

- Golden Steppe (128)
- Gray Granite (042)
- Ice (130)
- Indian Grass (071)
- Mountain Haze (129)
- Night Sky (012)
- Pebble (072)
- Prairie (122)
- Sierra (094)
- Tahiti Desert (050)
- Tahiti Gray (053)
- Tahiti Ivory (059)
- Tahiti Matrix (058)
- Tahiti Sand (051)
- Tahiti Terra (055)
- Tahiti White (011)
- Tundra (131)
- Winter Wheat (060)

MAINTENANCE AND CLEANING INFORMATION

Cleaning regularly with common household liquid cleaners is recommended. If necessary abrasive liquids or detergents are safe and effective for use with nylon scouring pads, sponges, Mr. Clean® Magic Eraser® or other similar products. Mineral-stain removers are acceptable as well. **Do not** use metal scouring pads.



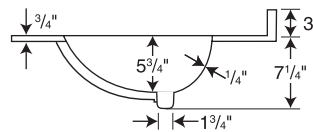
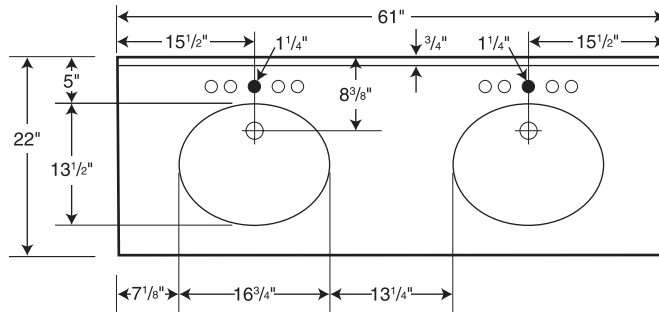
WARRANTY
 Limited Lifetime – Residential
 Limited 25-year – Commercial

Manufactured from Swanstone solid surface
 (See page 2 for detailed information.)

Recommended for high-use traffic areas and commercial surfaces.

FEATURES

- Reinforced solid surface means color and texture run all the way through and cannot wear away.
- Coordinates with other Swanstone products.
- Easily accommodates all faucet styles.
- Chemical resistant—acetone will not harm.
- Heat resistant—hot curling irons will not damage it.
- Make-up and hair-dye can be buffed with household cleansers.
- Heat, stain and scratch resistant for lasting beauty.



○ Drill Points ● Pre-drilled

Capacity:
 1-3/4 gallons
 to overflow

SPECIFICATIONS

Ellipse 22" Double Bowl Vanity Tops

| Model | Part | Nominal Dimensions | Ship Wt. Lb. | Ship FedEx | Carton Dims. In. | Cu. Ft. |
|----------|-----------|--------------------|--------------|------------|------------------|---------|
| VT2B2261 | VT022612B | 22" D x 61" W | 47 | - | 63 x 27 x 13 | 12.80 |

Includes: One compression-molded vanity top with overflow, integral bowl, back splash and installation instructions.

Packaging: Each unit is packed in a rectangular carton.

ACCESSORIES

- Optional VT22SS Side Splash available (See page 115)
- Optional Front and Side Apron available (See page 115)

STANDARDS AND RATINGS

American National Standard Institute—ANSI Z124.3
 International Association of Plumbing and Mechanical Officials (IAPMO)—Listed
 cUPC listed—Certified to CSA Test Standard B45.5 by IAPMO
 Uniform Plumbing Code (UPC)

For a complete list of tests and results see the Technical Data Sheet.

SUPPORT DOCUMENTS

Installation instructions available at swanstone.com.

MADE IN USA

COLORS

(See inside back cover for color sample.)

Solid Colors:

- White (010)
- Bone (037)
- Bisque (018)
- Bright White (137)
- Pearl (138)

Aggregate Colors:

- Acorn (123)
- Almond Galaxy (046)
- Arctic Granite (035)
- Baby's Breath (168)
- Barley (091)
- Bermuda Sand (040)
- Canyon (124)
- Caraway Seed (169)
- Cloud Bone (126)
- Cloud White (125)
- Cornflower (063)
- Glacier (121)

- Golden Steppe (128)
- Gray Granite (042)
- Ice (130)
- Indian Grass (071)
- Mountain Haze (129)
- Night Sky (012)
- Pebble (072)
- Prairie (122)
- Sierra (094)
- Tahiti Desert (050)
- Tahiti Gray (053)
- Tahiti Ivory (059)
- Tahiti Matrix (058)
- Tahiti Sand (051)
- Tahiti Terra (055)
- Tahiti White (011)
- Tundra (131)
- Winter Wheat (060)

MAINTENANCE AND CLEANING INFORMATION

Cleaning regularly with common household liquid cleaners is recommended. If necessary abrasive liquids or detergents are safe and effective for use with nylon scouring pads, sponges, Mr. Clean® Magic Eraser® or other similar products. Mineral-stain removers are acceptable as well. **Do not** use metal scouring pads.



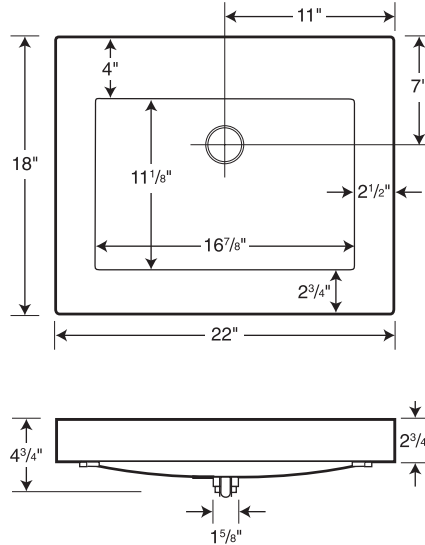
WARRANTY
 Limited Lifetime – Residential
 Limited 25-year – Commercial

Manufactured from Swanstone solid surface
 (See page 2 for detailed information.)

Recommended for high-use traffic areas and commercial surfaces.

FEATURES

- Swanstone solid surface means color and texture run all the way through and cannot wear away.
- Coordinates with other Swanstone products.
- Chemical resistant—acetone will not harm.
- Heat resistant – hot curling irons will not damage it.
- Make-up and hair-dye can be buffed with household cleansers.
- Heat, stain and scratch resistant for lasting beauty.
- ADA-compliant when installed to ADA guidelines.



Capacity: 1.6 gallons to overflow

SPECIFICATIONS

Palladio Above-Counter Washbasin

| Model | Part | Nominal Dimensions | Ship Wt. Lb. | Ship FedEx | Carton Dims. In. | Cu. Ft. |
|---------|---------|------------------------------------|--------------|------------|------------------|---------|
| WB-2218 | WB02218 | 18" D x 22" W (457 mm x 559 mm) | 25 | FedEx | 23 x 19 x 12 | 3.03 |

Includes: One compression-molded vanity bowl and installation instructions.
 Packaging: Each unit is packed in a rectangular carton.

COLORS

(See inside back cover for color sample.)

Solid Colors:

- White (010)
- Bone (037)
- Bisque (018)
- Bright White (137)
- Pearl (138)

Aggregate Colors:

- Acorn (123)
- Almond Galaxy (046)
- Arctic Granite (035)
- Baby's Breath (168)
- Barley (091)
- Bermuda Sand (040)
- Canyon (124)
- Caraway Seed (169)
- Cloud Bone (126)
- Cloud White (125)
- Cornflower (063)
- Glacier (121)

- Golden Steppe (128)
- Gray Granite (042)
- Ice (130)
- Indian Grass (071)
- Mountain Haze (129)
- Night Sky (012)
- Pebble (072)
- Prairie (122)
- Sierra (094)
- Tahiti Desert (050)
- Tahiti Gray (053)
- Tahiti Ivory (059)
- Tahiti Matrix (058)
- Tahiti Sand (051)
- Tahiti Terra (055)
- Tahiti White (011)
- Tundra (131)
- Winter Wheat (060)

STANDARDS AND RATINGS

American National Standard Institute—ANSI Z124.3
 International Association of Plumbing and Mechanical Officials (IAPMO)—Listed
 cUPC listed—Certified to CSA Test Standard B45.5 by IAPMO
 Uniform Plumbing Code (UPC)

For a complete list of tests and results see the Technical Data Sheet.

SUPPORT DOCUMENTS

Installation instructions available at swanstone.com.

MADE IN USA

MAINTENANCE AND CLEANING INFORMATION

Cleaning regularly with common household liquid cleaners is recommended. If necessary abrasive liquids or detergents are safe and effective for use with nylon scouring pads, sponges, Mr. Clean® Magic Eraser® or other similar products. Mineral-stain removers are acceptable as well. **Do not** use metal scouring pads.



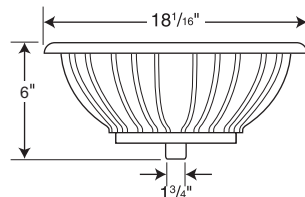
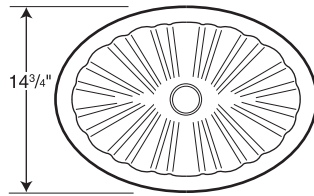
WARRANTY
 Limited Lifetime – Residential
 Limited 25-year – Commercial

Manufactured from Swanstone solid surface
 (See page 2 for detailed information.)

Recommended for high-use traffic areas and commercial surfaces.

FEATURES

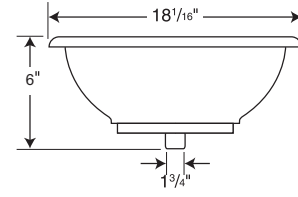
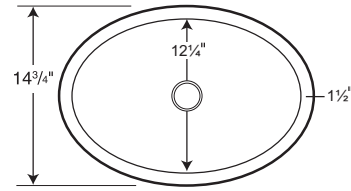
- Reinforced solid surface means color and texture run all the way through and cannot wear away.
- Coordinates with other Swanstone products.
- The bowl can be installed as a drop-in or an undermount vanity bowl.
- Chemical resistant—acetone will not harm.
- Make-up and hair-dye can be buffed with household cleansers.
- Heat, stain and scratch resistant for lasting beauty.
- ADA-compliant when installed to ADA guidelines.



Islandia

Soft petal-textured surface for high design appeal

Capacity: 1-1/4 gallons to overflow



Hilo

Clean-lined, European styling

SPECIFICATIONS

Islandia and Hilo Vanity Bowls

| Model | Part | Nominal Dimensions | Ship Wt. Lb. | Ship FedEx | Carton Dims. In. | Cu. Ft. |
|-----------------|-----------|-------------------------------|--------------|------------|------------------|---------|
| Islandia | | | | | | |
| TRI-1815IS | TR01815IS | 14-3/4" D x 18-1/16" W x 6" H | 14 | FedEx | 22 x 19 x 9 | 2.18 |
| Hilo | | | | | | |
| TRI-1815HL | TR01815HL | 14-3/4" D x 18-1/16" W x 6" H | 14 | FedEx | 22 x 19 x 9 | 2.18 |

Includes: One compression-molded vanity bowl and complete installation instructions.

Packaging: Each unit is packed in a rectangular carton.

COLORS

(See inside back cover for color sample.)

Solid Colors:

- White (010)
- Bone (037)
- Bisque (018)
- Bright White (137)
- Pearl (138)

Aggregate Colors:

- Acorn (123) 🍂
- Almond Galaxy (046)
- Arctic Granite (035)
- Baby's Breath (168)
- Barley (091)
- Bermuda Sand (040)
- Canyon (124) 🍂
- Caraway Seed (169)
- Cloud Bone (126)
- Cloud White (125)
- Cornflower (063)
- Glacier (121) 🍂

- Golden Steppe (128)
- Gray Granite (042)
- Ice (130)
- Indian Grass (071)
- Mountain Haze (129)
- Night Sky (012)
- Pebble (072)
- Prairie (122) 🍂
- Sierra (094)
- Tahiti Desert (050)
- Tahiti Gray (053)
- Tahiti Ivory (059)
- Tahiti Matrix (058)
- Tahiti Sand (051)
- Tahiti Terra (055)
- Tahiti White (011)
- Tundra (131)
- Winter Wheat (060)

STANDARDS AND RATINGS

American National Standard Institute—ANSI Z124.3

International Association of Plumbing and Mechanical Officials (IAPMO)—Listed

cUPC listed—Certified to CSA Test Standard B45.5 by IAPMO

Uniform Plumbing Code (UPC)

For a complete list of tests and results see the Technical Data Sheet.

SUPPORT DOCUMENTS

Installation instructions available at swanstone.com.

MADE IN USA

MAINTENANCE AND CLEANING INFORMATION

Cleaning regularly with common household liquid cleaners is recommended. If necessary abrasive liquids or detergents are safe and effective for use with nylon scouring pads, sponges, Mr. Clean® Magic Eraser® or other similar products. Mineral-stain removers are acceptable as well. **Do not** use metal scouring pads.



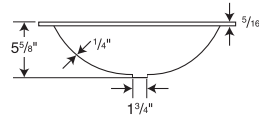
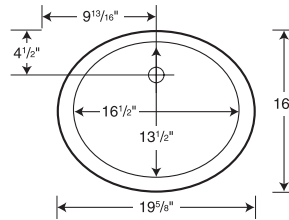
WARRANTY
 Limited Lifetime – Residential
 Limited 25-year – Commercial

Manufactured from Swanstone solid surface
 (See page 2 for detailed information.)

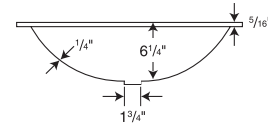
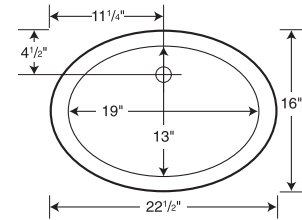
Recommended for high-use traffic areas and commercial surfaces.

FEATURES

- Reinforced solid surface means color and texture run all the way through and cannot wear away.
- Coordinates with other Swanstone products.
- Chemical resistant—acetone will not harm.
- Make-up and hair-dye can be buffed with household cleansers.
- Heat, stain and scratch resistant for lasting beauty.
- Undermount style bowl installs into most countertop materials, including solid surface, tile and granite.
- ADA-compliant when installed to ADA guidelines.



UL-1613
 Undermount
 Capacity: 1-3/4 gallons to overflow



UL-1913
 Undermount
 Capacity: 2 gallons to overflow

SPECIFICATIONS

Undermount Vanity Bowls

| Model | Part | Nominal Dimensions | Ship Wt. Lb. | Ship FedEx | Carton Dims. In. | Cu. Ft. |
|-------------|-----------|-----------------------|--------------|------------|------------------|---------|
| UL-1613 | UL01613 | 13-1/2" D x 16-1/2" W | 8 | FedEx | 26 x 22 x 9 | 2.98 |
| UL-6613-6PK | UL0161306 | 13-1/2" D x 16-1/2" W | 50 | FedEx | 42 x 26 x 16 | 10.11 |
| UL-1913 | UL01913 | 13" D x 19" W | 15 | FedEx | 25 x 21 x 8 | 2.43 |
| UL-6913-6PK | UL0191306 | 13" D x 19" W | 74 | FedEx | 42 x 26 x 16 | 10.11 |

Includes: One compression-molded vanity bowl and complete installation instructions.

Packaging: Each unit is packed in a rectangular carton.

COLORS

(See inside back cover for color sample.)

Solid Colors:

- White (010)
- Bone (037)
- Bisque (018)
- Bright White (137)
- Pearl (138)

Aggregate Colors:

- Acorn (123)
- Almond Galaxy (046)
- Arctic Granite (035)
- Baby's Breath (168)
- Barley (091)
- Bermuda Sand (040)
- Canyon (124)
- Caraway Seed (169)
- Cloud Bone (126)
- Cloud White (125)
- Cornflower (063)
- Glacier (121)

- Golden Steppe (128)
- Gray Granite (042)
- Ice (130)
- Indian Grass (071)
- Mountain Haze (129)
- Night Sky (012)
- Pebble (072)
- Prairie (122)
- Sierra (094)
- Tahiti Desert (050)
- Tahiti Gray (053)
- Tahiti Ivory (059)
- Tahiti Matrix (058)
- Tahiti Sand (051)
- Tahiti Terra (055)
- Tahiti White (011)
- Tundra (131)
- Winter Wheat (060)

STANDARDS AND RATINGS

American National Standard Institute—ANSI Z124.3

International Association of Plumbing and Mechanical Officials (IAPMO)—Listed

cUPC listed—Certified to CSA Test Standard B45.5 by IAPMO

Uniform Plumbing Code (UPC)

For a complete list of tests and results see the Technical Data Sheet.

SUPPORT DOCUMENTS

Installation instructions available at swanstone.com.

MADE IN USA

MAINTENANCE AND CLEANING INFORMATION

Cleaning regularly with common household liquid cleaners is recommended. If necessary abrasive liquids or detergents are safe and effective for use with nylon scouring pads, sponges, Mr. Clean® Magic Eraser® or other similar products. Mineral-stain removers are acceptable as well. **Do not** use metal scouring pads.



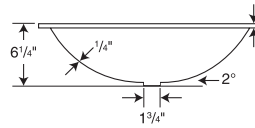
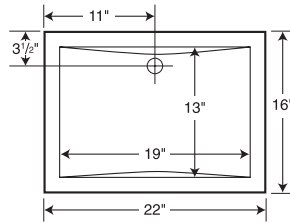
WARRANTY
 Limited Lifetime – Residential
 Limited 25-year – Commercial

Manufactured from Swanstone solid surface
 (See page 2 for detailed information.)

Recommended for high-use traffic areas and commercial surfaces.

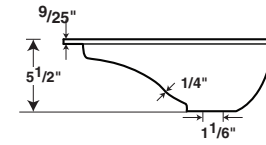
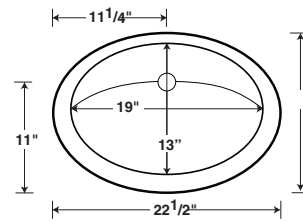
FEATURES

- Reinforced solid surface means color and texture run all the way through and cannot wear away.
- Coordinates with other Swanstone products.
- Chemical resistant—acetone will not harm.
- Make-up and hair-dye can be buffed with household cleansers.
- Heat, stain and scratch resistant for lasting beauty.
- Undermount style bowl installs into most countertop materials, including solid surface, tile and granite.
- ADA-compliant when installed to ADA guidelines.



UC-1913
Contour Undermount

Capacity: 2
gallons to overflow



ULAD-1913
Undermount

SPECIFICATIONS

Undermount Vanity Bowls

| Model | Part | Nominal Dimensions | Ship Wt. Lb. | Ship FedEx | Carton Dims. In. | Cu. Ft. |
|-----------|-----------|--------------------|--------------|------------|------------------|---------|
| UC-1913 | UCo1913 | 13" D x 19" W | 14 | FedEx | 25 x 21 x 8 | 2.43 |
| ULAD-1913 | ULADo1913 | 13" D x 19" W | 10 | FedEx | 23 x 21 x 7 | 2.25 |

Includes: One compression-molded vanity bowl and complete installation instructions.

Packaging: Each unit is packed in a rectangular carton.

STANDARDS AND RATINGS

American National Standard Institute—ANSI Z124.3

International Association of Plumbing and Mechanical Officials (IAPMO)—Listed

cUPC listed—Certified to CSA Test Standard B45.5 by IAPMO

Uniform Plumbing Code (UPC)

For a complete list of tests and results see the Technical Data Sheet.

SUPPORT DOCUMENTS

Installation instructions available at swanstone.com.

MADE IN USA

COLORS

(See inside back cover for color sample.)

Solid Colors:

- White (010)
- Bone (037)
- Bisque (018)
- Bright White (137)
- Pearl (138)

Aggregate Colors:

- Acorn (123) 🍂
- Almond Galaxy (046)
- Arctic Granite (035)
- Baby's Breath (168)
- Barley (091)
- Bermuda Sand (040)
- Canyon (124) 🍂
- Caraway Seed (169)
- Cloud Bone (126)
- Cloud White (125)
- Cornflower (063)
- Glacier (121) 🍂

- Golden Steppe (128)
- Gray Granite (042)
- Ice (130)
- Indian Grass (071)
- Mountain Haze (129)
- Night Sky (012)
- Pebble (072)
- Prairie (122) 🍂
- Sierra (094)
- Tahiti Desert (050)
- Tahiti Gray (053)
- Tahiti Ivory (059)
- Tahiti Matrix (058)
- Tahiti Sand (051)
- Tahiti Terra (055)
- Tahiti White (011)
- Tundra (131)
- Winter Wheat (060)

MAINTENANCE AND CLEANING INFORMATION

Cleaning regularly with common household liquid cleaners is recommended. If necessary abrasive liquids or detergents are safe and effective for use with nylon scouring pads, sponges, Mr. Clean® Magic Eraser® or other similar products. Mineral-stain removers are acceptable as well. **Do not** use metal scouring pads.

WARRANTY

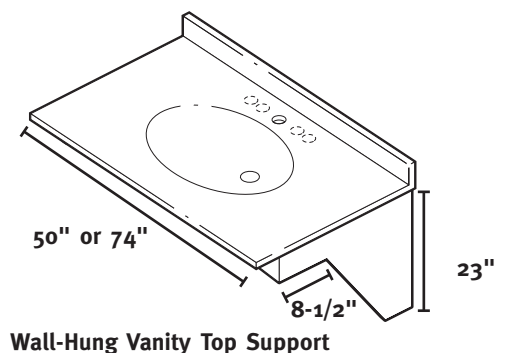
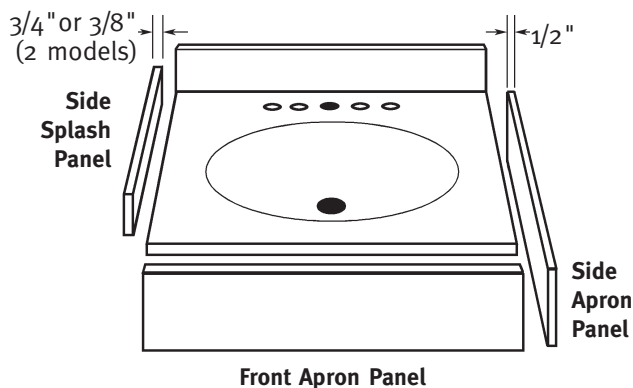
Limited Lifetime – Residential
 Limited 25-year – Commercial

Manufactured from Swanstone solid surface
 (See page 2 for detailed information.)

Recommended for high-use traffic areas and commercial surfaces.

SWANSTONE VANITY TOP ACCESSORIES

| Model | Part | Dimensions | Ship Wt. Lb. | Ship FedEx | Carton Dims. In. | Cu. Ft. |
|---|-----------|-------------------------------|--------------|------------|------------------|---------|
| Side Splash Panel for Vanity Tops (one per carton) | | | | | | |
| VT18-3SS | VT01803SS | 18" W x 3" H x 3/8" D | 2 | FedEx | 22 x 4 x 2 | .10 |
| VT19-SS | VT00019SS | 19" W x 3" H x 3/4" D | 3 | FedEx | 22 x 4 x 2 | .10 |
| VT21-3SS | VT02103SS | 21" W x 3" H x 3/8" D | 3 | FedEx | 22 x 4 x 2 | .10 |
| VT22-SS | VT00022SS | 22" W x 3" H x 3/4" D | 2 | FedEx | 22 x 4 x 2 | .10 |
| Side Splash Panel for Chesapeake (one per carton) | | | | | | |
| CHVTSS | CHVTSS | 21-5/8" W x 3-1/2" H x 3/4" D | 3 | FedEx | 26 x 4 x 2 | .12 |
| Side Splash Panel for Europa (one per carton) | | | | | | |
| EVTSS | EV00022SS | 21-1/4" W x 3-1/2" H x 3/4" D | 3 | FedEx | 26 x 4 x 2 | .12 |
| Front Apron Panel (one per carton) | | | | | | |
| VT37FA | VT02237FA | 37" W x 8" H x 1/2" D | 10 | FedEx | 38 x 9 x 2 | .40 |
| VT55FA | VT02255FA | 55" W x 8" H x 1/2" D | 14 | FedEx | 56 x 9 x 2 | .58 |
| VT61FA | VT02261FA | 61" W x 8" H x 1/2" D | 14 | FedEx | 62 x 9 x 2 | .65 |
| Side Apron Panel (one per carton) | | | | | | |
| VT22SA | VT00022SA | 21" W x 8" H x 1/2" D | 6 | FedEx | 22 x 9 x 2 | .23 |
| Wall-Hung Vanity Top Support | | | | | | |
| VTS-50ADA | VTS50ADA | 50" W x 23" H x 21-1/2" D | 20 | FedEx | 52 x 28 x 3 | 2.52 |
| VTS-74ADA | VTS74ADA | 74" W x 23" H x 21-1/2" D | 30 | - | 76 x 29 x 3 | 3.82 |



KITCHEN SINKS



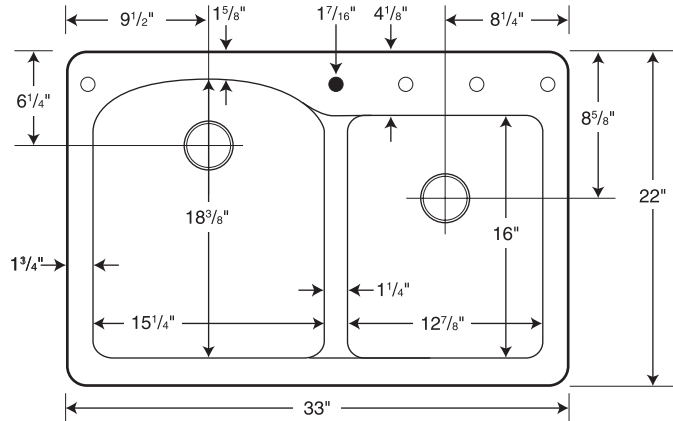
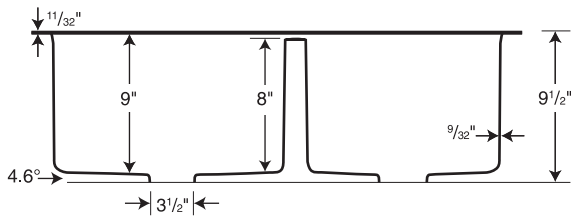
Manufactured from Quartz
(See page 2 for detailed information.)

Recommended for high-use traffic areas and commercial surfaces.

WARRANTY
Limited Lifetime – Residential
Limited 10-year – Commercial

FEATURES

- Made with 80% quartz stone, only a diamond is harder.
- Virtually indestructible, will not damage from kitchen use.
- Standard sink size.
- Ideal for remodeling or new construction.
- Offers design flexibility, installs as a drop-in or undermount.



○ Drill Points ● Pre-drilled

Capacity: 9-1/2 gallons in large (left) bowl,
7 gallons in small (right) bowl

SPECIFICATIONS

QZDB-3322 Double Bowl

| Model | Part | Nominal Dimensions | Ship Wt. Lb. | Ship FedEx | Carton Dims. In. | Cu. Ft. |
|-----------|-----------|------------------------------------|--------------|------------|------------------|---------|
| QZDB-3322 | QZ03322DB | 33" W x 22" D (838 mm x 559 mm) | 46 | FedEx | 41 x 30 x 20 | 14 |

ACCESSORIES

- QZ-22 Cutting Board

STANDARDS AND RATINGS

American National Standard Institute—ANSI Z124.6
International Association of Plumbing and Mechanical Officials (IAPMO) – listed
cUPC listed – Certified to CSA Standard B45 by IAPMO
Heat resistance to 392°F, 200°C

SUPPORT DOCUMENTS

Installation instructions available at swanstone.com.

COLORS

(See inside back cover for color sample.)

- Bianca (075)
- Espresso (170)
- Granito (076)
- Metallico (173)
- Nero (077)

MAINTENANCE AND CLEANING INFORMATION

Clean your Swan Granite Sink by using warm water and a soft clean cloth, sponge or Mr. Clean® Magic Eraser®. Non-abrasive liquid cleaners and detergents can also be used. Hard water, calcium and lime deposits can be removed with white vinegar on a paper towel and rinsing after 20 minutes. To restore luster and extend time between cleanings Weiman® Granite Cleaner & Polish is recommended. Staining liquids, such as dyes and vegetable juices should be rinsed off as soon as possible. **Do not** use abrasive cleaners, metal-scouring pads, and bleach or alkali cleaners, such as ammonia.

Undermount clips sold separately. Faucet options are limited to available hole placement. Please contact your dealer for more information.



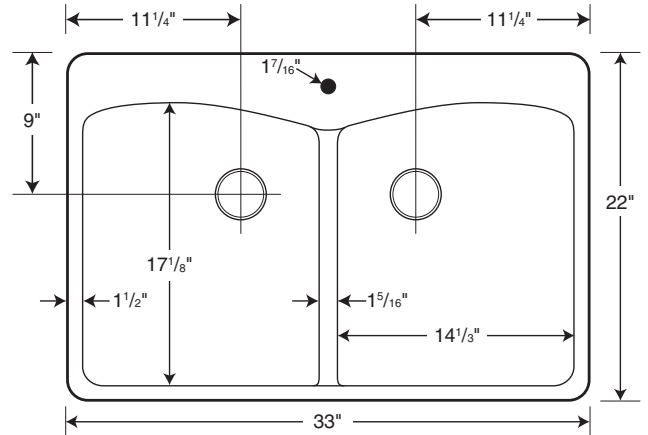
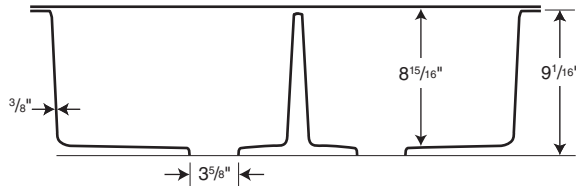
WARRANTY
 Limited Lifetime – Residential
 Limited 10-year – Commercial

Manufactured from Quartz
 (See page 2 for detailed information.)

Recommended for high-use traffic areas and commercial surfaces.

FEATURES

- Made with 80% quartz stone, only a diamond is harder.
- Virtually indestructible, will not damage from kitchen use.
- Standard sink size.
- Ideal for remodeling or new construction.
- Offers design flexibility, installs as a drop-in or undermount.



○ Drill Points ● Pre-drilled

Capacity: 9-1/2 gallons per each bowl

SPECIFICATIONS

QZED-3322 Large/Small Bowl

| Model | Part | Nominal Dimensions | Ship Wt. Lb. | Ship FedEx | Carton Dims. In. | Cu. Ft. |
|-----------|-----------|------------------------------------|--------------|------------|------------------|---------|
| QZED-3322 | QZ03322ED | 33" W x 22" D (838 mm x 559 mm) | 50 | FedEx | 37 x 25 x 13 | 6.96 |

ACCESSORIES

- QZ-22 Cutting Board

STANDARDS AND RATINGS

American National Standard Institute—ANSI Z124.6
 International Association of Plumbing and Mechanical Officials (IAPMO) – listed
 cUPC listed – Certified to CSA Standard B45 by IAPMO
 Heat resistance to 392°F, 200°C

SUPPORT DOCUMENTS

Installation instructions available at swanstone.com.

COLORS

(See inside back cover for color sample.)

- Bianca (075)
- Espresso (170)
- Granito (076)
- Metallico (173)
- Nero (077)

MAINTENANCE AND CLEANING INFORMATION

Clean your Swan Granite Sink by using warm water and a soft clean cloth, sponge or Mr. Clean® Magic Eraser®. Non-abrasive liquid cleaners and detergents can also be used. Hard water, calcium and lime deposits can be removed with white vinegar on a paper towel and rinsing after 20 minutes. To restore luster and extend time between cleanings Weiman® Granite Cleaner & Polish is recommended. Staining liquids, such as dyes and vegetable juices should be rinsed off as soon as possible. **Do not** use abrasive cleaners, metal-scouring pads, and bleach or alkali cleaners, such as ammonia.

Undermount clips sold separately. Faucet options are limited to available hole placement. Please contact your dealer for more information.

KITCHEN SINKS



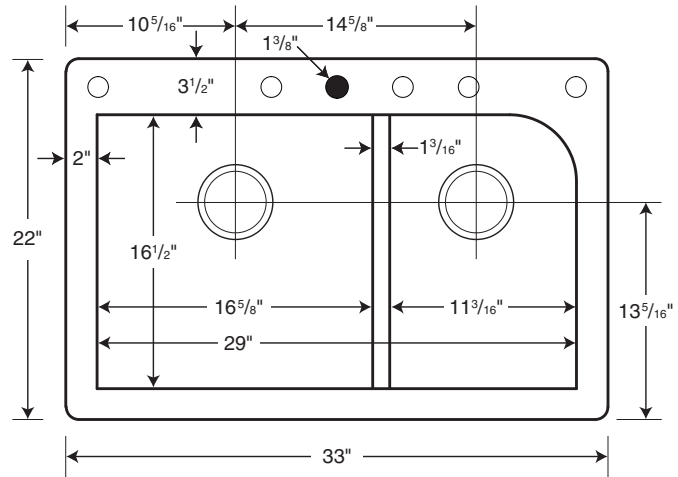
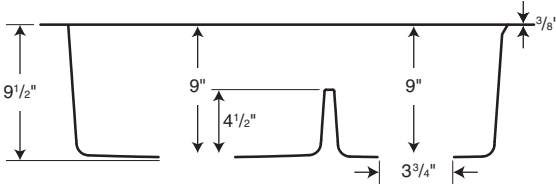
Manufactured from Quartz
(See page 2 for detailed information.)

Recommended for high-use traffic areas and commercial surfaces.

WARRANTY
Limited Lifetime – Residential
Limited 10-year – Commercial

FEATURES

- Low divider provides a functionality of a single bowl with practicality of a double bowl.
- Made with 80% quartz stone, only a diamond is harder.
- Virtually indestructible, will not damage from everyday kitchen use.
- Standard sink size.
- Ideal for remodeling or new construction.
- Offers design flexibility, installs as a drop-in or undermount.



○ Drill Points ● Pre-drilled
Capacity: 10 gallons in left bowl, 7 gallons in right bowl

SPECIFICATIONS

QZLD-3322 Low Divide Double Bowl

| Model | Part | Nominal Dimensions | Ship Wt. Lb. | Ship FedEx | Carton Dims. In. | Cu. Ft. |
|-----------|-----------|------------------------------------|--------------|------------|------------------|---------|
| QZLD-3322 | QZ03322LD | 33" W x 22" D (838 mm x 559 mm) | 48 | FedEx | 37 x 25 x 13 | 6.96 |

COLORS

(See inside back cover for color sample.)

- Bianca (075)
- Espresso (170)
- Granito (076)
- Metallico (173)
- Nero (077)

MAINTENANCE AND CLEANING INFORMATION

Clean your Swan Granite Sink by using warm water and a soft clean cloth, sponge or Mr. Clean® Magic Eraser®. Non-abrasive liquid cleaners and detergents can also be used. Hard water, calcium and lime deposits can be removed with white vinegar on a paper towel and rinsing after 20 minutes. To restore luster and extend time between cleanings Weiman® Granite Cleaner & Polish is recommended. Staining liquids, such as dyes and vegetable juices should be rinsed off as soon as possible. **Do not** use abrasive cleaners, metal-scouring pads, and bleach or alkali cleaners, such as ammonia.

STANDARDS AND RATINGS

American National Standard Institute—ANSI Z124.6
International Association of Plumbing and Mechanical Officials (IAPMO) – listed
cUPC listed – Certified to CSA Standard B45 by IAPMO
Heat resistance to 392°F, 200°C

SUPPORT DOCUMENTS

Installation instructions available at swanstone.com.

Undermount clips sold separately. Faucet options are limited to available hole placement. Please contact your dealer for more information.



WARRANTY

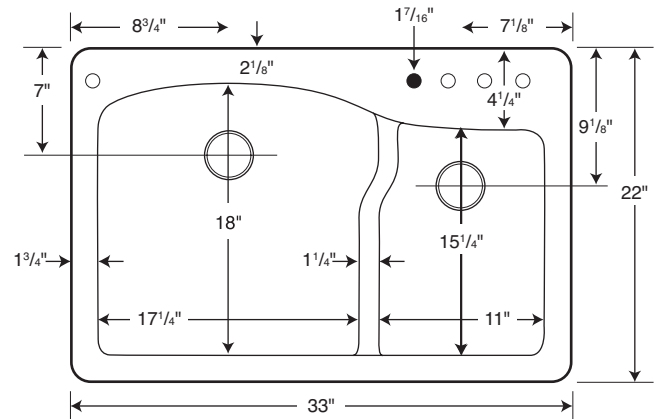
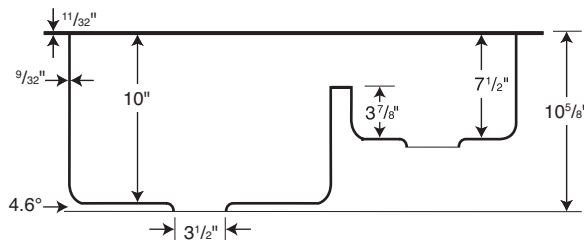
Limited Lifetime – Residential
 Limited 10-year – Commercial

Manufactured from Quartz
 (See page 2 for detailed information.)

Recommended for high-use traffic areas and commercial surfaces.

FEATURES

- Made with 80% quartz stone, only a diamond is harder.
- Virtually indestructible, will not damage from kitchen use.
- Standard sink size.
- Ideal for remodeling or new construction.
- Offers design flexibility, installs as a drop-in or undermount.



○ Drill Points ● Pre-drilled
 Capacity: 8-1/2 gallons in large (left) bowl until it reaches the divider height, 2-1/4 gallons in small (right) bowl until it reaches the divider height

SPECIFICATIONS

QZLS-3322 Large/Small Bowl

| Model | Part | Nominal Dimensions | Ship Wt. Lb. | Ship FedEx | Carton Dims. In. | Cu. Ft. |
|-----------|-----------|------------------------------------|--------------|------------|------------------|---------|
| QZLS-3322 | QZ03322LS | 33" W x 22" D (838 mm x 559 mm) | 60 | FedEx | 39 x 26 x 13 | 7.63 |

ACCESSORIES

- QZ-22 Cutting Board

STANDARDS AND RATINGS

American National Standard Institute—ANSI Z124.6
 International Association of Plumbing and Mechanical Officials (IAPMO) – listed cUPC listed – Certified to CSA Standard B45 by IAPMO
 Heat resistance to 392°F, 200°C

SUPPORT DOCUMENTS

Installation instructions available at swanstone.com.

COLORS

(See inside back cover for color sample.)

- Bianca (075)
- Espresso (170)
- Granito (076)
- Metallico (173)
- Nero (077)

MAINTENANCE AND CLEANING INFORMATION

Clean your Swan Granite Sink by using warm water and a soft clean cloth, sponge or Mr. Clean® Magic Eraser®. Non-abrasive liquid cleaners and detergents can also be used. Hard water, calcium and lime deposits can be removed with white vinegar on a paper towel and rinsing after 20 minutes. To restore luster and extend time between cleanings Weiman® Granite Cleaner & Polish is recommended. Staining liquids, such as dyes and vegetable juices should be rinsed off as soon as possible. **Do not** use abrasive cleaners, metal-scouring pads, and bleach or alkali cleaners, such as ammonia.

Undermount clips sold separately. Faucet options are limited to available hole placement. Please contact your dealer for more information.

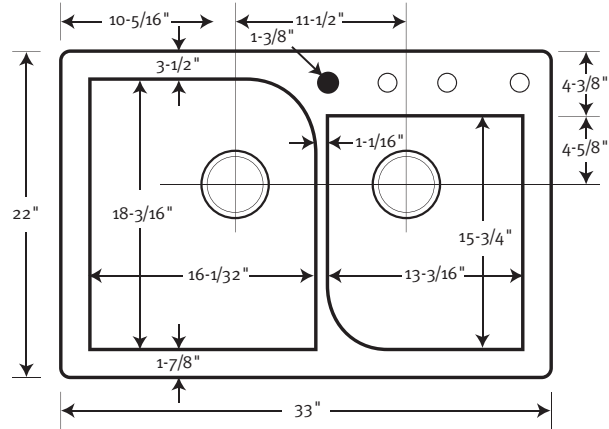
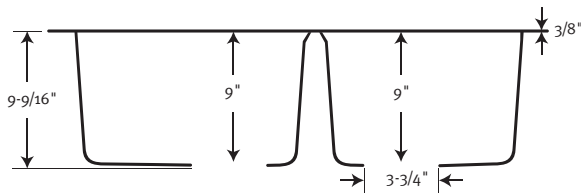
Manufactured from Quartz
(See page 2 for detailed information.)

Recommended for high-use traffic areas and commercial surfaces.

WARRANTY
Limited Lifetime – Residential
Limited 10-year – Commercial

FEATURES

- Made with 80% quartz stone, only a diamond is harder.
- Virtually indestructible, will not damage from kitchen use.
- Standard sink size.
- Ideal for remodeling or new construction.
- Offers design flexibility, installs as a drop-in or undermount.



○ Drill Points ● Pre-drilled

Capacity: 11 gallons in large (left) bowl,
and 7-1/4 gallons in small (right) bowl

SPECIFICATIONS

QZRC-3322 Offset Double Bowl

| Model | Part | Nominal Dimensions | Ship Wt. Lb. | Ship FedEx | Carton Dims. In. | Cu. Ft. |
|-----------|-----------|------------------------------------|--------------|------------|------------------|---------|
| QZRC-3322 | QZ03322RC | 33" W x 22" D (838 mm x 559 mm) | 48 | FedEx | 37 x 25 x 13 | 6.96 |

COLORS

(See inside back cover for color sample.)

- Bianca (075)
- Espresso (170)
- Granito (076)
- Metallico (173)
- Nero (077)

MAINTENANCE AND CLEANING INFORMATION

Clean your Swan Granite Sink by using warm water and a soft clean cloth, sponge or Mr. Clean® Magic Eraser®. Non-abrasive liquid cleaners and detergents can also be used. Hard water, calcium and lime deposits can be removed with white vinegar on a paper towel and rinsing after 20 minutes. To restore luster and extend time between cleanings Weiman® Granite Cleaner & Polish is recommended. Staining liquids, such as dyes and vegetable juices should be rinsed off as soon as possible. **Do not** use abrasive cleaners, metal-scouring pads, and bleach or alkali cleaners, such as ammonia.

STANDARDS AND RATINGS

American National Standard Institute—ANSI Z124.6

International Association of Plumbing and Mechanical Officials (IAPMO) – listed cUPC listed – Certified to CSA Standard B45 by IAPMO

Heat resistance to 392°F, 200°C

SUPPORT DOCUMENTS

Installation instructions available at swanstone.com.

Undermount clips sold separately. Faucet options are limited to available hole placement. Please contact your dealer for more information.

WARRANTY

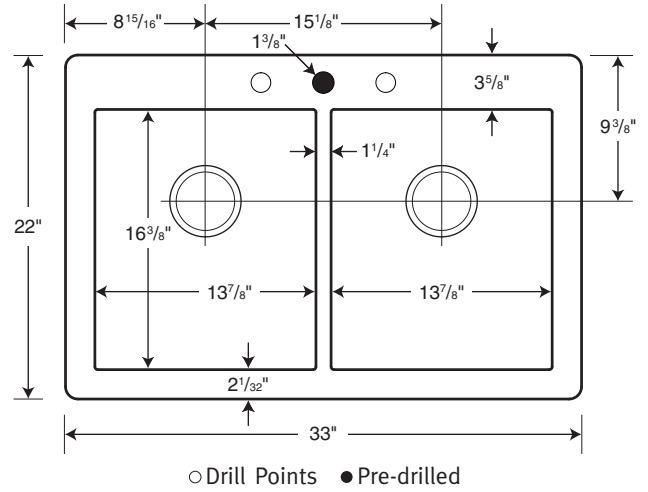
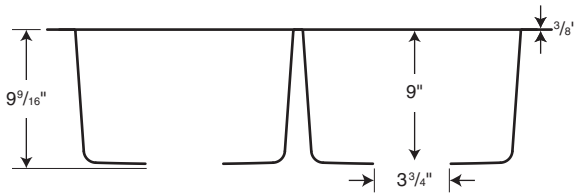
Limited Lifetime – Residential
Limited 10-year – Commercial

Manufactured from Quartz
(See page 2 for detailed information.)

Recommended for high-use traffic areas and commercial surfaces.

FEATURES

- Made with 80% quartz stone, only a diamond is harder.
- Virtually indestructible, will not damage from kitchen use.
- Standard sink size.
- Ideal for remodeling or new construction.
- Offers design flexibility, installs as a drop-in or undermount.



Capacity: 8-1/2 gallons per each bowl

SPECIFICATIONS

QZSQ-3322 Equal Double Bowl

| Model | Part | Nominal Dimensions | Ship Wt. Lb. | Ship FedEx | Carton Dims. In. | Cu. Ft. |
|-----------|-----------|------------------------------------|--------------|------------|------------------|---------|
| QZSQ-3322 | QZ03322SQ | 33" W x 22" D (838 mm x 559 mm) | 48 | FedEx | 37 x 25 x 13 | 6.96 |

COLORS

(See inside back cover for color sample.)

- Bianca (075)
- Espresso (170)
- Granito (076)
- Metallico (173)
- Nero (077)

MAINTENANCE AND CLEANING INFORMATION

Clean your Swan Granite Sink by using warm water and a soft clean cloth, sponge or Mr. Clean® Magic Eraser®. Non-abrasive liquid cleaners and detergents can also be used. Hard water, calcium and lime deposits can be removed with white vinegar on a paper towel and rinsing after 20 minutes. To restore luster and extend time between cleanings Weiman® Granite Cleaner & Polish is recommended. Staining liquids, such as dyes and vegetable juices should be rinsed off as soon as possible. **Do not** use abrasive cleaners, metal-scouring pads, and bleach or alkali cleaners, such as ammonia.

STANDARDS AND RATINGS

American National Standard Institute—ANSI Z124.6
International Association of Plumbing and Mechanical Officials (IAPMO) – listed
cUPC listed – Certified to CSA Standard B45 by IAPMO
Heat resistance to 392°F, 200°C

SUPPORT DOCUMENTS

Installation instructions available at swanstone.com.

Undermount clips sold separately. Faucet options are limited to available hole placement. Please contact your dealer for more information.



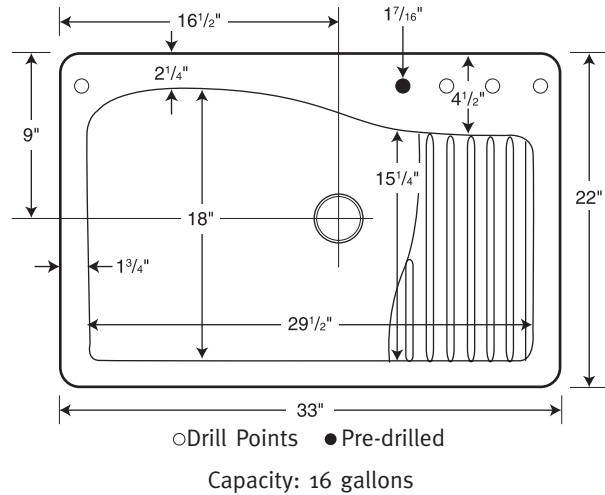
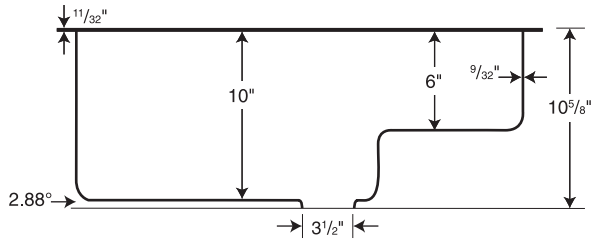
WARRANTY
 Limited Lifetime – Residential
 Limited 10-year – Commercial

Manufactured from Quartz
 (See page 2 for detailed information.)

Recommended for high-use traffic areas and commercial surfaces.

FEATURES

- Made with 80% quartz stone, only a diamond is harder.
- Virtually indestructible, will not damage from kitchen use.
- Standard sink size.
- Ideal for remodeling or new construction.
- Offers design flexibility, installs as a drop-in or undermount.



SPECIFICATIONS

QZAD-3322 Large Single Ascend™ Bowl

| Model | Part | Nominal Dimensions | Ship Wt. Lb. | Ship FedEx | Carton Dims. In. | Cu. Ft. |
|-----------|-----------|------------------------------------|--------------|------------|------------------|---------|
| QZAD-3322 | QZ03322AD | 33" W x 22" D (838 mm x 559 mm) | 54 | FedEx | 39 x 26 x 13 | 7.63 |

ACCESSORIES

- QZ-22 Cutting Board

STANDARDS AND RATINGS

American National Standard Institute—ANSI Z124.6
 International Association of Plumbing and Mechanical Officials (IAPMO) – listed
 cUPC listed – Certified to CSA Standard B45 by IAPMO
 Heat resistance to 392°F, 200°C

SUPPORT DOCUMENTS

Installation instructions available at swanstone.com.

COLORS

(See inside back cover for color sample.)

- Bianca (075)
- Espresso (170)
- Granito (076)
- Nero (077)

MAINTENANCE AND CLEANING INFORMATION

Clean your Swan Granite Sink by using warm water and a soft clean cloth, sponge or Mr. Clean® Magic Eraser®. Non-abrasive liquid cleaners and detergents can also be used. Hard water, calcium and lime deposits can be removed with white vinegar on a paper towel and rinsing after 20 minutes. To restore luster and extend time between cleanings Weiman® Granite Cleaner & Polish is recommended. Staining liquids, such as dyes and vegetable juices should be rinsed off as soon as possible. **Do not** use abrasive cleaners, metal-scouring pads, and bleach or alkali cleaners, such as ammonia.

Undermount clips sold separately. Faucet options are limited to available hole placement. Please contact your dealer for more information.



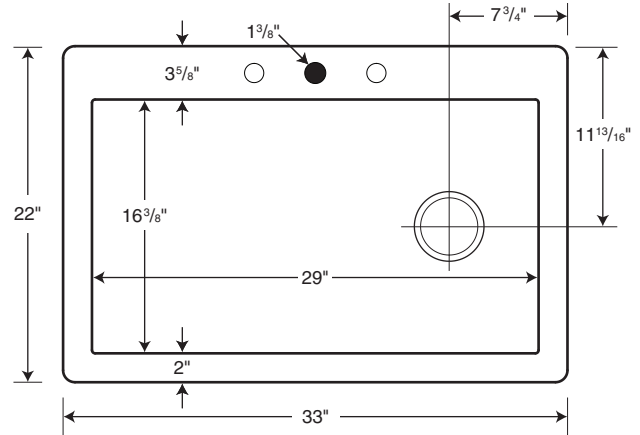
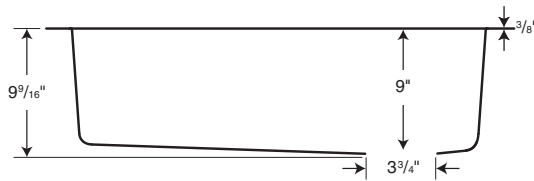
WARRANTY
 Limited Lifetime – Residential
 Limited 10-year – Commercial

Manufactured from Quartz
 (See page 2 for detailed information.)

Recommended for high-use traffic areas and commercial surfaces.

FEATURES

- Made with 80% quartz stone, only a diamond is harder.
- Virtually indestructible, will not damage from kitchen use.
- Standard sink size.
- Ideal for remodeling or new construction.
- Offers design flexibility, installs as a drop-in or undermount.



○ Drill Points ● Pre-drilled

Capacity: 18 gallons

SPECIFICATIONS

QZSB-3322 Single Bowl

| Model | Part | Nominal Dimensions | Ship Wt. Lb. | Ship FedEx | Carton Dims. In. | Cu. Ft. |
|-----------|-----------|------------------------------------|--------------|------------|------------------|---------|
| QZSB-3322 | QZ03322SB | 33" W x 22" D (838 mm x 559 mm) | 48 | FedEx | 37 x 25 x 13 | 6.96 |

COLORS

(See inside back cover for color sample.)

- Bianca (075)
- Espresso (170)
- Granito (076)
- Metallico (173)
- Nero (077)

MAINTENANCE AND CLEANING INFORMATION

Clean your Swan Granite Sink by using warm water and a soft clean cloth, sponge or Mr. Clean® Magic Eraser®. Non-abrasive liquid cleaners and detergents can also be used. Hard water, calcium and lime deposits can be removed with white vinegar on a paper towel and rinsing after 20 minutes. To restore luster and extend time between cleanings Weiman® Granite Cleaner & Polish is recommended. Staining liquids, such as dyes and vegetable juices should be rinsed off as soon as possible. **Do not** use abrasive cleaners, metal-scouring pads, and bleach or alkali cleaners, such as ammonia.

STANDARDS AND RATINGS

American National Standard Institute—ANSI Z124.6
 International Association of Plumbing and Mechanical Officials (IAPMO) – listed cUPC listed – Certified to CSA Standard B45 by IAPMO
 Heat resistance to 392°F, 200°C

SUPPORT DOCUMENTS

Installation instructions available at swanstone.com.

Undermount clips sold separately. Faucet options are limited to available hole placement. Please contact your dealer for more information.



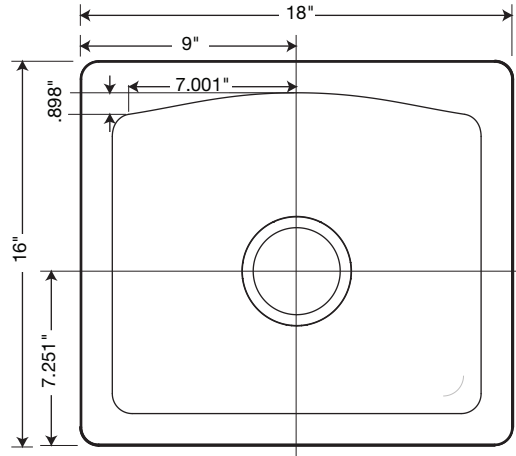
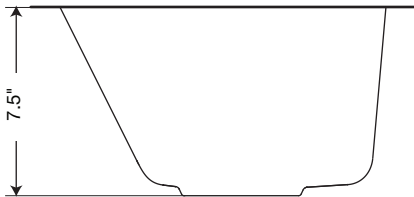
Manufactured from Quartz
(See page 2 for detailed information.)

Recommended for high-use traffic areas and commercial surfaces.

WARRANTY
Limited Lifetime – Residential
Limited 10-year – Commercial

FEATURES

- Made with 80% quartz natural stone, only a diamond is harder.
- Superb heat and scratch resistance.
- Large, deep bowl is beautiful and versatile.
- Ideal as a kitchen island sink.
- Installs as a drop-in or undermount.



Capacity: 3-1/2 gallons

SPECIFICATIONS

QZBS-1816 Granite Bar Sink

| Model | Part | Nominal Dimensions | Ship Wt. Lb. | Ship FedEx | Carton Dims. In. | Cu. Ft. |
|-----------|-----------|------------------------------------|--------------|------------|------------------|---------|
| QZBS-1816 | QZ01816BS | 18" W x 16" D (457 mm x 406 mm) | 17 | FedEx | 21 x 19 x 12 | 2.88 |

COLORS

(See inside back cover for color sample.)

- Bianca (075)
- Espresso (170)
- Granito (076)
- Nero (077)

STANDARDS AND RATINGS

American National Standard Institute—ANSI Z124.6
International Association of Plumbing and Mechanical Officials (IAPMO) – listed
cUPC listed – Certified to CSA Standard B45 by IAPMO
Heat resistance to 392°F, 200°C

MAINTENANCE AND CLEANING INFORMATION

Clean your Swan Granite Sink by using warm water and a soft clean cloth, sponge or Mr. Clean® Magic Eraser®. Non-abrasive liquid cleaners and detergents can also be used. Hard water, calcium and lime deposits can be removed with white vinegar on a paper towel and rinsing after 20 minutes. To restore luster and extend time between cleanings Weiman® Granite Cleaner & Polish is recommended. Staining liquids, such as dyes and vegetable juices should be rinsed off as soon as possible. Do not use abrasive cleaners, metal-scouring pads, and bleach or alkali cleaners, such as ammonia.

SUPPORT DOCUMENTS

Installation instructions available at swanstone.com.

Undermount clips sold separately. Faucet options are limited to available hole placement. Please contact your dealer for more information.



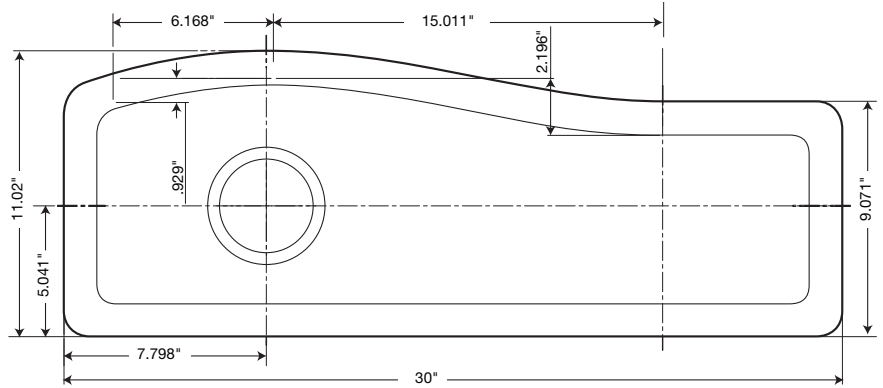
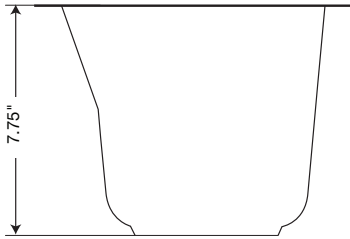
WARRANTY
 Limited Lifetime – Residential
 Limited 10-year – Commercial

Manufactured from Quartz
 (See page 2 for detailed information.)

Recommended for high-use traffic areas and commercial surfaces.

FEATURES

- Made with 80% quartz natural stone, only a diamond is harder.
- Ideal for bar and food prep and cleanup.
- Superb heat and scratch resistance.
- Installs as a drop-in or undermount.



Capacity: 4-1/2 gallons

SPECIFICATIONS

QZES-3011 Granite Entertainment Sink

| Model | Part | Nominal Dimensions | Ship Wt. Lb. | Ship FedEx | Carton Dims. In. | Cu. Ft. |
|-----------|-----------|------------------------------------|--------------|------------|------------------|---------|
| QZES-3011 | QZ03011ES | 30" W x 11" D (761 mm x 280 mm) | 18 | FedEx | 33 x 14 x 12 | 3.18 |

COLORS

(See inside back cover for color sample.)

- Bianca (075)
- Espresso (170)
- Granito (076)
- Nero (077)

STANDARDS AND RATINGS

American National Standard Institute—ANSI Z124.6
 International Association of Plumbing and Mechanical Officials (IAPMO) – listed
 cUPC listed – Certified to CSA Standard B45 by IAPMO
 Heat resistance to 392°F, 200°C

MAINTENANCE AND CLEANING INFORMATION

Clean your Swan Granite Sink by using warm water and a soft clean cloth, sponge or Mr. Clean® Magic Eraser®. Non-abrasive liquid cleaners and detergents can also be used. Hard water, calcium and lime deposits can be removed with white vinegar on a paper towel and rinsing after 20 minutes. To restore luster and extend time between cleanings Weiman® Granite Cleaner & Polish is recommended. Staining liquids, such as dyes and vegetable juices should be rinsed off as soon as possible. **Do not** use abrasive cleaners, metal-scouring pads, and bleach or alkali cleaners, such as ammonia.

SUPPORT DOCUMENTS

Installation instructions available at swanstone.com.

Undermount clips sold separately. Faucet options are limited to available hole placement. Please contact your dealer for more information.

Manufactured from Quartz
(See page 2 for detailed information.)

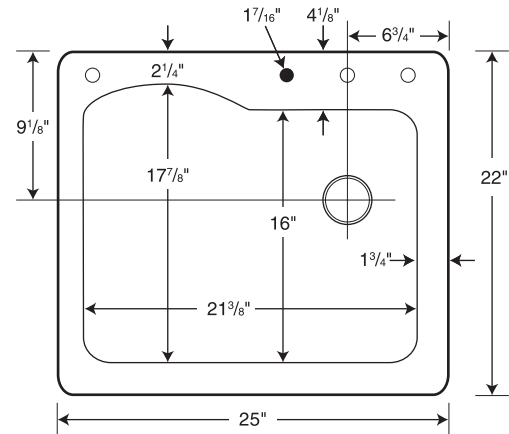
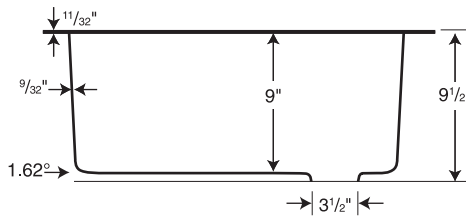
Recommended for high-use traffic areas and commercial surfaces.

WARRANTY

Limited Lifetime – Residential
Limited 10-year – Commercial

FEATURES

- Made with 80% quartz stone, only a diamond is harder.
- Virtually indestructible, will not damage from kitchen use.
- Standard sink size.
- Ideal for remodeling or new construction.
- Offers design flexibility, installs as a drop-in or undermount.



○ Drill Points ● Pre-drilled

Capacity: 13 gallons

SPECIFICATIONS

QZSB-2522 Single Bowl

| Model | Part | Nominal Dimensions | Ship Wt. Lb. | Ship FedEx | Carton Dims. In. | Cu. Ft. |
|-----------|-----------|------------------------------------|--------------|------------|------------------|---------|
| QZSB-2522 | QZ02522SB | 25" W x 22" D (635 mm x 559 mm) | 40 | FedEx | 33 x 30 x 18 | 10.31 |

ACCESSORIES

- QZ-22 Cutting Board

STANDARDS AND RATINGS

American National Standard Institute—ANSI Z124.6

International Association of Plumbing and Mechanical Officials (IAPMO) – listed cUPC listed – Certified to CSA Standard B45 by IAPMO

Heat resistance to 392°F, 200°C

SUPPORT DOCUMENTS

Installation instructions available at swanstone.com.

COLORS

(See inside back cover for color sample.)

- Bianca (075)
- Espresso (170)
- Granito (076)
- Nero (077)

MAINTENANCE AND CLEANING INFORMATION

Clean your Swan Granite Sink by using warm water and a soft clean cloth, sponge or Mr. Clean® Magic Eraser®. Non-abrasive liquid cleaners and detergents can also be used. Hard water, calcium and lime deposits can be removed with white vinegar on a paper towel and rinsing after 20 minutes. To restore luster and extend time between cleanings Weiman® Granite Cleaner & Polish is recommended. Staining liquids, such as dyes and vegetable juices should be rinsed off as soon as possible. **Do not** use abrasive cleaners, metal-scouring pads, and bleach or alkali cleaners, such as ammonia.

Undermount clips sold separately. Faucet options are limited to available hole placement. Please contact your dealer for more information.



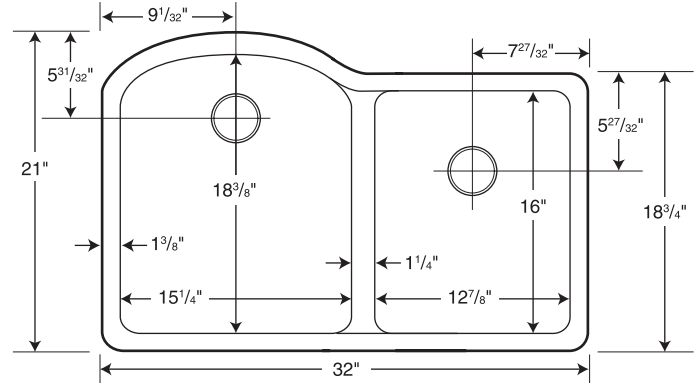
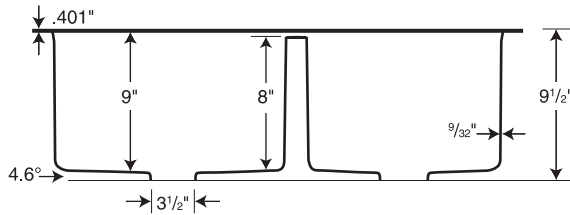
WARRANTY
Limited Lifetime – Residential
Limited 10-year – Commercial

Manufactured from Quartz
(See page 2 for detailed information.)

Recommended for high-use traffic areas and commercial surfaces.

FEATURES

- Made with 80% quartz stone, only a diamond is harder.
- Virtually indestructible, will not damage from kitchen use.
- Ideal for remodeling or new construction.
- Mounts under most countertop materials including granite, quartz, solid surface and tile.



Capacity: 9-1/2 gallons in large (left) bowl, 7 gallons in small (right) bowl

SPECIFICATIONS

QUDB-3322 Granite Double Bowl

| Model | Part | Nominal Dimensions | Ship Wt. Lb. | Ship FedEx | Carton Dims. In. | Cu. Ft. |
|-----------|-----------|------------------------------------|--------------|------------|------------------|---------|
| QUDB-3322 | QU03322DB | 32" W x 21" D (813 mm x 533 mm) | 53 | FedEx | 39 x 28 x 13 | 8.22 |

COLORS

(See inside back cover for color sample.)

- Bianca (075)
- Espresso (170)
- Granito (076)
- Metallico (173)
- Nero (077)

MAINTENANCE AND CLEANING INFORMATION

Clean your Swan Granite Sink by using warm water and a soft clean cloth, sponge or Mr. Clean® Magic Eraser®. Non-abrasive liquid cleaners and detergents can also be used. Hard water, calcium and lime deposits can be removed with white vinegar on a paper towel and rinsing after 20 minutes. To restore luster and extend time between cleanings Weiman® Granite Cleaner & Polish is recommended. Staining liquids, such as dyes and vegetable juices should be rinsed off as soon as possible. **Do not** use abrasive cleaners, metal-scouring pads, and bleach or alkali cleaners, such as ammonia.

STANDARDS AND RATINGS

American National Standard Institute—ANSI Z124.6
International Association of Plumbing and Mechanical Officials (IAPMO) – listed cUPC listed – Certified to CSA Standard B45 by IAPMO
Heat resistance to 392°F, 200°C

SUPPORT DOCUMENTS

Installation instructions available at swanstone.com.

KITCHEN SINKS



QUED-3322 Even Double Bowl

GRANITE UNDERMOUNT KITCHEN SINKS

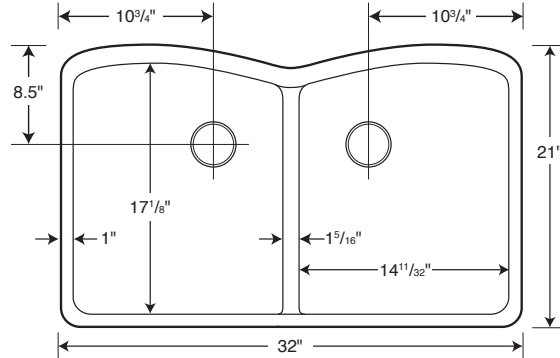
WARRANTY
 Limited Lifetime – Residential
 Limited 10-year – Commercial

Manufactured from Quartz
 (See page 2 for detailed information.)

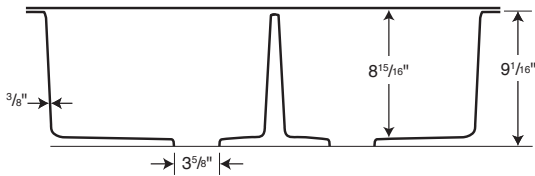
Recommended for high-use traffic areas and commercial surfaces.

FEATURES

- Made with 80% quartz stone, only a diamond is harder.
- Virtually indestructible, will not damage from kitchen use.
- Standard sink size.
- Ideal for remodeling or new construction.
- Mounts under most countertop materials including granite, quartz, solid surface and tile.



Capacity: 9-1/2 gallons per each bowl



SPECIFICATIONS

QUAD-3322 Even Double Bowl

| Model | Part | Nominal Dimensions | Ship Wt. Lb. | Ship FedEx | Carton Dims. In. | Cu. Ft. |
|-----------|-----------|------------------------------------|--------------|------------|------------------|---------|
| QUED-3322 | QU03322ED | 32" W x 21" D (813 mm x 533 mm) | 50 | FedEx | 37 x 25 x 21 | 6.96 |

COLORS

(See inside back cover for color sample.)

- Bianca (075)
- Espresso (170)
- Granito (076)
- Metallico (173)
- Nero (077)

MAINTENANCE AND CLEANING INFORMATION

Clean your Swan Granite Sink by using warm water and a soft clean cloth, sponge or Mr. Clean® Magic Eraser®. Non-abrasive liquid cleaners and detergents can also be used. Hard water, calcium and lime deposits can be removed with white vinegar on a paper towel and rinsing after 20 minutes. To restore luster and extend time between cleanings Weiman® Granite Cleaner & Polish is recommended. Staining liquids, such as dyes and vegetable juices should be rinsed off as soon as possible. **Do not** use abrasive cleaners, metal-scouring pads, and bleach or alkali cleaners, such as ammonia.

STANDARDS AND RATINGS

American National Standard Institute—ANSI Z124.6
 International Association of Plumbing and Mechanical Officials (IAPMO) – listed
 cUPC listed – Certified to CSA Standard B45 by IAPMO
 Heat resistance to 392°F, 200°C

SUPPORT DOCUMENTS

Installation instructions available at swanstone.com.

Undermount clips sold separately. Faucet options are limited to available hole placement. Please contact your dealer for more information.



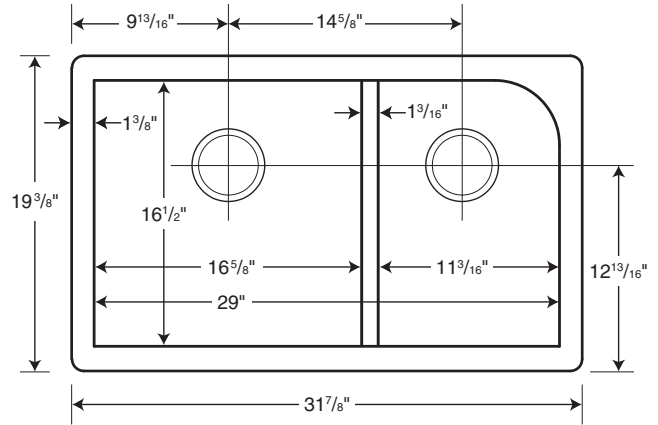
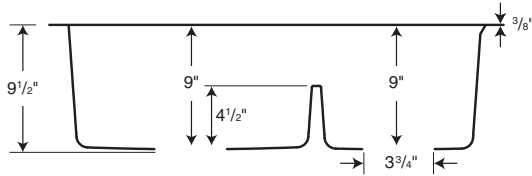
WARRANTY
Limited Lifetime – Residential
Limited 10-year – Commercial

Manufactured from Quartz
(See page 2 for detailed information.)

Recommended for high-use traffic areas and commercial surfaces.

FEATURES

- Low divider provides functionality of a single bowl with practicality of a double bowl.
- Made with 80% quartz stone, only a diamond is harder.
- Virtually indestructible, will not damage from kitchen use.
- Standard size is ideal for remodeling or new construction.
- Mounts under most countertop materials including granite, quartz, solid surface and tile.



Capacity: 10 gallons in left bowl, 7 gallons in right bowl

SPECIFICATIONS

QU LD-3322 Low Divide Double Bowl

| Model | Part | Nominal Dimensions | Ship Wt. Lb. | Ship FedEx | Carton Dims. In. | Cu. Ft. |
|------------|-----------|------------------------------------|--------------|------------|------------------|---------|
| QU LD-3322 | QU03322LD | 32" W x 21" D (813 mm x 533 mm) | 48 | FedEx | 37 x 25 x 13 | 6.96 |

COLORS

(See inside back cover for color sample.)

- Bianca (075)
- Espresso (170)
- Granito (076)
- Metallico (173)
- Nero (077)

MAINTENANCE AND CLEANING INFORMATION

Clean your Swan Granite Sink by using warm water and a soft clean cloth, sponge or Mr. Clean® Magic Eraser®. Non-abrasive liquid cleaners and detergents can also be used. Hard water, calcium and lime deposits can be removed with white vinegar on a paper towel and rinsing after 20 minutes. To restore luster and extend time between cleanings Weiman® Granite Cleaner & Polish is recommended. Staining liquids, such as dyes and vegetable juices should be rinsed off as soon as possible. **Do not** use abrasive cleaners, metal-scouring pads, and bleach or alkali cleaners, such as ammonia.

STANDARDS AND RATINGS

American National Standard Institute—ANSI Z124.6
International Association of Plumbing and Mechanical Officials (IAPMO) – listed
cUPC listed – Certified to CSA Standard B45 by IAPMO
Heat resistance to 392°F, 200°C

SUPPORT DOCUMENTS

Installation instructions available at swanstone.com.

Undermount clips sold separately. Faucet options are limited to available hole placement. Please contact your dealer for more information.



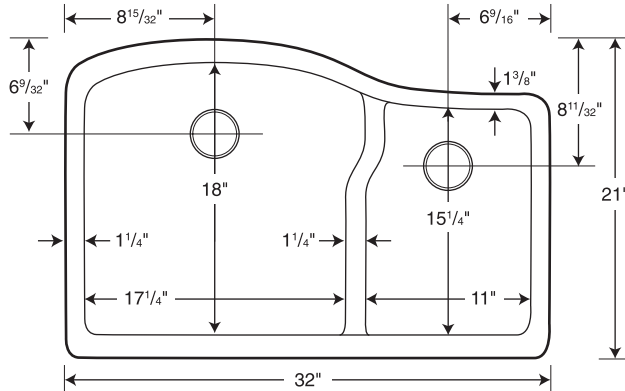
WARRANTY
Limited Lifetime – Residential
Limited 10-year – Commercial

Manufactured from Quartz
(See page 2 for detailed information.)

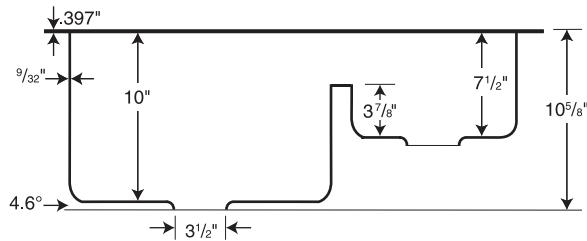
Recommended for high-use traffic areas and commercial surfaces.

FEATURES

- Made with 80% quartz stone, only a diamond is harder.
- Virtually indestructible, will not damage from kitchen use.
- Standard sink size.
- Ideal for remodeling or new construction.
- Mounts under most countertop materials including granite, quartz, solid surface and tile.



Capacity: 8-1/2 gallons in large (left) bowl until it reaches the divider height, 2-1/4 gallons in small (right) bowl until it reaches the divider height



SPECIFICATIONS

QULS-3322 Large/Small Bowl

| Model | Part | Nominal Dimensions | Ship Wt. Lb. | Ship FedEx | Carton Dims. In. | Cu. Ft. |
|-----------|-----------|------------------------------------|--------------|------------|------------------|---------|
| QULS-3322 | QU03322LS | 32" W x 21" D (813 mm x 533 mm) | 52 | FedEx | 36 x 26 x 15 | 8.12 |

COLORS

(See inside back cover for color sample.)

- Bianca (075)
- Espresso (170)
- Granito (076)
- Metallico (173)
- Nero (077)

MAINTENANCE AND CLEANING INFORMATION

Clean your Swan Granite Sink by using warm water and a soft clean cloth, sponge or Mr. Clean® Magic Eraser®. Non-abrasive liquid cleaners and detergents can also be used. Hard water, calcium and lime deposits can be removed with white vinegar on a paper towel and rinsing after 20 minutes. To restore luster and extend time between cleanings Weiman® Granite Cleaner & Polish is recommended. Staining liquids, such as dyes and vegetable juices should be rinsed off as soon as possible. **Do not** use abrasive cleaners, metal-scouring pads, and bleach or alkali cleaners, such as ammonia.

STANDARDS AND RATINGS

American National Standard Institute—ANSI Z124.6
International Association of Plumbing and Mechanical Officials (IAPMO) – listed
cUPC listed – Certified to CSA Standard B45 by IAPMO
Heat resistance to 392°F, 200°C

SUPPORT DOCUMENTS

Installation instructions available at swanstone.com.

Undermount clips sold separately. Faucet options are limited to available hole placement. Please contact your dealer for more information.



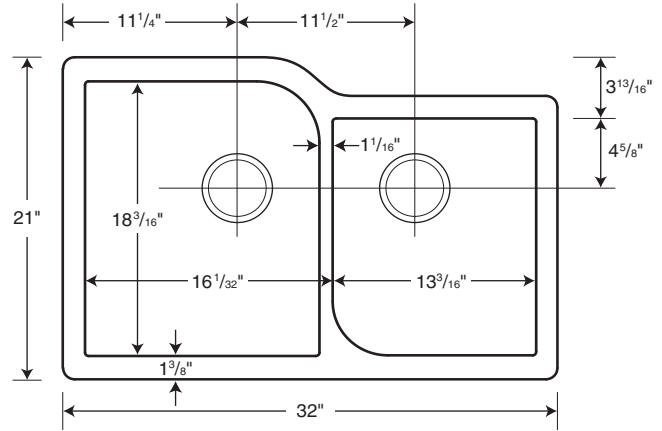
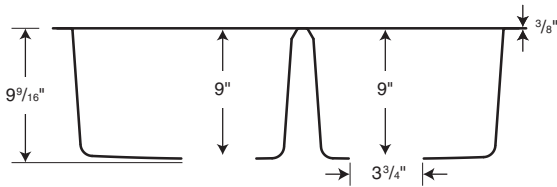
WARRANTY
Limited Lifetime – Residential
Limited 10-year – Commercial

Manufactured from Quartz
(See page 2 for detailed information.)

Recommended for high-use traffic areas and commercial surfaces.

FEATURES

- Made with 80% quartz stone, only a diamond is harder.
- Virtually indestructible, will not damage from kitchen use.
- Standard sink size.
- Ideal for remodeling or new construction.
- Mounts under most countertop materials including granite, quartz, solid surface and tile.



Capacity: 11 gallons in large (left) bowl, and 7-1/4 gallons in small (right) bowl

SPECIFICATIONS

QURC-3322 Offset Double Bowl

| Model | Part | Nominal Dimensions | Ship Wt. Lb. | Ship FedEx | Carton Dims. In. | Cu. Ft. |
|-----------|-----------|------------------------------------|--------------|------------|------------------|---------|
| QURC-3322 | QU03322RC | 32" W x 21" D (813 mm x 533 mm) | 48 | FedEx | 37 x 25 x 13 | 6.96 |

COLORS

(See inside back cover for color sample.)

- Bianca (075)
- Espresso (170)
- Granito (076)
- Metallico (173)
- Nero (077)

MAINTENANCE AND CLEANING INFORMATION

Clean your Swan Granite Sink by using warm water and a soft clean cloth, sponge or Mr. Clean® Magic Eraser®. Non-abrasive liquid cleaners and detergents can also be used. Hard water, calcium and lime deposits can be removed with white vinegar on a paper towel and rinsing after 20 minutes. To restore luster and extend time between cleanings Weiman® Granite Cleaner & Polish is recommended. Staining liquids, such as dyes and vegetable juices should be rinsed off as soon as possible. **Do not** use abrasive cleaners, metal-scouring pads, and bleach or alkali cleaners, such as ammonia.

STANDARDS AND RATINGS

American National Standard Institute—ANSI Z124.6
International Association of Plumbing and Mechanical Officials (IAPMO) – listed
cUPC listed – Certified to CSA Standard B45 by IAPMO
Heat resistance to 392°F, 200°C

SUPPORT DOCUMENTS

Installation instructions available at swanstone.com.

Undermount clips sold separately. Faucet options are limited to available hole placement. Please contact your dealer for more information.



QUSQ-3322 Equal Double Bowl

GRANITE UNDERMOUNT KITCHEN SINKS

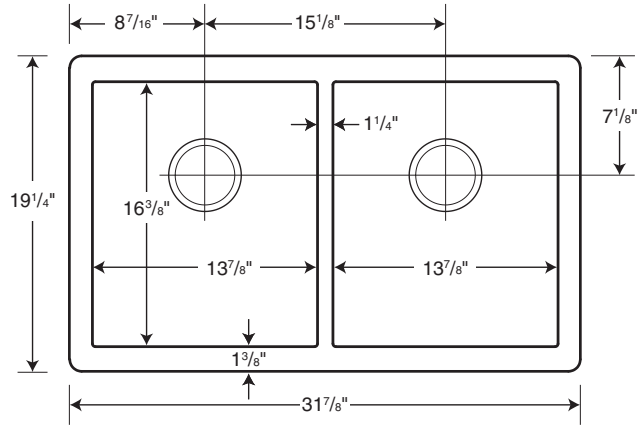
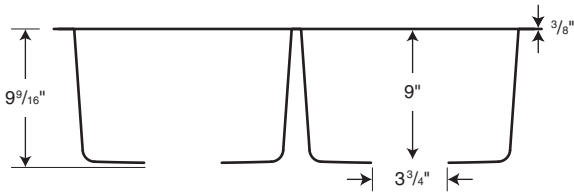
Manufactured from Quartz
(See page 2 for detailed information.)

Recommended for high-use traffic areas and commercial surfaces.

WARRANTY
Limited Lifetime – Residential
Limited 10-year – Commercial

FEATURES

- Made with 80% quartz stone, only a diamond is harder.
- Virtually indestructible, will not damage from kitchen use.
- Standard sink size.
- Ideal for remodeling or new construction.
- Mounts under most countertop materials including granite, quartz, solid surface and tile.



Capacity: 8-1/2 gallons per each bowl

SPECIFICATIONS

QUSQ-3322 Equal Double Bowl

| Model | Part | Nominal Dimensions | Ship Wt. Lb. | Ship FedEx | Carton Dims. In. | Cu. Ft. |
|-----------|-----------|------------------------------------|--------------|------------|------------------|---------|
| QUSQ-3322 | QU03322SQ | 32" W x 21" D (813 mm x 533 mm) | 48 | FedEx | 37 x 25 x 13 | 6.96 |

STANDARDS AND RATINGS

American National Standard Institute—ANSI Z124.6
International Association of Plumbing and Mechanical Officials (IAPMO) – listed
cUPC listed – Certified to CSA Standard B45 by IAPMO
Heat resistance to 392°F, 200°C

SUPPORT DOCUMENTS

Installation instructions available at swanstone.com.

COLORS

(See inside back cover for color sample.)

- Bianca (075)
- Espresso (170)
- Granito (076)
- Metallico (173)
- Nero (077)

MAINTENANCE AND CLEANING INFORMATION

Clean your Swan Granite Sink by using warm water and a soft clean cloth, sponge or Mr. Clean® Magic Eraser®. Non-abrasive liquid cleaners and detergents can also be used. Hard water, calcium and lime deposits can be removed with white vinegar on a paper towel and rinsing after 20 minutes. To restore luster and extend time between cleanings Weiman® Granite Cleaner & Polish is recommended. Staining liquids, such as dyes and vegetable juices should be rinsed off as soon as possible. **Do not** use abrasive cleaners, metal-scouring pads, and bleach or alkali cleaners, such as ammonia.

Undermount clips sold separately. Faucet options are limited to available hole placement. Please contact your dealer for more information.



QUAD-3322 Large Single Ascend™ Bowl

GRANITE UNDERMOUNT KITCHEN SINKS

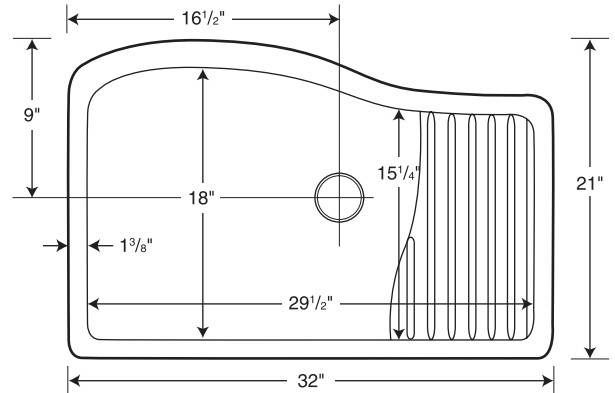
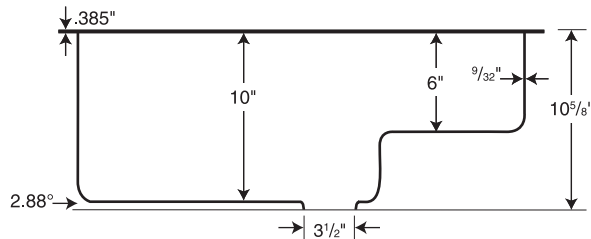
WARRANTY
 Limited Lifetime – Residential
 Limited 10-year – Commercial

Manufactured from Quartz
 (See page 2 for detailed information.)

Recommended for high-use traffic areas and commercial surfaces.

FEATURES

- Made with 80% quartz stone, only a diamond is harder.
- Virtually indestructible, will not damage from kitchen use.
- Standard sink size.
- Ideal for remodeling or new construction.
- Mounts under most countertop materials including granite, quartz, solid surface and tile.



Capacity: 16 gallons

SPECIFICATIONS

QUAD-3322 Large Single Ascend™ Bowl

| Model | Part | Nominal Dimensions | Ship Wt. Lb. | Ship FedEx | Carton Dims. In. | Cu. Ft. |
|-----------|-----------|------------------------------------|--------------|------------|------------------|---------|
| QUAD-3322 | QU03322AD | 32" W x 21" D (813 mm x 533 mm) | 49 | FedEx | 40 x 30 x 21 | 14.58 |

COLORS

(See inside back cover for color sample.)

- Bianca (075)
- Espresso (170)
- Granito (076)
- Nero (077)

STANDARDS AND RATINGS

American National Standard Institute—ANSI Z124.6

International Association of Plumbing and Mechanical Officials (IAPMO) – listed

cUPC listed – Certified to CSA Standard B45 by IAPMO

Heat resistance to 392°F, 200°C

MAINTENANCE AND CLEANING INFORMATION

Clean your Swan Granite Sink by using warm water and a soft clean cloth, sponge or Mr. Clean® Magic Eraser®. Non-abrasive liquid cleaners and detergents can also be used. Hard water, calcium and lime deposits can be removed with white vinegar on a paper towel and rinsing after 20 minutes. To restore luster and extend time between cleanings Weiman® Granite Cleaner & Polish is recommended. Staining liquids, such as dyes and vegetable juices should be rinsed off as soon as possible. **Do not** use abrasive cleaners, metal-scouring pads, and bleach or alkali cleaners, such as ammonia.

SUPPORT DOCUMENTS

Installation instructions available at swanstone.com.

Undermount clips sold separately. Faucet options are limited to available hole placement. Please contact your dealer for more information.



QUSB-3322 Single Bowl

**GRANITE UNDERMOUNT
KITCHEN SINKS**

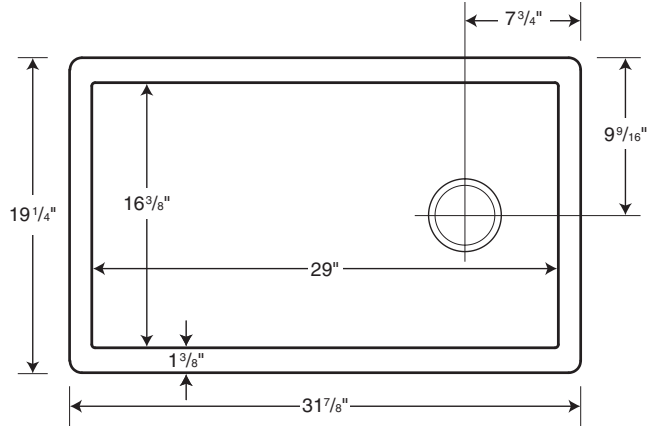
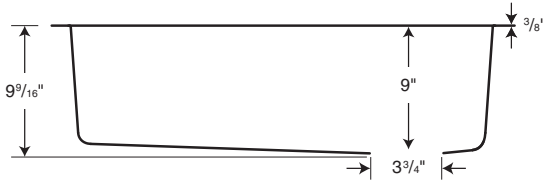
Manufactured from Quartz
(See page 2 for detailed information.)

Recommended for high-use traffic areas and commercial surfaces.

WARRANTY
Limited Lifetime – Residential
Limited 10-year – Commercial

FEATURES

- Made with 80% quartz stone, only a diamond is harder.
- Virtually indestructible, will not damage from kitchen use.
- Standard sink size.
- Ideal for remodeling or new construction.
- Mounts under most countertop materials including granite/quartz, solid surface and tile.



Capacity: 18 gallons

SPECIFICATIONS

QUSB-3322 Single Bowl

| Model | Part | Nominal Dimensions | Ship Wt. Lb. | Ship FedEx | Carton Dims. In. | Cu. Ft. |
|-----------|-----------|------------------------------------|--------------|------------|------------------|---------|
| QUSB-3322 | QU03322SB | 32" W x 21" D (813 mm x 533 mm) | 48 | FedEx | 37 x 25 x 13 | 6.96 |

COLORS

(See inside back cover for color sample.)

- Bianca (075)
- Espresso (170)
- Granito (076)
- Metallico (173)
- Nero (077)

**MAINTENANCE AND
CLEANING INFORMATION**

Clean your Swan Granite Sink by using warm water and a soft clean cloth, sponge or Mr. Clean® Magic Eraser®. Non-abrasive liquid cleaners and detergents can also be used. Hard water, calcium and lime deposits can be removed with white vinegar on a paper towel and rinsing after 20 minutes. To restore luster and extend time between cleanings Weiman® Granite Cleaner & Polish is recommended. Staining liquids, such as dyes and vegetable juices should be rinsed off as soon as possible. **Do not** use abrasive cleaners, metal-scouring pads, and bleach or alkali cleaners, such as ammonia.

STANDARDS AND RATINGS

American National Standard Institute—ANSI Z124.6
International Association of Plumbing and Mechanical Officials (IAPMO) – listed
cUPC listed – Certified to CSA Standard B45 by IAPMO
Heat resistance to 392°F, 200°C

SUPPORT DOCUMENTS

Installation instructions available at swanstone.com.

Undermount clips sold separately. Faucet options are limited to available hole placement. Please contact your dealer for more information.



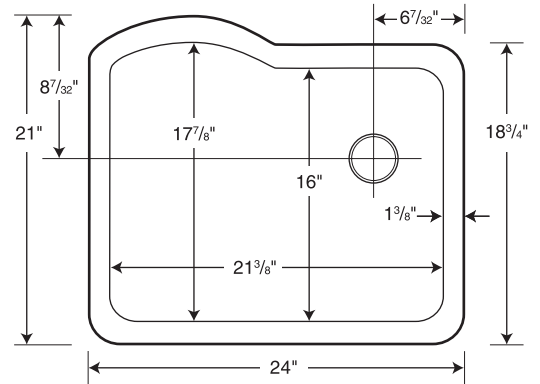
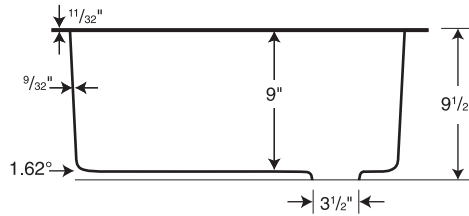
WARRANTY
Limited Lifetime – Residential
Limited 10-year – Commercial

Manufactured from Quartz
(See page 2 for detailed information.)

Recommended for high-use traffic areas and commercial surfaces.

FEATURES

- Made with 80% quartz stone, only a diamond is harder.
- Virtually indestructible, will not damage from kitchen use.
- Ideal for remodeling or new construction.
- Mounts under most countertop materials including granite, quartz, solid surface and tile.



Capacity: 13 gallons

SPECIFICATIONS

QUSB-2522 Granite Single Bowl

| Model | Part | Nominal Dimensions | Ship Wt. Lb. | Ship FedEx | Carton Dims. In. | Cu. Ft. |
|-----------|-----------|------------------------------------|--------------|------------|------------------|---------|
| QUSB-2522 | QU02522SB | 24" W x 21" D (610 mm x 533 mm) | 37 | FedEx | 28 x 25 x 13 | 5.27 |

COLORS

(See inside back cover for color sample.)

- Bianca (075)
- Espresso (170)
- Granito (076)
- Nero (077)

STANDARDS AND RATINGS

American National Standard Institute—ANSI Z124.6
International Association of Plumbing and Mechanical Officials (IAPMO) – listed
cUPC listed – Certified to CSA Standard B45 by IAPMO
Heat resistance to 392°F, 200°C

MAINTENANCE AND CLEANING INFORMATION

Clean your Swan Granite Sink by using warm water and a soft clean cloth, sponge or Mr. Clean® Magic Eraser®. Non-abrasive liquid cleaners and detergents can also be used. Hard water, calcium and lime deposits can be removed with white vinegar on a paper towel and rinsing after 20 minutes. To restore luster and extend time between cleanings Weiman® Granite Cleaner & Polish is recommended. Staining liquids, such as dyes and vegetable juices should be rinsed off as soon as possible. **Do not** use abrasive cleaners, metal-scouring pads, and bleach or alkali cleaners, such as ammonia.

SUPPORT DOCUMENTS

Installation instructions available at swanstone.com.

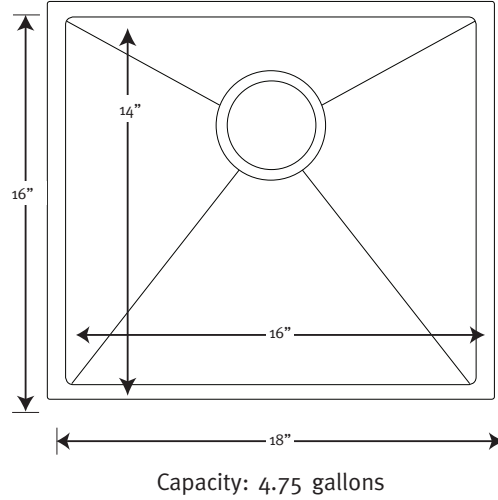
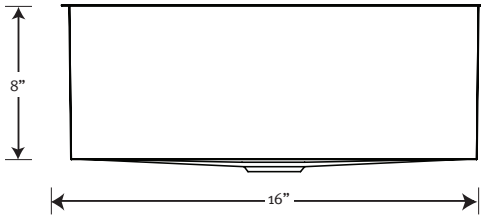


Manufactured from Granite
(See page 2 for detailed information.)
Recommended for residential and commercial applications.

WARRANTY
Limited Lifetime – Residential
Limited 10-year – Commercial

FEATURES

- Made with 80% quartz stone, only a diamond is harder.
- Virtually indestructible, will not damage from kitchen use.
- Ideal for remodeling or new construction.
- Ideal for small spaces.
- To create a double-bowl sink, use two dual-mount sinks.



SPECIFICATIONS

Granite Dual-Mount Single Bowl Kitchen Sink

| Model | Part | Dimensions | Wt. Lb. | FedEx | Dims. In. | Cu. Ft. |
|-----------|-----------|------------------------------------|---------|-------|--------------|---------|
| QZDM-1816 | QZ01816DM | 18" W x 16" D (457 mm x 406 mm) | 19 | ✓ | 22 x 20 x 11 | 2.8 |

COLORS

- Bianca (075)
- Espresso (170)
- Granito (076)
- Nero (077)

STANDARDS AND RATINGS

American National Standard Institute—ANSI Z124.6
International Association of Plumbing and Mechanical Officials (IAPMO) – listed
cUPC listed – Certified to CSA Standard B45 by IAPMO
Heat resistance to 392°F, 200°C

**MAINTENANCE AND
CLEANING INFORMATION**

Clean your Swan Granite Sink by using warm water and a soft clean cloth, sponge or Mr. Clean® Magic Eraser®. Non-abrasive liquid cleaners and detergents can also be used. Hard water, calcium and lime deposits can be removed with white vinegar on a paper towel and rinsing after 20 minutes. To restore luster and extend time between cleanings Weiman® Granite Cleaner & Polish is recommended. Staining liquids, such as dyes and vegetable juices should be rinsed off as soon as possible. **Do not** use abrasive cleaners, metal-scouring pads, and bleach or alkali cleaners, such as ammonia.

SUPPORT DOCUMENTS

Installation instructions available at swanstone.com.



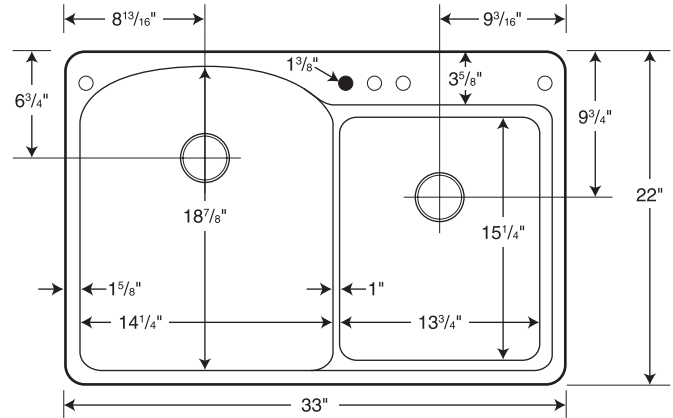
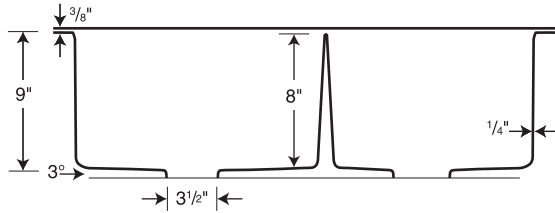
WARRANTY
 Limited Lifetime – Residential
 Limited 10-year – Commercial

Manufactured from Swanstone solid surface
 (See page 2 for detailed information.)

Recommended for high-use traffic areas and commercial surfaces.

FEATURES

- Swan's most popular sink.
- Classic style in a standard size.
- Renewable surface will not wear away.
- Hot pots and boiling water will not damage it.
- Highest resistance of impact from heavy objects.
- Easily accommodates all faucet styles.
- Heat, stain and scratch resistant for lasting beauty.
- Matching or contrasting countertops available. Contact a Swan representative for more information.



○ Drill Points ● Pre-drilled
 Capacity: 7-1/4 gallons in large (left) bowl,
 5-3/4 gallons in small (right) bowl

SPECIFICATIONS

KSDB-3322 Double Bowl

| Model | Part | Nominal Dimensions | Ship Wt. Lb. | Ship FedEx | Carton Dims. In. | Cu. Ft. |
|-----------|-----------|------------------------------------|--------------|------------|------------------|---------|
| KSDB-3322 | KS03322DB | 33" W x 22" D (838 mm x 559 mm) | 33 | FedEx | 26 x 13 x 39 | 7.63 |

Also available in skid packs. Call for price quote.

ACCESSORIES

- CB-22 Wood, White or Bone Polyethylene Cutting Board
- WB-DB and WB-22 Wire Basket
- BR-DB Basin Rack

See page 156 for complete listing of all kitchen sink accessories.

STANDARDS AND RATINGS

American National Standard Institute—ANSI Z124.6
 International Association of Plumbing and Mechanical Officials (IAPMO)—Listed cUPC listed—Certified to CSA Test Standard B45.5 by IAPMO
 Uniform Plumbing Code (UPC)
 National Sanitation Foundation—NSF/ANSI 51 Food Equipment Materials

For a complete list of tests and results see the Technical Data Sheet.

SUPPORT DOCUMENTS

Installation instructions available at swanstone.com.



COLORS

(See inside back cover for color sample.)

Solid Colors:

- White (010)
- Bone (037)
- Bisque (018)
- Bright White (137)
- Pearl (138)

Aggregate Colors:

- Acorn (123)
- Almond Galaxy (046)
- Arctic Granite (035)
- Baby's Breath (168)
- Barley (091)
- Bermuda Sand (040)
- Black Galaxy (015)
- Canyon (124)
- Caraway Seed (169)
- Cornflower (063)

- Glacier (121)
- Gray Granite (042)
- Indian Grass (071)
- Night Sky (012)
- Pebble (072)
- Prairie (122)
- Sierra (094)
- Tahiti Desert (050)
- Tahiti Gray (053)
- Tahiti Ivory (059)
- Tahiti Matrix (058)
- Tahiti Sand (051)
- Tahiti Terra (055)
- Tahiti White (011)
- Winter Wheat (060)

MAINTENANCE AND CLEANING INFORMATION

Clean your Swanstone sink by using abrasive cleaners or other similar products. Use of a nylon scouring pad or Mr. Clean® Magic Eraser® is also recommended. Food-based stains can be removed using a 50-50 mix of bleach and water solution and soaking for 15 minutes. For rust or other mineral stains, rust-removing products are acceptable. **Do not** use metal scouring pads.



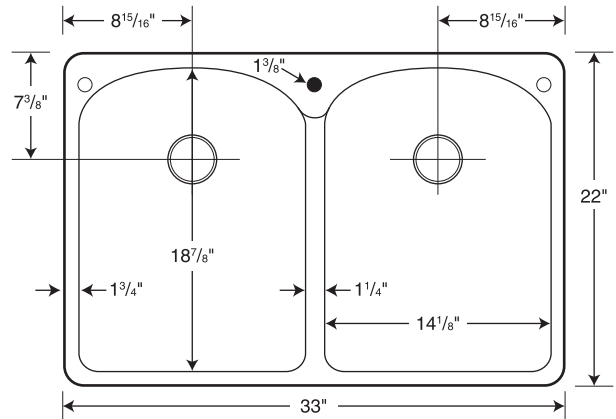
WARRANTY
Limited Lifetime – Residential
Limited 10-year – Commercial

Manufactured from Swanstone solid surface
(See page 2 for detailed information.)

Recommended for high-use traffic areas and commercial surfaces.

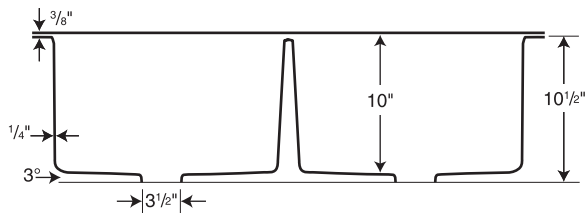
FEATURES

- Two extra deep bowls for enormous workspace.
• Renewable surface will not wear away.
• Hot pots and boiling water will not damage it.
• Highest resistance of impact from heavy objects.
• Heat, stain and scratch resistant for lasting beauty.
• Matching or contrasting countertops available. Contact a Swan representative for more information.



○ Drill Points ● Pre-drilled

Capacity: 9 gallons



SPECIFICATIONS

KSLB-3322 Super Double Bowl

Table with 7 columns: Model, Part, Nominal Dimensions, Ship Wt. Lb., Ship FedEx, Carton Dims. In., Cu. Ft. Row 1: KSLB-3322, KSo2233LB, 33 inch W x 22 inch D (838 mm x 559 mm), 38, FedEx, 37 x 25 x 14, 7.50

ACCESSORIES

- CB-LB Wood Cutting Board
• WB-LB and WB-22 Wire Basket
• BR-LBTB Basin Rack

See page 156 for complete listing of all kitchen sink accessories.

STANDARDS AND RATINGS

American National Standard Institute—ANSI Z124.6
International Association of Plumbing and Mechanical Officials (IAPMO)—Listed
cUPC listed—Certified to CSA Test Standard B45.5 by IAPMO
Uniform Plumbing Code (UPC)
National Sanitation Foundation—NSF/ANSI 51 Food Equipment Materials

For a complete list of tests and results see the Technical Data Sheet.

SUPPORT DOCUMENTS

Installation instructions available at swanstone.com.

COLORS

(See inside back cover for color sample.)

Solid Colors:

- White (010)
• Bone (037)
• Bisque (018)
• Bright White (137)
• Pearl (138)

- Glacier (121)
• Gray Granite (042)
• Indian Grass (071)
• Night Sky (012)
• Pebble (072)
• Prairie (122)

Aggregate Colors:

- Acorn (123)
• Almond Galaxy (046)
• Arctic Granite (035)
• Baby's Breath (168)
• Barley (091)
• Bermuda Sand (040)
• Black Galaxy (015)
• Canyon (124)
• Caraway Seed (169)
• Cornflower (063)

- Sierra (094)
• Tahiti Desert (050)
• Tahiti Gray (053)
• Tahiti Ivory (059)
• Tahiti Matrix (058)
• Tahiti Sand (051)
• Tahiti Terra (055)
• Tahiti White (011)
• Winter Wheat (060)

MAINTENANCE AND CLEANING INFORMATION

Clean your Swanstone sink by using abrasive cleaners or other similar products. Use of a nylon scouring pad or Mr. Clean Magic Eraser is also recommended. Food-based stains can be removed using a 50-50 mix of bleach and water solution and soaking for 15 minutes. For rust or other mineral stains, rust-removing products are acceptable. Do not use metal scouring pads.



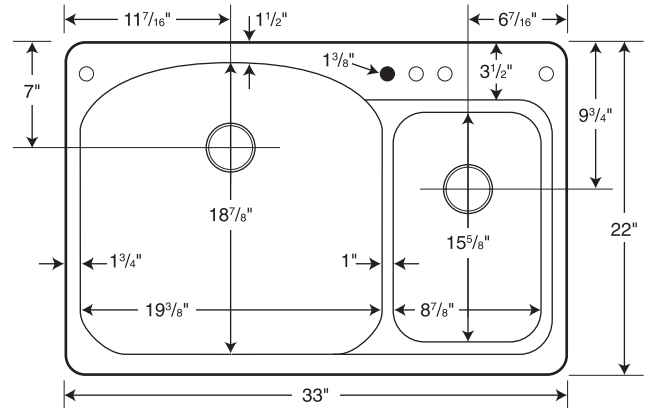
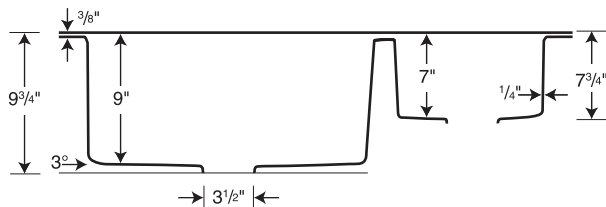
WARRANTY
 Limited Lifetime – Residential
 Limited 10-year – Commercial

Manufactured from Swanstone solid surface
 (See page 2 for detailed information.)

Recommended for high-use traffic areas and commercial surfaces.

FEATURES

- Designed with gourmet-style prep and clean-up features.
- Renewable surface will not wear away.
- Hot pots and boiling water will not damage it.
- Highest resistance of impact from heavy objects.
- Easily accommodates all faucet styles.
- Heat, stain and scratch resistant for lasting beauty.
- Matching or contrasting countertops available. Contact a Swan representative for more information.



○ Drill Points ● Pre-drilled
 Capacity: 13-3/4 gallons in large (left) bowl, 4 gallons in small (right) bowl

SPECIFICATIONS

KSLs-3322 Double Bowl

| Model | Part | Nominal Dimensions | Ship Wt. Lb. | Ship FedEx | Carton Dims. In. | Cu. Ft. |
|-----------|-----------|------------------------------------|--------------|------------|------------------|---------|
| KSLs-3322 | KS03322LS | 33" W x 22" D (838 mm x 559 mm) | 30 | FedEx | 38 x 25 x 13 | 7.15 |

ACCESSORIES

- CB-22 Wood, White or Bone Polyethylene Cutting Board
- WB-DB and WB-22 Wire Basket
- BR-LS Basin Rack

See page 156 for complete listing of all kitchen sink accessories.

STANDARDS AND RATINGS

American National Standard Institute—ANSI Z124.6
 International Association of Plumbing and Mechanical Officials (IAPMO)—Listed cUPC listed—Certified to CSA Test Standard B45.5 by IAPMO
 Uniform Plumbing Code (UPC)
 National Sanitation Foundation—NSF/ANSI 51 Food Equipment Materials

For a complete list of tests and results see the Technical Data Sheet.

SUPPORT DOCUMENTS

Installation instructions available at swanstone.com.



COLORS

(See inside back cover for color sample.)

Solid Colors:

- White (010)
- Bone (037)
- Bisque (018)
- Bright White (137)
- Pearl (138)

Aggregate Colors:

- Acorn (123)
- Almond Galaxy (046)
- Arctic Granite (035)
- Baby's Breath (168)
- Barley (091)
- Bermuda Sand (040)
- Black Galaxy (015)
- Canyon (124)
- Caraway Seed (169)
- Cornflower (063)

- Glacier (121)
- Gray Granite (042)
- Indian Grass (071)
- Night Sky (012)
- Pebble (072)
- Prairie (122)
- Sierra (094)
- Tahiti Desert (050)
- Tahiti Gray (053)
- Tahiti Ivory (059)
- Tahiti Matrix (058)
- Tahiti Sand (051)
- Tahiti Terra (055)
- Tahiti White (011)
- Winter Wheat (060)

MAINTENANCE AND CLEANING INFORMATION

Clean your Swanstone sink by using abrasive cleaners or other similar products. Use of a nylon scouring pad or Mr. Clean® Magic Eraser® is also recommended. Food-based stains can be removed using a 50-50 mix of bleach and water solution and soaking for 15 minutes. For rust or other mineral stains, rust-removing products are acceptable. **Do not** use metal scouring pads.



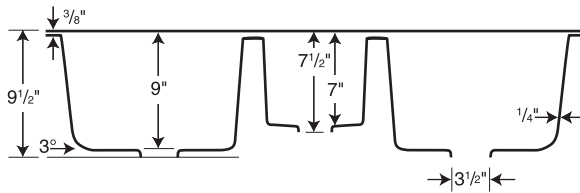
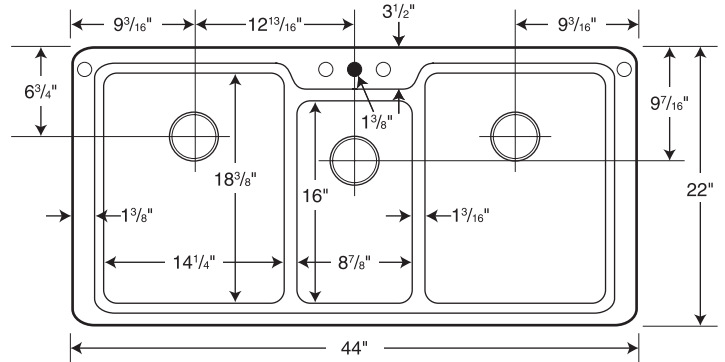
WARRANTY
 Limited Lifetime – Residential
 Limited 10-year – Commercial

Manufactured from Swanstone solid surface
 (See page 2 for detailed information.)

Recommended for high-use traffic areas and commercial surfaces.

FEATURES

- Three bowls for maximum workspace.
- Renewable surface will not wear away.
- Hot pots and boiling water will not damage it.
- Highest resistance of impact from heavy objects.
- Easily accommodates all faucet styles.
- Heat, stain and scratch resistant for lasting beauty.
- Matching or contrasting countertops available. Contact a Swan representative for more information.



○ Drill Points ● Pre-drilled

Capacity:
 Large: 7-1/4 gallons
 Small: 3-1/2 gallons

SPECIFICATIONS

KSTB-4422 Triple Bowl

| Model | Part | Nominal Dimensions | Ship Wt. Lb. | Ship FedEx | Carton Dims. In. | Cu. Ft. |
|-----------|-----------|-------------------------------------|--------------|------------|------------------|---------|
| KSTB-4422 | KSo4422TB | 44" W x 22" D (1118 mm x 559 mm) | 46 | FedEx | 48 x 27 x 13 | 9.75 |

ACCESSORIES

- CB-44 Wood Cutting Board
- WB-DB and WB-22 Wire Basket
- BR-LBTB Basin Rack
- DG-44 Drain Grid

See page 156 for complete listing of all kitchen sink accessories.

STANDARDS AND RATINGS

American National Standard Institute—ANSI Z124.6
 International Association of Plumbing and Mechanical Officials (IAPMO)—Listed cUPC listed—Certified to CSA Test Standard B45.5 by IAPMO
 Uniform Plumbing Code (UPC)
 National Sanitation Foundation—NSF/ANSI 51 Food Equipment Materials

For a complete list of tests and results see the Technical Data Sheet.

SUPPORT DOCUMENTS

Installation instructions available at swanstone.com.

COLORS

(See inside back cover for color sample.)

Solid Colors:

- White (010)
- Bone (037)
- Bisque (018)
- Bright White (137)
- Pearl (138)

Aggregate Colors:

- Acorn (123)
- Almond Galaxy (046)
- Arctic Granite (035)
- Baby's Breath (168)
- Barley (091)
- Bermuda Sand (040)
- Black Galaxy (015)
- Canyon (124)
- Caraway Seed (169)
- Cornflower (063)

- Glacier (121)
- Gray Granite (042)
- Indian Grass (071)
- Night Sky (012)
- Pebble (072)
- Prairie (122)
- Sierra (094)
- Tahiti Desert (050)
- Tahiti Gray (053)
- Tahiti Ivory (059)
- Tahiti Matrix (058)
- Tahiti Sand (051)
- Tahiti Terra (055)
- Tahiti White (011)
- Winter Wheat (060)

MAINTENANCE AND CLEANING INFORMATION

Clean your Swanstone sink by using abrasive cleaners or other similar products. Use of a nylon scouring pad or Mr. Clean® Magic Eraser® is also recommended. Food-based stains can be removed using a 50-50 mix of bleach and water solution and soaking for 15 minutes. For rust or other mineral stains, rust-removing products are acceptable. **Do not** use metal scouring pads.



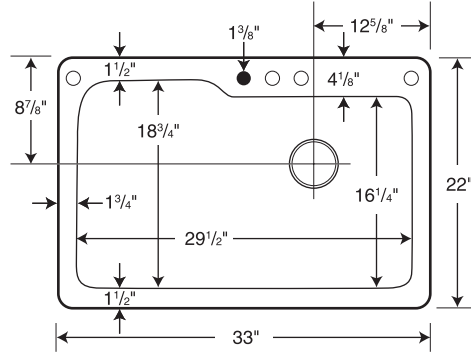
WARRANTY
 Limited Lifetime – Residential
 Limited 10-year – Commercial

Manufactured from Swanstone solid surface
 (See page 2 for detailed information.)

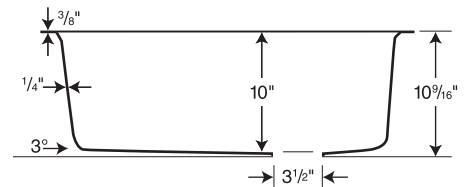
Recommended for high-use traffic areas and commercial surfaces.

FEATURES

- Easily accommodates your largest cooking pots and baking sheets.
- Renewable surface will not wear away.
- Hot pots and boiling water will not damage it.
- Highest resistance of impact from heavy objects.
- Easily accommodates all faucet styles.
- Heat, stain and scratch resistant for lasting beauty.
- Matching or contrasting countertops available. Contact a Swan representative for more information.



○ Drill Points ● Pre-drilled
 Capacity: 22 gallons



SPECIFICATIONS

KSSB-3322 Large Single Bowl

| Model | Part | Nominal Dimensions | Ship Wt. Lb. | Ship FedEx | Carton Dims. In. | Cu. Ft. |
|-----------|-----------|------------------------------------|--------------|------------|------------------|---------|
| KSSB-3322 | KS03322SB | 33" W x 22" D (838 mm x 559 mm) | 33 | FedEx | 39 x 26 x 13 | 7.63 |

ACCESSORIES

- CB-33 Cutting Board
- WB-DB Wire Basket

See page 156 for complete listing of all kitchen sink accessories.

STANDARDS AND RATINGS

American National Standard Institute—ANSI Z124.6
 International Association of Plumbing and Mechanical Officials (IAPMO)—Listed cUPC listed—Certified to CSA Test Standard B45.5 by IAPMO
 Uniform Plumbing Code (UPC)
 National Sanitation Foundation—NSF/ANSI 51 Food Equipment Materials

For a complete list of tests and results see the Technical Data Sheet.

SUPPORT DOCUMENTS

Installation instructions available at swanstone.com.

MADE IN USA

COLORS

(See inside back cover for color sample.)

Solid Colors:

- White (010)
- Bone (037)
- Bisque (018)
- Bright White (137)
- Pearl (138)

Aggregate Colors:

- Acorn (123)
- Almond Galaxy (046)
- Arctic Granite (035)
- Baby's Breath (168)
- Barley (091)
- Bermuda Sand (040)
- Black Galaxy (015)
- Canyon (124)
- Caraway Seed (169)
- Cornflower (063)

- Glacier (121)
- Gray Granite (042)
- Indian Grass (071)
- Night Sky (012)
- Pebble (072)
- Prairie (122)
- Sierra (094)
- Tahiti Desert (050)
- Tahiti Gray (053)
- Tahiti Ivory (059)
- Tahiti Matrix (058)
- Tahiti Sand (051)
- Tahiti Terra (055)
- Tahiti White (011)
- Winter Wheat (060)

MAINTENANCE AND CLEANING INFORMATION

Clean your Swanstone sink by using abrasive cleaners or other similar products. Use of a nylon scouring pad or Mr. Clean® Magic Eraser® is also recommended. Food-based stains can be removed using a 50-50 mix of bleach and water solution and soaking for 15 minutes. For rust or other mineral stains, rust-removing products are acceptable. **Do not** use metal scouring pads.



WARRANTY

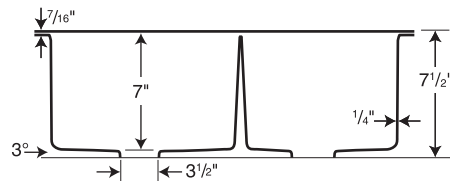
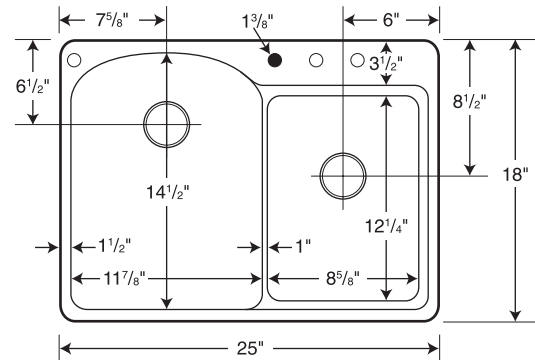
Limited Lifetime – Residential
 Limited 10-year – Commercial

Manufactured from Swanstone solid surface
 (See page 2 for detailed information.)

Recommended for high-use traffic areas and commercial surfaces.

FEATURES

- Ideal double-bowl for recreation vehicles, boats and other limited spaces.
- Renewable surface will not wear away.
- Hot pots and boiling water will not damage it.
- Highest resistance of impact from heavy objects.
- Easily accommodates all faucet styles.
- Heat, stain and scratch resistant for lasting beauty.
- Matching or contrasting countertops available. Contact a Swan representative for more information.



Capacity:
 Large: 4 gallons
 Small: 2-1/2 gallons

○ Drill Points ● Pre-drilled

SPECIFICATIONS

KSDB-2518 Space-Saver Double Bowl

| Model | Part | Nominal Dimensions | Ship Wt. Lb. | Ship FedEx | Carton Dims. In. | Cu. Ft. |
|-----------|-----------|------------------------------------|--------------|------------|------------------|---------|
| KSDB-2518 | KS02518DB | 25" W x 18" D (635 mm x 457 mm) | 18 | FedEx | 30 x 23 x 11 | 4.4 |

Also available in skid packs. Call for price quote.

COLORS

(See inside back cover for color sample.)

Solid Colors:

- White (010)
- Bone (037)
- Bisque (018)
- Bright White (137)
- Pearl (138)

Aggregate Colors:

- Acorn (123)
- Almond Galaxy (046)
- Arctic Granite (035)
- Baby's Breath (168)
- Barley (091)
- Bermuda Sand (040)
- Black Galaxy (015)
- Canyon (124)
- Caraway Seed (169)
- Cornflower (063)

- Glacier (121)
- Gray Granite (042)
- Indian Grass (071)
- Night Sky (012)
- Pebble (072)
- Prairie (122)
- Sierra (094)
- Tahiti Desert (050)
- Tahiti Gray (053)
- Tahiti Ivory (059)
- Tahiti Matrix (058)
- Tahiti Sand (051)
- Tahiti Terra (055)
- Tahiti White (011)
- Winter Wheat (060)

STANDARDS AND RATINGS

American National Standard Institute—ANSI Z124.6
 International Association of Plumbing and Mechanical Officials (IAPMO)—Listed
 cUPC listed—Certified to CSA Test Standard B45.5 by IAPMO
 Uniform Plumbing Code (UPC)
 National Sanitation Foundation—NSF/ANSI 51 Food Equipment Materials

For a complete list of tests and results see the Technical Data Sheet.

SUPPORT DOCUMENTS

Installation instructions available at swanstone.com.

MAINTENANCE AND CLEANING INFORMATION

Clean your Swanstone sink by using abrasive cleaners or other similar products. Use of a nylon scouring pad or Mr. Clean® Magic Eraser® is also recommended. Food-based stains can be removed using a 50-50 mix of bleach and water solution and soaking for 15 minutes. For rust or other mineral stains, rust-removing products are acceptable. **Do not** use metal scouring pads.



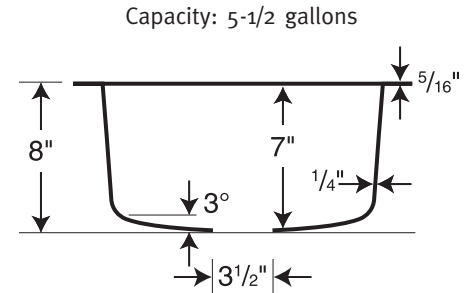
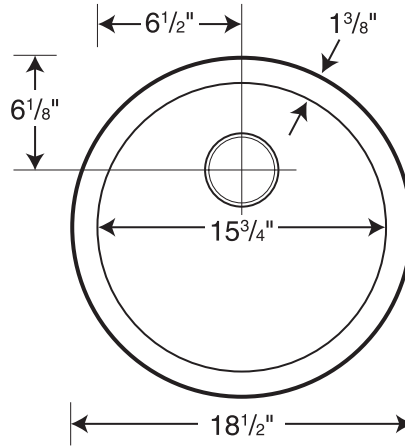
WARRANTY
 Limited Lifetime – Residential
 Limited 10-year – Commercial

Manufactured from Swanstone solid surface
 (See page 2 for detailed information.)

Recommended for high-use traffic areas and commercial surfaces.

FEATURES

- Ideal as a vegetable prep sink in kitchen island.
- Also makes a high-capacity entertainment sink.
- Renewable surface will not wear away.
- Hot pots and boiling water will not damage it.
- Highest resistance of impact from heavy objects.
- Easily accommodates all faucet styles.
- Heat, stain and scratch resistant for lasting beauty.
- Matching or contrasting countertops available. Contact a Swan representative for more information.



SPECIFICATIONS

KSRB-18 Round Bowl

| Model | Part | Nominal Dimensions | Ship Wt. Lb. | Ship FedEx | Carton Dims. In. | Cu. Ft. |
|---------|-----------|------------------------------|--------------|------------|------------------|---------|
| KSRB-18 | KS00018RB | 18-1/2" Diameter (470 mm) | 18 | FedEx | 22 x 21 x 10 | 2.68 |

COLORS

(See inside back cover for color sample.)

Solid Colors:

- White (010)
- Bone (037)
- Bisque (018)
- Bright White (137)
- Pearl (138)

- Glacier (121)
- Gray Granite (042)
- Indian Grass (071)
- Night Sky (012)
- Pebble (072)
- Prairie (122)

Aggregate Colors:

- Acorn (123)
- Almond Galaxy (046)
- Arctic Granite (035)
- Baby's Breath (168)
- Barley (091)
- Bermuda Sand (040)
- Black Galaxy (015)
- Canyon (124)
- Caraway Seed (169)
- Cornflower (063)

- Sierra (094)
- Tahiti Desert (050)
- Tahiti Gray (053)
- Tahiti Ivory (059)
- Tahiti Matrix (058)
- Tahiti Sand (051)
- Tahiti Terra (055)
- Tahiti White (011)
- Winter Wheat (060)

STANDARDS AND RATINGS

American National Standard Institute—ANSI Z124.6
 International Association of Plumbing and Mechanical Officials (IAPMO)—Listed cUPC listed—Certified to CSA Test Standard B45.5 by IAPMO
 Uniform Plumbing Code (UPC)
 National Sanitation Foundation—NSF/ANSI 51 Food Equipment Materials

For a complete list of tests and results see the Technical Data Sheet.

SUPPORT DOCUMENTS

Installation instructions available at swanstone.com.



MAINTENANCE AND CLEANING INFORMATION

Clean your Swanstone sink by using abrasive cleaners or other similar products. Use of a nylon scouring pad or Mr. Clean® Magic Eraser® is also recommended. Food-based stains can be removed using a 50-50 mix of bleach and water solution and soaking for 15 minutes. For rust or other mineral stains, rust-removing products are acceptable. **Do not** use metal scouring pads.



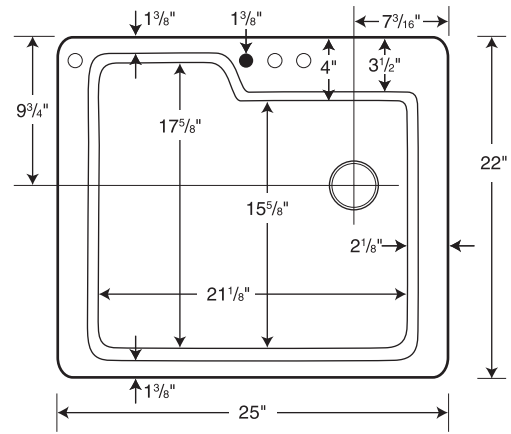
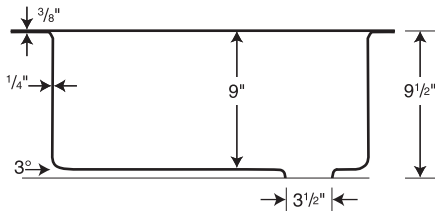
WARRANTY
 Limited Lifetime – Residential
 Limited 10-year – Commercial

Manufactured from Swanstone solid surface
 (See page 2 for detailed information.)

Recommended for high-use traffic areas and commercial surfaces.

FEATURES

- Incorporates specialized convenience features into compact design.
- Renewable surface will not wear away.
- Hot pots and boiling water will not damage it.
- Highest resistance of impact from heavy objects.
- Easily accommodates all faucet styles.
- Heat, stain and scratch resistant for lasting beauty.
- Matching or contrasting countertops available. Contact a Swan representative for more information.



○ Drill Points ● Pre-drilled

Capacity: 13 gallons

SPECIFICATIONS

KSSB-2522 Single Bowl

| Model | Part | Nominal Dimensions | Ship Wt. Lb. | Ship FedEx | Carton Dims. In. | Cu. Ft. |
|-----------|-----------|------------------------------------|--------------|------------|------------------|---------|
| KSSB-2522 | KS02522SB | 25" W x 22" D (635 mm x 559 mm) | 23 | FedEx | 26 x 14 x 29 | 6.11 |

ACCESSORIES

- CB-22 Wood, White, or Bone Polyethylene Cutting Board
- WB-DB and WB-22 Wire Basket

See page 156 for complete listing of all kitchen sink accessories.

STANDARDS AND RATINGS

American National Standard Institute—ANSI Z124.6
 International Association of Plumbing and Mechanical Officials (IAPMO)—Listed cUPC listed—Certified to CSA Test Standard B45.5 by IAPMO
 Uniform Plumbing Code (UPC)
 National Sanitation Foundation—NSF/ANSI 51 Food Equipment Materials

For a complete list of tests and results see the Technical Data Sheet.

SUPPORT DOCUMENTS

Installation instructions available at swanstone.com.

COLORS

(See inside back cover for color sample.)

Solid Colors:

- White (010)
- Bone (037)
- Bisque (018)
- Bright White (137)
- Pearl (138)

Aggregate Colors:

- Acorn (123)
- Almond Galaxy (046)
- Arctic Granite (035)
- Baby's Breath (168)
- Barley (091)
- Bermuda Sand (040)
- Black Galaxy (015)
- Canyon (124)
- Caraway Seed (169)
- Cornflower (063)

- Glacier (121)
- Gray Granite (042)
- Indian Grass (071)
- Night Sky (012)
- Pebble (072)
- Prairie (122)
- Sierra (094)
- Tahiti Desert (050)
- Tahiti Gray (053)
- Tahiti Ivory (059)
- Tahiti Matrix (058)
- Tahiti Sand (051)
- Tahiti Terra (055)
- Tahiti White (011)
- Winter Wheat (060)

MAINTENANCE AND CLEANING INFORMATION

Clean your Swanstone sink by using abrasive cleaners or other similar products. Use of a nylon scouring pad or Mr. Clean® Magic Eraser® is also recommended. Food-based stains can be removed using a 50-50 mix of bleach and water solution and soaking for 15 minutes. For rust or other mineral stains, rust-removing products are acceptable. **Do not** use metal scouring pads.



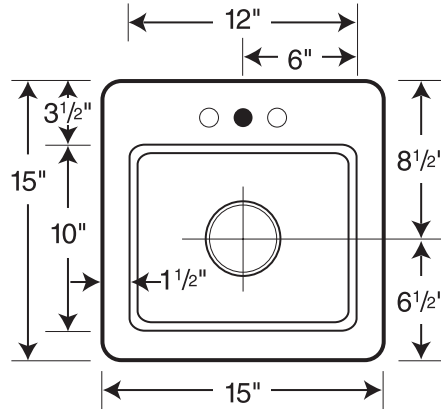
WARRANTY
 Limited Lifetime – Residential
 Limited 10-year – Commercial

Manufactured from Swanstone solid surface
 (See page 2 for detailed information.)

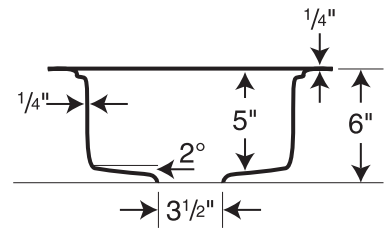
Recommended for high-use traffic areas and commercial surfaces.

FEATURES

- Renewable surface will not wear away.
- Hot pots and boiling water will not damage it.
- Highest resistance of impact from heavy objects.
- Easily accommodates all faucet styles.
- Heat, stain and scratch resistant for lasting beauty.
- Matching or contrasting countertops available. Contact a Swan representative for more information.



○ Drill Points ● Pre-drilled
 Capacity: 2-1/2 gallons



SPECIFICATIONS

BS-1515 Entertainment Sink

| Model | Part | Nominal Dimensions | Ship Wt. Lb. | Ship FedEx | Carton Dims. In. | Cu. Ft. |
|---------|---------|------------------------------------|--------------|------------|------------------|---------|
| BS-1515 | BS01515 | 15" W x 15" D (381 mm x 381 mm) | 10 | FedEx | 19 x 18 x 8 | 1.59 |

ACCESSORIES

- BS-CB Teak Cutting Board

See page 156 for complete listing of all kitchen sink accessories.

STANDARDS AND RATINGS

American National Standard Institute—ANSI Z124.6
 International Association of Plumbing and Mechanical Officials (IAPMO)—Listed
 cUPC listed—Certified to CSA Test Standard B45.5 by IAPMO
 Uniform Plumbing Code (UPC)
 National Sanitation Foundation—NSF/ANSI 51 Food Equipment Materials

For a complete list of tests and results see the Technical Data Sheet.

SUPPORT DOCUMENTS

Installation instructions available at swanstone.com.

COLORS

(See inside back cover for color sample.)

- Solid Colors:**
- White (010)
 - Bone (037)
 - Bisque (018)
 - Bright White (137)
 - Pearl (138)
- Aggregate Colors:**
- Acorn (123)
 - Almond Galaxy (046)
 - Arctic Granite (035)
 - Baby's Breath (168)
 - Barley (091)
 - Bermuda Sand (040)
 - Black Galaxy (015)
 - Canyon (124)
 - Caraway Seed (169)
 - Cornflower (063)
 - Glacier (121)
 - Gray Granite (042)
 - Indian Grass (071)
 - Night Sky (012)
 - Pebble (072)
 - Prairie (122)
 - Sierra (094)
 - Tahiti Desert (050)
 - Tahiti Gray (053)
 - Tahiti Ivory (059)
 - Tahiti Matrix (058)
 - Tahiti Sand (051)
 - Tahiti Terra (055)
 - Tahiti White (011)
 - Winter Wheat (060)

MAINTENANCE AND CLEANING INFORMATION

Clean your Swanstone sink by using abrasive cleaners or other similar products. Use of a nylon scouring pad or Mr. Clean® Magic Eraser® is also recommended. Food-based stains can be removed using a 50-50 mix of bleach and water solution and soaking for 15 minutes. For rust or other mineral stains, rust-removing products are acceptable. **Do not** use metal scouring pads.





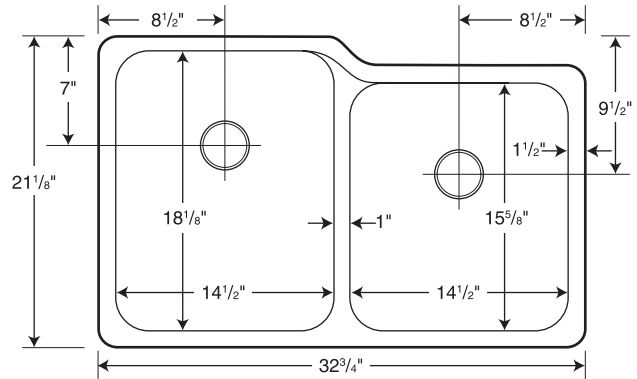
WARRANTY
 Limited Lifetime – Residential
 Limited 10-year – Commercial

Manufactured from Swanstone solid surface
 (See page 2 for detailed information.)

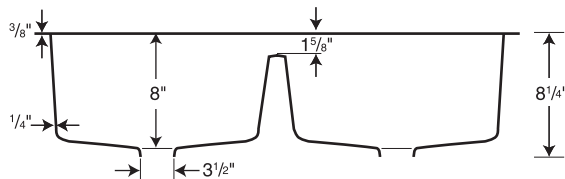
Recommended for high-use traffic areas and commercial surfaces.

FEATURES

- Reinforced solid surface means color and texture run all the way through and cannot wear away.
- Mounts underneath your choice of countertop for high-design appeal.
- Heat and stain, resistant for lasting beauty.
- Matching or contrasting countertops available. Contact a Swan representative for more information.



Capacity: 6 gallons in large (left) bowl,
 5-1/2 gallons in small (right) bowl



SPECIFICATIONS

US-3015 Double Bowl

| Model | Part | Nominal Dimensions | Ship Wt. Lb. | Ship FedEx | Carton Dims. In. | Cu. Ft. |
|---------|-----------|--|--------------|------------|------------------|---------|
| US-3015 | US03015SB | 32-3/4" W x 21-1/8" D (832 mm x 539 mm) | 39 | FedEx | 37 x 24 x 13 | 6.68 |

COLORS

(See inside back cover for color sample.)

Solid Colors:

- White (010)
- Bone (037)
- Bisque (018)
- Bright White (137)
- Pearl (138)

Aggregate Colors:

- Acorn (123)
- Almond Galaxy (046)
- Arctic Granite (035)
- Baby's Breath (168)
- Barley (091)
- Bermuda Sand (040)
- Black Galaxy (015)
- Canyon (124)
- Caraway Seed (169)
- Cornflower (063)

- Glacier (121)
- Gray Granite (042)
- Indian Grass (071)
- Night Sky (012)
- Pebble (072)
- Prairie (122)
- Sierra (094)
- Tahiti Desert (050)
- Tahiti Gray (053)
- Tahiti Ivory (059)
- Tahiti Matrix (058)
- Tahiti Sand (051)
- Tahiti Terra (055)
- Tahiti White (011)
- Winter Wheat (060)

STANDARDS AND RATINGS

American National Standard Institute—ANSI Z124.6
 International Association of Plumbing and Mechanical Officials (IAPMO)—Listed
 cUPC listed—Certified to CSA Test Standard B45.5 by IAPMO
 Uniform Plumbing Code (UPC)
 National Sanitation Foundation—NSF/ANSI 51 Food Equipment Materials

For a complete list of tests and results see the Technical Data Sheet.

SUPPORT DOCUMENTS

Installation instructions available at swanstone.com.

MAINTENANCE AND CLEANING INFORMATION

Clean your Swanstone sink by using abrasive cleaners or other similar products. Use of a nylon scouring pad or Mr. Clean® Magic Eraser® is also recommended. Food-based stains can be removed using a 50-50 mix of bleach and water solution and soaking for 15 minutes. For rust or other mineral stains, rust-removing products are acceptable. **Do not** use metal scouring pads.



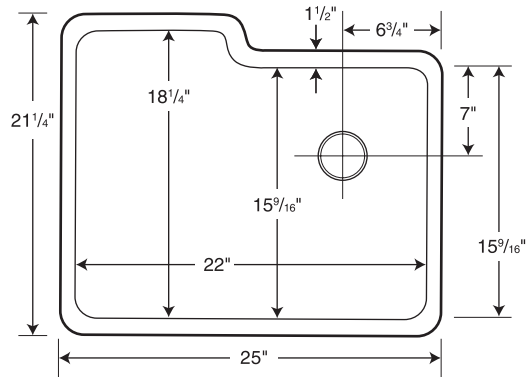
WARRANTY
 Limited Lifetime – Residential
 Limited 10-year – Commercial

Manufactured from Swanstone solid surface
 (See page 2 for detailed information.)

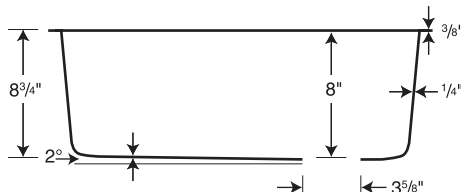
Recommended for high-use traffic areas and commercial surfaces.

FEATURES

- Reinforced solid surface means color and texture run all the way through and cannot wear away.
- Mounts underneath your choice of countertop for high-design appeal.
- Heat, stain, and scratch resistant for lasting beauty.
- Matching or contrasting countertops available. Contact a Swan representative for more information.



Capacity: 9-3/4 gallons



SPECIFICATIONS

US-2215 Single Bowl

| Model | Part | Nominal Dimensions | Ship Wt. Lb. | Ship FedEx | Carton Dims. In. | Cu. Ft. |
|---------|-----------|--|--------------|------------|------------------|---------|
| US-2215 | US02215SB | 25" W x 21-1/4" D (635 mm x 540 mm) | 25 | FedEx | 28 x 24 x 12 | 4.67 |

COLORS

(See inside back cover for color sample.)

Solid Colors:

- White (010)
- Bone (037)
- Bisque (018)
- Bright White (137)
- Pearl (138)

Aggregate Colors:

- Acorn (123)
- Almond Galaxy (046)
- Arctic Granite (035)
- Baby's Breath (168)
- Barley (091)
- Bermuda Sand (040)
- Black Galaxy (015)
- Canyon (124)
- Caraway Seed (169)
- Cornflower (063)

- Glacier (121)
- Gray Granite (042)
- Indian Grass (071)
- Night Sky (012)
- Pebble (072)
- Prairie (122)
- Sierra (094)
- Tahiti Desert (050)
- Tahiti Gray (053)
- Tahiti Ivory (059)
- Tahiti Matrix (058)
- Tahiti Sand (051)
- Tahiti Terra (055)
- Tahiti White (011)
- Winter Wheat (060)

STANDARDS AND RATINGS

American National Standard Institute—ANSI Z124.6
 International Association of Plumbing and Mechanical Officials (IAPMO)—Listed
 cUPC listed—Certified to CSA Test Standard B45.5 by IAPMO
 Uniform Plumbing Code (UPC)
 National Sanitation Foundation—NSF/ANSI 51 Food Equipment Materials

For a complete list of tests and results see the Technical Data Sheet.

SUPPORT DOCUMENTS

Installation instructions available at swanstone.com.

MADE IN USA

MAINTENANCE AND CLEANING INFORMATION

Clean your Swanstone sink by using abrasive cleaners or other similar products. Use of a nylon scouring pad or Mr. Clean® Magic Eraser® is also recommended. Food-based stains can be removed using a 50-50 mix of bleach and water solution and soaking for 15 minutes. For rust or other mineral stains, rust-removing products are acceptable. **Do not** use metal scouring pads.



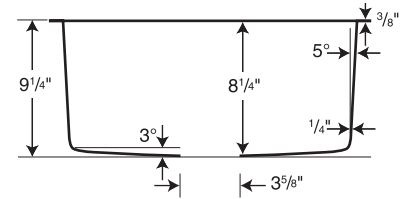
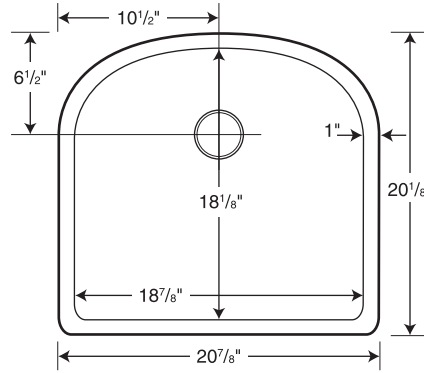
WARRANTY
 Limited Lifetime – Residential
 Limited 10-year – Commercial

Manufactured from Swanstone solid surface
 (See page 2 for detailed information.)

Recommended for high-use traffic areas and commercial surfaces.

FEATURES

- Reinforced solid surface means color and texture run all the way through and cannot wear away.
- Mounts underneath your choice of countertop for high-design appeal.
- Heat, stain, and scratch resistant for lasting beauty.
- Matching or contrasting countertops available. Contact a Swan representative for more information.



Capacity: 9 gallons

SPECIFICATIONS

US-2021 Large Bowl

| Model | Part | Nominal Dimensions | Ship Wt. Lb. | Ship FedEx | Carton Dims. In. | Cu. Ft. |
|---------|-----------|--|--------------|------------|------------------|---------|
| US-2021 | US02021SB | 20-7/8" W x 20-1/8" D (530 mm x 511 mm) | 22 | FedEx | 25 x 24 x 11 | 3.82 |

COLORS

(See inside back cover for color sample.)

Solid Colors:

- White (010)
- Bone (037)
- Bisque (018)
- Bright White (137)
- Pearl (138)

- Glacier (121)
- Gray Granite (042)
- Indian Grass (071)
- Night Sky (012)
- Pebble (072)
- Prairie (122)
- Sierra (094)
- Tahiti Desert (050)
- Tahiti Gray (053)
- Tahiti Ivory (059)
- Tahiti Matrix (058)
- Tahiti Sand (051)
- Tahiti Terra (055)
- Tahiti White (011)
- Winter Wheat (060)

Aggregate Colors:

- Acorn (123)
- Almond Galaxy (046)
- Arctic Granite (035)
- Baby's Breath (168)
- Barley (091)
- Bermuda Sand (040)
- Black Galaxy (015)
- Canyon (124)
- Caraway Seed (169)
- Cornflower (063)

STANDARDS AND RATINGS

American National Standard Institute—ANSI Z124.6
 International Association of Plumbing and Mechanical Officials (IAPMO)—Listed
 cUPC listed—Certified to CSA Test Standard B45.5 by IAPMO
 Uniform Plumbing Code (UPC)
 National Sanitation Foundation—NSF/ANSI 51 Food Equipment Materials

For a complete list of tests and results see the Technical Data Sheet.

SUPPORT DOCUMENTS

Installation instructions available at swanstone.com.

MAINTENANCE AND CLEANING INFORMATION

Clean your Swanstone sink by using abrasive cleaners or other similar products. Use of a nylon scouring pad or Mr. Clean® Magic Eraser® is also recommended. Food-based stains can be removed using a 50-50 mix of bleach and water solution and soaking for 15 minutes. For rust or other mineral stains, rust-removing products are acceptable. **Do not** use metal scouring pads.



WARRANTY

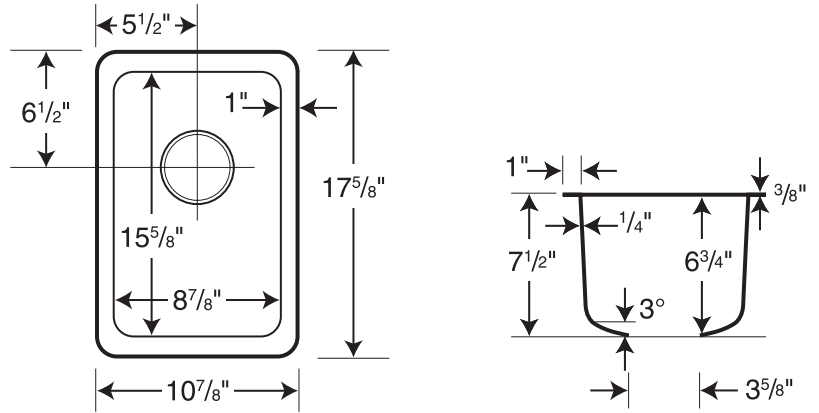
Limited Lifetime – Residential
 Limited 10-year – Commercial

Manufactured from Swanstone solid surface
 (See page 2 for detailed information.)

Recommended for high-use traffic areas and commercial surfaces.

FEATURES

- Reinforced solid surface means color and texture run all the way through and cannot wear away.
- Mounts underneath your choice of countertop for high-design appeal.
- Heat, stain, and scratch resistant for lasting beauty.
- Matching or contrasting countertops available. Contact a Swan representative for more information.



Capacity: 3 gallons

SPECIFICATIONS

US-1711 Small Bowl

| Model | Part | Nominal Dimensions | Ship Wt. Lb. | Ship FedEx | Carton Dims. In. | Cu. Ft. |
|---------|-----------|--|--------------|------------|------------------|---------|
| US-1711 | US01711SB | 10-7/8" W x 17-5/8" D (276 mm x 448 mm) | 18 | FedEx | 21 x 14 x 8 | 1.36 |

COLORS

(See inside back cover for color sample.)

Solid Colors:

- White (010)
- Bone (037)
- Bisque (018)
- Bright White (137)
- Pearl (138)

Aggregate Colors:

- Acorn (123)
- Almond Galaxy (046)
- Arctic Granite (035)
- Baby's Breath (168)
- Barley (091)
- Bermuda Sand (040)
- Black Galaxy (015)
- Canyon (124)
- Caraway Seed (169)
- Cornflower (063)

- Glacier (121)
- Gray Granite (042)
- Indian Grass (071)
- Night Sky (012)
- Pebble (072)
- Prairie (122)
- Sierra (094)
- Tahiti Desert (050)
- Tahiti Gray (053)
- Tahiti Ivory (059)
- Tahiti Matrix (058)
- Tahiti Sand (051)
- Tahiti Terra (055)
- Tahiti White (011)
- Winter Wheat (060)

STANDARDS AND RATINGS

American National Standard Institute—ANSI Z124.6
 International Association of Plumbing and Mechanical Officials (IAPMO)—Listed
 cUPC listed—Certified to CSA Test Standard B45.5 by IAPMO
 Uniform Plumbing Code (UPC)
 National Sanitation Foundation—NSF/ANSI 51 Food Equipment Materials

For a complete list of tests and results see the Technical Data Sheet.

SUPPORT DOCUMENTS

Installation instructions available at swanstone.com.



MAINTENANCE AND CLEANING INFORMATION

Clean your Swanstone sink by using abrasive cleaners or other similar products. Use of a nylon scouring pad or Mr. Clean® Magic Eraser® is also recommended. Food-based stains can be removed using a 50-50 mix of bleach and water solution and soaking for 15 minutes. For rust or other mineral stains, rust-removing products are acceptable. **Do not** use metal scouring pads.



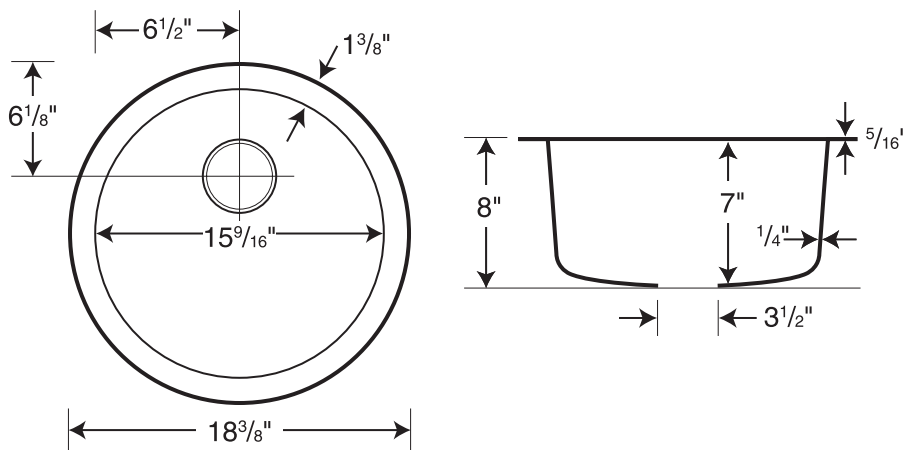
WARRANTY
 Limited Lifetime – Residential
 Limited 10-year – Commercial

Manufactured from Swanstone solid surface
 (See page 2 for detailed information.)

Recommended for high-use traffic areas and commercial surfaces.

FEATURES

- Reinforced solid surface means color and texture run all the way through and cannot wear away.
- Mounts underneath your choice of countertop for high-design appeal.
- Heat, stain, and scratch resistant for lasting beauty.
- Matching or contrasting countertops available. Contact a Swan representative for more information.



Capacity: 5-1/2 gallons

SPECIFICATIONS

USRB-18 Round Bowl

| Model | Part | Nominal Dimensions | Ship Wt. Lb. | Ship FedEx | Carton Dims. In. | Cu. Ft. |
|---------|-----------|------------------------------|--------------|------------|------------------|---------|
| USRB-18 | US00018RB | 18-3/8" Diameter (467 mm) | 18 | FedEx | 22 x 21 x 10 | 2.67 |

COLORS

(See inside back cover for color sample.)

- Solid Colors:**
- White (010)
 - Bone (037)
 - Bisque (018)
 - Bright White (137)
 - Pearl (138)
- Aggregate Colors:**
- Acorn (123)
 - Almond Galaxy (046)
 - Arctic Granite (035)
 - Baby's Breath (168)
 - Barley (091)
 - Bermuda Sand (040)
 - Black Galaxy (015)
 - Canyon (124)
 - Caraway Seed (169)
 - Cornflower (063)
 - Glacier (121)
 - Gray Granite (042)
 - Indian Grass (071)
 - Night Sky (012)
 - Pebble (072)
 - Prairie (122)
 - Sierra (094)
 - Tahiti Desert (050)
 - Tahiti Gray (053)
 - Tahiti Ivory (059)
 - Tahiti Matrix (058)
 - Tahiti Sand (051)
 - Tahiti Terra (055)
 - Tahiti White (011)
 - Winter Wheat (060)

STANDARDS AND RATINGS

American National Standard Institute—ANSI Z124.6
 International Association of Plumbing and Mechanical Officials (IAPMO)—Listed
 cUPC listed—Certified to CSA Test Standard B45.5 by IAPMO
 Uniform Plumbing Code (UPC)
 National Sanitation Foundation—NSF/ANSI 51 Food Equipment Materials

For a complete list of tests and results see the Technical Data Sheet.

SUPPORT DOCUMENTS

Installation instructions available at swanstone.com.

MAINTENANCE AND CLEANING INFORMATION

Clean your Swanstone sink by using abrasive cleaners or other similar products. Use of a nylon scouring pad or Mr. Clean® Magic Eraser® is also recommended. Food-based stains can be removed using a 50-50 mix of bleach and water solution and soaking for 15 minutes. For rust or other mineral stains, rust-removing products are acceptable. **Do not** use metal scouring pads.



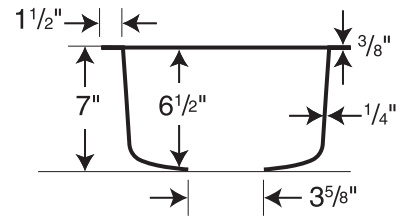
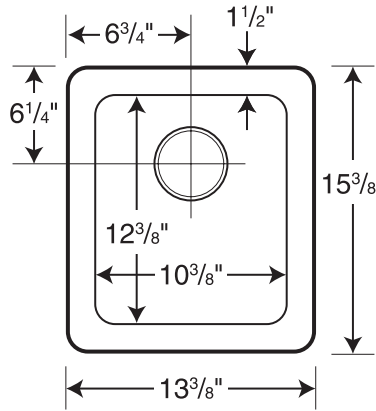
WARRANTY
Limited Lifetime – Residential
Limited 10-year – Commercial

Manufactured from Swanstone solid surface
(See page 2 for detailed information.)

Recommended for high-use traffic areas and commercial surfaces.

FEATURES

- Reinforced solid surface means color and texture run all the way through and cannot wear away.
- Mounts underneath your choice of countertop for high-design appeal.
- Heat, stain, and scratch resistant for lasting beauty.
- Matching or contrasting countertops available. Contact a Swan representative for more information.



Capacity: 2-1/2 gallons

SPECIFICATIONS

US-1210 Entertainment Sink

| Model | Part | Nominal Dimensions | Ship Wt. Lb. | Ship FedEx | Carton Dims. In. | Cu. Ft. |
|---------|-----------|--|--------------|------------|------------------|---------|
| US-1210 | US01513SB | 13-3/8" W x 15-3/8" D (340 mm x 391 mm) | 11 | FedEx | 19 x 16 x 9 | 1.58 |

COLORS

(See inside back cover for color sample.)

Solid Colors:

- White (010)
- Bone (037)
- Bisque (018)
- Bright White (137)
- Pearl (138)

Aggregate Colors:

- Acorn (123)
- Almond Galaxy (046)
- Arctic Granite (035)
- Baby's Breath (168)
- Barley (091)
- Bermuda Sand (040)
- Black Galaxy (015)
- Canyon (124)
- Caraway Seed (169)
- Cornflower (063)

- Glacier (121)
- Gray Granite (042)
- Indian Grass (071)
- Night Sky (012)
- Pebble (072)
- Prairie (122)
- Sierra (094)
- Tahiti Desert (050)
- Tahiti Gray (053)
- Tahiti Ivory (059)
- Tahiti Matrix (058)
- Tahiti Sand (051)
- Tahiti Terra (055)
- Tahiti White (011)
- Winter Wheat (060)

STANDARDS AND RATINGS

American National Standard Institute—ANSI Z124.6
International Association of Plumbing and Mechanical Officials (IAPMO)—Listed cUPC listed—Certified to CSA Test Standard B45.5 by IAPMO
Uniform Plumbing Code (UPC)
National Sanitation Foundation—NSF/ANSI 51 Food Equipment Materials

For a complete list of tests and results see the Technical Data Sheet.

SUPPORT DOCUMENTS

Installation instructions available at swanstone.com.

MADE IN USA

MAINTENANCE AND CLEANING INFORMATION

Clean your Swanstone sink by using abrasive cleaners or other similar products. Use of a nylon scouring pad or Mr. Clean® Magic Eraser® is also recommended. Food-based stains can be removed using a 50-50 mix of bleach and water solution and soaking for 15 minutes. For rust or other mineral stains, rust-removing products are acceptable. **Do not** use metal scouring pads.



Zero Radius Stainless Steel Single Bowl Sink

STAINLESS STEEL KITCHEN SINKS

Manufactured from Stainless Steel

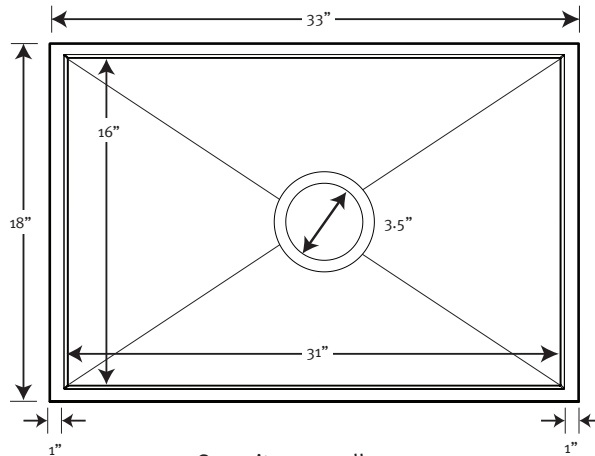
Recommended for residential and commercial applications.

WARRANTY

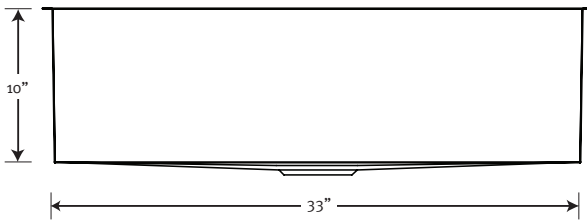
Limited Lifetime – Residential
Limited 10-year – Commercial

FEATURES

- Available in 16- and 18-gauge 304 series stainless steel
- Undermount sink installation
- Contemporary zero-radius design
- Standard 3.5-inch center drain location
- Virtually indestructible; kitchen use will not damage
- Undercoated with sound-deadening pads
- Vibrant brush satin finish
- Limited lifetime warranty



Capacity: 21 gallons



SPECIFICATIONS

Zero Radius 16-Gauge Stainless Steel Single Bowl

| Model | Part | Dimensions | Wt. Lb. | FedEx | Dims. In. | Cu. Ft. |
|--------------|-----------------|------------------------------------|---------|-------|--------------|---------|
| USS16-1631SB | USS161631SB.086 | 33" W x 18" D (833 mm x 456 mm) | 14 | ✓ | 37 x 22 x 14 | 6.6 |

Zero Radius 18-Gauge Stainless Steel Single Bowl

| | | | | | | |
|--------------|-----------------|------------------------------------|----|---|--------------|-----|
| USS18-1631SB | USS181631SB.086 | 33" W x 18" D (833 mm x 456 mm) | 14 | ✓ | 37 x 22 x 14 | 6.6 |
|--------------|-----------------|------------------------------------|----|---|--------------|-----|

COLORS

- Stainless Steel (o86)

MAINTENANCE AND CLEANING INFORMATION

Regular cleaning of your Swan Stainless Steel sink is important to maintain its appearance. Thoroughly rinse with water after each use and towel dry to prevent soap and/or mineral deposits from building up on the surface of the sink. Use only a mild liquid dish washing detergent and a soft sponge to clean the sink.

For weekly cleaning, we recommend using stainless steel cleaner and polisher that does not contain a coarse abrasive. Do not allow standing water in the sink; it causes a buildup of mineral deposit, which can affect the appearance of your sink. Any stubborn stains should be removed by scrubbing in the direction of the grain with a mild abrasive cleaner. Always rinse the sink after using any cleanser and wipe it dry. Mineral deposits can be removed using a mild solution of vinegar and water, followed by a thorough rinsing with water. Remove any scratches with a cleaning pad and cleaning agent, rubbing in the direction of the grain.

SUPPORT DOCUMENTS

Installation instructions available at swanstone.com.



Zero Radius Stainless Steel Double Bowl Sink

STAINLESS STEEL KITCHEN SINKS

Manufactured from Stainless Steel

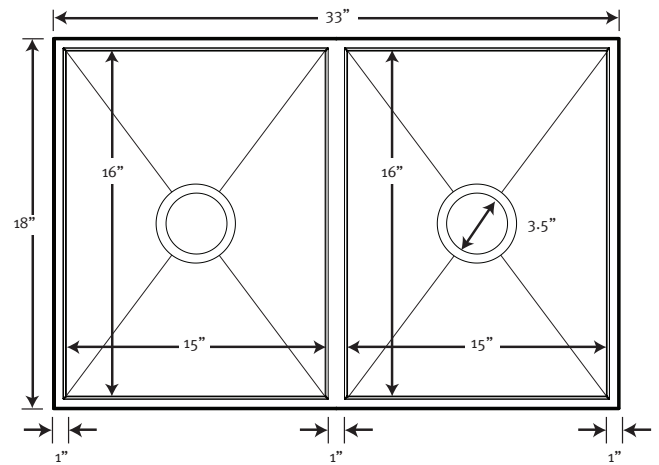
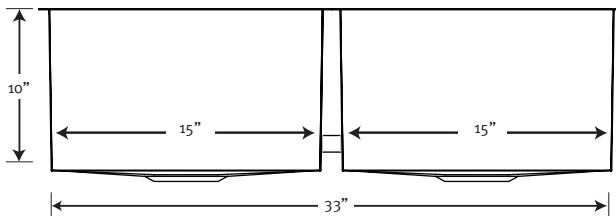
Recommended for residential and commercial applications.

WARRANTY

Limited Lifetime – Residential
Limited 10-year – Commercial

FEATURES

- Available in 16- and 18-gauge 304 series stainless steel
- Undermount sink installation
- Contemporary zero-radius design
- Standard 3.5-inch center drain location
- Virtually indestructible; kitchen use will not damage
- Undercoated with sound-deadening pads
- Vibrant brush satin finish
- Limited lifetime warranty



Capacity: 10 gallons per bowl

SPECIFICATIONS

Zero Radius 16-Gauge Stainless Steel Double Bowl

| Model | Part | Nominal Dimensions | Ship Wt. Lb. | Ship FedEx | Carton Dims. In. | Cu. Ft. |
|--------------|-----------------|------------------------------------|--------------|------------|------------------|---------|
| USS16-1631DB | USS161631DB.086 | 33" W x 18" D (833 mm x 456 mm) | 14 | ✓ | 37 x 22 x 14 | 6.6 |

Zero Radius 18-Gauge Stainless Steel Double Bowl

| | | | | | | |
|--------------|-----------------|------------------------------------|----|---|--------------|-----|
| USS18-1631DB | USS181631DB.086 | 33" W x 18" D (833 mm x 456 mm) | 14 | ✓ | 37 x 22 x 14 | 6.6 |
|--------------|-----------------|------------------------------------|----|---|--------------|-----|

COLORS

- Stainless Steel (o86)

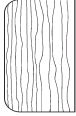
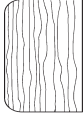
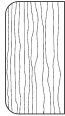
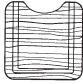
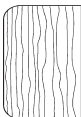
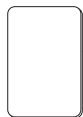



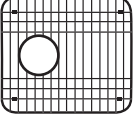

MAINTENANCE AND CLEANING INFORMATION

Regular cleaning of your Swan Stainless Steel sink is important to maintain its appearance. Thoroughly rinse with water after each use and towel dry to prevent soap and/or mineral deposits from building up on the surface of the sink. Use only a mild liquid dish washing detergent and a soft sponge to clean the sink.

For weekly cleaning, we recommend using stainless steel cleaner and polisher that does not contain a coarse abrasive. Do not allow standing water in the sink; it causes a buildup of mineral deposit, which can affect the appearance of your sink. Any stubborn stains should be removed by scrubbing in the direction of the grain with a mild abrasive cleaner. Always rinse the sink after using any cleanser and wipe it dry. Mineral deposits can be removed using a mild solution of vinegar and water, followed by a thorough rinsing with water. Remove any scratches with a cleaning pad and cleaning agent, rubbing in the direction of the grain.

SUPPORT DOCUMENTS

Installation instructions available at swanstone.com.

| | Model | Color | Sink | |
|---|---|--------------|-------------------|---|
| Cutting Boards | | | | |
|  BS-CB |  CB-33 | BS-CB | Teak | BS-1515 |
|  CB-22 |  CB-44 | CB-22 | White, Bone, Wood | KSDB-3322, KSLS-3322 KSSB-2522 |
|  CB-LB |  QZ-22 | CB-33 | White, Bone, Wood | KSSB-3322 |
| | | CB-LB | Wood | KSLB-3322 |
| | | CB-44 | Wood | KSTB-4422 |
| | | QZ-22 | White, Black | QZSB-2522, QZDB-3322, QZED-3322, QZLS-3322, QZAD-3322 |
| Wire Baskets | | | | |
|  WB-22 | | WB-22 | White, Bone | KSDB-3322, KSLS-3322 KSSB-2522, KSTB-4422 |
|  WB-DB | | WB-DB | White, Bone | KSSB-3322, KSDB-3322, KSLS-3322, KSSB-2522, KSTB-4422 |
|  WB-LB | | WB-LB | White | KSLB-3322 |
| Basin Racks | | | | |
|  BR-DB | | BR-DB | White | KSDB-3322 (right bowl) |
| | | BR-LBTB | White | KSTB4422 |
| | | BR-LS | White | KSLS-3322 (left bowl) |
| Drain Grids | | | | |
|  DG-44 | | DG-44 | White | KSTB-4422 |

LAUNDRY TUBS AND UTILITIES



Manufactured from Veritek®
(See page 2 for detailed information.)

WARRANTY
Limited 1-year – Residential
Limited 1-year – Commercial

FEATURES

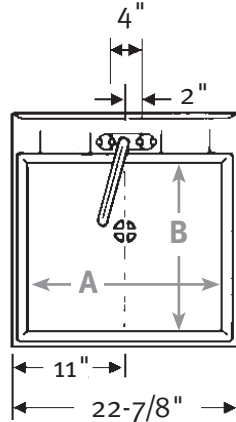
- Made of sturdy Veritek® with no surface coating to chip or crack.
- Will not mold or mildew.

MF-1F Floor Model

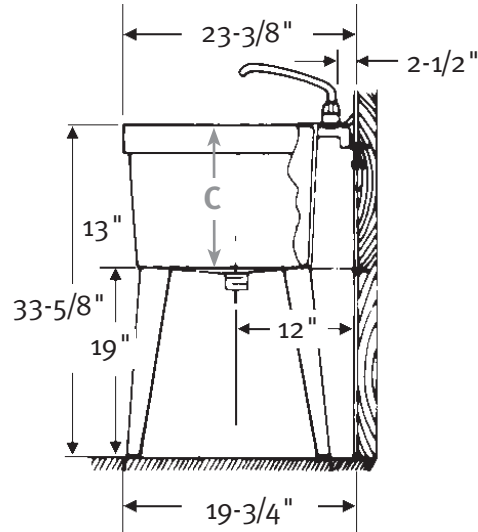
- 22-gallon capacity (83L)
- Four metal legs
- Pre-drilled 4" centers
- Installed drain
- Molded-in wash board

MF-1W Wall Mounted Model

- 22-gallon capacity (83L)
- Wall bracket assembly
- Pre-drilled 4" centers
- Installed drain
- Molded-in wash board



MF-1F Floor Model
23-3/8" D x 22-7/8" W
(594 mm x 581 mm)
A 22", B 19-1/8", C 12-3/4"



SPECIFICATIONS

COLORS

(See inside back cover for color sample.)

- White (010)

MF-1F and MF-1W Veritek® Single Laundry Tubs

| Model | Part | Dimensions | Ship Wt. Lb. | Ship FedEx | Carton Dims. In. | Cu. Ft. |
|---------------------------|---------------|---|--------------|------------|------------------|---------|
| MF-1F Floor Model | MF10000FM.001 | 23-3/8" D x 22-7/8" W (594 mm x 581 mm) | 28 | FedEx | 24 x 24 x 24 | 8 |
| MF-1PF Floor Model | MF10000PF.001 | 23-3/8" D x 22-7/8" W (594 mm x 581 mm) | 28 | FedEx | 24 x 24 x 24 | 8 |
| MF-1W Wall Model w/Hanger | MF10000WM.001 | 23-3/8" D x 22-7/8" W (594 mm x 581 mm) | 28 | FedEx | 24 x 23 x 17 | 5.43 |
| MF1-6PK (Tubs Only) | MF1000006.001 | 23-3/8" D x 22-7/8" W (594 mm x 581 mm) | 113 | — | 40 x 24 x 23 | 12.77 |
| LP-MF/SF-6PK | LP60000MS.000 | | 25 | FedEx | 22 x 13 x 4 | 0.67 |
| LPPF-MF/SF-6PK | LP60000PF.000 | | 20 | FedEx | 22 x 13 x 4 | 0.67 |
| WM-MF1/SF-6PK | WM60000MS.000 | | 11 | FedEx | 27 x 13 x 9 | 1.83 |

MF-1F Includes: One single tub, factory-installed drain, four metal legs with hardware and installation instructions.

Packaging: Packed in individual carton.

MF-1PF Includes: One single tub, factory-installed drain, four composite legs with hardware and installation instructions.

Packaging: Packed in individual carton.

MF-1W Includes: One single tub, factory-installed drain, wall bracket assembly and installation instructions.

Packaging: Packed in individual carton.

MF1-6PK Includes: Six single tubs with factory-installed drains. Legs or wall-mount brackets must be ordered separately.

Packaging: Packed in individual carton.

LP-MF/SF-6PK Includes: 24 metal legs (six sets) with hardware and installation instructions.

Packaging: Packed in individual carton.

LPPF-MF/SF-6PK Includes: 24 composite legs (six sets) with hardware and installation instructions.

Packaging: Packed in individual carton.

WM-MF1/SF-6PK Includes: Six wall bracket assemblies with hardware and installation instructions.

Packaging: Packed in individual carton.

MAINTENANCE AND CLEANING INFORMATION

Clean regularly with common household liquid cleaners and a sponge or soft cloth. For hard water stains, scale removers can be used. **Do not** use abrasive cleaners or metal scouring pads.

SUPPORT DOCUMENTS

Installation instructions available at swanstone.com.

MADE IN USA



Manufactured from Veritek®
(See page 2 for detailed information.)

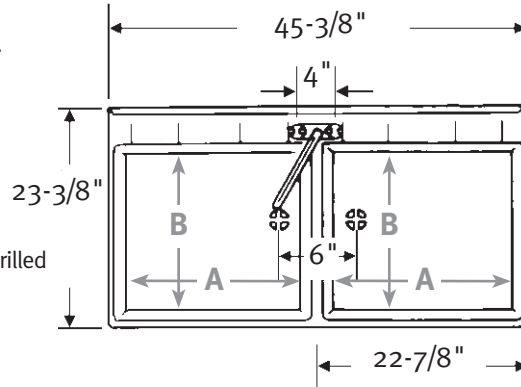
WARRANTY
Limited 1-year – Residential
Limited 1-year – Commercial

FEATURES

- Made of sturdy Veritek® with no surface coating to chip or crack.
- Will not mold or mildew.

MF-2F Floor Model

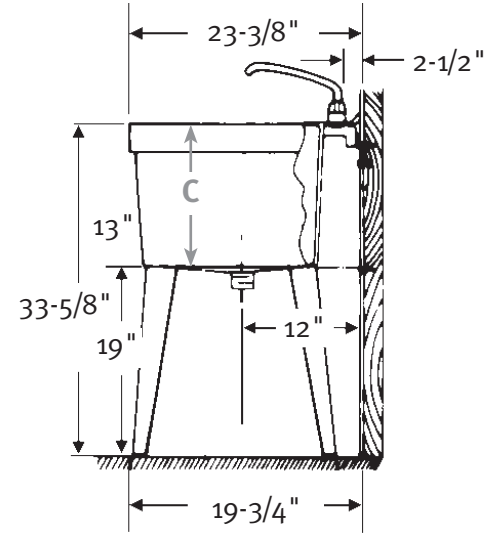
- 44-gallon capacity (166L)
- Four legs
- Pre-marked 4" centers but not drilled
- Drain included
- Molded-in wash board



MF-2F Floor Model
23-3/8" D x 45-3/8" W
(594 mm x 1153 mm)
A 22", B 19-1/8", C 13-5/8"

MF-2W Wall Mounted Model

- 44-gallon capacity (166L)
- Wall-bracket assembly
- 4" centers are marked but not drilled
- Drain included
- Molded-in wash board



SPECIFICATIONS

MF-2F & MF-2W Veritek® Double Laundry Tubs

| Model | Part | Nominal Dimensions | Ship Wt. Lb. | Ship FedEx | Carton Dims. In. | Cu. Ft. |
|-------------------|-----------|---|--------------|------------|------------------|---------|
| MF-2F Floor Model | MF20000FM | 23-3/8" D x 45-3/8" W (594 mm x 1153 mm) | 49 | FedEx | 47 x 24 x 18 | 11.75 |
| MF-2W Wall Model | MF20000WM | 23-3/8" D x 45-3/8" W (594 mm x 1153 mm) | 49 | FedEx | 47 x 24 x 18 | 11.75 |

MF-2F Includes: One double tub, factory-installed drain, four legs with hardware, twin waste and installation instructions.

Packaging: Packed in individual cartons only. Not available in six pack.

MF-2W Includes: One double tub, factory installed drain, wall bracket assembly, twin waste and installation instructions.

Packaging: Packed in individual cartons only. Not available in six pack.

COLORS

(See inside back cover for color sample.)

- White (010)

SUPPORT DOCUMENTS

Installation instructions available at swanstone.com.

MADE IN USA

MAINTENANCE AND CLEANING INFORMATION

Clean regularly with common household liquid cleaners and a sponge or soft cloth. For hard water stains, scale removers can be used. **Do not** use abrasive cleaners or metal scouring pads.



Manufactured from Veritek®
(See page 2 for detailed information.)

WARRANTY
Limited 1-year – Residential
Limited 1-year – Commercial

FEATURES

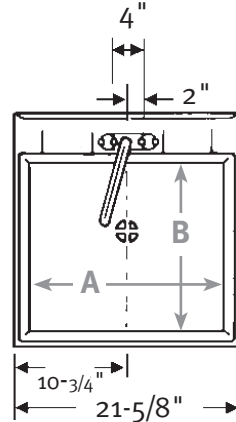
- Made of sturdy Veritek® with no surface coating to chip or crack.
- Will not mold or mildew.

MF-4F Floor Model

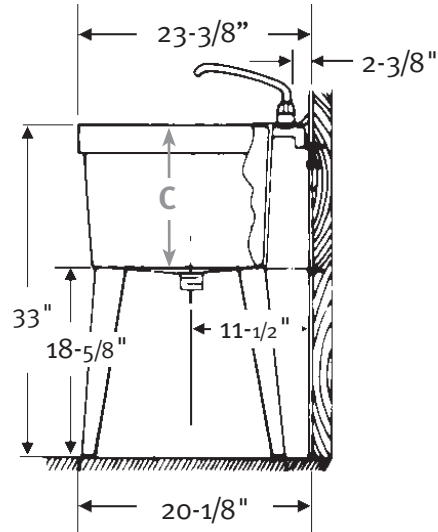
- 18-gallon capacity (68L)
- Four composite legs
- Pre-drilled 4" centers
- Installed drain

MF-4W Wall Mounted Model

- 18-gallon capacity (68L)
- Wall-bracket assembly
- Pre-drilled 4" centers
- Installed drain



Floor Model
23-3/8" D x 21-5/8" W
(594 mm x 549 mm)
A 20-3/4", B 19-1/4", C 13-1/4"



SPECIFICATIONS

COLORS

(See inside back cover for color sample.)

- White (010)

MF-4F and MF-4W Veritek® Laundry Tubs

| Model | Part | Nominal Dimensions | Ship Wt. Lb. | Ship FedEx | Carton Dims. In. | Cu. Ft. |
|---------------------------|----------------|---|--------------|------------|------------------|---------|
| MF-4F Floor Model | MF40000FM.001 | 23-3/8" D x 21-5/8" W (594 mm x 549 mm) | 28 | FedEx | 24 x 23 x 17 | 5.43 |
| MF-4W Wall Model w/Hanger | MF40000WM.001 | 23-3/8" D x 21-5/8" W (594 mm x 549 mm) | 28 | FedEx | 24 x 23 x 17 | 5.43 |
| MF4-6PK (Tubs Only) | MF4000006.001 | 23-3/8" D x 21-5/8" W (594 mm x 549 mm) | 113 | — | 40 x 24 x 23 | 12.78 |
| LP-MF/SF-6PK | LP60000MS.000 | | 25 | FedEx | 22 x 13 x 4 | 0.67 |
| LPPF-MF/SF-6PK | LP60000PF.000 | | 20 | FedEx | 22 x 13 x 4 | 0.67 |
| WM-MF4-6PK | WM60000MF4.000 | | 11 | FedEx | 27 x 13 x 9 | 1.83 |

MF-4F Includes: One single tub, factory-installed drain, four composite legs with hardware and installation instructions.

Packaging: Packed in individual carton.

MF-4W Includes: One single tub, factory-installed drain, wall bracket assembly and installation instructions.

Packaging: Packed in individual carton.

MF4-6PK Includes: Six single tubs with factory-installed drains. Legs or wall-mount brackets must be ordered separately.

Packaging: Packed in individual carton.

LP-MF/SF-6PK Includes: 24 metal legs (six sets) with hardware and installation instructions.

Packaging: Packed in individual carton.

LPPF-MF/SF-6PK Includes: 24 composite legs (six sets) with hardware and installation instructions.

Packaging: Packed in individual carton.

WM-MF4-6PK Includes: Six wall bracket assemblies with hardware and installation instructions.

Packaging: Packed in individual carton.

MAINTENANCE AND CLEANING INFORMATION

Clean regularly with common household liquid cleaners and a sponge or soft cloth. For hard water stains, scale removers can be used. **Do not** use abrasive cleaners or metal scouring pads.

SUPPORT DOCUMENTS

Installation instructions available at swanstone.com.



Manufactured from Veritek®
(See page 2 for detailed information.)

WARRANTY
Limited 1-year – Residential
Limited 1-year – Commercial

FEATURES

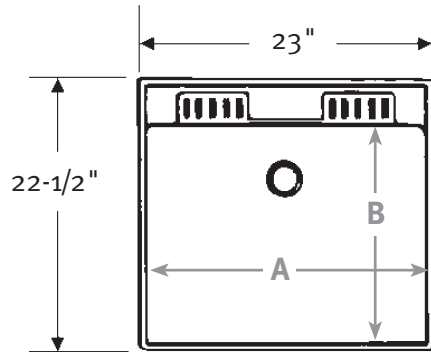
- Made of sturdy Veritek® with no surface coating to chip or crack.
- Will not mold or mildew.
- Pre-marked 4" centers marked but not drilled.
- Drain included.

ST-1F Floor Model

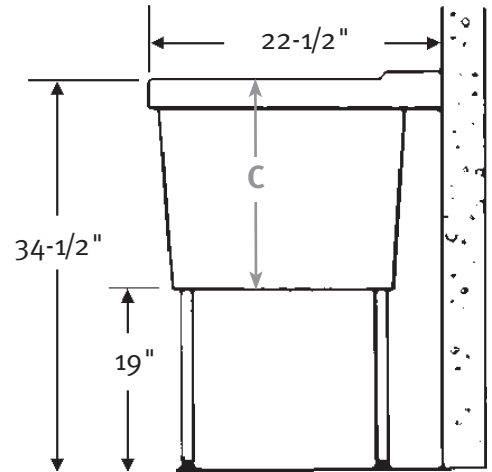
- 22-gallon capacity (83L)
- Four legs

ST-1W Wall Mounted Model

- 22-gallon capacity (83L)
- Wall-bracket assembly



ST-1F Floor Model
22-1/2" D x 23" W
(572 mm x 584 mm)
A 21-5/8", B 17-1/2", C 15-1/2"



SPECIFICATIONS

ST-1F and ST-1W Veritek® Single Laundry Tubs

| Model | Part | Nominal Dimensions | Ship Wt. Lb. | Ship FedEx | Carton Dims. In. | Cu. Ft. |
|---------------------------|-----------------|-------------------------------------|--------------|------------|------------------|---------|
| ST-1F Floor Model | ST10000FM | 22-1/2" D x 23" W (572 mm x 584 mm) | 24 | FedEx | 24 x 23 x 17 | 5.43 |
| ST-1W Wall Model w/Hanger | ST10000WM | 22-1/2" D x 23" W (572 mm x 584 mm) | 25 | FedEx | 24 x 23 x 17 | 5.43 |
| ST1F-6PK Floor Model | ST1000006F.000 | 22-1/2" D x 23" W (572 mm x 584 mm) | 115 | — | 40 x 24 x 23 | 12.77 |
| ST1W-6PK Wall Model | ST100000610.000 | 22-1/2" D x 23" W (572 mm x 584 mm) | 110 | — | 40 x 24 x 23 | 12.77 |

COLORS

(See inside back cover for color sample.)

- White (010)

ST-1F Includes: One single tub, four metal legs with hardware, drain and installation instructions.

Packaging: Packed in individual carton.

ST-1W Includes: One single tub, wall-bracket assembly, drain and installation instructions.

Packaging: Packed in individual cartons.

ST1F-6PK Includes: Six-pack single tubs with drains, 24 metal legs (six sets) with hardware and installation instructions.

Packaging: Tubs and legs are packed in six packs in one rectangular carton.

ST1W-6PK Includes: Six pack single tubs with drains, six wall bracket assemblies with hardware and installation instructions.

Packaging: Tubs and legs are packed in six packs in one rectangular carton.

MAINTENANCE AND CLEANING INFORMATION

Clean regularly with common household liquid cleaners and a sponge or soft cloth. For hard water stains, scale removers can be used. **Do not** use abrasive cleaners or metal scouring pads.

SUPPORT DOCUMENTS

Installation instructions available at swanstone.com.





DIT Single Drop-In Laundry Tub

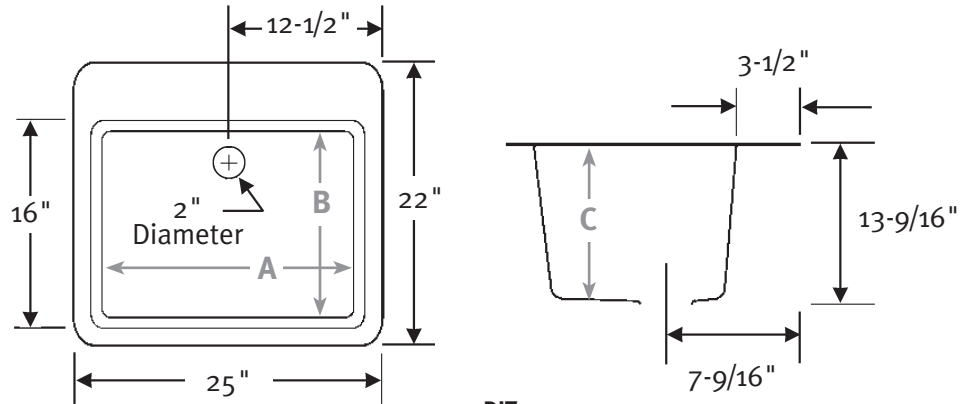
LAUNDRY TUBS AND UTILITIES

Manufactured from Veritek®
(See page 2 for detailed information.)

WARRANTY
Limited 1-year – Residential
Limited 1-year – Commercial

FEATURES

- Made of sturdy Veritek® with no surface coating to chip or crack.
- Will not mold or mildew.
- Available in solid and aggregate colors.
- Flat deck—allows for a variety of faucet applications (4" and 8" centers marked but not drilled).
- 17-1/2 gallon capacity.
- Easily installs into countertop for an upgraded laundry room look.
- Drain included.



DIT
25" W x 22" D
(635 mm x 559 mm)
A 21-1/2", B 16", C 12-3/4"

SPECIFICATIONS

DIT Single, Self-Rimming Drop-In Laundry Tub

| Model | Part | Nominal Dimensions | Ship Wt. Lb. | Ship FedEx | Carton Dims. In. | Cu. Ft. |
|-------|---------|------------------------------------|--------------|------------|------------------|---------|
| DIT | Dl00000 | 25" W x 22" D (635 mm x 559 mm) | 18 | FedEx | 26 x 23 x 16 | 5.43 |

Fits opening of 23-5/8" W x 20-5/8" D (600 mm x 524 mm)

| | | | | | | |
|---------|-----------|---------------|----|---|--------------|------|
| DIT-6pk | Dl0000006 | 25" W x 22" D | 89 | — | 39 x 26 x 23 | 13.5 |
|---------|-----------|---------------|----|---|--------------|------|

DIT Includes: One single tub and drain with hardware for countertop attachment and installation instructions.

Packaging: Packed in individual cartons.

DIT-6pk Includes: Six single tubs and drains with hardware for countertop attachment and installation instructions.

Packaging: Packed in six packs.

COLORS

(See inside back cover for color sample.)

Solid Colors:

- White (010)
- Bisque (018)
- Bone (037)

Aggregate Colors:

- Gray Granite (042)
- Tahiti Desert (050)

SUPPORT DOCUMENTS

Installation instructions available at swanstone.com.

MADE IN USA

MAINTENANCE AND CLEANING INFORMATION

Clean regularly with common household liquid cleaners and a sponge or soft cloth. For hard water stains, scale removers can be used. **Do not** use abrasive cleaners or metal scouring pads.

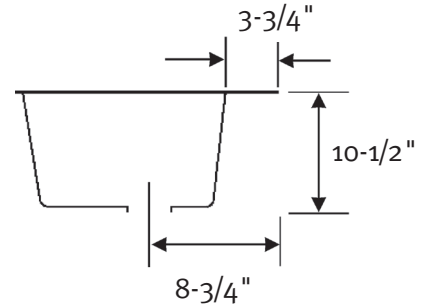
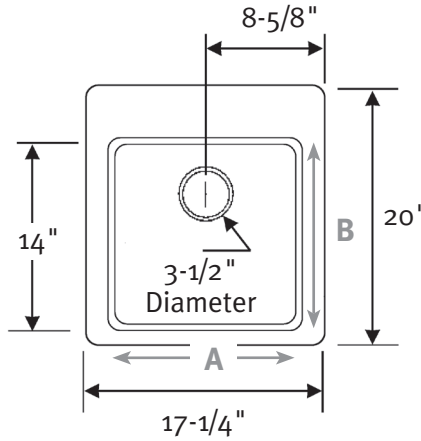


Manufactured from Veritek®
(See page 2 for detailed information.)

WARRANTY
Limited 1-year – Residential
Limited 1-year – Commercial

FEATURES

- Made of sturdy Veritek® with no surface coating to chip or crack.
- Will not mold or mildew.
- Available in solid and aggregate colors.
- Flat deck—allows for a variety of faucet applications (4" and 8" centers marked but not drilled).
- 7-gallon capacity.
- An upgraded countertop laundry tub in a compact size.
- Drain not included.



DIT-S
17-1/4" W x 20" D
(438 mm x 508 mm)
A 14", B 14"

SPECIFICATIONS

DIT-S Single, Self-Rimming Drop-In Laundry Tub

| Model | Part | Nominal Dimensions | Ship Wt. Lb. | Ship FedEx | Carton Dims. In. | Cu. Ft. |
|-------|---------|--|--------------|------------|------------------|---------|
| DIT-S | DS20000 | 17-1/4" W x 20" D (438 mm x 508 mm) | 12 | FedEx | 23 x 22 x 14 | 4.10 |

Fits opening of 15-5/8" W x 18-5/8" D (403 mm x 473 mm)

| | | | | | | |
|-----------|-----------|-------------------|----|-------|--------------|------|
| DIT-S-6pk | DI2000006 | 17-1/4" W x 20" D | 66 | FedEx | 28 x 23 x 20 | 7.46 |
|-----------|-----------|-------------------|----|-------|--------------|------|

DIT-S Includes: One single tub with hardware for countertop attachment and installation instructions.

Packaging: Packed in individual cartons.

DIT-S-6pk Includes: Six single tubs and with hardware for countertop attachment and installation instructions.

Packaging: Packed in six packs.

COLORS

(See inside back cover for color sample.)

Solid Colors:

- White (010)
- Bisque (018)
- Bone (037)

Aggregate Colors:

- Gray Granite (042)
- Tahiti Desert (050)

SUPPORT DOCUMENTS

Installation instructions available at swanstone.com.

MADE IN USA

MAINTENANCE AND CLEANING INFORMATION

Clean regularly with common household liquid cleaners and a sponge or soft cloth. For hard water stains, scale removers can be used. **Do not** use abrasive cleaners or metal scouring pads.

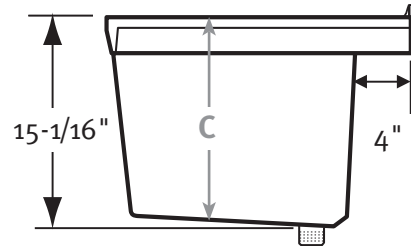
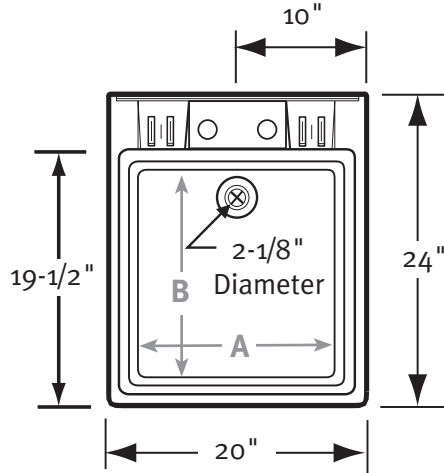


Manufactured from Structural Foam

WARRANTY
 Limited 1-year – Residential
 Limited 1-year – Commercial

FEATURES

- Molded-in drain and stopper.
- Made of structural foam, lightweight but strong.
- Includes 4" pre-molded faucet holes.



SF-1F Floor Model

- 22-gallon capacity (83L)
- Four metal legs

SF-1W Wall Mounted Model

- 22-gallon capacity (83L)
- Wall-bracket assembly

SF-1W Wall Mounted Model

24" D x 20" W (610 mm x 508 mm)
 A 19-1/8", B 19-1/2", C 12"

SPECIFICATIONS

COLORS

(See inside back cover for color sample.)

- White (010)

SF-1F and SF-1W Structural Foam Single Laundry Tubs

| Model | Part | Nominal Dimensions | Ship Wt. Lb. | Ship FedEx | Carton Dims. In. | Cu. Ft. |
|---------------------------|---------------|---------------------------------|--------------|------------|------------------|---------|
| SF-1F Floor Model | SF10000FM.000 | 24" D x 20" W (610 mm x 508 mm) | 20 | FedEx | 25 x 22 x 17 | 5.43 |
| SF-1W Wall Model w/Hanger | SF10000WM.000 | 24" D x 20" W (610 mm x 508 mm) | 21 | FedEx | 25 x 22 x 17 | 5.43 |
| SF1-6PK (Tubs Only) | SF1000006.000 | 24" D x 20" W (610 mm x 508 mm) | 82 | — | 43 x 26 x 22 | 14.24 |
| LP-MF/SF-6PK | LP60000MS.000 | | 25 | FedEx | 22 x 13 x 4 | 0.67 |
| LPPF-MF/SF-6PK | LP60000PF.000 | | 20 | FedEx | 22 x 13 x 4 | 0.67 |
| WM-MF1/SF-6PK | WM60000MS.000 | | 11 | FedEx | 27 x 13 x 9 | 1.83 |

SF-1F Includes: One single tub, four legs with hardware and installation instructions.

Packaging: Packed in individual carton.

SF-1W Includes: One single tub, wall-bracket assembly with hardware and installation instructions.

Packaging: Packed in individual carton.

SF1-6PK Includes: Six-pack single tubs only. Legs or wall-mount brackets must be ordered separately.

Packaging: Packed in individual carton.

LP-MF/SF-6PK Includes: 24 metal legs (six sets) with hardware and installation instructions.

Packaging: Packed in individual carton.

LPPF-MF/SF-6PK Includes: 24 composite legs (six sets) with hardware and installation instructions.

Packaging: Packed in individual carton.

WM-MF1/SF-6PK Includes: Six wall bracket assemblies with hardware and installation instructions.

Packaging: Packed in individual carton.

MAINTENANCE AND CLEANING INFORMATION

Clean regularly with common household liquid cleaners and a sponge or soft cloth. For hard water stains, scale removers can be used. **Do not** use abrasive cleaners or metal scouring pads.

SUPPORT DOCUMENTS

Installation instructions available at swanstone.com.

MADE IN USA

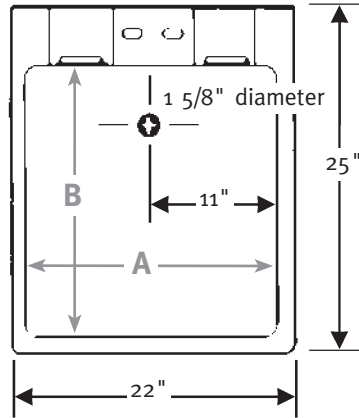


Manufactured from Polypropylene

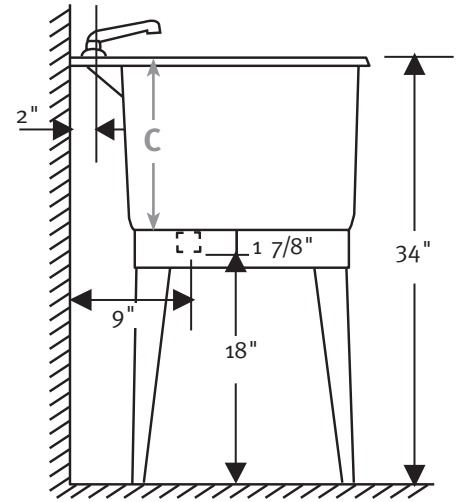
WARRANTY
 Limited 1-year – Residential
 Limited 1-year – Commercial

FEATURES

- 22-gallon capacity (83L).
- Molded-in drain and stopper.
- Made of sturdy polypropylene.
- Affordable utility.
- Includes four metal legs.
- Includes 4" pre-molded faucet holes.



PT-1
 25" D x 22" W
 (635 mm x 559 mm)
 A 20", B 20", C 13-1/2"



SPECIFICATIONS

PT-1 Polypropylene Single Laundry Tub

COLORS

(See inside back cover for color sample.)

- White (010)

| Model | Part | Nominal Dimensions | Wt. Lb. | Ship FedEx | Ship Dims. In. | Carton Cu. Ft. |
|----------------------|-----------|---------------------------------|---------|------------|----------------|----------------|
| PT-1 Floor Model | PT10000 | 25" D x 22" W (635 mm x 559 mm) | 15 | FedEx | 26 x 23 x 18 | 6.23 |
| PT-1-6PK Floor Model | PT1000006 | 25" D x 22" W (635 mm x 559 mm) | 70 | FedEx | 36 x 24 x 26 | 12.64 |

PT-1 Includes: One single tub, four metal legs with hardware and installation instructions.

Packaging: Packed in individual cartons.

PT-1-6PK Includes: Six-pack single tubs, 24 metal legs with hardware and installation instructions.

Packaging: Packed in two cartons: one for tubs and one for legs.

SUPPORT DOCUMENTS

Installation instructions available at swanstone.com.

MAINTENANCE AND CLEANING INFORMATION

Clean regularly with common household liquid cleaners and a sponge or soft cloth. For hard water stains, scale removers can be used. **Do not** use abrasive cleaners or metal scouring pads.

MADE IN USA



MS-2424 Mop Service Sink

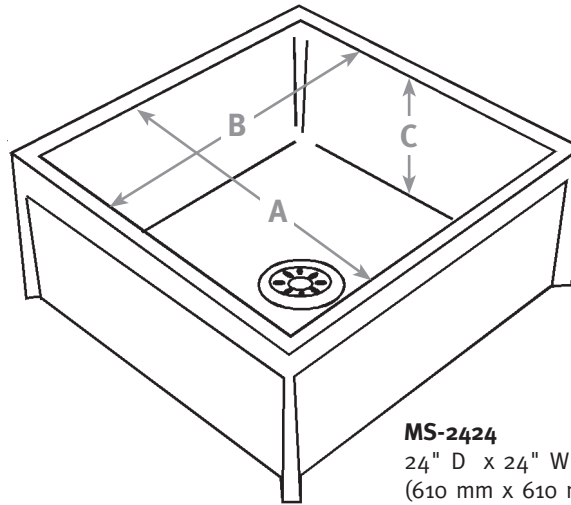
MOP SERVICE SINKS

Manufactured from Swan's stone composite

WARRANTY
Limited 1-year – Residential
Limited 1-year – Commercial

FEATURES

- Manufactured from Swan's compression molded stone composite.
- Includes a 3-inch IPS cast brass drain and a 3-inch drain seal gasket (MS-2411).
- Dome strainer and lint basket.
- The most impact and stain-resistant mop sink available.



MS-2424
24" D x 24" W
(610 mm x 610 mm)
A 21-15/16", B 21-15/16", C 9-1/8"

SPECIFICATIONS

MS-2424 Mop Service Sink

| Model | Part | Nominal Dimensions | Ship Wt. Lb. | Ship FedEx | Carton Dims. In. | Cu. Ft. |
|---------|-----------|------------------------------------|--------------|------------|------------------|---------|
| MS-2424 | MS02424WA | 24" D x 24" W (610 mm x 610 mm) | 49 | FedEx | 25 x 25 x 13 | 4.71 |

Includes: One sink plus one code-approved 3-inch IPS cast brass drain and a 3-inch rubber drain adapter (MS-2411).

Packaging: Packed in individual cartons.

COLORS

(See inside back cover for color sample.)

Solid Colors:

- White (010)

Aggregate Colors:

- Bermuda Sand (040)

ACCESSORIES

See page 168 for complete listing of all mop service sink accessories.

MAINTENANCE AND CLEANING INFORMATION

Clean regularly with common household liquid cleaners and a sponge or soft cloth. For hard water stains, scale removers can be used. **Do not** use abrasive cleaners or metal scouring pads.

SUPPORT DOCUMENTS

Installation instructions available at swanstone.com.

MADE IN USA

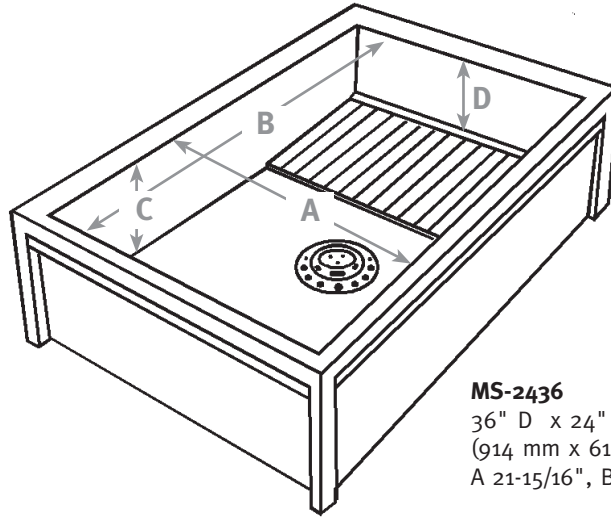


Manufactured from Swan's stone composite

WARRANTY
 Limited 1-year – Residential
 Limited 1-year – Commercial

FEATURES

- Manufactured from Swan's compression molded stone composite.
- Includes a 3" IPS cast brass drain and a 3" drain seal gasket (MS-2411).
- Dome strainer and lint basket.
- The most impact and stain-resistant mop sink available.



MS-2436
 36" D x 24" W
 (914 mm x 610 mm)
 A 21-15/16", B 33-15/16", C 9-1/8", D 8-1/2"

SPECIFICATIONS

MS-2436 Mop Service Sink

| Model | Part | Nominal Dimensions | Ship Wt. Lb. | Ship FedEx | Carton Dims. In. | Cu. Ft. |
|---------|---------------|------------------------------------|--------------|------------|------------------|---------|
| MS-2436 | MS02436WA.033 | 36" D x 24" W (914 mm x 610 mm) | 63 | FedEx | 37 x 25 x 13 | 6.96 |

Includes: One sink plus one code-approved 3-inch IPS cast brass drain and a 3-inch rubber drain adapter (MS-2411).

Packaging: Packed in individual cartons.

COLORS

(See inside back cover for color sample.)

Solid Colors:

- White (010)

Aggregate Colors:

- Bermuda Sand (040)

ACCESSORIES

See page 168 for complete listing of all mop service sink accessories.

MAINTENANCE AND CLEANING INFORMATION

Clean regularly with common household liquid cleaners and a sponge or soft cloth. For hard water stains, scale removers can be used. **Do not** use abrasive cleaners or metal scouring pads.

SUPPORT DOCUMENTS

Installation instructions available at swanstone.com.

MADE IN USA

MOP SERVICE SINK ACCESSORIES

| Model | Part | Dimensions | Ship Wt. Lb. | Ship FedEx | Carton Dims. In. | Cu. Ft. |
|--|---------------|-----------------|-----------------|---------------|---------------------|---------|
| Rubber Drain Adapter 3" to 2" | | | | | | |
| MS-2410 | MS00302DA.000 | 3" to 2" | 1 | FedEx | 3 x 2 x 2 | .01 |
| Rubber Drain Adapter 3" to 3" | | | | | | |
| MS-2411 | MS00303DA.000 | 3" to 3" | 1 | FedEx | 3 x 3 x 2 | .01 |
| Drain Assembly (not shown) | | | | | | |
| MS-2403 | MS02403DA | | 3 | FedEx | 7 x 7 x 3 | .09 |
| Mop Sink Faucet (with vacuum breaker) | | | | | | |
| MS-2412 | MS24000SF.000 | spout length 6" | 7 | FedEx | 11 x 11 x 6 | .42 |
| Flat Drain Cover (not shown) | | | | | | |
| MS-2480 | MS24000DC.000 | | 1 | FedEx | 5 x 1 x 1 | .00 |
| Mop Hanger | | | | | | |
| MS-2437 | MS24000MH.000 | | 3 | FedEx | 25 x 4 x 3 | .17 |
| One Panel And One Corner Bracket For MS-2424 (not shown) | | | | | | |
| MS-1224-1 | WG12240.000 | | 2 | FedEx | 24 x 12 x 5 | .83 |
| One Panel And One Corner Bracket For MS-2436 (not shown) | | | | | | |
| MS-1236-1 | WG12360.000 | | 2 | FedEx | 36 x 24 x 5 | 2.50 |
| Two Panels And One Corner Bracket For MS-2424 (not shown) | | | | | | |
| MS-1224-2 | WG22240.000 | | 2 | FedEx | 24 x 5 x 2 | .14 |
| Two Panels And One Corner Bracket For MS-2436 | | | | | | |
| MS-1236-2 | WG22360.000 | | 2 | FedEx | 36 x 5 x 2 | .21 |
| Vinyl Rim Guard, For Both Sizes | | | | | | |
| MS-2408 | MS24000RG.000 | | 2 | FedEx | 39 x 3 x 2 | .14 |
| Hose & Hose Holder | | | | | | |
| MS-2405 | MS24000HH.000 | | 2 | FedEx | 11 x 11 x 4 | .28 |

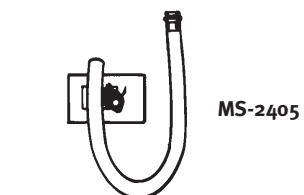
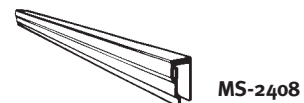
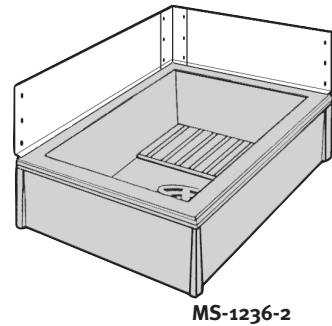
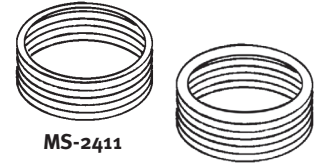


TABLE TOPS



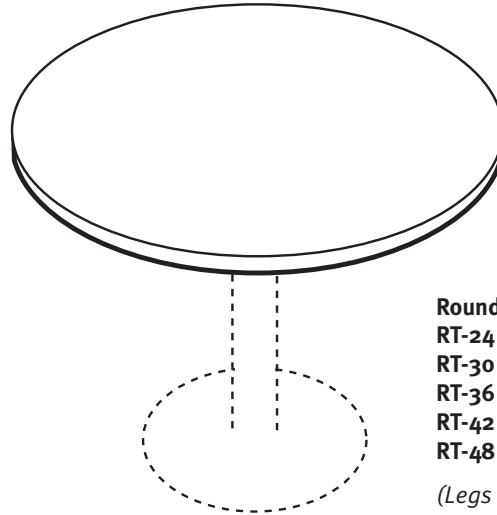
Manufactured from Swanstone solid surface
(See page 2 for detailed information.)

WARRANTY
Limited Lifetime – Residential
Limited 10-year – Commercial

FEATURES

Recommended for high-use traffic areas and commercial surfaces.

- Solid surface – color goes all the way through the material.
• No cracks or rubber edges that can collect food deposits.
• Affordable luxury that laminate tops cannot offer.
• Impact resistance – five times greater than any other solid surface.
• Severe burns disappear when scrubbed with abrasive cleanser.
• Remove minor gouges and scratches with only a nylon scouring pad or fine sandpaper.
• Clean with standard cleanser to keep it looking new.
• Tough food stains can be removed with a sponge and gritty cleanser.
• Non-porous; will not promote bacteria growth.



Round Table Tops:
RT-24 – 24" Diameter (610 mm)
RT-30 – 30" Diameter (762 mm)
RT-36 – 36" Diameter (914 mm)
RT-42 – 42" Diameter (1067 mm)
RT-48 – 48" Diameter (1220 mm)
(Legs sold separately)

SPECIFICATIONS

Swanstone Round Table Tops (Legs sold separately)

Table with 7 columns: Model, Part, Nominal Dimensions, Ship Wt. Lb., Ship FedEx, Carton Dims. In., Cu. Ft. Rows include RT-24, RT-30, RT-36, RT-42, and RT-48.

COLORS

(See inside back cover for color sample.)

- Solid Colors: White (010), Bone (037), Bisque (018), Bright White (137), Pearl (138)
Aggregate Colors: Acorn (123), Almond Galaxy (046), Arctic Granite (035), Baby's Breath (168), Barley (091), Bermuda Sand (040), Canyon (124), Caraway Seed (169), Cloud Bone (126), Cloud White (125), Cornflower (063), Glacier (121)
Golden Steppe (128), Gray Granite (042), Ice (130), Indian Grass (071), Mountain Haze (129), Night Sky (012), Pebble (072), Prairie (122), Sierra (094), Tahiti Desert (050), Tahiti Gray (053), Tahiti Ivory (059), Tahiti Matrix (058), Tahiti Sand (051), Tahiti Terra (055), Tahiti White (011), Tundra (131), Winter Wheat (060)

ACCESSORIES

- Legs for table tops sold separately. See page 174 for details.

STANDARDS AND RATINGS

American National Standard Institute—ANSI Z124.6
International Association of Plumbing and Mechanical Officials (IAPMO)—Listed
cUPC listed—Certified to CSA Test Standard B45.5 by IAPMO
Uniform Plumbing Code (UPC)
National Sanitation Foundation—NSF/ANSI 51 Food Equipment Materials

For a complete list of tests and results see the Technical Data Sheet.

SUPPORT DOCUMENTS

Installation instructions available at swanstone.com.

MADE IN USA

MAINTENANCE AND CLEANING INFORMATION

Clean your Swanstone tabletop with powered abrasive cleaners. Use of a nylon-scouring pad is recommended to remove stubborn stains. Occasional use of a mild bleach and water ensures the original luster will be maintained. Do not use metal scouring pads.



Manufactured from Swanstone solid surface
(See page 2 for detailed information.)

WARRANTY

Limited Lifetime – Residential
Limited 10-year – Commercial

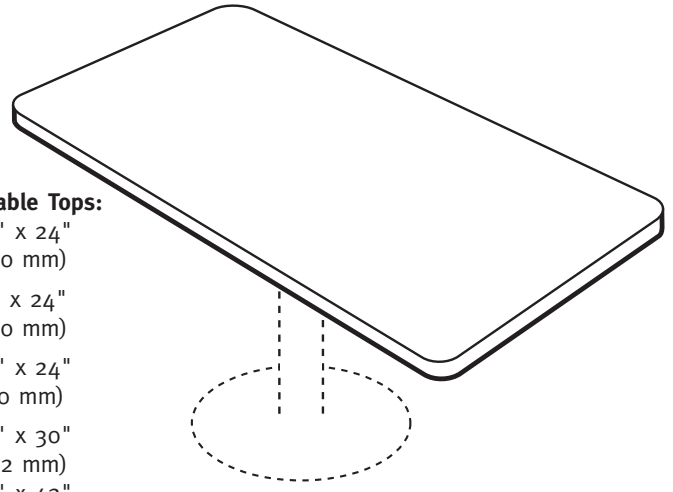
FEATURES

Recommended for high-use traffic areas and commercial surfaces.

- Solid surface – color goes all the way through the material.
- No cracks or rubber edges that can collect food deposits.
- Affordable luxury that laminate tops cannot offer.
- Impact resistance – five times greater than any other solid surface.
- Severe burns disappear when scrubbed with abrasive cleanser.
- Remove minor gouges and scratches with only a nylon scouring pad or fine sandpaper.
- Clean with standard cleanser to keep it looking new.
- Tough food stains can be removed with a sponge and gritty cleanser.
- Non-porous; will not promote bacteria growth.

Rectangular Table Tops:

- TT-2024** – 20" x 24"
(508 mm x 610 mm)
- TT-2124** – 21" x 24"
(533 mm x 610 mm)
- TT-2424** – 24" x 24"
(610 mm x 610 mm)
- TT-2430** – 24" x 30"
(610 mm x 762 mm)
- TT-2442** – 24" x 42"
(610 mm x 1067 mm)



(Legs sold separately)

SPECIFICATIONS

Swanstone Rectangular Table Tops *(Legs sold separately)*

| Model | Part | Nominal Dimensions | Ship Wt. Lb. | Ship FedEx | Carton Dims. In. | Cu. Ft. |
|--------|---------|------------------------------|--------------|------------|------------------|---------|
| TT2024 | TT02024 | 20" x 24" (508 mm x 610 mm) | 17 | - | 21 x 25 x 2 | .61 |
| TT2124 | TT02124 | 21" x 24" (533 mm x 610 mm) | 20 | - | 22 x 25 x 2 | .64 |
| TT2424 | TT02424 | 24" x 24" (610 mm x 610 mm) | 23 | FedEx | 25 x 25 x 2 | .72 |
| TT2430 | TT02430 | 24" x 30" (610 mm x 762 mm) | 28 | FedEx | 31 x 25 x 2 | .90 |
| TT2442 | TT02442 | 24" x 42" (610 mm x 1067 mm) | 42 | FedEx | 44 x 26 x 2 | 1.32 |

COLORS

(See inside back cover for color sample.)

Solid Colors:

- White (010)
- Bone (037)
- Bisque (018)
- Bright White (137)
- Pearl (138)

Aggregate Colors:

- Acorn (123)
- Almond Galaxy (046)
- Arctic Granite (035)
- Baby's Breath (168)
- Barley (091)
- Bermuda Sand (040)
- Canyon (124)
- Caraway Seed (169)
- Cloud Bone (126)
- Cloud White (125)
- Cornflower (063)
- Glacier (121)

- Golden Steppe (128)
- Gray Granite (042)
- Ice (130)
- Indian Grass (071)
- Mountain Haze (129)
- Night Sky (012)
- Pebble (072)
- Prairie (122)
- Sierra (094)
- Tahiti Desert (050)
- Tahiti Gray (053)
- Tahiti Ivory (059)
- Tahiti Matrix (058)
- Tahiti Sand (051)
- Tahiti Terra (055)
- Tahiti White (011)
- Tundra (131)
- Winter Wheat (060)

ACCESSORIES

- Legs for table tops sold separately. See page 174 for details.

STANDARDS AND RATINGS

American National Standard Institute—ANSI Z124.6
International Association of Plumbing and Mechanical Officials (IAPMO)—Listed cUPC listed—Certified to CSA Test Standard B45.5 by IAPMO
Uniform Plumbing Code (UPC)
National Sanitation Foundation—NSF/ANSI 51 Food Equipment Materials

For a complete list of tests and results see the Technical Data Sheet.

SUPPORT DOCUMENTS

Installation instructions available at swanstone.com.

MADE IN USA

MAINTENANCE AND CLEANING INFORMATION

Clean your Swanstone tabletop with powered abrasive cleaners. Use of a nylon-scouring pad is recommended to remove stubborn stains. Occasional use of a mild bleach and water ensures the original luster will be maintained. **Do not** use metal scouring pads.



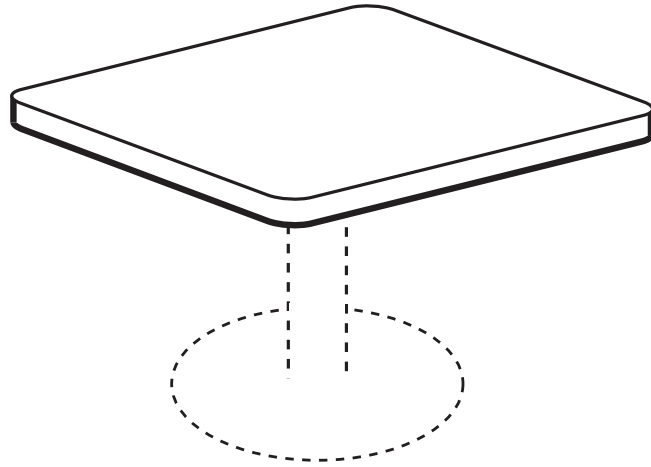
Manufactured from Swanstone solid surface
(See page 2 for detailed information.)

WARRANTY
Limited Lifetime – Residential
Limited 10-year – Commercial

FEATURES

Recommended for high-use traffic areas and commercial surfaces.

- Solid surface – color goes all the way through the material.
- No cracks or rubber edges that can collect food deposits.
- Affordable luxury that laminate tops cannot offer.
- Impact resistance – five times greater than any other solid surface.
- Severe burns disappear when scrubbed with abrasive cleanser.
- Remove minor gouges and scratches with only a nylon scouring pad or fine sandpaper.
- Clean with standard cleanser to keep it looking new.
- Tough food stains can be removed with a sponge and gritty cleanser.
- Non-porous; will not promote bacteria growth.



(Legs sold separately)

SPECIFICATIONS

Swanstone Square Table Tops *(Legs sold separately)*

| | | | | | | |
|--------|---------|-------------------------------|----|-------|-------------|------|
| TT3030 | TT03030 | 30" x 30" (762 mm x 762 mm) | 35 | FedEx | 31 x 31 x 2 | 1.11 |
| TT3636 | TT03636 | 36" x 36" (914 mm x 914 mm) | 56 | FedEx | 37 x 37 x 2 | 1.58 |
| TT4242 | TT04242 | 42" x 42" (1067 mm x 1067 mm) | 75 | - | 43 x 43 x 2 | 2.14 |

COLORS

(See inside back cover for color sample.)

Solid Colors:

- White (010)
- Bone (037)
- Bisque (018)
- Bright White (137)
- Pearl (138)

Aggregate Colors:

- Acorn (123) 🍂
- Almond Galaxy (046)
- Arctic Granite (035)
- Baby's Breath (168)
- Barley (091)
- Bermuda Sand (040)
- Canyon (124) 🍂
- Caraway Seed (169)
- Cloud Bone (126)
- Cloud White (125)
- Cornflower (063)
- Glacier (121) 🍂

- Golden Steppe (128)
- Gray Granite (042)
- Ice (130)
- Indian Grass (071)
- Mountain Haze (129)
- Night Sky (012)
- Pebble (072)
- Prairie (122) 🍂
- Sierra (094)
- Tahiti Desert (050)
- Tahiti Gray (053)
- Tahiti Ivory (059)
- Tahiti Matrix (058)
- Tahiti Sand (051)
- Tahiti Terra (055)
- Tahiti White (011)
- Tundra (131)
- Winter Wheat (060)

ACCESSORIES

- Legs for table tops sold separately. See page 174 for details.

STANDARDS AND RATINGS

American National Standard Institute—ANSI Z124.6
International Association of Plumbing and Mechanical Officials (IAPMO)—Listed
cUPC listed—Certified to CSA Test Standard B45.5 by IAPMO
Uniform Plumbing Code (UPC)
National Sanitation Foundation—NSF/ANSI 51 Food Equipment Materials

For a complete list of tests and results see the Technical Data Sheet.

SUPPORT DOCUMENTS

Installation instructions available at swanstone.com.

MADE IN USA

MAINTENANCE AND CLEANING INFORMATION

Clean your Swanstone tabletop with powered abrasive cleaners. Use of a nylon-scouring pad is recommended to remove stubborn stains. Occasional use of a mild bleach and water ensures the original luster will be maintained. **Do not** use metal scouring pads.



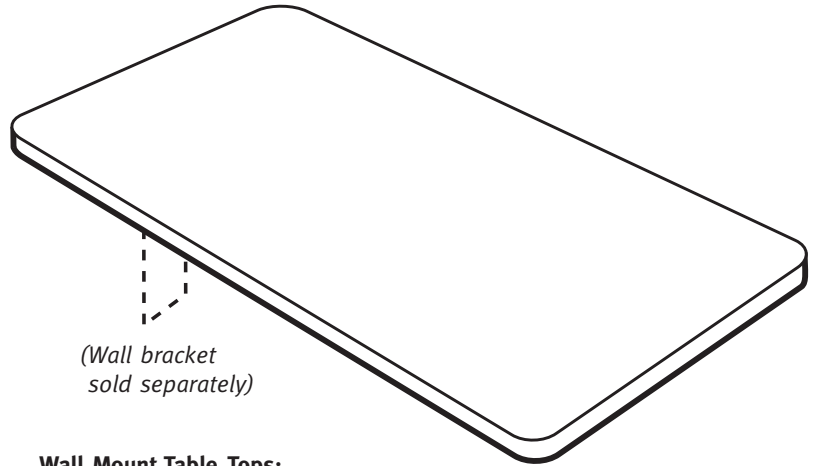
Manufactured from Swanstone solid surface
(See page 2 for detailed information.)

WARRANTY
Limited Lifetime – Residential
Limited 10-year – Commercial

FEATURES

- Solid surface – color goes all the way through the material.
- No cracks or rubber edges that can collect food deposits.
- Affordable luxury that laminate tops cannot offer.
- Impact resistance – five times greater than any other solid surface.
- Severe burns disappear when scrubbed with abrasive cleanser.
- Remove minor gouges and scratches with only a nylon scouring pad or fine sandpaper.
- Clean with standard cleanser to keep it looking new.
- Tough food stains can be removed with a sponge and gritty cleanser.
- Non-porous; will not promote bacteria growth.

Recommended for high-use traffic areas and commercial surfaces.



(Wall bracket sold separately)

Wall Mount Table Tops:

TB-2430 – 24" x 30" (610 mm x 762 mm)

TB-2442 – 24" x 42" (610 mm x 1067 mm)

SPECIFICATIONS

Swanstone Wall Mount Table Tops *(Wall bracket sold separately)*

| Model | Part | Nominal Dimensions | Ship Wt. Lb. | Ship FedEx | Carton Dims. In. | Cu. Ft. |
|--------|---------|------------------------------|--------------|------------|------------------|---------|
| TB2430 | TB02430 | 24" x 30" (610 mm x 762 mm) | 28 | - | 31 x 25 x 2 | .90 |
| TB2442 | TB02442 | 24" x 42" (610 mm x 1067 mm) | 42 | - | 26 x 44 x 2 | 1.32 |

COLORS

(See inside back cover for color sample.)

Solid Colors:

- White (010)
- Bone (037)
- Bisque (018)
- Bright White (137)
- Pearl (138)

Aggregate Colors:

- Acorn (123) 🍂
- Almond Galaxy (046)
- Arctic Granite (035)
- Baby's Breath (168)
- Barley (091)
- Bermuda Sand (040)
- Canyon (124) 🍂
- Caraway Seed (169)
- Cloud Bone (126)
- Cloud White (125)
- Cornflower (063)
- Glacier (121) 🍂

- Golden Steppe (128)
- Gray Granite (042)
- Ice (130)
- Indian Grass (071)
- Mountain Haze (129)
- Night Sky (012)
- Pebble (072)
- Prairie (122) 🍂
- Sierra (094)
- Tahiti Desert (050)
- Tahiti Gray (053)
- Tahiti Ivory (059)
- Tahiti Matrix (058)
- Tahiti Sand (051)
- Tahiti Terra (055)
- Tahiti White (011)
- Tundra (131)
- Winter Wheat (060)

ACCESSORIES

- Wall bracket for table top not included and must be ordered separately.

STANDARDS AND RATINGS

American National Standard Institute—ANSI Z124.6
International Association of Plumbing and Mechanical Officials (IAPMO)—Listed
cUPC listed—Certified to CSA Test Standard B45.5 by IAPMO
Uniform Plumbing Code (UPC)
National Sanitation Foundation—NSF/ANSI 51 Food Equipment Materials

For a complete list of tests and results see the Technical Data Sheet.

SUPPORT DOCUMENTS

Installation instructions available at swanstone.com.

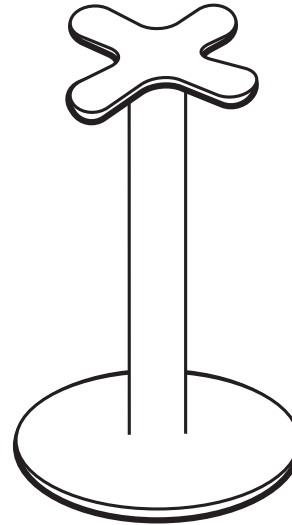
MADE IN USA

MAINTENANCE AND CLEANING INFORMATION

Clean your Swanstone tabletop with powered abrasive cleaners. Use of a nylon-scouring pad is recommended to remove stubborn stains. Occasional use of a mild bleach and water ensures the original luster will be maintained. **Do not** use metal scouring pads.

FEATURES

- Metal table legs for use with round base.
- Black Wrinkle powder coating finish on base casting and column, spider is unfinished.
- Standard base height of 28-1/2”.
- Adjustable black plastic floor guides.
- Table mounting screws and mounting hardware included.


Table Top Base
SPECIFICATIONS
Metal Table Legs with Round Base

| Model | Part | Nominal Dimensions | Ship Wt. Lb. | Ship FedEx | Carton Dims. In. | Cu. Ft. |
|-------|---------|---------------------------------|--------------|------------|------------------|---------|
| TL-18 | TL00018 | 18" base, 3" column, 12" spider | 31 | FedEx | 30 x 20 x 20 | 7 |
| TL-22 | TL00022 | 22" base, 3" column, 12" spider | 36 | FedEx | 30 x 24 x 24 | 10 |
| TL-30 | TL00030 | 30" base, 4" column, 15" spider | 72 | FedEx | 33 x 33 x 30 | 19 |

Table to Base Selection Chart

| Model | Part | Fits Swanstone Table Top Models |
|-------|---------|---|
| TL-18 | TL00018 | RT-24, RT-30, TT-2424, TT-3030, TT-2430 |
| TL-22 | TL00022 | RT-36, TT-3636, TT-2442 |
| TL-30 | TL00030 | RT-42, RT-48 |







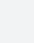






Shower Wall Selection
1 Find your shower floor size.

Choose from the list below. Then follow the chart across to find the elements that are right for your custom Swanstone shower. See below for information about Shower Kits.

2 Choose your shower wall panel height.

Choose only wall panels directly to the right of your shower floor.

Note: Actual shower dimensions may vary, some trimming of panels may be required.

| | | 72" high wall panels | 96" high wall panels |
|---|---|---------------------------------------|---------------------------------------|
|  | SS-3232 Single Threshold 32" D x 32" W | SK-363672 | STMK96-3636 |
| | | STMK72-3636 | SQMK96-3636 |
| | | SQMK72-3636 | CCSK96-3636 |
| | | CCSK72-3636 | |
|  | SS-3248 Single Threshold 32" D x 48" W | SK-324872 | MK96-3648 |
| | | MK72-3648 | STMK96-3648 |
| | | STMK72-3648 | SQMK96-3648 |
| | | SQMK72-3648 | CCSK96-3648 |
|  | SS-3260 Single Threshold 32" D x 60" W | SK-326072 | MK96-3662 |
| | | STMK72-3662 | STMK96-3662 |
| | | SQMK72-3662 | SQMK96-3662 |
| | | CCSK72-3648 + CCSO-1272 overlap panel | CCSK96-3648 + CCSO-1296 overlap panel |
|  | SR-3260L/R Retrofit Single Threshold 32" D x 60" W | SK-326072 | MK96-3662 |
| | | STMK72-3662 | STMK96-3662 |
| | | SQMK72-3662 | SQMK96-3662 |
| | | CCSK72-3648 + CCSO-1272 overlap panel | CCSK96-3648 + CCSO-1296 overlap panel |
|  | SS-3442 Single Threshold 34" D x 42" W | SK-344872 | MK96-3648 |
| | | MK72-3648 | STMK96-3648 |
| | | STMK72-3648 | SQMK96-3648 |
| | | SQMK72-3648 | CCSK96-3648 |
|  | SS-3448 Single Threshold 34" D x 48" W | SK-344872 | MK96-3648 |
| | | MK72-3648 | STMK96-3648 |
| | | STMK72-3648 | SQMK96-3648 |
| | | SQMK72-3648 | CCSK96-3648 |
|  | SS-3454 Single Threshold 34" D x 54" W | SK-346072 | MK96-3662 |
| | | STMK72-3662 | STMK96-3662 |
| | | SQMK72-3662 | SQMK96-3662 |
| | | | |
|  | SS-3460 Single Threshold 34" D x 60" W | SK-346072 | MK96-3662 |
| | | STMK72-3662 | STMK96-3662 |
| | | SQMK72-3662 | SQMK96-3662 |
| | | CCSK72-3648 + CCSO-1272 overlap panel | CCSK96-3648 + CCSO-1296 overlap panel |
|  | SS-3636 Single Threshold 36" D x 36" W | SK-363672 | MK96-3648 |
| | | MK72-3648 | STMK96-3636 |
| | | STMK72-3636 | SQMK96-3636 |
| | | SQMK72-3636 | CCSK96-3636 |
|  | SS-4236 Single Threshold 42" D x 36" W | MK96-4848 (cut to 72") | MK96-4848 |
| | | STMK72-4848 | STMK96-4848 |
| | | SQMK72-4848 | SQMK96-4848 |
| | | | |
|  | SS-4242 Single Threshold 42" D x 42" W | MK96-4848 (cut to 72") | MK96-4848 |
| | | STMK72-4848 | STMK96-4848 |
| | | SQMK72-4848 | SQMK96-4848 |
| | | | |
|  | SS-DTF Double Threshold DTF 36" D x 36" W | MK96-48NEO (cut to 72") | MK96-48NEO |
| | | STMK72-48NEO | STMK96-48NEO |
| | | SQMK72-48NEO | SQMK96-48NEO |
| | | | |
|  | SS-36NEO Neo Angle 36" D x 36" W | MK96-48NEO (cut to 72") | MK96-48NEO |
| | | STMK72-48NEO | STMK96-48NEO |
| | | SQMK72-48NEO | STMK96-48NEO |
| | | | |







Shower Wall Selection (continued)
1 Find your shower floor size.

Choose from the list below. Then follow the chart across to find the elements that are right for your custom Swanstone shower. See below for information about Shower Kits.

2 Choose your shower wall panel height.

Choose only wall panels directly to the right of your shower floor.

Note: Actual shower dimensions may vary, some trimming of panels may be required.

| | | 72" high wall panels | 96" high wall panels |
|---|--|-------------------------|---|
|  | SS-38NEO Neo Angle 38" D x 38" W | MK96-48NEO (cut to 72") | MK96-48NEO |
| | | STMK72-48NEO | STMK96-48NEO |
| | | SQMK72-48NEO | SQMK96-48NEO |
|  | BF-3060L/R Barrier Free 30" D x 60" W  | SK-326072 | MK96-3662 |
| | | STMK72-3662 | STMK96-3662 |
| | | SQMK72-3662 | SQMK96-3662 |
|  | BF-3464 Barrier Free 34" D x 64" W  | | MK96-3662 NOTE: CM-2096 corner molding is required when using the MK96-3662 with the BF-3464 shower floor. |
|  | STS-3738 Transfer Shower 37" D x 38" W | MK72-3648 | MK96-3648 |
| | | STMK72-3648 | STMK96-3648 |
| | | SQMK72-3648 | SQMK96-3648 |
| | | CCSK72-3648 | CCSK96-3648 |

| Included in Wall Kits | | |
|-----------------------|------------------------------|-----------------------|
| SK Kits | MK72/MK96/ STMK/SQMK Kits | CCSK Kits |
| Wall Panels | Wall Panels | Wall Panels |
| ES-2 Soap Dishes | ES-2 Soap Dishes | CCSS-1125 Soap Dishes |
| Install Kit | Install Kit | Install Kit |
| Corner Moldings | | |

| Individual Wall Panel Sizes | | | | | |
|-----------------------------|-------|---|---------------------------|---|-------------|
| Height | Width | 1 Panels | 2 Panels | 3 Panels | |
| 72" | 36" | SS-3672-1 CCSP-3672-1 | SS-3672-2 — | SS-3672-3 — | |
| | 60" | SS-6072-1 | — | — | |
| 96" | 36" | SS-3696-1 SSST-3696-1 SSSQ-3696-1 | SS-3696-2 — — | — — — | |
| | | 48" | SS-4896-11 CCSP-4896-1 | — SS-4896-2 | — — |
| | | | 96" | SS-6296-1 SSST-6296-1 SSSQ-6296-1 | — — — |

Note: Installation kits must be ordered separately when installing individual panels

3 Choose optional Trim Kit/ Corner Molding

| 72" High Walls | 96" High Walls |
|---|--|
| TK-6072 includes edge trim and corner molding | TK-105 includes edge trim and corner molding |
| CM-2072 only includes corner molding | CM-2096 only includes corner molding |

Note: Trim Kits and corner molding are not offered for the Crystal Colors "CCSKxxxx" models.

4 Finish your custom shower by selecting from the Accessory Selection section on the next page.

Bathtub Wall Selection

| 1 Find your bathtub size. Choose from the list below. Then follow the chart across to find the elements that are right for your custom Swanstone bath. | 2 Choose your tub wall panel height. Choose only wall panels directly to the right of your bathtub size. 60" high wall panels or 72" high wall panels | 3 Select an optional trim kit. TK-6072 fits all 60" and 72" kits. Trim kits include corner molding. |
|--|---|--|
| 30" D x 60" W Bathtub | SS-60-3* (60" high) | TK-6072 |
| | SS-60-5* (60" high) | TK-6072 |
| | SSIT-60-3 (60" high) | Integral trim |
| | SS-72-3* (72" high) | TK-6072 |
| | STMK72-3662 (72" high) | TK-6072 |
| | SQMK72-3662 (72" high) | TK-6072 |
| 32" D x 60" W Bathtub | SSIT-60-3 (60" high) | Integral trim |
| | STMK72-3662 (72" high) | TK-6072 |
| | SQMK72-3662 (72" high) | TK-6072 |
| 48" D x 72" W Bathtub | SSWP-4872 (60" high) | 1 each: TK-6072 and TK-105TP |

*These units will fit a 32" bathtub when accompanied by a TK-6072 Trim kit.
Note: The SS-29 installation kit is sold separately for all models except SS-60-5.

4 Finish your custom bath by selecting from the soap dishes below.

Accessory Selection


AS-1075 Recessed Accessory Shelf
 Can be installed vertically or horizontally.



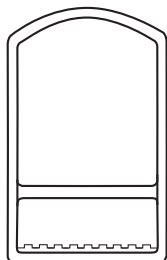
ES-2 Economy Soap Dish
 Kit includes two soap dishes.
 Installs in corners only.



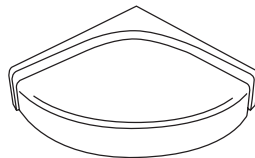
SS-7211 Corner Mount Soap Dish



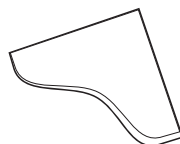
DSP-2 Soap Dish Panel
 Panel includes two molded-in soap and bottle shelves.
 (Fits 60" high tub wall panels only.)



RS-2215 Recessed Shampoo Shelf
 Accommodates large shampoo bottles and fits between wall studding.



CS-1616 Corner Shower Seat
 300 lb. capacity when properly installed.



CCSS-1125 Corner Shelf
 Kit includes two soap dishes.
 *Only available in Crystal Colors.

SOLID SURFACE PRODUCTS SPECIFICATION AND TECHNICAL DATA SHEET

Product

Swanstone Reinforced Solid Surface Products

Manufacturer

Swan, St. Louis, Missouri with manufacturing facilities in Centralia, Illinois.

Product Composition

Swanstone® is a compression-molded compound that consists of a blend of polymer resins, fillers and reinforcement additives. In the manufacturing process, Swanstone transforms into a thermoset material that has extreme resistance to heat, impact, expansion, and chemicals.

Product Category

Swanstone is available in integral top and bowl vanity tops, bathtub surrounds, shower walls, kitchen sinks, kitchen countertops, undermount sinks, bar sinks, drop-in lavatories, undermount bowls, blank vanity tops and table tops. Offset vanity top bowl locations are available.

Colors

Swanstone is available in a variety of solid and aggregate colors, including four eco-friendly colors.

Warranties

Swanstone wall panels and trim kits, vanity tops and bowls, drop-in kitchen and bar sinks, window trim kits and shower floors are covered by a limited lifetime warranty for residential applications. For commercial applications Swan offers the following limited warranties:

25-Year Limited Warranty on wall panels and trim kits.

25-Year Limited Warranty against thermal cracking on our vanity tops and bowls.

10-Year Limited Warranty against defects on counter-tops.

10-Year Limited Warranty against defects and/or thermal cracking on our kitchen sinks and bar sinks.

10-Year Limited Warranty against warping, blistering, loss of color, or fading on shower floors. Complete details and product warranty application for both residential and commercial are available by writing to Swan.

Maintenance

Swanstone should be cleaned as you would any other fine kitchen or bath fixture. For kitchen sinks and countertops, rinse any food or beverage residue as soon as possible; follow up with normal household cleaners. To remove residue that cannot be rinsed away or removed with other types of cleaners, use powdered abrasive cleaners and/or a nylon or plastic scrubbing pad. Vanity tops should be cleaned with normal household cleaners. Cleaners designed for removing mineral-based stains can be used on Swanstone, as well as a mild solution (50/50) of chlorine bleach and water. In the event of a scratch, start with powdered abrasive cleaner and a scrubbing pad; if further attention is needed, use white automotive rubbing compound or light sanding with a 400 grit or 40 micron sandpaper.

Application

Any interior, horizontal and vertical surface application. Also, available for kitchen sink, shower floor, lavatory bowl and bar sink applications.

Limitations

Swanstone Products are not recommended for exterior use. Material should not be used in areas exposed to sustained temperatures exceeding 450 degrees F. Follow all recommended installation procedures provided by manufacturer.

Finish

The decorative surface of Swanstone is a matte finish equal to a 320 grit sandpaper (gloss reading of 25). A higher sheen can be produced by buffing the product with commercial rubbing compound.

Availability

Swanstone is available nationwide through local stocking distributors. Contact Swan for your nearest distributor.

Cost

Cost varies with product category. Contact your local distributor for applicable costs.

Installation

Swanstone reinforced solid surface products are shipped with complete installation manuals provided with every unit. Consult the specific product installation manual for step-by-step installation procedures. All manuals are available through Swan or your local distributor.

Chemical And Stain Resistance

Chemical and Stain Resistance—NEMA LD3-3.09 No lasting effect on Swanstone occurred from the exposure to the following.

Class I Chemicals

Solvents

Acetone
Amyl Acetate
Benzene
Carbon Tetrachloride
Ethyl Ether
Gasoline/Kerosene
Ethanol
Methanol
Toluene
Chloroform
Ethyl Acetate
Naphtha

Other

Ammonia (10%)
Iodine
Lye (1%)
Mercurochrome
Nail Polish Remover
Potassium Permanganate
Silver Nitrate (10%)
Sodium Bisulfate
Sodium Hypochlorite (5%)
Trisodium Phosphate
Urea (6%)
Vinegar

Class II Chemicals

Acids

Furfural
Methylene Chloride
Nitric Acid (30%, 70%)*
Phenol
Acids (99.5%)
Citric
Hydrochloric (20%)
Phosphoric
Sulfuric (77.96%)*
Trichlor Acetic
Formic
Hydrogen Peroxide

Alkalies

Ammonium Hydroxide
Sodium Hydroxide (10% & 40%)
Sodium Hydroxide Flake

*May cause slight lightening.

SOLID SURFACE PRODUCTS SPECIFICATION AND TECHNICAL DATA SHEET

| PROPERTY | TYPICAL RESULTS | TEST |
|-----------------------------|--|---------------------------|
| Impact Resistance | No damage 1-1/2 Diameter Steel Ball. Over 72" | NEMA LD-3 |
| Izod Impact | | |
| Method A (with notch) | 3.0 ft. - lb./in. | ASTM D256 |
| Method E (reverse notch) | 4.0 ft. - lb./in. | ASTM D256 |
| Stain Resistance | Passes | CSA B45.5/IAPMO Z124-2011 |
| Cigarette Resistance | Passes | CSA B45.5/IAPMO Z124-2011 |
| Boiling Water Resistance | No effect | NEMA LD-3 |
| High Temperature Resistance | Slight effect | NEMA LD-3 |
| Abrasion Resistance | Passes | ASTM D4060 |
| Color Fastness and Aging | No change | NEMA LD-3 |
| Tensile Strength | 4439 PSI | ASTM D638 |
| Tensile Modulus | 7.48 x 10 ⁵ PSI | ASTM D638 |
| Tensile Elongation | .45% | ASTM D638 |
| Hardness | Barcol Hardness: 51 Rockwell RB Hardness: 60.5 15-T Hardness: 34.7 | ASTM D2583 |
| Slip Resistance | Passes | ASTM F462 |
| Fungus Resistance | Passes: 0 Growth | ASTM G21-96 |
| Bacterial Resistance | Passes: 0 Growth | ASTM G22-90 |
| Wear and Cleanability | Passes | CSA B45.5/IAPMO Z124-2011 |
| Flexural Strength | 8225 PSI | ASTM D790 |
| Flexural Modulus | 7.49 x 10 ⁵ PSI | ASTM D790 |
| Thermal Expansion | 1.98 x 10 ⁻⁴ in/in/°F | ASTM D696 |
| Gloss (60°) | 40 | NEMA LD3 |
| Water Absorption | .321% | ASTM D570 |
| Specific Gravity | 1.55 | |

FLAMMABILITY

| | | |
|-----------------------|---------------|----------|
| Flame Spread Index | Meets Class A | ASTM E84 |
| Smoke Developed Index | 85 | ASTM E84 |
| Fire Rating | Class A | |

Approximate weight per square foot 2 lbs. for 1/4" sheet. See product guide for actual weights.

RATINGS AND LISTINGS

American National Standard
Institute-ANSI Z124.3 and Z124.6

International Association of
Plumbing and Mechanical Officials
(IAPMO)-listed

National Plumbing Code of Canada
CSA 1345 Series

New York City Material Acceptance
Application #298-88-M



Swanstone® is NSF Standard
51 Certified for Both Food and
Splash Zone Applications

Housing and Urban Development
-HUD UM 73 Certified

Technical Services

Please call (800) 325-7008 or email us at infomail@swanstone.com. Visit our website www.swanstone.com for details including dimensional autocad drawings.

SECTION 06067 – PLASTIC SURFACING

PART 1 – GENERAL

1.1 RELATED DOCUMENTS

Drawings and general provisions of Contract, including General and Supplementary Conditions and Division 1 Specification sections, apply to this section.

1.2 SECTION INCLUDES

- A. Solid Surface Compression Molded Sheet Materials.
 - a. Countertops.
 - b. Wall Panels.
 - c. Tub Walls with Trim Kit.
 - d. Shower Walls with Trim Kit.
 - e. (Insert Other)
- B. Solid Surface Compression Molded Products.
 - a. Single Bowl Kitchen Sinks (undermount / self rimming).
 - b. Double Bowl Kitchen Sinks (undermount / self rimming).
 - c. Molded Counter Tops.
 - d. Countertops with Integral Bowl.
 - e. Vanity Tops.
 - f. Vanity Tops with Integral Bowl.
 - g. Lavatory Bowls (undermount / self rimming).
 - h. Bar Sinks (undermount / self rimming).
 - i. Barrier Free Shower Floors.
 - j. Shower Floors.
 - k. Window Trim Kits.
 - l. Corner Soap Dishes.
 - m. Recessed Accessory Shelves.
 - n. Economy Soap Dishes.
 - o. Soap Dish Panels.
 - p. Table Tops
 - q. (Insert Other)

1.3 RELATED SECTIONS

- A. Section 06200 – Finish Carpentry.
- B. Section 06400 – Architectural Woodwork.
- C. Section 12300 – Manufactured Casework.
- D. Sections of Division 15 for coordination of plumbing fixture installation.

1.4 REFERENCES

- A. ADA – American Disabilities Act.
- B. ANSI Z 124.3 – Plastic Lavatories.
- C. ANSI Z 124.6 – Plastic Sinks.
- D. ANSI Z 124.1.2 – Plastic Bathtub & Shower Units
- E. ASTM D 256 – Standard Test Method for Determining the Pendulum Impact Resistance of Notched Specimens of Plastics.

- F. ASTM D 570 – Standard Test Method for Water Absorption.
- G. ASTM D 638 – Standard Test Method for Tensile Properties.
- H. ASTM D 696 - Standard Test Method for Coefficient of Linear Thermal Expansion of Plastics Between – 30 degrees C. and 30 degrees C.
- I. ASTM D 2583 – Standard Test Method for Rockwell Hardness of Plastics and Electrical Insulating Materials.
- J. ASTM D 790 – Standard Test Methods for Flexural Properties of Unreinforced and Reinforced Plastics and Electrical Insulating Materials.
- K. ASTM F-462 – Standard Consumer Safety Specification for Slip-Resistance Bathing Facilities.
- L. ASTM G21-96 – Standard Practice for Determining Resistance of Synthetic Polymeric Materials for Fungi.
- M. ASTM G22-90 – Standard Practice for Determining Resistance of Plastics to Bacteria.
- N. NEMA – National Electrical Manufacturers Association.
- O. NSF – National Sanitation Foundation.

1.5 SUBMITTALS

- A. Submit shop drawings under provisions of Section 01300 which indicate dimensions, component sizes, fabrication details, attachment provisions and coordination requirements with adjacent work.
- B. Samples:
 - 1. Selection Samples: Submit 2" x 2" actual samples of surfacing materials to illustrate full range of colors, patterns, and finishes available.
 - 2. Verification Samples: Submit two samples, each 2" x 2" square, illustrating each selected surfacing material in specified color, pattern, and finish.
- C. Product Data:
 - 1. Indicate product description, fabrication information and compliance with specified performance requirements.
- D. Manufacturer's Instructions:
 - 1. Submit manufacturer's printed installation instructions for each product.
 - 2. Submit manufacturer's care and maintenance data, including repair and cleaning instructions. Include in project closeout documents.

1.6 DELIVERY, STORAGE, AND HANDLING

- A. Deliver, store, protect, and handle products in accordance with provisions of Section 01600.
- B. Store surfacing materials to prevent breakage and marring of surfaces in accordance with manufacturer's printed instructions.
- C. Provide protective coverings to prevent physical damage or staining following installation for duration of project.

1.7 SEQUENCING

- A. Ensure that fabricators using products of this section are in possession of complete manufacturer's instructions before beginning fabrication. Work should be performed by factory trained fabricators.

1.8 WARRANTY

- A. Countertops: Provide manufacturer's 10-year warranty against defects in materials. Warranty shall provide material only to repair or replace defective materials.
- B. Commercial: Swan offers the following limited warranties: 25-Year Limited Warranty on wall panels and trim kits; 25-Year Limited Warranty against thermal cracking on our vanity tops and bowls; 10-Year Limited Warranty against defects and/or thermal cracking on our kitchen sinks and bar sinks; 10-Year Limited Warranty against warping, blistering, loss of color, or fading on shower floors; 10-Year Warranty against manufacturing defects on Molded Table Tops. Warranty shall provide material only to repair or replace defective materials.
- C. Residential: Provide manufacturer's Lifetime Warranty against defects in materials.

PART 2 – PRODUCTS

2.1 MANUFACTURER

- A. Subject to with requirements, provide plastic surfacing material by the following manufacturer:
 1. The Swan Corporation
515 Olive Street
St. Louis, MO 63101
Telephone: 800/325-7008
Fax: 314/231-8165
- B. Requests for substitutions will be considered in accordance with provisions of Section 01600.
- C. Substitutions: Not permitted.

2.2 SWANSTONE SOLID SURFACING MATERIAL

- A. Swanstone Solid Surfacing Materials.
- B. Product Description: Homogenous compression molded material composed of acrylic resins or polyester/acrylic resin blend, fire-retardant filler materials, fiber reinforcement, and coloring agents meeting the following requirements:
 1. Nominal sheet thickness: 0.225 inch (6mm)
 2. Surface burning characteristics in accordance with ASTM E 84: Flame spread meets Class A, Smoke Developed Index 85.
 3. Liquid Absorption, ASTM D 570, for 1/4 inch material thickness: 0.321 percent.
 4. Izod Impact, ASTM D 256,
Method A: 3.0 ft.-lb./in.
Method E: 4.0 ft.-lb./in.
 5. Tensile Modulus, ASTM D 638 Nominal:
7.48 X 10⁵ PSI.
 6. Hardness, ASTM D 2583, Barcol Hardness: 51.
Rockwell RB Hardness: 60.5, IST Hardness:
34.7.
 7. Flexural Modulus, ASTM D 790:
7.49 X 10⁵ PSI.
 8. Gloss Level 40% at 60°, NEMA LD 3; +/- 5%.
 9. Stain Resistance, CSA B45.5/IAPMO
Z124-2011, Passes.
 10. Boiling Water Resistance, NEMA LD 3,
Method 3.5: No effect.
 11. High Temperature Resistance, NEMA LD 3,
Method 3.6: Slight effect (sustain
temperature up to 375 degrees F).
 12. Ball Impact Resistance, NEMA LD 3, Method
3.8, 1-1/2" diameter steel ball: Over
72", no damage.
 13. Specific Gravity: 1.55 grams per cubic
centimeter.
 14. Approximate weight: 2 pounds per square
foot in 1/4" sheet products.
 15. NSF Food Zone and Splash Zone Compliant.
 16. Bacterial Resistance, ASTM G22-90:
Passes: 0 Growth.
 17. Abrasion Resistance, ASTM D4060, Passes.
- C. Countertops:
 1. Swanstone Solid Surfacing Material:
 2. Type: Counter Top Model _____.

3. Type: Island Top Model _____.
4. Type: Backsplash Model _____.
5. Size: _____ inches by _____ inches.
6. Color: _____.
7. Color: Indicated on drawings.
8. Color: Selected from manufacturer's range of available colors.

D. Wall Panels:

1. Swanstone Solid Surfacing Material (nominal .225" thickness):
2. Type: Wall Panel Model _____.
3. Size: _____ inches by _____ inches.
4. Color: _____.
5. Color: Indicated on drawings.
6. Color: Selected from manufacturer's range of available colors.

E. Tub Walls with Trim Kit:

1. Swanstone Solid Surfacing Material (nominal .225" thickness):
2. Type: Tub Wall Panel Model _____.
3. Trim Kit Model _____.
4. Size: _____ inches by _____ inches.
5. Color: _____.
6. Color: Indicated on drawings.
7. Color: Selected from manufacturer's range of available colors

F. Shower Walls with Trim Kit:

1. Swanstone Solid Surfacing Material (nominal .225" thickness):
2. Type: Shower Wall Panel Model _____.
3. Trim Kit Model _____.
4. Size: _____ inches by _____ inches.
5. Color: _____.
6. Color: Indicated on drawings.
7. Color: Selected from manufacturer's range of available colors

2.3 SWANSTONE SOLID SURFACE COMPRESSION MOLDED PRODUCTS

A. Product Description: Compression molded items of same homogenous material, composed of mineral-filled thermoplastic polymers with fiber reinforcement finished to smooth surface, as solid plastic surfacing material meeting the following requirements:

1. Physical characteristics when tested in accordance with ANSI Z 124.3:
 - a. Test 3.3; Surface test: No chips, cracks, or blisters.
 - b. Test 3.4; Subsurface test: No voids.
 - c. Test 4.2; Drain fitting connection test, 25

- pounds at 24 inches: No cracks or chips.
- d. Test 4.3; Impact load test, 1/2 pound ball at 20 inches: No cracks or chips.
- e. Test 4.4; Load test, 300 pounds: No cracks
- f. Test 4.4; Residual deflection, after removal of 300 pound load: No deflection.
- g. Test 5.1; Colorfastness test: No change after 200 hours.
- h. Test 5.3; Wear and cleanability test: Maximum 0.2 percent reflectance loss after 10,000 cycles.
- i. Test 5.4; Cigarette burn resistance test, 2 minute duration: No effect after cleaning.
- j. Test 5.6, Ignition test: Pass.
- k. Test 6.3.2; Water resistance test, 500 cycles alternating between 150 degrees F and 50 degrees F: No crazing blistering, or spalling.

B. Single Bowl Kitchen Sinks:

1. Swanstone Compression Molded Fixtures;
2. Model Number _____ single bowl; outside dimensions _____ inches by _____ inches bowl dimensions _____ inches by _____ inches by _____ inches.
3. Color: _____.
4. Color: Indicated on drawings.
5. Color: Selected from manufacturer's full range of available colors.

C. Double Bowl Kitchen Sinks:

1. Swanstone Compression Molded Fixtures;
2. Model Number _____ double bowl; outside dimensions _____ inches by _____ inches bowl dimensions _____ inches by _____ inches by _____ inches.
3. Color: _____.
4. Color: Indicated on drawings.
5. Color: Selected from manufacturer's full range of available colors.

D. Molded Counter Tops: Integral top and seamless edges. Compression molded into one piece between edges and top with factory installed 3/4" Roseburg Ultrakote particle board or plywood. Tops will include a factory installed .5" perimeter build-up.

1. Swanstone Compression Molded Fixtures;
2. Type: Counter Top Model _____.
3. Type: Island Top Model _____.
4. Type: Backsplash Model _____.
5. Color: _____.
6. Color: Indicated on drawings.
7. Color: Selected from manufacturer's range of available colors.

E. Countertops with Integral Bowls:

1. Swanstone Compression Molded Fixtures;

2. Type: Counter Top Model _____.
 3. Size: _____ inches by _____ inches with _____ inches bowl depth.
 4. Color: _____.
 5. Color: Indicated on drawings.
 6. Color: Selected from manufacturer's full range of available colors.
- F. Vanity Tops:
1. Swanstone Solid Surfacing Material:
 2. Type: Vanity Top Model _____.
 3. Type: Backsplash Model _____.
 4. Size: _____ inches by _____ inches.
 5. Color: _____.
 6. Color: Indicated on drawings.
 7. Color: Selected from manufacturer's range of available colors.
- G. Vanity Tops with Integral Bowls:
1. Swanstone Compression Molded Fixtures;
 2. Model Number _____, molded with integral bowl (s) and 3" inches high integral backsplash:
 3. Top Size: _____ wide by _____ deep.
 - a. Bowl: Single, centered in top width.
 - b. Bowl: Single, offset to left quarter point of top width, viewed from front edge.
 - c. Bowl: Single, offset to right quarter point of top width, viewed from front edge.
 - d. Bowls: Double, each offset to quarter points of top width, viewed from front edge.
 4. Color: _____.
 5. Color: Indicated on drawings.
 6. Color: Selected from manufacturer's full range of available colors.
- H. Lavatory Bowls: (undermount / self rimming)
1. Swanstone Compression Molded Fixtures;
 2. Model Number _____; outside dimensions ____ inches by ____ inches inside dimensions ____ inches by ____ inches by ____ inches.
 3. Color: _____.
 4. Color: Indicated on drawings.
 5. Color: Selected from manufacturer's full range of available colors.
- I. Bar Sinks (undermount / self rimming)
1. Swanstone Compression Molded Fixtures;
 2. Model Number _____;
 3. Size: _____ inches by _____ inches with _____ inches bowl depth.
 4. Color: _____.
 5. Color: Indicated on drawings.
 6. Color: Selected from manufacturer's full range of available colors.
- J. Barrier Free Shower Floors:
1. Swanstone Solid Surfacing Material:
 2. Type: Barrier Shower Floor Model _____.
 3. Size: _____ inches by _____ inches.
 4. Color: _____.
 5. Color: Indicated on drawings.
 6. Color: Selected from manufacturer's range of available colors.
- K. Shower Floors:
1. Swanstone Solid Surfacing Material:
 2. Type: Shower Floor Model _____.
 3. Size: _____ inches by _____ inches.
 4. Color: _____.
 5. Color: Indicated on drawings.
 6. Color: Selected from manufacturer's range of available colors.
- L. Window Trim Kits:
1. Swanstone Solid Surfacing Material:
 2. Type: Window Trim Kit Model _____.
 3. Size: _____ inches by _____ inches.
 4. Color: _____.
 5. Color: Indicated on drawings.
 6. Color: Selected from manufacturer's range of available colors.
- M. Corner Soap Dishes:
1. Swanstone Compression Molded Fixtures;
 2. Model Number _____.
 3. Color: _____.
 4. Color: Indicated on drawings.
 5. Color: Selected from manufacturer's range of available colors.
- N. Recessed Accessory Shelves:
1. Swanstone Compression Molded Fixtures;
 2. Model Number _____.
 3. Color: _____.
 4. Color: Indicated on drawings.
 5. Color: Selected from manufacturer's range of available colors.
- O. Economy Soap Dishes:
1. Swanstone Compression Molded Fixtures;
 2. Model Number _____.
 3. Color: _____.
 4. Color: Indicated on drawings.
 5. Color: Selected from manufacturer's range of available colors.
- P. Soap Dish Panels:
1. Swanstone Compression Molded Fixtures;
 2. Model Number _____.
 3. Color: _____.
 4. Color: Indicated on drawings.
 5. Color: Selected from manufacturer's range of available colors.

available colors.

Q. Table Tops:

1. Swanstone Solid Surfacing Material:
2. Type: Table Top Model _____.
3. Size: _____ inches by _____ inches.
4. Color: _____.
5. Color: Indicated on drawings.
6. Color: Selected from manufacturer's range of available colors.

ACCESSORIES

- A. Supply materials for installation of products as specified in manufacturer's printed installation instructions including color matched silicon sealant and adhesives where applicable.

FABRICATION

- A. Fabricate components in shop to the greatest extent practical to sizes and shapes indicated, in accordance with approved shop drawings.
- B. Form joints between components using manufacturer's standard joint adhesive. Joints shall be inconspicuous in appearance and without voids.
- C. Provide holes and cutouts for plumbing and bath accessories as indicated on the drawings.
- D. Rout and finish component edges to a smooth, uniform finish.
- E. All surfaces shall have a uniform finish.

- D. Adhere topmount sinks/bowls to countertops using manufacturer's recommended adhesive and color matched silicone sealant.
- E. Provide backsplashes and endsplashes as indicated on the drawings. Adhere to countertop using manufacturer's standard color matched silicone sealant.
- F. Remove adhesives, sealants and other stains upon completion of installation per manufactures written instructions.
- G. Protect surfaces from damage until project completion.
- H. Fabricator/Installer is to review "Care and Maintenance Procedures" including repair and cleaning instructions with the Owner upon completion of project.

PART 3 – EXECUTION

3.1 PREPARATION

- A. Preparation and Fabrication: Precondition surfacing materials and surfaces to receive surfacing materials in accordance with manufacturer's printed instructions. Fabrication of seams and fixture mounting in accordance with factory fabrication manual. Work to be performed by factory trained specialists.

3.2 INSTALLATION

- A. Install components plumb and level in accordance with approved shop drawings and manufacturer's printed installation instructions.
- B. Form field joints using manufacturers recommended adhesive, with joints inconspicuous in finished work.
- C. Adhere undermount sinks/bowls to countertop using manufacturers recommended adhesive and mounting hardware.





VERITEK® PRODUCTS SPECIFICATION AND TECHNICAL DATA

Product

Veritek compression molded products

Manufacturer

Swan is headquartered in St. Louis, Missouri with manufacturing in Centralia, Illinois.

Product Composition

Veritek is a compression molded material with no surface coating to chip or crack. It's a non-porous material that will not mold or mildew.

Product Category

Veritek is available in bathtubs, bath and shower walls, shower floors, and utility sinks and basins.

Colors

Veritek is available in a variety of solid colors and aggregate patterns.

Solids: White, Bisque, Bone, Bright White, Pearl
Aggregate: Tahiti Desert, Bermuda Desert, Gray Granite

Warranties

Veritek wall panels, bathtubs, and shower floors are covered by a limited lifetime warranty for residential applications. Veritek utility sinks and basins are covered by a limited 1 year warranty for residential applications.

For commercial applications, Swan offers the following warranties:
five year Limited Warranty on bathtubs, bath and shower walls, and shower floors. One year Limited Warranty on utility sinks and basins. Complete details on these warranties are available on our website: www.swanstone.com.

Maintenance

The Veritek finish is stain and abrasion resistant; however, the finish requires reasonable care. Clean regularly with common household liquid cleaners and a sponge or soft cloth.

For hard water stains, scale removers can be used. To protect finish, fiberglass wax or automotive paste wax can be applied. Do not use abrasive cleaners or scouring pads. Do not use "leave on" cleaning products, such as automatic spray shower cleaners. Prolonged contact with harsh chemicals could have an adverse reaction over time and discolor surfaces. Do not use cleaning agents that caution use on acrylic, polyester or plastics.

Limitations

Veritek products are not recommended for exterior use. Follow all recommended installation procedures provided by the manufacturer.

Finish

Natural-gloss

Cost

Cost varies with product category. Contact your local distributor for applicable costs.

Installation

Veritek products are shipped with complete installation manuals provided with every unit. Consult the specific product installation manual for step-by-step installation procedures. All manuals are available through Swan or your local distributor.

| Property | Typical Result | Test |
|-------------------------------------|---|---------------|
| Impact Resistance on wall surrounds | No cracks (10 lbs dropped 48" on unit) | ANSI-Z124.1.2 |
| Loads on Wall Surrounds | No cracks 25 lbs. for one minute repeated at 2 minute intervals | ANSI-Z124.1.2 |
| Izod Impact | | ASTM D256 |
| Method A (with notch) | | |
| Method E (rev. notch) | Passes | ANSI-Z124.1.2 |
| Stain Resistance | Passes | ANSI-Z124.1.2 |
| Cigarette Resistance | Passes | ANSI-Z124.1.2 |
| Boiling Water Resistance | Passes | ANSI-Z124.1.2 |
| Chemical Resistance | | NEMA LD3 |
| High Temperature Resistance | Passes | ASTM D2565 |
| Color Fastness Test | | ASTM D3-3.08 |
| Thermal Conductivity | | ASTM 638 |
| Tensile Strength | | ASTM D-638 |
| Tensile Modules | | ASTM D-638 |
| Elongation | | ASTM D-785 |
| Hardness | | ASTM G-22 |
| Bacterial Resistance | | ANSI-Z124.1.2 |
| Wear and Cleanability | Passes | ASTM D-790 |
| Flexural Strength | | ASTM D-638 |
| Flexural Modules | | ASTM D-696 |
| Thermal Expansion | | NEMA LD3 |
| Gloss (60°) | | ASTM D-570 |
| Water Absorption | | N/A |
| Specific Gravity | | N/A |
| FLAMMABILITY | | |
| Ignition Test | Passes | ANSI-Z124.1.2 |
| Flame Spread | Class I | ASTM E84 |

Technical Services

Please call (800) 325-7008 or email us at infomail@swanstone.com. Visit our website www.swanstone.com for details.

HIGH-GLOSS PRODUCTS SPECIFICATION AND TECHNICAL DATA

Product

Swan compression-molded products

Manufacturer

Swan is headquartered in St. Louis, Missouri with manufacturing facilities in Centralia, Illinois.

Product Composition

High-Gloss is a compression-molded material with a durable baked-on industrial coating with a very high shine. It is a non-porous material that will not mold or mildew.

Colors

High-Gloss is only available in solid colors.

Solids: White, Bisque, Bone

Warranties

High-Gloss tub and shower walls are covered by a limited lifetime warranty for residential applications. Swan offers a five year Limited Warranty on tub and shower walls for commercial applications. Complete details on these warranties are available on our website, swanstone.com.

Maintenance

The High-Gloss finish is stain and abrasion resistant. The finish, however, requires reasonable care. Clean regularly with common household liquid cleaners and a sponge or soft cloth. Do not use abrasive cleaners or scouring pads. Do not use "leave on" cleaning products, such as automatic spray shower cleaners. Prolonged contact with harsh chemicals could have an adverse reaction over time and discolor surfaces.

Application

High-Gloss is appropriate for any interior bath and shower wall application.

Limitations

High-Gloss products are not recommended for exterior use. Follow all recommended installation procedures provided by the manufacturer.

Finish

The High-Gloss finish is a baked-on industrial coating with a very high shine (gloss reading of 85). To maintain the high shine, abrasive cleansers should not be used with these products.

Price

Price varies with product category. Contact your local distributor for applicable prices.

Installation

Swan High-Gloss products are shipped with complete installation manuals provided with every unit. Consult the specific product installation manual for step-by-step installation procedures. All manuals are available at our website, swanstone.com, or through Swan or your local distributor.

| Property | Typical Result | Test |
|--|--|---------------|
| Impact Resistance | No cracks (10 lbs. dropped 4' on unit) | ANSI-Z124.1.2 |
| Loads Test ANSI-Z124.1.2 | No cracks 25 lbs. for 1 minute repeated at 2 minute intervals | |
| Izod Impact | Method A Impact Strength 1.6 Ft/LB/In Method E Impact Strength 2.1 Ft/LB/In | ASTM D256 |
| Stain Resistance | Passes | ANSI-Z124.1.2 |
| Cigarette Resistance | Passes | ANSI-Z124.1.2 |
| Boiling Water Resistance | Passes | ANSI-Z124.1.2 |
| Chemical Resistance | Passes | ANSI-Z124.1.2 |
| Colorfastness Test | No significant change in color or surface texture after exposure | ASTM D2565 |
| Wear and Cleanability ANSI-Z124.1.2 | Passes | |

Technical Services

Please call (800) 325-7008 or email us at infomail@swanstone.com. Visit our website www.swanstone.com for more information.

| | | | | |
|------------------------------------|------------------------------------|-----------------------------------|--------------------------|---------------------------------|
| Alcove Walls 72 | KSSB-3322 143 | Sinks | TC-0404TR 61 | Swanstone |
| <i>Shower</i> | KSTB-4422 142 | MS-2424 166 | TC-4105TR 61 | CCSO-1272 46 |
| SA-3232 73 | | MS-2436 167 | TC-6072TR 61 | CCSO-1296 46 |
| SA-3236 73 | Undermount | | TK-105 60 | CCSP-3672-1 45 |
| SA-3448 73 | <i>Stainless Steel</i> | Shower Floors 86 | TK-105-TP 60 | CCSP-3696-1 45 |
| SA-38 NEO 72 | USS16-1631SB . . . 154 | <i>Swanstone</i> | TK-0372 60 | CCSP-4896-1 45 |
| <i>Tub</i> | USS18-1631SB . . . 154 | SR-3260 L/R 88 | TK-6072 60 | SS-3672-1 40 |
| BA-3060 74 | USS16-1631DB . . . 155 | SS-34SK 100 | | SS-3672-2 41 |
| | USS18-1631DB . . . 155 | SS-36DTF 89 | Decorative Panels | SS-3672-3 42 |
| Bathtub Deck 63 | Undermount Swanstone | SS-36NEO 89 | DWP-3696BA-1 52 | SS-3696-1 40 |
| BD-4896 63 | US-1210 153 | SS-38NEO 89 | DWP-3696BB-1 52 | SS-3696-2 41 |
| Bathtubs 75 | US-1711 151 | SS-3232 86 | DWP-3696GO-1 52 | SS-4896-1 40 |
| BT-3060 L/R 75 | US-2021 150 | SS-3248 86 | DWP-3696PB-1 52 | SS-4896-2 41 |
| Kitchen Sinks 118 | US-2215 149 | SS-3260 86 | DWP-3696TN-1 52 | SS-6060-1 39 |
| <i>Accessories</i> | US-3015 148 | SS-3442 86 | DWP-9636WB-1 52 | SS-6072-1 40 |
| BR-DB 156 | USRB-18 152 | SS-3448 86 | | SS-6296-1 40 |
| BR-LBTB 156 | Laundry Tubs 157 | SS-3454 87 | High-Gloss | SSSQ-3696-1 44 |
| BR-LS 156 | <i>Accessories</i> | SS-3460 87 | SW-7032 76 | SSSQ-6296-1 44 |
| BS-CB 156 | LP-MF/SF-6PK . . . 158 | SS-3636 87 | SW-7036 77 | SSST-3696-1 43 |
| CB-22 156 | LPPF-MF/SF-6PK . . 158 | SS-4236 87 | SW-7060 78 | SSST-6296-1 43 |
| CB-33 156 | WM-MF1/SF-6PK . . 158 | SS-4242 87 | SW-NEO-DTF 80 | |
| CB-44 156 | WM-MF4-6PK . . . 160 | Veritek | | SwanTile |
| CB-LB 156 | | FR-3260 L/R 93 | Kits | TI-7236 64 |
| DG-44 156 | Drop-In | R-34SK 100 | BK-326072 9 | TI-7248 65 |
| QZ-22 156 | DIT 162 | R-36 DTF 95 | CCSK72-3636 35 | TI-7260 66 |
| WB-22 156 | DIT-S 163 | R-36NEO 96 | CCSK72-3648 36 | TI-NEO-DTF 67 |
| WB-DB 156 | | R-38NEO 96 | CCSK96-3636 37 | |
| WB-LB 156 | Floor Standing | R-3232 94 | CCSK96-3648 38 | Wainscoting |
| | MF-1F 158 | R-3248 94 | DK-324872 48 | DWP-9636WB 58 |
| Granite | MF-2F 159 | R-3260 94 | DK-326072 50 | ECPM-96 58 |
| QUAD-3322 135 | MF-4F 160 | R-3442 94 | DK-344872 49 | ICPM-96 58 |
| QUDB-3322 129 | PT-1 165 | R-3448 94 | DK-346072 51 | OCPM-96 58 |
| QUED-3322 130 | SF-1F 164 | R-3454 94 | DK-363672 47 | SS-3696-SK 58 |
| QULD-3322 131 | ST-1F 161 | R-3460 94 | MK72-3648 10 | SS-4896-SK 58 |
| QULS-3322 132 | | R-3636 94 | MK96-3648 11 | SS-30145-SK 58 |
| QURC-3322 133 | Wall Mounted | R-4236 94 | MK96-3662 12 | |
| QUSB-2522 137 | MF-1W 158 | R-4242 94 | MK96-4848 13 | Table Tops 169 |
| QUSB-3322 136 | MF-2W 159 | Shower Walls 4 | MK96-48NEO 14 | <i>Accessories</i> |
| QUSQ-3322 134 | MF-4W 160 | <i>Accessories</i> | SK-324872 5 | TL-18 174 |
| QZAD-3322 124 | SF-1W 164 | AS-1075 59 | SK-326072 7 | TL-22 174 |
| QZBS-1816 126 | ST-1W 161 | CCSS-1125 59 | SK-344872 6 | TL-30 174 |
| QZDB-3322 118 | Materials Guide 2 | CM-2072 60 | SK-346072 8 | |
| QZDM-1816 138 | Mop Service Sinks . . 166 | CM-2096 60 | SK-363672 4 | Rectangular |
| QZED-3322 119 | <i>Accessories</i> | CS-1616 59 | STMK72-3636 15 | TT-2024 171 |
| QZES-3011 127 | MS-1224 WG-1 . . . 168 | DSP-2 60 | STMK72-3648 16 | TT-2124 171 |
| QZLD-3322 120 | MS-1224 WG-2 . . . 168 | ES-2 59 | STMK72-3662 17 | TT-2424 171 |
| QZLS-3322 121 | MS-1236 WG-1 . . . 168 | RS-2215 59 | STMK72-4848 18 | TT-2430 171 |
| QZRC-3322 122 | MS-1236 WG-2 . . . 168 | SB-1248 62 | STMK72-48NEO 19 | TT-2442 171 |
| QZSB-2522 128 | MS-2403 168 | SD-36NEO 85 | STMK96-3636 20 | |
| QZSB-3322 125 | MS-2405 168 | SD-36NEO-C 85 | STMK96-3662 22 | Square |
| QZSQ-3322 123 | MS-2408 168 | SD-38NEO 85 | STMK96-4848 23 | TT-3030 172 |
| | MS-2410 168 | SD-38NEO-C 85 | STMK96-48NEO 24 | TT-3636 172 |
| Swanstone | MS-2411 168 | SD-A38NEO 85 | SQMK72-3636 25 | TT-4242 172 |
| BS-1515 147 | MS-2412 168 | SD-A38NEO-C 85 | SQMK72-3648 26 | |
| KSDB-2518 144 | MS-2413 168 | SD-DTF 85 | SQMK72-3662 27 | Round |
| KSDB-3322 139 | MS-2437 168 | SD-DTF-C 85 | SQMK72-4848 28 | RT-24 170 |
| KSLB-3322 140 | MS-2480 168 | SSWTK-1 60 | SQMK72-48NEO 29 | RT-30 170 |
| KSLB-3322 140 | | SS-29 60 | SQMK96-3636 30 | RT-36 170 |
| KSLB-3322 141 | | SS-72 60 | SQMK96-3648 31 | RT-42 170 |
| KSRB-18 145 | | SS-7211 59 | SQMK96-3662 32 | RT-48 170 |
| KSSB-2522 146 | | TC-105TR 61 | SQMK96-4848 33 | |
| | | | SQMK96-48NEO 34 | |

(continued on next page)

(continued)

| | | | |
|-------------------------------------|--------------------------------------|----------------------------------|------------------------|
| Wall-Mount | Universal Design 90 | Undermount | |
| TB-2430 173 | Accessories | UC-1913 114 | CV-2243 105 |
| TB-2442 173 | BF-2300R/L 101 | UL-1613 113 | CV-2249 105 |
| | BF-2448 101 | UL-1913 113 | EV1B2225 104 |
| Technical Data 175 | BF-5024 101 | | EV1B2231 104 |
| | BF-5048 101 | Vanity Tops 104 | EV1B2237 104 |
| Tub Walls 53 | BF-5072 101 | Accessories | EV1B2243 104 |
| Accessories | BF-6000 101 | CHVTSS 115 | EV1B2249 104 |
| WK-1001 85 | BF-FT 101 | EVTSS 115 | EV1B2255 104 |
| WK-1009 85 | GB-0014 101 | VT18-3SS 115 | EV1B2261 104 |
| WTK-1 85 | GB-1432 101 | VT19-SS 115 | VT1B1719 108 |
| | VTS-50ADA 115 | VT21-3SS 115 | VT1B1925 108 |
| | VTS-74ADA 115 | VT22SA 115 | VT1B1931 108 |
| Swan High Gloss | | VT22-SS 115 | VT1B1937 108 |
| HA-58 83 | Swanstone | VT37FA 115 | VT1B2225 109 |
| RM-58 81 | BF-1260 90 | VT55FA 115 | VT1B2231 109 |
| TW-32 82 | SBF-3060 L/R 90 | VT1B2261FA 115 | VT1B2237 109 |
| WW-6000 84 | SBF-3464 91 | VTS-50ADA 115 | VT1B2243 109 |
| | ULAD-1913 114 | VTS-74ADA 115 | VT1B2249 109 |
| Swanstone | STS-3738 92 | | VT1B2255 109 |
| SS-60-3 55 | | Tops | VT1B2261 109 |
| SS-60-5 56 | Veritek | CH1B2225 106 | VT2B2261 110 |
| SS-72-3 54 | FBF-1260 97 | CH1B2231 106 | |
| SSIT-60-3 53 | FBF-3060L/R 97 | CH1B2237 106 | |
| SSWP-4872 57 | FBF-3464 98 | CH1B2243 106 | |
| | FTS-3738 99 | CH1B2249 106 | |
| Veritek | SWAD-7038 79 | CH1B2255 106 | |
| GN-58 68 | | CH1B2261 106 | |
| TF-57 69 | Vanity Bowls 111 | CH2B2261 107 | |
| TI-3 70 | Swanstone | CH2B2273 107 | |
| TI-5 71 | TRI-1815HL 112 | CV-2225 105 | |
| TI-33 70 | TRI-1815IS 112 | CV-2231 105 | |
| TI-55 71 | WB-2218 111 | CV-2237 105 | |



LIMITED WARRANTY FOR RESIDENTIAL APPLICATIONS

If a Swanstone product covered by this warranty is found to be defective in materials or workmanship, after inspection by an authorized Swan representative, we will repair, or at our option, exchange the product for a similar model. This warranty extends for a designated period of time, so long as it remains in use in its original place of installation.

This warranty covers only products installed in accordance with Swan's installation instructions, used as recommended, and not damaged due to misuse, abuse or improper installation. Gloss reduction and scratching of the finish over time due to use, cleaning practices or water or atmospheric conditions are not manufacturing defects but are indicative of normal wear and tear. It does not apply to any seams or changes made to the product by professional tradesmen or fabricators.

The warranty applies only to the original purchaser and installation of these products in residential applications. It does not apply to commercial applications.

Swan's option to repair or exchange products under this warranty does not cover any labor or other costs of removal or installations, nor shall Swan be responsible for any other incidental or consequential damages attributable to a product defect or to the repair or exchange of a defective product.

Limited Lifetime Warranty

- SWANSTONE KITCHEN SINKS
GRANITE KITCHEN SINKS
STAINLESS STEEL KITCHEN SINKS
SWANSTONE VANITY TOPS AND BOWLS
SWANSTONE WALL PANELS, TRIM KITS & ACCESSORIES
SWANSTONE SHOWER FLOORS
SWANSTONE WAINSCOTING
VERITEK TUB AND SHOWER WALLS
VERITEK SHOWER FLOORS
VERITEK BATHTUBS
VERITEK ALCOVE WALLS
HIGH-GLOSS TUB AND SHOWER WALLS
SWANSTONE TABLE TOPS
SWANSTONE VANITY TOP BLANKS

10-Year Limited Warranty

- SWANSTONE COUNTERTOPS

1-Year Limited Warranty

- LAUNDRY TUBS AND MOP SINKS

LIMITED WARRANTY FOR COMMERCIAL APPLICATIONS

If a Swanstone product covered by this warranty is found to be defective in materials or workmanship, after inspection by an authorized Swan representative, we will repair, or at our option, exchange the product for a similar model. This warranty extends for a designated period of time, so long as it remains in use in its original place of installation.

This warranty covers only products installed in accordance with Swan's installation instructions, used as recommended, and not damaged due to misuse, abuse or improper installation. Gloss reduction and scratching of the finish over time due to use, cleaning practices or water or atmospheric conditions are not manufacturing defects but are indicative of normal wear and tear. It does not apply to any seams or changes made to the product by professional tradesmen or fabricators.

The warranty applies only to the original purchaser and installation of these products in commercial applications.

Swan's option to repair or exchange products under this warranty does not cover any labor or other costs of removal or installations, nor shall Swan be responsible for any other incidental or consequential damages attributable to a product defect or to the repair or exchange of a defective product.

25-Year Limited Warranty

- SWANSTONE VANITY TOPS AND BOWLS
SWANSTONE TUB AND SHOWER WALL PANELS, TRIM KITS AND ACCESSORIES
SWANSTONE WAINSCOTING
SWANSTONE VANITY TOP BLANKS

10-Year Limited Warranty

- SWANSTONE KITCHEN SINKS
GRANITE KITCHEN SINKS
STAINLESS STEEL KITCHEN SINKS
SWANSTONE SHOWER FLOORS
SWANSTONE TABLE TOPS
SWANSTONE COUNTERTOPS

5-Year Limited Warranty

- VERITEK TUB AND SHOWER WALLS
VERITEK SHOWER FLOORS
VERITEK BATHTUBS
VERITEK ALCOVE WALLS
HIGH-GLOSS TUB AND SHOWER WALLS


1-Year Limited Warranty

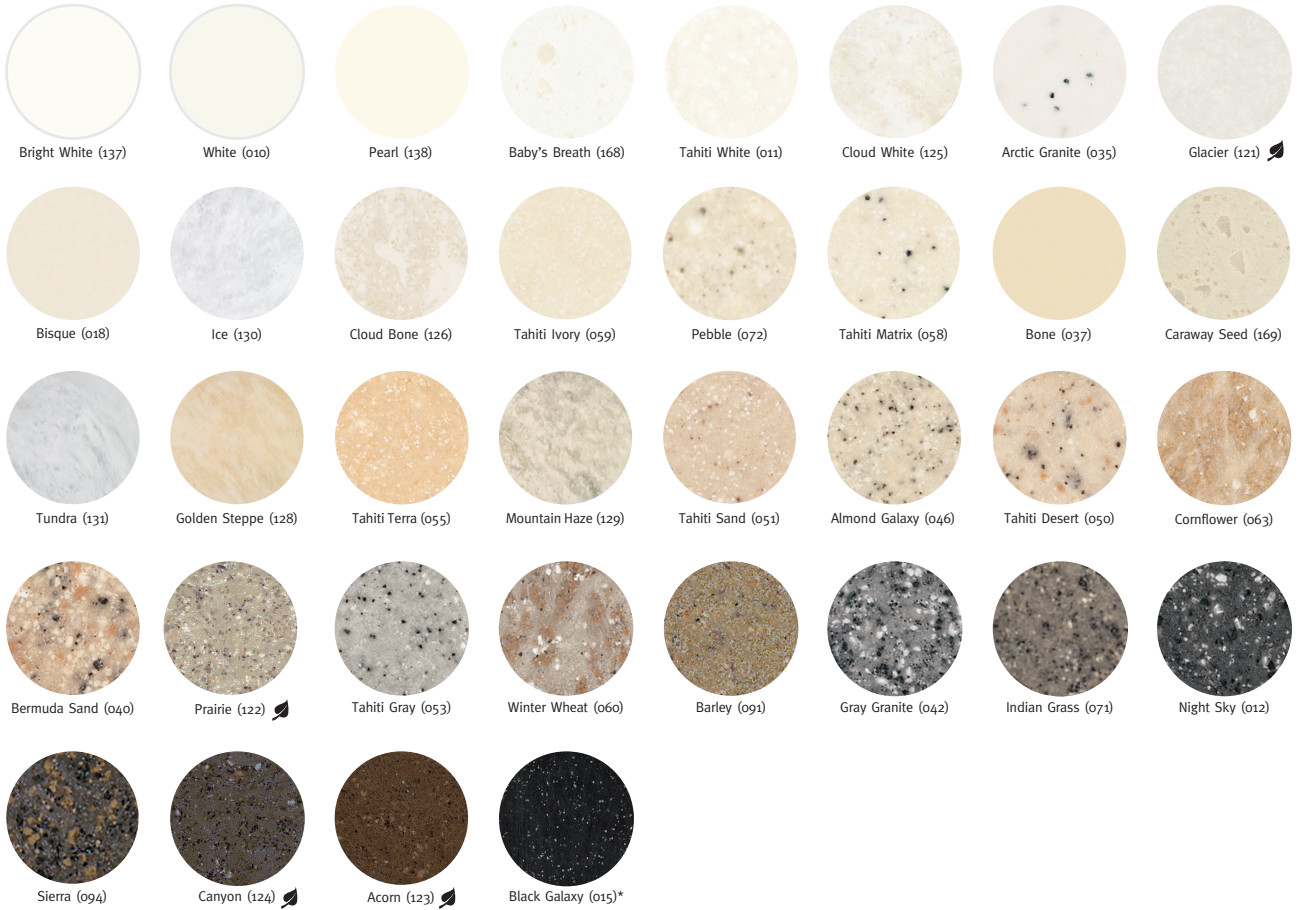
- LAUNDRY TUBS AND MOP SINKS



Swanstone Colors

Not all products available in all colors. Color representation not exact. Please view actual product or color sample.

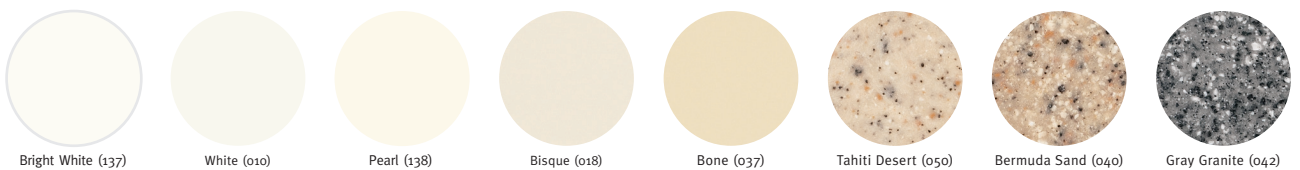
 - Indicates materials that are recycled and eco-friendly.
*Available for kitchen sinks only.



Crystal Colors



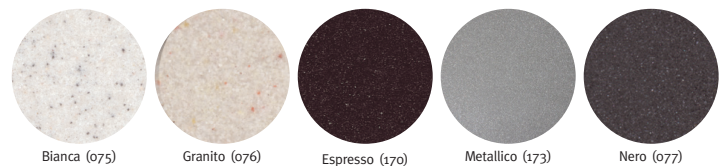
Veritek® Colors

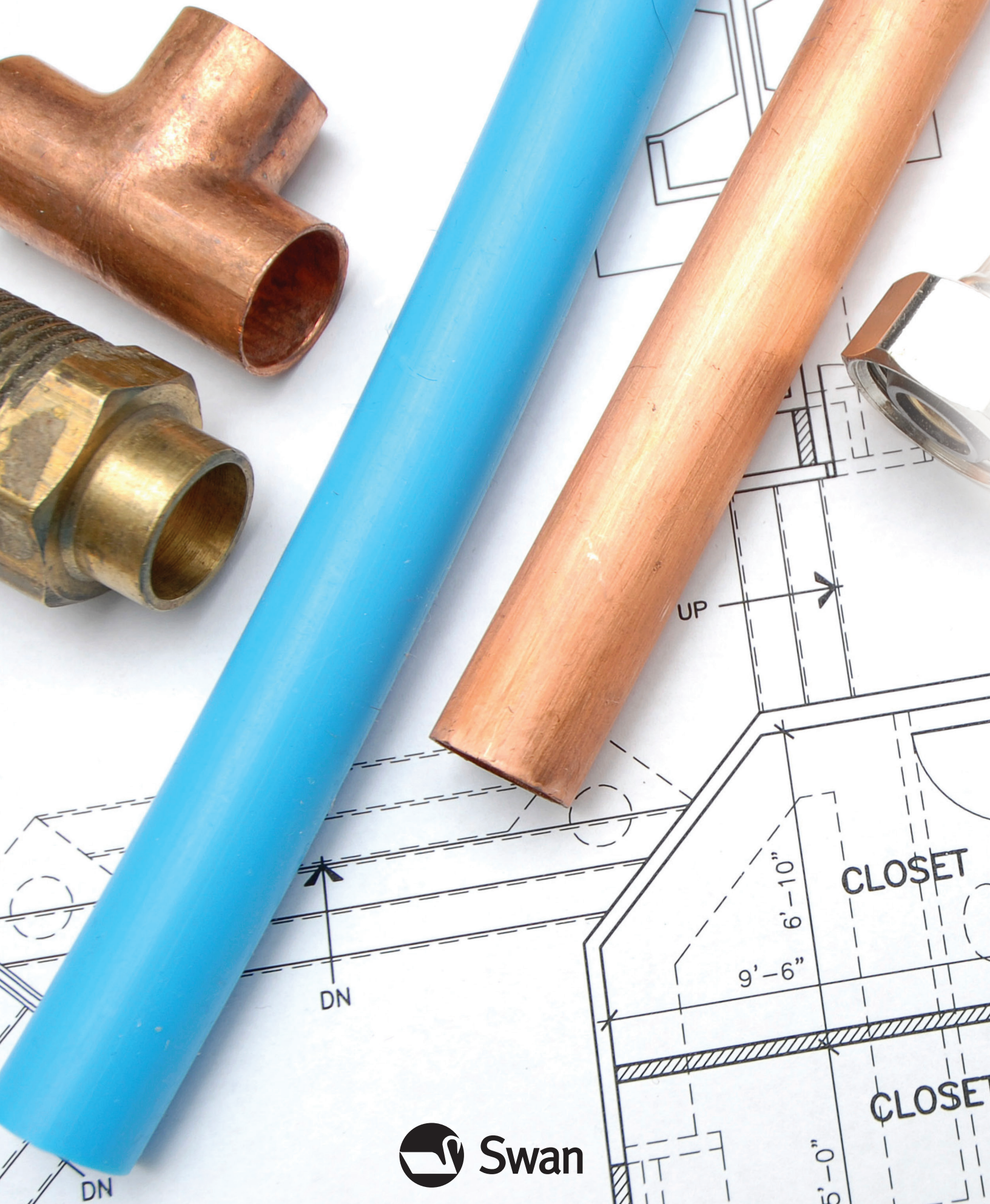


Swan High-Gloss Colors



Granite Colors





UP

DN

CLOSET

9'-6"

6'-10"

CLOSET

5'-0"

