

Fan Coil Units YGFC



Contents & Introduction

CONTENTS

Introduction	2	Technical specifications	12-15
Features & benefits.....	3	Performance ratings	16-32
Nomenclature	4	Sound data.....	33-36
Compatibility information	5	Operation & controls	37-39
Exploded view & construction details.....	6,7	Guide specifications.....	40
Installation outlook.....	8	Certifications.....	41,42
Dimensional details.....	9-11		

INTRODUCTION

YGFC Series Fan Coil units from Johnson Controls are designed specially to meet the varied requirements of zone cooling or heating using Chilled Water or Hot Water.

Fan Coils can be applied to two or four pipe systems to satisfy the requirements of a wide variety of air conditioning or heating application. The YGFC is available in both concealed and exposed versions for ceiling and floor mounted installation. They offer effective zone control and are especially suitable for use in apartments, hotels, shopping centers, office buildings and hospitals etc.

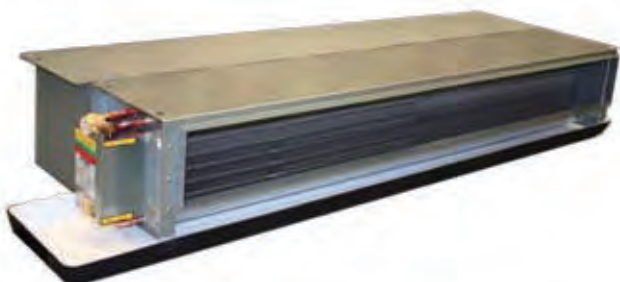
YGFC fan coil units are available in ten sizes with airflow capacity ranging from 110 to 2700 m³/h. The ceiling concealed unit is suitable for external static pressures of up to 60 Pa. The cooling or heating performance of a fan coil can vary greatly with changes in air inlet temperature and humidity. It also varies with the amount of water being circulated in the coil. The water flow rate through each unit is determined by the specification of the system that governs the difference between the inlet and outlet water temperature.

District Cooling systems traditionally require a 9°C difference between the inlet and outlet temperatures at maximum load conditions, to conserve the pumping power and increase overall system efficiency. The YGFC has a version that meets this requirement.

To facilitate selection of the correct size of a fan coil for various inlet air dry bulb and wet bulb temperatures, as well as various inlet water temperatures and temperature rise or flow rates, a dedicated computer selection software is available. The manufacturing facility has a test lab that allows verification of the thermal capacities given by the software under the specified conditions.

Johnson Controls York YGFC fan coil units are available in four configurations:

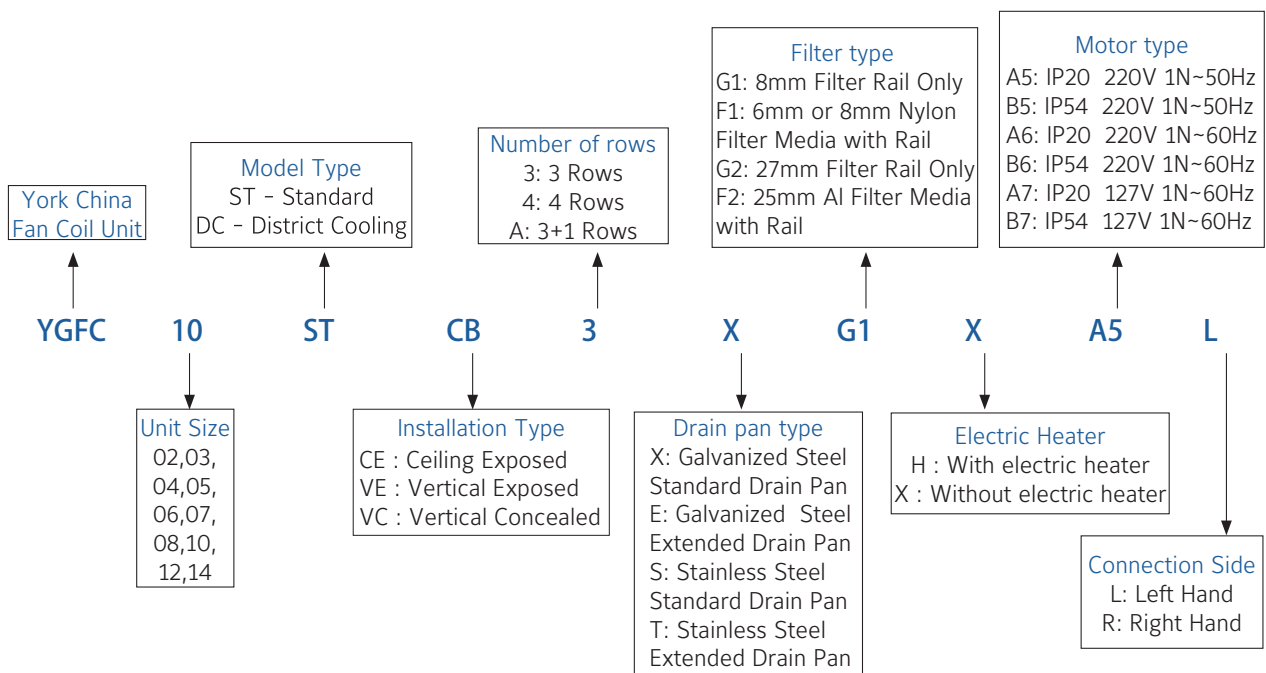
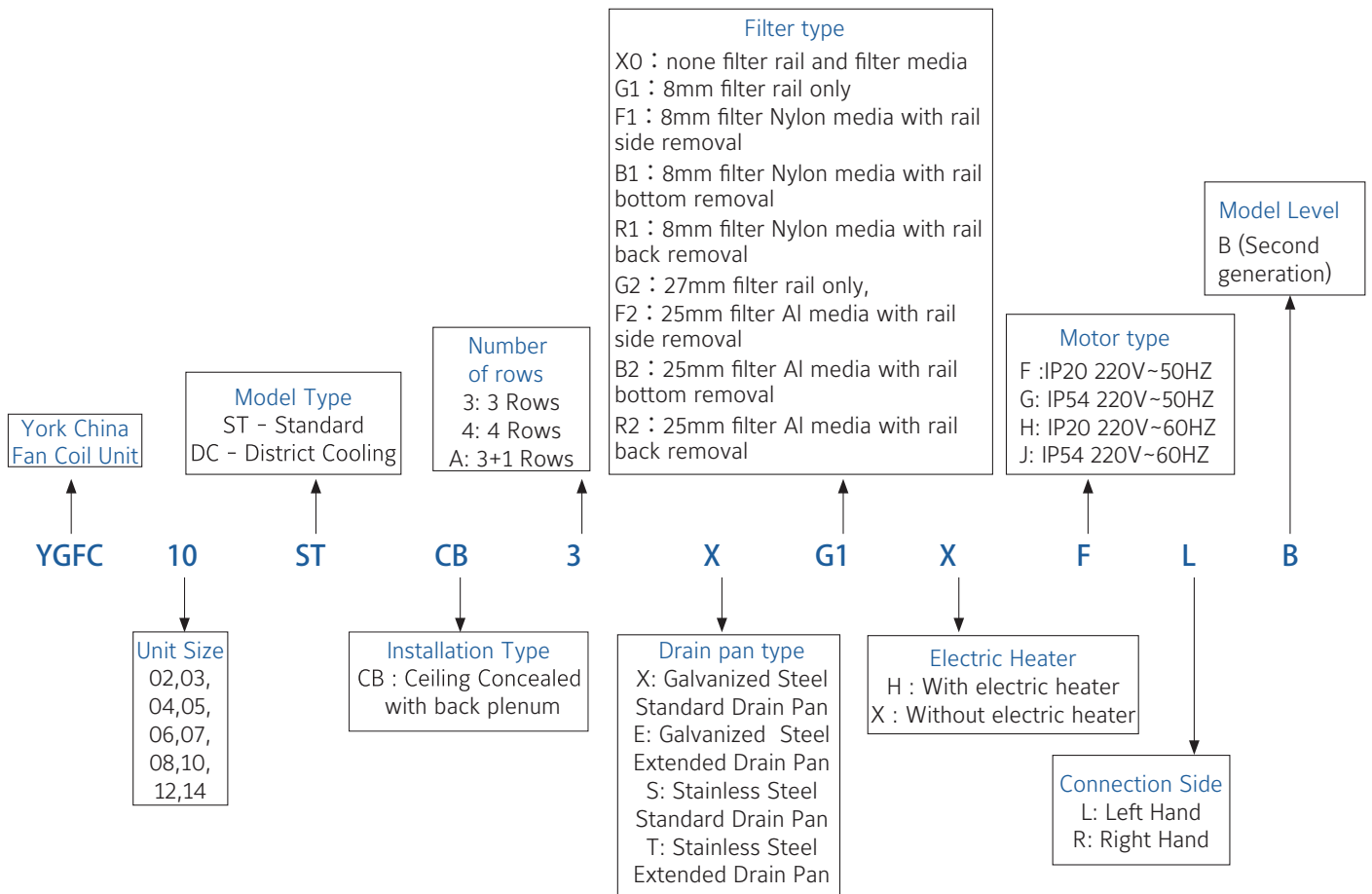
- CB - Ceiling with Back Plenum
- VC - Vertical Concealed
- VE - Vertical Exposed
- CE - Ceiling Exposed.



Features & Benefits

Low noise level	Units have 3 fan speeds and operate very silently. Sound Data of the units at all three speeds is available.	Whisper quiet comfort condition results in satisfied occupants.
Wide range of air flows	Ten different sizes with 3 and 4 row coils to closely match load requirement and provide dehumidification.	Better control over comfort conditions results in satisfied occupants.
Compact size & low height	Height of ceiling unit is restricted to 233 mm for concealed unit and 262 mm for exposed unit.	Higher Ceiling heights result in optimum comfort to occupants.
Superior air distribution	Four different configurations allow designers to provide cooling in all areas with minimum duct work.	Higher Ceiling heights result in optimum comfort to occupants.
Easy of installation	Threaded Brass connector is provided for easy piping connection. Drain and purge valves are provided on all units to assist in commissioning.	Reduces installation and commissioning time and cost.
Easy maintenance	Filters on the Concealed Units can be removed from any direction. Exposed units have filters that slide out. The Motor-Blower assembly can be easily removed for servicing at different location. Cooling coil is accessible.	Filters can be cleaned frequently resulting in healthier comfort conditions. Lowers maintenance cost.
Safety	Motors are internally protected with UL recognized components. CE marked unit available as an option	May qualify for lower insurance premium Valid for sale in EU Countries with this option.

NOMENCLATURE



Product Details

COMPATIBILITY INFORMATION

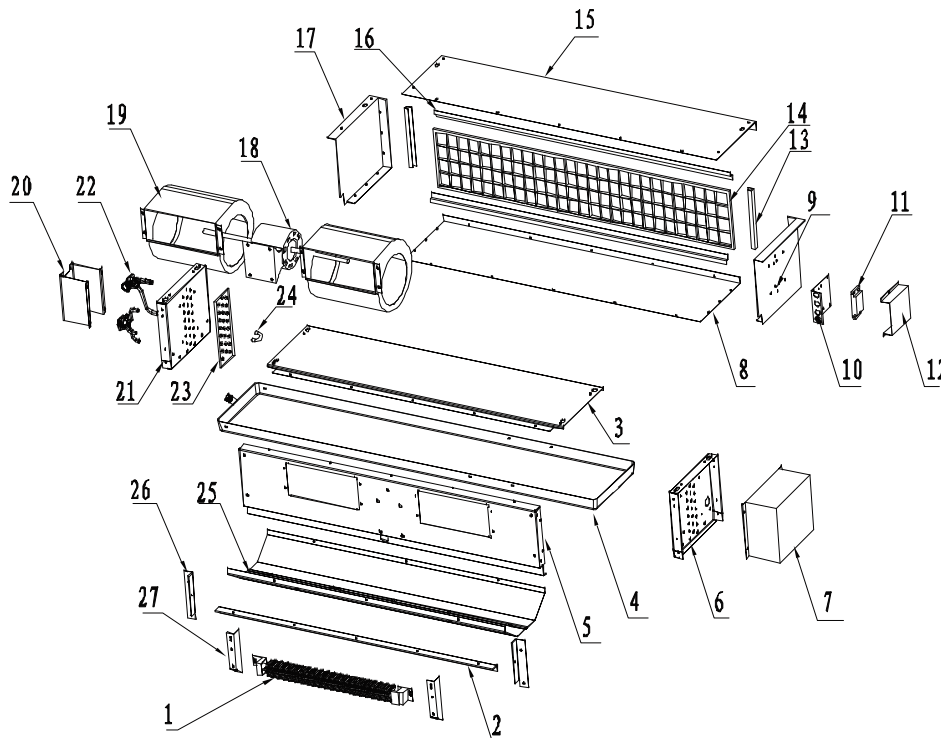
				CB	VC	CE	VE
General	Coils	Standard Cooling Coil [Digit - 3]		●	●	●	●
		District Cooling Coil [Digit - 3]		●	●	●	●
Cooling + Heating Coil [Digit - 3]			●	●	●	●	
	Motor Protection	IP 20 - 50 Hz. [Digit - 7]		●	●	●	●
		IP 20 - 60 Hz. [Digit - 7]		●	●	●	●
Options	Drain Pan	Standard Drain Pan [Digit - 6]		●	●	●	●
		Extended Drain Pan [Digit - 6]		▲			
	Motor Protection	IP 54 - 50 Hz. [Digit - 7]		▲	▲	▲	▲
		IP 54 - 60 Hz. [Digit - 7]		▲	▲	▲	▲
Filters & Rails	8mm Base Rail [Digit - 8]		●				
	6mm or 8mm Nylon Filter [Digit - 8]		▲	●	●	●	
	25 mm Aluminium Filter [Digit - 8]		▲				
	27mm Base Rail For Filter [Digit - 8]		▲				
Special Requests	Fin Protection	Blue Fin [SQ - 1]		●	●	●	●
		Gold Fin [SQ - 1]		●	●	●	●
		Copper Fin [SQ - 1]		●	●	●	●
	Plenum Insulation	6mm Plenum Insulation [SQ - 2]		●			
	Drain Pan Insulation	6mm Armflex Insulation Class 0 [SQ - 3]		●	●	●	●
	Motor Protection	IP 23 - 50 Hz [SQ - 4]		●	●	●	●
		IP 23 - 60 Hz [SQ - 4]		●	●	●	●
		IP 42 - 50 Hz [SQ - 4]		●	●	●	●
		IP 42 - 60 Hz [SQ - 4]		●	●	●	●
	Power Supply	127 V / 1 Ph. / 60 Hz. [SQ - 5]			●	●	●
Heater & Terminal Box	Heater [SQ - 6]		●				
	Extra Terminal Box [SQ - 6A]		●				
Powder Coating	Powder Coating For Casing [SQ - 7]		●	●			
Drain Pan	Stainless Steel Drain Pan [SQ - 8]		●	●	●	●	
	Extended Stainless Steel Drain Pan [SQ - 8]		●				

Legend : ● Standard ● Other Construction ▲ Option ● Special Request

Product Details

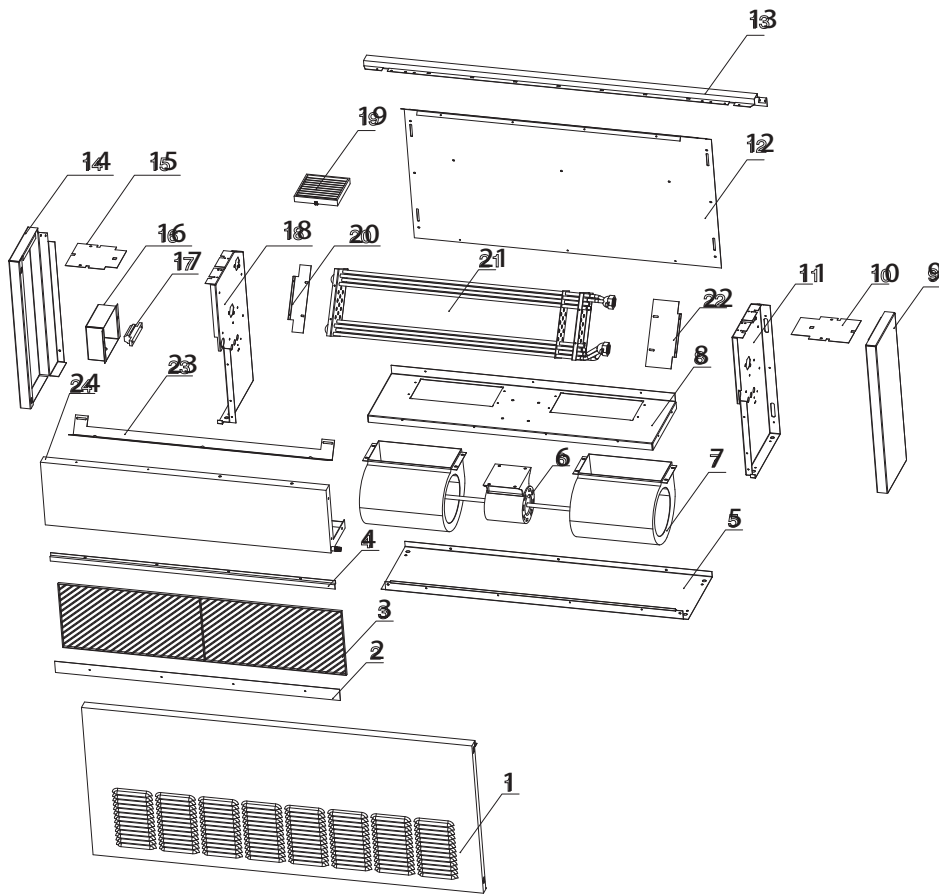
EXPLODED VIEW & CONSTRUCTION DETAILS

CB RANGE



No.	Component	Available as	Material & Specification	Insulation Material
1	Electric Heater	▲		---
2	Bottom Flange	●	Galvanized Steel	---
3	Top Panel	●	Galvanized Steel	10mm Fiberglass
4	Drain Pan	●	Cold-Rolled Steel	6mm Armflex (class 1)
5	Fan Deck	●	Galvanized Steel	---
6	End Sheet of Coil (Right)	●	Galvanized Steel	---
7	Cover for Terminal Box	●	Galvanized Steel	---
8	Bottom / Back Panel of Plenum	●	Galvanized Steel	6mm PE (Option)
9	Side Panel of Plenum (Right)	●	Galvanized Steel	6mm PE (Option)
10	Support Plate for Terminals	●	Galvanized Steel	---
11	Motor Terminals	●	SUPU 241	---
12	Motor Terminal Cover	●	Galvanized Steel	---
13	Side Flange (Right)	●	Galvanized Steel	---
14	Filter Rail	●	Galvanized Steel	---
	Filter	▲	8 mm Nylon filter or 25 Aluminium filter	---
15	Top Panel of Plenum	●	Galvanized Steel	6mm PE (Option)
16	Top Flange of Plenum	●	Galvanized Steel	---
17	Side Panel of Plenum (Left)	●	Galvanized Steel	6mm PE (Option)
18	Motor	●	220v / 1 Ph. / 50 Hz.	IP 20
19	Fan Assembly	●	Impeller : Galvanized Steel; Casing : Galvanized Steel	---
20	Manifold Support	●	Galvanized Steel	---
21	End Sheet of Coil (left)	●	Galvanized Steel	---
22	Casting Brass Header Out	●	Brass	---
23	Tube Sheet	●	Ø 7.0 x 0.25 for CB type / (Ø 9.52 x 0.33 for CE/VE/VC types)	---
24	U Bend	●	Ø 7.0 x 0.60 for CB type / (Ø 9.52 x 0.60 for CE/VE/VC types)	---
25	Bottom Panel	●	Galvanized Steel	---
26	Side Flange (Left)	●	Galvanized Steel	---
27	Support Panels for Electric Heater	●	Galvanized Steel	---

Legend : ● Standard ▲ Option ● Special Request

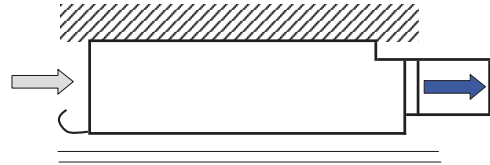
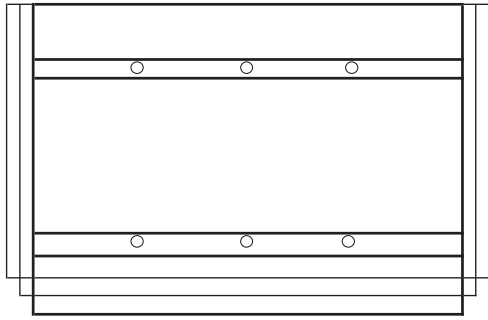


No.	Component	Available as	Material & Specification	Insulation Material
1	Front Panel	●	Galvanized Steel	Powder Coating
2	Air Inlet Bottom Slideway	●	Galvanized Steel	---
3	Filter	●	6mm Nylon Filter	---
4	Air Inlet Top Slideway	●	Galvanized Steel	---
5	Base Panel	●	Galvanized Steel	---
6	Electric Motor	●	220v / 1 Ph. / 50 Hz.	IP 20
7	Fan Assembly	●	Impeller: Galvanized Steel ; Casing: Galvanized Steel	---
8	Fan Deck Assembly	●	Galvanized Steel	6mm PE
9	Right Interior Panel	●	Galvanized Steel	Powder Coating
10	Wind Deflector A	●	Galvanized Steel	Powder Coating
11	Right Interior Panel	●	Galvanized Steel	6mm Armaflex
12	Back Panel	●	Galvanized Steel	6mm Armaflex + 15mm fibre glass
13	Back Beam	●	Galvanized Steel	Powder Coating
14	Left Exterior Panel	●	Galvanized Steel	Powder Coating
15	Wind Deflector B	●	Galvanized Steel	Powder Coating
16	Wiring Box	●	Galvanized Steel	---
17	Wiring Block	●	SUPU 241	---
18	Left Interior Panel	●	Galvanized Steel	6mm Armaflex
19	Plastic Grill	●	Poly Propylene	---
20	Supporting Plate A for Coil	●	Galvanized Steel	---
21	Coil Assembly	●	Copper / Aluminum & Tube Sheet	---
22	Supporting Plate B for Coil	●	Galvanized Steel	---
23	Fixing Plate for Coil	●	Galvanized Steel	---
24	Drain Pan	●	Galvanized Steel	6mm Armflex

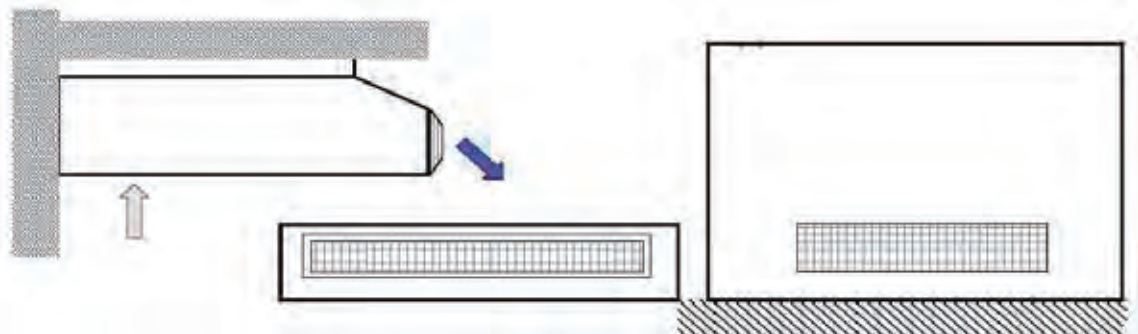
Legend : ● Standard

Product Details

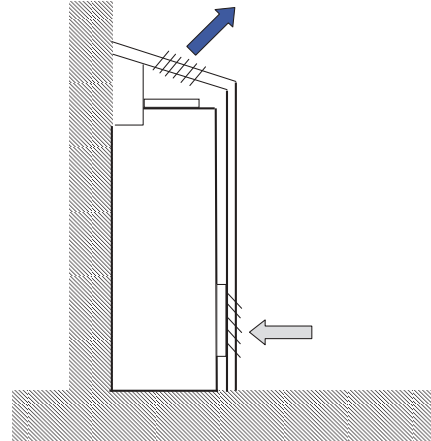
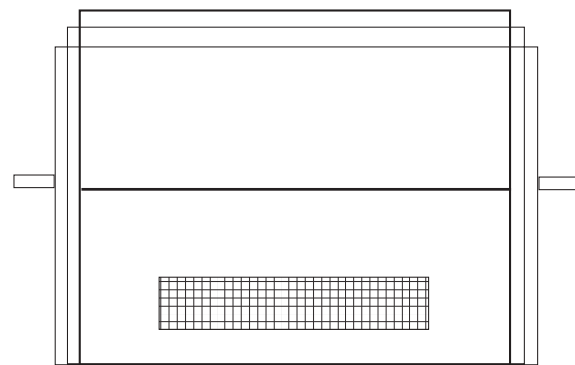
INSTALLATION OUTLOOK



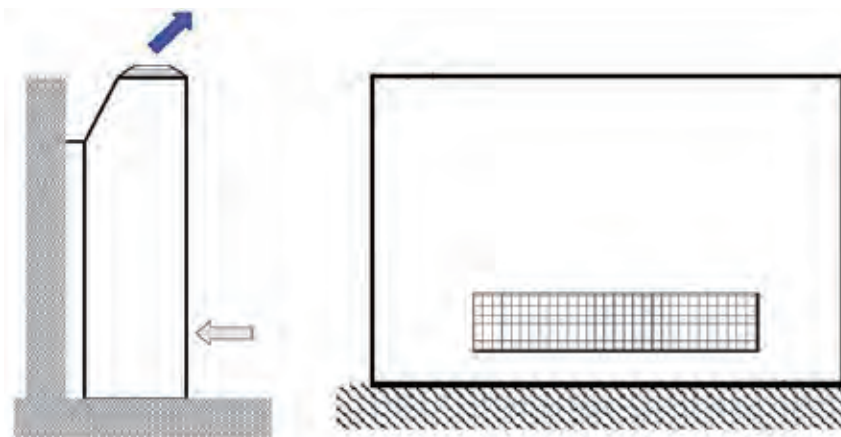
CB Range
Ceiling Concealed with Back Plenum Units



CE Range
Ceiling Exposed Units



VC Range
Vertical Concealed Units

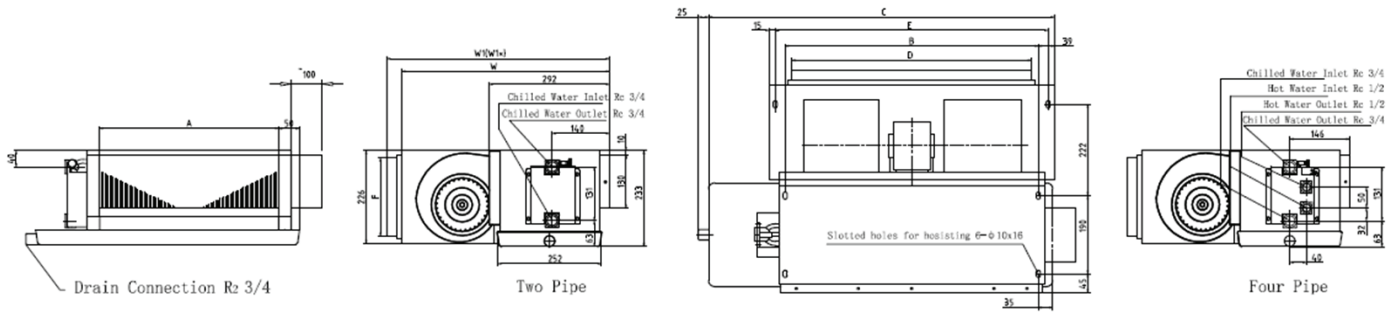


VE Range
Vertical Exposed Units

Dimensional Details

UNIT DIMENSIONS & WEIGHTS

CONCEALED TYPE UNITS

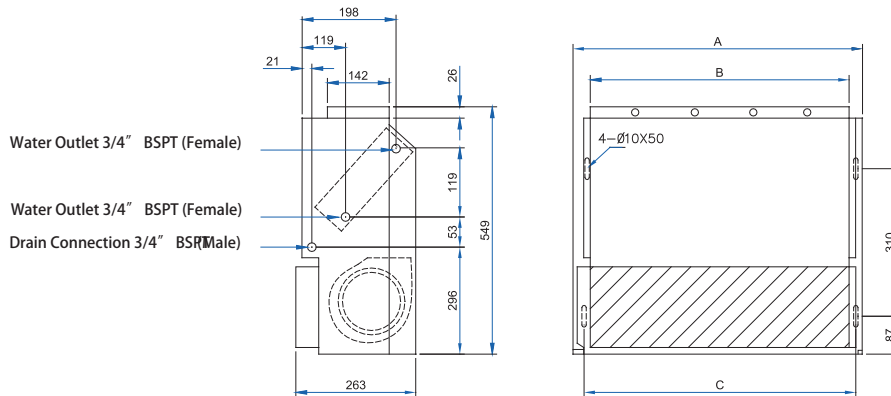


CEILING CONCEALED WITH BACK RETURN PLENUM

Model	A	B	Length with Standard		Length with Extended Drain		D	E	F	W	Width		Height	Outlet Flange Dimension	Weight (kg)	
			C	C^	C*	C*^					F1	F2			3 Rows	3+1,4Rows
			W1	W1*	H											
YGFC 02 CB 3(4,A)	435	465	630	730	730	830	460(444)	513	190(202)	507	541	558	233	485 x 130	18.0	19.0
YGFC 03 CB 3(4,A)	585	615	780	880	880	980	610(594)	663	190(202)	507	541	558	233	635 x 130	20.8	22.1
YGFC 04 CB 3(4,A)	665	695	880	980	980	1080	690(674)	743	190(202)	507	541	558	233	715 x 130	23.4	24.4
YGFC 05 CB 3(4,A)	725	755	930	1030	1030	1130	750(734)	803	190(202)	507	541	558	233	775 x 130	24.9	26.0
YGFC 06 CB 3(4,A)	825	855	1030	1130	1130	1230	850(834)	903	190(202)	507	541	558	233	875 x 130	27.4	28.6
YGFC 07 CB 3(4,A)	1005	1035	1200	1300	1300	1400	1030(1014)	1083	190(202)	507	541	558	233	1055 x 130	36.3	38.5
YGFC 08 CB 3(4,A)	1205	1235	1400	1500	1500	1600	1230(1214)	1283	190(202)	507	541	558	233	1255 x 130	38.7	41.1
YGFC 10 CB 3(4,A)	1255	1285	1450	1550	1550	1650	1280(1264)	1333	190(202)	507	541	558	233	1305 x 130	40.3	42.5
YGFC 12 CB 3(4,A)	1505	1535	1700	1800	1800	1900	1530(1514)	1583	190(202)	507	541	558	233	1555 x 130	45.8	47.7
YGFC 14 CB 3(4,A)	1755	1785	1950	2050	2050	2150	1780(1764)	1833	190(202)	507	541	558	233	1805 x 130	56.5	58.5

Note :

(1)A is the coil length. (2)B is the distance between the elliptical holes on the coil top panel. (3)C is the length of drain pan. (4)C^ is the length unit including extra terminal box. (5)C* is the length of unit including extended drain pan. (6)C*^ is length of unit including extra terminal box. (7)D is the length of return plenum. Data out brackets are for side/ back filter removal, data in brackets are for bottom filter removal. (8)E is the distance between the elliptical holes on the return plenum. (9)F is the height of return plenum. Data out brackets are for side/ back filter removal, data in brackets are for bottom filter removal. (10) Width refers to plenum with filter & inlet flange. (11)W1 for nylon filter(F1),W1* for Al mesh filter(F2). (12)W is the unit width without filter & inlet flange. (13)Weights mentioned above are for standard units. For weights including filters, extended drain pan and terminal box please refer to performance sheets.



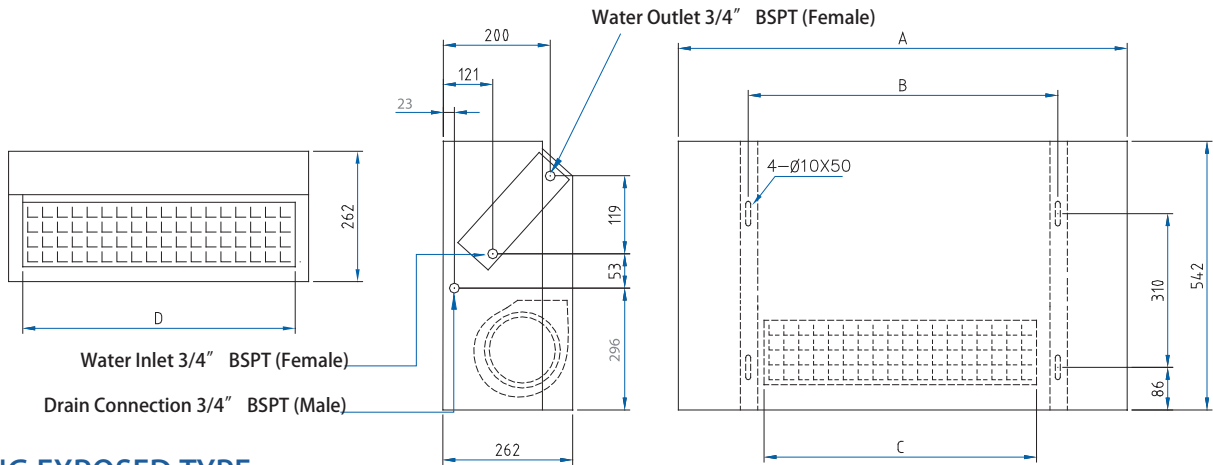
VERTICAL CONCEALED TYPE

Model	A (Length)	B	C	Width	Height	Weight (kg)	
						3 Rows	3+1,4 Rows
YGFC 02 VC 3(4,A)	655	595	625	263	549	22.7	24.2
YGFC 03 VC 3(4,A)	755	695	725	263	549	24.6	26.6
YGFC 04 VC 3(4,A)	855	795	825	263	549	27.6	29.1
YGFC 05 VC 3(4,A)	955	895	925	263	549	29.3	31.1
YGFC 06 VC 3(4,A)	1075	1015	1045	263	549	32.0	34.5
YGFC 07 VC 3(4,A)	1255	1195	1225	263	549	42.0	44.8
YGFC 08 VC 3(4,A)	1375	1315	1345	263	549	44.2	47.2
YGFC 10 VC 3(4,A)	1475	1415	1445	263	549	46.3	48.8
YGFC 12 VC 3(4,A)	1675	1615	1645	263	549	52.5	55.5
YGFC 14 VC 3(4,A)	1915	1855	1885	263	549	63.0	66.6

Dimensional Details

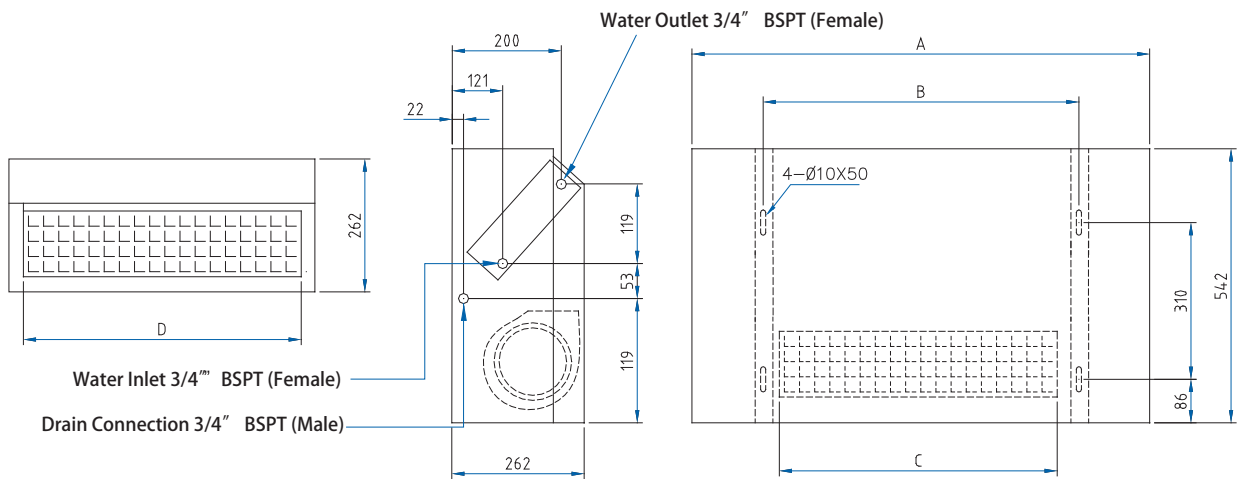
UNIT DIMENSIONS & WEIGHTS

EXPOSED TYPE UNITS



CEILING EXPOSED TYPE

Model	A (Length)	B	C	D	Width	Height	Weight	
							3 Rows	3+1,4 Rows
YGFC 02 CE 3(4,A)	906	625	725	845	262	542	32.1	34.7
YGFC 03 CE 3(4,A)	1026	725	846	966	262	542	34.6	37.2
YGFC 04 CE 3(4,A)	1147	825	966	1092	262	542	38.5	41.1
YGFC 05 CE 3(4,A)	1168	925	1087	1208	262	542	41.3	43.8
YGFC 06 CE 3(4,A)	1388	1045	1207	1328	262	542	45.8	48.4
YGFC 07 CE 3(4,A)	1510	1225	1328	1450	262	542	55.0	55.9
YGFC 08 CE 3(4,A)	1630	1345	1448	1570	262	542	61.5	62.5
YGFC 10 CE 3(4,A)	1750	1445	1569	1690	262	542	63.2	64.2
YGFC 12 CE 3(4,A)	1990	1645	1809	1930	262	542	69.2	70.3
YGFC 14 CE 3(4,A)	2230	1885	2049	2170	262	542	83.0	84.2



VERTICAL EXPOSED TYPE

Model	A (Length)	B	C	D	Width	Height	Weight	
							3 Rows	3+1,4 Rows
YGFC 02 VE 3(4,A)	906	625	725	845	262	542	32.1	34.7
YGFC 03 VE 3(4,A)	1026	725	846	966	262	542	34.6	37.2
YGFC 04 VE 3(4,A)	1147	825	966	1092	262	542	38.5	41.1
YGFC 05 VE 3(4,A)	1168	925	1087	1208	262	542	41.3	43.8
YGFC 06 VE 3(4,A)	1388	1045	1207	1328	262	542	45.8	48.4
YGFC 07 VE 3(4,A)	1510	1225	1328	1450	262	542	55.0	55.9
YGFC 08 VE 3(4,A)	1630	1345	1448	1570	262	542	61.5	62.5
YGFC 10 VE 3(4,A)	1750	1445	1569	1690	262	542	63.2	64.2
YGFC 12 VE 3(4,A)	1990	1645	1809	1930	262	542	69.2	70.3
YGFC 14 VE 3(4,A)	2230	1885	2049	2170	262	542	83.0	84.2

Dimensional Details

PACKAGED DIMENSIONS

Model		Length	Width	Height	Gross Weight			
					3 Rows		4,3+1 Rows	
		mm				kg		
CB (3,4,3+1) Standard	YGFC 02	680	570	240	20.3		21.3	
	YGFC 03	830	570	240	23.5		24.8	
	YGFC 04	930	570	240	26.5		27.5	
	YGFC 05	980	570	240	28.2		29.3	
	YGFC 06	1100	570	240	30.6		31.8	
	YGFC 07	1270	570	240	40.4		42.6	
	YGFC 08	1470	570	240	43.1		45.5	
	YGFC 10	1520	570	240	45.1		47.3	
	YGFC 12	1770	570	240	51.3		52.9	
YGFC 14	2020	570	240	62.9		65.2		
CB (3,4,3+1) with Extended Drain Pan or Heater Terminal Box	YGFC 02	780	570	240	20.6	22.4	21.6	23.4
	YGFC 03	930	570	240	23.8	25.6	25.1	26.9
	YGFC 04	1030	570	240	26.8	28.6	27.8	29.6
	YGFC 05	1080	570	240	28.4	30.3	29.5	31.4
	YGFC 06	1200	570	240	30.9	32.7	32.1	33.9
	YGFC 07	1370	570	240	40.7	42.5	42.9	44.7
	YGFC 08	1570	570	240	43.4	45.2	45.8	47.6
	YGFC 10	1620	570	240	45.4	47.2	47.6	49.4
	YGFC 12	1870	570	240	51.6	53.4	53.2	55.0
YGFC 14	2120	570	240	63.2	65.0	65.5	67.3	
CB (3,4,3+1) with Extended Drain Pan & Heater Terminal Box	YGFC 02	880	570	240	22.7		23.7	
	YGFC 03	1030	570	240	25.9		27.2	
	YGFC 04	1130	570	240	28.9		29.9	
	YGFC 05	1180	570	240	30.5		31.6	
	YGFC 06	1300	570	240	33.0		34.2	
	YGFC 07	1470	570	240	42.8		45.0	
	YGFC 08	1670	570	240	45.5		47.9	
	YGFC 10	1720	570	240	47.5		49.7	
	YGFC 12	1970	570	240	53.7		55.3	
YGFC 14	2220	570	240	65.3		67.6		
CE / VE (3,4,3+1)	YGFC 02	955	280	570	34.8		37.4	
	YGFC 03	1075	280	570	37.6		40.2	
	YGFC 04	1195	280	570	41.8		44.4	
	YGFC 05	1335	280	570	45.0		46.7	
	YGFC 06	1435	280	570	49.8		52.4	
	YGFC 07	1560	280	570	59.4		60.3	
	YGFC 08	1680	280	570	66.2		67.2	
	YGFC 10	1800	280	570	68.2		69.2	
	YGFC 12	2040	280	570	75.0		76.0	
YGFC 14	2280	280	570	89.5		90.7		
VC (3,4,3+1)	YGFC 02	700	280	570	25.1		26.6	
	YGFC 03	800	280	570	27.3		29.3	
	YGFC 04	900	280	570	30.6		32.1	
	YGFC 05	1020	280	570	32.8		34.6	
	YGFC 06	1120	280	570	35.8		38.3	
	YGFC 07	1300	280	570	46.5		49.3	
	YGFC 08	1420	280	570	49.0		52.0	
	YGFC 10	1520	280	570	51.4		53.9	
	YGFC 12	1720	280	570	58.3		61.3	
YGFC 14	1960	280	570	69.8		73.2		

Note : Weights of CB Units with Heater Terminal Box and Standard Drain Pan.

Technical Specifications

SPECIFICATIONS

DISTRICT COOLING APPLICATION

MODEL [CB]		02	03	04	05	06
Performance						
Nominal Air Flow	m3/h	293	434	514	695	912
	CFM	172	255	302	409	536
Nominal Total Capacity	kW	1.54	2.33	2.59	3.39	4.18
	Btuh	5254	7950	8837	11567	14262
Water Flow Rate	cu.m/h	0.148	0.223	0.248	0.324	0.400
	G.P.M.(US)	0.65	0.98	1.09	1.43	1.76
Water Pressure Drop	kPa	25.9	32.6	22.2	24.1	39.6
	ft.wg.	8.46	10.92	7.44	8.07	13.26
COIL						
Face Area	sq.m	0.091	0.123	0.140	0.152	0.173
Face Velocity	m/s	0.89	0.98	1.02	1.27	1.46
Header Material		Copper				
MOTOR						
Type		3 - Speed Permanent Split Capacitor Motor				
No. of Motor	#	1	1	1	1	1
Total Rating Input	watt	37.4	50.0	60.0	85.2	107.2
Amp. (220V / 1 Ph. / 50 - 60 Hz.)	A	0.170	0.227	0.273	0.387	0.487
FAN						
Type		Centrifugal Fan (Forward Curve)				
No. of Fans	#	1	2	2	2	2
WATER CONTENT						
3 Rows	Liters	0.53	0.71	0.81	0.88	1.00
4 Rows	Liters	0.70	0.95	1.07	1.17	1.33
3 + 1 Rows	Liters	0.71	0.95	1.09	1.18	1.35

MODEL [CB]		07	08	10	12	14
Performance						
Nominal Air Flow	m3/h	961	1216	1402	1697	2114
	CFM	565	715	825	998	1244
Nominal Total Capacity	kW	4.53	5.53	5.95	6.87	8.58
	Btuh	15456	18868	20301	23440	29275
Water Flow Rate	cu.m/h	0.433	0.529	0.569	0.658	0.821
	G.P.M.(US)	1.91	2.33	2.51	2.90	3.61
Water Pressure Drop	kPa	45.9	22.1	24.3	31.3	29.7
	ft.wg.	15.37	7.41	8.14	10.49	9.94
COIL						
Face Area	sq.m	0.211	0.253	0.264	0.316	0.369
Face Velocity	m/s	1.26	1.33	1.48	1.49	1.59
Header Material		Copper				
MOTOR						
Type		3 - Speed Permanent Split Capacitor Motor				
No. of Motor	#	1	2	2	2	2
Total Rating Input	watt	108.3	148.4	163.0	205.7	258.5
Amp. (220V / 1 Ph. / 50 - 60 Hz.)	A	0.492	0.675	0.741	0.935	1.175
FAN						
Type		Centrifugal Fan (Forward Curve)				
No. of Fans	#	2	3	4	4	4
WATER CONTENT						
3 Rows	Liters	1.22	1.46	1.52	1.82	2.13
4 Rows	Liters	1.62	1.95	2.03	2.43	2.84
3 + 1 Rows	Liters	1.64	1.97	2.05	2.46	2.86

Note : The performances are based on the following conditions:
 Cooling Capacity : For 3 Row Coils
 Entering Air Conditions 24 °C , WB : 18 °C
 Entering Chilled Water Conditions = 5.5 °C

Leaving Chilled Water Conditions = 14.5 °C
 220V / 1 Ph. / 50 Hz.
 30 Pa External Static Pressure
 Airflow : Fan speed at medium

Technical Specifications

SPECIFICATIONS

DISTRICT COOLING APPLICATION

MODEL [CE/VE/VC]		02	03	04	05	06
Performance						
Nominal Air Flow	m3/h	374	501	649	769	1043
	CFM	220	295	382	452	614
Nominal Total Capacity	kW	1.93	2.92	3.32	4.02	5.11
	Btuh	6585	9963	11328	13716	17435
Water Flow Rate	cu.m/h	0.184	0.279	0.317	0.385	0.489
	G.P.M.(US)	0.81	1.23	1.40	1.70	2.15
Water Pressure Drop	kPa	23.0	49.6	11.7	15.5	27.4
	ft.wg.	7.71	16.62	3.92	5.19	9.18
COIL						
Face Area	sq.m	0.097	0.118	0.139	0.156	0.183
Face Velocity	m/s	0.90	1.01	1.14	1.28	1.49
Header Material	Copper					
MOTOR						
Type	3 - Speed Permanent Split Capacitor Motor					
No. of Motor	#	1	1	1	1	1
Total Rating Input	watt	35	48	64	103	118
Amp. (220V / 1 Ph. / 50 - 60 Hz.)	A	0.15	0.21	0.28	0.45	0.52
FAN						
Type	Centrifugal Fan (Forward Curve)					
No. of Fans	#	1	2	2	2	2
WATER CONTENT						
3 Rows	Liters	1.02	1.17	1.32	1.44	1.65
4 Rows	Liters	1.29	1.49	1.69	1.86	2.14

MODEL [CE/VE/VC]		07	08	10	12	14
Performance						
Nominal Air Flow	m3/h	1233	1357	1551	1872	2178
	CFM	725	798	912	1101	1281
Nominal Total Capacity	kW	5.94	5.90	6.73	8.19	9.67
	Btuh	20267	20131	22963	27944	32994
Water Flow Rate	cu.m/h	0.568	0.565	0.644	0.783	0.925
	G.P.M.(US)	2.50	2.49	2.84	3.45	4.07
Water Pressure Drop	kPa	42.0	17.6	23.5	43.4	27.3
	ft.wg.	14.07	5.90	7.87	14.54	9.15
COIL						
Face Area	sq.m	0.224	0.245	0.265	0.305	0.366
Face Velocity	m/s	1.36	1.32	1.50	1.48	1.47
Header Material	Copper					
MOTOR						
Type	3 - Speed Permanent Split Capacitor Motor					
No. of Motor	#	2	2	2	2	3
Total Rating Input	watt	148	141	195	222	254
Amp. (220V / 1 Ph. / 50 - 60 Hz.)	A	0.65	0.62	0.85	0.98	1.11
FAN						
Type	Centrifugal Fan (Forward Curve)					
No. of Fans	#	3	4	4	4	6
WATER CONTENT						
3 Rows	Liters	1.95	2.10	2.25	2.55	3.01
4 Rows	Liters	2.54	2.74	2.94	3.34	3.94

Note : The performances are based on the following conditions:
 Cooling Capacity : For 3 Row Coils
 Entering Air Conditions DB : 24 °C , WB : 18 °C
 Entering Chilled Water Conditions = 5.5 °C

Leaving Chilled Water Conditions = 14.5 °C
 220V / 1 Ph. / 50 Hz.
 0 Pa External Static Pressure
 Airflow : Fan speed at medium

Technical Specifications

SPECIFICATIONS

STANDARD APPLICATION

MODEL [CB]		02	03	04	05	06
Performance						
Nominal Air Flow	m3/h	293	434	514	695	912
	CFM	172	255	302	409	536
Nominal Total Capacity	kW	1.59	2.31	2.62	3.48	4.44
	Btuh	5425	7882	8939	11825	15218
Water Flow Rate	cu.m/h	0.27	0.40	0.45	0.60	0.77
	G.P.M.(US)	1.20	1.75	1.99	2.64	3.39
Water Pressure Drop	kPa	17.8	21.0	23.0	24.1	29.7
	ft.wg.	5.96	7.04	7.71	8.08	9.94
COIL						
Face Area	sq.m	0.091	0.123	0.140	0.152	0.173
Face Velocity	m/s	0.89	0.98	1.02	1.27	1.46
Header Material		Copper				
MOTOR						
Type		3 - Speed Permanent Split Capacitor Motor				
No. of Motor	#	1	1	1	1	1
Total Rating Input	watt	37.4	50.0	60.0	85.2	107.2
Amp. (220V / 1 Ph. / 50 - 60 Hz.)	A	0.170	0.227	0.273	0.387	0.487
FAN						
Type		Centrifugal Fan (Forward Curve)				
No. of Fans	#	1	2	2	2	2
WATER CONTENT						
3 Rows	Liters	0.53	0.71	0.81	0.88	1.00
4 Rows	Liters	0.70	0.95	1.07	1.17	1.33
3 + 1 Rows	Liters	0.71	0.95	1.09	1.18	1.35

MODEL [CB]		07	08	10	12	14
Performance						
Nominal Air Flow	m3/h	961	1216	1402	1697	2114
	CFM	565	715	825	998	1244
Nominal Total Capacity	kW	4.71	5.93	6.20	7.59	9.19
	Btuh	16071	20233	21154	25897	31356
Water Flow Rate	cu.m/h	0.81	1.02	1.07	1.31	1.58
	G.P.M.(US)	3.57	4.50	4.70	5.75	6.97
Water Pressure Drop	kPa	19.9	28.3	25.2	27.9	29.3
	ft.wg.	6.66	9.48	8.44	9.35	9.81
COIL						
Face Area	sq.m	0.211	0.253	0.264	0.316	0.369
Face Velocity	m/s	1.26	1.33	1.48	1.49	1.59
Header Material		Copper				
MOTOR						
Type		3 - Speed Permanent Split Capacitor Motor				
No. of Motor	#	1	2	2	2	2
Total Rating Input	watt	108.3	148.4	163.0	205.7	258.5
Amp. (220V / 1 Ph. / 50 - 60 Hz.)	A	0.492	0.675	0.741	0.935	1.175
FAN						
Type		Centrifugal Fan (Forward Curve)				
No. of Fans	#	2	3	4	4	4
WATER CONTENT						
3 Rows	Liters	1.22	1.46	1.52	1.82	2.13
4 Rows	Liters	1.62	1.95	2.03	2.43	2.84
3 + 1 Rows	Liters	1.64	1.97	2.05	2.46	2.86

Cooling Capacity : For 3 Row Coils
 Entering Air Conditions DB : DB : 24 °C , WB : 18 °C
 Water Conditions = 7 °C
 Leaving Chilled Water Conditions = 12 °C

220V / 1 Ph. / 50 Hz.
 30 Pa External Static Pressure
 Airflow : Fan speed at medium

Technical Specifications

STANDARD APPLICATION

MODEL [CE/VE/VC]		02	03	04	05	06
Performance						
Nominal Air Flow	m3/h	397	481	652	769	1030
	CFM	231	280	386	457	617
Nominal Total Capacity	kW	2.00	2.91	3.50	4.18	5.27
	Btuh	6824	9929	11942	14262	17981
Water Flow Rate	cu.m/h	0.345	0.501	0.603	0.720	0.908
	G.P.M.(US)	1.52	2.21	2.66	3.17	4.00
Water Pressure Drop	kPa	12.5	25.5	12.3	16.3	25.8
	ft.wg.	4.19	8.54	4.12	5.46	8.64
COIL						
Face Area	sq.m	0.097	0.118	0.139	0.156	0.183
Face Velocity	m/s	0.98	0.96	1.15	1.25	1.46
Header Material	Copper					
MOTOR						
Type	3 - Speed Permanent Split Capacitor Motor					
No. of Motor	#	1	1	1	1	1
Total Rating Input	watt	37	48	65	103	117
Amp. (220V / 1 Ph. / 50 - 60 Hz.)	A	0.17	0.22	0.30	0.47	0.53
FAN						
Type	Centrifugal Fan (Forward Curve)					
No. of Fans	#	1	2	2	2	2
WATER CONTENT						
3 Rows	Liters	1.02	1.17	1.32	1.44	1.65
4 Rows	Liters	1.29	1.49	1.69	1.86	2.14
3 + 1 Rows	Liters	1.49	1.69	1.89	2.06	2.34

MODEL [CE/VE/VC]		07	08	10	12	14
Performance						
Nominal Air Flow	m3/h	1177	1272	1520	1763	2069
	CFM	700	760	913	1067	1249
Nominal Total Capacity	kW	5.82	6.41	7.00	8.50	10.66
	Btuh	19858	21871	23884	29002	36372
Water Flow Rate	cu.m/h	1.002	1.104	1.205	1.463	1.836
	G.P.M.(US)	4.41	4.86	5.31	6.44	8.08
Water Pressure Drop	kPa	17.5	21.1	9.6	14.9	25.2
	ft.wg.	5.86	7.07	3.22	4.99	8.44
COIL						
Face Area	sq.m	0.224	0.245	0.265	0.305	0.366
Face Velocity	m/s	1.36	1.32	1.50	1.48	1.47
Header Material	Copper					
MOTOR						
Type	3 - Speed Permanent Split Capacitor Motor					
No. of Motor	#	2	2	2	2	3
Total Rating Input	watt	142	136	195	206	246
Amp. (220V / 1 Ph. / 50 - 60 Hz.)	A	0.64	0.62	0.88	0.93	1.12
FAN						
Type	Centrifugal Fan (Forward Curve)					
No. of Fans	#	3	4	4	4	6
WATER CONTENT						
3 Rows	Liters	1.95	2.10	2.25	2.55	3.01
4 Rows	Liters	2.54	2.74	2.94	3.34	3.94
3 + 1 Rows	Liters	2.74	2.94	3.14	3.54	4.14

Cooling Capacity : For 3 Row Coils
 Entering Air Conditions DB : 24 °C , WB : 18 °C
 Entering Chilled Water Conditions = 7°C
 Leaving Chilled Water Conditions = 12°C

220V / 1 Ph. / 50 Hz.
 0 Pa External Static Pressure
 Airflow : Fan speed at medium

Capacity Ratings

PERFORMANCE RATINGS

YGFC | DISTRICT COOLING | CB | 3 ROWS | 2 PIPE

Model	Speed	ESP	Air Flow	Capacity		Air Off FCU		Water Flow	Water Pressure	Power Input
				Total	Sensible	DB	WB			
		Pa	m³/h	kW	kW	°C	°C	m³/h	kPa	W
YGFC 02 DC CB 3 X G1 X F L	High	0	436	2.05	1.46	13.3	12.5	0.196	27.6	43
		30	348	1.75	1.21	12.7	12.0	0.168	26.5	41
		60	248	1.30	0.91	12.1	10.7	0.124	23.5	38
	Medium	0	381	1.87	1.33	12.7	12.2	0.179	27.0	40
		30	293	1.54	1.07	12.1	11.7	0.148	25.3	37
		60	202	0.95	0.69	12.9	12.4	0.091	20.1	34
	Low	0	285	1.51	1.02	12.4	11.6	0.144	25.1	33
		30	190	0.91	0.65	12.9	12.3	0.087	19.6	31
		60	114	0.54	0.38	13.1	12.4	0.051	14.8	29
YGFC 03 DC CB 3 X G1 X F L	High	0	654	3.08	2.09	13.6	12.4	0.295	51.2	58
		30	511	2.64	1.79	12.9	11.9	0.253	44.0	55
		60	386	2.15	1.46	11.8	10.7	0.206	35.8	51
	Medium	0	581	2.88	1.95	13.1	12.1	0.275	47.8	53
		30	434	2.33	1.54	12.6	11.6	0.223	38.9	50
		60	309	1.79	1.21	11.2	10.9	0.171	29.8	46
	Low	0	424	2.31	1.56	12.0	11.4	0.221	38.5	44
		30	289	1.50	1.15	11.1	10.7	0.144	24.9	41
		60	175	1.03	0.70	11.1	10.8	0.098	16.9	38
YGFC 04 DC CB 3 X G1 X F L	High	0	737	3.32	2.32	13.7	12.6	0.318	40.2	70
		30	602	2.87	1.96	13.1	12.2	0.274	29.8	66
		60	447	2.34	1.56	12.5	10.7	0.224	19.9	61
	Medium	0	648	3.08	2.09	13.4	12.3	0.294	34.4	63
		30	514	2.59	1.72	12.8	11.8	0.248	24.4	60
		60	368	1.86	1.23	13.0	11.9	0.178	12.8	55
	Low	0	522	2.63	1.75	13.0	11.9	0.251	25.1	55
		30	384	1.94	1.29	13.0	11.9	0.186	13.9	52
		60	252	1.27	0.84	13.0	11.9	0.122	6.6	47
YGFC 05 DC CB 3 X G1 X F L	High	0	924	4.18	3.01	13.3	12.6	0.400	42.3	98
		30	795	3.71	2.63	13.1	12.4	0.355	32.4	92
		60	656	3.06	2.17	13.2	10.7	0.293	21.1	85
	Medium	0	813	3.80	2.69	13.2	12.5	0.363	34.0	92
		30	695	3.39	2.37	12.8	12.1	0.325	26.5	85
		60	557	2.72	1.90	12.9	12.2	0.260	16.4	77
	Low	0	659	3.22	2.25	12.9	12.2	0.308	23.6	87
		30	536	2.62	1.83	12.9	12.2	0.250	15.1	81
		60	417	2.04	1.42	12.9	12.2	0.195	9.2	73
YGFC 06 DC CB 3 X G1 X F L	High	0	1209	5.09	3.85	13.7	13.1	0.487	56.8	125
		30	1070	4.65	3.40	13.5	12.8	0.445	52.9	118
		60	881	4.04	2.90	13.1	10.7	0.387	48.3	108
	Medium	0	1039	4.49	3.32	13.4	12.8	0.430	51.6	114
		30	912	4.18	3.01	13.2	12.5	0.400	49.3	107
		60	719	3.52	2.45	12.7	12.0	0.337	45.0	96
	Low	0	755	3.64	2.53	12.9	12.1	0.348	45.7	97
		30	632	3.20	2.23	12.3	11.8	0.307	43.4	90
		60	488	2.64	1.83	11.5	11.3	0.252	41.2	79

Note: Following continuous improvement, data is subjected to change without prior notice. The 60 Hz ratings can be generated from Software

Air Conditions : EDB / EWB 24 / 18 °C
 Fin Material / Protection : Aluminium / None

Water Conditions : EWT / LWT 5.5 / 14.5 °C
 Power Supply: 220V/1Ph./50Hz. delta T 9 °C

Capacity Ratings

PERFORMANCE RATINGS

YGFC | DISTRICT COOLING | CB | 3 ROWS | 2 PIPE

YGFC 07 DC CB 3 X G1 X F L	High	0	1259	5.41	3.98	13.8	13.0	0.518	63.2	128
		30	1113	5.04	3.57	13.5	12.6	0.482	55.4	120
		60	907	4.23	2.98	12.5	10.7	0.405	40.9	110
	Medium	0	1102	4.99	3.54	12.7	12.2	0.478	54.4	116
		30	961	4.53	3.16	13.2	12.3	0.433	45.9	108
		60	760	3.65	2.55	12.2	11.8	0.349	32.5	97
	Low	0	844	4.05	2.90	12.9	12.4	0.388	38.1	104
		30	700	3.46	2.45	12.7	12.2	0.331	30.2	96
		60	520	2.78	1.90	12.2	11.6	0.266	23.2	84
YGFC 08 DC CB 3 X G1 X F L	High	0	1575	6.56	4.95	13.8	13.1	0.628	33.0	179
		30	1367	5.96	4.42	13.5	12.9	0.570	27.9	169
		60	1089	4.75	3.52	13.4	10.7	0.454	18.9	158
	Medium	0	1420	6.19	4.59	13.4	12.8	0.592	29.8	158
		30	1216	5.53	4.11	13.3	12.7	0.529	24.5	148
		60	939	4.09	3.04	13.4	12.8	0.392	14.7	137
	Low	0	1109	4.83	3.58	13.4	12.8	0.462	19.4	135
		30	890	3.88	2.88	13.4	12.8	0.371	13.5	127
		60	642	2.92	2.14	13.1	12.6	0.279	8.6	113
YGFC 10 DC CB 3 X G1 X F L	High	0	1807	7.61	5.80	13.5	13.0	0.729	35.5	186
		30	1589	6.69	5.10	13.6	13.1	0.640	27.6	173
		60	1313	5.53	4.21	13.5	10.7	0.530	18.9	158
	Medium	0	1592	6.71	5.11	13.5	13.0	0.642	27.7	177
		30	1402	5.95	4.67	13.3	13.1	0.569	24.3	163
		60	1135	4.78	3.64	13.5	13.0	0.458	14.1	146
	Low	0	1190	5.01	3.82	13.5	13.0	0.480	15.5	161
		30	1017	4.45	3.26	13.5	12.8	0.426	12.2	146
		60	793	4.07	2.89	12.4	12.0	0.390	10.1	129
YGFC 12 DC CB 3 X G1 X F L	High	0	2276	8.32	6.45	14.4	13.6	0.796	41.6	241
		30	1994	7.61	5.89	13.9	13.3	0.728	38.0	229
		60	1637	6.64	5.21	13.1	10.7	0.636	33.3	211
	Medium	0	1951	7.45	5.79	14.0	13.4	0.713	37.2	222
		30	1697	6.87	5.35	13.4	13.1	0.658	34.4	206
		60	1357	5.78	4.54	12.8	12.7	0.553	29.3	185
	Low	0	1389	5.95	4.67	12.5	12.4	0.570	30.1	193
		30	1168	5.18	4.01	12.2	11.9	0.496	26.7	179
		60	890	3.79	2.81	13.4	12.8	0.362	20.9	158
YGFC 14 DC CB 3 X G1 X F L	High	0	2758	10.24	8.02	14.5	13.7	0.980	35.9	309
		30	2412	9.33	7.31	14.2	13.5	0.893	32.4	289
		60	1969	8.08	6.42	13.3	10.7	0.774	27.9	269
	Medium	0	2434	9.22	7.33	14.1	13.5	0.882	32.0	277
		30	2114	8.58	6.67	13.8	13.3	0.821	29.7	259
		60	1681	7.31	5.80	12.7	12.6	0.699	25.2	235
	Low	0	1784	7.59	6.03	12.9	12.8	0.726	26.2	234
		30	1507	6.75	5.25	12.6	12.5	0.646	23.3	214
		60	1139	5.26	3.87	13.1	12.6	0.504	18.7	190

Note: Following continuous improvement, data is subjected to change without prior notice. The 60 Hz ratings can be generated from Software.

Air Conditions : EDB / EWB 24 / 18 °C

Fin Material / Protection : Aluminium / None

Water Conditions : EWT / LWT 5.5 / 14.5 °C

Power Supply : 220V/1Ph./50Hz. delta T 9 °C

Capacity Ratings

PERFORMANCE RATINGS

YGFC | DISTRICT COOLING | CB | 4 ROWS | 2 PIPE

Model	Speed	ESP	Air Flow	Capacity		Air Off FCU		Water Flow	Water Pressure	Power Input
				Total	Sensible	DB	WB			
		Pa	m³/h	kW	kW	°C	°C	m³/h	kPa	W
YGFC 02 DC CB 4 X G1 X F L	High	0	424	2.31	1.58	12.1	11.7	0.221	39.5	43
		30	340	1.94	1.30	11.6	11.3	0.186	30.0	41
		60	243	1.51	0.99	11.1	10.7	0.144	20.0	38
	Medium	0	374	2.09	1.41	12.0	11.5	0.200	33.5	39
		30	287	1.70	1.13	11.5	10.1	0.163	22.9	37
		60	198	1.22	0.80	11.1	10.8	0.117	16.3	33
	Low	0	274	1.64	1.09	11.4	11.0	0.157	22.0	32
		30	183	1.15	0.74	11.0	10.6	0.112	16.1	30
		60	110	0.71	0.45	11.0	10.4	0.073	11.8	28
YGFC 03 DC CB 4 X G1 X F L	High	0	620	3.34	2.28	12.2	11.7	0.319	73.7	58
		30	485	2.90	1.93	11.5	11.1	0.278	61.5	54
		60	366	2.26	1.47	11.0	10.7	0.216	46.9	51
	Medium	0	544	3.05	2.05	11.9	11.4	0.292	65.2	52
		30	413	2.55	1.68	11.4	11.0	0.244	53.6	49
		60	289	1.77	1.16	11.1	10.7	0.170	39.0	45
	Low	0	423	2.60	1.70	11.1	10.7	0.249	54.7	43
		30	288	1.78	1.16	11.0	10.7	0.170	38.8	41
		60	174	1.13	0.70	11.0	10.2	0.121	33.7	37
YGFC 04 DC CB 4 X G1 X F L	High	0	691	3.95	2.64	11.7	11.3	0.378	38.7	61
		30	565	3.23	2.16	11.7	11.3	0.309	25.7	58
		60	420	2.42	1.62	11.6	11.2	0.231	14.3	53
	Medium	0	608	3.48	2.32	11.7	11.3	0.333	29.8	56
		30	482	2.78	1.86	11.6	11.2	0.266	19.0	53
		60	345	2.07	1.36	11.3	10.9	0.198	9.8	48
	Low	0	489	2.80	1.87	11.7	11.3	0.267	19.3	48
		30	360	2.14	1.41	11.4	11.0	0.205	10.6	45
		60	236	1.48	0.95	11.0	10.6	0.144	5.1	41
YGFC 05 DC CB 4 X G1 X F L	High	0	874	4.44	3.08	12.5	12.0	0.424	39.9	84
		30	747	3.96	2.71	12.2	11.8	0.379	34.0	80
		60	616	3.42	2.30	11.8	11.4	0.327	27.1	73
	Medium	0	768	4.05	2.77	12.2	11.8	0.387	35.1	80
		30	656	3.64	2.46	12.0	11.6	0.348	29.8	74
		60	526	3.03	2.01	11.5	11.2	0.289	22.1	67
	Low	0	624	3.46	2.33	11.8	11.4	0.331	27.5	87
		30	507	2.94	1.95	11.5	11.1	0.281	20.9	81
		60	395	2.44	1.58	11.0	10.6	0.237	13.8	73
YGFC 06 DC CB 4 X G1 X F L	High	0	1162	5.55	3.96	13.0	12.5	0.531	36.5	122
		30	1025	4.99	3.50	12.7	12.2	0.478	30.7	115
		60	843	4.39	3.01	12.2	11.8	0.420	25.0	105
	Medium	0	999	4.90	3.44	12.7	12.2	0.468	29.7	113
		30	878	4.46	3.10	12.5	12.0	0.427	25.7	106
		60	692	3.74	2.53	11.9	11.5	0.358	19.7	95
	Low	0	719	3.78	2.59	12.2	11.7	0.362	20.0	96
		30	602	3.29	2.22	11.9	11.5	0.314	16.4	89
		60	465	2.71	1.81	11.5	11.1	0.259	12.4	79

Note: Following continuous improvement, data is subjected to change without prior notice. The 60 Hz ratings can be generated from Software.

Air Conditions : EDB / EWB 24 / 18 °C

Fin Material / Protection : Aluminium / None

Water Conditions : EWT / LWT 5.5 / 14.5 °C

Power Supply: 220V/1Ph./50Hz. delta T 9 °C

Capacity Ratings

PERFORMANCE RATINGS

YGFC | DISTRICT COOLING | CB | 4 ROWS | 2 PIPE

Model	Speed	ESP	Air Flow	Capacity		Air Off FCU		Water Flow	Water Pressure	Power Input
				Total	Sensible	DB	WB			
		Pa	m³/h	kW	kW	°C	°C	m³/h	kPa	W
YGFC 07 DC CB 4 X G1 X F L	High	0	1203	6.31	4.37	12.5	12.0	0.604	48.9	113
		30	1051	5.69	3.88	12.1	11.7	0.544	39.9	106
		60	857	4.88	3.27	11.7	11.3	0.467	29.7	98
	Medium	0	1036	5.61	3.82	12.1	11.7	0.537	38.9	102
		30	903	5.13	3.45	11.8	11.4	0.490	32.5	96
		60	714	4.23	2.79	11.4	11.0	0.404	22.5	86
	Low	0	806	4.67	3.11	11.6	11.2	0.446	27.1	102
		30	669	4.04	2.65	11.2	10.9	0.383	20.3	94
		60	497	3.24	2.07	11.0	10.5	0.322	13.2	83
YGFC 08 DC CB 4 X G1 X F L	High	0	1538	7.49	5.31	12.9	12.4	0.717	29.9	169
		30	1327	6.93	4.79	12.4	11.9	0.663	24.9	155
		60	1057	5.52	3.82	12.4	11.9	0.528	15.8	145
	Medium	0	1389	7.26	5.01	12.4	11.9	0.694	27.3	148
		30	1189	6.23	4.31	12.4	11.9	0.596	21.0	139
		60	919	4.80	3.33	12.3	11.9	0.460	12.0	129
	Low	0	1105	5.77	3.99	12.4	11.9	0.552	17.3	133
		30	887	4.55	3.18	12.4	12.1	0.435	11.0	125
		60	640	3.09	2.25	13.0	12.6	0.296	6.1	113
YGFC 10 DC CB 4 X G1 X F L	High	0	1742	8.63	6.02	12.6	12.1	0.826	39.8	174
		30	1532	7.59	5.41	12.9	12.4	0.727	30.7	163
		60	1266	6.27	4.40	12.6	12.1	0.600	21.0	148
	Medium	0	1538	7.62	5.32	12.6	12.1	0.729	31.0	167
		30	1355	6.87	4.86	12.8	12.3	0.657	25.2	154
		60	1097	5.44	3.82	12.5	12.1	0.520	15.8	138
	Low	0	1160	5.75	4.03	12.6	12.1	0.550	17.6	161
		30	991	4.91	3.45	12.5	12.1	0.470	12.9	146
		60	773	4.48	3.01	11.7	11.4	0.428	12.0	130
YGFC 12 DC CB 4 X G1 X F L	High	0	2203	10.27	7.37	13.1	12.6	0.983	36.7	239
		30	1931	9.32	6.59	12.8	12.3	0.892	30.3	224
		60	1585	8.06	5.61	12.5	12.0	0.771	23.5	205
	Medium	0	1835	8.92	6.31	12.8	12.3	0.853	28.0	221
		30	1596	8.33	5.76	12.4	11.9	0.797	24.9	205
		60	1276	6.90	4.70	12.0	11.6	0.660	17.9	184
	Low	0	1363	7.21	4.95	12.2	11.8	0.690	19.5	190
		30	1146	6.29	4.26	11.9	11.5	0.601	15.4	177
		60	874	5.18	3.46	11.6	11.2	0.496	11.2	158
YGFC 14 DC CB 4 X G1 X F L	High	0	2637	11.89	8.67	13.3	12.8	1.137	39.6	301
		30	2313	10.73	7.71	13.1	12.6	1.026	34.6	285
		60	1888	9.38	6.56	12.6	12.1	0.897	28.5	265
	Medium	0	2353	10.85	7.81	13.1	12.6	1.038	35.2	274
		30	2045	10.01	7.06	12.7	12.3	0.958	31.4	256
		60	1626	8.40	5.79	12.3	11.9	0.804	23.8	233
	Low	0	1734	8.64	6.04	12.5	12.1	0.826	24.9	231
		30	1464	7.59	5.23	12.2	11.8	0.726	19.7	211
		60	1107	6.26	4.24	11.9	11.5	0.599	12.5	188

Note: Following continuous improvement, data is subjected to change without prior notice. The 60 Hz ratings can be generated from Software.

Air Conditions : EDB / EWB 24 / 18 °C
 Fin Material / Protection : Aluminium / None

Water Conditions : EWT / LWT 5.5 / 14.5 °C
 Power Supply: 220V/1Ph./50Hz. delta T 9 °C

Capacity Ratings

PERFORMANCE RATINGS

YGFC | DISTRIC COOLING | CB | A(3+1) ROWS | 4 PIPE

Model	Speed	ESP	Air Flow dry	Capacity		Air Off FCU		Water Flow	Water Pressure	Power Input	Noise	Heating Capacity	LDBT	Water Flow	Water Pressure
		Pa	m³/h	kW	kW	DB	WB	m³/h	kPa	W	dB(A)	kW	°C	m³/h	kPa
YGFC 02 DC CB A X G1 X A5 L	High	0	424	1.98	1.43	13.2	12.5	0.189	26.0	43	39.0	3.61	47.1	0.311	71.4
		30	340	1.69	1.19	12.7	12.2	0.161	24.8	41	38.5	3.19	50.4	0.275	67.1
		60	243	1.27	0.88	12.4	12.0	0.122	22.7	38	40.3	2.56	53.6	0.220	37.8
	Medium	0	374	1.83	1.30	12.9	12.4	0.175	25.9	39	36.0	3.38	48.8	0.291	63.2
		30	287	1.51	1.04	12.4	12.0	0.144	24.3	37	37.0	2.87	51.8	0.247	55.7
		60	198	0.93	0.68	13.1	12.7	0.089	19.5	33	39.0	2.16	54.8	0.186	28.4
	Low	0	274	1.45	1.00	12.3	11.9	0.139	23.6	32	28.0	2.79	52.4	0.240	44.2
		30	183	0.88	0.63	12.9	12.5	0.084	18.5	30	31.6	2.00	55.0	0.172	25.1
		60	110	0.54	0.39	12.8	12.4	0.052	13.8	28	36.2	1.03	50.0	0.089	10.1
YGFC 03 DC CB A X G1 X A5 L	High	0	620	2.92	2.09	13.1	12.6	0.279	39.2	58	39.5	4.71	44.5	0.406	27.9
		30	485	2.52	1.76	12.6	12.2	0.241	33.0	54	40.3	4.15	46.8	0.357	22.3
		60	366	2.04	1.37	11.9	11.5	0.195	27.7	51	41.5	3.39	49.8	0.291	15.6
	Medium	0	544	2.71	1.90	12.8	12.3	0.259	36.0	52	36.0	4.37	45.8	0.376	24.4
		30	413	2.27	1.56	12.3	11.9	0.217	31.2	49	38.0	4.81	48.6	0.328	19.2
		60	289	1.68	1.12	11.6	11.2	0.161	23.1	45	41.0	2.95	52.9	0.254	12.2
	Low	0	423	2.27	1.55	12.2	11.7	0.217	31.3	43	29.1	3.82	49.1	0.329	19.3
		30	288	1.47	1.03	12.5	12.1	0.141	21.3	41	34.1	2.98	53.2	0.256	12.4
		60	174	1.04	0.69	11.3	10.9	0.100	15.6	37	38.1	1.80	53.2	0.155	5.1
YGFC 04 DC CB A X G1 X A5 L	High	0	691	3.16	2.30	13.3	12.8	0.302	33.4	61	43.0	5.98	47.9	0.515	35.6
		30	565	2.76	1.96	12.9	12.4	0.264	25.4	58	42.0	5.18	49.5	0.446	29.9
		60	420	2.22	1.52	12.3	11.9	0.212	16.6	53	43.0	4.22	52.4	0.363	19.3
	Medium	0	608	2.91	2.08	13.0	12.5	0.279	28.6	56	41.0	5.52	49.3	0.475	30.7
		30	482	2.48	1.73	12.5	12.1	0.238	20.7	53	41.0	4.73	51.5	0.408	26.2
		60	345	1.76	1.23	12.5	12.1	0.168	10.6	48	43.0	3.53	52.9	0.304	14.8
	Low	0	489	2.49	1.74	12.6	12.1	0.238	20.9	48	35.8	4.75	51.3	0.409	23.6
		30	360	1.84	1.29	12.5	12.1	0.176	11.5	45	37.5	3.68	52.9	0.317	15.7
		60	236	1.20	0.84	12.5	12.1	0.115	5.5	41	41.1	2.18	49.7	0.188	9.1
YGFC 05 DC CB A X G1 X A5 L	High	0	874	3.94	2.86	13.3	12.8	0.377	34.8	84	47.5	7.11	46.6	0.612	49.0
		30	747	3.51	2.51	13.1	12.5	0.336	26.8	80	45.5	6.27	47.4	0.540	43.7
		60	616	2.87	2.07	13.1	12.6	0.274	17.3	73	46.5	5.51	49.1	0.474	31.4
	Medium	0	768	3.57	2.56	13.1	12.6	0.341	27.9	80	45.0	6.53	47.7	0.562	42.2
		30	656	3.24	2.29	12.8	12.3	0.310	22.4	74	44.5	5.98	49.2	0.515	39.5
		60	526	2.56	1.81	12.8	12.3	0.245	13.5	67	45.5	4.77	49.5	0.411	24.7
	Low	0	624	3.03	2.14	12.8	12.3	0.290	19.4	87	36.8	5.56	49.0	0.478	31.9
		30	507	2.46	1.74	12.8	12.4	0.235	12.4	81	38.9	4.58	49.4	0.395	23.2
		60	395	1.91	1.36	12.8	12.4	0.183	7.6	73	42.6	3.38	47.8	0.291	14.2
YGFC 06 DC CB A X G1 X A5 L	High	0	1162	4.86	3.66	13.9	13.3	0.465	42.4	122	49.5	8.04	42.3	0.692	66.0
		30	1025	4.38	3.23	13.5	13.0	0.419	38.5	115	47.0	7.22	43.4	0.621	58.3
		60	843	4.86	2.78	13.2	12.6	0.369	36.0	105	47.5	6.74	46.3	0.580	48.5
	Medium	0	999	4.49	3.18	13.5	13.0	0.411	38.6	112	46.0	7.14	43.5	0.615	53.6
		30	878	3.98	2.88	13.2	12.7	0.381	36.5	105	45.0	6.82	45.4	0.587	53.2
		60	692	3.37	2.37	12.7	12.3	0.322	33.8	95	45.5	5.63	46.8	0.484	36.4
	Low	0	719	3.47	2.45	12.8	12.3	0.332	33.9	96	39.2	5.50	45.2	0.474	34.9
		30	602	3.05	2.11	12.4	12.0	0.292	32.3	89	39.4	4.78	41.5	0.411	28.3
		60	465	2.55	1.73	12.0	11.6	0.244	41.5	79	42.7	3.69	45.5	0.318	20.4

Air Conditions : EDB / EWB 24 / 18 °C Heating 20°C
 Fin Material / Protection : Aluminium / None

Water Conditions : EWT / LWT 5.5 / 14.5 °C Heating 20°C
 Power Supply: 220V/1Ph./50Hz. delta T 9 °C

Heating 70/60 °C 10°C

Capacity Ratings

PERFORMANCE RATINGS

YGFC | DISTRICT COOLING | CB | A(3+1) ROWS | 4 PIPE

Model	Speed	ESP	Air Flow dry	Capacity		Air Off FCU		Water Flow	Water Pressure	Power Input	Noise	Heating Capacity	LDBT	Water Flow	Water Pressure
		Pa	m³/h	kW	kW	DB °C	WB °C	m³/h	kPa	W	dB(A)	kW	°C	m³/h	kPa
YGFC 07 DC CB A X G1 X A5 L	High	0	1203	5.18	3.89	13.8	13.2	0.495	58.8	113	49.3	8.71	42.9	0.750	36.8
		30	1051	4.81	3.50	13.3	12.8	0.460	51.2	106	47.0	8.11	44.8	0.699	32.5
		60	857	4.22	2.98	12.8	12.3	0.404	40.7	98	47.2	7.14	46.9	0.615	26.0
	Medium	0	1036	4.96	3.53	13.0	12.5	0.474	53.8	102	47.0	8.00	44.9	0.689	31.8
		30	903	4.34	3.11	13.0	12.5	0.415	42.8	96	45.0	7.42	46.2	0.639	27.9
		60	714	3.63	2.53	12.6	12.1	0.347	32.2	86	46.0	6.42	48.9	0.553	21.6
	Low	0	806	3.84	2.75	13.0	12.5	0.367	34.8	102	37.8	6.94	47.7	0.598	24.7
		30	669	3.27	2.32	12.8	12.4	0.313	27.6	94	39.8	6.15	49.6	0.529	20.0
		60	497	2.70	1.86	12.3	11.9	0.258	22.1	83	43.0	4.90	50.7	0.422	13.4
YGFC 08 DC CB A X G1 X A5 L	High	0	1538	6.29	4.80	13.9	13.4	0.602	28.0	169	50.0	10.44	41.9	0.899	52.5
		30	1327	5.73	4.28	13.6	13.1	0.549	23.7	155	47.5	9.56	43.2	0.823	44.9
		60	1057	4.61	3.44	13.5	13.0	0.441	16.2	145	47.2	8.18	44.9	0.704	34.2
	Medium	0	1389	6.03	4.49	13.6	13.1	0.577	25.9	148	47.0	9.89	42.9	0.851	47.7
		30	1189	5.28	3.90	13.5	13.0	0.505	20.5	139	46.5	8.89	44.0	0.766	39.6
		60	919	4.00	2.99	13.5	13.1	0.382	12.8	129	46.5	7.36	45.8	0.634	28.5
	Low	0	1105	4.78	3.58	13.6	13.1	0.457	17.2	133	41.5	8.48	44.7	0.730	36.5
		30	887	3.84	2.88	13.5	13.1	0.367	12.0	125	40.6	7.14	45.9	0.615	27.0
		60	640	2.95	2.19	13.3	12.9	0.283	8.1	113	43.4	5.10	44.9	0.439	14.8
YGFC 10 DC CB A X G1 X A5 L	High	0	1742	7.28	5.44	13.7	13.2	0.697	29.8	174	50.5	12.81	44.2	1.103	72.3
		30	1532	6.52	4.95	13.9	13.3	0.624	24.7	163	48.5	11.95	44.5	1.029	67.0
		60	1266	5.27	3.97	13.7	13.2	0.504	17.0	148	48.5	10.09	46.2	0.868	47.2
	Medium	0	1538	6.40	4.80	13.7	13.2	0.612	23.8	167	48.5	11.75	45.1	1.011	61.6
		30	1355	5.77	4.39	13.8	13.3	0.552	23.2	154	47.0	11.19	45.9	0.964	59.6
		60	1097	4.56	3.44	13.7	13.2	0.436	13.3	138	47.5	8.86	46.6	0.763	38.2
	Low	0	1160	4.81	3.63	13.7	13.2	0.460	14.6	161	39.4	9.34	46.5	0.804	41.5
		30	991	4.27	3.18	13.5	13.0	0.409	11.9	146	42.4	8.00	46.6	0.689	32.7
		60	773	3.94	2.78	12.7	12.2	0.377	10.4	130	45.8	5.93	44.2	0.510	22.9
YGFC 12 DC CB A X G1 X A5 L	High	0	2203	8.14	6.49	14.4	13.8	0.779	36.6	239	52.2	14.52	41.5	1.251	52.9
		30	1931	7.46	5.82	14.1	13.6	0.714	33.5	224	51.0	13.67	43.2	1.177	47.5
		60	1585	6.58	4.99	13.8	13.2	0.630	29.8	205	49.8	12.23	45.1	1.053	39.1
	Medium	0	1835	7.13	5.57	14.1	13.6	0.682	31.6	221	48.5	13.27	43.5	1.143	45.1
		30	1596	6.64	5.05	13.8	13.3	0.635	29.6	205	48.0	12.34	44.9	1.062	39.7
		60	1276	5.54	4.12	13.5	13.0	0.530	25.0	184	47.7	10.85	47.7	0.934	31.7
	Low	0	1363	5.95	4.41	13.5	13.0	0.569	27.4	190	39.6	11.29	47.0	0.972	34.0
		30	1146	5.23	3.81	13.2	12.7	0.500	24.2	177	41.2	10.13	48.8	0.872	28.1
		60	874	3.84	2.90	13.6	13.2	0.367	19.2	158	44.1	8.29	49.7	0.713	19.8
YGFC 14 DC CB A X G1 X A5 L	High	0	2637	9.70	7.75	14.4	13.8	0.928	33.0	301	54.0	17.18	41.2	1.479	75.3
		30	2313	8.78	6.89	14.2	13.6	0.839	29.4	285	52.5	16.11	42.9	1.387	67.2
		60	1888	7.67	5.84	13.8	13.3	0.733	25.7	265	51.0	14.45	45.2	1.244	55.5
	Medium	0	2353	8.77	6.95	14.3	13.7	0.839	29.7	274	51.5	16.24	42.7	1.398	68.1
		30	2045	8.13	6.28	14.0	13.5	0.778	27.3	256	50.0	15.12	44.1	1.302	60.1
		60	1626	6.97	5.18	13.5	13.0	0.666	23.4	233	50.0	13.24	46.8	1.140	47.7
	Low	0	1734	7.26	5.46	13.6	13.1	0.695	24.5	231	43.8	13.75	46.1	1.184	51.0
		30	1464	6.46	4.75	13.3	12.9	0.618	21.8	211	43.8	12.43	47.9	1.070	42.6
		60	1107	5.09	3.74	13.3	12.8	0.487	17.8	188	46.8	10.35	49.6	0.891	30.9

Air Conditions : EDB / EWB 24 / 18 °C
 Heating 20°C
 Fin Material / Protection : Aluminium / None

Water Conditions : EWT / LWT 5.5 / 14.5 °C
 Heating 20°C
 Power Supply: 220V/1Ph./50Hz. delta T 9 °C

Heating 70/60 °C
 10°C

Capacity Ratings

PERFORMANCE RATINGS

YGFC | DISTRICT COOLING | CE | 3 ROWS | 2 PIPE

Model	Speed	Air Flow	Capacity		Air Off FCU		Water Flow	Water Pressure	Power Input
			Total	Sensible	DB	WB			
			m³/h	kW	kW	°C			
YGFC 02 DC CE 3 X F1 X A5 L	High	391	2.05	1.43	13.2	12.5	0.196	24.5	38
	Medium	374	1.93	1.36	13.2	12.5	0.184	23.0	35
	Low	271	1.49	1.04	12.6	12.1	0.142	18.2	26
YGFC 03 DC CE 3 X F1 X A5 L	High	506	2.95	1.96	12.5	11.7	0.282	51.2	51
	Medium	501	2.92	1.94	12.5	11.7	0.279	49.6	48
	Low	363	2.52	1.59	11.0	10.4	0.246	41.6	37
YGFC 04 DC CE 3 X F1 X A5 L	High	706	3.55	2.47	13.6	12.7	0.340	11.9	74
	Medium	649	3.32	2.31	13.4	12.6	0.317	11.7	64
	Low	477	2.59	1.79	12.8	12.2	0.248	8.0	49
YGFC 05 DC CE 3 X F1 X A5 L	High	796	4.12	2.84	13.4	12.5	0.394	17.1	105
	Medium	769	4.02	2.77	13.3	12.5	0.385	15.5	103
	Low	600	3.30	2.26	12.8	12.1	0.316	12.1	95
YGFC 06 DC CE 3 X F1 X A5 L	High	1110	5.34	3.74	14.0	13.0	0.511	30.1	124
	Medium	1043	5.11	3.57	13.8	12.9	0.489	27.4	118
	Low	753	4.04	2.79	13.0	12.3	0.387	19.1	100
YGFC 07 DC CE 3 X F1 X A5 L	High	1323	6.24	4.43	14.1	13.1	0.597	43.8	152
	Medium	1233	5.94	4.20	13.9	12.9	0.568	42.0	148
	Low	897	4.82	3.32	13.0	12.3	0.461	29.4	133
YGFC 08 DC CE 3 X F1 X A5 L	High	1432	6.29	4.60	14.5	13.4	0.601	19.4	148
	Medium	1357	5.90	4.36	14.5	13.5	0.565	17.6	141
	Low	1005	4.62	3.41	13.9	13.2	0.442	12.0	115
YGFC 10 DC CE 3 X F1 X A5 L	High	1700	7.22	5.33	14.7	13.6	0.690	26.6	199
	Medium	1551	6.73	4.97	14.5	13.5	0.644	23.5	195
	Low	1151	5.35	3.92	13.9	13.1	0.512	15.7	175
YGFC 12 DC CE 3 X F1 X A5 L	High	2030	8.76	6.39	14.7	13.5	0.838	47.3	232
	Medium	1872	8.19	5.99	14.5	13.5	0.783	43.4	222
	Low	1286	6.35	4.53	13.5	12.8	0.607	26.8	191
YGFC 14 DC CE 3 X F1 X A5 L	High	2409	10.52	7.64	14.6	13.5	1.006	34.0	268
	Medium	2178	9.67	7.04	14.4	13.4	0.925	27.3	254
	Low	1540	7.51	5.39	13.6	12.9	0.718	17.4	227

Note: Following continuous improvement, data is subjected to change without prior notice. The 60 Hz ratings can be generated from Software.

Calculation based upon 0 Pa ESP. Also Applies to VE & VC Range

Air Conditions : EDB / EWB 24 / 18 °C

Fin Material / Protection : Aluminium / None

Water Conditions : EWT / LWT 5.5 / 14.5 °C

Power Supply: 220V/1Ph./50Hz. delta T 9 °C

Capacity Ratings

PERFORMANCE RATINGS

YGFC | DISTRICT COOLING | CE | 4 ROWS | 2 PIPE

Model	Speed	Air Flow	Capacity		Air Off FCU		Water Flow	Water Pressure	Power Input
			Total	Sensible	DB	WB			
		m³/h	kW	kW	°C	°C	m³/h	kPa	W
YGFC 02 DC CE 4 X F1 X A5 L	High	384	2.03	1.43	13.0	12.4	0.194	4.4	39
	Medium	367	1.95	1.37	12.9	12.4	0.186	4.6	37
	Low	266	1.19	0.92	13.8	13.3	0.114	2.7	28
YGFC 03 DC CE 4 X F1 X A5 L	High	497	2.83	1.92	12.5	11.9	0.271	8.7	53
	Medium	492	2.78	1.90	12.6	11.9	0.266	8.4	50
	Low	357	2.09	1.42	12.2	11.7	0.200	5.0	38
YGFC 04 DC CE 4 X F1 X A5 L	High	693	3.79	2.59	12.9	12.2	0.363	17.4	75
	Medium	638	3.53	2.41	12.8	12.1	0.338	15.2	65
	Low	468	2.82	1.89	12.0	11.5	0.269	9.8	49
YGFC 05 DC CE 4 X F1 X A5 L	High	781	3.57	2.65	13.9	13.2	0.342	5.3	105
	Medium	756	3.43	2.56	14.0	13.3	0.329	5.2	103
	Low	589	2.70	2.03	13.8	13.2	0.259	3.5	95
YGFC 06 DC CE 4 X F1 X A5 L	High	1067	5.18	3.69	13.7	12.9	0.496	11.7	123
	Medium	1005	4.88	3.49	13.7	12.9	0.466	10.7	116
	Low	741	3.86	2.73	13.1	12.5	0.369	7.8	99
YGFC 07 DC CE 4 X F1 X A5 L	High	1291	6.62	4.61	13.4	12.6	0.633	22.0	150
	Medium	1197	6.25	4.34	13.2	12.5	0.598	19.9	145
	Low	897	5.11	3.48	12.5	11.9	0.488	14.7	131
YGFC 08 DC CE 4 X F1 X A5 L	High	1384	7.13	4.96	13.4	12.6	0.682	12.1	145
	Medium	1302	6.83	4.73	13.2	12.4	0.653	11.6	137
	Low	953	5.33	3.66	12.6	12.0	0.510	7.8	113
YGFC 10 DC CE 4 X F1 X A5 L	High	1655	8.25	5.78	13.6	12.7	0.789	16.4	197
	Medium	1535	7.77	5.44	13.5	12.7	0.743	15.0	193
	Low	1156	6.40	4.39	12.7	12.1	0.612	10.9	177
YGFC 12 DC CE 4 X F1 X A5 L	High	1956	10.10	6.95	13.5	12.5	0.967	24.0	224
	Medium	1805	9.70	6.61	13.1	12.3	0.928	23.3	211
	Low	1292	7.47	5.04	12.4	11.8	0.715	13.9	184
YGFC 14 DC CE 4 X F1 X A5 L	High	2361	11.43	8.09	13.8	12.9	1.094	19.6	266
	Medium	2145	10.63	7.49	13.6	12.8	1.017	18.5	253
	Low	1510	8.40	5.77	12.7	12.1	0.804	12.7	229

Note: Following continuous improvement, data is subjected to change without prior notice. The 60 Hz ratings can be generated from Software. Calculation based upon 0 Pa ESP. Also Applies to VE & VC Range

Air Conditions : EDB / EWB 24 / 18 °C
 Fin Material / Protection : Aluminium / None

Water Conditions : EWT / LWT 5.5 / 14.5 °C
 Power Supply: 220V/1Ph./50Hz. delta T 9 °C

Capacity Ratings

PERFORMANCE RATINGS

YGFC | STANDARD | CB | 3 ROWS | 2 PIPE

Model	Speed	ESP	Air Flow	Capacity		Air Off FCU		Water Flow	Water Pressure	Power Input
		Pa	m³/h	Total kW	Sensible kW	DB °C	WB °C	m³/h	kPa	W
YGFC 02 ST CB 3 X G1 X F L	High	0	436	2.09	1.41	12.9	12.1	0.361	28.2	43
		30	348	1.75	1.16	12.5	11.7	0.302	22.2	41
		60	248	1.38	0.90	11.9	11.1	0.238	15.3	38
	Medium	0	381	1.93	1.29	12.7	11.9	0.332	25.0	40
		30	293	1.59	1.04	12.2	11.4	0.273	17.8	37
		60	202	1.17	0.76	11.7	11.0	0.202	12.3	34
	Low	0	285	1.55	1.01	12.2	11.4	0.267	17.0	33
		30	190	1.11	0.72	11.8	11.1	0.191	11.1	31
		60	114	0.72	0.46	11.3	10.7	0.123	8.0	29
YGFC 03 ST CB 3 X G1 X F L	High	0	654	2.97	2.02	13.1	12.3	0.511	32.0	58
		30	511	2.56	1.70	12.6	11.8	0.440	26.0	55
		60	386	1.97	1.28	12.0	11.3	0.339	17.0	51
	Medium	0	581	2.74	1.85	12.9	12.1	0.471	28.5	53
		30	434	2.31	1.53	12.4	11.6	0.398	21.0	50
		60	309	1.69	1.10	12.0	11.3	0.291	12.8	46
	Low	0	424	2.24	1.47	12.3	11.5	0.385	20.0	44
		30	289	1.67	1.08	11.7	11.0	0.288	11.4	41
		60	175	1.06	0.67	11.2	10.5	0.182	8.1	38
YGFC 04 ST CB 3 X G1 X F L	High	0	737	3.27	2.22	13.1	12.2	0.563	30.4	70
		30	602	2.94	1.93	12.4	11.6	0.506	27.0	66
		60	447	2.31	1.50	12.0	11.3	0.397	19.1	61
	Medium	0	648	3.06	2.06	12.8	12.0	0.527	28.0	63
		30	514	2.62	1.73	12.3	11.6	0.451	23.0	60
		60	368	2.05	1.33	11.8	11.1	0.353	17.0	55
	Low	0	522	2.70	1.77	12.3	11.5	0.465	24.3	55
		30	384	2.19	1.40	11.7	11.0	0.376	18.2	52
		60	252	1.57	0.99	11.2	10.5	0.270	13.1	47
YGFC 05 ST CB 3 X G1 X F L	High	0	924	4.22	2.86	13.2	12.3	0.727	29.1	98
		30	795	3.81	2.54	12.8	12.0	0.656	26.2	92
		60	656	3.25	2.13	12.3	11.5	0.560	21.5	85
	Medium	0	813	3.86	2.59	12.9	12.0	0.665	27.0	92
		30	695	3.48	2.30	12.5	11.7	0.600	24.1	85
		60	557	2.96	1.92	12.0	11.3	0.509	19.8	77
	Low	0	659	3.39	2.25	12.6	11.8	0.584	23.2	87
		30	536	2.94	1.92	12.2	11.5	0.506	19.4	81
		60	417	2.41	1.55	11.8	11.0	0.416	15.3	73
YGFC 06 ST CB 3 X G1 X F L	High	0	1209	5.40	3.71	13.6	12.6	0.930	39.5	125
		30	1070	4.99	3.38	13.2	12.3	0.859	34.8	118
		60	881	4.32	2.83	12.4	11.6	0.744	28.3	108
	Medium	0	1039	4.92	3.34	13.3	12.4	0.846	34.1	114
		30	912	4.46	2.98	12.8	12.0	0.769	29.7	107
		60	719	3.74	2.44	12.3	11.5	0.644	23.6	96
	Low	0	755	3.97	2.64	12.7	11.9	0.684	25.4	97
		30	632	3.52	2.29	12.1	11.3	0.607	22.0	90
		60	488	2.87	1.83	11.6	10.9	0.494	18.1	79

Note: Following continuous improvement, data is subjected to change without prior notice. The 60 Hz ratings can be generated from Software.

Air Conditions : EDB / EWB 24/18°C
 Fin Material / Protection : Aluminium / None

Water Conditions : EWT / LWT 7 / 12°C
 Power Supply: 220V/1Ph./50Hz. delta T 9 °C

Capacity Ratings

PERFORMANCE RATINGS

YGFC | STANDARD | CB | 3 ROWS | 2 PIPE

Model	Speed	ESP	Air Flow	Capacity		Air Off FCU		Water Flow	Water Pressure	Power Input
				Total	Sensible	DB	WB			
		Pa	m³/h	kW	kW	°C	°C	m³/h	kPa	W
YGFC 07 ST CB 3 X G1 X F L	High	0	1259	5.80	4.03	13.6	12.7	0.998	27.8	128
		30	1113	5.23	3.59	13.3	12.4	0.901	23.5	120
		60	907	4.41	2.97	12.9	12.1	0.760	18.7	110
	Medium	0	1102	5.23	3.61	13.4	12.5	0.900	23.1	116
		30	961	4.71	3.19	13.0	12.2	0.811	19.9	108
		60	760	3.89	2.60	12.6	11.8	0.670	15.2	97
	Low	0	844	4.37	2.95	12.9	12.1	0.753	17.8	104
		30	700	3.79	2.52	12.5	11.7	0.652	15.1	96
		60	520	2.85	1.91	12.5	11.8	0.491	10.6	84
YGFC 08 ST CB 3 X G1 X F L	High	0	1575	7.08	4.86	13.4	12.5	1.219	37.8	179
		30	1367	6.34	4.30	13.1	12.2	1.092	31.6	169
		60	1089	5.33	3.54	12.6	11.8	0.917	23.9	158
	Medium	0	1420	6.69	4.57	13.3	12.4	1.151	34.4	158
		30	1216	5.93	3.99	12.9	12.1	1.021	28.3	148
		60	939	4.89	3.22	12.4	11.6	0.842	21.0	137
	Low	0	1109	5.75	3.83	12.7	11.8	0.991	27.0	135
		30	890	4.81	3.16	12.3	11.5	0.829	20.5	127
		60	642	3.66	2.38	11.9	11.2	0.630	13.6	113
YGFC 10 ST CB 3 X G1 X F L	High	0	1807	7.42	5.18	13.7	12.8	1.278	32.9	186
		30	1589	6.65	4.59	13.4	12.5	1.145	27.7	174
		60	1313	5.75	3.90	13.0	12.2	0.990	22.3	158
	Medium	0	1592	6.85	4.76	13.6	12.7	1.179	29.2	177
		30	1402	6.20	4.24	13.2	12.4	1.067	25.2	163
		60	1135	5.31	3.56	12.8	12.0	0.914	19.9	146
	Low	0	1190	5.80	3.95	13.1	12.2	1.000	23.0	161
		30	1017	5.13	3.45	12.8	12.0	0.883	19.1	146
		60	793	4.13	2.73	12.3	11.6	0.712	14.1	129
YGFC 12 ST CB 3 X G1 X F L	High	0	2276	9.15	6.46	13.9	13.0	1.576	37.8	241
		30	1994	8.45	5.83	13.5	12.5	1.456	33.3	229
		60	1637	7.33	4.95	13.0	12.1	1.262	26.3	211
	Medium	0	1951	8.37	5.85	13.7	12.8	1.441	32.7	222
		30	1697	7.59	5.20	13.2	12.4	1.307	27.9	206
		60	1357	6.49	4.34	12.7	11.9	1.118	21.5	185
	Low	0	1389	6.69	4.56	13.1	12.3	1.153	22.6	193
		30	1168	5.92	3.95	12.6	11.8	1.019	18.3	179
		60	890	4.76	3.13	12.2	11.5	0.819	12.2	158
YGFC 14 ST CB 3 X G1 X F L	High	0	2758	11.02	7.81	14.0	13.0	1.898	38.7	309
		30	2412	9.97	6.93	13.6	12.7	1.716	33.2	289
		60	1969	8.54	5.81	13.1	12.3	1.471	26.1	269
	Medium	0	2434	10.17	7.12	13.8	12.8	1.751	34.3	277
		30	2114	9.19	6.33	13.4	12.5	1.582	29.3	259
		60	1681	7.72	5.22	12.9	12.1	1.329	22.1	235
	Low	0	1784	8.51	5.80	13.1	12.3	1.466	26.0	234
		30	1507	7.46	4.99	12.7	11.9	1.285	20.8	214
		60	1139	5.98	3.93	12.3	11.5	1.029	13.8	190

Note: Following continuous improvement, data is subjected to change without prior notice. The 60 Hz ratings can be generated from Software.

Air Conditions : EDB / EWB 24/18°C
 Fin Material / Protection : Aluminium / None

Water Conditions : EWT / LWT 7 / 12°C
 Power Supply: 220V/1Ph./50Hz. delta T 5 °C

Capacity Ratings

PERFORMANCE RATINGS

YGFC | STANDARD | CB | 4 ROWS | 2 PIPE

Model	Speed	ESP	Air Flow	Capacity		Air Off FCU		Water Flow	Water Pressure	Power Input
		Pa	m³/h	Total kW	Sensible kW	DB °C	WB °C	m³/h	kPa	W
YGFC 02 ST CB 4 X G1 X F L	High	0	424	2.62	1.70	11.1	10.7	0.451	39.4	43
		30	340	2.12	1.37	10.8	10.5	0.366	27.3	41
		60	243	1.59	1.02	10.5	10.1	0.275	16.3	38
	Medium	0	374	2.33	1.51	11.0	10.6	0.401	32.2	39
		30	287	1.84	1.19	10.8	10.4	0.317	21.3	37
		60	198	1.34	0.83	10.5	9.9	0.246	12.6	33
	Low	0	274	1.77	1.13	10.7	10.3	0.304	19.8	32
		30	183	1.25	0.77	10.5	9.7	0.239	11.5	30
		60	110	0.80	0.46	10.5	9.1	0.211	7.5	28
YGFC 03 ST CB 4 X G1 X F L	High	0	620	3.62	2.38	11.5	11.0	0.623	44.3	58
		30	485	3.10	2.01	11.0	10.6	0.533	33.6	54
		60	366	2.38	1.52	10.5	10.1	0.410	21.7	51
	Medium	0	544	3.28	2.14	11.2	10.8	0.564	37.0	52
		30	413	2.70	1.74	10.8	10.4	0.465	26.6	49
		60	289	1.90	1.20	10.5	10.0	0.336	15.8	45
	Low	0	423	2.75	1.75	10.5	10.1	0.475	27.5	43
		30	288	1.90	1.20	10.5	10.0	0.339	16.0	41
		60	174	1.25	0.77	10.5	9.7	0.242	10.5	37
YGFC 04 ST CB 4 X G1 X F L	High	0	691	4.00	2.65	11.5	11.1	0.689	51.4	61
		30	565	3.46	2.25	11.1	10.7	0.596	38.3	58
		60	420	2.68	1.72	10.6	10.3	0.462	23.5	53
	Medium	0	608	3.63	2.38	11.3	10.9	0.625	42.2	56
		30	482	3.09	1.99	10.8	10.4	0.531	30.7	53
		60	345	2.26	1.43	10.5	10.1	0.396	17.2	48
	Low	0	489	3.13	2.01	10.6	10.3	0.540	31.5	48
		30	360	2.35	1.49	10.5	10.1	0.409	18.4	45
		60	236	1.63	0.98	10.5	9.6	0.329	11.9	41
YGFC 05 ST CB 4 X G1 X F L	High	0	874	4.85	3.24	11.8	11.4	0.835	47.4	84
		30	747	4.31	2.84	11.4	11.0	0.743	41.7	80
		60	616	3.70	2.41	11.1	10.7	0.636	36.1	73
	Medium	0	768	4.38	2.90	11.6	11.1	0.753	42.3	80
		30	656	3.97	2.59	11.2	10.8	0.684	38.4	74
		60	526	3.16	2.06	11.1	10.7	0.544	32.2	67
	Low	0	624	3.74	2.44	11.1	10.7	0.644	36.4	87
		30	507	3.08	2.00	11.0	10.6	0.530	31.7	81
		60	395	2.56	1.62	10.5	10.1	0.450	29.2	73
YGFC 06 ST CB 4 X G1 X F L	High	0	1162	6.25	4.22	12.1	11.6	1.076	39.4	122
		30	1025	5.63	3.78	11.9	11.5	0.970	31.9	115
		60	843	4.88	3.16	11.0	10.6	0.840	24.5	105
	Medium	0	999	5.50	3.72	12.1	11.6	0.948	30.6	113
		30	878	5.04	3.33	11.5	11.1	0.868	26.0	106
		60	692	4.19	2.71	11.0	10.6	0.721	19.4	95
	Low	0	719	4.28	2.86	11.7	11.3	0.737	20.0	96
		30	602	3.71	2.44	11.3	10.9	0.638	16.7	89
		60	465	3.10	1.99	10.6	10.2	0.534	14.5	79

Note: Following continuous improvement, data is subjected to change without prior notice. The 60 Hz ratings can be generated from Software.

Air Conditions : EDB / EWB 24/18°C

Fin Material / Protection : Aluminium / None

Water Conditions : EWT / LWT 7 / 12°C

Power Supply: 220V/1Ph./50Hz. delta T 5 °C

Capacity Ratings

PERFORMANCE RATINGS

YGFC | STANDARD | CB | 4 ROWS | 2 PIPE

Model	Speed	ESP	Air Flow	Capacity		Air Off FCU		Water Flow	Water Pressure	Power Input
		Pa	m³/h	Total kW	Sensible kW	DB °C	WB °C	m³/h	kPa	W
YGFC 07 ST CB 4 X G1 X F L	High	0	1203	6.62	4.47	12.0	11.6	1.140	39.8	113
		30	1051	5.92	3.95	11.7	11.3	1.019	33.2	106
		60	857	5.07	3.33	11.3	10.9	0.874	26.3	98
	Medium	0	1036	5.87	3.91	11.7	11.3	1.011	32.8	102
		30	903	5.33	3.52	11.5	11.0	0.918	28.3	96
		60	714	4.26	2.80	11.3	10.9	0.733	20.6	86
	Low	0	806	4.77	3.14	11.3	10.9	0.821	24.1	102
		30	669	4.07	2.66	11.1	10.7	0.701	19.4	94
		60	497	3.32	2.12	10.5	10.2	0.571	15.1	83
YGFC 08 ST CB 4 X G1 X F L	High	0	1538	8.30	5.62	12.1	11.6	1.429	41.1	169
		30	1327	7.42	4.96	11.8	11.3	1.278	35.0	155
		60	1057	6.21	4.08	11.3	10.9	1.069	27.2	145
	Medium	0	1389	7.65	5.13	11.9	11.4	1.318	36.5	148
		30	1189	6.84	4.53	11.6	11.1	1.179	31.1	139
		60	919	5.35	3.53	11.4	11.0	0.922	22.3	129
	Low	0	1105	6.43	4.23	11.4	11.0	1.107	28.5	133
		30	887	5.22	3.43	11.3	10.9	0.899	21.5	125
		60	640	4.18	2.70	10.8	10.4	0.721	16.1	113
YGFC 10 ST CB 4 X G1 X F L	High	0	1742	8.85	6.08	12.4	11.9	1.523	36.7	174
		30	1532	8.09	5.49	12.1	11.6	1.394	30.3	163
		60	1266	7.07	4.70	11.6	11.2	1.217	23.2	148
	Medium	0	1538	8.12	5.51	12.1	11.6	1.399	30.5	167
		30	1355	7.42	4.98	11.8	11.4	1.278	25.4	154
		60	1097	6.34	4.17	11.4	10.9	1.091	19.0	138
	Low	0	1160	6.63	4.38	11.4	11.0	1.142	20.6	161
		30	991	5.86	3.83	11.2	10.8	1.009	16.8	146
		60	773	4.88	3.15	10.8	10.4	0.841	13.2	130
YGFC 12 ST CB 4 X G1 X F L	High	0	2203	11.49	7.80	12.2	11.7	1.979	50.0	239
		30	1931	10.41	6.96	11.9	11.4	1.793	44.0	224
		60	1585	9.00	5.95	11.5	11.1	1.550	36.0	205
	Medium	0	1835	9.97	6.68	11.9	11.4	1.716	41.6	221
		30	1596	9.17	6.06	11.5	11.1	1.579	37.0	205
		60	1276	7.62	4.96	11.1	10.7	1.312	27.9	184
	Low	0	1363	8.01	5.24	11.2	10.8	1.380	30.2	190
		30	1146	6.98	4.52	10.9	10.5	1.203	24.1	177
		60	874	5.85	3.72	10.5	10.1	1.014	17.3	158
YGFC 14 ST CB 4 X G1 X F L	High	0	2637	14.05	9.49	12.2	11.6	2.420	76.5	301
		30	2313	12.69	8.46	11.8	11.4	2.185	68.0	285
		60	1888	11.04	7.22	11.3	10.9	1.901	58.0	265
	Medium	0	2353	12.90	8.60	11.8	11.4	2.221	69.2	274
		30	2045	11.84	7.77	11.4	11.0	2.038	62.9	256
		60	1626	9.88	6.38	10.9	10.5	1.701	47.6	233
	Low	0	1734	10.37	6.73	11.1	10.7	1.786	51.8	231
		30	1464	9.08	5.83	10.7	10.3	1.564	41.0	211
		60	1107	7.31	4.64	10.5	10.1	1.275	29.7	188

Note: Following continuous improvement, data is subjected to change without prior notice. The 60 Hz ratings can be generated from Software.

Calculation based upon 0 Pa ESP. Also Applies to VE & VC Range

Air Conditions : EDB / EWB 24/18°C
 Fin Material / Protection : Aluminium / None

Water Conditions : EWT / LWT 7 / 12°C
 Power Supply: 220V/1Ph./50Hz. delta T 5 °C

Capacity Ratings

PERFORMANCE RATINGS

YGFC | STANDARD | CE | 3 ROWS | 2 PIPE

Model	Speed	Air Flow	Capacity		Air Off FCU		Water Flow	Water Pressure	Power Input
			Total	Sensible	DB	WB			
		m³/h	kW	kW	°C	°C	m³/h	kPa	W
YGFC 02 ST CE 3 X F1 X A5 L	High	419	2.11	1.49	13.5	12.7	0.363	12.9	41
	Medium	393	2.00	1.41	13.4	12.6	0.344	12.4	39
	Low	286	1.56	1.09	12.7	12.2	0.269	10.0	31
YGFC 03 ST CE 3 X F1 X A5 L	High	541	3.22	2.11	12.4	11.6	0.554	30.2	54
	Medium	508	3.02	1.99	12.4	11.6	0.521	27.4	51
	Low	363	2.32	1.51	11.6	11.0	0.400	20.5	40
YGFC 04 ST CE 3 X F1 X A5 L	High	700	3.69	2.52	13.3	12.4	0.635	14.7	77
	Medium	644	3.47	2.37	13.1	12.3	0.598	12.1	68
	Low	486	2.71	1.85	12.7	12.0	0.467	9.2	55
YGFC 05 ST CE 3 X F1 X A5 L	High	857	4.58	3.09	13.3	12.3	0.788	19.5	105
	Medium	835	4.42	3.00	13.3	12.4	0.762	18.1	101
	Low	600	3.47	2.33	12.5	11.8	0.598	12.9	81
YGFC 06 ST CE 3 X F1 X A5 L	High	1028	5.37	3.66	13.4	12.5	0.924	25.4	116
	Medium	971	5.10	3.48	13.4	12.4	0.879	24.2	105
	Low	798	4.43	3.00	12.8	12.1	0.764	19.1	81
YGFC 07 ST CE 3 X F1 X A5 L	High	1296	6.31	4.41	13.9	12.9	1.087	19.2	159
	Medium	1209	5.94	4.16	13.8	12.8	1.022	18.1	152
	Low	998	5.13	3.58	13.4	12.6	0.883	15.3	138
YGFC 08 ST CE 3 X F1 X A5 L	High	1329	6.69	4.63	13.7	12.7	1.151	23.4	147
	Medium	1266	6.40	4.44	13.6	12.7	1.102	21.0	141
	Low	952	5.23	3.58	12.8	12.1	0.900	16.4	119
YGFC 10 ST CE 3 X F1 X A5 L	High	1605	7.45	5.30	14.2	13.1	1.284	10.8	228
	Medium	1538	7.11	5.09	14.2	13.2	1.224	9.8	220
	Low	1196	5.94	4.20	13.6	12.8	1.023	7.8	192
YGFC 12 ST CE 3 X F1 X A5 L	High	1821	8.71	6.13	14.0	13.0	1.499	15.1	244
	Medium	1723	8.33	5.86	13.9	12.9	1.434	14.4	228
	Low	1488	7.53	5.25	13.5	12.7	1.296	12.6	168
YGFC 14 ST CE 3 X F1 X A5 L	High	2292	11.67	7.95	13.7	12.6	2.009	28.2	277
	Medium	2203	11.09	7.61	13.7	12.7	1.910	27.0	270
	Low	1811	9.66	6.57	13.2	12.3	1.663	20.6	251

Note: Following continuous improvement, data is subjected to change without prior notice. The 60 Hz ratings can be generated from Software.

Calculation based upon 0 Pa ESP. Also Applies to VE & VC Range

Air Conditions : EDB / EWB 24/18°C
 Fin Material / Protection : Aluminium / None

Water Conditions : EWT / LWT 7 / 12°C
 Power Supply: 220V/1Ph./50Hz. delta T 9 °C

Capacity Ratings

PERFORMANCE RATINGS

YGFC | STANDARD | CE | 4 ROWS | 2 PIPE

Model YGFC	Speed	Air Flow	Capacity		Air Off FCU		Water Flow	Water Pressure	Power Input
			Total	Sensible	DB	WB			
		m³/h	kW	kW	°C	°C	m³/h	kPa	W
02 ST CE 4 X F1 A5 L	High	394	2.53	1.65	11.6	11.0	0.436	17.5	41
	Medium	370	2.40	1.56	11.5	10.9	0.413	15.4	39
	Low	269	1.83	1.18	11.0	10.5	0.315	10.2	31
03 ST CE 4 X F1 A5 L	High		3.00	2.02	12.5	11.8	0.516	10.1	54
	Medium	488	2.86	1.92	12.3	11.7	0.492	8.4	51
	Low	358	2.22	1.48	11.7	11.3	0.383	5.9	41
04 ST CE 4 X F1 A5 L	High	667	3.74	2.54	12.7	12.0	0.644	14.8	76
	Medium	634	3.58	2.43	12.6	12.0	0.617	14.1	72
	Low	461	2.81	1.88	11.9	11.4	0.484	8.7	59
05 ST CE 4 X F1 A5 L	High	836	4.68	3.15	12.8	12.0	0.805	10.7	104
	Medium	817	4.52	3.06	12.9	12.1	0.778	9.6	102
	Low	607	3.58	2.40	12.2	11.7	0.616	6.2	88
06 ST CE 4 X F1 A5 L	High	985	5.70	3.80	12.6	11.8	0.982	17.9	114
	Medium	933	5.47	3.63	12.4	11.7	0.943	16.5	102
	Low	775	4.80	3.16	11.9	11.3	0.827	13.0	80
07 ST CE 4 X F1 A5 L	High	1232	6.89	4.64	12.8	12.0	1.187	13.9	156
	Medium	1170	6.56	4.43	12.8	12.0	1.129	11.1	150
	Low	993	5.75	3.87	12.4	11.8	0.991	8.6	138
08 ST CE 4 X F1 A5 L	High	1298	7.79	5.12	12.3	11.5	1.342	25.9	146
	Medium	1246	7.58	4.96	12.2	11.4	1.305	24.5	140
	Low	953	6.11	3.98	11.6	11.0	1.051	18.0	120
10 ST CE 4 X F1 A5 L	High	1541	9.09	5.97	12.5	11.7	1.565	35.5	204
	Medium	1488	8.89	5.83	12.4	11.6	1.531	33.6	198
	Low	1172	7.45	4.84	11.7	11.1	1.284	23.6	178
12 ST CE 4 X F1 A5 L	High	1756	9.82	6.60	12.9	12.0	1.691	12.0	220
	Medium	1661	9.30	6.27	12.8	12.0	1.601	9.8	208
	Low	1453	8.34	5.61	12.5	11.8	1.437	9.1	160
14 ST CE 4 X F1 A5 L	High	2134	12.09	8.07	12.8	11.9	2.083	22.5	275
	Medium	2050	11.45	7.70	12.8	12.0	1.972	20.3	267
	Low	1702	10.14	6.72	12.3	11.6	1.745	15.9	246

Note: Following continuous improvement, data is subjected to change without prior notice. The 60 Hz ratings can be generated from Software.

NOTE : Calculation based upon 0 Pa ESP. Also Applies to VE & VC Range

Air Conditions : EDB / EWB 24/18°C

Fin Material / Protection : Aluminium / None

Water Conditions : EWT / LWT 7 / 12°C

Power Supply: 220V/1Ph./50Hz. delta T 5 °C

Capacity Ratings

PERFORMANCE RATINGS

YGFC | STANDARD | CB | A (3+1) ROWS | 4 PIPE

Model	Speed	ESP	Air Flow	Capacity		Air Off FCU		Water	Water	Power	Noise	Heating	LDBT	Water	Water
		Pa	dry	Total	Sensible	DB	WB	Flow	Pressure	Input		Capacity	°C	Flow	Pressure
				kW	kW	°C	°C	m³/h	kPa	W	dB(A)	kW	°C	m³/h	kPa
YGFC 02 ST CB A X G1 X F L	High	0	424	2.03	1.45	13.0	12.5	0.350	26.9	43	39.0	3.59	47.1	0.309	70.9
		30	340	1.70	1.19	12.6	12.1	0.293	21.2	41	38.5	3.17	50.5	0.273	66.4
		60	243	1.34	0.91	12.0	11.6	0.231	14.5	38	40.3	2.54	53.7	0.218	37.3
	Medium	0	374	1.85	1.30	12.8	12.3	0.318	23.4	39	36.0	3.35	48.9	0.288	62.3
		30	287	1.53	1.05	12.3	11.8	0.264	16.8	37	37.0	2.85	51.8	0.245	55.2
		60	198	1.12	0.75	11.8	11.4	0.193	11.4	33	39.0	2.14	54.9	0.184	28.0
	Low	0	274	1.46	1.00	12.2	11.8	0.252	15.5	32	28.0	2.76	52.5	0.238	43.6
		30	183	1.03	0.69	11.8	11.4	0.178	9.9	30	31.6	1.99	55.0	0.171	24.7
		60	110	0.66	0.43	11.3	10.9	0.114	7.1	28	36.2	1.03	50.0	0.088	10.0
YGFC 03 ST CB A X G1 X F L	High	0	620	2.86	2.06	13.2	12.7	0.492	30.1	58	39.5	4.68	44.6	0.403	27.6
		30	485	2.48	1.74	12.7	12.2	0.427	24.8	54	40.3	4.14	46.8	0.356	22.3
		60	366	1.94	1.32	12.2	11.8	0.333	16.6	51	41.5	3.36	49.9	0.289	15.4
	Medium	0	544	2.59	1.85	13.0	12.5	0.447	26.2	52	36.0	4.33	45.9	0.373	24.1
		30	413	2.20	1.52	12.4	12.0	0.379	19.4	49	38.0	3.76	48.7	0.324	18.8
		60	289	1.57	1.07	12.0	11.6	0.271	11.4	45	41.0	2.92	52.9	0.252	12.1
	Low	0	423	2.18	1.50	12.4	12.0	0.375	19.2	43	29.1	3.79	49.2	0.326	19.1
		30	288	1.61	1.08	11.8	11.4	0.277	10.8	41	34.1	2.95	53.3	0.254	12.2
		60	174	1.08	0.71	11.4	11.0	0.186	8.3	37	38.1	1.87	52.9	0.161	5.4
YGFC 04 ST CB A X G1 X F L	High	0	691	3.19	2.30	13.2	12.7	0.549	29.2	61	43.0	5.93	47.9	0.511	35.1
		30	565	2.88	2.00	12.5	12.1	0.495	26.1	58	42.0	5.15	49.6	0.444	29.6
		60	420	2.24	1.53	12.2	11.7	0.385	18.2	53	43.0	4.18	52.4	0.360	19.0
	Medium	0	608	2.93	2.08	12.9	12.4	0.505	26.1	56	41.0	5.48	49.3	0.472	30.3
		30	482	2.53	1.75	12.4	12.0	0.435	21.7	53	41.0	4.75	51.5	0.409	26.4
		60	345	1.92	1.29	11.8	11.4	0.330	15.3	48	43.0	3.50	53.0	0.301	14.6
	Low	0	489	2.56	1.76	12.3	11.9	0.440	22.3	48	35.8	4.71	51.4	0.406	23.3
		30	360	2.04	1.36	11.7	11.3	0.351	16.3	45	37.5	3.65	53.0	0.314	15.5
		60	236	1.44	0.94	11.1	10.7	0.247	11.4	41	41.1	2.16	49.7	0.186	9.0
YGFC 05 ST CB A X G1 X F L	High	0	874	4.00	2.87	13.2	12.6	0.689	26.8	84	47.5	7.08	46.6	0.609	48.6
		30	747	3.59	2.53	12.8	12.3	0.618	23.8	80	45.5	6.21	47.5	0.535	43.0
		60	616	3.14	2.17	12.4	12.0	0.541	20.4	73	46.5	5.46	49.2	0.470	31.0
	Medium	0	768	3.65	2.59	12.9	12.4	0.629	24.7	80	45.0	6.48	47.8	0.558	41.6
		30	656	3.32	2.31	12.6	12.1	0.572	22.4	74	44.5	5.93	49.3	0.511	38.9
		60	526	2.80	1.90	12.1	11.6	0.483	18.2	67	45.5	4.73	49.6	0.408	24.4
	Low	0	624	3.12	2.17	12.6	12.1	0.538	20.4	87	36.8	5.51	49.1	0.475	31.5
		30	507	2.68	1.82	12.2	11.7	0.461	16.8	81	38.9	4.55	49.5	0.391	22.9
		60	395	2.21	1.47	11.7	11.3	0.380	13.3	73	42.6	3.35	47.9	0.288	14.0
YGFC 06 ST CB A X G1 X F L	High	0	1162	5.08	3.72	13.5	12.9	0.875	35.8	122	49.5	7.95	42.4	0.685	64.8
		30	1025	4.70	3.38	13.2	12.7	0.810	31.7	115	47.0	7.30	43.3	0.629	59.4
		60	843	4.09	2.82	12.5	12.0	0.704	26.0	105	47.5	6.50	46.6	0.559	45.7
	Medium	0	999	4.64	3.34	13.3	12.7	0.799	31.1	113	46.0	7.27	43.3	0.626	55.3
		30	878	4.22	2.97	12.8	12.3	0.727	27.1	106	45.0	6.78	45.5	0.584	52.7
		60	692	3.55	2.43	12.3	11.9	0.610	21.7	95	45.5	5.59	46.8	0.481	36.0
	Low	0	719	3.76	2.63	12.7	12.2	0.648	23.3	96	39.2	5.77	44.8	0.497	37.7
		30	602	3.35	2.28	12.2	11.7	0.576	20.3	89	39.4	4.96	45.8	0.427	30.1
		60	465	2.73	1.82	11.7	11.3	0.470	16.8	79	42.7	3.76	45.4	0.324	21.1

Note: Following continuous improvement, data is subjected to change without prior notice. The 60 Hz ratings can be generated from Software.

Air Conditions :	Cooling	Heating	Water Conditions :	Cooling	Heating	Heating	
	EDB/EWB	24/18°C	20°C	EWT/LWT	7/12°C	20°C	70/60°C
Fin material / protection :	Aluminium	/ none	Power Supply:	220V/1Ph./50Hz.	delta T	5°C	10°C

Capacity Ratings

PERFORMANCE RATINGS

YGFC | STANDARD | CB | A (3+1) ROWS | 4 PIPE

Model	Speed	ESP Pa	Air Flow dry m³/h	Capacity		Air Off FCU		Water Flow m³/h	Water Pressure kPa	Power Input W	Noise dB(A)	Heating Capacity kW	LDBT °C	Water Flow m³/h	Water Pressure kPa
				Total	Sensible	DB	WB								
				kW	kW	°C	°C								
YGFC 07 ST CB A X G1 X F L	High	0	1203	5.32	3.92	13.5	13.0	0.916	24.4	113	49.3	8.60	43.0	0.741	36.1
		30	1051	4.81	3.47	13.2	12.7	0.827	20.6	106	47.0	8.01	44.9	0.689	31.8
		60	857	4.14	2.93	12.9	12.4	0.712	17.0	98	47.2	7.09	46.9	0.610	25.7
	Medium	0	1036	4.71	3.42	13.3	12.7	0.812	19.8	102	47.0	7.94	44.9	0.683	31.4
		30	903	4.35	3.10	13.0	12.5	0.749	17.6	96	45.0	7.36	46.2	0.634	27.5
		60	714	3.60	2.51	12.6	12.1	0.619	13.6	86	46.0	6.37	49.0	0.548	21.3
	Low	0	806	3.93	2.78	12.8	12.3	0.677	15.2	102	37.8	6.89	47.8	0.593	24.4
		30	669	3.44	2.38	12.4	12.0	0.592	13.1	94	39.8	6.10	49.6	0.525	19.7
		60	497	2.62	1.82	12.4	12.0	0.451	9.4	83	43.0	4.85	50.8	0.418	13.1
YGFC 08 ST CB A X G1 X F L	High	0	1538	6.79	4.97	13.5	12.9	1.170	35.5	169	50.0	10.37	42.0	0.893	51.9
		30	1327	6.12	4.40	13.2	12.6	1.055	29.9	155	47.5	9.46	43.3	0.815	44.2
		60	1057	5.17	3.63	12.7	12.2	0.891	22.9	145	47.2	8.05	45.1	0.693	33.3
	Medium	0	1389	6.28	4.54	13.2	12.7	1.081	31.2	148	47.0	9.73	43.1	0.838	46.5
		30	1189	5.66	4.03	13.0	12.5	0.975	26.3	139	46.5	8.80	44.1	0.758	38.9
		60	919	4.67	3.23	12.4	12.0	0.804	19.6	129	46.5	7.24	45.9	0.624	27.7
	Low	0	1105	5.44	3.80	12.7	12.2	0.936	24.8	133	41.5	8.35	44.9	0.719	35.6
		30	887	4.57	3.14	12.3	11.9	0.787	18.9	125	40.6	7.03	46.1	0.605	26.3
		60	640	3.58	2.43	12.1	11.6	0.616	13.1	113	43.4	5.08	44.9	0.437	14.7
YGFC 10 ST CB A X G1 X F L	High	0	1742	7.20	5.38	13.7	13.2	1.239	31.4	174	50.5	12.71	44.3	1.095	71.4
		30	1532	6.55	4.83	13.5	13.0	1.128	27.1	163	48.5	11.48	44.9	0.988	62.8
		60	1266	5.73	4.13	13.2	12.7	0.986	22.1	148	48.5	10.00	46.3	0.861	46.5
	Medium	0	1538	6.53	4.83	13.6	13.0	1.124	27.2	167	48.5	11.65	45.2	1.003	60.8
		30	1355	6.03	4.38	13.3	12.8	1.038	24.2	154	47.0	10.76	46.3	0.927	55.9
		60	1097	5.17	3.67	12.9	12.4	0.891	19.1	138	47.5	8.79	46.7	0.757	37.7
	Low	0	1160	5.36	3.83	13.0	12.5	0.923	20.4	161	39.4	9.27	46.6	0.798	40.9
		30	991	4.77	3.36	12.7	12.3	0.821	17.1	146	42.4	7.93	46.6	0.683	32.3
		60	773	3.97	2.75	12.4	12.0	0.684	13.3	130	45.8	5.79	44.3	0.498	22.0
YGFC 12 ST CB A X G1 X F L	High	0	2203	8.79	6.66	13.9	13.3	1.514	35.6	239	52.2	14.30	41.6	1.231	51.6
		30	1931	8.19	6.02	13.5	13.0	1.410	31.7	224	51.0	13.39	43.4	1.153	46.0
		60	1585	7.23	5.19	13.1	12.6	1.246	25.8	205	49.8	12.03	45.3	1.036	38.2
	Medium	0	1835	7.74	5.75	13.6	13.0	1.333	29.1	221	48.5	13.07	43.7	1.125	44.0
		30	1596	7.20	5.22	13.2	12.7	1.240	25.8	205	48.0	12.15	45.0	1.046	38.7
		60	1276	6.16	4.33	12.7	12.2	1.061	19.9	184	47.7	10.68	47.8	0.919	30.9
	Low	0	1363	6.26	4.49	13.0	12.6	1.077	20.4	190	39.6	11.10	47.1	0.956	33.1
		30	1146	5.61	3.92	12.6	12.2	0.966	16.9	177	41.2	9.97	48.9	0.858	27.4
		60	874	4.65	3.21	12.4	11.9	0.801	11.8	158	44.1	8.21	49.8	0.707	19.5
YGFC 14 ST CB A X G1 X F L	High	0	2637	10.54	8.02	14.0	13.4	1.815	36.1	301	54.0	17.03	41.2	1.466	74.2
		30	2313	9.67	7.20	13.7	13.1	1.666	31.7	285	52.5	15.97	43.0	1.375	66.3
		60	1888	8.45	6.12	13.2	12.7	1.455	25.7	265	51.0	14.33	45.3	1.234	54.8
	Medium	0	2353	9.69	7.26	13.7	13.2	1.669	31.9	274	51.5	16.11	42.8	1.387	67.3
		30	2045	8.90	6.53	13.4	12.9	1.533	27.9	256	50.0	14.97	44.2	1.289	59.2
		60	1626	7.52	5.38	13.0	12.5	1.296	21.3	233	50.0	13.14	46.9	1.131	47.1
	Low	0	1734	7.93	5.69	13.1	12.6	1.366	23.4	231	43.8	13.64	46.2	1.175	50.3
		30	1464	7.07	4.97	12.7	12.2	1.217	19.2	211	43.8	12.33	48.0	1.061	42.1
		60	1107	5.79	4.00	12.4	11.9	0.998	13.2	188	46.8	10.21	49.8	0.879	30.3

Note: Following continuous improvement, data is subjected to change without prior notice. The 60 Hz ratings can be generated from Software

Air Conditions :	Cooling	Heating	Water Conditions :	Cooling	Heating
	EDB/EWB 24/18°C	20°C		EWT/LWT 7/12°C	70/60°C
Fin material / protection :	Aluminium / none		Power Supply: 220V/1Ph./50Hz.	delta T 5°C	10°C

Capacity Ratings

PERFORMANCE RATINGS

YGFC | STANDARD | CE | A (3+1) ROWS | 4 PIPE

Model	Speed	Air Flow	Cooling Capacity		Air Off FCU		Water Flow	Water Pressure	Power Input	Heating Capacity	LDBT	Water Flow	Water Pressure
			Total	Sensible	DB	WB							
			m³/h	kW	kW	°C							
YGFC 02 ST CE A X F1 X A5 L	High	394	1.91	1.34	14.0	12.9	0.330	10.9	41	2.22	36.7	0.191	8.4
	Medium	370	1.82	1.27	13.8	12.8	0.313	10.4	39	2.17	37.4	0.187	7.9
	Low	269	1.43	0.98	13.2	12.3	0.247	8.6	31	1.88	40.7	0.162	6.1
YGFC 03 ST CE A X F1 X A5 L	High	520	2.99	1.93	13.0	11.8	0.515	26.3	54	2.86	36.3	0.246	13.9
	Medium	488	2.81	1.83	12.9	11.8	0.485	24.0	51	2.77	36.8	0.239	13.2
	Low	358	2.21	1.42	12.2	11.3	0.380	18.7	41	2.41	40.0	0.207	10.2
YGFC 04 ST CE A X F1 X A5 L	High	667	3.35	2.27	13.9	12.7	0.577	12.4	76	3.61	36.1	0.311	22.8
	Medium	634	3.24	2.19	13.8	12.6	0.558	10.7	72	3.46	36.2	0.298	21.1
	Low	461	2.49	1.68	13.2	12.3	0.429	7.9	59	2.95	39.0	0.254	15.7
YGFC 05 ST CE A X F1 X A5 L	High	836	4.26	2.84	13.9	12.6	0.733	17.1	104	4.52	36.0	0.389	36.1
	Medium	817	4.14	2.77	13.9	12.7	0.713	16.0	102	4.27	35.5	0.368	32.5
	Low	607	3.32	2.21	13.2	12.2	0.572	12.0	88	3.58	37.5	0.308	23.4
YGFC 06 ST CE A X F1 X A5 L	High	985	5.02	3.35	13.9	12.6	0.864	22.5	114	5.53	36.7	0.476	56.7
	Medium	933	4.78	3.20	13.8	12.6	0.824	21.5	102	5.37	37.1	0.462	53.6
	Low	775	4.16	2.77	13.4	12.3	0.717	17.0	80	4.50	37.2	0.387	38.6
YGFC 07 ST CE A X F1 X A5 L	High	1232	5.79	3.99	14.4	13.1	0.997	16.5	156	7.03	36.9	0.606	98.1
	Medium	1170	5.52	3.82	14.3	13.1	0.950	15.9	150	6.81	37.3	0.587	92.4
	Low	993	4.87	3.36	14.0	12.8	0.839	14.0	138	5.94	37.7	0.511	71.4
YGFC 08 ST CE A X F1 X A5 L	High	1298	6.32	4.30	14.2	12.9	1.089	21.2	146	7.73	37.7	0.666	122.6
	Medium	1246	6.05	4.14	14.1	12.9	1.043	19.0	140	7.57	38.0	0.651	117.6
	Low	953	5.01	3.39	13.5	12.4	0.863	15.2	120	6.62	40.6	0.570	91.6
YGFC 10 ST CE A X F1 X A5 L	High	1541	6.74	4.77	14.8	13.5	1.161	9.1	204	7.63	34.7	0.657	19.8
	Medium	1488	6.48	4.61	14.8	13.5	1.115	8.4	198	7.24	34.4	0.623	18.0
	Low	1172	5.52	3.88	14.2	13.1	0.950	7.0	178	6.13	35.5	0.528	13.4
YGFC 12 ST CE A X F1 X A5 L	High	1756	8.06	5.59	14.6	13.2	1.388	13.3	220	9.15	35.5	0.788	29.6
	Medium	1661	7.72	5.35	14.4	13.1	1.329	12.7	208	8.98	36.1	0.773	28.6
	Low	1453	7.02	4.84	14.1	12.9	1.209	11.2	160	7.22	34.7	0.621	19.2
YGFC 14 ST CE A X F1 X A5 L	High	2134	10.67	7.11	14.1	12.7	1.837	24.1	275	11.46	35.9	0.986	49.3
	Medium	2050	10.15	6.82	14.1	12.8	1.747	23.1	267	11.04	36.0	0.951	46.0
	Low	1702	8.82	5.92	13.7	12.5	1.519	17.6	246	9.18	36.0	0.790	32.8

Note: Following continuous improvement, data is subjected to change without prior notice. The 60 Hz ratings can be generated from Software.

Calculation based upon 0 Pa ESP. Also Applies to VE & VC Range

Cooling
Air Conditions : EDB/EWB 24/18°C
Fin material / protection : Aluminium / none

Heating
20°C

Water Conditions :
Power Supply: 220V/1Ph./50Hz.

Cooling
EWT/LWT 7/12°C
delta T 5°C

Heating
70/6 0°C
10°C

Sound Data

SOUND POWER LEVEL

FOLLOWS JB STANDARD JB/T 4330 - 1999

Model	Speed	ESP	125	250	500	1000	2000	4000	8000	dB(A)
		Pa								
YGFC 02	High	0	29.9	43.4	45.3	48.1	44.7	34.0	29.3	51.9
		30	36.6	40.8	44.5	47.4	44.0	35.6	35.4	51.2
		60	38.2	43.5	46.2	48.7	45.3	36.6	35.2	52.7
	Medium	0	26.3	39.7	42.6	44.5	41.2	31.1	28.0	48.5
		30	34.1	38.9	43.0	44.8	41.5	34.8	35.1	49.1
		60	37.2	41.6	45.3	47.3	44.0	36.0	35.5	51.5
	Low	0	21.4	34.4	36.5	37.5	33.9	30.7	29.5	42.5
		30	31.5	36.2	39.3	40.9	36.5	30.3	29.0	45.1
		60	35.6	40.0	43.0	45.4	41.5	32.0	29.2	49.3
YGFC 03	High	0	29.5	42.0	45.5	48.5	44.9	33.7	28.7	52.0
		30	37.9	42.7	46.8	48.7	46.1	32.9	26.5	52.7
		60	39.3	45.6	47.5	50.2	47.7	34.5	27.4	54.3
	Medium	0	28.2	39.2	43.1	45.0	41.1	31.3	28.2	48.8
		30	35.2	40.1	44.4	46.7	43.2	32.4	28.6	50.5
		60	38.3	44.6	46.9	48.6	46.1	33.4	26.6	53.0
	Low	0	23.4	33.8	37.3	37.4	33.5	30.3	28.5	42.5
		30	31.8	39.2	41.6	42.8	39.3	31.3	28.9	47.3
		60	36.1	42.9	45.3	46.7	43.2	30.7	25.6	51.0
YGFC 04	High	0	34.9	47.4	50.2	53.1	51.4	40.1	34.7	57.2
		30	40.0	44.5	49.0	52.0	50.6	38.3	30.4	56.0
		60	41.5	47.2	51.2	52.6	51.6	39.7	32.7	57.3
	Medium	0	32.3	44.9	48.3	50.3	48.0	35.8	28.6	54.4
		30	37.8	42.9	48.1	49.7	48.6	35.4	29.1	54.1
		60	38.9	45.0	49.4	51.4	50.1	37.3	30.6	55.7
	Low	0	28.3	40.2	44.2	44.4	41.7	29.7	26.3	49.1
		30	35.1	39.9	45.4	46.6	45.1	31.7	27.5	51.0
		60	38.6	44.9	48.5	49.7	47.7	35.1	29.1	54.3
YGFC 05	High	0	38.4	51.5	53.8	56.3	54.3	44.3	36.0	60.4
		30	42.8	49.1	54.1	55.7	53.7	43.6	35.7	59.9
		60	44.0	50.8	54.8	56.1	54.2	43.5	35.6	60.6
	Medium	0	35.0	46.9	50.4	52.7	50.1	39.6	31.5	56.7
		30	39.8	47.0	51.7	52.8	50.6	39.8	31.8	57.2
		60	42.1	49.2	52.7	54.8	52.3	41.2	33.4	58.8
	Low	0	26.2	39.4	43.1	44.3	40.0	29.0	25.7	48.3
		30	34.0	42.2	46.5	47.3	44.2	32.1	26.9	51.6
		60	38.8	45.4	49.0	50.1	47.5	35.4	28.5	54.6
YGFC 06	High	0	40.8	53.7	55.1	57.1	55.7	49.6	40.6	61.9
		30	43.4	49.7	53.0	56.4	54.5	47.7	37.6	60.4
		60	44.2	49.9	53.0	55.9	53.7	46.7	35.9	60.0
	Medium	0	36.3	51.8	51.6	53.2	51.4	44.1	36.1	58.4
		30	40.1	47.2	51.0	53.6	51.5	43.7	33.4	57.7
		60	42.4	48.8	51.0	54.0	52.0	43.9	33.7	58.1
	Low	0	31.1	43.5	46.1	46.5	43.1	33.3	27.3	51.2
		30	36.2	43.7	46.8	48.8	46.0	35.8	28.2	53.0
		60	40.6	46.5	48.8	51.0	48.0	39.5	29.8	55.2

Note: Following continuous improvement, data is subjected to change without prior notice. The 60 Hz ratings can be generated from Software.

Sound Data

SOUND POWER LEVEL

FOLLOWS JB STANDARD JB/T 4330 - 1999

Model	Speed	ESP	125	250	500	1000	2000	4000	8000	dB(A)
		Pa								
YGFC 07	High	0	41.9	54.0	56.3	58.1	56.6	48.4	41.6	62.7
		30	45.4	51.3	53.7	57.0	55.4	47.6	41.4	61.3
		60	47.0	50.7	53.4	56.6	54.7	46.6	40.4	60.8
	Medium	0	38.6	53.5	51.2	54.4	52.5	44.1	36.7	59.2
		30	42.7	47.9	50.9	54.2	52.4	43.5	37.4	58.2
		60	43.3	49.1	50.9	54.4	52.0	43.3	37.2	58.4
	Low	0	31.2	43.9	44.7	46.2	43.7	34.5	33.6	51.0
		30	37.7	43.3	45.1	46.6	44.9	34.9	33.1	51.5
		60	40.3	45.3	47.8	50.7	48.0	37.7	34.2	54.6
YGFC 08	High	0	39.5	52.9	55.2	58.5	57.4	49.3	42.3	62.8
		30	45.3	49.4	53.4	57.5	56.1	47.6	41.1	61.4
		60	44.8	49.4	53.0	56.6	54.8	46.3	39.6	60.6
	Medium	0	38.7	50.5	52.8	56.2	54.8	46.0	39.4	60.3
		30	43.4	47.7	51.8	54.9	53.5	44.7	38.5	59.0
		60	43.1	48.3	51.4	55.1	53.1	43.9	37.5	58.9
	Low	0	31.9	43.3	47.1	48.4	46.5	36.9	34.3	52.9
		30	37.5	42.4	47.4	49.2	47.2	37.4	34.7	53.5
		60	42.3	45.8	50.1	51.4	49.4	39.9	35.5	56.0
YGFC 10	High	0	40.9	53.3	56.6	59.3	58.2	49.7	42.7	63.6
		30	46.5	50.7	54.2	57.5	56.5	47.2	40.0	61.8
		60	45.6	50.6	54.3	57.5	55.9	46.0	39.7	61.6
	Medium	0	37.3	52.6	53.2	56.1	54.7	45.0	38.3	60.5
		30	43.0	48.6	52.8	55.6	54.5	44.3	37.3	59.8
		60	46.2	50.0	53.2	56.4	55.0	44.8	39.1	60.6
	Low	0	29.9	42.7	46.6	47.6	44.7	35.1	33.7	51.9
		30	38.5	45.0	47.8	50.9	48.8	37.1	30.3	54.8
		60	41.7	48.4	51.5	53.4	51.9	41.2	35.6	57.9
YGFC 12	High	0	42.5	54.8	57.1	60.3	59.1	52.2	44.5	64.6
		30	47.8	52.3	55.1	59.1	58.0	50.3	43.0	63.2
		60	47.9	51.6	54.5	58.1	56.7	48.4	40.9	62.3
	Medium	0	37.8	50.5	53.0	55.9	54.3	45.8	37.1	60.0
		30	43.8	47.8	51.9	55.6	53.7	44.6	37.5	59.4
		60	45.3	49.9	53.0	55.6	53.8	44.5	36.8	59.8
	Low	0	32.1	43.5	47.2	49.0	45.8	35.3	29.2	52.9
		30	40.3	44.1	47.8	50.3	47.9	37.0	30.3	54.3
		60	43.2	47.9	51.1	53.1	50.9	40.5	32.9	57.5
YGFC 14	High	0	45.0	57.7	59.9	61.5	60.7	51.4	43.1	66.4
		30	49.0	54.0	57.3	60.5	59.3	51.6	43.4	64.8
		60	50.0	54.6	56.3	58.7	57.2	47.0	39.0	63.3
	Medium	0	43.7	54.7	57.7	58.7	57.7	47.7	38.8	63.7
		30	47.8	52.0	55.2	57.6	56.6	45.6	37.5	62.1
		60	47.4	52.3	55.5	56.9	55.4	44.6	36.6	61.6
	Low	0	36.3	48.4	51.1	51.4	49.1	37.3	33.1	56.3
		30	43.7	46.3	50.7	52.3	50.5	38.5	33.7	56.8
		60	45.5	49.7	53.4	54.4	51.8	40.7	34.5	59.0

Note: Following continuous improvement, data is subjected to change without prior notice. The 60 Hz ratings can be generated from Software.

Sound Data

SOUND PRESSURE LEVEL

FOLLOWS JB STANDARD JB/T 4330 - 1999

Model	Speed	ESP	125	250	500	1000	2000	4000	8000	dB(A)
		Pa								
YGFC 02	High	0	17.3	30.8	32.0	35.2	32.0	21.3	16.7	39.0
		30	23.8	28.0	31.7	34.8	31.2	22.8	22.7	38.5
		60	25.9	31.2	33.9	36.1	33.0	24.2	22.9	40.3
	Medium	0	13.7	26.9	30.0	32.0	28.9	18.0	15.1	36.0
		30	21.9	26.6	31.0	32.7	29.4	22.6	22.8	37.0
		60	24.6	29.0	32.7	34.8	31.6	23.6	22.8	39.0
	Low	0	6.9	19.9	22.0	23.2	19.5	16.2	15.0	28.0
		30	17.9	22.6	25.7	27.3	22.9	16.7	15.4	31.5
		60	22.5	26.9	29.9	32.3	28.4	18.9	16.1	36.2
YGFC 03	High	0	16.9	29.7	32.9	36.0	32.5	21.3	16.3	39.5
		30	25.6	30.1	34.2	36.2	33.8	20.6	14.2	40.3
		60	26.3	32.8	34.6	37.5	35.1	21.7	14.6	41.5
	Medium	0	15.4	26.3	30.3	32.2	28.1	18.3	15.2	36.0
		30	22.7	27.5	32.0	34.0	31.0	19.9	15.9	38.0
		60	26.6	32.5	35.0	36.5	34.1	21.7	14.9	41.0
	Low	0	10.4	20.8	24.0	24.1	20.2	17.0	15.3	29.2
		30	18.6	26.0	28.3	29.5	26.1	18.1	15.7	34.1
		60	23.3	30.1	32.5	33.8	30.4	17.9	12.8	38.2
YGFC 04	High	0	21.2	33.2	36.2	38.8	37.5	26.0	21.1	43.0
		30	26.1	30.6	35.1	38.1	36.3	24.4	18.0	42.0
		60	27.8	33.5	36.5	38.5	37.1	26.0	19.0	43.0
	Medium	0	19.0	31.5	35.0	37.0	34.3	22.3	15.5	41.0
		30	24.9	30.0	35.2	36.5	35.3	22.5	16.2	41.0
		60	26.0	32.3	36.7	38.7	37.5	24.4	17.7	43.0
	Low	0	15.1	27.0	31.0	31.1	28.3	16.5	13.1	35.8
		30	21.2	26.0	31.9	33.0	31.8	17.9	13.6	37.5
		60	25.0	31.6	35.5	36.5	34.5	21.9	15.8	41.1
YGFC 05	High	0	26.1	39.0	41.0	43.2	41.1	31.5	22.2	47.5
		30	29.2	35.5	39.5	40.5	39.8	30.0	22.1	45.5
		60	30.2	37.0	39.9	42.2	40.4	29.7	22.8	46.5
	Medium	0	23.6	35.5	38.8	41.0	38.5	28.2	20.1	45.0
		30	27.2	34.4	39.0	40.1	38.0	27.3	19.0	44.5
		60	29.2	36.3	39.3	41.2	39.2	28.1	20.2	45.5
	Low	0	15.1	28.1	31.5	33.0	28.2	17.6	14.2	36.8
		30	22.0	30.3	33.5	34.3	31.7	20.0	15.1	38.9
		60	27.0	33.6	37.2	38.1	35.3	23.6	16.7	42.6
YGFC 06	High	0	28.3	41.2	42.6	44.7	43.2	37.1	28.1	49.5
		30	30.1	36.4	39.5	43.1	41.0	34.4	24.3	47.0
		60	31.0	36.9	40.2	43.8	41.0	34.0	22.8	47.5
	Medium	0	23.7	39.2	39.5	40.8	39.2	32.0	23.5	46.0
		30	27.0	34.1	38.9	40.7	38.8	30.6	20.3	45.0
		60	28.1	37.5	39.0	40.8	39.0	31.6	21.4	45.5
	Low	0	18.4	30.8	34.4	35.0	30.4	20.6	14.6	39.3
		30	22.5	30.0	33.1	35.5	32.3	22.1	14.5	39.4
		60	27.6	33.5	36.3	38.8	35.0	26.5	16.8	42.6

Sound Data

SOUND PRESSURE LEVEL

FOLLOWS JB STANDARD JB/T 4330 - 1999

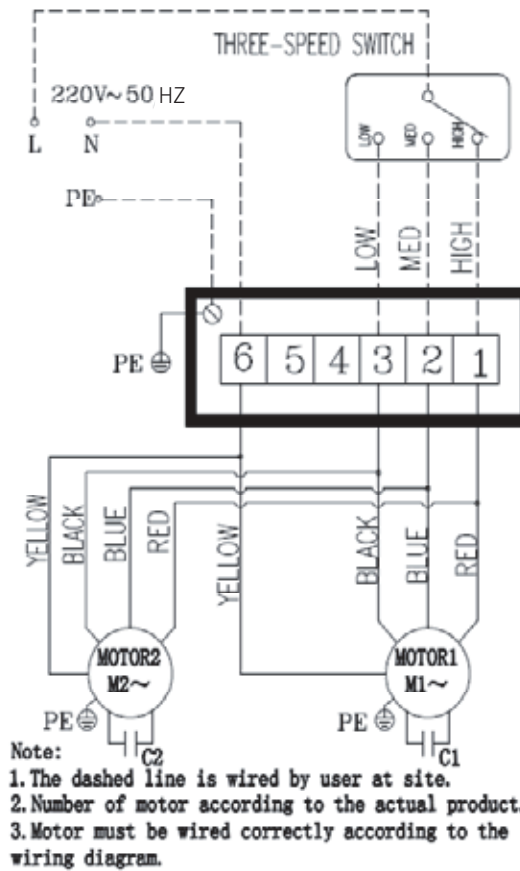
Model	Speed	ESP	125	250	500	1000	2000	4000	8000	dB(A)
		Pa								
YGFC 07	High	0	28.6	40.7	43.0	44.5	43.2	35.1	28.3	49.3
		30	31.6	37.2	39.1	43.0	41.1	33.5	27.6	47.0
		60	31.8	37.5	39.2	43.1	41.5	33.4	27.2	47.2
	Medium	0	26.3	41.3	39.0	42.1	40.1	32.0	24.5	47.0
		30	29.5	35.0	38.0	40.8	39.0	30.5	24.0	45.0
		60	30.9	36.3	38.8	41.9	39.7	30.8	25.1	46.0
	Low	0	18.4	31.1	31.2	33.0	30.3	21.7	20.8	37.8
		30	25.5	31.6	33.6	34.9	33.3	23.0	21.5	39.8
		60	29.0	34.0	36.0	39.0	36.2	26.4	22.9	43.0
YGFC 08	High	0	27.0	40.3	42.6	45.5	44.7	36.7	29.8	50.0
		30	32.0	36.1	39.7	43.7	41.8	34.2	27.8	47.5
		60	32.0	36.2	39.5	43.1	41.6	34.1	26.5	47.2
	Medium	0	26.0	37.5	39.5	42.7	41.6	33.0	26.3	47.0
		30	30.9	35.2	39.3	42.4	41.0	32.2	26.0	46.5
		60	30.7	35.9	39.0	42.7	40.7	31.5	25.1	46.5
	Low	0	20.0	31.4	35.5	37.3	34.8	25.0	22.4	41.4
		30	24.3	29.2	34.6	36.5	34.1	24.2	21.5	40.6
		60	29.5	33.0	37.6	38.9	36.7	27.0	22.7	43.4
YGFC 10	High	0	27.9	40.3	43.5	46.0	45.2	36.7	29.7	50.5
		30	33.3	37.5	41.8	44.0	43.1	34.0	26.8	48.5
		60	33.1	37.1	41.2	44.5	43.0	33.5	27.2	48.5
	Medium	0	25.3	40.6	41.2	44.0	42.7	33.0	26.3	48.5
		30	30.0	35.6	39.8	42.9	41.7	31.3	24.3	47.0
		60	33.3	37.1	40.3	43.1	42.1	31.9	26.2	47.5
	Low	0	17.5	30.3	34.0	35.0	32.1	22.7	21.3	39.4
		30	25.8	32.3	35.3	38.6	36.3	24.4	17.6	42.4
		60	29.4	36.1	39.3	41.5	39.8	28.9	23.3	45.8
YGFC 12	High	0	30.0	42.3	44.7	47.9	46.7	39.7	32.0	52.2
		30	35.4	39.9	42.7	46.8	45.8	37.9	30.6	51.0
		60	35.5	39.2	42.1	45.5	44.3	36.0	28.5	49.8
	Medium	0	25.9	38.6	41.4	44.5	42.7	33.9	25.2	48.5
		30	32.3	36.3	40.4	44.2	42.3	33.1	25.0	48.0
		60	32.7	37.5	40.8	43.5	41.6	32.3	24.2	47.7
	Low	0	19.1	30.0	34.0	35.7	32.1	22.0	16.0	39.6
		30	27.4	31.2	34.7	37.0	34.9	24.1	17.4	41.2
		60	29.9	34.6	37.8	39.7	37.6	27.2	19.6	44.1
YGFC 14	High	0	32.7	45.4	47.6	49.1	48.4	39.1	30.8	54.0
		30	36.7	41.7	45.0	48.2	47.0	39.3	31.1	52.5
		60	37.6	42.2	43.9	46.5	44.8	34.6	26.6	51.0
	Medium	0	31.3	42.3	45.2	46.8	45.8	35.6	26.7	51.5
		30	35.3	39.7	42.9	45.7	44.5	33.0	25.2	50.0
		60	35.5	40.4	44.0	45.3	43.9	32.7	24.7	50.0
	Low	0	23.7	35.8	38.5	38.9	36.6	24.7	20.5	43.8
		30	30.8	33.4	37.8	39.4	37.6	25.6	20.8	43.9
		60	33.3	37.5	41.2	42.2	39.6	28.5	22.3	46.8

Operation & Controls

OPERATIONS & CONTROLS DATA

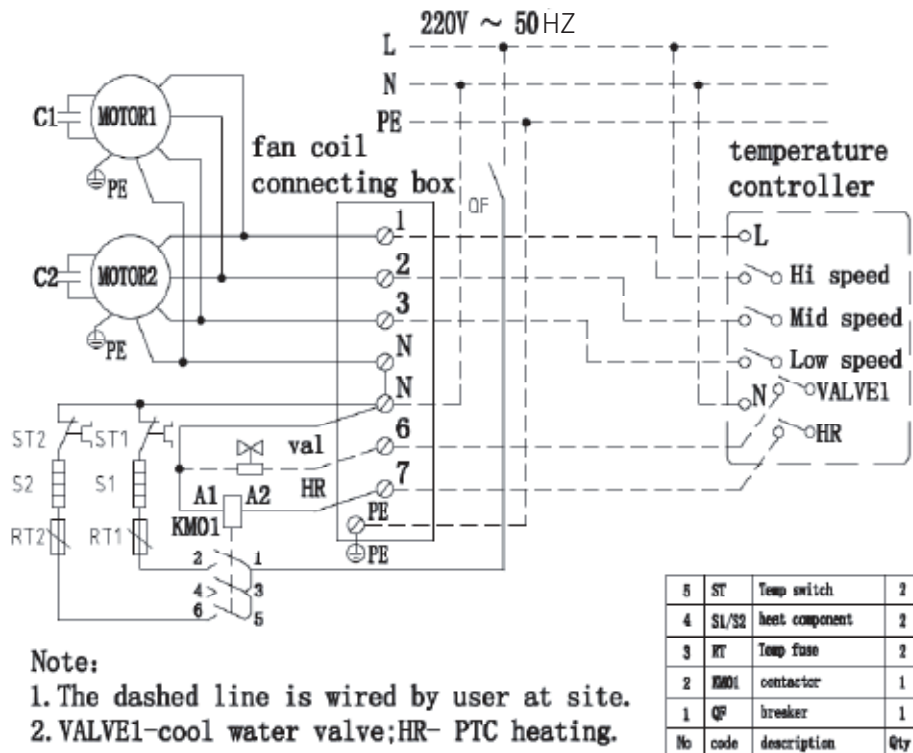
2 PIPE & 4 PIPE SYSTEM

Fig. 1



2 PIPE SYSTEM WITH ELECTRICAL HEATING AND SPECIAL TERMINAL BOX WITH RELAYS AND FUSE

Fig. 2



Operation & Controls

OPERATIONS & CONTROLS DATA

Three speed switch	The unit motor is a single-phase, permanent split capacitor type with the three speeds tapings. High/ Medium/ Low wired to the Terminal Block with colour – coded wires. Terminal 1 – Red – high speed Terminal 2 – Blue – medium speed Terminal 3 – Black – low speed The selector switch on the thermostat selects the desired operating speed.
2 pipe system two port & three port water valves for cooling	The cooling is controlled by either modulating or switching on and off the chilled water supply by means of a electrically operated valve. (Fig. 1)
4 pipe system hot water heating	The 3+1 row configuration can be used for hot water heating. A separate hot water valve is required to be installed on the 1 row heating coil. The mode of switching from cooling to heating can be automatic or manual. (Fig. 1)
2 pipe system hot water heating	The YGFC Type CB units can be provided with one step electrical heater of following capacities : Size 02 to Size 05 – 1000 watts Size 06 to Size 12 – 1500 watts Size 14 – 2000 watts These heaters are provided as an option at extra cost. It is important that electrical heaters are interlocked to ensure that the heating element receives no power supply when the fan is not selected to operate. Heaters are provided with high temperature cut out as standard and are terminated in the terminal box for field wiring. (Fig. 2) The electric heater input power based on the condition: High-speed&OPa, accuracy: ±10%
Special terminal box	A special terminal box equipped with 'Relays' and 'Fuse' can be provided at extra cost. This allows the power for the 'Electrical Haters' to be supplied separately.

Operation & Controls

ELECTRICAL DATA

Power Supply 220 Volt / 1 Phase / 50 Hz					
Model	Maximum Absorbed Power (each) WATT	No. of Motors	F.L.A (A.M.P)	R.C.S mm2	C.B (AMP)
YGFC02	38	1	0.18	0.50	3
YGFC03	52	1	0.24	0.50	3
YGFC04	68	1	0.31	0.50	3
YGFC05	100	1	0.46	0.50	3
YGFC06	114	1	0.52	0.50	3
YGFC07	121	2	0.56	0.50	3
YGFC08	154	2	0.70	0.50	3
YGFC10	176	2	0.80	0.50	3
YGFC12	210	2	0.96	0.50	3
YGFC14	274	2	1.25	0.50	3

Operation & Controls

ELECTRICAL DATA

Power Supply 220 Volt / 1 Phase / 60 Hz					
Model	Maximum Absorbed Power (each) WATT	No. of Motors	F.L.A (A.M.P)	R.C.S mm2	C.B (AMP)
YGFC02	38	1	0.18	0.50	3
YGFC03	52	1	0.24	0.50	3
YGFC04	68	1	0.31	0.50	3
YGFC05	100	1	0.46	0.50	3
YGFC06	114	1	0.52	0.50	3
YGFC07	121	2	0.56	0.50	3
YGFC08	154	2	0.70	0.50	3
YGFC10	176	2	0.80	0.50	3
YGFC12	210	2	0.96	0.50	3
YGFC14	274	2	1.25	0.50	3

Power Supply 127 Volt / 1 Phase / 60 Hz					
Model	Maximum Absorbed Power (each) WATT	No. of Motors	F.L.A (A.M.P)	R.C.S mm2	C.B (AMP)
YGFC02	43	1	0.2	0.50	3
YGFC03	58	1	0.27	0.50	3
YGFC04	80	1	0.37	0.50	3
YGFC05	122	1	0.56	0.50	3
YGFC06	137	1	0.63	0.50	3
YGFC07	150	2	0.68	0.50	3
YGFC08	184	2	0.84	0.50	3
YGFC10	219	2	1	0.50	3
YGFC12	270	2	1.24	0.50	3
YGFC14	349	3	1.6	0.50	3

Motor	The YGFC Fan Coil unit is equipped with three-speed, permanent split capacitor motor
Internal Thermal Overload	All motors are equipped with internal thermal overloads. These thermal overloads are UL Certified components.
Motor Bearing	The motors have permanently lubricated ball bearings as a standard offering.
Insulation	The motors are provided with class B insulation.
Degree of Protection	The degree of protection is specified in accordance with DIN 40050 with publication of the IEC by means of the letter IP (Internal Protection) and a two characteristic numerals as stated in the standard. On the YGFC, IP20 protection is provided as standard. IP23 and IP42 can be provided with options/SQ price add.

Abbreviations :

• FLA : Full Load Ampere (For each motor), • C.B : Circuit Breaker, • R.C.S : Recommended Cable Size, • Motor : Nameplate AMPs may vary

Guide Specifications

GENERAL

Furnish and install fan coil units as indicated and scheduled in the plans. Units shall be factory assembled with coils that are pressure tested individually to 400 psi (2.8 MPa). The fans must be factory run and manufacturer must have a facility to test the capacity of cooling coils at specified entering air conditions and specified chilled water temperature, to assure correct capacity. In addition the test facility shall be suitable to test air capacity at specified external pressure drop at indicated speed setting.

BASIC UNIT

The basic unit shall be fabricated out of 1mm galvanized steel to JIS G 3302 to Z18 or above. The fan motor shall be easily removable for serviceability.

A terminal box with terminal strip shall be provided for terminating the wiring. On ceiling concealed units with plenum, the filter shall be easily removable from either side or the back. Standard filter shall be 6 mm nylon media and an optional filter with 23mm aluminium media shall also be available. Units with powder coating finish shall be available as an option.

COILS

Coils for CB type shall be made out of 7mm OD copper tubes. Aluminium fins shall be 0.110 mm thick and the coil shall have maximum spacing of 1.8 mm between the fins.

The coil shall be pressure tested to 2.8 MPa (for a working pressure of 1.6MPa) and dehydrated before assembly. A manual air vent shall be provided on top of the coil. The coil assembly shall be protected on the side on which piping is to be fitted with a cover made of GI sheet. The metal sheet below the coil shall be powder coated to avoid corrosion.

Aluminium fins with hydrophilic coating or golden epoxy coated fins shall be available as an option.

MOTORS

Motors shall be 3 speed, permanent split capacitor type with Thermal overload protection. Motors shall have permanently lubricated ball bearings. The motors shall have a class B insulation. Standard motor shall be IP20 is totally available on request.

Total enclosed motors shall be available on request (option). Motors shall be protected by an internal overload that is UL certified component.

FANS

Fans shall be centrifugal direct-drive, forward curved type. Fan wheel shall be statically and dynamically balanced.

TERMINAL BOX

All units shall be provided with factory installed terminal box with the fan motor wired to the box.

DRAIN PAN

Drain pan shall be die formed steel, sloped to the piping connection, which will be threaded for easy connection. Internal surface shall be painted with anti-corrosive paint. The drain pan shall be insulated from below the closed cell formed insulation that complies with BS476 part 6 to class 1 requirements.

TESTING

Manufacturer shall have a test facility to verify the air flow rate at specified external static pressure on all three speeds.

It shall also be possible to verify the cooling capacity with water flow rates and temperature shown in the product guide. Verification of Airflow and Capacities shall be an option available at a declared cost.

The manufacturing process should have a certified ISO 9000 quality plan.

FILTER (OPTIONAL ON CB)

Filter Split - Number of filters based upon size: from 02 to 06 is 1 filter cell, from 07 to 14 is 2 filter cells.



Eurovent Certita Certification S.A.S. - 48/50, rue de la victoire - 75009 PARIS FRANCE
R.C.S. PARIS 513 133 637 - NAF 7120B

Accreditation #5-0517 Products and Services Certification
according to NF EN ISO/CEI 17065:2012 - Scope available on
www.cofrac.fr.
COFRAC is signatory of EA MLA, list of EA members is available in
<http://www.european-accreditation.org/ea-members>

Certification Diploma N° : 12.07.001

Eurovent Certita Certification certifies that

Fan Coil Units

from

YORK GUANGZHOU Air Cond. & Refrig. Co., Ltd

Located at

Xuetian, Longshan Town - Fogang County
511685 Qingyuan, GUANGDONG, China

Trade name

YORK

have been assessed according the requirements of following standard

OM-1A-2015

All products inside this defined scope are certified according to "Certify-all" principle

The list of certified products is displayed at :

<http://www.eurovent-certification.com>

YORK GUANGZHOU Air Cond. & Refrig. Co., Ltd

is authorised to use the EUROVENT CERTIFIED PERFORMANCE mark

in accordance with the rules specified in the Operational Manual

OM-1A-2015

Erick MELQUIOND
President

Approval date : 2012/07/10

Re-checked on : 2015/06/29

Valid until : 2016/08/31

Certificate of Registration

Intertek

This is to certify that the quality management system of
**York Guangzhou Air Conditioning and
Refrigeration Equipment Co., Ltd.**

Xuetian, Longshan Town, Fogang County, Qingyuan, Guangdong Province, P. R. China

has been assessed and registered by Intertek as conforming to the requirements of

ISO 9001: 2008

The quality management system is applicable to:

Design and manufacture of room air conditioner, air cooled ducted split air conditioner, air cooled (heat pump) water chiller, air cooled split (heat pumper) water chiller, air cooling heat pump water heater, digital scroll multi-connected air conditioner, YORK VRF (variable refrigerant flow), water cooled floor mounted package air conditioner, air handling unit, fan coil, variable air volume terminals and spare parts.

Certificate Number: 111312022
Certificate Issue Date: 21 February 2014
Certificate Expiry Date: 20 February 2017



Authorised Signature: Calin Moldovean – President, Business Assurance
Intertek Certification Limited, 10A Victory Park, Victory Road, Derby DE24 8ZF, United Kingdom
Intertek Certification Limited is a UKAS accredited body under schedule of accreditation no. 014.

In the issuance of this certificate, Intertek assumes no liability to any party other than to the client, and then only in accordance with the agreed upon Certification Agreement. This certificate's validity is subject to the organization maintaining the system in accordance with Intertek's requirements for systems certification. Validity may be confirmed via email at certificate.validation@intertek.com by scanning the code to the right with a smartphone. The annual validity of the certificate can also be checked through the website: www.cnca.gov.cn of CNCA in China.



The certificate remains the property of Intertek, to whom it must be returned upon request.

Intertek Intertek Intertek Intertek Intertek

Johnson Controls is a global diversified technology and industrial leader serving customers in more than 150 countries. Our 168,000 employees create quality products, services and solutions to optimize energy and operational efficiencies of buildings; lead-acid automotive batteries and advanced batteries for hybrid and electric vehicles; and interior systems for automobiles. Our commitment to sustainability dates back to our roots in 1885, with the invention of the first electric room thermostat. Through our growth strategies and by increasing market share we are committed to delivering value to shareholders and making our customers successful. In 2013, Corporate Responsibility Magazine recognized Johnson Controls as the #14 company in its annual "100 Best Corporate Citizens" list. For additional information, please visit <http://www.johnsoncontrols.com>.

Johnson Controls Building Efficiency delivers products, services and solutions that increase energy efficiency and lower operating costs in buildings for more than one million customers. Operating from 500 branch offices in more than 150 countries, we are a leading provider of equipment, controls and services for heating, ventilating, air-conditioning, refrigeration and security systems. We have been involved in more than 500 renewable energy projects including solar, wind and geothermal technologies. Our solutions have reduced carbon dioxide emissions by 16 million metric tons and generated savings of \$7.5 billion since 2000. Many of the world's largest companies rely on us to manage 1.8 billion square feet of their commercial real estate.

Australia

Tel : +61 (2) 9805 8300
Fax: +61 (2) 9889 3016

China (Shanghai)

Tel : +86 (21) 6276 6509
Fax: +86 (21) 6277 3543

Hong Kong

Tel : +852 2590 0012
Fax: +852 2516 5648

India

Tel : +91 (22) 3082 2200
Fax: +91 (22) 3088 1592

Indonesia

Tel : +62 (21) 5366 8500
Fax: +62 (21) 5366 8300

Japan

Tel : +81 (3) 5738 6100
Fax: +81 (3) 5738 6298

Korea

Tel : +82 (2) 554 5935
Fax: +82 (2) 554 5739

Macau

Tel : +853 2875 1820
Fax: +853 2875 1825

Malaysia

Tel : +60 (3) 7628 4393
Fax: +60 (3) 7620 0538

New Zealand

Tel : +64 (9) 444 6434
Fax: +64 (9) 444 2092

Singapore

Tel : +65 6748 0202
Fax: +65 6284 3017

Thailand

Tel : +66 (2) 717 1260-80
Fax: +66 (2) 717 0861

Asia Engineering Centre: Wuxi, China

Shanghai Distribution Center: Shanghai, China

Asia Centre of Excellence in Engineering (CoEE): Beijing, China · Mumbai & Pune, India

Manufacturing/Assembly: Guangzhou & Wuxi, China · Pune, India

