



Finishes You've Never Seen Before®

# WESTERN STATES METAL ROOFING

(877) 787-5467 • WESTERNSTATESMETALROOFING.COM

## WESTERN RIB®

### INSTALLATION GUIDE WITH TRIM, FLASHINGS AND DETAILS



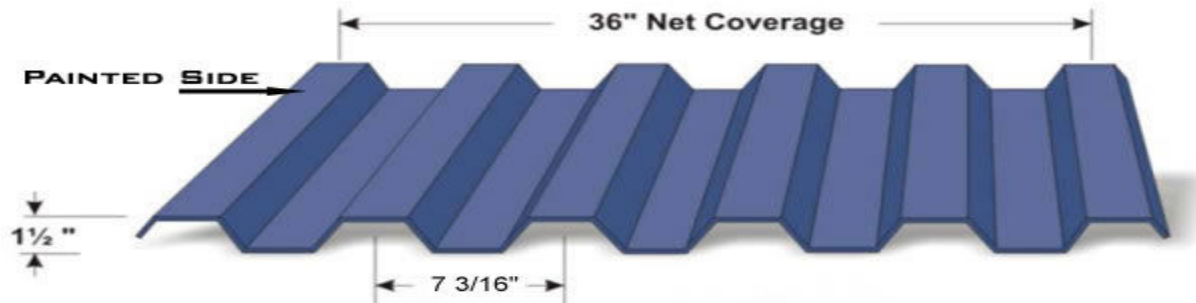
**Phoenix:** 901 W Watkins St., Phoenix, AZ 85007  
☎ (602) 495-0048  
✉ sales@westernstatesmetalroofing.com

**Tucson:** 4975 E. Drexel Rd., Tucson, AZ 85706  
☎ (520) 574-4247  
✉ tucsonsales@westernstatesmetalroofing.com



Western States “Western Rib” Panel  
 Installation, Flashings & Shop Drawing Detail Guide

Table of Contents



Section	Page	Section	Page
Notes to Designer / Installers.....	1	Hip and Ridge Detail.....	22
Fastener Placement and Selection.....	2-3	Valley Detail .....	23
Key Roof Plan .....	4	Pitch Break High to Low Detail .....	24
Key Flashing / Trims .....	5-6-7-8	Pitch Break Low to High Detail .....	25
Eave Detail .....	9	Chimney Details.....	26-27-28-29
Mini Eave Detail .....	10	Pipe Flashing Detail .....	30
Eave Pre Hung Gutter Detail.....	11	Head & Jamb Details .....	31
Eave Post Hung Gutter Detail.....	12	Base Trim Detail .....	32
Gutter Splice Detail.....	13	Isometric Wall Detail .....	33
Gable Flashing Detail.....	14	Outside Corner Detail .....	34
Mini Gable Flashing Detail.....	15	Inside Corner Detail .....	35
Sculptured Gable Detail .....	16	Notes .....	36
Universal Gable Detail .....	17	Custom Trim form .....	37
Peak/ High Eave Detail.....	18	Special Design Considerations.....	38
Sidewall Detail.....	19		
Endwall Detail .....	20		
Formed Ridge Detail .....	21		

## **Western States “Western Rib” Panel**

Installation, Flashings & Shop Drawing Detail Guide

### **Notes to Designer and Installers**

The details contained in this guide are proven industry details and are intended to be used as a design aid and installation guide. It does not depict all situations that may be encountered on all projects. Modifications are the responsibility of the designer/ owner/ installer. Consideration should be given for Fit for Purpose, Building use, Climate conditions such as temperature, snow, wind, and moisture, Governing Building Codes, and Maintenance. It is highly recommended that all trims and flashings be of the same material as the panels (metal, gauge, finish) to ensure long term performance and durability. Where possible, flashing edges should be hemmed to strengthen the edge and protect the cut edge from exposure.

### **Framing and Substrates**

“Western Rib “ panels are used over all type of substrates like Steel Decking, open purlins, spaced sheathing, and wood decking such as plywood. Most details in this guide are shown with panels attached to Purlins.

### **Note on Underlayment**

Not all conditions require an underlayment, However metal roofing is susceptible to Condensation and it is recommended that an appropriate Roofing underlayment be use on all wood substrates to protect the structure during installation. For added protection from rain and snow, it is recommended to use rubberized Ice and water shield on eaves, valleys, and areas of roof penetrations.

### **Slope Requirements**

It is recommended that “Western Rib” panels have a minimum slope requirement of 1:12 on all structures.

### **Valley and Snow Design**

Valley design and dimension must be the proper width to accommodate high snow, rain, ice, and slope conditions. If possible, splices, penetrations, valleys, roof elevation changes, should be minimized in areas of high snow and ice accumulations.

### **Oil Canning**

Oil canning is a condition common with flat metal surfaces. This waviness is caused by steel mill tolerances, forming, variations in the structures surfaces, and hardness of the steel. Measures are taken at the roll forming process, like profile design, steel gauge, corrective leveling, to minimize the effects of oil canning. Oil Canning is a Characteristic of steel and can not be eliminated totally and therefore is not reason for rejection of the panels.

### **Job Site Storage**

While waiting to be installed on the job site, Storage of panels, trim crates, and flat sheet should be sloped in order to allow for proper moisture run off. One end should be elevated so as not to allow ponding of water on the metal surface. When using tarps for protection, proper ventilation should be provided to prevent condensation. Moisture or condensation that is trapped inside a bundle can lead to white rust on sheeting.

### **References**

For other installation techniques and details, The Sheet Metal and Air Conditioning Contractors National Association Inc. (SMACNA) and NRCA manuals are great resource for working with sheet metal.

### **Technical Assistance**

Contact your WSDI sales or technical representative for any additional information or assistance.

## Western States Metal Roofing “Western Rib” Panel

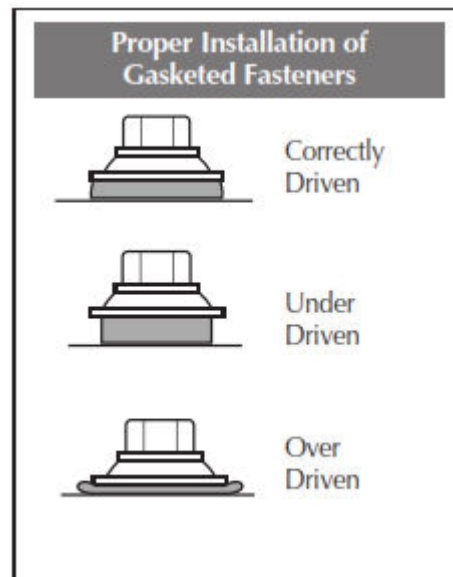
Installation, Flashings & Shop Drawing Detail Guide

### Fastener Placement and Selection



#### Notes to Installers:

- Fastener Selection will vary depending on type and thickness of substrate.
- Space panel lap screws 12" minimum -18" O.C. maximum. Consult with design engineer.
- Spacing of fastener rows to be engineered by others.
- Lap panels away from prevailing winds whenever possible.
- The use of Butyl tape mastic is always recommended on the panel lap when used for roof panels.
- Panels and flashings should never be installed in contact with dissimilar metals.
- Use only those flashings and accessories designed for use with this panel.
- Panel attachment screws must be long enough to fully penetrate through roof deck substrate or penetrate solid lumber at least one inch.
- Exposed Fasteners should have sealing washers and be coated to provide protection against corrosion.
- Screws must be properly driven to ensure holding strength and proper seal. (see diagram)
- Recommended drill speed is 2000rpm. Improper setting of drill speed can lead to snapping of screw heads.
- Pre drilling of screw holes may be necessary with heavy gauge metals.



## Western States Metal Roofing “Western Rib” Panel

Installation, Flashings & Shop Drawing Detail Guide

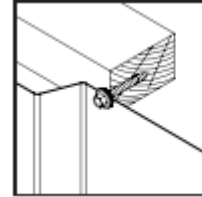
### Fastener Selection

Description

Application

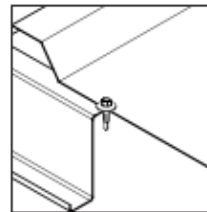
#9 x1” Wood Drillers  
#9 x 1.5” Wood Drillers  
#9 x2” Wood Drillers

Used to attach panels to dimensional Lumber and plywood



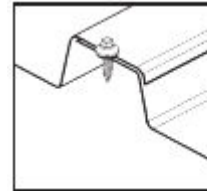
#12-14 x 1” SD  
#12- 14 x1.5” SD  
#12- 14 x 2” SD

Used to attach panels to Purlins and other metal substrates



#14 x 7/8” Lap Self tap  
#14x7/8 Lap Stainless

Used to attach Trims and panel side laps. Stainless to be used with A606-4 Steel



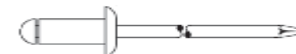
#10-12 x1” Pancake Wood  
#10-12 x 1” SD Self Driller

Used to secure trims to substrates. Also available in Stainless Steel.



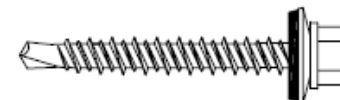
1/8” Stainless Rivets

Used for Trim to Trim attachment or trim to wall panels.

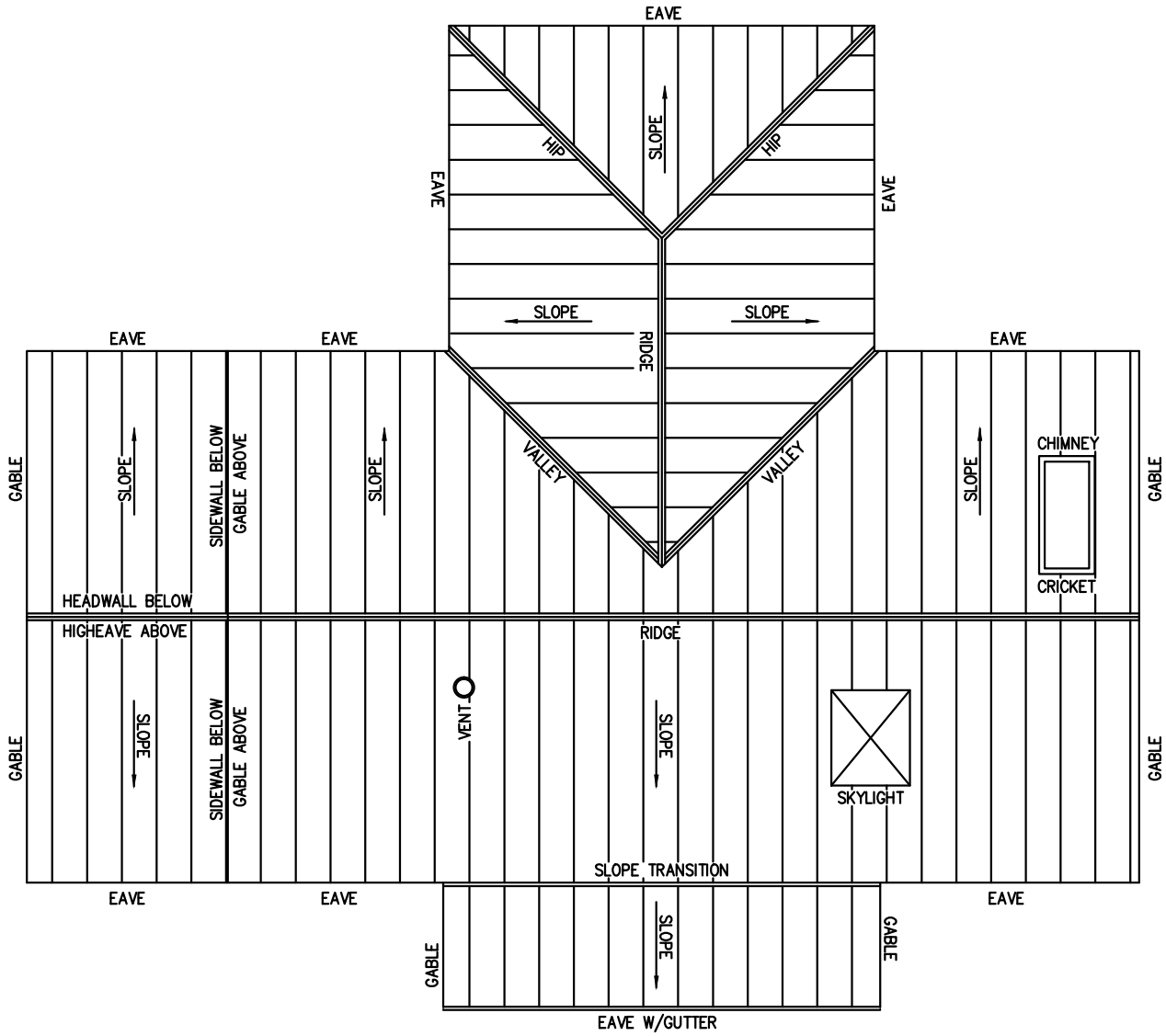


Stainless Screws  
#10 x1 Wood Drillers  
#10 x 1.5  
#10 x 2”

Used for panel attachment for panels made with A606-4 Steel



- The table above shows the panel Fasteners provided by WSD. Special order screws are available.



FLASHING TYPE	DETAIL NO.
STANDARD TRIM	WSD-ST5
STANDARD TRIM	WSD-ST6
STANDARD TRIM	WSD-ST7
STANDARD TRIM	WSD-ST8
EAVE	WSD-E1
MINE EAVE	WSD-ME1
EAVE-PRE-HUNG GUTTER	WSD-EPRG1
EAVE-POST-HUNG GUTTER	WSD-EPOG2
POST-HUNG GUTTER SPLICE	WSD-EG3
GABLE FLASHING	WSD-GF2
MINI GABLE FLASHING	WSD-MGF2
SCULPTURED GABLE	WSD-SGF2
UNIVERSAL GABLE FLASHING	WSD-UGF2
PEAK-HIGH EAVE FLASHING	WSD-PK3
SIDEWALL FLASHING	WSD-SW4
ENDWALL FLASHING	WSD-EW5
FORMED RIDGE	WSD-FR6
RIDGE-HIP	WSD-RH6
VALLEY FLASHING	WSD-V7
PITCH BREAK HIGH TO LOW	WSD-PB8
PITCH BREAK LOW TO HIGH	WSD-PB9
CHIMNEY FLASHING	WSD-CF10
CHIMNEY FLASHING	WSD-CF11
CHIMNEY CRICKET FLASHING	WSD-CF12
ISOMETRIC DETAIL	WSD-CF13
PIPE FLASHING	WSD-PF14
WALL DETAILS	WSD-W15
WALL DETAIL	WSD-W16
ISOMETRIC WALL DETAIL	WSD-W17
WALL DETAIL	WSD-W18
WALL DETAIL	WSD-ST19
NOTES	WSD-MN20
CUSTOM TRIM SHEET	WSD-CT21

# Western States Metal Roofing

901 W. Watkins St.  
 Phoenix, AZ 85007  
[www.MetalForRoofing.com](http://www.MetalForRoofing.com)  
[www.RustedRoofing.com](http://www.RustedRoofing.com)  
[www.MetalDeck.com](http://www.MetalDeck.com)

Phone: (602) 495-0048  
 Fax: (602) 261-7726  
 877-PURLINS (787-5467)



DETAIL:  
**KEY ROOF PLAN**  
 PANEL TYPE:  
**Western Rib Panel**

B	01-14-13
A	08-12-12
REV:	DATE:
DETAIL #:	

<p><b>EAVE FLASHING WS-304</b></p>	<p><b>MINI EAVE FLASHING WS-340</b></p>	<p><b>SCULPTURED EAVE WS-345</b></p>	<p><b>PITCH BREAK HIGH TO LOW WS-336</b></p>
<p><b>PITCH BREAK LOW TO HIGH WS-337</b></p>	<p><b>CUSTOM TRIM REGLET FLASHING WS-329</b></p>	<p><b>SCULPTURED GABLE WS-309</b></p>	<p><b>GABLE FLASHING WS-311</b></p>
<p><b>MINI GABLE FLASHING WS-341</b></p>	<p><b>UNIVERSAL GABLE FLASHING WS-398</b></p>	<p><b>OVERSIZED VALLEY WS-323</b></p>	<p><b>STANDARD VALLEY WS-324</b></p>

**Western States Metal Roofing**

901 W. Watkins St.  
 Phoenix, AZ 85007  
[www.MetalForRoofing.com](http://www.MetalForRoofing.com)  
[www.RustedRoofing.com](http://www.RustedRoofing.com)  
[www.MetalDeck.com](http://www.MetalDeck.com)

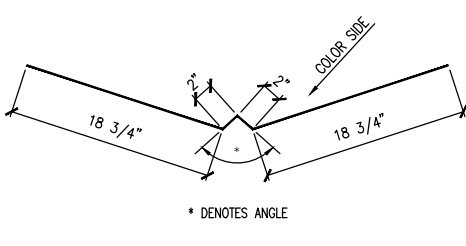
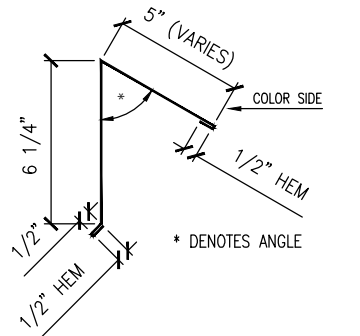
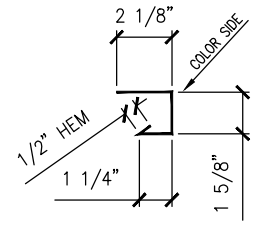
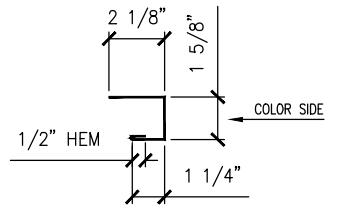
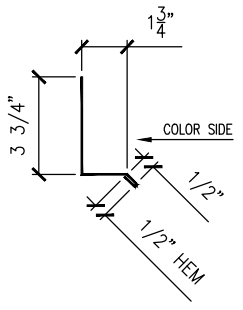
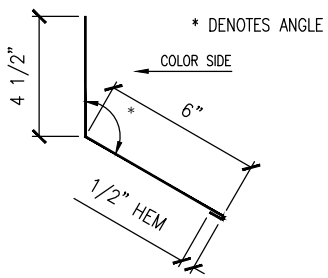
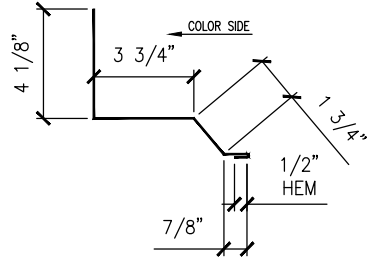
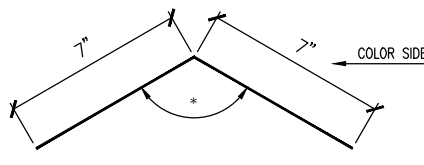
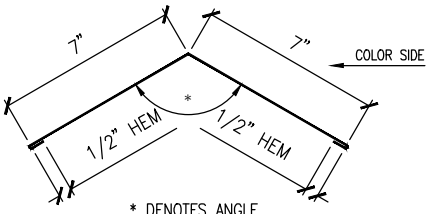
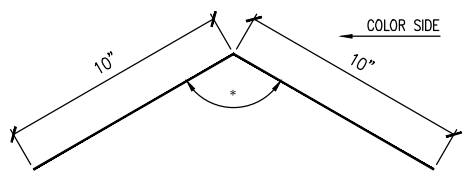
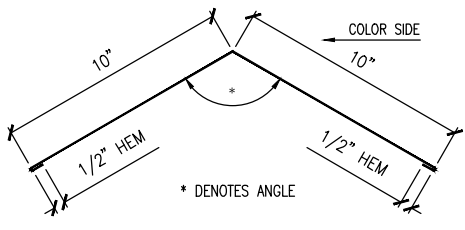
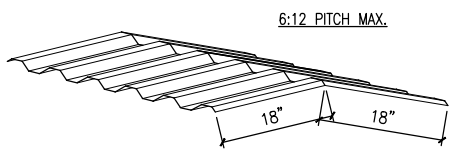
Phone: (602) 495-0048  
 Fax: (602) 261-7726  
 877-PURLINS (787-5467)

**STANDARD TRIM**

PANEL TYPE:

**Western Rib Panel**

B	01-14-13
A	08-12-12
REV:	DATE:
DETAIL #:	<b>WSD-ST5</b>

<p><b>EXTENDED VALLEY WS-325</b></p>  <p>* DENOTES ANGLE</p>	<p><b>PEAK FLASHING WS-319</b></p>  <p>* DENOTES ANGLE</p>	<p><b>JAMB TRIM WS-303</b></p> 	<p><b>HEAD TRIM WS-308</b></p> 
<p><b>BASE TRIM WS-306</b></p> 	<p><b>ENDWALL FLASHING WS-328</b></p>  <p>* DENOTES ANGLE</p>	<p><b>SIDEWALL FLASHING WS-307</b></p> 	<p><b>RIDGE/HIP CAP WS-305</b></p>  <p>* DENOTES ANGLE</p>
<p><b>RIDGE/HIP CAP WS-305H</b></p>  <p>* DENOTES ANGLE</p>	<p><b>RIDGE/HIP CAP WS-320</b></p>  <p>* DENOTES ANGLE</p>	<p><b>RIDGE/HIP CAP WS-320H</b></p>  <p>* DENOTES ANGLE</p>	<p><b>DIE FORMED RIDGE CAP WS-321</b></p>  <p>6:12 PITCH MAX.</p> <p>* AVAILABLE IN 24GA ONLY</p>

# Western States Metal Roofing

901 W. Watkins St.  
 Phoenix, AZ 85007  
[www.MetalForRoofing.com](http://www.MetalForRoofing.com)  
[www.RustedRoofing.com](http://www.RustedRoofing.com)  
[www.MetalDeck.com](http://www.MetalDeck.com)

Phone: (602) 495-0048  
 Fax: (602) 261-7726  
 877-PURLINS (787-5467)

## STANDARD TRIM

PANEL TYPE:  
**Western Rib Panel**

B	01-14-13
A	08-12-12
REV:	DATE:
DETAIL #:	<b>WSD-ST6</b>



<p><b>OUTSIDE CORNER WS-312</b></p>	<p><b>INSIDE CORNER WS-330</b></p>	<p><b>CRICKET FLASHING CUSTOM TRIM WS-399</b></p>	<p><b>SCULPTURED PRE-HUNG GUTTER WS-301</b></p>
<p><b>BOX GUTTER PRE-HUNG WS-310</b></p>	<p><b>BOX GUTTER POST-HUNG WS-315</b></p>	<p><b>SCULPTURED POST-HUNG GUTTER WS-317</b></p>	<p><b>SPLICE WS-313 FOR BOX GUTTER</b></p>
<p><b>SPLICE WS-360 FOR SCULPTURE GUTTER</b></p>	<p><b>DOWNSPOUT STRAIGHT WS-326</b></p>	<p><b>DOWNSPOUT WITH KICKOUT WS-327</b></p>	<p><b>DOWNSPOUT ELBOW WS-343</b></p>

**Western States Metal Roofing**

901 W. Watkins St.  
 Phoenix, AZ 85007  
[www.MetalForRoofing.com](http://www.MetalForRoofing.com)  
[www.RustedRoofing.com](http://www.RustedRoofing.com)  
[www.MetalDeck.com](http://www.MetalDeck.com)

Phone: (602) 495-0048  
 Fax: (602) 261-7726  
 877-PURLINS (787-5467)

**STANDARD TRIM**

PANEL TYPE:

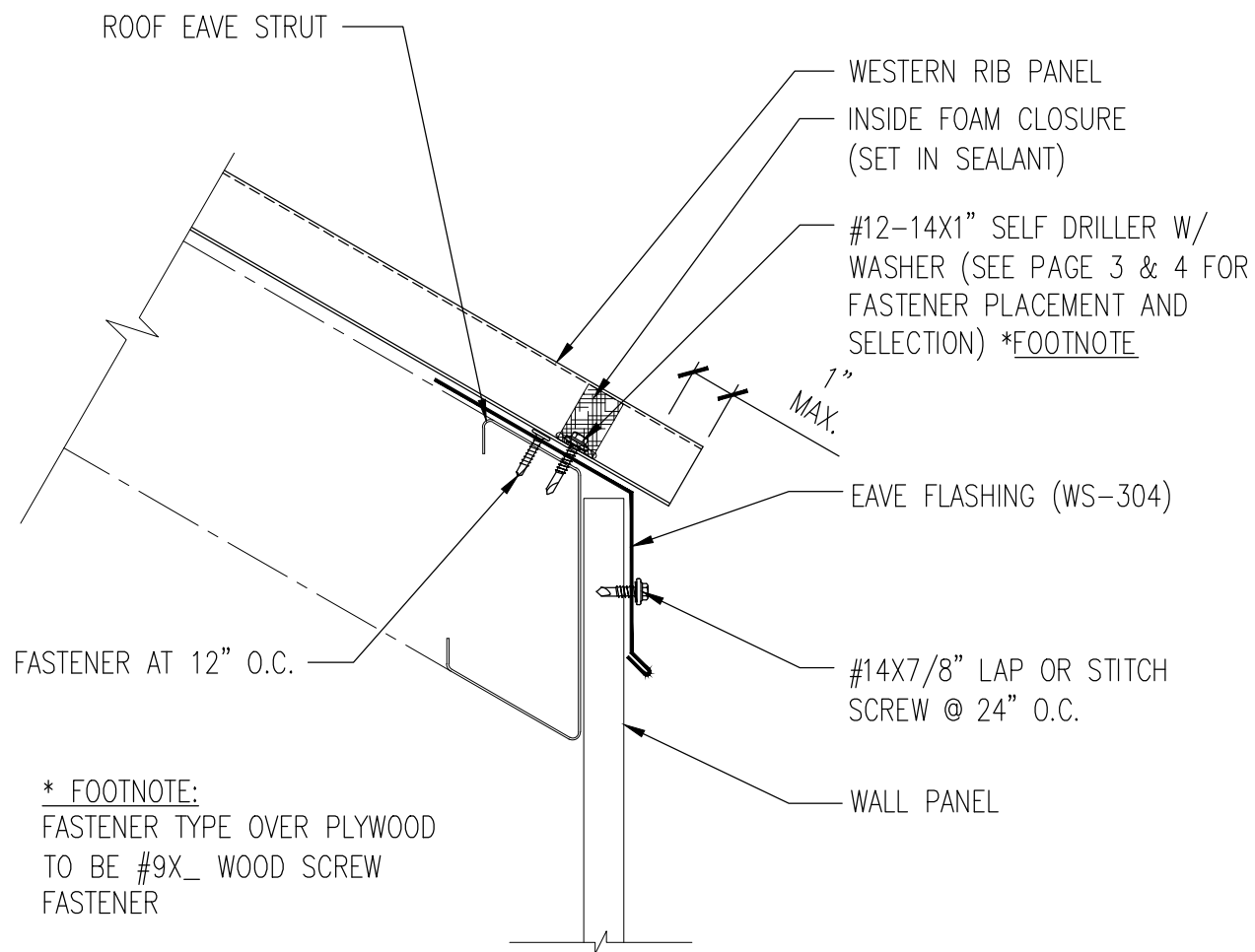
**Western Rib Panel**

B	01-14-13
A	08-12-12
REV:	DATE:
DETAIL #:	<b>WSD-ST7</b>

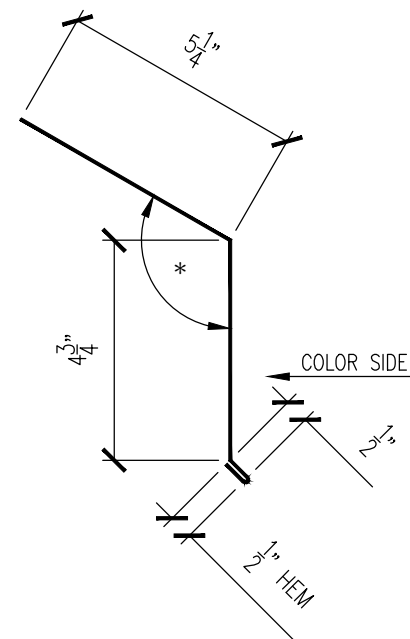
<p><b>DOWNSPOUT STRAP WS-342</b></p>	<p><b>DOWNSPOUT OUTLET WS-375</b></p>	<p><b>GUTTER STRAP WS-331</b></p>	<p><b>BOX GUTTER END CAP WS-314</b></p>
<p><b>SCULPTURE GUTTER END CAP WS-349</b></p>			

<p><b>Western States Metal Roofing</b>  901 W. Watkins St. Phone: (602) 495-0048  Phoenix, AZ 85007 Fax: (602) 261-7726  www.MetalForRoofing.com 877-PURLINS (787-5467)  www.RustedRoofing.com  www.MetalDeck.com</p>		<p><b>STANDARD TRIM</b></p> <p>PANEL TYPE:  <b>Western Rib Panel</b></p>	<table border="1"> <tr> <td>B</td> <td>01-14-13</td> </tr> <tr> <td>A</td> <td>08-12-12</td> </tr> <tr> <td>REV:</td> <td>DATE:</td> </tr> <tr> <td colspan="2">DETAIL #:  <b>WSD-ST8</b></td> </tr> </table>	B	01-14-13	A	08-12-12	REV:	DATE:	DETAIL #: <b>WSD-ST8</b>	
B	01-14-13										
A	08-12-12										
REV:	DATE:										
DETAIL #: <b>WSD-ST8</b>											

NOTE:  
FOR HIGH SNOW AREA THE OVERHANG  
SHOULD BE 1" MAX.



\* FOOTNOTE:  
FASTENER TYPE OVER PLYWOOD  
TO BE #9X\_ WOOD SCREW  
FASTENER



EAVE FLASHING (WS-304)  
\* DENOTES ANGLE

GAUGE: _____	COLOR: _____
BREAKS: _____	FINISH: _____
LENGTH: _____	STRETCH OUT: _____
MATERIAL: _____	

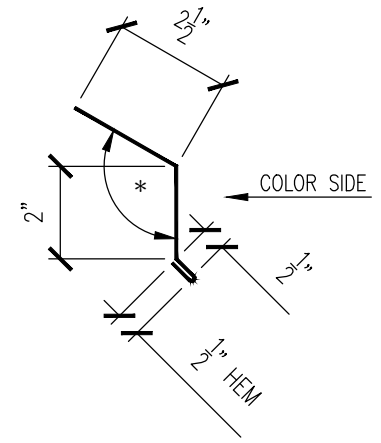
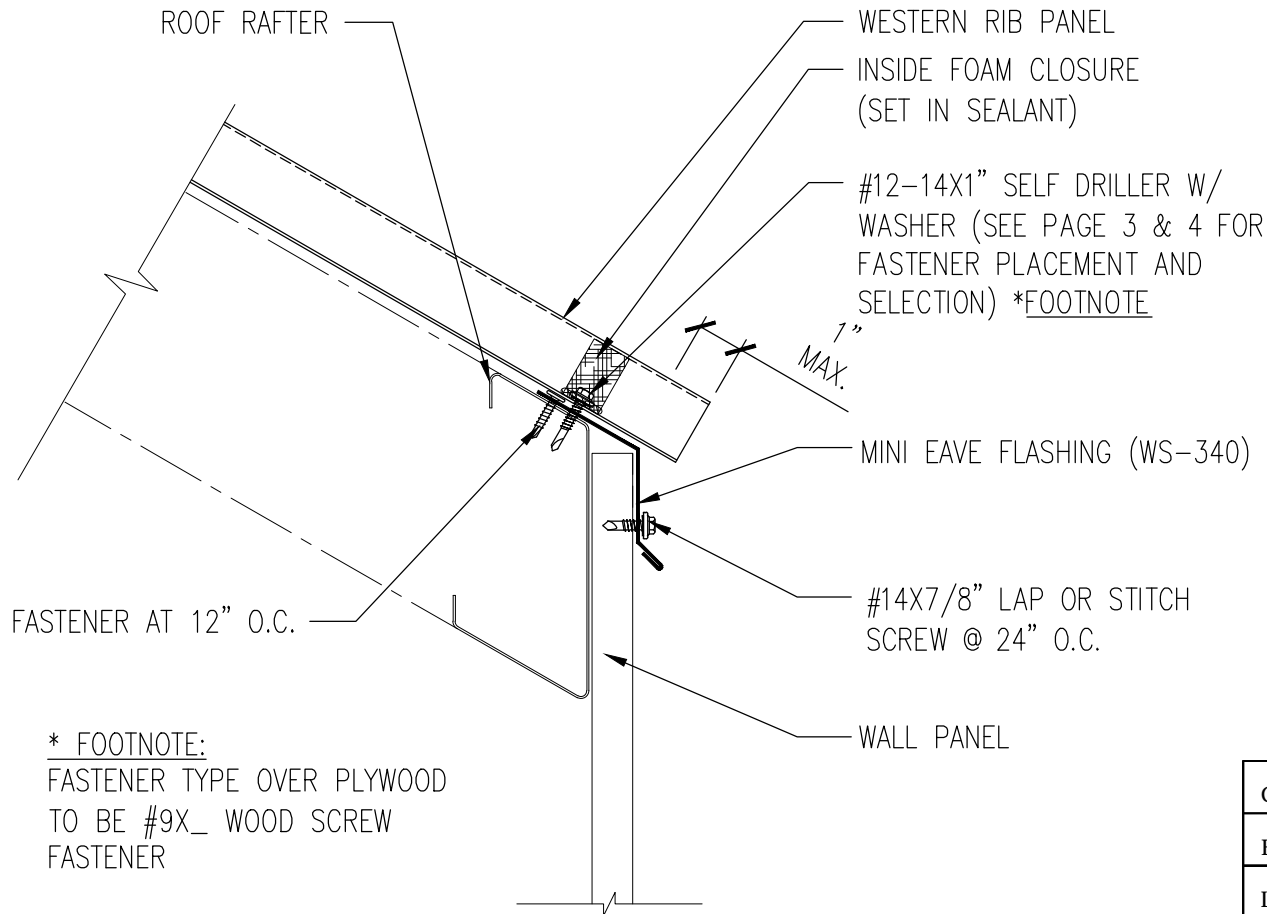
## Western States Metal Roofing

901 W. Watkins St.  
Phoenix, AZ 85007  
www.MetalForRoofing.com  
www.RustedRoofing.com  
www.MetalDeck.com

Phone: (602) 495-0048  
Fax: (602) 261-7726  
877-PURLINS (787-5467)

EAVE DETAIL	B	01-14-13
	A	08-12-12
PANEL TYPE: Western Rib Panel	REV:	DATE:
	DETAIL #:	WSD-E1

NOTE:  
FOR HIGH SNOW AREA THE OVERHANG  
SHOULD BE 1" MAX.



MINI EAVE FLASHING  
(WS-340)

\* DENOTES ANGLE

\* FOOTNOTE:  
FASTENER TYPE OVER PLYWOOD  
TO BE #9X\_ WOOD SCREW  
FASTENER

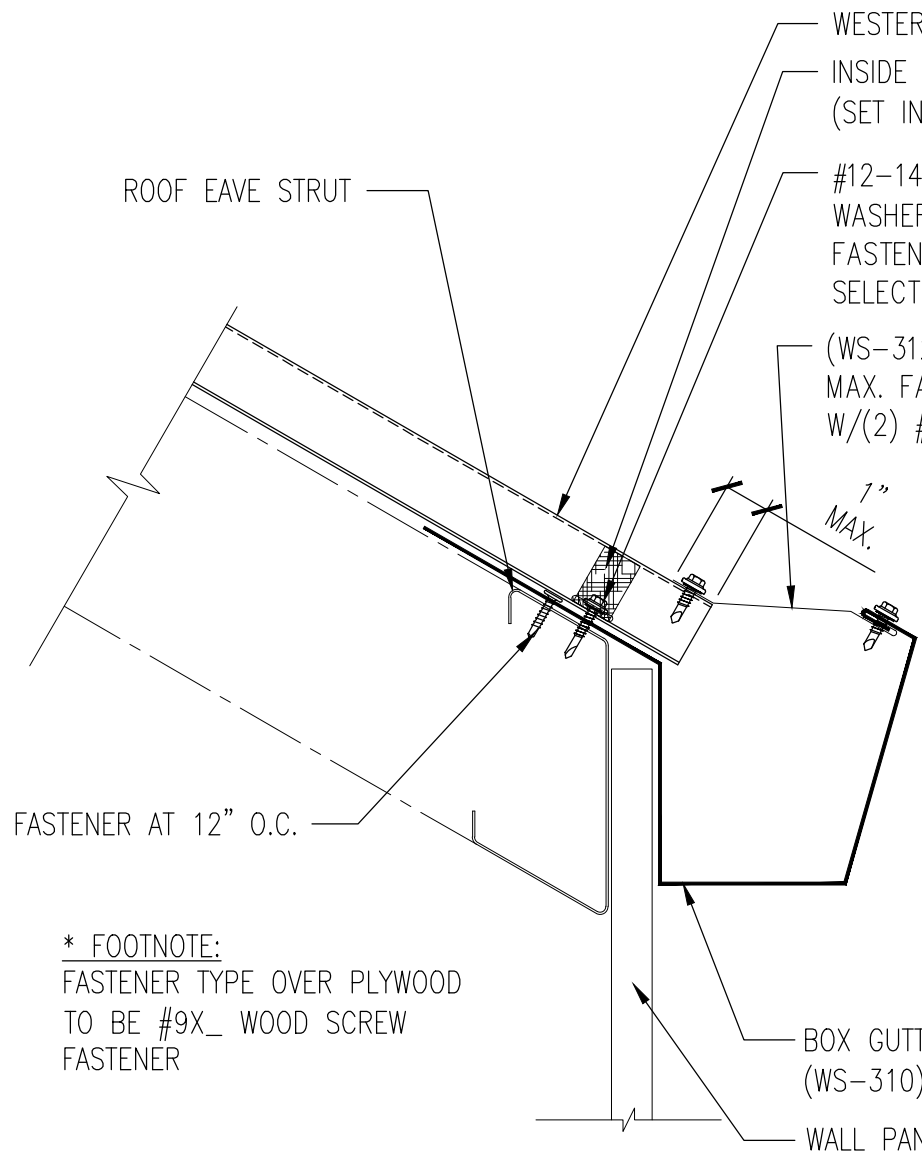
GAUGE: _____	COLOR: _____
BREAKS: _____	FINISH: _____
LENGTH: _____	STRETCH OUT: _____
MATERIAL: _____	

## Western States Metal Roofing

901 W. Watkins St.  
Phoenix, AZ 85007  
www.MetalForRoofing.com  
www.RustedRoofing.com  
www.MetalDeck.com

Phone: (602) 495-0048  
Fax: (602) 261-7726  
877-PURLINS (787-5467)

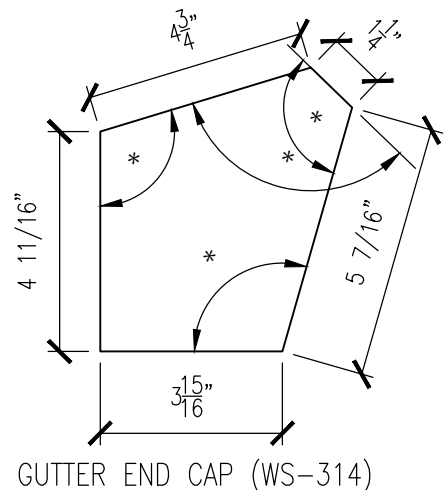
MINI EAVE DETAIL	B	01-14-13
	A	08-12-12
PANEL TYPE: Western Rib Panel	REV:	DATE:
	DETAIL #: WSD-ME1	



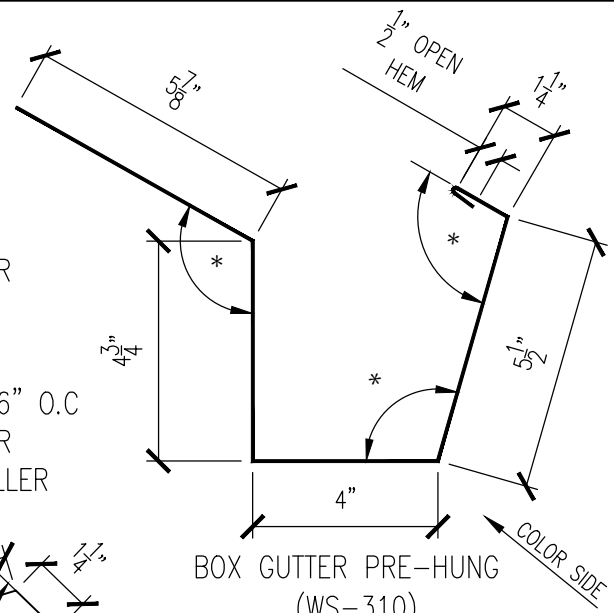
WESTERN RIB PANEL  
 INSIDE FOAM CLOSURE  
 (SET IN SEALANT)  
 #12-14X1" SELF DRILLER W/  
 WASHER (SEE PAGE 3 & 4 FOR  
 FASTENER PLACEMENT AND  
 SELECTION) \*FOOTNOTE  
 (WS-312) GUTTER STRAP AT 36" O.C  
 MAX. FASTEN STRAP TO GUTTER  
 W/(2) #14X7/8" LAP SELF DRILLER

FASTENER AT 12" O.C.

\* FOOTNOTE:  
 FASTENER TYPE OVER PLYWOOD  
 TO BE #9X\_ WOOD SCREW  
 FASTENER

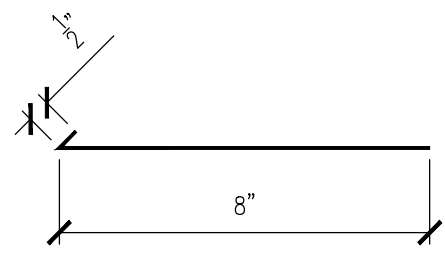


GUTTER END CAP (WS-314)



BOX GUTTER PRE-HUNG  
 (WS-310)

\* DENOTES ANGLE



GUTTER STRAP (WS-331)

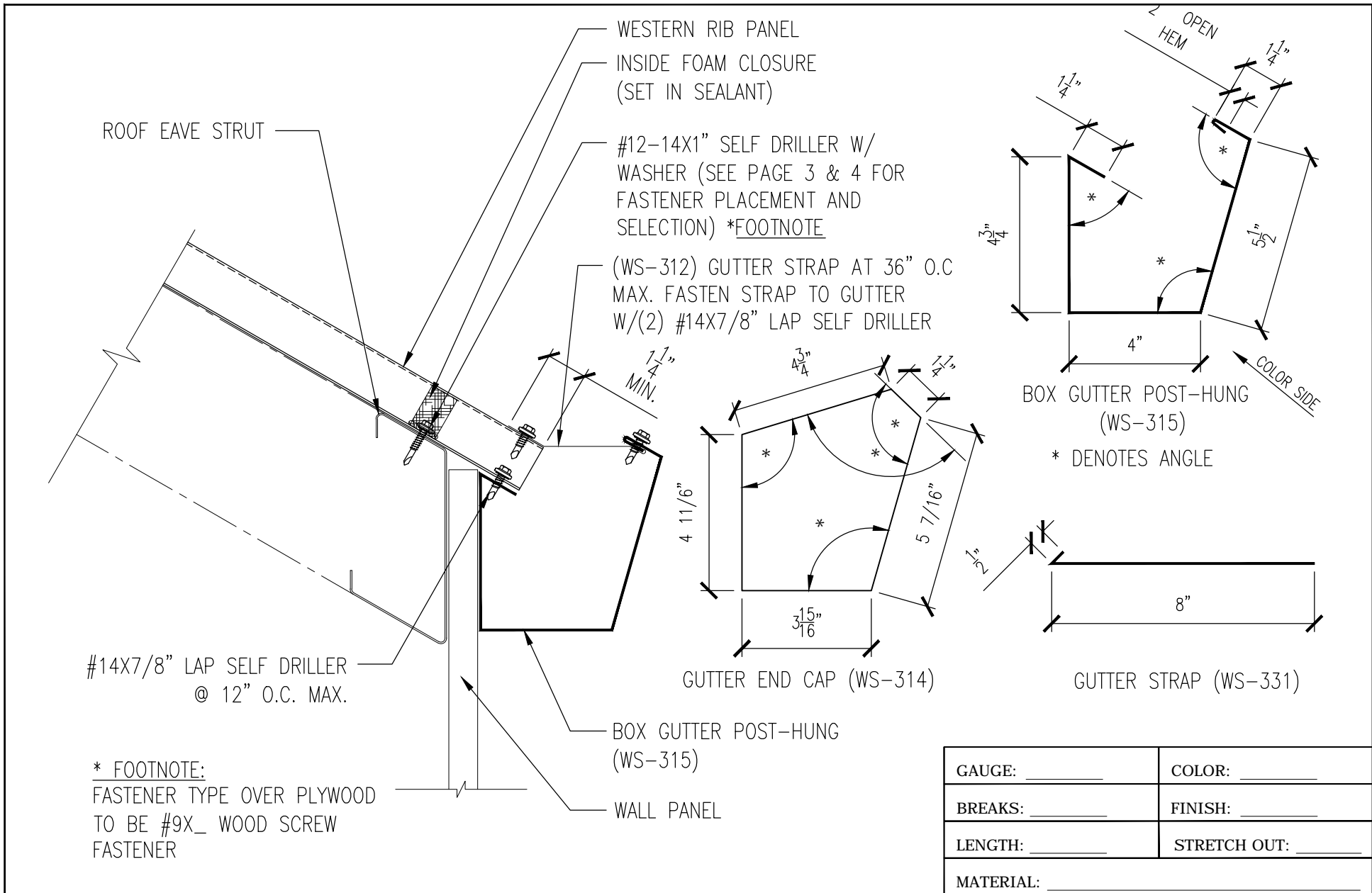
GAUGE: _____	COLOR: _____
BREAKS: _____	FINISH: _____
LENGTH: _____	STRETCH OUT: _____
MATERIAL: _____	

## Western States Metal Roofing

901 W. Watkins St.  
 Phoenix, AZ 85007  
[www.MetalForRoofing.com](http://www.MetalForRoofing.com)  
[www.RustedRoofing.com](http://www.RustedRoofing.com)  
[www.MetalDeck.com](http://www.MetalDeck.com)

Phone: (602) 495-0048  
 Fax: (602) 261-7726  
 877-PURLINS (787-5467)

EAVE DETAIL PRE-HUNG GUTTER DETAIL	B	01-14-13
	A	08-12-12
PANEL TYPE: Western Rib Panel	REV:	DATE:
	DETAIL #:	WSD-EPRG1



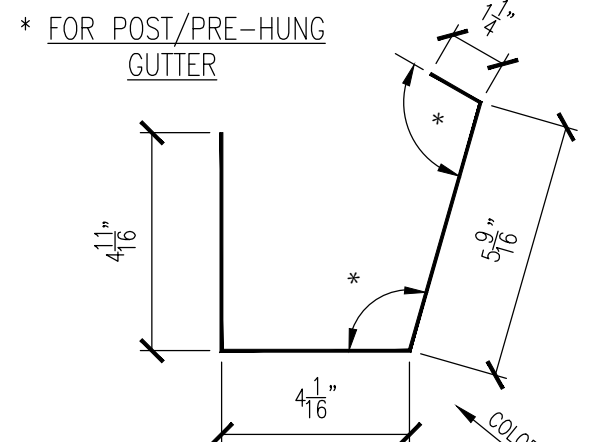
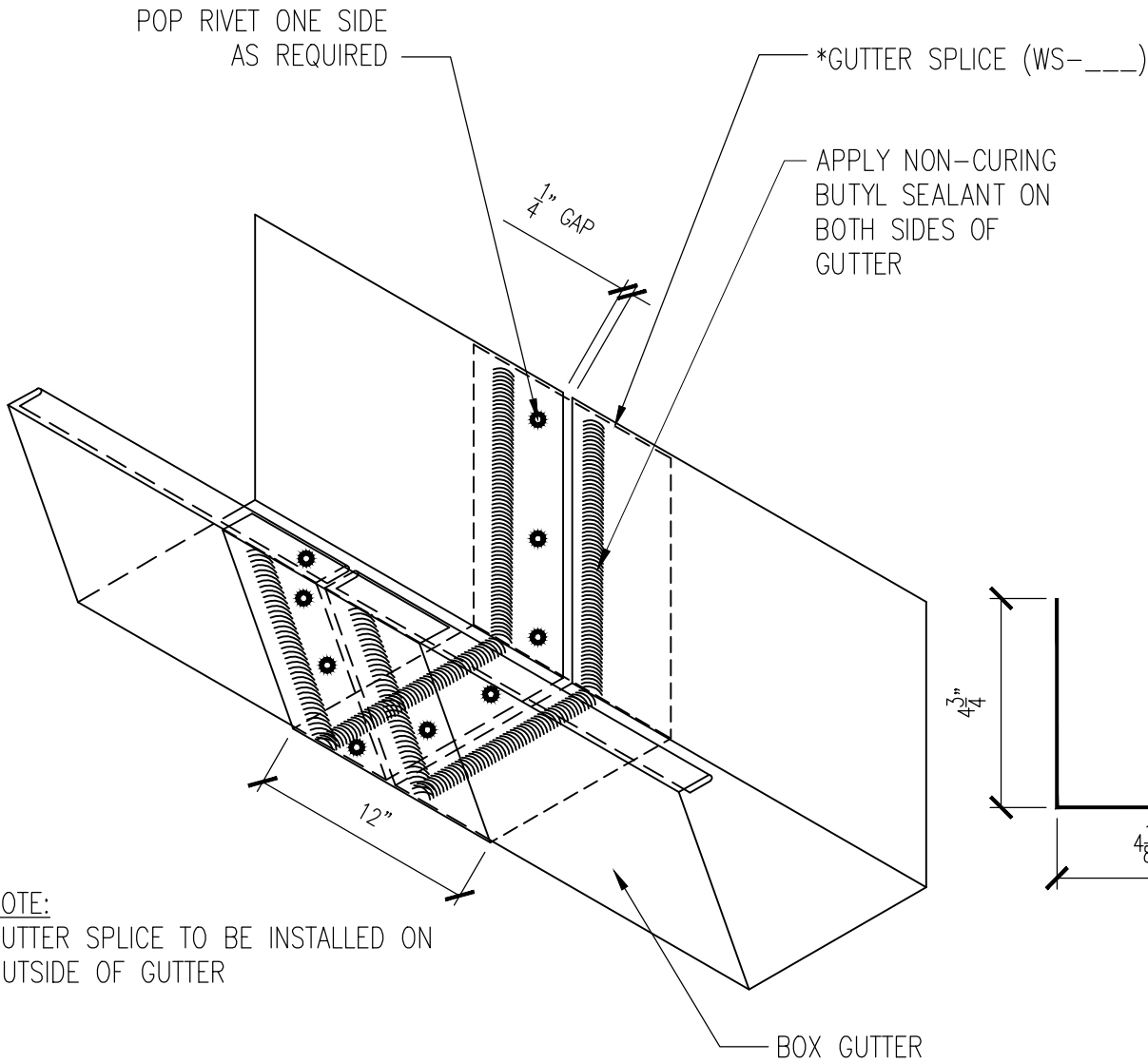
GAUGE: _____	COLOR: _____
BREAKS: _____	FINISH: _____
LENGTH: _____	STRETCH OUT: _____
MATERIAL: _____	

# Western States Metal Roofing

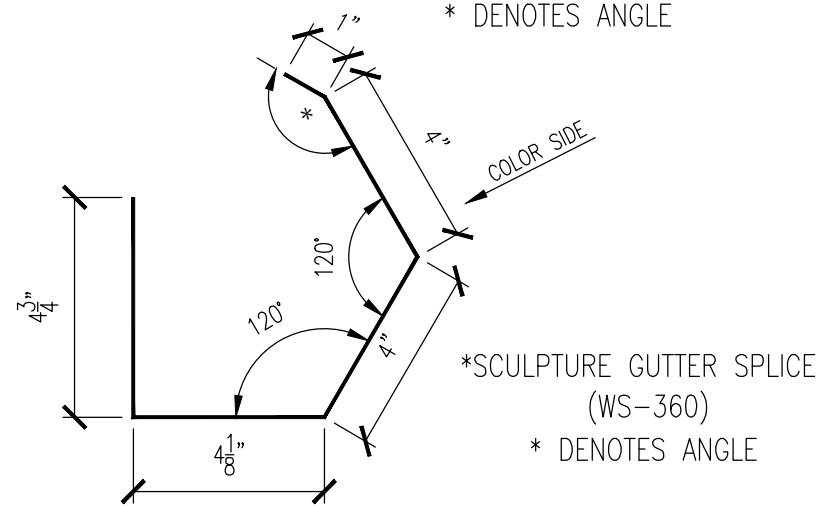
901 W. Watkins St.  
Phoenix, AZ 85007  
www.MetalForRoofing.com  
www.RustedRoofing.com  
www.MetalDeck.com

Phone: (602) 495-0048  
Fax: (602) 261-7726  
877-PURLINS (787-5467)

EAVE DETAIL POST HUNG GUTTER DETAIL	B	01-14-13
	A	08-12-12
PANEL TYPE: Western Rib Panel	REV:	DATE:
	DETAIL #:	WSD-EG2



\*GUTTER SPLICE (WS-313)  
\* DENOTES ANGLE

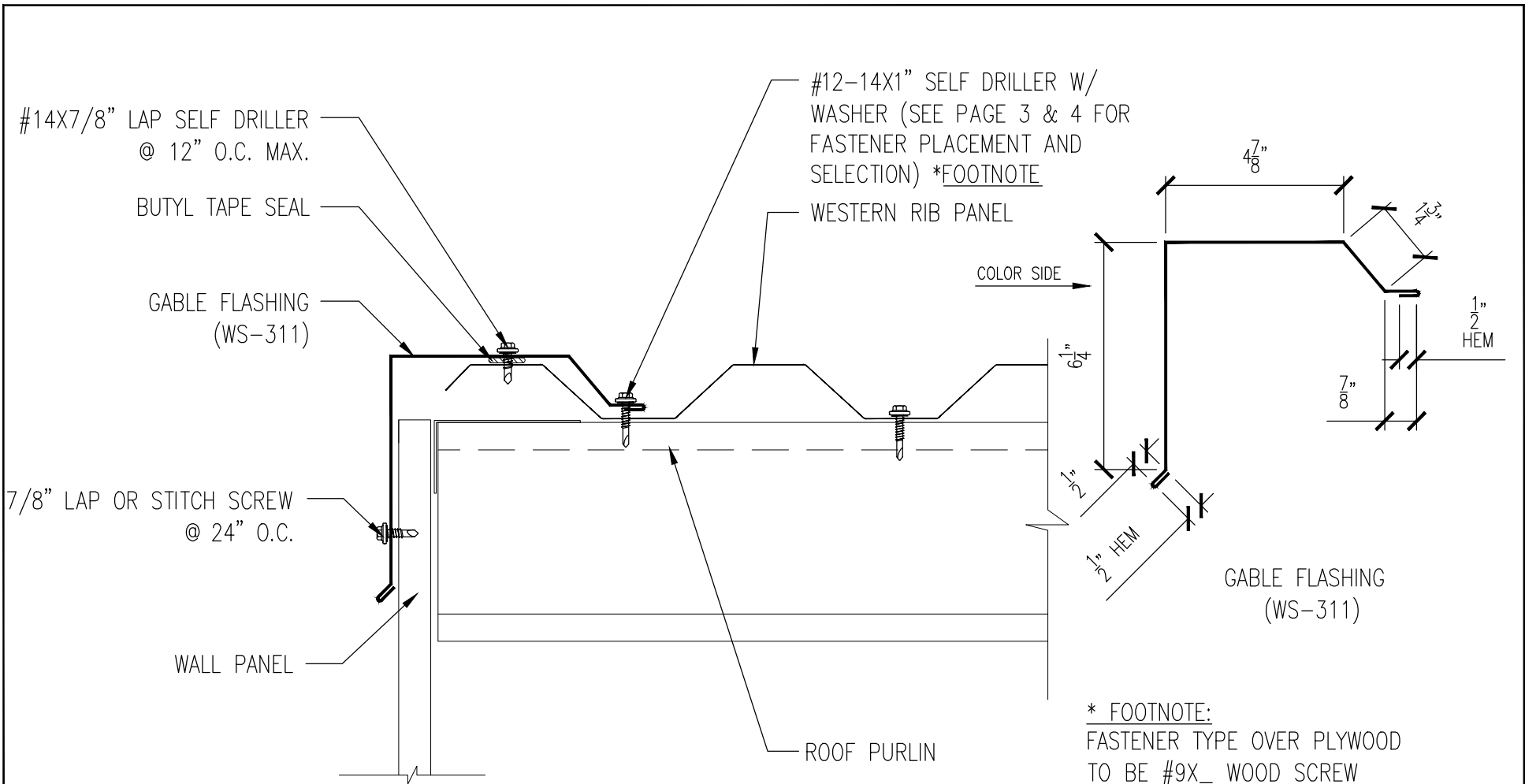


NOTE:  
GUTTER SPLICE TO BE INSTALLED ON  
OUTSIDE OF GUTTER

GAUGE: _____	COLOR: _____
BREAKS: _____	FINISH: _____
LENGTH: _____	STRETCH OUT: _____
MATERIAL: _____	

**Western States Metal Roofing**  
 901 W. Watkins St. Phone: (602) 495-0048  
 Phoenix, AZ 85007 Fax: (602) 261-7726  
 www.MetalForRoofing.com 877-PURLINS (787-5467)  
 www.RustedRoofing.com  
 www.MetalDeck.com

<b>GUTTER SPLICE DETAIL</b>	B	01-14-13
	A	08-12-12
PANEL TYPE: <b>Western Rib Panel</b>	REV:	DATE:
	DETAIL #:	<b>WSD-EG3</b>



\* FOOTNOTE:  
FASTENER TYPE OVER PLYWOOD  
TO BE #9X\_ WOOD SCREW  
FASTENER

GAUGE: _____	COLOR: _____
BREAKS: _____	FINISH: _____
LENGTH: _____	STRETCH OUT: _____
MATERIAL: _____	

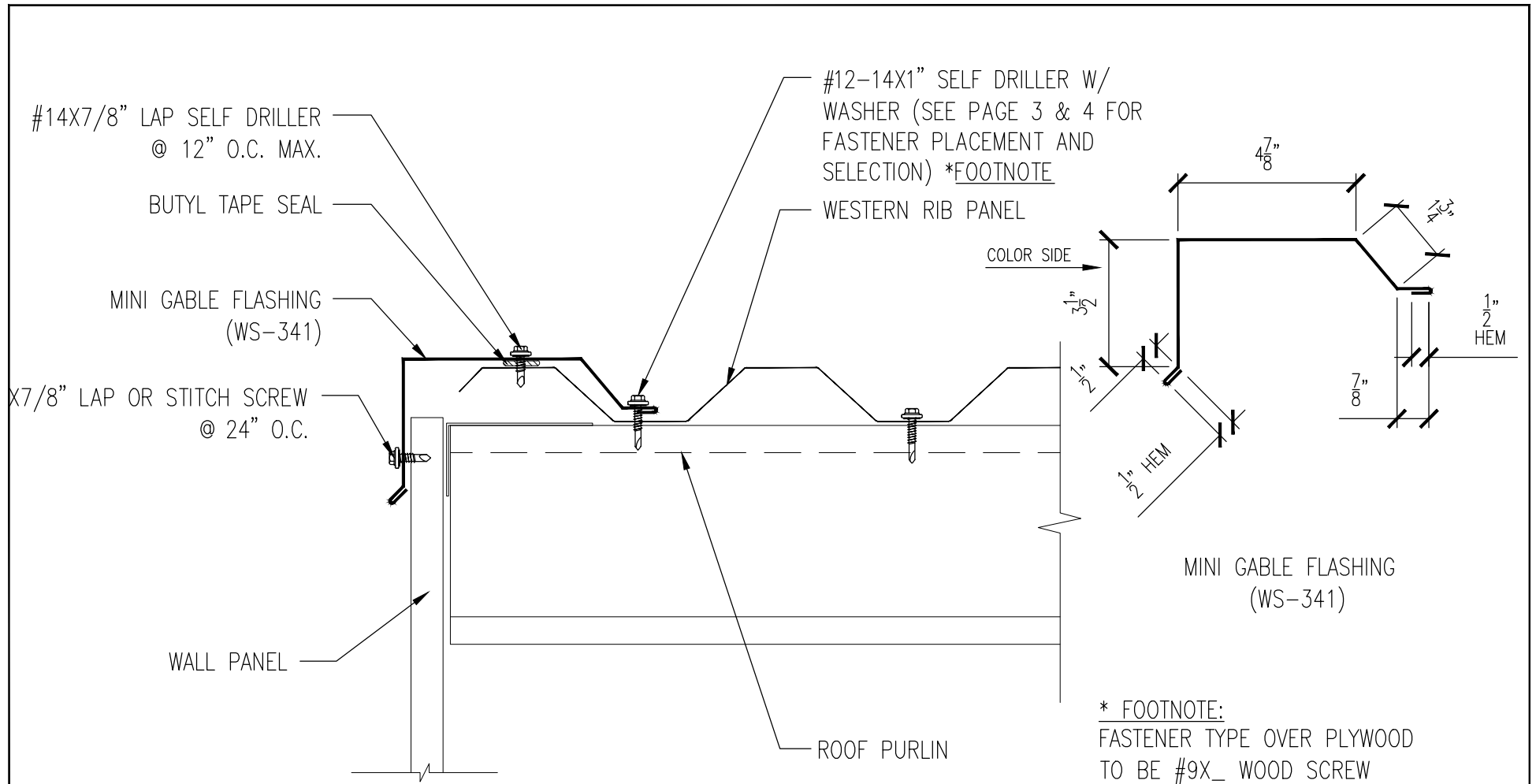
## Western States Metal Roofing

901 W. Watkins St.  
Phoenix, AZ 85007  
www.MetalForRoofing.com  
www.RustedRoofing.com  
www.MetalDeck.com

Phone: (602) 495-0048  
Fax: (602) 261-7726  
877-PURLINS (787-5467)

GABLE FLASHING DETAIL	B	01-14-13
	A	08-12-12
PANEL TYPE: Western Rib Panel	REV:	DATE:
	DETAIL #: WSD-GF2	



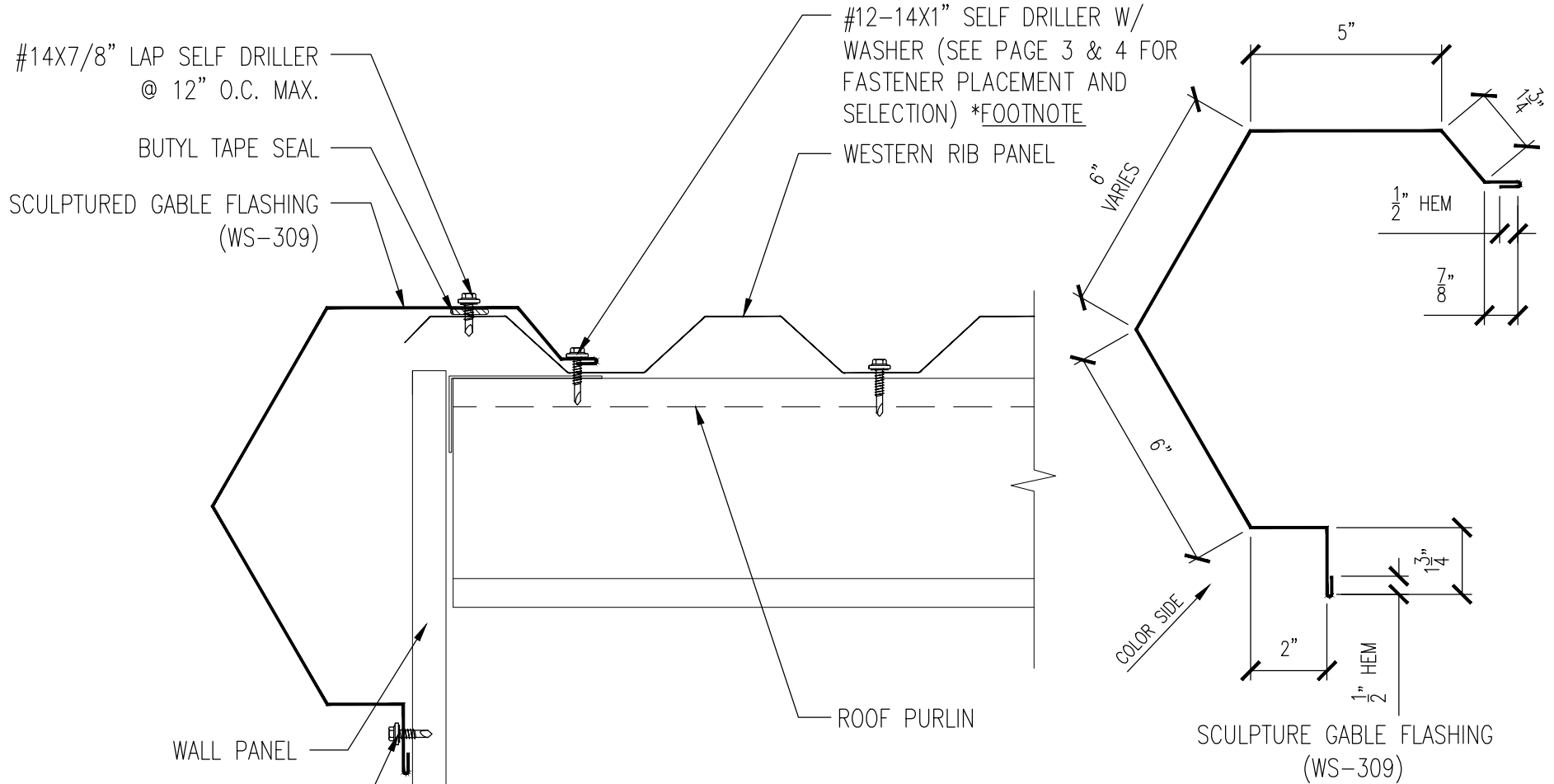


\* FOOTNOTE:  
 FASTENER TYPE OVER PLYWOOD  
 TO BE #9X\_ WOOD SCREW  
 FASTENER

GAUGE: _____	COLOR: _____
BREAKS: _____	FINISH: _____
LENGTH: _____	STRETCH OUT: _____
MATERIAL: _____	

**Western States Metal Roofing**  
 901 W. Watkins St. Phone: (602) 495-0048  
 Phoenix, AZ 85007 Fax: (602) 261-7726  
 www.MetalForRoofing.com 877-PURLINS (787-5467)  
 www.RustedRoofing.com  
 www.MetalDeck.com

MINI GABLE FLASHING DETAIL	B	01-14-13
	A	08-12-12
PANEL TYPE: Western Rib Panel	REV:	DATE:
	DETAIL #: WSD-MGF2	



\* FOOTNOTE:  
FASTENER TYPE OVER PLYWOOD  
TO BE #9X\_ WOOD SCREW  
FASTENER

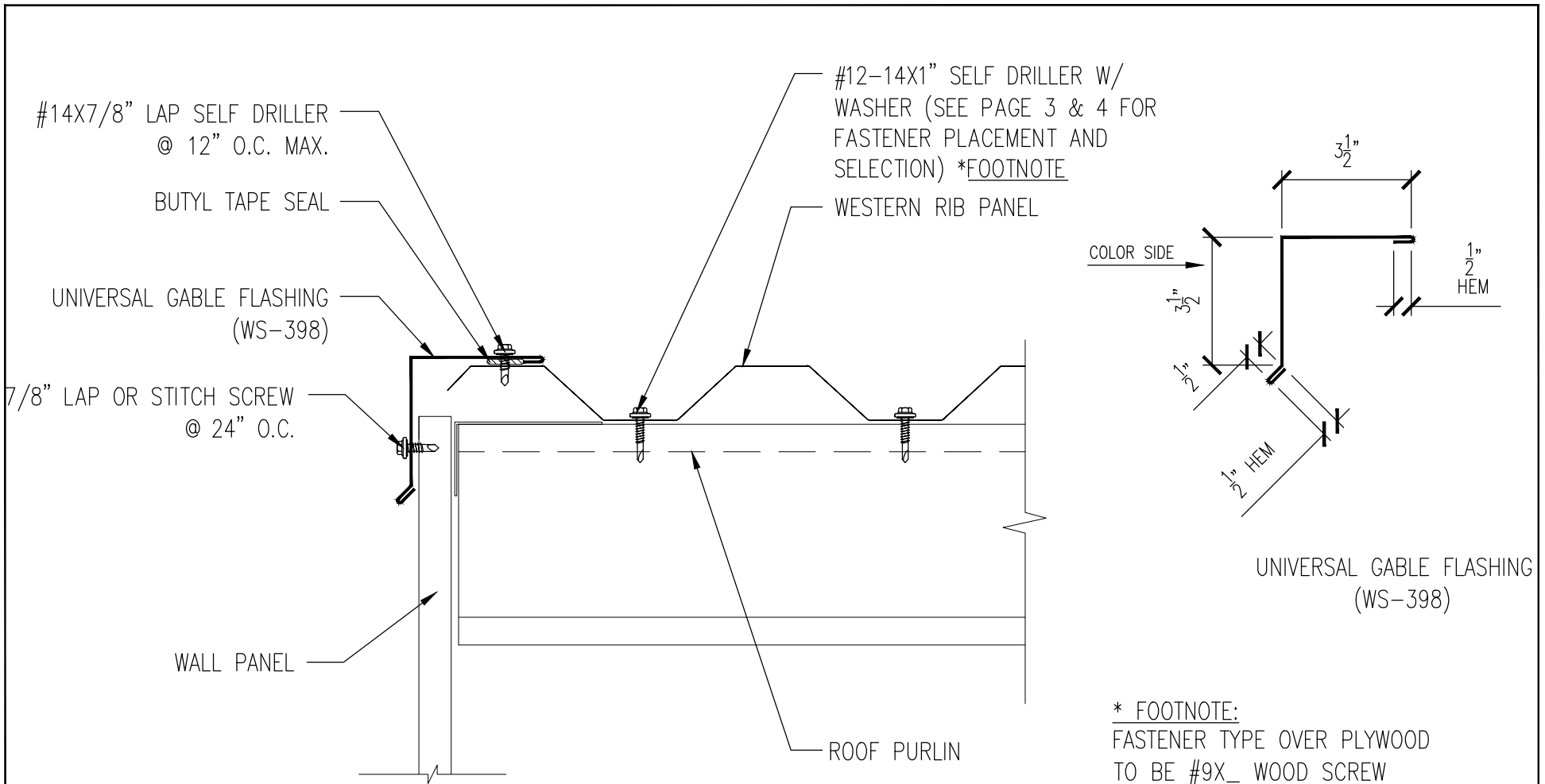
GAUGE: _____	COLOR: _____
BREAKS: _____	FINISH: _____
LENGTH: _____	STRETCH OUT: _____
MATERIAL: _____	

## Western States Metal Roofing

901 W. Watkins St.  
Phoenix, AZ 85007  
www.MetalForRoofing.com  
www.RustedRoofing.com  
www.MetalDeck.com

Phone: (602) 495-0048  
Fax: (602) 261-7726  
877-PURLINS (787-5467)

SCULPTURED GABLE FLASHING DETAIL	B	01-14-13
	A	08-12-12
PANEL TYPE: Western Rib Panel	REV:	DATE:
	DETAIL #: WSD-SGF2	



\* FOOTNOTE:  
 FASTENER TYPE OVER PLYWOOD  
 TO BE #9X\_ WOOD SCREW  
 FASTENER

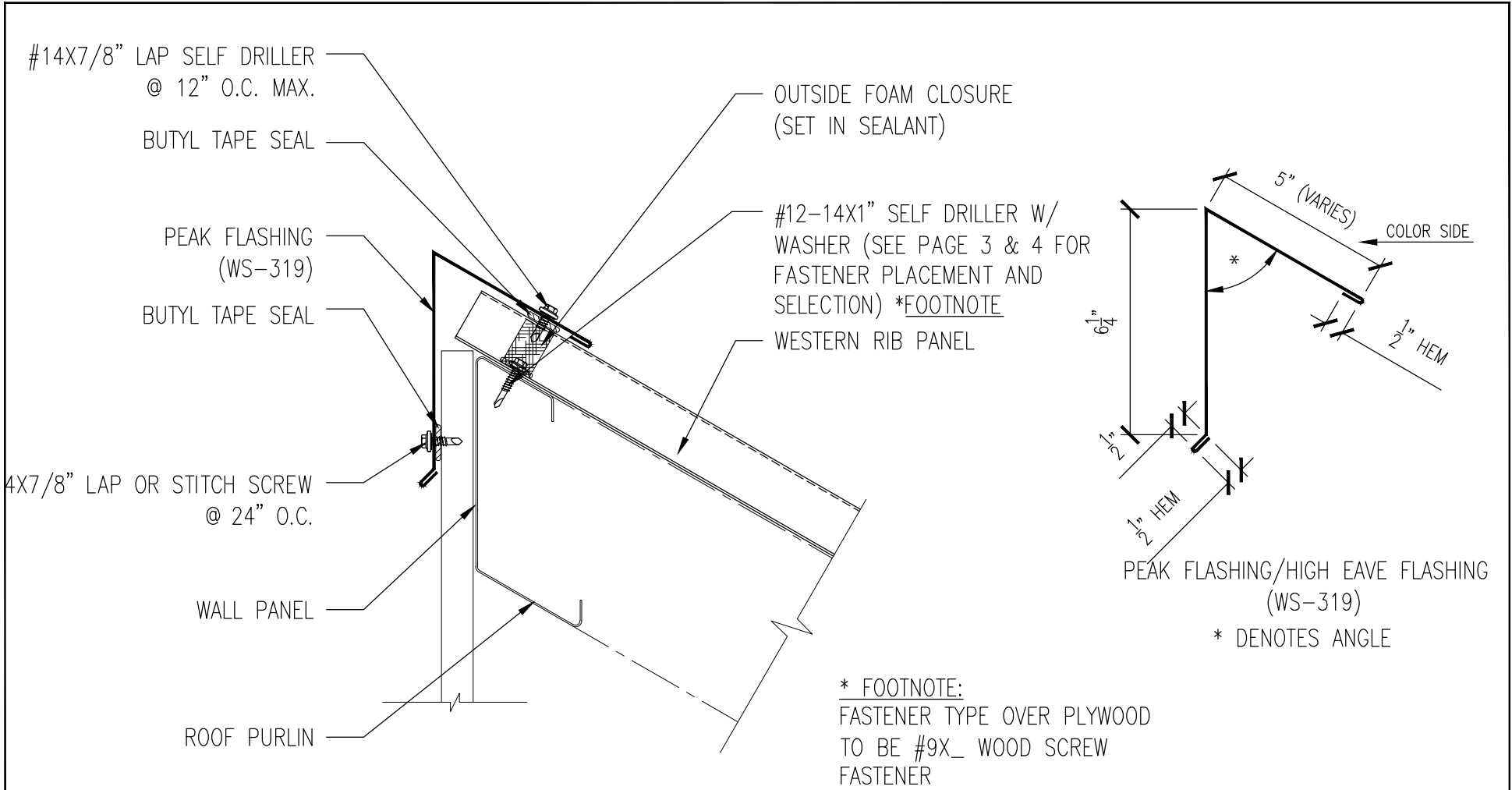
GAUGE: _____	COLOR: _____
BREAKS: _____	FINISH: _____
LENGTH: _____	STRETCH OUT: _____
MATERIAL: _____	

# Western States Metal Roofing

901 W. Watkins St.  
 Phoenix, AZ 85007  
[www.MetalForRoofing.com](http://www.MetalForRoofing.com)  
[www.RustedRoofing.com](http://www.RustedRoofing.com)  
[www.MetalDeck.com](http://www.MetalDeck.com)

Phone: (602) 495-0048  
 Fax: (602) 261-7726  
 877-PURLINS (787-5467)

UNIVERSAL GABLE FLASHING DETAIL	B	01-14-13
	A	08-12-12
PANEL TYPE: Western Rib Panel	REV:	DATE:
	DETAIL #: WSD-UGF2	



\* FOOTNOTE:  
FASTENER TYPE OVER PLYWOOD  
TO BE #9X\_ WOOD SCREW  
FASTENER

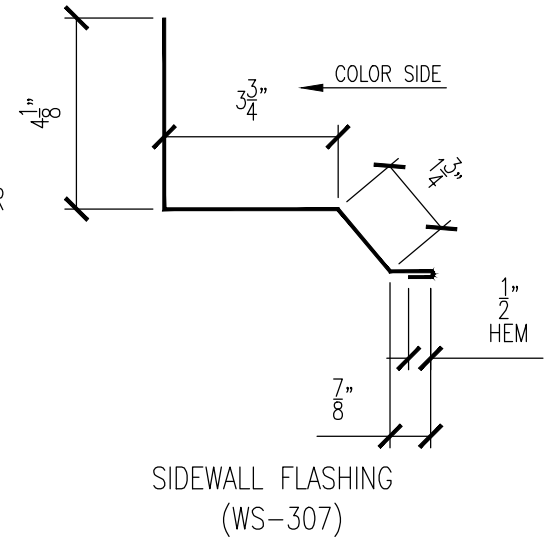
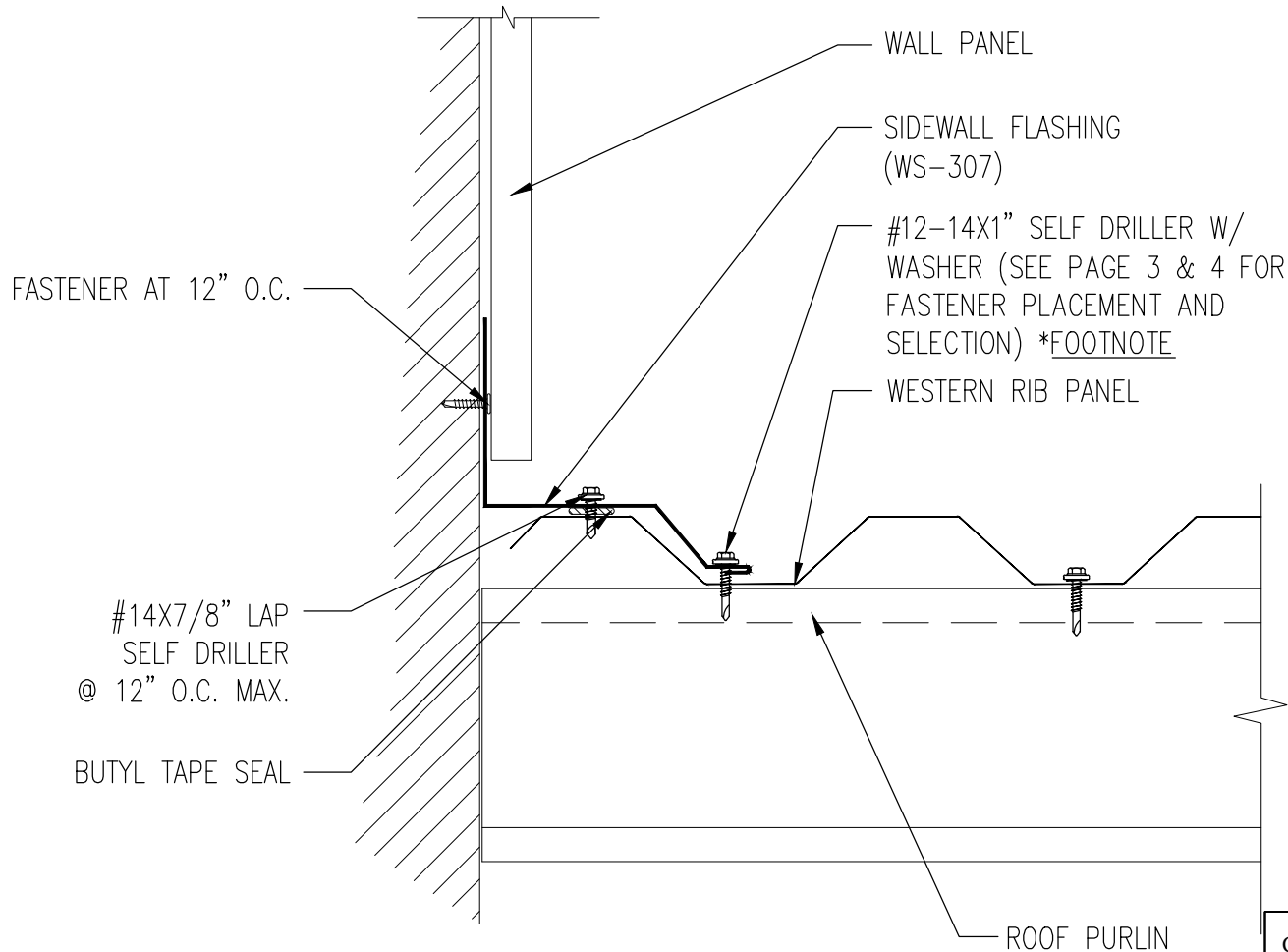
GAUGE: _____	COLOR: _____
BREAKS: _____	FINISH: _____
LENGTH: _____	STRETCH OUT: _____
MATERIAL: _____	

# Western States Metal Roofing

901 W. Watkins St.  
Phoenix, AZ 85007  
www.MetalForRoofing.com  
www.RustedRoofing.com  
www.MetalDeck.com

Phone: (602) 495-0048  
Fax: (602) 261-7726  
877-PURLINS (787-5467)

PEAK FLASHING/ HIGH EAVE DETAIL	B	01-14-13
	A	08-12-12
PANEL TYPE: Western Rib Panel	REV:	DATE:
	DETAIL #: WSD-PK3	



\* FOOTNOTE:  
FASTENER TYPE OVER PLYWOOD  
TO BE #9X\_ WOOD SCREW  
FASTENER

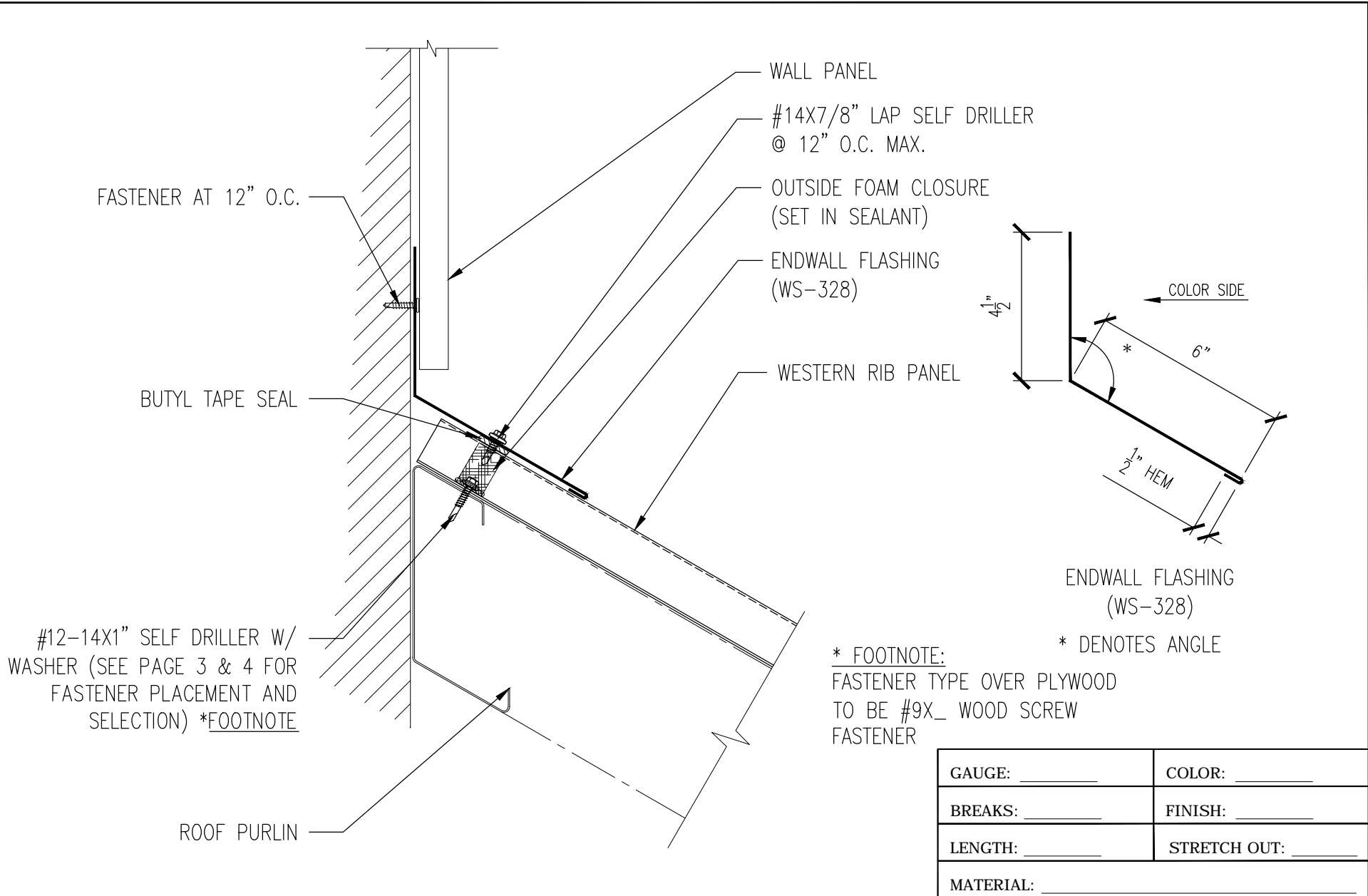
GAUGE: _____	COLOR: _____
BREAKS: _____	FINISH: _____
LENGTH: _____	STRETCH OUT: _____
MATERIAL: _____	

## Western States Metal Roofing

901 W. Watkins St.  
Phoenix, AZ 85007  
www.MetalForRoofing.com  
www.RustedRoofing.com  
www.MetalDeck.com

Phone: (602) 495-0048  
Fax: (602) 261-7726  
877-PURLINS (787-5467)

<b>SIDEWALL FLASHING DETAIL</b>	B	01-14-13
	A	08-12-12
PANEL TYPE: <b>Western Rib Panel</b>	REV:	DATE:
	DETAIL #: <b>WSD-SW4</b>	



\* FOOTNOTE:  
FASTENER TYPE OVER PLYWOOD  
TO BE #9X\_ WOOD SCREW  
FASTENER

ENDWALL FLASHING  
(WS-328)

\* DENOTES ANGLE

GAUGE: _____	COLOR: _____
BREAKS: _____	FINISH: _____
LENGTH: _____	STRETCH OUT: _____
MATERIAL: _____	

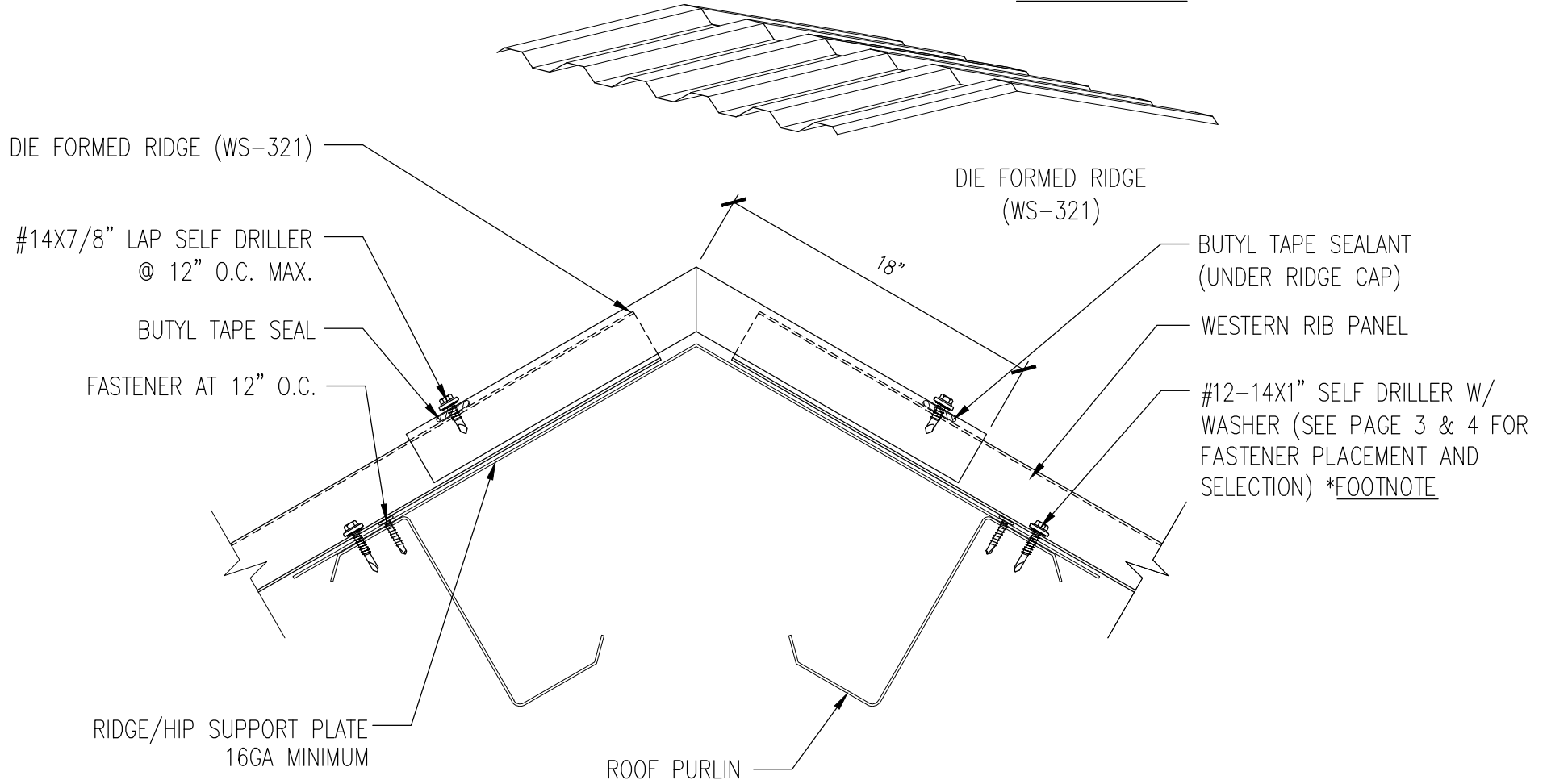
# Western States Metal Roofing

901 W. Watkins St.  
Phoenix, AZ 85007  
www.MetalForRoofing.com  
www.RustedRoofing.com  
www.MetalDeck.com

Phone: (602) 495-0048  
Fax: (602) 261-7726  
877-PURLINS (787-5467)

ENDWALL FLASHING DETAIL	B	01-14-13
	A	08-12-12
PANEL TYPE: Western Rib Panel	REV:	DATE:
	DETAIL #: WSD-EW5	

\* 6:12 PITCH MAX.



\* FOOTNOTE:  
FASTENER TYPE OVER PLYWOOD  
TO BE #9X\_ WOOD SCREW  
FASTENER

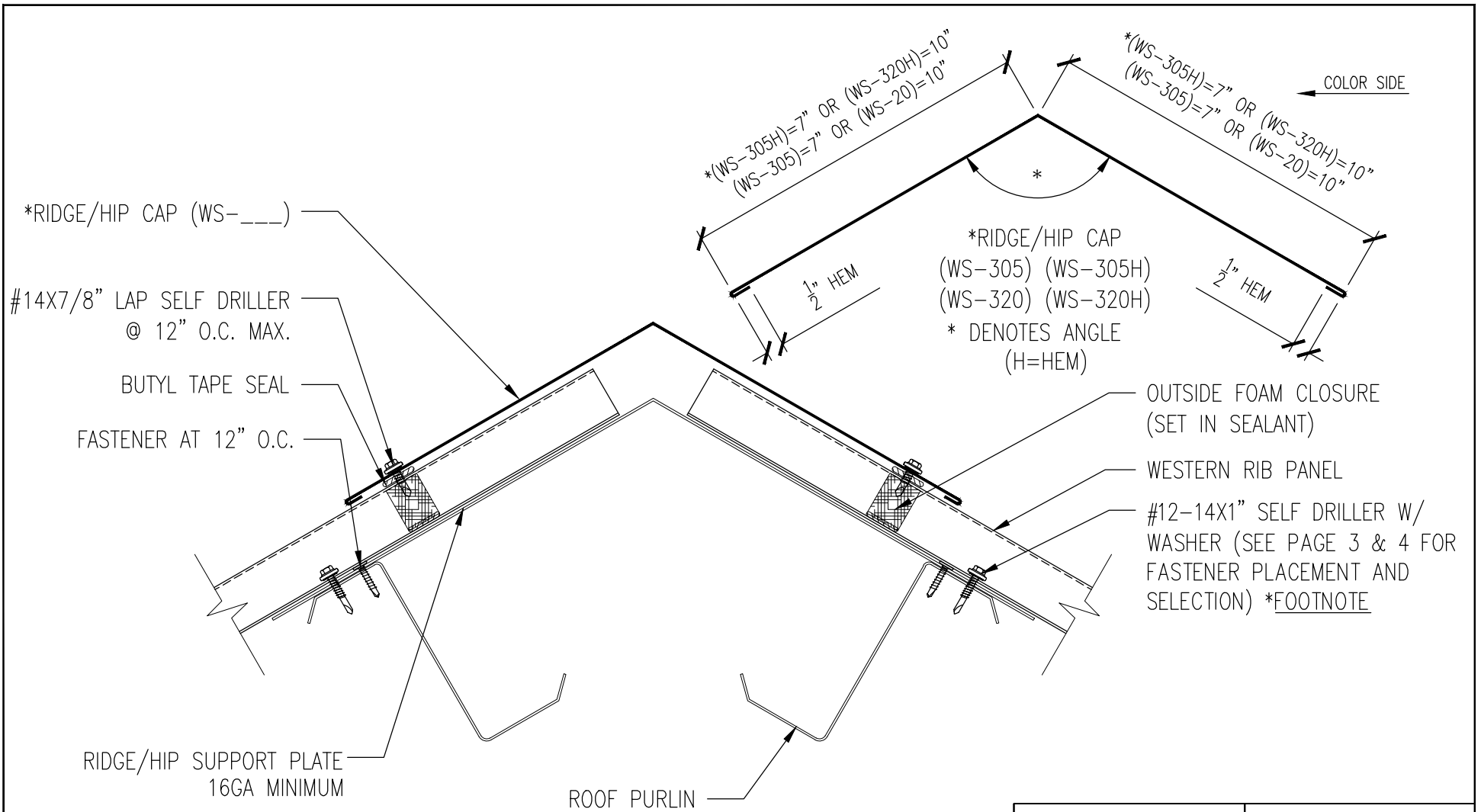
GAUGE: _____	COLOR: _____
BREAKS: _____	FINISH: _____
LENGTH: _____	STRETCH OUT: _____
MATERIAL: _____	

# Western States Metal Roofing

901 W. Watkins St.  
Phoenix, AZ 85007  
www.MetalForRoofing.com  
www.RustedRoofing.com  
www.MetalDeck.com

Phone: (602) 495-0048  
Fax: (602) 261-7726  
877-PURLINS (787-5467)

FORMED RIDGE DETAIL	B	01-14-13
	A	08-12-12
PANEL TYPE: Western Rib Panel	REV:	DATE:
	DETAIL #: WSD-FR6	



\* FOOTNOTE:  
 FASTENER TYPE OVER PLYWOOD  
 TO BE #9X\_ WOOD SCREW  
 FASTENER

GAUGE: _____	COLOR: _____
BREAKS: _____	FINISH: _____
LENGTH: _____	STRETCH OUT: _____
MATERIAL: _____	

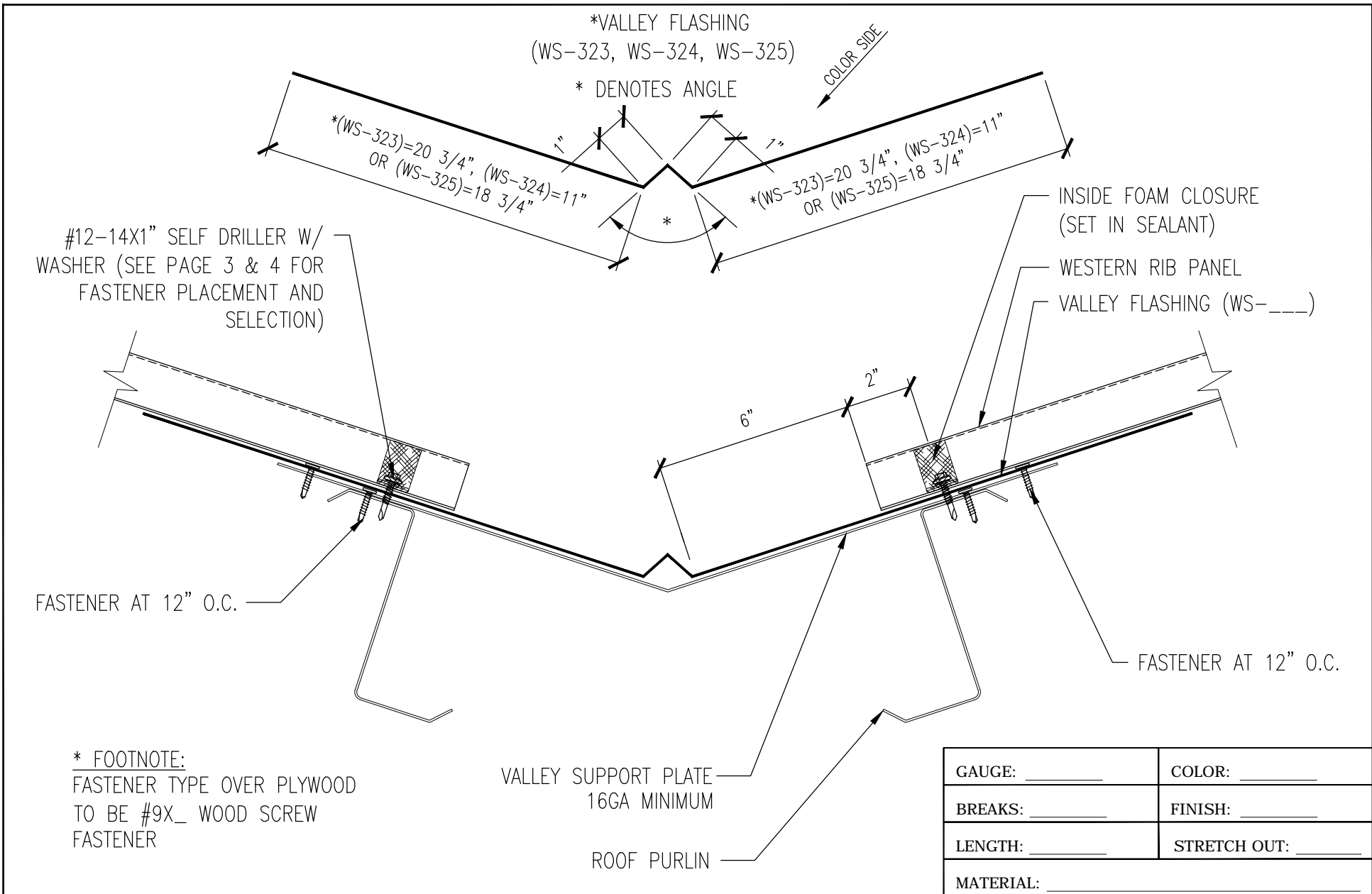
## Western States Metal Roofing

901 W. Watkins St.  
 Phoenix, AZ 85007  
 www.MetalForRoofing.com  
 www.RustedRoofing.com  
 www.MetalDeck.com

Phone: (602) 495-0048  
 Fax: (602) 261-7726  
 877-PURLINS (787-5467)

RIDGE/HIP CAP DETAIL	B	01-14-13
	A	08-12-12
PANEL TYPE: Western Rib Panel	REV:	DATE:
	DETAIL #:	WSD-RH6





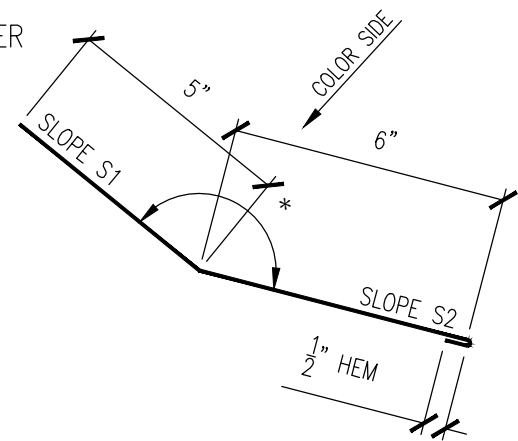
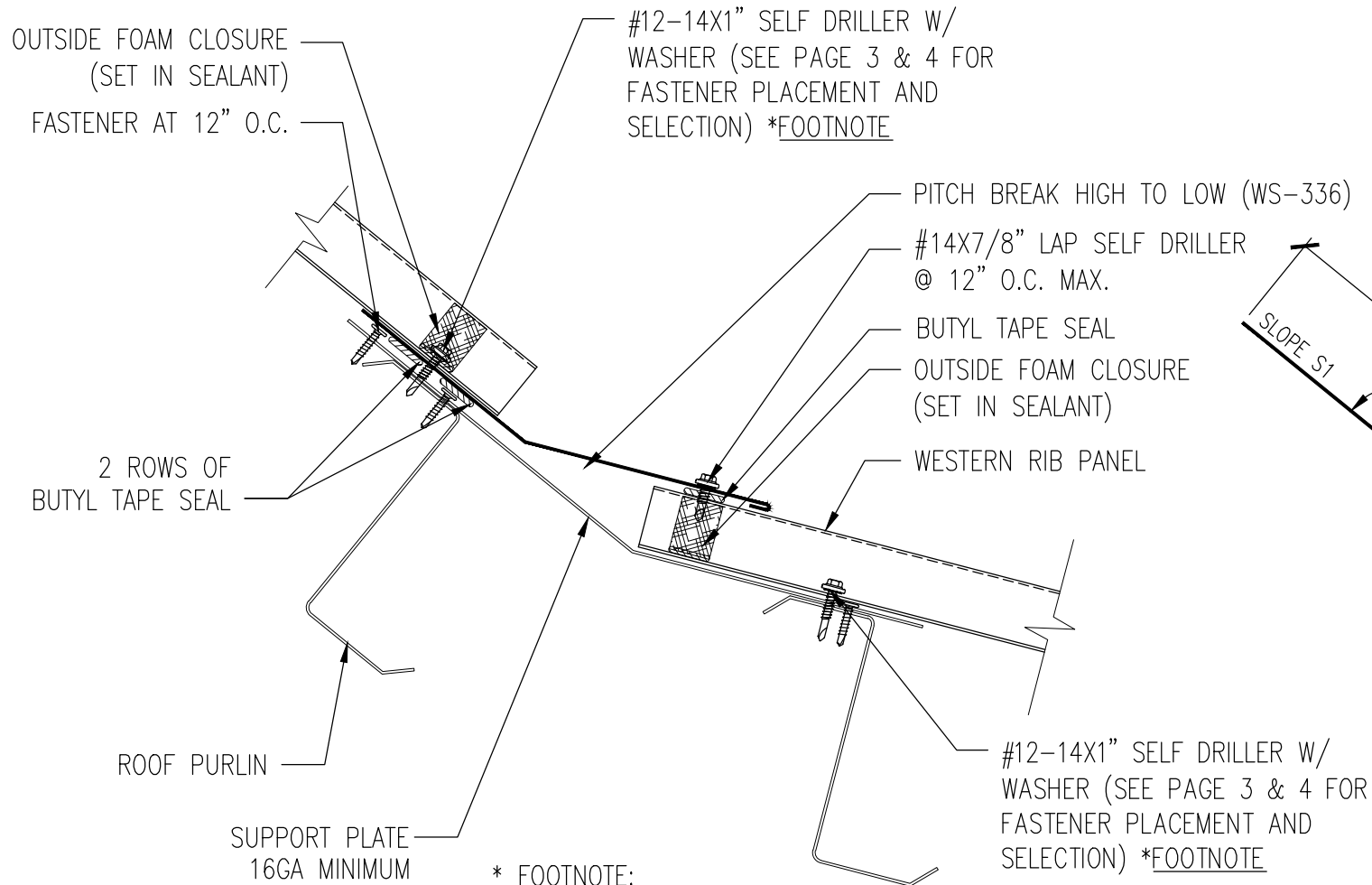
GAUGE: _____	COLOR: _____
BREAKS: _____	FINISH: _____
LENGTH: _____	STRETCH OUT: _____
MATERIAL: _____	

# Western States Metal Roofing

901 W. Watkins St.  
Phoenix, AZ 85007  
www.MetalForRoofing.com  
www.RustedRoofing.com  
www.MetalDeck.com

Phone: (602) 495-0048  
Fax: (602) 261-7726  
877-PURLINS (787-5467)

VALLEY DETAIL	B	01-14-13
	A	08-12-12
PANEL TYPE: Western Rib Panel	REV:	DATE:
	DETAIL #: WSD-V7	



PITCH BREAK HIGH TO LOW FLASHING (WS-336)  
\* DENOTES ANGLE

\* FOOTNOTE:  
FASTENER TYPE OVER PLYWOOD  
TO BE #9X\_ WOOD SCREW  
FASTENER

GAUGE: _____	COLOR: _____
BREAKS: _____	FINISH: _____
LENGTH: _____	STRETCH OUT: _____
MATERIAL: _____	

**Western States Metal Roofing**  
 901 W. Watkins St. Phone: (602) 495-0048  
 Phoenix, AZ 85007 Fax: (602) 261-7726  
 www.MetalForRoofing.com 877-PURLINS (787-5467)  
 www.RustedRoofing.com  
 www.MetalDeck.com

PITCH BREAK HIGH TO LOW DETAIL	B	01-14-13
	A	08-12-12
PANEL TYPE: Western Rib Panel	REV:	DATE:
	DETAIL #: WSD-PB8	

#12-14X1" SELF DRILLER W/  
WASHER (SEE PAGE 3 & 4 FOR  
FASTENER PLACEMENT AND  
SELECTION)

FASTENER AT 12" O.C.

WESTERN RIB PANEL

OUTSIDE FOAM CLOSURE  
(SET IN SEALANT)

PITCH BREAK LOW TO HIGH (WS-337)

#14X7/8" LAP SELF DRILLER  
@ 12" O.C. MAX.

BUTYL TAPE SEAL

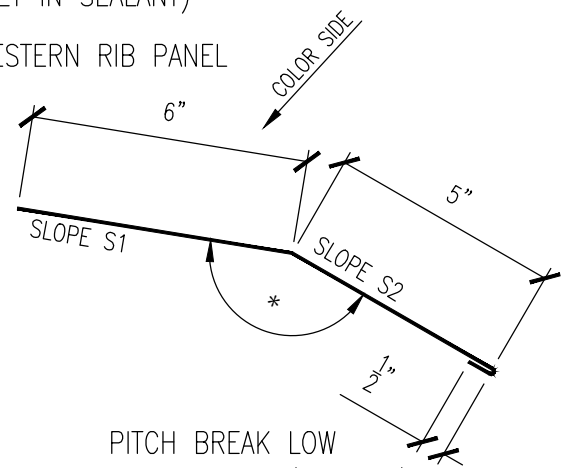
OUTSIDE FOAM CLOSURE  
(SET IN SEALANT)

WESTERN RIB PANEL

FASTENER AT 12" O.C.

2 ROWS OF BUTYL TAPE SEAL

SUPPORT PLATE  
16GA MINIMUM



PITCH BREAK LOW  
TO HIGH FLASHING (WS-337)

\* DENOTES ANGLE

#12-14X1" SELF DRILLER W/  
WASHER (SEE PAGE 3 & 4 FOR  
FASTENER PLACEMENT AND  
SELECTION)

FASTENER AT 12" O.C.

ROOF PURLIN

\* FOOTNOTE:  
FASTENER TYPE OVER PLYWOOD  
TO BE #9X\_ WOOD SCREW  
FASTENER

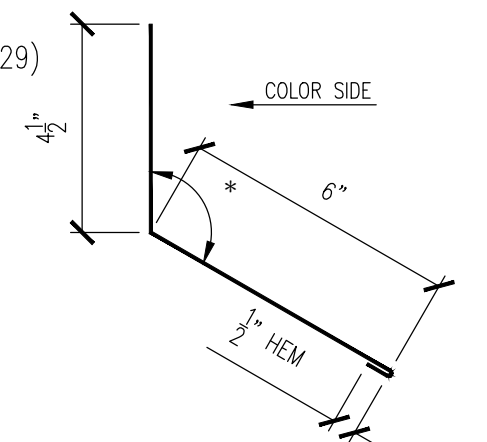
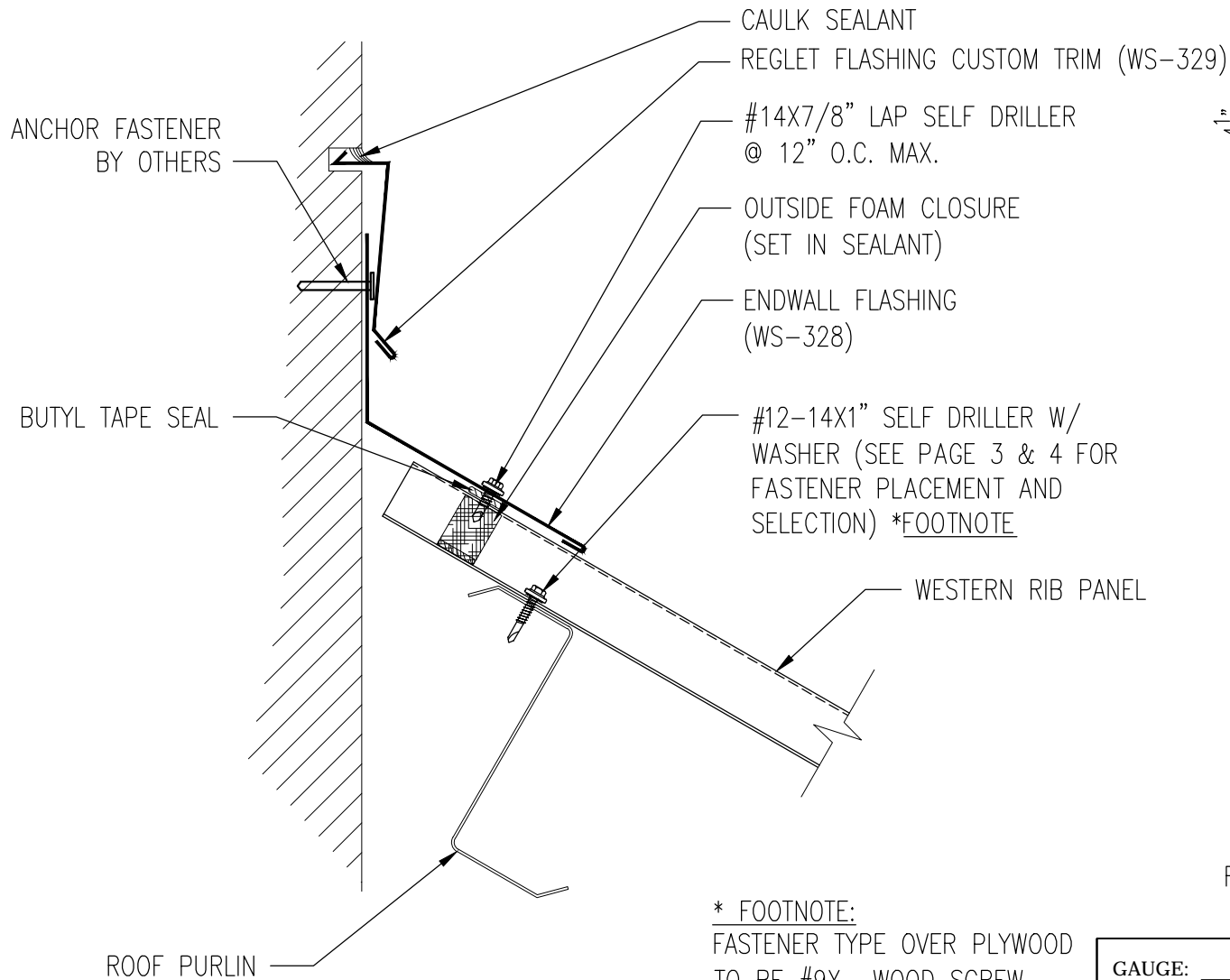
GAUGE: _____	COLOR: _____
BREAKS: _____	FINISH: _____
LENGTH: _____	STRETCH OUT: _____
MATERIAL: _____	

# Western States Metal Roofing

901 W. Watkins St.  
Phoenix, AZ 85007  
www.MetalForRoofing.com  
www.RustedRoofing.com  
www.MetalDeck.com

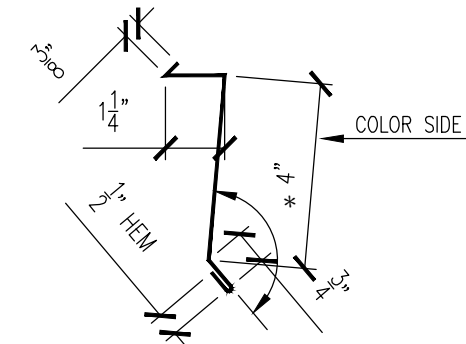
Phone: (602) 495-0048  
Fax: (602) 261-7726  
877-PURLINS (787-5467)

PITCH BREAK LOW TO HIGH DETAIL	B	01-14-13
	A	08-12-12
PANEL TYPE: Western Rib Panel	REV:	DATE:
	DETAIL #: WSD-PB9	



ENDWALL  
(WS-328)

\* DENOTES ANGLE



REGLET FLASHING CUSTOM TRIM  
(WS-329)

\* FOOTNOTE:  
FASTENER TYPE OVER PLYWOOD  
TO BE #9X\_ WOOD SCREW  
FASTENER

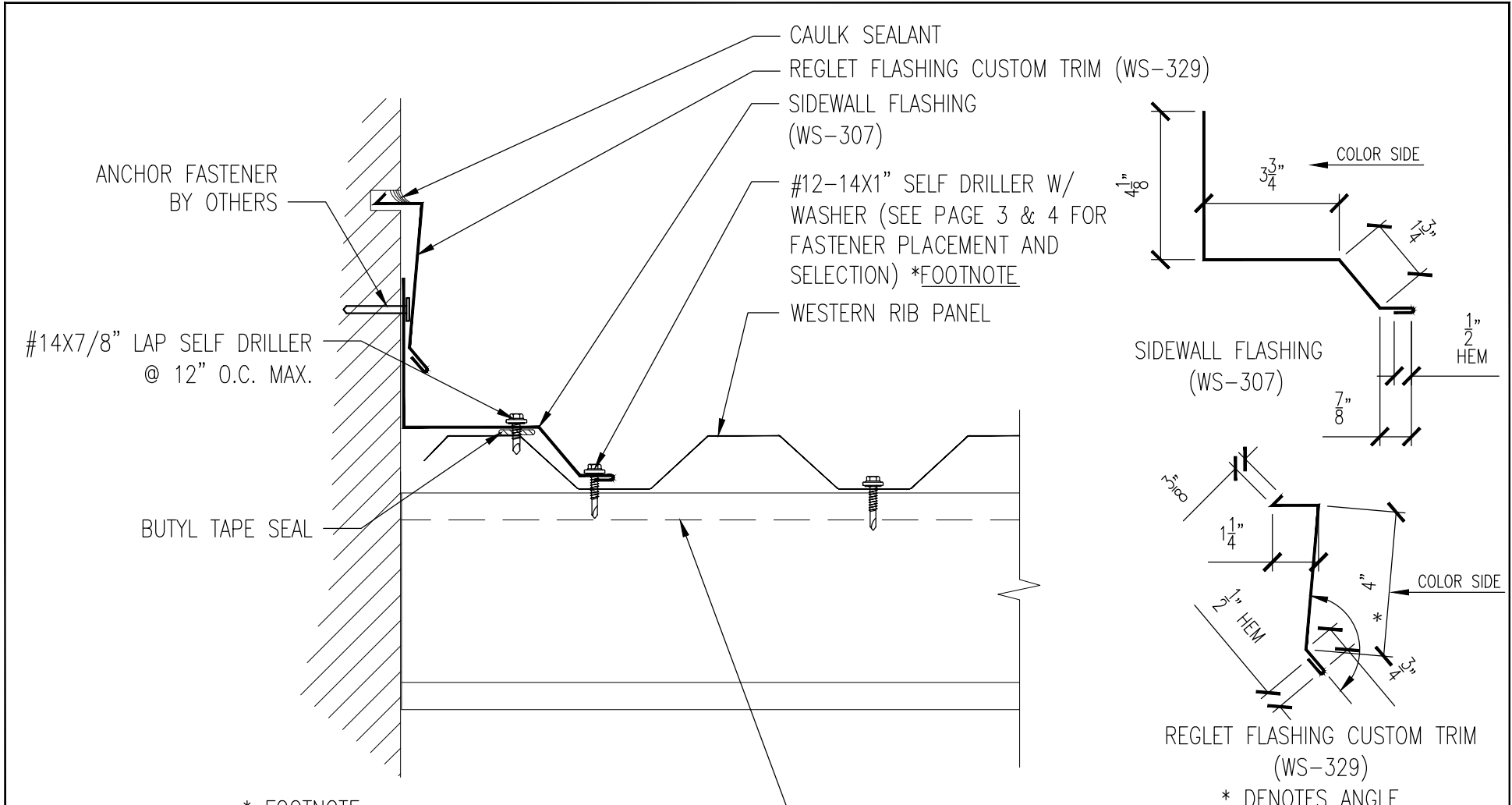
GAUGE: _____	COLOR: _____
BREAKS: _____	FINISH: _____
LENGTH: _____	STRETCH OUT: _____
MATERIAL: _____	

## Western States Metal Roofing

901 W. Watkins St.  
Phoenix, AZ 85007  
www.MetalForRoofing.com  
www.RustedRoofing.com  
www.MetalDeck.com

Phone: (602) 495-0048  
Fax: (602) 261-7726  
877-PURLINS (787-5467)

CHIMNEY FLASHING DETAILS	B	01-14-13
	A	08-12-12
PANEL TYPE: Western Rib Panel	REV:	DATE:
	DETAIL #: WSD-CF10	

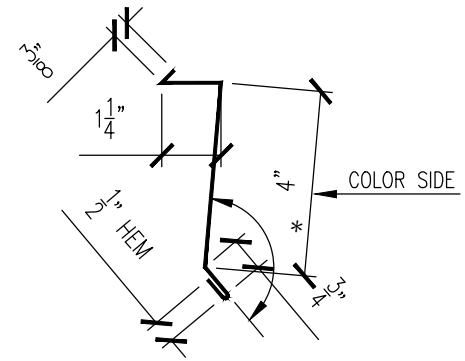
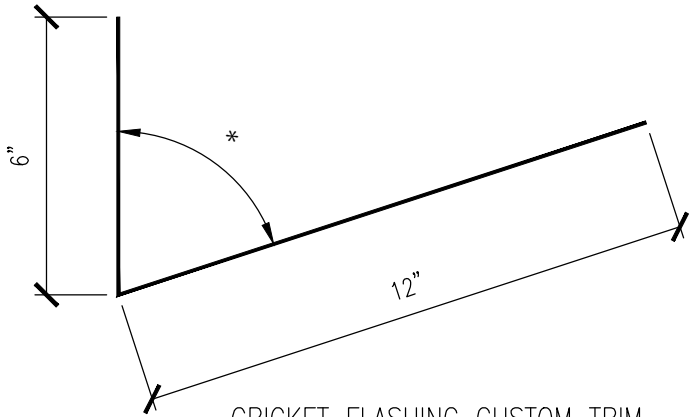
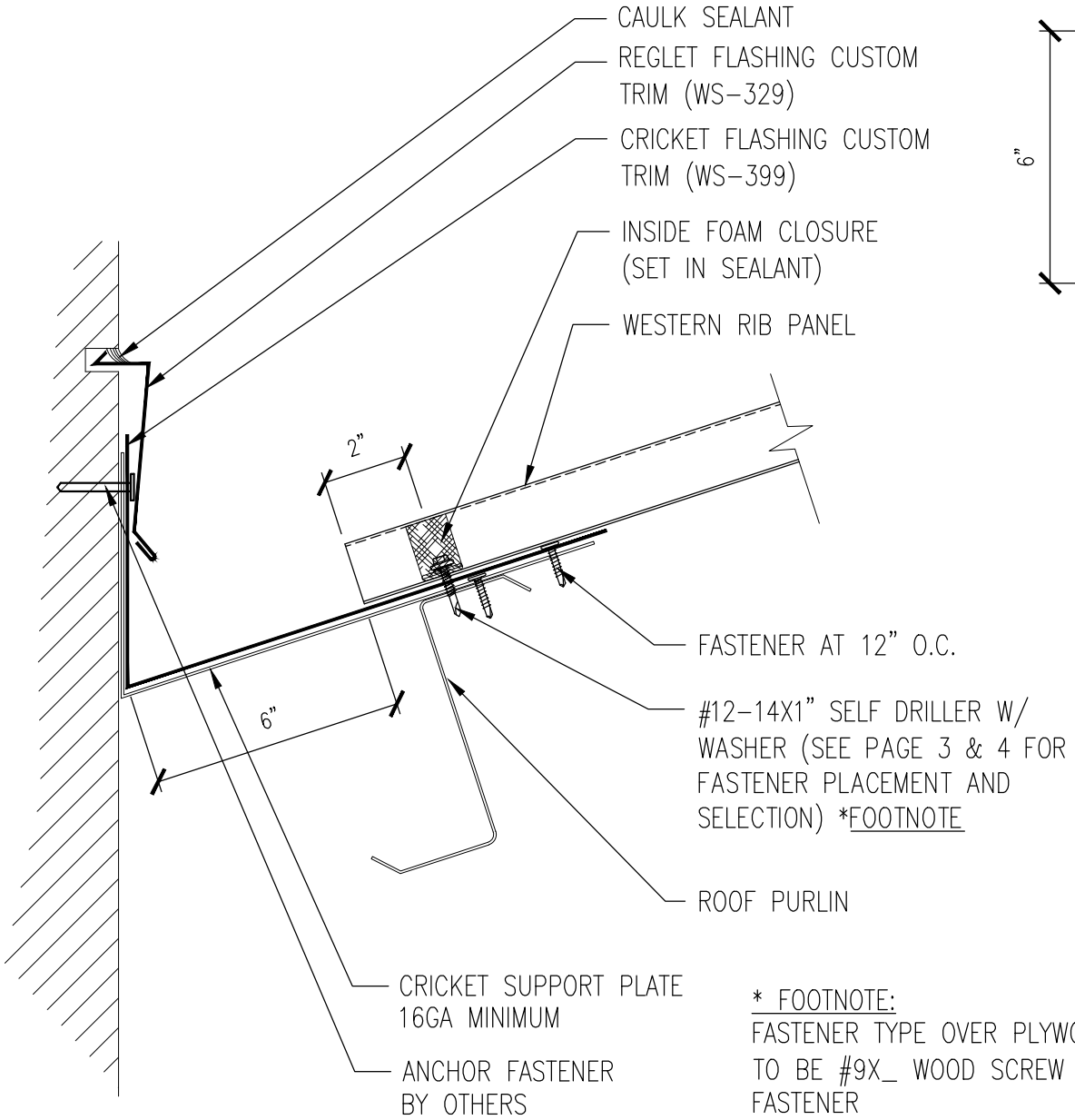


\* FOOTNOTE:  
FASTENER TYPE OVER PLYWOOD  
TO BE #9X\_ WOOD SCREW  
FASTENER

GAUGE: _____	COLOR: _____
BREAKS: _____	FINISH: _____
LENGTH: _____	STRETCH OUT: _____
MATERIAL: _____	

**Western States Metal Roofing**  
 901 W. Watkins St. Phone: (602) 495-0048  
 Phoenix, AZ 85007 Fax: (602) 261-7726  
 www.MetalForRoofing.com 877-PURLINS (787-5467)  
 www.RustedRoofing.com  
 www.MetalDeck.com

<b>CHIMNEY FLASHING DETAILS</b>	B	01-14-13
	A	08-12-12
PANEL TYPE: <b>Western Rib Panel</b>	REV:	DATE:
	DETAIL #: <b>WSD-CF11</b>	



\* FOOTNOTE:  
FASTENER TYPE OVER PLYWOOD  
TO BE #9X\_ WOOD SCREW  
FASTENER

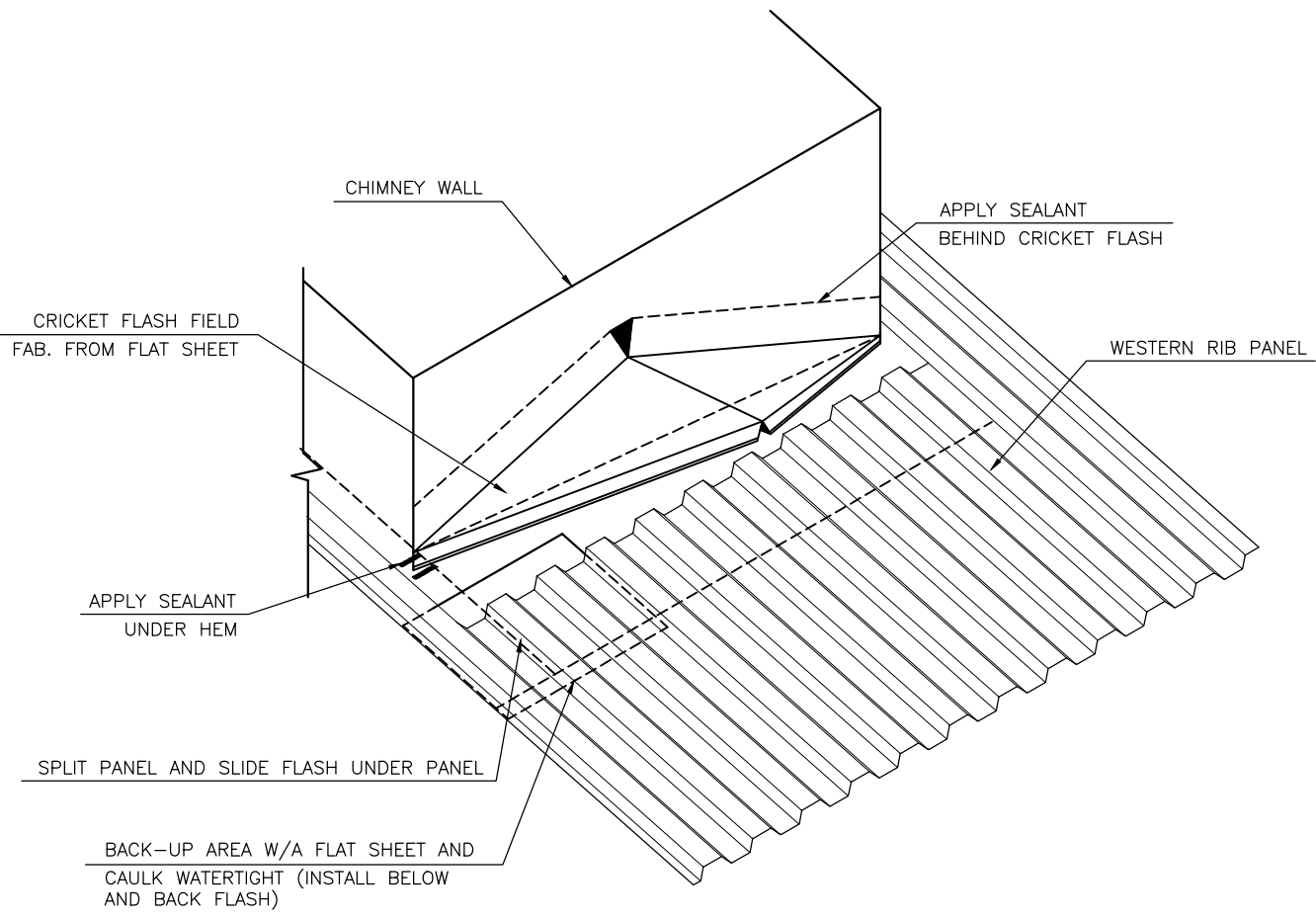
GAUGE: _____	COLOR: _____
BREAKS: _____	FINISH: _____
LENGTH: _____	STRETCH OUT: _____
MATERIAL: _____	

## Western States Metal Roofing

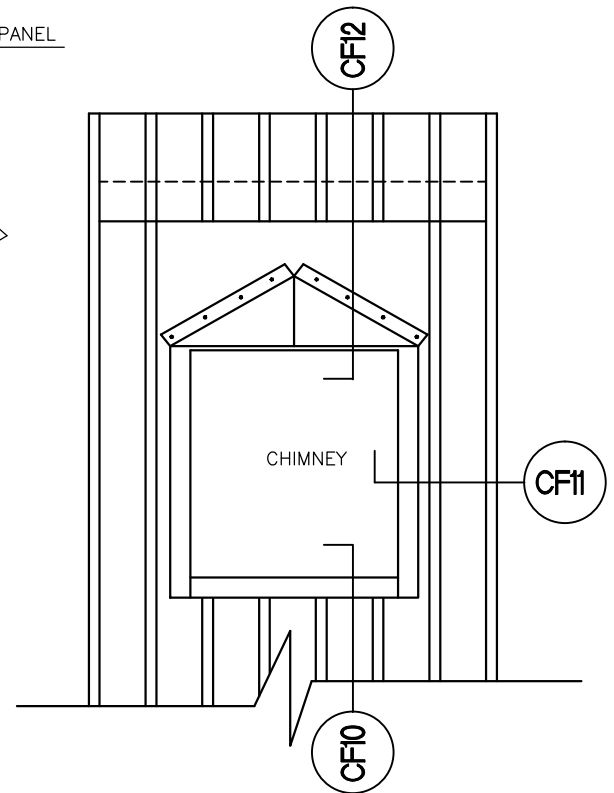
901 W. Watkins St.  
Phoenix, AZ 85007  
www.MetalForRoofing.com  
www.RustedRoofing.com  
www.MetalDeck.com

Phone: (602) 495-0048  
Fax: (602) 261-7726  
877-PURLINS (787-5467)

CHIMNEY FLASHING DETAILS	B	01-14-13
	A	08-12-12
PANEL TYPE: Western Rib Panel	REV:	DATE:
	DETAIL #: WSD-CF12	



ISOMETRIC VIEW



PLAN VIEW

# Western States Metal Roofing

901 W. Watkins St.  
 Phoenix, AZ 85007  
[www.MetalForRoofing.com](http://www.MetalForRoofing.com)  
[www.RustedRoofing.com](http://www.RustedRoofing.com)  
[www.MetalDeck.com](http://www.MetalDeck.com)

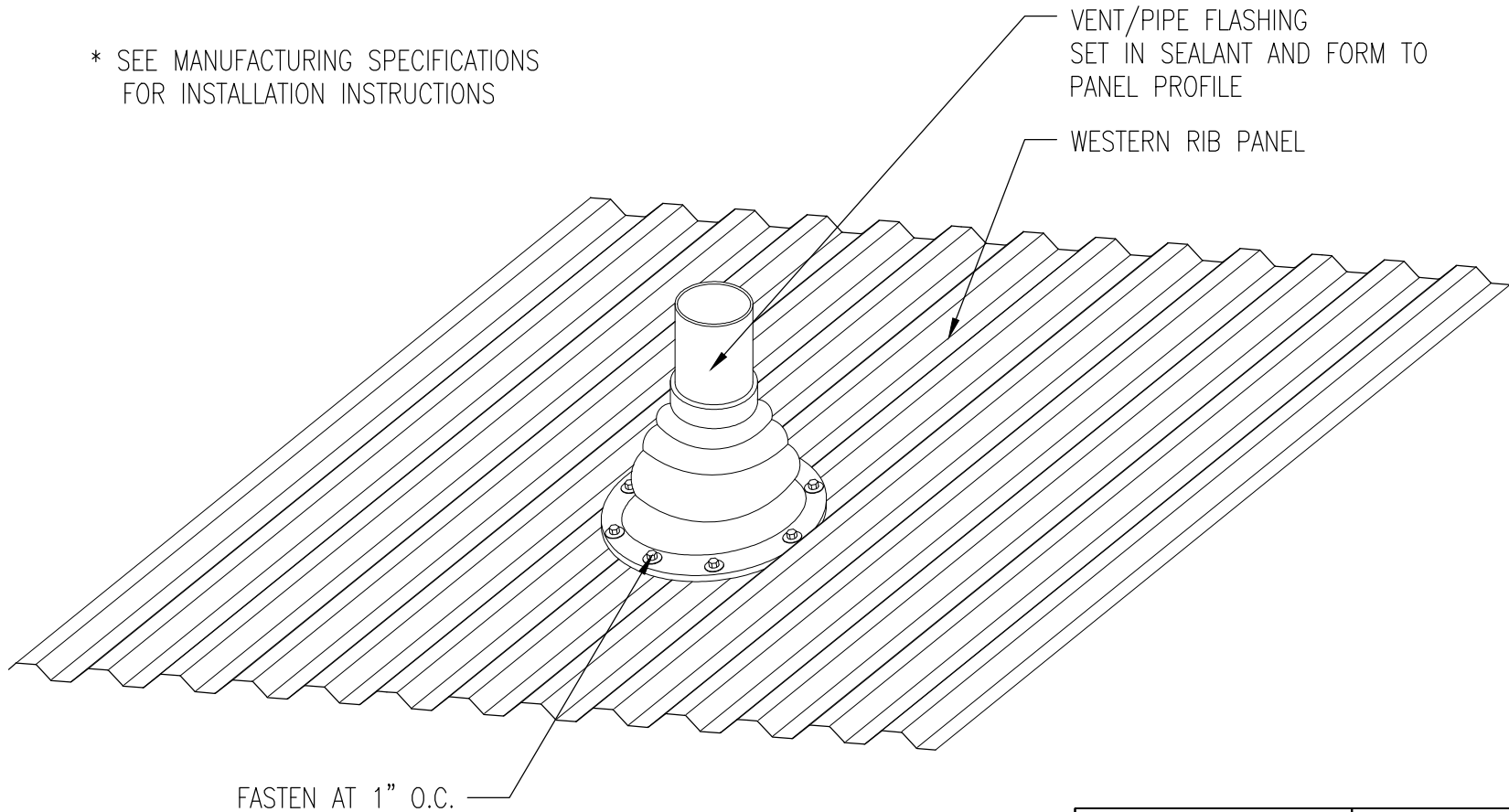
Phone: (602) 495-0048  
 Fax: (602) 261-7726  
 877-PURLINS (787-5467)

## ISOMETRIC CRICKET DETAIL @ CHIMNEY

PANEL TYPE:  
 Western Rib Panel

B	01-14-13
A	08-12-12
REV:	DATE:
DETAIL #: WSD-CF13	

\* SEE MANUFACTURING SPECIFICATIONS  
FOR INSTALLATION INSTRUCTIONS



GAUGE: _____	COLOR: _____
BREAKS: _____	FINISH: _____
LENGTH: _____	STRETCH OUT: _____
MATERIAL: _____	

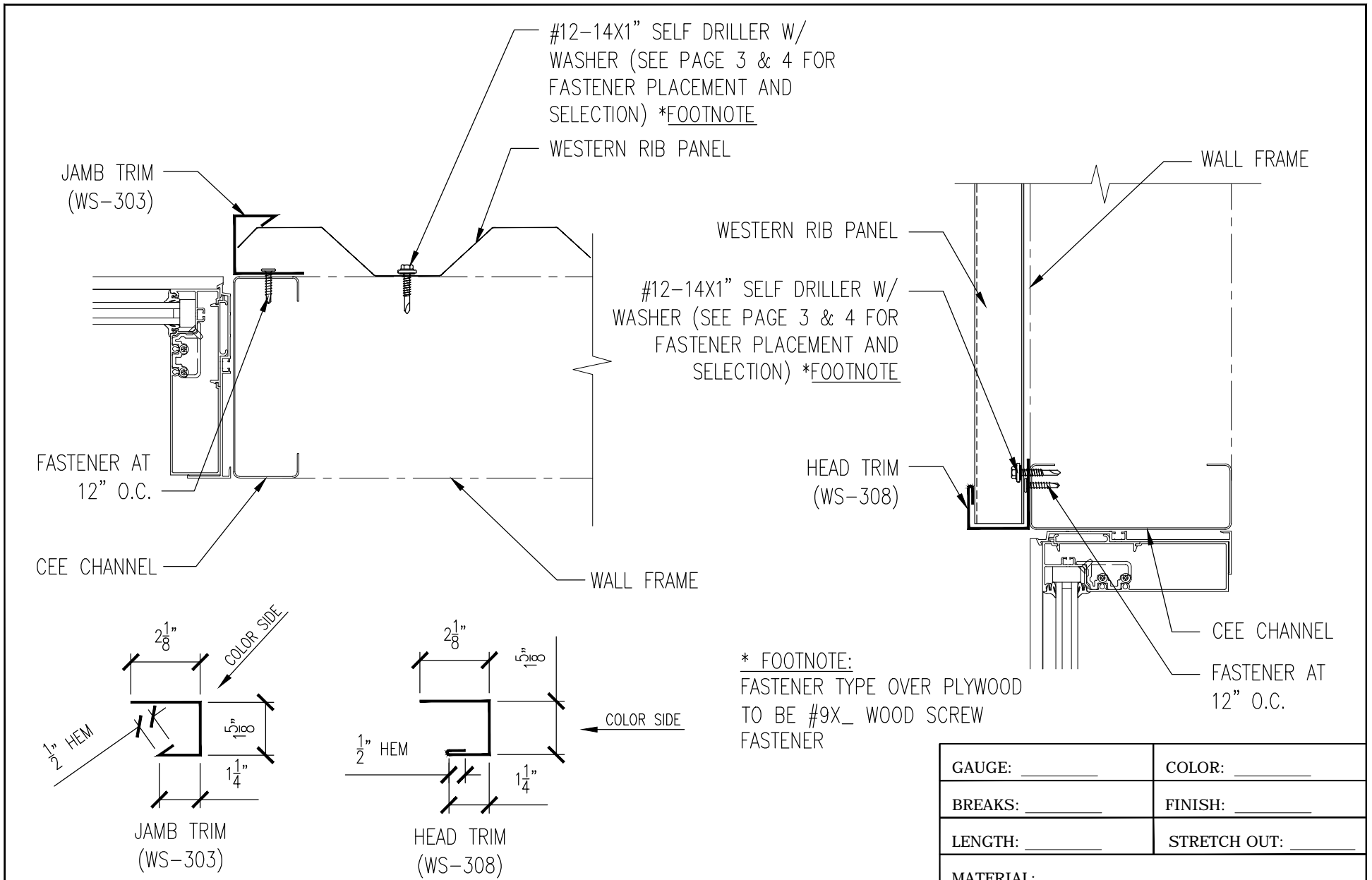
## Western States Metal Roofing

901 W. Watkins St.  
Phoenix, AZ 85007  
www.MetalForRoofing.com  
www.RustedRoofing.com  
www.MetalDeck.com

Phone: (602) 495-0048  
Fax: (602) 261-7726  
877-PURLINS (787-5467)

PIPE FLASHING DETAIL	B	01-14-13
	A	08-12-12
PANEL TYPE: Western Rib Panel	REV:	DATE:
	DETAIL #: WSD-PF14	





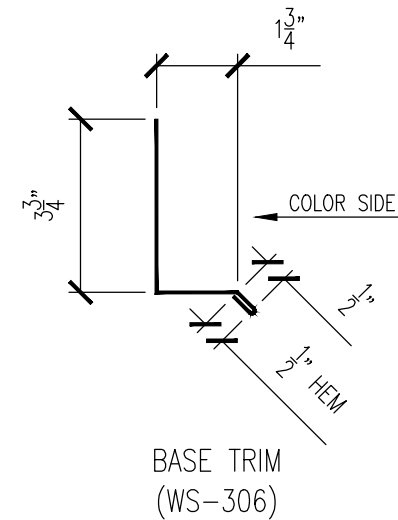
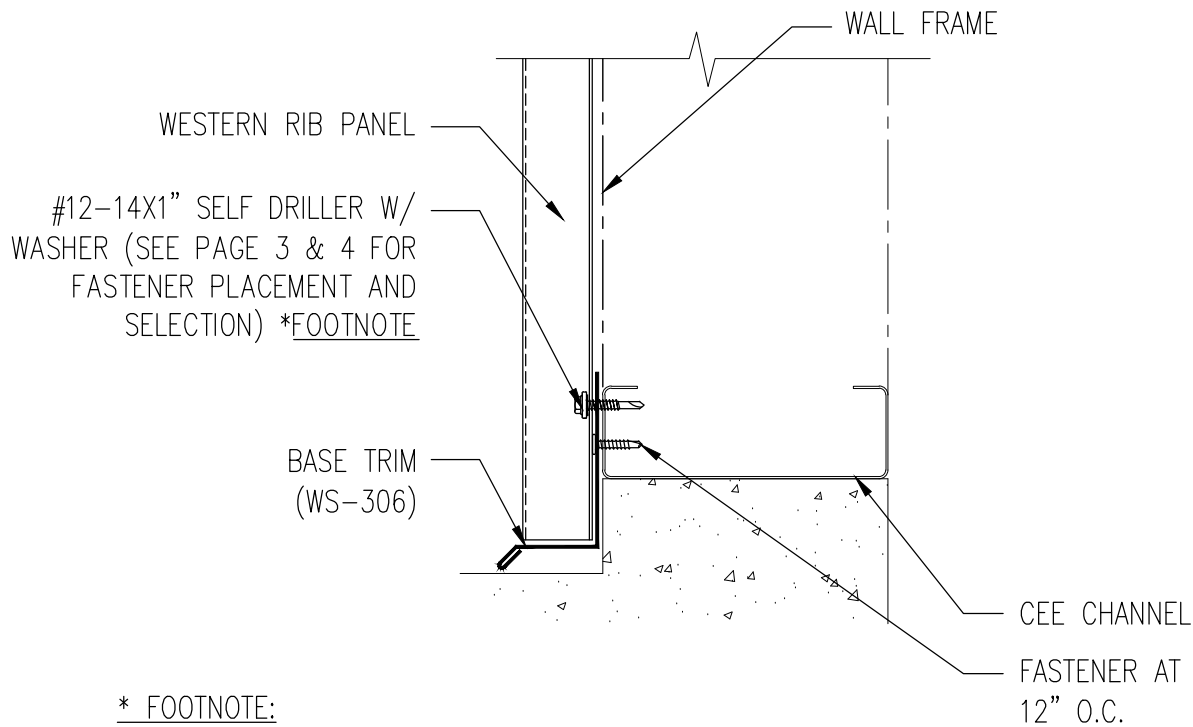
# Western States Metal Roofing

901 W. Watkins St.  
Phoenix, AZ 85007  
www.MetalForRoofing.com  
www.RustedRoofing.com  
www.MetalDeck.com

Phone: (602) 495-0048  
Fax: (602) 261-7726  
877-PURLINS (787-5467)

GAUGE: _____	COLOR: _____
BREAKS: _____	FINISH: _____
LENGTH: _____	STRETCH OUT: _____
MATERIAL: _____	

HEAD AND JAMB DETAILS	B	01-14-13
	A	08-12-12
PANEL TYPE: Western Rib Panel	REV:	DATE:
	DETAIL #: WSD-W15	



\* FOOTNOTE:  
 FASTENER TYPE OVER PLYWOOD  
 TO BE #9X\_ WOOD SCREW  
 FASTENER

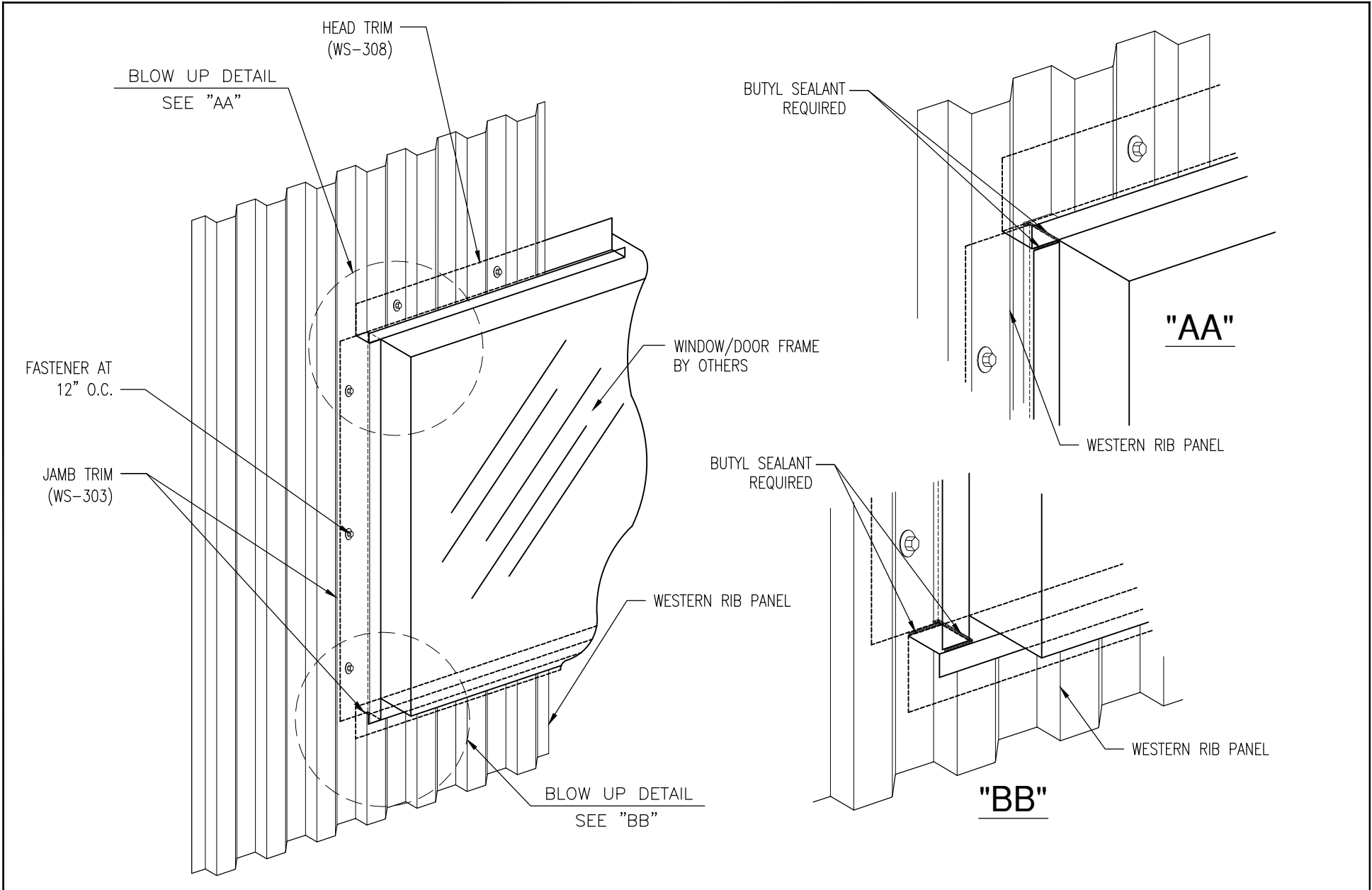
GAUGE: _____	COLOR: _____
BREAKS: _____	FINISH: _____
LENGTH: _____	STRETCH OUT: _____
MATERIAL: _____	

## Western States Metal Roofing

901 W. Watkins St.  
 Phoenix, AZ 85007  
[www.MetalForRoofing.com](http://www.MetalForRoofing.com)  
[www.RustedRoofing.com](http://www.RustedRoofing.com)  
[www.MetalDeck.com](http://www.MetalDeck.com)

Phone: (602) 495-0048  
 Fax: (602) 261-7726  
 877-PURLINS (787-5467)

BASE DETAIL	B	01-14-13
	A	08-12-12
PANEL TYPE: Western Rib Panel	REV:	DATE:
	DETAIL #: WSD-W16	

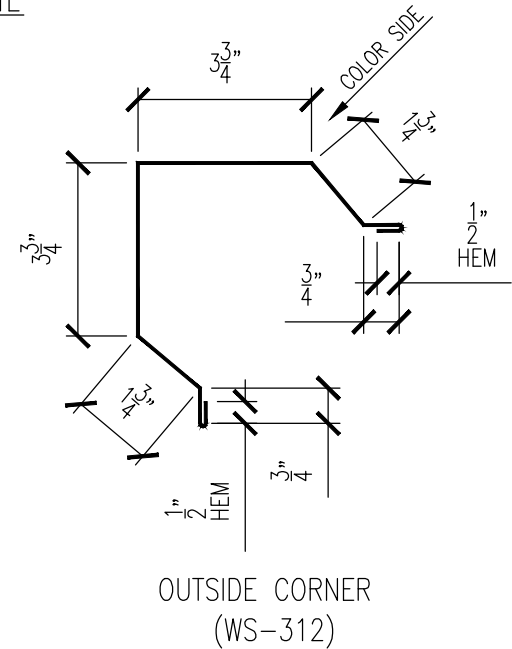
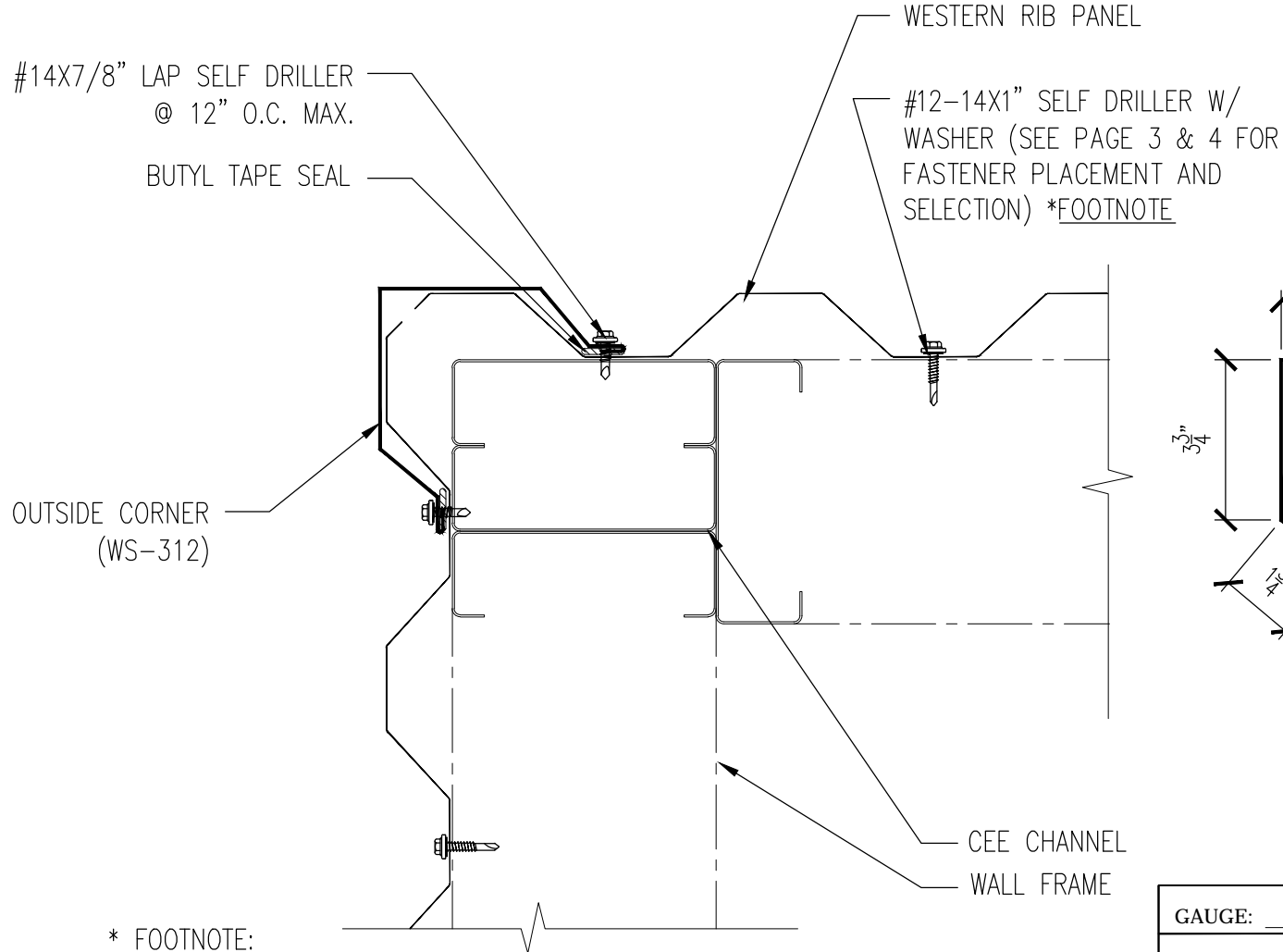


# Western States Metal Roofing

901 W. Watkins St.  
 Phoenix, AZ 85007  
[www.MetalForRoofing.com](http://www.MetalForRoofing.com)  
[www.RustedRoofing.com](http://www.RustedRoofing.com)  
[www.MetalDeck.com](http://www.MetalDeck.com)

Phone: (602) 495-0048  
 Fax: (602) 261-7726  
 877-PURLINS (787-5467)

<b>ISOMETRIC WALL DETAIL</b>	B	01-14-13
	A	08-12-12
PANEL TYPE: <b>Western Rib Panel</b>	REV:	DATE:
	DETAIL #: <b>WSD-W17</b>	



\* FOOTNOTE:  
FASTENER TYPE OVER PLYWOOD  
TO BE #9X\_ WOOD SCREW  
FASTENER

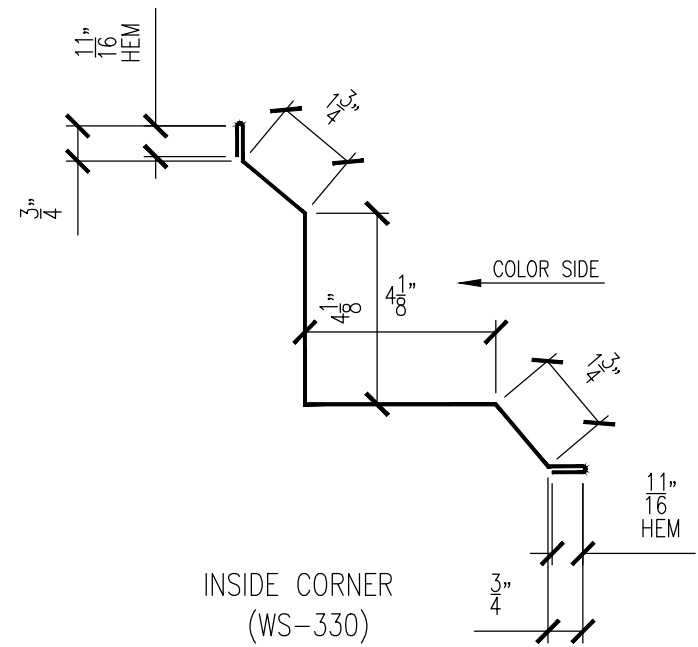
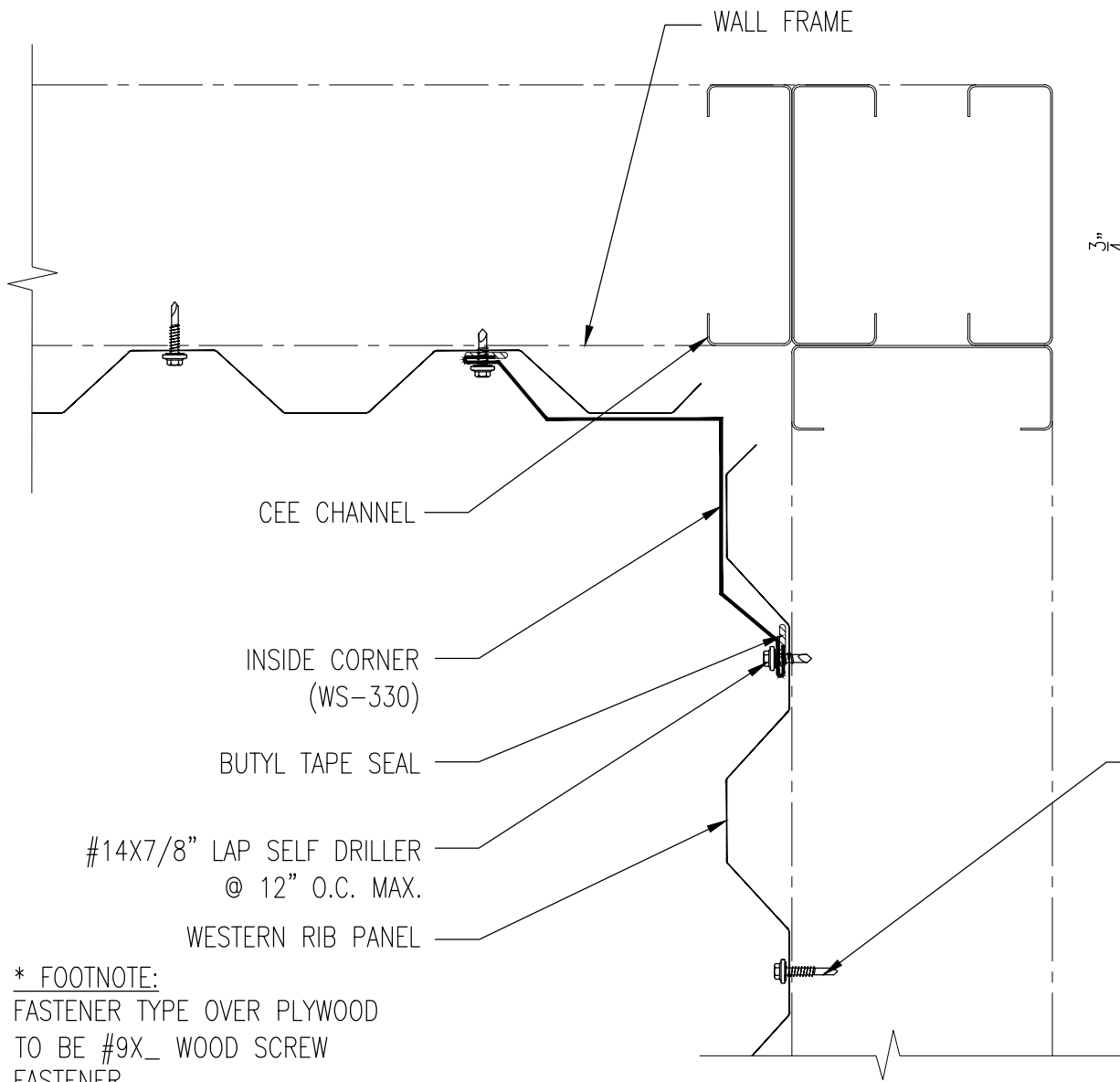
GAUGE: _____	COLOR: _____
BREAKS: _____	FINISH: _____
LENGTH: _____	STRETCH OUT: _____
MATERIAL: _____	

## Western States Metal Roofing

901 W. Watkins St.  
Phoenix, AZ 85007  
www.MetalForRoofing.com  
www.RustedRoofing.com  
www.MetalDeck.com

Phone: (602) 495-0048  
Fax: (602) 261-7726  
877-PURLINS (787-5467)

OUTSIDE CORNER WALL DETAIL	B	01-14-13
	A	08-12-12
PANEL TYPE: Western Rib Panel	REV:	DATE:
	DETAIL #:	WSD-W18



#12-14X1" SELF DRILLER W/  
WASHER (SEE PAGE 3 & 4 FOR  
FASTENER PLACEMENT AND  
SELECTION) \*FOOTNOTE

\* FOOTNOTE:  
FASTENER TYPE OVER PLYWOOD  
TO BE #9X\_ WOOD SCREW  
FASTENER

GAUGE: _____	COLOR: _____
BREAKS: _____	FINISH: _____
LENGTH: _____	STRETCH OUT: _____
MATERIAL: _____	

## Western States Metal Roofing

901 W. Watkins St.  
Phoenix, AZ 85007  
www.MetalForRoofing.com  
www.RustedRoofing.com  
www.MetalDeck.com

Phone: (602) 495-0048  
Fax: (602) 261-7726  
877-PURLINS (787-5467)

INSIDE CORNER WALL DETAIL	B	01-14-13
	A	08-12-12
PANEL TYPE: Western Rib Panel	REV:	DATE:
	DETAIL #: WSD-W19	



# CUSTOM TRIM

GAUGE: _____	COLOR: _____	
BREAKS: _____	FINISH: _____	
LENGTH: _____	STRETCH OUT: _____	
MATERIAL: _____		
CUSTOM TRIM NAME: _____	B	01-14-13
	A	08-12-12
PANEL TYPE: <b>Western Rib Panel</b>	REV:	DATE:
	DETAIL #: <b>WSD-CT21</b>	

## Western States Metal Roofing

901 W. Watkins St.  
 Phoenix, AZ 85007  
[www.MetalForRoofing.com](http://www.MetalForRoofing.com)  
[www.RustedRoofing.com](http://www.RustedRoofing.com)  
[www.MetalDeck.com](http://www.MetalDeck.com)

Phone: (602) 495-0048  
 Fax: (602) 261-7726  
 877-PURLINS (787-5467)

## Western States “ Western Rib” Panel

Installation, Flashings & Shop Drawing Detail Guide

### Special Design Considerations

The details contained in this guide are proven industry details and are intended to be used as a design aid and installation guide. It does not depict all situations that may be encountered on all projects. Modifications are the responsibility of the designer/ owner/ installer.

Consideration should be given for Fit for Purpose, Building use, Climate conditions such as temperature, snow, wind, and moisture, Governing Building Codes, and Maintenance.

It is highly recommended that all trims and flashings be of the same material as the panels (metal, gauge, finish) to ensure long term performance and durability. Where possible, flashing edges should be hemmed to strengthen the edge and protect the cut edge from exposure.

### Acceptance

**Use of this manual is strictly voluntary.** Details that are provided are to be used as a guide only. Details may not be applicable for all situations. This guide provides one standard detail and WSDI accepts that other installation details may be needed and other details may exist. WSDI makes no guarantee as to the Weather Tightness of the system or details found with in this guide. The information in this manual is believed to be correct and accurate at the time of printing. WSDI reserves the right to change details, discontinue products, change designs at any time without incurring obligation. It is best to consult your Design Engineer for recommendations.

### Underlayment

There are many types of underlayment’s on the market today. All designed with a special purpose depending on the type of Metal and profile. Many different types of metal will require a different type of underlayment, such as A606-4 (Corten) which requires a High Temperature underlayment. It is best to consult your Design Engineer for recommendations.

### Valley and Snow Design

Valley design and dimension must be the proper width to accommodate high snow, rain, ice, and slope conditions. If possible, splices, penetrations, valleys, roof elevation changes, should be minimized in areas of high snow and ice accumulations. Details found in this manual may not pertain in areas of high snow and ice accumulations.

### Panel coverage and fastening

Normal panel width of “Western Rib ” panel is 36”. However depending on the finish selected and the required coil feed, it may be necessary for WSDI to shorten the width of the panel. Please consult with your WSDI representative for details and fastening recommendations.

### Safety and Maintenance

Walking on and installing any roof is dangerous! Extreme care should always be used when walking on roofs. Safety should always be a top priority and approved fall protection and equipment as approved by OSHA should always be used.

No roof is immune to severe weather or is completely maintenance free. To keep your roof performing as it was designed; an inspection and comprehensive maintenance program should be implemented.

### References

For other installation techniques and details, The Sheet Metal and Air Conditioning Contractors National Association Inc. (SMACNA) and NRCA manuals are great resource for working with sheet metal.

### Technical Assistance

Contact your WSDI sales or technical representative for any additional information or assistance. To insure you have the latest information available, please inquire or visit our web sites at [www.metaldeck.com](http://www.metaldeck.com) or [Rustedroofing.com](http://Rustedroofing.com)





*Finishes You've Never Seen Before®*

## WESTERN STATES METAL ROOFING

(877) 787-5467 • WESTERNSTATESMETALROOFING.COM

### REQUEST A FREE METAL COLOR SAMPLE

Affordable Delivery throughout USA, Canada, and Mexico

**Phoenix:** 901 W Watkins St., Phoenix, AZ 85007

☎ (602) 495-0048

✉ sales@westernstatesmetalroofing.com

**Tucson:** 4975 E. Drexel Rd., Tucson, AZ 85706

☎ (520) 574-4247

✉ tucsonsales@westernstatesmetalroofing.com



[www.facebook.com/westernstatesmetalroofing/](http://www.facebook.com/westernstatesmetalroofing/)



[www.instagram.com/westernstatesmetalroofing/](http://www.instagram.com/westernstatesmetalroofing/)



[www.twitter.com/weststatesmetal](http://www.twitter.com/weststatesmetal)



[www.youtube.com/westernstatesmetalroofing](http://www.youtube.com/westernstatesmetalroofing)



[www.linkedin.com/company/western-states-metal-roofing](http://www.linkedin.com/company/western-states-metal-roofing)



[www.pinterest.com/westernstatesmetalroofing/](http://www.pinterest.com/westernstatesmetalroofing/)



[www.houzz.com/pro/raynaann/western-states-metal-roofing](http://www.houzz.com/pro/raynaann/western-states-metal-roofing)