

# HEATFAST®

## Oil Fired Forced Air Construction Heater

HF45K / HF75K / HF125K / HF175K / HF215K



### READ AND SAVE THESE INSTRUCTIONS

Carefully read and understand these instructions before assembling, operating, or servicing this heater. You may injure yourself or others if you do not follow the instructions. This manual has been designed to instruct you on the proper manner in which to assemble, maintain, store, and most importantly, how to operate the heater in a safe and efficient manner. Do not allow anyone who has not read these instructions to assemble, light, adjust or operate the heater.

#### CANADIAN RESIDENTS:

THIS HEATER SHALL BE OPERATED IN ACCORDANCE WITH THE REGULATION OF AUTHORITIES HAVING JURISDICTION AND CSA STANDARD B139.

#### U. S. RESIDENTS:

THE INSTALLATION OF THIS HEATER SHALL BE IN ACCORDANCE WITH THE REGULATION OF AUTHORITIES HAVING JURISDICTION AND NFPA 31

This is an unvented oil direct-fired heater intended for space heating of buildings under construction and for temporary space heating of completed buildings when the products of combustion are discharged outdoors.

#### CALIFORNIA PROPOSITION 65 WARNING:

This product can expose you to chemicals including carbon monoxide, which is known to the State of California to cause cancer, birth defects and/or other reproductive harm. For more information, go to [www.P65warnings.ca.gov](http://www.P65warnings.ca.gov)

#### DANGER:





THIS HEATER IS DESIGNED AND INTENDED FOR SPACE-HEATING OF BUILDINGS UNDER CONSTRUCTION AND FOR SPOT HEATING WHEN THE PRODUCTS OF COMBUSTION ARE DISCHARGED OUTDOORS.

**Not for Use in Living Areas** • **Suitable for Outdoor Use**



A Subsidiary of U.S. Stove Company  
227 Industrial Dr., South Pittsburg, TN  
PH: (423) 837-5155  
[www.powerfastproducts.com](http://www.powerfastproducts.com)



-  **DANGER** indicates a hazardous situation which, if not avoided, will result in death or serious injury.
-  **WARNING** indicates a hazardous situation which, if not avoided, could result in death or serious injury.
-  **CAUTION** indicates a hazardous situation which, if not avoided, could result in minor or moderate injury.
-  **NOTICE** indicates practices unrelated to personal injury which, if not avoided, may result in property damage

 **GENERAL HAZARD WARNING**

**FAILURE TO COMPLY WITH THE PRECAUTIONS AND INSTRUCTIONS PROVIDED WITH THIS HEATER CAN RESULT IN DEATH, SERIOUS BODILY INJURY AND PROPERTY LOSS OR DAMAGE FROM HAZARDS OF FIRE, EXPLOSION, BURN, ASPHYXIATION, CARBON MONOXIDE POISONING, AND / OR ELECTRICAL SHOCK.**

**ONLY PERSONS WHO CAN UNDERSTAND AND FOLLOW THESE INSTRUCTIONS SHOULD USE OR SERVICE THIS HEATER.**

**IF YOU NEED ASSISTANCE OR HEATER INFORMATION SUCH AS AN INSTRUCTIONS MANUAL, LABEL, ETC. CONTACT THE MANUFACTURER.**

 **WARNING:**

**FIRE, BURN, INHALATION, AND EXPLOSION HAZARD. KEEP SOLID COMBUSTIBLES, SUCH AS BUILDING MATERIALS, PAPER, OR CARDBOARD, A SAFE DISTANCE AWAY FROM THE HEATER AS RECOMMENDED BY THE INSTRUCTIONS.**

**NEVER USE THE HEATER IN SPACES WHICH DO OR MAY CONTAIN VOLATILE OR AIRBORNE COMBUSTIBLES, OR PRODUCTS SUCH AS GASOLINE, SOLVENTS, PAINT THINNER, DUST PARTICLES OR UNKNOWN CHEMICALS.**

 **WARNING: NOT FOR HOME OR RECREATIONAL VEHICLE USE.**

 **WARNING: RISK OF CARBON MONOXIDE POISONING**

- Use this heater only in well ventilated areas! Provide at least a three square feet (2,800 sq cm) opening of outside air for every 45,000 BTU/Hr. of heater rating.
- People with breathing problems should consult a physician before using the heater.
- Early signs of carbon monoxide poisoning resemble flu-like symptoms such as headaches, dizziness, and/or nausea. If you have these symptoms, your heater may not be working properly.
- Get fresh air at once! Have the heater serviced.
- Some people are more affected by carbon monoxide than others. These include pregnant women, those with heart or lung problems, anemia, those under the influence of alcohol, or at high altitudes.
- Never use this heater in living or sleeping areas.

**Residents of New York City, NY:**

New York Fire Code prohibits the storage, handling and use of kerosene fueled heaters for space heating. Any person violating that provision may be punished by a fine of up to \$10,000 and a term of imprisonment of up to 6 months.

**Residents of Massachusetts:**

Massachusetts State Law prohibits the use of this heater in any building which is used whole or in part for human habitation. Use of this device requires local fire department permit (M.G.L.C. 148, Section 10A)



**WARNING: Never leave the heater unattended while operating.  
Disconnect the heater from its power source when not in use.**

 **WARNING:**

- DO NOT START HEATER WHEN CHAMBER IS HOT.
- DO NOT START HEATER WHEN EXCESS FUEL HAS ACCUMULATED IN THE CHAMBER.
- NOT FOR USE WITH AN EXTERNAL FUEL TANK.
- DO NOT USE GASOLINE OR CRANKCASE DRAINING, NAPHTHA OR VOLATILE FUELS.
- DO NOT FILL THE TANK WHILE THE UNIT IS OPERATING.
- FOR USE ON NON-COMBUSTIBLE FLOORING WITH MINIMUM CLEARANCES TO COMBUSTIBLE MATERIALS.
- HOT WHILE IN OPERATION. DO NOT TOUCH.
- KEEP CHILDREN, CLOTHING, PETS AND COMBUSTIBLES AWAY FROM HEATER.
- NEVER POINT THE HEATER TOWARD A PROPANE CYLINDER.
- KEEP BULK FUEL STORAGE A MINIMUM OF 25 FEET (8 METERS) FROM HEATER.
- STORE FUEL ACCORDING TO FEDERAL, STATE, AND/OR LOCAL AUTHORITIES.
- ALWAYS FILL THE HEATER OUTDOORS AND KEEP AWAY FROM OPEN FLAME.
- EQUIPMENT MUST BE GROUNDED.
- NEVER HANDLE HEATER WHILE HOT.
- NEVER TRANSPORT HEATER WITH FUEL IN THE TANK.
- WHEN USED WITH AN OPTIONAL THERMOSTAT OR IF EQUIPPED WITH A THERMOSTAT, THE HEATER MAY START AT ANY TIME.
- ALWAYS LOCATE THE HEATER ON A STABLE AND LEVEL SURFACE.
- ALLOW THE HEATER TO COOL BEFORE HANDLING OR TRANSPORTING.
- BEFORE MOVING THE HEATER, WAIT UNTIL THE HEATER HAS COMPLETELY COOLED AND BE CERTAIN THE FUEL CAP IS SECURELY AND TIGHTLY CLOSED.

 **WARNING:**

Do Not Tamper With The Heater. Have A Competent Serviceman Make Any Necessary Adjustments Or Repairs.

 **WARNING:**

- NEVER block the air inlet (rear) or air outlet (front)
- NEVER attach duct work in front or in rear of the heater.

 **WARNING: RISK OF ELECTRIC SHOCK**

- EQUIPMENT MUST BE GROUNDED.
- Use only the power (voltage) specified for this heater. Refer to the model plate on the heater.
- Use only a three-prong grounded outlet and extension cord.
- ALWAYS install heater so that it is not directly exposed to water spray, rain, dripping water, or wind.
- ALWAYS disconnect the heater from its power source when not in use.



**WARNING: Never leave the heater unattended while operating.  
Disconnect the heater from its power source when not in use.**



**WARNING:**

**Air Quality Hazard**

- Do not use this heater for heating human living quarters.
- Use of direct-fired heaters in the construction environment can result in exposure to levels of CO, CO<sub>2</sub>, And NO<sub>2</sub> considered to be hazardous to health and potentially life threatening.
- Do not use in unventilated areas
- Know the signs of CO and CO<sub>2</sub> poisoning:
  - Headaches, stinging eyes
  - Dizziness, disorientation
  - Difficulty breathing, feelings of being suffocated.
- Proper ventilation air exchange (OSHA 29 CFR 1926.57) to support combustion and maintain acceptable air quality shall be provided in accordance with OSHA 29 CFR Part 1926.154, ANSI A10.10

Safety Requirements for Temporary and Portable Space Heating Devices and Equipment used in the Construction Industry or the Natural Gas and Propane Installation Codes CSA B149.1

- Periodically monitor levels of CO, CO<sub>2</sub>, and NO<sub>2</sub> existing at the construction site - at the minimum at the start of the shift and after 4 hours.
- Provide ventilation air exchange, either natural or mechanical, as required to maintain acceptable indoor air quality.
- Ensure that the flow of combustion and ventilation air exchange cannot become obstructed.
- As the building “tightens up” during the construction phases ventilation may need to be increased.

**USA 8-Hr Time weighted average (OSHA 29 CFR 1926.55 App A)**

CO	50 ppm
CO <sub>2</sub>	5000 ppm
NO <sub>2</sub>	N/A

**USA-Ceiling Limit (Short Term Exposure Limit = 15 minutes)**

CO	N/A
CO <sub>2</sub>	N/A
NO <sub>2</sub>	5 ppm

**Canada 8-Hr Time weighted average WorkSafe BC OHS Guidelines Part 5.1 and Ontario Workplaces Reg 833**

CO	
CO <sub>2</sub>	
NO <sub>2</sub>	5 ppm

**Canada STEL (15 minutes Reg 833/1 hour WSBC) WorkSafe BC OHS Guidelines Part 5.1 and Ontario Workplace Reg 833**

CO	100 ppm
CO <sub>2</sub>	15000 ppm (WSBC) 30000 ppm (Reg 833)
NO <sub>2</sub>	1.0 ppm (WSBC) 5.0 ppm (Reg 833)



**WARNING: Never leave the heater unattended while operating. Disconnect the heater from its power source when not in use.**

**WARNING: MINIMUM CLEARANCE FROM COMBUSTIBLES**FONT **10 ft / 3.0 m**SIDES **3 ft / 1.0 m**TOP **3 ft / 1.0 m**

FOR USE ON NON-COMBUSTIBLE FLOORING WITH MINIMUM CLEARANCES TO COMBUSTIBLE MATERIALS.

**PRODUCT FEATURES****GENERAL SPECIFICATIONS**

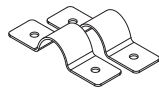
Model	Type of Fuel	BTU Rating	Pump Pressure	Fuel Tank Capacity	Fuel Consumption	Electrical Input	Fuse
HF45K	Kerosene	45,000 BTU	3.3 PSI	5.3 Gal	0.32 gal/h	120V, 60Hz / 1.2 Amp	250V/10 Amp
HF75K	Kerosene	75,000 BTU	3.2 PSI	5.3 Gal	0.55 gal/h	120V, 60Hz / 1.3 Amp	250V/10 Amp
HF125K	Kerosene	125,000 BTU	5.2 PSI	10.6 Gal	0.95 gal/h	120V, 60Hz / 2.1 Amp	250V/10 Amp
HF175K	Kerosene	175,000 BTU	6.0 PSI	13.2 Gal	1.32 gal/h	120V, 60Hz / 2.5 Amp	250V/10 Amp
HF215K	Kerosene	210,000 BTU	7.0 PSI	13.2 Gal	1.58 gal/h	120V, 60Hz / 2.7 Amp	250V/10 Amp

**PARTS LIST****MODELS: HF45K / HF75K**

Handle



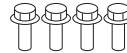
Ø5x1

**MODELS: HF125K / HF175K / HF215K**

Shaft fixed Bkt



M6



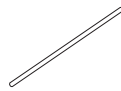
M6x1



M8x1



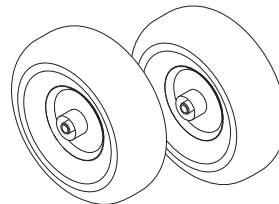
Cap Nut



Axle



T2.0xØ13xØ2



Wheels

**UNPACKING**

1. Remove the heater from the carton.
2. Remove all packing materials applied to the heater for shipment.
3. Remove all items from the carton.
4. Check the heater for shipping damage. If heater is damaged, promptly inform PowerFast Product Group at (423) 837-5155.

**TOOLS REQUIRED FOR ASSEMBLY**

- Medium Phillips screwdriver
- M5 open, or adjustable wrench

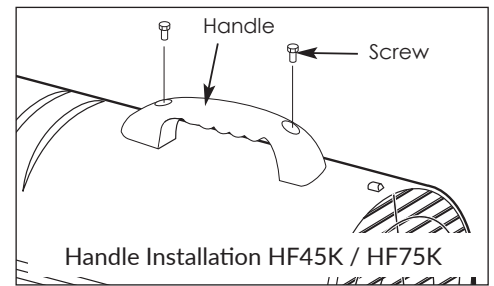


**WARNING: Never leave the heater unattended while operating.  
Disconnect the heater from its power source when not in use.**

# ASSEMBLY

## FOR MODELS HF45K AND HF75K ONLY

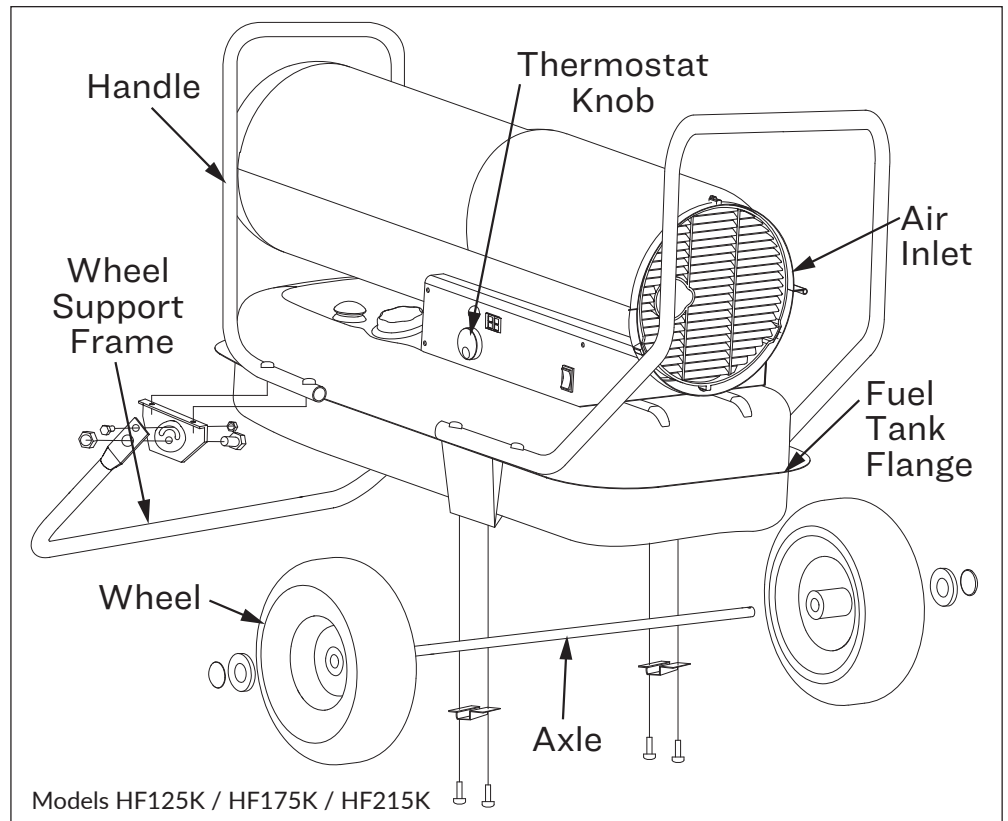
1. Align the holes in the upper housing with the two mounting holes on the handle as shown.
2. Secure handle through holes provided.



## FOR MODELS WITH WHEELS

These models come complete with wheels and handles. Wheels, handles and mounting hardware are located in the shipping carton.

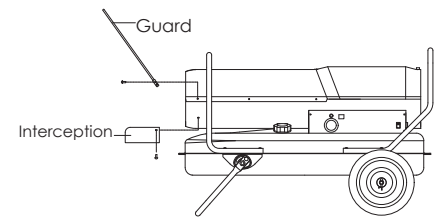
1. Loosely secure the Axle Bracket to the Wheel Support Frame.
2. Slide the axle through the Axle Bracket.
3. Install the wheels on the axle, with the valve facing outward.
4. Place the flat washers and fastening nut on the axle ends.
5. Tighten the Axle Brackets.
6. Position the Height Adjustment Pipe to align the hole as shown.
7. Insert and tighten the bolt (M8).



# GUARD ASSEMBLY (FOR CANADA ONLY)

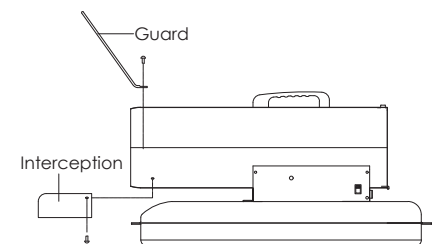
## TO ATTACH THE GUARD

1. Remove the screws from the upper shell and set aside.
2. Align the holes in the Guard with the holes in the upper shell as shown.
3. Secure the guard to the upper shell by inserting and tightening the screws.



## TO ATTACH THE INTERCEPTOR

1. Remove the screws from the lower shell and set aside.
2. Align the holes in the Interceptor with the holes in the lower shell as shown.
3. Secure the Interceptor to the lower shell by inserting and tightening the screws.



**WARNING: Never leave the heater unattended while operating.  
Disconnect the heater from its power source when not in use.**

# PREPARATION FOR STARTING YOUR HEATER

Visually inspect the heater for signs of damage. If any damage is found do not operate the heater. Contact PowerFast Product Group for assistance at (423) 837-5155. Read, understand, and follow all of the instructions before assembling, operating or servicing this heater.

## FUELING THE HEATER

Make certain the heater is level. Remove the fuel cap and fill the fuel tank with clean kerosene for optimal performance of this heater. This heater has been factory approved for use with JP8/Jet A, #1 and #2 Fuel Oil, #1 and #2 Diesel. Diesel does not burn as clean as 1-K kerosene, and care should be taken to provide more fresh air ventilation to accommodate any added contaminants that may be produced during operation of the heater. In extreme cold temperatures, it is recommended a fuel stabilizer formulated to remove condensation and to prevent the fuel from gelling be added to the fuel tank. Do not overfill the fuel tank. Replace the fuel cap after filling the fuel tank.

- NEVER store kerosene in the living space. Kerosene should be stored in a well ventilated area outside the living area.
- NEVER store kerosene in direct sunlight or near a source of heat.
- NEVER use kerosene that has been stored from one season to the next. Kerosene deteriorates over time. OLD KEROSENE WILL NOT BURN PROPERLY IN THIS HEATER.
- Use 1-K kerosene in this heater. #1 fuel is a suitable substitute.



### WARNING:

- DO NOT START HEATER WHEN THE HEATER IS HOT.
- DO NOT START HEATER WHEN EXCESS FUEL HAS ACCUMULATED IN THE CHAMBER.
- NOT FOR USE WITH AN EXTERNAL FUEL TANK.
- NEVER FILL THE FUEL TANK IN LIVING SPACE
- DO NOT USE GASOLINE OR CRANKCASE DRAINING, NAPHTHA OR VOLATILE FUELS.
- ALWAYS FILL THE FUEL TANK OUTDOORS AWAY FROM LIVING AREAS.



### NOTICE:

The first time you light the heater, it should be done OUTDOORS. This allows the oils, and other lubricants used in the manufacturing process to be burned off outside.



### WARNING: RISK OF CARBON MONOXIDE POISONING

- Use this heater only in well ventilated areas! Provide at least a three square feet (2,800 sq cm) opening of outside air for every 45,000 BTU/Hr. of heater rating.
- Early signs of carbon monoxide poisoning resemble flu-like symptoms such as headaches, dizziness, and/or nausea. If you have these symptoms, your heater may not be working properly.
- Get fresh air at once! Have the heater serviced.
- Some people are more affected by carbon monoxide than others. These include pregnant women, those with heart or lung problems, anemia, those under the influence of alcohol, or at high altitudes.
- Never use this heater in living or sleeping areas.
- People with breathing problems should consult a physician before using the heater.

## CONNECTING TO THE POWER SOURCE

After filling the fuel tank with approved fuel, connect the plug to a 3-prong, grounded extension cord adequately rated for this application.

Extension Cord Wire Size Requirements:

- 6 to 10 feet (1.8 to 3 meters) long, use 18 AWG conductor.
- 11 to 100 feet (3.4 to 30.53 meters) long, use 16 AWG conductor.
- 101 to 200 feet (30.8 to 61 meters) long, use 14 AWG conductor.

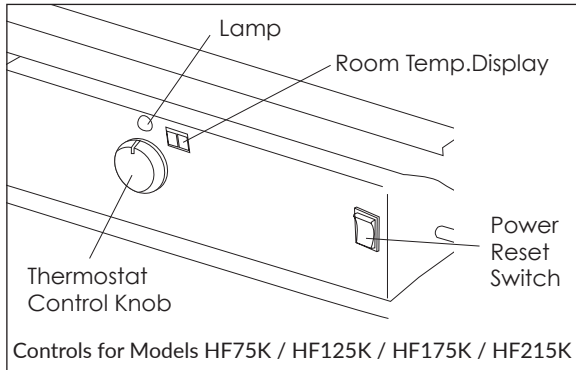


**WARNING: Never leave the heater unattended while operating.  
Disconnect the heater from its power source when not in use.**



## ADJUSTING THE THERMOSTAT

- Turn the Thermostat Control Knob clockwise to the desired heat setting. Push the Power Switch to the "ON" position. The Power Indicator Lamp will light and the heater will start.
- If heater does not start, the thermostat setting may be lower than the ambient temperature.
- Turn the Thermostat Control Knob to a higher temperature setting.
- If the heater still does not start, turn the Power Switch "OFF". Wait 10 seconds. Turn the Power Switch "ON". **NOTE:** The major electrical components of this heater are protected by a safety fuse mounted to the PCB board located behind the Right Side Panel. If your heater fails to start, check this fuse first and replace as necessary. You should also check your power source to insure that proper voltage and frequency are being supplied to the heater.



## SHUTTING DOWN THE HEATER

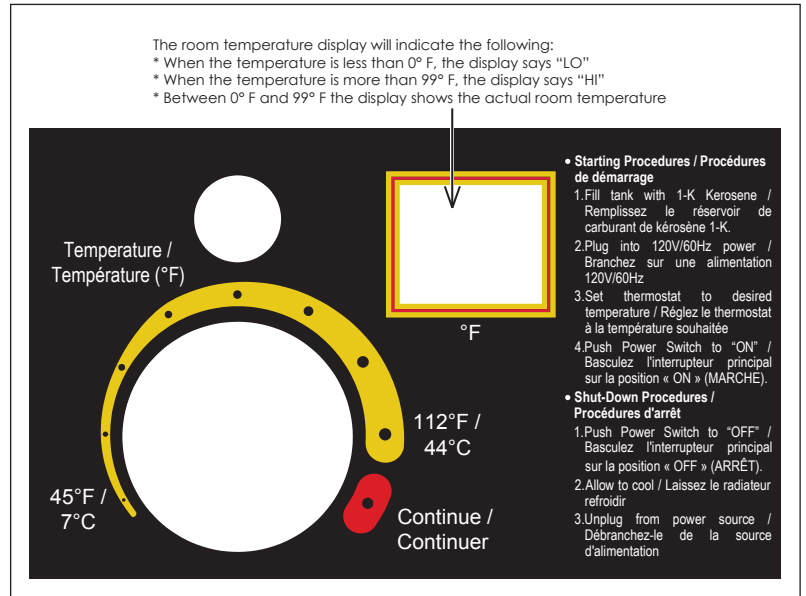
1. Push the Power Button to the "OFF" position.
2. Wait for heater to cool, then unplug the heater from its power source.

## RESTARTING THE HEATER

1. Wait 10 seconds after powering down the heater.
2. Push the Power Switch to the "ON" position.
3. If heater does not start, the thermostat setting may be lower than the ambient temperature. Turn the Thermostat Control Knob to a higher temperature setting. If the heater still does not start, turn the Power Switch "OFF". Wait 10 seconds. Turn the Power Switch "ON"

## RESTARTING THE HEATER AFTER SAFETY SHUTDOWN

1. Push the Power Button to the "OFF" position.
2. Unplug the heater from its power source.
3. Wait 10 seconds for the system to reset.
4. Plug the heater into its power source.
5. Push the Power Button to the "ON" position.



# MAINTENANCE

**WARNING:** DO NOT TAMPER WITH THE HEATER. HAVE A COMPETENT SERVICEMAN MAKE ANY NECESSARY ADJUSTMENTS OR REPAIRS.

**WARNING:** DISCONNECT THE HEATER FROM ITS POWER SOURCE BEFORE SERVICING.

**WARNING:** HOT WHILE IN OPERATION. DO NOT TOUCH. ALLOW HEATER TO COOL BEFORE SERVICING.



**WARNING: Never leave the heater unattended while operating.  
Disconnect the heater from its power source when not in use.**



## BEFORE OPERATING THIS HEATER

Visually inspect for damage. Some parts may have become loose or were damaged from handling. Be certain the fuel cap is securely fastened and check that the drain plug (if applicable for your model) is installed properly. Replace or repair any damaged parts before operating this heater. **USE ORIGINAL EQUIPMENT REPLACEMENT PARTS.** Use of third party or other alternate components will void the warranty and may cause unsafe operating conditions. If you need replacement parts or require assistance, contact PowerFast Product Group at (423) 837-5155.

## AIR INTAKE FILTER

Dirty Intake Filters can cause an imbalance in the fuel-to-air mixture, resulting in rough starting, poor combustion and odors. Never operate a heater without the filters in place.

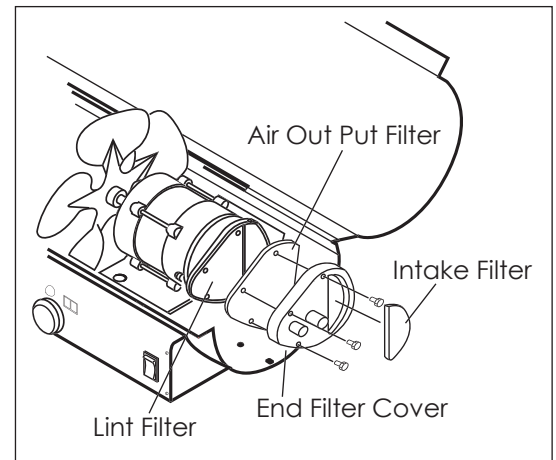
Remove and wash the intake with a mild detergent and water. Thoroughly dry and replace the filter. Clean the filters every 500 hours as needed.

## AIR OUTPUT FILTER AND LINT FILTER

The Output and the Lint Filter are not designed to be cleaned and reused. Do not wash these filters. Replace dirty filters at the start of each season.

## REPLACING AIR FILTERS

1. Remove Upper Shell and Fan Guard.
2. Remove End Filter Cover screws using a medium Phillips screwdriver.
3. Remove End Filter Cover.
4. Replace the Air Intake Filter, Air Output Filter, and Lint Filter.
5. Reinstall End Filter Cover.
6. Reinstall Fan Guard and Upper Shell.

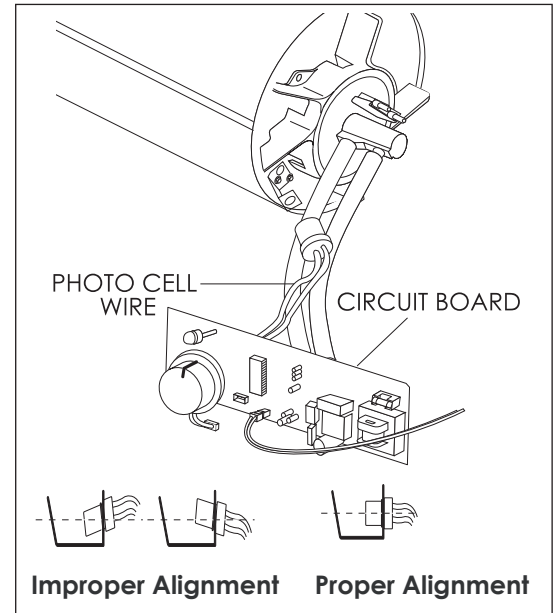


## PHOTOCELL

The optical lens can become dirty or clouded in use. Clean the lens using isopropyl alcohol or water and a soft cloth or cotton swab every 500 hours or as needed.

## REPLACING THE PHOTOCELL

1. Remove Upper Shell.
2. Remove Right Side Panel.
3. Disconnect wires from circuit board (PCB).
4. Twist to loosen Photocell from the Photocell Bracket.
5. Clean lens or replace Photocell.
6. Insert Photocell into Photocell Bracket.
7. Properly align the Photocell within the Bracket.
8. Attach wires to circuit board.
9. Reinstall Right Side Panel.
10. Secure Upper Shell.



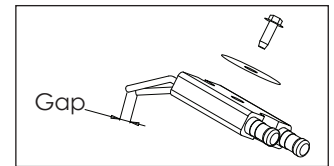
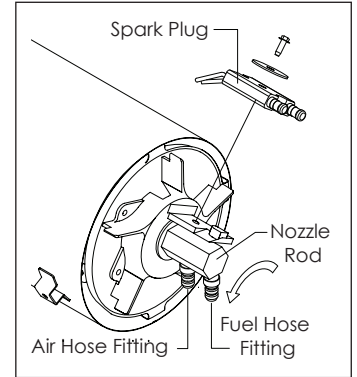
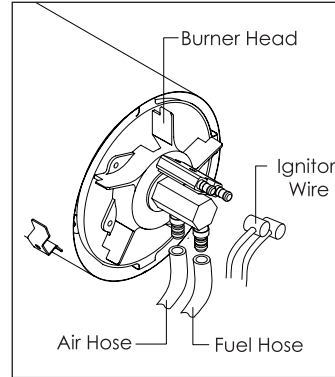
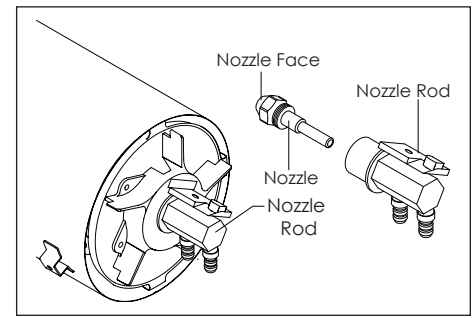
**WARNING: Never leave the heater unattended while operating.  
Disconnect the heater from its power source when not in use.**

## NOZZLE AND SPARK PLUG

Contaminated fuel, build-up of carbon, and accumulated dirt can affect the performance of these parts. Clean or replace these parts every 500 hours or as needed to ensure optimal performance of the heater.

### REPLACING THE NOZZLE

1. Remove Upper Shell.
2. Disconnect Air and Fuel Lines from the Nozzle Rod.
3. Remove ignitor wires from the Spark Plug.
4. Remove Spark Plug from the Nozzle Rod using a Phillips screwdriver.
5. Twist the Nozzle Rod counterclockwise to remove it from the Burner Head.
6. Carefully remove the Nozzle from the Nozzle Rod using a 5/8" socket wrench.
7. Soak the nozzle in clean 1-K Kerosene to loosen particles.
8. Inject compressed air into the front opening of the nozzle to loosen particulate. **WEAR SAFETY GLASSES.**
9. Install new (or cleaned) Nozzle into Nozzle Rod and tighten firmly.
10. Reassemble by reversing steps listed above.



### REPLACING THE SPARK PLUG

1. Remove Upper Shell.
2. Remove igniter wire from Spark Plug.
3. Remove Spark Plug from Nozzle Rod using medium Phillip screwdriver.
4. Clean and re-gap the Spark Plug electrodes to 0.140 inches (3.5 mm) gap.
5. Reinstall Spark Plug into Nozzle Rod.
6. Attach igniter wires to Spark Plug.
7. Secure Upper Shell.

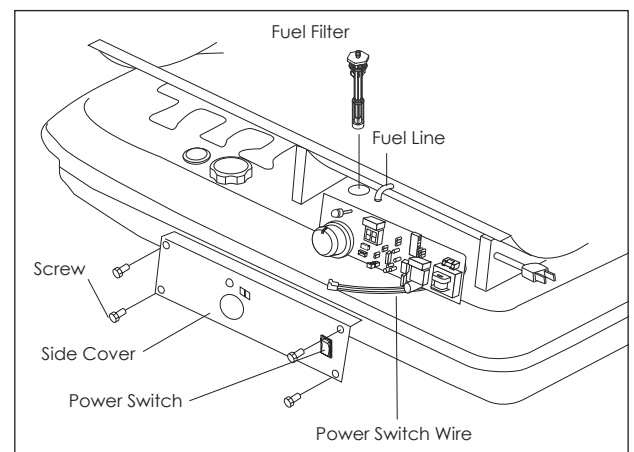
## SEASONAL MAINTENANCE SCHEDULE

### FUEL FILTER

The Fuel Filter should be cleaned or replaced at the start of the season and as needed throughout the season to ensure optimal performance by the heater. Clean the Fuel Filter by rinsing the screen with clean 1-K Kerosene.

#### Replacing the Fuel Filter

1. Remove the Right Side Panel screws using a medium Phillips screwdriver.
2. Remove Side Cover.
3. Disconnect the Fuel Line from the Fuel Filter neck.
4. Turn Fuel Filter counterclockwise 90 degrees using an adjustable wrench.
5. Pull upwards and remove.
6. Wash Fuel Filter with clean 1-K Kerosene.



**WARNING: Never leave the heater unattended while operating.  
Disconnect the heater from its power source when not in use.**

7. Insert Fuel Filter in the Fuel Tank and using adjustable wrench turn the Filter 90 degrees clockwise.
8. Attach Fuel Line to Fuel Filter neck.
9. Reinstall side cover with screws provided.

## ADJUSTING PUMP PRESSURE

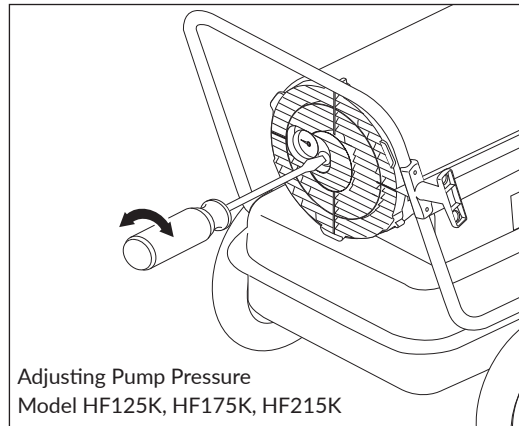
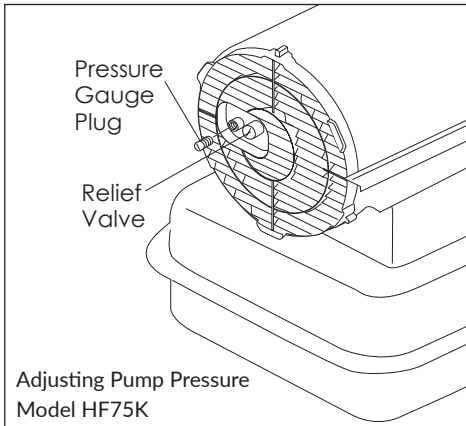
After hours of use it may be necessary to adjust the Pump Pressure.

**If the heater is not producing a strong flame:**

Increase the pressure by turning the adjustment screw clockwise.

**If the heater is producing a flame that extends beyond the end of the heater:**

Reduce the pressure by turning the adjustment screw counterclockwise.



MODEL	HF45K	HF75K	HF125K	HF175K	HF215K
PUMP PRESSURE	3.3 PSI	3.2 PSI	5.2 PSI	6.0 PSI	7.0 PSI

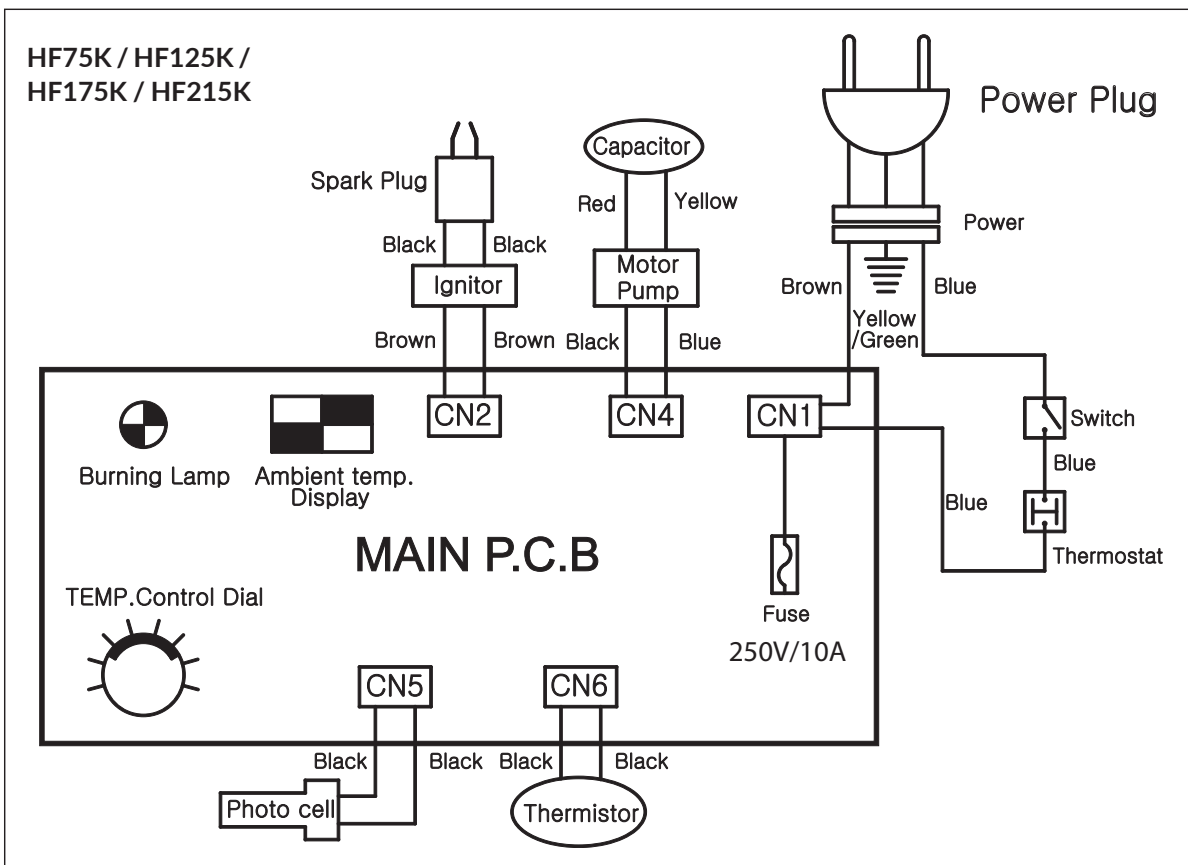
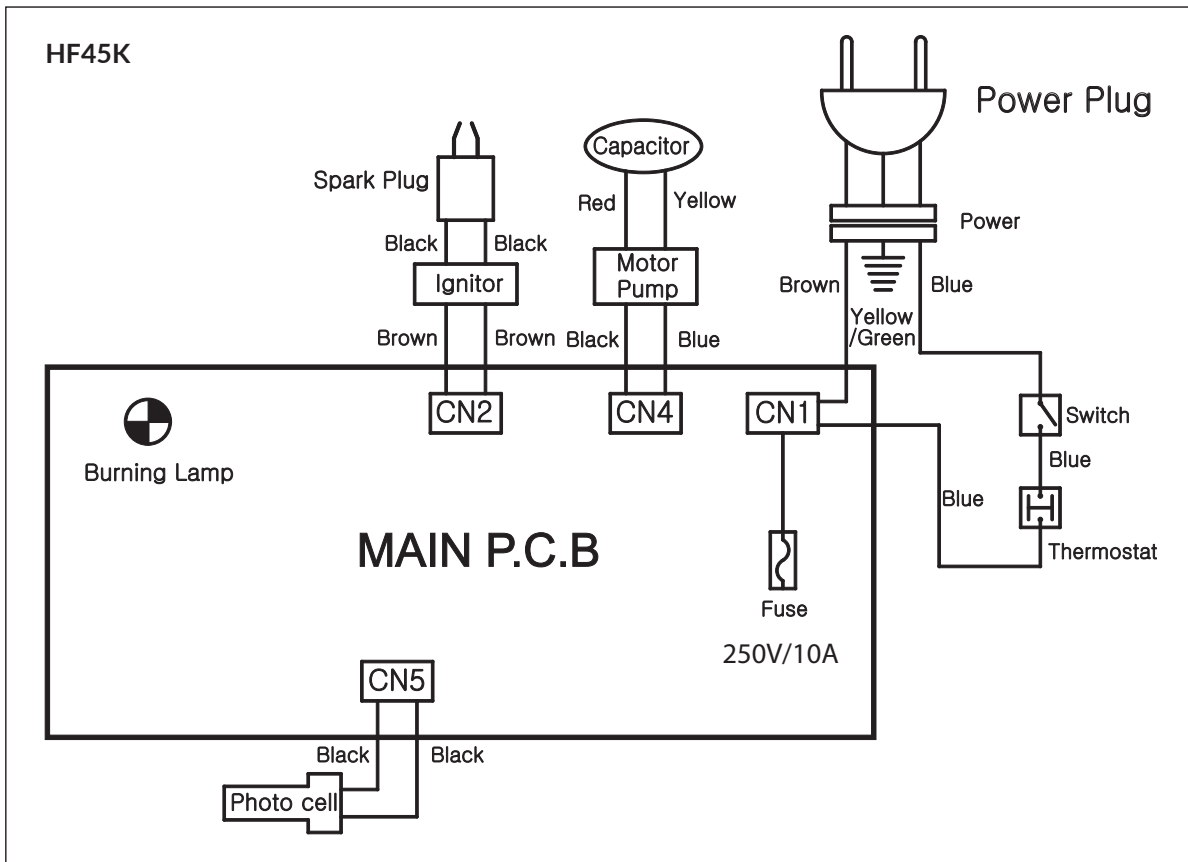
# TROUBLESHOOTING

POSSIBLE CAUSE		CORRECTIVE ACTION
E1	Photocell (Flame Color Checking Sensor) Error	
	Oil Shortage Bad Photocell (Flame Sensor) Incomplete Combustion Contamination of Fuel Filter Ignition Failure	Charge Fuel (Fill the fuel if needed) Check and clean or replace Photocell (Flame Sensor) Using Designated Fuel Clean or replace Fuel Filter Check Wire Connection Check Spark Plug For Normal Firing (clean or replace if needed)
E2	Temperature Sensor (Thermister) Error	
	Bad Connection or Sensor Error	Check Wire Connection Replace Sensor
LO	Below 1°F	Normal
HI	Over 99°F	Normal
OH	Heater stops when the temperature reaches to 140°F	Restart After Cooling
CN	Continuously operating without set-temperature	Normal
Blinking	Error during operation	Check Error Code Reset to Restart



**WARNING: Never leave the heater unattended while operating.  
Disconnect the heater from its power source when not in use.**

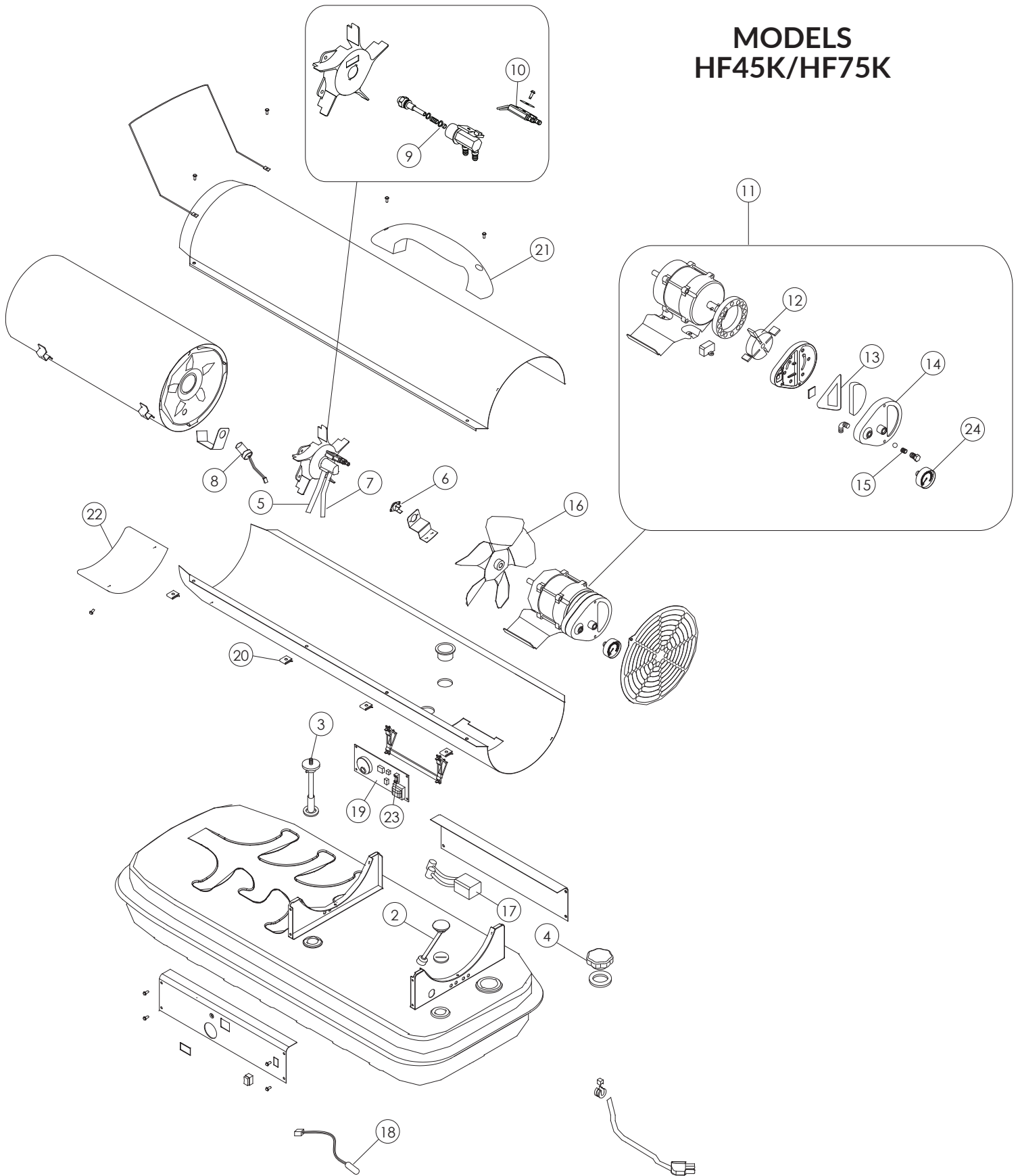
# CIRCUIT DIAGRAM



**WARNING: Never leave the heater unattended while operating.  
Disconnect the heater from its power source when not in use.**

# PARTS DIAGRAM

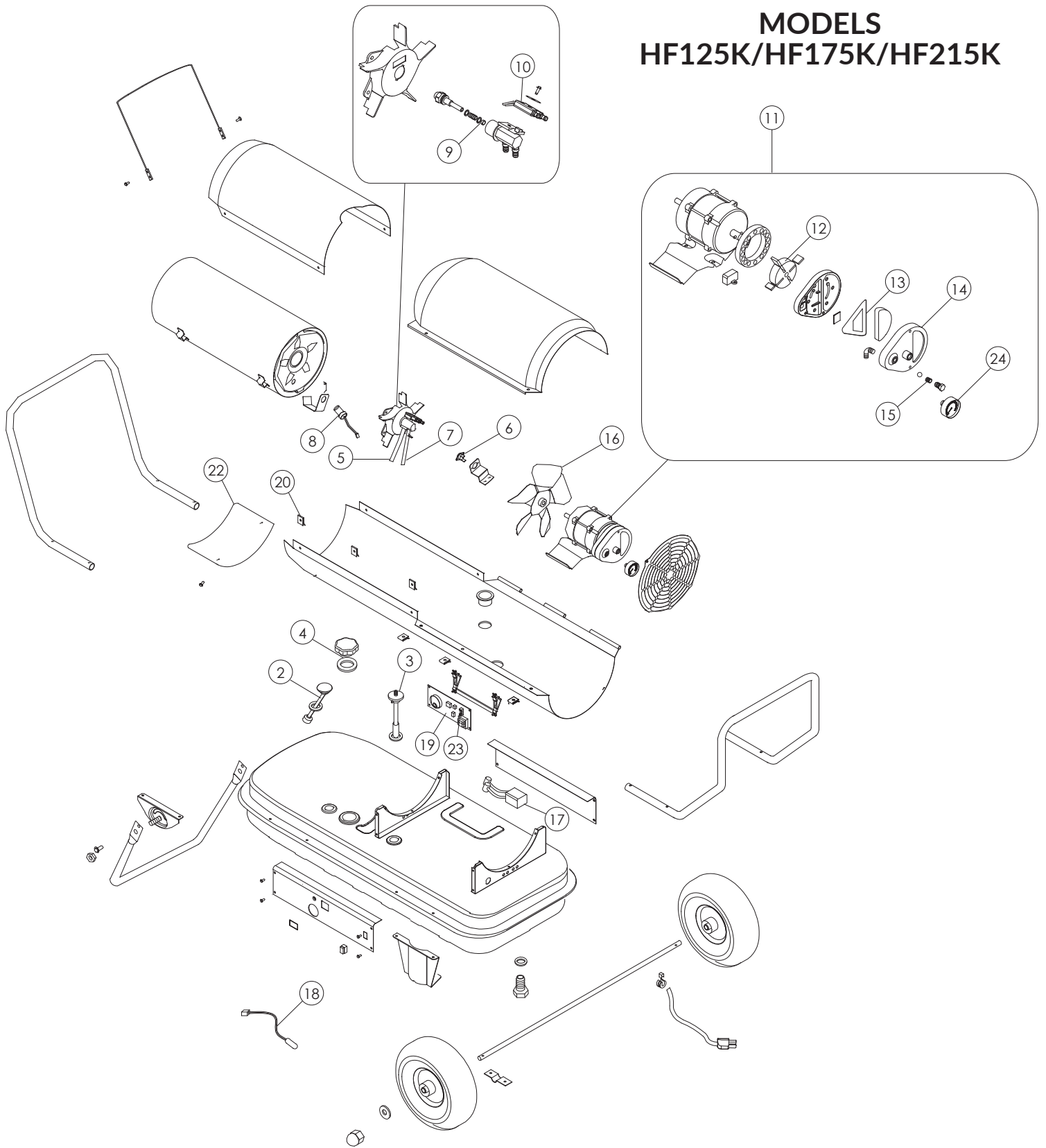
MODELS  
HF45K/HF75K



**WARNING: Never leave the heater unattended while operating.  
Disconnect the heater from its power source when not in use.**

# PARTS DIAGRAM

MODELS  
HF125K/HF175K/HF215K



**WARNING: Never leave the heater unattended while operating.  
Disconnect the heater from its power source when not in use.**

# PARTS LIST

KEY	DESCRIPTION	MODEL	PART NO
1	Drain Plug	HF125K, HF175K, HF215K	893090
2	Fuel Gauge Assembly	HF45K, HF75K	892822
		HF125K, HF175K, HF215K	892823
3	Fuel Filter Assembly	HF45K, HF75K	892824
		HF125K, HF175K, HF215K	892825
4	Fuel Cap Assembly		892826
5	Air Line	HF45K, HF75K	892813
		HF125K, HF215K	892814
		HF175K	892815
6	Thermostat Limit Control		80719
7	Fuel Line	HF45K, HF75K	893091
		HF125K, HF215K	893092
		HF175K	893093
8	Photocell		80819
9	Nozzle Assembly	HF45K	893094
		HF75K	892827
		HF125K	892828
		HF175K	892829
		HF215K	892830
10	Spark Plug		80729
11	Motor & Pump Assembly	HF45K	80821
		HF75K	80742
		HF125K	80743
		HF175K	80744
		HF215K	80745

KEY	DESCRIPTION	MODEL	PART NO
12	Rotor Kit	HF45K, HF75K, HF125K, HF175K	893075
		HF215K	893076
13	Air Filter Kit		892831
14	End Filter Cover		892816
15	Pump Adjustment Kit		83759
16	Fan Assembly	HF45K	893082
		HF75K	893083
		HF125K	893084
		HF175K	893085
		HF215K	893086
17	Igniter	HF45K, HF75K	80727
		HF125K, HF175K, HF215K	80726
18	Thermistor	HF75K, HF125K, HF175K, HF215K	80275
19	PCB		80728
20	Clips		83790
21	Top Handle	HF45K, HF75K	892819
22	Heat Shield	HF45K, HF75K	893077
		HF125K, HF175K, HF215K	893074
23	Fuse 250V/10A		80818
24	Pressure Gauge		81322

In order to maintain warranty, components must be replaced using original manufacturer's parts purchased through your dealer or directly from PowerFast Product Group at (423) 837-5155. Use of third party components will void the warranty.



**WARNING: Never leave the heater unattended while operating.  
Disconnect the heater from its power source when not in use.**





# LIMITED WARRANTY

PowerFast warrants this product, to the original retail purchaser only, to be free from defects in material and workmanship for a period of one (1) year from the date of the initial purchase as evidenced on an invoice, canceled check, sales receipt, etc. In the event of a defect, this Limited Warranty shall be limited to the repair or replacement of parts, which prove defective under normal use and service within the limited warranty period, and which PowerFast deems at its reasonable discretion. THE LIMITED WARRANTY SET FORTH HEREIN IS THE SOLE WARRANTY PROVIDED TO PURCHASER AND IS IN LIEU OF ALL OTHER WARRANTIES AND REPRESENTATIONS, EXPRESS OR IMPLIED. POWERFAST MAKES NO REPRESENTATIONS OR WARRANTIES WHATSOEVER, EXPRESS OR IMPLIED, WITH RESPECT TO THE PRODUCT, OTHER THAN (i) THE LIMITED WARRANTY ABOVE, AND (ii) ANY IMPLIED WARRANTIES IMPOSED BY APPLICABLE LAW WHICH CANNOT BE WAIVED OR DISCLAIMED UNDER APPLICABLE LAW. ALL OTHER WARRANTIES OF ANY KIND, INCLUDING WITHOUT LIMITATION IMPLIED WARRANTIES OF MERCHANTABILITY AND FITNESS FOR A PARTICULAR PURPOSE, ARE HEREBY DISCLAIMED AND EXCLUDED TO THE FULLEST EXTENT NOT PROHIBITED BY APPLICABLE LAW. This Limited Warranty gives the purchaser specific legal rights; a purchaser may have other rights depending upon where he or she resides. Some states do not allow the exclusion or limitation of special, incidental or consequential damages, or state law may affect the duration of limitations, so the above exclusion and limitations may not be applicable.

**OTHER LIMITATIONS:** PowerFast disclaims all other warranties for products that are purchased from sellers other than authorized retailers or distributors. This product must be properly installed, maintained and operated in accordance with the instructions provided herein. Furthermore, PowerFast requires reasonable proof of the date of purchase from an authorized retailer or distributor. This Limited Warranty does not cover any operational failures or difficulties due to normal use and wear and tear, accident, abuse, misuse, alteration, misapplication, improper installation or improper maintenance or service by you or any third party. Failure to perform normal and routine maintenance on the product, shipping damage related to animals, and damage due to weather are not covered under this Limited Warranty. In addition, this Limited Warranty does not cover damage to the finish on the product, such as scratches, dents, discoloration, rust or other weather damage. This warranty does not apply to products purchased for rental use. PowerFast assumes no responsibility for any defects caused by third parties. PowerFast does not authorize any person or company to assume for it any other obligation or liability in connection with the sale, installation, use, removal, return, or replacement of its products, and no such representations are binding on PowerFast.

**CLAIM PROCEDURE:** All transportation costs for the return of the damaged product or parts will be the responsibility of the purchaser. Upon receipt of the product, PowerFast will examine it and determine if the product contains a defect. PowerFast will repair or replace and return the item, freight pr-paid. If PowerFast finds the item to be in normal operating condition, or not defective, the item will be returned freight collect. Purchaser shall specify the model number(s) and serial number(s) of any product(s) when making any claims with PowerFast. Please use the following to identify your product:

Model #: \_\_\_\_\_

Serial #: \_\_\_\_\_

# GARANTIE LIMITEE



L'entreprise PowerFast garantit ce produit, seulement à l'acheteur commercial original, d'être sans défaut matériel ou manutentionnaire pour une période d'un (1) an, à partir de la date d'achat initiale, tel que convenu sur la facture, sur le chèque annulé sur le reçu de l'achat, etc. En cas de défaut, cette garantie limitée est limitée à la réparation ou au remplacement des pièces qui se prouvent défectueuses selon l'usage normal et le service normal, convenu à l'intérieur de la garantie limitée, et qui est jugé convenable à la discrétion de PowerFast. LA GARANTIE LIMITEE DÉNOTÉE CI-JOINT EST LA SEULE GARANTIE FOURNIE À L'ACHETEUR ET EST EN LIEU DE TOUT AUTRE GARANTIE OU REPRÉSENTATION, EXPRESSE OU IMPLICITE. POWERFAST NE FAIT AUCUNE REPRÉSENTATION OU GARANTIE QUE CE SOIT, QU'ELLE SOIT IMPLICITE OU EXPRESSE, EN RESPECT AU PRODUIT, AUTRE QUE (i) LA GARANTIE LIMITEE MENTIONNÉE CI-DESSUS, ET (ii) TOUTE GARANTIE IMPLICITE IMPOSÉE PAR LA LOI APPLICATION QUI NE PEUT ÊTRE ANNULÉE OU DÉCLINÉE SELON LA LOI APPLICABLE. TOUTE AUTRE GARANTIE, DE TOUT GENRE, INCLUANT MAIS SANS S'Y LIMITER AUX GARANTIES IMPLICITES DE QUALITÉ MARCHANDE OU D'APTITUDE POUR UN BUT PARTICULIER, SONT DONC DÉCLINÉES ET EXCLUSES AU PLUS HAUT POINT SELON LA LOI APPLICABLE. Cette garantie limitée donne à l'acheteur des droits légaux spécifiques; un acheteur pourrait avoir des droits différents selon son lieu de résidence. Certains états ne permettent pas l'exclusion ou la limitation de dommages spécifiques, accessoires ou consécutifs, ou des lois d'état qui peuvent affecter la durée des limitations; l'exclusion et les limitations précédentes pourraient ne pas s'appliquer.

**AUTRES LIMITATIONS:** PowerFast décline toutes autres garanties pour les produits qui sont achetés auprès d'autres vendeurs que ceux autorisés. Ce produit doit être proprement installé, entretenu et doit fonctionner selon les instructions ci-jointes. De plus, PowerFast requiert une preuve raisonnable de la date d'achat effectuée auprès du fournisseur ou du distributeur autorisé. Cette garantie limitée ne couvre pas les échecs ou les difficultés opérationnelles dus à un usage régulier et à l'usure, aux accidents, aux abus, à l'abus, aux altérations, à l'installation ou à l'entretien incorrects effectués par vous ou par une troisième partie. Un échec d'effectuer l'entretien normal et routinier de ce produit, les dommages d'expédition, les dommages effectués par des animaux, et ceux faits par les événements météorologiques ne sont pas couverts dans cette garantie limitée. Également, cette garantie limitée ne couvre pas le dommage fait au fini de ce produit, comme les égratignures, les bosses, la discoloration du produit, la rouille ou tout autres dommages faits par les événements météorologiques. Cette garantie ne s'applique pas aux produits achetés pour la location. PowerFast n'assume aucune responsabilité envers les défauts effectués par des troisième parties. PowerFast n'autorise aucune personne ou aucune entreprise d'assumer pour elle-même toute obligation ou toute forme de responsabilité pour la vente, l'installation, l'utilisateur, l'enlèvement, le retour ou le remplacement de ses produits, et aucune de ces représentations ne permette de lier PowerFast.

**PROCÉDURE DE RÉCLAMATION:** Tous les coûts de transport pour le retour d'un produit ou de pièces endommagées seront de la responsabilité de l'acheteur. Au moment de la réception du produit, PowerFast examinera et déterminera si le produit est défectueux ou non. PowerFast réparera ou remplacera le produit, par transport prépayé. Si PowerFast trouve que le produit fonctionne selon les normes de fonctionnement normales, et qu'il n'est pas défectueux, le produit sera retourné par port dû. Les acheteurs devront spécifier le numéro du modèle et le numéro de série de tout produit lorsqu'ils feront les réclamations auprès d'PowerFast. Veuillez fournir les informations suivantes afin d'identifier votre produit:

Modèle #:

No de série:

# LISTE DES PIÈCES

RÉFÉRENCE	DESCRIPTION	MODÈLE	NO. DE PIÈCE
1	Bouchon de vidange	HF125K, HF175K, HF215K	893090
2	Assemblage de la jauge de carburant	HF45K, HF75K	892822
		HF125K, HF175K, HF215K	892823
3	Assemblage du filtre à carburant	HF45K, HF75K	892824
		HF125K, HF175K, HF215K	892825
4	Assemblage du bouchon du réservoir	HF45K, HF75K	892826
5	Conduite d'air	HF45K, HF75K	892813
		HF125K, HF215K	892814
		HF175K	892815
6	Contrôle de la limite du thermostat	80719	
7	Ligne de carburant	HF45K, HF75K	893091
		HF125K, HF215K	893092
		HF175K	893093
8	Cellule photoélectrique	80819	
9	Assemblage de l'embout	HF45K	893094
		HF75K	892827
		HF125K	892828
		HF175K	892829
10	Bougie d'allumage	HF215K	892830
		80729	
11	Assemblage du moteur et de la pompe	HF45K	80821
		HF75K	80742
		HF125K	80743
		HF175K	80744
		HF215K	80745

RÉFÉRENCE	DESCRIPTION	MODÈLE	NO. DE PIÈCE
12	Trousse du rotor	HF45K, HF75K, HF125K, HF175K	893075
		HF215K	893076
13	Trousse du filtre à air		892831
14	Couverture de l'extrémité du filtre		892816
15	Trousse de réglage de la pompe		83759
16	Assemblage du ventilateur	HF45K	893082
		HF75K	893083
		HF125K	893084
		HF175K	893085
17	Allumeur	HF125K, HF175K, HF215K	80726
HF45K, HF75K		80727	
18	Thermistance	HF75K, HF125K, HF175K, HF215K	80275
19	PCB		80728
20	Pinces		83790
21	Poignée supérieure	HF45K, HF75K	892819
22	Ecran thermique	HF45K, HF75K	893077
		HF125K, HF175K, HF215K	893074
23	Disjoncteur 250 V/ 10 A		80818
24	Manomètre		81322

Afin de maintenir la garantie, les composants doivent être remplacés avec les pièces d'origine achetées auprès du fabricant ou directement auprès du groupe de produits PowerFast au (423) 837-5155. L'utilisation de composants tiers annulera la garantie.

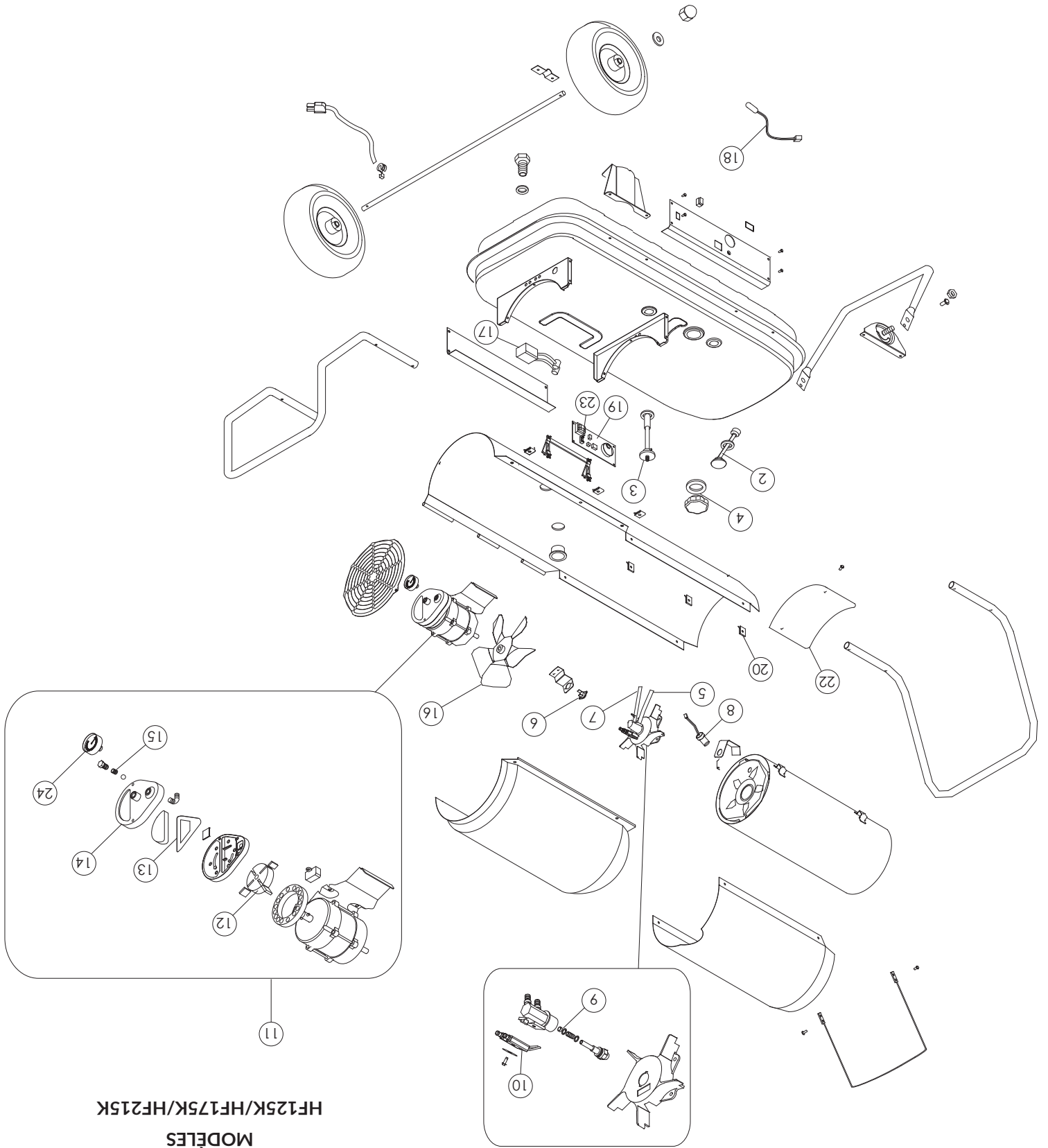
**AVERTISSEMENT : Ne laissez jamais ce radiateur sans surveillance lorsqu'il fonctionne. Toujours débrancher ce radiateur lorsque vous ne l'utilisez pas.**



# SCHEMA DES PIÈCES

MODÈLES

HF125K/HF175K/HF215K

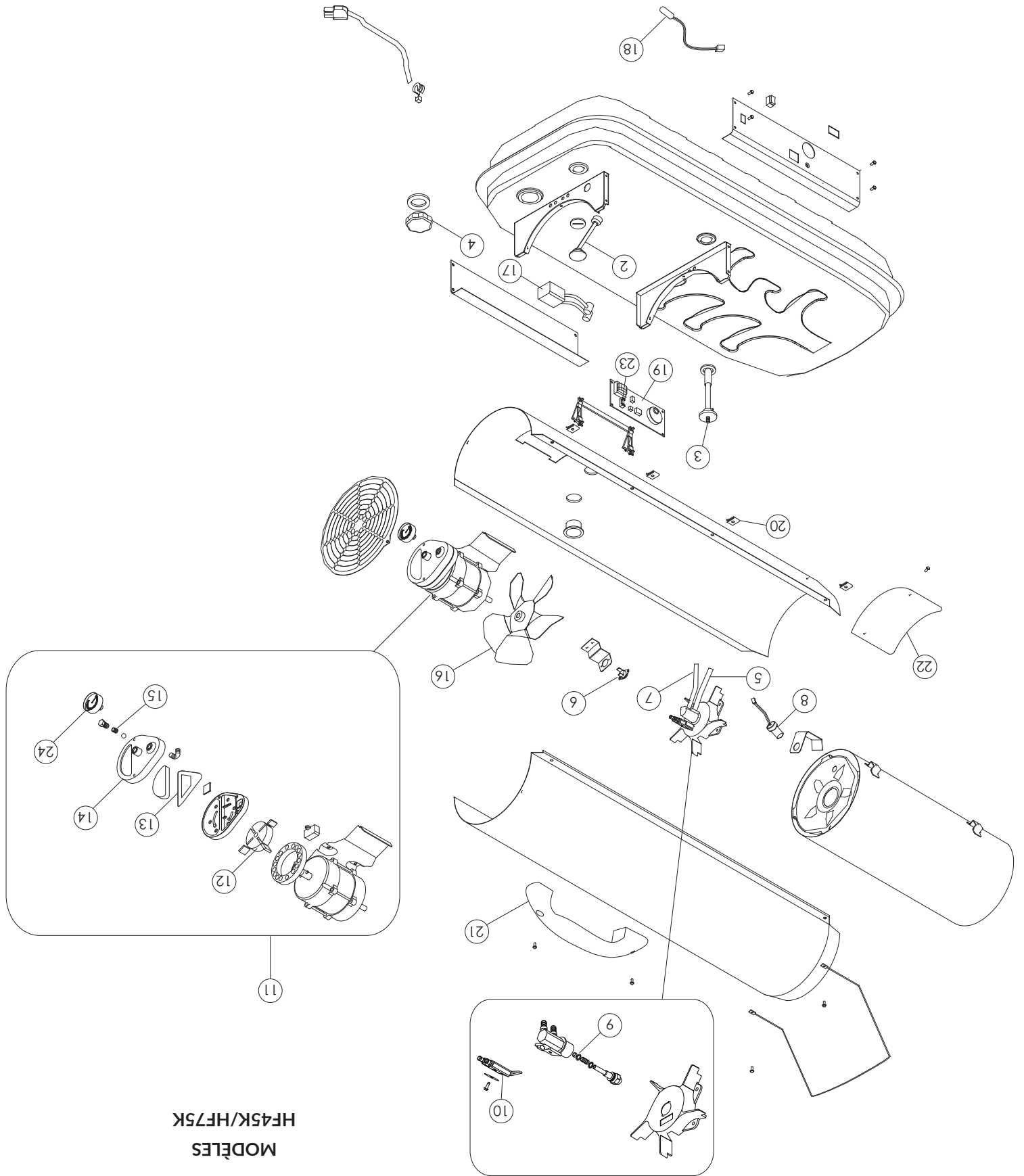


**AVERTISSEMENT : Ne laissez jamais ce radiateur sans surveillance lorsqu'il fonctionne. Toujours débrancher ce radiateur lorsque vous ne l'utilisez pas.**



# SCHEMA DES PIÈCES

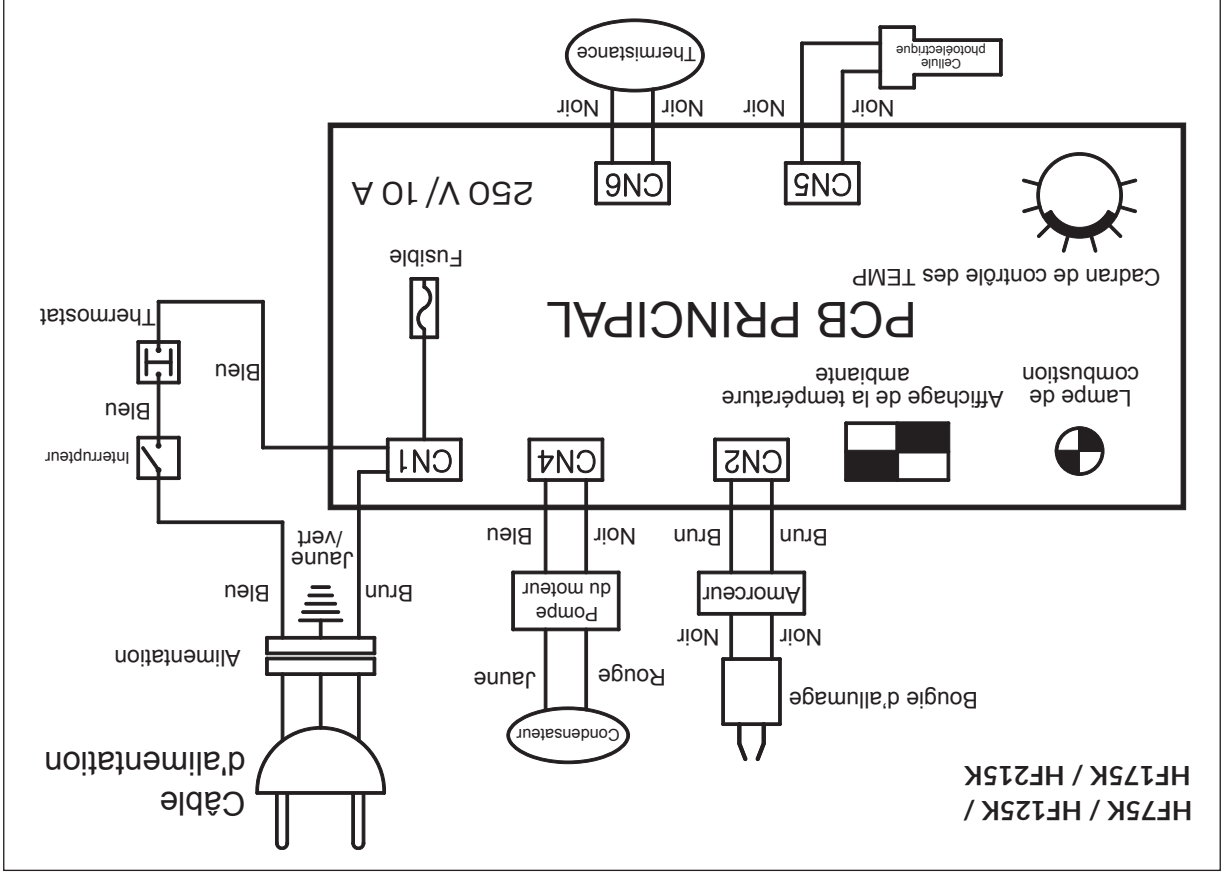
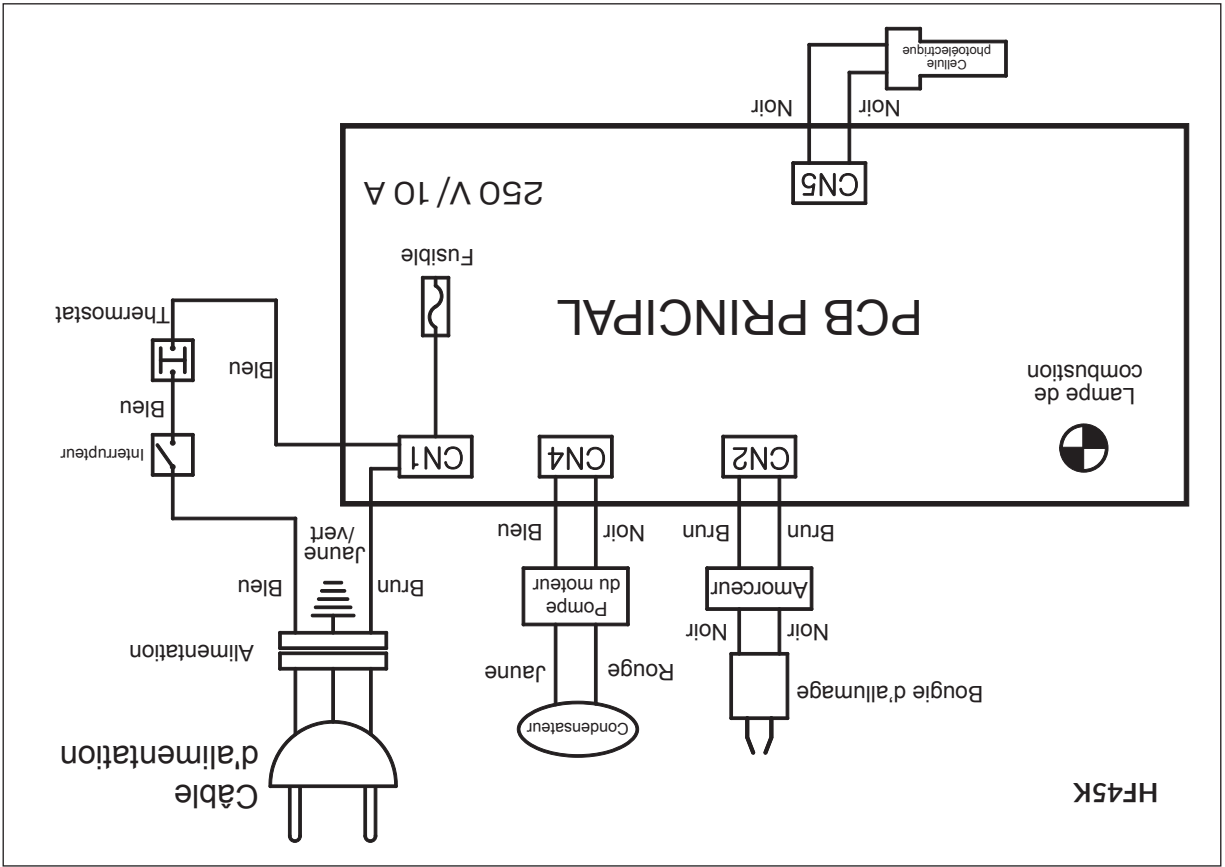
MODELES  
HF45K/HF75K



**AVERTISSEMENT :** Ne laissez jamais ce radiateur sans surveillance lorsqu'il fonctionne.  
Toujours débrancher ce radiateur lorsque vous ne l'utilisez pas.



# DIAGRAMME DES CIRCUITS ÉLECTRIQUES



**AVERTISSEMENT : Ne laissez jamais ce radiateur sans surveillance lorsqu'il fonctionne. Toujours débrancher ce radiateur lorsque vous ne l'utilisez pas.**



## RÉGLAGE DE LA PRESSION DE LA POMPE

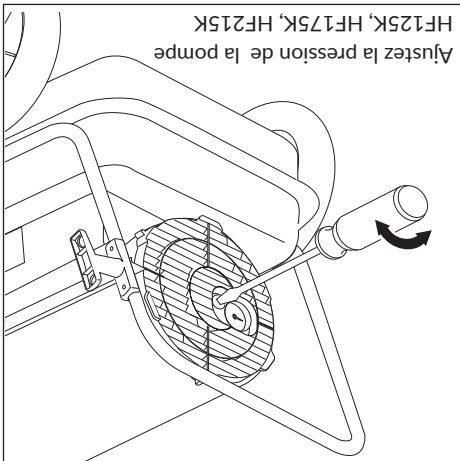
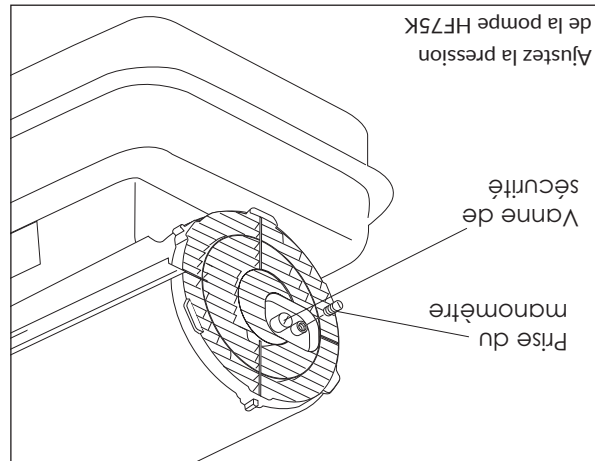
Après des heures d'utilisation, il se peut qu'il soit nécessaire de régler la pression de la pompe.

Le radiateur ne brûle par de flamme forte;

Augmentez la pression en tournant la vis de réglage dans le sens horaire.

Si le radiateur produit une flamme qui dépasse l'extrémité du radiateur :

Réduisez la pression en tournant la vis de réglage dans le sens antihoraire.



MODÈLE		PRESSION DE LA POMPE		
HF45K	HF75K	HF125K	HF175K	HF215K
3.3 PSI	3.2 PSI	5.2 PSI	6.0 PSI	7.0 PSI

## DÉPANNAGE

CAUSE POSSIBLE		MESURE CORRECTIVE	
E1	Pénurie de pétrole Mauvaise cellule photoélectrique (détecteur de flamme) Combustion incomplète Contamination du filtre de carburant Echec d'allumage	Changez le carburant (remplissez le radiateur si nécessaire) Vérifiez et nettoyez la cellule photoélectrique (détecteur de flamme) Utilisez le carburant désigné Nettoyez ou remplacez le filtre à carburant Vérifiez la connexion des câbles Vérifiez la bougie d'allumage pour un allumage régulier (nettoyez-le ou remplacez-le si nécessaire)	Erreur de cellule photoélectrique (détecteur de couleur de flamme)
E2	Mauvaise connexion ou mauvais fonctionnement du détecteur.	Vérifiez la connexion des câbles Remplacez le détecteur	Erreur durant le fonctionnement
LO	Sous 1°F	Normal	
HI	Au-dessus de 99°F	Normal	
OH	Le radiateur s'arrête lorsque la température atteint 140°F	Redémarrez après le refroidissement	
CN	Opération continue sans température préprogrammée.	Normal	
Clignote	Erreur durant le fonctionnement	Vérifier le code d'erreur Réinitialiser pour redémarrer	

**AVERTISSEMENT : Ne laissez jamais ce radiateur sans surveillance lorsqu'il fonctionne. Toujours débrancher ce radiateur lorsque vous ne l'utilisez pas.**





## EMBOUT ET BOUGIE D'ALLUMAGE

Un carburant contaminé, l'accumulation de carbone ou de saletés peuvent avoir une incidence sur la performance de ces pièces. Nettoyez ou remplacez ces pièces toutes les 500 heures ou au besoin pour garantir la performance optimale du radiateur.

## REMPLENER L'EMBOUT

1. Retirer la coque supérieure.
2. Débrancher les conduites d'air et de carburant de la tige de la buse.
3. Retirer les fils de l'allumeur de la bougie.

4. Retirez la bougie d'allumage de la tige de la buse à l'aide d'un tournevis cruciforme.
5. Tournez la tige de la buse dans le sens antihoraire pour la retirer de la tête du brûleur.

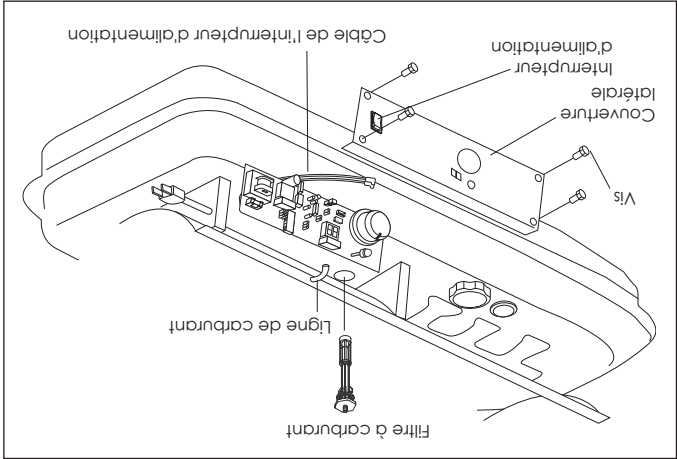
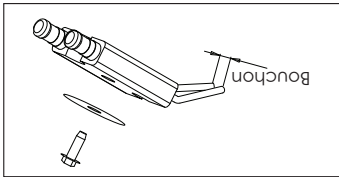
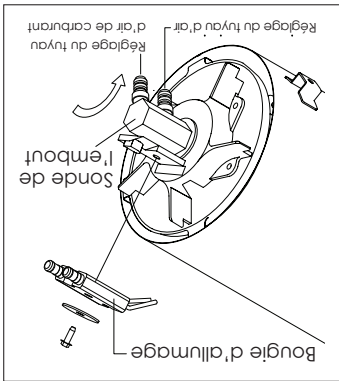
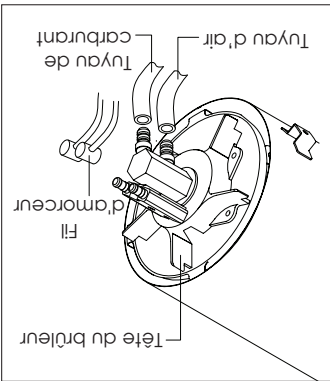
6. Retirez délicatement la buse de sa tige à l'aide d'une clé à douille de 5/8".
7. Faire tremper la buse dans du kérosène 1-K propre pour libérer les particules.
8. Injectez de l'air comprimé dans l'ouverture avant de la buse pour détacher les particules.

## PORTER DES LUNETTES DE SÉCURITÉ.

9. Installez une nouvelle buse (ou nettoyée) dans la tige de la buse et serrez fermement.
10. Remontez en inversant les étapes énumérées ci-dessus.

## REMPLENER LA BOUGIE D'ALLUMAGE

1. Enlevez l'enveloppe supérieure.
2. Retirez le câble d'allumage de la bougie d'allumage.
3. Retirez la bougie d'allumage de la sonde de l'embout en utilisant un tournevis Phillips moyen.
4. Nettoyez et resserez les jauges d'allumage des électrodes pour obtenir un espace de 0,140 po (3,5 mm).
5. Réinstallez la bougie d'allumage dans la sonde de l'embout.
6. Attachez le câble d'allumage à la bougie d'allumage.
7. Fixez l'enveloppe supérieure.



## FILTRE À CARBURANT

Le filtre à carburant devrait être nettoyé ou remplacé en début de saison et au besoin au cours de la saison pour garantir la performance optimale du radiateur. Nettoyez le filtre à carburant en rinçant l'écran avec du kérosène 1-K propre.

1. Enlevez les vis du panneau latéral droit en utilisant un tournevis Phillips moyen.
2. Enlevez le couvercle latéral.
3. Déconnectez la conduite de carburant au filtre de carburant.
4. Tournez le filtre à carburant à 90 degrés dans le sens antihoraire en utilisant une clé réglable.
5. Tirez vers le haut puis retirez.
6. Nettoyez le filtre à carburant avec du kérosène 1-K propre.
7. Insérez le filtre à carburant dans le réservoir à carburant en ajustant la clé ajustable en tournant le filtre à 90 degrés dans le sens horaire.
8. Attachez la ligne de carburant au filtre de carburant.
9. Réinstallez la couverture latérale avec les vis fournies.

# CALENDRIER DE L'ENTRETIEN SAISONNIER



**AVERTISSEMENT : Ne laissez jamais ce radiateur sans surveillance lorsqu'il fonctionne. Toujours débrancher ce radiateur lorsque vous ne l'utilisez pas.**

## AVANT D'UTILISER CE RADIATEUR

Inspectez visuellement le radiateur pour détecter la présence de dommages. Il se peut que certaines pièces se soient desserrées ou aient été endommagées lors de la manipulation de l'appareil. Assurez-vous que le bouchon du réservoir est solidement fixé et vérifiez que le bouchon de vidage (le cas échéant selon votre modèle) est bien installé. Veuillez remplacer ou réparer toutes les pièces endommagées avant d'utiliser ce radiateur. UTILISEZ LES PIÈCES DE REMPLACEMENT ORIGINALES DE L'ÉQUIPEMENT. L'utilisation de composants provenant de tiers ou de composants alternatifs annulera la garantie et pourrait causer des conditions de fonctionnement non sécuritaires. Si vous avez besoin de pièces de remplacement ou d'assistance, veuillez appeler PowerFast Product Group au (423) 837-5155.

## FILTRE D'ENTRÉE D'AIR

Les filtres d'aspiration sales peuvent causer un déséquilibre dans le mélange carburant-air, entraînant des démarrages difficiles, une mauvaise combustion et des odeurs. Ne faites jamais fonctionner un appareil de chauffage sans les filtres en place. Retirer et laver la consommation avec un détergent doux et de l'eau. Bien sécher et remplacer le filtre. Nettoyez les filtres toutes les 500 heures, au besoin.

## FILTRE À PELUCHES ET FILTRE DE SORTIE D'AIR

La sortie et le filtre à charpie ne sont pas conçus pour être nettoyés et réutilisés. Ne pas laver ces filtres. Remplacez les filtres sales au début de chaque saison.

## REMPACER LES FILTRES À AIR

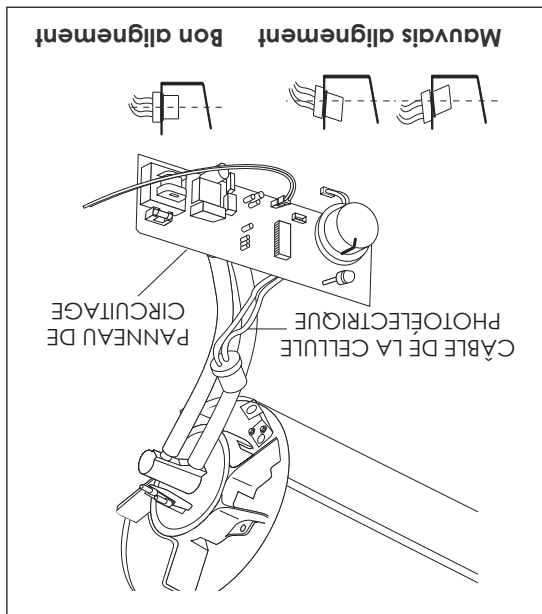
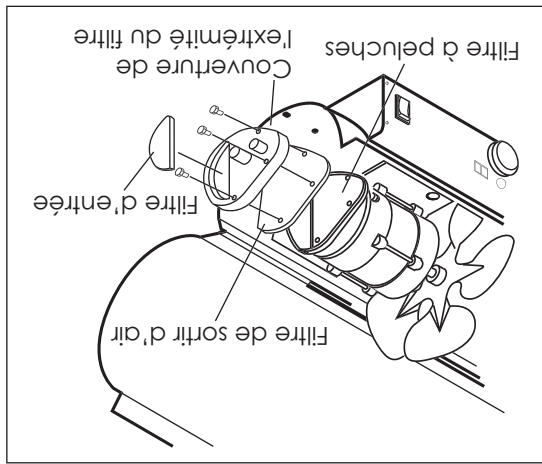
1. Enlevez l'enveloppe supérieure et le protecteur de ventilateur.
2. Enlevez les vis de couverture de l'extrémité du filtre avec un tournevis Phillips moyen.
3. Enlevez le couvercle d'extrémité du filtre.
4. Remplacez le filtre d'entrée d'air, le filtre de sortie d'air et le filtre à peluches.
5. Réinstallez le couvercle d'extrémité du filtre.
6. Réinstallez le protecteur de ventilateur et l'enveloppe supérieure.

## CELLULE PHOTOÉLECTRIQUE

La lentille optique peut devenir sale ou opaque lors de l'utilisation. Nettoyez la lentille à l'aide d'alcool isopropylique ou avec de l'eau et un chiffon doux ou coton-tige toutes les 500 heures ou au besoin.

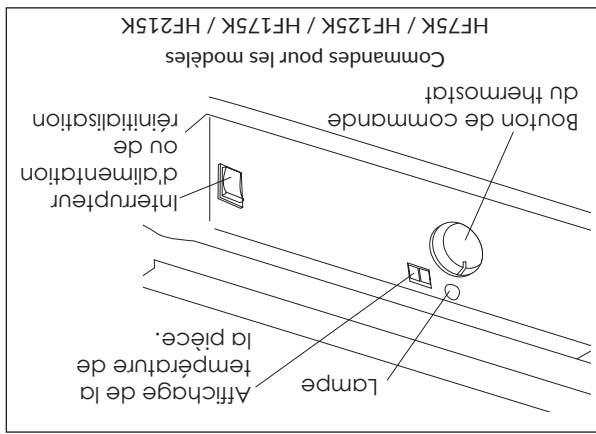
## REMPACER LA CELLULE PHOTOÉLECTRIQUE

1. Enlevez l'enveloppe supérieure.
2. Enlevez le panneau latéral droit.
3. Déconnectez les câbles du panneau de circuitage (PCB).
4. Faites tourner pour desserrer la cellule photoélectrique du support pour cellule photoélectrique.
5. Nettoyez la lentille ou remplacez la cellule photoélectrique.
6. Insérez la cellule photoélectrique dans le support pour cellule photoélectrique.
7. Alignez correctement la cellule photoélectrique dans le support.
8. Attachez les câbles au panneau de circuitage.
9. Réinstallez le panneau latéral droit.
10. Fixez l'enveloppe supérieure.



## RÉGLER LE THERMOSTAT

- Tournez le bouton de commande des températures dans le sens horaire pour obtenir la température souhaitée. Mettez le bouton d'alimentation en position « ON » (MARCHÉ). La lampe d'indication de l'alimentation s'allumera et le radiateur commencera.
- Si le radiateur ne s'allume pas, les réglages du thermostat pourraient être inférieurs à la température ambiante.
- Tournez le bouton de commande du thermostat sur un réglage de température plus élevée.
- Si le radiateur ne démarre toujours pas, mettez l'interrupteur en position « OFF » (ARRÊT). Attendez 10 secondes. Placez l'interrupteur en position « ON » (MARCHÉ).  
**REMARQUE :** Les composantes électriques principales de ce radiateur sont protégées par un disjoncteur de sécurité monté sur le panneau PCB qui se trouve à l'arrière du panneau latéral droit. Vérifiez ce disjoncteur en premier et remplacez-le si nécessaire si le radiateur refuse d'allumer. Vous devez également vérifier votre source d'alimentation afin de vous assurer que le voltage et la fréquence sont appropriées pour le radiateur.



## ÉTEINDRE LE RADIATEUR

1. Mettez le bouton d'alimentation en position « OFF » (ARRÊT).
2. Attendez que la radiateur ait refroidi, puis débranchez-le de la source d'alimentation.

## REDÉMARRER LE RADIATEUR

1. Patientez pendant 10 secondes après avoir arrêté le radiateur.
2. Mettez le bouton d'alimentation en position « ON » (MARCHÉ).
3. Si le radiateur ne s'allume pas, les réglages du thermostat pourraient être inférieurs à la température ambiante. Tournez le bouton de commande du thermostat sur un réglage de température plus élevée. Si le radiateur ne démarre toujours pas, mettez l'interrupteur en position « OFF » (ARRÊT). Attendez 10 secondes. Placez l'interrupteur en position « ON » (MARCHÉ).

## REDÉMARRER LE RADIATEUR APRÈS UN ARRÊT DE SÉCURITÉ

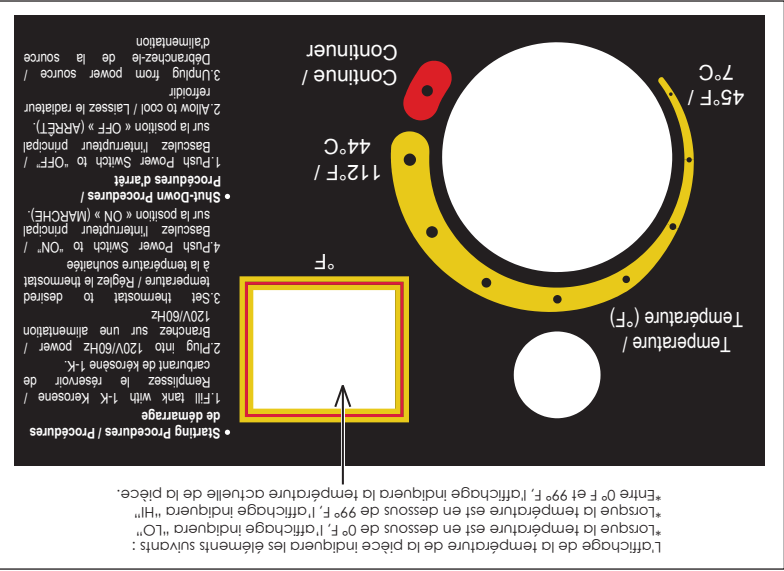
1. Mettez le bouton d'alimentation en position « OFF » (ARRÊT).
2. Débranchez le radiateur de sa source d'énergie.
3. Veuillez attendre 10 secondes pour que le système se réinitialise.
4. Branchez le radiateur dans sa source d'énergie.
5. Mettez le bouton d'alimentation en position « ON » (MARCHÉ).

# ENTRETIEN

**AVERTISSEMENT :** NE PAS MANIPULER LE RADIATEUR. DEMANDEZ À UN ÉLECTRICIEN OU TECHNICIEN COMPÉTENT D'EFFECTUER TOUTS LES RÉGLAGES ET RÉPARATIONS NÉCESSAIRES.

**AVERTISSEMENT :** DÉBRANCHEZ LE RADIATEUR DE SA SOURCE D'ÉNERGIE AVANT CHAQUE ENTRETIEN.

**AVERTISSEMENT :** CHAUD LORSQU'IL FONCTIONNE. NE PAS TOUCHER. LAISSEZ LE RADIATEUR SE REFRROIDIR AVANT TOUT ENTRETIEN.



# PRÉPARATION POUR DÉMARRER VOTRE RADIATEUR

Inspectez visuellement le radiateur pour détecter la présence éventuelle de dommages. Si vous détectez la présence de dommages, n'utilisez pas le radiateur. Veuillez appeler PowerFast Product Group au (423) 837-5155 pour demander de l'aide. Veuillez lire, comprendre et suivre toutes ces consignes avant d'assembler, d'utiliser ou d'effectuer l'entretien de ce radiateur.

## ALIMENTER LE RADIATEUR

Assurez-vous que la radiateur est à niveau. Enlevez le bouchon du réservoir et remplissez le réservoir à carburant de kérosène propre pour garantir la performance optimale de ce radiateur. Ce radiateur a été agréé en usine pour une utilisation avec JPB/Jet A, du mazout #1 et #2 et du diesel #1 et #2. Le diesel ne brûle pas aussi proprement que le kérosène 1-K, et vous devrez prendre soin d'offrir une ventilation d'air frais appropriée afin d'accommoder l'expulsion des contaminants supplémentaires qui pourraient être produits lors de l'utilisation du radiateur. Par temps extrêmement froid, il est recommandé d'utiliser un stabilisateur de carburant formulé pour évacuer la condensation et éviter que le carburant ne se gèle lorsqu'il est ajouté au réservoir à carburant. Ne pas trop remplir le réservoir de carburant. Remplacez le bouchon du réservoir après le ravitailllement du réservoir de carburant.

- N'emmagasinez JAMALS du kérosène dans un espace habitable. Le kérosène doit être emmagasiné dans un endroit bien ventilé hors des espaces habitables.
- N'emmagasinez JAMALS du kérosène qui a été emmagasiné une saison précédente pour être utilisé durant la saison présente. Le kérosène se détériore au fil du temps. DU VIEUX KÉROSÈNE NE BRÛLERA PAS DE MANIÈRE APPROPRIÉE DANS CE RADIATEUR.
- Utilisez du kérosène 1-K avec ce radiateur Carburant no. 1 (l'huile est un substitut adéquat).

### AVERTISSEMENT :

- NE PAS DÉMARRER LE RADIATEUR LORSQUE CELUI-CI EST CHAUD.
- NE PAS DÉMARRER LE RADIATEUR LORSQUE TROP DE CARBURANT S'EST ACCUMULÉ DANS LA CHAMBRE.
- N'EST PAS DESTINÉ À UNE UTILISATION AVEC UN RÉSERVOIR À CARBURANT EXTERNE.
- NE REMPLISSEZ JAMAIS LE RÉSERVOIR DE CARBURANT DANS UN ESPACE HABITABLE.
- N'UTILISEZ PAS D'ESSENCE OU D'HUILE À VIDANGE POUR CARTER, DE NAPHTE OU DE CARBURANTS VOLATILS.
- REMPLISSEZ TOUJOURS LE RÉSERVOIR À CARBURANT À L'EXTÉRIEUR DES ESPACES HABITABLES.

### AVIS :

Le premier allumage de votre radiateur doit être fait à L'EXTÉRIEUR. Ce premier allumage permettrait aux huiles et autres lubrifiants utilisés durant le processus de fabrication d'être brûlés à l'extérieur.

### AVERTISSEMENT : RISQUE D'EMPOISONNEMENT AU MONOXYDE DE CARBONE

- Utilisez ce radiateur uniquement dans des endroits bien ventilés! Offrez au moins une ouverture de trois pieds carrés (2 800 cm<sup>2</sup>) d'air extérieur pour chaque mesure de 45 000 BTU/heure du taux de combustion du radiateur.
- Des signes précoces d'empoisonnement au monoxyde de carbone ressemblent à des symptômes typiques de la grippe, comme des maux de tête, des étourdissements ou de la nausée. Si vous éprouvez ces symptômes, votre radiateur pourrait mal fonctionner.
- Sortez immédiatement à l'air frais! Faites vérifier votre radiateur.
- Certains personnes peuvent être davantage affectées par le monoxyde de carbone. Ces personnes incluent les femmes enceintes, les personnes avec des problèmes cardiaques ou pulmonaires, les personnes souffrant d'anémie ou celles étant sous influence d'alcool, ou se trouvant à haute altitude.
- Ne jamais utiliser ce radiateur dans les chambres à coucher.
- Les gens souffrant de problèmes respiratoires doivent consulter un médecin avant d'utiliser ce radiateur.

## BRANCHER À LA SOURCE D'ALIMENTATION

Après avoir rempli le réservoir à carburant de combustible homologué, branchez la prise à une rallonge mise à la terre à 3 volets correctement calibrée pour cette application.

- 6 à 10 pieds (1,8 à 3 mètres): utilisez un conducteur 18 AWG.
- 11 à 100 pieds (3,4 à 30,53 mètres): utilisez un conducteur 16 AWG.
- 101 à 200 pieds (30,8 à 61 mètres): utilisez un conducteur 14 AWG.

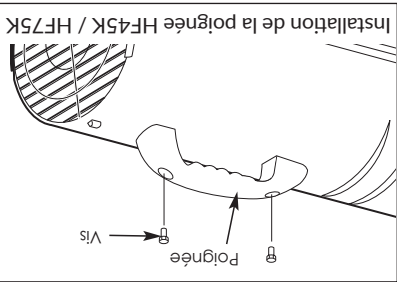
**AVERTISSEMENT : Ne laissez jamais ce radiateur sans surveillance lorsqu'il fonctionne. Toujours débrancher ce radiateur lorsque vous ne l'utilisez pas.**



# ASSEMBLAGE

## UNIQUEMENT POUR LES MODELES HF45K & HF75K

1. Alignez les trous du boîtier supérieur avec les trous de support dans la poignée, comme indiqué.
2. Fixez la poignée dans les trous.



## POUR LES MODELES AVEC ROUES

Ces modèles sont livrés complets avec des roues et des poignées. Les roues, les poignées et le matériel de montage sont situés dans le carton d'expédition.

1. Sécuriser le support d'essieu au cadre de support de roue.

2. Faites glisser l'essieu dans le support d'essieu.

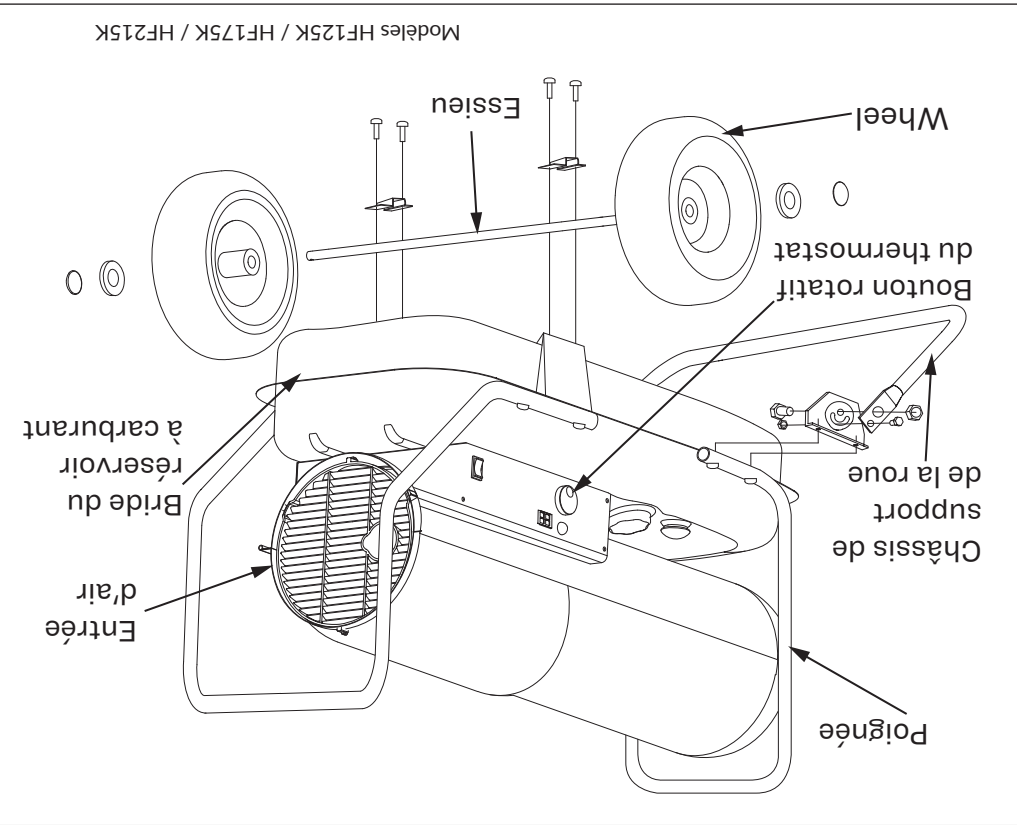
3. Installez les roues sur l'essieu, avec la valve tournée vers l'extérieur.

4. Placez les rondelles plates et l'écrou de fixation aux extrémités des essieux.

5. Serrer les supports d'essieu.

6. Positionnez le tuyau de réglage de la hauteur pour aligner le trou comme indiqué.

7. Insérez et serrez le boulon (M8).



## OUTILS REQUIS

Pour fixer le protecteur :

1. Enlevez les vis de l'enveloppe supérieure et mettez-les de côté.

2. Alignez les orifices du protecteur aux orifices situés dans l'enveloppe supérieure, tel qu'illustré.

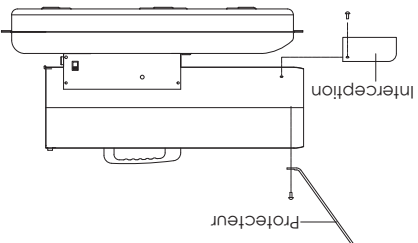
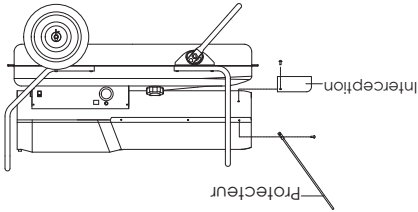
3. Fixez le protecteur à l'enveloppe supérieure en insérant puis resserrant les vis.

Pour fixer l'intercepteur :

1. Enlevez les vis de l'enveloppe inférieure et mettez-les de côté.

2. Alignez les orifices de l'intercepteur aux orifices situés dans l'enveloppe inférieure, tel qu'illustré.

3. Fixez l'intercepteur à l'enveloppe inférieure en insérant puis resserrant les vis.



**AVERTISSEMENT : Ne laissez jamais ce radiateur sans surveillance lorsqu'il fonctionne. Toujours débrancher ce radiateur lorsque vous ne l'utilisez pas.**





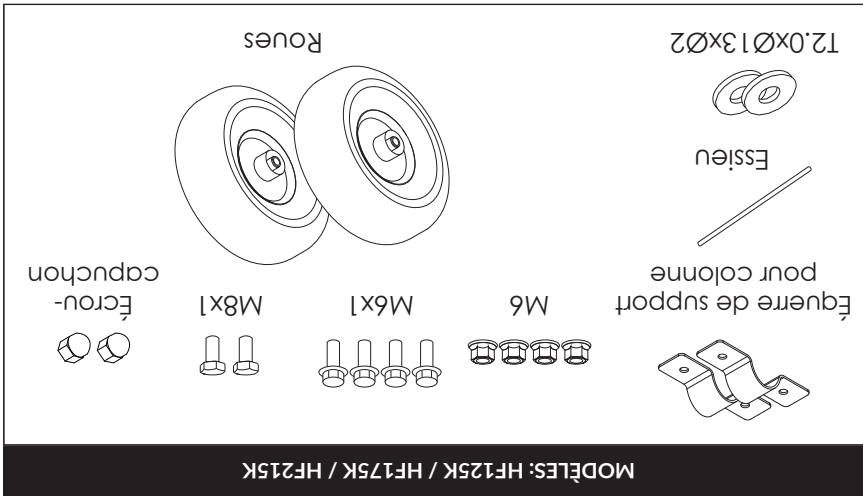
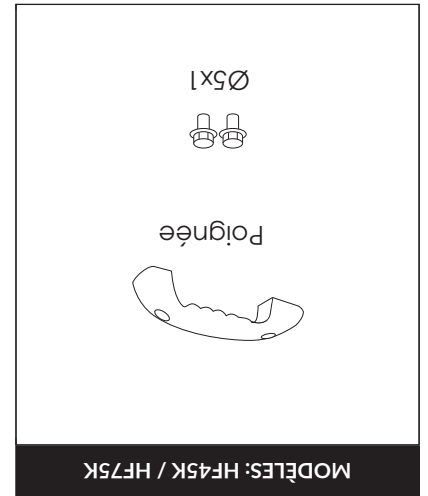
**AVERTISSEMENT : Ne laissez jamais ce radiateur sans surveillance lorsqu'il fonctionne. Toujours débrancher ce radiateur lorsque vous ne l'utilisez pas.**

**OUTILS REQUIS POUR L'ASSEMBLAGE**

- Tournevis Phillips moyen
- Clé M5 ouverte ou réglable

1. Retirez le radiateur de la boîte.
2. Enlevez tous les produits d'emballage de la boîte associés au radiateur.
3. Enlevez tous les articles de la boîte.
4. Vérifiez le radiateur afin de déceler la présence possible de dommages au cours de l'expédition. Si le radiateur est endommagé, veuillez informer rapidement PowerFast Product Group au (423) 837-5155.

**DÉBALLAGE**



**LISTE DES PIÈCES**

Modèle	Type de carburant	Taux d'entrée	Pression de la pompe	Capacité du réservoir à carburant	Consommation de carburant	Entrée électrique	Fusible
HF45K	Kérosène	45 000/13,2	3,3 PSI	5,3 Gal	0,32 gal/heure	120 V, 60 Hz / 1,2 A	250 V/10 amp.
HF75K	Kérosène	75 000/21,9	3,2 PSI	5,3 Gal	0,55 gal/heure	120 V, 60 Hz / 1,3 A	250 V/10 amp.
HF125K	Kérosène	125 000/36,6	5,2 PSI	10,6 Gal	0,95 gal/heure	120 V, 60 Hz / 2,1 A	250 V/10 amp.
HF175K	Kérosène	175 000/51,3	6,0 PSI	13,2 Gal	1,32 gal/heure	120 V, 60 Hz / 2,5 A	250 V/10 amp.
HF215K	Kérosène	210 000/61,5	7,0 PSI	13,2 Gal	1,58 gal/heure	120 V, 60 Hz / 2,7 A	250 V/10 amp.

**PARTICULARITÉS GÉNÉRALES**

**CARACTÉRISTIQUES DU PRODUIT**



**AVERTISSEMENT : DISTANCES DE DÉGAGEMENT MINIMALES DES MATÉRIAUX COMBUSTIBLES**

AVANT 10 pi / 3,0 m

CÔTÉS 3 pi / 1,0 m

DESSUS 3 pi / 1,0 m

POUR UNE UTILISATION SUR DES PLANCHERS NON COMBUSTIBLES AVEC DES DÉGAGEMENTS MINIMAUX AUTOUR DES MATÉRIAUX COMBUSTIBLES.

**AVERTISSEMENT :**



**Risque de mauvaise qualité de l'air**

- N'utilisez pas ce radiateur pour chauffer des logements humains.
  - L'utilisation de radiateurs à feu direct dans l'environnement de construction peut conduire à une exposition à des niveaux de CO, CO<sub>2</sub> et NO<sub>2</sub> considérés comme étant dangereux pour la santé et potentiellement mortels.
  - Ne pas l'utiliser dans les endroits non ventilés.
  - Bien connaître les signes d'empoisonnement au CO et CO<sub>2</sub> :
    - Maux de tête, brûlure des yeux
    - Étourdissements, désorientation
    - Difficultés respiratoires, sensation d'étouffement.
  - Une ventilation et circulation d'air adéquates (OSHA 29 CFR 1926.57) visant à soutenir la combustion et à maintenir une qualité de l'air appropriée devront être fournies conformément aux réglementations en matière de sécurité de l'OSHA 29 CFR Partie 1926.154
- et de la norme ANSI A10.10 pour les dispositifs et équipements de chauffage d'espaces temporaires et portatifs utilisés dans l'industrie de la construction ou aux Codes d'installation du gaz naturel et du propane CSA B149.1.
- Veuillez suivre périodiquement les niveaux de CO, CO<sub>2</sub> et NO<sub>2</sub> existant sur le site de construction - au moins au début du quart et toutes les 4 heures par la suite.
  - Veuillez fournir une ventilation et circulation d'air adéquates, naturelles ou mécaniques, tel que requis afin de maintenir une qualité de l'air intérieur acceptable.
  - Assurez-vous que le flux d'air de combustion et de ventilation n'est pas obstrué.
  - Comme le bâtiment « se resserrera » au cours des étapes de construction, il se peut que la ventilation doit être augmentée.

**États-Unis Moyenne pondérée dans le temps sur 8 heures (OS A 29 CFR 1926.55 App A)**

CO	CO <sub>2</sub>	NO <sub>2</sub>
50 ppm	5000 ppm	N/A
CO	CO <sub>2</sub>	NO <sub>2</sub>
N/A	N/A	5 ppm

**États-Unis - limite de plafond (limite d'exposition à court terme = 15 minutes)**

CO	CO <sub>2</sub>	NO <sub>2</sub>
100 ppm	15000 ppm (WSBC)	1.0 ppm (WSBC)
CO <td>CO<sub>2</sub> <td>NO<sub>2</sub> </td></td>	CO <sub>2</sub> <td>NO<sub>2</sub> </td>	NO <sub>2</sub>
N/A	N/A	5.0 ppm (Reg 833)

Canada Moyenne pondérée dans le temps sur 8 heures, directives de WorkSafe BC en matière de santé et de sécurité au travail, partie 5.1, et lieu de travail de l'Ontario relatif au lieu de travail 833

Canada STEL (15 minutes, Reg. 833/1 heure, WSBC), Directives sur la santé et la sécurité au travail de la Colombie-Britannique, partie 5.1, et Règlementation sur le lieu de travail de l'Ontario 833

CO  
CO<sub>2</sub>  
NO<sub>2</sub>

100 ppm	15000 ppm (WSBC)	1.0 ppm (WSBC)
CO <td>CO<sub>2</sub> <td>NO<sub>2</sub> </td></td>	CO <sub>2</sub> <td>NO<sub>2</sub> </td>	NO <sub>2</sub>
N/A	N/A	5.0 ppm (Reg 833)

5 ppm







**AVERTISSEMENT : RISQUE DE CHOC ELECTRIQUE**



- L'ÉQUIPEMENT DOIT ÊTRE MIS À LA TERRE.
- Utilisez uniquement la tension d'alimentation spécifiée pour ce radiateur. Veuillez vous reporter à la plaque signalétique du modèle sur le radiateur.
- Utilisez une prise mise à la terre à trois volets et une rallonge.
- Installez TOUJOURS le radiateur de sorte qu'il ne soit pas exposé à de l'eau vaporisée, à la pluie, à de l'égouttement et au vent.
- TOUJOURS débrancher ce radiateur de la source d'alimentation lorsque vous ne l'utilisez pas.

**AVERTISSEMENT :**



- Ne JAMAIS bloquer l'entrée (arrière) ou la sortie d'air (avant).
- Ne JAMAIS attacher des conduits à l'avant ou à l'arrière du radiateur.

**AVERTISSEMENT :**



Ne pas manipuler le radiateur. Demandez à un électricien ou technicien compétent d'effectuer tous les réglages et réparations nécessaires.

**AVERTISSEMENT :**



- NE PAS DÉMARRER LE RADIATEUR LORSQUE LA CHAMBRE EST CHAUDE.
- NE PAS DÉMARRER LE RADIATEUR LORSQUE TROP DE CARBURANT S'EST ACCUMULÉ DANS LA CHAMBRE.
- N'EST PAS DESTINÉ À UNE UTILISATION AVEC UN RÉSERVOIR À CARBURANT EXTERNE.
- N'UTILISEZ PAS D'ESSENCE OU D'HUILE À VIDANGE POUR CARTER, DE NAPhte OU DE CARBURANTS VOLATILS.
- NE PAS REMPLIR LE RÉSERVOIR LORSQUE L'UNITÉ EST EN COURS D'UTILISATION.
- POUR UNE UTILISATION SUR DES PLANCHERS NON COMBUSTIBLES AVEC DES DÉGAGEMENTS MINIMAUX AUTOUR DES MATÉRIAUX COMBUSTIBLES.
- CHAUD LORSQU'IL FONCTIONNE. NE PAS TOUCHER.
- TENIR LES ENFANTS, VÊTEMENTS, ANIMAUX DOMESTIQUES ET MATÉRIAUX COMBUSTIBLES ÉLOIGNÉS DU RADIATEUR.
- NE JAMAIS ORIENTER LE RADIATEUR VERS UNE BOUTEILLE DE PROPANE.
- MAINTENIR LE STOCKAGE DU CARBURANT EN GROS À UNE DISTANCE MINIMALE DE 25 PIEDS (8 MÈTRES) DU RADIATEUR.
- CONSERVEZ LE CARBURANT CONFORMÉMENT AUX AUTORITÉS FÉDÉRALES, ÉTATIQUES/PROVINCIALES ET/OU LOCALES.
- TOUJOURS REMPLIR LE RADIATEUR À L'EXTÉRIEUR ET TENIR ÉLOIGNÉ DES FLAMMES NUES.
- L'ÉQUIPEMENT DOIT ÊTRE MIS À LA TERRE.
- NE JAMAIS MANIPULER LE RADIATEUR LORSQU'IL EST CHAUD.
- NE JAMAIS TRANSPORTER CE RADIATEUR LORSQU'IL CONTIENT DU CARBURANT DANS SON RÉSERVOIR.
- LE RADIATEUR POURRAIT REDÉMARRER À TOUT INSTANT LORSQU'IL EST UTILISÉ OU ÉQUIPÉ D'UN THERMOSTAT OPTIONNEL.
- TOUJOURS PLACER CE RADIATEUR SUR UNE SURFACE STABLE ET AU NIVEAU.
- LAISSEZ LE RÉFLECTEUR SE REFFROIDIR AVANT DE LE MANIPULER OU DE LE TRANSPORTER.
- AVANT DE DÉPLACER LE RADIATEUR, VEUILLEZ ATTENDRE QUE LE RADIATEUR AIT COMPLÈTEMENT REFFROIDI ET ASSUREZ-VOUS QUE LE BOUCHON DU RÉSERVOIR EST COMPLÈTEMENT ET ÉTROITEMENT FERMÉ.

**AVERTISSEMENT : Ne laissez jamais ce radiateur sans surveillance lorsqu'il fonctionne. Toujours débrancher ce radiateur lorsque vous ne l'utilisez pas.**



Résidents de la Ville de New York, État de New York :  
Le Code d'incendie de New York interdit le stockage, la manipulation et l'utilisation de radiateurs alimentés au kérosène pour le chauffage des espaces. Toute personne entreprenant cette disposition risque de recevoir une amende pouvant atteindre 10 000 \$ ainsi qu'une peine d'emprisonnement pouvant aller jusqu'à 6 mois.

Résidents du Massachusetts :  
La loi de l'État du Massachusetts interdit l'utilisation de ce radiateur dans un bâtiment utilisé totalement ou partiellement pour l'habitation humaine. L'utilisation de cet appareil exige un permis du service local d'incendies (M.G.L.C. 148, Rubrique 10A)

- Utilisez ce radiateur uniquement dans des endroits bien ventilés! Offrez au moins une ouverture de trois pieds carrés (2 800 cm<sup>2</sup>) d'air extérieur pour chaque mesure de 45 000 BTU/heure du taux de combustion du radiateur.
- Les gens souffrant de problèmes respiratoires doivent consulter un médecin avant d'utiliser ce radiateur.
- Des signes précoces d'empoisonnement au monoxyde de carbone ressemblent à des symptômes typiques de la grippe, comme des maux de tête, des étourdissements ou de la nausée. Si vous éprouvez ces symptômes, votre

**AVERTISSEMENT : RISQUE D'EMPOISONNEMENT AU MONOXYDE DE CARBONE**

- Sortez immédiatement à l'air frais! Faites vérifier votre radiateur.
- Certaines personnes peuvent être davantage affectées par le monoxyde de carbone. Ces personnes incluent les femmes enceintes, les personnes avec des problèmes cardiaques ou pulmonaires, les personnes souffrant d'anémie ou celles étant sous influence d'alcool, ou se trouvant à haute altitude.
- Ne jamais utiliser ce radiateur dans les chambres à coucher.

**AVERTISSEMENT : N'EST PAS DESTINÉ À UN USAGE À DOMICILE OU DANS LES VÉHICULES RÉCRÉATIFS.**

**AVERTISSEMENT :**  
RISQUE D'INCENDIE, DE BRÛLURE, D'INHALATION ET D'EXPLOSION. ÉLOIGNEZ LES COMBUSTIBLES SOLIDES, COMME LES MATÉRIAUX DE CONSTRUCTION, LE PAPIER OU LE CARTON, À UNE DISTANCE SÉCURITAIRE DE CE RADIATEUR, TEL QUE RECOMMANDÉ DANS LES INSTRUCTIONS.  
N'UTILISEZ JAMAIS CE RADIATEUR DANS DES ESPACES CONTENANT OU POUVANT CONTENIR DES MATIÈRES INFLAMMABLES EN SUSPENSION DANS L'AIR OU VOLATILES, OU DES PRODUITS COMME DE L'ESSENCE, DES SOLVANTS, DU DILUANT DE PEINTURE, DES PARTICULES DE POUSSIÈRE OU DES PRODUITS CHIMIQUES INCONNUS.

**AVERTISSEMENT DE RISQUE GÉNÉRAL**  
LE NON-RESPECT DES PRÉCAUTIONS ET DES INSTRUCTIONS FOURNIES AVEC CE RADIATEUR PEUT ENTRAÎNER LA MORT, DES BLESSURES GRAVES, DES PERTES OU DOMMAGES MATÉRIELS CAUSÉS PAR LES RISQUES D'INCENDIE, D'EXPLOSION, DE BRÛLURE, D'ASPHYXIE, D'INTOXICATION, D'EMPOISONNEMENT AU MONOXYDE DE CARBONE ET/OU DE CHOC ÉLECTRIQUE.  
SEULES LES PERSONNES QUI PEUVENT COMPRENDRE ET RESPECTER CES INSTRUCTIONS DOIVENT UTILISER OU ENTREtenir CE RADIATEUR.  
SI VOUS AVEZ BESOIN D'AIDE OU D'INFORMATIONS SUR LE RADIATEUR COMME LE MANUEL D'INSTRUCTION, LES ÉTIQUETTES, ETC. VEUILLEZ CONTACTER LE FABRICANT.

- DANGER** indique une situation dangereuse imminente qui, si elle n'est pas évitée, entraînera la mort ou des blessures graves.
- AVERTISSEMENT** indique une situation dangereuse, qui, si elle n'est pas évitée, pourrait causer la mort ou des blessures graves.
- ATTENTION** indique une situation dangereuse, qui, si elle n'est pas évitée, pourrait causer des blessures mineures ou modérées.
- AVIS** indique des pratiques sans rapport avec les blessures corporelles qui, si elles ne sont pas résolues, pourraient entraîner des dommages matériels.

# HEATFAST®

## Chauffage De Construction À Air Forcé Au Mazout

HF45K / HF75K / HF125K / HF175K / HF215K



### VEUILLEZ LIRE CES INSTRUCTIONS ET LES CONSERVER

Veillez lire soigneusement et comprendre ces consignes avant d'assembler, d'utiliser ou d'effectuer l'entretien de ce radiateur. Vous risqueriez de vous blesser ou de blesser autrui si vous ne suivez pas ces consignes. Ce manuel de l'utilisateur a été conçu afin de vous instruire sur la manière correcte d'assembler, d'entretenir, d'entreposer et de faire fonctionner ce radiateur de manière sécuritaire et efficace. Ne laissez pas une personne qui n'a pas lu ces instructions assembler, allumer, ajuster ou faire fonctionner le radiateur.

#### RÉSIDENTS CANADIENS

CE RADIATEUR DOIT ÊTRE UTILISÉ CONFORMÉMENT AUX RÉGLEMENTATIONS DÉCRITES PAR LES AUTORITÉS AYANT JURIDICTION ET PAR LA NORME CSA B139.

#### RÉSIDENTS DES É-U :

L'INSTALLATION DE CE RADIATEUR DOIT ÊTRE FAITE SELON LES RÉGLEMENTATIONS DÉCRITES PAR LES AUTORITÉS AYANT JURIDICTION ET PAR LE NFPA 31.

Il s'agit d'un appareil de chauffage à mazout sans ventilation destiné au chauffage des bâtiments en construction et au chauffage temporaire des bâtiments achevés lorsque les produits de combustion sont évacués à l'extérieur.

### PROPOSITION 65 DE LA CALIFORNIE AVERTISSEMENT:

Ce produit peut vous exposer à des produits chimiques, y compris le monoxyde de carbone, qui est connu dans l'État de Californie pour causer le cancer, des malformations congénitales et/ou d'autres problèmes de reproduction. Pour plus d'informations, visitez [www.P65warnings.ca.gov](http://www.P65warnings.ca.gov)



CET APPAREIL DE CHAUFFAGE EST CONÇU ET PRÉVU POUR LE CHAUFFAGE SPATIAL DES BÂTIMENTS EN CONSTRUCTION ET POUR LE CHAUFFAGE DES EMPLACEMENTS LORSQUE LES PRODUITS DE COMBUSTION SONT DÉCHARGÉS À LAIR.

Ne pas utiliser dans les espaces de vie • Convient pour une utilisation en extérieur



A Subsidiary of U.S. Stove Company  
227 Industrial Dr., South Pittsburg, TN  
PH: (423) 837-5155  
[www.powerfastproducts.com](http://www.powerfastproducts.com)

