




**BILLY GOAT BCR3626BVECE  
RIDE ON BRUSH CUTTER  
2691744-00**




REV	CHANGES:	BY	DOC NO.	DATE	DO NOT SCALE DRAWING	DIMENSIONING AND TOLERANCING PER ASME Y14.5-2009	 <b>BRIGGS &amp; STRATTON CORP.</b>					
-	INITIAL RELEASE	MAD	ECN060896	08/15/19	THIS DOCUMENT IS PROPRIETARY PROPERTY OF BRIGGS & STRATTON CORPORATION DISCLOSED IN CONFIDENCE, WHICH MAY NOT BE USED OR DISCLOSED WITHOUT PERMISSION. RETURN PROMPTLY AFTER USE. UNCONTROLLED DOCUMENT WHEN PRINTED.	CLASSIFICATION OF CHARACTERISTICS  CRITICAL (C): MAJOR (M):	<b>TITLE:</b> BCR3626BVECE		<b>2691744-00</b>	REV.		
							<b>MATERIAL:</b> SEE NOTES			<b>-</b>	<b>-</b>	
							<b>SIMILAR TO:</b> -	<b>8/15/19</b>				<b>-</b>
							<b>DRW:</b> MAD					
								<b>APP:</b> -	<b>SHEET 1 OF 39</b>			

	Unit of Measure	
<b>SAP Material Part Number:</b>		2691744-00
<b>SAP Description:</b>		BCR3626BVECE
<b>Basic Description</b>		
Customer Model Number		GC92
Material Group		
Category Hierarchy		TAC COM CHOR BRUS RIDE
Sales org		
Region(s) of Sale		EMEA
EAN / UPC Number		47282813010
URL		https://www.billygoat.com/eu
Consumer Contact Phone Number		
Country of Origin		CZ
<b>Certification</b>		
Unit Compliance (ANSI, CE, UL, CSE, etc)		CE
Emissions Compliance		Stage V EU 2016/1628
Carb		No
<b>Warranty:</b>		
Consumer Warranty (Product / Engine)		
Commercial Warranty (Product / Engine)		
<b>Technical Publications</b>		
Operators Manual		Yes
IPL & Electrical Schematic		Yes
Setup Instruction		Yes
Languages Required		CZ, EN, DE, FR, IT, NL, ES, PL, RU
<b>DOC</b>		
Engine gross pwr	kW / rpm	19.4 / 3600
Engine net pwr	kW / rpm	16.8 / 3100
Mass (Weight Empty)	kg	403
Sound Op Ear (Sound Pressure)	LpA	87+1 dB
Guarantee Sound Pwr (Sound Power)	LwA	99 dB
Speed Rotation (Unit Speed)	RPM	3100
Hand/arm rotation (vib@str whl)	Vib@whl	< 2,5 m.s-2
Vibration @ seat (vib@seat)	Vib@seat	1,3+0,5 m.s-2
Vibration @ foot (vib@foot)	Vib@foot	-
Width of Cut	cm	92
Measured sound pwr	dB (A)	98,68 dB

	Unit of Measure	
<b>Engine</b>		
Brand		Briggs & Stratton
Model		49E7
Engine MTT		49E777S01472 – Vertical Shaft
Engine RPM (MAX)	RPM	3100
Engine Displacement	cc	810
Engine Cylinder Configuration		V-twin
Oil Drain		Flex Hose
Engine Features		EFI
Electrical System		12V - 20A
Static Screen		Yes
<b>Rear Axle Specs</b>		
Brand		Tuff Torq
Model		K664E
Drive Type		Hydro
Input sheave dia	mm	101
Gear reduction ratio		33.5
Hydraulic logic		AFA
Aux. hydro 4.5MPaX4cc/rev		Yes
Differential		Yes
ACT		No
Diff Lock		Yes
Ground Speed: Fwd	km/hr	9.5
Ground Speed: Rev	km/hr	7.5
Transmission Belt		13x830 LP Optibelt
Oil Fill Proposal		5W-50 full synthetic oil
Oil Cooler		ASA Hydraulik TT02 (0.07 kW)
<b>Front Axle Specs</b>		
Brand		Tuff Torq
Model		KXH 10N
Drive Type		Hydro
Displacement	cc	10
Oscillation angle		7
Dia of drag rod	mm	16
Power steering		No
Oil Fill Proposal		5W-50 full synthetic oil
<b>Chassis</b>		
Suspension		No
Steering		Gear / Sector
Steering Wheel		Cobo PP031 (315 mm)
Front Axle		see front axle specs
Front Wheel Bearing		see front axle specs


## SPEC. LIST PAGE 1

REV	CHANGES:	BY	DOC NO.	DATE	DO NOT SCALE DRAWING	DIMENSIONING AND TOLERANCING PER ASME Y14.5-2009	 BRIGGS & STRATTON CORP.		
-	INITIAL RELEASE	MAD	ECN060896	08/15/19	THIS DOCUMENT IS PROPRIETARY PROPERTY OF BRIGGS & STRATTON CORPORATION DISCLOSED IN CONFIDENCE, WHICH MAY NOT BE USED OR DISCLOSED WITHOUT PERMISSION. RETURN PROMPTLY AFTER USE. UNCONTROLLED DOCUMENT WHEN PRINTED.	CLASSIFICATION OF CHARACTERISTICS	TITLE: BCR3626BVECE		
							MATERIAL: SEE NOTES		
							SIMILAR TO: -	2691744-00	REV. -
							DRW: MAD 8/15/19		
							CRITICAL (C):	APP: -	SHEET 2 OF 39
					MAJOR (M):				

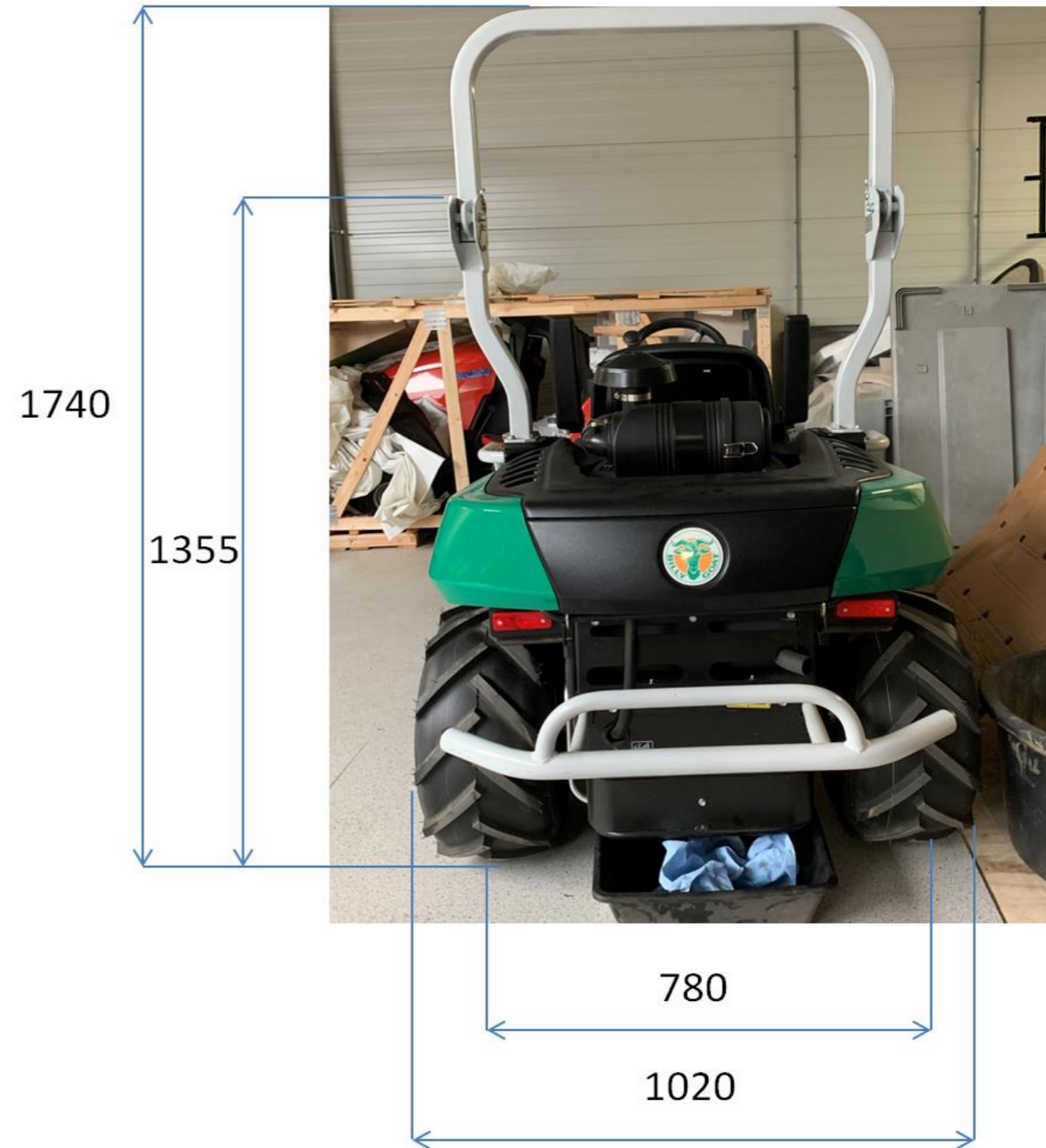
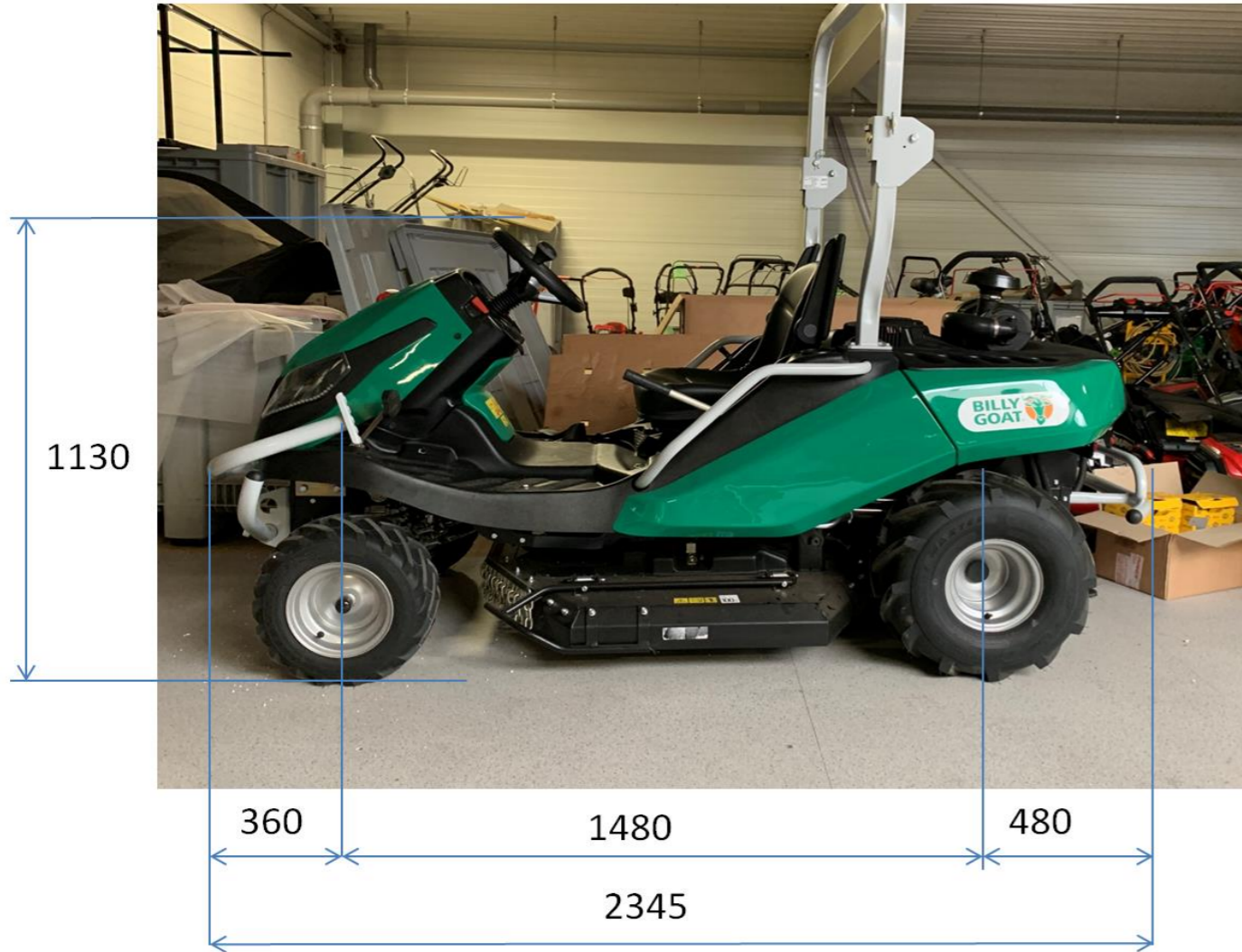
	Unit of Measure	
<b>Mower</b>		
Mower Configuration		Rear Discharge
Width of Cut	inch/cm	92
Deck Construction		Fabricated
# of Blades		1
Mower Bag Capacity		na
Cutting Height	mm	50-135, 160 is transport
Height-of-cut positions		5 positions, 6 is transport
Height-of-cut adjustment		Manual
Deck Suspension		Frame Hung
Deck Support Wheels		No
Number of Deck Support Wheels		-
Deck Thickness	mm	3
Spindles		Steel
Washout Port		No
Mulch Kit/Plug Included		na
Mower Deck Belt		17x1732 LP Optibelt
<b>Features</b>		
Battery Capacity		U1R-12
Seat Type		Cobo GT-75 E8096.039.100
Seat Adjustment		5
Seat Armrest		Yes
Fuel tank Capacity / Position	L	16
Headlights		Yes
Footpads		sand paper
Front Bumper		Yes
Cargo Bed		na
Turning Radius	mm	1280
Rear wheel internal radius	mm	750
Wheel Base	mm	1485
Max inclination		22
Cup holder / Position		left pod
<b>Tires</b>		
Front Size	inch	16x6.50-8
Type		Agricultural
Rear Size	inch	20x10.00-8
Type		Agricultural


	Unit of Measure	
<b>Controls/Instuments</b>		
Speed Control Fwd/Rev		Seperate Foot Pedals
Mower Deck Lift		Mechanical
Cruise Control		Yes
Blade Engagement		Electric
Starter Type		Key
Throttle		Single lever
Fuel Gauge type & Location		Lever in tank lid, reserve light in dash
Hour meter		Yes, in dash
Clock		No
Maintenance Monitor		No
Light Switch		In key switch
RMO Switch		Yes
Parking Brake Location		Dash
<b>Dimensions:</b>		
Assembled Dimensions (Length x Width (deflector down) x Height)	mm	2350x1040x1740
Assembled Weight	kg	403
Packaged Dimensions (Length x Width x Height)	in.	92,5x52,8x47,8
Packaged Dimensions (Length x Width x Height)	mm	2350x1340x1215
Packaged Weight	kg	480.00
<b>Container Type</b>		
Container Loading (floor loaded)		TBD
Container load (quantity on pallets)		TBD
Truck Load (pallets)		TBD
Truck load (quantity on pallets)		TBD
Truck load (floor) Standard Truck		TBD
Truck load (pallet) Mega Truck		TBD

## SPEC. LIST PAGE 2

REV	CHANGES:	BY	DOC NO.	DATE	DO NOT SCALE DRAWING	DIMENSIONING AND TOLERANCING PER ASME Y14.5-2009	 <b>BRIGGS &amp; STRATTON CORP.</b>		
-	INITIAL RELEASE	MAD	ECN060896	08/15/19	THIS DOCUMENT IS PROPRIETARY PROPERTY OF BRIGGS & STRATTON CORPORATION DISCLOSED IN CONFIDENCE, WHICH MAY NOT BE USED OR DISCLOSED WITHOUT PERMISSION. RETURN PROMPTLY AFTER USE. UNCONTROLLED DOCUMENT WHEN PRINTED.	CLASSIFICATION OF CHARACTERISTICS  CRITICAL (C): MAJOR (M):	<b>TITLE:</b> BCR3626BVECE		
							<b>MATERIAL:</b> SEE NOTES		
							<b>SIMILAR TO:</b> -	<b>2691744-00</b>	REV. -
							<b>DRW:</b> MAD 8/15/19		
							<b>APP:</b> - -		


# OUTSIDE DIMENSIONS

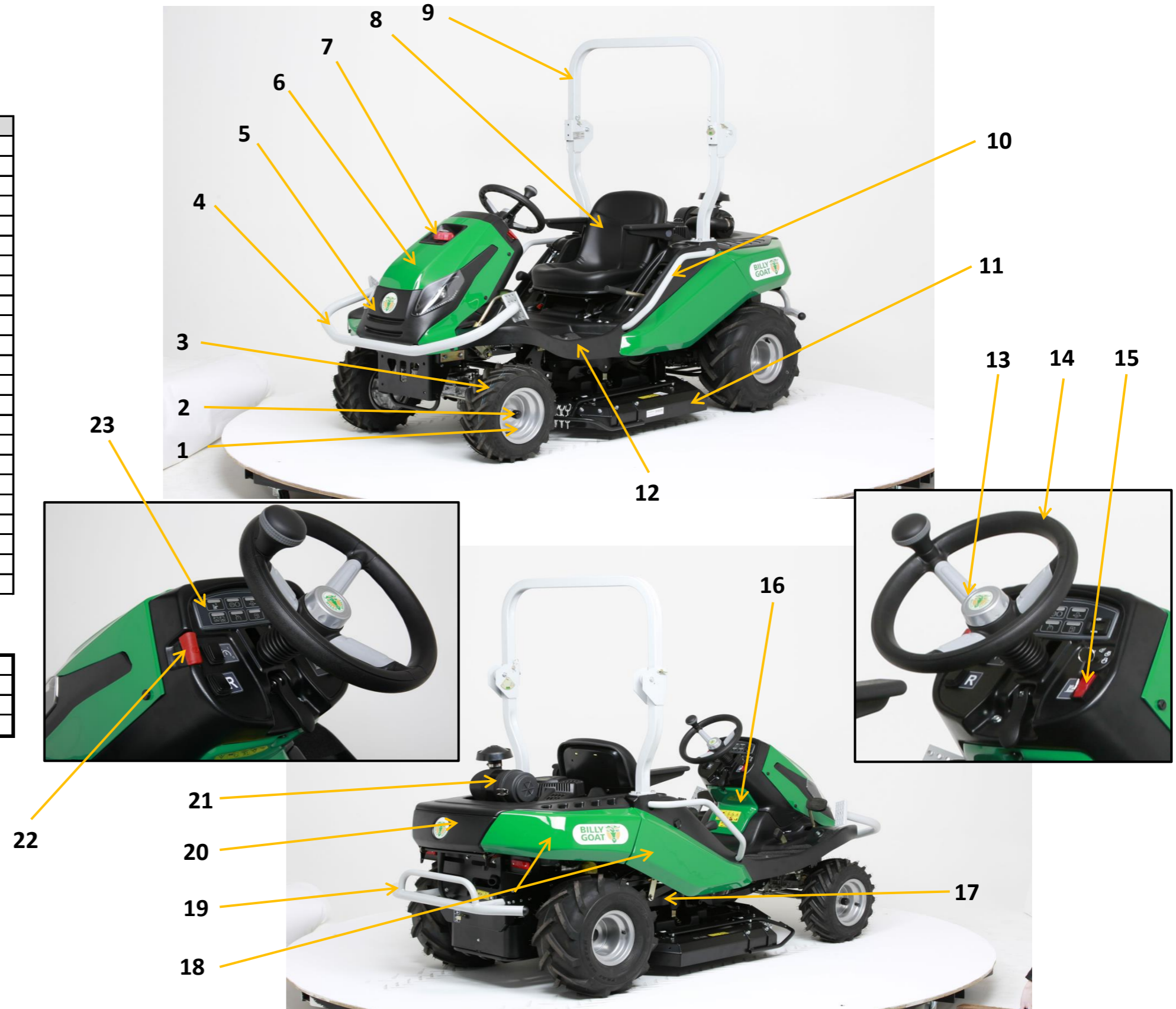



REV	CHANGES:	BY	DOC NO.	DATE	DO NOT SCALE DRAWING	DIMENSIONING AND TOLERANCING PER ASME Y14.5-2009	 BRIGGS & STRATTON CORP.					
-	INITIAL RELEASE	MAD	ECN060896	08/15/19	THIS DOCUMENT IS PROPRIETARY PROPERTY OF BRIGGS & STRATTON CORPORATION DISCLOSED IN CONFIDENCE, WHICH MAY NOT BE USED OR DISCLOSED WITHOUT PERMISSION. RETURN PROMPTLY AFTER USE. UNCONTROLLED DOCUMENT WHEN PRINTED.	CLASSIFICATION OF CHARACTERISTICS  CRITICAL (C): MAJOR (M):	TITLE: BCR3626BVECE		<b>2691744-00</b>	REV.		
							MATERIAL: SEE NOTES			-		
							SIMILAR TO:	-				
							DRW:	MAD 8/15/19				
							APP:	-	SHEET 4 OF 39	-		

# COLORS

Nr.	Part	Color
1	WHEELS	SILVER
2	WHEEL CAPS	BLACK
3	TIRES	BLACK
4	BUMPER FRONT	RAL9006
5	HOOD FRONT INSERT	BLACK
6	HOOD FRONT	RAL6032
7	TANK CAP WITH FUEL GAUGE	RED
8	SEAT	BLACK
9	ROPS	RAL9006
10	SIDE HANDLES	RAL9006
11	MOWERDECK	BLACK
12	FOOT PANEL	BLACK
13	STEERING WHEEL COVERS	SILVER
14	STEERING WHEEL	BLACK
15	MOWING ENGAGEMENT SWITCH	RED
16	BATTERY COVER	RAL6032
17	CHASSIS	BLACK
18	SIDE PANELS	RAL6032
19	BUMPER REAR	RAL9006
20	ENGINE COVER	BLACK
21	FILTER HOUSING	BLACK
22	PARKING BRAKE CONTROLLER	RED
23	DASH PANEL	BLACK

	BILLY GOAT GREEN	RAL6032
	SECO BLACK	BLACK
	SECO SILVER	RAL9006
	SECO RED	RED



REV	CHANGES:	BY	DOC NO.	DATE	DO NOT SCALE DRAWING	DIMENSIONING AND TOLERANCING PER ASME Y14.5-2009	 BRIGGS & STRATTON CORP.		
-	INITIAL RELEASE	MAD	ECN060896	08/15/19	THIS DOCUMENT IS PROPRIETARY PROPERTY OF BRIGGS & STRATTON CORPORATION DISCLOSED IN CONFIDENCE, WHICH MAY NOT BE USED OR DISCLOSED WITHOUT PERMISSION. RETURN PROMPTLY AFTER USE. UNCONTROLLED DOCUMENT WHEN PRINTED.	CLASSIFICATION OF CHARACTERISTICS  CRITICAL (C): MAJOR (M):	TITLE: BCR3626BVECE		REV. -
							MATERIAL: SEE NOTES		
							SIMILAR TO: -	<b>2691744-00</b>	
							DRW: MAD 8/15/19		
						APP: -	SHEET 5 OF 39		

# DECALS



NOTE: images are for reference only. Actual decals, with part numbers and locations are listed on sheet 32 and 33

REV	CHANGES:	BY	DOC NO.	DATE	DO NOT SCALE DRAWING	DIMENSIONING AND TOLERANCING PER ASME Y14.5-2009	BRIGGS & STRATTON		BRIGGS & STRATTON CORP.
-	INITIAL RELEASE	MAD	ECN060896	08/15/19	THIS DOCUMENT IS PROPRIETARY PROPERTY OF BRIGGS & STRATTON CORPORATION DISCLOSED IN CONFIDENCE, WHICH MAY NOT BE USED OR DISCLOSED WITHOUT PERMISSION. RETURN PROMPTLY AFTER USE. UNCONTROLLED DOCUMENT WHEN PRINTED.	CLASSIFICATION OF CHARACTERISTICS CRITICAL (C): MAJOR (M):	TITLE: BCR3626BVECE		REV. -
							MATERIAL: SEE NOTES		
							SIMILAR TO: -	2691744-00	
							DRW: MAD 8/15/19		
							APP: -		

# PRODUCT LABELS

FOR TYPES: GC 92, GC 110, GC 132  
self-propelled mower  
MANUFACTURER: Seco Industries, s.r.o.  
Podnikatelská 552  
Bechovice  
190 11 Praha 9  
Czech Republic  
REFERENCE WEIGHT: 440 kg  
ENERGY-ABSORBING ROPS  
CONFORMITY WITH: ISO 21299:2009



MADE IN EUROPE

TYPE N°: GC 92 (BCR3626BVECE)  
self-propelled mower  
KW - min - 1  
ENGINE: B&S VANGUARD 26HP EFI  
YEAR OF PRODUCTION: 2019  
WEIGHT: kg  
FABRICATION: Seco Industries, s.r.o.  
Podnikatelská 552, Bechovice  
190 11 Praha 9 Czech Republic  
SERIAL NO.: 409012527



MADE IN EUROPE



# PACKAGING LABELS



GC92 BCR3626BVECE mower	GC92 BCR3626BVECE mower
<b>2691744</b>	<b>2691744</b>
<b>409012513</b>	<b>409012513</b>
Assembled in Czech Republic	Assembled in Czech Republic

NOTE: images are for reference only, actual names and numbers are listed in the specifications

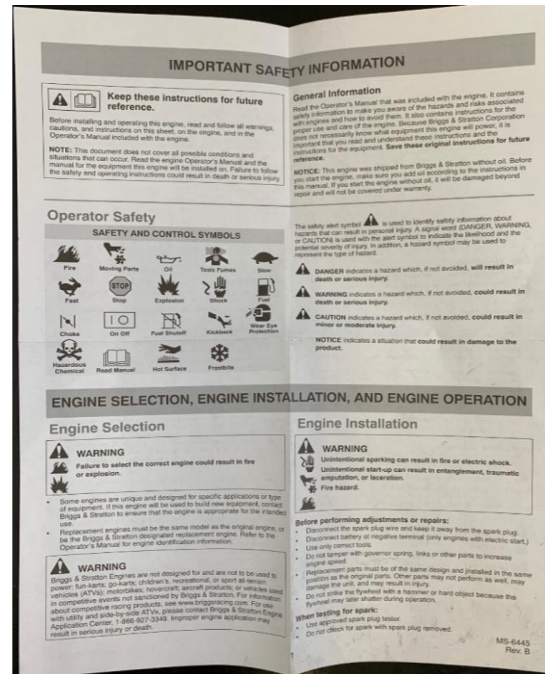
REV	CHANGES:	BY	DOC NO.	DATE	DO NOT SCALE DRAWING	DIMENSIONING AND TOLERANCING PER ASME Y14.5-2009	BRIGGS & STRATTON CORP.		
-	INITIAL RELEASE	MAD	ECN060896	08/15/19	THIS DOCUMENT IS PROPRIETARY PROPERTY OF BRIGGS & STRATTON CORPORATION DISCLOSED IN CONFIDENCE, WHICH MAY NOT BE USED OR DISCLOSED WITHOUT PERMISSION. RETURN PROMPTLY AFTER USE. UNCONTROLLED DOCUMENT WHEN PRINTED.	CLASSIFICATION OF CHARACTERISTICS  CRITICAL (C): MAJOR (M):	TITLE: BCR3626BVECE		REV. -
							MATERIAL: SEE NOTES		
							SIMILAR TO: -	<b>2691744-00</b>	
							DRW: MAD 8/15/19		
							APP: - -		

# Documentation

Documentation supplied with unit:



Engine manual: 80078143 rev A



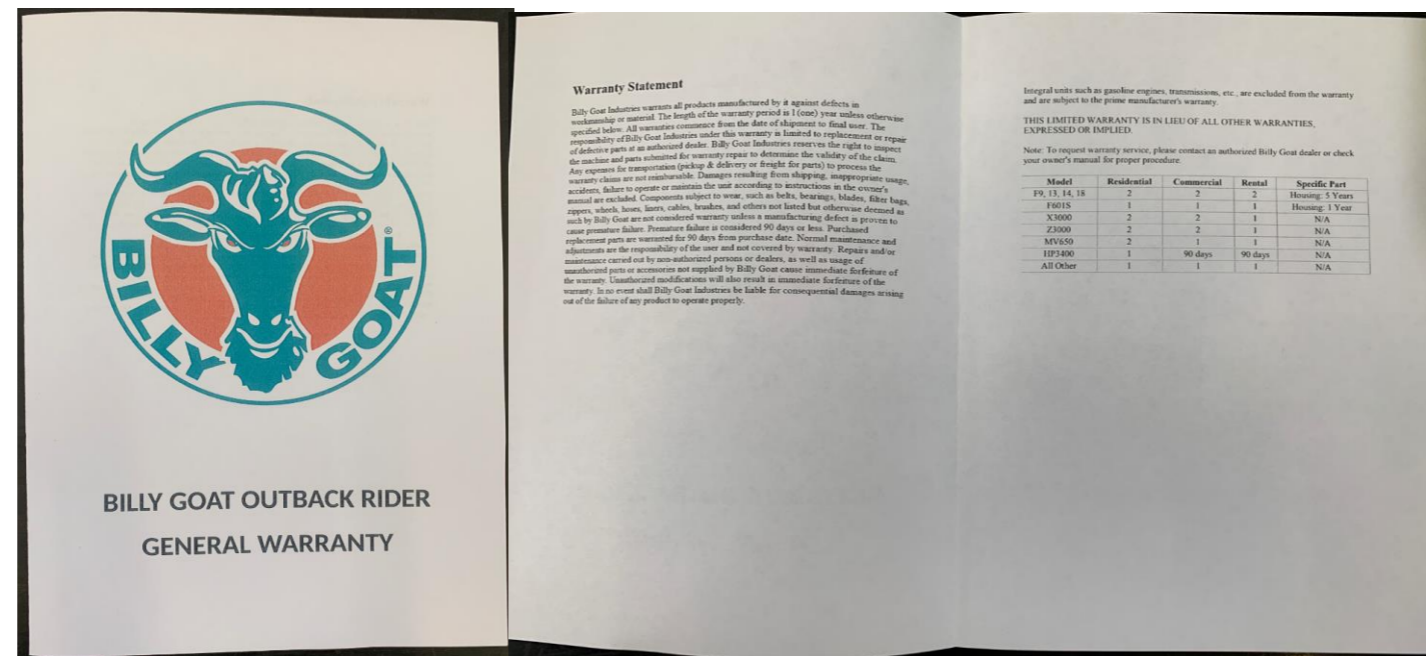
Safety information sheet: MS-6445 rev B



Instructions manual oil cooler: DMASA



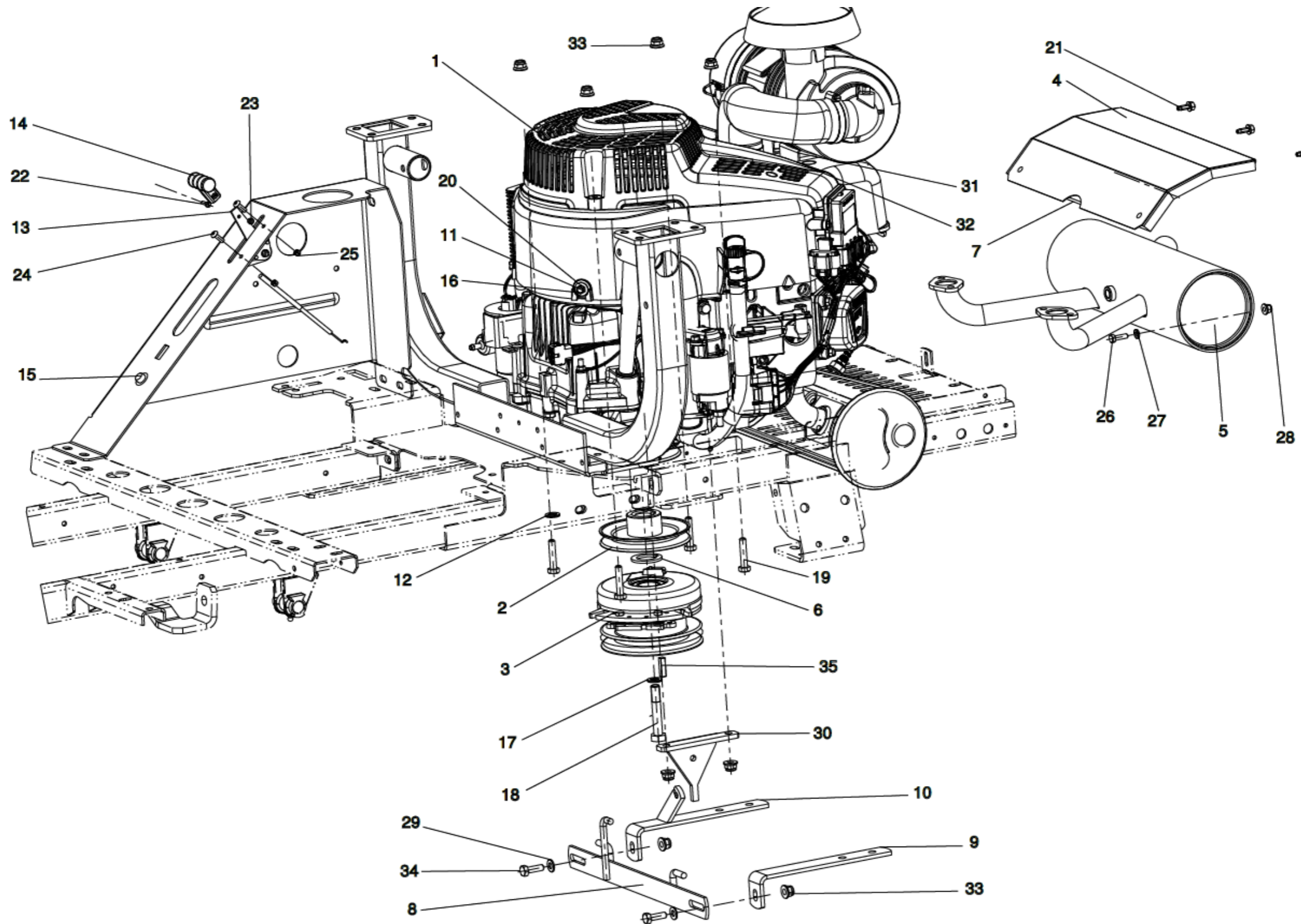
Owner's Manual




Billy Goat warranty document

note: images are for reference only.

REV	CHANGES:	BY	DOC NO.	DATE	DO NOT SCALE DRAWING	DIMENSIONING AND TOLERANCING PER ASME Y14.5-2009	BRIGGS & STRATTON CORP.		
-	INITIAL RELEASE	MAD	ECN060896	08/15/19	THIS DOCUMENT IS PROPRIETARY PROPERTY OF BRIGGS & STRATTON CORPORATION DISCLOSED IN CONFIDENCE, WHICH MAY NOT BE USED OR DISCLOSED WITHOUT PERMISSION. RETURN PROMPTLY AFTER USE. UNCONTROLLED DOCUMENT WHEN PRINTED.	CLASSIFICATION OF CHARACTERISTICS CRITICAL (C): MAJOR (M):	TITLE: BCR3626BEVE		
							MATERIAL: SEE NOTES		
							SIMILAR TO: -	2691744-00	REV. -
							DRW: MAD 8/15/19		SHEET 8 OF 39
						APP: -			



FOR BOM SEE NEXT SHEET  
**KGC01-19-0001**

REV	CHANGES:	BY	DOC NO.	DATE	DO NOT SCALE DRAWING	DIMENSIONING AND TOLERANCING PER ASME Y14.5-2009	 <b>BRIGGS &amp; STRATTON CORP.</b>		
-	INITIAL RELEASE	MAD	ECN060896	08/15/19	THIS DOCUMENT IS PROPRIETARY PROPERTY OF BRIGGS & STRATTON CORPORATION DISCLOSED IN CONFIDENCE, WHICH MAY NOT BE USED OR DISCLOSED WITHOUT PERMISSION. RETURN PROMPTLY AFTER USE. UNCONTROLLED DOCUMENT WHEN PRINTED.	CLASSIFICATION OF CHARACTERISTICS  CRITICAL (C): MAJOR (M):	<b>TITLE:</b> BCR3626BVECE		
							<b>MATERIAL:</b> SEE NOTES		
							<b>SIMILAR TO:</b> -	<b>2691744-00</b>	<b>REV.</b> -
							<b>DRW:</b> MAD 8/15/19		
							<b>APP:</b> - -		

Katalog : KGC2A-19-0001  
 Skupina : KGC01-19-0001

Motor 26HP Vanguard V-TwinEFI49E7

Engine 26HP Vanguard V-TwinEFI49E

Motor 26HP Vanguard V-TwinEFI49E7

Pos.	qty	Item number SECO	Item number B&S	Popis	Description	Beschreibung
1	1	N482349042	49E777S01472	MOTOR 26 HP VANGUARD V-TWIN EFI		
2	1	N532151333		ŘEMENICE MOTORU 9-3325-294 "A"118	Engine pulley 9-3325-294 "A"118	Motorriemenscheibe 9-3325-294"A"1
3	1	N339242010		SPOJKA ELEKTROMAG.WARNER IXR12441	Elmag. clutch Warner IXR12441	Elmag. Kupplung Warner IXR12441
4	1	S532085412123		KRYT VÝFUKU		
5	1	S532927472053		VÝFUK EFI		
6	1	S532092202293		PODLOŽKA		
7	1	N273222002		IZOLACE VÝFUKU 0-8530-211 EFI		
8	1	S532913369693		OMEZOVAČ ÚPLNÝ	Limiter compl.	Begrenzer voll.
9	1	S532092402593		PODLOŽKA	Washer	Scheibe
10	1	S532992462033		PODLOŽKA ÚPLNÁ	Washer compl.	Scheibe kompl.
11	1	N311122501	n.a.	MATICE W 1/4"-20 UNC ZINK.	Nut W1/4-20 Unc Zinc.	Mutter W 1/4"-20 UNC verzinkt
12	4	N311219523		PODLOŽKA 10 RIPP LOCK BN13291	WASHER 10 RIPP LOCK	Scheibe 10 RIPP LOCK
13	1	N443900144		PÁČKA PLYNU 9-8071-281 GC	Throttle lever 9-8071-281 GC	Gashebel 9-8071-281 GC
14	1	N443900138		PÁČKA PLYNU 0-8060-239 ČERNÁ	Throttle lever 0-8060-239	Gashebel 0-8060-239
15	1	N321841082		ZÁSLEPKA BS 11/15 - ČERNÁ	Blind flange BS 11/15 black	Blindverschluss BS 11/15 - schwar
16	1	N311214501	n.a.	PODLOŽKA 6	Washer 6	Scheibe 6
17	1	N311219516		PODLOŽKA NL 11 LEPENA DACROMET	Washer NL 11 glued Dacromet	Scheibe NL 11 geklebt DACROM
18	1	N309578542		ŠROUB 7/16"-20X2.5 DIN 931	Screw 7/16"-20x2.5 DIN 931	Schraube 7/16"-20x2.5 DIN 931
19	4	N309503544		ŠROUB M 8X40	Screw M 8X40	Schraube M 8X40
20	1	N309578520	n.a.	ŠROUB M 8X16 DIN 7500D BN 3326	Screw M 8x16 DIN 7500 D BN3326	Schraube M 8x16DIN 7500D BN3326
21	3	N309578517	n.a.	ŠROUB M 6X16 DIN 7500D BN 3326	SCREW M 6X16 DIN 7500D BN 3326	Schraube M 6X16 DIN 7500D BN 3326
22	1	N309231535	n.a.	ŠROUB M 4X14 021131.25	Screw M 4X14 021131.25	Schraube M 4X14 021131.25
23	1	N311129514	n.a.	MATICE M 4	Nut M4	Mutter M 4
24	2	N309578532	n.a.	ŠROUB M 5X16 ISO 7380 8.8	Screw M 5x16 ISO 7380 8.8	Schraube M 5X16 ISO 7380 8.8
25	2	N311129524	n.a.	MATICE M 5 DIN 6926 ZINK	Nut M 5 DIN 6926 Zinc	Mutter M 5 DIN 6926 verzinkt
26	1	N309503548	n.a.	ŠROUB M 6X20	Screw M 6X20	Schraube M 6X20
27	1	N311210502	n.a.	PODLOŽKA 6.4	Washer 6.4	Scheibe 6.4
28	1	N311129517	n.a.	MATICE M 6 DIN 6923 8 ZIN OZUBENÁ	Nut M 6 DIN 6923 8 Zinc. toothed	Mutter M 6 DIN 6923 8 verzinkt ve
29	2	N311210503	n.a.	PODLOŽKA 8.4	Washer 8.4	Scheibe 8.4
30	1	S532013409173		ZARÁŽKA SPOJKY	Clutch stopper	Kupplungsanschlag
31	1	S532012412173		DRŽÁK NÁDRŽKY EFI	Tank holder EFI	Tankhalter EFI
32	2	N309578520	n.a.	ŠROUB M 8X16 DIN 7500D BN 3326	Screw M 8x16 DIN 7500 D BN3326	Schraube M 8x16DIN 7500D BN3326
33	8	N532150290	n.a.	MATICE M 8 DIN 6926 8 ZINK	Nut M 8 DIN 6926 8 Zinc	Mutter M 8 DIN 6926 8 verzinkt
34	4	N309503512	n.a.	ŠROUB M 8X25	Screw M 8X25	Schraube M 8X25
35	1	N311726101		PERO 0-9231-213	Key 0-9231-213	Stift 0-9231-213

FOR DRAWING SEE PREVIOUS SHEET

**KGC01-19-0001**

REV	CHANGES:	BY	DOC NO.	DATE	DO NOT SCALE DRAWING	DIMENSIONING AND TOLERANCING PER ASME Y14.5-2009	BRIGGS & STRATTON		BRIGGS & STRATTON CORP.	
-	INITIAL RELEASE	MAD	ECN060896	08/15/19	THIS DOCUMENT IS PROPRIETARY PROPERTY OF BRIGGS & STRATTON CORPORATION DISCLOSED IN CONFIDENCE, WHICH MAY NOT BE USED OR DISCLOSED WITHOUT PERMISSION. RETURN PROMPTLY AFTER USE. UNCONTROLLED DOCUMENT WHEN PRINTED.	CLASSIFICATION OF CHARACTERISTICS	TITLE: BCR3626BVECE		REV. -	
							MATERIAL: SEE NOTES			
							SIMILAR TO: -			
							CRITICAL (C):	DRW: MAD 8/15/19		2691744-00
							MAJOR (M):	APP: - -		
							SHEET 10 OF 39			

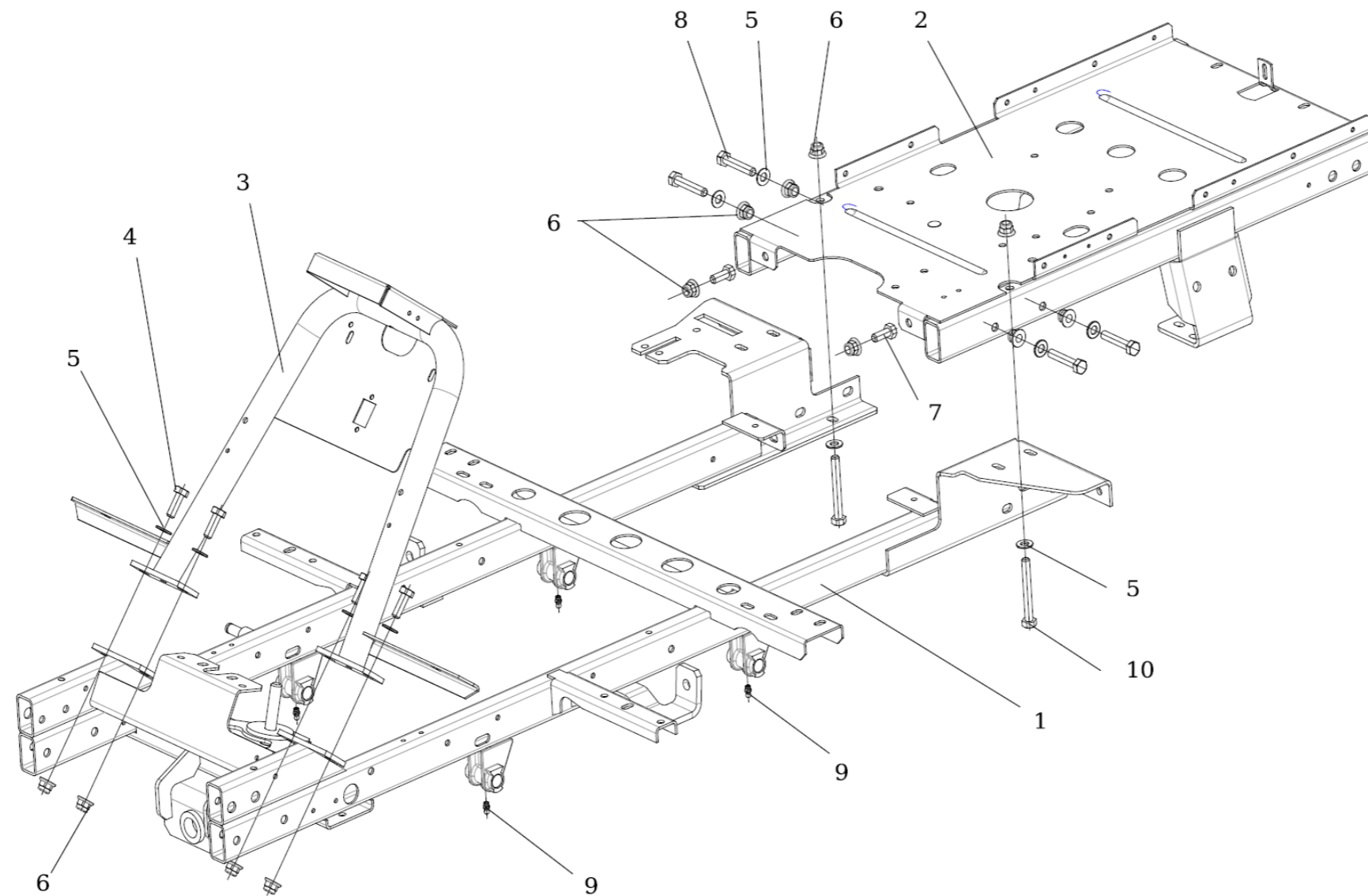
Katalog : KGC2A-19-0001  
 Skupina : KGC02-13-0001

Goliath - rám

Goliath chassis

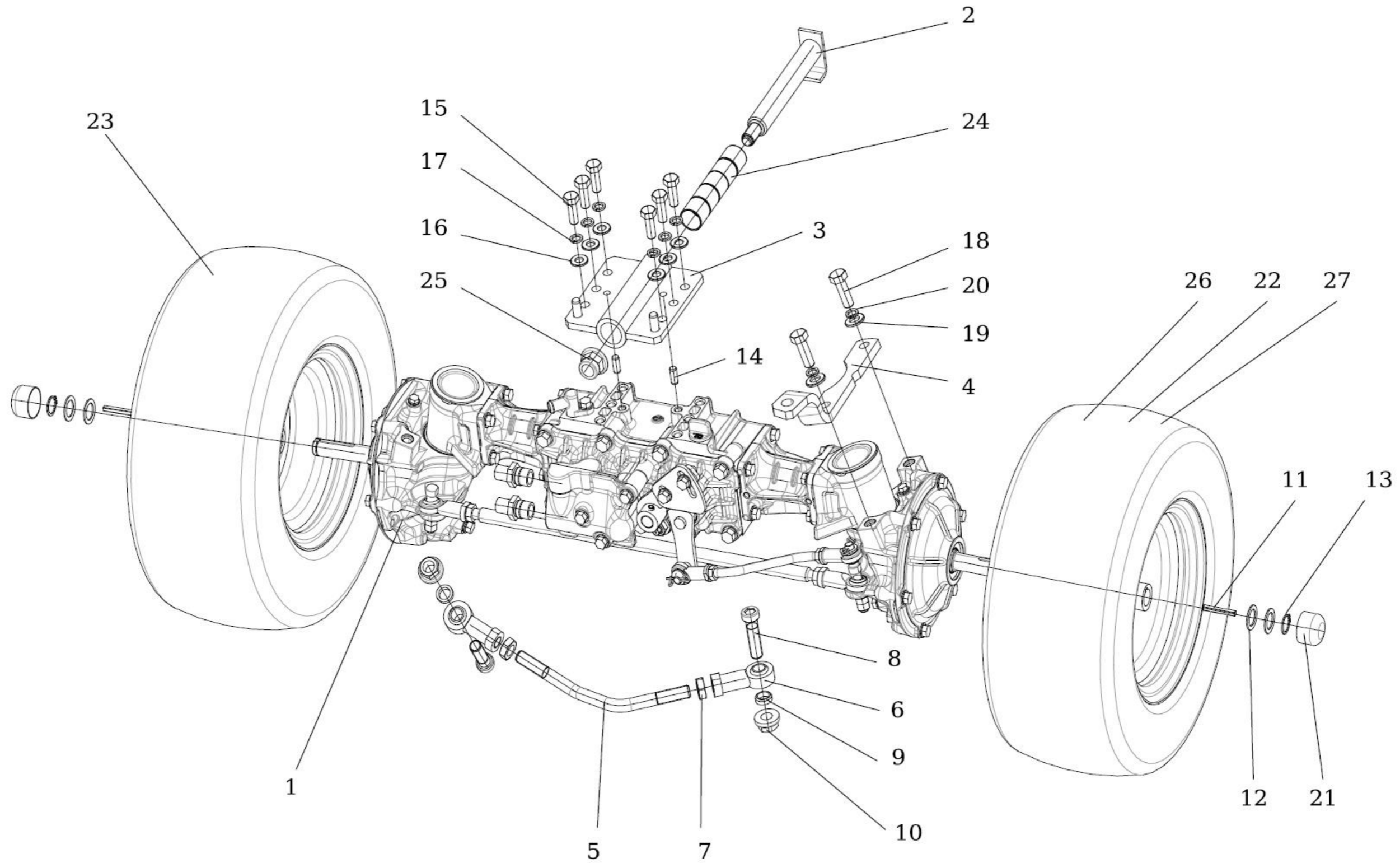
Goliath Rahmen

Pos.	qty	Item number SECO	Item number B&S	Popis	Description	Beschreibung
1	1	S532912472313		RÁM DĚLENÝ GC	Chassis devided GC	Rahmen geteilt GC
2	1	S532927962113		KOMORA MOTORU GC	Engine chamber GC	Motorkammer GC
3	1	S532915462343		VZPĚRA VOLANTU	Steering wheel-brace	Stütze von Lenkrad
4	4	N309503510		ŠROUB M 10X30	Screw M 10X30	Schraube M 10X30
5	10	N311210504		PODLOŽKA 10.5	Washer 10.5	Scheibe 10.5
6	12	N311129523		MATICE M 10 DIN 6926 ZINK	Nut M 10 DIN 6926 Zinc	Mutter M 10 DIN 6926 verzinkt
7	2	N309503502		ŠROUB M 10X25	Screw M 10X25	Schraube M 10X25
8	4	N309501519		ŠROUB M 10X55	Screw M 10x55	Schraube M 10x55
9	1	N425111004		MAZACÍ HLAVICE MK 6X1	Lubricating head MK 6x1	Schmierkopf MK 6X1
10	2	N309503558		ŠROUB M 10X80	Screw M 10X80	Schraube M 10X80




KGC02-13-0001

REV	CHANGES:	BY	DOC NO.	DATE	DO NOT SCALE DRAWING	DIMENSIONING AND TOLERANCING PER ASME Y14.5-2009	BRIGGS & STRATTON		BRIGGS & STRATTON CORP.	
-	INITIAL RELEASE	MAD	ECN060896	08/15/19	THIS DOCUMENT IS PROPRIETARY PROPERTY OF BRIGGS & STRATTON CORPORATION DISCLOSED IN CONFIDENCE, WHICH MAY NOT BE USED OR DISCLOSED WITHOUT PERMISSION. RETURN PROMPTLY AFTER USE. UNCONTROLLED DOCUMENT WHEN PRINTED.	CLASSIFICATION OF CHARACTERISTICS	TITLE: BCR3626BVECE		REV. -	
							MATERIAL: SEE NOTES			
							SIMILAR TO: -			
							DRW: MAD 8/15/19	2691744-00		
							APP: - -	SHEET 11 OF 39		



FOR BOM SEE NEXT SHEET  
**KGC03-13-0001**

REV	CHANGES:	BY	DOC NO.	DATE	DO NOT SCALE DRAWING	DIMENSIONING AND TOLERANCING PER ASME Y14.5-2009	 <b>BRIGGS &amp; STRATTON CORP.</b>		
-	INITIAL RELEASE	MAD	ECN060896	08/15/19	THIS DOCUMENT IS PROPRIETARY PROPERTY OF BRIGGS & STRATTON CORPORATION DISCLOSED IN CONFIDENCE, WHICH MAY NOT BE USED OR DISCLOSED WITHOUT PERMISSION. RETURN PROMPTLY AFTER USE. UNCONTROLLED DOCUMENT WHEN PRINTED.	CLASSIFICATION OF CHARACTERISTICS  CRITICAL (C): MAJOR (M):	TITLE: BCR3626BVECE		
							MATERIAL: SEE NOTES		
							SIMILAR TO: -		
							DRW: MAD 8/15/19	<b>2691744-00</b>	REV.
							APP: - -		SHEET 12 OF 39

Katalog : KGC2A-19-0001  
 Skupina : KGC03-13-0001

Goliath přední náprava

Goliath front axle

Goliath Vorderachse

Pos.	qty	Item number SECO	Item number B&S	Popis	Description	Beschreibung
1	1	N532991057		NÁPRAVA PŘEDNÍ KXH 10N	Axle front KXH 10N	Vorderachse KXH 10N
2	1	S532993122783		ČEP ÚPLNÝ	Pin complete	Bolzen kompl.
3	1	S532916262253		DRŽÁK NÁPRAVY ÚPLNÝ	Axle holder complete	Achsehalter kompl.
4	1	S532080422693		PÁKA ŘÍZENÍ	Steering lever	Lenkhebel
5	1	S532080102883		TYČ ŘÍDÍCÍ GC	Control bar GC	Lenkungsstange GC
6	2	N442073031		HLAVICE KLOUBOVÁ PHS 14 R EX	Joint head PHS 14 REX	Gelenkkopf PHS 14 REX
7	2	N311120542		MATICE M 14	Nut M 14	Mutter M 14
8	2	S532190161013		ŠROUB	Screw	Schraube
9	2	S532095209013		ROZPĚRKA	Spacer	Distanzstück
10	2	N311129529		MATICE M 14 RIPP DIN 6923	Nut M 14 RIPP DIN 6923	Mutter M 14 RIPP DIN 6923
11	2	S532092312233		PERO	Spring	Feder
12	4	S532092207583		PODLOŽKA	Washer	Scheibe
13	2	N311732023		POJIST. KROUŽEK E-75 3/4"	Lock ring E-75 3/4"	Sicherungsring E-75 3/4"
14	2	N311515079	n.a.	KOLÍK 8X20 A	Pin 8X20 A	Stift 8X20 A
15	6	N309503571	n.a.	ŠROUB M 10X30 DIN 933-10.9 GEOMET	Screw M10x30 DIN 933-10.9	Schraube M 10X30 DIN 933-10.9
16	6	N311210504	n.a.	PODLOŽKA 10.5	Washer 10.5	Scheibe 10.5
17	6	N311214503	n.a.	PODLOŽKA 10	Washer 10	Scheibe 10
18	2	N309503572	n.a.	ŠROUB M 12X35 DIN 933-10.9 GEOMET	Screw M12x35 DIN 933-10.9	Schraube M 12X35 DIN 933-10.9
19	2	N311210505	n.a.	PODLOŽKA 13	Washer 13	Scheibe 13
20	2	N311214504	n.a.	PODLOŽKA 12	Washer 12	Scheibe 12
21	2	N532150753		KRYTKA 32X25 VINYL-FLEX	Cover 32X25 Vinyl-Flex	Abdeckung 32X25 VINYL-FLEX
22	1	N532940177		KOLO PŘEDNÍ L 16X6.50-8 TRAC MAST	Wheel front L 16x6.50-8 TRAC MAST	Vorderrad L 16x6.50-8 TRAC MASTER
23	1	N532940178		KOLO PŘEDNÍ P 16X6.50-8 TRAC MAST	Wheel front R 16x6.50-8 TRAC MAST	Vorderrad R 16x6.50-8 TRAC MASTER
24	5	N323721015		POUZDRO LOŽISKOVÉ WSM-2528-25W300	Bearing bushing WSM-2528-25W300	Lagerbüchse WSM-2528-25W300
25	1	N311129527	n.a.	MATICE M 16 DIN 6926	Nut M 16 DIN 6926	Mutter M 16 DIN 6926
26	2	N274161016		PNEU 16X6.50-8 CROSS 4X4	Tyre 16X6.50-8 CROSS 4X4	Reifen 16X6.50-8 CROSS 4X4
27	2	N325111015		DISK 5.50X8 PŘEDNÍ CROSS 4X4	Wheel disk 5.50x8 front Cross 4x4	Felge 5.50x8 vordere Cross 4x4

FOR DRAWING SEE PREVIOUS SHEET

**KGC03-13-0001**

REV	CHANGES:	BY	DOC NO.	DATE	DO NOT SCALE DRAWING	DIMENSIONING AND TOLERANCING PER ASME Y14.5-2009	BRIGGS & STRATTON CORP.		
-	INITIAL RELEASE	MAD	ECN060896	08/15/19	THIS DOCUMENT IS PROPRIETARY PROPERTY OF BRIGGS & STRATTON CORPORATION DISCLOSED IN CONFIDENCE, WHICH MAY NOT BE USED OR DISCLOSED WITHOUT PERMISSION. RETURN PROMPTLY AFTER USE. UNCONTROLLED DOCUMENT WHEN PRINTED.	CLASSIFICATION OF CHARACTERISTICS	TITLE: BCR3626BVECE		
							MATERIAL: SEE NOTES		
							SIMILAR TO: -		
							CRITICAL (C):	DRW: MAD 8/15/19	2691744-00
							MAJOR (M):	APP: - -	
							SHEET 13 OF 39	REV. -	

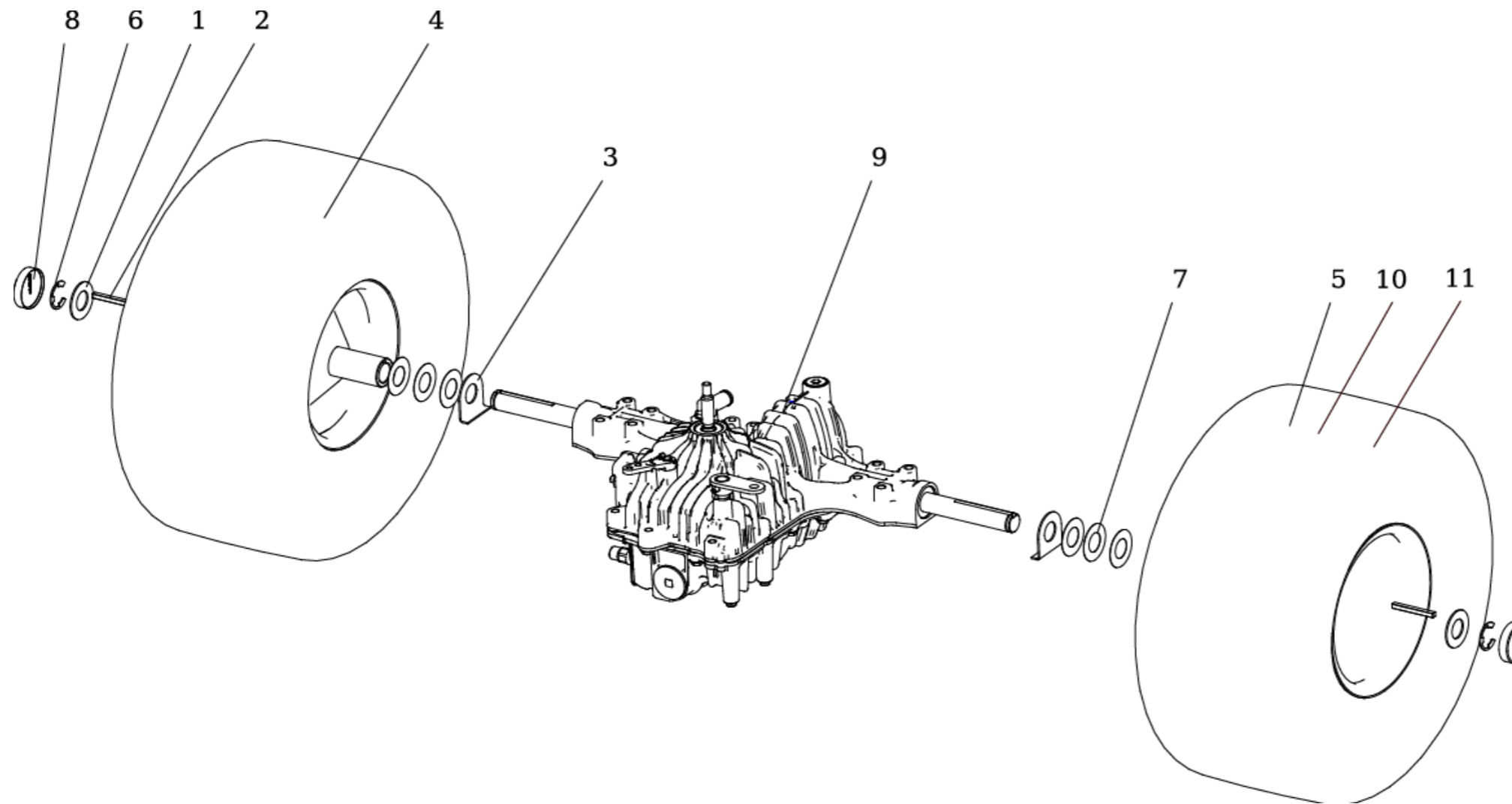
Katalog : KGC2A-19-0001  
 Skupina : KGC04-18-0001

Goliath zadní náprava

Goliath rear axle

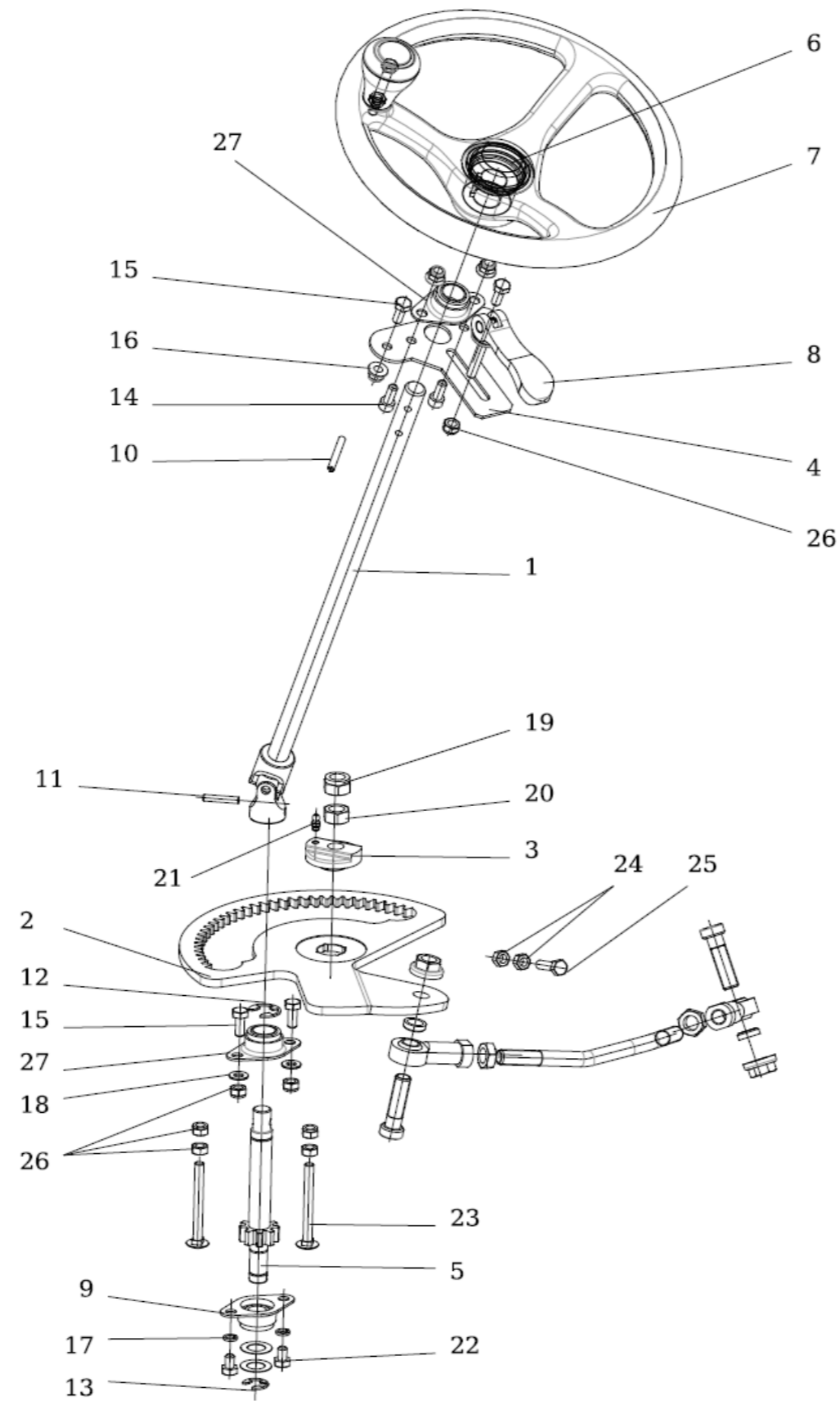
Goliath Hinterachse

Pos.	qty	Item number SECO	Item number B&S	Popis	Description	Beschreibung
1	2	S532092208053		PODLOŽKA	washer	Scheibe
2	2	N311726100		PERO 0-9231-224	Key 0-9231-224	Feder 0-9231-224
3	2	S532092208553		PODLOŽKA	Washer	Scheibe
4	1	N532940175		KOLO ZADNÍ L 20X10.00-8 TRAC MAST	Wheel rear L 20x10.00-8 TRAC MAST	Hinterrad L 20x10.00-8 TRAC MASTE
5	1	N532940176		KOLO ZADNÍ P 20X10.00-8 TRAC MAST	Wheel rear R 20x10.00-8 TRAC MAST	Hinterrad R 20x10.00-8 TRAC MASTE
6	2	N311732024		POJIST. KROUŽEK SE-98 1"	Lock ring SE-98 1	Sicherungsring SE-98 1"
7	8	S532092208083		PODLOŽKA	Washer	Scheibe
8	2	N532151655		KRYTKA 0-8025-201 49X25 SE ZÁPICH	Cap 0-8025-201 49x25	Kappe 0-8025-201 49x25
9	1	N532991058		PŘEVODOVKA K 664 E TUFF TORQ	Transmission K664 E Tuff Torq	Getriebe K664 E Tuff Torq
10	2	N325111028		RÁFEK ZADNÍ 7.00IX8H2 OTR 202135	Wheel disc rear 7.00IX8H2 OTR 202	Felge hinter 7.00IX8H2 OTR 202135
11	2	N274161015		PNEU 20X10.00-8 CROSS 4X4	Tyre 20X10.00-8 CROSS 4X4	Reifen 20X10.00-8 CROSS 4X4




KGC04-18-0001

REV	CHANGES:	BY	DOC NO.	DATE	DO NOT SCALE DRAWING	DIMENSIONING AND TOLERANCING PER ASME Y14.5-2009	BRIGGS & STRATTON CORP.		
-	INITIAL RELEASE	MAD	ECN060896	08/15/19	THIS DOCUMENT IS PROPRIETARY PROPERTY OF BRIGGS & STRATTON CORPORATION DISCLOSED IN CONFIDENCE, WHICH MAY NOT BE USED OR DISCLOSED WITHOUT PERMISSION. RETURN PROMPTLY AFTER USE. UNCONTROLLED DOCUMENT WHEN PRINTED.	CLASSIFICATION OF CHARACTERISTICS  CRITICAL (C): MAJOR (M):	TITLE: BCR3626BVECE		
							MATERIAL: SEE NOTES		
							SIMILAR TO: -	2691744-00	REV. -
							DRW: MAD 8/15/19		
							APP: - -	SHEET 14 OF 39	



FOR BOM SEE NEXT SHEET  
**KGC05-13-0001**

REV	CHANGES:	BY	DOC NO.	DATE	DO NOT SCALE DRAWING	DIMENSIONING AND TOLERANCING PER ASME Y14.5-2009	 <b>BRIGGS &amp; STRATTON CORP.</b>		
-	INITIAL RELEASE	MAD	ECN060896	08/15/19	THIS DOCUMENT IS PROPRIETARY PROPERTY OF BRIGGS & STRATTON CORPORATION DISCLOSED IN CONFIDENCE, WHICH MAY NOT BE USED OR DISCLOSED WITHOUT PERMISSION. RETURN PROMPTLY AFTER USE. UNCONTROLLED DOCUMENT WHEN PRINTED.	CLASSIFICATION OF CHARACTERISTICS  CRITICAL (C): MAJOR (M):	TITLE: BCR3626BVECE		REV.
							MATERIAL: SEE NOTES		
							SIMILAR TO: -	<b>2691744-00</b>	
							DRW: MAD 8/15/19		
							APP: - -	SHEET 15 OF 39	

Katalog : KGC2A-19-0001  
 Skupina : KGC05-13-0001

Goliath řízení

Goliath steering

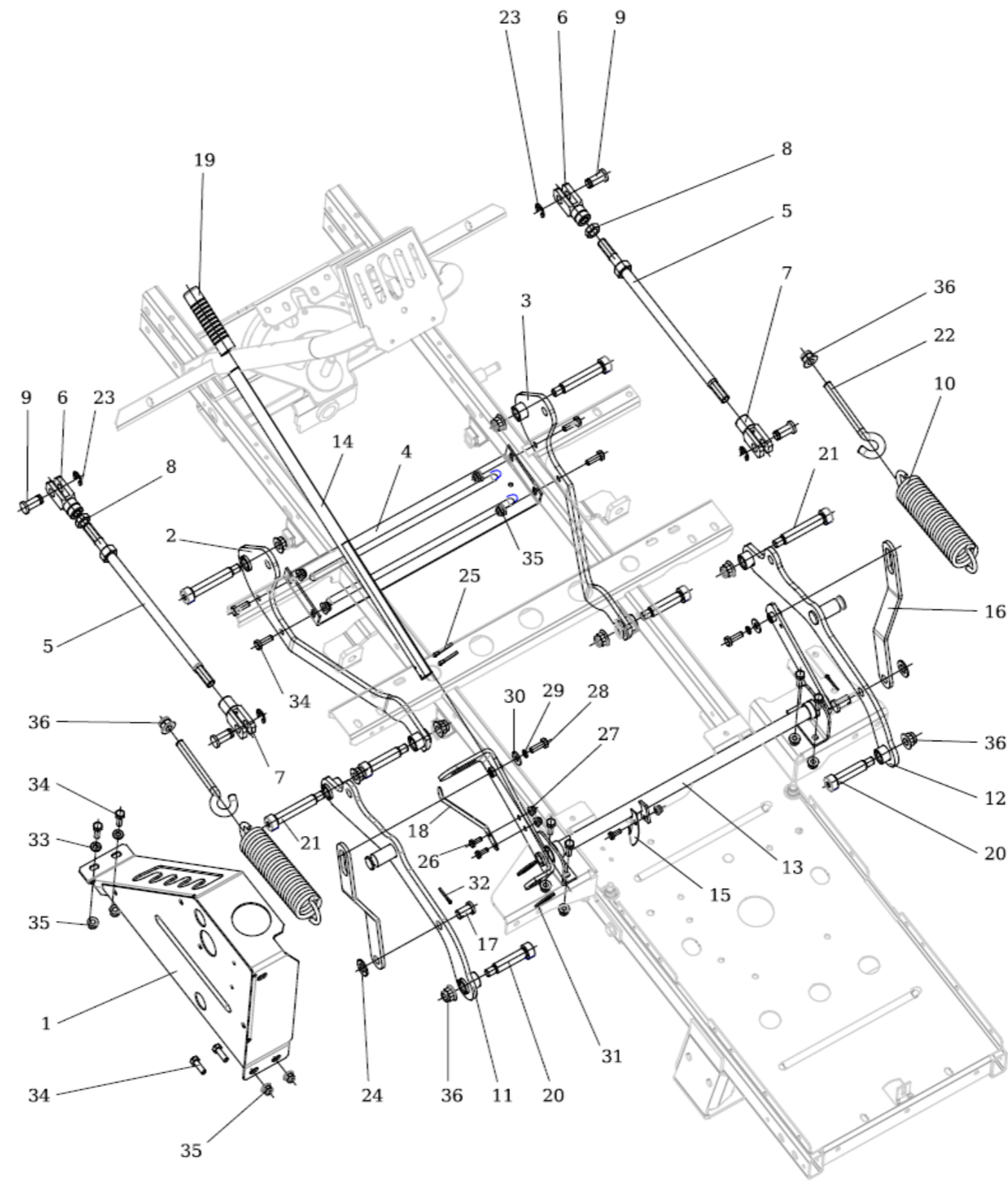
Goliath Lenkung

Pos.	qty	Item number SECO	Item number B&S	Popis	Description	Beschreibung
1	1	S532930702173		HŘÍDEL VOLANTU ÚPLNÁ	Steering wheel-shaft compl.	Lenkradswelle kompl.
2	1	S532033322443		SEGMENT OZUBENÝ	Cogged segment	Zahnsegment
3	1	S532080272053		EXCENTR	Eccentric	Exzenter
4	1	S532013425953		VEDENÍ VOLANTU	Steering wheel guidance	Lenkradführung
5	1	S532930252203		PASTOREK ÚPLNÝ	Pinion complete	Ritzel kompl.
6	1	N532151106		KRYTKA COBO 0047	Cover COBO 0047	Abdeckung COBO 0047
7	1	N443821008		VOLANT COBO PP031	Steering wheel Cobo PP031	Lenkrad Cobo PP031
8	1	N532151102		PÁČKA EXCENTRICKÁ 04232-201108X50	Excentric lever 0432-201108X50	Hebel exzentrisch 0432-201108X50
9	1	N324196023		LOŽISKO KULOVÉ FJW 10	Ball bearing FJW 10	Kugellager FJW 10
10	1	N315238031	n.a.	PRUŽNÝ KOLÍK 6X45	Spring pin 6x45	Spannstift 6X45
11	1	N315238011	n.a.	PRUŽ. KOLÍK 6X32	Spring pin 6x32	Spannstift 6x32
12	1	N311732008	n.a.	POJIST. KROUŽEK 15	Lock ring 15	Sicherungsring 15
13	1	N311732009	n.a.	POJIST. KROUŽEK 12	Lock ring 12	Sicherungsring 12
14	2	N309543506	n.a.	ŠROUB M 8X20	Screw M 8X20	Schraube M 8X20
15	4	N309503518	n.a.	ŠROUB M 8X20	Screw M8X20	Schraube M 8X20
16	2	N532150290	n.a.	MATICE M 8 DIN 6926 8 ZINK	Nut M 8 DIN 6926 8 Zinc	Mutter M 8 DIN 6926 8 verzinkt
17	2	N311214502	n.a.	PODLOŽKA 8	Washer 8	Scheibe 8
18	3	N311219525	n.a.	PODLOŽKA 16X28X0.5 DIN 988	Washer 16x28x0.5 DIN 988	Scheibe 16x28x0.5 DIN 988
19	1	N311129528	n.a.	MATICE M 14	Nut M 14	Mutter M 14
20	1	N311150513	n.a.	MATICE M 14	Nut M14	Mutter M 14
21	1	N425111004	n.a.	MAZACÍ HLAVICE MK 6X1	Lubricating head MK 6x1	Schmierkopf MK 6X1
22	2	N309203521	n.a.	ŠROUB M 8X12	screw M8x12	Schraube M 8X12
23	2	N309019534	n.a.	ŠROUB M 8X80 DIN 603	Screw M 8x80 DIN 603	Schraube M 8x80 DIN 603
24	4	N311150503	n.a.	MATICE M 8	Nut M 8	Mutter M 8
25	1	N309503515	n.a.	ŠROUB M 8X30	Screw M 8X30	Schraube M 8X30
26	7	N311129501	n.a.	MATICE M 8	Nut M 8	Mutter M 8
27	2	N000324001		KULOVÉ LOŽISKO FLW 12	Spherical bearing FLW 12	Kugellager FLW 12


FOR DRAWING SEE PREVIOUS SHEET

**KGC05-13-0001**

REV	CHANGES:	BY	DOC NO.	DATE	DO NOT SCALE DRAWING	DIMENSIONING AND TOLERANCING PER ASME Y14.5-2009	BRIGGS & STRATTON CORP.		
-	INITIAL RELEASE	MAD	ECN060896	08/15/19	THIS DOCUMENT IS PROPRIETARY PROPERTY OF BRIGGS & STRATTON CORPORATION DISCLOSED IN CONFIDENCE, WHICH MAY NOT BE USED OR DISCLOSED WITHOUT PERMISSION. RETURN PROMPTLY AFTER USE. UNCONTROLLED DOCUMENT WHEN PRINTED.	CLASSIFICATION OF CHARACTERISTICS	TITLE: BCR3626BVECE		
							MATERIAL: SEE NOTES		
							SIMILAR TO: -		
							CRITICAL (C):	DRW: MAD 8/15/19	2691744-00
							MAJOR (M):	APP: -	
							SHEET 16 OF 39	REV. -	



FOR BOM SEE NEXT SHEET  
**KGC06-14-0001**

REV	CHANGES:	BY	DOC NO.	DATE	DO NOT SCALE DRAWING	DIMENSIONING AND TOLERANCING PER ASME Y14.5-2009	 <b>BRIGGS &amp; STRATTON CORP.</b>		
-	INITIAL RELEASE	MAD	ECN060896	08/15/19	THIS DOCUMENT IS PROPRIETARY PROPERTY OF BRIGGS & STRATTON CORPORATION DISCLOSED IN CONFIDENCE, WHICH MAY NOT BE USED OR DISCLOSED WITHOUT PERMISSION. RETURN PROMPTLY AFTER USE. UNCONTROLLED DOCUMENT WHEN PRINTED.	CLASSIFICATION OF CHARACTERISTICS  CRITICAL (C): MAJOR (M):	TITLE: BCR3626BVECE		
							MATERIAL: SEE NOTES		
							SIMILAR TO: -	<b>2691744-00</b>	REV. -
							DRW: MAD 8/15/19		
							APP: - -	SHEET 17 OF 39	

Katalog : KGC2A-19-0001  
 Skupina : KGC06-14-0001

Goliath zdvih sečení

Goliath mowing lifting

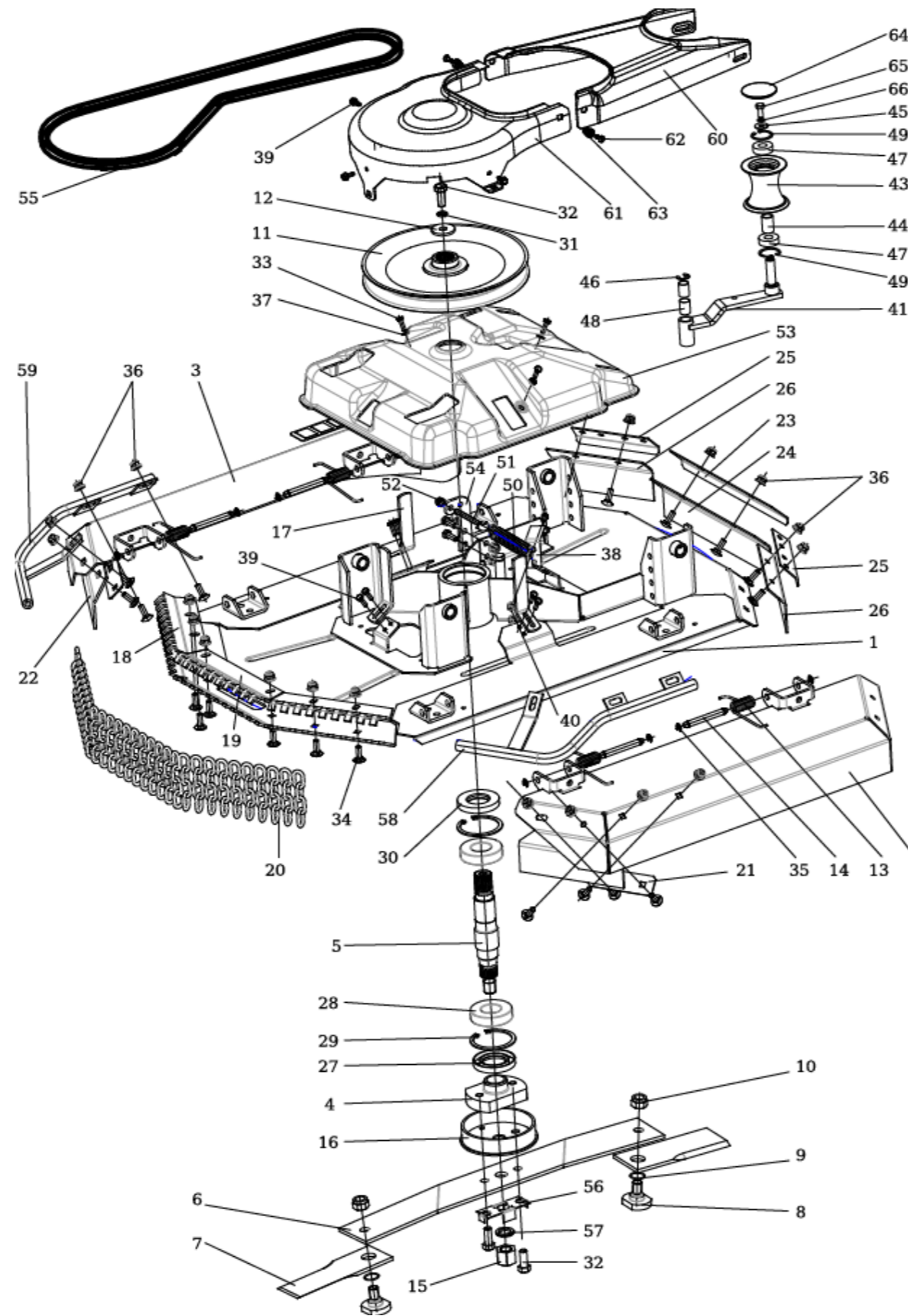
Goliath Aufhebung des Mähdecks

Pos.	qty	Item number SECO	Item number B&S	Popis	Description	Beschreibung
1	1	S532913463943		KULISA ZDVIHÁNÍ SEČENÍ ÚPLNÁ	Mowing lifting gate compl.	Mähdeckshebungschwinge vol.
2	1	S532980508263		RAMENO PŘEDNÍ ÚPLNÉ L.	Arm front compl. left	Arm vorder vol. link
3	1	S532980508253		RAMENO PŘEDNÍ ÚPLNÉ P.	Arm front compl. right	Arm vorder vol. recht
4	1	S532080508233		VÝZTUHA PŘED. RAMEN	Front arms reinforcement	Stütze von Vorderamrs
5	1	S532980422423		SPRÁHLO	Coupling	Kupplungsvorrichtung
6	1	S532080602423		VIDLICE LEVÁ	Fork left	Stecker link
7	1	S532080602433		VIDLICE PRAVÁ	Fork right	Stecker recht
8	1	N311120541		MATICE M 14X1.5 L DIN 439	Nut M 14x1.5 L DIN 439	Mutter M 14x1.5 L DIN 439
9	4	S532193107703		ČEP SPRÁHLA	Coupling pin	Kupplungsbolzen
10	2	N315231268		PRUŽINA TZ 27/1/1 1.1200	Spring TZ 27/1/1 1.1200	Feder TZ 27/1/1 1.1200
11	1	S532980508273		RAMENO ZADNÍ LEVÉ	Arm rear left	Arm hinter link
12	1	S532980508283		RAMENO ZADNÍ PRAVÉ	Arm rear right	Arm hinter recht
13	1	S532980702193		ZVEDÁNÍ SEČENÍ	Cutting lifting	Aufhebung des Mähdecks
14	1	S532080112473		PÁKA ZDVIHÁNÍ SEČENÍ	Mowing-lifting lever	Mähdecksaufhebungshebel
15	1	S532097402243		PRUŽINA SPÍNAČE SEČENÍ	Mowing switch spring	Mähenschaltersfeder
16	2	S532080312303		RAMENO SEČENÍ	Mowing arm	Arm des Mähdecks
17	2	S532193117713		ČEP ZAVĚSU SEKÁNÍ	Cutting carrier-pin	Mähhängerbolzen
18	1	S532097402253		PRUŽINA PÁKY ZDVIHÁNÍ	Lifting-lever spring	Hebelsfeder
19	1	N532151267		RUKOJEŤ SUNAP 319A-035-20	Handle SUNAP 319A-035-20	Griff SUNAP 319A-035-20
20	4	N309578539		ŠROUB PR. 16/M12-60 BN 1359	Screw 16/M12-60 BN 1359	Schraube 16/M12-60 BN 1359
21	4	N309578491		ŠROUB PR. 16/M12-80 BN 1359	Screw pr.16/M12-80 BN1359	Schraube PR. 16/M12-80 BN 1359
22	2	N309510004		HÁK M 12X100 ZINK	Hook M 12x100 Zn	Haaken M 12x100 Zn
23	4	N311732009		POJIST. KROUŽEK 12	Lock ring 12	Sicherungsring 12
24	2	N311210508	n.a.	PODLOŽKA 21	Washer 21	Scheibe 21
25	2	N311338503	n.a.	ZÁVLAČKA 4X40	Split pin 4X40	Splint 4X40
26	3	N309503548	n.a.	ŠROUB M 6X20	Screw M 6X20	Schraube M 6X20
27	3	N311129525	n.a.	MATICE M 6 DIN 6926 ZINK	Nut M 6 DIN 6926	Mutter M 6 DIN 6926
28	2	N309503512	n.a.	ŠROUB M 8X25	Screw M 8X25	Schraube M 8X25
29	2	N311214502	n.a.	PODLOŽKA 8	Washer 8	Scheibe 8
30	2	N311212517	n.a.	PODLOŽKA 9 ZINK.	Washer 9 Zinc	Scheibe 9 verzinkt
31	2	N311210511	n.a.	PODLOŽKA 15	Washer 15	Scheibe 15
32	2	N311338517	n.a.	ZÁVLAČKA 3.2X25	Spindle 3.2x25	Federsplint 3.2X25
33	2	N311210503	n.a.	PODLOŽKA 8.4	Washer 8.4	Scheibe 8.4
34	16	N309503512	n.a.	ŠROUB M 8X25	Screw M 8X25	Schraube M 8X25
35	12	N532150290	n.a.	MATICE M 8 DIN 6926 8 ZINK	Nut M 8 DIN 6926 8 Zinc	Mutter M 8 DIN 6926 8 verzinkt
36	10	N311129526	n.a.	MATICE M 12 DIN 6926	Nut M 12 DIN 6926	Mutter M 12 DIN 6926


FOR DRAWING SEE PREVIOUS SHEET

**KGC06-14-0001**

REV	CHANGES:	BY	DOC NO.	DATE	DO NOT SCALE DRAWING	DIMENSIONING AND TOLERANCING PER ASME Y14.5-2009	BRIGGS & STRATTON		BRIGGS & STRATTON CORP.
-	INITIAL RELEASE	MAD	ECN060896	08/15/19	THIS DOCUMENT IS PROPRIETARY PROPERTY OF BRIGGS & STRATTON CORPORATION DISCLOSED IN CONFIDENCE, WHICH MAY NOT BE USED OR DISCLOSED WITHOUT PERMISSION. RETURN PROMPTLY AFTER USE. UNCONTROLLED DOCUMENT WHEN PRINTED.	CLASSIFICATION OF CHARACTERISTICS	TITLE: BCR3626BVECE		REV. -
							MATERIAL: SEE NOTES		
							SIMILAR TO: -	2691744-00	
							DRW: MAD 8/15/19		
							CRITICAL (C):	APP: -	
					MAJOR (M):				



FOR BOM SEE NEXT SHEETS  
**KGC07-17-0001**

REV	CHANGES:	BY	DOC NO.	DATE	DO NOT SCALE DRAWING	DIMENSIONING AND TOLERANCING PER ASME Y14.5-2009	 <b>BRIGGS &amp; STRATTON CORP.</b>		
-	INITIAL RELEASE	MAD	ECN060896	08/15/19	THIS DOCUMENT IS PROPRIETARY PROPERTY OF BRIGGS & STRATTON CORPORATION DISCLOSED IN CONFIDENCE, WHICH MAY NOT BE USED OR DISCLOSED WITHOUT PERMISSION. RETURN PROMPTLY AFTER USE. UNCONTROLLED DOCUMENT WHEN PRINTED.	CLASSIFICATION OF CHARACTERISTICS  CRITICAL (C): MAJOR (M):	TITLE: BCR3626BVECE		REV.
							MATERIAL: SEE NOTES		
							SIMILAR TO: -	<b>2691744-00</b>	
							DRW: MAD 8/15/19		
							APP: - -	SHEET 19 OF 39	

Katalog : KGC2A-19-0001  
 Skupina : KGC06-14-0001

Goliath žací ústrojí 92cm

Goliath Mowig unit 92cm

Goliath Mähdeck Nr.1 92cm

Pos.	qty	Item number SECO	Item number B&S	Popis	Description	Beschreibung
1	1	S532950472333		KRYT SEČENÍ 92 GC	Cutting deck 92 GC	Mähdeck 92 GC
2	1	S532985423883		KRYT LEVÝ ÚPLNÝ	Cover left compl.	Deckel linker voll.
3	1	S532985423893		KRYT PRAVÝ ÚPLNÝ	Cover right compl.	Deckel rechter voll.
4	1	S532098212023		PŘÍRUBA	Flange	Flansch
5	1	S532038152193		HŘÍDEL SEČENÍ	Cutting shaft	Mähnenwelle
6	1	S532050412233		NOSNÍK	Carrier	Träger
7	1	S532950602033		DVOJICE NOŽU	Blade pair	Messer Satz
8	2	S532090164643		ŠROUB NOŽE	Blade screw	Messerschraube
9	2	N273111027		KROUŽEK 22X2	Ring 22X2	Ring 22X2
10	2	N311129503		MATICE M 16 DIN 985-8-A3E	Nut M 16 Din 985-8-A3E	Mutter M 16 DIN 985-8-A3E
11	1	S532033252033		ŘEMENICE 92	Pulley 92	Riemenscheibe 92
12	1	S532092207873	n.a.	PODLOŽKA	Washer	Scheibe
13	4	N315231221		PRUŽINA 0-9746-480	Spring 0-9746-480	Feder 0-9746-480
14	4	S532093117613		ČEP	Pin	Bolzen
15	1	N532150440		MATICE 0-9125-226	Nut 0-9125-226	Mutter 0-9125-226
16	1	S532939352023		VÍČKO ÚPLNÉ	Cap complete	Kappe voll.
17	3	S532014409283		OMEZOVAČ	Limiter	Grenzer
18	2	S532113415743		ZARÁŽKA ŘETĚZU	Chain stopper	Ketteschlag
19	1	S532113415733		ZARÁŽKA ŘETĚZU PŘEDNÍ	Chain stopper front	Ketteschlag vorderer
20	31	N318112030		ŘETĚZ A6/3 ČL. 9-8558-200	Chain A6/4 . 9-8558-200	Kette A6/4 . 9-8558-200
21	2	S532113408393		PODLOŽKA CLONY PŘEDNÍ	Front shield washer	Blendescheibe vordere
22	2	N273192050		CLONA PŘEDNÍ 0-8532-406	Shield frot 0-8542-406	Blende vordere 0-8542-406
23	1	S532113408383		PODLOŽKA CLONY ZADNÍ 2	Rear shield washer 2	Blendescheibe hintere 2
24	1	N273192051		CLONA ZADNÍ 2 0-8532-408	Shield rear 2 0-8532-408	Blende hintere 2 0-8532-408
25	2	S532113408373		PODLOŽKA CLONY ZADNÍ 1	Shield washer rear 1	Blendescheibe hintere 1
26	2	N273192052		CLONA ZADNÍ 1 0-8532-407	Shield rear 1 0-8532-407	Blende hintere 1 0-8532-407
27	1	N273521180		HŘÍDELOVÉ TĚSNĚNÍ 45X72X10	Shaft seal 45x72x10	Welledichtung 45x72x10
28	2	N324162095		LOŽISKO 6207 2 RS	Bearing 6207 2 RS	Lager 6207 2 RS
29	2	N311733093		POJIST. KROUŽEK 72	Lock ring 72	Sicherungsring 72
30	1	N273521179		HŘÍDELOVÉ TĚSNĚNÍ 35X72X10 GP	Shaft sealing 35x72x10 GP	Welledichtung 35X72X10 GP
31	1	N311214504	n.a.	PODLOŽKA 12	Washer 12	Scheibe 12
32	3	N309503503	n.a.	ŠROUB M 12X30	Screw M 12X30	Schraube M 12X30
33	11	N309503508	n.a.	ŠROUB M 6X16	Screw M6X16	Schraube M 6X16
34	20	N309019508	n.a.	ŠROUB M 8X25 ZINK.	Screw M8x25 Zinc	Schraube M 8X25 verzinkt
35	8	N311732002	n.a.	POJIST. KROUŽEK 7	Lock ring 7	Sicherungsring 7
36	23	N532150290	n.a.	MATICE M 8 DIN 6926 8 ZINK	Nut M 8 DIN 6926 8 Zinc	Mutter M 8 DIN 6926 8 verzinkt
37	9	N311210502	n.a.	PODLOŽKA 6.4	Washer 6.4	Scheibe 6.4
38	1	S532113408453		DORAZ NAPINACÍ KLADKY	Tension pulley-backstop	Anschlag der Spannriemenscheibe
39	14	N309578517	n.a.	ŠROUB M 6X16 DIN 7500D BN 3326	SCREW M 6X16 DIN 7500D BN 3326	Schraube M 6X16 DIN 7500D BN 3326
40	2	N311129525	n.a.	MATICE M 6 DIN 6926 ZINK	Nut M 6 DIN 6926	Mutter M 6 DIN 6926

BOM CONTINUES ON THE FOLLOWING SHEET

FOR DRAWING SEE PREVIOUS SHEET  
**KGC07-17-0001**

REV	CHANGES:	BY	DOC NO.	DATE	DO NOT SCALE DRAWING	DIMENSIONING AND TOLERANCING PER ASME Y14.5-2009	BRIGGS & STRATTON CORP.		
-	INITIAL RELEASE	MAD	ECN060896	08/15/19	THIS DOCUMENT IS PROPRIETARY PROPERTY OF BRIGGS & STRATTON CORPORATION DISCLOSED IN CONFIDENCE, WHICH MAY NOT BE USED OR DISCLOSED WITHOUT PERMISSION. RETURN PROMPTLY AFTER USE. UNCONTROLLED DOCUMENT WHEN PRINTED.	CLASSIFICATION OF CHARACTERISTICS  CRITICAL (C): MAJOR (M):	TITLE: BCR3626BVECE		
							MATERIAL: SEE NOTES		
							SIMILAR TO: -	2691744-00	REV.
							DRW: MAD 8/15/19		-
						APP: -	SHEET 20 OF 39		

Katalog : KGC2A-19-0001  
 Skupina : KGC06-14-0001

Goliath žací ústrojí 92cm

Goliath Mowig unit 92cm

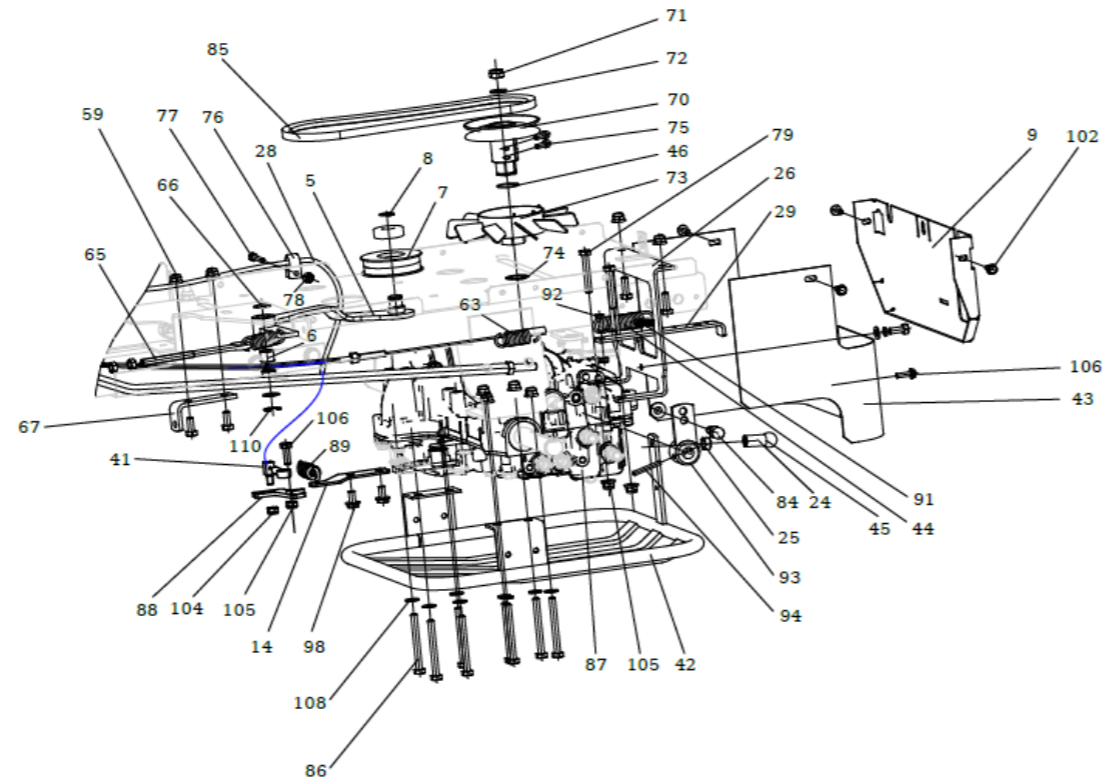
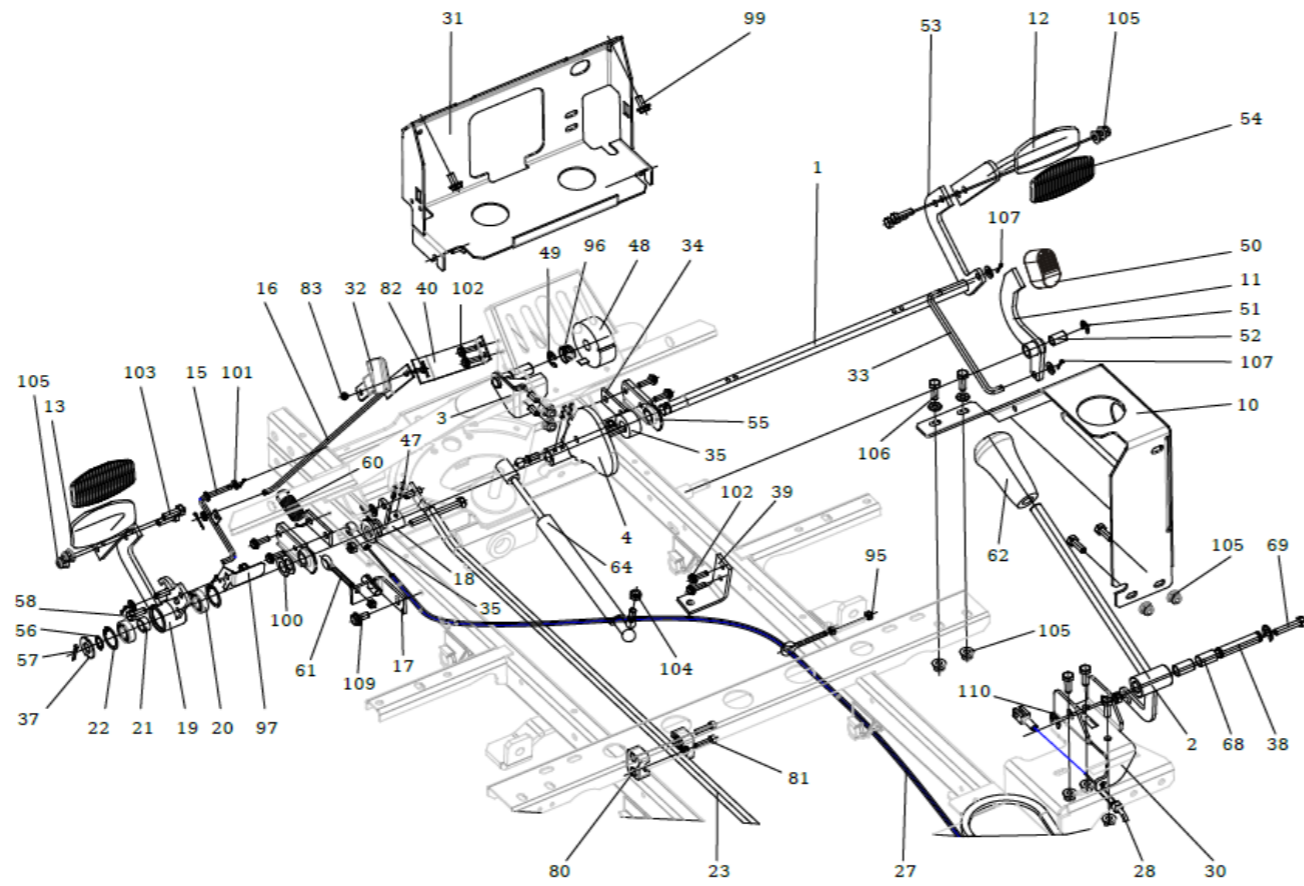
Goliath Mähdeck Nr.1 92cm

Pos.	qty	Item number SECO	Item number B&S	Popis	Description	Beschreibung
41	1	S532913463933		DRŽÁK KLADKY	Pulley holder	Riemenscheibehalter
42	1	S532038128433		HŘÍDEL	Shaft	Welle
43	1	S532033232413		KLADKA	Pulley	Riemenscheibe
44	1	S532195203803		ROZPĚRKA	Spacer	Distanzstück
45	2	N311212517	n.a.	PODLOŽKA 9 ZINK.	Washer 9 Zinc	Scheibe 9 verzinkt
46	2	N311733075	n.a.	POJIST. KROUŽEK 35	Lock ring 35	Sicherungsring 35
47	2	N324162091		LOŽISKO 6202 A 2RS	Bearing 6202 A 2Rs	Lager 6202 A 2Rs
48	2	N323721006		POUZDRO LOŽISKOVÉ 1625 KU	Bushing 1625 KU	Büchse 1625 KU
49	1	N311732009	n.a.	POJIST. KROUŽEK 12	Lock ring 12	Sicherungsring 12
50	1	N315231234		PRUŽINA 0-9746-490 NAPÍNANÍ POJEZ	Spring 0-9746-490	Feder 0-9746-490
51	1	N309599025		ŠROUB 0-9016-454 S OKEM M 8X80	Screw 0-9016-454	Schraube 0-9016-454
52	2	N309503512	n.a.	ŠROUB M 8X25	Screw M 8X25	Schraube M 8X25
53	1	N532151274		KRYT 0-8540-652 PLAST	Cover 0-8540-652 plastic	Deckel 0-8540-652 plastik
54	1	S532113326323		ZARÁŽKA NAPÍNÁKU	Stretcher backstop	Spannwerksanschlag
55	1	N272731230		KLÍN. ŘEMEN 5L 690 ROFLEX GARDEN	V-belt 5L 690 Roflex Garden	Keilriemen 5L 690 Roflex Garden
56	1	S532092304123		PODLOŽKA	Washer	Scheibe
57	1	N311219514		PODLOŽKA NL 20 LEPENA ZINK.	Washer NL 20 glued Zinc	Scheibe NL 20 geklebt verzin
58	1	S532913452203		VÝZTUHA LEVÁ	Reinforcement left	Versteifung link
59	1	S532913452193		VÝZTUHA PRAVÁ 92	Reinforcement right 92	Versteifung recht 92
60	1	N532151473		KRYT ŘEMENICE 0-8540-203 GC	Pulley cover 0-8540-203 GC	Riemenscheibeabdeckung 0-8540-203
61	1	N532151474		KRYT ŘEMENE 0-8540-204 GC	Belt cover 0-8540-204 GC	Riemenscheibedeckung 0-8540-204 G
62	2	N532150903		LŮŽKO D7-201-802-010	Seating D7-201-802-010	Bett D7-201-802-010
63	2	N532150904		CVOK D7-201-711-010	Pin D7-201-711-010	Pinne D7-201-711-010
64	1	N532151332		KRYTKA GPN 910/0715	Cap GPN 910/0715	Abdeckung GPN 910/0715
65	1	N309503518	n.a.	ŠROUB M 8X20	Screw M8X20	Schraube M 8X20
66	1	N311212502	n.a.	PODLOŽKA 13.5	Washer 13.5	Scheibe 13.5


BOM CONTINUE OF THE PREVIOUS SHEET

FOR DRAWING SEE SHEET 19  
**KGC07-17-0001**

REV	CHANGES:	BY	DOC NO.	DATE	DO NOT SCALE DRAWING	DIMENSIONING AND TOLERANCING PER ASME Y14.5-2009	BRIGGS & STRATTON CORP.		
-	INITIAL RELEASE	MAD	ECN060896	08/15/19	THIS DOCUMENT IS PROPRIETARY PROPERTY OF BRIGGS & STRATTON CORPORATION DISCLOSED IN CONFIDENCE, WHICH MAY NOT BE USED OR DISCLOSED WITHOUT PERMISSION. RETURN PROMPTLY AFTER USE. UNCONTROLLED DOCUMENT WHEN PRINTED.	CLASSIFICATION OF CHARACTERISTICS  CRITICAL (C): MAJOR (M):	TITLE: BCR3626BVECE		REV. -
							MATERIAL: SEE NOTES		
							SIMILAR TO: -	2691744-00	
							DRW: MAD 8/15/19		
							APP: - -		



FOR BOM SEE NEXT SHEETS  
KGC09-19-0001

REV	CHANGES:	BY	DOC NO.	DATE	DO NOT SCALE DRAWING	DIMENSIONING AND TOLERANCING PER ASME Y14.5-2009	 <b>BRIGGS &amp; STRATTON CORP.</b>		
-	INITIAL RELEASE	MAD	ECN060896	08/15/19	THIS DOCUMENT IS PROPRIETARY PROPERTY OF BRIGGS & STRATTON CORPORATION DISCLOSED IN CONFIDENCE, WHICH MAY NOT BE USED OR DISCLOSED WITHOUT PERMISSION. RETURN PROMPTLY AFTER USE. UNCONTROLLED DOCUMENT WHEN PRINTED.	CLASSIFICATION OF CHARACTERISTICS  CRITICAL (C): MAJOR (M):	TITLE: BCR3626BVECE		
							MATERIAL: SEE NOTES		
							SIMILAR TO: -	<b>2691744-00</b>	REV.
							DRW: MAD 8/15/19		-
							APP: -	-	SHEET 22 OF 39

Katalog : KGC2A-19-0001  
 Skupina : KGC09-19-0001

Goliath Ovládání pojezdu a brzdy

Goliath drive and brake controle

Goliath Fahr-und Bremssteuerung

Pos.	qty	Item number SECO	Item number B&S	Popis	Description	Beschreibung
1	1	S532080102023		HŘÍDEL POJEZDU		
2	1	S532913464093		PÁKA	Lever	Hebel
3	1	S532913464023		DRŽÁK TEMPOMATU ÚPLNÝ	Cruise control-holder compl.	Tempomatshalter voll.
4	1	S532980463423		PÁČKA TEMPOMATU	Cruise control lever	Tempomathebel
5	1	S532913462243		DRŽÁK KLADKY POJ.		
6	2	N323721004		POUZDRO LOŽISKOVÉ 1615 KU	Bushing 1615 KU Teflon	Büchse 1615 KU Teflon
7	1	N000532003		ŘEMENICE F 3000-0750 - KOVOVÁ	Pulley F3000-0750 metal	Riemenscheibe F 3000-0750 - metta
8	1	N311733007		POJIST. KROUŽEK 17	Lock ring I7	Sicherungsring I7
9	1	S532085427563		KRYT ZADNÍ ÚPLNÝ	Cover rear complete	Deckel hinter voll.
10	1	S532913463963		DRŽÁK PLYNU ÚPLNÝ	Gas holder compl.	Gashalter voll.
11	1	S532980552103		PEDÁL ZPÁTEČKY	Reverse pedal	Rückwärtsgangpedal
12	1	S532980463393		PEDÁL POJEZDU ÚPLNÝ	Travel pedal complete	Fahrpedal voll.
13	1	S532980463383		PEDÁL BRZDY ÚPLNÝ	Brake pedal complete	Bremsepedal voll.
14	1	S532013309583		ZARÁŽKA DIFERENCIÁLU	Differential stopper	Differenzialanschlag
15	1	S532980463453		PÁČKA ARETACE BRZDY	Brake-arrestment lever	Bremsearretierungshebel
16	1	N532151675		TÁHLO BRZDY 0-8044-204		
17	1	S532913464033		ZARÁŽKA BOWDENU BRZDY	Brake cable-stopper	Anschlag des Bremskabels
18	1	S532980463433		PÁČKA POJEZDU ÚPLNÁ	Travel lever complete	Fahrhebel voll.
19	1	S532980462383		PEDÁL BRZDY		
20	2	N324165609		LOŽISKO 6002 2RS	Bearing 6002 2RS	Lager 6002 2RS
21	1	S532195203393		ROZPĚRNÝ KROUŽEK	Spacer ring	Zwischenring
22	2	N311733073		POJIST. KROUŽEK 32	Safety ring 32	Sicherungsring 32
23	1	S532980422433		TÁHLO POJEZDU	Travel tie rod	Fahrzugstange
24	1	N442073005		KUL. PANEV 16DIN71805B ZINK BN489	Ball bushing 16DIN71805B ZnBN489	Kugelpfanne 16DIN71805B Zn BN489
25	1	N311150506	n.a.	MATICE M 10	Nut M 10	Mutter M 10
26	1	S532113415863		DRŽÁK PRUŽIN BRZDY	Brake springs-holder	Halter der Bremsesfeder
27	1	N443900145		BOWDEN. SPOJENÍ BRZDY 9-8074-328	Cable connection 9-8074-328	Kabelverbindung 9-8074-328
28	1	N443900147		BOWDEN UZÁVĚRKY 9-8074-331 GC	Diff-lock bowden 9-8074-331 GC	Abschlusssseil 9-8074-331 GC
29	1	S532080403213		TÁHLO VYPÍNAČÍ	Tie rod	Zugstange
30	1	S532113408653		DRŽÁK PÁKY DIF.	Lever holder DIF	Hebelhalter DIF.
31	1	S532013422213		DRŽÁK BATERIE		
32	1	N532151292		MADLO P. BRZDY 9-8060-299	P.brake handle 9-MTD-299	P.Bremsegriff 9-MTD-299
33	1	N532151285		TÁHLO ZPÁTEČKY 0-9244-225	Reverse rod 0-9244-225	Rückspulenstange 0-9244-225
34	2	S532013409123		PODLOŽKA LOŽISKA	Bearing washer	Lagerscheibe
35	1	S532095209003		ROZPĚRKA	Spacer	Distanzstück
36	1	S532095208993		ROZPĚRKA	Spacer	Distanzstück
37	1	S532192208653		VIČKO LOŽISKA	Bearing cap	Lagersdeckel
38	1	S532093109963		ČEP	Pin	Bolzen
39	1	S532014409333		DRŽÁK TLUMIČE	Dumper holder	Dämpferhalter
40	1	S532080413373		VEDENÍ TÁHLA BRZDY	Brake tie rod guidance	Bremsezugstangesleitung
41	1	S532038162493		PRŮVLAK LANKA UZÁVĚRKY	Hawsepipe of diff-lock	Abschlusssseilnippel
42	1	S532913464003		RÁM OCHRANNÝ	Safety frame	Schutzrahmen
43	1	S532085415923		DEFLEKTOR GC	Deflector GC	Deflektor GC
44	3	N315231230		PRUŽINA 0-9746-487 NUL. POJEZDU	Spring 0-9746-487	Feder 0-9746-487
45	1	N442073006		TRMEN POJISTNÝ 16 DIN 71805 S ZIN	SAFETY U - STRAP 16 DIN 71805 S Z	Sicherungsschelle 16 DIN 71805 S

BOM CONTINUES ON THE FOLLOWING SHEET

FOR DRAWING SEE PREVIOUS SHEET

**KGC09-19-0001**

REV	CHANGES:	BY	DOC NO.	DATE	DO NOT SCALE DRAWING	DIMENSIONING AND TOLERANCING PER ASME Y14.5-2009	BRIGGS & STRATTON CORP.		
-	INITIAL RELEASE	MAD	ECN060896	08/15/19	THIS DOCUMENT IS PROPRIETARY PROPERTY OF BRIGGS & STRATTON CORPORATION DISCLOSED IN CONFIDENCE, WHICH MAY NOT BE USED OR DISCLOSED WITHOUT PERMISSION. RETURN PROMPTLY AFTER USE. UNCONTROLLED DOCUMENT WHEN PRINTED.	CLASSIFICATION OF CHARACTERISTICS	TITLE: BCR3626BVECE		
							MATERIAL: SEE NOTES		
							SIMILAR TO: -	2691744-00	REV. -
							DRW: MAD 8/15/19		SHEET 23 OF 39
						CRITICAL (C):			
						MAJOR (M):			

Katalog : KGC2A-19-0001  
 Skupina : KGC09-19-0001

Goliath Ovládání pojezdu a brzdy

Goliath drive and brake controle

Goliath Fahr-und Bremssteuerung

Pos.	qty	Item number SECO	Item number B&S	Popis	Description	Beschreibung
46	1	N273111060		KROUŽEK 28X1.5 NBR DIN 3770	Ring 28x1,5 NBR DIN3770	Ring 28x1,5 NBR DIN3770
47	6	N315238060		PRUŽNÝ KOLÍK 5X26 ISO 8748		
48	1	N358352009		ELEKTROMAGNET TEMPO.9-8032-214	El.Magnet.Rate 9-8032-214	Elektromagnetischer Tempomat 9-80
49	1	N311732009		POJIST. KROUŽEK 12	Lock ring 12	Sicherungsring 12
50	1	N273151013		POTAH PEDÁLU 0-8832-234	Pedal cover 0-8832-234	Pedalbezug 0-8832-234
51	1	N311732003		POJIST. KROUŽEK 9	SAFETY RING 9	Sicherungsring 9
52	1	N323721020		POUZDRO LOŽISKOVÉ PSM 1214-20	Bearing bushing PSM 1214-20	Lagerbuchse PSM 1214-20
53	1	S532980442013		PEDÁL POJEZDU		
54	1	N273151001		POTAH SL. PEDÁLU 273 151 010 160	Pedal coating 273 151 010 160	Pedalbezug 273 151 010 160
55	2	N324196028		LOŽISKO FM 14M16		
56	1	N311733005	n.a.	POJIST. KROUŽEK 15	Lock ring I5	Sicherungsring I5
58	1	N309503576	n.a.	ŠROUB M 10X70	Screw M 10x70	Schraube M 10x70
59	2	N311150503		MATICE M 8	Nut M 8	Mutter M 8
60	2	N315231042		PRUŽINA TZ 1.6X14.4X56X20 ZINK	Spring TZ 1.6x14.4x56x20 Zinc	Feder TZ 1.6X14.4X56X20 verzinkt
61	1	N309578514		ŠROUB M 6X50 S OKEM BN1006 ZINK	Screw M 6x50 with eye BN1006 Zinc	Schraube M 6X50 S OKEM BN1006 ver
62	1	N532150305		RUKOJEŤ 1066 PR. 16 BLACK	Handle 1066 16 black	Handgriff 1066 PR. 16 schwarz
63	1	N315231234		PRUŽINA 0-9746-490 NAPÍNANÍ POJEZ	Spring 0-9746-490	Feder 0-9746-490
64	1	N532151283		TLUMIČ 621 100 004	Damper 621 100 004	Dämpfer 621 100 004
65	1	N309510003		OKO S METRIC. ZÁVITEM M8X140 ZN	Eye with metric thread M8x140 ZN	Ose mit Meterwindung M8x140 ZN
66	2	N311219496	n.a.	PODLOŽKA 16X22X1 DIN 988 L 07	Washer 16X22X1 DIN 988 L 07	Scheibe 16X22X1 DIN 988 L 07
67	1	S532113404613		DRŽÁK PRUŽINY NAP.	Spring holder	Halter von Spannfeder
68	2	N323721019		POUZDRO LOŽISKOVÉ PSM 1416-25	Bearing bushing PSM 1416-25	Lagerbuchse PSM 1416-25
69	1	N309503544	n.a.	ŠROUB M 8X40	Screw M 8X40	Schraube M 8X40
70	1	S532933252873		ŘEMENICE POJEZDU	Travel pulley	Riemenscheibe von Laufwerk
71	3	N311129502	n.a.	MATICE M 10	Nut M 10	Mutter M 10
72	1	N311210504	n.a.	PODLOŽKA 10.5	Washer 10.5	Scheibe 10.5
73	1	S532075412033		VĚTRÁK ÚPRAVA 4X4	Cooling fan 4X4	Lüfter für 4x4
74	1	N311733015		POJIST. KROUŽEK 26	Safety ring 26	Sicherungsring 26
75	2	N309503575	n.a.	ŠROUB M 6X20 DIN 912 8.8 ZINK	Screw M 6X20 DIN 912 8.8 ZINK	Schraube M 6X20 DIN 912 8.8 ZINK
76	1	N532151282		PŘÍCHYTKA ROP 315X SERIE 0 PR. 18	Clip ROP 315X serie 0 18	Schelle ROP 315X Serie 0 18
77	1	N309503563	n.a.	ŠROUB M 6X40	Screw M 6x40	Schraube M 6x40
78	1	N311129525	n.a.	MATICE M 6 DIN 6926 ZINK	Nut M 6 DIN 6926	Mutter M 6 DIN 6926
79	2	N309503556	n.a.	ŠROUB M 8X55	Screw M5x35	Schraube M 8X55
80	1	N336681020		DRŽÁK TRUBEK 1X PR. 18 DIN 3015	Tube holder	Tutehalter
81	2	N309543525	n.a.	ŠROUB M 6X25	Screw M 6x25	Schraube M 6x25
82	1	N309203548	n.a.	ŠROUB M 5X12	Screw M 5X12	Schraube M 5X12
83	1	N311129524	n.a.	MATICE M 5 DIN 6926 ZINK	Nut M 5 DIN 6926 Zinc	Mutter M 5 DIN 6926 verzinkt
84	1	N442073003		KUL. ČEP 16 DIN71803 C ZINK M 10	Zinc Angle Joint 16Din	Kugelbolzen 16 DIN71803 C ZINK M
85	1	N272731214		KLÍN. ŘEMEN X13X830 LP OPTIBELT	V-Belt 13X830 LP OPTIBELT	Keilriemen X13X830 LP OPTIBELT
86	8	N309501571	n.a.	ŠROUB M 8X80	Screw M8x80	Schraube M 8X80
87	1	N532991058		PŘEVODOVKA K 664 E TUFF TORQ	Transmission K664 E Tuff Torq	Getriebe K664 E Tuff Torq
88	1	S532980365163		PATKA ÚPLNÁ	Foot complete	Schuh voll.
89	1	N315231239		PRUŽINA 0-9746-493 UZAV. DIF.	Spring 0-9746-493 Diff.lock	Feder 0-9746-493 Differenzialsper
90	1	NK00000000		V TOMTO PROVEDENÍ NENÍ POUŽITO	Not used in this performance	Nicht benutzt in dieser Ausführung

BOM CONTINUE OF THE PREVIOUS SHEET  
 BOM CONTINUES ON THE FOLLOWING SHEET

FOR DRAWING SEE SHEET 22  
**KGC09-19-0001**

REV	CHANGES:	BY	DOC NO.	DATE	DO NOT SCALE DRAWING	DIMENSIONING AND TOLERANCING PER ASME Y14.5-2009	BRIGGS & STRATTON CORP.		
-	INITIAL RELEASE	MAD	ECN060896	08/15/19	THIS DOCUMENT IS PROPRIETARY PROPERTY OF BRIGGS & STRATTON CORPORATION DISCLOSED IN CONFIDENCE, WHICH MAY NOT BE USED OR DISCLOSED WITHOUT PERMISSION. RETURN PROMPTLY AFTER USE. UNCONTROLLED DOCUMENT WHEN PRINTED.	CLASSIFICATION OF CHARACTERISTICS	TITLE: BCR3626BVECE		
							MATERIAL: SEE NOTES		
							SIMILAR TO: -	2691744-00	REV.
							DRW: MAD 8/15/19		-
						CRITICAL (C):	SHEET 24 OF 39		
						MAJOR (M):			

Katalog : KGC2A-19-0001  
 Skupina : KGC09-19-0001

Goliath Ovládání pojezdu a brzdy

Goliath drive and brake controle

Goliath Fahr-und Bremssteuerung

Pos.	qty	Item number SECO	Item number B&S	Popis	Description	Beschreibung
91	1	N315231224		PRUŽINA TZ 080.088.0312 ZINK.	Spring TZ 080.088.0312 Zinc	Feder TZ 080.088.0312 verzinkt
92	1	N309503548	n.a.	ŠROUB M 6X20	Screw M 6X20	Schraube M 6X20
93	1	S532929462053		PÁKA KOMPLETNÍ	LEVER - COMPLETE	Hebel kompl.
94	1	N315238049	n.a.	PRUŽNÝ KOLÍK 6X40	Spring pin 6X40	Spannstift 6X40
95	2	N311150504	n.a.	MATICE M 6	Nut M6	Mutter M 6
96	1	N315231236		PRUŽINA 0-9746-488	Spring 0-9746-488	Feder 0-9746-488
97	1	S532097402273		PRUŽINA	Spring	Feder
98	2	N309578009	n.a.	ŠROUB M 8X20 DIN 7500D BN 3326	Screw M8x20 DIN 7500D BN 3326	Schraube M 8X20 DIN 7500D BN 3326
99	5	N309578520	n.a.	ŠROUB M 8X16 DIN 7500D BN 3326	Screw M 8x16 DIN 7500 D BN3326	Schraube M 8x16DIN 7500D BN3326
100	3	N311219525	n.a.	PODLOŽKA 16X28X0.5 DIN 988	Washer 16x28x0.5 DIN 988	Scheibe 16x28x0.5 DIN 988
101	1	N311210502	n.a.	PODLOŽKA 6.4	Washer 6.4	Scheibe 6.4
102	13	N309578517	n.a.	ŠROUB M 6X16 DIN 7500D BN 3326	SCREW M 6X16 DIN 7500D BN 3326	Schraube M 6X16 DIN 7500D BN 3326
103	4	N309503518	n.a.	ŠROUB M 8X20	Screw M8X20	Schraube M 8X20
104	6	N311129501	n.a.	MATICE M 8	Nut M 8	Mutter M 8
105	29	N532150290	n.a.	MATICE M 8 DIN 6926 8 ZINK	Nut M 8 DIN 6926 8 Zinc	Mutter M 8 DIN 6926 8 verzinkt
106	16	N309503512	n.a.	ŠROUB M 8X25	Screw M 8X25	Schraube M 8X25
107	7	N311338501	n.a.	ZÁVLAČKA 2X20	Spindle 2x20	Federsplint 2X20
108	15	N311210503	n.a.	PODLOŽKA 8.4	Washer 8.4	Scheibe 8.4
109	2	N311129513	n.a.	MATICE M 6	Nut M 6	Mutter M 6
110	1	N311733016	n.a.	POJIST. KROUŽEK 28	Lock ring 28	Sicherungsring 28

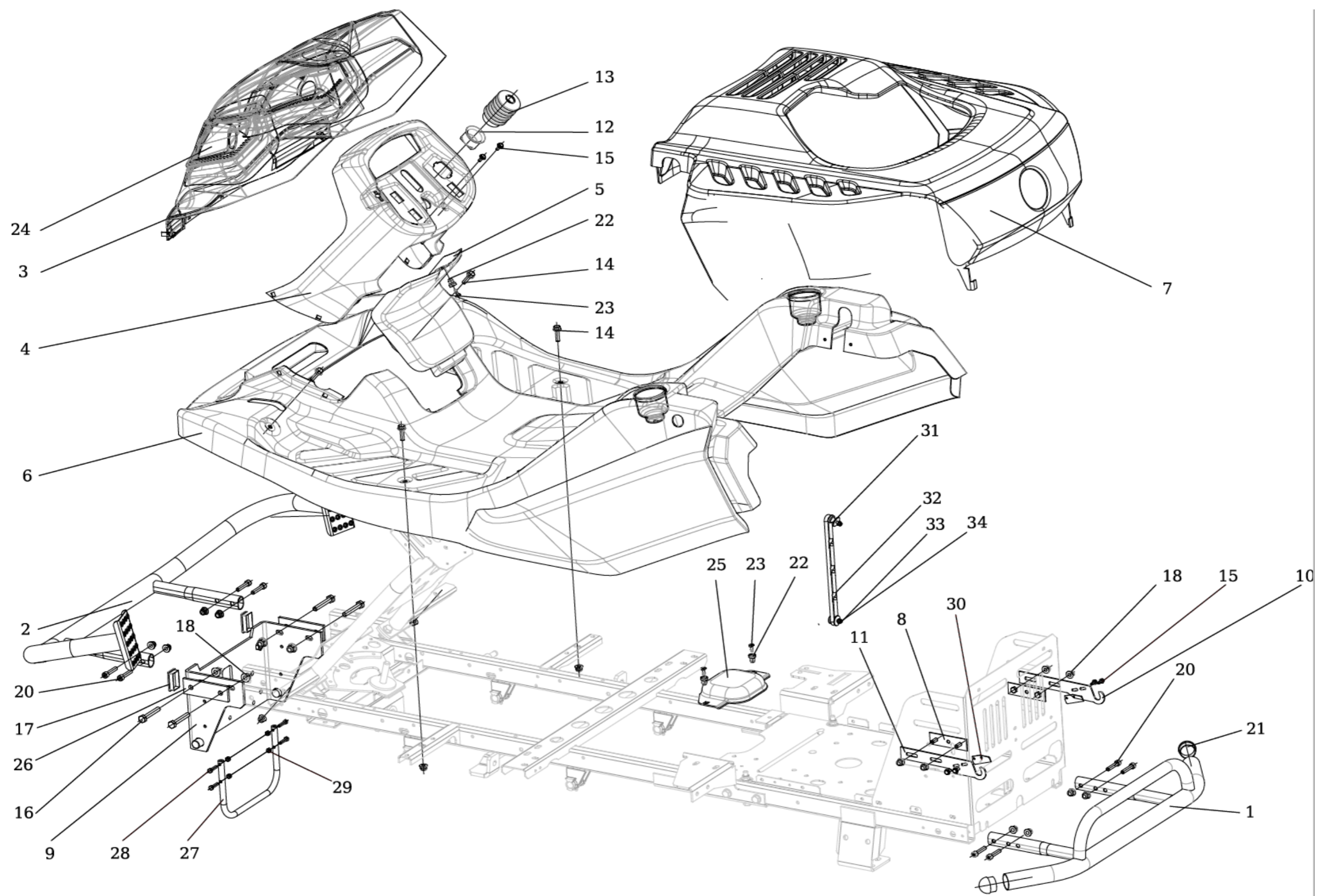
BOM CONTINUE OF THE PREVIOUS SHEET

FOR DRAWING SEE SHEET 22  
**KGC09-19-0001**


REV	CHANGES:	BY	DOC NO.	DATE	DO NOT SCALE DRAWING	DIMENSIONING AND TOLERANCING PER ASME Y14.5-2009	BRIGGS & STRATTON CORP.		
-	INITIAL RELEASE	MAD	ECN060896	08/15/19	THIS DOCUMENT IS PROPRIETARY PROPERTY OF BRIGGS & STRATTON CORPORATION DISCLOSED IN CONFIDENCE, WHICH MAY NOT BE USED OR DISCLOSED WITHOUT PERMISSION. RETURN PROMPTLY AFTER USE. UNCONTROLLED DOCUMENT WHEN PRINTED.	CLASSIFICATION OF CHARACTERISTICS	TITLE: BCR3626BVECE		
							MATERIAL: SEE NOTES		
							SIMILAR TO: -	2691744-00	REV. -
							DRW: MAD 8/15/19		
							CRITICAL (C):	APP: -	
							MAJOR (M):		SHEET 25 OF 39







FOR BOM SEE NEXT SHEET  
**KGC12-19-0001**

REV	CHANGES:	BY	DOC NO.	DATE	DO NOT SCALE DRAWING	DIMENSIONING AND TOLERANCING PER ASME Y14.5-2009	 <b>BRIGGS &amp; STRATTON CORP.</b>		
-	INITIAL RELEASE	MAD	ECN060896	08/15/19	THIS DOCUMENT IS PROPRIETARY PROPERTY OF BRIGGS & STRATTON CORPORATION DISCLOSED IN CONFIDENCE, WHICH MAY NOT BE USED OR DISCLOSED WITHOUT PERMISSION. RETURN PROMPTLY AFTER USE. UNCONTROLLED DOCUMENT WHEN PRINTED.	CLASSIFICATION OF CHARACTERISTICS  CRITICAL (C): MAJOR (M):	TITLE: BCR3626BVECE		REV. -
							MATERIAL: SEE NOTES		
							SIMILAR TO: -	<b>2691744-00</b>	
							DRW: MAD 8/15/19		
							APP: - -		

Katalog : KGC2A-19-0001  
 Skupina : KGC12-19-0001

Goliath kapotáž č.2 - RAL6032

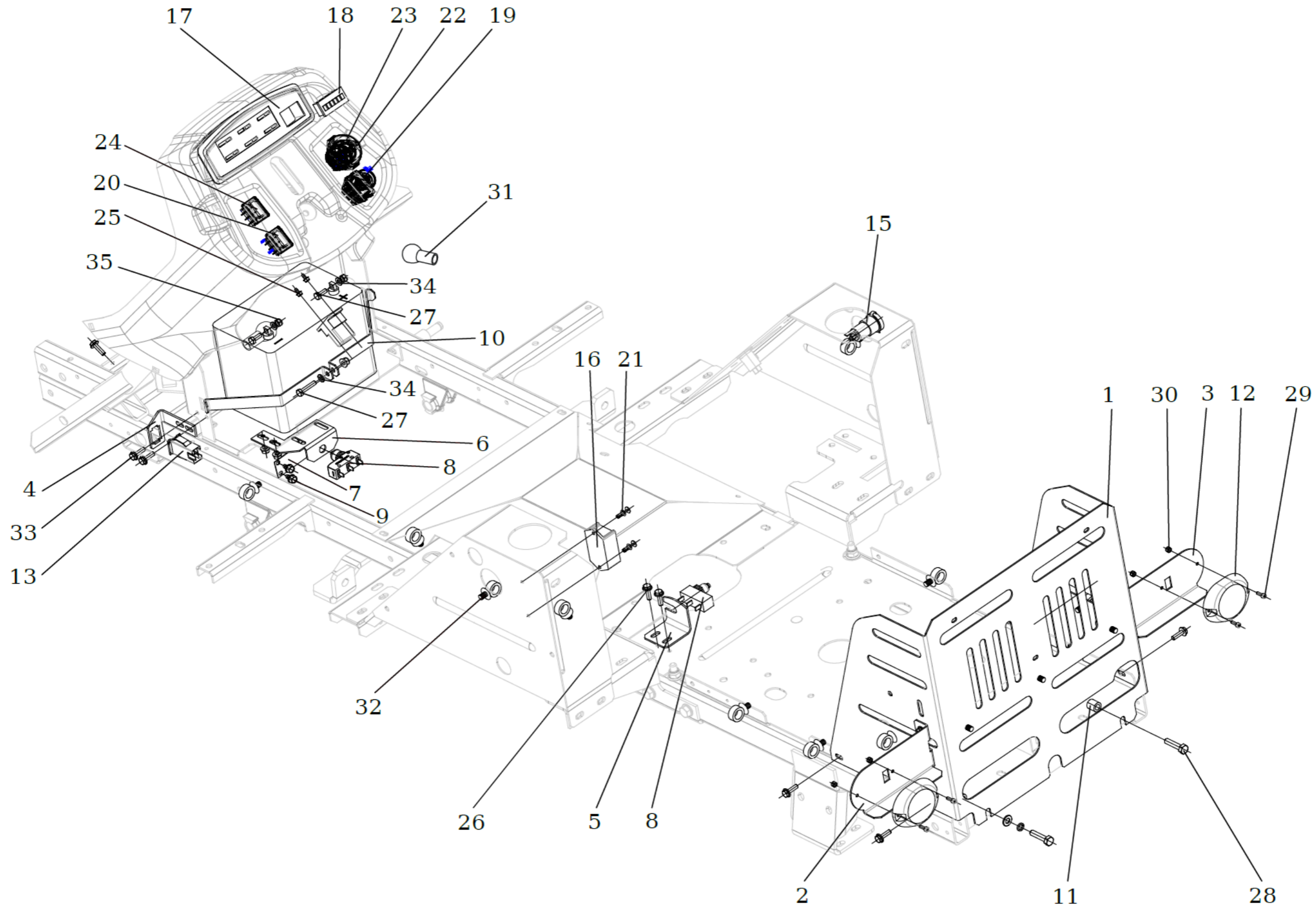
Goliath hood nr.2 - RAL6032

Goliath Motor haube - RAL6032


Pos.	qty	Item number SECO	Item number B&S	Popis	Description	Beschreibung
1	1	S532918462343		NÁRAZNÍK ZADNÍ GC/STŘÍBRNÝ	Bumper rear	Stosstange hintere
2	1	S532918462043		NÁRAZNÍK PŘEDNÍ GC	Bumper front	Stosstange vordere
3	1	N532151690		KAPOTA 9-1849-473 PŘEDNÍ RAL 6032	Hood front 9-1849-473 RAL 6032	Haube vordere 9-1849-473 RAL6032
4	1	N532151476		PANEL 0-8048-271	Panel 0-8048-271	Paneel 0-8048-271
5	1	N532151694		KRYT BATERIE 0-1847-218 RAL 6032	Battery cover 0-1847-218 RAL6032	Batteriedeckel 0-1847-218 RAL6032
6	1	N532151695		PODLAHA 9-1847-303 RAL 6032	Foot floor 9-1847-303 RAL6032	Fußboden 9-1847-303 RAL6032
7	1	N532151703		KRYT MOTORU ÚPLNÝ 9-1847-302 M49	Engine cover compl. 9-1847-302 M49	Motordeckung voll. 9-1847-302M49
8	2	S532914302473		SVORKA	Clip	Klammer
9	1	S532985412753		KRYT ÚPLNÝ	Cover complete	Deckel voll.
10	1	S532013418193		DRŽÁK RÁMU KAPOTY	Hood-frame holder	Hauberahmenhalter
11	1	S532013418193		DRŽÁK RÁMU KAPOTY	Hood-frame holder	Hauberahmenhalter
12	1	N532151286		DRŽÁK PRACHOVKY 0-1847-460	Duster holder 0-1847-460	Staubtuchhalter 0-1847-460
13	1	S532096263753		KRYTKA VOLANTU	Steering wheel cover	Lenkraddeckel
14	4	N309578012	n.a.	ŠROUB M 8X30 DIN 6921 8.8 ZINK	Screw M 8X30 DIN 6921 8.8 Zinc	Schraube M 8X30 DIN 6921 8.8 verz
15	6	N309578517	n.a.	ŠROUB M 6X16 DIN 7500D BN 3326	SCREW M 6X16 DIN 7500D BN 3326	Schraube M 6X16 DIN 7500D BN 3326
16	4	N309503519	n.a.	ŠROUB M 10X60	Screw M 10X60	Schraube M 10X60
17	2	N321841090		ZÁSLEPKA 50X30X3 ČERNÁ	Blind flange 50x30x3 black	Stopfen 50x30x3 schwarz
18	4	N311129523	n.a.	MATICE M 10 DIN 6926 ZINK	Nut M 10 DIN 6926 Zinc	Mutter M 10 DIN 6926 verzinkt
19	16	N532150290	n.a.	MATICE M 8 DIN 6926 8 ZINK	Nut M 8 DIN 6926 8 Zinc	Mutter M 8 DIN 6926 8 verzinkt
20	8	N309543501		ŠROUB M 8X40	Screw M 8x40	Schraube M 8x40
21	2	N321841087		ZÁTKA VYPOUKLÁ 40 MM	Dished plug 40mm	Stopfen gewölbte 40 MM
22	14	N532150903		LŮŽKO D7-201-802-010	Seating D7-201-802-010	Bett D7-201-802-010
23	14	N532150904		CVOK D7-201-711-010	Pin D7-201-711-010	Pinne D7-201-711-010
24	1	N532151328		SKLO KRYCÍ NA SVĚTLO GC PÁR (ND)	Cover glas for reflector	Deckglas auf Licht (ET)
25	1	N532151324		KRYT KLADKY 0-8540-653	Pulley cover 0-8540-653	Rolledeckung 0-8540-653
26	1	S532014309293		PODLOŽKA	Washer	Scheibe
27	1	S532015402013		TRUBKA OCHRANNÁ	Safety tube	Schutzrohr
28	4	N309503543	n.a.	ŠROUB M 8X35	Screw M 8X35	Schraube M 8X35
29	4	N311129501	n.a.	MATICE M 8	Nut M 8	Mutter M 8
30	2	S532013409163		ZARÁŽKA	Stopper	Anschlag
31	1	N273192061		GUMA NAPÍNACÍ ŽEBŘÍK	Rubber tension ladder	Gummi Spannleiter
32	2	N532151498		ČEP NAPÍNACÍ 24X19 MM	Tension pin 24x19 MM	Spannbolzen 24x19 MM
33	2	N309203557	n.a.	ŠROUB M 5X25	Screw M 5X25	Schraube M 5X25
34	2	N311129524	n.a.	MATICE M 5 DIN 6926 ZINK	Nut M 5 DIN 6926 Zinc	Mutter M 5 DIN 6926 verzinkt

FOR DRAWING SEE PREVIOUS SHEET  
**KGC12-19-0001**

REV	CHANGES:	BY	DOC NO.	DATE	DO NOT SCALE DRAWING	DIMENSIONING AND TOLERANCING PER ASME Y14.5-2009	BRIGGS & STRATTON CORP.		
-	INITIAL RELEASE	MAD	ECN060896	08/15/19	THIS DOCUMENT IS PROPRIETARY PROPERTY OF BRIGGS & STRATTON CORPORATION DISCLOSED IN CONFIDENCE, WHICH MAY NOT BE USED OR DISCLOSED WITHOUT PERMISSION. RETURN PROMPTLY AFTER USE. UNCONTROLLED DOCUMENT WHEN PRINTED.	CLASSIFICATION OF CHARACTERISTICS  CRITICAL (C): MAJOR (M):	TITLE: BCR3626BVECE		
							MATERIAL: SEE NOTES		
							SIMILAR TO: -	2691744-00	REV. -
							DRW: MAD 8/15/19		SHEET 29 OF 39
							APP: -		



FOR BOM SEE NEXT SHEET  
KGC13-19-0001

REV	CHANGES:	BY	DOC NO.	DATE	DO NOT SCALE DRAWING	DIMENSIONING AND TOLERANCING PER ASME Y14.5-2009	 <b>BRIGGS &amp; STRATTON CORP.</b>		
-	INITIAL RELEASE	MAD	ECN060896	08/15/19	THIS DOCUMENT IS PROPRIETARY PROPERTY OF BRIGGS & STRATTON CORPORATION DISCLOSED IN CONFIDENCE, WHICH MAY NOT BE USED OR DISCLOSED WITHOUT PERMISSION. RETURN PROMPTLY AFTER USE. UNCONTROLLED DOCUMENT WHEN PRINTED.	CLASSIFICATION OF CHARACTERISTICS  CRITICAL (C): MAJOR (M):	TITLE: BCR3626BVECE		REV. -
							MATERIAL: SEE NOTES		
							SIMILAR TO: -	2691744-00	
							DRW: MAD 8/15/19		
							APP: - -		

Katalog : KGC2A-19-0001  
 Skupina : KGC13-19-0001

Goliath elektrická instalace

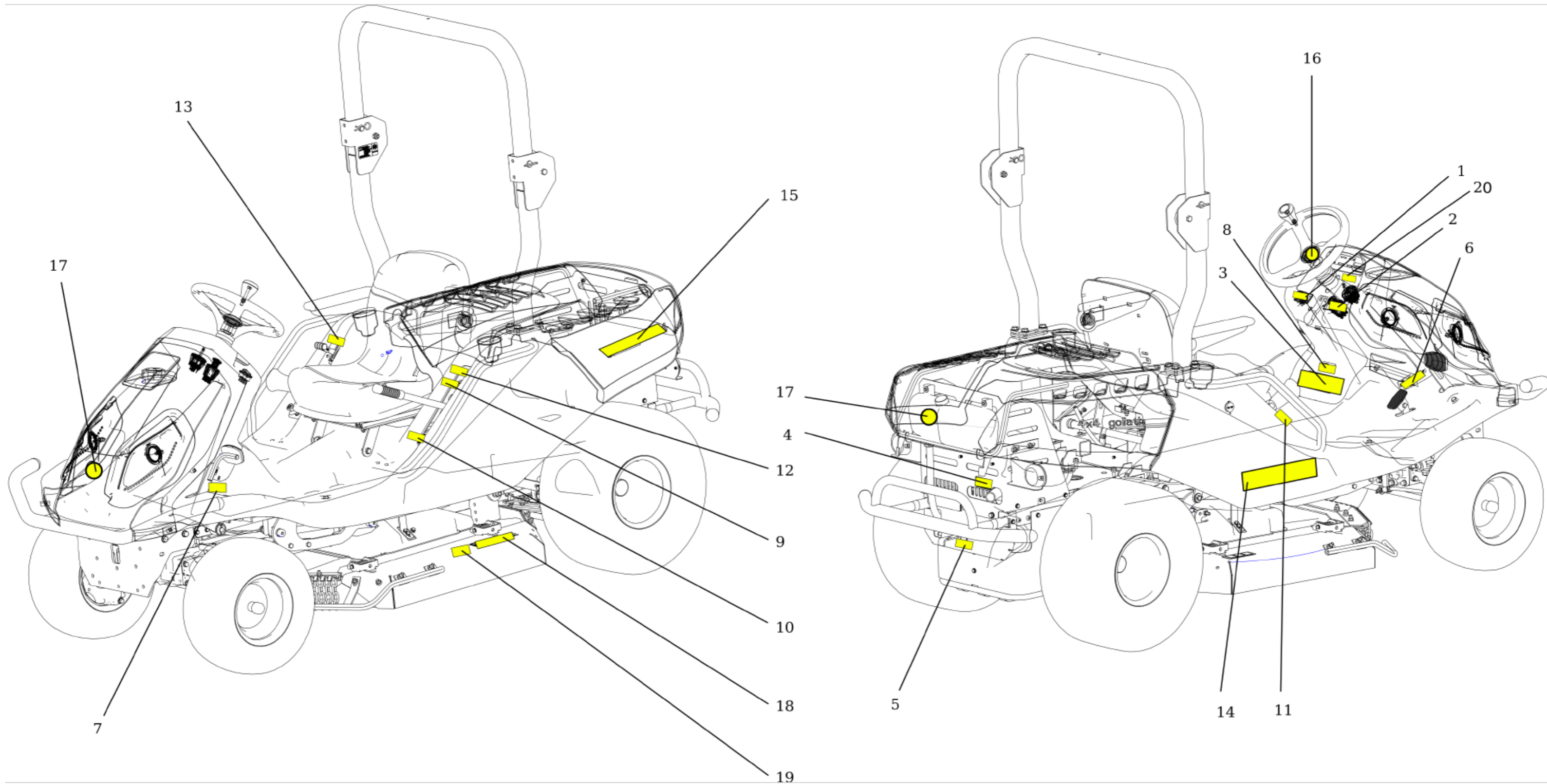
Goliath electrical installation

Goliath Elektroinstalation


Pos.	qty	Item number SECO	Item number B&S	Popis	Description	Beschreibung
1	1	S532085415933		KRYT ZADNÍ	Cover rear	Deckel hinter
2	1	S532013418163		DRŽÁK SVĚTLA LEVÝ	Light holder left	Lichthalter link
3	1	S532013418173		DRŽÁK SVĚTLA PRAVÝ	Light holder right	Lichthalter recht
4	1	S532113408563		DRŽÁK SPÍNAČE	Switch holder	Schalterhalter
5	1	S532113415873		DRŽÁK SPÍNAČE	Switch holder	Schalterhalter
6	1	S532014402193		DRŽÁK SENZORU	Sensor holder	Sensorhalter
7	1	S532097412093		PRUŽINA NEUTRÁLU	Neutral spring	Neutralfeder
8	2	N345359004		MIKROSPÍNAČ MK H12D12-S1	Microswitch MKH 12 D 13-S1	Mikroschalter MKH 12 D 13-S1
9	4	N309578545	n.a.	ŠROUB M 6X10 DIN 7500D BN 3326	Screw M 6x10 DIN 7500 D	Schraube M 6x10 DIN 7500 D
10	2	S532113408583		PŘÍCHYTKA BATERIE	Battery clamp	Batterieschelle
11	2	S532195203473		ROZPĚRNÝ KROUŽEK	Spacer ring	Zwischenring
12	2	N341271208		SVĚTLO ZADNÍ KS004096	Light rear KS004096	Licht hinter KS004096
13	1	N532150994		SPÍNAČ DELTA 6700-01B	Switch DELTA 6700-01B	Schalter DELTA 6700-01B
14	1	NK00000000		V TOMTO PROVEDENÍ NENÍ POUŽITO	Not used in this performance	Nicht benutzt in dieser Ausführung
15	1	N345211059		AUTOZÁSUVKA 4800128	Power outlet 4800128	Autosteckdose 4800128
16	1	N443116002		SOFT START 5219-278-002	Soft start module 5219-278-002	Soft-start Module 5219-278-002
17	1	N443433009		DISPLAY KS004078	Display KS004078	Display KS004078
18	1	N443433003		MOTOHODINY SEN DEC DIGITAL	Hour-meter SEN DEC DIGITAL	Stundenzähler SEN DEC DIGITAL
19	1	N345329023		SPÍNAČ VDD2S001 9ZZCR 100	Switch VDD2S001 9ZZCR 100	Schalter VDD2S001 9ZZCR 100
20	1	N345329017		SPÍNAČ 1934.3112	Contact	Schalter 1934.3112 AUT. MAN.
21	2	N532151116		NYT PLASTOVÝ 282702	Rivet 282702	Niete plastik 282702
22	1	N443861007		SPÍNAČÍ SKŘÍŇKA DELTA 6900-47 P	Switch box Delta 6900-47 P	Zündkasten DELTA 6900-47 P
23	1	N443900137		KLÍČEK STARTOVACÍ DELTA 688P-001	Starting key DELTA 688P-001	Startschlüssel DELTA 688P-001
24	1	N345329025		SPÍNAČ 1932.3413	Switch 1932.3413	Schalter 1932.3413
25	2	N309578544	n.a.	ŠROUB M 5X12 DIN 7500D BN 3326	Screw M 5x12 DIN 7500D BN3326	Schraube M 5x12 DIN 7500D BN3326
26	2	N309503508	n.a.	ŠROUB M 6X16	Screw M6X16	Schraube M 6X16
27	1	N309503563	n.a.	ŠROUB M 6X40	Screw M 6x40	Schraube M 6x40
28	2	N309578518	n.a.	ŠROUB M 8X30 DIN 7500D BN 3326	Screw M8X30 DIN 7500D BN 3326	Schraube M 8X30 DIN 7500D BN 3326
29	4	N309543503	n.a.	ŠROUB M 4X12	Screw M 4x12	Schraube M 4x12
30	4	N311129514	n.a.	MATICE M 4	Nut M4	Mutter M 4
31	2	N273125006		KRYTKA 273 125 020 050	Cover 273 125 020 050	Abdeckung 273 125 020 050
32	14	N532150211		KLIP PLASTOVÝ 282 432	Clip WSBH 1-0-1	Clip plastik 282 432
33	25	N309578517	n.a.	ŠROUB M 6X16 DIN 7500D BN 3326	SCREW M 6X16 DIN 7500D BN 3326	Schraube M 6X16 DIN 7500D BN 3326
34	3	N311210502	n.a.	PODLOŽKA 6.4	Washer 6.4	Scheibe 6.4
35	3	N311129525	n.a.	MATICE M 6 DIN 6926 ZINK	Nut M 6 DIN 6926	Mutter M 6 DIN 6926

FOR DRAWING SEE PREVIOUS SHEET  
**KGC13-19-0001**

REV	CHANGES:	BY	DOC NO.	DATE	DO NOT SCALE DRAWING	DIMENSIONING AND TOLERANCING PER ASME Y14.5-2009	BRIGGS & STRATTON CORP.		
-	INITIAL RELEASE	MAD	ECN060896	08/15/19	THIS DOCUMENT IS PROPRIETARY PROPERTY OF BRIGGS & STRATTON CORPORATION DISCLOSED IN CONFIDENCE, WHICH MAY NOT BE USED OR DISCLOSED WITHOUT PERMISSION. RETURN PROMPTLY AFTER USE. UNCONTROLLED DOCUMENT WHEN PRINTED.	CLASSIFICATION OF CHARACTERISTICS	TITLE: BCR3626BVECE		
							MATERIAL: SEE NOTES		
							SIMILAR TO: -	2691744-00	REV. -
							DRW: MAD 8/15/19		SHEET 31 OF 39
						CRITICAL (C):			
						MAJOR (M):			



FOR BOM SEE NEXT SHEET  
**KGC14-19-0001**


REV	CHANGES:	BY	DOC NO.	DATE	DO NOT SCALE DRAWING	DIMENSIONING AND TOLERANCING PER ASME Y14.5-2009	 <b>BRIGGS &amp; STRATTON CORP.</b>		
-	INITIAL RELEASE	MAD	ECN060896	08/15/19	THIS DOCUMENT IS PROPRIETARY PROPERTY OF BRIGGS & STRATTON CORPORATION DISCLOSED IN CONFIDENCE, WHICH MAY NOT BE USED OR DISCLOSED WITHOUT PERMISSION. RETURN PROMPTLY AFTER USE. UNCONTROLLED DOCUMENT WHEN PRINTED.	CLASSIFICATION OF CHARACTERISTICS  CRITICAL (C): MAJOR (M):	<b>TITLE:</b> BCR3626BVECE		<b>REV.</b> -
							<b>MATERIAL:</b> SEE NOTES		
							<b>SIMILAR TO:</b> -	<b>2691744-00</b>	
							<b>DRW:</b> MAD 8/15/19		
							<b>APP:</b> - -		

Katalog : KGC2A-19-0001  
 Skupina : KGC14-19-0001

Goliath Decals

Pos.	qty	Item number SECO	Item number B&S	Popis	Description	Beschreibung
1	1	N283292958			LABEL 1-8732-327 CRUISE CONTROL	
2	1	N283292959			LABEL 1-8732-328 CONTROL	
3	1	N283292228			LABEL 0-8732-336 SAFETY INSTRUCTIONS	
4	1	N283292223			LABEL 0-8732-337 SAFETY INSTRUCTIONS	
5	1	N283292414			LABEL 0-8732-523 BYPASS 0-1	
6	1	N283292327			LABEL 0-8732-444 DRIVING	
7	1	N283293029			LABEL 1-8732-363 BRAKE	
8	1	N283293093			LABEL 0-8732-531 SLOPE 22	
9	1	N283292951			LABEL 1-8732-257 LIFT MAX	
10	1	N283292952			LABEL 1-8732-256 LIFT MIN	
11	1	N283292953			LABEL 1-8732-259 DIFF. LOCK	
12	1	N283292954			LABEL 1-8732-258 TRANSPORT POSITION	
13	1	N283292408			LABEL 0-8732-482 SPEED	
14	2	N283293542			LABEL 1-8732-783 HOOD GC BILLY GOAT 4X4	
15	2	N283293538			LABEL 1-8732-775 HOOD BILLY BILLY GOAT	
16	1	N283293539			LABEL 1-8732-774 D. 38 BILLY BILLY GOAT	
17	2	N283293540			LABEL 1-8732-773 D. 90 BILLY BILLY GOAT	
18	1	N283292437			LABEL 0-8732-559 NOICE 100dB	
19	2	N283292121			LABEL 0-8730-510 SAFETY	
20	1	N283293172			LABEL 0-8732-332 REVERSE	

FOR DRAWING SEE PREVIOUS SHEET  
**KGC14-19-0001**

REV	CHANGES:	BY	DOC NO.	DATE	DO NOT SCALE DRAWING	DIMENSIONING AND TOLERANCING PER ASME Y14.5-2009	 BRIGGS & STRATTON CORP.		
-	INITIAL RELEASE	MAD	ECN060896	08/15/19	THIS DOCUMENT IS PROPRIETARY PROPERTY OF BRIGGS & STRATTON CORPORATION DISCLOSED IN CONFIDENCE, WHICH MAY NOT BE USED OR DISCLOSED WITHOUT PERMISSION. RETURN PROMPTLY AFTER USE. UNCONTROLLED DOCUMENT WHEN PRINTED.	CLASSIFICATION OF CHARACTERISTICS	TITLE: BCR3626BVECE		
							MATERIAL: SEE NOTES		
							SIMILAR TO: -	2691744-00	REV. -
							DRW: MAD 8/15/19		
							MAJOR (M):	APP: - -	SHEET 33 OF 39



Katalog : KGC2A-19-0001  
 Skupina : KGC15-14-0001

Goliath ochranný rám ROPS

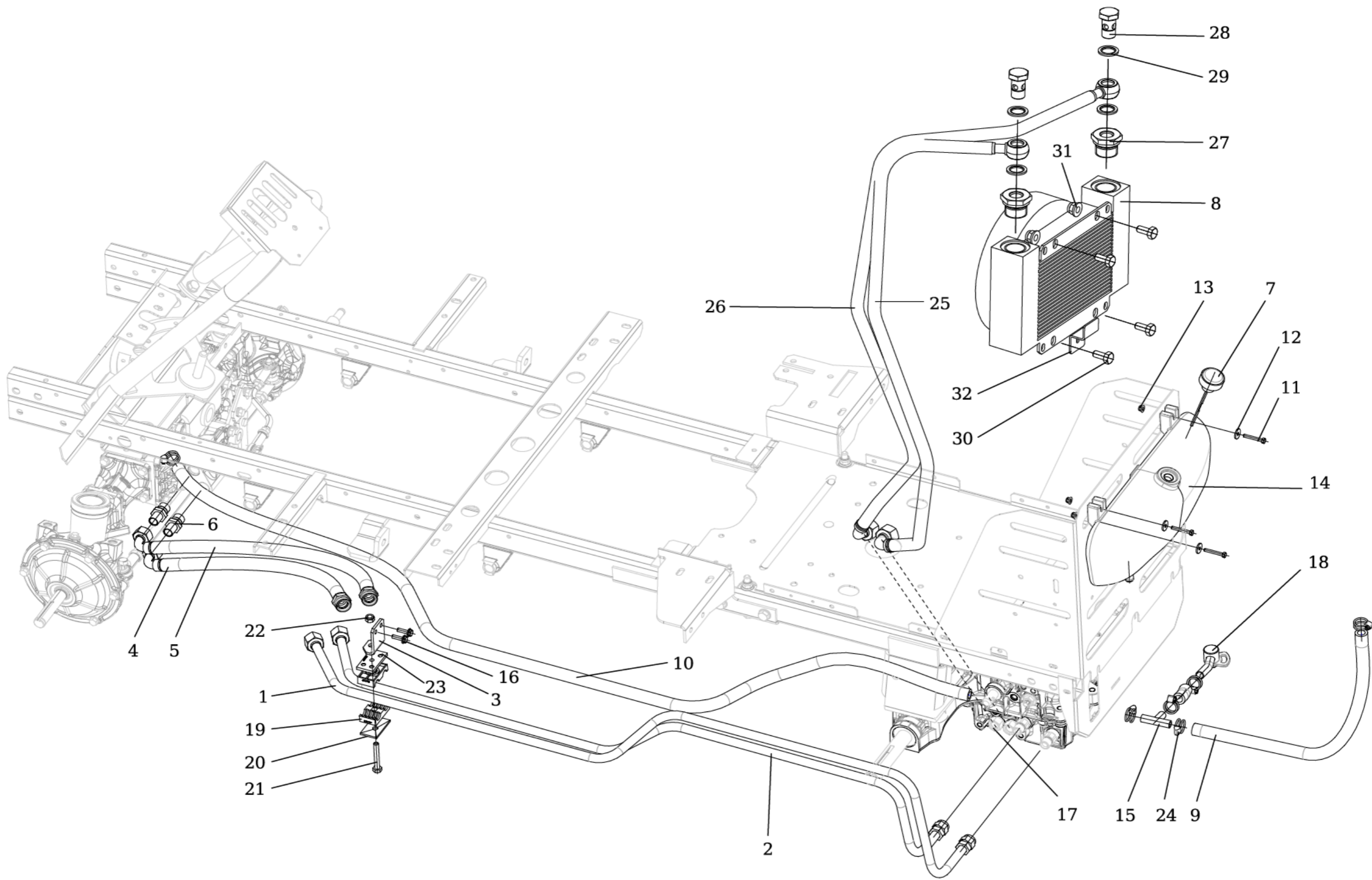
Goliath safety frame ROPS

Goliath Überollbügel ROPS


Pos.	qty	Item number SECO	Item number B&S	Popis	Description	Beschreibung
1	1	S532985423933		ZÁKLADNA ROPS ÚPLNÁ	ROPS base complete	ROPS Base kompl.
2	1	S532985423913		STOJINA ROPS PRAVÁ/STŘÍBRNÁ	Web ROPS right	Stiel ROPS recht
3	1	S532985423903		STOJINA ROPS LEVÁ/STŘÍBRNÁ	Web ROPS left	Stiel ROPS link
4	1	S532985423943		RÁM ROPS SKLOPNÝ/STŘÍBRNÝ	ROPS folding frame	ROPS Kipprahmen
5	1	S532013425913		MADLO LEVÉ GC/STŘÍBRNÉ	Handle left GC	Handgriff link GC
6	1	S532013425923		MADLO PRAVÉ GC/STŘÍBRNÉ	Handle right GC	Handgriff recht GC
7	2	S532993463303		ČEP ROPS ÚPLNÝ	Pin ROPS complete	Bolzen ROPS voll.
8	2	N309503568	n.a.	ŠROUB M 8X65	Screw M 8x65	Schraube M 8x65
9	2	N309503502	n.a.	ŠROUB M 10X25	Screw M 10X25	Schraube M 10X25
10	4	N311129523	n.a.	MATICE M 10 DIN 6926 ZINK	Nut M 10 DIN 6926 Zinc	Mutter M 10 DIN 6926 verzinkt
11	2	N309503576	n.a.	ŠROUB M 10X70	Screw M 10x70	Schraube M 10x70
12	2	N311129502	n.a.	MATICE M 10	Nut M 10	Mutter M 10
13	4	N309503533	n.a.	ŠROUB M 8X50	Screw M 8x50	Schraube M 8X50
14	2	N309543011	n.a.	ŠROUB M 8X45 8.8 A2L ISO 4762	Screw M 8x45 8.8 A2L ISO 4762	Schraube M 8X45 8.8 A2L ISO 4762
15	6	N311212517	n.a.	PODLOŽKA 9 ZINK.	Washer 9 Zinc	Scheibe 9 verzinkt
16	2	N315238005		PRUŽNÁ ZÁVLAČKA 0-9245-233	Flexible spindle 0-9245-233	Federsplint elastisch 0-9245-233
17	8	N309578529		ŠROUB M 10X25 KL100 RIPP V.DACROM	Screw M10X25KL100 Ripp. V. DACROM	Schraube M 10X25KL100 RIPP V. DAC
18	8	N532150290	n.a.	MATICE M 8 DIN 6926 8 ZINK	Nut M 8 DIN 6926 8 Zinc	Mutter M 8 DIN 6926 8 verzinkt
19	1	S532086304103		NÁKLONOMĚR PODÉLNÝ	Tilt meter axial	Längsschiefmesser
20	1	S532086304113		NÁKLONOMĚR PŘÍČNÝ	Tilt meter cross	Querschiefmesser
21	1	N283293016		SAM. NÁL. 0-8730-294 PODÉLNÝ	Label 0-8730-294 lengthwise	Aufkleber 0-8730-294 Längs
22	1	N283293017		SAM. NÁL. 0-8730-295 PŘÍČNÝ	Label 0-8730-295 cross	Aufkleber 0-8730-295
23	1	N309578517	n.a.	ŠROUB M 6X16 DIN 7500D BN 3326	SCREW M 6X16 DIN 7500D BN 3326	Schraube M 6X16 DIN 7500D BN 3326
24	2	N311214501	n.a.	PODLOŽKA 6	Washer 6	Scheibe 6
25	1	S532095209023		ROZPĚRKA	Spacer	Distanzstück
26	1	N309578541	n.a.	ŠROUB M 10X16 BN1206 10.9	Screw M 10x16 BN1206 10.9	Schraube M 10x16 BN1206 10.9
27	2	N548712042		TĚSN. KROUŽEK MVQ 15X4	Sealing ring MVQ 15x4	Dichtring MVQ 15x4

FOR DRAWING SEE PREVIOUS SHEET  
**KGC15-14-0001**

REV	CHANGES:	BY	DOC NO.	DATE	DO NOT SCALE DRAWING	DIMENSIONING AND TOLERANCING PER ASME Y14.5-2009	BRIGGS & STRATTON CORP.		
-	INITIAL RELEASE	MAD	ECN060896	08/15/19	THIS DOCUMENT IS PROPRIETARY PROPERTY OF BRIGGS & STRATTON CORPORATION DISCLOSED IN CONFIDENCE, WHICH MAY NOT BE USED OR DISCLOSED WITHOUT PERMISSION. RETURN PROMPTLY AFTER USE. UNCONTROLLED DOCUMENT WHEN PRINTED.	CLASSIFICATION OF CHARACTERISTICS	TITLE: BCR3626BVECE		
							MATERIAL: SEE NOTES		
							SIMILAR TO: -	2691744-00	REV. -
							DRW: MAD 8/15/19		
							CRITICAL (C):	APP: -	SHEET 35 OF 39
					MAJOR (M):				



FOR BOM SEE NEXT SHEET  
KGC19-15-0001

REV	CHANGES:	BY	DOC NO.	DATE	DO NOT SCALE DRAWING	DIMENSIONING AND TOLERANCING PER ASME Y14.5-2009	 <b>BRIGGS &amp; STRATTON CORP.</b>		
-	INITIAL RELEASE	MAD	ECN060896	08/15/19	THIS DOCUMENT IS PROPRIETARY PROPERTY OF BRIGGS & STRATTON CORPORATION DISCLOSED IN CONFIDENCE, WHICH MAY NOT BE USED OR DISCLOSED WITHOUT PERMISSION. RETURN PROMPTLY AFTER USE. UNCONTROLLED DOCUMENT WHEN PRINTED.	CLASSIFICATION OF CHARACTERISTICS  CRITICAL (C): MAJOR (M):	TITLE: BCR3626BVECE		REV. -
							MATERIAL: SEE NOTES		
							SIMILAR TO: -	2691744-00	
							DRW: MAD 8/15/19		
							APP: - -		

Katalog : KGC2A-19-0001  
 Skupina : KGC19-15-0001

Goliath hydr.distribuce +chladič

Goliath hydr.distribution+cooler

Hydraulische Verteilung

Pos.	qty	Item number SECO	Item number B&S	Popis	Description	Beschreibung
1	1	N532151272		TRUBKA SPODNÍ ÚPLNÁ 9-7446-214	Tube bottom compl. 9-7446-214	Tute untere voll. 9-7446-214
2	1	N532151273		TRUBKA HORNÍ ÚPLNÁ 9-7446-215	Tube upper compl. 9-7446-215	Tute obere voll. 9-7446-215
3	1	S532013425983		DRŽÁK TRUBEK	Tube holder	Rohrhalter
4	1	N336631110		HYDRAULICKÁ HADICE DN 12-500	Hydraulic hose DN 12-500	Hydr.Schlauch DN 12-500
5	1	N336631111		HYDRAULICKÁ HADICE 9-8236-205	Hydraulic hose DN 12-520	Hydr.Schlauch DN 12-520
6	2	N336681010		HRDLO XAL 15-3/4 UNF WD	Throat XAL 15-3/4 UNF WD	Muffe XAL 15-3/4 UNF WD
7	1	N532150766		ZÁTKA 1-9310-763	stop gap 1-9310-763	Stopfen 1-9310-763
8	1	N443511003		CHLADIČ LL 02 12V	Hose exp. tank GC	Schlauch von Expansionstank GC
9	1	S532082204263		HADICE EXP. NÁDRŽ GC	Hose exp. GC	Schlauch Exp. GC
10	1	S532082204253		HADICE EXP. PŘEV. GC	Screw M 5X35	Schraube M 5X35
11	3	N309203556	n.a.	ŠROUB M 5X35	Washer 5.5 Zinc	Scheibe 5.5 verzinkt
12	3	N311212518	n.a.	PODLOŽKA 5.5 ZINK.	Nut M 5 DIN 6926 Zinc	Mutter M 5 DIN 6926 verzinkt
13	3	N311129524	n.a.	MATICE M 5 DIN 6926 ZINK	Tank 0-2766-217	Benzintank 0-2766-217 EXP.
14	1	N232130017		NÁDRŽ 0-2766-217 EXP. 2.1L	Clip TS 13	Lasche TS 13 plastik
15	1	N532151101		SPOJKA TS 13 PLAST	SCREW M 6X16 DIN 7500D BN 3326	Schraube M 6X16 DIN 7500D BN 3326
16	2	N309578517	n.a.	ŠROUB M 6X16 DIN 7500D BN 3326	Throat 9/16-18 UNF/M18x1.5DIN2353	Muffe 9/16-18 UNF/M18X1.5DIN2353F
17	2	N336681015		HRDLO 9/16-18 UNF/M18X1.5DIN2353F	Throat complete 9-8246-209	Hals kompl. 9-8246-210
18	1	N532991060		HRDLO ÚPLNÉ 9-8246-210	Tube holder double	Tutedoppelhalter
19	1	N336681016		DRŽÁK TRUBEK DVOJITÝ PR.15 SERIE	Covering board 2 M8 Zn DIN3015	Deckplatte 2 M8 Zn DIN3015
20	1	N336681017		DESKA KRYCÍ VEL.2 M8 ZINK.DIN3015	Screw M5x35	Schraube M 8X55
21	1	N309503556	n.a.	ŠROUB M 8X55	Nut M 8 DIN 6926 8 Zinc	Mutter M 8 DIN 6926 8 verzinkt
22	1	N532150290	n.a.	MATICE M 8 DIN 6926 8 ZINK	Hard-surface board 2 M8 Zn	Vorschweissplatte 2 M8 Zn
23	1	N336681018		DESKA NAVAŘOVACÍ VEL.2 M8 ZINK	Wire screw-in clip W19-22mm	Schraubdrahtklammer W19-22MM
24	6	N548241022		SPONA DRÁTĚNÁ ŠROUBOVACÍ W19-22MM	Hydraulic hose 9-8236-201	Hydraulikschlauch 9-8236-201
25	1	N336631113		HYDR. HADICE 9-8236-201	Hydraulic hose 9-8236-202	Hydraulikschlauch 9-8236-202
26	1	N336631114		HYDR. HADICE 9-8236-202	Reduction G 3/4" - G 3/8"	Reduktion G 3/4" - G 3/8"
27	2	N336681021		REDUKCE G 3/4"- G 3/8"	Flow screw G 3/8	Durchflussschraube G 3/8
28	2	N336681009		PRŮTOKOVÝ ŠROUB G 3/8	Seal G 3/8"	Dichtung G 3/8"
29	4	N336681022		TĚSNĚNÍ G 3/8"	Screw M 8X16	Schraube M 8X16
30	4	N309503517	n.a.	ŠROUB M 8X16	Nut M 8 DIN 6926 8 Zinc	Mutter M 8 DIN 6926 8 verzinkt
31	4	N532150290	n.a.	MATICE M 8 DIN 6926 8 ZINK	Exp. Tank holder	Expansionstankhalter
32	1	S532014402233		DRŽÁK EXP. NÁDRŽE		

FOR DRAWING SEE PREVIOUS SHEET  
**KGC19-15-0001**

REV	CHANGES:	BY	DOC NO.	DATE	DO NOT SCALE DRAWING	DIMENSIONING AND TOLERANCING PER ASME Y14.5-2009	BRIGGS & STRATTON CORP.		
-	INITIAL RELEASE	MAD	ECN060896	08/15/19	THIS DOCUMENT IS PROPRIETARY PROPERTY OF BRIGGS & STRATTON CORPORATION DISCLOSED IN CONFIDENCE, WHICH MAY NOT BE USED OR DISCLOSED WITHOUT PERMISSION. RETURN PROMPTLY AFTER USE. UNCONTROLLED DOCUMENT WHEN PRINTED.	CLASSIFICATION OF CHARACTERISTICS  CRITICAL (C): MAJOR (M):	TITLE: BCR3626BVECE		
							MATERIAL: SEE NOTES		
							SIMILAR TO: -	2691744-00	REV.
							DRW: MAD 8/15/19		-
						APP: -	SHEET 37 OF 39		

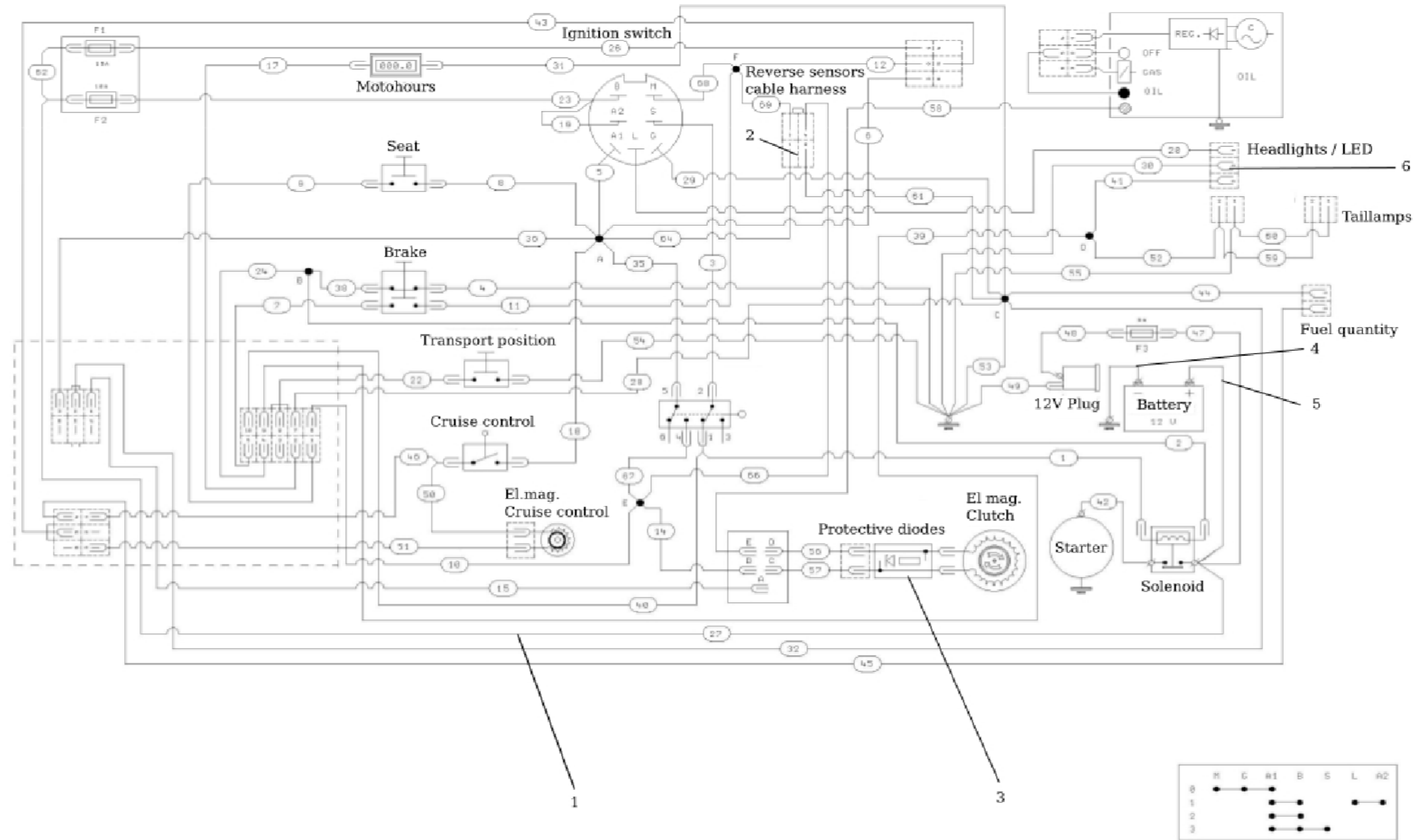
Katalog : KGC2A-19-0001  
 Skupina : KGC20-19-0001

Goliath el. schema KS004125

Goliath wiring diagram KS004125

Goliath Elektro-Schema KS004125

Pos.	qty	Item number SECO	Item number B&S	Popis	Description	Beschreibung
1	1	N341271218		SVAZEK EL. VODIČŮ KS004125	Wiring harness KS004125	Kabelbündel KS004125
2	1	N341271193		SVAZEK SPÍNAČŮ KS004081	Switches harness KS 004081	Schaltersbündel KS004081
3	1	N341271052		SVAZEK OCHRAN. DIOD 9-8316-571	Protective diodes harness 9-8316-	Schutzdiodenbund 9-8316-571
4	1	N341271175		VODIČ 9-8316-626 MÍNUS	Conductor 9-8316-626 minus	Draht 9-8316-626 minus
5	1	N341271176		VODIČ 9-8316-625 PLUS	Conductor 9-8316-625 plus	Draht 9-8316-625 plus
6	1	N341271177		SVAZEK PŘ. SVĚTEL KS004054	Wiring harness KS004054	Kabelbündel KS004054



KGC20-19-0001

REV	CHANGES:	BY	DOC NO.	DATE	DO NOT SCALE DRAWING	DIMENSIONING AND TOLERANCING PER ASME Y14.5-2009	BRIGGS & STRATTON CORP.		
-	INITIAL RELEASE	MAD	ECN060896	08/15/19	THIS DOCUMENT IS PROPRIETARY PROPERTY OF BRIGGS & STRATTON CORPORATION DISCLOSED IN CONFIDENCE, WHICH MAY NOT BE USED OR DISCLOSED WITHOUT PERMISSION. RETURN PROMPTLY AFTER USE. UNCONTROLLED DOCUMENT WHEN PRINTED.	CLASSIFICATION OF CHARACTERISTICS CRITICAL (C): MAJOR (M):	TITLE: BCR3626BVECE		
							MATERIAL: SEE NOTES		
							SIMILAR TO: -	2691744-00	REV. -
							DRW: MAD 8/15/19		
							APP: -		SHEET 38 OF 39

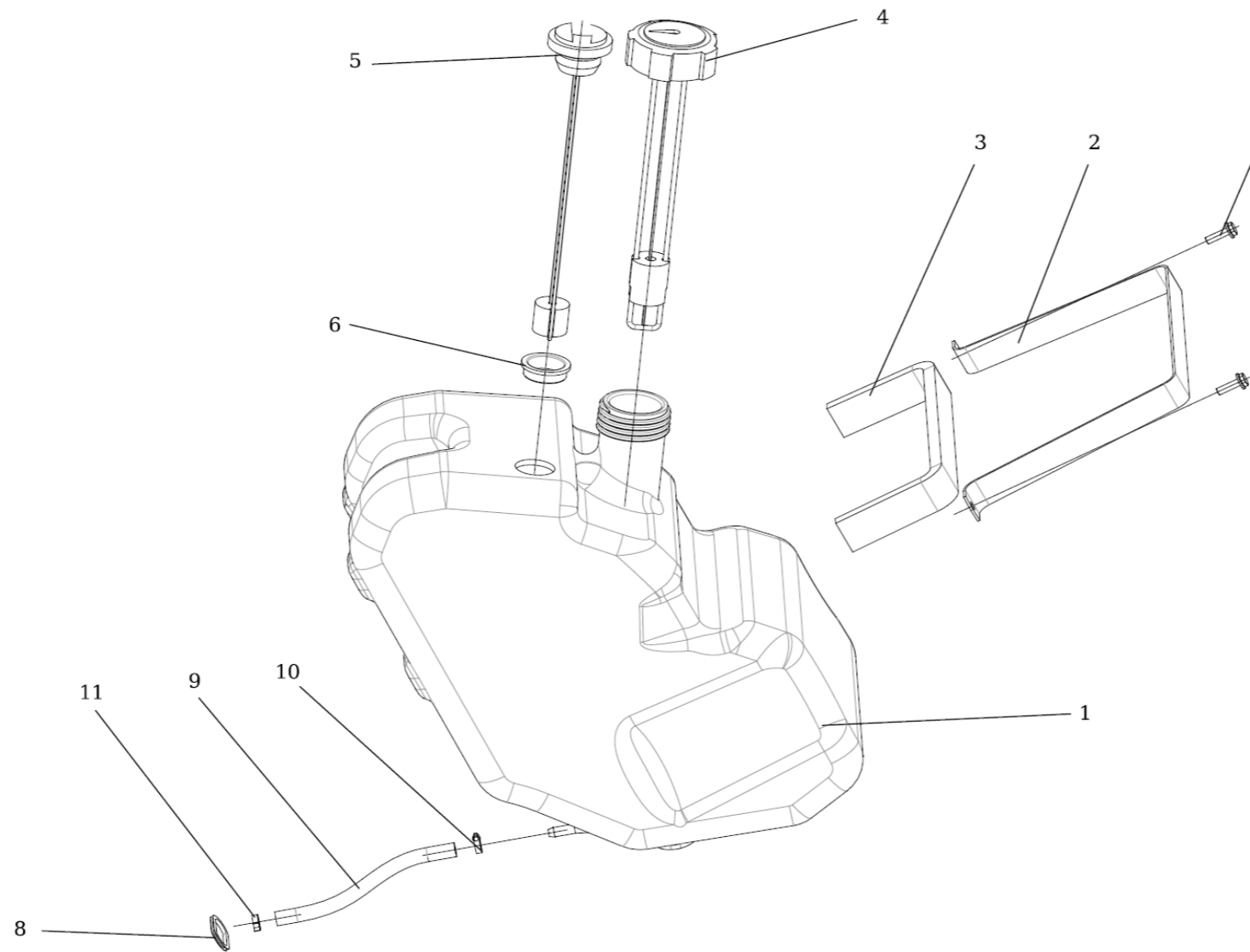
Katalog : KGC2A-19-0001  
 Skupina : KGC21-13-0001

Goliath palivová nádrž

Goliath fuel tank

Goliath Benzintank

Pos.	qty	Item number SECO	Item number B&S	Popis	Description	Beschreibung
1	1	N232130022		NÁDRŽ 0-2766-221 GC 15.2L	Fuel tank 0-2766-221 GC	Benzintank 0-2766-221 GC
2	1	S532013418183		PÁSEK NÁDRŽE	Tank belt	Tankband
3	1	S532092304283		PÁSEK GUMOVÝ L 400	Rubber belt L 400	Gummiband L 400
4	1	N532151284		VÍČKO NÁDRŽE S MĚRIDLEM L=10.5	Tank cap with fuel gauge L=10.5	Tankdeckel mit Messwerk L=10.5
5	1	N443422005		SENZOR REZERVY E-SENZOR 100	Reserve senzor E-Senzor 100	Reservefühler E-Senzor 100
6	1	N273192053		TĚSNĚNÍ GROMET 201428	Sealing Gromet 201428	Dichtung Gromet 201428
7	2	N309578538	n.a.	ŠROUB M 6X20 DIN 7500D BN 3326	Screw M 6x20 DIN 7500	Schraube M 6x20 DIN 7500
8	1	N273121029		PRYŽ. PRŮCHODKA 22X4	Rubber sleeve 22X4	Gummidurchführung 22X4
9	1	S532986018013		PALIVOVÁ HADIČKA PRO ND GC	Fuel hose GC	Kraftstoffschlauch
10	1	N548241017	n.a.	HADIC. SPONA 8-12 NORMA ZINK	Hose clip 8-12 Zinc	Schlauchbinder 8-12 verzinkt
11	1	N000532058	n.a.	SPONA UM 5008 PĚROVÁ W1 12-15MM	Clip UM 5008	Klammer UM 5008



KGC21-13-0001

REV	CHANGES:	BY	DOC NO.	DATE	DO NOT SCALE DRAWING	DIMENSIONING AND TOLERANCING PER ASME Y14.5-2009	BRIGGS & STRATTON CORP.		
-	INITIAL RELEASE	MAD	ECN060896	08/15/19	THIS DOCUMENT IS PROPRIETARY PROPERTY OF BRIGGS & STRATTON CORPORATION DISCLOSED IN CONFIDENCE, WHICH MAY NOT BE USED OR DISCLOSED WITHOUT PERMISSION. RETURN PROMPTLY AFTER USE. UNCONTROLLED DOCUMENT WHEN PRINTED.	CLASSIFICATION OF CHARACTERISTICS CRITICAL (C): MAJOR (M):	TITLE: BCR3626BVECE		
							MATERIAL: SEE NOTES		
							SIMILAR TO: -	2691744-00	REV. -
							DRW: MAD 8/15/19		
							APP: -		SHEET 39 OF 39