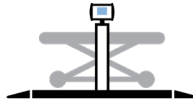




# DETECTO®

*www.Detecto.com*



**STRETCHER**  
SCALE®



**8500/8500KGEU and 8550/8550KGEU  
Portable Stretcher Scale  
Service Manual**

## **FCC COMPLIANCE STATEMENT**

This equipment generates uses and can radiate radio frequency and if not installed and used in accordance with the instruction manual, may cause interference to radio communications. It has been tested and found to comply with the limits for a Class A computing device pursuant to Subpart J of Part 15 of FCC rules, which are designed to provide reasonable protection against such interference when operated in a commercial environment. Operation of this equipment in a residential area may cause interference in which case the user will be responsible to take whatever measures necessary to correct the interference.

You may find the booklet "How to Identify and Resolve Radio TV Interference Problems" prepared by the Federal Communications Commission helpful. It is available from the U.S. Government Printing Office, Washington, D.C. 20402. Stock No. 001-000-00315-4.

## **PROPER DISPOSAL**

When this device reaches the end of its useful life, it must be properly disposed of. It must not be disposed of as unsorted municipal waste. Within the European Union, this device should be returned to the distributor from where it was purchased for proper disposal. This is in accordance with EU Directive 2002/96/EC. Within North America, the device should be disposed of in accordance with the local laws regarding the disposal of waste electrical and electronic equipment.

It is everyone's responsibility to help maintain the environment and to reduce the effects of hazardous substances contained in electrical and electronic equipment on human health. Please do your part by making certain that this device is properly disposed of. The symbol shown to the right indicates that this device must not be disposed of in unsorted municipal waste programs.



## **COPYRIGHT**

All rights reserved. Reproduction or use, without expressed written permission, of editorial or pictorial content, in any manner, is prohibited. No patent liability is assumed with respect to the use of the information contained herein.

## **DISCLAIMER**

While every precaution has been taken in the preparation of this manual, the Seller assumes no responsibility for errors or omissions. Neither is any liability assumed for damages resulting from use of the information contained herein. All instructions and diagrams have been checked for accuracy and ease of application; however, success and safety in working with tools depend to a great extent upon the individual accuracy, skill and caution. For this reason, the Seller is not able to guarantee the result of any procedure contained herein. Nor can they assume responsibility for any damage to property or injury to persons occasioned from the procedures. Persons engaging the procedures do so entirely at their own risk.

# CARE AND CLEANING

## Indicator

The indicator contains no user-serviceable parts and maintenance should be limited to an occasional cleaning and battery replacement as required.

## General Cleaning Instructions

- Do not submerge the scale or indicator in water, or pour or spray water directly on them to clean. The scale and indicator are not waterproof and covering them with water will damage them and void the warranty.
- Always remove power before cleaning.
- When cleaning, use only damp soft cloths or plastic scouring pads for cleaning cloth and a mild non-abrasive detergent.
- **DO NOT** use acetone, thinner or other volatile solvents for cleaning.
- **DO NOT** use things which will scratch the surface, such as steel pads, wire brushes and scrapers.

## Powder Painted Steel Care and Cleaning

While powder painted steel is attractive and so durable that it will last many years longer than ordinary painted steel, it is desirable to clean it thoroughly on a routine basis. There are three basic things that should be remembered when cleaning powder painted steel.

1. Do not use wire brushes, abrasives, or cleaning tools such as steel pads and scrapers, which will scratch the painted surface. Instead, use soft cloths or plastic scouring pads for cleaning. Clean food equipment frequently to avoid build-up.
2. When possible, use treated water. Hard water can leave behind deposits. Soft water is much gentler on the painted steel's surface.
3. Avoid the use of acetone, thinner or other volatile solvents and abrasive type cleaners for cleaning. If required, a mild solvent such as mineral spirits can be used to remove oil, grease, tars, wax, and similar substances. Use a cloth dampened with mineral spirits and apply only to areas that are contaminated. Follow up the use of this mild solvent with detergent cleaning and rinsing.



# 8500/8550, 8500KGEU/8550KGEU PORTABLE STRETCHER SCALE TEST PROCEDURE

- A. EQUIPMENT REQUIRED
- B. SETUP
- C. SCALE TRIM ADJUSTMENT
- D. CALIBRATION
- E. FINAL TEST



## A. Equipment Required

Scale under test

Standard Hand tools

Test Weights: Appropriate certified weights to accomplish the linearity tests

## B. Setup - HI RES MODE (MV2 ONLY, OTHERWISE GO TO STEP C.)

1. Assemble scale.
2. Plug unit into power.
3. For **KGEU** models, first go to the setup table and Calibrate the scale. Next, return here to the initiate the HI RES mode for the scale trim adjustment. Then recheck the capacity weight and recalibrate if necessary.
4. Enter Setup Review:  
With the MV2 on press and hold the **CLEAR** (←) key  
When the screen says SETUP  
Release the **CLEAR** (←) key  
Press **ENTER** until you see the **HIGH-RESOLUTION** prompt  
Change **HIGH RESOLUTION** to YES and press **ENTER**  
Exit setup review mode

## C. Scale Trim Adjustment

1. Gain access to the junction box and remove the cover.
2. Place a test weight of at least 25 percent of scale capacity on each corner, one at a time, and record each displayed weight.
3. Place test weight on the corner with the highest displayed weight and adjust appropriate trim potentiometer counterclockwise until corner reading agrees with the lowest weight reading.
4. Repeat Step No. 3 until all corners are within tolerance. (For KGEU models, the tolerance is +/-0.03).
5. If any trim pot reaches the end of adjustment in the CCW direction then turn all potentiometers clockwise 25 turns or until a click is heard. Now turn all potentiometers counterclockwise 1 (one) turn and repeat steps 2 - 4.
6. Turn the power off.

## D. Calibration

1. To begin Calibration and Setup, make sure the MV1 indicator is turned on.
2. Next, looking at the front of the MV1, remove the two screws from the left end cap and remove the end cap.
3. Locate the calibration switch access hole near the bottom of the side panel, and insert a small hex wrench or tool through the access hole.
4. Press and hold the calibration switch until the display changes to show SETUP in large letters at the top of the display, and SCALE in smaller letters at the bottom.
5. Release the calibration switch. You are now ready to perform calibration.
6. During setup and calibration, pressing the **PRINT/ENTER** key will cause the data displayed, to be retained and the indicator to advance to the next prompt. Change the value by entering the new data using the numeric keypad, and then pressing the **PRINT/ENTER** key.
7. Follow the prompts listed in the MV1 SETUP TABLE.

| <b>MV1 SETUP TABLE</b>  |   |
|-------------------------|---|
| <b>CAPACITY =</b>       | <b>1000</b>                                 |
| <b>OIML =</b>           | <b>NO</b>                                   |
| <b>UNITS =</b>          | <b>2</b>                                    |
| <b>INTERVAL =</b>       | <b>2</b>                                    |
| <b>dECIMAL =</b>        | <b>1</b>                                    |
| <b>MOTION RANGE =</b>   | <b>2</b>                                    |
| <b>SAMPLE RATE =</b>    | <b>2</b>                                    |
| <b>ZERO LIMIT =</b>     | <b>no</b>                                   |
| <b>POWER UP ZERO =</b>  | <b>no</b>                                   |
| <b>ZERO TRACKING =</b>  | <b>3</b>                                    |
| <b>FILTER MOdE =</b>    | <b>2</b>                                    |
| <b>FILTER LEVEL =</b>   | <b>0</b>                                    |
| <b>CALiBRATE =</b>      | <b>YES</b>                                  |
| <b>NUM CAL POINTS =</b> | <b>1</b>                                    |
| <b>LOAdEd CAL WT =</b>  | <b>APPLY FULL CAPACITY WEIGHT</b>           |
| <b>UNLOAD</b>           | <b>REMOVE TEST WEIGHTS</b>                  |
| <b>GRAVITY ENAbLE =</b> | <b>no</b>                                   |
| <b>HOLd MOdE =</b>      | <b>2</b>                                    |
| <b>BANd =</b>           | <b>99</b>                                   |
| <b>LANGUAGE =</b>       | <b>0</b>                                    |
| <b>bACKLIGHT =</b>      | <b>150</b>                                  |
| <b>KEYPAdbEEP =</b>     | <b>YES</b>                                  |
| <b>SLEEP MOdE =</b>     | <b>4</b>                                    |
| <b>AUTO SHUT OFF =</b>  | <b>2</b>                                    |
| <b>KEY dISAbLE =</b>    | <b>0</b>                                    |
| <b>ENAbLE Id =</b>      | <b>no</b>                                   |
| <b>bARCOdE =</b>        | <b>no</b>                                   |
| <b>USE HEIGHT =</b>     | <b>no</b>                                   |
| <b>bOdY MASS IdX =</b>  | <b>YES</b>                                  |
| <b>HI RESOLUTION =</b>  | <b>no</b>                                   |
| <b>RS232 MOdE =</b>     | <b>3</b>                                    |
| <b>bAUd RATE =</b>      | <b>3</b>                                    |
| <b>PRINTER TYPE =</b>   | <b>0</b>                                    |
| <b>END OF PRINT =</b>   | <b>0</b>                                    |
| <b>USb MOdE =</b>       | <b>1</b>                                    |
| <b>YEAR [YYYY] =</b>    | <b>Enter current year</b>                   |
| <b>MONTH [1-12] =</b>   | <b>Enter current month</b>                  |
| <b>dAY [1-31] =.</b>    | <b>Enter current day of the month</b>       |
| <b>HOUR [0-23] =</b>    | <b>Enter current hour in 24-hour format</b> |
| <b>MINUTE [0-59] =</b>  | <b>Enter current minute</b>                 |
| <b>SECONd [0-59] =</b>  | <b>Enter current second</b>                 |
| <b>24 HOUR TIME =</b>   | <b>no</b>                                   |

| <b>MV2 SETUP TABLE</b>  |  |
|-------------------------|--|
| <b>CAPACITY =</b>       | <b>IF USING LB WEIGHTS, SET @ 400 (AFTER CAL RESET TO 300)</b> |
| <b>OIML =</b>           | <b>YES</b>   |
| <b>INTERVAL =</b>       | <b>1</b>   |
| <b>dECIMAL =</b>        | <b>1</b>   |
| <b>MOTION RANGE =</b>   | <b>2</b>   |
| <b>SAMPLE RATE =</b>    | <b>4</b>   |
| <b>ZERO LIMIT =</b>     | <b>YES</b>   |
| <b>POWER UP ZERO =</b>  | <b>YES</b>   |
| <b>ZERO TRACKING =</b>  | <b>1</b>   |
| <b>FILTER MOdE =</b>    | <b>2</b>   |
| <b>FILTER LEVEL =</b>   | <b>0</b>   |
| <b>CALibRATE =</b>      | <b>YES</b>   |
| <b>NUM CAL POINTS =</b> | <b>1</b>   |
| <b>LOADEd CAL WT =</b>  | <b>APPLY FULL CAPACITY WEIGHT</b>                              |
| <b>UNLOAD</b>           | <b>REMOVE TEST WEIGHTS</b>                                     |
| <b>GRAVITY ENAbLE =</b> | <b>no</b>  |
| <b>HOLd MOdE =</b>      | <b>0</b>   |
| <b>LANGUAGE =</b>       | <b>0</b>   |
| <b>bACKLIGHT =</b>      | <b>150</b>   |
| <b>KEYPAd bEEP =</b>    | <b>YES</b>   |
| <b>SLEEP MOdE =</b>     | <b>4</b>   |
| <b>AUTO SHUT OFF =</b>  | <b>2</b>   |
| <b>KEY dISAbLE =</b>    | <b>0</b>   |
| <b>ENAbLE Id =</b>      | <b>no</b>  |
| <b>bARCOdE =</b>        | <b>no</b>  |
| <b>USE HEIGHT =</b>     | <b>no</b>  |
| <b>bOdY MASS IdX =</b>  | <b>YES</b>   |
| <b>HI RESOLUTION =</b>  | <b>YES</b>   |
| <b>RS232 MOdE =</b>     | <b>3</b>   |
| <b>bAUd RATE =</b>      | <b>3</b>   |
| <b>PRINTER TYPE =</b>   | <b>0</b>   |
| <b>END OF PRINT =</b>   | <b>0</b>   |
| <b>USb MOdE =</b>       | <b>1</b>   |
| <b>YEAR [YYYY] =</b>    | <b>Enter current year</b>                                      |
| <b>MONTH [1-12] =</b>   | <b>Enter current month</b>                                     |
| <b>dAY [1-31] =</b>     | <b>Enter current day of the month</b>                          |
| <b>HOUR [0-23] =</b>    | <b>Enter current hour in 24-hour format</b>                    |
| <b>MINUTE [0-59] =</b>  | <b>Enter current minute</b>                                    |
| <b>SECONd [0-59] =</b>  | <b>Enter current second</b>                                    |
| <b>24 HOUR TIME =</b>   | <b>no</b>  |



## E. Final Test

1. Perform Corner Test using 1/4 capacity weights (positions 1-6). Use tolerances listed in the Calibration Table below.
2. Perform Linearity test. Check both ascending and descending. See table below.
3. Install indicator cover (MV1).
4. For kg units calibrated using lb weights, reset the Cap = 300 after calibration.

| <b>8500, 8550, 8500KGEU, 8550KGEU Linearity Check Table</b> |  |    |           |                        |
|---|--|----|-----------|------------------------|
| <b>8500 / 8550</b>  |  |    |           |                        |
| Applied Weight  | Tolerance                                |    |           | WEIGHT POS             |
| 0   | 0  |    |           |                        |
| *200 lb   | 199.8 lb                                 | To | 200.2 lb  | 1,2,3,4,5,6            |
| 400 lb  | 399.8 lb                                 | To | 400.2 lb  | 1+5+3<br>Then<br>2+6+4 |
| 500 lb  | 499.8 lb-                                | To | 500.2 lb+ | 7 Then 8               |
| 750 lb  | 749.4 lb                                 | To | 750.6 lb  | 7+8                    |
|   |  |    |           |                        |
| <b>8500KGEU / 8550KGEU</b>                                  |  |    |           |                        |
| Applied Weight  | CALIBRATING WITH lb WEIGHTS<br>Tolerance |    |           | WEIGHT POS             |
| 0   | 0  |    |           |                        |
| *200 lb<br>(90.71 kg)                                       | 90.6 kg                                  | To | 90.8 kg   | 1,2,3,4,5,6            |
| 400 lb<br>(181.43 kg)                                       | 181.3 kg                                 | To | 181.5 kg  | 1+5+3<br>Then<br>2+6+4 |
| 500 lb<br>(226.79 kg)                                       | 226.6 kg                                 | To | 226.9 kg  | 7 Then 8               |
| 750 lb<br>(340.19 kg)                                       | 339.9 kg                                 | To | 340.47 kg | 7+8                    |

|   |   |   |   |   |
|---|---|---|---|---|
| 2 |   | 5 |   | 4 |
|   |   |   |   |   |
|   | 7 |   | 8 |   |
|   |   |   |   |   |
| 1 |   | 6 |   | 3 |

**Weight Positions  
For Corner Test**

**\*Use these weights for Corner Test**

# APPLICATION OF ADHESIVE/ADHESIVE BACKED ITEMS

1. Use a clean cloth or paper towel to clean the surface with alcohol where the adhesive or adhesive backed item is to be applied.
2. After the alcohol has dried, use another clean dry cloth or paper towel to wipe the surface clean of all residue before the adhesive backed item is applied.
3. Apply the adhesive backed item immediately after the surface has dried. Be careful not to touch either the application surface or the adhesive with the bare hand.
4. Using a clean dry cloth or paper towel, rub out all air bubbles on flat items, such as keypads, labels, serial tags etc., by rubbing back and forth on the surface of the adhesive backed item while pressing firmly.

**NOTE: Be sure to press firmly on each corner to insure a good bond.**

5. For items that have foam tape, such as standoffs, apply the items square to the surface and hold in place with firm pressure for 5-10 seconds.

**NOTE: Most adhesive backed items will not attain full strength until after 24 hours. It is critical that the above procedure be followed to obtain the maximum bonding strength of any adhesive.**

## PARTS IDENTIFICATION

### 8500 Final Assembly – 0065-0809-0A

| ITEM | QTY | PART NUMBER  | DESCRIPTION   |
|------|-----|--------------|---|
| 1    | 1   | 0065-0810-0A | 8500 WEIGHBRIDGE WELDMENT                             |
| 2    | 6   | LFB-250P     | LOAD CELL, SHEAR BEAM, 125 KG,<br>NICKEL PLATED ALLOY |
| 3    | 2   | 0065-0821-0A | 32-1/2" RAMP WELDMENT                                 |
| 4    | 2   | 0044-B178-08 | HANDLE  |
| 5    | 6   | 6540-1624    | LOADCELL FOOT   |
| 6    | 1   | 0065-0820-08 | WEIGHBRIDGE BASE COVER                                |
| 7    | 4   | 6021-1045    | SCW HEX-HD, MACHINE SCW, 10-32X.5                     |
| 8    | 2   | 6021-0661    | SCW PAN-HEAD. MACHINE-SCW 06-32X.250                  |
| 9    | 6   | 6021-1401    | SCW SOCKET-HD .25-20X.5                               |
| 10   | 12  | 6021-2063    | SCW SOCKET-HD CAP-SCREW .375-24                       |
| 11   | 1   | 0065-0822-0A | TRIM BOARD  |
| 12   | 2   | 0065-0811-08 | ALUM. WASHER STYLE FOOT                               |
| 13   | 1   | 0065-0827-0A | 8500 WHEEL ASSEMBLY                                   |
| 14   | 18  | 6021-1257    | SCW TRUSS-HEAD THREAD CUTTING #8-32                   |
| 15   | 1   | 0067-B044-0A | MOD. 6 CONDUCTOR CABLE ASSY, 15FT.                    |
| 16   | 1   | 6610-1150    | CONNECTOR GLAND                                       |
| 17   | 1   | MV1          | INDICATOR   |
| 18   | 2   | 6021-0687    | SCW PAN-HEAD. SHEET METAL #6X.50                      |
| 19   | 4   | 6680-0180    | RIVET POP, BH SS 1/8 DIA x 250-312 GR                 |
| 20   | 1   | 0065-B506-08 | COVER PLATE   |
| 21   | 1   | 0065-0826-08 | 8500/8550 WEIGHBRIDGE SKID MAT                        |
| 22   | 2   | 0065-0828-08 | 8500/8550 RAMP SKID MAT                               |
| 23   | 4   | 6013-2008    | 1/4-20 CAGE NUT Z/P                                   |
| 24   | 2   | 0065-0829-08 | CAGE NUT ALIGNING BRACKET                             |
| 25   | 1   | 8555-B516-0A | DESKTOP PLATE ASSY                                    |
| 26   | 4   | 6021-1454    | 1/4-20 x .750, ZP                                     |
| 27   | 4   | 6024-0004    | 1/4" FLAT WASHER, SS (302)                            |
| 28   | 2   | 8555-B159-08 | SPACER, 758C MOUNT: 758C                              |
| 29   | 1   | 5930-B104-08 | LABEL: DETECTO LOGO W/WEB SITE (3" x 10")             |
| 30   | 1   | 593GR986     | SERIAL TAG ASSY                                       |

## **PARTS IDENTIFICATION, CONT.**

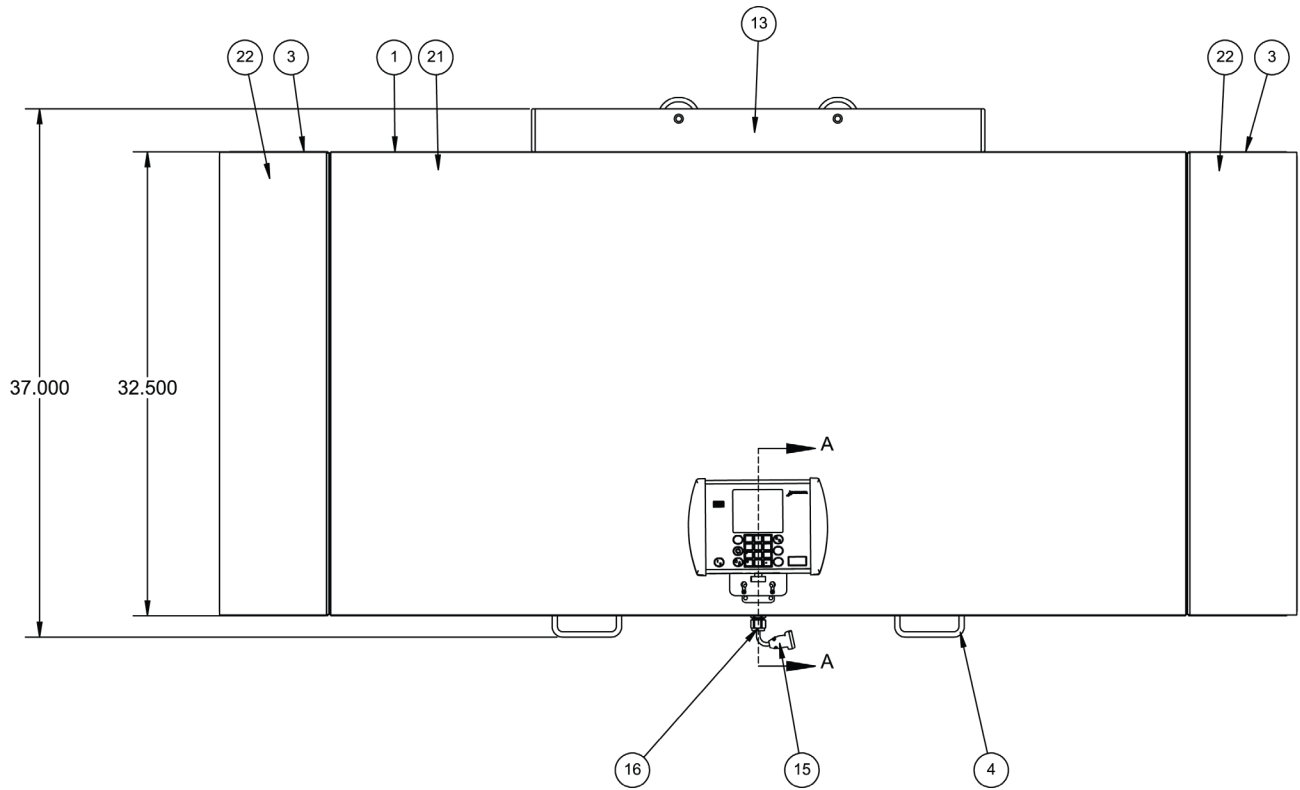
### **8500 Final Assembly – 0065-0809-0A**

#### **NOTES:**

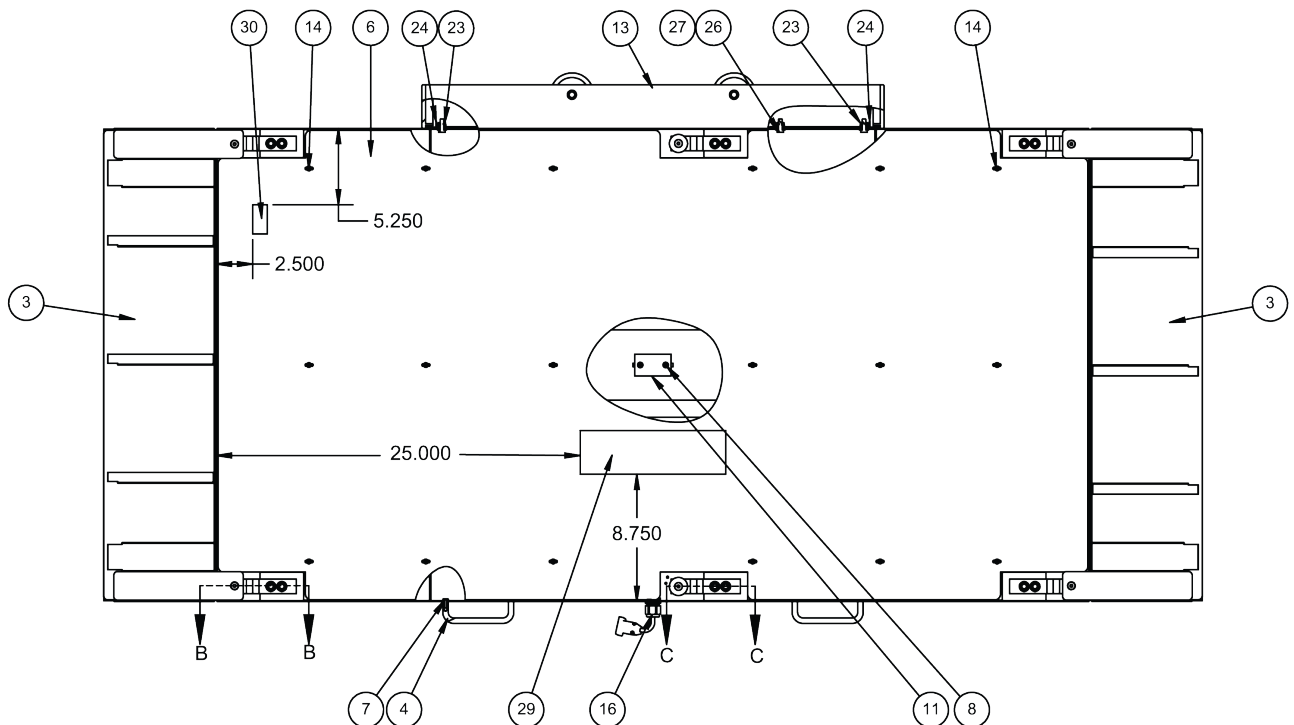
1. Wire indicator and load cell cables as shown in schematic. Check to make sure that none of the indicator cables, or load cell cable wires are crossed, or touching where they connect to the trim board to avoid a short circuit. Route cables through available holes.
2. Ensure correct wiring occurs before addition of cover plate.
3. Calibrate and set up indicator per **Test Procedure** section.
4. Prepare surface per **APPLICATION OF ADHESIVE/ADHESIVE BACKED ITEMS** section before applying item 29, and 30.
5. Remove ramps and package separately for shipping.
6. Center label as closely as possible and offset from edge of deck using given dimensions.
7. Ensure Loctite packet (6560-1046), screws qty. 4 (6021-1812), and hex key (M220-0080-00) are added to package before shipping.
8. Cutout items 21 and 22 per dimensions of weighbridge and ramps.

# PARTS IDENTIFICATION, CONT.

## 8500 Final Assembly – 0065-0809-0A (Top View)

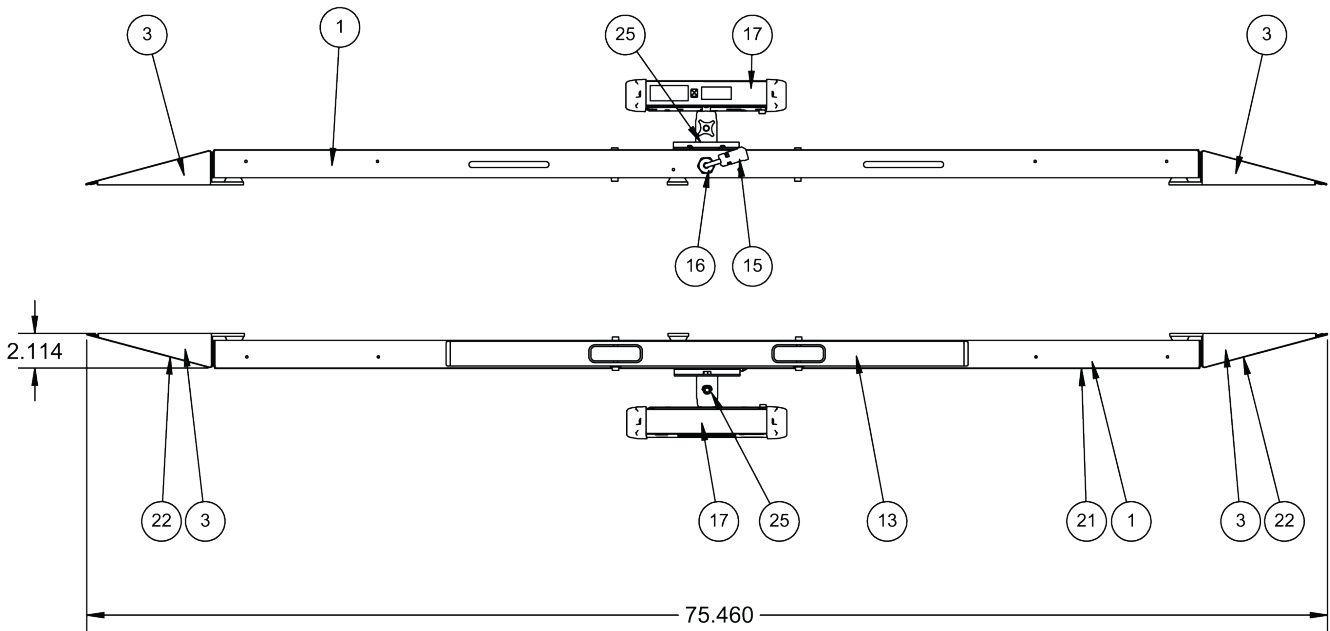


## 8500 Final Assembly – 0065-0809-0A (Bottom View)



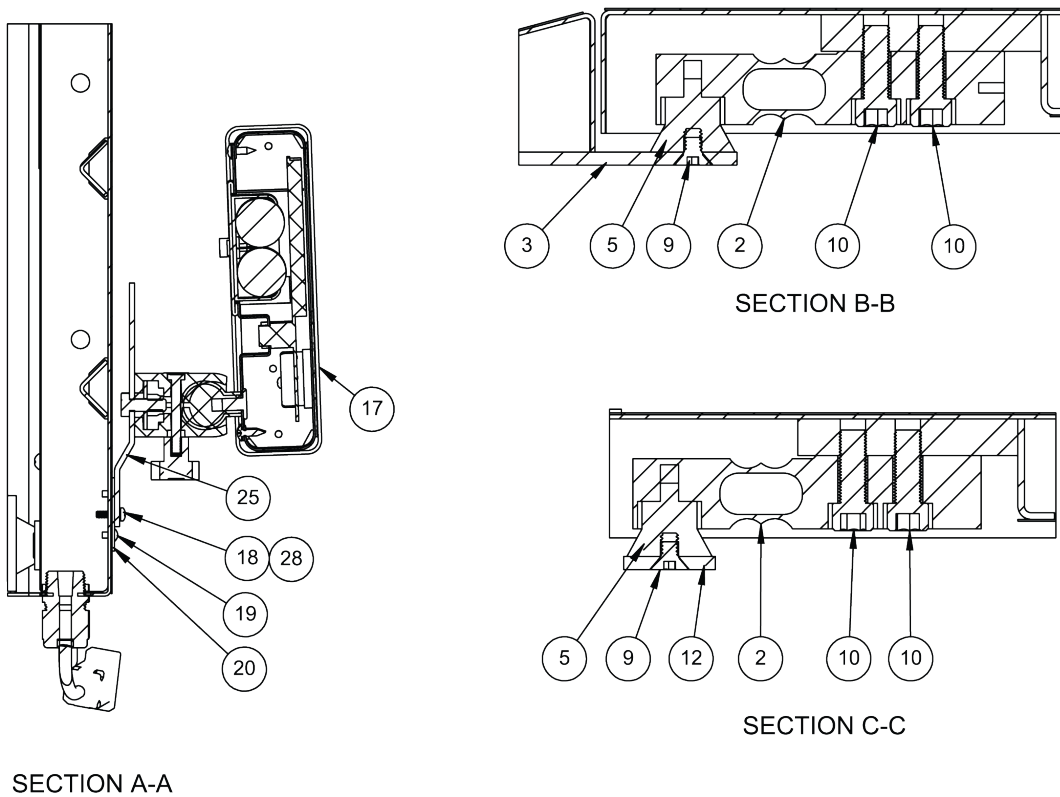
# PARTS IDENTIFICATION, CONT.

## 8500 Final Assembly – 0065-0809-0A (Top and Bottom Edge View)



## 8500 Final Assembly – 0065-0809-0A

### Section A-A, Section B-B, and Section C-C Views



## PARTS IDENTIFICATION, CONT.

### 8550 Final Assembly – 0065-0812-0A

| ITEM | QTY | PART NUMBER  | DESCRIPTION   |
|------|-----|--------------|---|
| 1    | 1   | 0065-0813-0A | 8500 WEIGHBRIDGE WELDMENT                             |
| 2    | 6   | LFB-250P     | LOAD CELL, SHEAR BEAM, 125 KG,<br>NICKEL PLATED ALLOY |
| 3    | 2   | 0065-0821-0A | 32-1/2" RAMP WELDMENT                                 |
| 4    | 2   | 0044-B178-08 | HANDLE  |
| 5    | 6   | 6540-1624    | LOADCELL FOOT   |
| 6    | 1   | 0065-0820-08 | WEIGHBRIDGE BASE COVER                                |
| 7    | 1   | 0065-0814-0A | 8550 COLUMN ASSEMBLY                                  |
| 8    | 1   | 0065-B359-08 | LATCH COVER PLATE                                     |
| 9    | 4   | 6680-0180    | RIVET POP, BH SS 1/8 DIA x 250-312 GR                 |
| 10   | 12  | 6021-2063    | SCW SOCKET-HD CAP-SCREW .375-24                       |
| 11   | 6   | 6021-1401    | SCW SOCKET-HD .25-20X.5                               |
| 12   | 4   | 6021-1045    | SCW HEX-HD, MACHINE SCW, 10-32X.5                     |
| 13   | 2   | 6021-1032    | THUMB SCREW   |
| 14   | 1   | 6021-0950    | SCW HEX-HEAD 10-32 X 1.5                              |
| 15   | 2   | 6021-0661    | SCW PAN-HEAD. MACHINE-SCW 06-32X.250                  |
| 16   | 18  | 6021-1257    | SCW TRUSS-HEAD THREAD CUTTING #8-32                   |
| 17   | 2   | 0065-0811-08 | ALUM. WASHER STYLE FOOT                               |
| 18   | 1   | 8555-B517-08 | INDICATOR TO COLUMN MOUNTING                          |
| 19   | 2   | 8555-C508-08 | MOUNT CLAMP   |
| 20   | 1   | 6540-1053    | ENCLOSURE KNOB 1.25 DIA, 10-32 INSERT                 |
| 21   | 1   | MV1          | INDICATOR   |
| 22   | 1   | 0065-0822-0A | TRIM BOARD  |
| 23   | 1   | 0065-0713-08 | HR BTTM BASE SINGLE COL.                              |
| 24   | 2   | 574R473      | WHEEL   |
| 25   | 2   | 6540-1627    | END CAP   |
| 26   | 4   | 6024-0004    | 1/4" FLAT WASHER, SS (302)                            |
| 27   | 4   | 6021-1454    | SCW HEX-HEAD. MACHINE-SCW, .25-20 x .750              |
| 28   | 7   | 6021-1454    | SCW HEX-HEAD. MACHINE-SCW, .25-20 x .750              |
| 29   | 4   | 399R40       | PUSH NUT, 1/4"  |
| 30   | 2   | 0065-0709-08 | 1/4" WHEEL SHAFT                                      |

## PARTS IDENTIFICATION, CONT.

### 8550 Final Assembly – 0065-0812-0A

| ITEM | QTY | PART NUMBER  | DESCRIPTION                               |
|------|-----|--------------|---|
| 31   | 1   | 6680-1043    | GROMMET 1/4 ID X 5/8 OD FOR 1/8 TK PNL    |
| 32   | 1   | 391rv204     | 1/4-20 ELASTIC STOP                       |
| 33   | 1   | 6680-0250    | SPACER .26 ID X .5 OD                     |
| 34   | 1   | 6024-1066    | WASHER FLAT 1/4 X 1                       |
| 35   | 1   | 593GR986     | SERIAL TAG ASSY                           |
| 36   | 1   | 5930-B104-08 | LABEL: DETECTO LOGO W/WEB SITE (3" x 10") |
| 37   | 1   | 0065-B403-0A | CABLE, INDICATOR                          |
| 38   | 1   | 0065-0826-08 | 8500/8550 WEIGHBRIDGE SKID MAT            |
| 39   | 2   | 0065-0828-08 | 8500/8550 RAMP SKID MAT                   |
| 40   | 1   | 0065-B392-08 | SAFETY PIN WARNING LABEL                  |

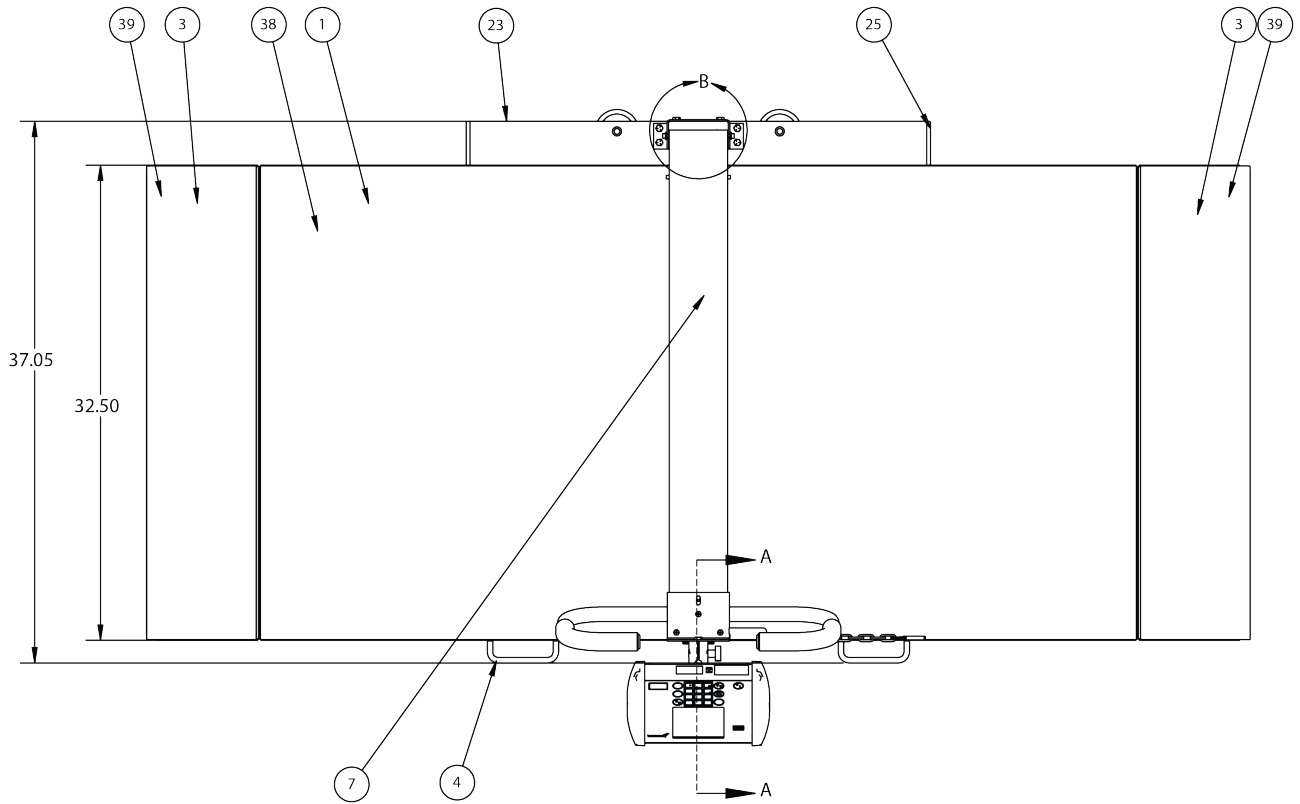
### NOTES:

1. Wire indicator and load cell cables as shown in schematic. Check to make sure that none of the indicator cables, or load cell cable wires are crossed, or touching where they connect to the trim board to avoid a short circuit. Route cables through available holes.
2. Ensure correct wiring occurs before addition of cover plate.
3. Calibrate and set up indicator per **Test Procedure** section.
4. Prepare surface per **APPLICATION OF ADHESIVE/ADHESIVE BACKED ITEMS** section before applying item 35, 36, and 40.
5. Remove ramps and package separately for shipping.
6. Center label as closely as possible and offset from edge of deck using given dimensions.
7. Ensure Loctite packet (6560-1046), screws qty. 4 (6021-1812), and hex key (M220-0080-00) are added to package before shipping.
8. Cutout items 21 and 22 per dimensions of weighbridge and ramps.

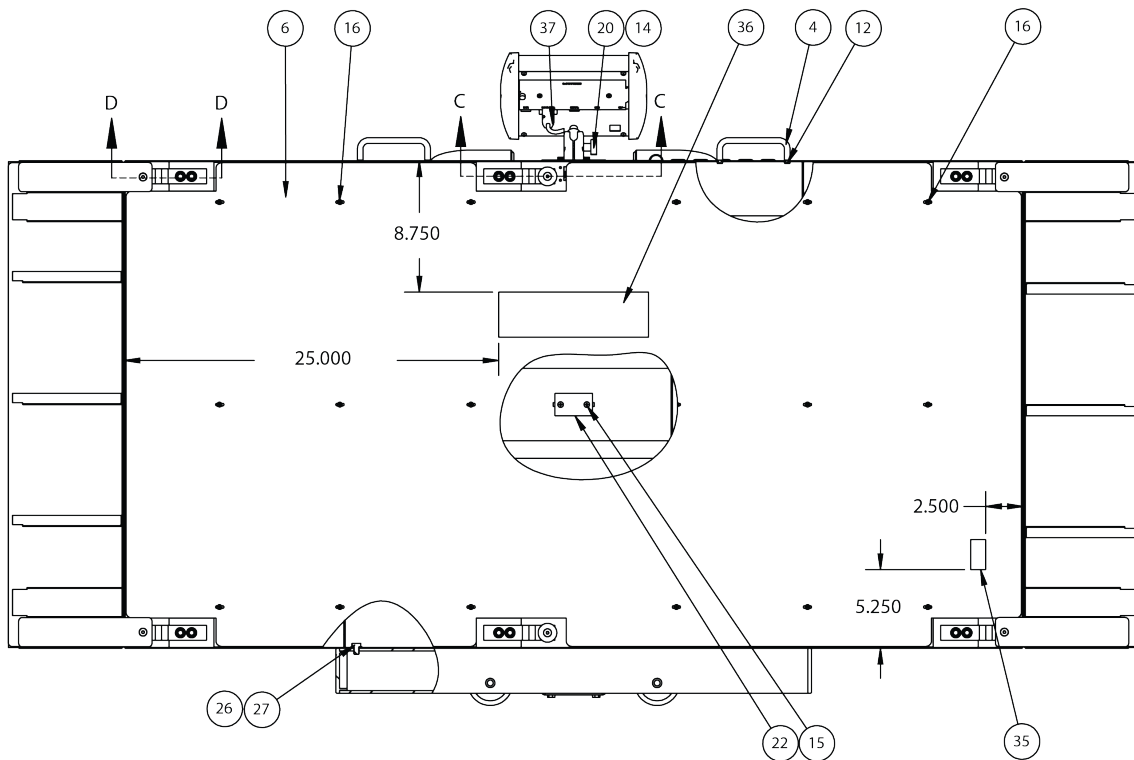


# PARTS IDENTIFICATION, CONT.

## 8550 Final Assembly – 0065-0812-0A (Top View)

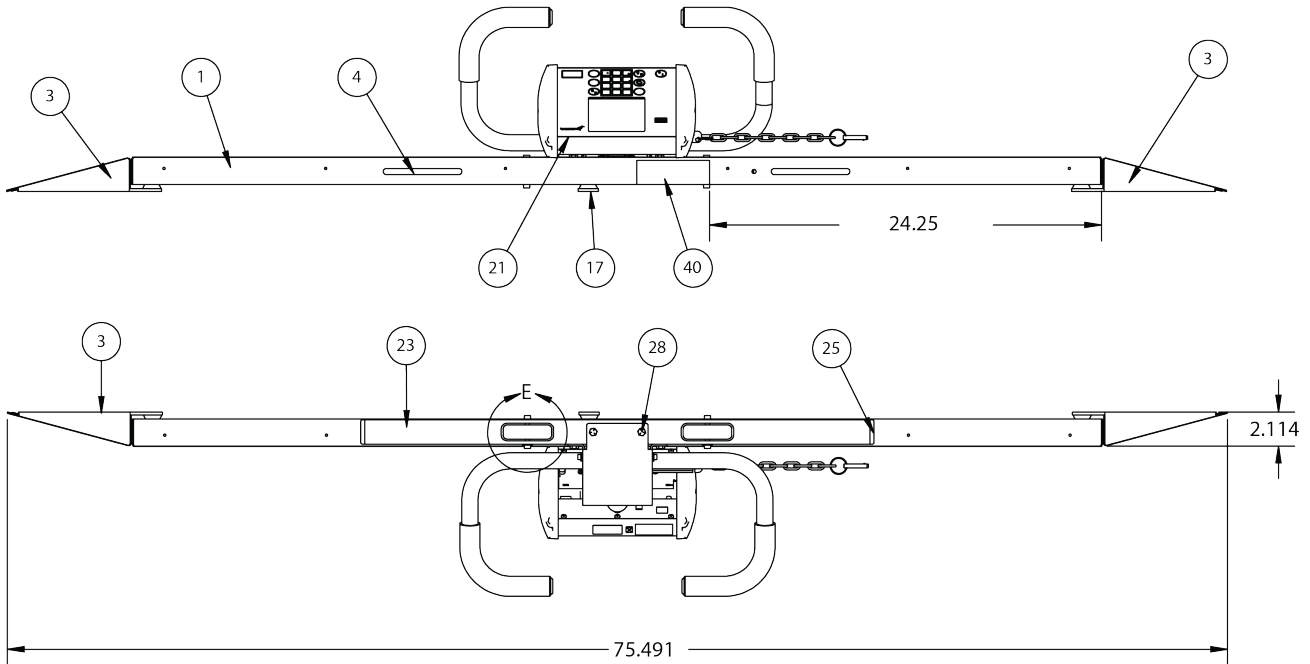


## 8550 Final Assembly – 0065-0812-0A (Bottom View)

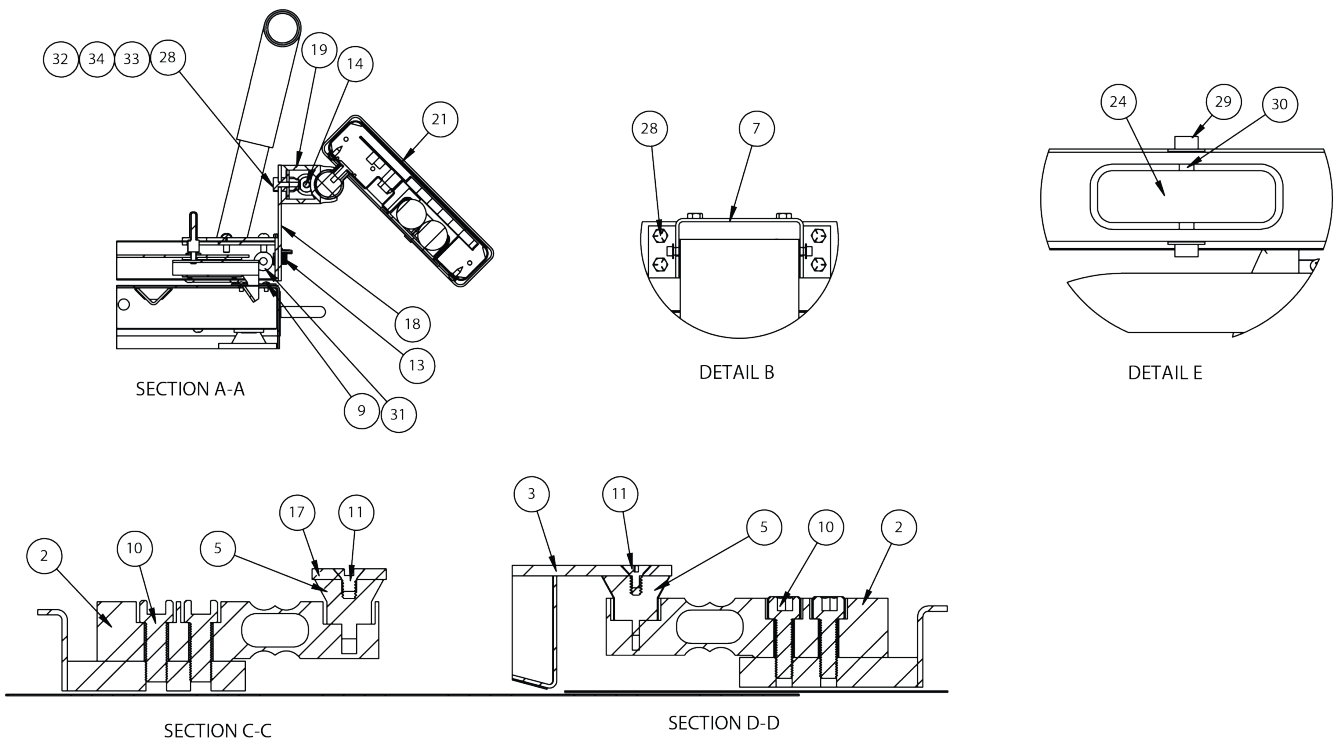


# PARTS IDENTIFICATION, CONT.

## 8550 Final Assembly – 0065-0812-0A (Top and Bottom Edge View)

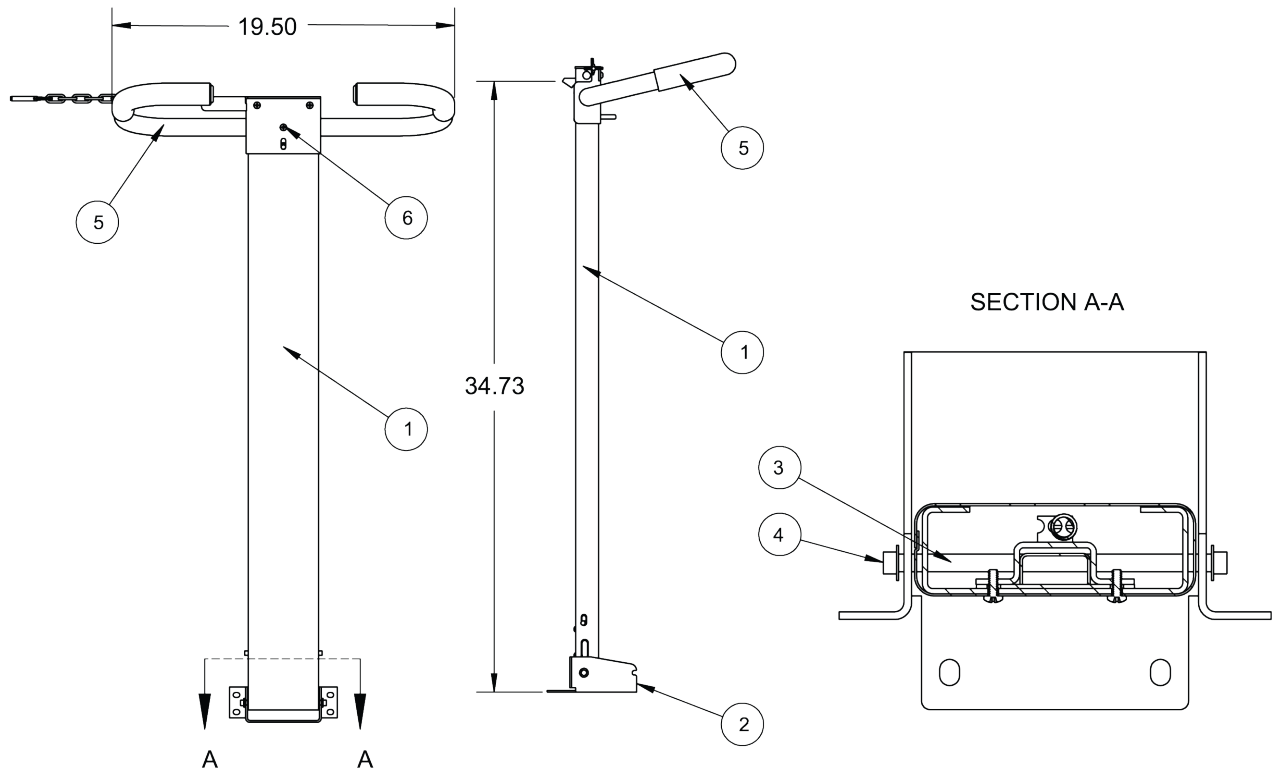


## 8550 Final Assembly – 0065-0812-0A Section A-A, Detail B, Detail E, Section C-C, and Section D-D Views



## PARTS IDENTIFICATION, CONT.

### 8550 Column Assembly – 0065-0814-0A



| ITEM | QTY | PART NUMBER  | DESCRIPTION                             |
|------|-----|--------------|---|
| 1    | 1   | 0065-D339-2A | COLUMN AND LATCH ASSEMBLY               |
| 2    | 1   | 0065-0815-08 | SHORT COLUMN MOUNTING BRACKET           |
| 3    | 1   | 0065-B342-08 | PIN – COLUMN PIVOT                      |
| 4    | 2   | 399R40       | PUSH NUT 1/4"                           |
| 5    | 1   | 0065-C391-0A | HANDLE ASSEMBLY                         |
| 6    | 3   | 6021-1006    | SCW ROUND-HEAD SELF-TAP 10-32X.500 S.S. |

**PARTS IDENTIFICATION, CONT.**  
**Column and Latch Assembly – 0065-D339-2A**

| ITEM | QTY | PART NUMBER  | DESCRIPTION                              |
|------|-----|--------------|--|
| 1    | 1   | 0031-B014-08 | SPACER                                   |
| 2    | 1   | 0065-B351-08 | LINK BAR                                 |
| 3    | 1   | 0065-B352-0A | LATCH WELDMENT                           |
| 4    | 1   | 0065-B373-0A | LOWER LATCH BLOCK                        |
| 5    | 2   | 0065-B374-08 | LATCH SPACER                             |
| 6    | 1   | 0065-B442-08 | LATCH SHAFT                              |
| 7    | 1   | 0065-C338-0A | COLUMN WELDMENT                          |
| 8    | 1   | 0065-C347-08 | GUIDE, LATCH                             |
| 9    | 1   | 0065-C443-08 | GUIDE, LATCH LOWER                       |
| 10   | 8   | 6021-0665    | #6-32 X 3/8 PAN HD CAP SCW Z/P           |
| 11   | 1   | 6021-1020    | SCW ROUND HEAD #10-32 X 0.375            |
| 12   | 1   | 6022-0027    | SPRING, EXT. 1 7/8 LONG                  |
| 13   | 1   | 6680-0030    | WASHER FLAT 1/4 NYLON                    |
| 14   | 1   | 6680-0038    | WASHER FLAT #10 NYLON                    |
| 16   | .01 | 6560-0021    | ADHESIVE LOCTITE 222-31 LO-STRENGTH 50ML |

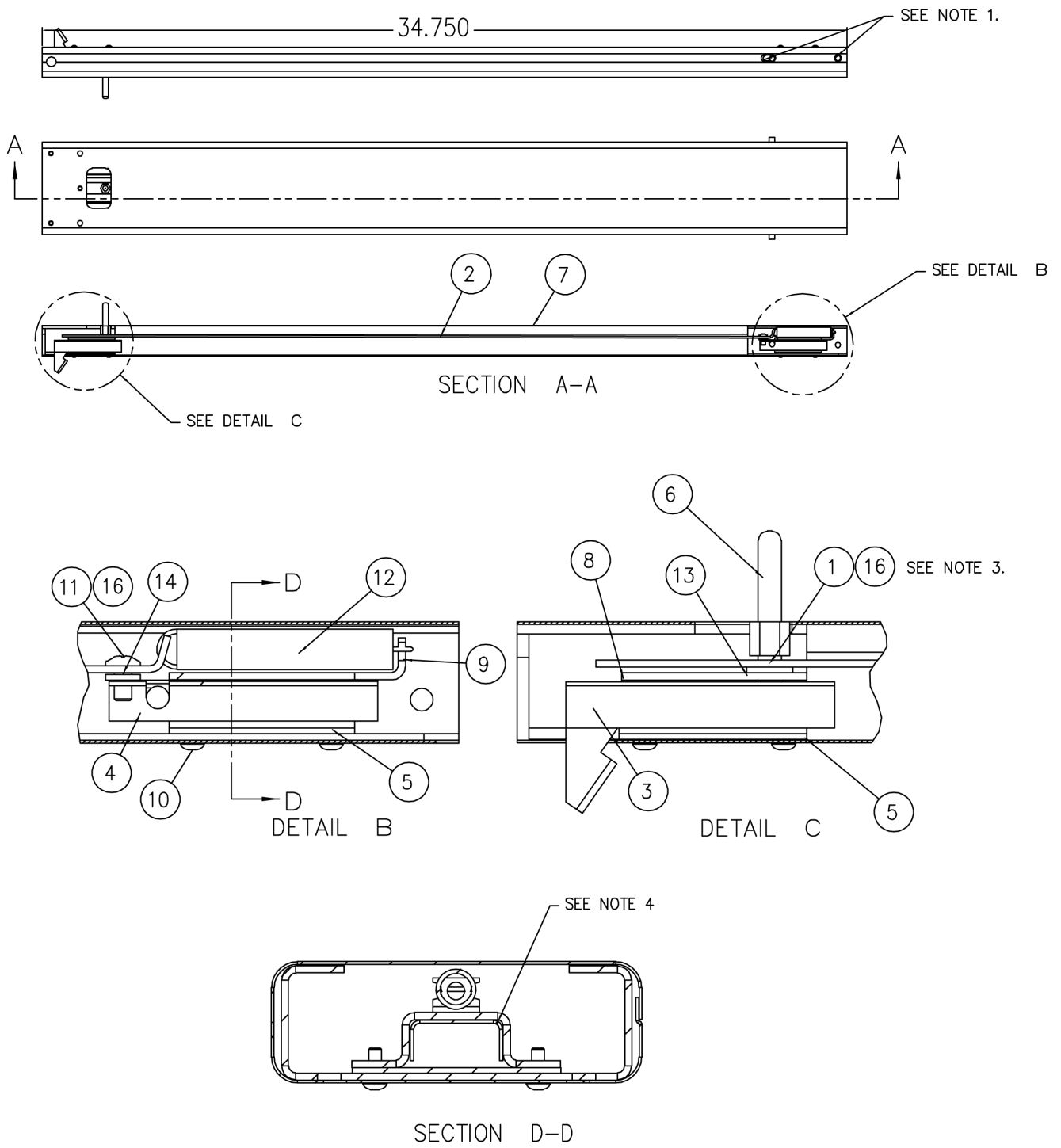
**NOTES:**

1. Check part fit prior to assembly. Remove paint buildup, or material from column weldment as required to allow pivot pin installation and to allow latch to slide without binding.
2. None.
3. Apply Loctite (6560-0021) to bottom threads. Tighten until spacer is held against latch slide. The spacer must pass through the linkage, washer and latch guide.
4. Radius of item 4 must face up.

# PARTS IDENTIFICATION, CONT.

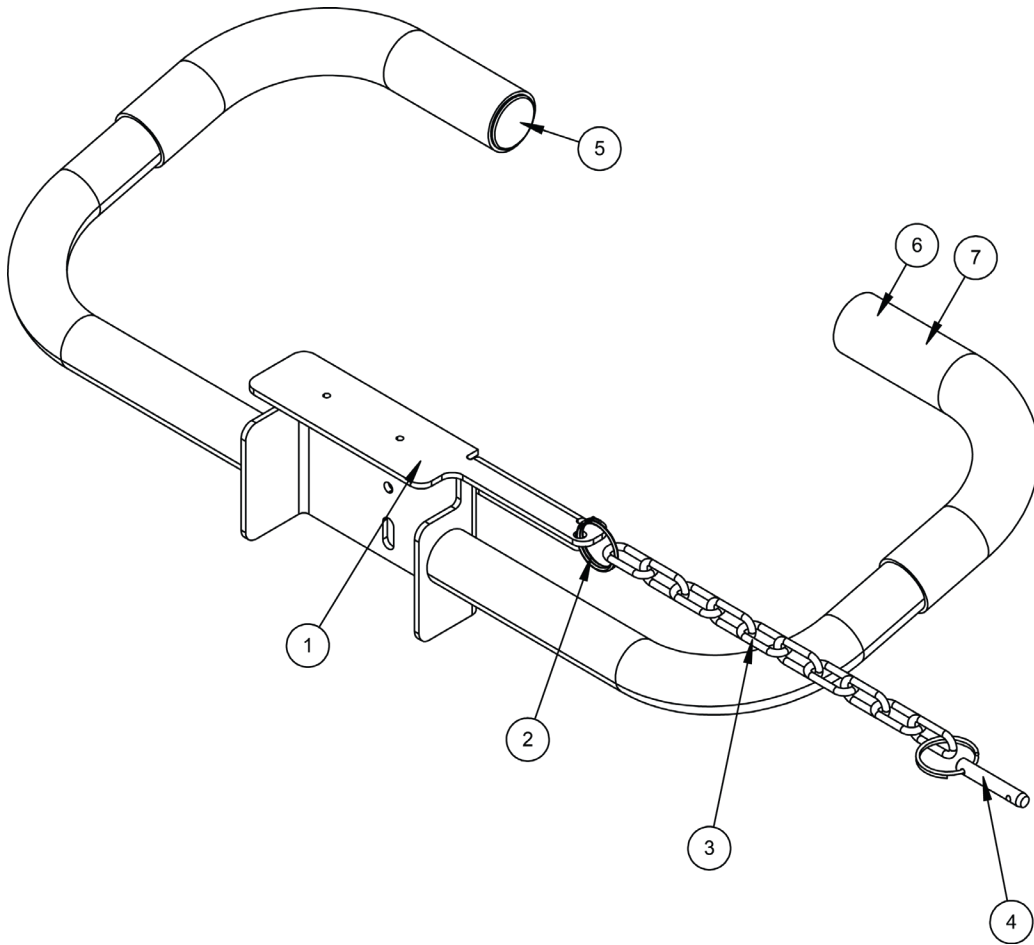
## Column and Latch Assembly – 0065-D339-2A

### Section A-A, Detail B, C and Section D-D View



## PARTS IDENTIFICATION, CONT.

### Handle Assembly – 0065-C391-0A

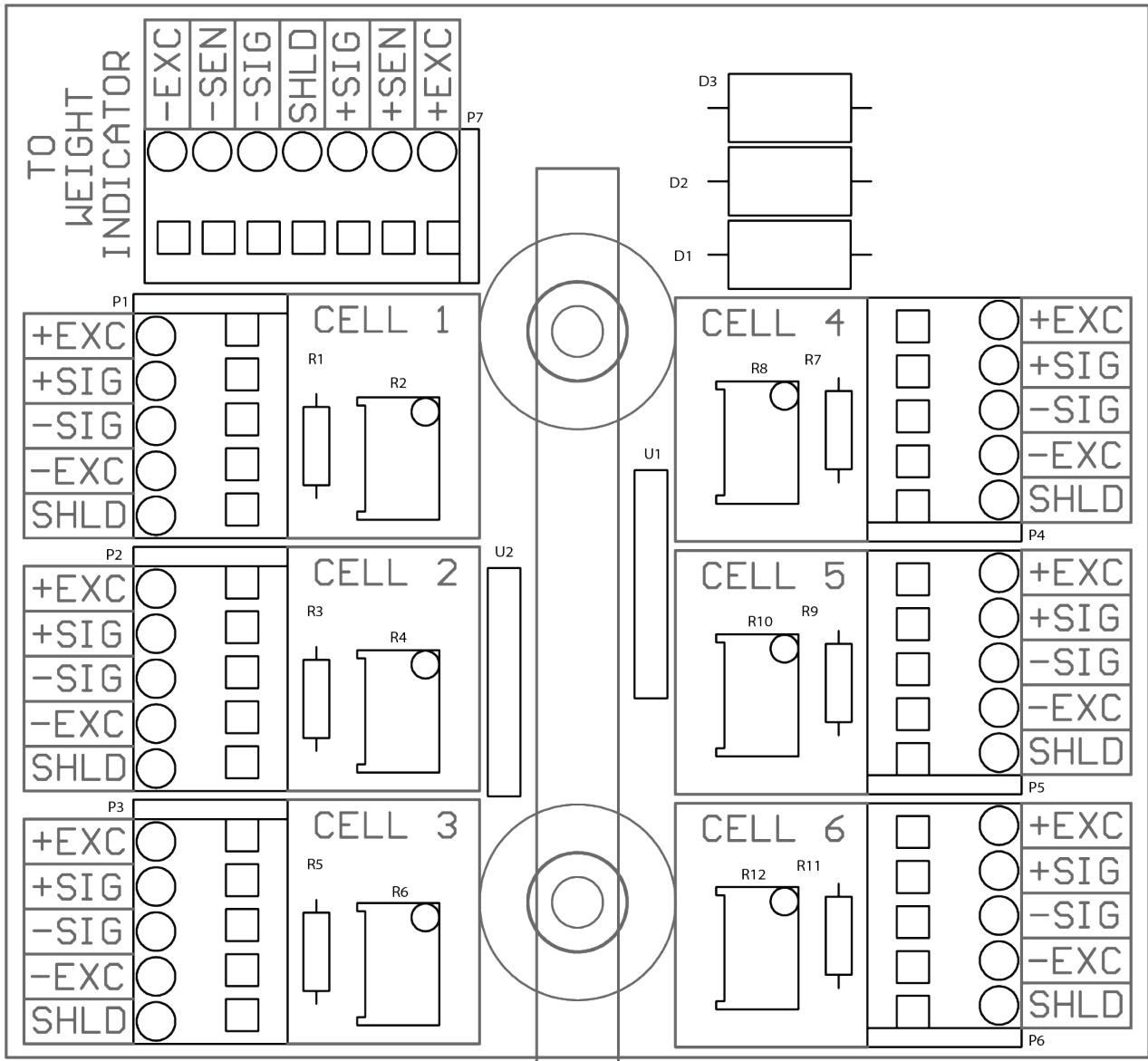


| ITEM | QTY | PART NUMBER  | DESCRIPTION  |
|------|-----|--------------|--------------|
| 1    | 1   | 0065-C385-0A | HANDLE WLDMT |
| 2    | 1   | 6028-0094    | SPLIT RING   |
| 3    | 1   | 6680-1014    | CHAIN        |
| 4    | 1   | 6028-0093    | PIN HITCH    |
| 5    | 2   | 6540-1149    | END CAP      |
| 6    | 2   | 6540-1070    | HAND GRIP    |
| 7    | 1   | 6560-0009    | ADHESIVE     |

# PARTS IDENTIFICATION, CONT.

## PCB Assembly – 0065-0822-0A

### (8500/8550 6 Cell Trim Board)



# STATEMENT OF LIMITED WARRANTY

Detecto Scale warrants its equipment to be free from defects in material and workmanship as follows: Detecto warrants to the original purchaser only that it will repair or replace any part of equipment which is defective in material or workmanship for a period of **two (2) years from date of shipment**. Detecto shall be the sole judge of what constitutes a defect.

During the **first ninety (90) days** Detecto may choose to replace the product at no charge to the buyer upon inspection of the returned item.

**After the first ninety (90) days**, upon inspection of the returned item, Detecto will repair or replace it with a remanufactured product. The customer is responsible for paying for the freight both ways.

This warranty does not apply to peripheral equipment not manufactured by Detecto; this equipment will be covered by certain manufacturer's warranty only.

This warranty does not include replacement of expendable or consumable parts. This does not apply to any item which has deteriorated or damaged due to wear, accident, misuse, abuse, improper line voltage, overloading, theft, lightning, fire, water or acts of God, or due to extended storage or exposure while in purchaser's possession. This warranty does not apply to maintenance service. Purchased parts will have a ninety (90) day repair or replacement warranty only.

Detecto may require the product to be returned to the factory; item(s) must be properly packed and shipping charges prepaid. A return authorization number must be obtained for all returns and marked on the outside of all returned packages. Detecto accepts no responsibility for items lost or damaged in transit.

## Conditions Which Void Limited Warranty

This warranty shall not apply to equipment which:

- A.) Has been tampered with, defaced, mishandled or has had repairs and modifications not authorized by Detecto.
- B.) Has had serial number altered, defaced, or removed.
- C.) Has not been properly grounded according to Detecto's recommended procedure.

## Freight Carrier Damage

Claims for equipment damaged in transit must be referred to the freight carrier in accordance with freight carrier regulations.

This warranty sets forth the extent of our liability for breach of any warranty or deficiency in connection with the sale or use of the product. Detecto will not be liable for consequential damages of any nature, including but not limited to, loss of profit, delays or expenses, whether based on tort or contract. Detecto reserves the right to incorporate improvements in material and design without notice and is not obligated to incorporate improvements in equipment previously manufactured.

The foregoing is in lieu of all other warranties, express or implied including any warranty that extends beyond the description of the product including any warranty of merchantability or fitness for a particular purpose. This warranty covers only those Detecto products installed in the forty-eight (48) contiguous continental United States.



Ph. (800) 641-2008  
E-mail: [detecto@cardet.com](mailto:detecto@cardet.com)  
203 E. Daugherty  
Webb City, MO 64870

08/27/2014  
Printed in USA  
D268-WARRANTY-DET-A







Printed in USA

0065-0834-0M Rev C 06/19



Cardinal Scale Manufacturing Co.  
102 E. Daugherty, Webb City, MO 64870 USA  
Ph: 417-673-4631 or 1-800-641-2008  
Fax: 417-673-2153

Technical Support: 1-866-254-8261  
E-mail: [tech@cardet.com](mailto:tech@cardet.com)