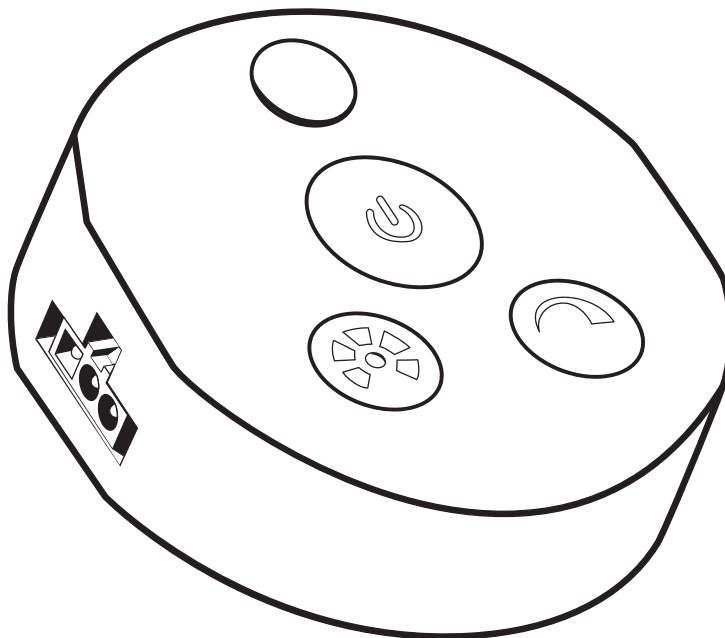




# UNDER CABINET MOTION SENSOR

## IMPORTANT SAFETY INSTRUCTIONS AND INSTALLATION GUIDE



**READ BEFORE INSTALLATION**  
**SAVE THESE INSTRUCTIONS**

Questions, problems, missing parts? Before returning to the store,  
call Feit Electric Customer Service  
8 a.m. - 5 p.m., PST, Monday - Friday

1-866-326-BULB (2852)

[FEIT.COM](http://FEIT.COM)

We appreciate the trust and confidence you have placed in Feit Electric through the purchase of this Under Cabinet Motion Sensor. We strive to continually create quality products designed to enhance your home. Visit us online to see our full line of products available for your home improvement needs.

Thank you for choosing Feit Electric.

# Table of Contents

Table of Contents .....	2
Safety Information .....	2
FCC Statement .....	2
Warranty .....	2
Pre-Assembly .....	3
Screw Mount Installation .....	4
Operating Instructions .....	5-6

## Safety Information

## SAVE THESE INSTRUCTIONS

### IMPORTANT SAFEGUARDS:

ALWAYS FOLLOW BASIC SAFETY PRECAUTIONS WHEN USING ELECTRICAL PRODUCTS, ESPECIALLY WHEN CHILDREN ARE PRESENT.

**CAUTION:** To reduce the risk of fire or electric shock, do not use this device with a receptacle in which the slot openings do not align with the blades. Use only on 120VAC 60Hz circuits. Suitable for damp locations. Operating temperature -4°F to 77°F (-20°C to 25°C). When installing, make sure that power is switched off before connecting or disconnecting. This product is not user-serviceable. Do not attempt to open the product enclosure for any reason. **THIS PRODUCT IS NOT A VOLTAGE CONVERTER.** For more information visit [www.feit.com](http://www.feit.com) or call our toll free number 1-866-326-BULB.



**WARNING:** To avoid risk of electrical shock, always make sure the product is unplugged from the electrical outlet before assembling, disassembling, relocating, servicing or cleaning it.



**CAUTION:** Do not install this product in a wet location.



**CAUTION:** Do not install this product in an outdoor location.



**CAUTION:** Do not use chemical solvents or harsh abrasives to clean the fixture.

### Supplier's Declaration of Conformity:

47 CFR § 2.1077 Compliance Information

**Responsible Party: Feit Electric Company**  
4901 Gregg Road, Pico Rivera, CA 90660, USA  
562-463-2852  
**Unique Identifier: UCL/MOT**

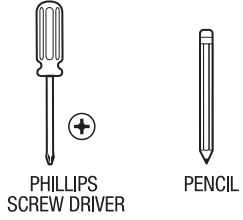
### FCC STATEMENT

This device complies with part 15 of the FCC Rules. Operation is subject to the following two conditions: (1) This device may not cause harmful interference, and (2) this device must accept any interference received, including interference that may cause undesired operation. Note: This equipment has been tested and found to comply with the limits for a Class B digital device, pursuant to part 15 of the FCC Rules. These limits are designed to provide reasonable protection against harmful interference in a residential installation. This equipment generates, uses and can radiate radio frequency energy and, if not installed and used in accordance with the instructions, may cause harmful interference to radio communications. However, there is no guarantee that interference will not occur in a particular installation. If this equipment does cause harmful interference to radio or television reception, which can be determined by turning the equipment off and on, the user is encouraged to try to correct the interference by one or more of the following measures: Reorient or relocate the receiving antenna. Increase the separation between the equipment and receiver. Connect the equipment into an outlet on a circuit different from that to which the receiver is connected. Consult the dealer or an experienced radio/TV technician for help. Any changes or modifications not expressly approved by the manufacturer could void the user's authority to operate the equipment. CAN ICES-005(B).

## Limited Warranty

This product is warranted to be free from defects in workmanship and materials for up to 1 year from date of purchase. If the product fails within the warranty period, please contact Feit Electric at [info@feit.com](mailto:info@feit.com), visit [feit.com/contact-us](http://feit.com/contact-us) or call 1-866-326-BULB (2852) for instructions on replacement or refund. REPLACEMENT OR REFUND IS YOUR SOLE REMEDY. EXCEPT TO THE EXTENT PROHIBITED BY APPLICABLE LAW, ANY IMPLIED WARRANTIES ARE LIMITED IN DURATION TO THE DURATION OF THIS WARRANTY. LIABILITY FOR INCIDENTAL OR CONSEQUENTIAL DAMAGES IS HEREBY EXPRESSLY EXCLUDED. Some states and provinces do not allow the exclusion of incidental or consequential damages, so the above limitation or exclusion may not apply to you. This warranty gives you specific legal rights, and you may also have other rights which vary from state to state or province to province.

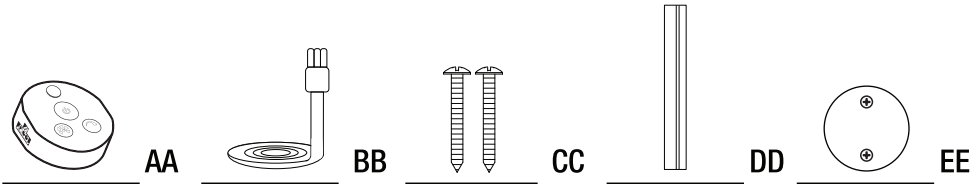
## TOOLS REQUIRED



## HARDWARE INCLUDED



**NOTE:** Hardware not shown to actual size.



Part	Description	Quantity
AA	Motion Sensor	1
BB	18in. Linking Cable	1
CC	Mounting Screws	2
DD	Mounting Bracket	1
EE	Mounting Bracket Template	1

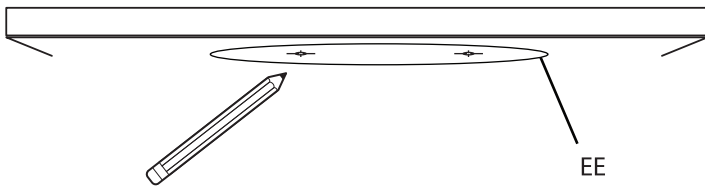
### DEVICE COMPATIBILITY LIST (Max 100 paired units)

UCL12/5CCT
UCL18/5CCT
UCL24/5CCT
UCL36/5CCT
UCL12FP/5CCTCA
UCL18FP/5CCTCA
UCL24FP/5CCTCA
UCL36FP/5CCTCA
BPUCL/PUCK/5CCT/3
UCL72/FLEX/5CCT
UCL192/FLEX/5CCT
UCL96/ROPE/5CCT

# Motion Sensor Installation

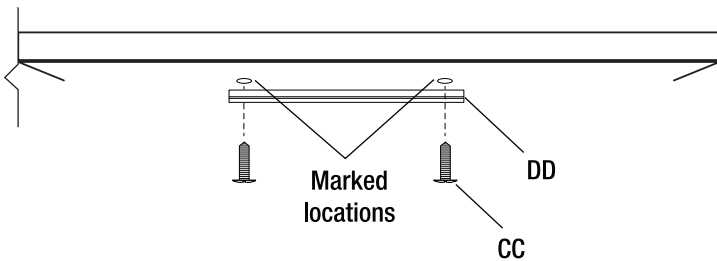
## 1 Position the Motion Sensor

Find the desired place for the Motion Sensor and mark clearly using the provided mounting bracket template (EE).



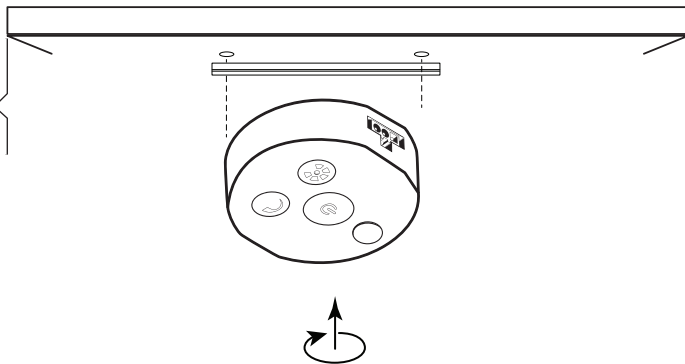
## 2 Installing the Mounting Bracket

Screw in the Mounting Bracket (DD) using the Mounting Screws (CC) on the marked locations.



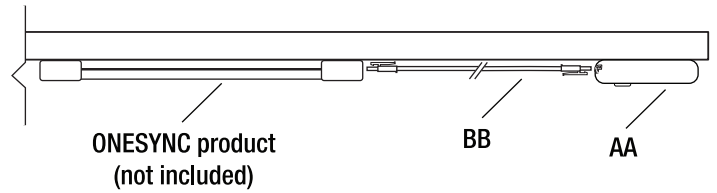
## 3 Installing the Motion Sensor

Raise the Motion Sensor up and align the keyholes on the fixture to the mounting bracket. Twist and lock the Motion Sensor into place by holding the Motion Sensor and gently rotating it in clockwise direction.



## 4 Connecting Connector Cable

Plug In Motion Sensor to OneSync product using Linking Cable (BB).



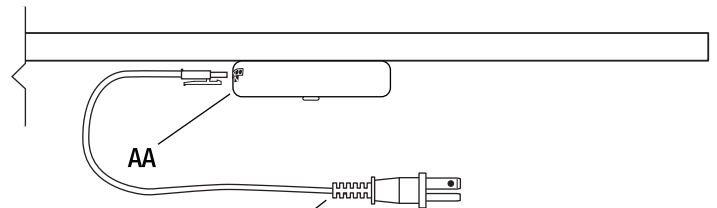
**NOTE:** Linking Cable can be connected to either side of the Motion Sensor (AA).



**NOTE:** Can also power by connecting to outlet

## 5 Connecting Electrical Plug

Plug In Electrical Plug (sold separately) to the Motion Sensor (AA).



Electrical Plug (sold separately)



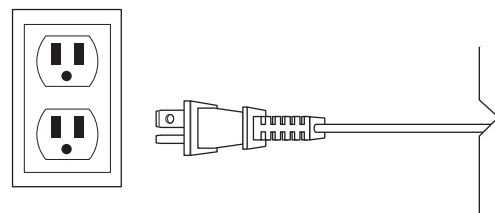
**NOTE:** Electrical plug can be connected to either side of the Motion Sensor (AA).

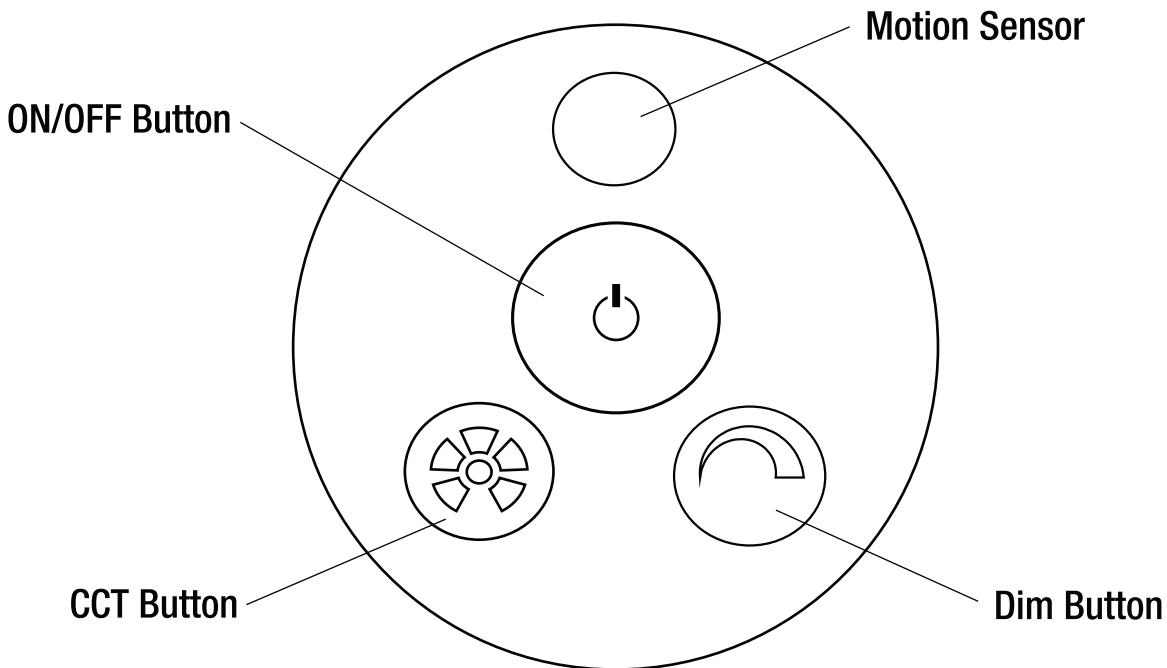


**IMPORTANT:** Do not plug in electrical plug to a wall power source until after connecting to the Motion Sensor (AA).

## 6 Connecting to a Power Outlet

Connect the Electrical Plug (sold separately) to the power outlet on the wall.





## Initial Remote Recognition

- The first time pairing fixtures to the motion sensor requires that the fixtures recognize the specific motion sensor. Power on the fixture & hold the ON/OFF button on the remote for 3 seconds. Lights will blink once the units have recognized the remote. This can be done with multiple fixtures at once.

## Pair or Unpair Fixtures to the Motion Sensor

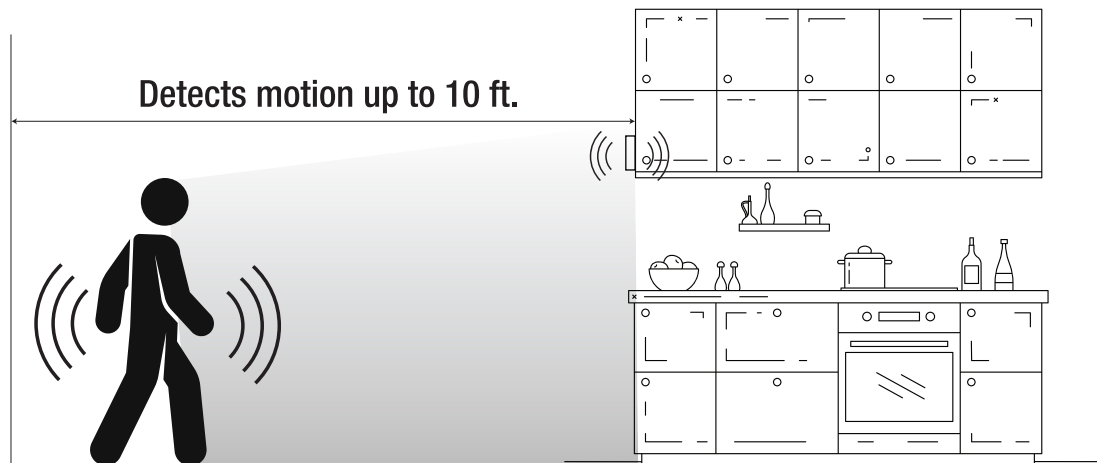
- To pair a fixture to the motion sensor, power on the fixture and hold the Dim button on the remote for 5 seconds. Lights will blink once the units are paired. This can be done with multiple fixtures at once.
- To unpair a fixture from the motion sensor, power on the fixture and hold the ON/OFF button on the remote for 5 seconds. Lights will blink once the units are unpaired. This can be done with multiple fixtures at once. When unpaired this way, LED fixtures will be reset to the default mode of operating individually.

## Operation Instructions for Motion Sensor

- When motion is detected by UCL/MOT, all connected OneSync lights will turn on. After 10 minutes of no motion detection, all connected lights will turn off.
- If motion is detected during the 10 minutes on, all connected lights will stay on for an additional 10 minutes from the time of motion detection.
- Pressing the ON/OFF button will turn all connected lights ON/OFF.

**NOTE:** Turning your lights off this way will keep all connected lights off until the next time you press the ON/OFF button, regardless of motion.

- Holding down the CCT button on the Motion Sensor will disable/enable the motion sensor. When motion sensor is disabled this way, normal remote operations will still function (CCT change, Dim, On/OFF), but connected lights will not turn on when motion is detected.



## Changing the Dimming Levels

- To select the desired dimming level, Cycle through Dimming levels (High, Medium, Low, Dim, Off) by pressing the Dim Button. This setting will be fixed each time the ON/OFF switch is turned ON.

## Changing the Color Temperature Setting

- To select the desired color temperature, cycle through 2700K - 3000K - 3500K - 4000K - 5000K by pressing the CCT Button. This setting will be fixed each time the ON/OFF switch is turned ON.

**NOTE:** Once paired, to operate a fixture separately from the motion sensor, hold the CCT button for 3 seconds on the fixture that you want to control independently. This fixture will not respond to the motion sensor and can only be operated individually through the buttons on the fixture. Press and hold the CCT button for 3 seconds on the fixture again to reconnect to the motion sensor.