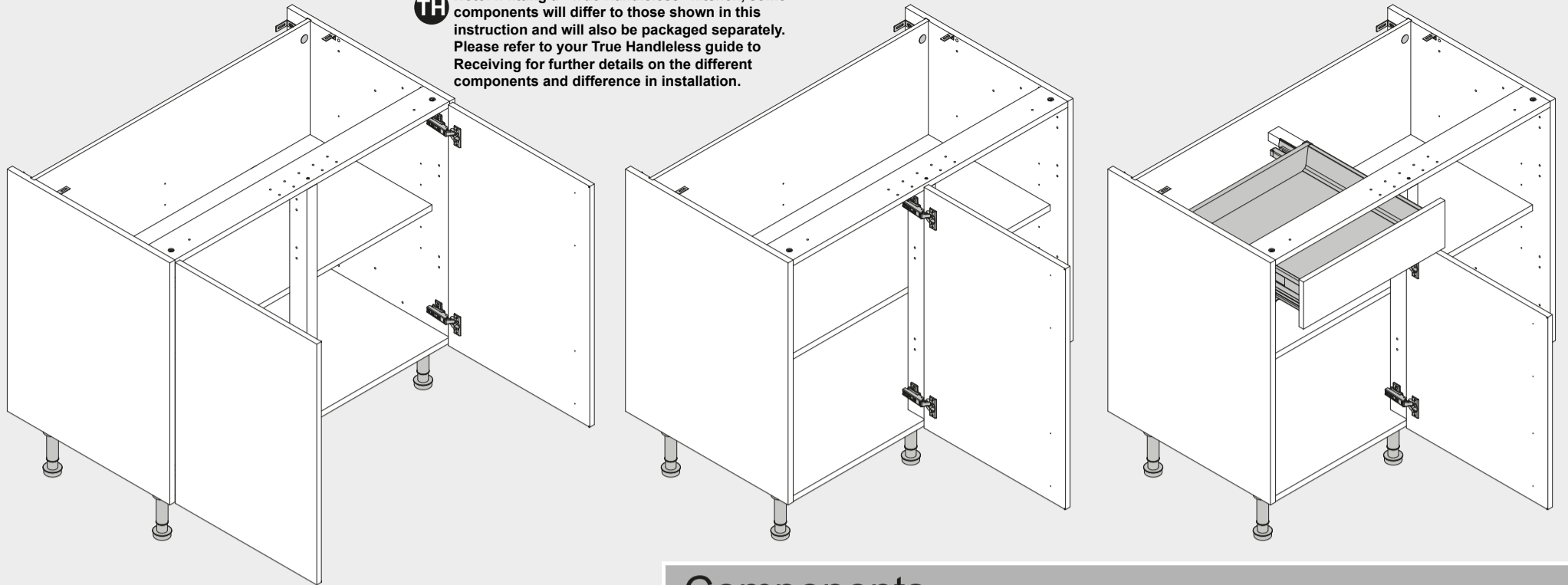
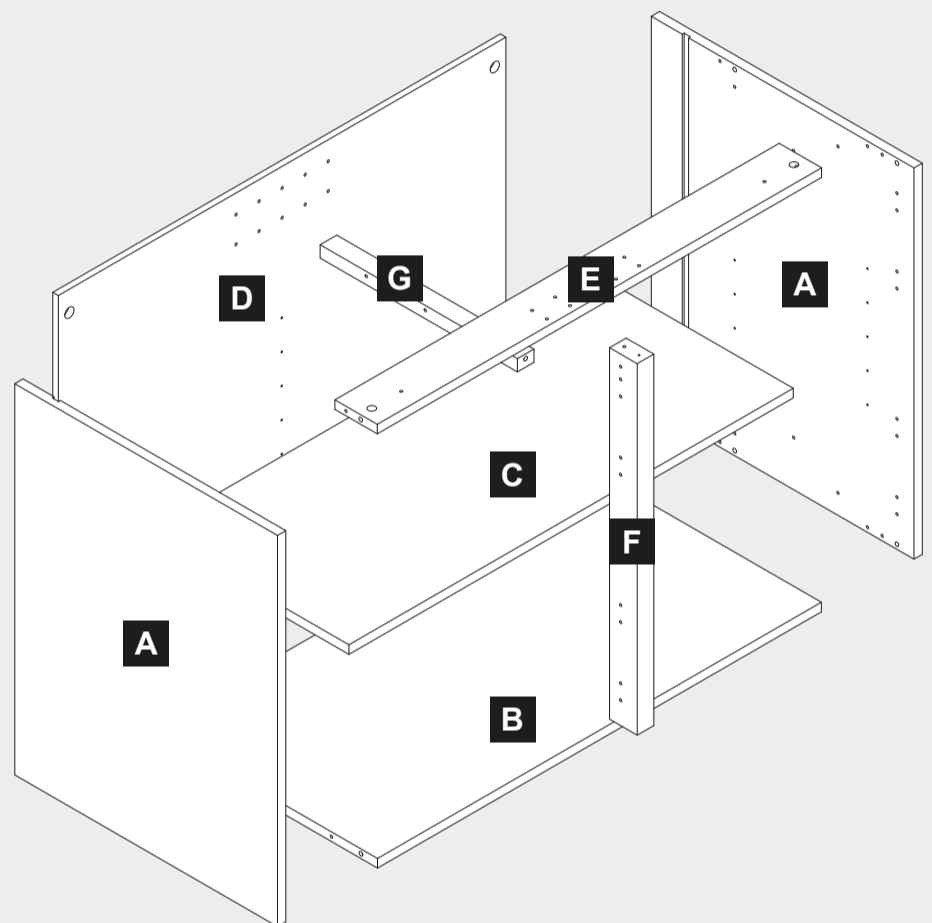
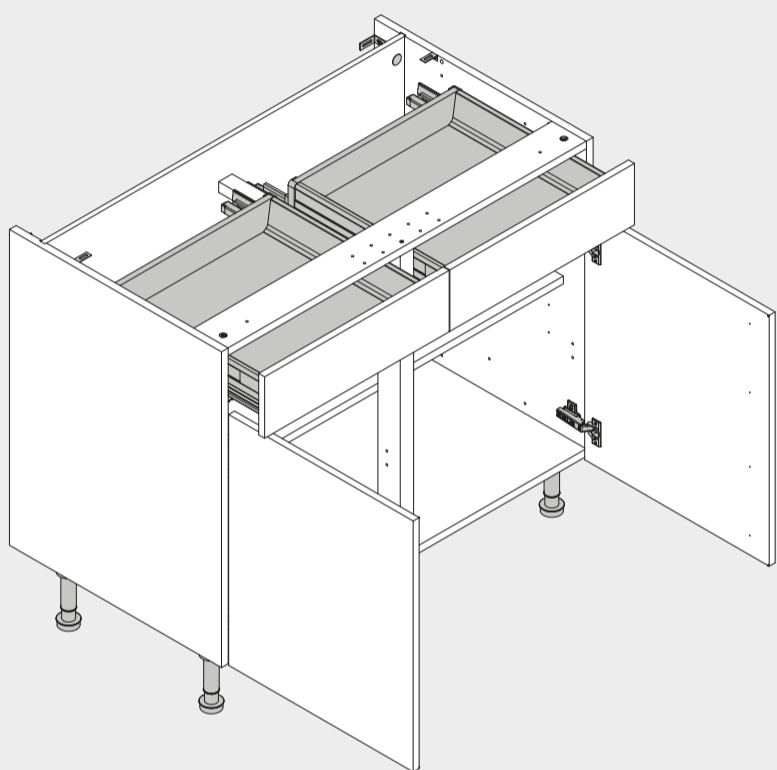


800, 900 and 1000 Base and Corner Base Unit Assembly

TH Note: If fitting a "True Handleless" kitchen, some components will differ to those shown in this instruction and will also be packaged separately. Please refer to your True Handleless guide to Receiving for further details on the different components and difference in installation.



Components



Important Information - True Handleless Kitchens Installers: See Note Above **TH**

Caution: Some pieces of hardware could be hazardous to small children. Keep all these items out of reach and do not leave children unattended in the assembly area. Please read these instructions carefully before proceeding. Refer to the Guide to Receiving and Installing your Kitchen booklet for further information.

Note: Due to variation in wall conditions no screws are supplied for fixing the units to the wall. If in doubt consult an expert. Assemble the unit on a clean solid work surface.

In the interest of continuing improvements we reserve the right to amend or adjust the specifications without prior notice. Errors and omissions excepted.

These units may be fitted with a drawer system. The drawers are supplied separately. These instructions show the runner positions for the drawer system.

Follow the instructions supplied with the drawers for drawerbox assembly.

Every effort has been made to ensure that this product leaves the factory in perfect condition. In the unlikely event that an item is damaged or incorrect, please contact the customer services department.



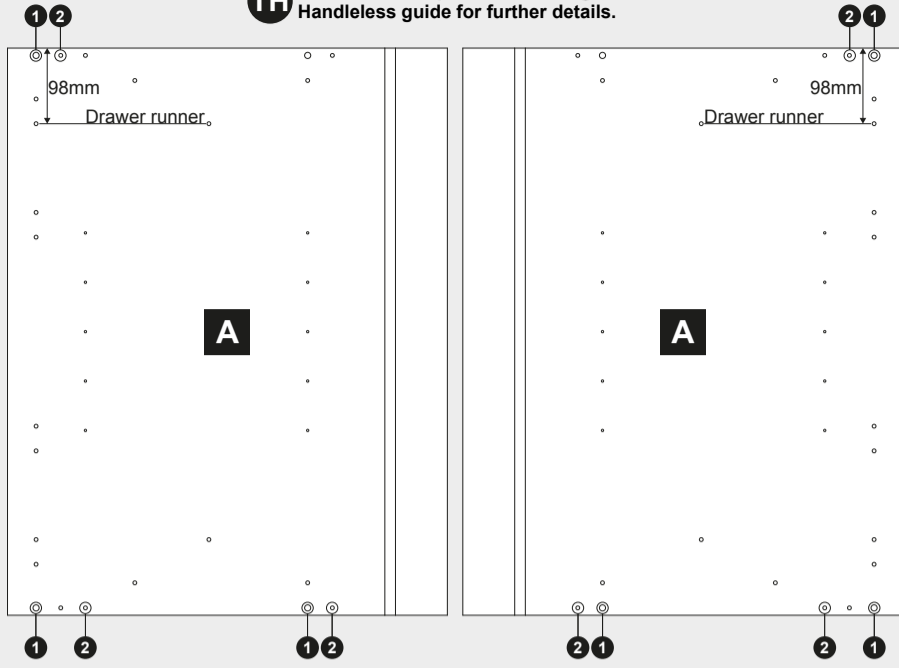
FM 665131

Note - Fitting Handles: (1) Decide where you are going to position each handle to maintain symmetry around your kitchen. (2) Measure the handle centres and mark off each door/drawer position. (3) Drill through the door/drawer using a fine drill (<2.5mm), then drill back from the rear face using a 4.5mm drill. (4) Attach with the fixings provided with your handle.

Ref. No.	Item	Quantity	Ref. No.	Item	Quantity	Ref. No.	Item	Quantity	Tools Required	
150101	3.5x12mm	14	154027		6	152401		4/5		Drill
150202	4x12mm	16	154068		8	152418		4/5		G-Clamp (pair)
150201	4x15mm	16/20	154047		2	152402		2		Medium Crosshead Screwdriver
150199	4.5x45mm	4	152181		4	152148		4		Hammer
150198	55mm Carcase Screw	3	152162		4	151999		12		Tape Measure
154082		6	150308		2	151500		2		Spirit Level
154084		1	150309		2					Bradawl

1 — 2 Assembly Instructions

TH Modification required at this stage, see True Handleless guide for further details.



Drawer Runner
← Front
1 x 'L'; 1 x 'R'

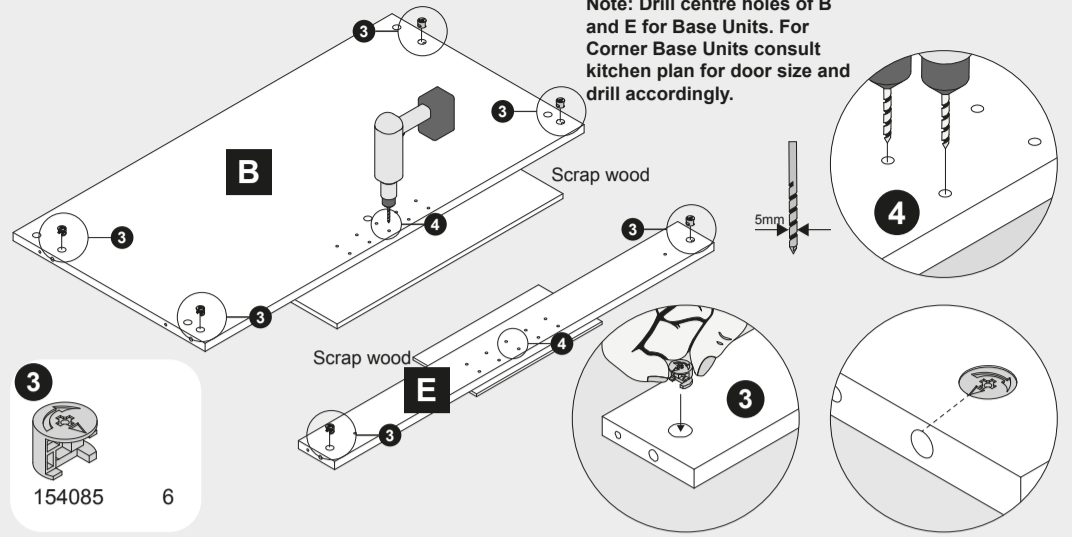
1 = x4
2 = x2
Fit as third screw

1 6

2 6

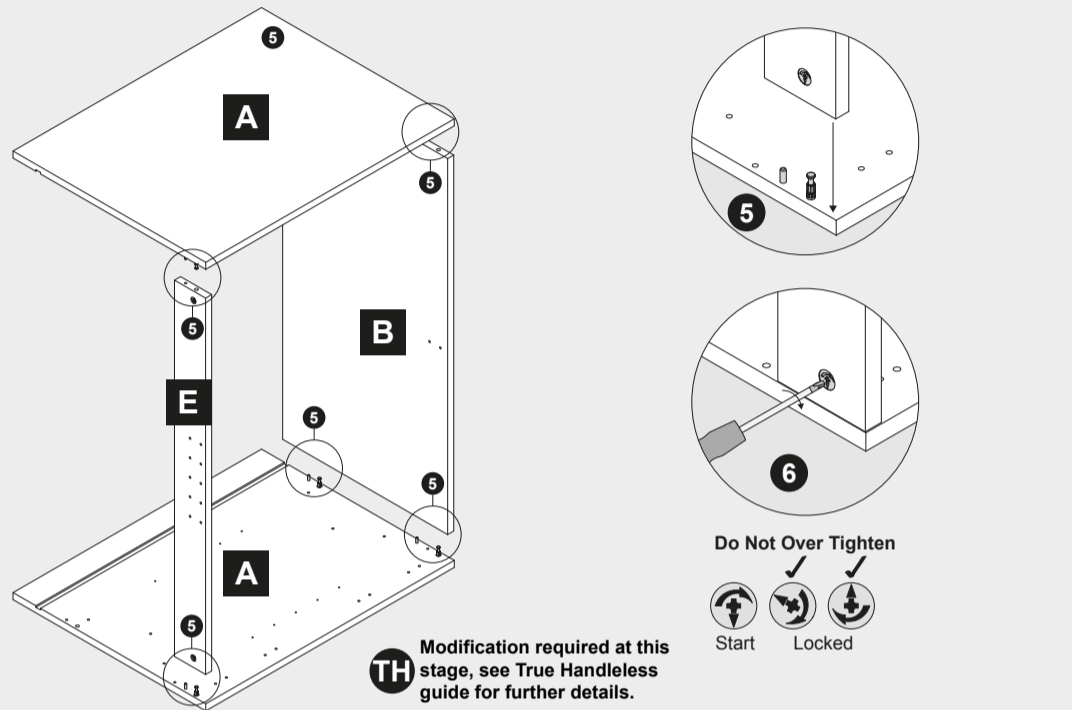
3 — 4

Note: Drill centre holes of B and E for Base Units. For Corner Base Units consult kitchen plan for door size and drill accordingly.

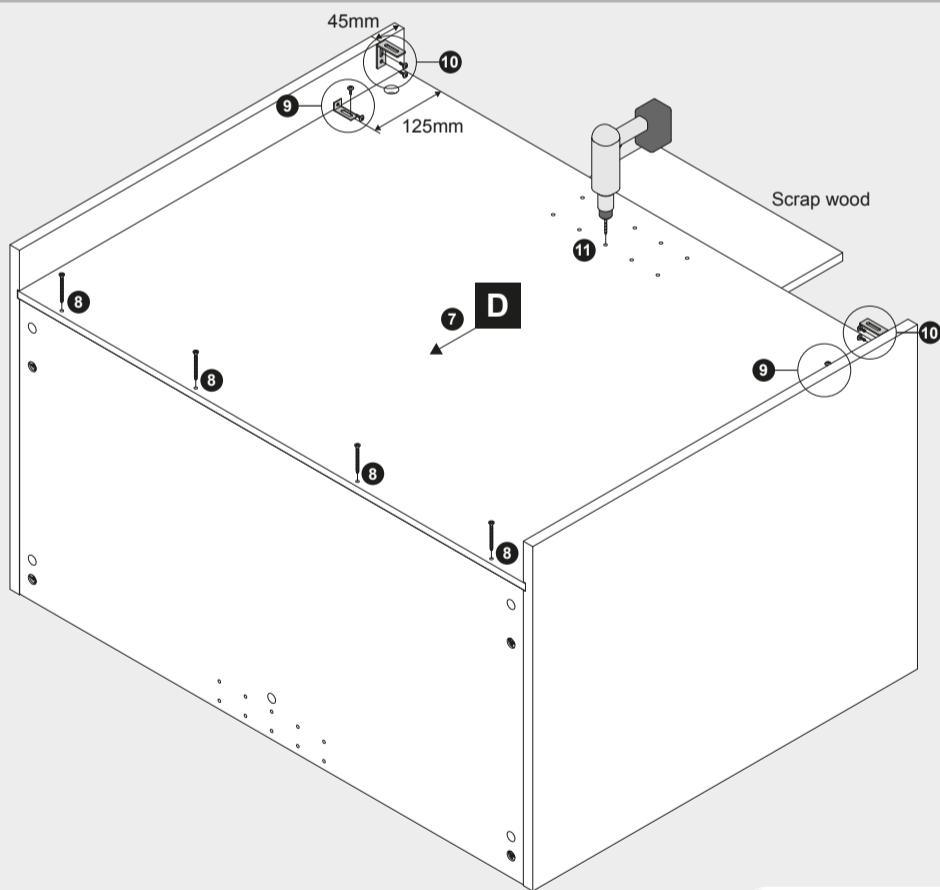


3 6

5 — 6



7 — 11



8 4

9 2
 2
 2

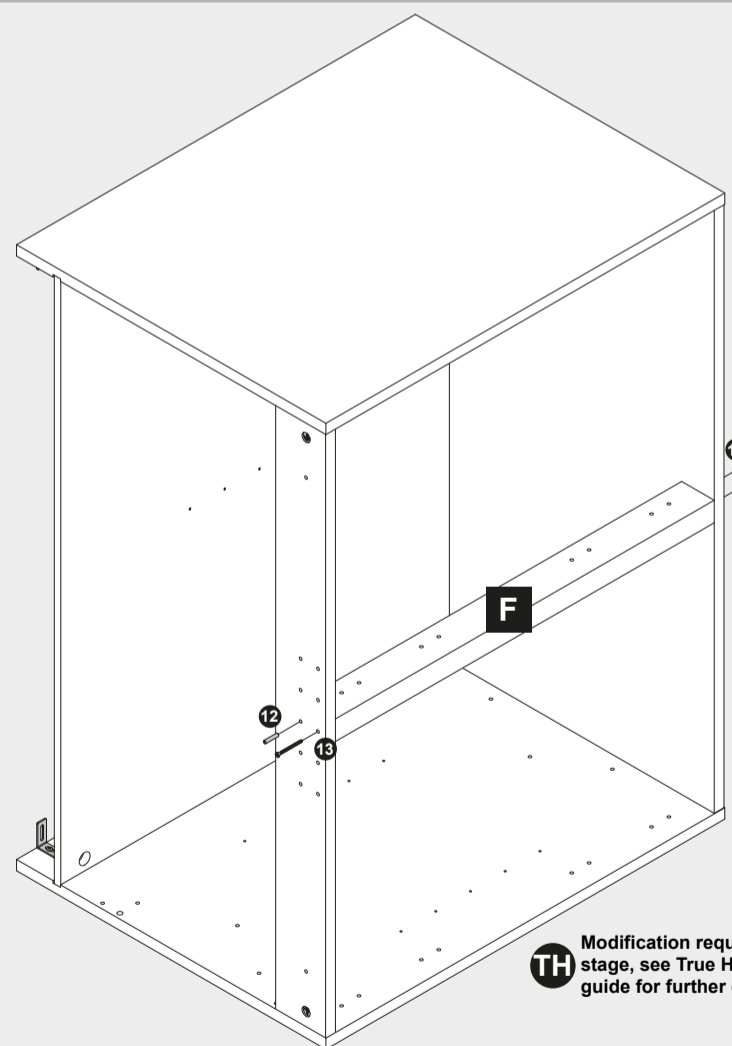
Note: Countersunk screw goes into back panel D.

10 4
 2

11 5mm

Note: Only drill if drawers are being fit. Base Units drill as indicated. Corner Base Units consult kitchen plan for door size and drill accordingly. Only drill from the lower set of holes

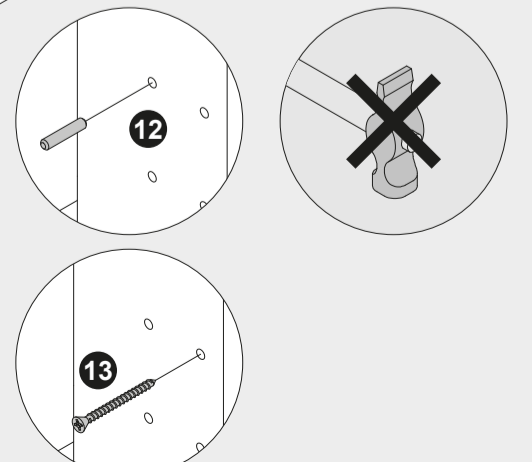
12 — 13 Without Drawers



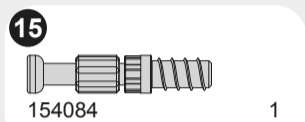
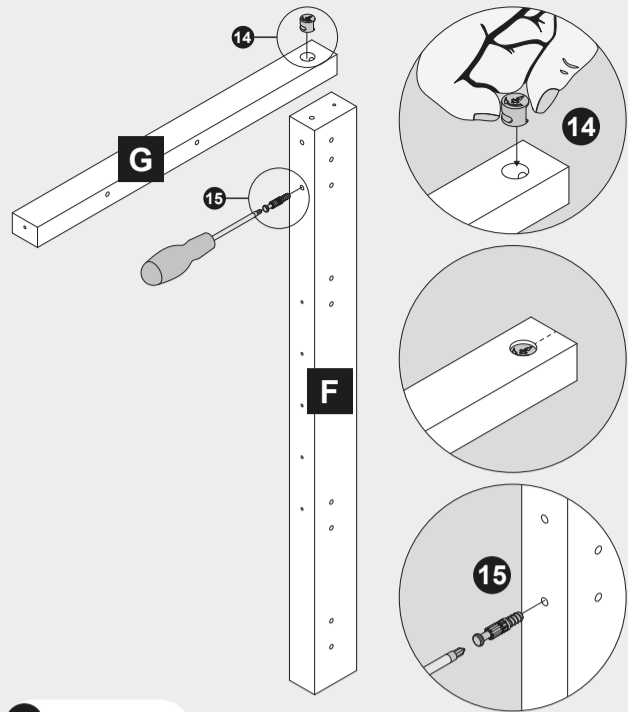
TH Modification required at this stage, see True Handleless guide for further details.

12 2

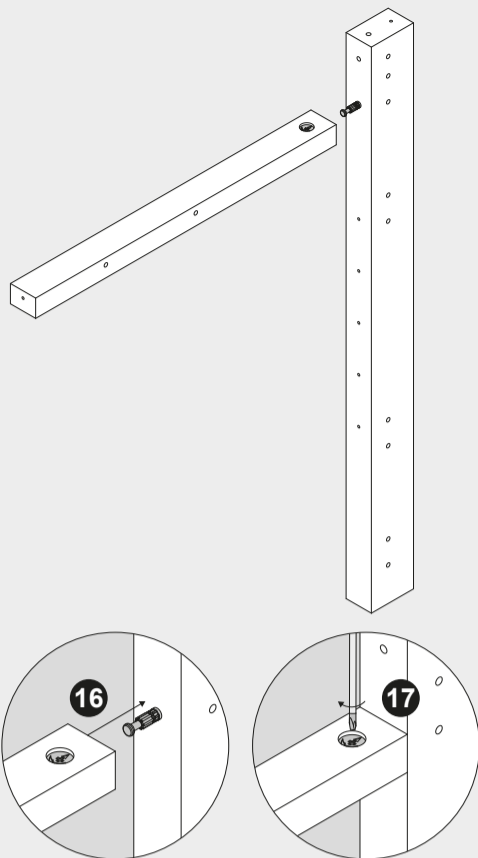
13 2



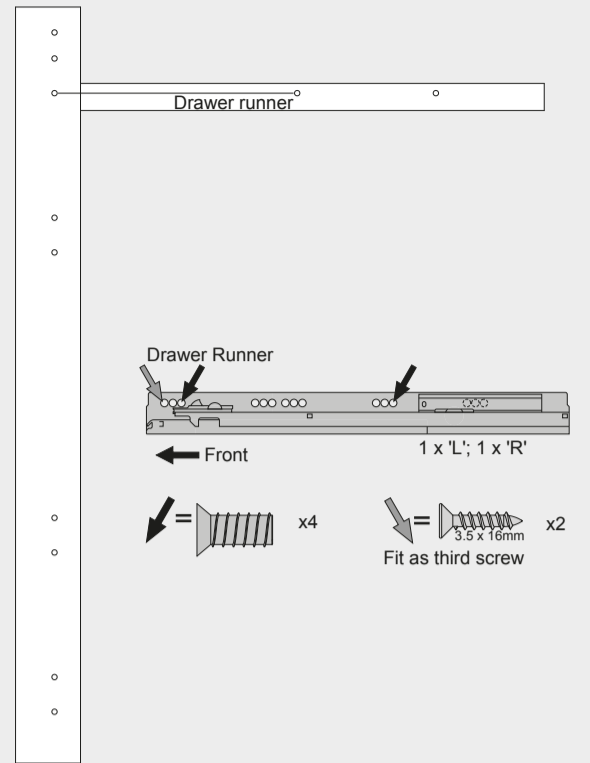
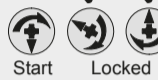
14—15 With Drawers



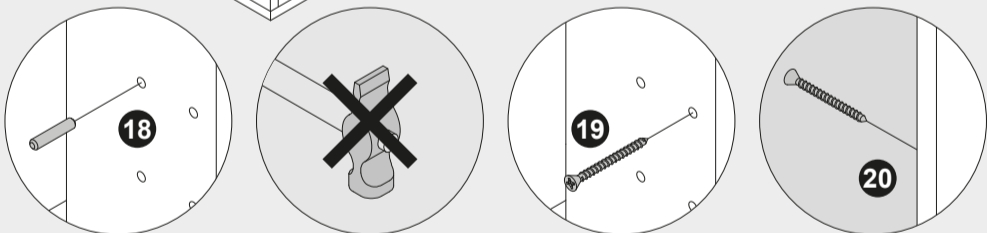
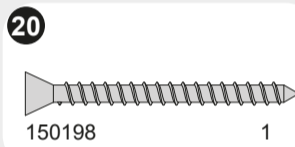
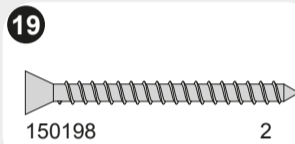
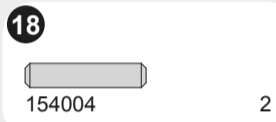
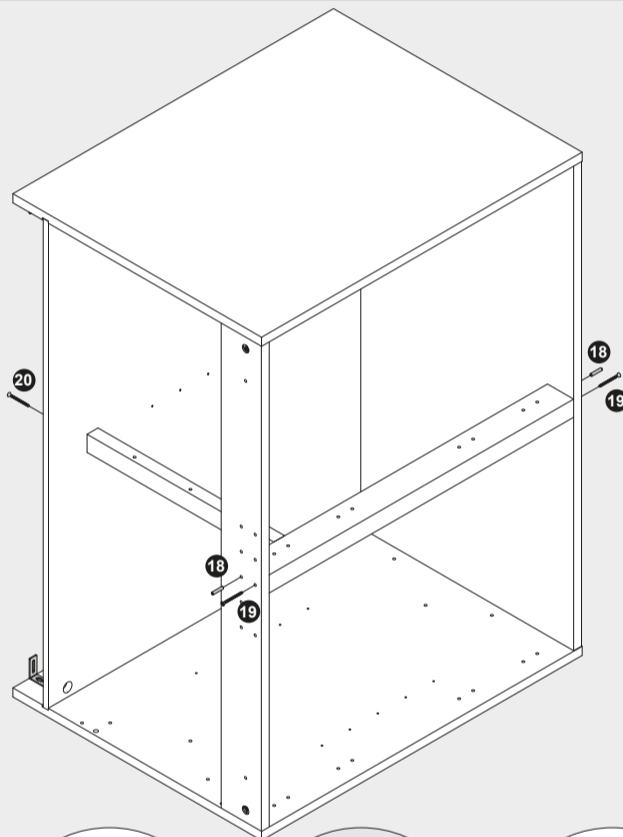
16—17 With Drawers



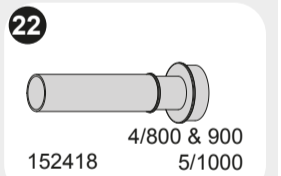
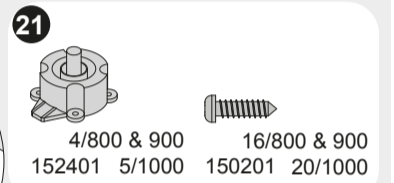
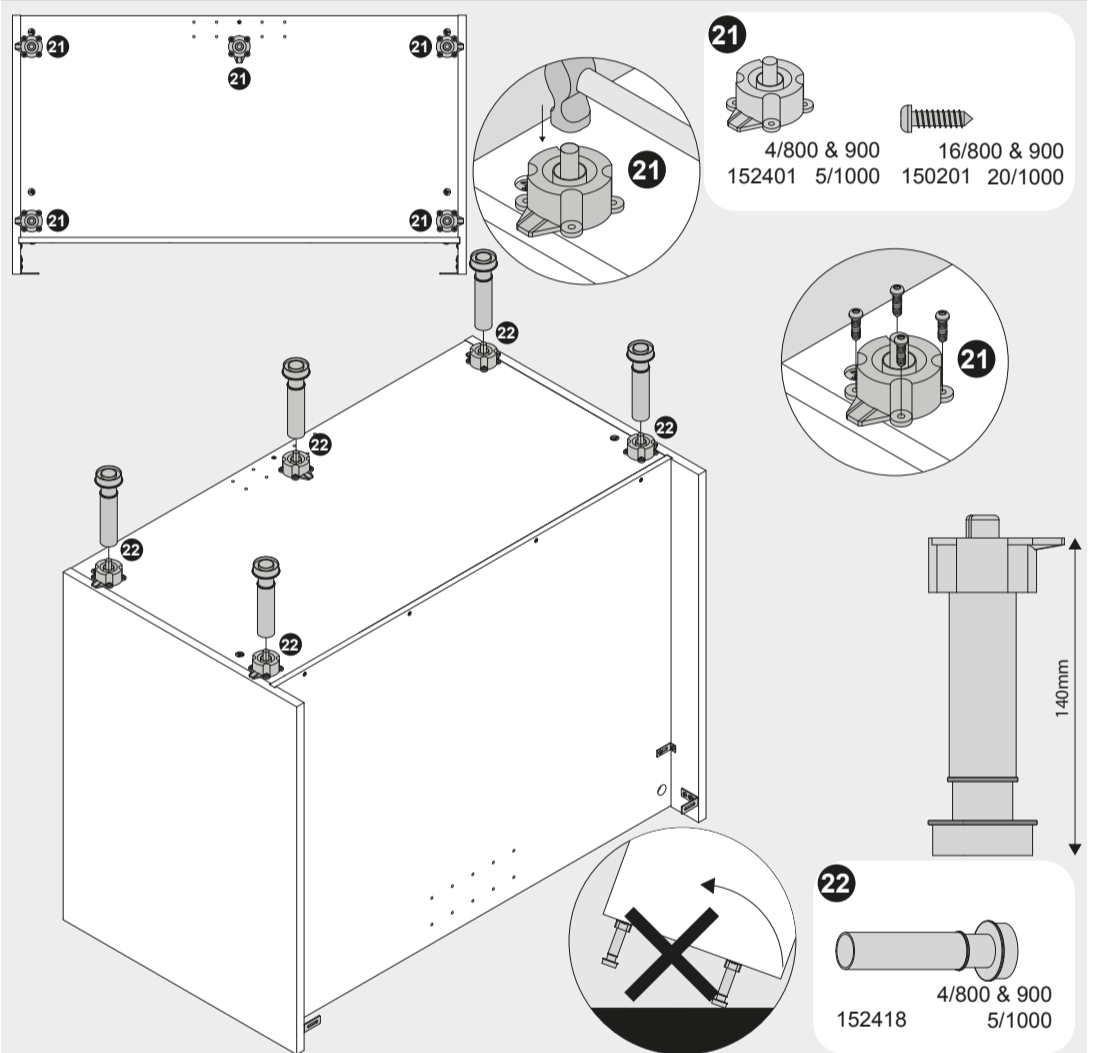
Do Not Over Tighten



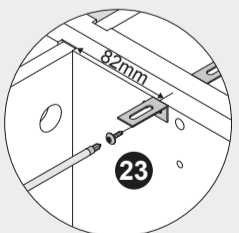
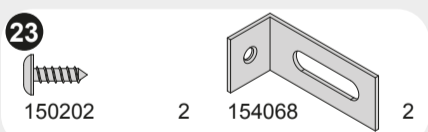
18—20 With Drawers



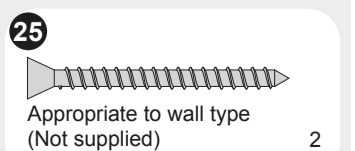
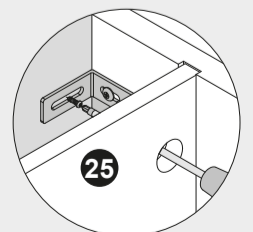
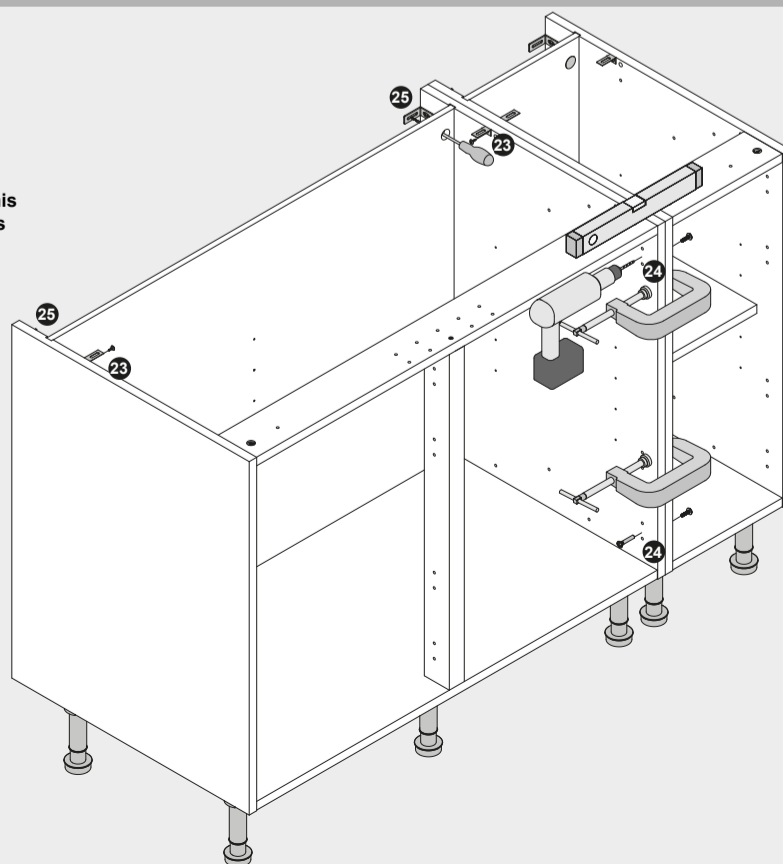
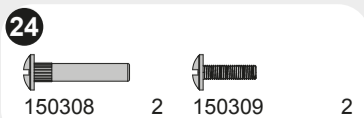
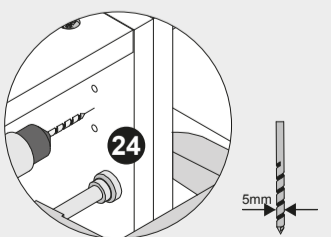
21—22



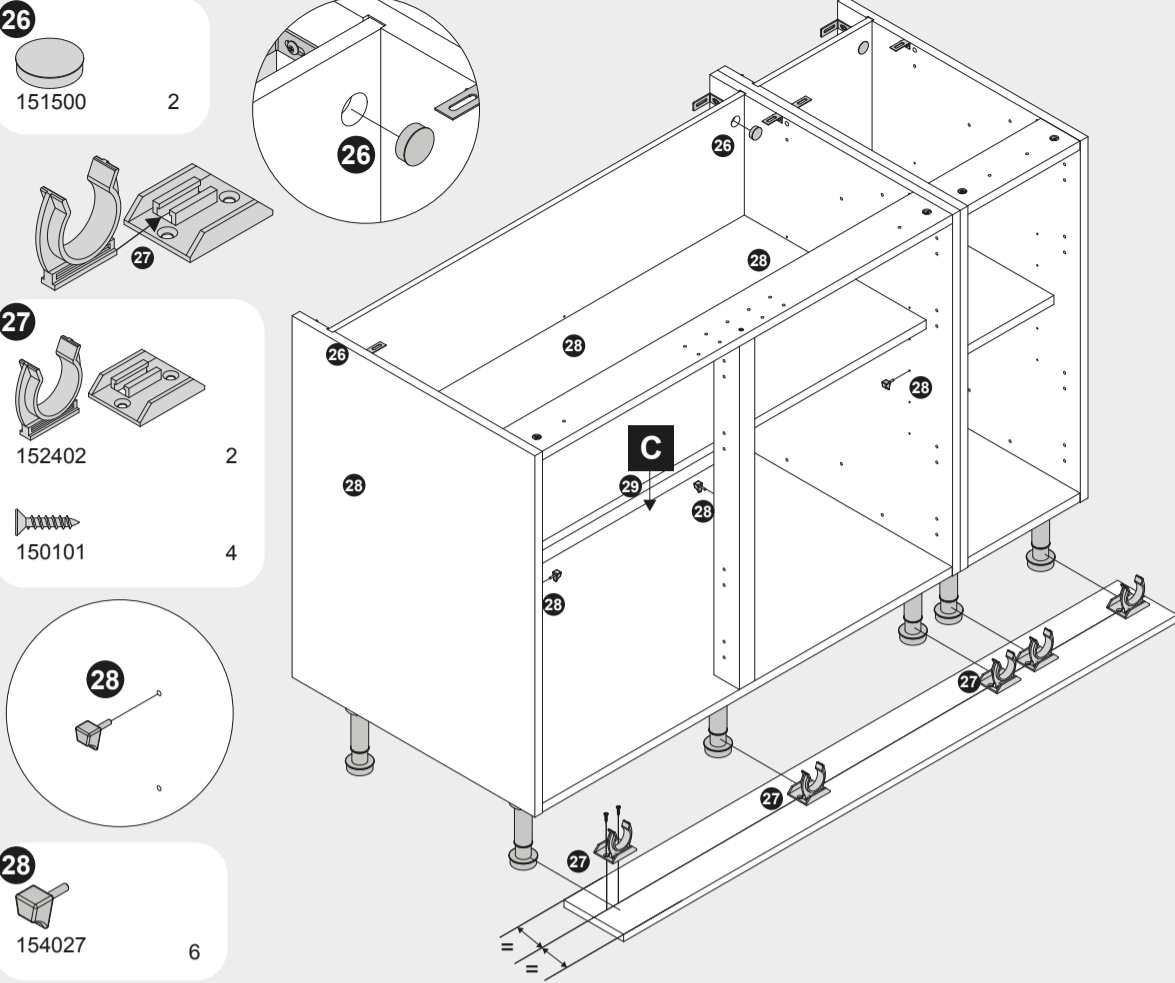
23—25 Installation Instructions



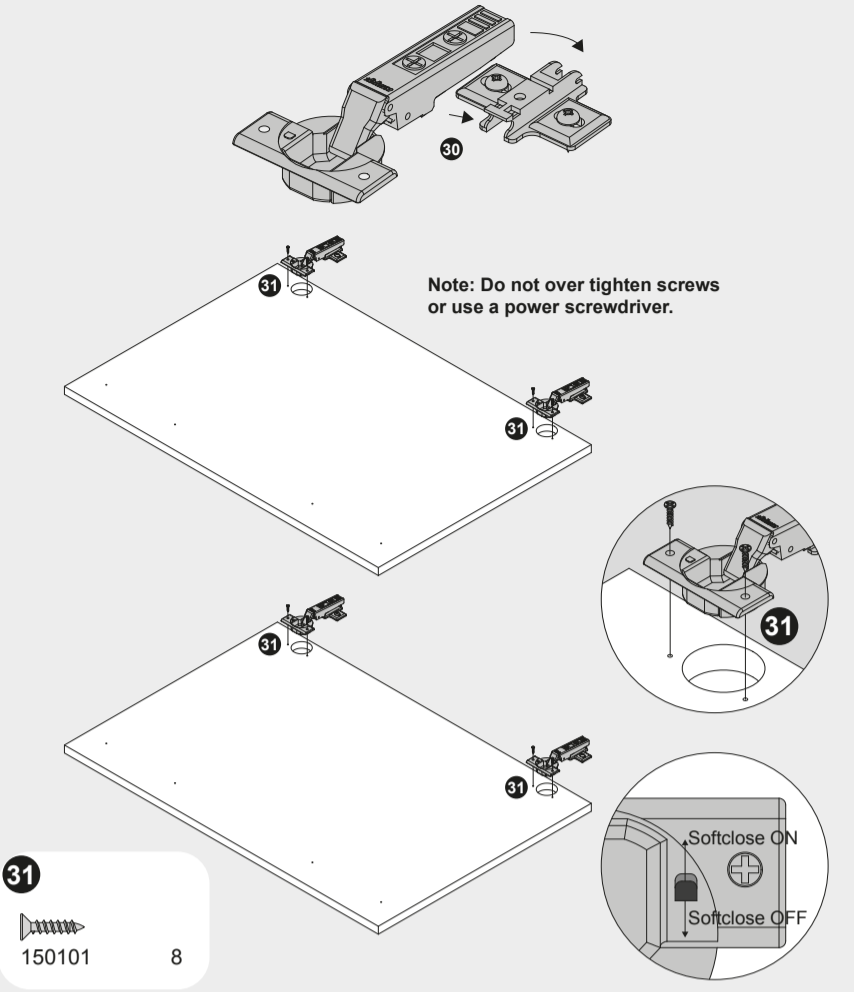
TH Modification required at this stage, see True Handleless guide for further details.



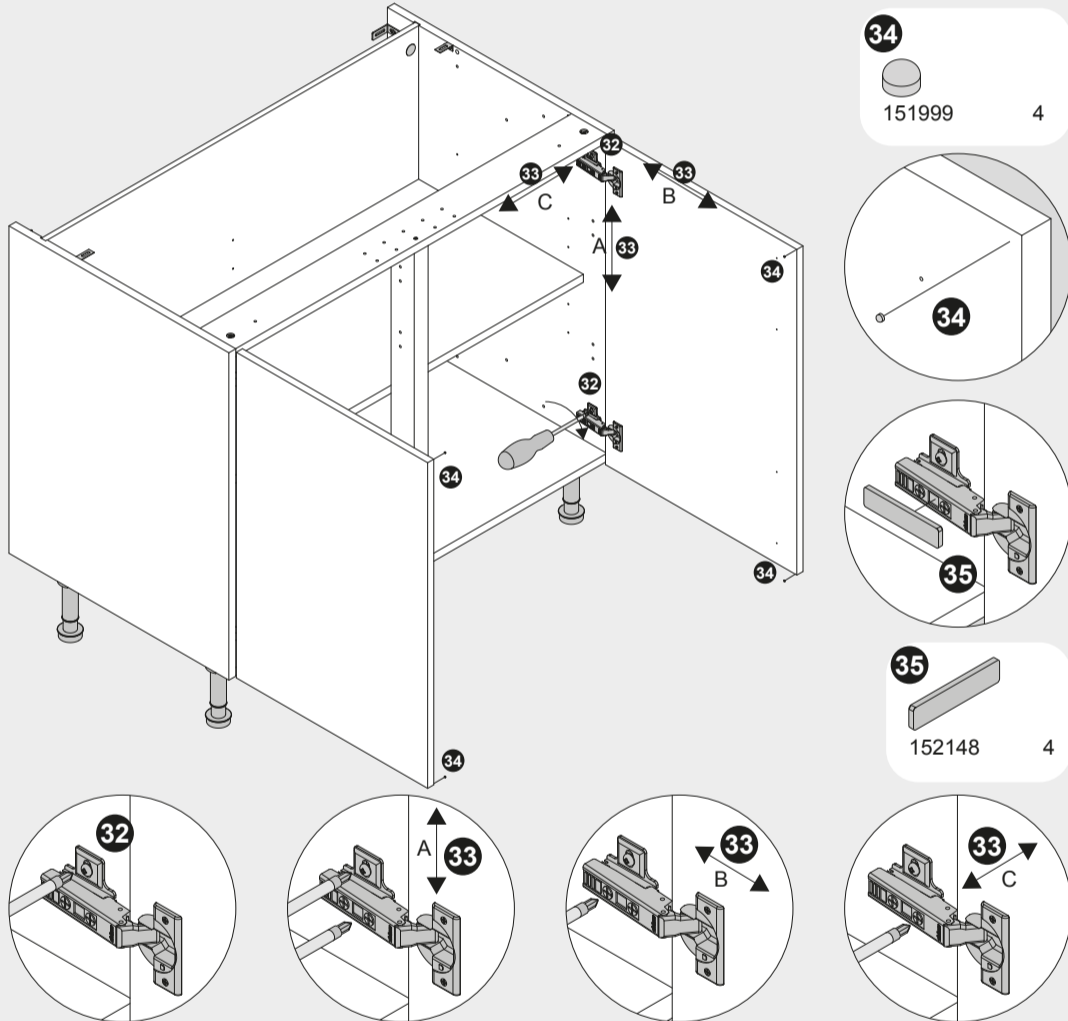
26 — 29



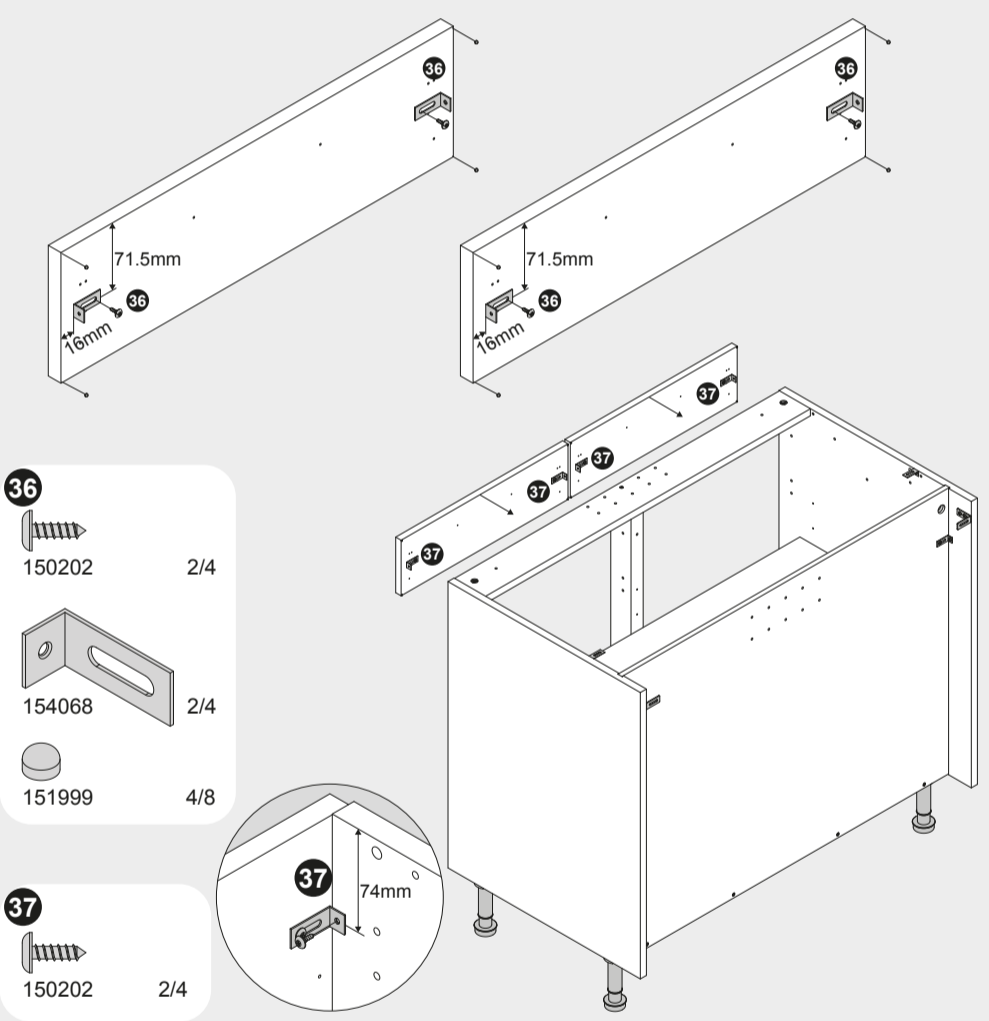
30 — 31



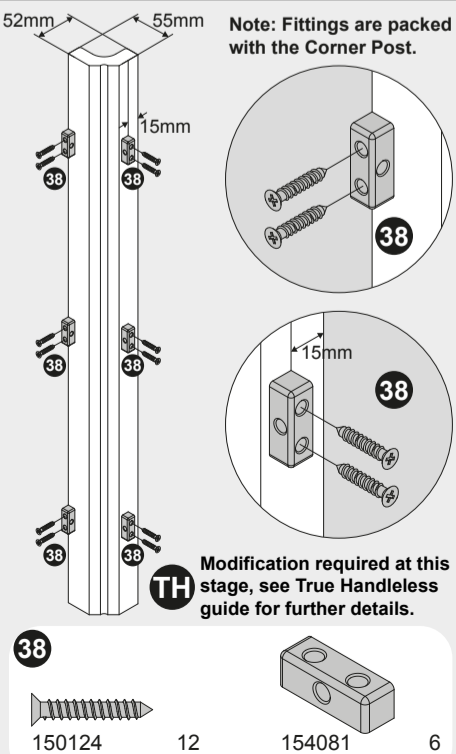
32 — 35



36 — 37 Fixed Fascia Fitting



38 Corner Post Fitting



39 — 41 Corner Post Fitting

