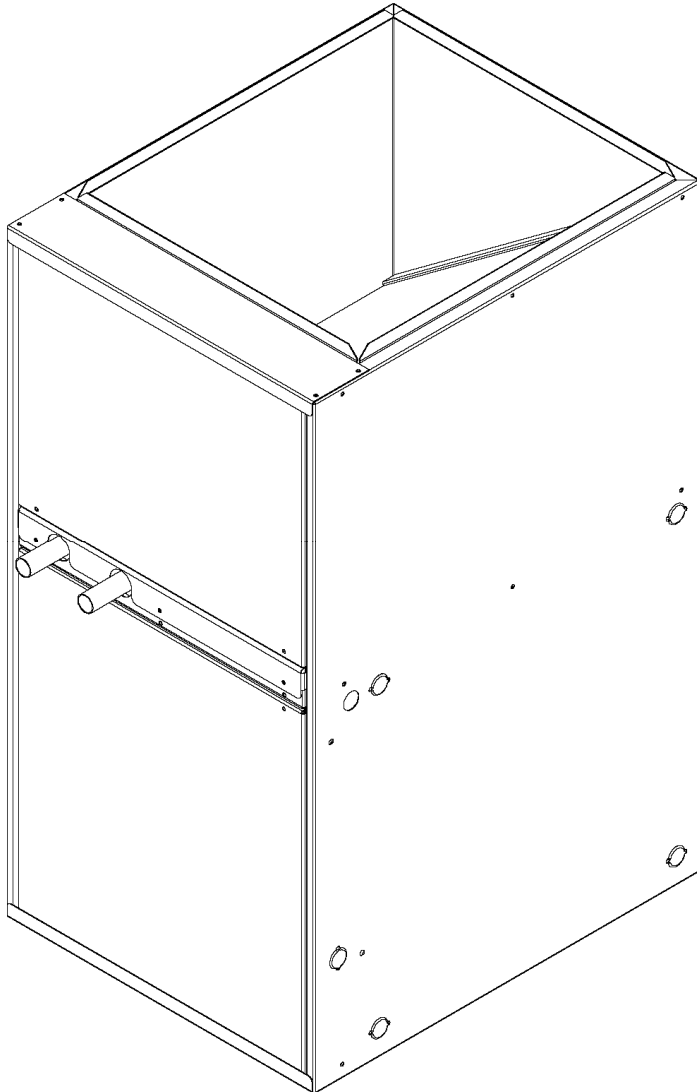


Installation, Operation, and Maintenance Manual



Consumer Safety Information	2
Overview of the Rinnai Hydronic Furnace	3
Model Number Nomenclature	3
Physical Data	4
Receiving & Checking Equipment	5
Installation	
Clearances	5
Locating and Mounting	6-9
Plumbing	10-13
Electrical Connections	14-16
Dip Switch Options.....	17
Thermostat Installation.....	17-18
Start-Up Procedure	19
Troubleshooting	20-23
Sequence of Operation	24-26
Maintenance.....	26, 27
Selection Guide.....	27, 28
Air Distribution Guide	28, 29
Quick Reference Duct Sizing Chart	30
Hydronic Furnace's Specifications.....	31
Air Delivery and Performance Data	32-51
Accessories.....	59
Wiring Diagrams	60-62
Parts List	63-64
Limited Warranty	65-66

To register your hydronic furnace or tankless water heater, please visit www.rinnairegistration.com.

Quality Assurance



This product is manufactured in a facility registered by UL to ISO 9001.

Consumer Safety Information

SAFETY DEFINITIONS



Indicates safety alerts. When this symbol is seen on the Hydronic Furnace and in all instructions and/or manuals, be alert to the potential for personal injury. Recognize signal words DANGER, WARNING, and CAUTION. These words are used with the safety alert symbol.

DANGER

Indicates an imminently hazardous situation which, if not avoided, will result in death or serious injury.

WARNING

Indicates a potentially hazardous situation which, if not avoided, could result in death or serious injury.

CAUTION

Indicates a potentially hazardous situation which, if not avoided, could result in minor or moderate injury. It may also be used to alert against unsafe practices.

NOTICE

This is used to highlight important information which will aid in installation, improve reliability or enhance operation.

SAFETY CONSIDERATIONS

Before any work is undertaken, it is imperative to observe all precautions as stated in this manual, on tags, and/or labels, together with any other safety measures that may apply.

- Wear safety glasses and work gloves.
- When practical, objects to be brazed shall be moved to a designated safe location or, if the objects to be brazed cannot be readily moved, all movable fire hazards in the vicinity shall be taken to a safe place, or otherwise protected.
- Use quenching cloth for all brazing and un-brazing operations.
- Suitable fire extinguishing equipment shall be immediately available in the work area and shall be maintained in a state of readiness for instant use.

Read these installation instructions carefully and adhere to all WARNINGS and CAUTIONS. Consult local building codes, Occupational Safety & Health Administration (OSHA) and National Electrical Code (NEC) for special requirements.

Improper installation, modification, service, maintenance, or use of Hydronic systems can cause electrical shock, burns or other conditions which may cause personal injury or property damage. Consult a qualified installer, service agency, or your distributor for information or support. The qualified installer or agent must use factory authorized kits and/or accessories when installing this product. Refer to the appropriate Rinnai® literature for listing.

WARNING

Before installing or servicing the Hydronic Furnace, always turn off all power to unit. There may be more than 1 disconnect switch. Electrical shock can cause personal injury or death.

CAUTION

Failure to follow this caution may result in personal injury. Sheet metal parts may have sharp edges or burrs. Use care and wear appropriate protective clothing.

NOTICE

Application of this Hydronic Furnace should be indoors. Special attention should be given to unit sizing and piping, filling, and purging.

Read the entire instruction manual before starting the installation.

Overview of the Rinnai Hydronic Furnace (RHF)

INTRODUCTION:

The optimum in hydronic technology: the updated Rinnai® multi-position Hydronic Furnaces offer a unique solution for a wide variety of small and medium sized residential and light commercial applications. They are compact and ready to fit in tight spaces which may include, but not limited to, attics, basements, closets, crawlspaces, and utility rooms.

The 37AHB units are equipped with an intelligent microprocessor control that allows for domestic hot water priority and adapts to available hot water flow for space heating by automatically regulating the pump and blower sequence to maximize comfort.

These unique Hydronic Furnaces are designed to work in combination with our line of Rinnai® tankless products to deliver a wide variety of heating capacities that cover the entire residential and light commercial heating spectrum.

Because our units are designed specifically to the Rinnai® tankless products, our stated capacities are fine tuned and are based on the "Hydronic Furnace / Tankless Water Heater" match set and **NOT** a given water flow rate.

CODES AND STANDARDS:

It is the responsibility of the installer to follow all national codes, standards and local ordinances, in addition to instructions laid out in this manual. The installation must comply with regulations of the local building, heating, plumbing, and other codes. Where local codes are not applicable, the installation must comply with the national codes and any and all authorities having jurisdiction.

The following is a suggested list of codes and standards for the United States and Canada:

General Installation

Installation of Air Conditioning and Ventilating Systems
NFPA 91 (latest edition)

Duct Systems

Sheet Metal and Air Conditioning Contractors National Association (SMACNA)

American Society of Heating, Refrigeration, and Air Conditioning Engineers (ASHRAE)

2001 Fundamentals Handbook Chapter 34 or 2000 HVAC Systems and Equipment Handbook Chapters 9 and 16

US and CANADA: Air Conditioning Contractors Association (ACCA) Manual D

Acoustical Lining and Fibrous Glass Duct

US and CANADA: current edition of SMACNA; NFPA 90B as tested by UL Standard 181 for Class I Rigid Air Ducts

Electrical Connections

US: National Electrical Code (NEC) ANSI/NFPA 70 (latest edition)

CANADA: Canadian Electrical Code CSA C22.1 (latest edition)

Plumbing Systems:

US and CANADA: ICC International Plumbing Code (IPC); Uniform Mechanical Code (UMC); Uniform Plumbing Code (UPC)

Model Number Nomenclature

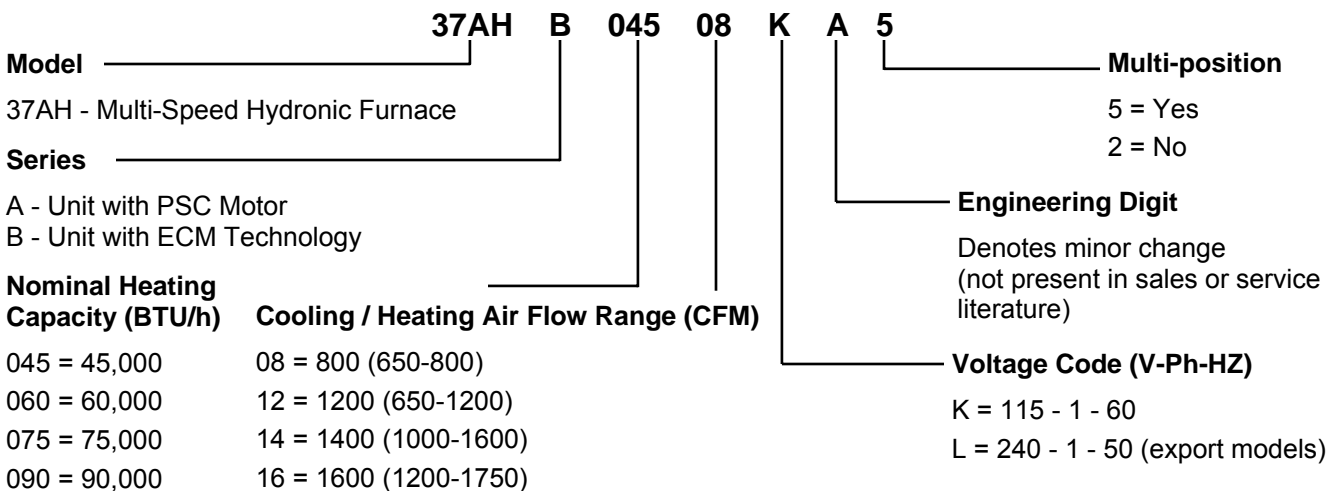


Table 1 - Physical Data

UNIT SIZE	DIMENSIONS									
	A		B		C		D		E	
	in.	mm	in.	mm	in.	mm	in.	mm	in.	mm
37AHB04508KA5	14	355.6	18	457.2	12	304.8	10 - 1/2	266.7	19	482.6
37AHB06012KA5	17 - 1/2	444.5	18	457.2	16	406.4	16 - 11/16	423.9	19 - 1/4	489.0
37AHB07514KA5	21	533.4	18	457.2	20	508	18 - 11/16	474.7	19 - 1/2	495.3
37AHB09016KA5	24 - 1/2	622.3	18	457.2	24	609.6	21 - 1/8	536.6	19	482.6

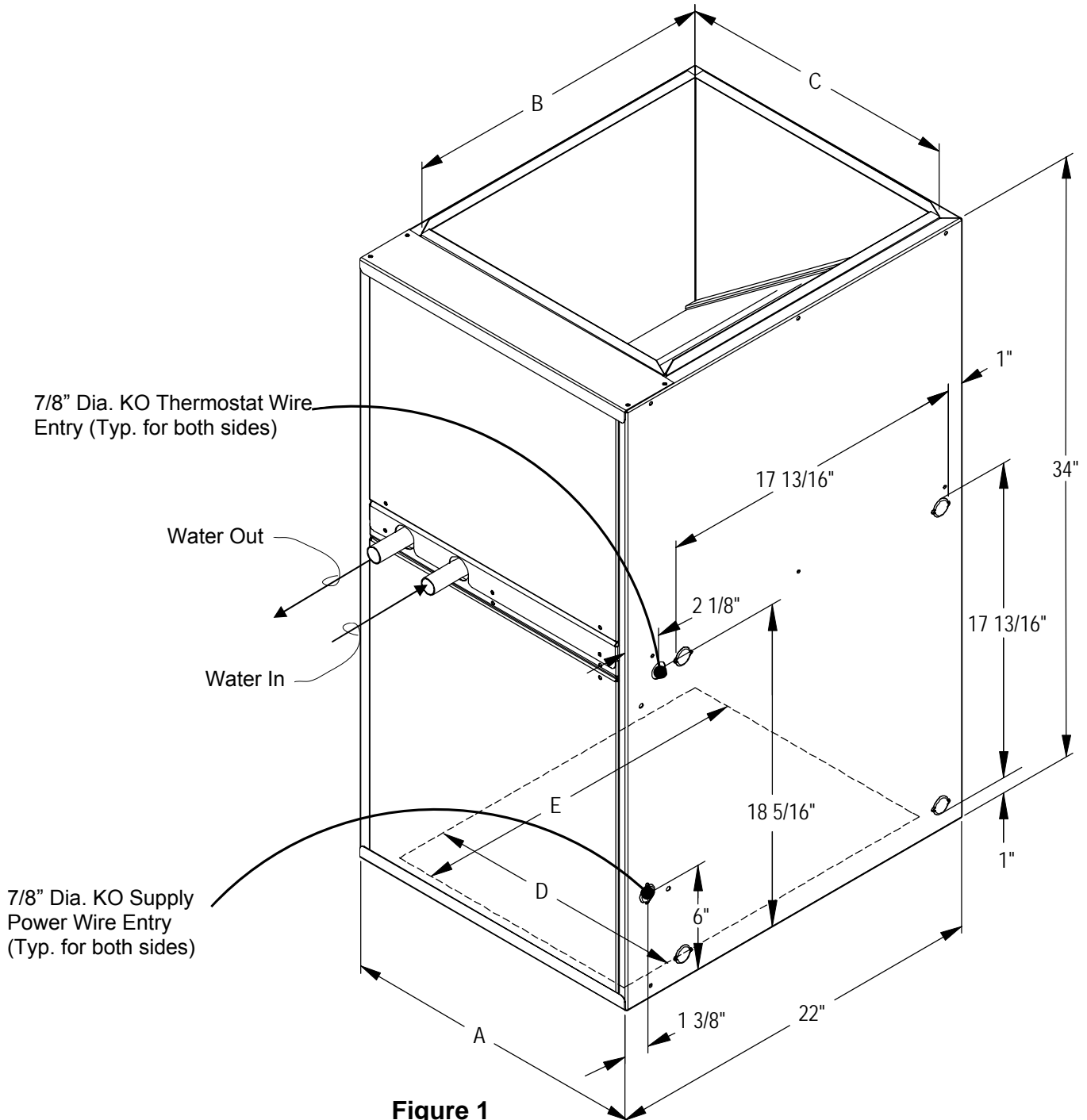


Figure 1

Receiving and Checking Equipment

IDENTIFY UNIT

The unit model number and serial number are stamped on the unit identification / name plate (located on the top right side of unit). Check this information against shipping papers and job requirements.

INSPECT SHIPMENT

Upon receipt of a 37 Series Hydronic Furnace the packaging should be checked for peripheral signs of transportation damage while unit is still in the shipping package. If unit appears to be damaged or is torn loose from its anchorage, the unit shall be immediately examined by the receiving party before removal. If

damage is found, the receiving party must sign the driver's delivery receipt noting all damage (i.e. carton damage and/or product damage) as well as contact the last carrier immediately, preferably in writing, requesting inspection by the carrier's agent. All claim papers **MUST** be forwarded to Rinnai® America Corporation for processing. In general, upon receipt of product, be sure to check all items against shipping list; if items are found to be missing, it should be noted as such on the driver's delivery receipt; and the receiving party shall also immediately notify the area distributor. To prevent loss or damage, leave all parts in original packages until installation.

Installation

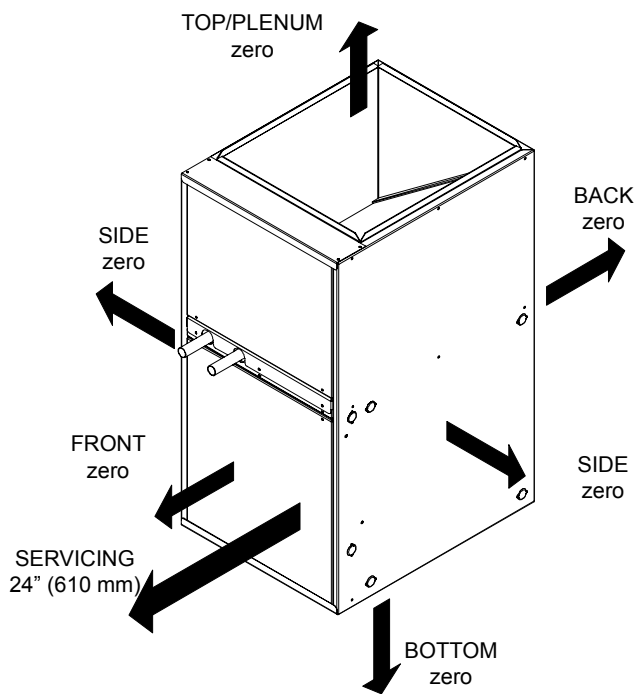


Figure 2: Minimum Clearance to Combustible Construction

The 37AHB Series Hydronic Furnace needs to be installed and commissioned by a knowledgeable qualified professional.

NOTES:

1. This Furnace is approved for up-flow, down-flow, and horizontal configurations.
2. Clearance arrows do not change with Hydronic Furnace orientation.
3. **This Hydronic Furnace is for indoor installation only.**
4. Unit(s) shall be installed in such a way as to ensure that the electrical components are protected from any contact with water.
5. Unit(s) shall not be installed directly on any combustible material other than wood flooring.
6. This unit is designed to be used with an air distribution system (ductwork). Refer to section the Air Distribution.
7. The installer shall provide ample space for servicing and cleaning. Always comply with minimum clearances as shown in Figure 2.
8. The 37AHB units are designed to be installed vertically or horizontally on the floor; units may also be hung from the ceiling or wall. Be sure to allow appropriate clearances for wiring, piping, and servicing.

WARNING

Do not install this unit if the unit is damaged.
Do not install this unit if any part or all of unit has been under water. Refer to the Receiving and Checking Equipment section.

Installation

LOCATING AND MOUNTING THE HYDRONIC FURNACE

General

The multi-position 37AHB Series Hydronic Furnaces are shipped in packaged configuration. This means that the units may be installed without assembly and/or modifications when configured for bottom return air inlet application; however, some modifications and assembly are necessary if units are to be installed in an application that requires side return air inlet arrangement. For instructions on required modifications and assembly refer to Figures 3 and 4.

NOTE: For side return application, obtain Side Filter Rack and "Bottom Fill Plate" from your area authorized Rinnai® distributor.

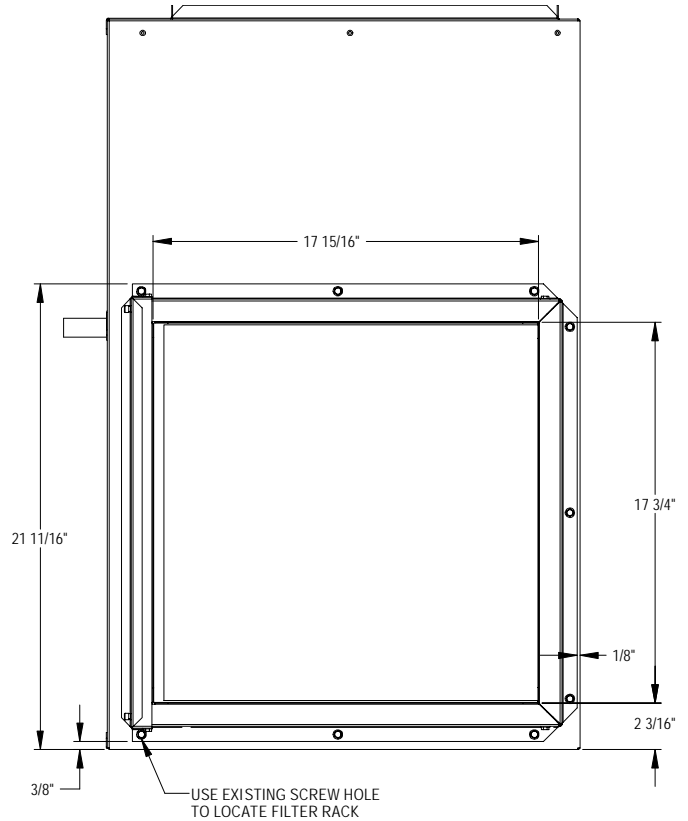


Figure 4: Side Filter Rack Installation

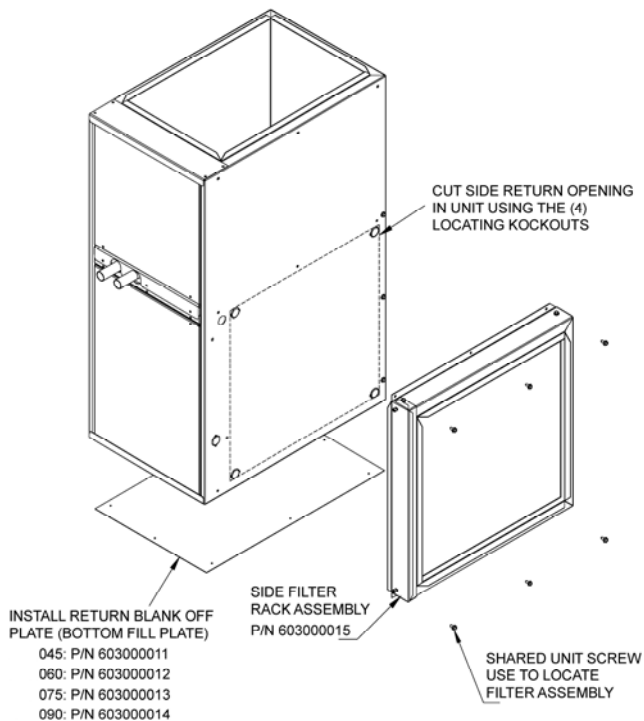


Figure 3: Modification of Unit to Accommodate Side Filter Rack Installation

Installation

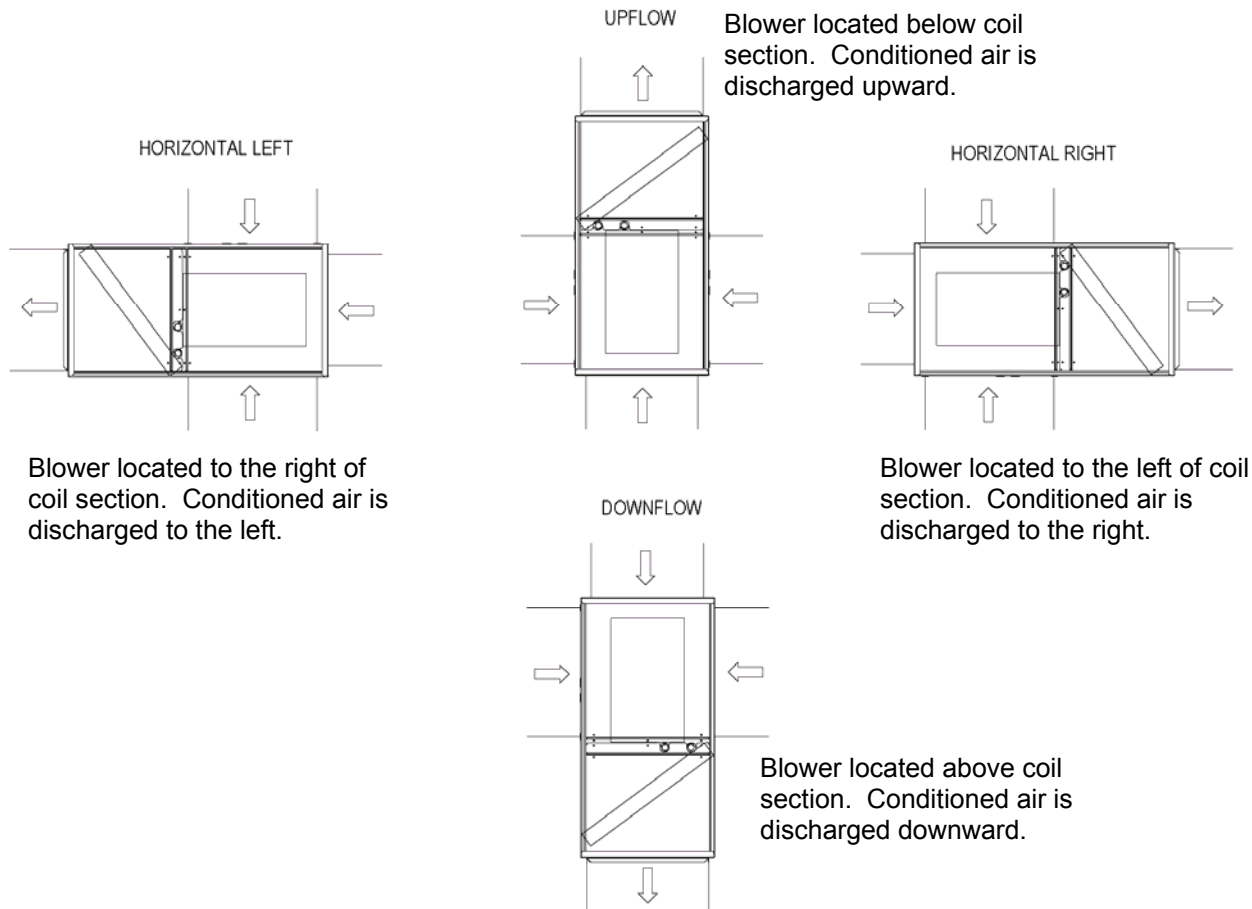


Figure 5: Multi-Position Orientation

Upflow Installations

The 37AHB Hydronic Furnace is ready to install in the up-flow position without modifications.

The unit **MUST** be supported on the bottom **ONLY** and set on a field supplied supporting frame or plenum. Supporting frame or plenum must be anchored to the unit and to the floor or wall.

The 37AHB Furnaces are shipped without a bottom fill plate. If side return installation is desired, the return opening (Bottom) must be blanked off. If a bottom fill plate is required, install only a factory authorized bottom fill plate. Refer to the Rinnai Accessory list for details. For side filter rack installation instructions refer to Figures 3 and 4.

Downflow Installation

The 37AHB Hydronic Furnace is ready to install in the down-flow position without assembly or modifications when configured for bottom return air inlet installation. If side return air inlet installation is desired refer to Figures 3 and 4.

Horizontal Left and Right Installations

Without Cased Coil:

If a cased coil is **NOT** being installed, the cabinet can be placed on either side for horizontal airflow as shipped, when configured for bottom return air inlet installation. If side return air inlet installation is desired refer to Figures 3 and 4.

With Cased Coil (Field Supplied):

Refer to the manufacturer's Cased Coil installation instructions for details.

Installation

CLOSET INSTALLATION (RETURN AIR THRU OPENING OR GRILL)

The 37AHB Hydronic Furnace can be installed in a closet on a supporting stand or be mounted from the closet wall using the closet as the return air plenum. Unit should be high enough from the floor to provide unimpeded return air flow into the bottom of the cabinet.

Closet return air opening can be on the front (in closet door), side (thru the wall) or a combination of both, providing there is clearance on the sides between unit's cabinet and closet. Refer to ACCA Manual D or SMACNA for sizing and free area recommendations.

NOTE: Local codes may limit application of systems without a ducted return to single story dwellings.

SUSPENDED CABINET INSTALLATION

If the cabinet cannot be supported on a frame or supported from the wall, it may be suspended.

Use metal strapping or threaded rod with angle iron under cabinet for support. These supports **MUST** run parallel with the length of the cabinet (see Figures 6 and 7).

Ensure that there is adequate room to remove service and access panels after installing supporting brackets.

If an auxiliary drain pan is required, the support is to be placed under the drain pan. In such installations the unit will need to be supported on vibration isolators (rubber or Styrofoam blocks).

IMPORTANT: When a 37AHB unit is matched with an evaporative type (cased coil/condensing unit) split system for cooling application and the system is installed above a finished ceiling and/or an occupied space, building codes may call for a secondary insulated condensate pan (by others) to be installed under the entire unit. In other instances, some local codes may allow the running of a separate, secondary condensate line in lieu of the required drain pan. It is the responsibility of the installer to consult local codes for compliance.

WARNING

It is the installer's responsibility to use an appropriate hanging method capable of supporting the unit's weight. Refer to the specification section of this document for the respective unit's installed weights.

NOTICE

For seismic hanging requirements, refer to local codes.

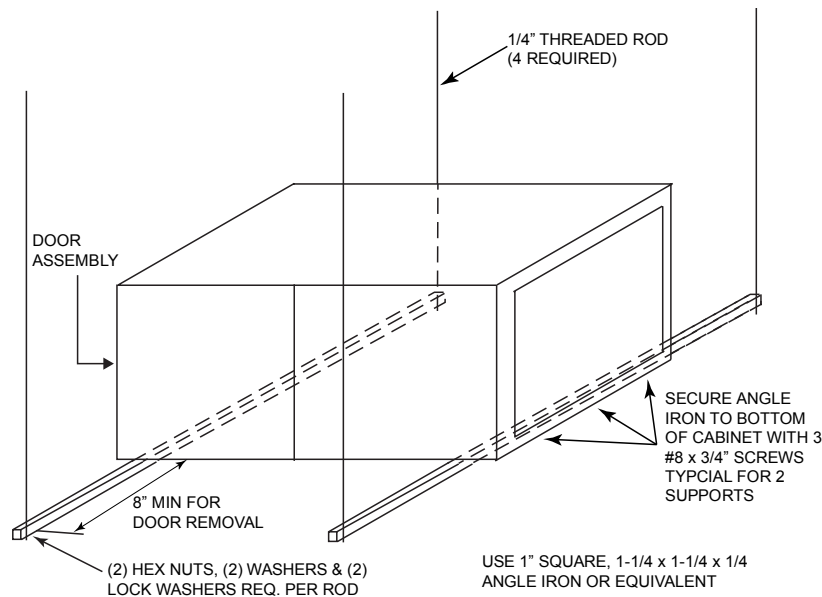


Figure 6: Horizontal Unit Suspension

Installation

Attachment Methods Using Straps

Method 1

Use (4) #8 x 3/4 sheet metal screws for each strap. Straps to be vertical against the unit's sides and not allowed to be pulled away from the sides.

Method 2

Fold all straps under the furnace and secure with (4) #8 x 3/4 sheet metal screws (2 screws at the side and 2 screws at the bottom. (Care must be taken not to drive the screw through the coil.)

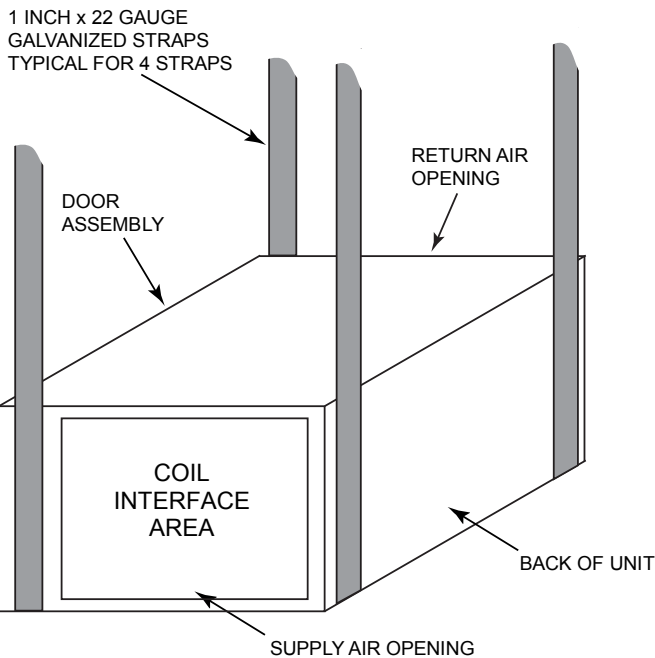


Figure 7: Horizontal Unit Suspension with Straps

DUCT CONNECTIONS

Supply Duct

The supply ductwork must be attached to the outside of the flange on the air discharge end of unit. Flexible connectors may be used if desired.

Return Duct

The return ductwork should be attached to the air return side (bottom or side) of unit using sheet metal screws or other fasteners.

For side return air inlet installation see the Figures 3 and 4.

FILTER INSTALLATION

Internal filter rack and a 1 inch disposable filter are standard on all models. Refer to the Specifications section for dimensions.

AIR SYSTEM

Existing Ductwork

It is the responsibility of the installer to inspect all previously installed air distribution systems to determine its suitability for the new heating and/or cooling system. Existing ductwork may have to be modified and/or insulated to provide satisfactory air distribution.

Ductwork Installation

Connect the supply-air duct over the outside of 3/4-in. flange on the unit's discharge side. Secure the duct to the flange with proper fasteners for the type of duct used. Support the duct independently.

Use flexible connectors (if desired between the ductwork and the unit to prevent transmission of vibration.

Use insulation with vapor barrier for ductwork passing

PROHIBITED INSTALLATIONS

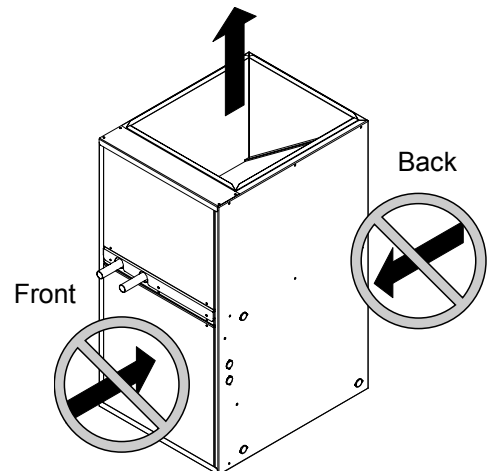


Figure 8: The air inlet is not allowed to be at the front or back of the furnace

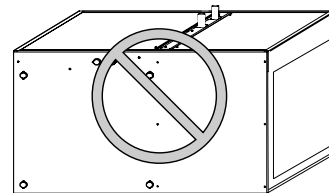


Figure 9: Do not position the furnace on its back or with it face down.

NOTE:

Multiple Furnace configured for installation with a single Rinnai Tankless Water Heater is prohibited.

Installation

PLUMBING

Codes:

Observe all local sanitary codes when installing water lines. The water supply mating connection to the 37AHB Hydronic Air-Handling Units are made via the two (3/4 in. Dia. X 2-1/2 in. Long) copper stubs to the front-left of the unit labeled "WATER IN" and "WATER OUT" (see Figure 1). Mating connectors to be two field supplied 3/4 in. FNPT-sweat ends or two field-supplied 3/4 in. SharkBite type FNPT-push fitting ends or equivalent.

All associated hydronic piping **MUST** comply with ICC, UPC and any other local codes or ordinances having jurisdiction. **USE POTABLE GRADE COPPER OR OTHER PIPING MATERIALS. MATERIALS TO BE LEAD FREE APPURTENANCES ONLY.**

NOTE: Recommended piping, fittings, valves and other appurtenances (exclusive of those indicted as accessories that are available through Rinnai distribution) called for in piping schematics to be field-supplied.

Flow Sensor Installation:

(Required for Open Loop Systems)

Care must be taken to ensure that the flow sensor is not damaged due to excessive tightening. The torque must not exceed the maximum limit stated below. The installation should be checked to ensure that no leaking is evident.

Mating connectors to be (2) 3/4" FNPT fittings (field supplied).

Pipe-work/connector alignment is imperative (avoid bending stress).

Polytetrafluoroethylene (PTFE) thread seal tape (teflon tape), or equivalent, is recommended.

Tighten fittings to maximum torque of 15lb/ft (20Nm).

Soldering Copper Tubing:

The common method of joining copper tubing in hydronic heating systems is soft soldering. Plumbing codes do not allow solders containing lead to be used for domestic water service. **USE ONLY 95/5 tin/antimony solder** for all piping systems that incorporate a domestic water supply.

Note: Precautions must be taken during soldering to avoid debris or solder from lodging in piping system.

Mechanical Joining of Tubing:

Where used, refer to the respective mechanical system manufacturer's installation instructions.

Tubing Insulation:

Any tube conveying fluid at a temperature greater than that of the surrounding air releases heat.

Insulate all accessible hot water lines and associated valves with material, such as expanded neoprene or polyurethane 3/8-in. to 1/2-in. thick.

Match the pipe sleeve's inside diameter to the pipe's outside diameter for a snug fit. Place the pipe sleeve so the seam will be face down on the pipe. Tape, wire, or clamp insulation every foot or two to secure it to the pipe. If taping is desired, use acrylic tape instead of duct tape.

Copper Tubing Support:

Copper tubing must be properly supported to prevent sagging or buckling. On horizontal runs with hard temper tubing, the following maximum support spacing is suggested:

- 1/2 in. to 3/4 in. tube: 5 feet maximum spacing
- 1 in. to 1-1/4 in. tube: 6 feet maximum spacing
- 1-1/2 in. to 2 in. tube: 8 feet maximum spacing

The above suggested spacing does not account for extra weight of piping components such as an expansion tank, etc. When such components are present the piping should be supported immediately adjacent to the component.

On vertical runs, copper tubing should be supported at each floor level or at a maximum of every 10 feet.

Thermal Expansion of Piping:

In all hydronic systems, piping undergoes temperature swings as the system operates. This causes changes in the length of the piping due to thermal expansion.

If the piping is rigidly mounted, this expansion can cause annoying popping or squeaking sounds and in extreme cases, the piping can even buckle.

To counter expansion movement, design piping circuits with sufficient elbows, tees or expansion loops (only used in large systems) or piping supports that allow the tubing to expand and contract freely.

Another alternative is to install an expansion compensator fitting capable of absorbing the movement.

Installation

Hydraulic Resistance of Fittings, Valves, and Other Devices:

Before the total hydraulic resistance of a piping circuit can be found, the individual hydraulic resistances of all fittings, valves, or other such components must be determined. One approach is to consider each fitting, valve, or other device as an equivalent length of copper tube of the same pipe size (see Table 2).

By using the equivalent length of piping for all components in the circuit, the circuit can be treated as if it were a single piece of pipe having a length equal to the sum of the actual pipe length, the total equivalent lengths of all fittings, valves, or other devices. Refer to Figure 10 and the associated computation of equivalent lengths.

Pipe Sizing Considerations:

When selecting a pipe size for a given flow rate, the resulting average flow velocity should be between 2 and 4 feet per second.

At water flow velocities of approximately 2 feet per second, flowing water will carry air bubbles along a vertical pipe. Average flow velocities of 2 feet per second or higher can draw along air bubbles in a downward flow. At the above stated velocities air bubbles shall be routed to an air separator where they can be collected and discharged from the system. Use Taco 4900 series air separator, Model 49-075, or equivalent (field supplied).

Average flow velocities higher than 4 feet per second could cause flow noise and should be avoided.

Expansion Tanks:

All liquids used in hydronic heating systems expand when heated. For all practical purposes, liquids are incompressible. Any container completely filled with a liquid and sealed from the atmosphere will experience a rapid increase in pressure as the liquid is heated.

To prevent this from occurring, all modern hydronic systems MUST be equipped with an expansion tank. Refer to expansion tank manufacture's instructions for proper sizing and installation.

Installation

PROCEDURE FOR CALCULATING THE TOTAL EQUIVALENT LENGTH OF PIPE

Given piping assembly as shown in Figure 10 below, what is the total equivalent length of the system?

First determine the total straight pipe lengths; next refer to table 2 to determine the equivalent straight pipe length for each fitting shown. Add together the equivalent lengths of piping and fittings.

- 3/4" Tubing (total straight pipe length)....68 ft.
- (6) 3/4" 90 deg. Elbows.....6(2) = 12 ft.
- (2) 3/4" Side port tee.....2(3) = 6.0 ft.
- (1) 3/4" Taco air separator....1(0.3) = 0.3 ft.
- (1) 3/4" Rinnai flow sensor.....1(3.2) = 3.2 ft.
- (2) 3/4" Ball valves.....2(2.2) = 4.4 ft.
- Total Equivalent length.....93.9 ft.**

NOTICE

Where possible the length of pipe should not exceed 150 feet total equivalent length.

Any piping running through unconditioned space **MUST** be insulated to prevent heat loss, and possible freezing of the line.

Stickers indicating direction of flow, (WATER IN, and WATER OUT) are labeled on the outside of the cabinet. **DO NOT** reverse these lines, as this will cause the unit to malfunction.

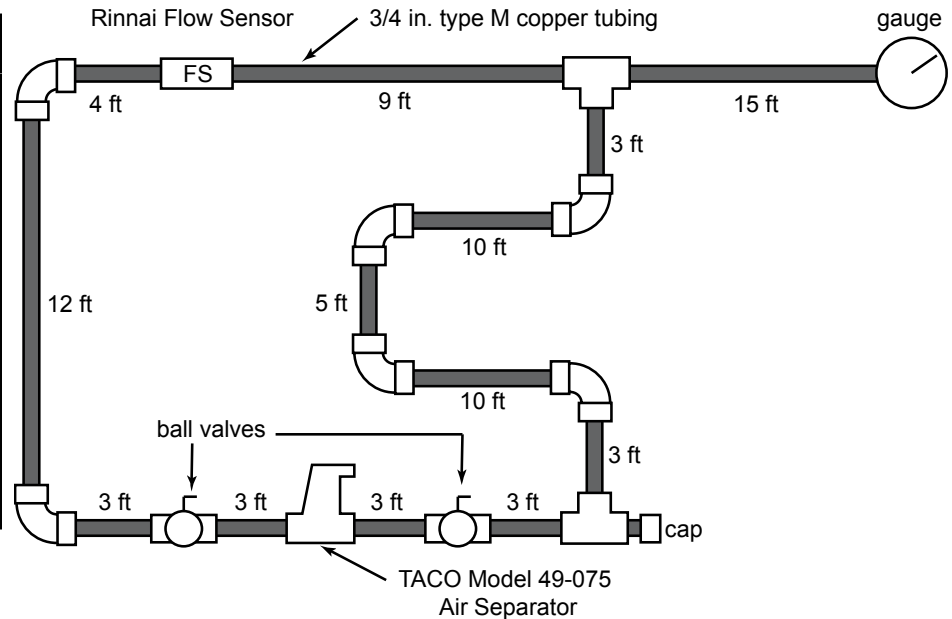


Figure 10 Equivalent Length Calculation

Table 2: Equivalent Length of Straight Pipe for Valves and Fittings (ft)									
Fitting or Valve	3/8"	1/2"	3/4"	1"	1 1/4"	1 1/2"	2"	2 1/2"	3"
90 deg. Elbow	0.5	1	2	2.5	3	4	5.5	7	9
45 deg. elbow	0.35	0.5	0.75	1	1.2	1.5	2	2.5	3.5
Straight thru tee	0.2	0.3	0.4	0.45	0.6	0.8	1	0.5	1
Side port tee	2.5	2	3	4.5	5.5	7	9	12	15
Reducer coupling	0.2	0.4	0.5	0.6	0.8	1	1.3	1	1.5
Gate valve	0.35	0.2	0.25	0.3	0.4	0.5	0.7	1	1.5
Globe valve	8.5	15	20	25	36	46	56	104	130
Angle valve	1.8	3.1	4.7	5.3	7.8	9.4	12.5	23	29
Ball valve	1.8	1.9	2.2	4.3	7	6.6	14	0.5	1
Swing check valve	0.95	2	3	4.5	5.5	6.5	9	11	13
Flow check valve	NA	NA	83	54	74	57	177	85	98
Butterfly valve	NA	1.1	2	2.7	2	2.7	4.5	10	15.5
Rinnai Flow Sensor	NA	NA	3.2	NA	NA	NA	NA	NA	NA
Taco 49-075 Air	NA	NA	0.3	NA	NA	NA	NA	NA	NA

Installation

Piping Configuration

When employing a Tankless Water Heater in a combination hydronic hot water heating system, the system is considered an Open Loop System; i.e. the system must be configured to simultaneously deliver both domestic hot water and space heating. By definition, if the circuit is sealed off from the atmosphere at all locations (as is true for most modern hydronic systems) it is called a **closed loop system**. Conversely if the circuit is open to the atmosphere at *any point*, it is called an **open loop system**. Current Rinnai tankless products are not certified for closed loop applications. Furnaces may be used in closed loop application only with the new Rinnai Condensing Boilers. Refer to Boiler Manuals for more details.

Open Loop System

If piping is done in accordance with the recommended schematic diagram shown in Figure 11, the following purge and priming procedure applies.

PURGING AND PRIMING THE SYSTEM:

The following procedure describes how the Rinnai® system may be piped to eliminate the need for a “purge cart” to fill the system and remove entrapped

air bubbles.

STEP 1: CLOSE the air separator venting valve.

STEP 2: CLOSE ball valve 3 (BV₃);

STEP 3: OPEN drain valve 3 (DV₃) to which a hose MUST be connected and draining to a sink, drain or outdoors.

STEP 4: CLOSE drain valves 1 & 2 (DV₁ and DV₂) and OPEN ball valve 2 (BV₂).

STEP 5: OPEN cold water supply main valve (ball valve 1 - BV₁). The system will begin the prime/purge process using the street pressure. Entrapped air bubbles being pushed out of the system will be evident by a slight vibration of the discharge hose connected to drain valve 3 (DV₃). The hose will stop vibrating when laminar flow is achieved.

STEP 6: CLOSE drain valve 3 (DV₃);

STEP 7: OPEN ball valve 3 (BV₃). The system is now purged, primed and ready to go.

STEP 8: OPEN the air separator venting valve.

Note: For an open loop system, use expansion tank approved for potable water use only.

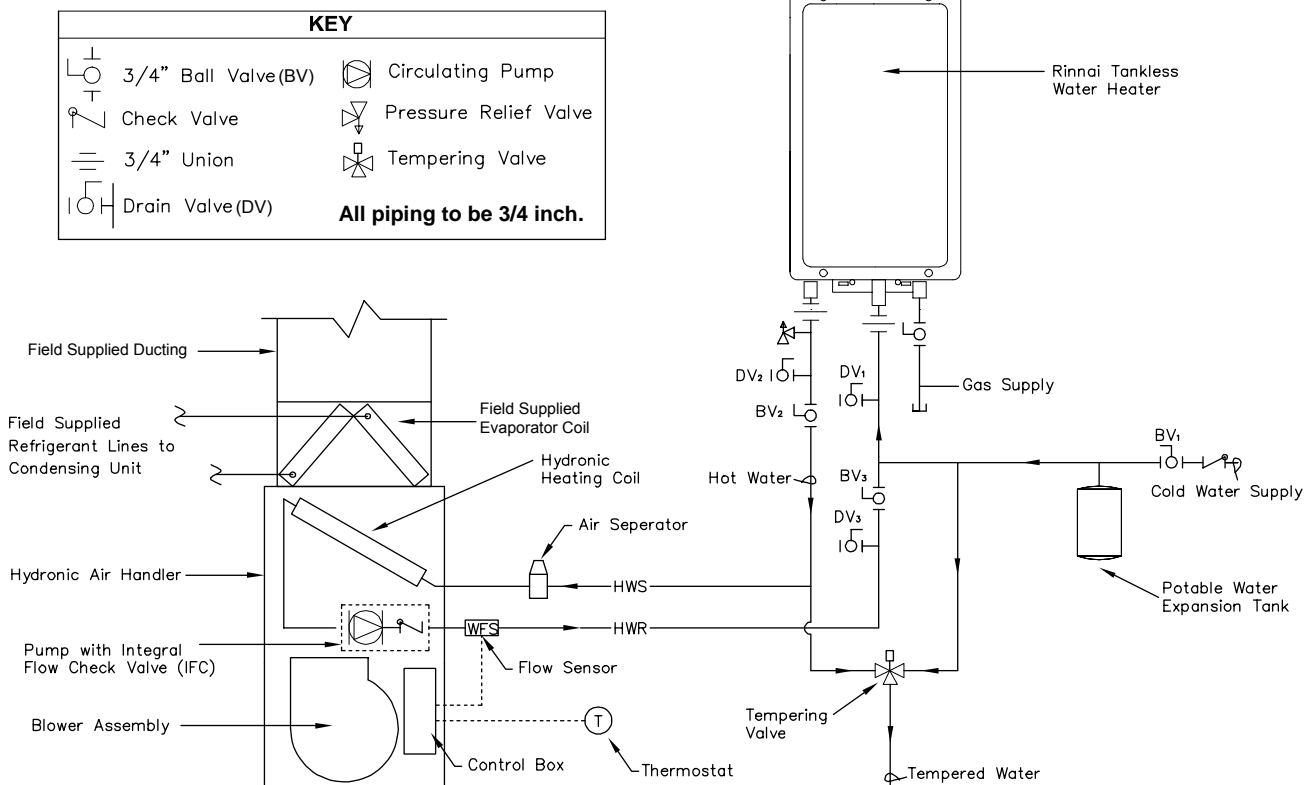


Figure 11 - Typical Piping Arrangement For Direct Space Heating and Domestic Water Supply with Tankless Water Heater. Open Loop

Installation

ELECTRICAL CONNECTIONS

Line-Voltage Connections:

U.S. INSTALLATIONS: Make all electrical connections in accordance with National Electrical Code (NEC) ANSI/NFPA 70 and all local codes or ordinances having jurisdiction.

CANADIAN INSTALLATIONS: Make all electrical connections in accordance with Canadian Electrical Code CSA C22.1 and all authorities having jurisdiction.

Check all factory wiring per unit wiring diagram and inspect factory wiring connections to be sure none were loosened in transit.

! WARNING

Before installing or servicing system, always turn off all power to system. There may be more than 1 disconnect switch. Electrical shock can cause personal injury or death.

! CAUTION

If a disconnect switch is to be mounted on the unit, select a location where a drill or fastener will not be in contact with electrical or hydronic components. Electrical shock can cause personal injury or death.

NOTE: Prior to making any electrical connections, ensure that supply voltage, frequency, and phase are as specified on unit rating plate.

Check to ensure that the existing electrical service is adequate to handle the additional load imposed by the Hydronic Furnace. Refer to unit wiring diagram for proper electrical connections.

All electrical connections **MUST** comply with NEC and any other local codes or ordinances having jurisdiction. **USE COPPER WIRE ONLY.** Provide separate branch electric circuit with field supplied disconnect switch.

Location of disconnect switch to be in clear site, accessible and in close proximity to the unit.

Correct polarity **MUST** be maintained for 115 V wiring. If polarity is incorrect unit will **NOT** operate.

Control Box Relocation:

The Control Box is factory installed in the blower compartment upper left corner (see Figure 12); if factory location of Control Box is suitable, proceed to next section. To relocate the Control Box to an alternate location (blower compartment upper right

side) follow steps 1 thru 7 below:

1. Remove and keep one screw and cover from the Control Box.
2. Remove and keep two screws holding Control Box to casing of 37AHB unit (See Fig. 12.).
3. Remove wire tie from looped wires attached to Control Box.
4. Before Control Box is reinstalled, remove the scored piece of insulation from the desired side. Remove two knockouts in the casing where the Control Box is to be installed.

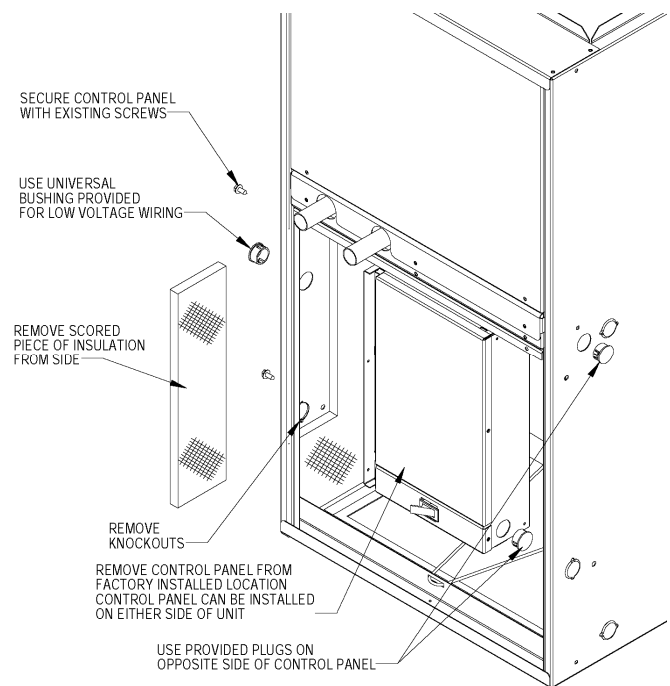


Figure 12: Control Box Relocation

! WARNING

Do **NOT** remove ground screw inside control box.

5. Secure Control Box to casing with the two screws removed and kept from Step 2.
6. Reinstall two plastic plugs (from spare parts bag) where indicated in openings on adjacent side of Control Box.
7. Route Control Box wiring within unit away from hot surfaces, sharp edges and rotating parts.

Installation

NOTES:

1. Connect Y1 terminal as shown for proper operation.
2. Rinnai thermostats require a "C" terminal connection as shown.
3. If any of the original wire, as supplied, must be replaced, use the same type or equivalent wire.

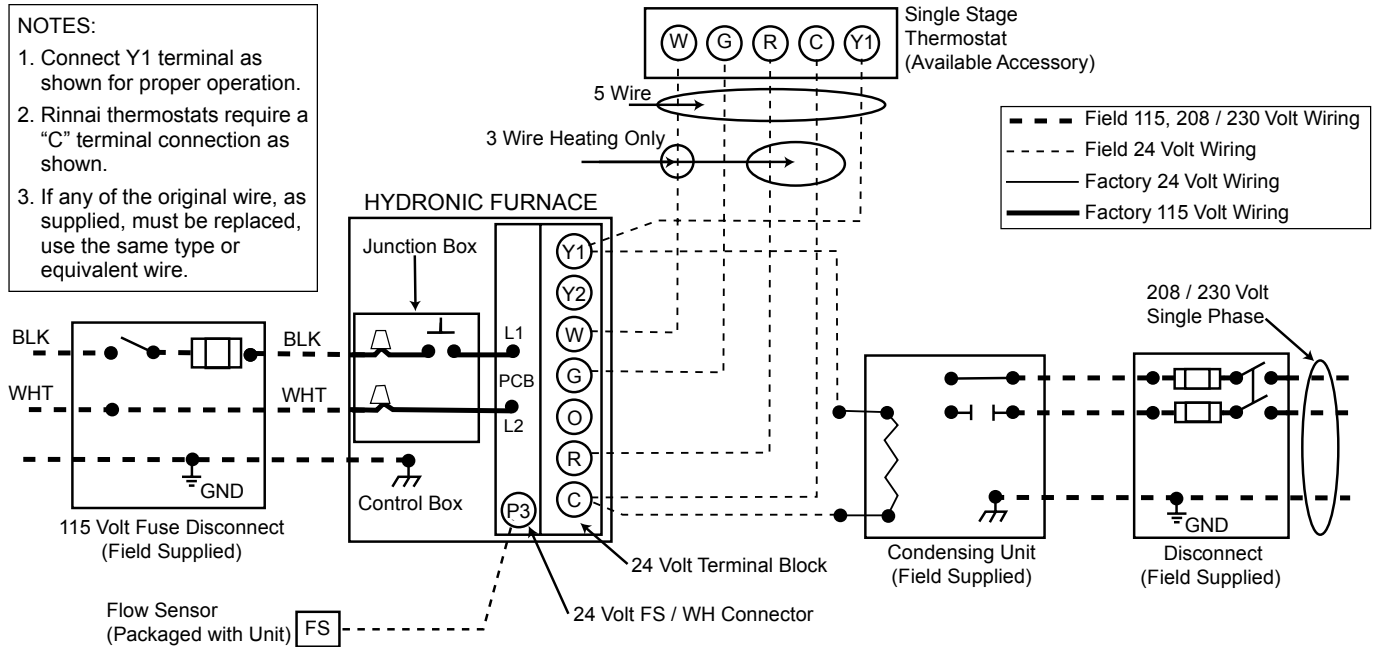


Figure 13: Field Wiring Diagram

Electrical Connection to Control Box

1. Route the furnace power wires through aligned holes in casing and Control Box and make field wire connections in Control Box. Use best practices for wire bushings, strain relief, etc. Field wiring to the unit must be grounded and conform to the National Electrical Code C22.1 Part 1 - latest edition. Use only UL listed conduit and conduit connectors to connect supply wires to the unit and provide appropriate grounding. Grounding may also be accomplished by grounding the control box per appropriate local codes. Electric wires that are field installed shall conform to the temperature limitation for 63° F (35° C) rise when installed in accordance with instructions. Refer to Table 4 for specific furnace electrical data.
2. Route and secure field ground wire to ground screw on Control Box.
3. Connect line voltage leads as shown in Figure 13.
4. Reinstall cover to Control Box. Ensure that wires are not pinched between cover and edge of Control Box.

24V Control System Connections to Unit's Printed-Circuit Board (PCB):

Refer to Figures 25 through 27 for factory wiring details. For low voltage connections between the unit and the thermostat, use No. 18 AWG color-coded, insulated (63° F / 35° C minimum) wires. (Refer to Figures 16 through 19.)

Low Voltage Connections:

These units use a grounded 24 volt AC low voltage circuit and require at least a Single stage heating and a Single stage cooling thermostat.

The "R" terminal is the hot terminal and the "C" terminal is grounded.

"G" terminal is the fan input.

"Y1" terminal is the compressor Stage 1 input.

"Y2" terminal is the compressor Stage 2 input.

"O" terminal is the reversing valve input. The reversing valve must be de-energized for heating mode.

"R" terminal is 24 VAC hot.

"C" terminal is 24 VAC grounded.

"W" terminal is the heat input. This terminal also energizes the emergency heat if configured for heat pump.

WARNING

Failure to follow this warning could result in a fire. Do not use aluminum wire between the Hydronic Furnace and the disconnect switch. USE COPPER WIRE ONLY.

Installation

System Low Voltage Wiring Diagrams

NOTE: Local codes may require thermostat wiring to be routed through conduit or raceways. In such instances splices can be made inside the Hydronic Furnace. All wiring must be NEC Class I and must be separated from incoming power leads.

Provide field supplied disconnect. Refer to Table 4 (Specifications) for maximum fuse or circuit breaker sizes.

Transformer is factory wired for 115v operation. (See Figures 27 through 29.)

The secondary circuit of the transformer is protected by a 3-amp fuse mounted on the printed-circuit board.

IMPORTANT: Where possible, use a Rinnai factory authorized thermostat with the 37AHB series Hydronic Furnaces. If a thermostat other than specified is used, refer to the manufacturer's installation instructions for further details.

Wire Gauge	Maximum Distance (feet)
20 gauge	45
18 gauge	60
16 gauge	100
14 gauge	160
12 gauge	250

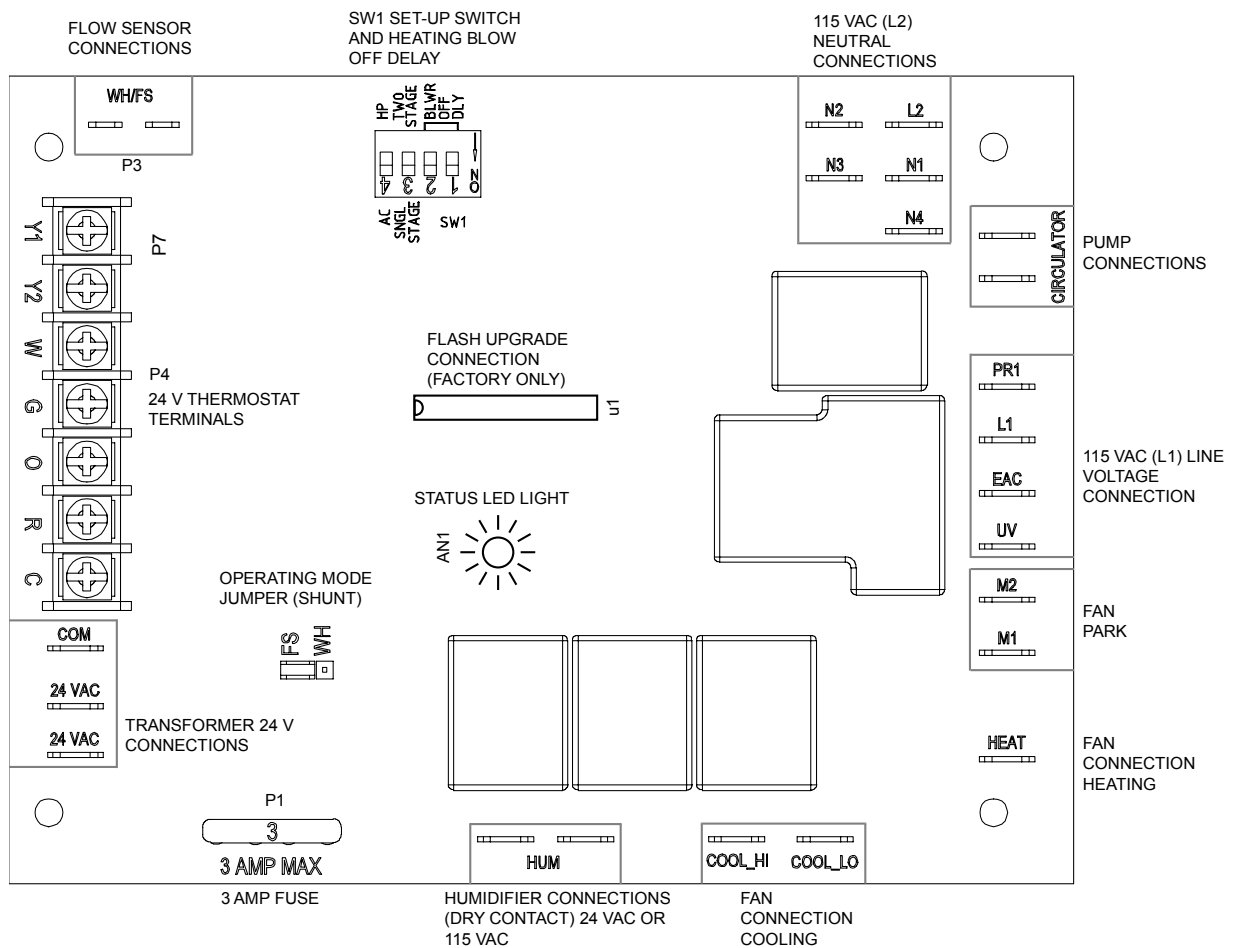


Figure 14: Hydronic Furnace Control Board

Notes:

- For proper operation of an open loop system with the flow sensor refer to Figures 11 and 14; Note that the jumper (shunt) position on the PCB "point P7" MUST be in the FS position.
- When changing the shunt position ensure that the unit's power is turned off.

Installation

Dip Switch Options (Smart Operating System):

The Rinnai® exclusive Smart Operating System is a feature of your 37AHB series Hydronic Furnace's control system that is designed to allow the installer (via DIP Switch – SW1) to configure the unit for single or two stage, A/C or Heat pump systems with selectable heat bower off delay.

Refer to Figures 14 and 15 for the proper dip switch setting to be used with the desired configuration.

When viewed with the Furnace in the upflow position, the dip switch will be as shown below (upside down).

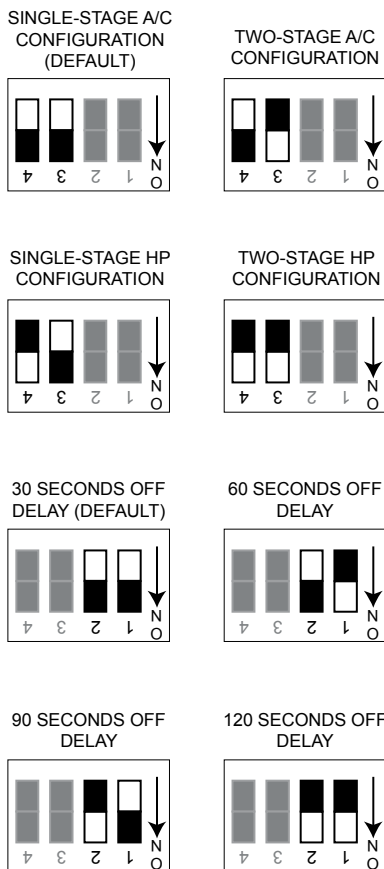
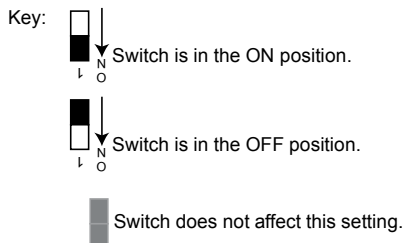


Figure 15: Dip Switch Positions



THERMOSTAT INSTALLATION:

Safety Considerations:

All wiring must conform to local and national electrical codes. Improper wiring or installation may damage thermostat.

WARNING

Before installing thermostat, turn off all power to unit. There may be more than one power disconnect. Electrical shock can cause personal injury or death.

INSTALLATION CONSIDERATIONS:

Air Conditioner Model:

The Standard Model A/C thermostat may be wired with or without connecting a common wire between the indoor equipment and the thermostat. However, it is recommended to use a common wire whenever possible. Without a common wire this thermostat becomes "power stealing." This means it will need to steal a small amount of power from the equipment to which it is connected. When "power stealing" connection is used, the supplied 270 ohm resistor must be connected at the indoor unit.

Heat Pump Model:

The Standard Model HP thermostat is not "power stealing" and MUST have both 'R' and 'C' wires connected to operate properly. This thermostat uses a green LED to indicate auxiliary/emergency heat operation.

Installation:

Thermostat should be mounted

- approximately 5 ft. (1.5 m) from floor
- close to or in a frequently used room, preferably on an inside partitioning wall
- on a section of wall without pipes or duct work.

Thermostat should NOT be mounted

- close to a window, on an outside wall, or next to a door leading to the outside.
- exposed to direct light and heat from a lamp, sun, fireplace, or other heat-radiating object which may cause a false reading.
- close to or in direct airflow from supply registers and return-air grilles
- In areas with poor air circulation, such as behind a door or in an alcove

Refer to Figures 16 through 19 for thermostat wiring diagram and thermostat installation instructions for further details.

Installation

THERMOSTAT WIRING DIAGRAMS

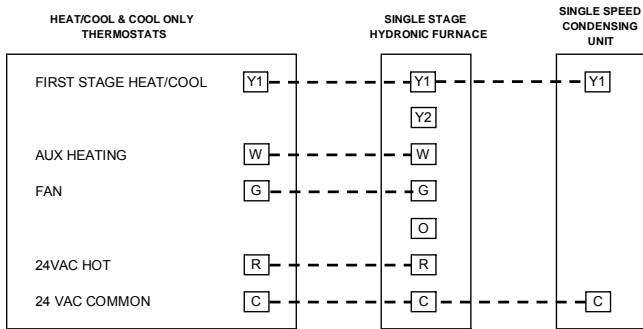


Figure 16 Single Stage Hydronic Furnace w/ Single Stage A

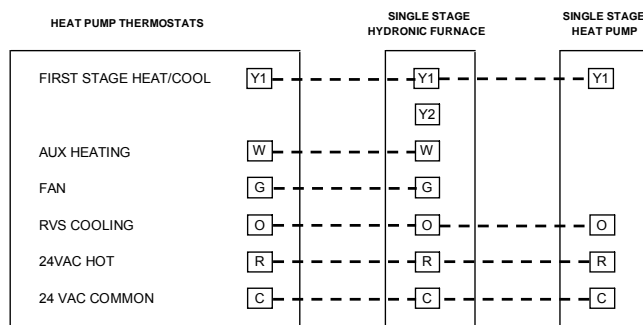


Figure 17 Single Stage Hydronic Furnace w/ Single Stage Heat Pump

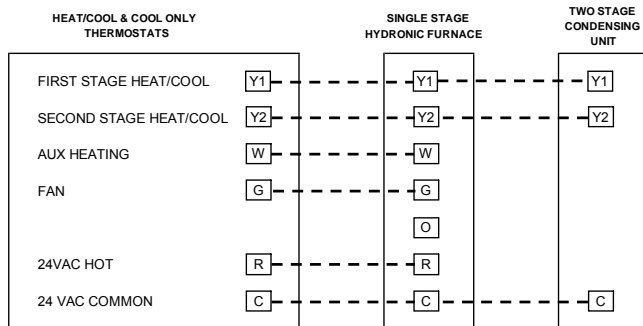


Figure 18 Single Stage Hydronic Furnace w/ Two Stage A/C

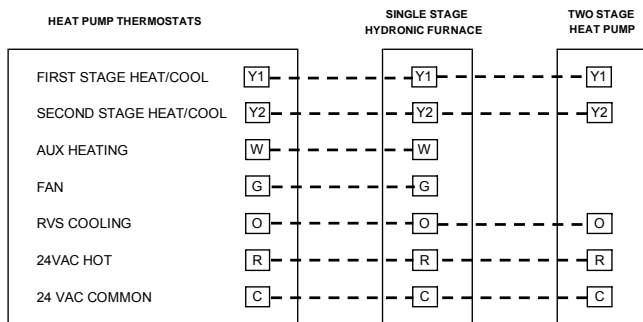


Figure 19 Single Stage Hydronic Furnace w/ Two Stage Heat Pump

Shunt Jumper Options:

An additional feature of the 37AHB series is its selectable operating sequence option; the 3-pin shunt header (P7) allows the control to operate the proper heating logic based on the following system requirements:

The 37AHB unit in Open Loop configuration:

“FS” Shunt selection: The “FS” logic sequence will configure the unit for operation with all Rinnai® Tankless Water Heaters; this logic monitors the ratio of available flow for space heating (via Flow Sensor); this status is then communicated to the PCB whose operating characteristics is primarily determined by the status of the Flow Sensor input (sequence allows domestic priority).

WARNING

Failure to follow this warning could result in an electrical shock, fire, or death.

To minimize personal injury if an electrical fault should occur, cabinet grounding **MUST** be an uninterrupted ground and **MUST** comply with NEC, ANSI/NFPA 70 and all local codes having jurisdiction. The ground may consist of electrical wire or metal conduit when installed in accordance with existing electrical codes.

Installation

START-UP PROCEDURE (HEATING ONLY):

The following conditions must be met prior to unit start-up.

Debris from soldering and/or other installation activities can cause equipment failure. Ensure that all associated lines and appurtenances are free of debris.

Check to ensure that unit is secure.

Check that blower wheel rotates freely within the scroll housing.

Check all wiring to ensure that connections are tight.

Check all ductwork and pipe connections to ensure proper seal.

Check to ensure that all packaging wraps are removed from equipment.

Ensure that front access doors are properly installed.

Check to ensure proper connections to the appropriate blower speed tap (Heat /Cool – High and Low). Refer to Air Delivery and Capacity Charts and/or the appropriate wiring diagram in this manual.

Perform all safety and start-up checks for Tankless Water Heater as per manufacturer's instructions.

Having verified all preceding checks, the Furnace's Start-Up Procedure is as follows:

STEP 1: Purge and fill system; follow appropriate purging procedure as laid out in this manual in section titled "Purging and Priming the System".

STEP 2: Turn on power supply to Furnace. Caution: blower and/or circulator may start to operate if thermostat is on and a call is present.

STEP 3: Turn thermostat on and switch system to the heating mode. The thermostat shall be set higher than the actual room temperature; this will cause the circulator to energize and initiate the heating cycle. (If the pump does not start, or the Furnace is not producing heat, refer to the Troubleshooting Section in this manual).

STEP 4: Program room thermostat as desired by homeowner.

START-UP PROCEDURE (COOLING SYSTEM)

Refer to field supplied evaporator coil and outdoor unit manufacturer's Installation Instructions for system hook-up, start-up instructions and refrigerant charging method details.

TROUBLESHOOTING BLOWER AND/OR PUMP MOTOR AND CONTROLS

If blower and/or pump motor does not run:

Turn off power and check the following:

1. Check that door switch is in the CLOSED position.
2. Check 3 amp fuse on Printed Circuit Board (PCB).

CAUTION

High voltage is at all times present at motor. Disconnect power to the Hydronic Furnace before removing or replacing or servicing motor. Wait at least 5 min after disconnecting power before opening motor. Failure to follow this CAUTION could result in minor personal injury or product and property damage.

3. Check for 24 VAC between COM and 24 VAC on PCB. If no voltage is present, check transformer.
4. Check all connections for kinks which could cause loose connections. Ensure connections are secure.
5. Verify that approximately 120 VAC is present across L1 and L2 (refer to wiring diagrams).

If system still fails to start, refer to Figures 20 through 23 for additional help.

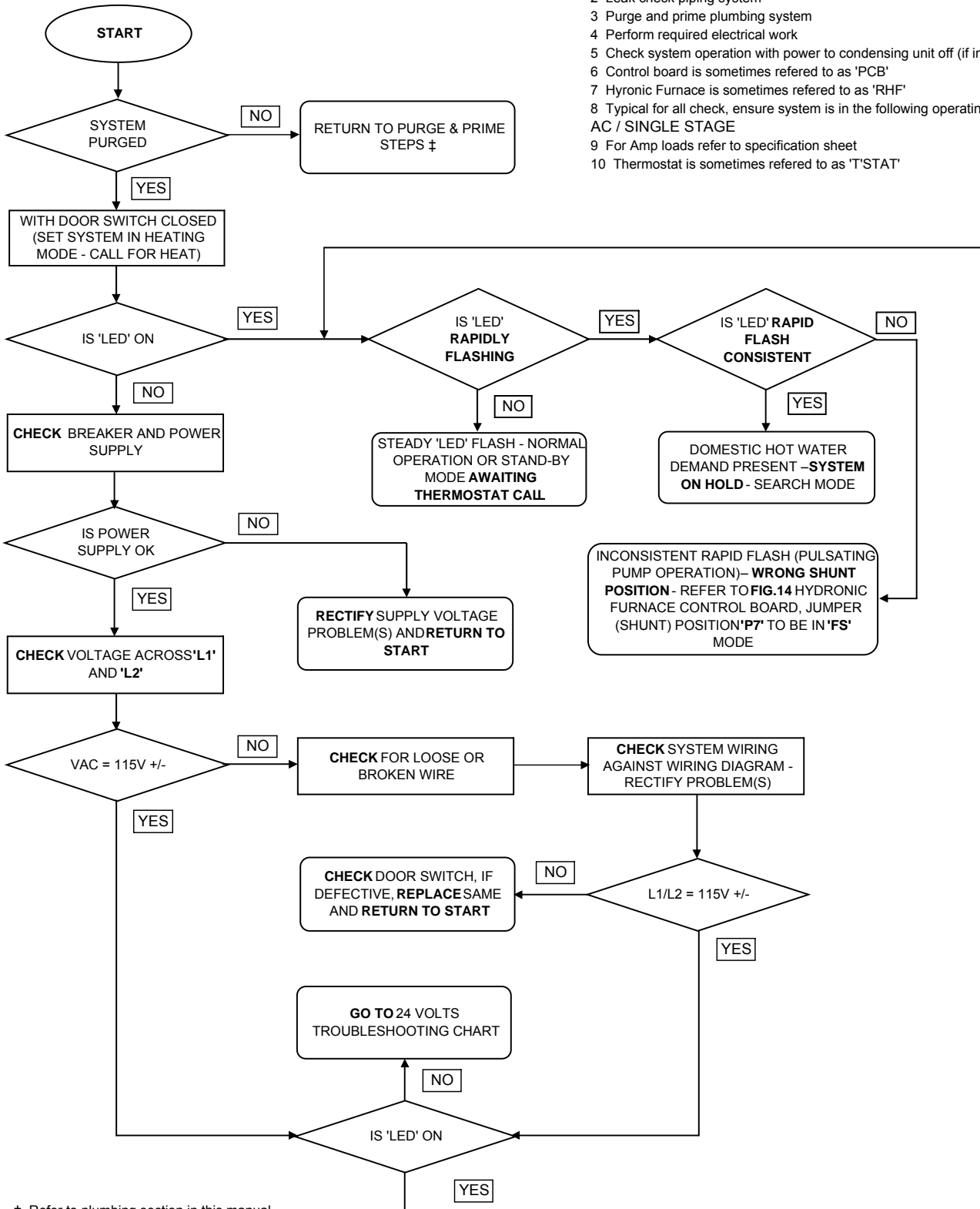
TABLE 2.1: BLOWER MOTOR TROUBLESHOOTING

SYMPTOM	POSSIBLE CAUSES	CORRECTIVE ACTION
Motor fails to start	Blown fuse	Turn off motor. Replace fuse
	Incorrect voltage	Verify motor voltage matches system voltage
	Improper connections	Turn off motor. Verify connections
	Blower wheel obstruction	Verify blower wheel is not in contact with the blower housing. Readjust blower wheel position on motor shaft.
Motor does not come up to full speed	Not applied properly	Check speed taps as per wiring diagram.
Motor stalls during operation	Overload motor	Check for duct blockage and/or verify that ducting system is not restrictive.
Motor vibrates or is excessively noisy	Loose or defective fan	Turn off motor. Tighten fan set screw or replace fan.

Installation

NOTES:

- 1 Pipe system between Tankless Water Heater and Hyronic Furnace ‡
- 2 Leak check piping system
- 3 Purge and prime plumbing system
- 4 Perform required electrical work
- 5 Check system operation with power to condensing unit off (if installed)
- 6 Control board is sometimes referred to as 'PCB'
- 7 Hyronic Furnace is sometimes referred to as 'RHF'
- 8 Typical for all check, ensure system is in the following operating mode: AC / SINGLE STAGE
- 9 For Amp loads refer to specification sheet
- 10 Thermostat is sometimes referred to as 'T'STAT'



‡ Refer to plumbing section in this manual

Figure 20: Hydronic Furnace Start-Up and 'LED' Troubleshooting - Flow Sensor (FS Configuration)

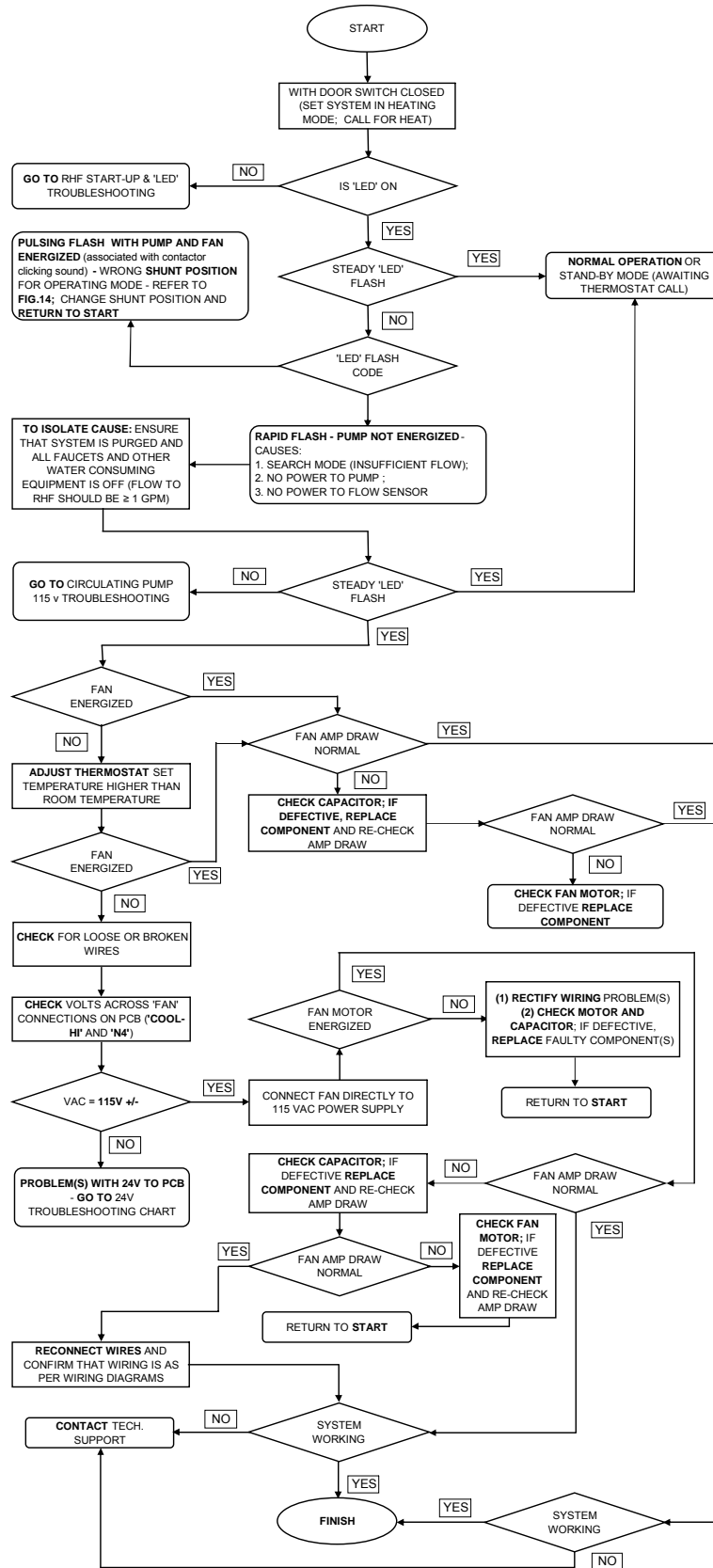


Figure 21: Blower System 115V Troubleshooting - Flow Sensor (FS) Configuration

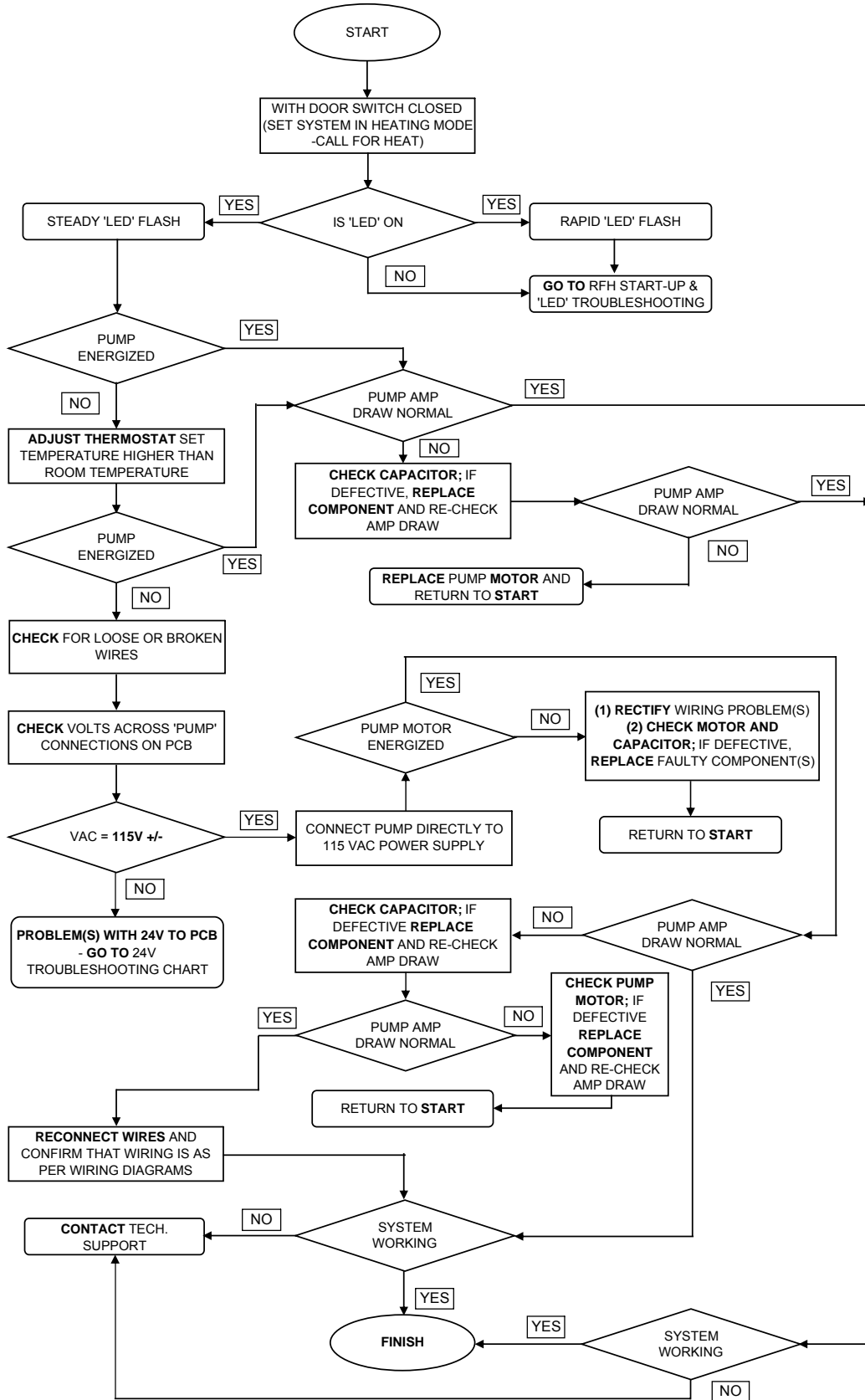
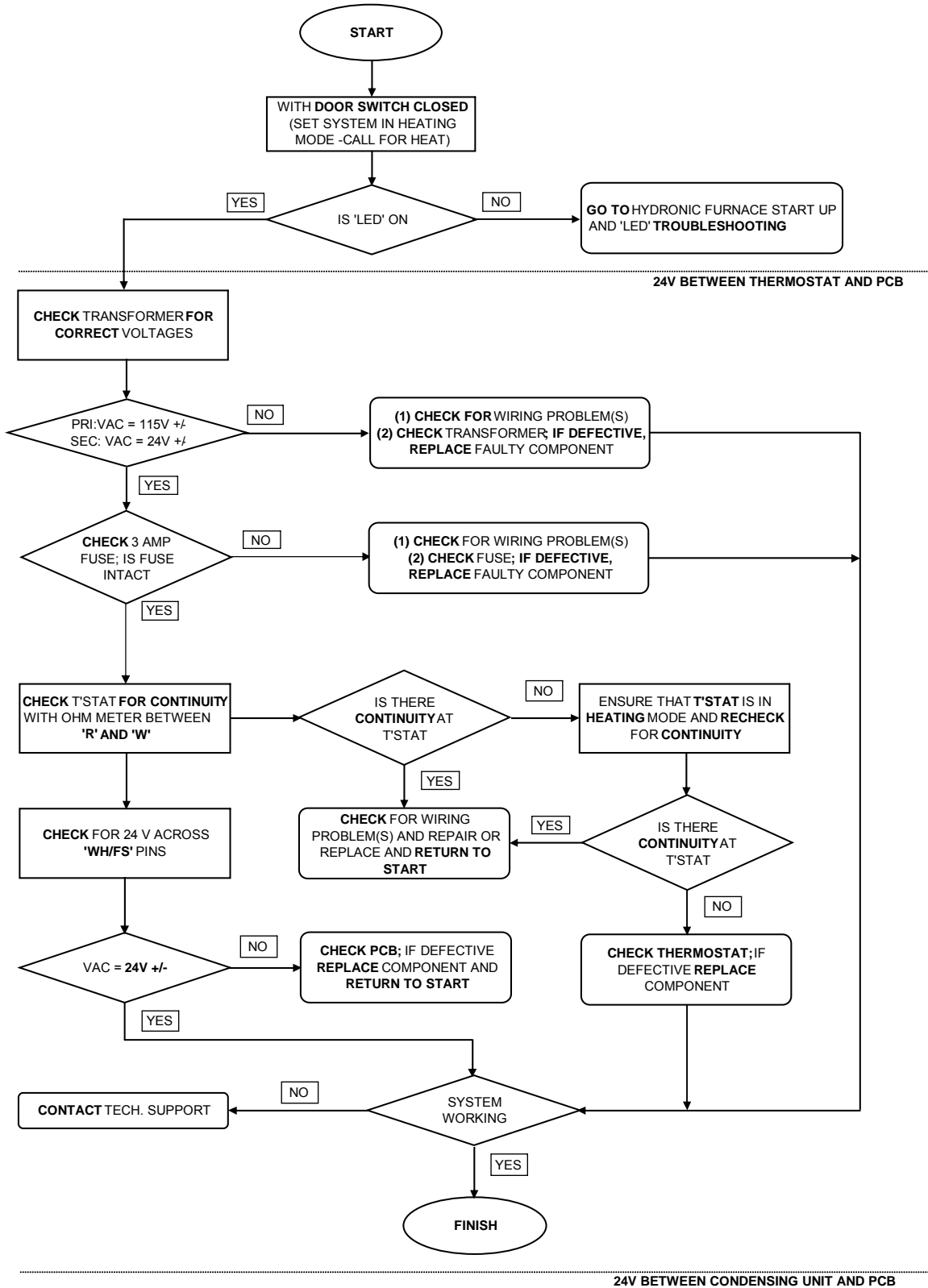


Figure 22: Circulating Pump 115V Troubleshooting - Flow Sensor (FS) Configuration

Installation



If a condensing unit and cased coil set is used in conjunction with the Rinnai Hydronic Furnace for cooling, refer to air conditioning manufacturer's instructions for hook-up and troubleshooting details.

Figure 23: 24V Troubleshooting - Flow Sensor (FS) Configuration

Sequence of Operation

SEQUENCE OF OPERATION:

NOTE: Furnace control must be grounded for proper operation; control is grounded through green wire routed to control box screw.

STANDBY MODE:

All control outputs are off and the control is waiting for a thermostat demand. The control initiates action when a thermostat call is received.

COOLING MODE:

Single-Stage Air-Conditioning (A/C) Cooling Demand:

When the thermostat calls for cooling (Y), the control energizes the COOL_HI blower tap after a 1 second on delay period.

When the thermostat removes the call for cooling (Y), the control de-energizes the COOL_HI blower tap after a cooling off delay period of 30 seconds.

A call for cooling has priority over a thermostat blower demand.

If a call for heat (W) exists with a call for cooling, the call for heat shall proceed as normal except the blower remains energized on the COOL_HI speed tap. If the call for cool goes away while a call for heat exists, the cooling off delay is canceled and the blower operation reverts to the heat cycle.

Two-Stage A/C Cooling Demand:

When the thermostat calls for cooling (Y), the control waits for a 1 second cooling on delay period and energizes the COOL_LO blower tap. If a 2nd stage cooling (Y2) call is sensed, the control de-energizes the COOL_LO blower tap and energizes the COOL_HI blower tap after a 1 second delay.

When the thermostat removes the call for 2nd stage cooling (Y2), the control de-energizes the COOL_HI blower tap and energizes the COOL_LO blower tap. When the thermostat removes the call for cooling (Y), the control de-energizes the COOL_LO blower tap after a cooling off delay period of 30 seconds.

If a call for heat (W) exists with a call for 2nd stage cooling, the call for heat shall proceed as normal except the blower remains energized on the COOL_HI speed. If the call for cool goes away while a call for heat exists, the cooling off delay is canceled and the blower operation reverts to the heat cycle.

Single-Stage Heat-Pump (HP) Cooling Demand:

When the thermostat calls for cooling (Y and O), the control waits for the 1 second cooling on delay period and energizes the COOL_HI blower tap.

When the thermostat removes the call for cooling (Y and O), the control de-energizes the COOL_HI blower tap after a cooling off delay period of 30 seconds.

A call for cooling has priority over a thermostat blower demand.

If a call for emergency heat (W) exists with a call for cooling, the call for heat shall proceed as normal except the blower remains energized on the COOL_HI speed tap. If the call for cool goes away while a call for emergency heat exists, the cooling off delay is canceled and the blower operation reverts to the heat cycle.

Two-Stage HP Cooling Demand:

When the thermostat calls for cooling (Y and O), the control waits for the 1 second cooling on delay period and energizes the COOL_LO blower tap. If a second stage cooling (Y2) call is sensed, the control de-energizes the COOL_LO blower tap and energizes the COOL_HI blower tap after the 1 second delay.

When the thermostat removes the call for 2nd stage cooling (Y2), the control de-energizes the COOL_HI blower tap and energizes the COOL_LO blower tap. When the thermostat removes the call for cooling (Y), the control de-energizes the COOL_LO blower tap after a cooling off delay period of 30 seconds.

If a call for emergency heat (W) exists with a call for 2nd stage cooling, the call for heat shall proceed as normal except the blower remains energized on the COOL_HI speed. If the call for cool goes away while a call for emergency heat exists, the 2nd stage cooling off delay is canceled and the blower operation reverts to the heat cycle.

HEATING MODE:

Heating Operation: Air-Conditioning (A/C) Mode - Configured for Flow Sensor (FS) Input:

Circulating Pump Operation:

On a call for heating, terminal "W" of the thermostat is energized. The control monitors the FS input and energizes the circulating pump if the FS signal is present.

Sequence of Operation

If the FS signal is NOT present, the control will energize the circulating pump for 60 seconds in an attempt to activate the Flow Sensor (FS). If the FS signal does not become active during the time, the control will de-energize the circulating pump for 60 seconds and then start another 60 seconds with the circulating pump energized to try to activate the Flow Sensor. Sequential attempts to activate the Flow Sensor will use 60 second, 120 second and 180 second de-energized periods for the circulating pump. The de-energized period will circle back to the original 60 second off period following sequential unsuccessful energized attempt to activate the Flow Sensor. During this time the Status LED will rapidly flash, indicating that a heat demand is present, but not being satisfied because of the state of the FS input signal.

Heat Blower ON Delay:

The control waits for 25 seconds after the circulator pump is energized (and FS signal is present) and then energizes the indoor blower heat speed and the humidifier output.

If the thermostat demand for heat is removed, the control de-energizes the circulating pump, and runs the heat speed blower and humidifier through the selected blower off delay as defined by the dip switch settings in Figure 15.

Steady Heat:

Control inputs are continuously monitored to ensure the call for heat remains.

If the thermostat demand for heat is removed, control operation proceeds to the operation described in “*Heat Blower ON delay*” section above.

If the FS input becomes absent during steady state heating, the sequence in “*Circulating Pump Operation*” section above will become active and the blower off delay will run.

If the FS input signal returns within the same heating demand period (W), the control will begin jogging the circulator pump as described in “*Circulating pump Operation*” section, normal heating operation will resume.

Heat Blower OFF Delay:

When the heating thermostat demand (W) is removed, the control de-energizes the circulating pump and then de-energizes the indoor blower motor and humidifier after a delay time as defined by the dip switch settings in Figure 15.

Blower timing begins when the thermostat is satisfied. The control returns to standby when the blower off time is complete.

If the thermostat call for heat returns before the blower off delay is complete, the control re-energizes the circulating pump and resumes a normal heating sequence.

Heating Operation: Heat-Pump (HP) Mode - Configured for Flow Sensor (FS) Input:

Single-Stage HP Demand - Call for Heat:

The thermostat calls for heat by connecting (Y and R). The control will proceed to the Heat Blower ON Delay when a single stage heat demand exists.

The Heat Pump is the primary source of heating in this mode.

Blower ON Delays:

The control waits for 1 second and then energizes the COOL_HI tap if and the humidifier output. If the thermostat demand for heat is removed, the control runs the COOL_HI tap and humidifier through a fixed 30 second blower off delay.

Steady Heat:

Control inputs are continuously monitored to ensure the call for heat remains.

If the thermostat demand for heat is removed, control operation proceeds to the operation described in the “*Blower On and Off Delays*” section.

The Heat Pump is the primary source of heating in this mode.

Second Stage HP Demand – Call for Heat:

After the control enters into a Steady Heat mode, the second stage heating demand (Y2) input is monitored. If a (Y2) demand is sensed, the COOL_HI blower speed will be energized. If the (Y2) demand becomes absent, the COOL_HI blower speed will immediately be de-energized and the COOL_LO blower speed will again be energized.

Heat-Pump Emergency Heat Demand:

The Emergency Heat (W) input is continually monitored, and is a higher priority than single or 2-stage heating demands. If the Flow Sensor (FS) input signal is present with a call for emergency heat (W), the circulator pump will immediately be energized.

Sequence of Operation

If the FS input signal remains (indicating that there is adequate hot water flow) the circulator pump will remain energized, the HEAT blower speed and HUM outputs will then be energized. If the emergency heat demand (W) is removed, the HEAT blower speed will immediately be de-energized and the blower will return to the appropriate speed based on any remaining thermostat demand.

If the FS signal is NOT present, the control will energize the circulating pump for 60 seconds in an attempt to activate the Flow Sensor (FS). If the FS signal does not become active during the time, the control will de-energize the circulating pump for 60 seconds and then start another 60 seconds with the circulating pump energized to try to activate the Flow Sensor. Sequential attempts to activate the Flow Sensor will use 60 second, 120 second and 180 second de-energized periods for the circulating pump. The de-energized period will circle back to the original 60 second off period following sequential unsuccessful energized attempt to activate the Flow Sensor. During this time the Status LED will rapidly flash, indicating that a heat demand is present, but not being satisfied because of the state of the FS input signal.

If the FS input signal again becomes present within the same emergency heating demand (W), the pump will begin jogging (as described in the above paragraph), normal emergency heating operation will resume.

Heat Blower OFF Delay:

When the heating thermostat demand is removed, the control immediately de-energizes the circulating pump and then de-energizes the indoor blower motor and humidifier after a fixed 30 second blower off delay. Blower timing begins when the thermostat is satisfied. The control returns to standby when the blower off time is complete.

If the thermostat call for emergency heat returns before the blower off delay is complete, the control resumes an emergency heating sequence as defined.

Off Season Circulation Timer

All Rinnai® Hydronic Furnace models are equipped with a circulation timer. It is normal operation for these models to automatically run the circulation pump for a period of two minutes intermittently every six hours if there has not been a call for heat within the said six hours.

The unit also incorporates the unique feature of learning the household schedule to determine the best six hour intervals (periods of least flow interruption) to run the circulator timer.

Maintenance

Repairs should be performed by a qualified service technician. The appliance should be inspected annually by a qualified service technician. Verify proper operation after servicing.

CLEANING

It is important that compartments, filter, and circulating air passage ways of the appliance be kept clean. Clean as follows:

1. Turn off and disconnect electrical power. Allow to cool.
2. Replace the air filter. (Should be done at least quarterly. Refer to the Specifications section for sizes.)
3. Use pressurized air to remove dust from the components.
4. Use soft dry cloth to wipe cabinet.

SUPPLY AND RETURN AIR DUCT SYSTEMS

The supply and return air ducts should be inspected at least annually for blockages or damage.

MOTORS

Both the fan and pump motors are permanently lubricated and do not need periodic lubrication. Keep free of dust and dirt by cleaning annually.

INTEGRAL CIRCULATOR PUMP

Replacing Pump Motor Assembly:

1. Disconnect the electrical supply.
2. Reduce system pressure to 0 psi and allow system to return to room temperature. Isolate the circulator by closing the service valves or draining the system.
3. Remove the body bolts and swing motor assembly away from the volute.

Maintenance

4. Install new motor, and reassemble circulator using the new gasket and bolts supplied.
5. Follow the “installation” procedure to start up the circulator.

Replacing Pump Cartridge Assembly:

1. Disconnect the electrical supply.
2. Reduce system pressure to 0 psi and allow system to return to room temperature. Isolate the circulator by closing the service valves or draining the system.
3. Remove the body bolts and swing motor assembly away from the volute.
4. Pull cartridge out of the motor housing.

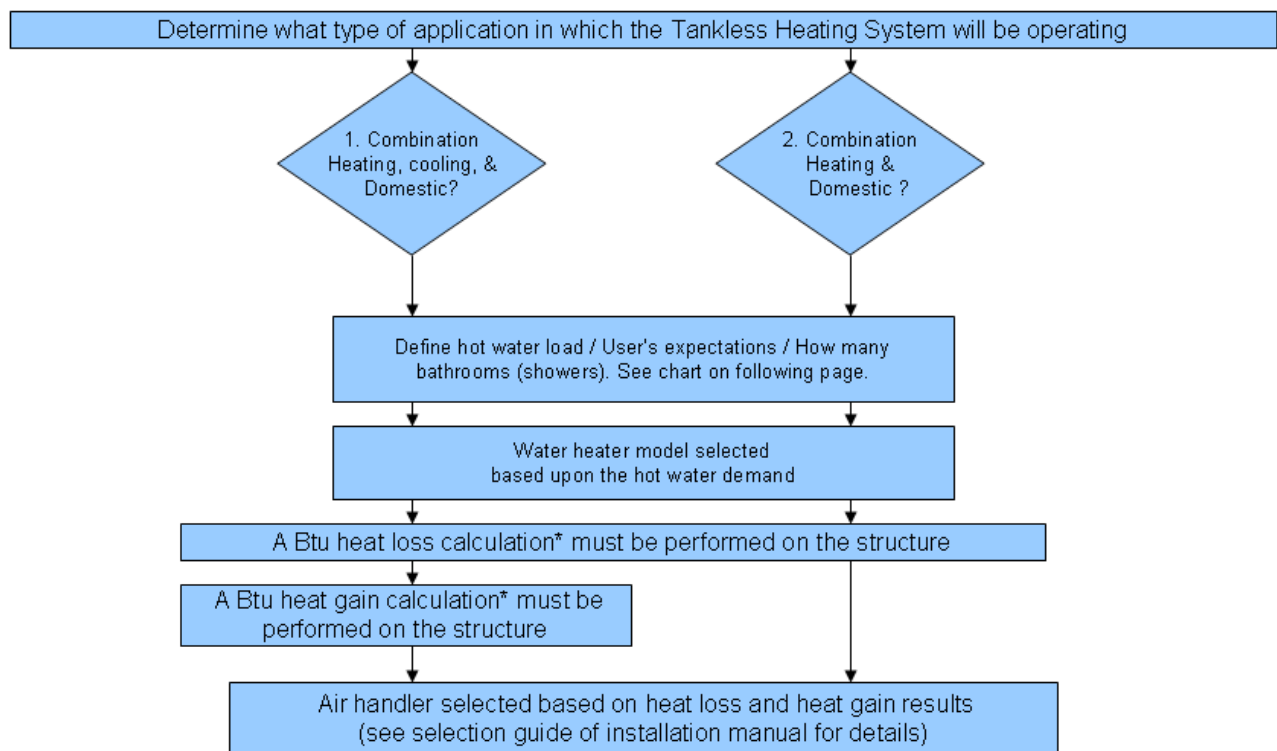
5. Install replacement cartridge, making sure that the cover plate is between the cartridge flange and motor.
6. Make sure the replacement cartridge corresponds to the full circulator product number. A complete parts list is available from your local distributor.
7. Reassemble the circulator using the new gasket and bolts supplied.
8. Follow the “Installation” procedure to start up the circulator.

Replacing Pump Capacitor:

1. Replacement capacitor must have same rating as originally furnished.

Selection Guide

Hydronic Air Handler and Tankless Water Heater Sizing Guidelines



Btu heat loss and heat gain calculations are comprehensive evaluations on a structure's ability to retain heat. Please visit www.acca.org/tech/manual/ for more information.

Figure 24: Hydronic Furnace and Tankless Water heater Sizing Guidelines

Selection Guide

GENERAL UNIT SELECTION PROCEDURE (WITH EXAMPLE)

I. Define hot water load for the total required domestic hot water usage:

To help with the sizing and selection of your new Rinnai Tankless Water Heater (TWH), refer to our Website at: <http://www.rinnai.us> or contact Rinnai's Application Engineering Department at: 800-621-9419

As an example let us assume that the selected Rinnai Tankless Water Heater for your whole house solution is the REU-KA2530FFUD-US (RC80HPi) and your calculated heat gain and heat loss values are as stated in section II.

II. Determining cooling and heating requirements for the given structure:

The ACCA's Manual J Residential Load Calculation method is the established trade standard, approved by ANSI, for the correct sizing and selection of Heating, Ventilation, Air-Conditioning and Refrigeration (HVACR) equipment in residential homes. Refer to Manual J latest edition; the text in question offers an all-inclusive new approach to ensure that Indoor Air Quality (IAQ) systems are as efficient, safe, and healthy as possible. Visit the Air Conditioning Contractors of America website at: <http://www.acca.org> or contact a qualified HVACR contractor for further assistance.

Assumptions:

Required Cooling Capacity34,500 Btuh
(Total Capacity)
Required Heating Capacity.....58,000 Btuh
Evaporator Air Quantity.....1200 CFM
Calculated Ductwork ESP.....0.2 in. WC
Electrical Characteristics.....15-1-60

III. Determine total external static pressure (ESP) at design conditions:

Before using the Air Delivery and Capacity Charts (Table 5.0 thru 5.17), determine the total static

pressure required. From the given example, note the Wet Coil Pressure Drop (from the field supplied Evaporative Cased Coil Installation Instructions), and the Filter Pressure Drop. Determine both static pressures at 1200 CFM:

Wet Coil Pressure Drop.....0.21 in. WC (From Coil Manufacturer's Installation Instructions).

External Static Pressure.....0.2 in. WC (Ductwork etc.)

Filter Pressure Drop.....0.0 in. WC
(0.0 inches if the included Rinnai filter is used; 0.08 if another filter is used. Refer to the filter's manufacturer's instructions).

Total Static Pressure..... 0.49 in. WC

IV. Select unit based on required cooling capacity airflow:

For an initial selection, choose a unit size that will provide the required airflow. Refer to Tables 5.3 - Air Delivery and Capacity Chart. Note that at 0.5 ESP the 37AHB06012KA5 unit will deliver 1225 cfm when configured for HIGH Speed (Tap 1).

V. Select heating capacity of unit to provide the requisite design condition:

From the nominal capacity section of said table; the 37AHB060 units (Table 5.3), note that the unit 37AHB06012KA5 (as selected above) when matched with the REU-KA2530FFUD (RC80HPi) TWH will provide 58.1 MBH (58,100 Btuh) at an entering water temperature (to Hydronic furnace) of 150 OF.

VI. Select unit that corresponds to power source available:

Refer to Model Number Nomenclature; note that the eleventh digit denotes the voltage code; therefore the "K" model (37AHB06012KA5) unit is the unit that should be selected for the above stated hypothetical conditions. This unit is designed to operate at 115/120v -1ph - 60hz.

Air Distribution Guide

HIGH VELOCITY DUCT SYSTEMS:

A high velocity air delivery system employs higher air velocities and static than that requisite for a conventional ducting system. Specifically, the design of such system requires a compromise between smaller duct sizes and increased fan pressure.

The updated Rinnai Hydronic Furnace (with ECM technology) will sustain total external static pressures (ESP) of up to 1.0 in. w. g.; still, it is incumbent upon the designer to devise a system that will work within the parameters hereafter set forth in this manual. To satisfy the above, and to take maximum advantage of the increased available pressure of said Rinnai

Air Distribution Guide

Hydronic Furnace, He/ She should adhere to the following basic rules whenever possible.

1. Duct joints shall be, as a rule, sealed to prevent leakage of air which may cause objectionable sound.
2. Round ducts are favored to rectangular (on the supply side) as they offer greater rigidity and higher efficiency.
3. Fitting selection and placement should also be carefully studied as the correct fitting and its location will avoid excessive pressure drops and likely noise problems.
4. Figures 25 and 26 illustrate the critical distance as regards high velocity ducting system design.

Additionally, when laying out the header section for a typical high velocity system, the following factor must be considered:

Unless space conditions dictate otherwise, the take-off from the header should be made using a 90° tee or 90° conical tee rather than a 45° tee. By using 90° fittings, the pressure drop to the branch throughout the system is more uniform. In addition, two fittings are normally required when a 45° tee is used and only one when a 90° fitting is used, resulting in lower first cost.

Practically speaking, the design of a high velocity system is basically the same as a low velocity duct system. If concerns about noise were not a factor, duct runs could be sized according to the smallest permissible duct diameter which would be governed only by the available external static pressure. In opposition, since noise reduction is paramount in residential designs, the designer must take special

care to ensure that all duct sizes are compatible with velocity limits that are associated with both the discharge and return sides of the planned system.

To all intents and purposes, duct sizing calculations are based on fan performance and air side accessory pressure drop data that are provided by original equipment manufacturers. The importance of ensuring that the total pressure drop of the longest circulation path does not exceed the available static pressure and that velocities does not exceed the recommended limits cannot be overstated as these will ensure a quieter system that will deliver the required capacity to a given space.

It is absolutely overriding for the designer to verify available static pressure for both supply and return ducts. The following tables (tables 3 and 4) provide information about duct sizing (specific to hi-velocity system) and the redesigned 37AHB series furnaces respectively.

To employ table 3 the designer must have generated at least the following information: total system required airflow (in CFM), and maximum number of 3 inch diameter supply legs based on 50 CFM per leg.

Table 4 “Specification Sheet” summarizes the performance and other technical characteristics of the 37AHB series furnaces and their subsystems.

Some specification numbers are generated by numerical methods and are therefore statistical means based on the testing of three or more samples. Use both tables in conjunction with good engineering practice together with all codes and ordinances having jurisdiction.

Figure 25:

Recommended Critical Distance between Elbows and 90° Tees for a Typical High Velocity System.

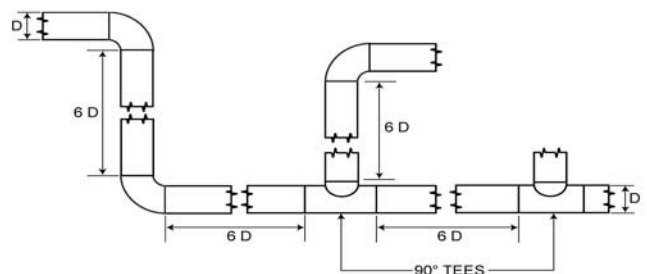
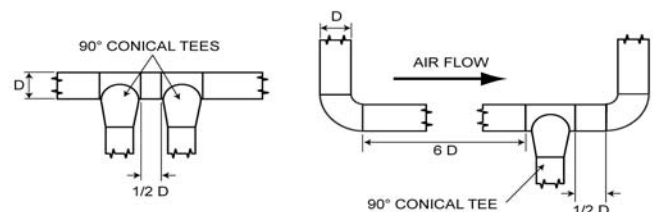


Figure 26:

Recommended Critical Distance between Elbows and 90° Conical Tees for a Typical High Velocity System.



Air Distribution Guide

Table 3: Quick Reference Hi-Velocity Duct Sizing Chart

Maximum Airflow (CFM) with Maximum Number of 3" flex legs

Rigid Trunk Duct Diameter (inches)	Maximum Airflow (CFM) with Maximum Number of 3" flex legs																Maximum Equivalent Duct Length (feet)
	140	100	75	50													
4	MAF	3	2	2	1												
	NOL																
5	MAF	210	200	150	100	50											
	NOL	4	4	3	2	1											
6	MAF	320	300	250	200	150	100	50									
	NOL	6	6	5	4	3	2	1									
7	MAF	420	400	350	300	250	200	150	100								
	NOL	8	8	7	6	5	4	3	2								
8	MAF	560	500	450	400	350	300	250	200	150	100						
	NOL	11	10	9	8	7	6	5	4	3	2						
10	MAF	900	850	800	750	700	650	600	550	500	450	400	350	300	250	200	150
	NOL	18	17	16	15	14	13	12	11	10	9	8	7	6	5	4	3
12	MAF	1300	1200	1150	1100	1050	1000	950	900	850	800	750	700	650	600	550	500
	NOL	26	24	23	22	21	20	19	18	17	16	15	14	13	12	11	10
14	MAF	1700	1600	1500	1400	1300	1200	1100	1050	1000	950	900	850	800	750	700	650
	NOL	34	32	30	28	26	24	22	21	20	19	18	17	16	15	14	13
16	MAF	2300	2200	2100	2000	1900	1800	1700	1600	1500	1400	1300	1200	1100	1000	900	850
	NOL	46	44	42	40	38	36	34	32	30	28	26	24	22	20	18	17

- NOTES:**
- Calculations are based on airflow of 50 CFM for each 3 inch diameter flexible leg.
 - Calculations assume system is equipped with a standard add-on evaporative coil and allows for approximately 120 equivalent length of return ducting.
 - MAF – Maximum airflow (CFM).
 - NOL – Number of 3" diameter flexible legs.
 - If a more detailed duct sizing method is required, refer to one or more of the referenced documents or any other industry recognized standard.
- LIST OF REFERENCES:**
- ACCA - Manual D (Residential Duct Systems)
 - ACCA - Flexible Duct Performance & Installation Standards
 - ASHRAE Handbook-Fundamentals
 - HRAI - Residential Air System Design Manual
 - SMACNA - HVAC System Duct Design Manual

Table 4: Hydronic Furnace's Specifications

UNIT MODELS		37AHB04508KA5	37AHB06012KA5	37AHB07514KA5	37AHB09016KA5
Trade Name		AHB45	AHB60	AHB75	AHB90
RATING AND PERFORMANCE		Descriptor (Typ.)			
Nominal Output Capacity (BTU/h) †		45,000	60,000	75,000	90,000
Air Side Temperature Rise Rate in °F (68°F Entering Air @ 150°F Entering Water)	Heat Speed	50	50	50	50
External Static Pressure	(in. W.C.)	0 to 1.0	0 to 1.0	0 to 1.0	0 to 1.0
Nominal Airflow (CFM)	Heating	800 ±	1200 ±	1400 ±	1600 ±
	Cooling Range	650 - 800	650 - 1200	1000 - 1600	1200 - 1750
ELECTRICAL					
Power Supply	V - HZ - PH	115-60-1			
Minimum Circuit Ampacity	MCA	9.6	9.6	12.43	16.2
Max. Rating of Overcurrent Protective Device	MOP (Calculated)	13.6	13.6	18	23.7
Maximum Fuse or CKT BKR Size	Amps	15	15	20	25
Transformer (24V)		40 VA (Primary: 120 VAC / Secondary: 24 VAC)			
Printed Circuit Board	PCB	INTEGRAL (with connections for A/C system, UV lamp, Humidifier, and electronic air cleaner)			
CONTROLS					
Available Unit Configurations	A/C or HP	Dip Switch Selectable (SW1)			
	Single or Two Stage	Dip Switch Selectable (SW1)			
	FS or WH	Shunt Selectable (P-7)			
Safety Door Switch	Rated Voltage	125 VAC			
	Resistive Load	21 Amp			
Blower Off Delay	HTG/CLG	Dip-switch Selectable/Fixed 30 Sec			
Cool / Heat Blower On Delay	Varies	Cool: 1 second / Heat: 25 seconds (see Sequence of Operations)			
INDOOR BLOWER MOTOR					
Type		DIRECT DRIVE MOTOR (ECM)			
Motor HP		1/2	1/2	3/4	1
Motor (Full Load Amps)	FLA	6.2	6.2	8.5	11.5
Run Capacitor	mfd/volts	N/A			N/A
Volts-PH-HZ		115-1-60			
CIRCULATING PUMP					
Type		Wet Rotor			
Volts-PH-HZ		115-1-60			
Motor (Full Load Amps/Locked Rotor Amps)	FLA/LRA	1.8 / 2.6			
Pump Motor HP		1/8			
Run Capacitor	mfd/volts	14/250			
Maximum Working Pressure	PSI	125			
Min/Max Fluid Temperature	°F (°C)	120 (49) / 160 (71)			
HYDRONIC HEATING COIL					
Coil Construction		3/8" OD copper tubes, aluminum fins, galvanized steel frame			
Rows...Fins/In		2...16	2...16	3...14	3...15
Total Face Area	Sq. Ft.	2.3	2.6	2.8	3.3
Approximate Internal Volume	Gallons	0.47	0.53	0.86	1.02
PIPING CONNECTIONS - (QTY)					
Type		Copper Stubs			
Supply Diameter	Inches	(1) 3/4			
Return Diameter	Inches	(1) 3/4			
RETURN-AIR FILTERS					
Filter Type (Throwaway)	Inches ††	12 X 20 X 1	16 X 20 X 1	20 X 20 X 1	(2) 12 X 20 X 1
UNIT WEIGHT					
Shipping	lbs	92	109	118	136
Installed (with water)	lbs	107	127	138	159

Rinnai is continually updating and improving products. Therefore, specifications are subject to change without prior notice.

† Tested in accordance with ANSI/ASHRAE Standard 37-Latest edition.

Side intake filter to be (1) 20"x20"x1" typical for all models.

‡ Airflows shown are nominal (blower speeds are factory set). For air delivery other than stated, refer to Air Delivery & Performance table.

Air filter pressure drop for non-standard filters must not exceed 0.08 in. wg.

†† Required filter sizes shown are based on the larger of the AHRI (Air Conditioning & Refrigeration Institute) rated cooling airflow or the heating airflow velocity of 300 ft/min for throwaway type or 450 ft/min for high-capacity type.

TABLE 5.0: AIR DELIVERY AND PERFORMANCE DATA (BOTTOM OR SIDE RETURN w/FACTORY SUPPLIED FILTER)

UNIT SIZE	ECM SPEED TAP	SUPPORTS COOLING CAP. RANGE (TONS)	EWT (°F)	NOMINAL HEATING CAPACITY	External Static Pressure (ESP) in. W.C.										Number of 3" Diameter Branch Legs applicable to High Velocity Systems Only. Used only if methods other than Table 3 is used to determine duct sizes.			
					AIRFLOW (CFM)											Optimal Legs @ 50 CFM/Leg	Maximum legs @ 40 CFM/Leg	
					0	0.1	0.2	0.3	0.4	0.5	0.6	0.7	0.8	0.9				1.0
37AHB04508KA5 + REU-KA3237FFUD (WD)-US	TAP 3 (H)	2.0	120	NET HEATING CAPACITY (MBH)	AHB45 + RC98HP(e)										13	16	20	
					AIRFLOW (CFM)													
					948	921	891	868	841	819	795	772	701	596				567
					31.6	30.7	29.7	28.9	28.0	27.3	26.5	25.7	23.4	19.9				18.9
					36.7	35.7	34.5	33.6	32.6	31.7	30.8	29.9	27.2	23.1				22.0
					44.1	42.8	41.4	40.4	39.1	38.1	37.0	35.9	32.6	27.7				26.4
	50.9	49.4	47.8	46.6	45.2	44.0	42.7	41.4	37.6	32.0	30.4							
	58.9	57.2	55.4	53.9	52.3	50.9	49.4	48.0	43.6	37.0	35.2							
	TAP 4 (M)	2.0	120	NET HEATING CAPACITY (MBH)	AHB45 + RC98HP(e)										TBD See Note 6.	TBD See Note 6.		
					AIRFLOW (CFM)													
					921	891	864	836	812	788	768	742	699	594			559	
					32.2	31.1	30.2	29.2	28.4	27.5	26.8	25.9	24.4	20.8			19.5	
37.6					36.4	35.3	34.1	33.1	32.2	31.3	30.3	28.5	24.2	22.8				
44.4					43.0	41.7	40.3	39.2	38.0	37.0	35.8	33.7	28.6	27.0				
50.2	48.6	47.1	45.6	44.3	42.9	41.9	40.4	38.1	32.4	30.5								
58.4	56.5	54.8	53.0	51.5	50.0	48.7	47.1	44.3	37.7	35.5								
TAP 5 (L)	1.5	120	NET HEATING CAPACITY (MBH)	AHB45 + RC98HP(e)										TBD See Note 6.	TBD See Note 6.			
				AIRFLOW (CFM)														
				803	768	740	712	682	652	628	596	569	541			510		
				30.1	28.7	27.7	26.7	25.5	24.4	23.5	22.3	21.3	20.3			19.1		
				35.8	34.2	33.0	31.7	30.4	29.1	28.0	26.6	25.4	24.1			22.7		
				42.1	40.3	38.8	37.4	35.8	34.2	33.0	31.3	29.9	28.4			26.8		
49.7	47.5	45.8	44.1	42.2	40.4	38.9	36.9	35.2	33.5	31.6								
56.7	54.2	52.2	50.2	48.1	46.0	44.3	42.1	40.1	38.2	36.0								

NOTES:

- EWT - Entering Water Temperature (F).
- CFM - Airflow in (Cubic Feet per Minute).
- Legs - 3 inch diameter flexible ducts to diffusers.
- 1 MBH = 1000 BTU/H.
- Shaded box represents rating point; refer to wiring diagram for factory set speed taps.

6. Number of 3" diameter legs specified in table above is for rating point only (i.e. at External Static Pressure of 0.5 in. wc. and speed TAP3, TAP1, TAP2, TAP2 for AHB45, AHB60, AHB75, AHB90 respectively). Final leg count is to be determined by the installing contractor and is to be based on the following formula:
 NUMBER OF LEGS = TOTAL AVAILABLE CFM (AT THE SPECIFIC ESP) / DESIRED CFM per LEG (40, 50, or 60 CFM)
 Example: Given the design point for AHB045 of 0.8 ESP, Low fan speed (Tap5). From table 5.0, available CFM is 569 and the desired CFM per leg is 50 CFM.
 Therefore, Number of Legs = 569/50 = 11.38 rounded down to 11.

TABLE 5.1: AIR DELIVERY AND PERFORMANCE DATA (BOTTOM OR SIDE RETURN w/FACTORY SUPPLIED FILTER)

UNIT SIZE	ECM SPEED TAP	SUPPORTS COOLING CAP. RANGE (TONS)	EWT (°F)	NOMINAL HEATING CAPACITY	External Static Pressure (ESP) in. W.C.											Number of 3" Diameter Branch Legs applicable to High Velocity Systems Only. Used only if methods other than Table 3 is used to determine duct sizes.			
					AIRFLOW (CFM)														
					0	0.1	0.2	0.3	0.4	0.5	0.6	0.7	0.8	0.9	1.0				
37AHB04508KA5 + REU-KA2530FFUD(WD)-US	TAP 3 (H)	2.0	120	NET HEATING CAPACITY (MBH)	AHB45 + RC80HP(e)	948	921	891	868	841	819	795	772	701	596	567	Minimum Legs @ 60 CFM/Leg 13	Optimal Legs @ 50 CFM/Leg 16	Maximum legs @ 40 CFM/Leg 20
						31.4	30.5	29.5	28.7	27.8	27.1	26.3	25.6	23.2	19.7	18.8			
						37.4	36.3	35.2	34.3	33.2	32.3	31.4	30.5	27.7	23.5	22.4			
						46.0	44.7	43.2	42.1	40.8	39.7	38.6	37.4	34.0	28.9	27.5			
						52.3	50.8	49.1	47.9	46.4	45.2	43.9	42.6	38.7	32.9	31.3			
						59.3	57.6	55.7	54.3	52.6	51.2	49.7	48.3	43.8	37.3	35.5			
	TAP 4 (M)	2.0	120	NET HEATING CAPACITY (MBH)	AHB45 + RC80HP(e)	921	891	864	836	812	788	768	742	699	594	559	Minimum Legs @ 60 CFM/Leg TBD See Note 6.	Optimal Legs @ 50 CFM/Leg TBD See Note 6.	Maximum legs @ 40 CFM/Leg TBD See Note 6.
						31.8	30.8	29.9	28.9	28.1	27.2	26.5	25.6	24.2	20.5	19.3			
						37.2	36.0	34.9	33.8	32.8	31.8	31.0	30.0	28.2	24.0	22.6			
						45.8	44.3	42.9	41.6	40.4	39.2	38.2	36.9	34.7	29.5	27.8			
						52.1	50.4	48.9	47.3	45.9	44.6	43.4	42.0	39.5	33.6	31.6			
						58.7	56.7	55.0	53.2	51.7	50.2	48.9	47.3	44.5	37.8	35.6			
TAP 5 (L)	1.5	120	NET HEATING CAPACITY (MBH)	AHB45 + RC80HP(e)	803	768	740	712	682	652	628	596	569	541	510	Minimum Legs @ 60 CFM/Leg TBD See Note 6.	Optimal Legs @ 50 CFM/Leg TBD See Note 6.	Maximum legs @ 40 CFM/Leg TBD See Note 6.	
					31.2	29.8	28.7	27.7	26.5	25.3	24.4	23.2	22.1	21.0	19.8				
					35.3	33.8	32.6	31.3	30.0	28.7	27.6	26.2	25.0	23.8	22.5				
					41.1	39.3	37.8	36.4	34.9	33.3	32.1	30.5	29.1	27.7	26.1				
					49.0	46.8	45.1	43.4	41.6	39.7	38.3	36.3	34.7	33.0	31.1				
					55.0	52.6	50.7	48.7	46.7	44.6	43.0	40.8	38.9	37.0	34.9				

NOTES:

- EWT - Entering Water Temperature (F).
- CFM - Airflow in (Cubic Feet per Minute).
- Legs - 3 inch diameter flexible ducts to diffusers.
- 1 MBH = 1000 BTU/H.
- Shaded box represents rating point; refer to wiring diagram for factory set speed taps.

6. Number of 3" diameter legs specified in table above is for rating point only (i.e. at External Static Pressure of 0.5 in. wc. and speed TAP3, TAP1, TAP2, TAP2 for AHB45, AHB60, AHB75, AHB90 respectively). Final leg count is to be determined by the installing contractor and is to be based on the following formula:
 NUMBER OF LEGS = TOTAL AVAILABLE CFM (AT THE SPECIFIC ESP) / DESIRED CFM per LEG (40, 50, or 60 CFM)
 Example: Given the design point for AHB045 of 0.8 ESP, Low fan speed (Tap5). From table 5.0, available CFM is 569 and the desired CFM per leg is 50 CFM.
 Therefore, Number of Legs = 569/50 = 11.38 rounded down to 11.

TABLE 5.2: AIR DELIVERY AND PERFORMANCE DATA (BOTTOM OR SIDE RETURN w/ FACTORY SUPPLIED FILTER)

UNIT SIZE	ECM SPEED TAP	SUPPORTS COOLING CAP. RANGE (TONS)	EWT (°F)	NOMINAL HEATING CAPACITY	External Static Pressure (ESP) in. W.C.											Minimum Legs @ 60 CFM/Leg	Optimal Legs @ 50 CFM/Leg	Maximum legs @ 40 CFM/Leg	
					AIRFLOW (CFM)														
					0	0.1	0.2	0.3	0.4	0.5	0.6	0.7	0.8	0.9	1.0				
37AHB06012KA5 + REU-KA3237FUD(WD)-US	TAP 1 (H)	AHB60 + RC98HPi(e)	3.0	NET HEATING CAPACITY (MBH)	120	1318	1296	1270	1248	1225	1197	1168	1109	1025	889	20	24	30	
					130	39.9	39.3	38.5	37.8	37.1	36.3	35.4	33.6	31.1	26.9				
					140	47.7	46.8	45.1	44.3	43.5	42.5	41.5	39.4	36.4	31.6				
					150	55.2	54.2	53.3	52.2	51.3	50.4	49.2	48.0	45.6	42.2				36.6
					160	64.1	62.9	61.8	60.6	59.5	58.4	57.1	55.7	52.9	48.9				42.4
						72.2	70.8	69.6	68.2	67.0	65.8	64.3	62.8	59.6	55.1				47.8
	TAP 2 (MH)	AHB60 + RC98HPi(e)	2.5	NET HEATING CAPACITY (MBH)	120	1148	1128	1103	1072	1045	1012	984	955	937	908	690	TBD See Note 6.	TBD See Note 6.	TBD See Note 6.
					130	38.7	38.0	37.2	36.1	35.2	34.1	33.2	32.2	31.6	30.6	23.3			
					140	44.5	43.8	42.8	41.6	40.5	39.3	38.2	37.0	36.3	35.2	26.8			
					150	52.1	51.2	50.1	48.7	47.5	46.0	44.7	43.4	42.6	41.2	31.3			
					160	61.3	60.3	58.9	57.3	55.8	54.1	52.6	51.0	50.1	48.5	36.9			
						68.8	67.6	66.1	64.2	62.6	60.7	59.0	57.2	56.2	54.4	41.4			
TAP 4 (ML)	AHB60 + RC98HPi(e)	2.0	NET HEATING CAPACITY (MBH)	120	971	942	911	880	847	817	784	751	715	680	642	TBD See Note 6.	TBD See Note 6.	TBD See Note 6.	
				130	36.2	35.1	34.0	32.8	31.6	30.5	29.2	28.0	26.6	25.3	23.9				
				140	42.6	41.4	40.0	38.6	37.2	35.9	34.4	33.0	31.4	29.9	28.2				
				150	50.0	48.5	46.9	45.3	43.6	42.0	40.3	38.6	36.8	35.0	33.0				
				160	57.8	56.0	54.2	52.4	50.4	48.6	46.6	44.7	42.5	40.5	38.2				
					64.6	62.7	60.6	58.6	56.4	54.4	52.2	50.0	47.6	45.3	42.7				
TAP 5 (L)	AHB60 + RC98HPi(e)	1.5	NET HEATING CAPACITY (MBH)	120	844	810	777	734	698	665	626	581	533	504	466	TBD See Note 6.	TBD See Note 6.	TBD See Note 6.	
				130	34.3	32.9	31.6	29.8	28.4	27.0	25.5	23.6	21.7	20.5	18.9				
				140	44.6	42.8	41.0	38.8	36.9	35.1	33.1	30.7	28.2	26.6	24.6				
				150	47.4	45.4	43.6	41.2	39.2	37.3	35.1	32.6	29.9	28.3	26.1				
				160	53.9	51.7	49.6	46.9	44.6	42.5	40.0	37.1	34.0	32.2	29.8				
					61.2	58.8	56.4	53.3	50.6	48.3	45.4	42.2	38.7	36.6	33.8				

NOTES:
 1. EWT - Entering Water Temperature (F).
 2. CFM - Airflow in (Cubic Feet per Minute).
 3. Legs - 3 inch diameter flexible ducts to diffusers.
 4. 1 MBH = 1000 BTU/H.
 5. Shaded box represents rating point; refer to wiring diagram for factory set speed taps.
 6. Number of 3" diameter legs specified in table above is for rating point only (i.e. at External Static Pressure of 0.5 in. w.c. and speed TAP3, TAP1, TAP2, TAP2 for AHB45, AHB60, AHB75, AHB90 respectively). Final leg count is to be determined by the installing contractor and is to be based on the following formula:
 NUMBER OF LEGS = TOTAL AVAILABLE CFM (AT THE SPECIFIC ESP) / DESIRED CFM per LEG (40, 50, or 60 CFM)
 Example: Given the design point for AHB045 of 0.8 ESP, Low fan speed (Tap5), From table 5.0, available CFM is 569 and the desired CFM per leg is 50 CFM. Therefore, Number of Legs = 569/50 = 11.38 rounded down to 11.

TABLE 5.3: AIR DELIVERY AND PERFORMANCE DATA (BOTTOM OR SIDE RETURN w/ FACTORY SUPPLIED FILTER)

UNIT SIZE	ECM SPEED TAP	SUPPORTS COOLING CAP. RANGE (TONS)	EWT (°F)	NOMINAL HEATING CAPACITY	External Static Pressure (ESP) in. w.c.										Minimum Legs @ 60 CFM/Leg	Optimal Legs @ 50 CFM/Leg	Maximum legs @ 40 CFM/Leg		
					AIRFLOW (CFM)														
					0	0.1	0.2	0.3	0.4	0.5	0.6	0.7	0.8	0.9				1.0	
37AHB06012KA5 + REU-KA2530FFUD(WD)-US	TAP 1 (H)	3.0	AHB60 + RC80HPi(e)	NET HEATING CAPACITY (MBH)	120	1318	1296	1270	1248	1225	1197	1168	1109	1025	889	20	24	30	
					41.0	40.3	39.6	38.8	38.1	37.4	36.6	35.7	33.9	31.3	27.2				
					47.4	46.5	45.7	44.8	44.0	43.2	42.2	41.2	39.1	36.2	31.4				
					54.8	53.8	52.9	51.8	50.9	50.0	48.8	47.6	45.2	41.8	36.3				
					63.7	62.6	61.5	60.3	59.2	58.1	56.8	55.4	52.6	48.6	42.2				
					70.4	69.1	68.0	66.6	65.5	64.3	62.8	61.3	58.2	53.8	46.6				
	TAP 2 (MH)	2.5	AHB60 + RC80HPi(e)	NET HEATING CAPACITY (MBH)	120	1148	1128	1103	1072	1045	1012	984	955	937	908	690	TBD See Note 6.	TBD See Note 6.	TBD See Note 6.
					37.9	37.3	36.4	35.4	34.5	33.4	32.5	31.5	31.0	30.0	22.8				
					44.5	43.7	42.8	41.6	40.5	39.2	38.2	37.0	36.3	35.2	26.8				
					52.1	51.2	50.1	48.7	47.4	45.9	44.7	43.4	42.5	41.2	31.3				
					60.5	59.4	58.1	56.5	55.1	53.3	51.9	50.3	49.4	47.8	36.4				
					66.9	65.7	64.3	62.5	60.9	59.0	57.3	55.6	54.6	52.9	40.2				
TAP 4 (ML)	2.0	AHB60 + RC80HPi(e)	NET HEATING CAPACITY (MBH)	120	971	942	911	880	847	817	784	751	715	680	642	TBD See Note 6.	TBD See Note 6.	TBD See Note 6.	
				35.0	34.0	32.8	31.7	30.5	29.5	28.3	27.1	25.8	24.5	23.1					
				41.9	40.6	39.3	37.9	36.5	35.2	33.8	32.4	30.8	29.3	27.7					
				49.6	48.1	46.5	44.9	43.2	41.7	40.0	38.3	36.5	34.7	32.8					
				58.6	56.9	55.0	53.1	51.1	49.3	47.3	45.3	43.2	41.1	38.8					
				63.8	61.9	59.8	57.8	55.6	53.6	51.5	49.3	47.0	44.7	42.2					
TAP 5 (L)	1.5	AHB60 + RC80HPi(e)	NET HEATING CAPACITY (MBH)	120	844	810	777	734	698	665	626	581	533	504	466	TBD See Note 6.	TBD See Note 6.	TBD See Note 6.	
				33.3	32.0	30.7	29.0	27.6	26.3	24.7	22.9	21.0	19.9	18.4					
				39.7	38.1	36.5	34.5	32.8	31.2	29.4	27.3	25.0	23.7	21.9					
				46.8	44.9	43.1	40.7	38.7	36.9	34.7	32.2	29.6	28.0	25.8					
				55.1	52.9	50.7	47.9	45.6	43.4	40.9	37.9	34.8	32.9	30.4					
				59.6	57.2	54.9	51.8	49.3	47.0	44.2	41.0	37.6	35.6	32.9					

6. Number of 3" diameter legs specified in table above is for rating point only (i.e. at External Static Pressure of 0.5 in. w.c. and speed TAP3, TAP1, TAP2 for AHB45, AHB60, AHB75, AHB90 respectively). Final leg count is to be determined by the installing contractor and is to be based on the following formula:
 NUMBER OF LEGS = TOTAL AVAILABLE CFM (AT THE SPECIFIC ESP) / DESIRED CFM per LEG (40, 50, or 60 CFM)
 Example: Given the design point for AHB045 of 0.8 ESP, Low fan speed (Tap5), From table 5.0, available CFM is 569 and the desired CFM per leg is 50 CFM. Therefore, Number of Legs = 569/50 = 11.38 rounded down to 11.

NOTES:
 1. EWT - Entering Water Temperature (F).
 2. CFM - Airflow in (Cubic Feet per Minute).
 3. Legs - 3 inch diameter flexible ducts to diffusers.
 4. 1 MBH = 1000 BTU/H.
 5. Shaded box represents rating point; refer to wiring diagram for factory set speed taps.

TABLE 5.4: AIR DELIVERY AND PERFORMANCE DATA (BOTTOM OR SIDE RETURN w/ FACTORY SUPPLIED FILTER)

UNIT SIZE	ECM SPEED TAP	SUPPORTS COOLING CAP. RANGE (TONS)	EWT (°F)	NOMINAL HEATING CAPACITY	External Static Pressure (ESP) in. w.C.										Minimum Legs @ 60 CFM/Leg	Optimal Legs @ 50 CFM/Leg	Maximum legs @ 40 CFM/Leg	
					AIRFLOW (CFM)													
					0	0.1	0.2	0.3	0.4	0.5	0.6	0.7	0.8	0.9				1.0
37AHB07514KA5 + REU-KA3237FFUD(WD)-US	TAP 1 (H)	4.0	120	NET HEATING CAPACITY (MBH)	1700	1666	1635	1604	1576	1543	1518	1492	1465	1430	1402	TBD See Note 6.	TBD See Note 6.	
					50.3	49.3	48.4	47.4	46.6	45.6	44.9	44.1	43.3	42.3	41.5			
					60.0	58.8	57.7	56.6	55.6	54.5	53.6	52.7	51.7	50.5	49.5			
					69.1	67.7	66.5	65.2	64.1	62.7	61.7	60.7	59.6	58.1	57.0			
					80.2	78.6	77.1	75.7	74.3	72.8	71.6	70.4	69.1	67.5	66.1			
					89.8	88.0	86.4	84.7	83.3	81.5	80.2	78.8	77.4	75.5	74.1			
	TAP 2 (MH)	3.5	120	NET HEATING CAPACITY (MBH)	1561	1524	1490	1456	1428	1396	1364	1330	1299	1265	1224	23	28	35
					51.3	50.1	49.0	47.8	46.9	45.9	44.8	43.7	40.4	41.6	40.2			
					59.6	58.2	56.9	55.6	54.5	53.3	52.1	50.8	46.9	48.3	46.7			
					70.2	68.5	67.0	65.4	64.2	62.7	61.3	59.8	55.3	56.9	55.0			
					80.0	78.1	76.3	74.6	73.2	71.5	69.9	68.2	63.0	64.8	62.7			
					89.5	87.4	85.5	83.5	81.9	80.1	78.2	76.3	70.6	72.6	70.2			
TAP 3 (ML)	3.0	120	NET HEATING CAPACITY (MBH)	1391	1350	1320	1281	1245	1209	1170	1131	1090	1064	1031	TBD See Note 6.	TBD See Note 6.		
				51.6	50.1	49.0	47.6	46.2	44.9	43.4	42.0	40.5	39.5	38.3				
				60.8	59.0	57.7	56.0	54.4	52.9	51.2	49.4	47.7	46.5	45.1				
				72.0	69.9	68.4	66.3	64.5	62.6	60.6	58.6	56.4	55.1	53.4				
				81.3	78.9	77.2	74.9	72.8	70.7	68.4	66.1	63.7	62.2	60.3				
				91.6	88.9	86.9	84.3	82.0	79.6	77.0	74.5	71.8	70.1	67.9				
TAP 4 (L)	2.5	120	NET HEATING CAPACITY (MBH)	1222	1174	1140	1100	1063	1014	979	937	887	829	777	TBD See Note 6.	TBD See Note 6.		
				47.4	45.5	44.2	42.7	41.2	39.3	38.0	36.3	34.4	32.2	30.1				
				53.3	51.2	49.7	48.0	46.4	44.2	42.7	40.9	38.7	36.2	33.9				
				64.5	62.0	60.2	58.1	56.1	53.5	51.7	49.5	46.8	43.8	41.0				
				73.7	70.8	68.7	66.3	64.1	61.1	59.0	56.5	53.5	50.0	46.9				
				82.1	78.9	76.6	73.9	71.4	68.1	65.8	63.0	59.6	55.7	52.2				

NOTES:
 1. EWT - Entering Water Temperature (F).
 2. CFM - Airflow in (Cubic Feet per Minute).
 3. Legs - 3 inch diameter flexible ducts to diffusers.
 4. 1 MBH = 1000 BTU/H.
 5. Shaded box represents rating point; refer to wiring diagram for factory set speed taps.
 6. Number of 3" diameter legs specified in table above is for rating point only (i.e. at External Static Pressure of 0.5 in. w.c. and speed TAP3, TAP1, TAP2 for AHB45, AHB60, AHB75, AHB90 respectively). Final leg count is to be determined by the installing contractor and is to be based on the following formula:
 NUMBER OF LEGS = TOTAL AVAILABLE CFM (AT THE SPECIFIC ESP) / DESIRED CFM per LEG (40, 50, or 60 CFM)
 Example: Given the design point for AHB045 of 0.8 ESP, Low fan speed (Tap5), From table 5.0, available CFM is 569 and the desired CFM per leg is 50 CFM. Therefore, Number of Legs = 569/50 = 11.38 rounded down to 11.

TABLE 5.5: AIR DELIVERY AND PERFORMANCE DATA (BOTTOM OR SIDE RETURN w/ FACTORY SUPPLIED FILTER)

UNIT SIZE	ECM SPEED TAP	SUPPORTS COOLING CAP. RANGE (TONS)	EWT (°F)	NOMINAL HEATING CAPACITY	External Static Pressure (ESP) in. w.c.										Minimum Legs @ 60 CFM/Leg	Optimal Legs @ 50 CFM/Leg	Maximum legs @ 40 CFM/Leg			
					AIRFLOW (CFM)															
					0	0.1	0.2	0.3	0.4	0.5	0.6	0.7	0.8	0.9				1.0		
37AHB07514KA5 + REU-KA2530FFUD(WD)-US	TAP 1 (H)	4.0	AHB75 + RC80HPi(e)	NET HEATING CAPACITY (MBH)	120	1700	1666	1635	1604	1576	1543	1518	1492	1465	1430	1402	TBD See Note 6.	TBD See Note 6.	TBD See Note 6.	
					130	51.3	50.3	49.3	48.4	47.6	46.6	45.8	45.0	44.2	43.2	42.3				
					140	61.3	60.1	58.9	57.8	56.8	55.6	54.7	53.8	52.8	51.5	50.5				
					150	71.6	70.2	68.9	67.6	66.4	65.0	63.9	62.8	61.7	60.2	59.1				
					160	82.2	80.6	79.1	77.6	76.2	74.6	73.4	72.2	70.8	69.2	67.8				
						91.9	90.1	88.4	86.7	85.2	83.4	82.1	80.7	79.2	77.3	75.8				
	TAP 2 (MH)	3.5	AHB75 + RC80HPi(e)	NET HEATING CAPACITY (MBH)	120	1561	1524	1490	1456	1428	1396	1364	1330	1297	1265	1224	23	28	35	
					130	52.6	51.3	50.2	49.0	48.1	47.0	45.9	44.8	44.4	41.4	42.6				41.2
					140	60.8	59.3	58.0	56.7	55.6	54.3	53.1	51.8	47.9	49.2	47.6				
					150	70.4	68.8	67.2	65.7	64.4	63.0	61.5	60.0	55.5	57.1	55.2				
					160	80.5	78.6	76.8	75.1	73.6	72.0	70.3	68.6	63.4	65.2	63.1				
						89.9	87.8	85.8	83.9	82.3	80.4	78.6	76.6	70.9	72.9	70.5				
TAP 3 (ML)	3.0	AHB75 + RC80HPi(e)	NET HEATING CAPACITY (MBH)	120	1391	1350	1320	1281	1245	1209	1170	1131	1090	1064	1031	TBD See Note 6.	TBD See Note 6.	TBD See Note 6.		
				130	49.6	48.2	47.1	45.7	44.4	43.1	41.7	40.4	38.9	38.0	36.8					
				140	57.8	56.1	54.8	53.2	51.7	50.2	48.6	47.0	45.3	44.2	42.8					
				150	66.1	64.2	62.7	60.9	59.2	57.5	55.6	53.8	51.8	50.6	49.0					
				160	76.1	73.8	72.2	70.1	68.1	66.1	64.0	61.9	59.6	58.2	56.4					
					87.1	84.6	82.7	80.3	78.0	75.7	73.3	70.9	68.3	66.7	64.6					
TAP 4 (L)	2.5	AHB75 + RC80HPi(e)	NET HEATING CAPACITY (MBH)	120	1222	1174	1140	1100	1063	1014	979	937	887	829	777	TBD See Note 6.	TBD See Note 6.	TBD See Note 6.		
				130	47.6	45.7	44.4	42.8	41.4	39.5	38.1	36.5	34.5	32.3	30.3					
				140	54.7	52.5	51.0	49.2	47.5	45.4	43.8	41.9	39.7	37.1	34.8					
				150	64.1	61.5	59.8	57.7	55.7	53.2	51.3	49.1	46.5	43.5	40.7					
				160	73.2	70.3	68.3	65.9	63.7	60.7	58.6	56.1	53.1	49.6	46.5					
					84.2	80.9	78.6	75.8	73.3	69.9	67.5	64.6	61.1	57.1	53.6					

NOTES:
 1. EWT - Entering Water Temperature (F).
 2. CFM - Airflow in (Cubic Feet per Minute).
 3. Legs - 3 inch diameter flexible ducts to diffusers.
 4. 1 MBH = 1000 BTU/H.
 5. Shaded box represents rating point; refer to wiring diagram for factory set speed taps.
 6. Number of 3" diameter legs specified in table above is for rating point only (i.e. at External Static Pressure of 0.5 in. w.c. and speed TAP3, TAP1, TAP2, TAP2 for AHB45, AHB60, AHB75, AHB90 respectively). Final leg count is to be determined by the installing contractor and is to be based on the following formula:
 NUMBER OF LEGS = TOTAL AVAILABLE CFM (AT THE SPECIFIC ESP) / DESIRED CFM per LEG (40, 50, or 60 CFM)
 Example: Given the design point for AHB045 of 0.8 ESP, Low fan speed (Tap5), From table 5.0, available CFM is 569 and the desired CFM per leg is 50 CFM. Therefore, Number of Legs = 569/50 = 11.38 rounded down to 11.

TABLE 5.6: AIR DELIVERY AND PERFORMANCE DATA (BOTTOM OR SIDE RETURN w/ FACTORY SUPPLIED FILTER)

UNIT SIZE	ECM SPEED TAP	SUPPORTS COOLING CAP. RANGE (TONS)	EWT (°F)	NOMINAL HEATING CAPACITY	External Static Pressure (ESP) in. w.c.										Minimum Legs @ 60 CFM/Leg	Optimal Legs @ 50 CFM/Leg	Maximum legs @ 40 CFM/Leg	
					AIRFLOW (CFM)													
					0	0.1	0.2	0.3	0.4	0.5	0.6	0.7	0.8	0.9				1.0
37AHB09016KA5 + REU-KA3237FFUD(WD)-US	TAP 1 (H)	5.0	AHB90 + RC98HPi(e)	NET HEATING CAPACITY (MBH)	120	1934	1889	1857	1818	1784	1750	1715	1680	1568	1491	1377	TBD See Note 6.	TBD See Note 6.
					130	63.5	62.0	61.0	59.7	58.6	57.4	56.3	55.1	51.5	48.9	45.2		
					140	71.3	69.6	68.4	67.0	65.8	64.5	63.2	61.9	57.8	55.0	50.8		
					150	82.1	80.2	78.8	77.2	75.7	74.3	72.8	71.3	66.6	63.3	58.5		
					160	94.3	92.1	90.5	88.6	87.0	85.3	83.6	81.9	76.4	72.7	67.1		
					106.9	104.4	102.6	100.5	98.6	96.7	94.8	92.8	86.6	82.4	76.1			
	TAP 2 (MH)	4.0	AHB90 + RC98HPi(e)	NET HEATING CAPACITY (MBH)	120	1777	1732	1694	1650	1630	1592	1553	1517	1464	1441	1361	TBD See Note 6.	TBD See Note 6.
					130	58.9	57.5	56.2	54.7	54.1	52.8	51.5	50.3	48.6	47.8	45.1		
					140	70.9	69.1	67.6	65.8	65.0	63.5	61.9	60.5	58.4	57.5	54.3		
					150	79.3	77.3	75.6	73.6	72.8	71.1	69.3	67.7	65.3	64.3	60.7		
					160	91.0	88.7	86.7	84.5	83.4	81.5	79.5	77.7	75.0	73.8	69.7		
					101.7	99.1	96.9	94.4	93.3	91.1	88.8	86.8	83.8	82.4	77.9			
TAP 3 (ML)	3.5	AHB90 + RC98HPi(e)	NET HEATING CAPACITY (MBH)	120	1573	1530	1490	1448	1417	1372	1327	1293	1253	1221	1175	TBD See Note 6.	TBD See Note 6.	
				130	55.0	53.5	52.1	50.7	49.6	48.0	46.4	45.2	43.8	42.7	41.1			
				140	65.2	63.4	61.7	60.0	58.7	56.8	55.0	53.6	51.9	50.6	48.7			
				150	75.7	73.6	71.7	69.6	68.2	66.0	63.8	62.2	60.3	58.7	56.5			
				160	86.2	83.9	81.7	79.4	77.7	75.2	72.7	70.9	68.7	66.9	64.4			
				96.8	94.1	91.7	89.1	87.2	84.4	81.6	79.5	77.1	75.1	72.3				
TAP 4 (L)	3.0	AHB90 + RC98HPi(e)	NET HEATING CAPACITY (MBH)	120	1400	1351	1317	1275	1225	1183	1134	1095	1053	1011	951	TBD See Note 6.	TBD See Note 6.	
				130	53.0	51.2	49.9	48.3	46.4	44.8	42.9	41.5	39.9	38.3	36.0			
				140	63.1	60.9	59.4	57.5	55.2	53.3	51.1	49.3	47.5	45.6	42.9			
				150	72.5	70.0	68.2	66.0	63.4	61.3	58.7	56.7	54.5	52.4	49.3			
				160	82.7	79.8	77.8	75.3	72.3	69.9	67.0	64.7	62.2	59.7	56.2			
				93.0	89.7	87.5	84.7	81.4	78.6	75.3	72.7	69.9	67.2	63.2				

Number of 3" Diameter Branch Legs applicable to High Velocity Systems Only. Used only if methods other than Table 3 is used to determine duct sizes.

6. Number of 3" diameter legs specified in table above is for rating point only (i.e. at External Static Pressure of 0.5 in. w.c. and speed TAP3, TAP1, TAP2, TAP2 for AHB45, AHB60, AHB75, AHB90 respectively). Final leg count is to be determined by the installing contractor and is to be based on the following formula:
 NUMBER OF LEGS = TOTAL AVAILABLE CFM (AT THE SPECIFIC ESP) / DESIRED CFM per LEG (40, 50, or 60 CFM)
 Example: Given the design point for AHB045 of 0.8 ESP, Low fan speed (Tap5), From table 5.0, available CFM is 569 and the desired CFM per leg is 50 CFM. Therefore, Number of Legs = 569/50 = 11.38 rounded down to 11.

NOTES:
 1. EWT - Entering Water Temperature (F).
 2. CFM - Airflow in (Cubic Feet per Minute).
 3. Legs - 3 inch diameter flexible ducts to diffusers.
 4. 1 MBH = 1000 BTU/H.
 5. Shaded box represents rating point; refer to wiring diagram for factory set speed taps.

TABLE 5.7: AIR DELIVERY AND PERFORMANCE DATA (BOTTOM OR SIDE RETURN w/ FACTORY SUPPLIED FILTER)

UNIT SIZE	ECM SPEED TAP	SUPPORTS COOLING CAP. RANGE (TONS)	EWT (°F)	NOMINAL HEATING CAPACITY	External Static Pressure (ESP) in. w.c.										Minimum Legs @ 60 CFM/Leg	Optimal Legs @ 50 CFM/Leg	Maximum legs @ 40 CFM/Leg		
					AIRFLOW (CFM)														
					0	0.1	0.2	0.3	0.4	0.5	0.6	0.7	0.8	0.9				1.0	
37AHB09016KA5 + REU-KA2530FFUD(WD)-US	TAP 1 (H)	5.0	AHB90 + RC80HPi(e)	NET HEATING CAPACITY (MBH)	120	1934	1889	1857	1818	1784	1750	1715	1680	1568	1491	1377	TBD See Note 6.	TBD See Note 6.	
					130	61.4	60.0	59.0	57.8	56.7	55.6	54.5	53.4	49.8	47.4	43.7			
					140	71.4	69.7	68.6	67.1	65.9	64.6	63.3	62.0	57.9	55.0	50.8			
					150	80.9	79.0	77.7	76.0	74.6	73.2	71.7	70.3	65.6	62.4	57.6			
					160	92.7	90.5	89.0	87.1	85.5	83.9	82.2	80.5	75.1	71.4	66.0			
					104.4	102.0	100.2	98.1	96.3	94.5	92.6	90.7	84.6	80.5	74.3				
	TAP 2 (MH)	4.0	AHB90 + RC80HPi(e)	NET HEATING CAPACITY (MBH)	120	1777	1732	1694	1650	1630	1592	1553	1517	1464	1441	1361	27	32	40
					130	59.5	58.0	56.7	55.2	54.6	53.3	52.0	50.8	49.0	48.3	45.6			
					140	68.9	67.1	65.6	63.9	63.2	61.7	60.2	58.8	56.7	55.8	52.7			
					150	79.1	77.1	75.4	73.5	72.6	70.9	69.1	67.5	65.2	64.2	60.6			
					160	90.4	88.1	86.2	84.0	82.9	81.0	79.0	77.2	74.5	73.3	69.3			
					101.4	98.9	96.7	94.2	93.0	90.9	88.6	86.6	83.6	82.2	77.7				
TAP 3 (ML)	3.5	AHB90 + RC80HPi(e)	NET HEATING CAPACITY (MBH)	120	1573	1530	1490	1448	1417	1372	1327	1293	1253	1221	1175	TBD See Note 6.	TBD See Note 6.		
				130	57.1	55.6	54.1	52.6	51.5	49.8	48.2	47.0	45.5	44.3	42.7				
				140	66.0	64.2	62.5	60.8	59.5	57.6	55.7	54.3	52.6	51.3	49.3				
				150	76.3	74.3	72.3	70.3	68.8	66.6	64.4	62.8	60.8	59.3	57.0				
				160	87.6	85.2	83.0	80.7	78.9	76.4	73.9	72.0	69.8	68.0	65.4				
				97.9	95.2	92.7	90.1	88.2	85.4	82.6	80.5	78.0	76.0	73.1					
TAP 4 (L)	3.0	AHB90 + RC80HPi(e)	NET HEATING CAPACITY (MBH)	120	1400	1351	1317	1275	1225	1183	1134	1095	1053	1011	951	TBD See Note 6.	TBD See Note 6.		
				130	54.4	52.5	51.2	49.5	47.6	46.0	44.1	42.5	40.9	39.3	37.0				
				140	63.2	61.0	59.5	57.6	55.3	53.4	51.2	49.5	47.6	45.7	42.9				
				150	73.1	70.5	68.7	66.5	63.9	61.7	59.2	57.2	55.0	52.8	49.6				
				160	85.0	82.0	80.0	77.4	74.4	71.8	68.8	66.5	63.9	61.4	57.7				
				93.7	90.4	88.2	85.3	82.0	79.2	75.9	73.3	70.5	67.7	63.7					

NOTES:
 1. EWT - Entering Water Temperature (F).
 2. CFM - Airflow in (Cubic Feet per Minute).
 3. Legs - 3 inch diameter flexible ducts to diffusers.
 4. 1 MBH = 1000 BTU/H.
 5. Shaded box represents rating point; refer to wiring diagram for factory set speed taps.
 6. Number of 3" diameter legs specified in table above is for rating point only (i.e. at External Static Pressure of 0.5 in. w.c. and speed TAP3, TAP1, TAP2, TAP2 for AHB45, AHB60, AHB75, AHB90 respectively). Final leg count is to be determined by the installing contractor and is to be based on the following formula:
 NUMBER OF LEGS = TOTAL AVAILABLE CFM (AT THE SPECIFIC ESP) / DESIRED CFM per LEG (40, 50, or 60 CFM)
 Example: Given the design point for AHB045 of 0.8 ESP, Low fan speed (Tap5), From table 5.0, available CFM is 569 and the desired CFM per leg is 50 CFM. Therefore, Number of Legs = 569/50 = 11.38 rounded down to 11.

TABLE 5.8: AIR DELIVERY AND PERFORMANCE DATA (BOTTOM OR SIDE RETURN w/FACTORY SUPPLIED FILTER)

UNIT SIZE	ECM SPEED TAP	SUPPORTS COOLING CAP. RANGE (TONS)	EWT (°F)	NOMINAL HEATING CAPACITY	External Static Pressure (ESP) in. W.C.										Minimum Legs @ 60 CFM/Leg	Optimal Legs @ 50 CFM/Leg	Maximum legs @ 40 CFM/Leg		
					AIRFLOW (CFM)														
					0	0.1	0.2	0.3	0.4	0.5	0.6	0.7	0.8	0.9				1.0	
37AHB04508KA5 + REU-VB2020FFUD-US	TAP 3 (H)	2.0	120	NET HEATING CAPACITY (MBH)	AHB45 +V53i	948	921	891	868	841	819	795	772	701	596	567	13	16	20
						34.5	33.6	32.5	31.6	30.6	29.8	29.0	28.1	25.5	21.7	20.7			
						41.0	39.8	38.5	37.5	36.3	35.4	34.4	33.4	30.3	25.8	24.5			
						47.9	46.6	45.1	43.9	42.5	41.4	40.2	39.0	35.5	30.1	28.7			
						54.9	53.4	51.6	50.3	48.7	47.4	46.1	44.7	40.6	34.5	32.8			
						61.1	59.4	57.4	55.9	54.2	52.8	51.2	49.8	45.2	38.4	36.5			
	TAP 4 (M)	2.0	130	NET HEATING CAPACITY (MBH)	AHB45 +V53i	921	891	864	836	812	788	768	742	699	594	559	TBD	TBD	TBD
						33.9	32.8	31.8	30.8	29.9	29.0	28.3	27.3	25.7	21.9	20.6			
						40.5	39.2	38.0	36.7	35.7	34.6	33.7	32.6	30.7	26.1	24.6			
						47.0	45.5	44.1	42.7	41.4	40.2	39.2	37.9	35.7	30.3	28.5			
						54.6	52.8	51.2	49.6	48.1	46.7	45.5	44.0	41.4	35.2	33.1			
						60.6	58.7	56.9	55.0	53.5	51.9	50.6	48.8	46.0	39.1	36.8			
TAP 5 (L)	1.5	140	NET HEATING CAPACITY (MBH)	AHB45 +V53i	803	768	740	712	682	652	628	596	569	541	510	TBD	TBD	TBD	
					32.3	30.9	29.8	28.7	27.5	26.2	25.3	24.0	22.9	21.8	20.5				
					38.4	36.7	35.4	34.1	32.6	31.2	30.0	28.5	27.2	25.9	24.4				
					45.2	43.3	41.7	40.1	38.4	36.7	35.4	33.6	32.0	30.5	28.7				
					51.7	49.5	47.6	45.8	43.9	42.0	40.4	38.4	36.6	34.8	32.8				
					57.7	55.2	53.2	51.2	49.0	46.9	45.2	42.8	40.9	38.9	36.7				

6. Number of 3" diameter legs specified in table above is for rating point only (i.e. at External Static Pressure of 0.5 in. wc. and speed TAP3, TAP1, TAP2, TAP2 for AHB45, AHB60, AHB75, AHB90 respectively). Final leg count is to be determined by the installing contractor and is to be based on the following formula:
 NUMBER OF LEGS = TOTAL AVAILABLE CFM (AT THE SPECIFIC ESP) / DESIRED CFM per LEG (40, 50, or 60 CFM)
 Example: Given the design point for AHB045 of 0.8 ESP, Low fan speed (Tap5), From table 5.0, available CFM is 569 and the desired CFM per leg is 50 CFM. Therefore, Number of Legs = 569/50 = 11.38 rounded down to 11.

7. Shaded box represents rating point; refer to wiring diagram for factory set speed taps.

- NOTES:
1. EWT - Entering Water Temperature (F).
 2. CFM - Airflow in (Cubic Feet per Minute).
 3. Legs - 3 inch diameter flexible ducts to diffusers.
 4. 1 MBH = 1000 BTU/H.
 5. Shaded box represents rating point; refer to wiring diagram for factory set speed taps.

TABLE 5.9: AIR DELIVERY AND PERFORMANCE DATA (BOTTOM OR SIDE RETURN w/FACTORY SUPPLIED FILTER)

UNIT SIZE	ECM SPEED TAP	SUPPORTS COOLING CAP. RANGE (TONS)	EWT (°F)	NOMINAL HEATING CAPACITY	External Static Pressure (ESP) in. W.C.										Minimum Legs @ 60 CFM/Leg	Optimal Legs @ 50 CFM/Leg	Maximum legs @ 40 CFM/Leg		
					AIRFLOW (CFM)														
					0	0.1	0.2	0.3	0.4	0.5	0.6	0.7	0.8	0.9				1.0	
37AHB04508KA5 + REU-VB2528FFUD(WD)-US	TAP 3 (H)	2.0	120	NET HEATING CAPACITY (MBH)	948	921	891	868	841	819	795	772	701	596	567	13	16	20	
					32.1	31.2	30.2	29.4	28.5	27.7	26.9	26.1	23.7	20.2	19.2				
					38.5	37.4	36.2	35.2	34.1	33.3	32.3	31.3	28.5	24.2	23.0				
					46.4	45.1	43.6	42.5	41.2	40.1	38.9	37.8	34.3	29.2	27.8				
					52.9	51.4	49.7	48.4	46.9	45.7	44.4	43.1	39.1	33.3	31.6				
	59.3	57.6	55.7	54.3	52.6	51.2	49.7	48.3	43.8	37.3	35.5								
	TAP 4 (M)	2.0	120	NET HEATING CAPACITY (MBH)	921	891	864	836	812	788	768	742	699	594	559	TBD	TBD	TBD	See Note 6.
					31.7	30.6	29.7	28.7	27.9	27.1	26.4	25.5	24.0	20.4	19.2				
					38.3	37.1	35.9	34.8	33.8	32.8	31.9	30.9	29.1	24.7	23.3				
					45.8	44.3	43.0	41.6	40.4	39.2	38.2	36.9	34.8	29.6	27.8				
52.3					50.6	49.1	47.5	46.1	44.7	43.6	42.1	39.7	33.7	31.7					
57.8	55.9	54.2	52.4	50.9	49.4	48.2	46.5	43.8	37.2	35.1									
TAP 5 (L)	1.5	120	NET HEATING CAPACITY (MBH)	803	768	740	712	682	652	628	596	569	541	510	TBD	TBD	TBD	See Note 6.	
				29.0	27.7	26.7	25.7	24.6	23.5	22.6	21.5	20.5	19.5	18.4					
				36.1	34.5	33.3	32.0	30.7	29.3	28.2	26.8	25.6	24.3	22.9					
				41.7	39.9	38.4	37.0	35.4	33.9	32.6	31.0	29.6	28.1	26.5					
				48.7	46.6	44.9	43.2	41.4	39.6	38.1	36.2	34.5	32.8	30.9					
54.7	52.3	50.4	48.5	46.4	44.4	42.7	40.6	38.7	36.8	34.7									

- NOTES:
- EWT - Entering Water Temperature (F).
 - CFM - Airflow in (Cubic Feet per Minute).
 - Legs - 3 inch diameter flexible ducts to diffusers.
 - 1 MBH = 1000 BTU/H.
 - Shaded box represents rating point; refer to wiring diagram for factory set speed taps.
 - Number of 3" diameter legs specified in table above is for rating point only (i.e. at External Static Pressure of 0.5 in. wc. and speed TAP3, TAP1, TAP2, TAP2 for AHB45, AHB60, AHB75, AHB90 respectively). Final leg count is to be determined by the installing contractor and is to be based on the following formula:
 NUMBER OF LEGS = TOTAL AVAILABLE CFM (AT THE SPECIFIC ESP) / DESIRED CFM per LEG (at .50, or 60 CFM)
 Example: Given the design point for AHB045 of 0.8 ESP, Low fan speed (Tap5). From table 5.0, available CFM is 569 and the desired CFM per leg is 50 CFM. Therefore, Number of Legs = 569/50 = 11.38 rounded down to 11.

TABLE 5.10: AIR DELIVERY AND PERFORMANCE DATA (BOTTOM OR SIDE RETURN w/ FACTORY SUPPLIED FILTER)

UNIT SIZE	ECM SPEED TAP	SUPPORTS COOLING CAP. RANGE (TONS)	EWT (°F)	NOMINAL HEATING CAPACITY	External Static Pressure (ESP) in. W.C.										Number of 3" Diameter Branch Legs applicable to High Velocity Systems Only. Used only if methods other than Table 3 is used to determine duct sizes.			
					AIRFLOW (CFM)													
					0	0.1	0.2	0.3	0.4	0.5	0.6	0.7	0.8	0.9		1.0		
37AHB04508KA5 + REU-VB2735FFUD(WD)-US	TAP 3 (H)	2.0	120	NET HEATING CAPACITY (MBH)	AHB45 + R94-LSi(e)	948	921	891	868	841	819	795	772	701	596	567	Optimal Legs @ 50 CFM/Leg	Maximum legs @ 40 CFM/Leg
						31.7	30.8	29.8	29.0	28.1	27.4	26.6	25.8	23.4	19.9	19.0		
						38.4	37.3	36.1	35.1	34.0	33.2	32.2	31.3	28.4	24.1	23.0		
						45.2	43.9	42.5	41.4	40.1	39.0	37.9	36.8	33.4	28.4	27.0		
						51.4	49.9	48.3	47.1	45.6	44.4	43.1	41.9	38.0	32.3	30.7		
						58.0	56.4	54.5	53.1	51.5	50.1	48.6	47.2	42.9	36.5	34.7		
	TAP 4 (M)	2.0	130	NET HEATING CAPACITY (MBH)	AHB45 + R94-LSi(e)	921	891	864	836	812	788	768	742	699	594	559	Optimal Legs @ 50 CFM/Leg	Maximum legs @ 40 CFM/Leg
						31.9	30.8	29.9	28.9	28.1	27.3	26.6	25.7	24.2	20.6	19.3		
						38.2	37.0	35.9	34.7	33.7	32.7	31.9	30.8	29.0	24.7	23.2		
						43.8	42.3	41.0	39.7	38.6	37.4	36.5	35.2	33.2	28.2	26.6		
						50.8	49.2	47.7	46.1	44.8	43.5	42.4	40.9	38.6	32.8	30.8		
						57.0	55.2	53.5	51.8	50.3	48.8	47.6	45.9	43.3	36.8	34.6		
TAP 5 (L)	1.5	140	NET HEATING CAPACITY (MBH)	AHB45 + R94-LSi(e)	803	768	740	712	682	652	628	596	569	541	510	Optimal Legs @ 50 CFM/Leg	Maximum legs @ 40 CFM/Leg	
					29.5	28.2	27.1	26.1	25.0	23.9	23.0	21.9	20.9	19.8	18.7			
					36.2	34.6	33.3	32.1	30.7	29.4	28.3	26.8	25.6	24.4	23.0			
					42.0	40.1	38.7	37.2	35.6	34.1	32.8	31.1	29.7	28.3	26.6			
					47.5	45.4	43.7	42.1	40.3	38.5	37.1	35.2	33.6	32.0	30.1			
					53.6	51.3	49.4	47.5	45.5	43.5	41.9	39.8	38.0	36.1	34.0			

NOTES:

- EWT - Entering Water Temperature (F).
- CFM - Airflow in (Cubic Feet per Minute).
- Legs - 3 inch diameter flexible ducts to diffusers.
- 1 MBH = 1000 BTU/H.
- Shaded box represents rating point; refer to wiring diagram for factory set speed taps.
- Number of 3" diameter legs specified in table above is for rating point only (i.e. at External Static Pressure of 0.5 in. wc. and speed TAP3, TAP1, TAP2, TAP2 for AHB45, AHB60, AHB75, AHB90 respectively). Final leg count is to be determined by the installing contractor and is to be based on the following formula:
 NUMBER OF LEGS = TOTAL AVAILABLE CFM (AT THE SPECIFIC ESP) / DESIRED CFM per LEG (at .50, or 60 CFM)
 Example: Given the design point for AHB045 of 0.8 ESP, Low fan speed (Tap5). From table 5.0, available CFM is 569 and the desired CFM per leg is 50 CFM. Therefore, Number of Legs = 569/50 = 11.38 rounded down to 11.

TABLE 5.11: AIR DELIVERY AND PERFORMANCE DATA (BOTTOM OR SIDE RETURN w/ FACTORY SUPPLIED FILTER)

UNIT SIZE	ECM SPEED TAP	SUPPORTS COOLING CAP. RANGE (TONS)	EWT (°F)	NOMINAL HEATING CAPACITY	External Static Pressure (ESP) in. W.C.											Minimum Legs @ 60 CFM/Leg	Optimal Legs @ 50 CFM/Leg	Maximum legs @ 40 CFM/Leg	
					AIRFLOW (CFM)														
					0	0.1	0.2	0.3	0.4	0.5	0.6	0.7	0.8	0.9	1.0				
37AHB06012KA5 + REU-VB2020FFUD-US	TAP 1 (H)	3.0	AHB60 + V53i	NET HEATING CAPACITY (MBH)	120	1343	1296	1270	1248	1225	1197	1168	1109	1025	889	20	24	30	
					130	37.3	36.6	36.0	35.3	34.7	34.0	33.2	32.4	30.8	28.5				24.7
					140	44.9	44.1	43.4	42.5	41.7	41.0	40.0	39.1	37.1	34.3				29.7
					150	52.8	51.9	51.0	50.0	49.1	48.2	47.1	46.0	43.6	40.3				35.0
					160	60.9	59.8	58.8	57.6	56.6	55.6	54.3	53.0	50.3	46.5				40.3
	TAP 2 (MH)	2.5	AHB60 + V53i	NET HEATING CAPACITY (MBH)	120	1148	1128	1103	1072	1045	1012	984	955	937	908	690	TBD	TBD	TBD
					130	35.5	34.9	34.1	33.2	32.3	31.3	30.4	29.5	29.0	28.1	21.4			
					140	42.3	41.5	40.6	39.5	38.5	37.3	36.2	35.2	34.5	33.4	25.4			
					150	49.6	48.7	47.6	46.3	45.1	43.7	42.5	41.2	40.5	39.2	29.8			
					160	57.4	56.4	55.2	53.6	52.3	50.6	49.2	47.8	46.9	45.4	34.5			
	TAP 4 (ML)	2.0	AHB60 + V53i	NET HEATING CAPACITY (MBH)	120	971	942	911	880	847	817	784	751	715	680	642	TBD	TBD	TBD
					130	34.9	33.9	32.8	31.6	30.5	29.4	28.2	27.0	25.7	24.5	23.1			
					140	41.2	40.0	38.7	37.4	36.0	34.7	33.3	31.9	30.4	28.9	27.3			
					150	48.1	46.7	45.1	43.6	41.9	40.5	38.8	37.2	35.4	33.7	31.8			
					160	55.2	53.5	51.8	50.0	48.1	46.4	44.5	42.7	40.6	38.6	36.5			
TAP 5 (L)	1.5	AHB60 + V53i	NET HEATING CAPACITY (MBH)	120	844	810	777	734	698	665	626	581	533	504	466	TBD	TBD	TBD	
				130	33.1	31.8	30.5	28.8	27.4	26.1	24.6	22.8	20.9	19.8	18.3				
				140	39.0	37.5	35.9	33.9	32.3	30.8	29.0	26.9	24.7	23.3	21.6				
				150	45.4	43.5	41.8	39.4	37.5	35.7	33.6	31.2	28.6	27.1	25.0				
				160	50.9	48.9	46.9	44.3	42.1	40.1	37.8	35.0	32.2	30.4	28.1				

NOTES:
 1. EWT - Entering Water Temperature (F).
 2. CFM - Airflow in (Cubic Feet per Minute).
 3. Legs - 3 inch diameter flexible ducts to diffusers.
 4. 1 MBH = 1000 BTU/H.
 5. Shaded box represents rating point; refer to wiring diagram for factory set speed taps.
 6. Number of 3" diameter legs specified in table above is for rating point only (i.e. at External Static Pressure of 0.5 in. w.c. and speed TAP3, TAP1, TAP2, TAP2 for AHB45, AHB60, AHB75, AHB90 respectively). Final leg count is to be determined by the installing contractor and is to be based on the following formula:
 NUMBER OF LEGS = TOTAL AVAILABLE CFM (AT THE SPECIFIC ESP) / DESIRED CFM per LEG (40, 50, or 60 CFM)
 Example: Given the design point for AHB045 of 0.8 ESP, Low fan speed (Tap5), From table 5.0, available CFM is 569 and the desired CFM per leg is 50 CFM. Therefore, Number of Legs = 569/50 = 11.38 rounded down to 11.

TABLE 5.12: AIR DELIVERY AND PERFORMANCE DATA (BOTTOM OR SIDE RETURN w/ FACTORY SUPPLIED FILTER)

UNIT SIZE	ECM SPEED TAP	SUPPORTS COOLING CAP. RANGE (TONS)	EWT (°F)	NOMINAL HEATING CAPACITY	External Static Pressure (ESP) in. W.C.										Minimum Legs @ 60 CFM/Leg	Optimal Legs @ 50 CFM/Leg	Maximum legs @ 40 CFM/Leg		
					AIRFLOW (CFM)														
					0	0.1	0.2	0.3	0.4	0.5	0.6	0.7	0.8	0.9				1.0	
37AHB06012KA5 + REU-VB2528FFUD(WD)-US	TAP 1 (H)	AHB60 + R75-LSi(e)	3.0	NET HEATING CAPACITY (MBH)	120	1318	1296	1270	1248	1225	1197	1168	1109	1025	889	20	24	30	
					130	39.9	38.5	37.7	37.1	36.4	35.6	34.7	32.9	30.4	26.4				
					140	49.5	48.6	47.8	46.8	46.0	45.1	44.1	43.0	40.9	37.8				32.8
					150	55.7	54.6	53.7	52.6	51.7	50.8	49.6	48.4	46.0	42.5				36.8
					160	65.5	64.3	63.2	61.9	60.8	59.7	58.4	56.9	54.1	50.0				43.3
					74.7	73.3	72.1	70.6	69.4	68.1	66.6	65.0	61.7	57.0	49.4				
	TAP 2 (MH)	AHB60 + R75-LSi(e)	2.5	NET HEATING CAPACITY (MBH)	120	1148	1128	1103	1072	1045	1012	984	955	937	908	690	TBD See Note 6.	TBD See Note 6.	TBD See Note 6.
					130	38.0	37.4	36.6	35.5	34.6	33.5	32.6	31.7	31.1	30.1	22.9			
					140	44.8	44.0	43.0	41.8	40.8	39.5	38.4	37.3	36.6	35.4	26.9			
					150	53.0	52.1	50.9	49.5	48.2	46.7	45.4	44.1	43.2	41.9	31.8			
					160	60.5	59.4	58.1	56.5	55.1	53.3	51.9	50.3	49.4	47.9	36.4			
					68.9	67.7	66.2	64.3	62.7	60.7	59.1	57.3	56.2	54.5	41.4				
TAP 4 (ML)	AHB60 + R75-LSi(e)	2.0	NET HEATING CAPACITY (MBH)	120	971	942	911	880	847	817	784	751	715	680	642	TBD See Note 6.	TBD See Note 6.	TBD See Note 6.	
				130	35.5	34.5	33.3	32.2	31.0	29.9	28.7	27.5	26.2	24.9	23.5				
				140	42.6	41.3	40.0	38.6	37.1	35.8	34.4	32.9	31.4	29.8	28.2				
				150	49.1	47.7	46.1	44.5	42.9	41.3	39.7	38.0	36.2	34.4	32.5				
				160	56.9	55.2	53.4	51.6	49.7	47.9	46.0	44.0	41.9	39.9	37.6				
				63.9	62.0	60.0	57.9	55.8	53.8	51.6	49.5	47.1	44.8	42.3					
TAP 5 (L)	AHB60 + R75-LSi(e)	1.5	NET HEATING CAPACITY (MBH)	120	844	810	777	734	698	665	626	581	533	504	466	TBD See Note 6.	TBD See Note 6.	TBD See Note 6.	
				130	33.0	31.7	30.4	28.7	27.3	26.0	24.5	22.7	20.9	19.7	18.2				
				140	39.0	37.5	35.9	34.0	32.3	30.8	29.0	26.9	24.7	23.3	21.6				
				150	47.3	45.4	43.5	41.1	39.1	37.3	35.1	32.6	29.9	28.2	26.1				
				160	54.3	52.1	50.0	47.2	44.9	42.8	40.3	37.4	34.3	32.4	30.0				
				60.4	58.0	55.6	52.6	50.0	47.6	44.8	41.6	38.2	36.1	33.4					

NOTES:
 1. EWT - Entering Water Temperature (F).
 2. CFM - Airflow in (Cubic Feet per Minute).
 3. Legs - 3 inch diameter flexible ducts to diffusers.
 4. 1 MBH = 1000 BTU/H.
 5. Shaded box represents rating point; refer to wiring diagram for factory set speed taps.
 6. Number of 3" diameter legs specified in table above is for rating point only (i.e. at External Static Pressure of 0.5 in. w.c. and speed TAP3, TAP1, TAP2, TAP2 for AHB45, AHB60, AHB75, AHB90 respectively). Final leg count is to be determined by the installing contractor and is to be based on the following formula:
 NUMBER OF LEGS = TOTAL AVAILABLE CFM (AT THE SPECIFIC ESP) / DESIRED CFM per LEG (40, 50, or 60 CFM)
 Example: Given the design point for AHB045 of 0.8 ESP, Low fan speed (Tap5), From table 5.0, available CFM is 569 and the desired CFM per leg is 50 CFM. Therefore, Number of Legs = 569/50 = 11.38 rounded down to 11.

TABLE 5.13: AIR DELIVERY AND PERFORMANCE DATA (BOTTOM OR SIDE RETURN w/ FACTORY SUPPLIED FILTER)

UNIT SIZE	ECM SPEED TAP	SUPPORTS COOLING CAP. RANGE (TONS)	EWT (°F)	NOMINAL HEATING CAPACITY	External Static Pressure (ESP) in. w.C.										Minimum Legs @ 60 CFM/Leg	Optimal Legs @ 50 CFM/Leg	Maximum legs @ 40 CFM/Leg	
					AIRFLOW (CFM)													
					0	0.1	0.2	0.3	0.4	0.5	0.6	0.7	0.8	0.9				1.0
37AHB06012KA5 + REU-VB2735FFUD(WD)-US	TAP 1 (H)	3.0	120	NET HEATING CAPACITY (MBH)	1343	1318	1296	1270	1248	1225	1197	1168	1109	1025	889	20	24	30
					39.7	38.9	38.3	37.5	36.9	36.2	35.4	34.5	32.8	30.3	26.3			
					48.3	47.4	46.6	45.7	44.9	44.0	43.0	42.0	39.9	36.8	32.0			
					55.5	54.5	53.6	52.5	51.6	50.6	49.5	48.3	45.8	42.4	36.7			
					63.7	62.5	61.5	60.3	59.2	58.1	56.8	55.4	52.6	48.6	42.2			
					73.3	72.0	70.8	69.3	68.1	66.9	65.4	63.8	60.6	56.0	48.5			
	TAP 2 (MH)	2.5	120	NET HEATING CAPACITY (MBH)	1148	1128	1103	1072	1045	1012	984	955	937	908	690	TBD See Note 6.	TBD See Note 6.	TBD See Note 6.
					38.6	38.0	37.1	36.1	35.2	34.1	33.1	32.1	31.5	30.6	23.2			
					45.6	44.8	43.8	42.6	41.5	40.2	39.1	37.9	37.2	36.1	27.4			
					54.0	53.1	51.9	50.5	49.2	47.6	46.3	44.9	44.1	42.7	32.5			
					61.9	60.9	59.5	57.8	56.4	54.6	53.1	51.5	50.6	49.0	37.2			
					67.9	66.8	65.3	63.4	61.8	59.9	58.2	56.5	55.5	53.7	40.8			
TAP 4 (ML)	2.0	120	NET HEATING CAPACITY (MBH)	971	942	911	880	847	817	784	751	715	680	642	TBD See Note 6.	TBD See Note 6.	TBD See Note 6.	
				35.6	34.5	33.4	32.2	31.0	29.9	28.7	27.5	26.2	24.9	23.5				
				42.3	41.0	39.7	38.3	36.9	35.6	34.1	32.7	31.1	29.6	28.0				
				48.9	47.4	45.8	44.3	42.6	41.1	39.4	37.8	36.0	34.2	32.3				
				56.6	54.9	53.1	51.3	49.4	47.6	45.7	43.8	41.7	39.7	37.4				
				63.4	61.5	59.5	57.5	55.3	53.4	51.2	49.0	46.7	44.4	41.9				
TAP 5 (L)	1.5	120	NET HEATING CAPACITY (MBH)	844	810	777	734	698	665	626	581	533	504	466	TBD See Note 6.	TBD See Note 6.	TBD See Note 6.	
				34.4	33.0	31.7	29.9	28.5	27.1	25.5	23.7	21.7	20.5	19.0				
				39.9	38.2	36.7	34.7	33.0	31.4	29.6	27.4	25.2	23.8	22.0				
				46.2	44.4	42.6	40.2	38.2	36.4	34.3	31.8	29.2	27.6	25.5				
				54.2	52.0	49.9	47.2	44.8	42.7	40.2	37.3	34.2	32.4	29.9				
				59.7	57.3	55.0	51.9	49.4	47.0	44.3	41.1	37.7	35.7	33.0				

Number of 3" Diameter Branch Legs applicable to High Velocity Systems Only. Used only if methods other than Table 3 is used to determine duct sizes.

6. Number of 3" diameter legs specified in table above is for rating point only (i.e. at External Static Pressure of 0.5 in. w.c. and speed TAP3, TAP1, TAP2, TAP2 for AHB45, AHB60, AHB75, AHB90 respectively). Final leg count is to be determined by the installing contractor and is to be based on the following formula:
 NUMBER OF LEGS = TOTAL AVAILABLE CFM (AT THE SPECIFIC ESP) / DESIRED CFM per LEG (40, 50, or 60 CFM)
 Example: Given the design point for AHB045 of 0.8 ESP, Low fan speed (Tap5), From table 5.0, available CFM is 569 and the desired CFM per leg is 50 CFM. Therefore, Number of Legs = 569/50 = 11.38 rounded down to 11.

NOTES:
 1. EWT - Entering Water Temperature (F).
 2. CFM - Airflow in (Cubic Feet per Minute).
 3. Legs - 3 inch diameter flexible ducts to diffusers.
 4. 1 MBH = 1000 BTU/H.
 5. Shaded box represents rating point; refer to wiring diagram for factory set speed taps.

TABLE 5.14: AIR DELIVERY AND PERFORMANCE DATA (BOTTOM OR SIDE RETURN w/ FACTORY SUPPLIED FILTER)

UNIT SIZE	ECM SPEED TAP	SUPPORTS COOLING CAP. RANGE (TONS)	EWT (°F)	NOMINAL HEATING CAPACITY	External Static Pressure (ESP) in. W.C.										Minimum Legs @ 60 CFM/Leg	Optimal Legs @ 50 CFM/Leg	Maximum legs @ 40 CFM/Leg		
					AIRFLOW (CFM)														
					0	0.1	0.2	0.3	0.4	0.5	0.6	0.7	0.8	0.9				1.0	
37AHB07514KA5 + REU-VB2528FFUD(WD)-US	TAP 1 (H)	4.0	AHB75 + R75-LSi(e)	NET HEATING CAPACITY (MBH)	120	1700	1666	1635	1604	1576	1543	1518	1492	1465	1430	1402	TBD See Note 6.	TBD See Note 6.	TBD See Note 6.
					130	50.3	49.3	48.4	47.5	46.6	45.7	44.9	44.1	43.3	42.3	41.5			
					140	61.9	60.7	59.5	58.4	57.4	56.2	55.3	54.3	53.4	52.1	51.1			
					150	71.7	70.3	69.0	67.7	66.5	65.1	64.0	62.9	61.8	60.3	59.1			
					160	82.2	80.5	79.0	77.5	76.2	74.6	73.4	72.1	70.8	69.1	67.8			
						92.1	90.2	88.6	86.9	85.4	83.6	82.2	80.8	79.3	77.5	75.9			
	TAP 2 (MH)	3.5	AHB75 + R75-LSi(e)	NET HEATING CAPACITY (MBH)	120	1561	1524	1490	1456	1428	1396	1364	1330	1297	1265	1224	23	28	35
					130	48.8	47.7	46.6	45.6	44.7	43.7	42.7	41.6	40.6	39.6	38.3			
					140	59.1	57.7	56.4	55.2	54.1	52.9	51.7	50.4	49.2	47.9	46.4			
					150	68.8	67.2	65.7	64.2	63.0	61.6	60.2	58.7	57.2	55.8	54.0			
					160	78.7	76.8	75.1	73.4	72.0	70.4	68.8	67.0	65.2	63.8	61.7			
						88.3	86.2	84.2	82.3	80.7	78.9	77.1	75.2	73.5	71.5	69.2			
	TAP 3 (ML)	3.0	AHB75 + R75-LSi(e)	NET HEATING CAPACITY (MBH)	120	1391	1350	1320	1281	1245	1209	1170	1131	1090	1064	1031	TBD See Note 6.	TBD See Note 6.	TBD See Note 6.
					130	47.9	46.5	45.5	44.1	42.9	41.6	40.3	39.0	37.5	36.6	35.5			
					140	58.2	56.5	55.2	53.6	52.1	50.6	49.0	47.3	45.6	44.5	43.1			
					150	67.5	65.5	64.1	62.2	60.4	58.7	56.8	54.9	52.9	51.6	50.0			
160					77.5	75.3	73.6	71.4	69.4	67.4	65.2	63.1	60.8	59.3	57.5				
					86.8	84.2	82.3	79.9	77.6	75.4	73.0	70.5	68.0	66.4	64.3				
TAP 4 (L)	2.5	AHB75 + R75-LSi(e)	NET HEATING CAPACITY (MBH)	120	1222	1174	1140	1100	1063	1014	979	937	887	829	777	TBD See Note 6.	TBD See Note 6.	TBD See Note 6.	
				130	45.9	44.1	42.8	41.3	39.9	38.1	36.8	35.2	33.3	31.1	29.2				
				140	55.7	53.5	52.0	50.2	48.5	46.2	44.6	42.7	40.4	37.8	35.4				
				150	64.1	61.6	59.8	57.7	55.7	53.2	51.3	49.1	46.5	43.5	40.7				
				160	72.6	69.7	67.7	65.3	63.1	60.2	58.1	55.6	52.7	49.2	46.1				
					81.5	78.3	76.1	73.4	70.9	67.7	65.3	62.5	59.2	55.3	51.8				

NOTES:
 1. EWT - Entering Water Temperature (F).
 2. CFM - Airflow in (Cubic Feet per Minute).
 3. Legs - 3 inch diameter flexible ducts to diffusers.
 4. 1 MBH = 1000 BTU/H.
 5. Shaded box represents rating point; refer to wiring diagram for factory set speed taps.
 6. Number of 3" diameter legs specified in table above is for rating point only (i.e. at External Static Pressure of 0.5 in. w.c. and speed TAP3, TAP1, TAP2, TAP2 for AHB45, AHB60, AHB75, AHB90 respectively). Final leg count is to be determined by the installing contractor and is to be based on the following formula:
 NUMBER OF LEGS = TOTAL AVAILABLE CFM (AT THE SPECIFIC ESP) / DESIRED CFM per LEG (40, 50, or 60 CFM)
 Example: Given the design point for AHB045 of 0.8 ESP, Low fan speed (Tap5), From table 5.0, available CFM is 569 and the desired CFM per leg is 50 CFM. Therefore, Number of Legs = 569/50 = 11.38 rounded down to 11.

TABLE 5.15: AIR DELIVERY AND PERFORMANCE DATA (BOTTOM OR SIDE RETURN w/ FACTORY SUPPLIED FILTER)

UNIT SIZE	ECM SPEED TAP	SUPPORTS COOLING CAP. RANGE (TONS)	EWT (°F)	NOMINAL HEATING CAPACITY	External Static Pressure (ESP) in. W.C.										Minimum Legs @ 60 CFM/Leg	Optimal Legs @ 50 CFM/Leg	Maximum legs @ 40 CFM/Leg			
					AIRFLOW (CFM)															
					0	0.1	0.2	0.3	0.4	0.5	0.6	0.7	0.8	0.9				1.0		
37AHB07514KAS + REU-VB2735FFUD(WD)-US	TAP 1 (H)	4.0	AHB75 + R94LSi(e)	NET HEATING CAPACITY (MBH)	120	1700	1666	1635	1604	1576	1543	1518	1492	1465	1430	1402	TBD See Note 6.	TBD See Note 6.		
					130	50.3	49.3	48.4	47.4	46.6	45.6	44.9	44.1	43.3	42.3	41.5				
					140	60.1	58.9	57.8	56.7	55.7	54.5	53.6	52.7	51.8	50.5	49.5				
					150	69.1	67.7	66.4	65.2	64.0	62.7	61.7	60.6	59.5	58.1	56.9				
					160	80.2	78.6	77.2	75.7	74.4	72.8	71.6	70.4	69.1	67.5	66.2				
						89.8	88.0	86.4	84.7	83.3	81.5	80.2	78.8	77.4	75.5	74.1				
	TAP 2 (MH)	3.5	AHB75 + R94LSi(e)	NET HEATING CAPACITY (MBH)	120	1561	1524	1490	1456	1428	1396	1364	1330	1299	1265	1224	23	28	35	
					130	49.1	48.0	46.9	45.8	45.0	44.0	42.9	41.9	41.9	38.7	39.8				38.5
					140	59.1	57.7	56.4	55.1	54.1	52.9	51.6	50.4	49.6	46.6	47.9				46.3
					150	68.9	67.2	65.7	64.2	63.0	61.6	60.2	58.7	54.3	55.8	54.0				
					160	79.4	77.5	75.8	74.1	72.6	71.0	69.4	67.6	62.6	64.3	62.3				
						88.6	86.5	84.6	82.7	81.1	79.3	77.5	75.5	69.9	71.8	69.5				
TAP 3 (ML)	3.0	AHB75 + R94LSi(e)	NET HEATING CAPACITY (MBH)	120	1391	1350	1320	1281	1245	1209	1170	1131	1090	1064	1031	TBD See Note 6.	TBD See Note 6.			
				130	45.6	44.3	43.3	42.0	40.8	39.7	38.4	37.1	35.7	34.9	33.8					
				140	54.9	53.3	52.1	50.6	49.2	47.8	46.2	44.7	43.1	42.0	40.7					
				150	66.0	64.1	62.7	60.8	59.1	57.4	55.5	53.7	51.7	50.5	48.9					
				160	75.2	73.0	71.4	69.3	67.3	65.4	63.3	61.1	58.9	57.5	55.7					
					85.1	82.6	80.8	78.4	76.2	74.0	71.6	69.2	66.7	65.1	63.1					
TAP 4 (L)	2.5	AHB75 + R94LSi(e)	NET HEATING CAPACITY (MBH)	120	1222	1174	1140	1100	1063	1014	979	937	887	829	777	TBD See Note 6.	TBD See Note 6.			
				130	45.0	43.2	42.0	40.5	39.1	37.3	36.0	34.5	32.6	30.5	28.6					
				140	53.4	51.3	49.8	48.0	46.4	44.3	42.7	40.9	38.7	36.2	33.9					
				150	62.4	59.9	58.2	56.1	54.3	51.8	50.0	47.8	45.3	42.3	39.7					
				160	71.7	68.9	66.9	64.6	62.4	59.5	57.5	55.0	52.1	48.7	45.6					
					80.3	77.2	75.0	72.3	69.9	66.7	64.4	61.6	58.3	54.5	51.1					

NOTES:
 1. EWT - Entering Water Temperature (F).
 2. CFM - Airflow in (Cubic Feet per Minute).
 3. Legs - 3 inch diameter flexible ducts to diffusers.
 4. 1 MBH = 1000 BTU/H.
 5. Shaded box represents rating point; refer to wiring diagram for factory set speed taps.
 6. Number of 3" diameter legs specified in table above is for rating point only (i.e. at External Static Pressure of 0.5 in. w.c. and speed TAP3, TAP1, TAP2, TAP2 for AHB45, AHB60, AHB75, AHB90 respectively). Final leg count is to be determined by the installing contractor and is to be based on the following formula:
 NUMBER OF LEGS = TOTAL AVAILABLE CFM (AT THE SPECIFIC ESP) / DESIRED CFM per LEG (40, 50, or 60 CFM)
 Example: Given the design point for AHB045 of 0.8 ESP, Low fan speed (Tap5), From table 5.0, available CFM is 569 and the desired CFM per leg is 50 CFM. Therefore, Number of Legs = 569/50 = 11.38 rounded down to 11.

TABLE 5.16: AIR DELIVERY AND PERFORMANCE DATA (BOTTOM OR SIDE RETURN w/ FACTORY SUPPLIED FILTER)

UNIT SIZE	ECM SPEED TAP	SUPPORTS COOLING CAP. RANGE (TONS)	EWT (°F)	NOMINAL HEATING CAPACITY	External Static Pressure (ESP) in. W.C.										Minimum Legs @ 60 CFM/Leg	Optimal Legs @ 50 CFM/Leg	Maximum legs @ 40 CFM/Leg		
					AIRFLOW (CFM)														
					0	0.1	0.2	0.3	0.4	0.5	0.6	0.7	0.8	0.9				1.0	
37AHB09016KA5 + REU-VB2528FFUD(WD)-US	TAP 1 (H)	5.0	AHB90 + R75-LSi(e)	NET HEATING CAPACITY (MBH)	120	1934	1889	1857	1818	1784	1750	1715	1680	1568	1491	1377	TBD See Note 6.	TBD See Note 6.	
					130	63.5	62.0	61.0	59.7	58.6	57.5	56.3	55.2	51.5	49.0	45.2			
					140	74.4	72.6	71.4	69.9	68.6	67.3	65.9	64.6	60.3	57.3	52.9			
					150	87.5	85.5	84.0	82.3	80.7	79.2	77.6	76.0	70.9	67.5	62.3			
					160	99.5	97.1	95.5	93.5	91.7	90.0	88.2	86.4	80.6	76.7	70.8			
						110.4	107.9	106.0	103.8	101.9	99.9	97.9	95.9	89.5	85.1	78.6			
	TAP 2 (MH)	4.0	AHB90 + R75-LSi(e)	NET HEATING CAPACITY (MBH)	120	1777	1732	1694	1650	1630	1592	1553	1517	1464	1441	1361	27	32	40
					130	61.2	59.7	58.4	56.9	56.2	54.9	53.5	52.3	50.5	49.7	46.9			
					140	71.3	69.5	68.0	66.2	65.4	63.9	62.3	60.9	58.7	57.8	54.6			
					150	85.1	82.9	81.1	79.0	78.1	76.2	74.4	72.6	70.1	69.0	65.2			
					160	96.6	94.2	92.1	89.7	88.6	86.6	84.5	82.5	79.6	78.4	74.0			
						107.5	104.8	102.5	99.8	98.6	96.3	94.0	91.8	88.6	87.2	82.4			
TAP 3 (ML)	3.5	AHB90 + R75-LSi(e)	NET HEATING CAPACITY (MBH)	120	1573	1530	1490	1448	1417	1372	1327	1293	1253	1221	1175	TBD See Note 6.	TBD See Note 6.		
				130	58.1	56.5	55.0	53.5	52.3	50.7	49.0	47.7	46.3	45.1	43.4				
				140	69.0	67.1	65.4	63.5	62.2	60.2	58.2	56.7	55.0	53.6	51.6				
				150	79.9	77.7	75.7	73.5	72.0	69.7	67.4	65.7	63.6	62.0	59.7				
				160	92.2	89.7	87.3	84.8	83.0	80.4	77.8	75.8	73.4	71.5	68.9				
					102.7	99.8	97.2	94.5	92.5	89.5	86.6	84.4	81.8	79.7	76.7				
TAP 4 (L)	3.0	AHB90 + R75-LSi(e)	NET HEATING CAPACITY (MBH)	120	1400	1351	1317	1275	1225	1183	1134	1095	1053	1011	951	TBD See Note 6.	TBD See Note 6.		
				130	54.4	52.5	51.2	49.5	47.6	46.0	44.1	42.5	40.9	39.3	37.0				
				140	66.2	63.8	62.2	60.2	57.9	55.9	53.6	51.7	49.8	47.8	44.9				
				150	75.8	73.2	71.3	69.1	66.4	64.1	61.4	59.3	57.0	54.8	51.5				
				160	88.0	85.0	82.8	80.2	77.0	74.4	71.3	68.9	66.2	63.6	59.8				
					97.3	93.9	91.5	88.6	85.1	82.2	78.8	76.1	73.2	70.2	66.1				

Number of 3" Diameter Branch Legs applicable to High Velocity Systems Only. Used only if methods other than Table 3 is used to determine duct sizes.

6. Number of 3" diameter legs specified in table above is for rating point only (i.e. at External Static Pressure of 0.5 in. w.c. and speed TAP3, TAP1, TAP2, TAP2 for AHB45, AHB60, AHB75, AHB90 respectively). Final leg count is to be determined by the installing contractor and is to be based on the following formula:
 NUMBER OF LEGS = TOTAL AVAILABLE CFM (AT THE SPECIFIC ESP) / DESIRED CFM per LEG (40, 50, or 60 CFM)
 Example: Given the design point for AHB045 of 0.8 ESP, Low fan speed (Tap5), From table 5.0, available CFM is 569 and the desired CFM per leg is 50 CFM. Therefore, Number of Legs = 569/50 = 11.38 rounded down to 11.

7. Shaded box represents rating point; refer to wiring diagram for factory set speed taps.

- 1. EWT - Entering Water Temperature (F).
- 2. CFM - Airflow in (Cubic Feet per Minute).
- 3. Legs - 3 inch diameter flexible ducts to diffusers.
- 4. 1 MBH = 1000 BTU/H.
- 5. Shaded box represents rating point; refer to wiring diagram for factory set speed taps.

TABLE 5.17: AIR DELIVERY AND PERFORMANCE DATA (BOTTOM OR SIDE RETURN w/ FACTORY SUPPLIED FILTER)

UNIT SIZE	ECM SPEED TAP	SUPPORTS COOLING CAP. RANGE (TONS)	EWT (°F)	NOMINAL HEATING CAPACITY	External Static Pressure (ESP) in. W.C.										Minimum Legs @ 60 CFM/Leg	Optimal Legs @ 50 CFM/Leg	Maximum legs @ 40 CFM/Leg	
					AIRFLOW (CFM)													
					0	0.1	0.2	0.3	0.4	0.5	0.6	0.7	0.8	0.9				1.0
37AHB09016KA5 + REU-VB2735FFUD(WD)-US	AHE90 + R94LSi(e)	5.0	TAP 1 (H)	NET HEATING CAPACITY (MBH)	120	1934	1889	1857	1818	1784	1750	1715	1680	1568	1491	1377	TBD See Note 6.	TBD See Note 6.
					130	60.7	59.3	58.3	57.1	56.0	55.0	53.9	52.8	49.2	46.8	43.2		
					140	72.1	70.4	69.2	67.8	66.5	65.3	64.0	62.6	58.5	55.6	51.3		
					150	83.7	81.8	80.4	78.7	77.3	75.8	74.3	72.7	67.9	64.6	59.6		
					160	95.2	93.0	91.4	89.5	87.8	86.2	84.4	82.7	77.2	73.4	67.8		
						106.9	104.4	102.6	100.5	98.6	96.7	94.8	92.8	86.7	82.4	76.1		
	AHE90 + R94LSi(e)	4.0	TAP 2 (MH)	NET HEATING CAPACITY (MBH)	120	1777	1732	1694	1650	1630	1592	1553	1517	1464	1441	1361	TBD See Note 6.	TBD See Note 6.
					130	59.1	57.6	56.4	54.9	54.2	53.0	51.7	50.5	48.7	47.9	45.3		
					140	69.5	67.8	66.3	64.5	63.8	62.3	60.8	59.3	57.3	56.4	53.2		
					150	81.1	79.1	77.4	75.3	74.4	72.7	70.9	69.3	66.9	65.8	62.1		
					160	92.5	90.2	88.2	85.9	84.9	82.9	80.9	79.0	76.2	75.0	70.9		
						103.5	100.9	98.7	96.1	95.0	92.8	90.5	88.4	85.3	84.0	79.3		
AHE90 + R94LSi(e)	3.5	TAP 3 (ML)	NET HEATING CAPACITY (MBH)	120	1573	1530	1490	1448	1417	1372	1327	1293	1253	1221	1175	TBD See Note 6.	TBD See Note 6.	
				130	55.8	54.3	52.9	51.4	50.3	48.7	47.1	45.9	44.4	43.3	41.7			
				140	67.4	65.5	63.8	62.0	60.7	58.8	56.8	55.4	53.7	52.3	50.3			
				150	77.5	75.4	73.4	71.3	69.8	67.6	65.4	63.7	61.7	60.1	57.9			
				160	87.7	85.3	83.1	80.7	79.0	76.5	74.0	72.1	69.9	68.1	65.5			
					99.1	96.3	93.8	91.2	89.2	86.4	83.6	81.4	78.9	76.9	74.0			
AHE90 + R94LSi(e)	3.0	TAP 4 (L)	NET HEATING CAPACITY (MBH)	120	1400	1351	1317	1275	1225	1183	1134	1095	1053	1011	951	TBD See Note 6.	TBD See Note 6.	
				130	54.5	52.6	51.3	49.7	47.7	46.1	44.2	42.6	41.0	39.4	37.0			
				140	63.2	61.0	59.5	57.6	55.3	53.4	51.2	49.4	47.6	45.7	42.9			
				150	74.1	71.5	69.7	67.5	64.8	62.6	60.0	57.9	55.7	53.5	50.3			
				160	85.0	82.0	79.9	77.4	74.4	71.8	68.8	66.5	63.9	61.4	57.7			
					94.4	91.1	88.8	86.0	82.6	79.8	76.5	73.8	71.0	68.2	64.1			

NOTES:
 1. EWT - Entering Water Temperature (F).
 2. CFM - Airflow in (Cubic Feet per Minute).
 3. Legs - 3 inch diameter flexible ducts to diffusers.
 4. 1 MBH = 1000 BTU/H.
 5. Shaded box represents rating point; refer to wiring diagram for factory set speed taps.
 6. Number of 3" diameter legs specified in table above is for rating point only (i.e. at External Static Pressure of 0.5 in. w.c. and speed TAP3, TAP1, TAP2 for AHB45, AHB60, AHB75, AHB90 respectively). Final leg count is to be determined by the installing contractor and is to be based on the following formula:
 NUMBER OF LEGS = TOTAL AVAILABLE CFM (AT THE SPECIFIC ESP) / DESIRED CFM per LEG (40, 50, or 60 CFM)
 Example: Given the design point for AHB045 of 0.8 ESP, Low fan speed (Tap5), From table 5.0, available CFM is 569 and the desired CFM per leg is 50 CFM. Therefore, Number of Legs = 569/50 = 11.38 rounded down to 11.

TABLE 5.18: AIR DELIVERY AND PERFORMANCE DATA (BOTTOM OR SIDE RETURN w/ FACTORY SUPPLIED FILTER)

UNIT SIZE	ECM SPEED TAP	SUPPORTS COOLING CAP. RANGE (TONS)	EWT (°F)	NOMINAL HEATING CAPACITY	External Static Pressure (ESP) in. W.C.										Minimum Legs @ 60 CFM/Leg	Optimal Legs @ 50 CFM/Leg	Maximum Legs @ 40 CFM/Leg		
					AIRFLOW (CFM)														
					0	0.1	0.2	0.3	0.4	0.5	0.6	0.7	0.8	0.9				1.0	
37AHB04508KA5 + REU-VA3237FFU(W)-US/ASME	TAP 3 (H)	2.0	120	NET HEATING CAPACITY (MBH)	AIRFLOW (CFM)										13	16	20		
					948	921	891	868	841	819	795	772	701	596				567	
					29.3	29.3	29.3	29.3	29.3	29.3	29.3	29.3	29.3	29.3				29.3	29.3
					39.4	38.3	37.1	36.1	35	34.1	33.1	32.1	29.2	24.8				23.6	
					47.4	46	44.5	43.4	42	40.9	39.7	38.6	35.0	29.8				28.3	
					54.7	53.1	51.4	50.1	48.5	47.3	45.9	44.5	40.4	34.4				32.7	
	63.3	61.5	59.5	57.9	56.1	54.7	53.1	51.5	46.8	39.8	37.8								
	TAP 4 (M)	2.0	120	NET HEATING CAPACITY (MBH)	AIRFLOW (CFM)										TBD See Note 6.	TBD See Note 6.	TBD See Note 6.		
					921	891	864	836	812	788	768	742	699	594				559	
					34.6	33.4	32.4	31.4	30.5	29.6	28.8	27.9	26.2	22.3				21.0	
					40.4	39.1	37.9	36.7	35.6	34.6	33.7	32.6	30.7	26.1				24.5	
					47.7	46.1	44.7	43.3	42.0	40.8	39.8	38.4	36.2	30.8				28.9	
54.0					52.2	50.7	49.0	47.6	46.2	45.0	43.5	41.0	34.8	32.8					
62.8	60.8	58.9	57.0	55.4	53.7	52.4	50.6	47.7	40.5	38.1									
TAP 5 (L)	1.5	120	NET HEATING CAPACITY (MBH)	AIRFLOW (CFM)										TBD See Note 6.	TBD See Note 6.	TBD See Note 6.			
				803	768	740	712	682	652	628	596	541	510						
				32.3	30.9	29.8	28.6	27.4	26.2	25.3	24.0	22.9	21.8				20.5		
				38.5	36.8	35.4	34.1	32.7	31.2	30.1	28.5	27.2	25.9				24.4		
				45.4	43.4	41.8	40.2	38.5	36.8	35.5	33.7	32.2	30.6				28.8		
				53.5	51.2	49.3	47.4	45.4	43.4	41.8	39.7	37.9	36.0				34.0		
60.8	58.1	56.0	53.9	51.6	49.4	47.5	45.1	43.1	40.9	38.6									

NOTES:

- EWT - Entering Water Temperature (F).
- CFM - Airflow in (Cubic Feet per Minute)
- Legs - 3 inch diameter flexible ducts to diffusers.
- 1 MBH = 1000 BTU/H.
- Shaded box represents rating point; refer to wiring diagram for factory set speed taps.
- Number of 3" diameter legs specified in table above is for rating point only (i.e. at External Static Pressure of 0.5 in. w.c. and speed TAP3, TAP1, TAP2, TAP2 for AHB45, AHB60, AHB75, AHB90 respectively). Final leg count is to be determined by the installing contractor and is to be based on the following formula:
 NUMBER OF LEGS = TOTAL AVAILABLE CFM (AT THE SPECIFIC ESP) / DESIRED CFM per LEG (40, 50, or 60 CFM)
 Example: Given the design point for AHB045 of 0.8 ESP, Low fan speed (Tap5). From table 5.0, available CFM is 569 and the desired CFM per leg is 50 CFM. Therefore, Number of Legs = 569/50 = 11.38 rounded down to 11.

TABLE 5.19: AIR DELIVERY AND PERFORMANCE DATA (BOTTOM OR SIDE RETURN w/ FACTORY SUPPLIED FILTER)

UNIT SIZE	ECM SPEED TAP	SUPPORTS COOLING CAP. RANGE (TONS)	EWT (°F)	NOMINAL HEATING CAPACITY	External Static Pressure (ESP) in. W.C.										Minimum Legs @ 60 CFM/Leg	Optimal Legs @ 50 CFM/Leg	Maximum Legs @ 40 CFM/Leg	
					AIRFLOW (CFM)													
					0	0.1	0.2	0.3	0.4	0.5	0.6	0.7	0.8	0.9				1.0
37AHB04508KA5 + REU-VA2024WD(A)-UC	TAP 3 (H)	2.0	120	NET HEATING CAPACITY (MBH)	AHB45 + R63LSe2										13	16	20	
					948	921	891	868	841	819	795	772	701	596				567
					34.4	33.5	32.4	31.5	30.6	29.8	28.9	28.0	25.5	21.7				20.6
					40.1	38.9	37.7	36.7	35.5	34.6	33.6	32.6	29.6	25.2				24.0
					46.6	45.2	43.8	42.6	41.3	40.2	39.1	37.9	34.4	29.3				27.9
					54.5	53	51.3	49.9	48.4	47.1	45.7	44.4	40.3	34.3				32.6
	59.6	57.9	56	54.6	52.9	51.5	50.0	48.5	44.1	37.5	35.6							
	TAP 4 (M)	2.0	120	NET HEATING CAPACITY (MBH)	AHB45 + R63LSe2										TBD See Note 6.	TBD See Note 6.	TBD See Note 6.	
					921	891	864	836	812	788	768	742	699	594				559
					33.7	32.6	31.6	30.6	29.7	28.8	28.1	27.1	25.6	21.7				20.4
					40.2	38.9	37.8	36.5	35.5	34.4	33.6	32.4	30.5	26.0				24.4
					46.6	45.1	43.7	42.3	41.1	39.9	38.8	37.5	35.4	30.0				28.3
54.2					52.4	50.8	49.2	47.8	46.4	45.2	43.7	41.1	34.9	32.9				
60.2	58.2	56.4	54.6	53.0	51.5	50.2	48.5	45.7	38.8	36.5								
TAP 5 (L)	1.5	120	NET HEATING CAPACITY (MBH)	AHB45 + R63LSe2										TBD See Note 6.	TBD See Note 6.	TBD See Note 6.		
				803	768	740	712	682	652	628	596	569	541				510	
				32.2	30.8	29.7	28.5	27.3	26.1	25.2	23.9	22.8	21.7				20.4	
				38.2	36.5	35.2	33.8	32.4	31.0	29.8	28.3	27.0	25.7				24.2	
				44.9	42.9	41.4	39.8	38.1	36.5	35.1	33.3	31.8	30.2				28.5	
				51.4	49.2	47.4	45.6	43.7	41.7	40.2	38.2	36.4	34.6				32.6	
57.4	54.9	52.9	50.9	48.8	46.6	44.9	42.6	40.7	38.7	36.5								

- NOTES:
1. EWT - Entering Water Temperature (F).
 2. CFM - Airflow in (Cubic Feet per Minute).
 3. Legs - 3 inch diameter flexible ducts to diffusers.
 4. 1 MBH = 1000 BTU/H.
 5. Shaded box represents rating point; refer to wiring diagram for factory set speed taps.
 6. Number of 3" diameter legs specified in table above is for rating point only (i.e. at External Static Pressure of 0.5 in. wc. and speed TAP3, TAP1, TAP2, TAP2 for AHB45, AHB60, AHB75, AHB90 respectively). Final leg count is to be determined by the installing contractor and is to be based on the following formula:

$$\text{NUMBER OF LEGS} = \frac{\text{TOTAL AVAILABLE CFM (AT THE SPECIFIC ESP)}}{\text{DESIRED CFM per LEG (40, 50, or 60 CFM)}}$$
 Example: Given the design point for AHB045 of 0.8 ESP, Low fan speed (Tap5). From table 5.0, available CFM is 569 and the desired CFM per leg is 50 CFM. Therefore, Number of Legs = 569/50 = 11.38 rounded down to 11.

TABLE 5.20: AIR DELIVERY AND PERFORMANCE DATA (BOTTOM OR SIDE RETURN w/ FACTORY SUPPLIED FILTER)

UNIT SIZE	ECM SPEED TAP	SUPPORTS COOLING CAP. RANGE (TONS)	EWT (°F)	NOMINAL HEATING CAPACITY	External Static Pressure (ESP) in. W.C.										Minimum Legs @ 60 CFM/Leg	Optimal Legs @ 50 CFM/Leg	Maximum Legs @ 40 CFM/Leg		
					AIRFLOW (CFM)														
					0	0.1	0.2	0.3	0.4	0.5	0.6	0.7	0.8	0.9				1.0	
37AHB04508KA5 + REU-VA2019FFUD	TAP 3 (H)	2.0	120	NET HEATING CAPACITY (MBH)	AHB45 + R50LSi										13	16	20		
					948	921	891	864	836	812	788	768	742	699				596	567
					35.5	34.5	33.3	32.5	31.5	30.7	29.8	28.9	26.2	22.3				21.2	
					42	40.8	39.4	38.4	37.2	36.3	35.2	34.2	31.0	26.4				25.1	
					48.6	47.2	45.7	44.5	43.1	42.0	40.8	39.6	35.9	30.6				29.1	
		55.4	53.8	52	50.7	49.1	47.8	46.4	45.1	40.9	34.8	33.1							
		61.3	59.6	57.6	56.1	54.4	53.0	51.4	49.9	45.3	38.5	36.7							
	TAP 4 (M)	2.0	120	NET HEATING CAPACITY (MBH)	AHB45 + R50LSi										TBD See Note 6.	TBD See Note 6.	TBD See Note 6.		
					921	891	864	836	812	788	768	742	699	594				559	
					34.1	33.0	32.0	31.0	30.1	29.2	28.4	27.5	25.9	22.0				20.7	
					40.7	39.4	38.2	37.0	35.9	34.9	34.0	32.8	30.9	26.3				24.7	
					47.3	45.8	44.4	42.9	41.7	40.5	39.5	38.1	35.9	30.5				28.7	
		55.0	53.2	51.6	49.9	48.5	47.1	45.9	44.3	41.7	35.5	33.4							
		61.1	59.1	57.3	55.4	53.8	52.3	50.9	49.2	46.4	39.4	37.1							
	TAP 5 (L)	1.5	120	NET HEATING CAPACITY (MBH)	AHB45 + R50LSi										TBD See Note 6.	TBD See Note 6.	TBD See Note 6.		
803					768	740	712	682	652	628	596	569	541	510					
32.6					31.1	30.0	28.9	27.7	26.4	25.5	24.2	23.1	21.9	20.7					
38.6					36.9	35.6	34.2	32.8	31.4	30.2	28.7	27.4	26.0	24.5					
45.6					43.6	42.0	40.4	38.7	37.0	35.7	33.8	32.3	30.7	29.0					
	52.1	49.9	48.0	46.2	44.3	42.3	40.8	38.7	36.9	35.1	33.1								
	58.1	55.6	53.5	51.5	49.3	47.2	45.4	43.1	41.2	39.1	36.9								

NOTES:

- EWT - Entering Water Temperature (F).
- CFM - Airflow in (Cubic Feet per Minute)
- Legs - 3 inch diameter flexible ducts to diffusers.
- 1 MBH = 1000 BTU/H.
- Shaded box represents rating point; refer to wiring diagram for factory set speed taps.
- Number of 3" diameter legs specified in table above is for rating point only (i.e. at External Static Pressure of 0.5 in. w.c. and speed TAP3, TAP1, TAP2, TAP2 for AHB45, AHB60, AHB75, AHB90 respectively). Final leg count is to be determined by the installing contractor and is to be based on the following formula:
 NUMBER OF LEGS = TOTAL AVAILABLE CFM (AT THE SPECIFIC ESP) / DESIRED CFM per LEG (40, 50, or 60 CFM)
 Example: Given the design point for AHB045 of 0.8 ESP, Low fan speed (Tap5). From table 5.0, available CFM is 569 and the desired CFM per leg is 50 CFM. Therefore, Number of Legs = 569/50 = 11.38 rounded down to 11.

TABLE 5.21: AIR DELIVERY AND PERFORMANCE DATA (BOTTOM OR SIDE RETURN w/ FACTORY SUPPLIED FILTER)

UNIT SIZE	ECM SPEED TAP	SUPPORTS COOLING CAP. RANGE (TONS)	EWT (°F)	NOMINAL HEATING CAPACITY	External Static Pressure (ESP) in. W.C.										Minimum Legs @ 60 CFM/Leg	Optimal Legs @ 50 CFM/Leg	Maximum Legs @ 40 CFM/Leg		
					0	0.1	0.2	0.3	0.4	0.5	0.6	0.7	0.8	0.9				1.0	
					AIRFLOW (CFM)														
37AHB04508KAS + REU-VAM1620W	TAP 3 (H)	2.0	AHB45 + V53e	NET HEATING CAPACITY (MBH)	120	948	921	891	868	841	819	795	772	701	596	567	13	16	20
					130	31.4	30.5	29.5	28.7	27.8	27.1	26.3	25.6	23.2	19.7	18.8			
					140	37.4	36.3	35.2	34.3	33.2	32.3	31.4	30.5	27.7	23.5	22.4			
					150	46	44.7	43.2	42.1	40.8	39.7	38.6	37.4	34.0	28.9	27.5			
					160	52.3	50.8	49.1	47.9	46.4	45.2	43.9	42.6	38.7	32.9	31.3			
						59.3	57.6	55.7	54.3	52.6	51.2	49.7	48.3	43.8	37.3	35.5			
	TAP 4 (M)	2.0	AHB45 + V53e	NET HEATING CAPACITY (MBH)	120	921	891	864	836	812	788	768	742	699	594	559	Minimum Legs @ 60 CFM/Leg	Optimal Legs @ 50 CFM/Leg	Maximum Legs @ 40 CFM/Leg
					130	31.8	30.8	29.9	28.9	28.1	27.2	26.5	25.6	24.2	20.5	19.3			
					140	37.2	36.0	34.9	33.8	32.8	31.8	31.0	30.0	28.2	24.0	22.6			
					150	45.8	44.3	42.9	41.6	40.4	39.2	38.2	36.9	34.7	29.5	27.8			
					160	52.1	50.4	48.9	47.3	45.9	44.6	43.4	42.0	39.5	33.6	31.6			
						58.7	56.7	55.0	53.2	51.7	50.2	48.9	47.3	44.5	37.8	35.6			
	TAP 5 (L)	1.5	AHB45 + V53e	NET HEATING CAPACITY (MBH)	120	803	768	740	712	682	652	628	596	541	510	Minimum Legs @ 60 CFM/Leg	Optimal Legs @ 50 CFM/Leg	Maximum Legs @ 40 CFM/Leg	
					130	31.2	29.8	28.7	27.7	26.5	25.3	24.4	23.2	22.1	21.0				19.8
					140	35.3	33.8	32.6	31.3	30.0	28.7	27.6	26.2	25.0	23.8				22.5
150					41.1	39.3	37.8	36.4	34.9	33.3	32.1	30.5	29.1	27.7	26.1				
160					49.0	46.8	45.1	43.4	41.6	39.7	38.3	36.3	34.7	33.0	31.1				
					55.0	52.6	50.7	48.7	46.7	44.6	43.0	40.8	38.9	37.0	34.9				

NOTES:

1. EWT - Entering Water Temperature (F).
2. CFM - Airflow in (Cubic Feet per Minute).
3. Legs - 3 inch diameter flexible ducts to diffusers.
4. 1 MBH = 1000 BTU/H.
5. Shaded box represents rating point; refer to wiring diagram for factory set speed taps.
6. Number of 3" diameter legs specified in table above is for rating point only (i.e. at External Static Pressure of 0.5 in. wc. and speed TAP3, TAP1, TAP2, TAP2 for AHB45, AHB60, AHB75, AHB90 respectively). Final leg count is to be determined by the installing contractor and is to be based on the following formula:

$$\text{NUMBER OF LEGS} = \frac{\text{TOTAL AVAILABLE CFM AT THE SPECIFIC ESP}}{\text{DESIRED CFM per LEG (40, 50, or 60 CFM)}}$$
 Example: Given the design point for AHB045 of 0.8 ESP, Low fan speed (Tap5). From table 5.0, available CFM is 569 and the desired CFM per leg is 50 CFM. Therefore, Number of Legs = $569/50 = 11.38$ rounded down to 11.

TABLE 5.22: AIR DELIVERY AND PERFORMANCE DATA (BOTTOM OR SIDE RETURN w/ FACTORY SUPPLIED FILTER)

UNIT SIZE	ECM SPEED TAP	SUPPORTS COOLING CAP. RANGE (TONS)	EWT (°F)	NOMINAL HEATING CAPACITY	External Static Pressure (ESP) in. W.C.										Minimum Legs @ 60 CFM/Leg	Optimal Legs @ 50 CFM/Leg	Maximum Legs @ 40 CFM/Leg	
					AIRFLOW (CFM)													
					0	0.1	0.2	0.3	0.4	0.5	0.6	0.7	0.8	0.9				1.0
37AHB06012KA5 + REU-VA3237FFU(W)-US/ASME	TAP 1 (H)	3.0	120	NET HEATING CAPACITY (MBH)	1343	1296	1270	1248	1225	1197	1168	1109	1025	889	20	24	30	
					43.0	42.2	41.5	40.6	39.9	39.2	38.3	37.4	35.5	32.8				28.4
					49.3	48.4	47.6	46.6	45.8	45.0	44.0	42.9	40.7	37.6				32.7
					57.0	56.0	55.0	53.9	53.0	52.0	50.8	49.6	47.1	43.5				37.8
					67.8	66.5	65.4	64.1	63.0	61.8	60.4	58.9	56.0	51.7				44.9
	75.4	74.0	72.8	71.3	70.1	68.8	67.2	65.6	62.3	57.6	49.9							
	TAP 2 (MH)	2.5	130	NET HEATING CAPACITY (MBH)	1148	1128	1103	1072	1045	1012	984	955	937	908	690	TBD See Note 6.	TBD See Note 6.	TBD See Note 6.
					40.8	40.1	39.2	38.1	37.2	36.0	35.0	34.0	33.3	32.3	24.5			
					46.9	46.1	45.0	43.8	42.7	41.3	40.2	39.0	38.3	37.1	28.2			
					54.4	53.4	52.2	50.8	49.5	47.9	46.6	45.2	44.4	43.0	32.7			
63.9					62.8	61.4	59.7	58.2	56.4	54.8	53.2	52.2	50.6	38.4				
71.8	70.6	69.0	67.1	65.4	63.3	61.6	59.8	58.6	56.8	43.2								
TAP 4 (ML)	2.0	140	NET HEATING CAPACITY (MBH)	971	942	911	880	847	817	784	751	715	680	642	TBD See Note 6.	TBD See Note 6.	TBD See Note 6.	
				38.4	37.2	36.0	34.8	33.5	32.3	31.0	29.7	28.2	26.9	25.4				
				45.2	43.9	42.4	41.0	39.5	38.1	36.5	35.0	33.3	31.7	29.9				
				52.0	50.4	48.7	47.1	45.3	43.7	41.9	40.2	38.3	36.4	34.4				
				60.1	58.3	56.4	54.5	52.5	50.6	48.6	46.5	44.3	42.1	39.8				
67.6	65.6	63.4	61.2	59.0	56.9	54.6	52.3	49.8	47.3	44.7								
TAP 5 (L)	1.5	150	NET HEATING CAPACITY (MBH)	844	810	777	734	698	665	626	581	533	504	466	TBD See Note 6.	TBD See Note 6.	TBD See Note 6.	
				36.2	34.8	33.4	31.5	30.0	28.6	26.9	24.9	22.9	21.6	20.0				
				46.9	45.0	43.1	40.8	38.8	36.9	34.8	32.3	29.6	28.0	25.9				
				49.5	47.5	45.6	43.1	41.0	39.0	36.7	34.1	31.3	29.6	27.3				
				56.6	54.3	52.1	49.2	46.8	44.6	42.0	39.0	35.7	33.8	31.2				
64.2	61.6	59.1	55.8	53.1	50.6	47.6	44.2	40.5	38.3	35.4								

NOTES:
 1. EWT - Entering Water Temperature (F).
 2. CFM - Airflow in (Cubic Feet per Minute).
 3. Legs - 3 inch diameter flexible ducts to diffusers.
 4. 1 MBH = 1000 BTU/H.
 5. Shaded box represents rating point; refer to wiring diagram for factory set speed taps.

6. Number of 3" diameter legs specified in table above is for rating point only (i.e. at External Static Pressure of 0.5 in. w.c. and speed TAP3, TAP1, TAP2 for AHB45, AHB60, AHB75, AHB90 respectively). Final leg count is to be determined by the installing contractor and is to be based on the following formula:
 NUMBER OF LEGS = TOTAL AVAILABLE CFM (AT THE SPECIFIC ESP) / DESIRED CFM per LEG (40, 50, or 60 CFM)
 Example: Given the design point for AHB045 of 0.8 ESP, Low fan speed (Tap5). From table 5.0, available CFM is 569 and the desired CFM per leg is 50 CFM. Therefore, Number of Legs = 569/50 = 11.38 rounded down to 11.

TABLE 5.23: AIR DELIVERY AND PERFORMANCE DATA (BOTTOM OR SIDE RETURN w/ FACTORY SUPPLIED FILTER)

UNIT SIZE	ECM SPEED TAP	SUPPORTS COOLING CAP. RANGE (TONS)	EWT (°F)	NOMINAL HEATING CAPACITY	External Static Pressure (ESP) in. W.C.										Minimum Legs @ 60 CFM/Leg	Optimal Legs @ 50 CFM/Leg	Maximum Legs @ 40 CFM/Leg	
					AIRFLOW (CFM)													
					0	0.1	0.2	0.3	0.4	0.5	0.6	0.7	0.8	0.9				1.0
37AHB06012KA5 + REU-VA2024WD(A)-UC	TAP 1 (H)	3.0	120	NET HEATING CAPACITY (MBH)	1343	1318	1296	1270	1248	1225	1197	1168	1109	1025	889	20	24	30
					41.5	40.7	40.0	39.2	38.5	37.8	37.0	36.1	34.2	31.6	27.4			
					49.6	48.6	47.8	46.9	46.1	45.2	44.2	43.1	40.9	37.8	32.8			
					57.8	56.7	55.8	54.6	53.7	52.7	51.5	50.2	47.7	44.1	38.2			
					65.9	64.7	63.6	62.4	61.3	60.1	58.8	57.3	54.5	50.3	43.6			
					73.9	72.5	71.3	69.9	68.7	67.4	65.9	64.3	61.0	56.4	48.9			
	TAP 2 (MH)	2.5	120	NET HEATING CAPACITY (MBH)	1148	1128	1103	1072	1045	1012	984	955	937	908	690	TBD See Note 6.	TBD See Note 6.	TBD See Note 6.
					38.9	38.2	37.4	36.3	35.4	34.3	33.3	32.3	31.7	30.8	23.4			
					46.4	45.6	44.6	43.3	42.2	40.9	39.8	38.6	37.9	36.7	27.9			
					54.3	53.4	52.2	50.7	49.4	47.9	46.6	45.2	44.3	43.0	32.6			
					63.0	61.9	60.5	58.8	57.3	55.5	54.0	52.4	51.4	49.8	37.9			
					70.5	69.3	67.8	65.9	64.2	62.2	60.4	58.7	57.6	55.8	42.4			
TAP 4 (ML)	2.0	120	NET HEATING CAPACITY (MBH)	971	942	911	880	847	817	784	751	715	680	642	TBD See Note 6.	TBD See Note 6.	TBD See Note 6.	
				38.2	37.1	35.9	34.6	33.3	32.2	30.9	29.6	28.1	26.8	25.3				
				45.3	43.9	42.5	41.0	39.5	38.1	36.5	35.0	33.3	31.7	29.9				
				52.8	51.2	49.5	47.8	46.0	44.4	42.6	40.8	38.9	37.0	34.9				
				60.4	58.6	56.7	54.8	52.7	50.9	48.8	46.7	44.5	42.3	40.0				
				67.9	65.9	63.7	61.5	59.2	57.1	54.8	52.5	50.0	47.5	44.9				
TAP 5 (L)	1.5	120	NET HEATING CAPACITY (MBH)	844	810	777	734	698	665	626	581	533	504	466	TBD See Note 6.	TBD See Note 6.	TBD See Note 6.	
				36.3	34.8	33.4	31.5	30.0	28.6	26.9	25.0	22.9	21.7	20.0				
				42.8	41.0	39.4	37.2	35.4	33.7	31.7	29.4	27.0	25.5	23.6				
				49.8	47.8	45.8	43.3	41.2	39.2	36.9	34.3	31.4	29.7	27.5				
				55.9	53.6	51.5	48.6	46.2	44.0	41.5	38.5	35.3	33.4	30.9				
				61.9	59.4	57.0	53.8	51.2	48.8	45.9	42.6	39.1	36.9	34.2				

- NOTES:
- EWT - Entering Water Temperature (F).
 - CFM - Airflow in (Cubic Feet per Minute).
 - Legs - 3 inch diameter flexible ducts to diffusers.
 - 1 MBH = 1000 BTU/H.
 - Shaded box represents rating point; refer to wiring diagram for factory set speed taps.
6. Number of 3" diameter legs specified in table above is for rating point only (i.e. at External Static Pressure of 0.5 in. w.c. and speed TAP3, TAP1, TAP2, TAP2 for AHB45, AHB60, AHB75, AHB90 respectively). Final leg count is to be determined by the installing contractor and is to be based on the following formula:
 NUMBER OF LEGS = TOTAL AVAILABLE CFM (AT THE SPECIFIC ESP) / DESIRED CFM per LEG (40, 50, or 60 CFM)
 Example: Given the design point for AHB045 of 0.8 ESP, Low fan speed (Tap5), From table 5.0, available CFM is 569 and the desired CFM per leg is 50 CFM. Therefore, Number of Legs = 569/50 = 11.38 rounded down to 11.

TABLE 5.24: AIR DELIVERY AND PERFORMANCE DATA (BOTTOM OR SIDE RETURN w/ FACTORY SUPPLIED FILTER)

UNIT SIZE	ECM SPEED TAP	SUPPORTS COOLING CAP. RANGE (TONS)	EWT (°F)	NOMINAL HEATING CAPACITY	External Static Pressure (ESP) in. W.C.										Minimum Legs @ 60 CFM/Leg	Optimal Legs @ 50 CFM/Leg	Maximum Legs @ 40 CFM/Leg	
					AIRFLOW (CFM)													
					0	0.1	0.2	0.3	0.4	0.5	0.6	0.7	0.8	0.9				1.0
37AHB06012KA5 + REU-VA2019FUD	TAP 1 (H)	3.0	120	NET HEATING CAPACITY (MBH)	1343	1318	1296	1270	1248	1225	1197	1168	1109	1025	889	20	24	30
					43.6	42.8	42.1	41.2	40.5	39.8	38.8	37.9	36.0	33.3	28.8			
					50.9	49.9	49.1	48.1	47.3	46.4	45.3	44.3	42.0	38.8	33.7			
					59.5	58.4	57.4	56.3	55.3	54.3	53.1	51.8	49.2	45.4	39.4			
					68.6	67.4	66.2	64.9	63.8	62.6	61.2	59.7	56.7	52.4	45.4			
					75.2	73.8	72.6	71.2	69.9	68.6	67.1	65.4	62.1	57.4	49.8			
	TAP 2 (MH)	2.5	120	NET HEATING CAPACITY (MBH)	1148	1128	1103	1072	1045	1012	984	955	937	908	690	TBD See Note 6.	TBD See Note 6.	TBD See Note 6.
					40.3	39.6	38.7	37.6	36.7	35.5	34.5	33.5	32.9	31.9	24.2			
					48.0	47.2	46.1	44.8	43.7	42.3	41.2	40.0	39.2	38.0	28.9			
					56.2	55.2	54.0	52.5	51.2	49.5	48.2	46.7	45.9	44.4	33.8			
					65.1	64.0	62.5	60.8	59.3	57.4	55.8	54.2	53.1	51.5	39.1			
					72.9	71.6	70.0	68.1	66.4	64.3	62.5	60.6	59.5	57.7	43.8			
TAP 4 (ML)	2.0	120	NET HEATING CAPACITY (MBH)	971	942	911	880	847	817	784	751	715	680	642	TBD See Note 6.	TBD See Note 6.	TBD See Note 6.	
				39.6	38.4	37.2	35.9	34.6	33.3	32.0	30.6	29.2	27.7	26.2				
				46.8	45.4	43.9	42.4	40.8	39.4	37.8	36.2	34.5	32.8	31.0				
				54.6	52.9	51.2	49.5	47.6	45.9	44.1	42.2	40.2	38.2	36.1				
				62.6	60.7	58.7	56.7	54.6	52.7	50.5	48.4	46.1	43.8	41.4				
				70.1	68.0	65.8	63.6	61.2	59.0	56.6	54.2	51.6	49.1	46.4				
TAP 5 (L)	1.5	120	NET HEATING CAPACITY (MBH)	844	810	777	734	698	665	626	581	533	504	466	TBD See Note 6.	TBD See Note 6.	TBD See Note 6.	
				37.6	36.1	34.6	32.7	31.1	29.6	27.9	25.9	23.8	22.5	20.8				
				44.3	42.5	40.8	38.6	36.7	34.9	32.9	30.5	28.0	26.5	24.5				
				51.4	49.3	47.3	44.7	42.5	40.5	38.1	35.4	32.4	30.7	28.4				
				57.8	55.4	53.2	50.2	47.8	45.5	42.8	39.8	36.5	34.5	31.9				
				64.1	61.5	59.0	55.7	53.0	50.5	47.5	44.1	40.5	38.3	35.4				

NOTES:

- EWT - Entering Water Temperature (F).
- CFM - Airflow in (Cubic Feet per Minute).
- Legs - 3 inch diameter flexible ducts to diffusers.
- 1 MBH = 1000 BTU/H.
- Shaded box represents rating point; refer to wiring diagram for factory set speed taps.
- Number of 3" diameter legs specified in table above is for rating point only (i.e. at External Static Pressure of 0.5 in. w.c. and speed TAP3, TAP1, TAP2 for AHB45, AHB60, AHB75, AHB90 respectively). Final leg count is to be determined by the installing contractor and is to be based on the following formula:

$$\text{NUMBER OF LEGS} = \frac{\text{TOTAL AVAILABLE CFM (AT THE SPECIFIC ESP)}}{\text{DESIRED CFM per LEG (40, 50, or 60 CFM)}}$$
 Example: Given the design point for AHB045 of 0.8 ESP, Low fan speed (Tap5). From table 5.0, available CFM is 569 and the desired CFM per leg is 50 CFM. Therefore, Number of Legs = 569/50 = 11.38 rounded down to 11.

TABLE 5.25: AIR DELIVERY AND PERFORMANCE DATA (BOTTOM OR SIDE RETURN w/ FACTORY SUPPLIED FILTER)

UNIT SIZE	ECM SPEED TAP	SUPPORTS COOLING CAP. RANGE (TONS)	EWT (°F)	NOMINAL HEATING CAPACITY	External Static Pressure (ESP) in. W.C.										Minimum Legs @ 60 CFM/Leg	Optimal Legs @ 50 CFM/Leg	Maximum Legs @ 40 CFM/Leg	
					AIRFLOW (CFM)													
					0	0.1	0.2	0.3	0.4	0.5	0.6	0.7	0.8	0.9				1.0
37AHB07514KA5 + REU-VA3237FFU(W)-US/ASME	TAP 1 (H)	4.0	120	NET HEATING CAPACITY (MBH)	1700	1666	1635	1604	1576	1543	1518	1492	1465	1430	1402	TBD See Note 6.	TBD See Note 6.	
					50.1	49.1	48.1	47.2	46.4	45.4	44.7	43.9	43.1	42.1	41.3			
					59.7	58.5	57.4	56.3	55.3	54.2	53.3	52.4	51.4	50.2	49.2			
					68.8	67.4	66.2	64.9	63.8	62.5	61.4	60.4	59.3	57.9	56.8			
					79.9	78.3	76.9	75.4	74.1	72.5	71.4	70.1	68.9	67.2	65.9			
					89.5	87.7	86.1	84.5	83	81.2	79.9	78.6	77.1	75.3	73.8			
	TAP 2 (MH)	3.5	120	NET HEATING CAPACITY (MBH)	1561	1524	1490	1456	1428	1396	1364	1330	1299	1265	1224	27	32	40
					50.9	49.7	48.6	47.5	46.6	45.6	44.5	43.4	40.1	41.3	39.9			
					60.6	59.2	57.8	56.5	55.4	54.2	53.0	51.6	47.7	49.1	47.5			
					68.3	66.7	65.2	63.7	62.5	61.1	59.7	58.2	53.8	55.4	53.6			
					79.3	77.4	75.7	73.9	72.5	70.9	69.3	67.5	62.5	64.2	62.2			
					89.8	87.7	85.8	83.8	82.2	80.3	78.5	76.5	70.8	72.8	70.4			
TAP 3 (ML)	3.0	120	NET HEATING CAPACITY (MBH)	1391	1350	1320	1281	1245	1209	1170	1131	1090	1064	1031	TBD See Note 6.	TBD See Note 6.	TBD See Note 6.	
				51.5	50.0	48.9	47.4	46.1	44.7	43.3	41.9	40.3	39.4	38.2				
				60.6	58.8	57.5	55.8	54.2	52.6	50.9	49.2	47.5	46.3	44.9				
				71.7	69.6	68.0	66.0	64.1	62.3	60.3	58.3	56.2	54.8	53.1				
				81.0	78.6	76.9	74.6	72.5	70.4	68.1	65.9	63.5	61.9	60.0				
				91.2	88.5	86.6	84.0	81.6	79.3	76.7	74.2	71.5	69.8	67.6				
TAP 4 (L)	2.5	120	NET HEATING CAPACITY (MBH)	1222	1174	1140	1100	1063	1014	979	937	887	829	777	Minimum Legs @ 60 CFM/Leg	Optimal Legs @ 50 CFM/Leg	Maximum Legs @ 40 CFM/Leg	
				47.3	45.4	44.1	42.5	41.1	39.2	37.9	36.2	34.3	32.1	30.0				
				53.2	51.1	49.6	47.8	46.2	44.1	42.6	40.8	38.6	36.1	33.8				
				64.3	61.7	60.0	57.8	55.9	53.3	51.5	49.3	46.6	43.6	40.9				
				73.4	70.5	68.5	66.1	63.8	60.9	58.8	56.3	53.3	49.8	46.7				
				81.8	78.6	76.3	73.6	71.1	67.9	65.5	62.7	59.4	55.5	52.0				

NOTES:

- EWT - Entering Water Temperature (F).
- CFM - Airflow in (Cubic Feet per Minute).
- Legs - 3 inch diameter flexible ducts to diffusers.
- 1 MBH = 1000 BTU/H.
- Shaded box represents rating point; refer to wiring diagram for factory set speed taps.
- Number of 3" diameter legs specified in table above is for rating point only (i.e. at External Static Pressure of 0.5 in. w.c. and speed TAP3, TAP1, TAP2 for AHB45, AHB60, AHB75, AHB90 respectively). Final leg count is to be determined by the installing contractor and is to be based on the following formula:

$$\text{NUMBER OF LEGS} = \frac{\text{TOTAL AVAILABLE CFM (AT THE SPECIFIC ESP)}}{\text{DESIRED CFM per LEG (40, 50, or 60 CFM)}}$$
 Example: Given the design point for AHB045 of 0.8 ESP, Low fan speed (Tap5). From table 5.0, available CFM is 569 and the desired CFM per leg is 50 CFM. Therefore, Number of Legs = 569/50 = 11.38 rounded down to 11.

TABLE 5.26: AIR DELIVERY AND PERFORMANCE DATA (BOTTOM OR SIDE RETURN w/ FACTORY SUPPLIED FILTER)

UNIT SIZE	ECM SPEED TAP	SUPPORTS COOLING CAP. RANGE (TONS)	EWT (°F)	NOMINAL HEATING CAPACITY	External Static Pressure (ESP) in. W.C.										Minimum Legs @ 60 CFM/Leg	Optimal Legs @ 50 CFM/Leg	Maximum Legs @ 40 CFM/Leg	
					AIRFLOW (CFM)													
					0	0.1	0.2	0.3	0.4	0.5	0.6	0.7	0.8	0.9				1.0
37AHB09016KA5 + REU-VA3237FFU(W)-US/ASME	TAP 1 (H)	5.0	120	NET HEATING CAPACITY (MBH)	1934	1889	1857	1818	1784	1750	1715	1680	1568	1491	1377	TBD See Note 6.	TBD See Note 6.	
					60.2	58.8	57.8	56.6	55.5	54.5	53.4	52.3	48.8	46.4	42.9			
					67.6	66	64.9	63.6	62.4	61.2	60.0	58.7	54.8	52.1	48.1			
					77.8	76	74.7	73.2	71.8	70.4	69.0	67.6	63.1	60.0	55.4			
					89.4	87.3	85.8	84	82.5	80.9	79.3	77.6	72.5	68.9	63.6			
	101	99	97.3	95.3	93.5	91.7	89.9	88.1	82.2	78.1	72.2							
	TAP 2 (MH)	4.0	120	NET HEATING CAPACITY (MBH)	1777	1732	1694	1650	1630	1592	1553	1517	1464	1441	1361	29	35	44
					52.9	51.5	50.4	49.1	48.5	47.4	46.2	45.1	43.6	42.9	40.5			
					64.4	62.8	61.4	59.8	59.1	57.7	56.3	55.0	53.1	52.2	49.3			
					76.0	74.1	72.5	70.6	69.7	68.1	66.4	64.9	62.6	61.6	58.2			
89.6					87.3	85.4	83.2	82.1	80.2	78.3	76.5	73.8	72.6	68.6				
100.9	98.3	96.2	93.7	92.5	90.4	88.2	86.1	83.1	81.8	77.3								
TAP 3 (ML)	3.5	120	NET HEATING CAPACITY (MBH)	1573	1530	1490	1448	1417	1372	1327	1293	1253	1221	1175	TBD See Note 6.	TBD See Note 6.	TBD See Note 6.	
				52.1	50.7	49.4	48.0	47.0	45.5	44.0	42.9	41.5	40.5	39.0				
				61.8	60.1	58.5	56.9	55.7	53.9	52.1	50.8	49.2	48.0	46.1				
				71.8	69.8	68.0	66.1	64.6	62.6	60.5	59.0	57.2	55.7	53.6				
				81.8	79.6	77.5	75.3	73.7	71.3	69.0	67.2	65.2	63.5	61.1				
91.7	89.2	86.9	84.4	82.6	80.0	77.4	75.4	73.0	71.2	68.5								
TAP 4 (L)	3.0	120	NET HEATING CAPACITY (MBH)	1400	1351	1317	1275	1225	1183	1134	1095	1053	1011	951	TBD See Note 6.	TBD See Note 6.	TBD See Note 6.	
				50.4	48.6	47.4	45.9	44.1	42.5	40.8	39.4	37.9	36.4	34.2				
				59.9	57.8	56.4	54.6	52.4	50.6	48.5	46.9	45.1	43.3	40.7				
				68.8	66.4	64.7	62.6	60.2	58.1	55.7	53.8	51.7	49.7	46.7				
				78.3	75.6	73.7	71.3	68.5	66.2	63.4	61.2	58.9	56.6	53.2				
88.2	85.1	82.9	80.3	77.1	74.5	71.4	68.9	66.3	63.7	59.9								

NOTES:
 1. EWT - Entering Water Temperature (F).
 2. CFM - Airflow in (Cubic Feet per Minute).
 3. Legs - 3 inch diameter flexible ducts to diffusers.
 4. 1 MBH = 1000 BTU/H.
 5. Shaded box represents rating point; refer to wiring diagram for factory set speed taps.

6. Number of 3" diameter legs specified in table above is for rating point only (i.e. at External Static Pressure of 0.5 in. w.c. and speed TAP3, TAP1, TAP2 for AHB45, AHB60, AHB75, AHB90 respectively). Final leg count is to be determined by the installing contractor and is to be based on the following formula:
 NUMBER OF LEGS = TOTAL AVAILABLE CFM (AT THE SPECIFIC ESP) / DESIRED CFM per LEG (40, 50, or 60 CFM)
 Example: Given the design point for AHB045 of 0.8 ESP, Low fan speed (Tap5). From table 5.0, available CFM is 569 and the desired CFM per leg is 50 CFM. Therefore, Number of Legs = 569/50 = 11.38 rounded down to 11.

Accessories

FIELD SUPPLIED ACCESSORIES

1. Humidifier (HUM)

Connect an auxiliary 2.5 FLA, 2.5 LRA @ 115 VAC max Humidifier (if required). Connections are made via the "HUM" quick connects. The humidifier output is on whenever a heating demand is being satisfied. The contacts of this output are isolated to allow field personnel to apply 24 VAC or 115 VAC to one terminal and the humidifier load to the other.

2. Electronic Air Cleaner (EAC)

Connect an auxiliary Electronic Air Cleaner (if required); rating shall be max 1.0 Amp @ 115 VAC. This output is energized whenever any of the four blower speeds are energized. Connections are made via 0.250 x 0.032" male quick connect terminals labeled "EAC" and "N3".

3. UV Lamp

Connect an auxiliary UV lamp (if required); rating shall be max 1.0 Amp @ 115 VAC. This output is energized whenever any of the four blower speeds are energized. Connections are made via 0.250 x 0.032" male quick connect terminals labeled "UV" and "N2"

4. Filter Rack & Bottom Fill Plates

Refer to Figures 3 and 4 in this manual and the table below:

Part	Model	Part Number
Bottom Fill Plate	37AHB045	603000011
Bottom Fill Plate	37AHB060	603000012
Bottom Fill Plate	37AHB075	603000013
Bottom Fill Plate	37AHB090	603000014
Side Filter Rack	37AHB	603000015

5. Thermostats

The Standard Model thermostat is an electronic 24 vac, programmable, manual changeover wall-mount thermostat. This thermostat uses two set points to maintain and control room temperature in both the heating and air conditioning modes. The thermostat is designed to maintain +/-2°F accuracy. No batteries are required; temperature, blower, mode, and installer configuration settings are preserved with power off.

Part	Part Number
AC Thermostat	603000018
Heat Pump Thermostat	603000021

6. Flow Sensor

Refer to the plumbing section of this manual for installation instructions. The sensor is packaged with the hydronic furnace in the literature bag affixed between the filter and filter retention wire.

Part	Part Number
Sensor, Flow Actuated	603000010

7. Anti-scald Thermostatic Temperature Control Valve

Anti-scald thermostatic temperature control valves are an important part of domestic water plumbing because they eliminate the scalding and cold water shocks that can occur in a shower when a toilet is flushed or a faucet is turned on. In an Open Loop system (dual function – space heating and domestic water heating), an anti-scald valve should be installed when the Tankless Water heater set thermostat is above 120°F (49°C); refer to local codes and/or all authority having jurisdiction. For recommended piping configuration refer to Figure 11. Anti-Scald valve shall be thermostatically controlled and meet at least the following specifications:

- Dual certification ASSE 1016-T and ASSE 1017
- IAPMO Approved
- CSA Approved

Constant water temperature under different operating conditions.

An approved anti-scald/anti-chill thermostatic temperature control valve is available through the Rinnai® Accessory Program.

Part	Part Number
Thermostatic Mixing Valve	603000016

37AHB045 Wiring Diagram

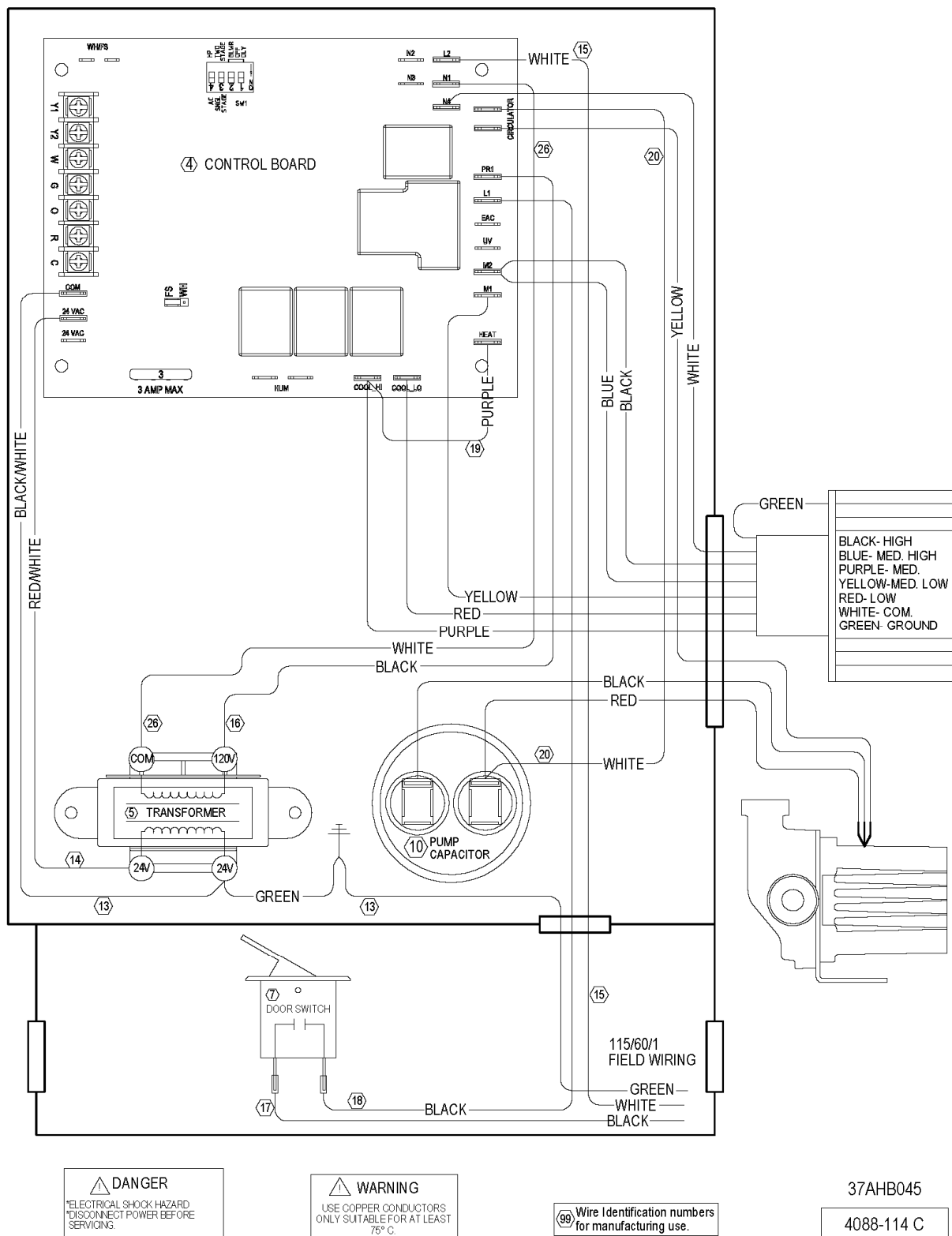
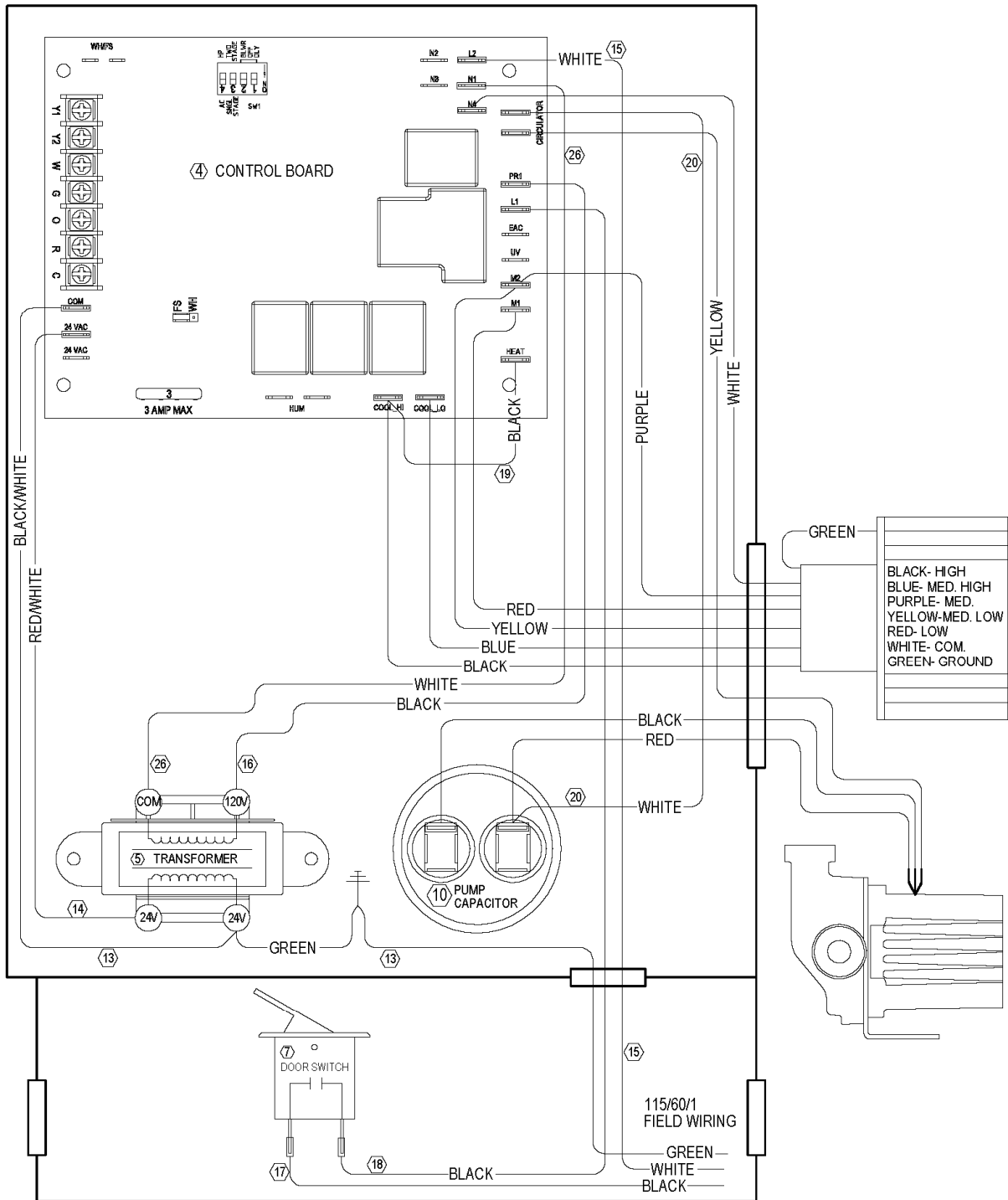


Figure 27

37AHB060 Wiring Diagram



⚠ DANGER
 *ELECTRICAL SHOCK HAZARD
 *DISCONNECT POWER BEFORE
 SERVICING.

⚠ WARNING
 USE COPPER CONDUCTORS
 ONLY SUITABLE FOR AT LEAST
 75°C.

99 Wire Identification numbers
 for manufacturing use.

37AHB060
 4088-113 C

Figure 28

37AHB075 and 37AHB090 Wiring Diagram

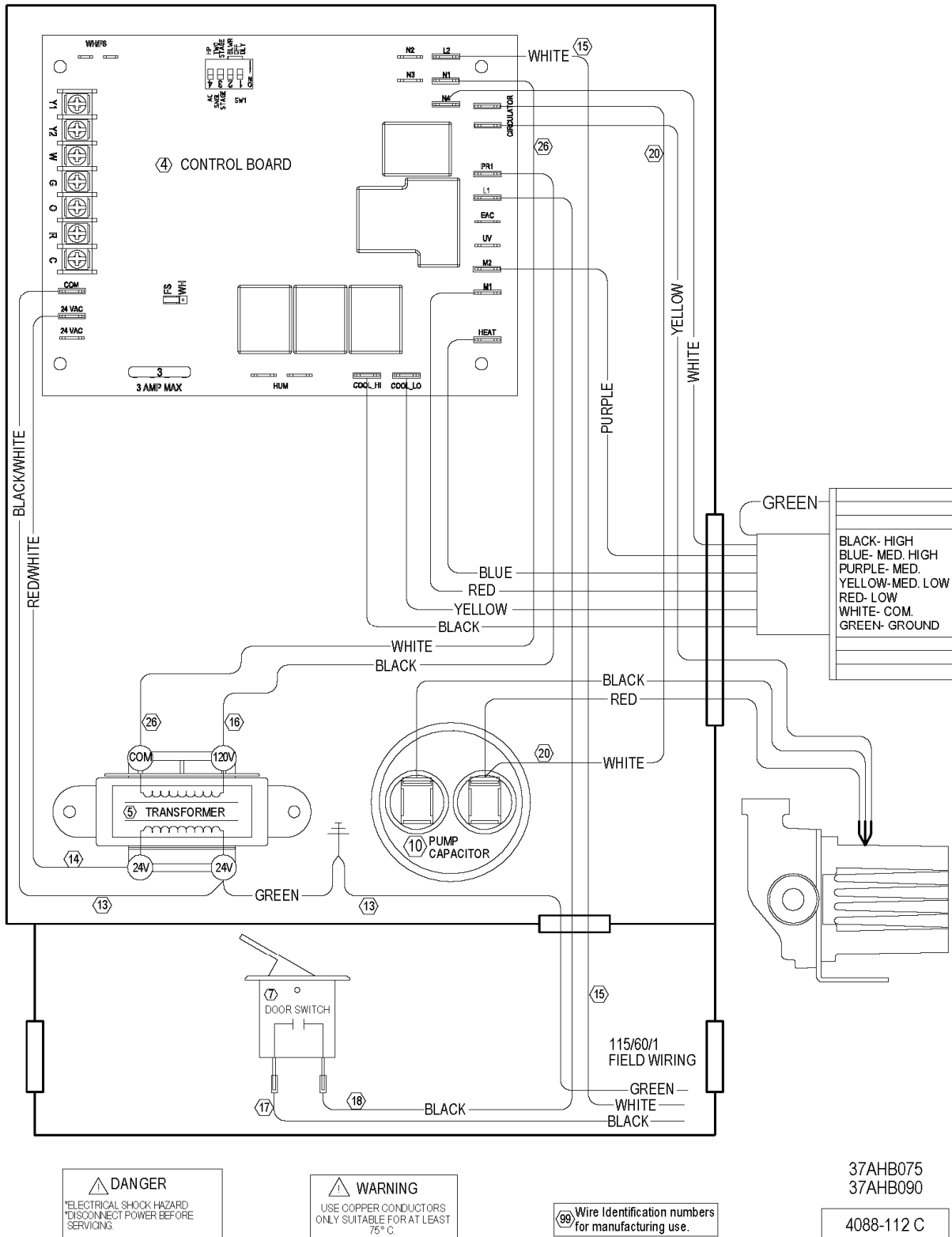


Figure 29

Parts List

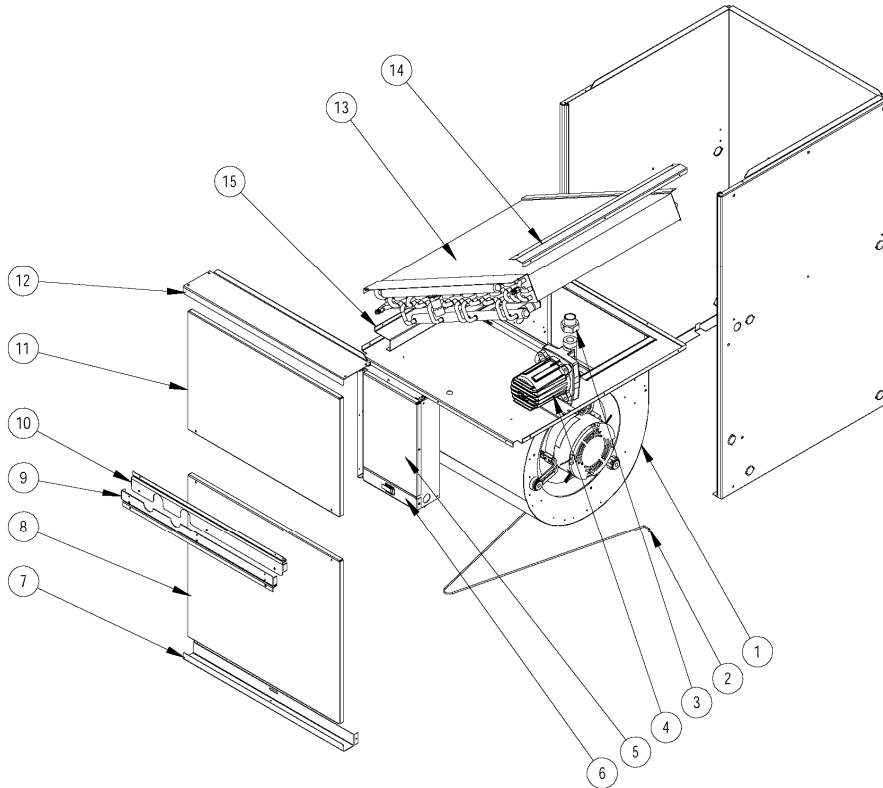
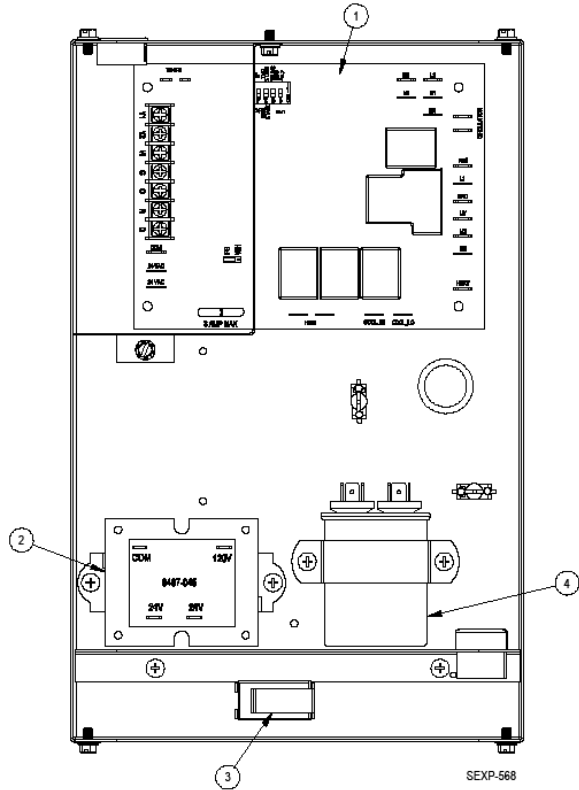


Figure 30: Unit Assembly

UNIT ASSEMBLY						
Balloon Number	Part Number	Description	MODEL			
			37AHB045	37AHB060	37AHB075	37AHB090
1	608000025	Complete Blower Assembly-See blower assembly section for individual parts	X			
	608000026			X		
	608000027				X	
	608000028					X
2	609000018	Filter Retention Wire	X	X	X	2
3	607000011	3/4" Pump Adaptor Set	2	2	2	2
4	607000010	Hydronic Pump	X	X	X	X
5	609000019	Control Panel Front Cover	X	X	X	X
6	609000052	High Voltage Compartment Cover	X	X	X	X
7	609000020	Lower Front Fill	X			
	609000021			X		
	609000022				X	
	609000023					X
8	609000024	Lower Front Service Door	X			
	609000025			X		
	609000026				X	
	609000027					X

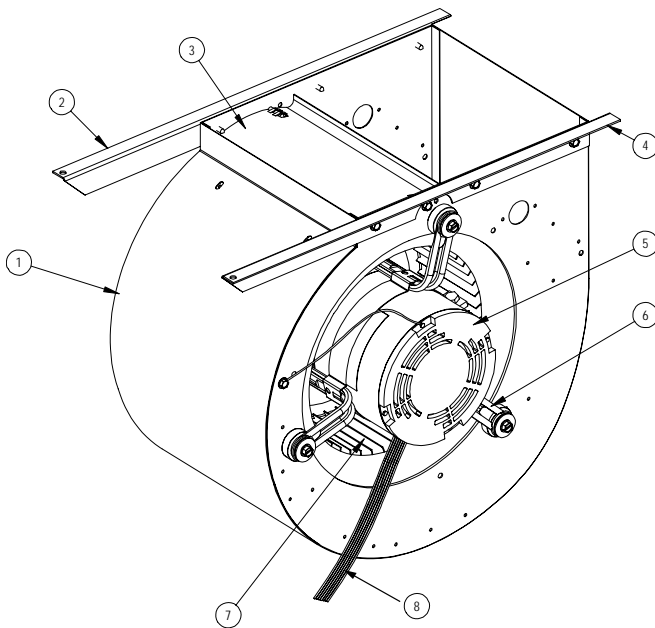
UNIT ASSEMBLY						
Balloon Number	Part Number	Description	MODEL			
			37AHB045	37AHB060	37AHB075	37AHB090
9	609000028	Lower Front Fill Panel	X			
	609000029			X		
	609000030				X	
	609000031					X
10	609000032	Upper Front Fill Panel	X			
	609000033			X		
	609000034				X	
	609000035					X
11	609000036	Upper Front Service Door	X			
	609000037			X		
	609000038				X	
	609000039					X
12	609000040	Top Fill	X			
	609000041			X		
	609000042				X	
	609000043					X
13	607000012	Water Coil	X			
	607000013			X		
	607000014				X	
	607000015					X
14	609000044	Coil Attachment Bracket	X			
	609000045			X		
	609000046				X	
	609000047					X
15	609000048	Coil Support			X	

Parts List



CONTROL PANEL					
Balloon Number	Part Number	Description	605000011 (sizes 045, 060)	605000012 (size 075)	605000013 (size 090)
1	605000010	Control Board	X	X	X
2	605000015	Transformer	X	X	X
3	605000014	Door Switch	X	X	X
4	605000018	Pump Capacitor	X	X	X

Figure 31: Control Panel



BLOWER ASSEMBLY						
Balloon Number	Part Number	Description	BLOWER			
			608000010 (size 045)	608000011 (size 060)	608000012 (size 075)	608000013 (size 090)
1	609000053	Blower Housing	X			
	609000054			X		
	609000055				X	
	609000056					X
2	609000057	Left Blower	X	X	X	X
3	608000017	Diffuser	X			
	608000018			X		
	608000019				X	
	608000020					X
4	609000058	Right Blower	X	X	X	X
5	605000025	1/2 HP Motor	X	X		
	605000027	3/4 HP Motor			X	
	605000028	1 HP Motor				X
6	609000059	Motor Mount	X	X	X	X
7	608000021	Blower Wheel	X			
	608000022			X		
	608000023				X	
	608000024					X
8	605000030	Fan Motor Harness	X	X	X	X
	605000031					

Figure 32: Blower Assembly

Limited Warranty

Warranty Information

The installer is responsible for the correct installation of your Hydronic Furnace.

Please complete the information below to keep for your records:

Purchased from: _____

Address: _____ Phone: _____

Date of Purchase: _____

Model No.: _____

Serial No.: _____

Installed by: _____ Installer's License No.: _____

Address: _____ Phone: _____

Date of Installation: _____

To register your hydronic furnace or tankless water heater, please visit www.rinnairegistration.com. For those without internet access, please call 1-866-RINNAI1 (745-6241).

Limited Warranty

What is covered?

This Warranty covers any defects in materials or workmanship when the product is installed and operated according to Rinnai written installation instructions, subject to the terms within this Limited Warranty document. Rinnai's hydronic furnace should be installed by a state qualified or licensed contractor. Improper installation may void this Warranty. This Warranty extends to the original purchaser, but only while the product remains at the site of the original installation. This Warranty only extends through the first installation of the product and terminates if the product is moved or reinstalled at a new location.

How long does coverage last?

Item	Period of Coverage (from date of purchase)
Parts	5 Years *
Reasonable Labor	1 Year *

* In order to receive full warranty coverage on the furnace when connected to any other type or brand of product other than a Rinnai tankless water heater, the flow rate through the furnace must not exceed a maximum of 5 GPM.

Limited Warranty

What will Rinnai do?

Rinnai will repair or replace the covered product or any part or component that is defective in materials or workmanship as set forth. Labor will only be covered when the furnace is connected to a Rinnai tankless water heater. Rinnai will pay reasonable labor charges associated with the repair or replacement of any such part or component. All repair parts must be genuine Rinnai parts. All repairs or replacements must be performed by an individual or servicing company that is properly trained, state qualified or licensed to do the type of repair.

Replacement of the product may be authorized by Rinnai only. Rinnai does not authorize any person or company to assume for it any obligation or liability in connection with the replacement of the product. If Rinnai determines that repair of a product is not possible, Rinnai will replace the product with a comparable product at Rinnai's discretion. If a component or product returned to Rinnai is found to be free of defects in material or workmanship, or damaged by improper installation or damaged during return shipping, the warranty claim for product, parts and labor may be denied.

How do I get service?

You must contact a state qualified/licensed contractor or authorized service provider for the repair of a product under this Warranty. For the name of a qualified/authorized service provider please contact your place of purchase, visit the Rinnai website (www.rinnai.us), call Rinnai at 1-800-621-9419 or write to Rinnai at 103 International Drive, Peachtree City, Georgia 30269.

Proof of purchase is required to obtain warranty service. You may show proof of purchase with a dated sales receipt, or by registering within 30 days of purchasing the product. To register your hydronic furnace or tankless water heater, please visit www.rinnairegistration.com. For those without internet access, please call 1-866-RINNAI1 (745-6241). Receipt of Registration by Rinnai will constitute proof-of-purchase for this product. However, Registration is not necessary in order to validate this Warranty.

What is not covered?

This Warranty does not cover any failures or operating difficulties due to the following:

- accident, abuse, or misuse
- alteration
- misapplication
- force majeure
- improper installation (such as but not limited to inadequate water quality, condensate damage, or absence of a drain pan under the appliance)
- improper maintenance (such as but not limited to scale build-up, or freeze damage)
- incorrect sizing
- any other causes other than defects in materials or workmanship

This Warranty does not apply to any product whose serial number or manufacture date has been defaced. This Warranty does not cover any product used in an application that uses chemically treated water.

Limitation on warranties

No one is authorized to make any other warranties on behalf of Rinnai America Corporation. Except as expressly provided herein, there are no other warranties, expressed or implied, including, but not limited to warranties of merchantability or fitness for a particular purpose, which extend beyond the description of the warranty herein and further Rinnai shall not be liable for indirect, incidental, special, consequential or other similar damages that may arise, including lost profits, damage to person or property, loss of use, inconvenience, or liability arising from improper installation, service or use. Some states do not allow the exclusion or limitation of incidental or consequential damages, so the above limitation may not apply to you.

Any implied warranties of merchantability and fitness arising under state law are limited in duration to the period of coverage provided by this limited Warranty, unless the period provided by state law is less. Some states do not allow limitations on how long an implied Warranty lasts, so the above limitation may not apply to you.

This Warranty gives you specific legal rights, and you may also have other rights which vary from state to state.

Ask about **Rinnai**[®]

Rinnai's other fine products

EXPERIENCE OUR INNOVATION™



Tankless Water Heaters

- Residential and Commercial Applications
- Continuous Hot Water
- ENERGY STAR[®] qualified models
- Up to 9.8 GPM
- Internal or External Installation
- Digital Temperature Control



Direct Vent Furnaces

- High Efficiency
- Cool-to-the-touch Cabinet
- Vent Terminal A Included
- Blower Included



Direct-Vent Fireplace, RHFE-750ETRA

- Up to 83% AFUE Energy Efficiency
- Zero-Clearance Installation
- Available in Four Options of Fronts
- Remotes and Fan Included
- Gas Conversion Kit Available



Hydronic Furnace

- Designed for Use with Rinnai Systems
- Domestic Hot Water Priority
- Optional Programmable Thermostat
- Zero Clearance to Combustibles
- Accommodates Standard Cased-Coils



Boilers

- Residential and Commercial Applications
- ENERGY STAR[®] qualified models
- Up to 96.5% AFUE efficiency
- Compact wall mounted design
- ASME accredited models



Condensing Tankless Water Heaters

- Residential and Commercial Applications
- ENERGY STAR[®] qualified models
- Up to 95% thermal efficiency
- Internal or External Installation
- Pair up with the Rinnai Air Handler for efficient home heating



Rinnai Impression - Outdoor Fireplace

- Options include one-sided open, two-sided open, and freestanding.
- No electrical requirements
- Propane or convertible to natural gas with conversion kit provided
- Modular construction offers design flexibility

Register your product at
www.rinnairegistration.com
or call 1-866-RINNAI1 (746-6241)

For information on Rinnai's products contact
Rinnai America Corporation
103 International Drive
Peachtree City, GA 30269
TOLL FREE: 1-800-621-9419
FAX: 678-829-1666
www.rinnai.us