

55 HP MFE

MRL, MJRL



FEATURES AT A GLANCE

Easy to Own and Operate

- Multi-Fuel Capable
- De-Watering System
- Carrying Handle
- Low Reflection Paint and Decals
- Tilt-Assist Cylinder
- One-Year Limited Warranty
- No Operational Break-In Procedure
- Easy Starts (no choking or priming)
- Self Flushing Cooling System
- Simplified Winterization Procedure
- Digital Diagnostics
- CANbus Capable

Durable and Reliable

- Full Corrosion Protection
- Multi-Point Lubrication System
- Auto-Calibrated Linkage
- Robust, Heavy-Duty Design
- Posi-Lock Latches
- Extra Capacity Water Pump
- Iridium Spark Plugs
- Vibration Isolated Electronics
- Beltless 25 Amp Charging System
- Stainless Steel Thermostat
- Nickel/Chrome-Faced Piston Rings
- Micro Finished Connecting Rods/Crankshaft
- *MFE S.A.F.E.* Warning System—maximum engine operation in critical situations

Cleaner and Quieter

- EPA Emissions Compliance
- European Union Emissions Compliance
- Sealed Fuel System
- Low Friction Design (No powerhead gears, belts, cams, oil scraping rings, or mechanical oil pump)
- Full Length Insulated Lower Pans
- Quiet Signature Sound
- Air Intake/Silencer
- Idle Air Bypass

The following trademarks are the property of Bombardier Recreational Products Inc. or its affiliates:

Evinrude®

Evinrude®/*Johnson*® XD30™

I-Command™

Evinrude® E-TEC®

Evinrude®/*Johnson*® XD50™

S.A.F.E.™

Evinrude®/*Johnson*® Genuine Parts

Evinrude®/*Johnson*® XD100™

SystemCheck™

BRP Logo

HPF XR™ Gearcase Lubricant

Triple-Guard™ Grease

Evinrude® MFE

HPF Pro™ Gearcase Lubricant

2+4™ Fuel Conditioner

TABLE OF CONTENTS

About This Guide	4
Important Safety Messages	5
Product References, Illustrations and Specifications	7
Declaration of Conformity	8

USING THE *EVINRUDE MFE* OUTBOARD

Component Identification	10
Fuel and Oil	13
Fuel Requirements	13
Fuel System Operation	14
Fuel System Priming	14
Fuel Selector switch	14
Oil Requirements	15
Filling the Oil Tank	15
Priming the Oil System	15
Oiling System Operation	15
Operation	16
Safety Information	16
Engine Starting	16
Engine Stopping	18
Shifting and Speed Control	19
Tilting	20
Tilt Support Bracket	20
Trailing	21
Trim Angle Adjustment	21
Impact Damage Protection	22
Engine Overheating	23
Anti-Corrosion Anodes	23
Salt Water	24
Weedy Water	24
High Altitude	25
Freezing Weather	25
Shallow Water	25
Towing	25
Fuse	25
Submersion and Recovery	26
De-Water Procedure	26
Post-Submersion Servicing	27
Prolonged Submersion	27

MAINTENANCE

Engine Emissions Information	30
Maintenance Schedule	31
Storage	32
Transporting the Outboard	32
Flushing	32
Short-Term STORAGE	32
Long-Term Storage (Winterization)	33
Pre-Season Check	34
Spark Plugs	34
Troubleshooting	35

PRODUCT INFORMATION

Specifications	38
Installation	39
Transom Height	39
Installing the Outboard	40
Propeller Service	41
Impeller service, MJRL	41
Tiller Handle Attachment	42
Adjustments	43
Product Warranty Information	44
Change of Address / Change of Ownership	47
Confirmation of Receipt	49

ABOUT THIS GUIDE

This Operator's Guide is an essential part of your *Evinrude MFE* outboard. It contains pertinent information which, if followed, will provide you with a thorough understanding needed for proper operation, maintenance, care, and—above all—safety. Safety is our first priority and it should be yours too. It is strongly recommended you read this Guide from cover to cover. The more you know and understand about your *Evinrude MFE* outboard, the greater the safety and pleasure you will get from using it. Following this recommendation will assure the completeness of the information essential to your safety, the safety of any passengers, and other water users.

This Operator's Guide identifies important safety messages.

Although the mere reading of such information does not eliminate the hazard, the understanding and application of the information will promote the correct use of your outboard engine.

Warning Symbols in this Guide

How can you reduce the risk of death, personal injury, and possible property damage? This Operator's Guide answers such questions and are contained in boxes highlighted by the Safety Alert Symbol. It is imperative to read, understand, and follow these comments.

This Guide should be kept in a waterproof bag with the outboard at all times during operation. If the product ownership is transferred, this Guide should be forwarded to the new owners.

A responsible, educated boater will fully appreciate the pleasures of boating and will be a safe boater. Boating Safety Classes are conducted by the U.S. Coast Guard Auxiliary, the U.S. Power Squadron and some Red Cross Chapters. For information about classes, call toll free 1-800-336-BOAT.

For additional information about boating safety and regulations, call:

- U.S. Coast Guard Boating Safety Hotline
1-800-368-5647.

Outside North America please contact your Dealer or distributor for details about boating safety.


This Operator's Guide uses the following signal words identifying important safety messages.

DANGER

Indicates a hazardous situation which, if not avoided, will result in death or serious injury.

WARNING

Indicates a hazardous situation which, if not avoided, could result in death or serious injury.

 CAUTION Indicates a hazardous situation which, if not avoided, could result in minor or moderate injury.

NOTICE Indicates an instruction which, if not followed, could severely damage engine components or other property.

IMPORTANT: Identifies information that will help with assembly and operation of the product.

Additionally, Bombardier Recreational Products (BRP) has identified key information that is essential to the operation of your *Evinrude E-TEC* outboard.



Key information appears throughout this Guide in gray boxes with a key above the text. This highlighted information is a vital reference when using your outboard.

IMPORTANT SAFETY MESSAGES

This Operator's Guide contains essential information to help prevent personal injury and damage to equipment. Safety messages appear throughout this Guide in the applicable section.












Be careful! Human error is caused by many factors: carelessness, fatigue, overload, pre-occupation, unfamiliarity of operator with the product, drugs and alcohol to name a few. Damage to your boat and outboard can be fixed in a short period of time, but injury or death, has a lasting effect.

WARNING

For your safety and the safety of others, follow all safety warnings and recommendations. Do not disregard any of the safety precautions and instructions.

Anyone operating your boat should first read and understand this guide before they operate your boat and outboard.

SAFETY MEASURES — General

-  To fully appreciate the pleasures, enjoyment and excitement of boating there are some basic rules that should be observed and followed by any boater. Some rules may be new to you and others may be common sense or obvious... irrespective, take them seriously!
-  Be sure at least one of your passengers knows how to handle your boat in case of an emergency.
-  All passengers should know the location of emergency equipment and how to use it.
-  Know the marine traffic laws and obey them.
-  All safety equipment and personal flotation devices must be in good condition and suitable for your type of boat. Always comply with the regulations that apply to your boat.
-  Remember, gasoline fumes are flammable and explosive. Always adhere to the fueling procedure contained in this Operator's Guide and those given to you by the fueling station. Always verify fuel level before use and during the ride. Apply the principle of 1/3 fuel to destination, 1/3 back and 1/3 reserve fuel supply. Do not carry spare fuel or flammable liquids in any storage or engine compartments.
-  Whenever running the engine, assure there is proper ventilation to avoid the accumulation of carbon monoxide (CO), which is odorless, colorless, and tasteless, and can lead to unconsciousness, brain damage, or death if inhaled in sufficient concentrations. CO accumulation can occur while docked, anchored, or underway, and in many confined areas such as the boat cabin, cockpit, swim platform, and heads. It can be worsened or caused by weather, mooring and operating conditions, and other boats. Avoid exhaust fumes from your engine or other boats, provide proper ventilation, shut off your engine when not needed, and be aware of the risk of backdrafting and conditions that create CO accumulation. In high concentrations, CO can be fatal within minutes. Lower concentrations are just as lethal over long periods of time.
-  Avoid standing up or shifting weight suddenly in light weight boats.
-  Keep your passengers seated in seats. The boat's bow, gunwale, transom and seat backs are not intended for use as seats.
-  Insist on the use of personal flotation devices, approved by the U.S. Coast Guard, by all passengers when boating conditions are hazardous, and by children and nonswimmers at all times.
-  Proceed with caution and at very low speed in shallow water. Grounding or abrupt stops may result in personal injury or property damage. Also be alert for debris and objects in the water.

SAFETY MEASURES — Installation and Maintenance

- ⚠ Be familiar with the waters you are operating in. The gearcase of this outboard extends below the water surface and could potentially come in contact with underwater obstructions. Contact with underwater obstructions may result in loss of control and personal injury.
- ⚠ Respect no wake zones, rights of other water users and the environment. As the "skipper" and owner of a boat you are responsible for damage to other boats caused by the wake of your boat. Allow no one to throw refuse overboard.
- ⚠ Do not operate your boat if you are under the influence of drugs or alcohol.
- ⚠ High performance boats have a high power-to-weight ratio. If you are not experienced in the operation of a high performance boat, do not attempt to operate one at, or near, its top speed until you have gained that experience.
- ⚠ Become completely familiar with the control and operation of your boat and outboard before embarking on your first trip or taking on a passenger(s). If you have not had the opportunity to do so with your Dealer, practice driving in a suitable area and feel the response of each control. Be familiar with all controls before applying the throttle above idle speed. As the operator, you are in control and responsible for safe operation.
- ⚠ The outboard must be correctly installed. Failure to correctly install the outboard could result in serious injury, death or property damage. We strongly recommend that your Dealer install your outboard to ensure proper installation.
- ⚠ Do not overpower your boat by using an engine that exceeds the horsepower indicated on the boat's capacity plate. Overpowering could result in loss of control. If your boat has no capacity plate, contact your Dealer or the boat's manufacturer.
- ⚠ When replacement parts are required, use *Evinrude/Johnson Genuine Parts* or parts with equivalent characteristics, including type, strength and material. Using substandard parts could result in injury or product malfunction.
- ⚠ Only perform service procedures which are detailed in this Operator's Guide. Attempting to perform maintenance or repair on your outboard if you are not familiar with the correct service and safety procedure could cause personal injury or death. Further information can be obtained from your authorized *Evinrude/Johnson Dealer*. In many instances proper tools and training are required for certain service or repair procedures.
- ⚠ Maintain your boat and engine in top condition at all times. Adhere to the **Maintenance Schedule** on page 31.
- ⚠ Operate your boat and outboard prudently and have fun. Do not forget that all persons must assist other boaters in case of emergency.
- ⚠ Prevent injury from contact with rotating propeller; remove propeller before flushing or before performing any maintenance.

PRODUCT REFERENCES, ILLUSTRATIONS AND SPECIFICATIONS

BRP reserves the right to make changes at any time, without notice, to features, specifications and model availability, and to change any specification or part at any time without incurring any obligation to update older models. The information in the Guide is based on the latest specifications available at the time of publication.

Photographs and illustrations used in this Guide might not depict actual models or equipment but are intended as representative views for reference only.

Certain features of systems discussed in this Guide might not be found on all models in all marketing areas.

Owner's Identification

United States and Canada — At the time of purchase, your Dealer will complete your outboard registration forms. Your portion provides proof of ownership and date of purchase.

Outside United States and Canada — See your Dealer or distributor for details.

Model and Serial Numbers

The model and serial numbers appear on a plate attached to the stern bracket or swivel bracket. Record your outboard's:

Model Number _____

Serial Number _____

Purchase Date _____

Date of Delivery _____

Ignition Key Number _____

Stolen Outboards

United States and Canada — Report stolen outboards to your local dealer or distributor.

Outside United States and Canada — Report the theft to the Bombardier Recreational Products distributor where the outboard was registered.

Technical Literature

BRP offers technical literature specifically for your outboard. A service manual, a parts catalog, or an extra Operator's Guide can be purchased from your selling Dealer. For the name and location of the nearest *Evinrude* Dealer in the United States and Canada visit www.evinrude.com.

DECLARATION OF CONFORMITY

- **Application of Council Directives:**

Directive 94/25/EC as amended by 2003/44/EC – Recreational-Craft

- Relevant Harmonized Standard(s):

- EN ISO 8178-1

- EN ISO 14509

- **Relevant Directive(s):**

Directive 89/336EC as amended by 2004/108/EC – Electromagnetic Compatibility

- Relevant Harmonized Standard(s):

- EN ISO 55012:2007

- EN ISO 61000-6-1:2007

- EN ISO 61000-4-2:2008

- EN ISO 61000-4-3:2008

- **Product Type:**

Marine Outboard 2-Stroke Cycle SI Engine

- **Manufacturer:**

BRP US Inc.

10101 Science Drive

Sturtevant, WI 53177

- **EC Type Certificate:**

Engine Model(s)	Exhaust Emissions Certificate Number	Sound Emissions Certificate Number
E15D, E15H, E25D, E25T, E30D, E30T	EXBOMB009	SDBOMB023
E40D, E50D	EXBOMB002	SDBOMB012
E60D	EXBOMB002	SDBOMB013
E65W	EXBOMB006	SDBOMB020
E55M	EXBOMB007	SDBOMB020
E75D, E90D, E90W	EXBOMB003	SDBOMB014
E115D, E115H, E130D	EXBOMB004	SDBOMB022
E150D, E150H, E175D, E200DP, E200DS, E200DC	EXBOMB005	SDBOMB015
E200H, E200DH, E225D, E225H, E250DP, E250DC, DE250P, DE250C	EXBOMB001	SDBOMB016
E250H, E250DH	EXBOMB001	SDBOMB021
E300D, DE300P, DE300C	EXBOMB008	SDBOMB021

Engine models represented here are partials; additional suffixes are added to define additional features or accessories which do not affect certification.

I, the undersigned, hereby declare that the product specified above conforms to the above Directive(s) and Standard(s).

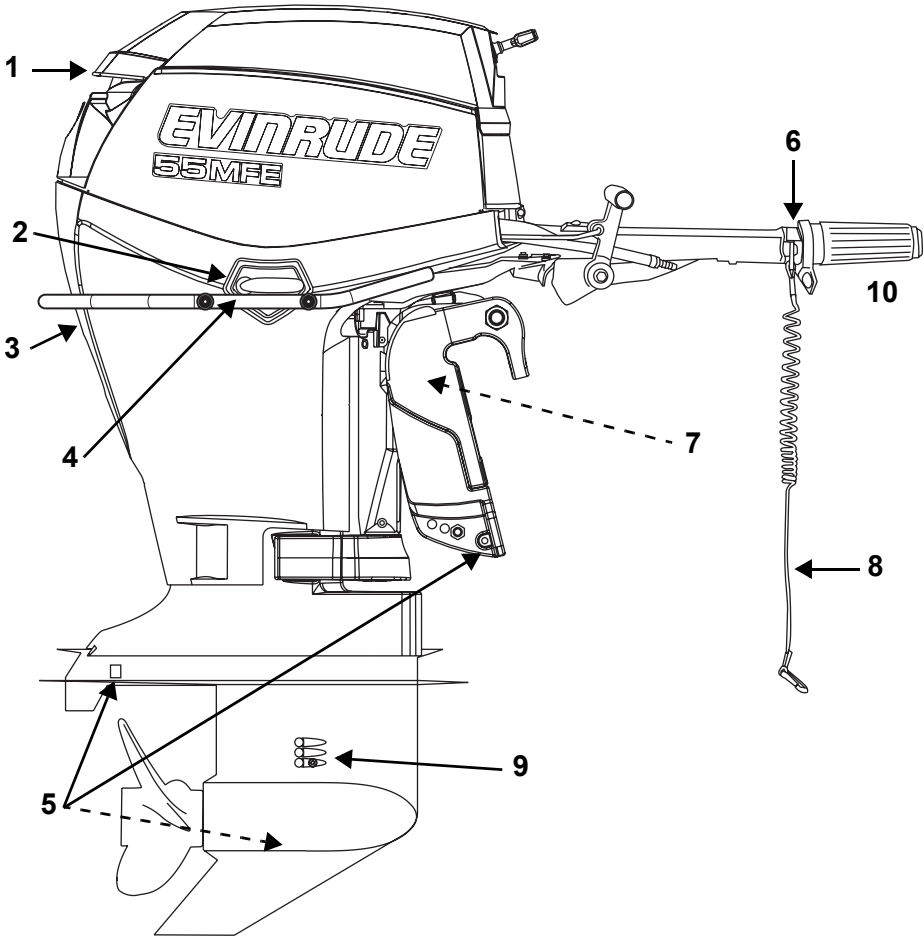


George Broughton

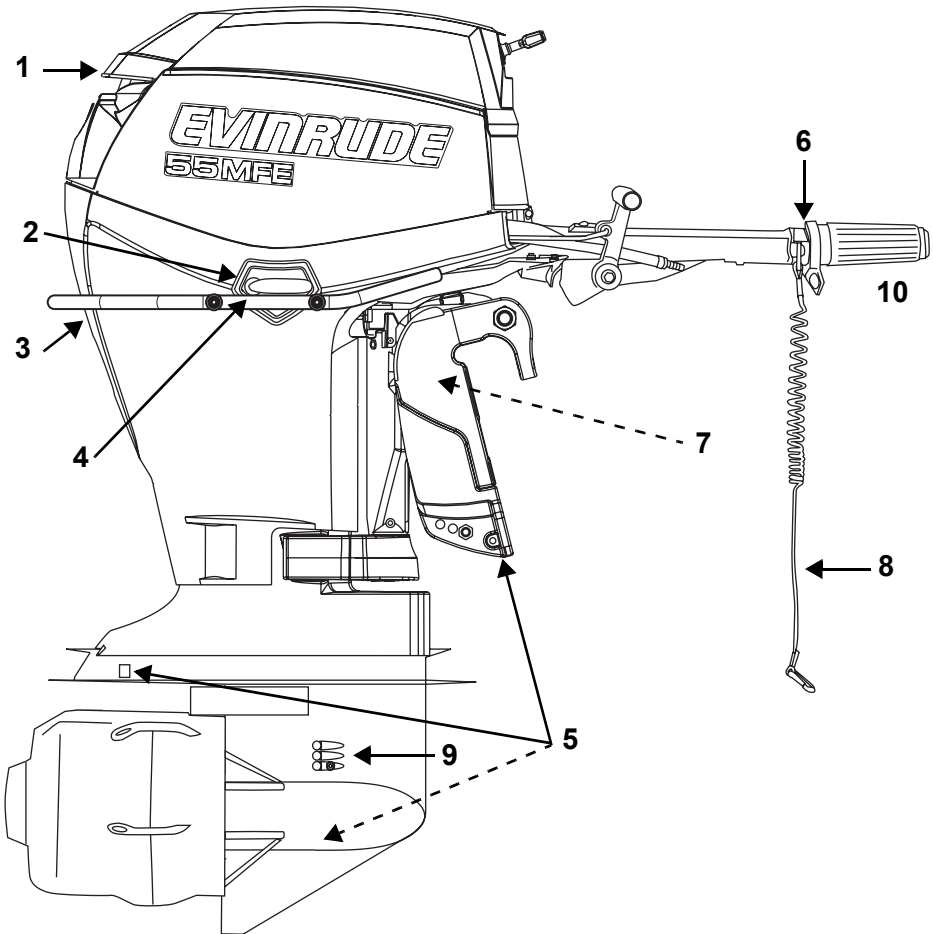
Director, Outboard Engine Engineering

**USING THE
EVINRUDE MFE
OUTBOARD**

COMPONENT IDENTIFICATION



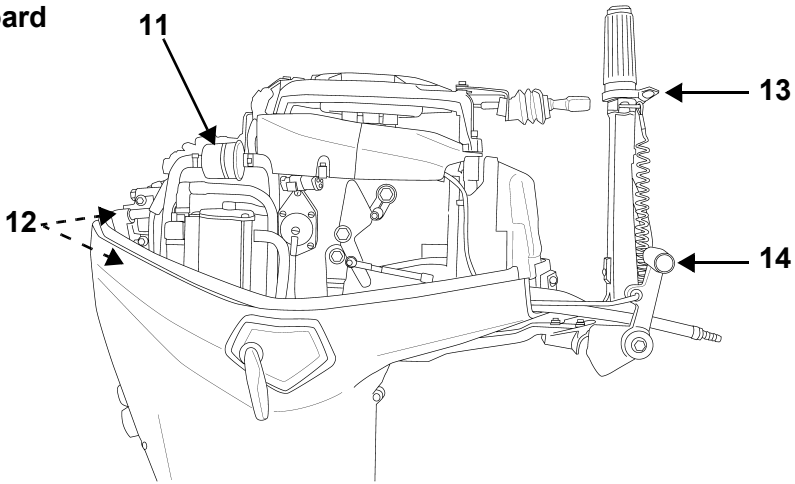
Item	Description	Item	Description
1	Air Inlet, Tilt Handle	6	Stop Button / Emergency Stop Switch
2	Engine Cover Latch	7	Tilt Support
3	Water Pump Indicator, Flushing Port	8	Clip and Lanyard Assembly
4	Carry Handle	9	Water Intake Screens
5	Anti-Corrosion Anodes	10	Steering Handle & Throttle



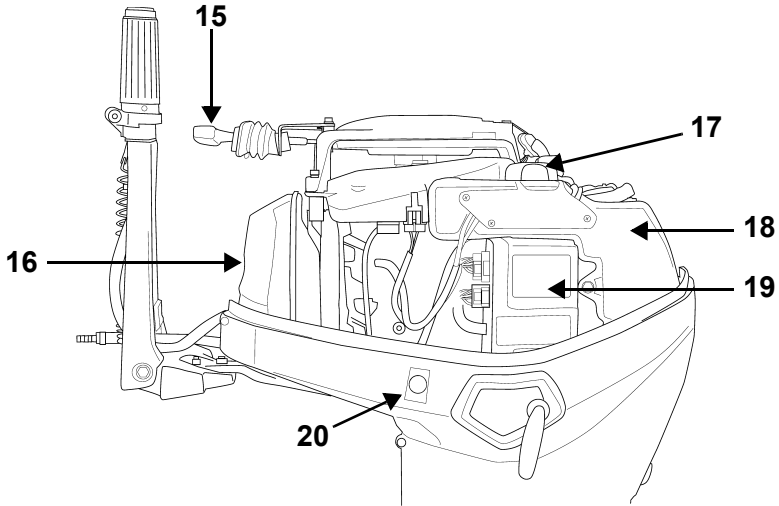
Item	Description	Item	Description
1	Air Inlet, Tilt Handle	6	Stop Button / Emergency Stop Switch
2	Engine Cover Latch	7	Tilt Support
3	Water Pump Indicator, Flushing Port	8	Clip and Lanyard Assembly
4	Carry Handle	9	Water Intake Screens
5	Anti-Corrosion Anodes	10	Steering Handle & Throttle

Using The Evinrude MFE Outboard

Starboard



Port



Item	Description	Item	Description
11	Fuel Filter	16	Air Silencer
12	Spark Plugs	17	Oil Fill Cap
13	Throttle Friction Screw	18	Oil Tank
14	Shift Lever	19	EMM (Engine Management Module)
15	Starter Handle	20	Fuel Selector Switch

FUEL AND OIL

FUEL REQUIREMENTS

WARNING

Gasoline is extremely flammable and highly explosive under certain conditions. Follow the instructions in this section explicitly. Improper handling of fuel could result in property damage, serious injury or death.

Leaking fuel is a fire and explosion hazard. All parts in the fuel system should be inspected frequently and replaced if signs of deterioration or leakage are found. Inspect the fuel system each time you refuel, each time you remove the engine cover and annually.

Follow these instructions to ensure safety when handling fuel:

- Always turn off the engine before fueling.
- Never permit anyone other than an adult to refill the fuel tank.
- Do not fill the fuel tank all the way to the top or fuel may overflow when it expands due to heating by the sun.
- Remove portable fuel tanks from the boat before fueling.
- Always wipe off any fuel spillage.
- Do not smoke, or allow open flames, or sparks or use electrical devices such as cellular phones in the vicinity of a fuel leak or while fueling.
- Always work in a well ventilated area.

Evinrude MFE models are designed to use several different fuel types. Refer to **Fuel Selector switch** on page 14.

Heavy Fuels

Approved heavy fuels include:

- JP5, JP8
- Jet A
- Kerosene

IMPORTANT: *Evinrude/Johnson XD100* outboard oil **MUST** be used when outboard is run on heavy fuels. **DO NOT** use Diesel DFM-

F76 or BioDiesel fuels. For combat emergency situations see **Emergency Fuel** on p. 13.

Gasoline

Use fresh, unleaded automotive gasoline with an octane rating equal to or higher than:

- 87 (R+M)/2 AKI, or 90 RON

Use unleaded gasoline that contains methyl tertiary butyl ether (MTBE) **ONLY** if the MTBE content does not exceed 15% by volume.

Alcohol-extended fuel is acceptable **ONLY** if the alcohol content does not exceed:

- 10% ethanol by volume; or
- 5% methanol with 5% cosolvents by volume.

Emergency Fuel

In a combat emergency when no other fuel is available, diesel DFM-F76 or BioDiesel can be used. Operating time should be limited to the duration of the combat emergency and the operator should return to operating on one of the approved fuels as soon as possible.

Idle and low speed operation (below 3000 RPM) should be avoided to prevent spark plug fouling when operating on diesel DFM-E76 or BioDiesel.

IMPORTANT: If the outboard **MUST** be run on diesel, it should then be run on gasoline for a minimum of 20 minutes to clean internal engine components.

Fuel Additives (gasoline only)

The only fuel additives approved for use are:

- *Evinrude/Johnson 2+4 Fuel Conditioner*
- *Evinrude/Johnson Fuel System Cleaner*

Use of other fuel additives can result in poor performance or engine damage.

Evinrude/Johnson 2+4 Fuel Conditioner will help prevent gum and varnish deposits and will remove moisture from the fuel system. It can be used continuously and should be used during any period when the outboard is not being operated on a regular basis.

Evinrude/Johnson Fuel System Cleaner helps keep fuel injectors in good condition.

FUEL SYSTEM OPERATION

WARNING

If engine is equipped with a quick-disconnect fuel hose, you **MUST** disconnect the fuel hose from the engine and the fuel tank to prevent fuel leaks:

- Whenever the engine is **NOT** being used
- Whenever the engine is being trailered
- Whenever the engine is in storage

NOTE: A small amount of fuel may be released when the fuel connector is disconnected.

Store portable fuel tanks in well-ventilated areas, away from heat sources and open flames. Close the vent screw of the fuel tank cap, if equipped, to prevent escape of fuel or fuel vapors which could accidentally ignite. Do not allow disconnected fuel hoses to leak fuel.

IMPORTANT: The minimum inside diameter of the fuel hose from the fuel tank to the outboard must be 3/8 in. (9 mm). Be sure the boat's fuel system provides adequate fuel to the outboard. Fuel systems with anti-siphon valves, filters or primer units may restrict fuel flow to the outboard and effect engine performance.

FUEL SYSTEM PRIMING



If the outboard is run out of fuel, refill the fuel tank and squeeze the primer bulb until firm. The high pressure fuel circuits and injectors will prime as the outboard is cranked with the starter.

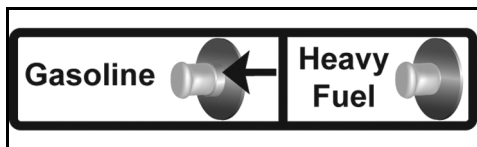
FUEL SELECTOR SWITCH

CAUTION

Operation with the fuel selector switch in the wrong position could cause internal engine damage not covered by the outboard's limited warranty

The *Engine Management Module (EMM)* includes programs allowing the engine to run on several types of fuel. You **MUST** select the correct program for the fuel being used. Refer to **Fuel Requirements** on p. 13.

- To use jet fuel, or kerosene, press the fuel selector switch **IN**.
- To use gasoline, pull the fuel selector switch **OUT** to expose the red indicator ring.



When switching from one fuel to another:

- Connect the fuel supply hose to the desired fuel supply.
- Adjust the selector switch on the port side of the outboard for the new fuel.
- Restart the engine to reset the *EMM*—changing the switch has no effect while the engine is running.
- The *EMM* calculates when the previous fuel remaining in the engine has been used and switches the program at that time.
- The engine may run noticeably rough during the transition period.

IMPORTANT: Diesel fuel should be used as an emergency fuel **ONLY**. If diesel fuel must be used, the fuel selector switch should be in the Heavy Fuel position. Refer to **Emergency Fuel** on p. 13.

OIL REQUIREMENTS



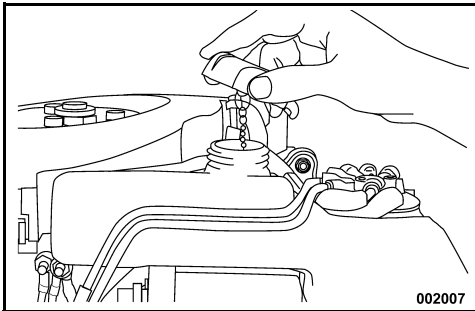
Evinrude/Johnson XD100 is the **ONLY** outboard oil recommended for use with *Evinrude MFE* outboards. *Evinrude/Johnson XD100* outboard oil **MUST** be used when outboard is run on heavy fuels. *Evinrude/Johnson XD100* oil **MUST** be used when operating in temperatures under 32°F (0°C).

In combat emergency if *Evinrude/Johnson XD100* oil is not available, you must use an oil that meets NMMA TC-W3 certification standards. Operating time should be limited to the duration of the combat emergency and the operator should return to operating on *Evinrude/Johnson XD100* as soon as possible.

IMPORTANT: Failure to follow oil specifications could void the engine warranty if a lubrication-related failure occurs.

FILLING THE OIL TANK

Remove the engine cover to access the oil tank. Remove the filler cap and fill the tank with the recommended outboard lubricant. The oil tank capacity is 2.0 quarts (1.9 liters)



Replace the filler cap and tighten securely. Reinstall the engine cover.

PRIMING THE OIL SYSTEM



The oiling system must be primed before using the outboard if:

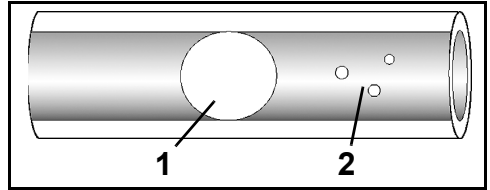
- The outboard is new;
- You run completely out of oil; or
- The outboard is laid down for transportation or storage.

If available, use the *Evinrude* Diagnostics Software program oil priming function for a minimum of 90 seconds.

If the diagnostics program is not available, prime the oiling system by using the winterization procedure. Refer to **Long-Term Storage (Winterization)** on page 33.

Observe oil flow through the oil distribution hoses.

Small bubbles are acceptable. Large bubbles must be eliminated through continued priming.



1. Large bubble
2. Small bubbles

OILING SYSTEM OPERATION

Break-In

New outboards are programmed to use additional oil during the first two hours of operation above 2000 RPM. No other action is required by the operator.

IMPORTANT: DO NOT add oil in the fuel tank.

NO OIL Warning System

When the level in the oil tank falls below one-quarter:

- The *EMM* interrupts the ignition once per 50 engine revolutions to signal the operator.

The *EMM* then calculates remaining oil level based on oil pump pulse cycles. When it determines the oil has been used, the *EMM*:

- Limits engine speed to 2500 RPM.

To recover from NO OIL mode, stop the outboard and add oil to tank. The warning resets after the pump cycles for a minimum of three pulses with the oil level above one-quarter.

OPERATION

SAFETY INFORMATION

⚠ WARNING

DO NOT run the engine indoors or without adequate ventilation or permit exhaust fumes to accumulate in confined areas. Engine exhaust contains carbon monoxide which, if inhaled, can cause serious brain damage or death.

⚠ DANGER

Contact with a rotating propeller is likely to result in serious injury or death. Assure the engine and prop area is clear of people and objects before starting engine or operating boat.

⚠ WARNING

Do not allow anyone near a propeller, even when the engine is off. Blades can be sharp and the propeller can continue to turn even after the engine is off. Always shut off the engine when near people in the water.

⚠ WARNING

The engine cover is a machinery guard. **DO NOT** operate your outboard with the cover off unless you are performing maintenance or emergency starting, and then be careful to keep hands, hair, and clothing clear of all moving parts. Contact with moving parts could cause injury.

⚠ Be familiar with the waters you are operating in. The gearcase of this outboard extends below the water surface and could potentially come in contact with underwater obstructions. Contact with underwater obstructions may result in loss of control and personal injury.

ENGINE STARTING

Before starting the outboard:

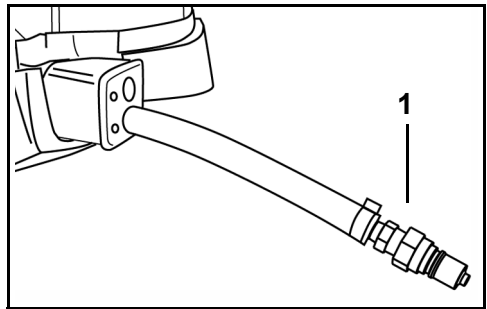
- Check fuel and oil levels
- Make sure fuel selector switch is in the correct position for the fuel being used.
- Move the tilt/run lever to the RUN position

NOTICE You **MUST** supply water to the engine before starting. Water pump damage can occur in just a few seconds.

Be sure the water intake screens are below the water surface.

Connection the Fuel Hose

Connect the fuel hose to fuel connector.



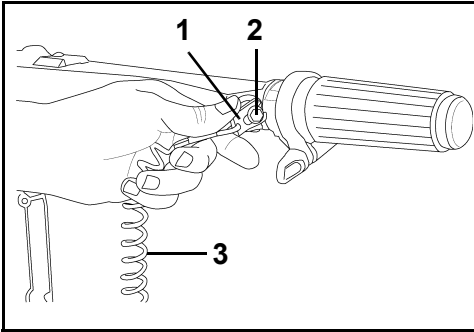
1. Fuel connector

If equipped, open vent screw on fuel tank cap. Squeeze fuel primer bulb, outlet end up, until firm.

Emergency Stop Switch

Connect the clip to the emergency stop switch. Snap the lanyard to a **secure** place on the operator's clothing or life vest — not

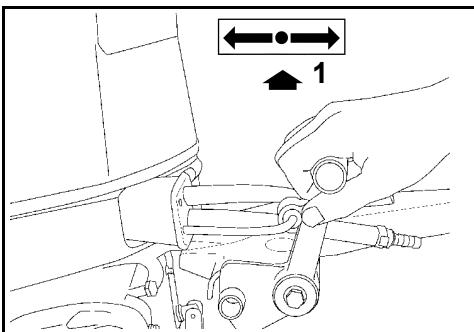
where it might tear away instead of activating the stop switch.



1. Clip
2. Emergency stop clip / key switch
3. Lanyard

! WARNING
Always use the safety lanyard when operating your boat to help prevent a runaway boat and reduce the risk of personal injury or death.

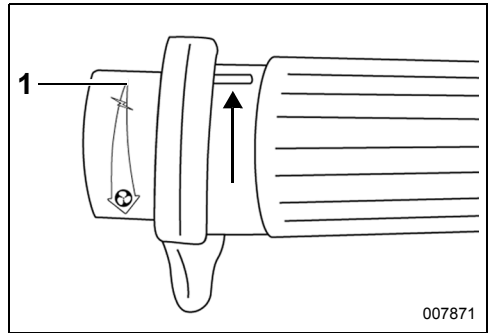
Move the shift lever to NEUTRAL. Refer to **Shifting and Speed Control** on page 20. The engine will NOT start in gear.



1. NEUTRAL

! WARNING
Always shift to NEUTRAL before starting the outboard to prevent sudden boat movement, which can cause injury.

Twist throttle grip to **slowest** idle position.

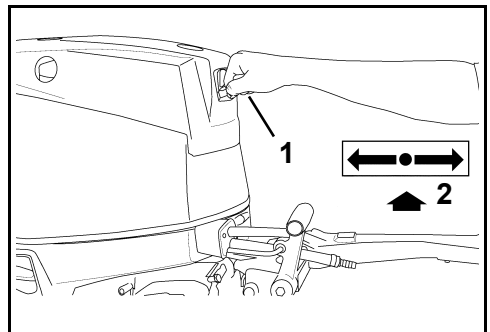


1. Slowest idle position

! DO NOT move the throttle from the slowest position until the engine starts. Advancing the throttle before starting sends the wrong signal to the Engine Management Module (EMM) and will cause starting or running problems—the outboard may not accelerate above idle.

While seated, pull starter handle slowly until starter engages, then pull hard. Short or slow pulls may not provide enough energy to start the engine.

Repeat, if needed, until outboard starts. To prevent damage to starter assembly, allow starter cord to rewind before releasing starter handle.

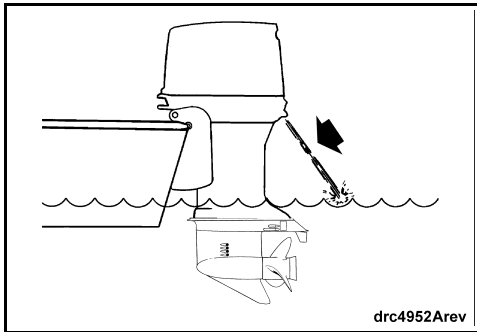


1. Starter handle
2. NEUTRAL

If the outboard does not start, refer to **Troubleshooting** on page 35.

After Engine Starts

Check the water pump indicator. A steady stream of water indicates the water pump is working. If a steady stream of water from the water pump indicator is not visible, stop the engine. Refer to **Engine Overheating** on page 24.

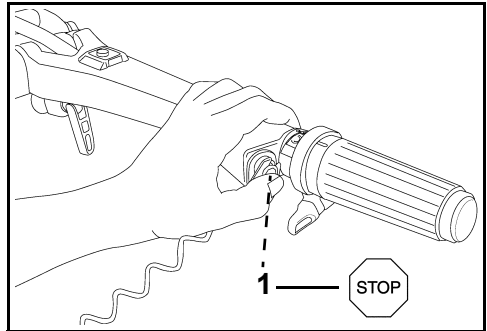


ENGINE STOPPING

Slow engine to IDLE speed.

Move shift lever to NEUTRAL.

Press the STOP button until the outboard stops running.

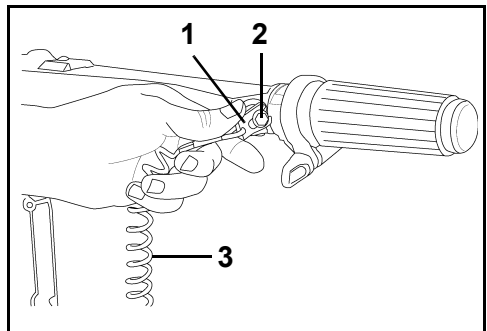


1. STOP button

Emergency Stop Switch

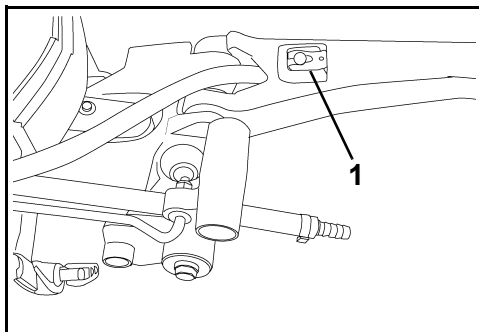
The emergency stop switch is on the steering handle. Use of the emergency stop feature is highly recommended on all boats.

Connect the clip to the emergency stop switch. Snap the lanyard to a **secure** place on the operator's clothing or life vest — not where it might tear away instead of activating the stop switch. Disconnecting the clip and lanyard will stop the engine and prevent the boat from becoming a runaway if the driver moves beyond the range of the lanyard. If the lanyard is too long, it can be shortened by knotting or looping it. **DO NOT** cut and retie the lanyard.



1. Clip
2. Emergency stop clip / key switch
3. Lanyard

An extra clip is provided on the tiller handle. If the operator is thrown from the boat, another person can insert the extra clip in the stop switch and start the outboard.



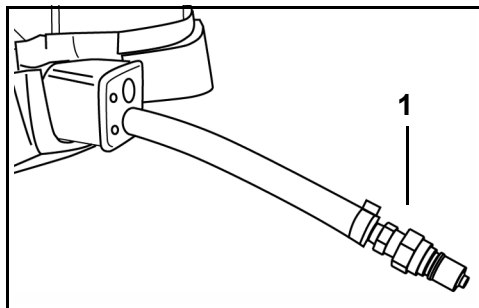
1. Extra clip

⚠ WARNING
Always use the safety lanyard when operating your boat to help prevent a runaway boat and reduce the risk of personal injury or death.

⚠ WARNING
Avoid knocking or pulling the clip off the stop switch while under way. The resulting unexpected loss of forward motion can throw occupants forward, causing injury.
Keep the lanyard free from obstructions and entanglements.
At each outing, test the system's operation. With the engine running, remove the clip from the switch by pulling the lanyard. If the engine does not stop running, the stop switch must be serviced.

Disconnection the Fuel Hose

Disconnect the fuel hose to fuel connector.



1. Fuel connector

If equipped, close vent screw on fuel tank cap.

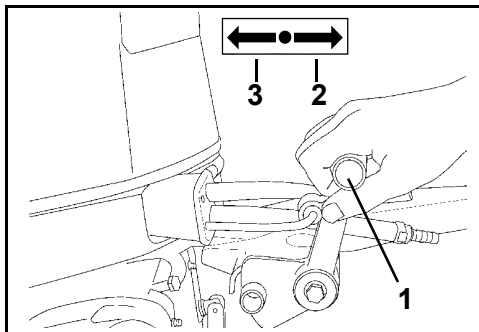
SHIFTING AND SPEED CONTROL

NOTICE Carefully check the function of all control and engine systems before leaving the dock. DO NOT shift the engine into FORWARD or REVERSE while it is shut off.

Shifting

With engine running, twist the throttle grip to SHIFT or slower.

Move the shift lever with a firm, quick motion to FORWARD or REVERSE.



1. Shift lever
2. FORWARD
3. REVERSE

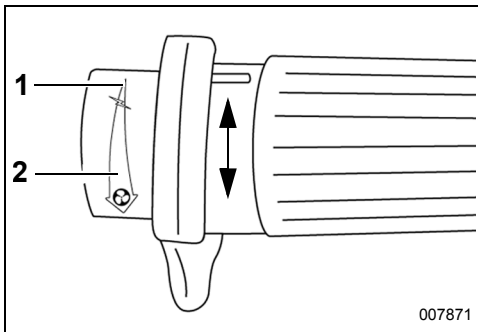
! WARNING

Do not operate the outboard in REVERSE with the tilt/run lever in TILT. The outboard may tilt out of the water, resulting in loss of control.

IMPORTANT: When shifting from FORWARD to REVERSE or from REVERSE to FORWARD, pause at NEUTRAL until the engine is at idle speed and the boat has slowed.

Speed Control

With the outboard running, turn the Twist Grip throttle control on the steering handle to change engine speed.



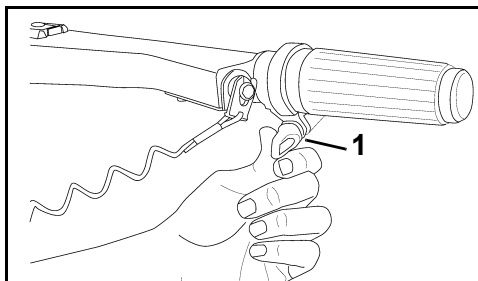
1. Decrease speed
2. Increase speed

Throttle Friction

Adjust the throttle friction knob to reduce the effort required to hold a throttle setting.

! WARNING

Tighten knob only enough to hold throttle at a constant engine speed. Overtightening will prevent quick throttle changes in case of emergency.



1. Throttle friction screw

Fuel Economy

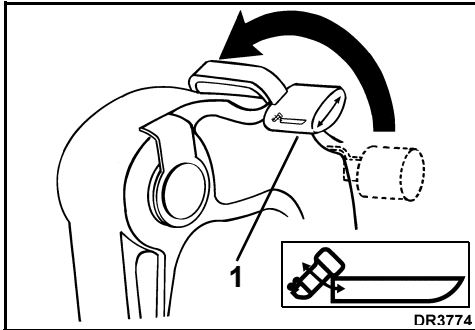
Fuel economy can vary depending on boat load, hull design, and throttle setting. When boat reaches top speed, throttle back from FULL SPEED to a lower throttle setting. You will save fuel with a minimal loss of speed.

TILTING

IMPORTANT: Use the tilt grip to tilt the outboard. Do not use the tiller handle as a lever.

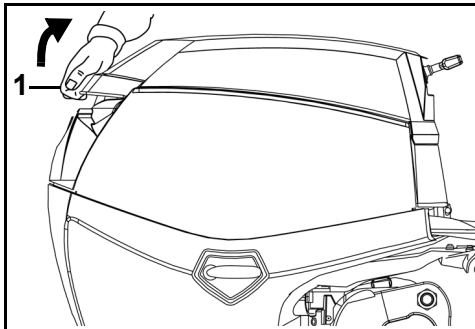
Tilt UP

Move tilt/run lever to TILT position.



1. TILT position

Grasp tilt strap or tilt grip on engine cover and tilt outboard to the full tilt position.



1. Tilt grip

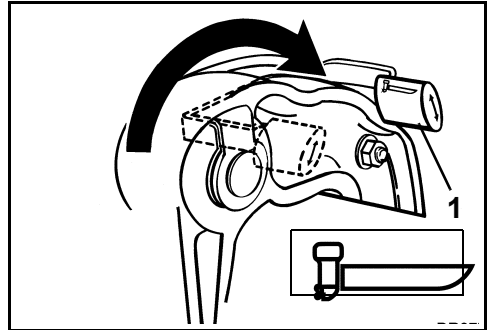
Tilt support will automatically engage.

⚠ WARNING

While outboard is tilted, leave tilt lever in the TILT position. When the tilt/run lever is in the RUN position, tilt support can release unexpectedly and allow outboard to drop, creating a risk of serious personal injury or loss of control.

Tilt DOWN

Move tilt/run lever to RUN position.



1. RUN position

Grasp tilt grip on engine cover and raise outboard slightly.

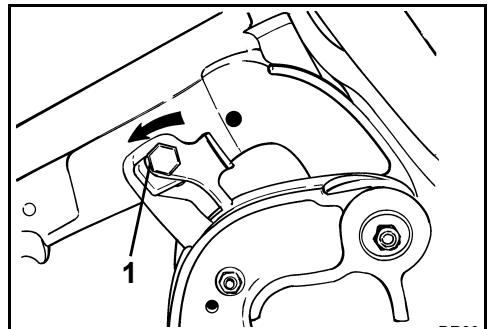
Tilt support will automatically disengage.

Slowly lower outboard to its normal operating position.

TILT SUPPORT BRACKET

Engage

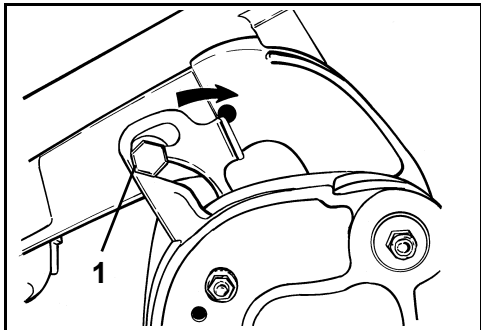
Raise the outboard to full TILT position. Push tilt support bracket to "lock" position.



1. Tilt support bracket – lock position

Disengage

Move tilt/run lever to RUN position. Tilt outboard fully and pull tilt support bracket to “unlock” position. Lower outboard.



1. Tilt support bracket – unlock position

TRAILERING

Trailer your boat with the outboard in a vertical position. If your trailer does not provide adequate road clearance, support the outboard with an accessory trailering bracket.

IMPORTANT: The outboard must be restrained when trailering. Bouncing during transport may damage the outboard and the boat's transom.

IMPORTANT: Use of the tilt support bracket when trailering may cause damage to the outboard.

TRIM ANGLE ADJUSTMENT

! WARNING

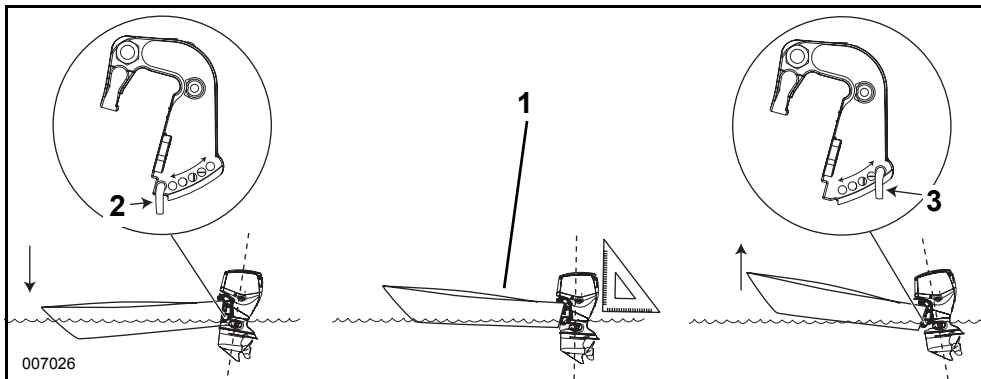
Boat stability and steering torque can vary due to changing water conditions. If any adverse conditions occur, reduce throttle and/or adjust tilt angle to maintain control. If you experience boat instability and/or high steering torque, the outboard must be serviced to correct these conditions.

If the bow of the boat plows the water at high speeds, the boat may bow steer or spin suddenly, possibly ejecting or otherwise seriously injuring occupants.

The outboard should be perpendicular to the water when the boat is under way at full speed. This adjustment can only be determined by water testing the boat. Set angle adjustment for best performance with your normal load.

Place the outboard in full TILT position. Refer to **Tilt Support Bracket** on page 21.

- Turn the angle adjusting rod handle up. Push in against spring so retainer will release, then slide rod assembly all the way out.
- Insert rod in desired position. Make sure rod passes through both stern brackets.
- Push in against spring and turn rod handle down. Make sure the retainer dropped into lock position.



1. Parallel to the surface of the water
2. Tilt pin, DOWN
3. Tilt pin, UP

IMPACT DAMAGE PROTECTION

Your outboard has a shock absorption system designed to help withstand damage from impact with underwater objects at low to moderate speeds.

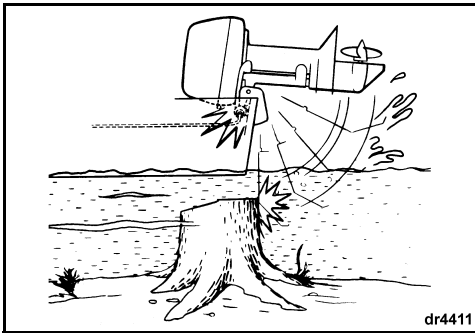
High speed impacts with rigid underwater objects like pilings or boulders can be beyond the capability of the absorption system.

Such impacts can result in serious damage to your outboard and injury to boat occupants from the outboard or its parts entering the boat. Occupants can also be ejected or injured by falling against portions of the boat as a result of rapid deceleration following impacts.

When boating in unfamiliar, shallow, or debris-laden waters, seek information on safe boating areas and navigation hazards from a reliable local source.

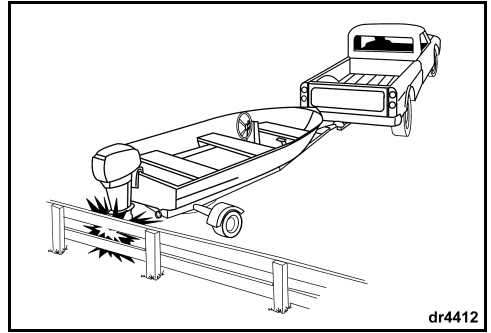
Reduce your speed and keep a sharp lookout!

IMPORTANT: Impact damage is NOT covered by the outboard warranty.



NOTICE The outboard's shock absorption system does not work while operating in reverse. If you back into an object, either in the water or while trailering, your

boat and outboard can be seriously damaged.



If you hit any object:

- STOP immediately and examine the outboard for loosening of attaching hardware.
- INSPECT for damage to swivel and stern brackets, and steering components.
- EXAMINE the boat for structural damage.
- TIGHTEN any loosened hardware.

If the collision occurred in the water, proceed slowly to harbor. Before boating again, thoroughly inspect all components.

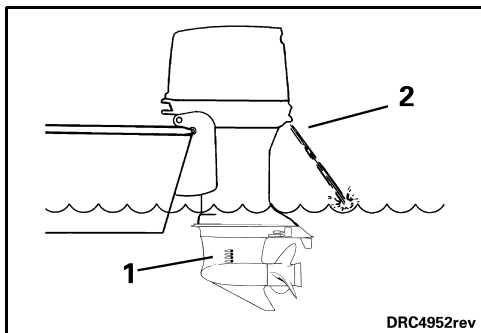
⚠ WARNING

Failure to inspect for damage after an accident or striking an object could result in sudden, unexpected component failure, loss of boat control, and personal injury. Unrepaired damage could reduce your boat and outboard's ability to resist future impacts.

ENGINE OVERHEATING

IMPORTANT: Do not run your outboard without supplying water to it. Refer to **Flushing** on page 32. Water pump damage can occur in just a few seconds.

While boating, the outboard's water intakes must stay completely submerged and unobstructed. Observe proper transom height and tilt angle. While the outboard is running, the outboard's water pump indicator must discharge a steady stream of water. Check the indicator often, especially when operating in weeds, muddy and debris-laden water, and at extreme trim angles.



1. Water intake screens
2. Water pump indicator

If the engine overheats:

- The *EMM* interrupts the ignition once per 50 engine revolutions to signal the operator.
- If the temperature becomes critical, engine speed is limited to 2500 RPM.

The protection system must be **RESET** before the engine will operate normally.



To **RESET** the system:

- The engine must be shut off and the correct operating temperature restored.

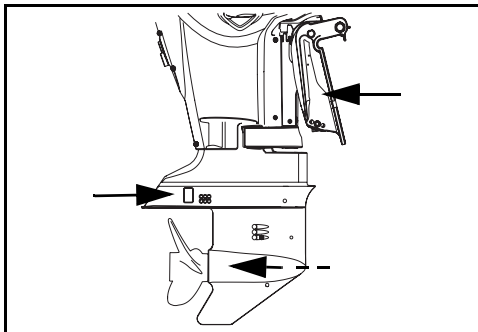
IF the overheat warning mode activates or the water pump indicator stream becomes intermittent or stops, stop the engine and:

- 1) Clean the intake screens of any blockage.
- 2) Clean the water pump indicator of any blockage.
- 3) Restart the engine and run at idle.

IF cleaning the screens and indicator *does not* restore the indicator stream, return to harbor as soon as possible.

ANTI-CORROSION ANODES

The outboard is equipped with one or more anodes that protect it from galvanic corrosion. Disintegration of the anode is normal and indicates it is working. Check each anode periodically. Replace anodes smaller than 2/3 their original size. Additional anodes may be required depending on engine application and environmental conditions. See your Dealer for replacement anodes.



Galvanic corrosion destroys underwater metal parts and can occur in fresh or salt water; however, salt, brackish, and polluted waters will accelerate corrosion.

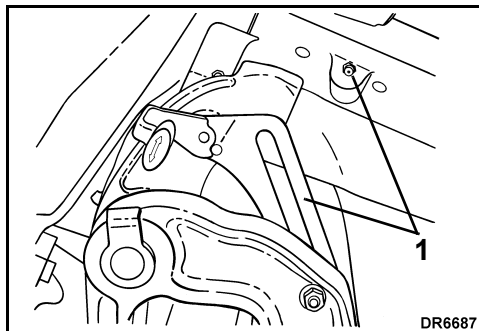
Metal-based antifouling paint on the boat or outboard and the use of improperly installed shore power in the area of your moored boat will also accelerate corrosion.

IMPORTANT: NEVER paint the anode, its fasteners, or its mounting surface. Painting will reduce its corrosion protection.

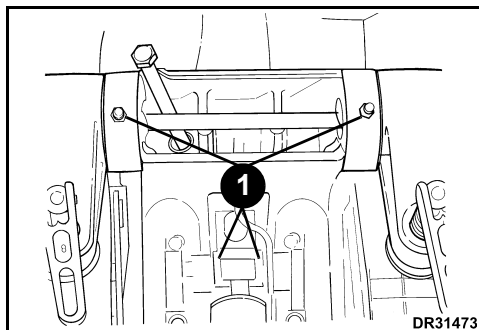
SALT WATER

Upon removal from salt water, leave outboard in a vertical position until its cooling system has drained. During long periods of mooring, tilt the gearcase out of the water, except in freezing temperatures. Flush the outboard, if desired. Refer to **Flushing** on page 32.

Salt Water Lubrication Points



1. Tilt lever, tilt lever shaft, and swivel bracket lubrication points (annually)



1. Tilt tube lubrication points (annually)

weeds from propeller area and water intakes before operating at higher speed.

⚠ WARNING

When servicing the propeller, always shift the outboard to NEUTRAL and remove the clip and lanyard so the engine cannot be started accidentally.

WEEDY WATER

Weeds block water intakes and may cause your outboard to overheat. Weeds on the propeller create vibration and reduce boat speed.

When operating in weedy water, run at slow speeds and in REVERSE frequently to clear weeds from the propeller and water intakes. Check the water pump indicator often.

If REVERSE operation does not clear away weeds, SHUT OFF the engine. Remove

HIGH ALTITUDE

The outboard's *EMM* will automatically compensate for changes in altitude. However, if you boat above 3000 ft. (900 m), you will experience a slight loss of power due to reduced air density.

If the engine drops below the recommended RPM operating range at full throttle, select a lower pitch propeller.

If you return to sea level, install the original propeller and verify correct RPM operating range.

FREEZING WEATHER

IMPORTANT: When operating in conditions under 32°F (0°C), *Evinrude/Johnson XD100* oil **MUST** be used.

During operation in freezing weather, keep the gearcase submerged at all times.

Upon removing your outboard from the water, leave it in a vertical position until its cooling system is drained. Store the outboard vertically.

WARNING

Water remaining in the gearcase, cooling system or other components can freeze, causing serious engine damage.

SHALLOW WATER

Gearcase damage can occur if the gearcase is allowed to drag on the waterway bottom. Use caution when operating in shallow water.

IMPORTANT: Impact damage is **NOT** covered by the outboard warranty.

TOWING

Should you require a tow from another boat:

- Shift the engine to **NEUTRAL**;
- Tilt its gearcase out of the water;
- Move all persons into another boat; and
- Keep speed slower than planing speed.

FUSE

The engine harness fuse does not affect normal operation of the outboard. However, a working fuse is required for communication with diagnostic software during test procedures.



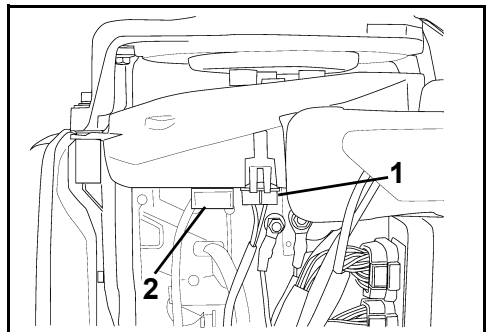
On outboards equipped with an accessory electric starter, a blown fuse will not allow the starter to operate. Replace it with a fuse of the same rating. A spare fuse is provided.

Repeated fuse failures indicate a potentially serious problem. Do not replace it with higher rated fuse; the outboard must be serviced.

Fuse Replacement

IMPORTANT: Use only fuses of the same rating. The outboard uses a 10-amp fuse.

Remove engine cover. Install spare fuse in place of failed fuse.



1. Fuse
2. Spare fuse

SUBMERSION AND RECOVERY

The *MFE* outboard is NOT a submersible engine. However, due to the extreme operating conditions this engine may experience, a crankcase drain system has been provided to allow the engine to be de-watered should submersion occur during deployment or accidental rollover.

This system allows the operator to quickly remove water and re-start the engine in an emergency situation. In most cases the engine can be returned to normal operation without damage.

Submersion of the outboard should be avoided if possible. Damage could occur to the engine wiring harness and water could contaminate the oiling system. Extended submersion, particularly in salt water, could result in corrosion of internal components such as piston rings, cylinder sleeves, and bearings.

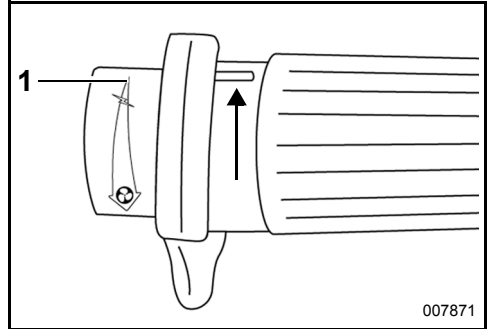
Once an outboard has been submerged in fresh or salt water, it must be serviced and started within three (3) hours of recovery. Immediate service can minimize the corrosive effect that air has on the polished surfaces of the crankshaft, connecting rods, and internal powerhead bearings.

IMPORTANT: If the outboard cannot be started or serviced immediately, it should be re-submerged in fresh water to avoid exposure to the atmosphere.

DE-WATER PROCEDURE

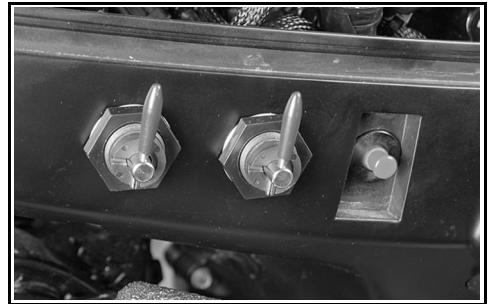
Place shift lever in **NEUTRAL** and remove the emergency stop clip and lanyard.

Twist throttle grip to **slowest** idle position.



1. *Slowest idle position*

Turn the drain valves forward to the **DRAIN** position.



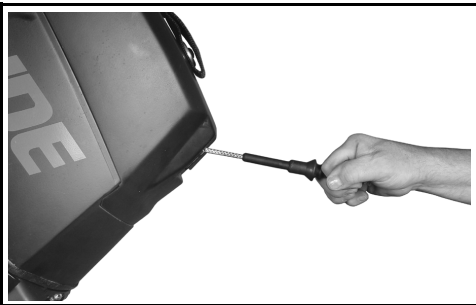
Tilt outboard to the full tilt position and turn so the drain valves are on the lowest side.

! CAUTION

To avoid outboard falling during de-water procedure, tilt/run lever **MUST** remain in the **TILT** position.

Using The Evinrude MFE Outboard

Pull starter handle slowly until starter engages. Continue pulling with firm pressure to force water out of the engine.



When the engine begins to turn freely, pull an additional 8-20 times. This will help drain water that might be trapped in the cylinders.

Tilt outboard to the normal running position.

Replace emergency stop clip and lanyard.

Squeeze primer bulb several times until definite resistance is felt.

With twist grip in the slowest position, pull starter handle to start engine.

After engine has run at IDLE speed for 30-60 seconds, turn drain valves to the RUN position.



IMPORTANT: DO NOT run the outboard with the drain valves in the DRAIN position more than 3 minutes. Engine damage can result.

Continue to run under normal operating conditions (boat on plane) for at least 30 minutes (2500 RPM or above).

IMPORTANT: You **MUST** run the outboard after the de-water procedure to dry out internal moisture.

Stop engine and run the **Winterizing Procedure** on p. 33.

POST-SUBMERSION SERVICING

When an outboard has been submersed, it **MUST** be serviced before storage.

If the outboard has been in salt water:

- Run the engine for approximately five minutes in fresh water at full operating temperature. Refer to **Flushing** on p. 32.
- Spray the entire engine with fresh water to remove salt deposits.

After five submersions, the flywheel must be removed and the valley between the crankshaft and the stator windings must be cleaned.

PROLONGED SUBMERSION

Prolonged submersion, or submersion at depths beyond several feet may cause engine damage.

If prolonged submersion occurs, even if the engine can be started, the engine must be disassembled and cleaned.

DO NOT attempt to start the outboard if sand or silt may have entered the engine. Disassemble and clean.

MAINTENANCE

ENGINE EMISSIONS INFORMATION

Maintenance, replacement, or repair of the emission control devices and systems may be performed by any marine SI (spark ignition) engine repair establishments or individual.

Manufacturer's Responsibility

Beginning with 1999 model year outboards, manufacturers of marine engines must determine the exhaust emission levels for each engine horsepower family and certify these outboards with the United States of America Environmental Protection Agency (EPA). An emissions control information label, showing emission levels and engine specifications, must be placed on each outboard at the time of manufacture.

Dealer's Responsibility

When performing service on all 1999 and more recent *Evinrude* outboards that carry an emissions control information label, adjustments must be kept within published factory specifications.

Replacement or repair of any emission related component must be executed in a manner that maintains emission levels within the prescribed certification standards.

Dealers are not to modify the outboard in any manner that would alter the horsepower or allow emission levels to exceed their predetermined factory specifications.

Exceptions include manufacturer's prescribed changes, such as altitude adjustments, for example.

Owner Responsibility

The owner/operator is required to have engine maintenance performed to maintain emission levels within prescribed certification standards.

The owner/operator is not to, and should not allow anyone to, modify the engine in any manner that would alter the horsepower or allow emissions levels to exceed their predetermined factory specifications.

Tampering with the fuel system to change horsepower or modify emission levels beyond factory settings or specifications will void the product warranty.

EPA Emission Regulations

All new 1999 and more recent *Evinrude* outboards manufactured by BRP are certified to the EPA as conforming to the requirements of the regulations for the control of air pollution from new watercraft marine spark ignition engines. This certification is contingent on certain adjustments being set to factory standards. For this reason, the factory procedure for servicing the product must be strictly followed and, whenever practicable, returned to the original intent of the design. The responsibilities listed above are general and in no way a complete listing of the rules and regulations pertaining to the EPA requirements on exhaust emissions for marine products. For more detailed information on this subject, you may contact the following locations:

VIA U.S. POSTAL SERVICE:

Office of Mobile Sources
Engine Programs and Compliance Division
Engine Compliance Programs
Group (6403J)
401 M St. NW
Washington, DC 20460

VIA EXPRESS or COURIER MAIL:

Office of Mobile Sources
Engine Programs and Compliance Division
Engine Compliance Programs
Group (6403J)
501 3rd St. NW
Washington, DC 20001

EPA INTERNET WEB SITE:

www.epa.gov

MAINTENANCE SCHEDULE

Routine inspection and maintenance is necessary to prolong outboard life. The following chart provides guidelines for inspection and maintenance.

IMPORTANT: Outboards used in high hour applications require more frequent inspections and maintenance. Adjust schedule for operating and environmental conditions.

Description		Every 100 Hours or Annually	Every 300 Hours or 3 Years ⁽¹⁾
Electrical and ignition wires, inspect for wear or chafing			✓
Engine to transom mounting hardware, re-tighten (40 ft. lbs.)			
Fasteners, inspect any loosened components			✓
Fuel and oil system components, inspect and repair leaks			✓
Fuel filter, replace		✓	
Gearcase lubricant, replace ⁽¹⁾	A		✓
Grease fittings, lubricate ⁽²⁾	B		✓
Propeller shaft splines, inspect and lubricate ⁽²⁾	B		✓
Spark plugs, inspect and replace if necessary		✓	
De-carbon engine - required for "heavy fuel" use	C	✓	
Steering handle, inspect and lubricate	B		✓
Thermostats, inspect ⁽²⁾			✓
Throttle cable, inspect and adjust			✓
Water pump, inspect or replace if necessary			✓

(1) Average use. Heavy use, or use in salt or polluted water requires more frequent inspection and maintenance (annual checks are recommended).

(2) Annually in salt water applications – Refer to **Salt Water Lubrication Points** on page 25

- A.** *HPF Pro Gearcase Lubricant*
- B.** *Triple-Guard Grease*
- C.** *Evinrude/Johnson Engine Tuner*

STORAGE

⚠ DANGER

DO NOT run the engine indoors or without adequate ventilation or permit exhaust fumes to accumulate in confined areas. Engine exhaust contains carbon monoxide which, if inhaled, can cause serious brain damage or death.

You must protect against natural environmental conditions that can be damaging to an outboard. The warranty does not cover engine failure caused by these conditions.

Temperature and humidity changes during storage period can cause corrosion of internal engine components.

Winterization prepares the outboard for long-term off-season storage. During winterization, extra oil is used to coat internal engine components. Refer to **Long-Term Storage (Winterization)** on page 33.

Stabilize the fuel supply (gasoline). Fuel remaining in the fuel tank can oxidize, resulting in loss of octane and fuel system deposits.

Use *Evinrude/Johnson 2+4 Fuel Conditioner* to prevent gum and varnish deposits from forming in fuel system components. Refer to **Fuel Additives (gasoline only)** on page 13.

⚠ WARNING

Prevent injury from moving engine components. Before starting the outboard:

- Shift it to **NEUTRAL**.
- Keep hands, clothes, and hair clear of powerhead.
- Remove the propeller.

Store fuel tanks in a well-ventilated area, away from heat and open flame. Prevent escape of liquid or vapors which could accidentally ignite. Close filler cap vent screws (if equipped) and be sure any disconnected fuel hoses do not drip.

TRANSPORTING THE OUTBOARD

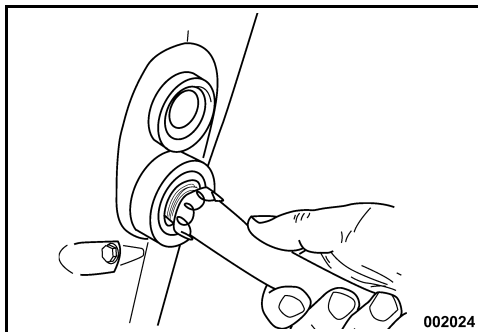


If the outboard is laid down for transportation or storage, the oiling system must be primed before reusing the outboard. Refer to **Priming the Oil System** on page 15.

FLUSHING

If desired, the outboard can be flushed after each use on a trailer or at dockside while it is vertical. It is **not** necessary to run the engine.

- 1) Place the outboard in an area with good drainage.
- 2) Connect garden hose to flushing port.
- 3) Turn on the water. Keep water pressure between 20 to 40 psi (140 to 275 kPa).



- 4) Leave the outboard in vertical position long enough to completely drain the powerhead.

IMPORTANT: If you cannot store the outboard in the recommended vertical position, be sure the cooling system is drained completely. Never place the gearcase higher than the powerhead. Any water remaining in the exhaust passages can run into the cylinders and cause serious damage.

SHORT-TERM STORAGE

Between uses, store your outboard in a vertical position to allow the cooling system to drain completely.

LONG-TERM STORAGE (WINTERIZATION)

! WARNING

Outboard must be in **NEUTRAL** before performing winterization. Starting outboard in gear can cause personal injury.

If winterizing on a trailer, the propeller must be removed before performing procedure. Failure to remove propeller can cause personal injury or death.

Winterization prepares your outboard for long-term off-season storage. During winterization, the engine is “fogged” and extra oil is used to coat internal engine components.

Winterization requires a specific process of steps.

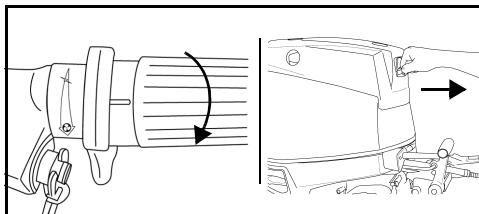
Preparation

Your outboard can be winterized in the water. **If winterizing in water**, make sure the water intake screens are completely submerged.

- 1) If using gasoline, stabilize the engine’s fuel supply. Add *2+4 Fuel Conditioner* following instructions on container. Fill fuel tank.
- 2) **If winterizing on a trailer**, remove the propeller. Attach a garden hose to flushing port and turn on the water. Refer to **Flushing** on page 32.
- 3) Outboard **must** be in **NEUTRAL**, and shift linkage must be in **NEUTRAL** position at all times during winterization procedure.

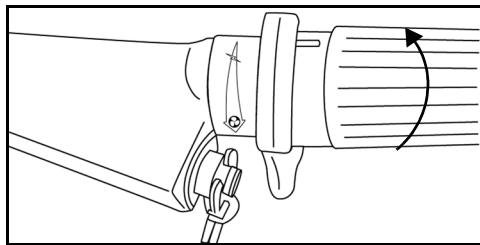
Winterizing Procedure

- 1) Advance throttle grip to **HALF THROTTLE** position. Start the outboard. Outboard runs at slow idle speed.



Tiller Control – Typical

- 2) After outboard runs for about 15 seconds, move throttle grip to **IDLE** position. Outboard continues to run at slow idle speed.



- 3) After outboard runs for another 15 seconds, advance throttle grip to **HALF THROTTLE** position. Outboard will accelerate to fast idle speed and fog itself.
- 4) Allow outboard to run until it shuts itself **OFF** automatically (less than one minute).

Winterization is complete when outboard shuts itself off.

- **If the outboard DOES NOT shut itself off**, you may not have properly advanced throttle grip.
- **If the engine exceeds 3000 RPM**, the outboard may have been shifted into gear. In either event, immediately press **STOP** button to turn outboard **OFF** and re-start the procedure.

After Winterization

- 1) After the outboard shuts itself off, remove emergency stop clip / key switch. Do not start the outboard again after winterization is completed.
- 2) **If winterizing on a trailer**, turn off water and detach garden hose. Grease propeller shaft splines with recommended lubricant, and re-install propeller.

IMPORTANT: When winterizing is finished, leave the outboard in vertical position long enough to completely drain the powerhead.

- 3) Top off oil tank.



Extra engine oil is used during the winterization procedure. Some excess oil may appear on the skeg below the gearcase area. **This is normal.**

Avoid potential oil stains by placing a shop towel or suitable container under the propeller and skeg for the duration of the storage.

PRE-SEASON CHECK

Remove your outboard from storage and prepare it for a season of reliable service by performing a general check and a few preventive maintenance procedures.

Examine all loosened or removed hardware. Replace damaged or missing parts with *Evinrude/Johnson Genuine Parts* or equivalent. Check the gearcase for leakage. If leakage is evident, the gearcase seals should be replaced.

IMPORTANT: Gearcase lubricant is **thick and clear**. Do not confuse this with engine oil, which may normally appear on the skeg after performing the long-term (winterization) storage procedure.

Anticorrosion anodes — Check condition. Refer to **Anti-Corrosion Anodes** on page 24.

IMPORTANT: Do not run your outboard—even for a brief start-up—without supplying water to it. Water pump damage can occur in just a few seconds.

Following **Engine Starting** on page 16, start the outboard. If the outboard was winterized, it may smoke briefly on the first start of the season. Let it idle while you:

Observe running quality. If poor, refer to **Troubleshooting** on page 35.

Confirm water pump operation. Water must flow from the water pump indicator in a steady stream. If it does not, shut off the outboard and investigate. Refer to **Engine Overheating** on page 24.

Stop the outboard and check the fuel system for leaks.

SPARK PLUGS

WARNING

The ignition system presents a serious shock hazard. Use caution to avoid injury from shock or injury resulting from your reaction to shock. Do not handle primary or secondary ignition components while the engine is cranking or running.

Spark plugs should be serviced by qualified personnel. Incorrect spark plug maintenance can lead to engine damage.

IMPORTANT: Replacement spark plugs **MUST** be installed following the indexing procedure in the service manual.

Marine Engine Duty Cycles

The International Council of Marine Industry Associations (ICOMIA) Standard No. 36-88 specifies a marine engine duty cycle based on documented studies. A duty cycle is a profile of engine running and usage. This duty cycle is used to determine average spark plug longevity and maintenance requirements for *Evinrude E-TEC* outboards.

ICOMIA Marine Engine Duty Cycle	
Engine Speed as Percentage of Rated Speed (RPM)	Time at Specified RPM (Percentage of total engine running time)
IDLE	40%
40%	25%
60%	15%
80%	14%
100%	6%

IMPORTANT: Some running profiles and conditions can lead to spark plug wear sooner than expected. Depending on your specific usage, the spark plug maintenance schedule may require adjustment.

WARNING

Failure to check for fuel leakage could allow a leak to go undetected, resulting in fire or explosion.

TROUBLESHOOTING

SYMPTOM	POSSIBLE CAUSE
Starter motor will not operate (If electric start kit installed)	<ul style="list-style-type: none"> • Shift handle not in NEUTRAL. • Fuse blown.
Engine will not start	<ul style="list-style-type: none"> • Shift handle not in NEUTRAL. • Emergency stop clip not in place. • Not following starting instructions. Refer to Engine Starting on page 16. • Fuel tank empty. • Fuel hose kinked. • Fuel system contaminated with water or dirt. • Fuel system not primed after running out of fuel. Refer to Fuel System Priming on page 14. • Fuel filter obstructed. • Throttle not at IDLE. Return throttle to IDLE. • Spark plugs incorrect. Refer to Spark Plugs on page 34. • Spark plugs improperly gapped, carboned, burned, or wet.
Engine will not idle properly	<ul style="list-style-type: none"> • Debris on propeller. • Spark plugs damaged or incorrect. Refer to Spark Plugs on page 34. • Fuel system contaminated with water or dirt.
Engine loses power	<ul style="list-style-type: none"> • Spark plugs damaged or incorrect. Refer to Spark Plugs on page 34. • The fuel selector switch may be in the wrong position. • Warning system may be activated. Check temperature and oil level. • Fuel filter obstructed. • Fuel system contaminated with water or dirt. • Water intakes obstructed and cooling system not operating correctly. Refer to Engine Overheating on page 24. • Oiling system malfunction. • Protection mode activated. Refer to Engine Overheating on page 24.
Engine runs, but makes little or no progress	<ul style="list-style-type: none"> • Propeller hub loose, slipping. • Propeller blades bent or missing. • Propeller shaft bent. • Propeller debris.
Warning system activates	<ul style="list-style-type: none"> • Refer to Engine Overheating on page 24.



PRODUCT INFORMATION

SPECIFICATIONS

55 MFE Models	
Displacement	52.7 cu. in. (864 cc)
Engine Type	In-line, 2 Cylinder, Two-Cycle, <i>Evinrude E-TEC</i>
Full Throttle Operating Range	5500 to 6000 RPM
Power ⁽¹⁾	55 HP (41 kw) @ 5750 RPM
Idle RPM in Gear	750 ± 50
Ignition Timing	<i>EMM</i> Controlled
Fuel Requirements	Heavy Fuels— JP5, JP8, Jet A, Kerosene Gasoline—87 Pump Posted AKI (90 RON) – Refer to Fuel Requirements on page 13
Oil – Lubricant – Capacity	<i>Evinrude/Johnson XD100</i> oil – Refer to Oil Requirements on page 15 2.0 qt. (1.9 l)
Spark Plug	Refer to Emissions Label on outboard
Fuses	Refer to Fuse on page 26
Fuel Filter	In-line Replaceable
Gearcase – Lubricant – Capacity	<i>Evinrude HPF Pro</i> 22 fl. oz. (650 ml)
Propeller	Refer to Propeller Selection on page 41
Weight	MRL – 250 lbs. (113 kg) MJRL – 270 lbs. (122 kg)
Sound at Driver's Ear (LpA) ICOMIA 39.94	76.8 dB(A) (MRL models)
Vibration at Tiller (arms)	Less than 2.5 m/s ²
Transom Height	19 1/2 to 20 in. (495 to 508 mm)

(1) Rated following the standards of ICOMIA 28.83, ISO 3046 and NMMA.

INSTALLATION

⚠ WARNING

The outboard must not exceed the maximum horsepower indicated on the boat's capacity plate. Such overpowering can cause loss of control. Contact the boat's manufacturer if your boat lacks a capacity plate.

Boats designed for remote-steered outboards might be overpowered by a tiller-steered outboard of the maximum rated horsepower. Refer to the boat manufacturer if you are unsure.

Incorrectly matched boat and outboard transom heights can cause boat instability and loss of control. Refer to Transom Height.

Prevent lateral movement and possible outboard loss by using the mounting hardware supplied or hardware of sufficient size, strength, and quality. Refer to Installing the Outboard on page 40.

A mounting surface that is damaged or too thin to support your outboard while underway might fail during operation, causing a loss of control. Be sure the boat's transom or mounting bracket is structurally sound and between 1 5/8 in. (41 mm) and 2 3/4 in. (70 mm) in thickness.

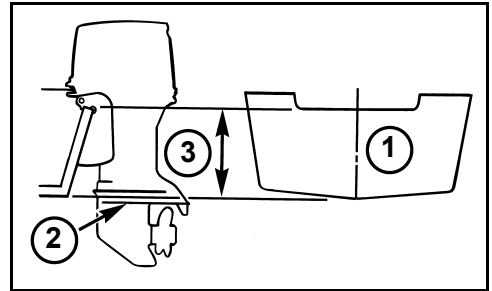
IMPORTANT: Use an appropriate hoist to lift the engine. Refer to **Specifications** on page 38 for engine weight.

TRANSOM HEIGHT

Make sure the transom height matches the length of the outboard to be installed.

- A 19 to 21 in. (48.3 to 53.3 cm) transom height uses a 20 in. (50.8 cm) shaft outboard.
- The shaft length of the outboard being installed should match the transom height of the boat.

Determine transom height by measuring from the top edge of the transom, along the centerline.



1. Centerline
2. Antiventilation plate
3. Transom Height

Boat performance depends on outboard mounting height.

Generally, the anti-ventilation plate of the gearcase should align with the bottom of the hull.

Test outboard and boat performance at different heights until the best performance is achieved.

IMPORTANT: Be sure that outboard water pressure is not adversely affected by the mounting height of the outboard.

INSTALLING THE OUTBOARD

! WARNING

The outboard must be correctly installed. Failure to correctly install the outboard could result in serious injury, death or property damage.

IMPORTANT: The outboard warranty will not cover product damage or failure that results from incorrect outboard installation.

! WARNING

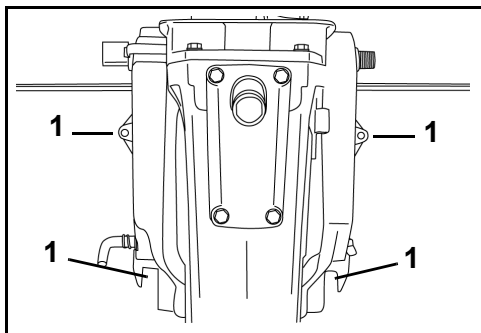
Even if equipped with clamp screws, the outboard must be bolted to the boat to prevent it from “working off the transom” during operation.

Use Transom Mounting Kit, P/N 394219, to prevent loss of outboard. The kit includes a transom mounting plate and hardware for fastening outboard to transom.

Center the outboard on the transom (or mounting bracket) and tighten clamp screws by hand.

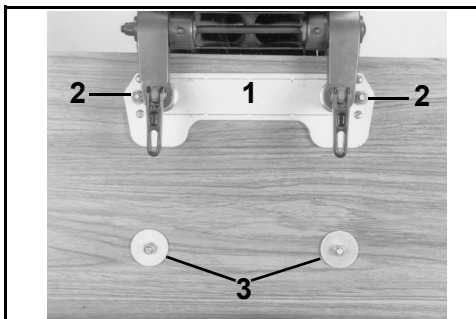
Use the outboard stern brackets as a template for location and size of holes to drill in the transom.

Use each stern bracket's mounting holes as a guide to drill four 11/32 in. (8.7 mm) holes through the transom.



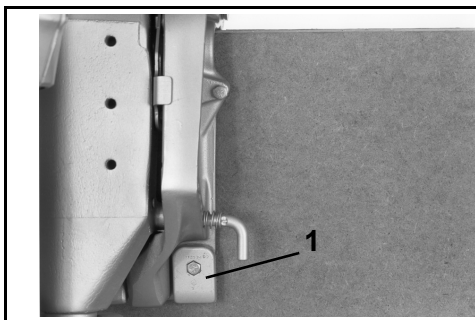
1. Drilled transom holes

Install the mounting bolts through the stern brackets and transom. Install round backing plates and locknuts onto bolts and tighten securely.



1. Transom plate
2. Small washers
3. Large washers

The kit also includes clamp pads, which must be used to secure mounting bolts in slots at the bottom of the outboard stern brackets.



1. Clamp pad

PROPELLER SERVICE

Propeller Selection

⚠ WARNING

Be alert of people in the water. Always shift the outboard to NEUTRAL and shut off the engine immediately when your boat is in an area where there might be people in the water. Serious injury or death can result from contacting a rotating propeller or moving boat and outboard.

To select the correct propeller for your boating application, your boat and outboard **MUST** be water tested.

IMPORTANT: The correct propeller for your boat, under normal load conditions, will allow the engine to run near the midpoint of the RPM operating range at full throttle. Refer to **Specifications** on page 38.

⚠ WARNING

When servicing the propeller, always shift the outboard to NEUTRAL position, turn the key switch OFF, and twist and remove all spark plug wires so the outboard cannot be started accidentally.

IMPORTANT: Apply *Triple-Guard* grease to the entire propeller shaft before installing the propeller. At least annually, remove the propeller and check for debris. Clean the shaft and regrease it before reinstalling a propeller.

Installation

Slide thrust washer onto shaft with shoulder facing aft.

Slide propeller onto shaft, engaging the splines and seating it on the thrust bushing.

Slide spacer onto the shaft and engage the propeller shaft splines.

Wedge a block of wood between the propeller blade and the anti-ventilation plate.

Install propeller nut and tighten to a torque of 120-144 in. lbs. (13.6-16.3 N·m).

Install keeper on propeller nut, align keeper slots and cotter pin hole.

Install new cotter pin and bend ends to secure.

Remove block of wood. Make sure engine is in **NEUTRAL**; give propeller a spin. It must turn freely.

Repair

If your propeller hits a solid object, the impact is partially absorbed by the rubber bushing in the hub to help prevent damage to the outboard. A strong impact can damage the hub and propeller blades. Damage to blades can cause unusual and excessive vibration. Damage to the hub can cause excessive engine RPM with little forward movement.

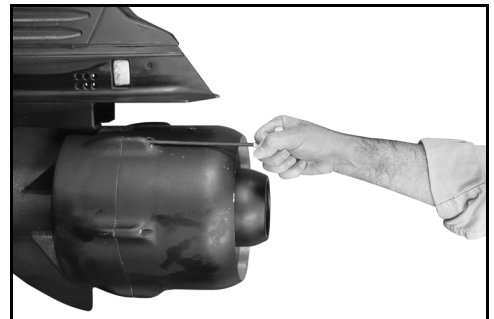
IMPORTANT: Avoid or limit operation using a damaged propeller. Carry a spare propeller.

Keep your propeller in good condition. Use a file to smooth slight damage to blade edges.

IMPELLER SERVICE, MJRL

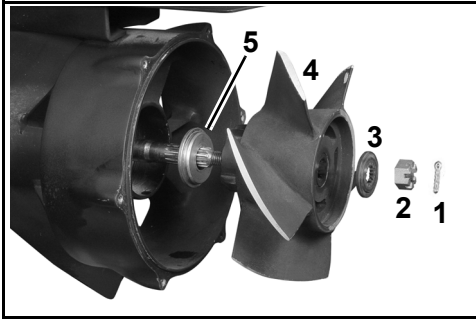
Removal

Use a 3/16 Ballhex driver to remove the six impeller housing screws. Remove the impeller housing.



Product Information

Remove the cotter pin and loosen the impeller nut. Remove the nut, spacer, impeller, and thrust bushing.



1. Cotter pin
2. Impeller nut
3. Spacer
4. Impeller
5. Thrust bushing

Installation

Apply a small amount of *Triple-Guard* grease to the impeller shaft splines. Place the thrust bushing in the impeller and then slide the assembly onto the impeller shaft.

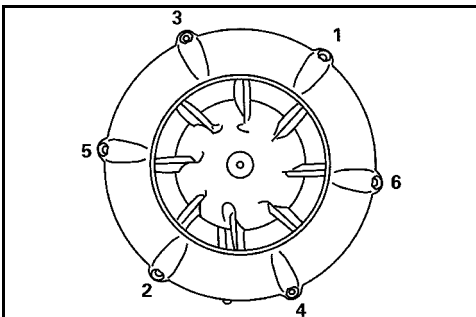
Install the spacer on splines of the impeller shaft.

Install and torque the impeller nut 120 to 140 in. lbs. (14 to 16 N·m).

If cotter pin holes in the impeller nut and impeller shaft are not aligned, continue to tighten the nut until they are in line. Do not loosen.

Insert a new cotter pin through the impeller nut and shaft. Bend its ends over the nut to secure the assembly.

Install the impeller housing, and following sequence shown, tighten screws in stages to a torque of 70 to 100 in. lbs. (8 to 12 N·m).

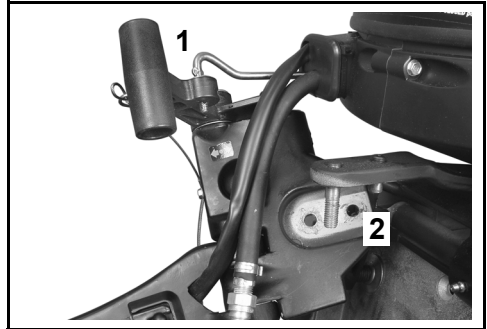


TILLER HANDLE ATTACHMENT

The tiller handle can be removed without tools to minimize required storage space.

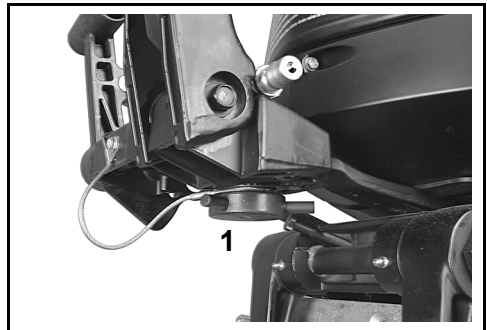
To attach tiller handle to the outboard:

- Place shift rod through shift lever.



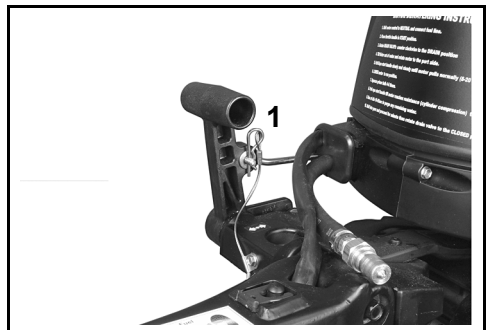
1. Shift rod
2. Steering arm studs

- Place tiller handle bracket on steering arm studs and secure with hand nut.



1. Hand nut

- Install washer and retaining clip on shift rod.



1. Retaining clip

ADJUSTMENTS

Idle RPM in Gear

The idle RPM in gear setting can be adjusted, if desired, to provide more idle control, steering, and quietness in certain applications.

IMPORTANT: The *Evinrude Diagnostics* software program is required to adjust the idle RPM setting.

Trim Tab (Propeller models)

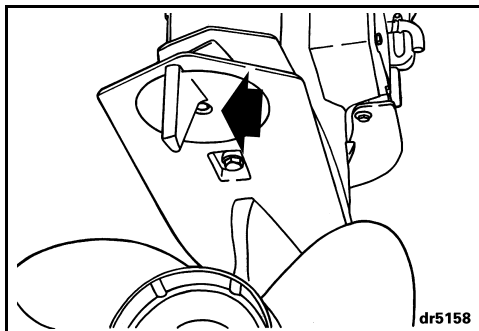
⚠ WARNING

Improper trim tab adjustment can cause difficult steering.

A propeller will generate steering torque when the propeller shaft is not running parallel to the water's surface. The trim tab is adjustable to compensate for this steering torque.

IMPORTANT: A single trim tab adjustment will relieve steering effort under only one set of speed, outboard angle and load conditions. No single adjustment can relieve steering effort under all speed, outboard angle and load conditions. If the boat pulls to the left or right when its load is evenly distributed, adjust the trim tab as follows:

With the outboard shut OFF, loosen the trim tab screw. If the boat pulled to the right, move the rear of the trim tab slightly to the right. If the boat pulled to the left, move the rear of the trim tab slightly to the left.



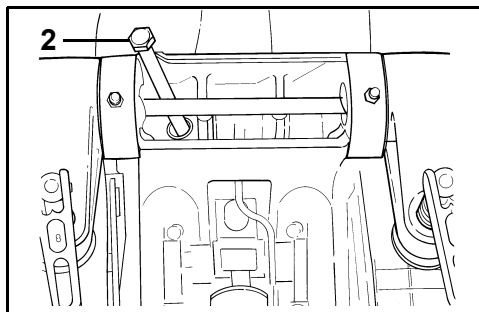
Tighten the trim tab screw to a torque of 35-40 ft. lbs. (47-54 N·m). Test the boat and, if needed, repeat the procedure until steering effort is as equal as possible.

High outboard installations — The trim tab might be above the water when the outboard is trimmed out. Steering effort might increase. Steering effort will be reduced if you trim the outboard in and submerge the trim tab.

Steering Friction

Steering friction should be adjusted so that a slight drag is felt when turning the outboard with the steering handle. If adjustment is necessary, turn the adjustment screw:

- Clockwise to increase friction; or
- Counterclockwise to decrease friction.



2. Steering friction screw

⚠ WARNING

DO NOT overtighten for “hands-off” steering. Reduced steering control could result.

PRODUCT WARRANTY INFORMATION

BRP LIMITED WARRANTY FOR 2011 *EVINRUDE* MULTI FUEL ENGINES SOLD IN THE UNITED STATES AND CANADA (NOT FOR SALE IN CALIFORNIA)

1. SCOPE OF THE LIMITED WARRANTY

BRP US Inc.* ("BRP") warrants its 2011 *Evinrude*® Multi Fuel Engines sold for recreational or commercial use in the United States (except California) and Canada ("Product") from defects in material or workmanship for the period and under the conditions described below.

2. EXCLUSIONS — *The following are not warranted under any circumstances:*

- Replacement of parts due to normal wear and tear;
- Routine maintenance parts and services including but not limited to: maintenance requirements, lower unit oil changes, lubrication, linkage adjustments and replacement of fuses, zinc anodes, thermostats, starter motor bushings, trim motor brushes, filters, propellers, propeller bushings and spark plugs;
- Damage caused by improper or lack of installation, maintenance, winterization and/or storage, failure to follow the procedures and recommendations in the Operator's Guide;
- Damage resulting from removal of parts, improper repairs, service, maintenance, or modification, or use of parts or accessories not manufactured or approved by BRP, which in its reasonable judgment, are either incompatible with Product or adversely affect its operation, performance, or durability, or resulting from repairs done by a person that is not an authorized Dealer;
- Damage caused by abuse, misuse, abnormal use, neglect, racing, improper operation or operation of the Product in a manner inconsistent with the recommended operation described in the Operator's Guide;
- Damage resulting from external damage, accident, submersion, water ingestion, fire, theft, vandalism or any act of God;
- **Operation without proper fuel, oil or lubrication, or with fuels, oils or lubricants which are not suitable for use with the Product (see the Operator's Guide);**
- Damage resulting from rust or corrosion;
- Damage caused from cooling system blockage by foreign material;
- Damage resulting from sand or debris in the water pump;
- Damage resulting from sand or debris in the jet pump assembly;
- Cosmetic or paint changes due to exposure to the elements.

This warranty will be **voided in its entirety and rendered null and void** where:

- Product has been altered or modified in such a way so as to adversely affect its operation, performance or durability, or change its intended use, horsepower or emission levels; or
- Product is or has operated on improper fuels, oils, or lubricants for extended periods of time.
- Product is or has been used for racing at any point, even by a prior owner.

3. LIMITATIONS OF LIABILITY

ALL WARRANTIES, EXPRESSED OR IMPLIED, INCLUDING WITHOUT LIMITATION ANY WARRANTY OF MERCHANTABILITY OR FITNESS FOR A PARTICULAR PURPOSE ARE LIMITED IN DURATION TO THE LIFE OF THE EXPRESS LIMITED WARRANTY.

ALL INCIDENTAL, CONSEQUENTIAL, DIRECT, INDIRECT OR OTHER DAMAGES OF ANY KIND ARE EXCLUDED FROM COVERAGE UNDER THIS WARRANTY INCLUDING, BUT NOT LIMITED TO: expense for gasoline, expense for transporting Product to and from an authorized Dealer, removal of Product from a boat and reinstallation, mechanic's travel time, in-and-out of water charges, slip or dock fees, trailering or towing, storage, telephone, cell phone, fax or telegram charges, rental of a like or replacement Product or boat during warranty services or down time, taxi, travel, lodging, loss of or damage to personal property, inconvenience, cost of insurance coverage, loan payments, loss of time, loss of income, revenue or profits, or loss of enjoyment or use of Product.

SOME STATES, PROVINCES, OR JURISDICTIONS DO NOT ALLOW FOR THE DISCLAIMERS, LIMITATIONS OF INCIDENTAL OR CONSEQUENTIAL DAMAGES, OR OTHER EXCLUSIONS IDENTIFIED ABOVE. AS A RESULT, THEY MAY NOT APPLY TO YOU. THIS WARRANTY GIVES YOU SPECIFIC RIGHTS, AND YOU MAY ALSO HAVE OTHER LEGAL RIGHTS WHICH MAY VARY FROM STATE TO STATE, OR PROVINCE TO PROVINCE.

No distributor, authorized Dealer or any other person is authorized to make any affirmation, representation or warranty regarding Product other than those contained in this limited warranty and, if made, shall not be enforceable against BRP. BRP reserves the right to modify this warranty at any time, being understood that such modification will not alter the warranty conditions applicable to the Products sold while this warranty is in effect.

4. WARRANTY COVERAGE PERIOD

This limited warranty will be in effect from the date of delivery to the first retail consumer or the date the Product is first put to use, whichever occurs first, for a period of TWELVE (12) CONSECUTIVE MONTHS.

Except that exhaust emission-related components are warranted for sixty (60) consecutive months or one hundred seventy five (175) hours of engine use, whichever occurs first; and evaporative emission related components are warranted for twenty-four (24) consecutive months. *Please see your Authorized Evinrude Outboard Engine Dealer for emission-related service.*

The repair or replacement of parts or the performance of service to Product under this warranty does not extend the life of this limited warranty beyond its original expiration date. All *Evinrude/Johnson® Genuine Parts* and accessories installed by an authorized dealer at the time of sale bear the standard BRP parts and accessories one-year limited warranty.

5. CONDITIONS TO HAVE WARRANTY COVERAGE

This warranty coverage is available only on *Evinrude* Multi Fuel Engines purchased as new and unused from a dealer authorized to distribute *Evinrude* products in the country in which the sale occurred ("Dealer"), and then only after the BRP specified pre-delivery inspection process has been completed and documented by the purchaser and Dealer. Warranty coverage only becomes available upon proper registration of Product by Dealer or owner.

Only the original purchaser and any subsequent owners who reside in the United States and Canada and have purchased Product from BRP or an authorized U.S. or Canadian Dealer are eligible for warranty registration and warranty coverage hereunder. Such limitations are necessary in order to allow BRP to protect the safety of its products, its consumers, and the general public.

As outlined in the Operator's Guide, timely routine required maintenance must be performed to maintain warranty coverage. BRP may require proof of proper maintenance prior to authorizing warranty coverage.

6. WHAT TO DO TO OBTAIN WARRANTY COVERAGE

The registered owner must notify an authorized Dealer within two (2) days of the appearance of a defect. The potentially defective Product must not be used until it has been inspected by an Authorized Service Point. BRP is not responsible for damages caused by the use of a Product after the appearance of a defect. Owner must bring Product, including any defective part therein, to Dealer promptly after the appearance of the defect, and in any event, within the warranty period, and must provide Dealer with reasonable opportunity to repair the defect. The expenses of transporting Product to and from Dealer for warranty service are to be borne by the owner.

If the Product has not previously been registered, the owner may also be required to present proof of purchase to Dealer for warranty repairs. Owner is required to sign the repair/work order prior to the start of the repair in order to validate the warranty repair.

All parts replaced under this warranty become the property of BRP.

7. WHAT BRP WILL DO

BRP's obligations under this warranty are limited to, at its sole discretion, repairing or replacing parts of Product found to be defective in material or workmanship, in the reasonable judgment of BRP. Such repair or replacement of parts will be done without charge for parts and labor, at any authorized Dealer. BRP's responsibility is limited to making the required repairs or replacements of parts with new or BRP-certified re-manufactured parts. No claim of breach of warranty shall be cause for cancellation or rescission of the sale of Product to owner.

In the event that warranty service is required outside of the fifty United States or Canada, owner will bear responsibility for any additional charges due to local practices and conditions, such as, but not limited to, freight, insurance, taxes, license fees, import duties, and any and all other financial charges, including those levied by governments, states, territories and their respective agencies.

BRP reserves the right to improve, modify or change Products from time to time without assuming any obligation to modify Products previously manufactured.

8. TRANSFER

If the ownership of Product is transferred during the warranty coverage period, this warranty shall be transferred and be valid for the remaining coverage period provided that the former or new owner promptly contacts BRP or Dealer and gives the name and address of the new owner.

9. CONSUMER ASSISTANCE

In the event of a controversy or dispute in connection with this BRP limited warranty, BRP recommends that you first try to resolve the issue at the dealership level by discussing the issue with Dealer's service manager or owner;

If further assistance is required, please contact BRP US Inc. / Outboard Engines Division, After Sales Support, P.O Box 597, Sturtevant, WI 53177, 1-847-689-7090.

* In Canada, products are distributed and serviced by Bombardier Recreational Products Inc.

© Registered trademark of Bombardier Recreational Products Inc. or its affiliates.

© 2010 BRP US Inc. All rights reserved. Limited Warranty MFE - April 2010

**BOMBARDIER RECREATIONAL PRODUCTS LIMITED WARRANTY
FOR 2011 *EVINRUDE* MULTI FUEL ENGINES
SOLD OUTSIDE THE UNITED STATES AND CANADA**

For a copy of the Limited Warranty, see your Bombardier Recreational Products ("BRP") distributor/dealer authorized to distribute *Evinrude* products in the country in which the sale occurs.

If further assistance is required, please contact BRP US Inc. / Outboard Engines Division, After Sales Support, P.O. Box 597, Sturtevant, WI 53177, or the affiliate of BRP where the Product was registered for warranty.



CONFIRMATION OF RECEIPT

Your Dealer

Name:	_____

Address:	_____

Upon delivery of your new *Evinrude/Johnson* outboard, complete and sign the form below. Your Dealer will take receipt of the form for their records.



Receipt

Name:	_____

Address:	_____

Owner of Model No:	_____
Serial No:	_____
	(To be completed by customer or selling Dealer)
<p>The Dealer named on this document has instructed me on the operation, maintenance, safety features and warranty policy, all of which I understand and agree to be bound with. I am also satisfied with the predelivery set-up and inspection of my <i>Evinrude/Johnson</i> outboard. I have also received a copy of the Operator's Guide.</p>	
Signature:	_____
Date:	_____

