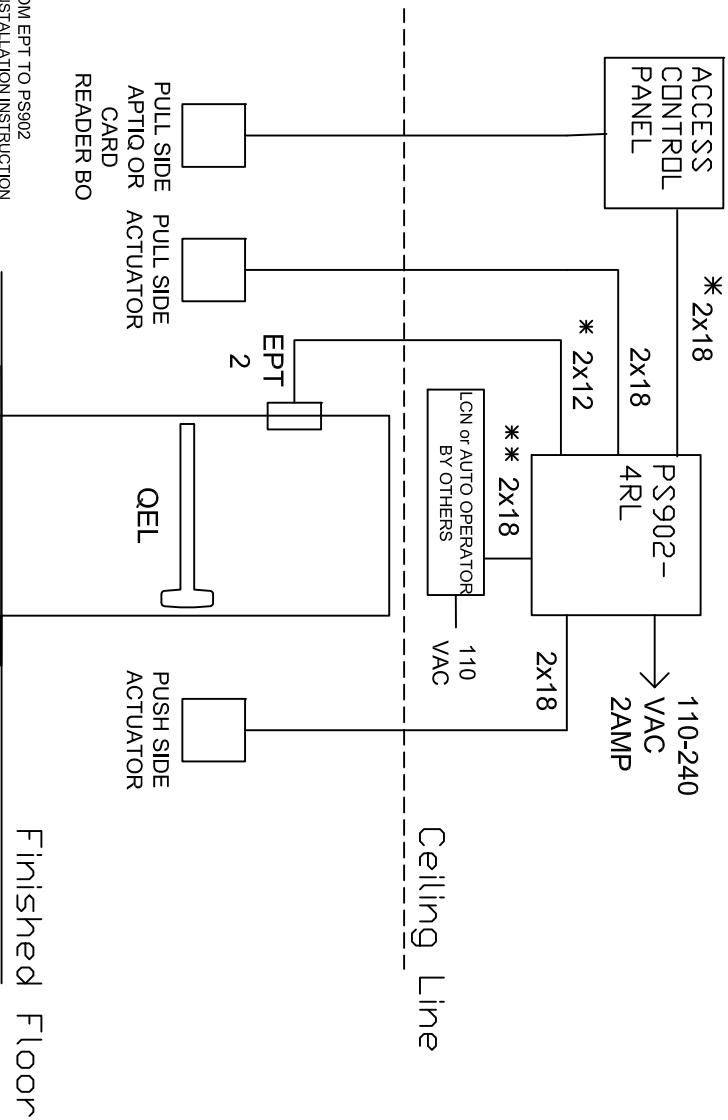


THIS DIAGRAM REPRESENTS A GENERIC CONFIGURATION. CUSTOM WIRING DIAGRAMS CAN BE ACQUIRED BY CONTACTING TECHNICAL SUPPORT.



NOTE:
 *USE #18 GAUGE WIRE FOR DISTANCES UP TO 200' FROM EPT TO PS902
 **ADDITIONAL WIRING IS REQUIRED. SEE MANUFACTURER INSTALLATION INSTRUCTION

NOTES:
 1) ALL LOW VOLTAGE WIRING TO BE STANDARD MULTI-CONDUCTOR COLOR CODED WITHOUT SPLICES.
 2) WIRING TO CONFORM TO APPLICABLE NATIONAL, STATE AND LOCAL ELECTRICAL CODES.
 3) REFER TO SPECIFIC PRODUCT INSTALLATION INSTRUCTIONS FOR SPECIFIC WIRING REQUIREMENTS.
 4) THIS DRAWING IS FOR GRAPHICAL REPRESENTATION OF PRODUCTS DETAILED IN THE HARDWARE SET ONLY.
 5) * CONDUCTOR COUNT TO BE DETERMINED BY ACCESS CONTROL PANEL PROVIDER.

HARDWARE USED:	
1	VONDUERIN QEL PANIC DEVICE
1	APTIO OR CARD READER BY OTHERS WITH ACP
2	ACTUATORS
1	PS902-4RL POWER SUPPLY
1	EPT POWER TRANSFER
1	LCN OR AUTO OPERATOR BY OTHERS
TYPE	
ALLEGION QEL PANIC WITH AD	

OPERATION:	
PUSH SIDE ACTUATOR TO RETRACT THE QEL ELECTRIC PANIC BAR AND OPEN THE DOOR.	
PULL SIDE APTIO OR CARD READER BO TO RETRACT THE QEL ELECTRIC PANIC BAR AND ENABLE THE PULL SIDE ACTUATOR TO OPEN THE DOOR.	
THIS CONFIGURATION REPRESENTS A NON FIRE RATED OPENING.	
IN THIS EXAMPLE ALL WIRING CONNECTIONS ARE MADE IN THE PS902 ENCLOSURE.	

TITLE: **ALLEGION™**

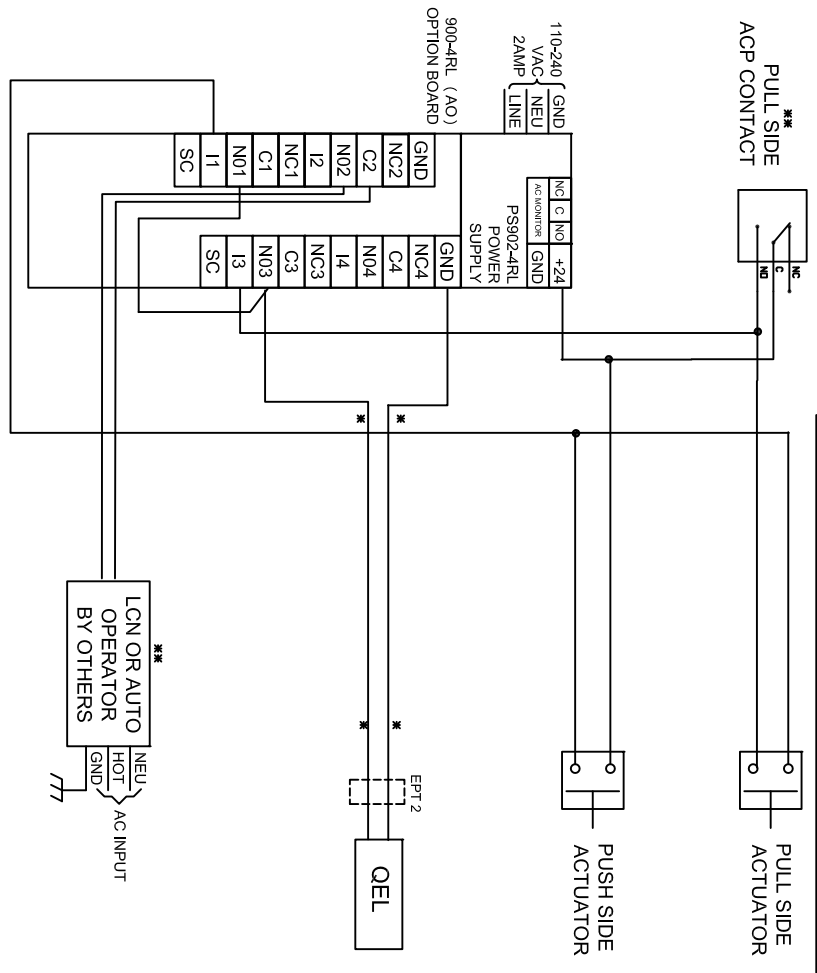
PS902-4RL AS AO WITH QEL PANIC

DRAWING TYPE:	DWG NO.:	REV
RISER DIAGRAM	110828R	A

DATE DRAWN: 03-13-15 REVISION DATE: 03-13-15

copyright 2015 DRAWN/CHECKED BY: B DOVE

THIS DIAGRAM REPRESENTS A GENERIC CONFIGURATION. CUSTOM WIRING DIAGRAMS CAN BE ACQUIRED BY CONTACTING TECHNICAL SUPPORT.



SET 900-4RL CARD:
 SW2 PACK-SW1 OFF AND SW2 ON,
 SW1 PACK-SW1 ON, SW2 OFF. SW3 AND SW4 OFF AND OTHER SWITCHES
 AS REQUIRED FOR INSTALLATION. SEE 900-4RL INSTALLATION
 INSTRUCTIONS FOR DETAILS.

PROGRAM C2 AND NO2 FOR DRY CONTACT.

SET ALL OTHER SWITCHES AS REQUIRED FOR INSTALLATION

NOTE:
 *USE #18 GAUGE WIRE FOR DISTANCES UP TO 200' FROM EPT TO PS914
 **ADDITIONAL WIRING IS REQUIRED. SEE MANUFACTURER INSTALLATION INSTRUCTION

NOTES:
 1) ALL LOW VOLTAGE WIRING TO BE STANDARD.
 MULTI-CONDUCTOR CABLE CODED WITHOUT SPLICES.
 2) WIRING TO CONFORM TO APPLICABLE NATIONAL,
 STATE AND LOCAL ELECTRICAL CODES.
 3) REFER TO SPECIFIC PRODUCT INSTALLATION
 INSTRUCTIONS FOR SPECIFIC WIRING REQUIREMENTS.
 4) THIS DRAWING IS FOR GRAPHICAL REPRESENTATION
 OF PRODUCTS DETAILED IN THE HARDWARE SET ONLY.
 5) * CONDUCTOR COUNT TO BE DETERMINED BY ACCESS
 CONTROL PANEL PROVIDER.

HARDWARE USED:
 1 VENDOR/IN QEL PANIC DEVICE
 1 APTIO DR CARD READER BY OTHERS WITH ACP
 2 ACTUATORS
 1 PS902-4RL POWER SUPPLY
 1 EPT OPERATOR TRANSFER
 1 LCN OR AUTO OPERATOR BY OTHERS

OPERATION:
 PUSH SIDE ACTUATOR TO RETRACT THE QEL ELECTRIC PANIC BAR AND OPEN THE DOOR.
 PULL SIDE APTIO DR CARD READER TO RETRACT THE QEL ELECTRIC PANIC BAR AND
 ENABLE THE PULL SIDE ACTUATOR TO OPEN THE DOOR.
 THIS CONFIGURATION REPRESENTS A NON FIRE RATED OPENING.
 IN THIS EXAMPLE ALL WIRING CONNECTIONS ARE MADE IN THE PS902 ENCLOSURE.

TITLE:
ALLEGION™
 PS914-4RL AS AO WITH QEL PANIC

DRAWING TYPE: WIRING DIAGRAM	DWG NO: 110828W	REV: A
DRAWN/CHECKED BY: B DOVE		
DATE DRAWN: 03-13-15	REVISION DATE: 03-13-15	COPYRIGHT 2015