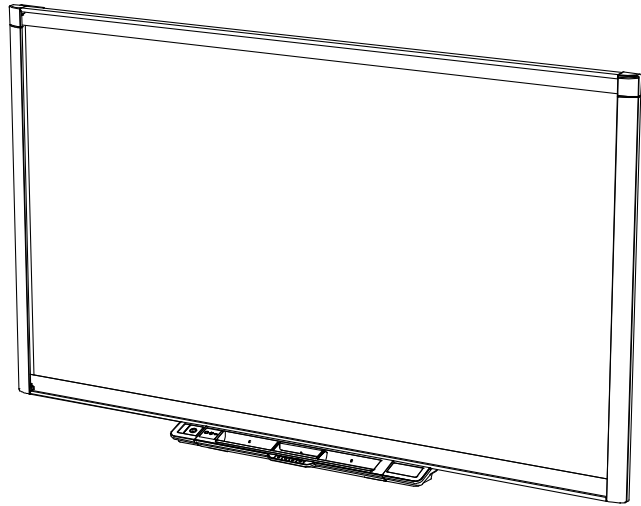


SMART[®]



Service Parts Diagrams

For Model:

SBX880 revision 2

SBX885 revision 2

Applies only to models with serial numbers that are within the following ranges:

SBX880-H2/M2-A000001 to SBX880-H2/M2-A999999

SBX885-H2/M2-A000001 to SBX885-H2/M2-A999999

SBX880-V2-0000001 to SBX880-V2-9999999

SBX885-V2-0000001 to SBX885-V2-9999999

SBX885-MP-A000001 to SBX885-MP-A999999

Service Parts Diagrams Revision History

Revision 1 - February, 2012

- New document

Revision 2 - November, 2012

- Remove camera FRU notes

Revision 3 - May, 2013

- Add reference to V2 serial numbers

Standard Warranty Terms

Base Product: Your interactive whiteboard has a two-year limited equipment warranty or a five-year limited equipment warranty upon registration.

First Customer Ship: April, 2012

SMART Technologies

3636 Research Road NW

Calgary, AB T2L 1Y1

CANADA

Support +1.403.228.5940 or Toll Free 1.866.518.6791 (Canada/U.S.)

Support Fax +1.403.806.1256

www.smarttech.com/contactserviceparts www.smarttech.com

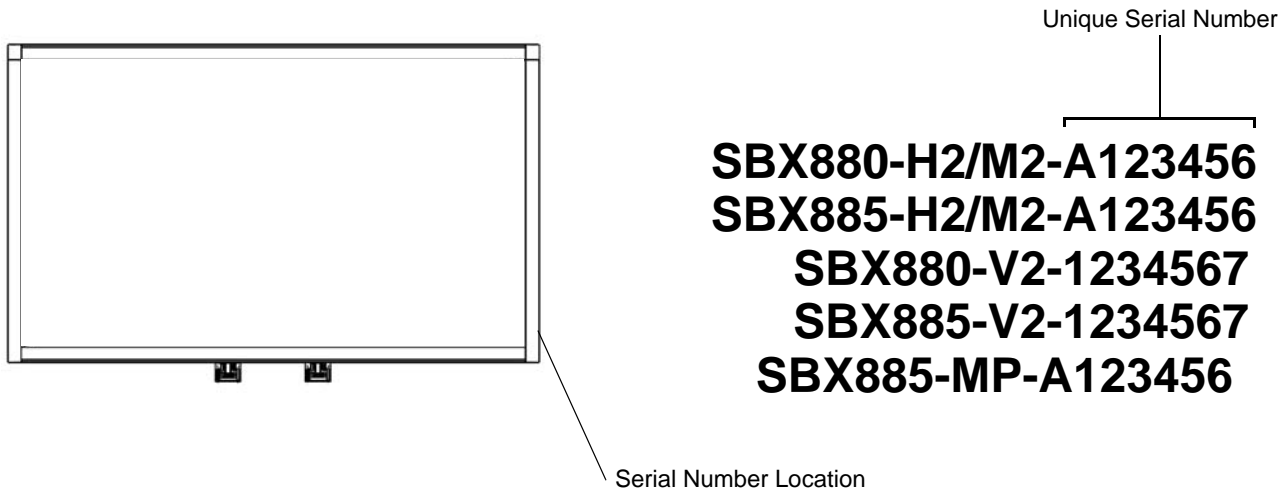
The SMART logo consists of the word "SMART" in a bold, black, sans-serif font. The letters are slightly stylized, with the 'S' and 'M' having a more rounded, blocky appearance. A registered trademark symbol (®) is located at the bottom right of the 'T'.

Service Parts Diagrams for the SMART Board 800 Series Interactive Whiteboards

- Identifying Your Product Using the Serial Number 1
- Ordering Parts 1
- SBX880 Parts 2
- SBX885 Parts 4

Identifying Your Product Using the Serial Number

To make sure that you have the correct service parts diagrams, you must verify the serial number of your SMART Board 800 series interactive whiteboard. The serial number will be located on the side of the right hand bezel as shown below. An example of the serial number format is shown below.



Ordering Parts

Customers

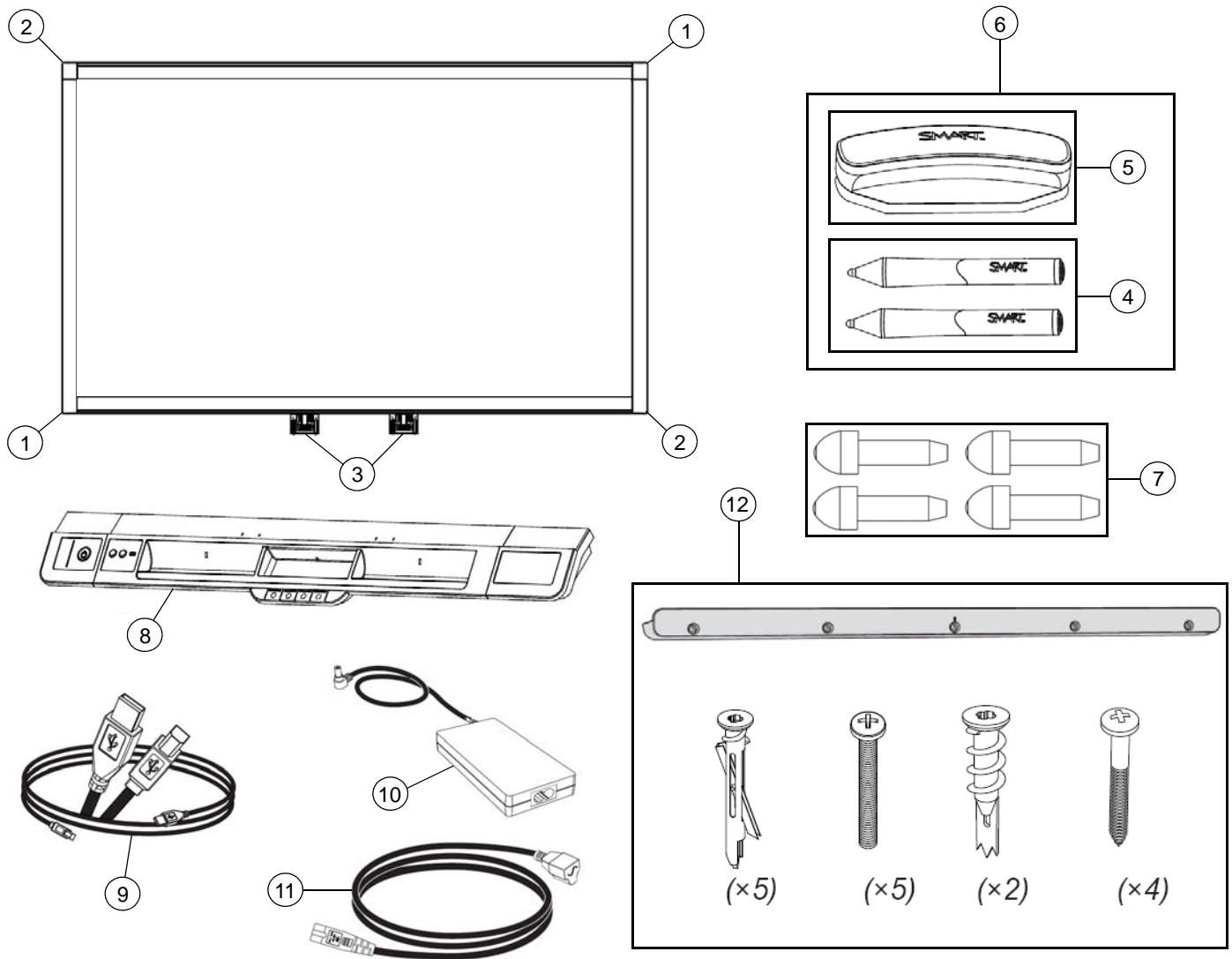
To order any of the parts in these service parts diagrams, contact your local reseller. To find a reseller near you, visit www.smarttech.com/where.

Dealers and Distributors

For specific technical and pricing enquiries in regards to these diagrams please contact our service parts department. Pricing is also available on-line via the SOURCE website (source.smarttech.com).

Web Form: www.smarttech.com/contactserviceparts
Phone: 1.888.42.SMART
International: +1.403.245.0333

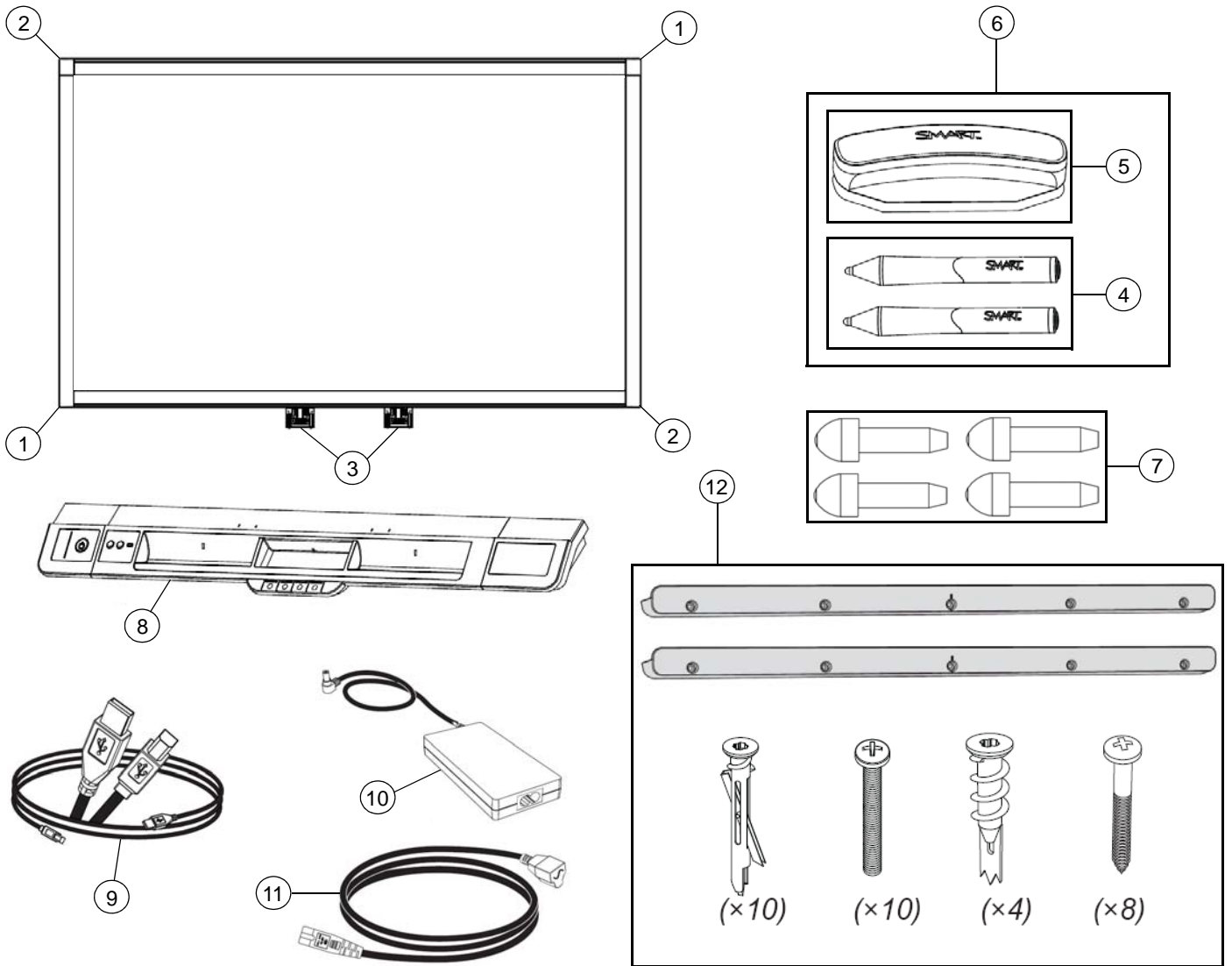
SBX880 Parts



Item	Part No.	Qty	Description
1	FRU-CAM2-SBX880-A	2	FRU, camera A, revision 2, SBX880, position 0 and 2
2	FRU-CAM2-SBX880-B	2	FRU, camera B, revision 2, SBX880, position 1 and 3
3	51-00817-20	2	Bracket, mounting, pen tray
4	RPEN-SBX8	1	Replacement Pens for SMART Board X800 Series for Education - Set of Two NOTE: These pens are designed for education users and are wider and lighter than the business pens. The education pens can be identified by a flat plastic end cap.
5	RERASER-SBX8	1	Replacement Eraser for SMART Board X800 Series
6	RPEN-ER-SBX8	1	Replacement Pens and Eraser for SMART Board X800 Series for Education - Set of Two Pens NOTE: This kit contains the education version of the pens which are wider and lighter than the business pens. The education pens can be identified by a flat plastic end cap.
7	FRU-NIB-SBX8	1	Replacement Nibs for SBX8 Pen - Set of Four
8	FRU-PT14-2	1	FRU, pen tray, PT14, revision 2

9	93-00828-20	1	Cable, USB, A-B, 16' (5.0 m), SBX8
10	1013652	1	Power supply, 5V DC, 2A, universal switching
11	93-00592-20	1	Cable, power, North America, 6' 6" (2.0 m)
11	93-00542-20	1	Cable, power, Europe, 6' 6" (2.0 m)
11	93-00543-20	1	Cable, power, United Kingdom, 6' 6" (2.0 m)
11	93-00576-20	1	Cable, power, Australia, 6' 6" (2.0 m)
11	93-00806-20	1	Cable, power, China, 6' 6" (2.0 m)
12	FRU-SBX8WM	1	FRU, SBX8, wall mounting kit
Not shown	52-00683-20	1	Bracket, backboard hanger NOTE: Comes attached to the back of the SMART Board.
Not shown	52-00669-21	2	Cover, back, camera, position 0 and 2
Not shown	52-00668-21	2	Cover, back, camera, position 1 and 3
Not shown	1013718	1	Cable, harness, pen tray to cameras, SBX880 NOTE: Connects camera 0, 1, 2, and 3 to the pen tray.
Not shown	FRU-PKG-SBX880	1	FRU, packaging, SBX880 SMART Board Interactive Whiteboard

SBX885 Parts



Item	Part No.	Qty	Description
1	FRU-CAM2-SBX885-A	2	FRU, camera A, revision 2, SBX885, position 0 and 2
2	FRU-CAM2-SBX885-B	2	FRU, camera B, revision 2, SBX885, position 1 and 3
3	51-00817-20	2	Bracket, mounting, pen tray
4	RPEN-SBX8	1	Replacement Pens for SMART Board X800 Series for Education - Set of Two NOTE: These pens are designed for education users and are wider and lighter than the business pens. The education pens can be identified by a flat plastic end cap.
5	RERASER-SBX8	1	Replacement Eraser for SMART Board X800 Series
6	RPEN-ER-SBX8	1	Replacement Pens and Eraser for SMART Board X800 Series for Education - Set of Two Pens NOTE: This kit contains the education version of the pens which are wider and lighter than the business pens. The education pens can be identified by a flat plastic end cap.
7	FRU-NIB-SBX8	1	Replacement Nibs for SBX8 Pen - Set of Four
8	FRU-PT14-2	1	FRU, pen tray, PT14, revision 2

9	93-00828-20	1	Cable, USB, A-B, 16' (5.0 m), SBX8
10	1013652	1	Power supply, 5V DC, 2A, universal switching
11	93-00592-20	1	Cable, power, North America, 6' 6" (2.0 m)
11	93-00542-20	1	Cable, power, Europe, 6' 6" (2.0 m)
11	93-00543-20	1	Cable, power, United Kingdom, 6' 6" (2.0 m)
11	93-00576-20	1	Cable, power, Australia, 6' 6" (2.0 m)
11	93-00806-20	1	Cable, power, China, 6' 6" (2.0 m)
12	FRU-SBX8WM	2	FRU, SBX8, wall mounting kit
Not shown	52-00683-20	2	Bracket, backboard hanger NOTE: Comes attached to the back of the SMART Board.
Not shown	52-00669-21	2	Cover, back, camera, position 0 and 2
Not shown	52-00668-21	2	Cover, back, camera, position 1 and 3
Not shown	1013719	1	Cable, harness, pen tray to cameras, SBX885 NOTE: Connects camera 0, 1, 2, and 3 to the pen tray.
Not shown	FRU-PKG-SBX885	1	FRU, packaging, SBX885 SMART Board Interactive Whiteboard

