



# AD Series Door Template Index



## **Cylindrical Lock**

[\(Wood Door\) AD-CY Cylindrical AD200/250/300/400 Template - AD101](#)

[\(Metal Door\) AD-CY Cylindrical AD200/250/300/400 Template - AD102](#)

## **Mortise Lock**

[\(Wood Door\) AD-MS Mortise AD200/250/300/400 Template - AD103](#)

[\(Metal Door\) AD-MS Mortise AD200/250/300/400 Template - AD104](#)

## **Mortise Deadbolt Lock**

[\(Wood Door\) AD-MD Mortise Deadbolt AD200/250/300/400 Template - AD105](#)

[\(Metal Door\) AD-MD Mortise Deadbolt AD200/250/300/400 Template - AD106](#)

## **993R/S Rim & Surface Vertical Exit Device Trim**

[\(Wood Door\) AD-993R/S Exit Device AD200/250/300/400 Template - AD107](#)

[\(Metal Door\) AD-993R/S Exit Device AD200/250/300/400 Template - AD108](#)

## **993M Mortise Exit Device Trim**

[\(Wood Door\) AD-993M Exit Device AD200/250/300/400 Template - AD109](#)

[\(Metal Door\) AD-993M Exit Device AD200/250/300/400 Template - AD110](#)

## **993R Concealed Vertical Exit Device Trim**

[\(Metal Door\) AD-993R Exit Device AD200/250/300/400 Template - AD112](#)

## **993R/S Rim and Surface Vertical Exit Device Dummy Trim**

[\(Wood Door\) AD-993R/S Exit, Dummy AD200/250/300/400 Template - AD113](#)

[\(Metal Door\) AD-993R/S Exit, Dummy AD200/250/300/400 Template - AD114](#)



[Return to Index](#)

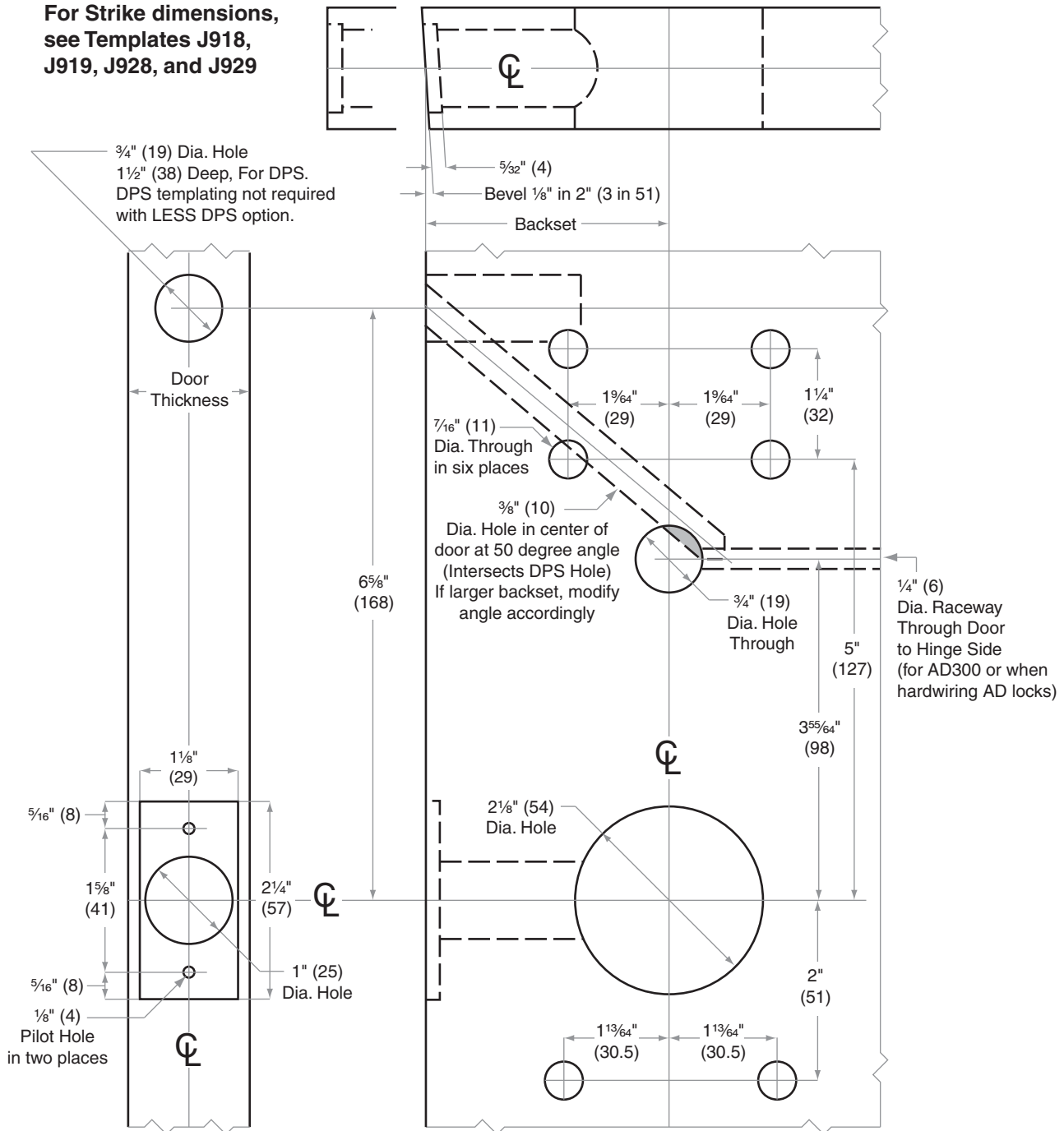


# AD-Series

Models AD-200/250/300/400-CY

- Door Type: Wood or Composite, Flat or Beveled Conforms to ANSI BHMA A156.115-W
- Door Thickness:  $1\frac{1}{8}$ " (35 mm) –  $2\frac{3}{4}$ " (70 mm)
- Faceplate: Square Corner,  $1\frac{1}{8}$ " (29 mm) wide
- Backsets:  $2\frac{3}{4}$ " (70 mm),  $2\frac{3}{8}$ " (60 mm),  $3\frac{3}{4}$ " (95 mm),  $5\frac{3}{4}$ " (146 mm)

**For Strike dimensions, see Templates J918, J919, J928, and J929**



Dimensions shown in parentheses ( ) are in millimeters.

Door preparation template



[Return to Index](#)

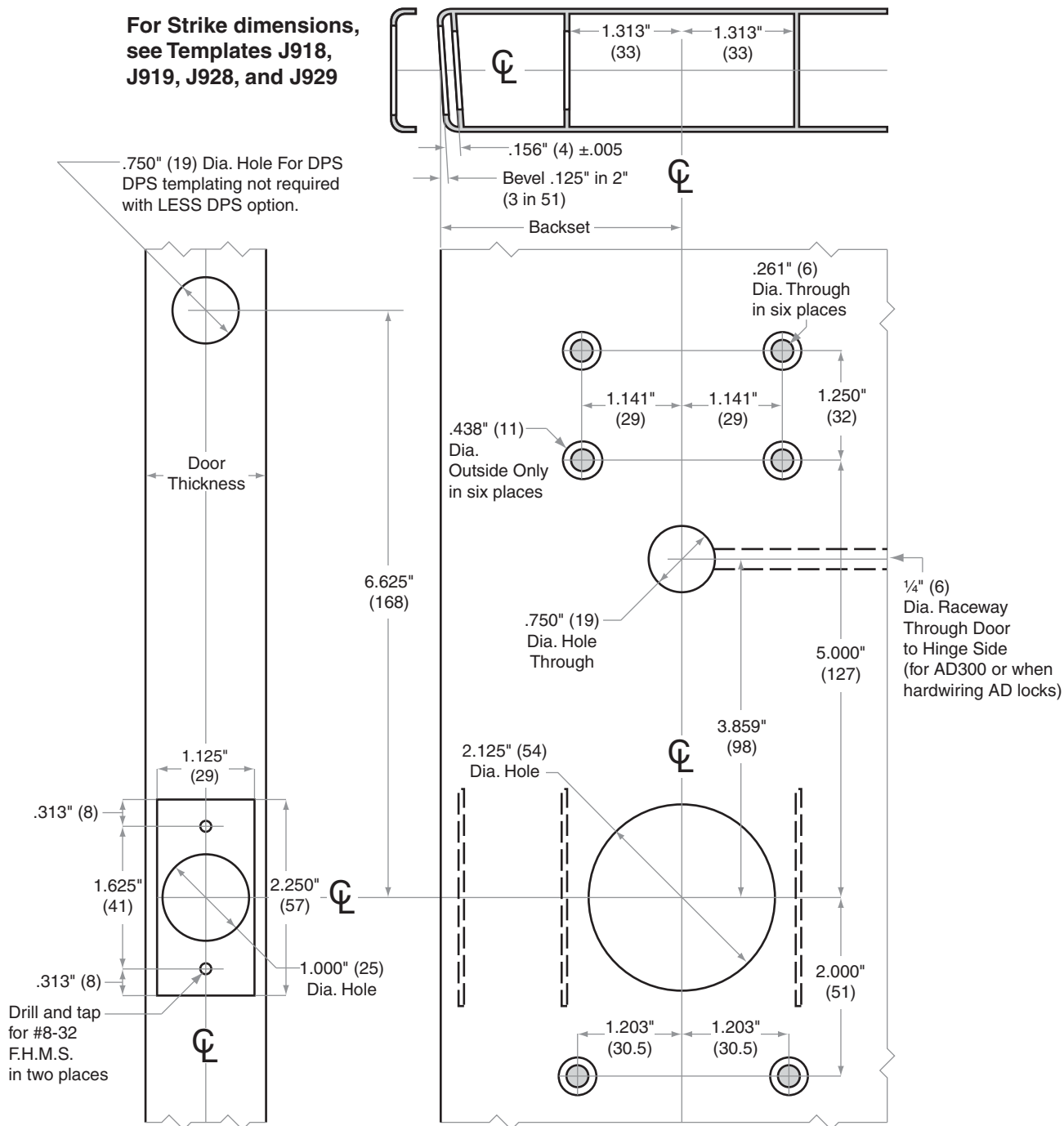


# AD-Series

## Models AD-200/250/300/400-CY

- Door Type:** Metal, Flat or Beveled Conforms to ANSI/BHMA A156.115
- Door Thickness:** 1 $\frac{1}{8}$ " (35 mm) – 2 $\frac{3}{4}$ " (70 mm)
- Faceplate:** Square Corner, 1 $\frac{1}{8}$ " (29 mm) wide
- Backsets:** 2 $\frac{3}{4}$ " (70 mm), 2 $\frac{3}{8}$ " (60 mm), 3 $\frac{3}{4}$ " (95 mm), 5 $\frac{3}{4}$ " (146 mm)

**For Strike dimensions, see Templates J918, J919, J928, and J929**



Dimensions shown in parentheses ( ) are in millimeters.

Door preparation template

# AD102



# AD-Series

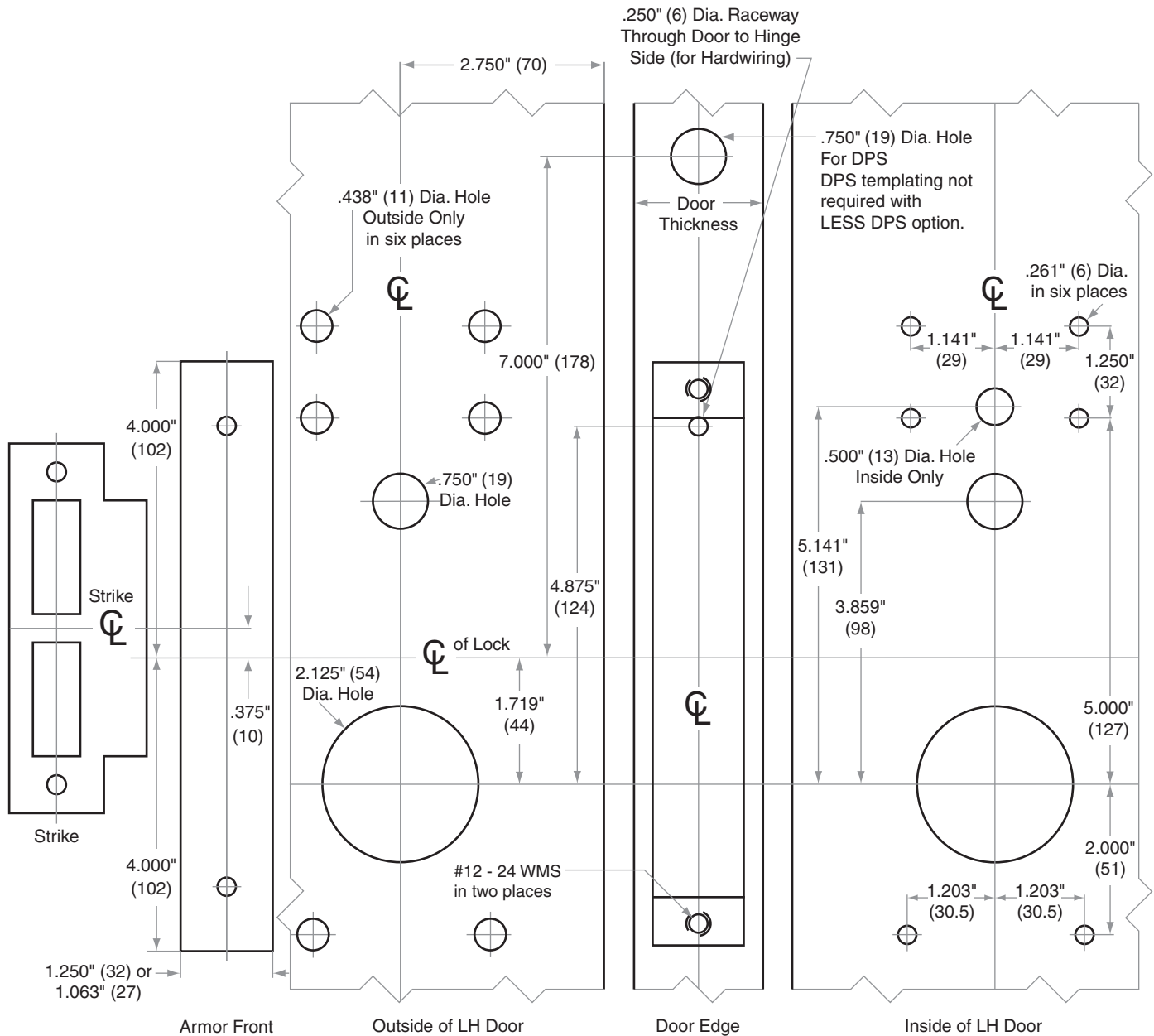
Models AD-200/250/300/400-MS

- Door Type: Metal, Flat or Beveled Conforms to ANSI/BHMA A156.115
- Door Thickness: 1 $\frac{1}{8}$ " (35 mm) – 2 $\frac{3}{4}$ " (70 mm)
- Faceplate: Square Corner, 1 $\frac{1}{16}$ " (27 mm) or 1 $\frac{1}{4}$ " (32 mm) wide
- Backsets: 2 $\frac{3}{4}$ " (70 mm)

**For Mortise Case Dimensions, see Template L1**

**For Mortise Strike Dimensions, see Templates J918, J919, and J557**

### Left Hand (LH) Door Shown



Door preparation template

# AD104



# AD-Series

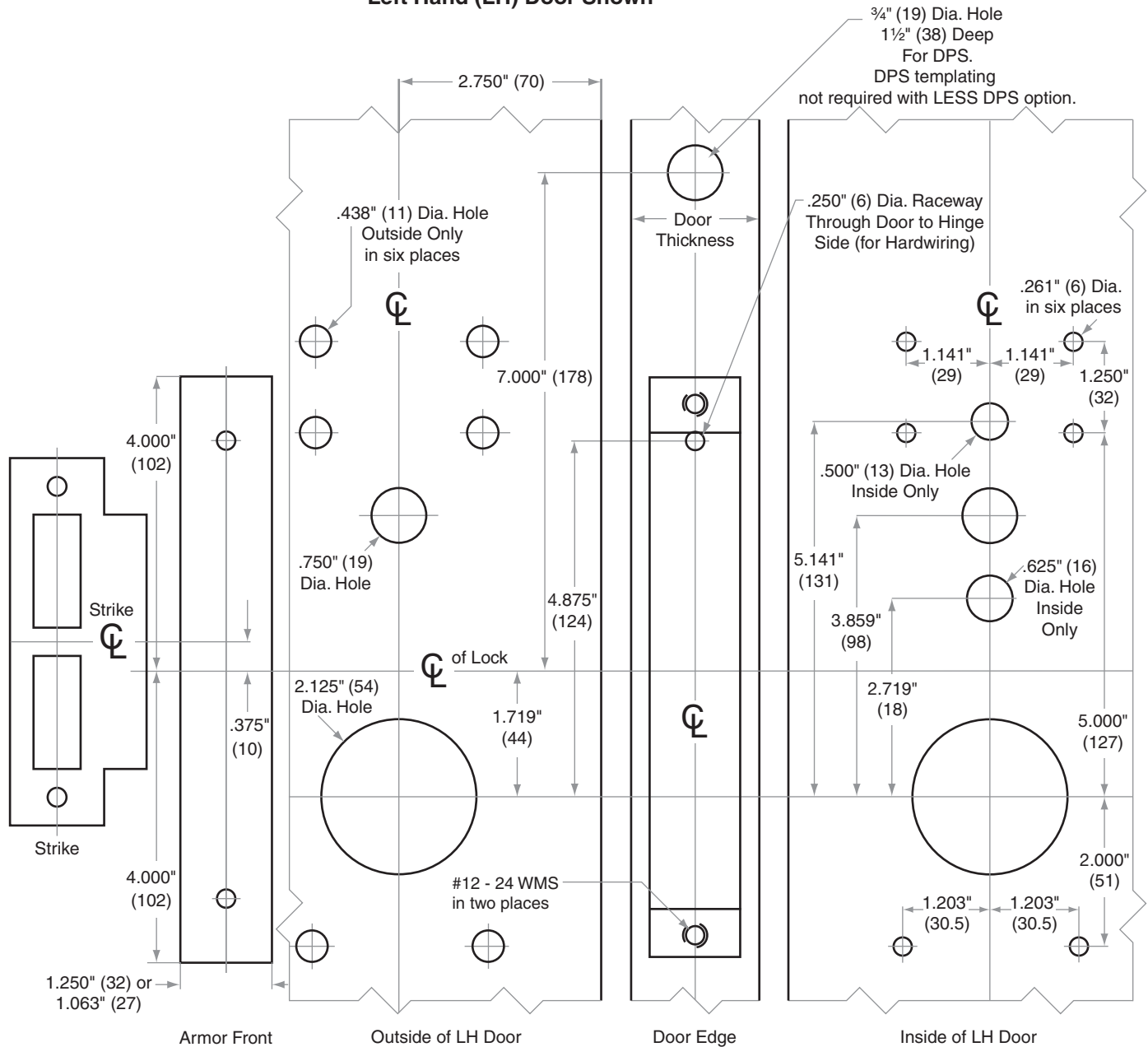
Models AD-200/250/300/400-MD

- Door Type: Metal, Flat or Beveled Conforms to ANSI/BHMA A156.115
- Door Thickness: 1 $\frac{3}{8}$ " (35 mm) – 2 $\frac{3}{4}$ " (70 mm)
- Faceplate: Square Corner, 1 $\frac{1}{16}$ " (27 mm) or 1 $\frac{1}{4}$ " (32 mm) wide
- Backsets: 2 $\frac{3}{4}$ " (70 mm)

**For Mortise Case Dimensions, see Template L1**

**For Mortise Strike Dimensions, see Templates J918, J919, and J557**

**Left Hand (LH) Door Shown**



Dimensions shown in parentheses ( ) are in millimeters.

Door preparation template

# AD106



[Return to Index](#)



# AD-Series

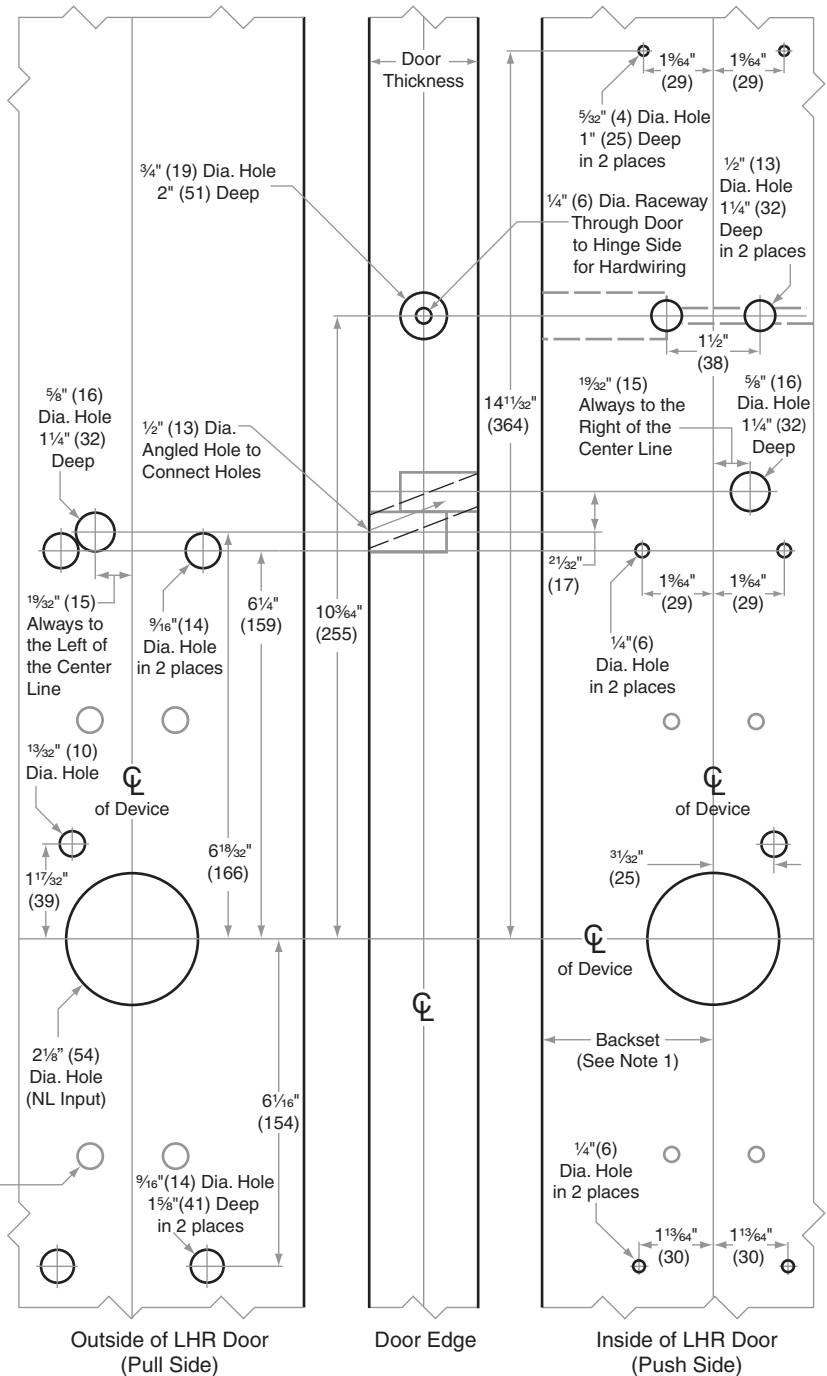
Models AD-200/250/300/400-993R/S

Door Type: Wood Exit Devices: Rim, Surface Vertical  
 Door Thickness: 1 3/4" (44 mm) – 2 3/4" (70 mm)  
 Faceplate: None  
 Backsets: Various

**Left Hand Reverse (LHR)  
Door Shown**

**Note 1:  
For Backset, See Applicable  
Von Duprin 98-R/99-R,  
9827/9927, 22-R, or 2227  
Series Exit Device Template.**

98/99 Exit Device  
Holes in 4 places  
for Reference Only



Dimensions shown in parentheses ( ) are in millimeters.

Door preparation template

# AD107





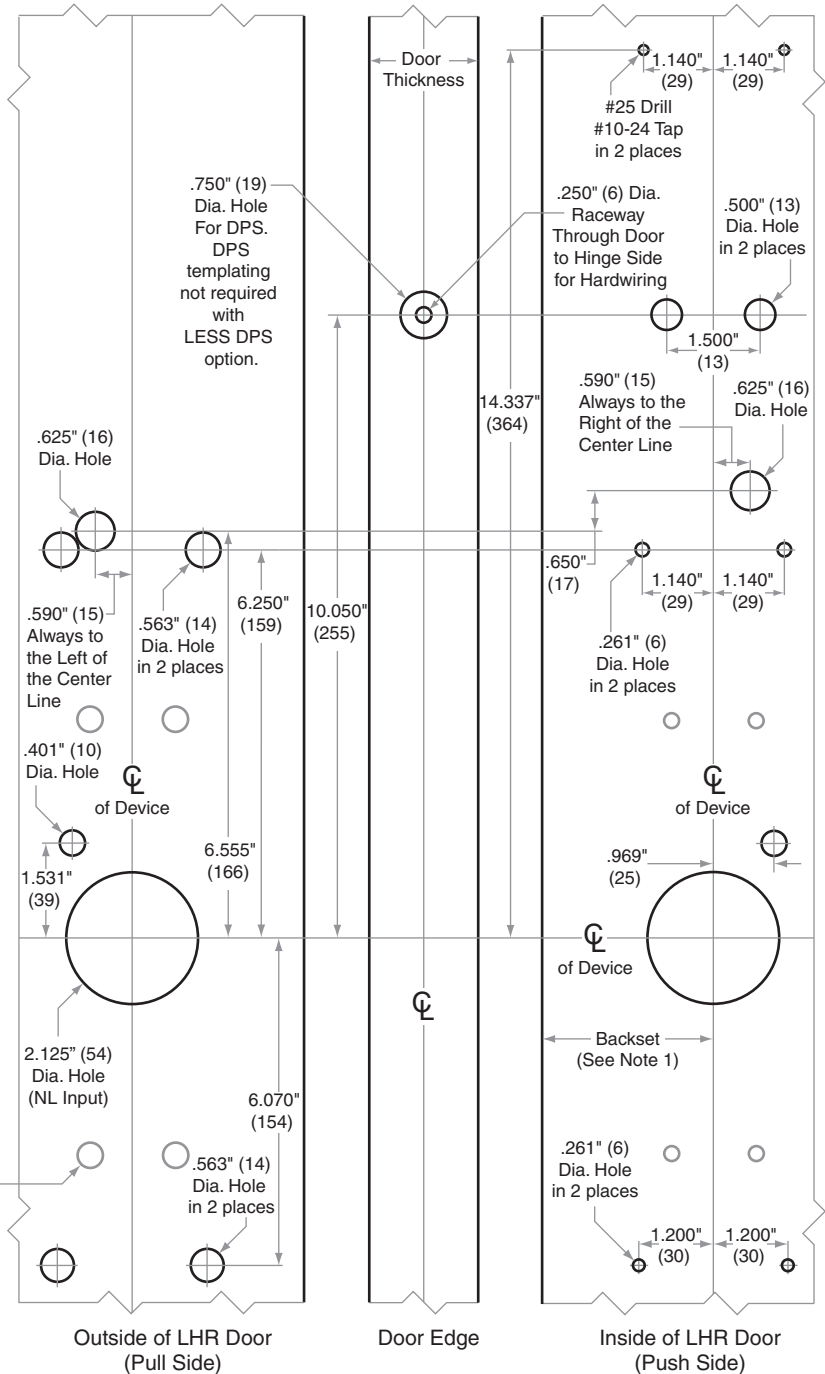
[Return to Index](#)



# AD-Series

Models AD-200/250/300/400-993R/S

Door Type: Metal Exit Devices: Rim, Surface Vertical  
 Door Thickness: 1¾" (44 mm) – 2¾" (70 mm)  
 Faceplate: None  
 Backsets: Various



**Left Hand Reverse (LHR)  
Door Shown**

**Note 1:  
For Backset, See Applicable  
Von Duprin 98-R/99-R,  
9827/9927, 22-R, or 2227  
Series Exit Device Template.**

98/99 Exit Device Holes  
in 4 places  
for Reference Only

Dimensions shown in parentheses ( ) are in millimeters.

Door preparation template

# AD108



[Return to Index](#)

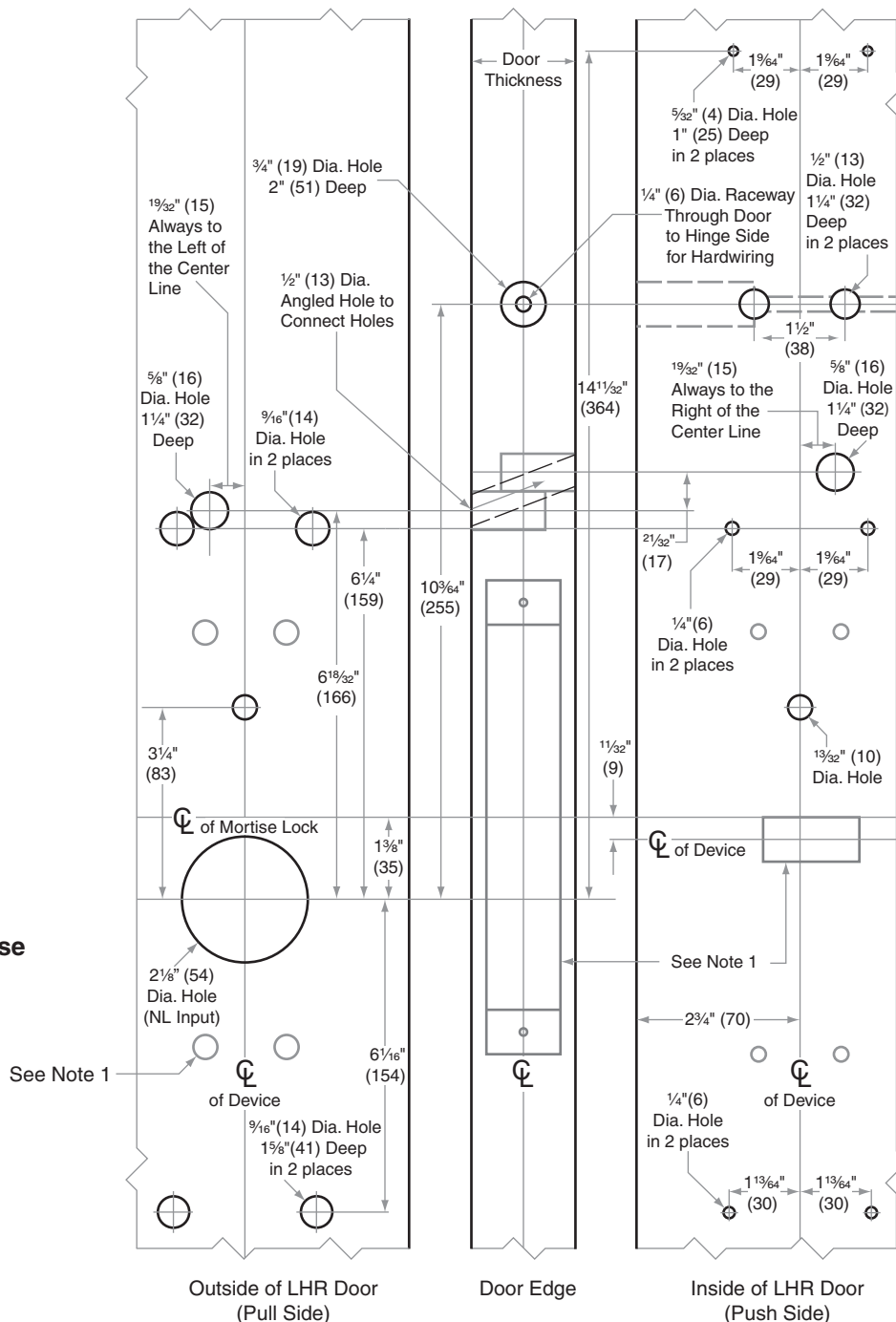


ALLEGION™

# AD-Series

Models AD-200/250/300/400-993M

Door Type: Wood Exit Devices: Mortise  
 Door Thickness: 1 3/4" (44 mm) – 2 3/4" (70 mm)  
 Faceplate: None  
 Backsets: Various



**Left Hand Reverse (LHR)  
Door Shown**

**Note 1:  
For Mortise Lock and Mortise  
Exit Device Preparation  
See Von Duprin 98/9975  
Series Templates**

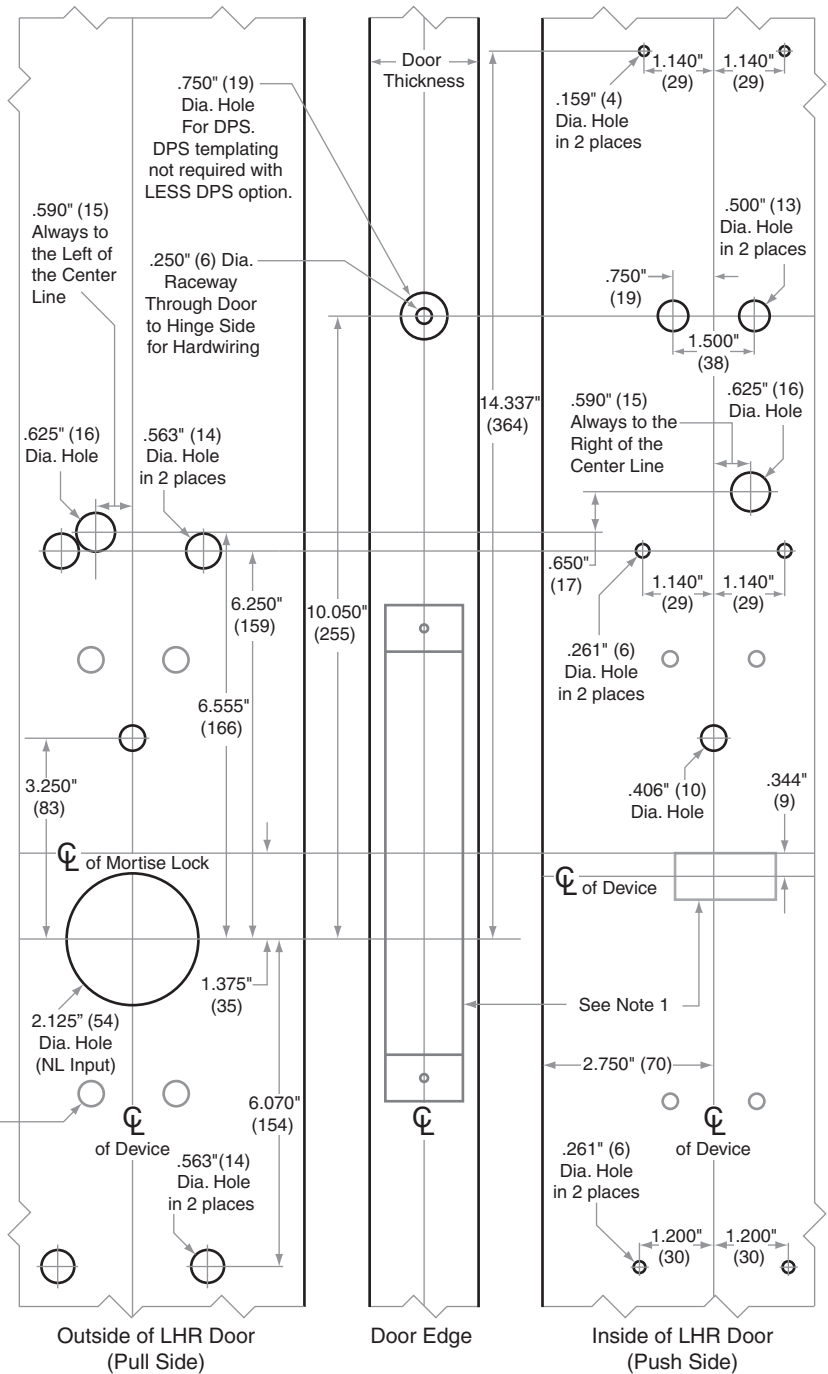
Dimensions shown in parentheses ( ) are in millimeters.

Door preparation template

# AD-Series

Models AD-200/250/300/400-993M

Door Type: Metal Exit Devices: Mortise  
 Door Thickness: 1¾" (44 mm) – 2¾" (70 mm)  
 Faceplate: None  
 Backsets: Various



**Left Hand Reverse (LHR)  
Door Shown**

**Note 1:  
For Mortise Lock and Mortise  
Exit Device Preparation  
See Von Duprin 98/9975  
Series Templates**

Dimensions shown in parentheses ( ) are in millimeters.

Door preparation template



# AD-Series

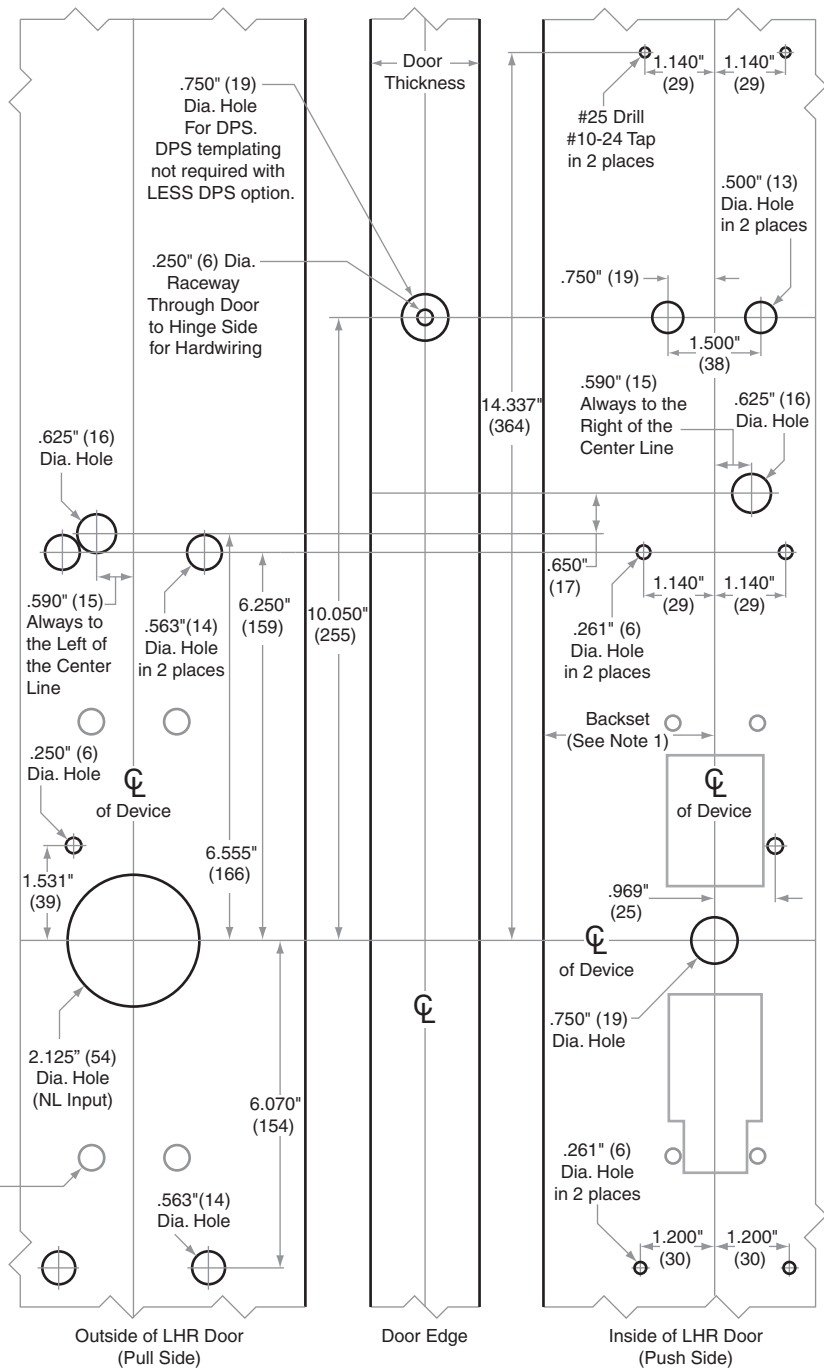
Models AD-200/250/300/400-993R

Door Type: Metal    Exit Devices: Concealed Vertical  
 Door Thickness: 1¾" (44 mm) – 2¾" (70 mm)  
 Faceplate: None  
 Backsets: Various

## Left Hand Reverse (LHR) Door Shown

**Note 1:**  
 For backset and exit device cutouts, see Von Duprin 9847/9947 series exit device templates.

98/99 Exit Device Holes in 4 places for Reference Only



Dimensions shown in parentheses ( ) are in millimeters.

Door preparation template



# AD-Series

Models AD-993LLL, AD-993-DT

**Door Type:** Wood, **Exit Devices:** Dummy Trim less Reader or Dummy Trim with Dummy Reader cover for Exit Rim, Concealed Vertical Cable, Concealed Vertical Rod, Surface Vertical Rod or Mortise

**Door Thickness:** 1¾" (44 mm) – 2¾" (70 mm)

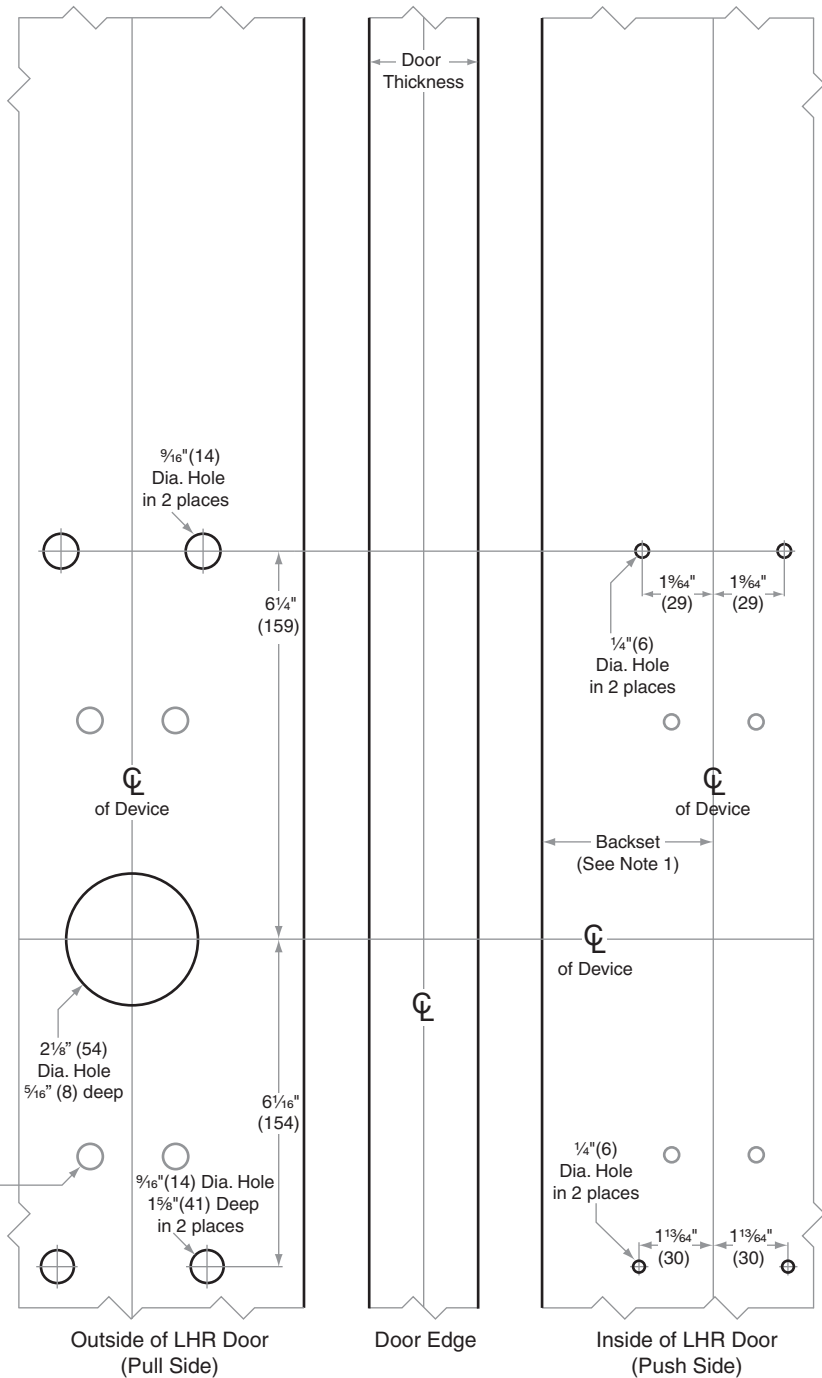
**Faceplate:** None

**Backsets:** Various

## Left Hand Reverse (LHR) Door Shown

**Note 1:**  
**For Backset, See Applicable Von Duprin 98-R/99-R, 9827/9927, 22-R, or 2227 Series Exit Device Template.**

98/99 Exit Device Holes in 4 places for Reference Only



Dimensions shown in parentheses ( ) are in millimeters.

Door preparation template



# AD-Series

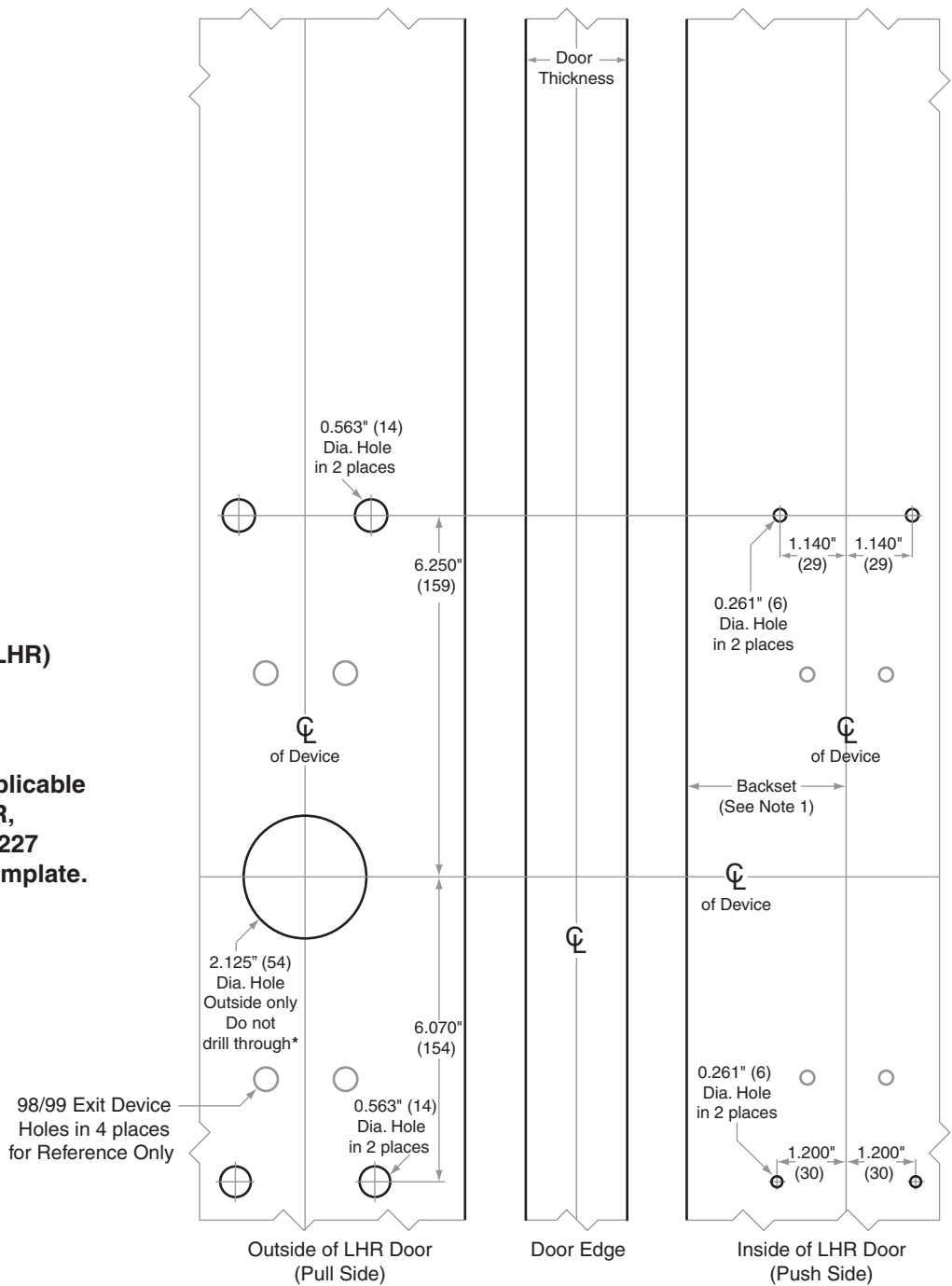
Models AD-993LLL, AD-993-DT

- Door Type:** Metal, **Exit Devices:** Dummy Trim less Reader or Dummy Trim with Dummy Reader cover for Exit Rim, Concealed Vertical Cable, Concealed Vertical Rod, Surface Vertical Rod or Mortise
- Door Thickness:** 1¾" (44 mm) – 2¾" (70 mm)
- Faceplate:** None
- Backsets:** Various

## Left Hand Reverse (LHR) Door Shown

**Note 1:**  
**For Backset, See Applicable Von Duprin 98-R/99-R, 9827/9927, 22-R, or 2227 Series Exit Device Template.**

\* For metal door with core, drill 0.3125" (8 mm) deep.



Dimensions shown in parentheses ( ) are in millimeters.

Door preparation template