

**GENERAC®**

# PWRCELL

**SOLAR + BATTERY STORAGE SYSTEM**



Power your home, save money  
and prepare for power outages  
with the Generac PWRcell™  
Solar + Battery Storage System



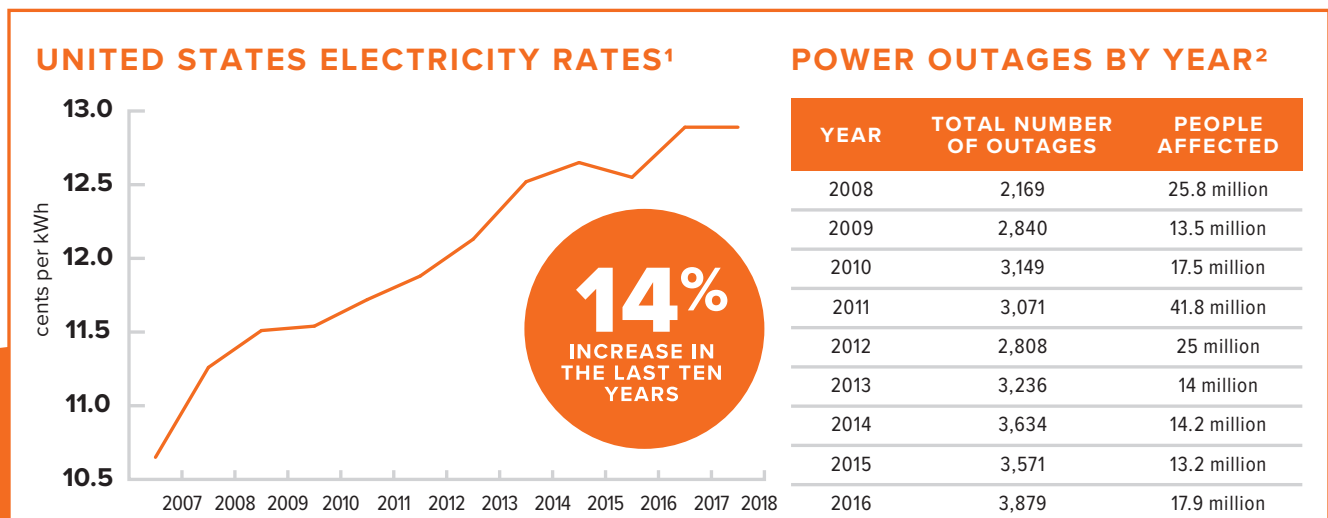
# Electricity rates & power outages are increasing

Electric utility rates are on the rise, with no relief in sight. In the last 10 years, rates have increased 14%.<sup>1</sup> Paying more for electricity can prevent you from investing in the things that matter the most to you, such as:

- Dream Vacation
- Home Improvement Projects
- Financial Freedom
- Child's/Grandchild's College Fund
- Retirement Savings

Additionally, the electrical power grid continues to age, making it less reliable and more susceptible to power outages that can leave you without lights, refrigeration, Internet access, and in some areas water.

You need an innovative solution that will power your home, lower your monthly electric bill and help you prepare for power outages.



<sup>1</sup>Source: EIA (U.S. Energy Information Administration)

<sup>2</sup>2017 Eaton Blackout Tracker

# Power Your Home & Save Money with PWRcell

Never be surprised by high electricity bills or utility power outages again when you have the Generac PWRcell solution, a fully integrated solar + battery storage system. With PWRcell, easily power your home, save money and be prepared for power outages. Best of all, it's environmentally friendly.



## SAVINGS POWERED BY THE SUN

Use stored energy from solar panels to power your home, which reduces your electric utility costs\*



## BACKUP POWER

Provides backup power during utility power outages

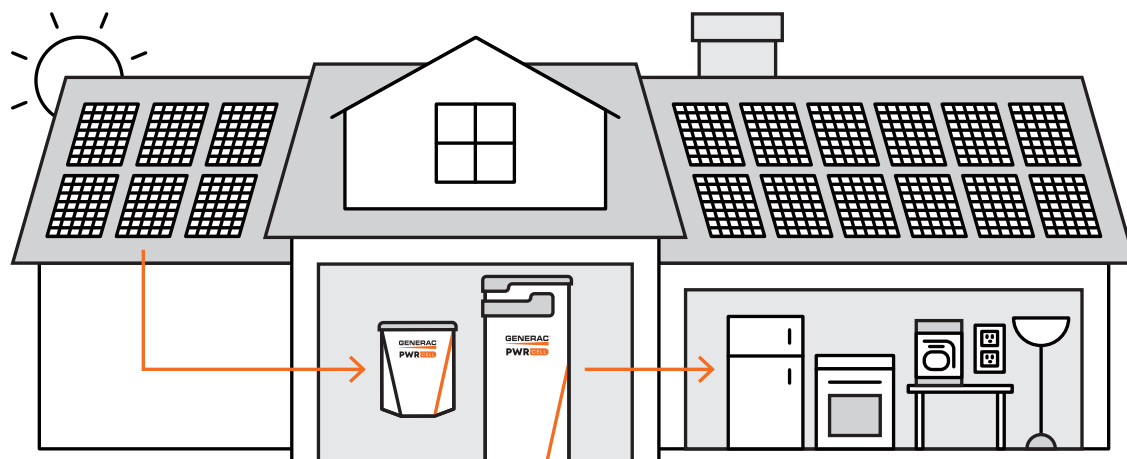


## ENVIRONMENTALLY FRIENDLY

100% emission and fossil fuel free



## Here's how it works



1

PWRcell stores energy from solar panels\*

2

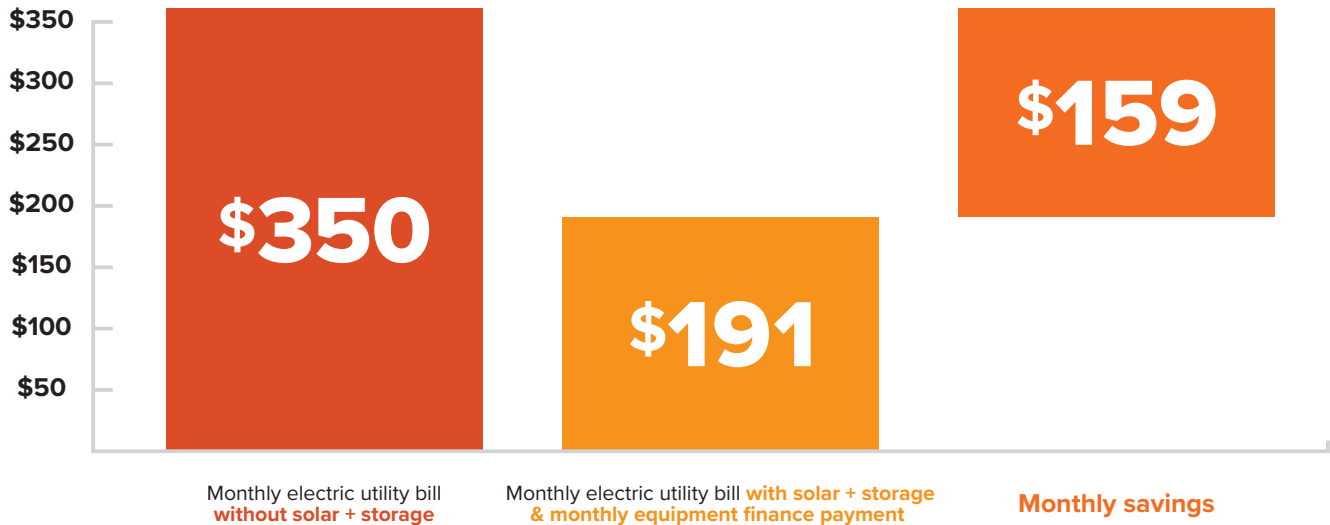
Use stored energy to power your home – day or night

3

During a utility power outage, the energy stored in PWRcell can also be used to provide backup power, so your family and home stay comfortable and safe

# Save thousands with PWRcell

When you have PWRcell's fully integrated solar + battery storage system, you can power your home and put thousands of dollars back into your wallet.



That's a savings of **\$64,217\*** over 25 years!

## Cost breakdown

PWRcell Battery Storage System (8.6kWh) <i>INSTALLATION INCLUDED</i>	+\$20,000
22 x Solar Power Panels (7.6kWh) <i>INSTALLATION INCLUDED</i>	+\$23,544
<b>TOTAL SYSTEM COST</b>	<b>\$43,544</b>
26% Investment Tax Credit**	-\$11,321
<b>FINAL COST OF SOLAR SYSTEM</b>	<b>\$32,223</b>

## Savings breakdown

Monthly electric utility bill without solar + storage	\$350
Monthly electric utility bill with solar + storage & equipment finance payment	\$191 <sup>†</sup>
<b>ESTIMATED MONTHLY SAVINGS</b>	<b>\$159</b>

\*Monthly electric utility bill per month based on a customer testimonial. Example based on a 3,000-square foot home in San Diego, CA. Savings and system production will vary based on final design, utility rates, and household energy usage. The actual savings vary based on a number of factors, including weather, shading from growing trees, system components, future electricity use, and the fluctuation of the price of electric in the utility district. Assumes an annual electric utility rate increase of 2.39% (Source: U.S. Energy Information Administration).

**\$0 DOWN<sup>†</sup>**  
Easy Payment  
Plans Available

\*Excludes repair or replacement of components outside of warranty.  
\*\*Not everyone is eligible for the federal and state tax credits/rebates or can use them. Please consult your tax or legal professional for more details.

<sup>†</sup>Assumes a 25-year loan with a 4% fixed interest rate with a principal of \$43,544. This is not an offer for financing. For special financing, contact a Generac installer.

# Why PWRcell?

If you're looking for a fully-integrated solar + battery storage system, the Generac PWRcell is the right solution for you. When compared to other systems on the market, PWRcell outshines the competition.

**In a side-by-side comparison to the Tesla Powerwall, the Generac PWRcell system offers:**

- 27% More Battery Capacity
- 34% More Continuous Power
- 43% More Peak Power

	Generac	Tesla Powerwall <sup>□</sup>
Storage Capacity	17.1kWh	13.5kWh
Continuous Power	6.7kW	5kW
Peak Power	10kW	7kW

\*Figures based on single storage cabinet of battery modules  
<sup>□</sup>Tesla specifications per Tesla Powerwall specification sheet.

## THE PWRcell SYSTEM

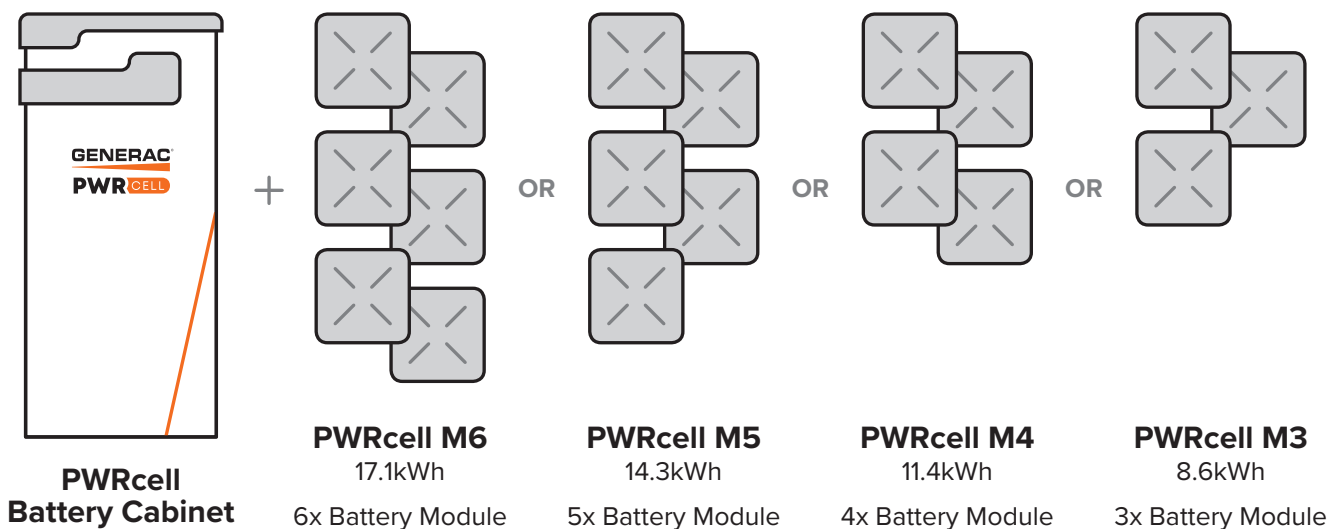
The standard Generac PWRcell system provides 8.6kWh of storage capacity and includes:

- 1 Inverter
- 1 Battery Storage Cabinet
- 3 Lithium Ion Battery Modules

PWRcell pairs with solar panels from most manufacturers. Based on your needs and your budget, installation partners can determine the right panels for your home.

## CUSTOMIZABLE OPTIONS

The Generac PWRcell features a modular design that allows you to expand your storage capacity as your power needs evolve. This flexibility allows you to start out with an 8.6kWh solar + battery storage system, and expand in increments of 2.85kWh up to 34.2kWh.



**10-Year Limited Warranty** included with the PWRcell!

# Whole Home Power Outage Protection

Power outages are unpredictable, inconvenient and disruptive. They are occurring more frequently and lasting longer. During a power outage, you'll have no lights, no refrigeration, no Internet access, and in some areas, no water. But when you have the PWRcell, you stay comfortable and your home is safe.

When PWRcell is paired with the PWRcell™ Automatic Transfer Switch (ATS) and Smart Management Modules (SMMs), your system will automatically send power to the appliances that need it most, allowing you to power more than just the essentials during a utility power outage.

This complete system can generate 80% more continuous power than competitive units.



## Automatic Transfer Switch

An integrated solar + battery storage system with load management for whole home coverage is made easy with the PWRcell™ Automatic Transfer Switch (ATS). Power your home and manage up to four individual HVAC (24 Vac controlled) loads with the PWRcell ATS.



## Smart Management Modules

Generac's Smart Management Modules (SMMs) allow PWRcell™ to make the most of its leading backup power capabilities and capacity by helping to prevent system overload and allowing lockout of select connected loads for power usage management during a utility outage.

**GENERAC**

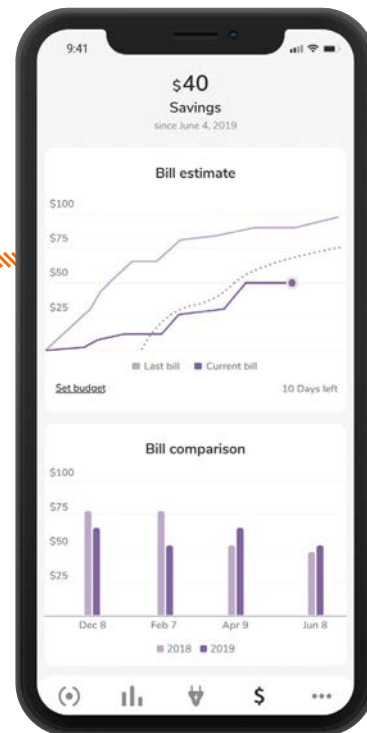
# PWRVIEW

## HOME ENERGY MONITORING

Save even more on your monthly electric utility bill with the PWRview Home Energy Monitoring System. PWRview is a standard feature within PWRcell that allows you to monitor your electricity usage. Using detailed reports, provided in the easy-to-use PWRview app, conveniently access your home's energy information from your smartphone, tablet or computer.

With the PWRview system and app, you can:

- See real-time energy usage at a glance
- Better understand your home's energy profile
- Access daily energy intelligence & insights including daily consumption, solar generation and battery usage, as well as bill estimates and savings
- Eliminate surprises with detailed bill tracking, forecast and history



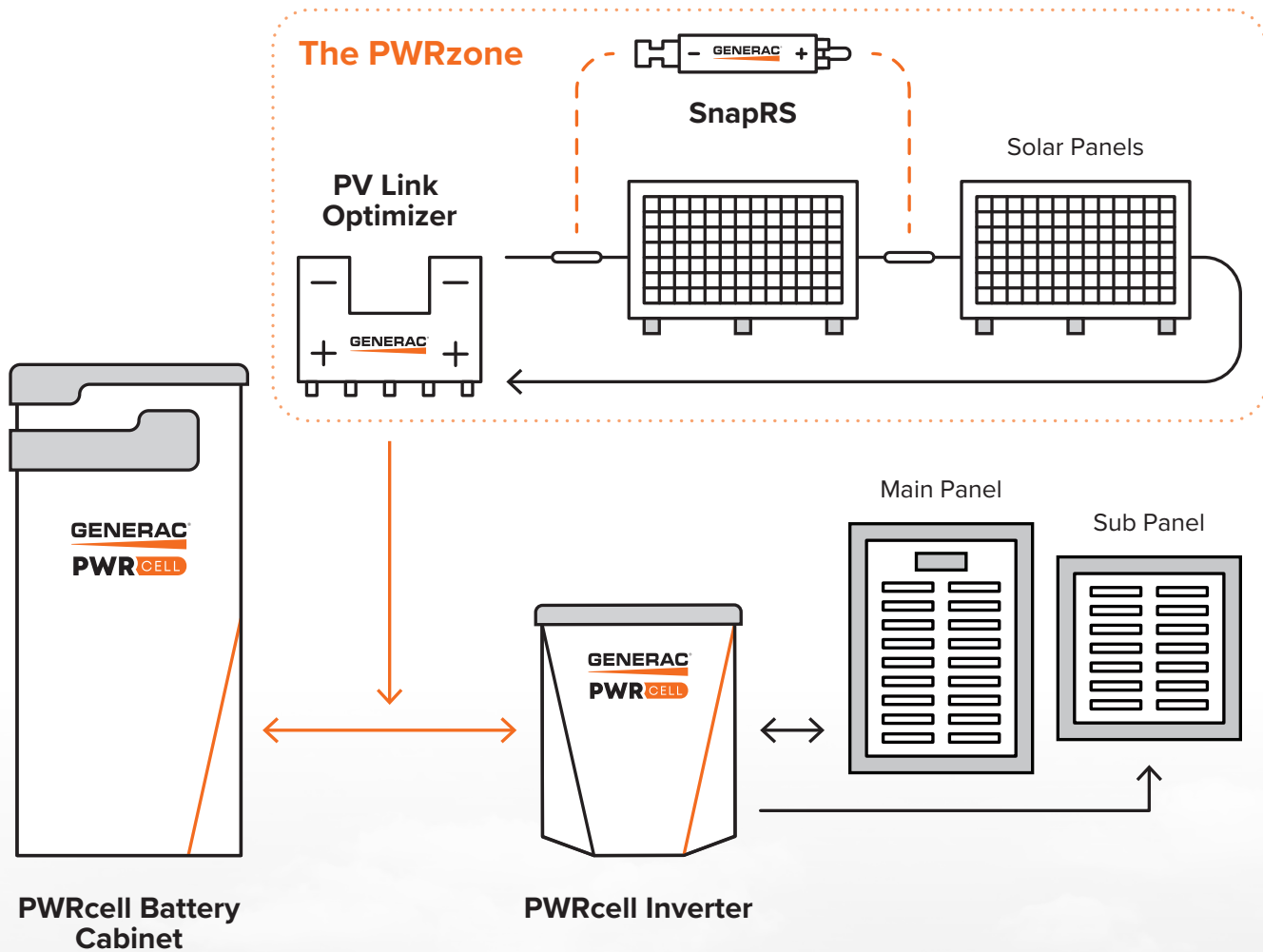
The PWRview for PWRcell app is available for download on Apple® and Android™ devices.



# Fully integrated solar + storage

PWRcell is the first fully integrated solar + battery storage system. All of the components, from the batteries to the inverter, down to the rapid shutdown device and solar array performance optimizers are designed by Generac to work seamlessly together.

The Generac PWRcell is also easy to install. Generac's innovative PWRzone design combines optimal performance with fewer complex components, which allows for a faster, more efficient installation.







**PV Link**  
Optimizer



**SnapRS**  
Rapid Shutdown Device

Each PV Link allows you to connect 2 to 9 solar PV modules, enabling you to build a flexible, easy-to-install solar array.

SnapRS is an in-line disconnect device that helps to satisfy module-level rapid shutdown requirements.

**SOLAR PANEL CAPABILITY**

The PWRcell system can be paired with most DC solar panels (sold separately).

**100% NATIONAL ELECTRIC CODE (NEC) COMPLIANT**

SnapRS and PV Link Optimizers meet NEC 2017 and NEC 2020 PV rapid shutdown requirements.

**SAFE**

SnapRS and PV Link Optimizers are listed to UL 1741 and rapid shutdown compliant. PV Link helps to further protect equipment by automatically detecting arc and ground faults.

# Overview of technical specifications

PWRcell™ BATTERY CABINET	M3	M4	M5	M6
BATTERY MODULES:	3	4	5	6
USABLE ENERGY:	8.6kWh	11.4kWh	14.3kWh	17.1kWh
POWER - RATED CONTINUOUS:	3.4kW	4.5kW	5.6kW	6.7kW
POWER - 60 MINUTES:	4.2kW	5.6kW	7.0kW	8.4kW
POWER - 2 MINUTES:	5.0kW	6.7kW	8.4kW	10.0kW
REbus™ VOLTAGE - INPUT/OUTPUT:	360-420 VDC			
MODULE VOLTAGE:	46.8 VDC			
ROUND-TRIP EFFICIENCY:	96.50%			
OPERATING TEMPERATURE - FAHRENHEIT (CELSIUS):	41 to 113 °F (5 to 45 °C)			
RECOMMENDED AMBIENT TEMPERATURE - FAHRENHEIT (CELSIUS):	55 to 86 °F (13 to 30 °C)			
MAXIMUM INSTALLATION ALTITUDE - FT (M):	9834 (3000)			
DIMENSIONS, L x W x H - IN (MM):	22" x 10" x 68" (559 x 254 x 1727)			
WEIGHT, ENCLOSURE - LB (KG):	115 (52)			
WEIGHT, INSTALLED - LB (KG):	280 (127)	335 (152)	390 (178)	445 (202)
WARRANTY - LI-ION MODULES:	10 Years, (7.56MWh)			
WARRANTY - ELECTRONICS AND ENCLOSURE:	10 Years			
COMMUNICATION PROTOCOL:	REbus™ DC Nanogrid™			
COMPLIANCE:	UL 9540, UL 1973, UL 1642, CSA 22.2			

PWRcell™ INVERTER			
ISLANDING <sup>1</sup> :	Yes	ENCLOSURE KNOCKOUTS - QTY, SIZE - IN (MM):	6 x Combo 3/4" x 1" (19 x 25.4) 7 x Combo 1/2" x 3/4" (12.7 x 19)
GRID SELL:	Yes	DIMENSIONS L x W x H - IN (MM):	24.5" x 19.25" x 8" (622.3 x 488.9 x 203.2)
SELF CONSUMPTION:	Yes	WEIGHT - LB (KG):	62.7 (28.4)
PRIORITIZED CHARGING FROM RENEWABLES:	Yes	COOLING:	Forced convection
GRID SUPPORT - ZERO EXPORT:	Yes	AUDIBLE NOISE:	< 40 dBA
ESS PCS OPERATION MODES (IMPORT ONLY, EXPORT ONLY):	Yes	OPERATING TEMPERATURE - FAHRENHEIT (CELSIUS):	-4 to 122 °F (-20 to 50 °C) <sup>2</sup>
SUPPORTED COMMUNICATION INTERFACES:	REbus™, CANbus, Ethernet	PROTECTION RATING:	NEMA 3R
SYSTEM MONITORING:	PWRview™ Web Portal and Mobile App	BATTERY TYPES SUPPORTED:	PWRcell™ Battery
BACKUP LOADS DISCONNECT <sup>1</sup> :	Yes, 50 A Circuit Breaker	MODULE STRING SIZE PER PV LINK OPTIMIZER:	Varies, refer to PV Link Installation Manual
INVERTER BYPASS SWITCH:	Automatic	MAXIMUM RECOMMENDED DC POWER FROM PV:	15 kW
WARRANTY:	10 Years	BATTERY TYPES SUPPORTED:	PWRcell™ Battery
SAFETY:	UL 1741 SA, CSA 22.2, UL 1998	MODULE STRING SIZE PER PV LINK OPTIMIZER:	Varies, refer to PV Link Installation Manual
GRID CONNECTION STANDARDS:	IEEE 1547, Rule 21, Rule 14H, CSIP, UL 1741 PCS CRD (Import Only, Export Only)	MAXIMUM RECOMMENDED DC POWER FROM PV:	15 kW
EMISSIONS:	FCC Part 15 Class B		

<sup>1</sup>3Ø inverters offer islanding for 1Ø loads.

<sup>2</sup>Includes ambient temperature rising from inverter operation. Reduced power at extreme temperatures.

Specifications listed in this document are achieved with firmware version 13290 or greater. Confirm inverter has latest firmware to ensure full performance.

<b>PWRcell™ AUTOMATIC TRANSFER SWITCH</b>	<b>CXSC100A3</b>	<b>CXSW100A3</b>	<b>CXSW200A3</b>
AMPS:	100	100	200
VOLTAGE:	120/240 1Ø	120/240 1Ø	120/240 1Ø
LOAD TRANSITION TYPE (AUTOMATIC):	Open Transition	Open Transition Service Rated	Open Transition Service Rated
ENCLOSURE TYPE:	NEMA 3R	NEMA 3R	NEMA 3R
COMPLIANCE:	UL 1008	UL 1008	UL 1008
WITHSTAND RATING (AMPS):	10,000	10,000	20,000
LUG RANGE:	1/0 - #14	1/0 - #14	250 MCM - #6

<b>SMART MANAGEMENT MODULES</b>	<b>50 AMP (G0070000)</b>	<b>100 AMP (G0070060)</b>
POWER SUPPLY SOURCE:	240 VAC (FROM LINE INPUT)	240 VAC (FROM LINE INPUT)
CONTACTOR VOLTAGES:	220/240 VAC	220/240 VAC
RESISTIVE AMPS:	50	100

<b>PV Link™ (APKE00010)</b>	
RATED POWER <sup>4</sup> :	2500W
PEAK EFFICIENCY:	99%
MPPT VOLTAGE RANGE:	60-360 VMP
MAX INPUT VOLTAGE:	420 VOC; max when cold
MAX OUTPUT:	420 VOC
NOMINAL OUTPUT (REbus™):	380 VDC
MAX OUTPUT CURRENT (CONTINUOUS):	8 A
MAX OUTPUT CURRENT (FAULT):	10 A
MAX INPUT CURRENT (CONTINUOUS):	13 A @ 50°C, 10 A @ 70°C
MAX INPUT SHORT CIRCUIT CURRENT (ISC):	18 A
STANDBY POWER:	< 1 W
PROTECTIONS:	Ground-fault, Arc-fault (Arc-fault Type 1 AFCI, Integrated), PVRSE
MAX OPERATING TEMP: FAHRENHEIT (CELSIUS)	158 °F (70 °C)
SYSTEM MONITORING:	PWRview™ Web Portal and Mobile App
ENCLOSURE:	Type 4X
COMPLIANCE:	UL 1741, CSA 22.2
WARRANTY:	25 Years

<b>SnapRS™ (APKE00011)</b>	
PV MODULE MAX VOC:	75 V
EFFICIENCY:	99.8% <sup>5</sup>
MAX INPUT CURRENT:	13 A
MAX TOTAL QTY IN SUBSTRING:	10
SHUTDOWN TIME:	< 10 Seconds
ENCLOSURE RATING:	NEMA 6P
OPERATING TEMPERATURE - FAHRENHEIT (CELSIUS):	-40 to 158 °F (-40 to 70 °C)
CERTIFICATIONS:	UL1741
PROTECTIONS:	PVRSE
WARRANTY:	25 Years

<sup>4</sup>PV Link can tolerate higher than rated power at its input if Max Input Voltage and Short Circuit Current specifications are not exceeded

<sup>5</sup>When used with a 50V panel

# SAVINGS POWERED BY THE SUN

[WWW.GENERAC.COM](http://WWW.GENERAC.COM)

Generac Power Systems, Inc.  
S45 W29290 Hwy. 59, Waukesha, WI 53189

[www.Generac.com](http://www.Generac.com) | 888-GENERAC (436-3722)

201902109 REV 08/20

©2020 Generac Power Systems. All rights reserved.  
Specifications are subject to change without notice.

**GENERAC**<sup>®</sup>

The logo features the word "GENERAC" in a bold, black, sans-serif font. Below the text is a thick, orange horizontal bar that tapers to a point on the right side.