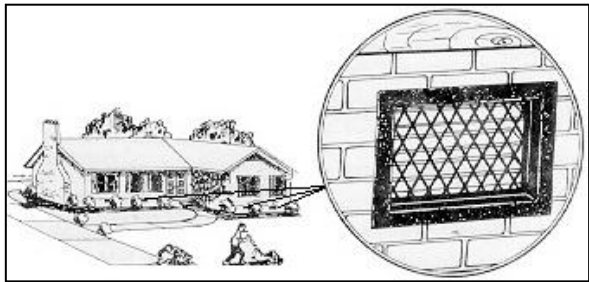
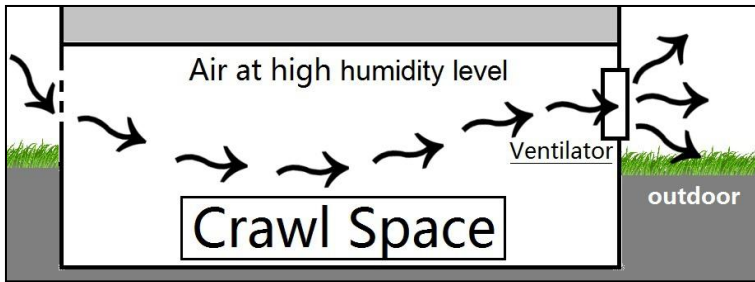


**READ OWNERS INSTRUCTIONS CAREFULLY BEFORE INSTALLATION.  
PLEASE REMAIN THESE INSTRUCTIONS. DO NOT THROW AWAY.**



**DESCRIPTION**

Our DURABLOW Crawl Space Ventilator Fan Kits are designed to enhance the circulation of outdoor air underneath homes & corridors. In order to prevent the rotting of support columns, joists, floors & beam supports, to lower the humidity level in Crawl Spaces is very necessary & important. In addition, humidity helps in fungus growth, and attract termite nesting & breeding here which is harmful for wooden structure buildings / houses.

All Ventilator models are equipped with a built-in thermostat which prevents the fan operation if temperature is below 35°F (approx. 0°C). Advanced models (M1D, M2D, M2D- S430) are equipped with a de-humidistat which activates the ventilator fan when the relative humidity rises above the pre-set “trigger point %”.

**SPECIFICATION**

<p><b>MODEL: <u>M1</u></b>  <b>Air Flow :</b> 110 CFM,  <b>Rating :</b> 120 Volts ~ 50/60 Hz,                  0.30 Amps MAX.  <b>Thermostat :</b>                  On at 50°F, Off at 35°F  <b>Size :</b> 14 3/8” x 6 7/8” x 2”</p>	<p><b>MODEL: <u>M1D</u></b>  <b>Air Flow :</b> 110 CFM,  <b>Rating :</b> 120 Volts ~ 50/60 Hz,                  0.30 Amps MAX.  <b>Thermostat :</b>                  On at 50°F, Off at 35°F  <b>De-humidistat :</b>                  20% - 80% RH Range  <b>Size :</b> 18” x 9” x 2”</p>	<p><b>MODEL: <u>M2D, &amp; M2D-S430</u></b>  <b>Air Flow :</b> 220 CFM  <b>Rating :</b> 120 Volts ~ 50/60 Hz                  0.60 Amps MAX.  <b>Thermostat:</b>                  On at 50°F, Off at 35°F  <b>De-humidistat :</b>                  20% - 80% RH Range  <b>Size :</b> 18” x 9” x 2”</p>
--	---	--

**GENERAL INFORMATION**

All DURABLOW Crawl Space Ventilators are passed factory functional & HIPOT (flashing test) tested. Fan should operate smoothly. The wiring harness / assembly should be secured. If any damages on packing box or item, notify the freight carrier or distributor immediately to file a damage claim / proof. Please email us if you need any assistance. Email: [info@payandpack.com](mailto:info@payandpack.com)

**HOW TO CHOOSE YOUR CRAWL SPACE VENTILATOR**

Calculate the cubical space of your crawl space with the formula **LENGTH x WIDTH x HEIGHT** (by feet). In order to fully ventilate the air of the crawl space in 15 minutes (best effect in practices), divide the cubical space number by 15 to get the minimum required air-flow CFM (models with higher CFM are always recommended).

**EXAMPLE:** 25' x 30' x 3.5' of the crawl space = 2,625 cuft., then, divided by 15 = 175 CFM. So that, at least, two M1 or M1D ventilators (110 x 2 > 175), or one M2D ventilator (220 > 175) are required.

# DURABLOW® CRAWL SPACE VENTILATOR MANUAL (M1, M1D, M2D, M2D-S430)



The DURABLOW Crawl Space Ventilator must be installed by a qualified technician with this instructions / manual. Improper installation can cause a hazardous danger such as fire, electric shock or personal injury or death.

Please contact with DURABLOW ([info@payandpack.com](mailto:info@payandpack.com)) if any questions in installation. Keep the power source disconnected before & during the installation and maintenance.

**CAUTION:** For general home ventilation use ONLY. Not for industrial or exhausting hazardous gases use.

**WARNING:** To avoid the danger of fire or electric shock, do NOT use with any solid-state speed control device.

★ 4 EVA pads are included in box to reduce vibration and noise. Apply on 4 sides of front panel before mounting.

## TOOLS & SKILLS

- 5/16" Nut Runner or Flat Head Screw Driver.
- Drill with 5/16" Masonry Bit if mounting on brick or foundation block.
- Model M1 must be hard wired. Grounding Outlet within 6 feet of Ventilator location (M1D, M2D, M2D-S430).

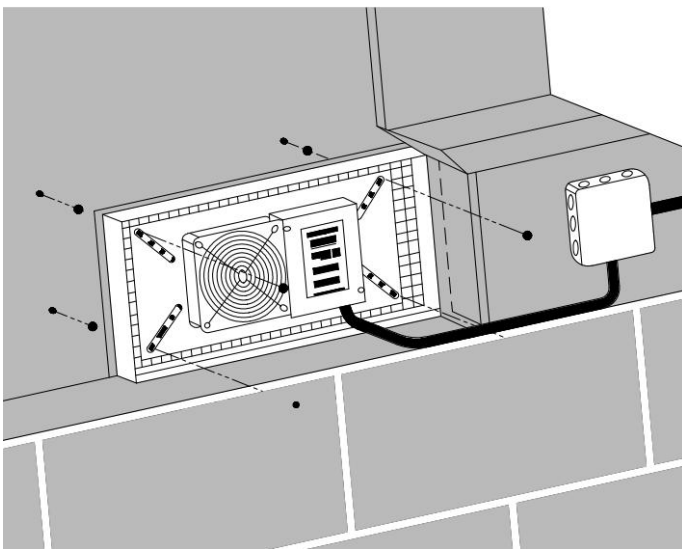
## INSTALLATION

**LOCATION** - Install this Ventilator from inside of the crawl space, behind existing foundation ventilation openings.

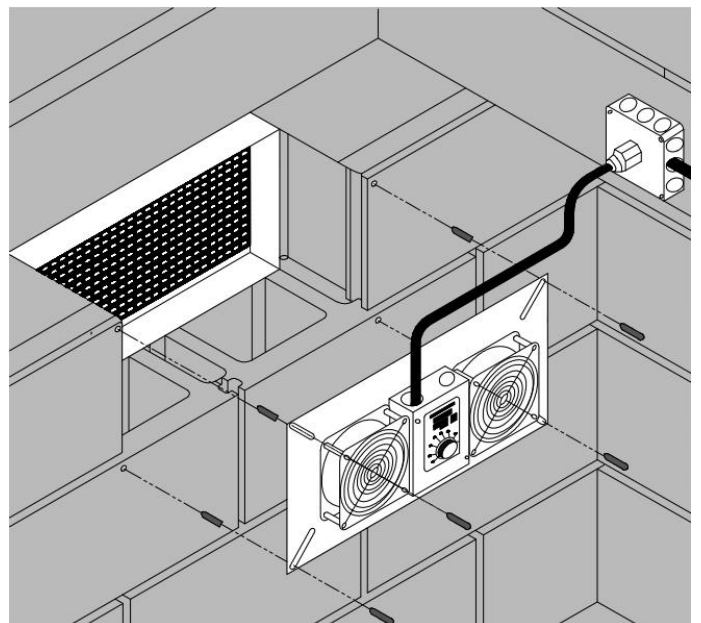
**NOTE:** To make sure pushing the air out of the Crawl Space, the ventilator must be installed with the electrical control box and motor being seen from the inside of the crawl space. (see diagram below).

- Remove the existing doors / covers on ventilation openings around the perimeter of the crawl space.
- Position the Crawl Space Ventilator over the ventilation opening.
- (a) If installing on foundation block or brick, mark location of mounting holes in the four corners of the metal panel plate and drill 5/16" holes with masonry drill bit. Insert wall anchors into openings and secure Crawl Space Ventilator to the wall with four screws. (b) If installing on a wood wall, rim joist or mesh panel on crawl space vent openings, secure your ventilator with screws, washers and nuts in the four corners of the ventilator metal panel plate.

### INSTALLING MODEL M1

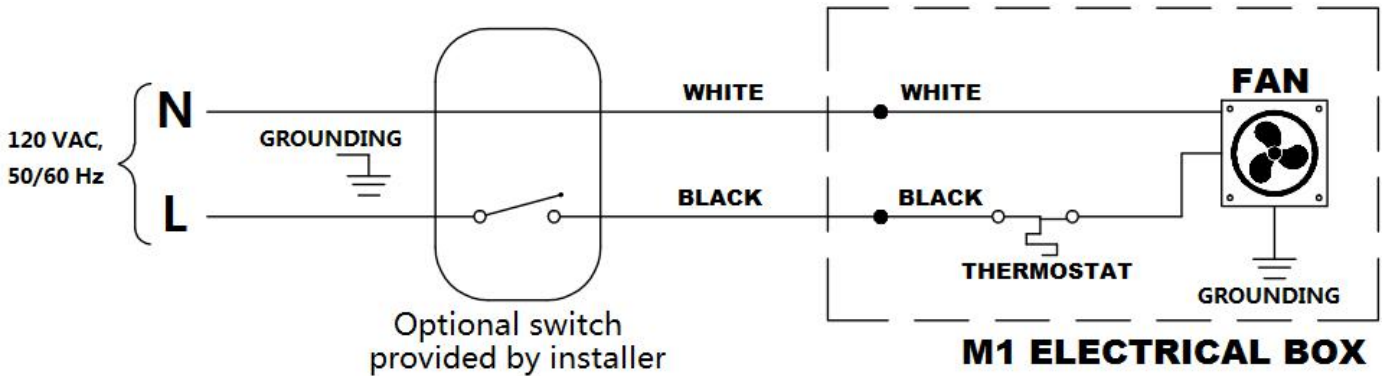


### INSTALLING MODEL M1D, M2D, & M2D-S430 (it is model M2D shown below)

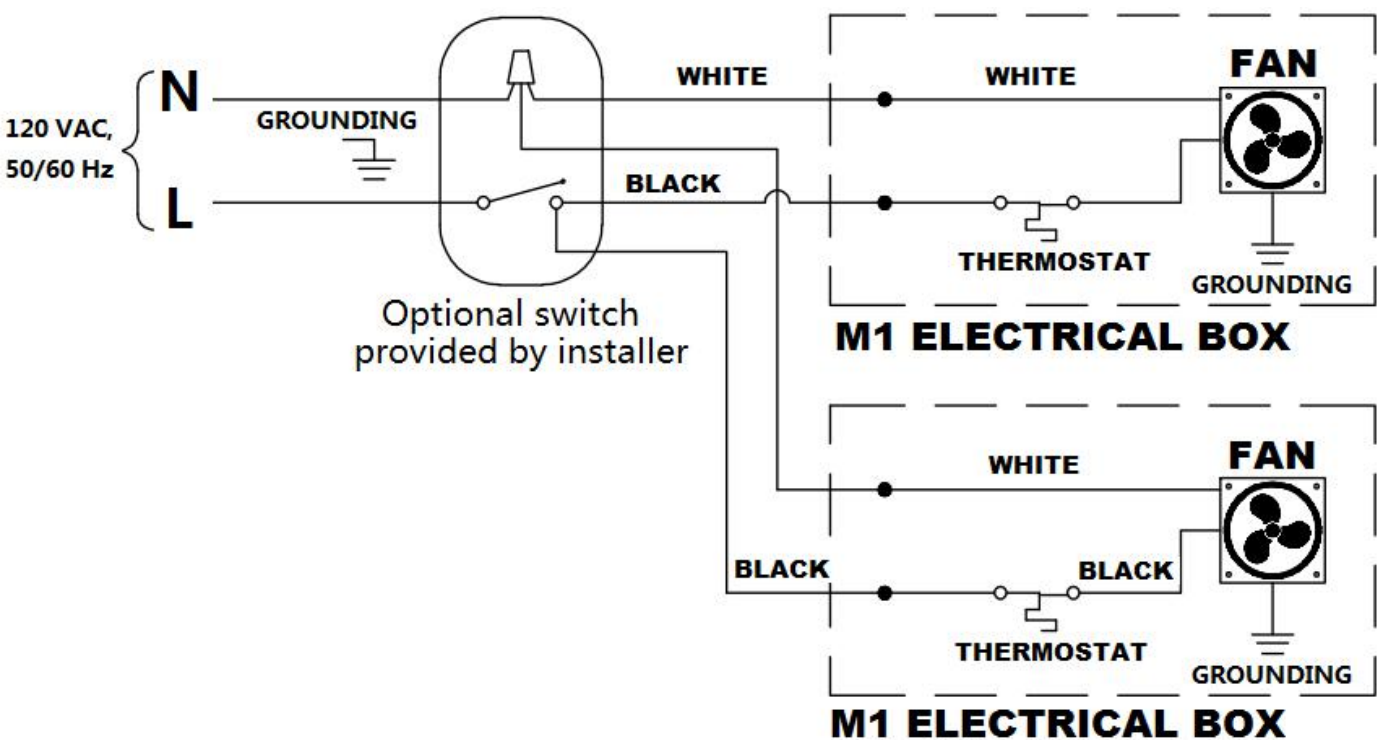


**WIRING**

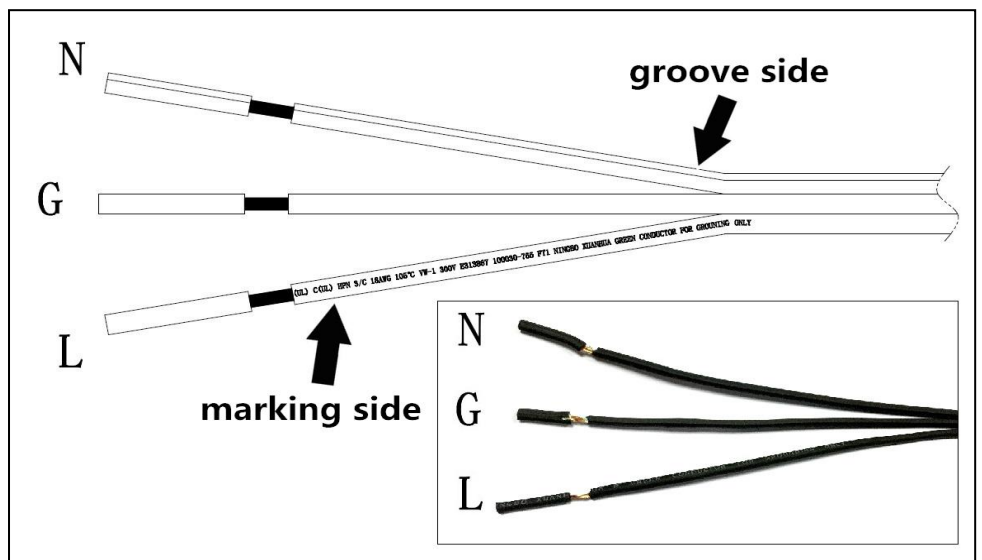
**(a) WIRING A SINGLE MODEL M1**



**(b) WIRING MULTIPLE MODEL M1**

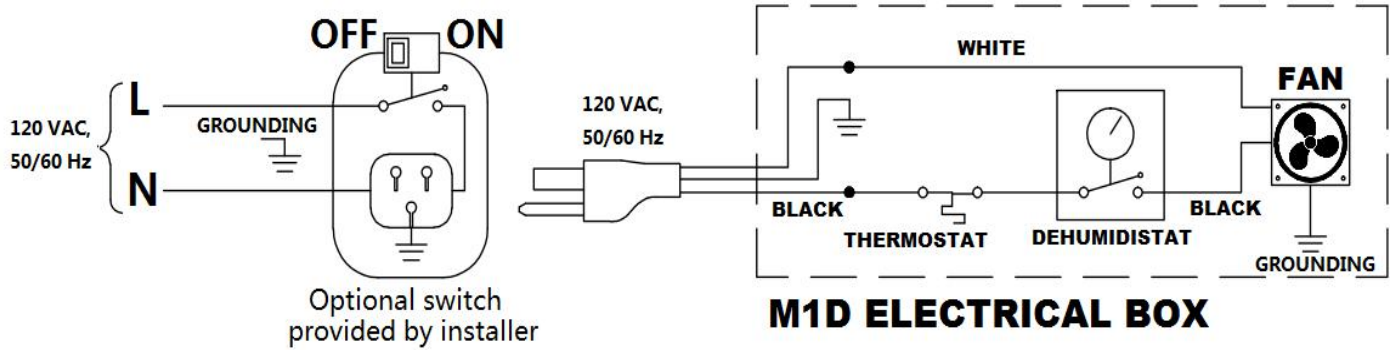


Identify the wires:  
 (N) Neutral wire  
 (G) Grounding / Earth wire  
 (L) Live wire

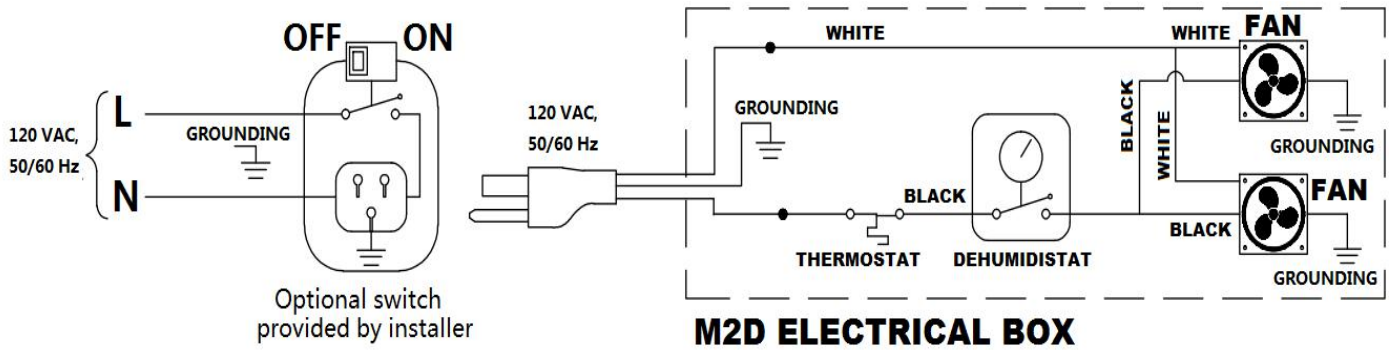


# DURABLOW® CRAWL SPACE VENTILATOR MANUAL (M1, M1D, M2D, M2D-S430)

## (c) MODEL M1D INTERNAL WIRING



## (d) MODEL M2D, & M2D-S430 INTERNAL WIRING



## WARRANTY & CUSTOMER SERVICE

### WARRANTY

“DURABLOW LIMITED ONE YEAR WARRANTY”

**M1, M1D, M2D:** Real 304 Stainless Steel Housing & Panel, UL listed Fan, Thermostat, Dehumidistat, Power Cord.

**M2D-S430:** Real 304 Stainless Steel Housing & Panel, UL listed Fan, Thermostat, Dehumidistat, Power Cord.

DURABLOW warrants to the original purchaser of this product that the product will be free from the defects of faulty materials or assembling for a period of ONE year from the date of original purchase.

Remedies under this warranty are limited to replacing or refunding, at DURABLOW’s options.

If DURABLOW requires the defects which are within the above stated warranty period, they should be returned to DURABLOW appointed address, & return shipping prepaid by customers (return shipping will be refunded).

### CUSTOMER SERVICE

(a) AMAZON and EBAY customers:

For better understanding the order & buyers’ details, please send email to the original seller from the original marketplace platform. EXAMPLE: If you buy from eBay, please send email to the seller on eBay.

(b) Aliexpress, WISH.com, Newegg, Sears...other marketplaces’ customers:

Please send email to [info@payandpack.com](mailto:info@payandpack.com) with your Buyer ID, Order ID, Product ID, Date of Purchase...etc. for faster assistance.

[www.PayandPack.com](http://www.PayandPack.com)

## Using Tips / Notice:

For crawl space ventilators (with dehumidistat) models: M1D, M2D, M2D-S430, MDT2P.

### CRAWL SPACE VENTILATOR FUNCTION EXPLANATION:

---

**Example 1:** Room humidity level **80%**, outside humidity **65%**, which means the lowest room humidity level can reach is 65% (ideally). If you turn the knob on the ventilator fan to set **70%**, the blower is ON, and will be OFF when the room humidity goes down to 70% or lower.

**Example 2:** Room humidity level **80%**, outside humidity **65%**, which means the lowest room humidity level can reach is 65% (ideally). If you turn the knob on the ventilator fan to set **50%**, the blower is ON, and will **NOT** be OFF because 50% can not be reached since this ventilator fan is not a dehumidifier but a ventilation blower (pushing humid air out, and pulling dry air in).

**Example 3:** Room humidity level **80%**, outside humidity **90%**, which means the room humidity level (in crawl space) is even lower than outside's. Therefore, the ventilator fan is not suitable for this circumstance. (Please do NOT use ventilator fan, otherwise, room humidity will increase from 80% to 90%). To lower the room humidity, you need a real DEHUMIDIFIER machine in the crawl space.

### CONCLUSIONS:

1. Ventilator fan will run all the time if you set a very low humidity level which can never be reached.
2. Ventilator fan will stop running when room humidity equals or below the **SET** humidity.
3. Ventilator fan will be OFF if you set a high humidity level, due to point 2.

Hope this helps. Have a good day!

Any questions, please email to [info@payandpack.com](mailto:info@payandpack.com) or go to [www.payandpack.com](http://www.payandpack.com).

Regards.

Durablow® x PayandPack store