

**Part Number: PT546-00120,
PT546-00121**

NOTE: Part number of this accessory may not be the same as the part number illustrated.

Kit Contents

Item #	Quantity Reqd.	Description
1	1	Receiver Assembly Radio Unit
2	1	Owner's Manual
3	1	Hardware Bag
4	1	Conversion Cable: USB
5	1	Conversion Cable : 28Pin
6	1	Conversion Cable : Antenna

General Applicability

All Scion xB

Recommended Sequence of Application

Item #	Accessory

*Mandatory

Vehicle Service Parts (may be required for reassembly)

Item #	Quantity Reqd.	Description

Hardware Bag Contents

Item #	Quantity Reqd.	Description
1	8	Bolt (M5×8)

iPod Cable Contents

Item #	Quantity Reqd.	Description

Additional Items Required For Installation

Item #	Quantity Reqd.	Description

Conflicts

None

Recommended Tools

Personal & Vehicle Protection	Notes
Vehicle protection	Blankets
Special Tools	Notes
USB Flash Drive Media	Must contain MP3 songs
Installation Tools	Notes
Panel Clip Removal Tool	e.g. Toyota SST P/N:- 00002-06002-01
Wrench	Open End, 10mm
Socket	10mm
Screwdriver	Phillips, #2
Torque Wrench	4.1 N·m (36 lbf·in)
Masking Tape	(2'' wide)
Special Chemicals	Notes
None	

Legend



STOP: Damage to the vehicle may occur. Do not proceed until process has been complied with.



OPERATOR SAFETY: Use caution to avoid risk of injury.



CAUTION: A process that must be carefully observed in order to reduce the risk of damage to the accessory/vehicle and to ensure a quality installation.



TOOLS & EQUIPMENT: Used in Figures calls out the specific tools and equipment recommended for this process.



REVISION MARK: This mark highlights a change in installation with respect to previous issue.



SAFETY TORQUE: This mark indicates that torque is related to safety.

Parts Description of Receiver Assembly Radio Unit (PT546-00120 or PT546-00121)



PT546-00120



PT546-00121

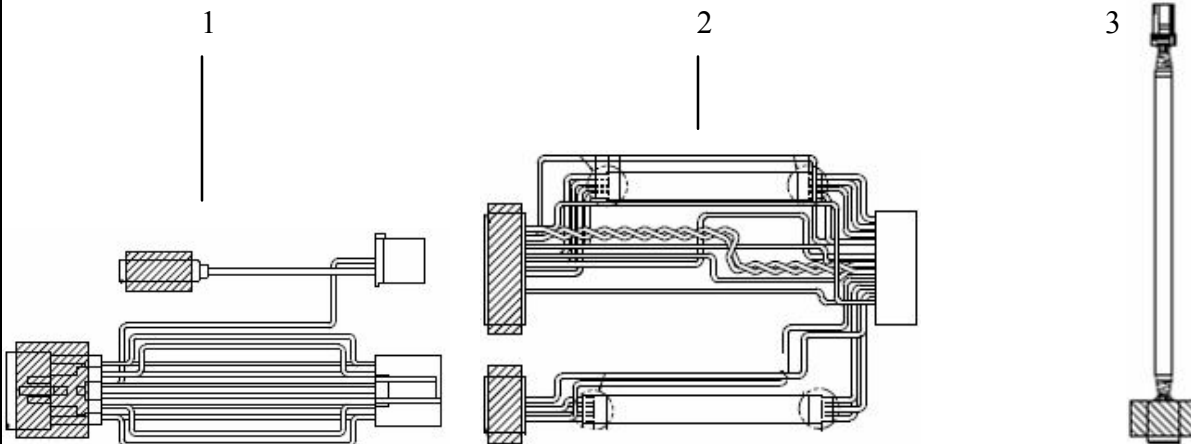
Item #	Parts Name	Parts No.	Qty
1	Receiver Assembly Radio Unit	PT546-00120 or PT546-00121	1

Parts Description of Mounting Kit



Item #	Parts Name	Qty
1	Bolt (M5 x L8)	8

Parts Description of Conversion Cable Harness



Item #	Parts Name	Parts No.	Qty
1	Conversion Cable : Antenna	PT546-00120-AD	1
2	Conversion Cable : 20pin + 8pin to 28pin	PT546-00120-CH	1
3	Conversion Cable : USB	PT546-00120-US	1

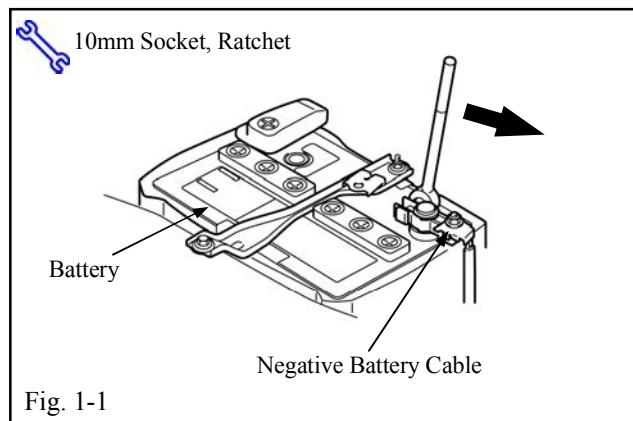
Care must be taken when installing this accessory to ensure damage does not occur to the vehicle. The installation of this accessory should follow approved guidelines to ensure a quality installation.

These guidelines can be found in the "Accessory Installation Practices" document.

This document covers such items as:-

- Vehicle Protection (use of covers and blankets, cleaning chemicals, etc.).
- Safety (eye protection, rechecking torque procedure, etc.).
- Vehicle Disassembly/Reassembly (panel removal, part storage, etc.).
- Electrical Component Disassembly/Reassembly (battery disconnection, connector removal, etc.).

Please see your Toyota dealer for a copy of this document.



1. Vehicle Protection

(a) Remove the negative battery cable (Fig. 1-1).



(1) Protect the fender before starting.

(2) Do not touch the positive terminal with any tool when removing cable.

(b) Check kit contents.

2. Disassembly of Vehicle



NOTE: Place all removed parts on a protected surface.



NOTE: When disconnecting wiring connectors do NOT pull on the wiring, pull on the connector only.

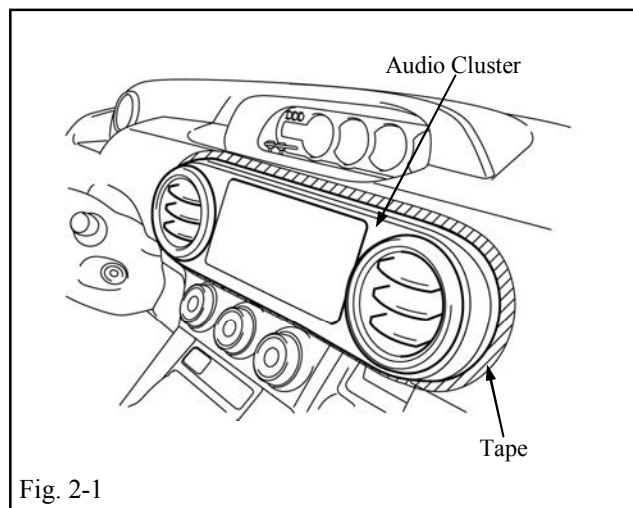


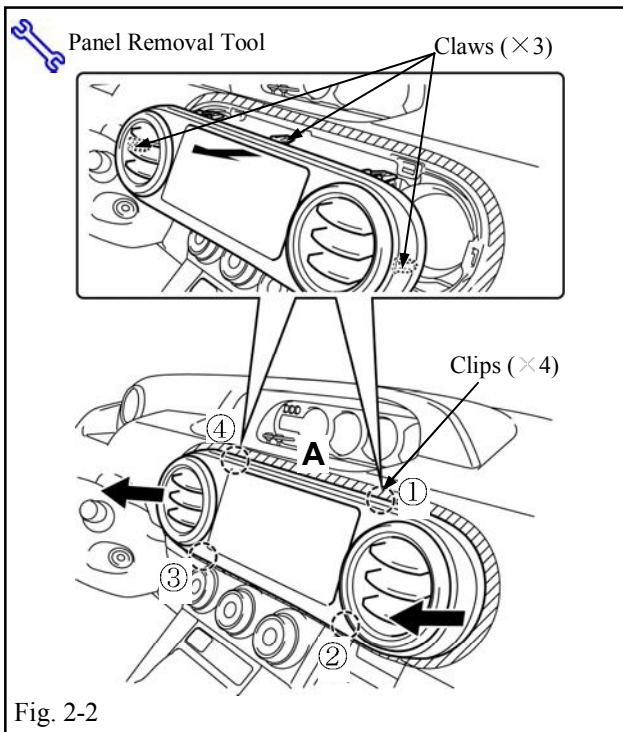
NOTE: Engage the parking brake while working.

(a) Remove the audio cluster.

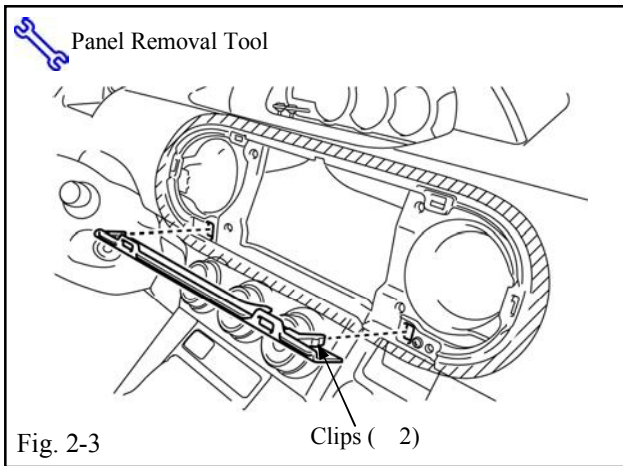


(1) In order to prevent scratches, apply tapes around the audio cluster (shaded areas in the figure) before removing the audio cluster (Fig. 2-1).

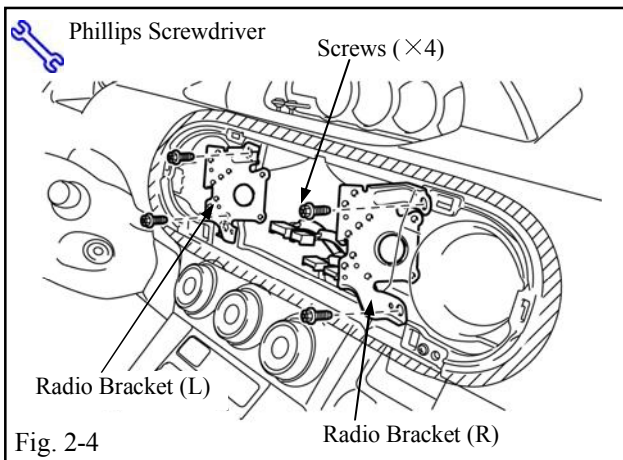




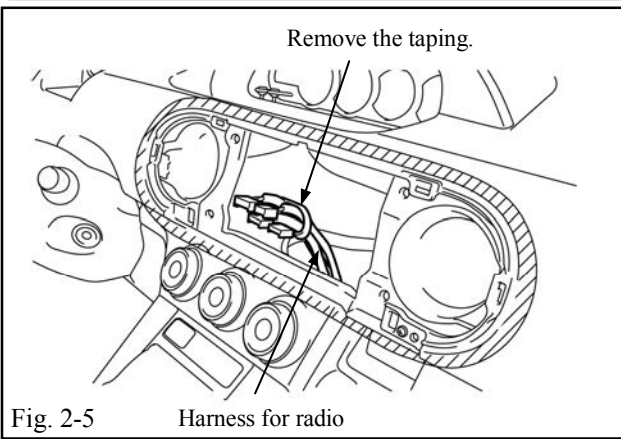
- (2) Insert a removal tool to the section marked "A", and disengage the claws and clips () through (4), then remove the audio cluster (Fig. 2-2).



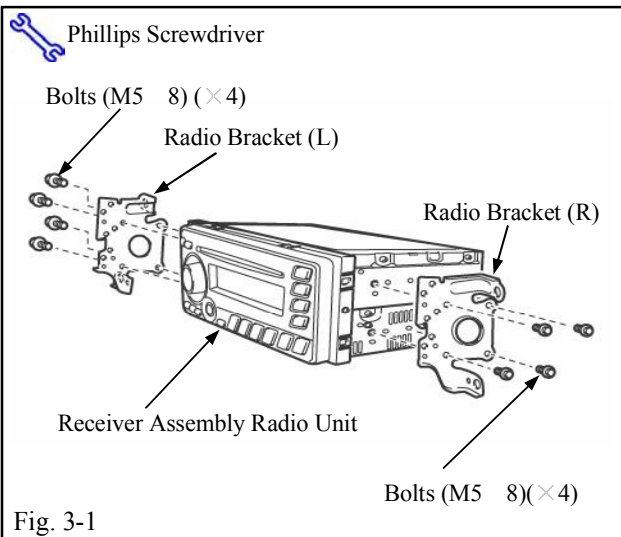
- (3) Disengage the clips and remove the audio cluster under plate (Fig. 2-3).



- (b) Remove the radio brackets (R) and (L) from the interior panel (Fig. 2-4).

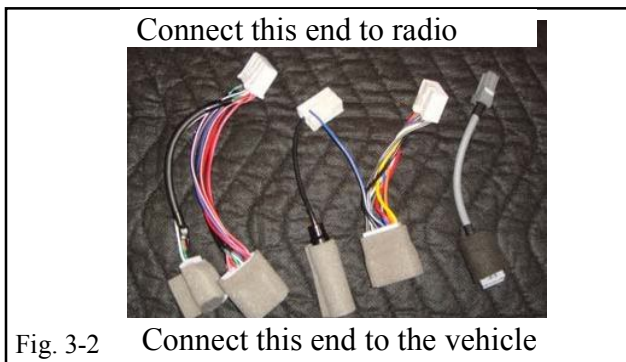


(c) Remove the taping on the harness for the radio unit (Fig. 2-5).

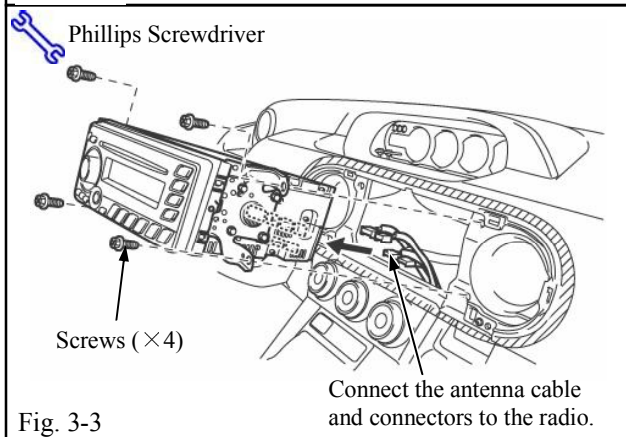


3. Installing the receiver assembly radio unit

(a) Install the radio brackets (R) and (L) on the receiver using the bolts from the hardware bag (Fig. 3-1).

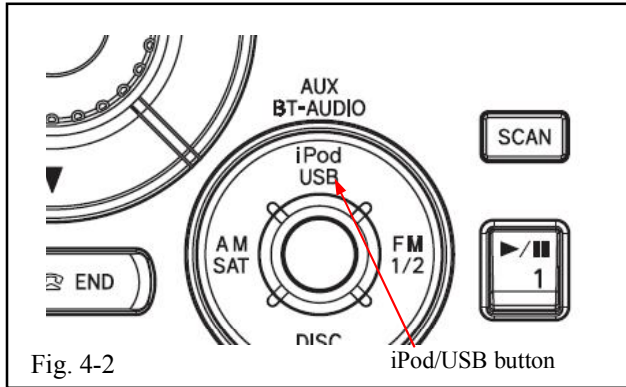


(b) Connect each conversion cable to the vehicle harness, and then to the radio. (Fig. 3-2) Note: the connectors wrapped with foam are to be plugged in to the vehicle harness



(c) Install the receiver in the instrument panel. (Fig. 3-3)

(1) Fasten the receiver assembly radio unit with four screws.



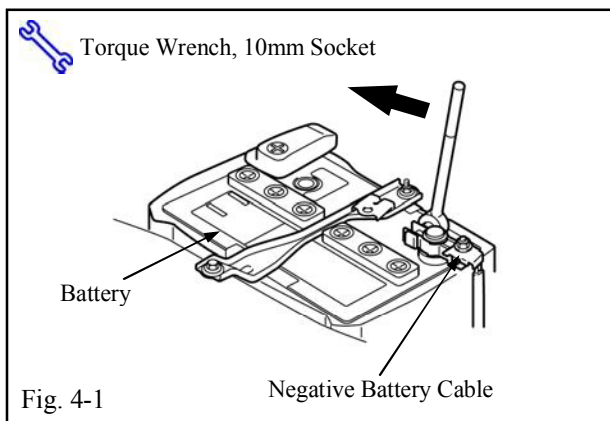
4. USB check procedure.

- (a) Connect the USB flash drive media to the vehicle’s USB/AUX connector. (Fig. 4-1)
- (b) Press iPod/USB button on the head unit to select the USB audio function. (Fig. 4-2)
- (c) Confirm song plays.
- (d) Remove flash drive from USB connector.
- (e) Press the engine switch off.

Note: Select USB mode on the premium radio by pressing the “source” button on the touch display screen, then selecting USB mode.



iPod button



5. Completing the installation

- (a) Complete the reassembly of the vehicle.
 - ⚠ (1) Reconnect any disconnected connectors.
 - ⚠ (2) Verify the panels fit together properly with no uneven gaps between them.
- (b) Clean up and remove any trash.
- (c) Reconnect the vehicle’s negative battery cable to original factory position. (Fig. 4-1).
 - ⚠ (1) Tighten the nut to 4.1 N•m (36 lbf•in).
 - ⚠ (2) Do not touch the positive terminal with any tool when replacing the cable.
- (d) Perform functional checks.
- (e) Place the owner’s manual in the glove box.

Checklist - these points **MUST** be checked to ensure a quality installation.

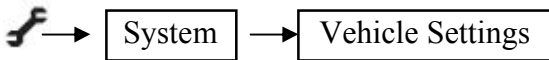
Check:

Accessory Function Checks

- Insert CD audio disc and confirm operation.
- Turn radio on and confirm operation.
- Antenna is functional.
- Fade

- Balance

- PT546-00121: Press following sequence.



PT546-00120: With radio off, press and hold the multi knob for 5 seconds. Then go to Car Type menu.

Look For:

-
- Functioning CD player
 - Radio functions properly.
 - Reception of AM/FM stations
 - Functioning fade, front to rear speakers

 - Functioning balance, left to right speakers

Verify radio's vehicle type is set xB.

Vehicle Function Checks

- Steering Wheel audio controls
- Rheostat

- Functioning audio controls
- Functioning dimmer control