

Description of Series Number System for Vogt Valves

Series Number
(typical)

2" SW12111F8M

Optional specification

SW12111F8M-09

SW12111F8M-09P(EPED)

	Size:
-04	1/2" DN 15
-05	3/4" DN 20
-06	1 DN 25
-07	1 1/4 DN 32
-08	1 1/2 DN 40
-09	2 DN 50
-10	2 1/2 DN 65
-11	3" DN 80
-13	4" DN 100

Prefix:

The letter beginning the Vogt series number is normally indicative of the valve connection. Historically, a few design features have also been used as part of the prefix S, B, and R. A fully female threaded valve as the traditional Vogt standard does not have a prefix number.

Prefix Description:

(Blank) - Female NPT (both ends)
B - Ball Check (female NPT)
BS - Female SW by Male Butt Weld (Extended Body)
BT - Female Thd by Male Butt Weld (Extended Body)
BW - Butt Weld
CS - Female SW by Male Couplet
CT - Female Thd by Male Couplet
D - Dial and Indicator
FF Flat Face Flanged
R - In-Line Repair (female NPT)
RJ - Ring Joint Flanges
S - Swing Check (female NPT)
SWS Swing Check SW
SS - Female SW by Male SW
ST - Female NPT by Male SW
SW - Socket Weld
SWB - Ball Check (SW)
SWR - In-line Repair (SW)
SWS - Swing Check (SW)
TS - Female SW by Male NPT
TSW - Female NPT by Female SW
TT - Female NPT by Male NPT
TBW - Female NPT by Butt Weld

Valve Design/Material:

This numeric character uniquely identifies the valve to its design (gate, globe, angle, check, etc.) and pressure boundary material of construction (A105, A182-F5, F11, F316, etc.).

Suffix:

This alphanumeric character ending of the Vogt valve series number is normally indicative of the valve internal trim package or service application. A valve with the traditional Vogt standard trim package and packing is not assigned a suffix number.

Suffix Description:

(Blank) – Standard Trim
B – Bellows Valve
C – Cryogenic Valve
CL – Chlorine Valve Trim – Monel/Hastelloy
ER – Emissions Reduction – Double Packed with Lantern Ring
F8M – 316 Trim
F8H – 316 Trim – Full Hard Faced
FHF – Full Hard Faced (unless standard)
FT – Full Trace (Pressure Retaining components)
HF – Hard Faced Disc (F316 Globe and Check)
HF2 – UOP Alkylation – Full Port Valve Only
HF4 – UOP Alkylation – Full Port Valve Only
HF5 – UOP Alkylation – Full Port Valve Only
HF6 – UOP Alkylation
HF7 – UOP Alkylation – Locking Device
MB6 – 13% Chrome Trim All Hard Faced – NACE*
MB8 – 316 Trim Full Hard Faced – NACE*
MBS – Monel Trim Hard Faced Wedge – NACE*
MM – Monel Trim – Grafoil Packing and Gasket
MMP – Phillips Alkylation
MMT – Monel Trim – Teflon Packing and Gasket
MT – Chlorine Valve Trim – Monel/Teflon Disc/Hastelloy
MTG – Vogt Alkylation
MTP – Phillips Alkylation – Monel/Teflon Disc
NA6 – 13% Cr Trim – NACE*
NA8 – 316 Trim – NACE*
NAS – Monel Trim – NACE*
SR – Nuclear Safety Related
T – Teflon Packing and Gasket
VP – Flow Control Trim (Globe Valve)
ZLB – Zero Leakage Check Valve – Buna N
ZLE – Zero Leakage Check Valve – Ethylene Propylene
ZLN – Zero Leakage Check Valve – Neoprene
ZLV – Zero Leakage Check Valve – Viton

EPED - Valves thus noted are constructed under the European Pressure Equipment Directive 97/23/EC - This specification applies to all pressure classes of the ASME B16.34 Vogt product (gate, globe and check valves) size 1.25" through 4" (DN 32-DN 100), pressure classes 150 through 2680 LTD. Valves size 1" and smaller are not within the scope of this specification.

Not all sizes, end connections, or trim configurations are available with all Valve Series. Please check for availability.

*NACE – Materials meet requirements of NACE MR0103 for sour service

SERIES TYPE PAGE														SERIES INDEX	
G = GATE L = GLOBE C = CHECK VALVE															
S74	C 99	S698	C 102	R2522	L 56	12141B	L 63	13710	C 84	B15761	C 90	32353	G 12	35801	G 21
351	G 12	701	C 84	2591	L 55	12141ER	L 62	B13710	C 84	S15761	C 101	32363	G 13	35821	L 50
352	G 12	A701	C 91	R2591	L 56	CT12141	L 57	13718	C 84	15780	C 90	32373	G 14	36111	G 17
353	G 12	AB701	C 91	2610	C 96	ST12141	L 57	B13718	C 84	B15780	C 90	32443	L 66	36373	L 15
358	G 12	B701	C 84	R2610	C 97	TT12141	L 57	13750	C 84	15801	G 21	32461	L 64	36483	L 71
361	G 13	S701	C 100	2611	C 96	12161	G 18	B13750	C 84	BT15801	G 24	32473	L 40	36493	L 71
362	G 13	710	C 84	R2611	C 97	12181	L 46	13751	C 84	CT15801	G 24	32483	L 41	36701	C 90
363	G 13	A710	C 91	2622	C 96	12301	48	B13751	C 84	ST15801	G 24	32493	L 42	B36701	C 90
368	G 13	AB710	C 91	R2622	C 97	12188	L 46	13780	C 84	15821	L 50	32570	C 86	36710	C 90
371	G 14	B710	C 84	2691	C 96	12321	G 10	B13780	C 84	15831	G 21	B32570	C 86	B36710	C 90
372	G 14	718	C 84	R2691	G 97	12351	L 38	13921	G 10	15841	L 50	32573	C 86	36801	G 21
373	G 14	B718	C 84	2801	G 20	12401	G 10	15111	G 17	15851	G 21	B32573	C 86	41000	G 134
378	G 14	S718	C 100	2801B	G 30	12401C	G 31	BT15111	G 24	15861	G 21	32580	C 86	42211	G 28
473	L 40	730	C 106	BT2801	G 22	12421	G 10	CT15111	G 24	BT15901	G 24	B32580	C 86	42241	L 70
473B	L 63	750	C 84	CT2801	G 22	12443	L 66	ST15111	G 24	CT15901	G 24	32583	C 86	43111	G 29
473VP	L 66	B750	C 84	ST2801	G 22	12501	L 38	15141	L 45	ST15901	G 24	B32583	C 86	43211	G 28
478	L 40	751	C 84	TT2801	G 22	12501C	L 73	15321	G 17	15921	G 17	32590	C 88	43241	L 69
478VP	L 66	B751	C 84	2811	G 19	12521	G 10	15343	L 68	16111	G 17	B32590	C 88	B43721	C 92
483	L 41	S751	C 100	2821	L 49	12543	L 66	15351	L 45	16321	G 17	32593	C 88	52461	L 65
483B	L 63	S761	C 100	2831	G 20	12551	L 38	15373	G 15	16373	G 15	B32593	C 88	54853	C 94
483VP	L 66	780	C 84	2831B	G 30	12601	G 32	15378	G 15	16378	G 15	S32673	C 102	54863	C 94
488	L 41	B780	L 84	2841	L 49	12602	G 32	15401	G 17	16401	G 17	S32683	C 102	58431	L 77
488VP	L 66	801	L 47	2851	G 20	12603	G 32	15401C	G 31	16421	G 17	S32693	C 102	59851	G 27
493	L 42	810	L 51	2861	G 20	12604	G 32	15421	G 17	16521	G 17	32701	C 84	59951	G 27
493B	L 63	811	L 51	2891	L 76	12605	G 32	15443	L 68	16701	C 90	B32701	C 84	65703	G 21
493VP	L 66	822	L 51	BT2901	G 22	12921	G 10	15493	L 43	B16701	C 90	S32701	C 100	65713	G 21
498	L 42	851	L 46	CT2901	G 22	13111	G 10	15498	L 43	16710	C 90	32710	C 84	65733	L 50
498VP	L 66	891	L 51	ST2901	G 22	13111ER	G 28	15501	L 45	B16710	C 90	B32710	C 84	65723	L 50
570	C 86	1003	L 60	TT2901	G 22	13141	L 38	15521	G 17	16718	C 90	32801	G 20	65773	G 21
B570	C 86	1023	L 60	3801	G 20	13141B	L 63	15543	L 68	B16718	C 90	32801B	G 30	66703	G 26
573	C 86	1033	G 36	3801B	G 30	13141ER	L 62	15551	L 45	16750	C 90	32821	L 50	66713	G 26
B573	C 86	1043	G 36	3831	G 20	13321	G 10	15590	C 89	B16750	C 90	33111	G 10	66723	L 54
578	C 86	1331	L 75	3831B	G 30	13351	L 38	B15590	C 89	16751	C 90	33141	L 38	66733	L 54
B578	C 86	1510	L 52	3991	L 80	13361	G 13	15593	C 89	B16751	C 90	33363	G 13	66743	G 26
579	C 86	R1510	L 53	4835	C 98	13362	G 13	B15593	C 89	16760	C 90	33373	G 14	66773	G 26
B579	C 86	1511	L 52	4881	C 105	13363	G 13	15598	C 89	B16760	C 90	33701	C 84	66783	L 54
580	C 87	R1511	L 53	9091	C 93	13368	G 13	B15598	C 89	16761	C 90	B33701	C 84	66791	G 26
B580	C 87	1522	L 52	B9091	C 93	13371	G 14	15599	C 89	B16761	C 90	33710	C 84	66793	L 54
583	C 87	R1522	L 53	9821	L 79	13372	G 14	B15599	C 89	16780	C 90	B33710	C 84	82401	G 10
B583	C 87	1551	C 104	9841	L 78	13373	G 14	S15693	C 103	B16780	C 90	33801	G 20	82501	L 38
588	C 87	B1551	C 104	9871	L 78	13378	G 14	S15698	C 103	16801	G 21	33801B	G 30	82718	C 84
B588	C 87	1591	L 52	10103	L 59	13401	G 10	15701	C 90	16831	G 21	34835	C 98	82831	G 20
589	C 87	R1591	L 53	10403	L 58	13401C	G 31	B15701	C 90	16851	G 21	35111	G 24	83401	G 10
B589	C 87	1610	C 95	10603	L 61	13421	G 10	S15701	C 101	16861	G 21	35141	L 45	83501	L 38
590	C 88	1611	C 95	10683	L 61	13474B	L 63	15710	C 90	16921	G 17	35373	G 15	85401	G 17
B590	C 88	1622	C 95	11103	G 33	13483B	L 63	B15710	C 90	21000	G 134	35443	L 68	85831	G 21
593	C 88	1691	C 95	11403	G 34	13493B	L 63	15718	C 90	22141	L 72	35493	L 43	86401	G 17
B593	C 88	1871	L 75	11603	G 35	13501	L 38	B15718	C 90	22142	L 72	35590	C 89	86831	G 21
598	C 88	1971	L 44	12041	L 48	13521	G 10	S15718	C 101	22461	L 64	B35590	C 89	88300	L 74
B598	C 88	1971VP	L 68	11683	G 35	13551	L 38	15750	C 90	22483	L 71	35593	C 89		
599	C 88	2191	C 104	12111	G 10	13601	G 32	B15750	C 90	22493	L 71	B35593	C 89		
B599	C 88	2271	106	12111ER	G 28	13602	G 32	15751	C 90	22501	L 72	S35693	C 103		
S673	C 102	2510	L 55	BT12111	G 22	13603	G 32	B15751	C 90	22561	L 64	35701	C 90		
S678	C 102	R2510	L 56	CT12111	G 22	13604	G 32	S15751	C 101	23141	L 69	B35701	C 90		
S683	C 102	2511	L 55	ST12111	G 22	13605	G 32	15760	C 90	S32074	C 99	S35701	C 101		
S688	C 102	R2511	L 56	TT12111	G 22	13701	C 84	B15760	C 90	32111	G 10	35710	C 90		
S693	C 102	2522	L 55	12141	L 38	B13701	C 84	15761	C 90	32141	L 38	B35710	C 90		

12141 Globe Valve

Class 800 Globe Valve

Conventional Port
Full Port



See page 40 - 42



The core of the pressure class 150, 300, 600, & 800 globe valve

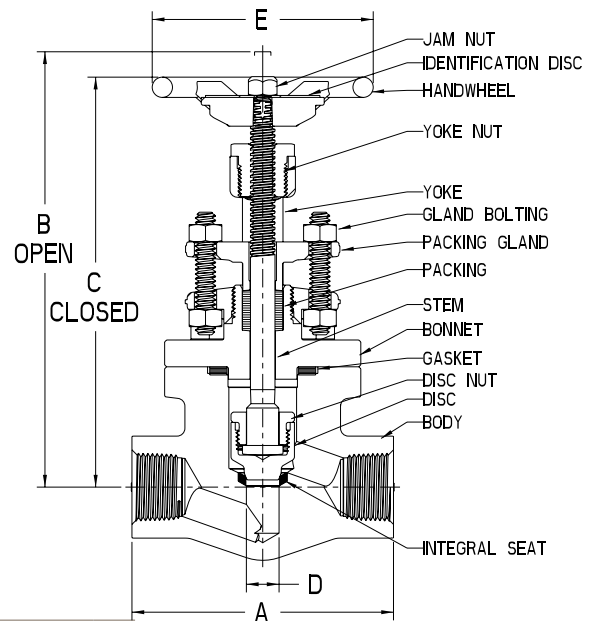
CONNECTION	CONV PORT	FULL PORT	BODY/BONNET	TRIM	SEAT	RATING	
Threaded Socket Weld Threaded/Socket Weld Butt Weld (Sch 40)**	12141	13141	A105	13% Cr	HF	1975 PSI @ 100 F	136.2 BAR @ 38 C
	32141	33141	A350 LF2	13% Cr	HF	1975 PSI @ -50 F	136.2 BAR @ -46 C
	12501	13501	F316/F316L	316		1920 PSI @ 100 F	132.4 BAR @ 38 C
	82501	83501	F316H	316H			
	12351	13351	F11,Cl.2(1-1/4 Cr.)	13% Cr	HF	2000 PSI @ 100 F	137.9 BAR @ 38 C
	12551	13551	F22,Cl.3(1-1/4 Cr.)				

**BW end-to-end is a Vogt standard and does not meet B16.10

Class 800 Globe Valve

Conventional Port
Full Port

Round Bolted Bonnet
Spiral Wound Gasket
Outside Screw & Yoke
Bolted Gland
Loose Disc
Integral Seat
ASME B16.34
API 602



Dimensions

SIZE			A	B	C	D	E	WEIGHT	Cv	T	P						
-04	NPS	½	3.75	6.63	6.24	.50	4.00	5.1	2.4	4.7	12	CONVENTIONAL PORT					
	DN	15	95	169	158	12.7	102	2.3									
-05	NPS	¾	4.00	6.66	6.24	.50	4.00	5.5	4.3	5.0	12		CONVENTIONAL PORT				
	DN	20	102	169	158	12.7	102	2.5									
-06	NPS	1	4.62	8.52	7.91	.75	4.75	9.5	7.3	6.1	10			CONVENTIONAL PORT			
	DN	25	117	216	201	19.1	121	4.3									
-07	NPS	1 ¼	6.25	10.42	9.62	1.28	5.75	21.0	14.2	8.0	10				CONVENTIONAL PORT		
	DN	32	159	265	244	32.5	146	9.5									
-08	NPS	1½	6.25	10.42	9.62	1.28	5.75	20.1	20.4	8.0	10					CONVENTIONAL PORT	
	DN	40	159	265	244	32.5	146	9.1									
-09	NPS	2	7.75	11.09	10.17	1.53	8.00	30.8	23.1	7.4	8						CONVENTIONAL PORT
	DN	50	197	282	258	38.9	203	14.0									
-10	NPS	2½	9.00	13.09	12.39	2.00	8.00	50.2	35.6	5.6	8	CONVENTIONAL PORT					
	DN	65	229	338	315	50.8	203	22.8									

-04	NPS	½	4.00	6.63	6.24	.50	4.00	5.7	3.0	4.7	12	FULL PORT					
	DN	15	102	169	158	12.7	102	2.6									
-05	NPS	¾	4.62	8.52	7.91	.75	4.75	9.8	6.8	6.1	10		FULL PORT				
	DN	20	117	216	201	19.1	121	4.4									
-06	NPS	1	6.25	10.42	9.62	1.28	5.75	21.5	14.5	8.0	10			FULL PORT			
	DN	25	159	265	244	32.5	146	9.8									
-07	NPS	1¼	6.25	10.42	9.62	1.28	5.75	20.6	17.2	8.0	10				FULL PORT		
	DN	32	159	265	244	32.5	146	9.3									
-08	NPS	1½	7.75	11.09	10.17	1.53	8.00	31.8	24.4	7.4	8					FULL PORT	
	DN	40	197	282	258	38.9	203	14.4									
-09	NPS	2	9.00	13.09	12.39	2.00	8.00	51.8	37.6	5.6	8						FULL PORT
	DN	50	229	338	315	50.8	203	23.5									

T – Approximate number of turns from open to close.
P – Pitch of stem thread.
Refer to page 4 for optional trim and service configurations.

Refer to pages 126 & 127 for full materials description.
Refer to page 111-113 for end connections.
Refer to pages 114-115 for other ratings