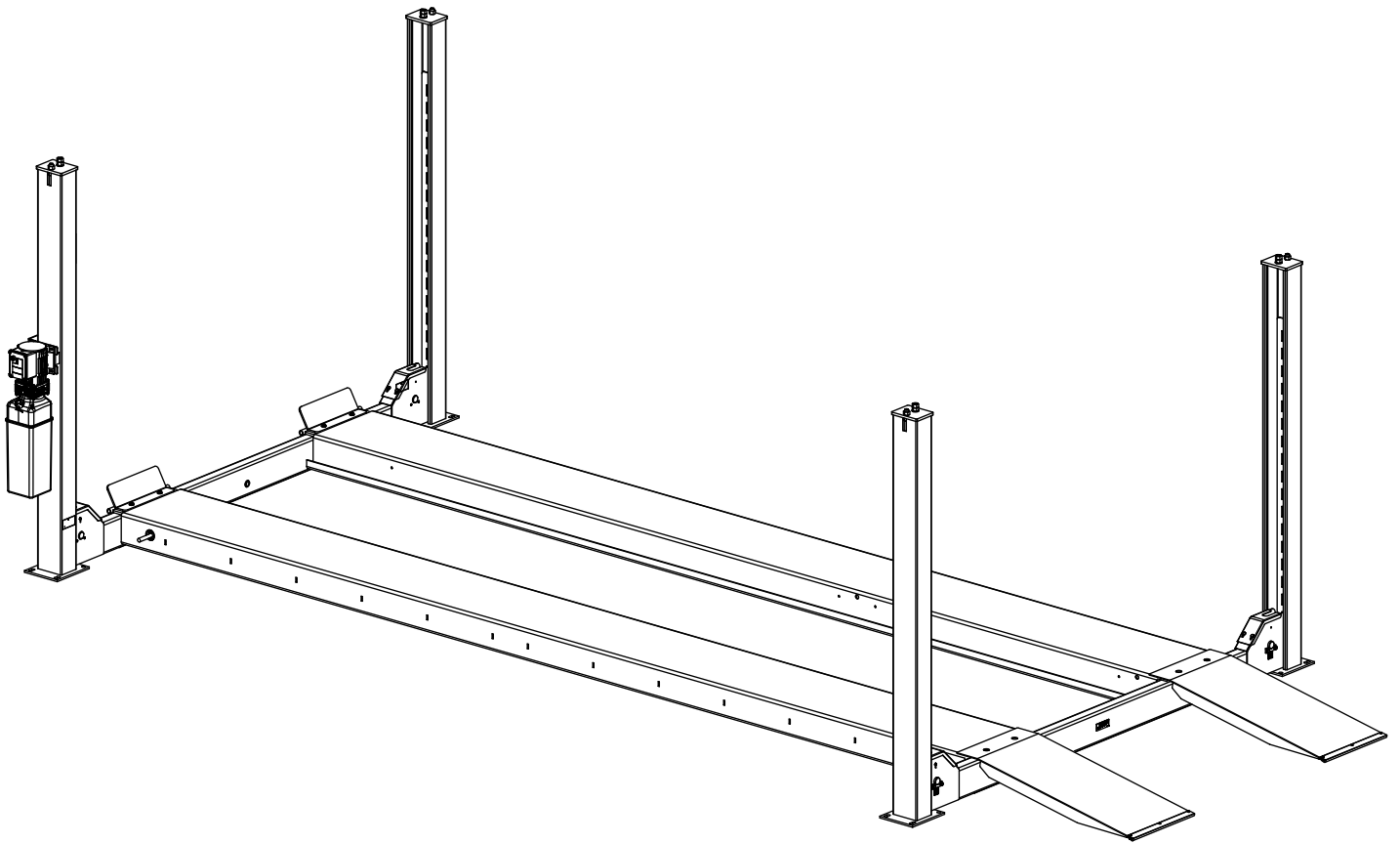
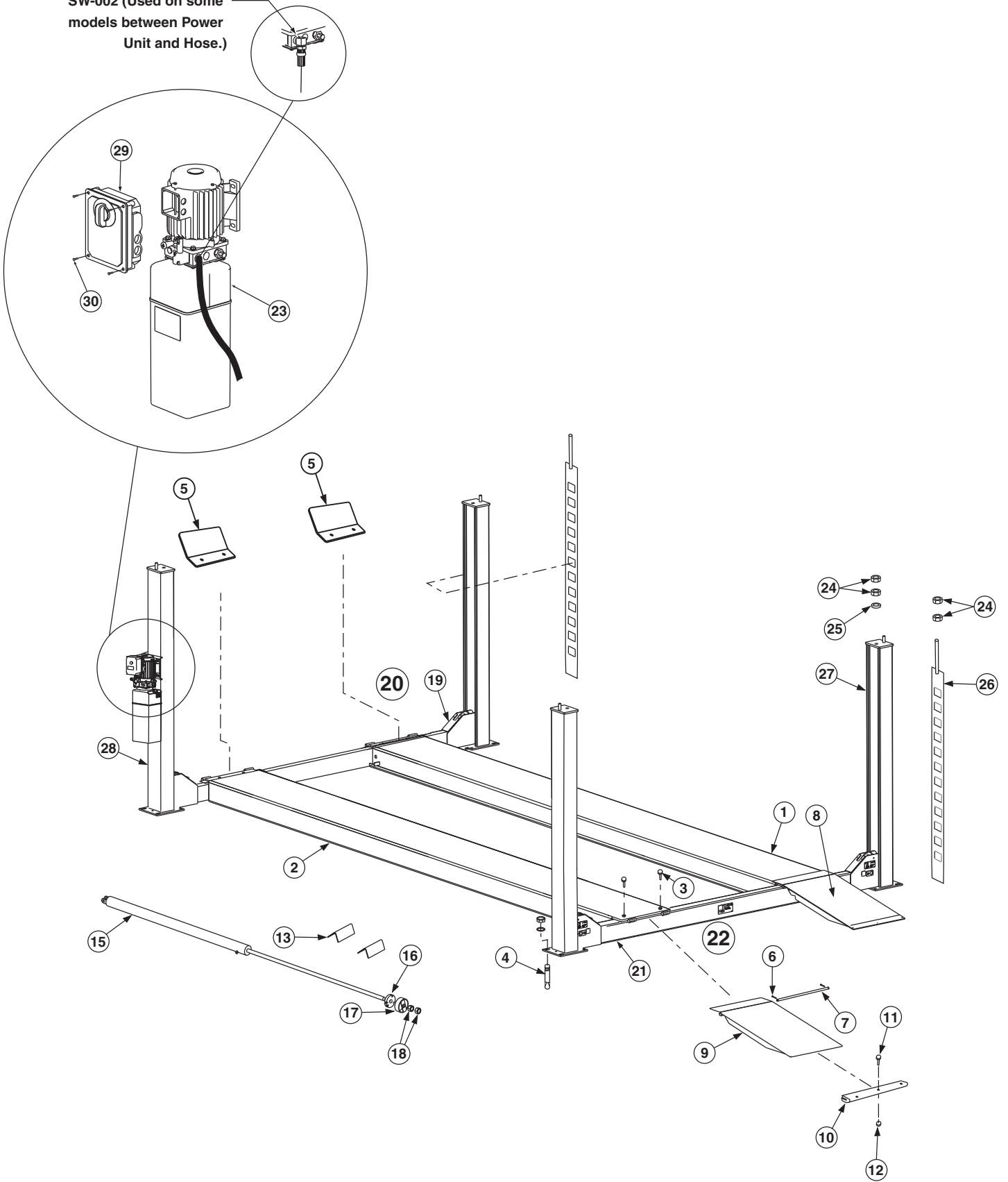


Four Post Surface Mounted Lift
Capacity 14,000 lbs. (7,000 lbs. per axle)

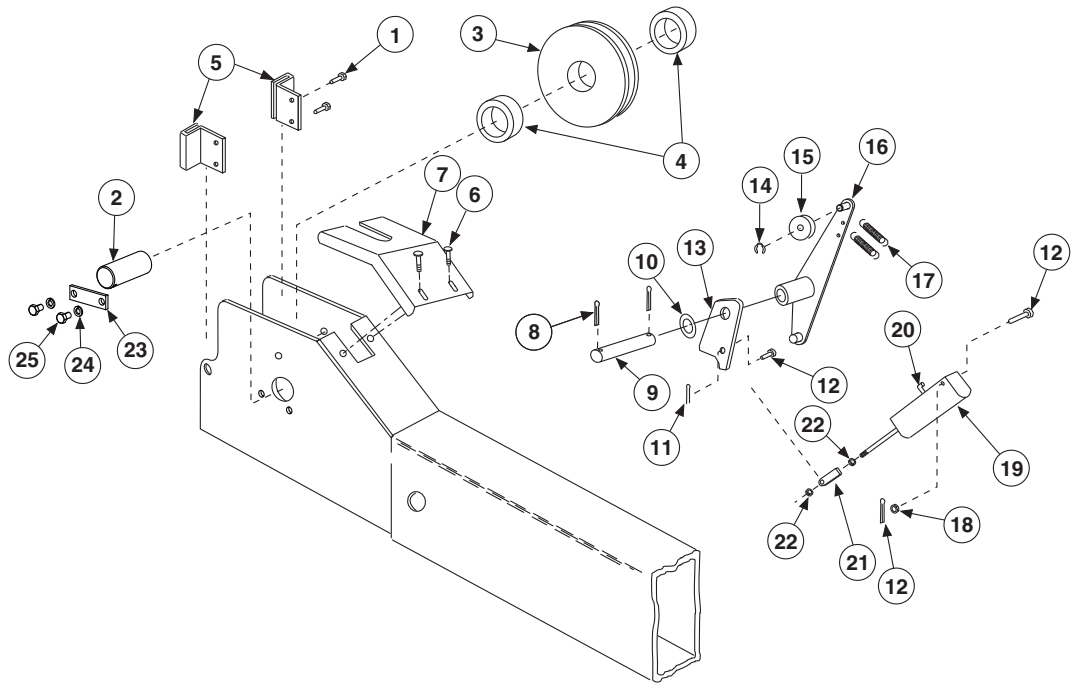


SW-002 (Used on some models between Power Unit and Hose.)

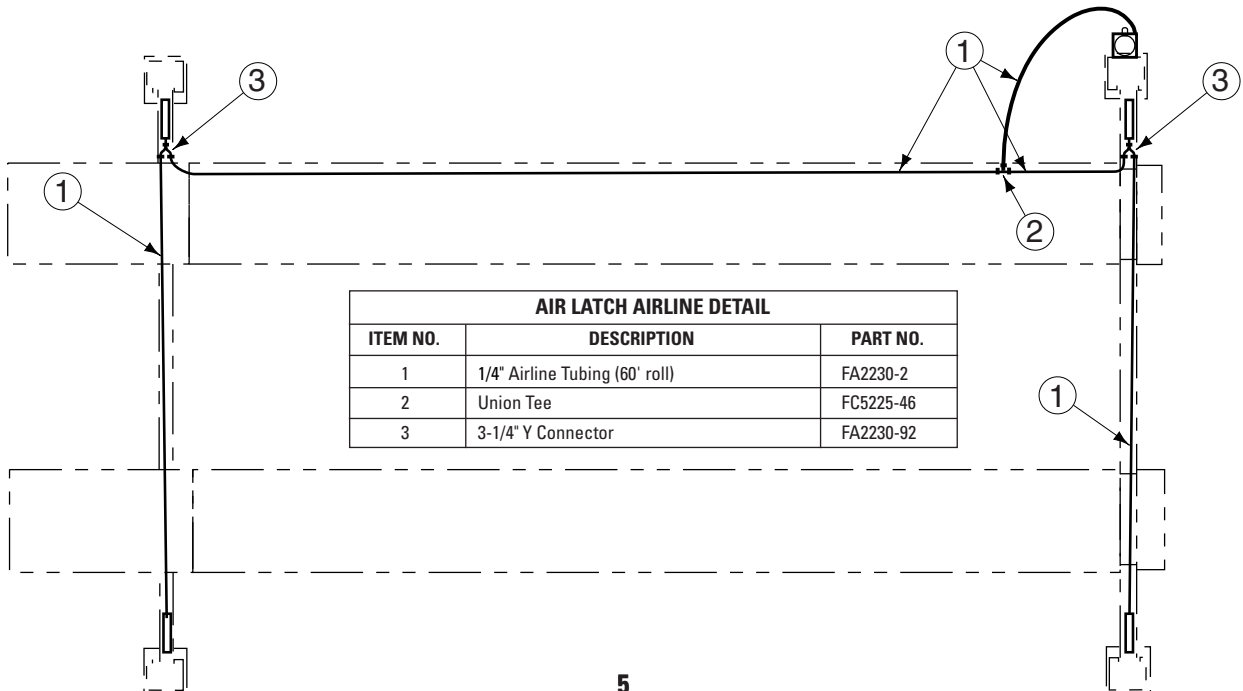


ITEM	DESCRIPTION	PART NO.
1	R.H. Runway Assembly	S121225Y
2	L.H. Runway Assembly (Includes cylinder, cables and sheaves)	S110430Y
3	M12 x 30 Fig. Whiz-Lock HHCS	B8-12 x 30
4	5/8" Anchor Bolt	FC5228
5	Wheel Stop	FC342Y
6	M5 x 40 Lg. Cotter Pin	B52-5 x 40
7	Hinge Pin	FC5989Y
8	Ramp Chock Assembly	S110441Y
9	Ramp Chock Weld	S110440Y
10	Chock Slide	FC626Y
11	M5 x 20mm Hex Bolt	B23-5 x 20
12	M5 Hex Flange Lock Nut	B391-5
13	Wheel Chock	H4P-R3100
14	Rolling Jack (Not Shown)	RRJ70G
15	Hydraulic Cylinder	YG18-9100G3
16	Cable Pull Bar	S121162Y
17	Cable Retainer	S120068Y
18	M30 x 1.5 Hex Head Nut	B30-30
19	Front Yoke Weldment	S121125Y
20	Front Yoke Ass'y (Including Latches)	S110402Y
21	Rear Yoke Weldment	S121271Y
22	Rear Yoke Ass'y (Including Latches)	S110403Y
23	1Ø Power Unit	P3641
	3Ø Power Unit	P3649
24	M20 Hex Nut	B30-20
25	M20 Flat Washer	B41-20
26	Latch Bar	S121154Y
27	Column	S121144Y
28	Power Unit Column	S110446Y

29	Control Box	FA7366
	Capacitor Box	FA7147-1
	Capacitor Box Cover Plate	FA7366-1
	Drum Switch	FA7364
	Drum Switch Lever	FA7364-1
30	M5 x 45 PHMS, Plated	41672



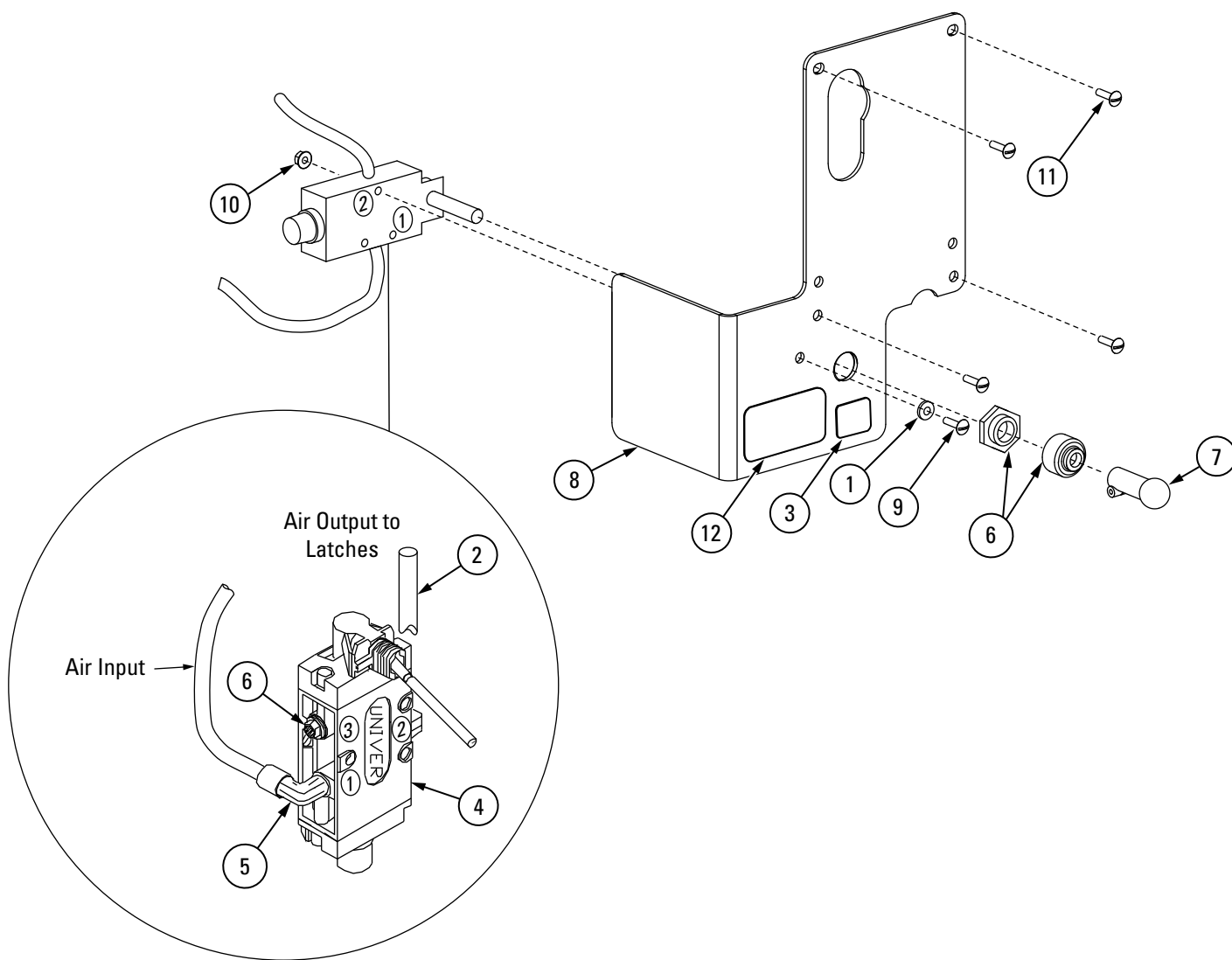
YOKE END DETAIL			YOKE END DETAIL		
ITEM	DESCRIPTION	PART NO.	ITEM	DESCRIPTION	PART NO.
1	M8 x 12 Cross Recessed Countersunk Screw	B24-8 x 12	14	M9 Snap Ring	B60-9
2	Sheave Pin	FC5981-1Y	15	Slack Cable Roller	FC553-21Y
3	Sheave	FC5977Y	16	Kicker	S121272Y
4	Yoke Sheave Spacer	S130286Y	17	Extension Spring	FC522-25Y
5	Slider	FC622Y	18	M6 Flat Washer	B41-6
6	Nylon Tree Rivet	460440	19	Air Cylinder	S130061
7	Guard	FC5985Y	20	Elbow	FC5224-39
8	Cotter Pin, 4 x 40	B52-4 x 40	21	Clevis	FC5993Y
9	Latch Shaft	FC5901-7Y	22	1/4" -28NF Hex Nut	40622
10	M20 Washer	B41-20	23	Lock Plate	H4P-3006
11	2 x 20 Hairpin Cotter Pin	B52-2 x 20	24	M10 Lock Washer	B40 x 10
12	Clevis Pin	S130287Y	25	M16 Hex Head Cap Screw	B10-10 x 16
13	Latch	FC5986Y			

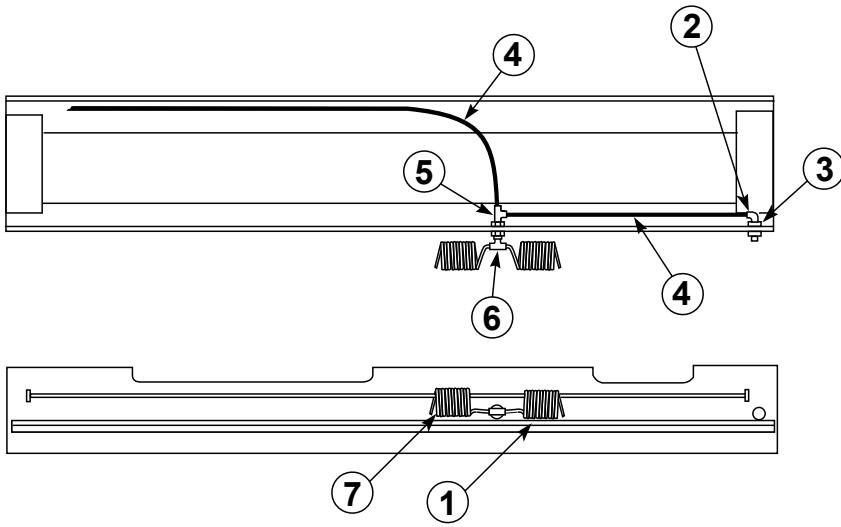


AIR LATCH AIRLINE DETAIL		
ITEM NO.	DESCRIPTION	PART NO.
1	1/4" Airline Tubing (60' roll)	FA2230-2
2	Union Tee	FC5225-46
3	3-1/4" Y Connector	FA2230-92

AIR LOCK RELEASE VALVE DETAIL

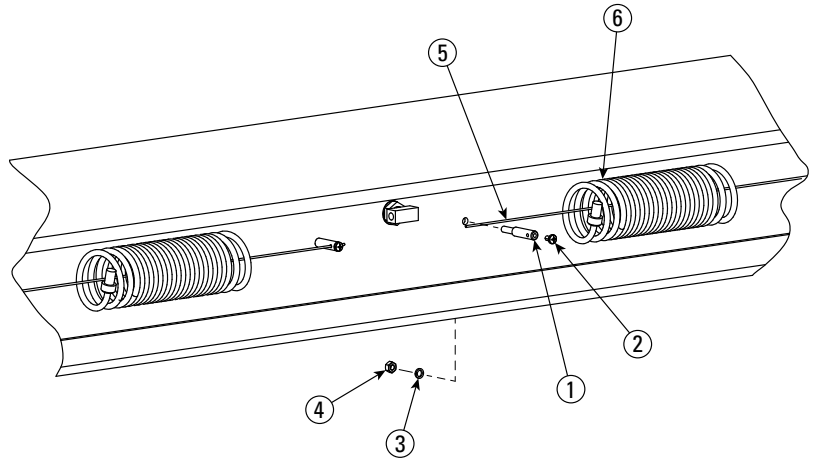
ITEM NO.	DESCRIPTION	PART NO.
1	Ø4mm Flat Washer	B41-4
2	1/4" Tubing	FC2230-2
3	Nameplate	NP280
4	Control Ass'y.	T140073
5	Swivel Elbow	T140074
6	Filter / Muffler	PSV-01
7	Air Lock Handle	T140119
8	Control Bracket 1Ø	S110274Y
	Control Bracket 3Ø	S110286Y
9	M4-30 PHMS	B23-4-30
10	M4 Nylon Locknut	B33-4
11	M5 x 15 PHMS 1Ø	40277
	M5 x 50 PHMS 3Ø	41696
12	Nameplate	NP864

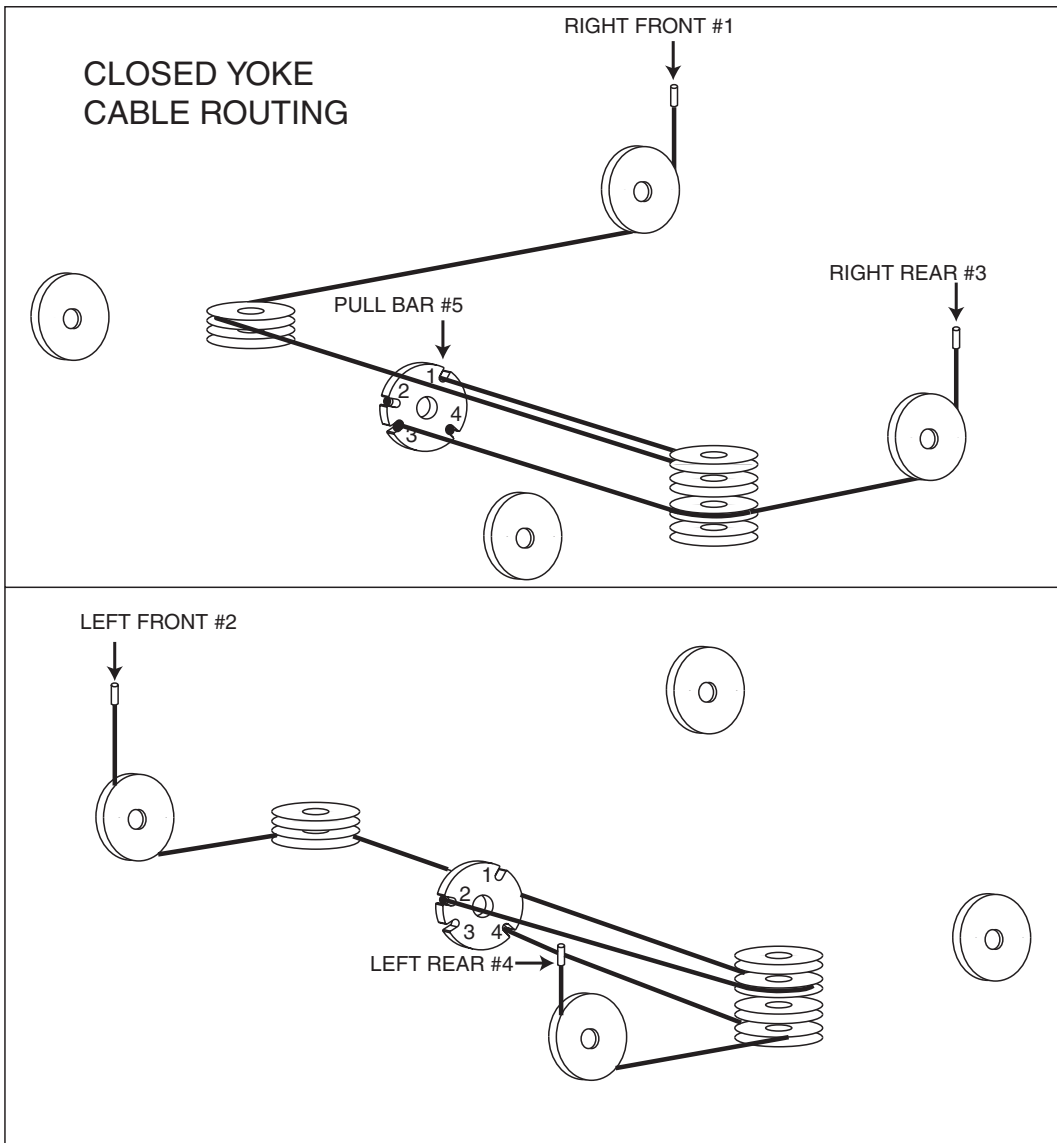




INTERNAL AIRLINE PARTS		
ITEM NO.	DESCRIPTION	PART NO.
1	Front Recoil Hose	FC147-14
2	Male Elbow	FC147-7
3	Female Bulkhead	FC147-1
4	3/8" Tubing (40ft roll)	FA2230-15
5	Male Run Tee	FC147-3
6	Male Branch Tee	FC147-5
7	Rear Recoil Hose	S130160

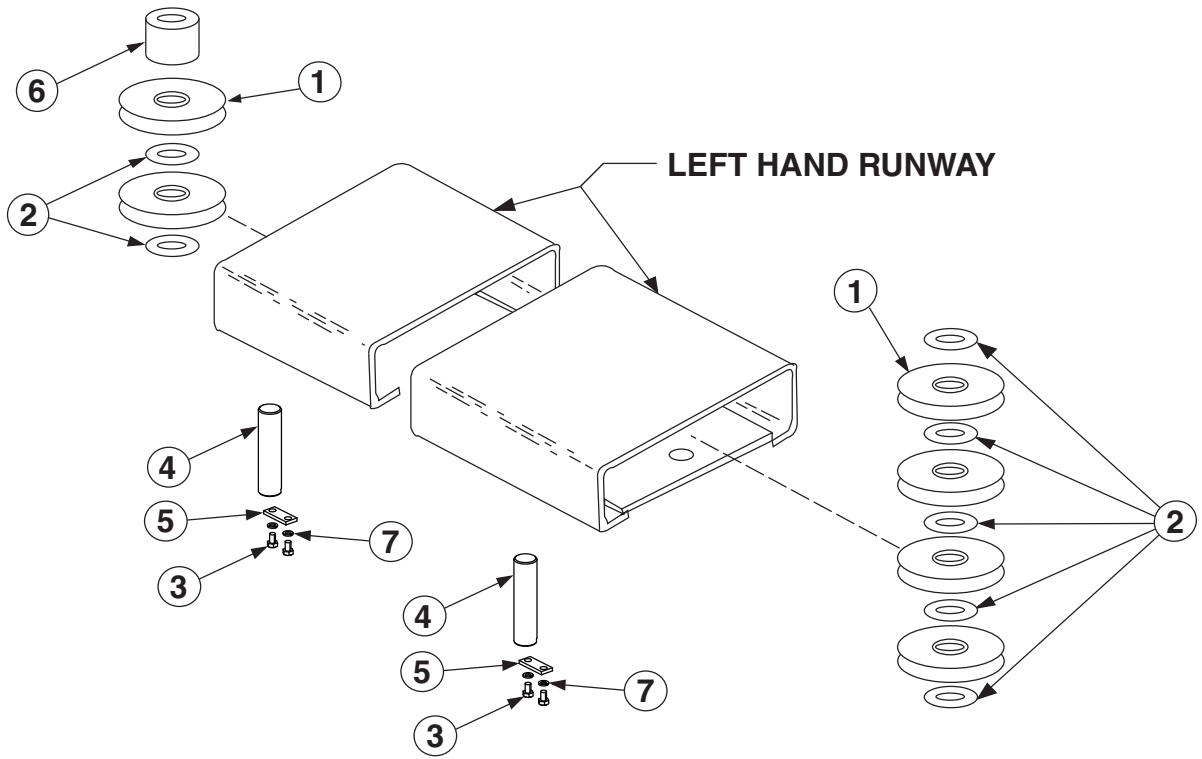
RETAINER CABLE DETAIL		
ITEM NO.	DESCRIPTION	PART NO.
		L MODEL
1	Guide Pin	H4P-3007
2	M6 X 10mm Cross Recess Pan Head Screw	B23-6-10
3	Ø8mm Star Washer	B49-8
4	M8 Hex Nut	B30-8
5	Front Airline Retainer Cable	S110464Y
	Rear Airline Retainer Cable	S110463Y
6	Recoil Hose	-





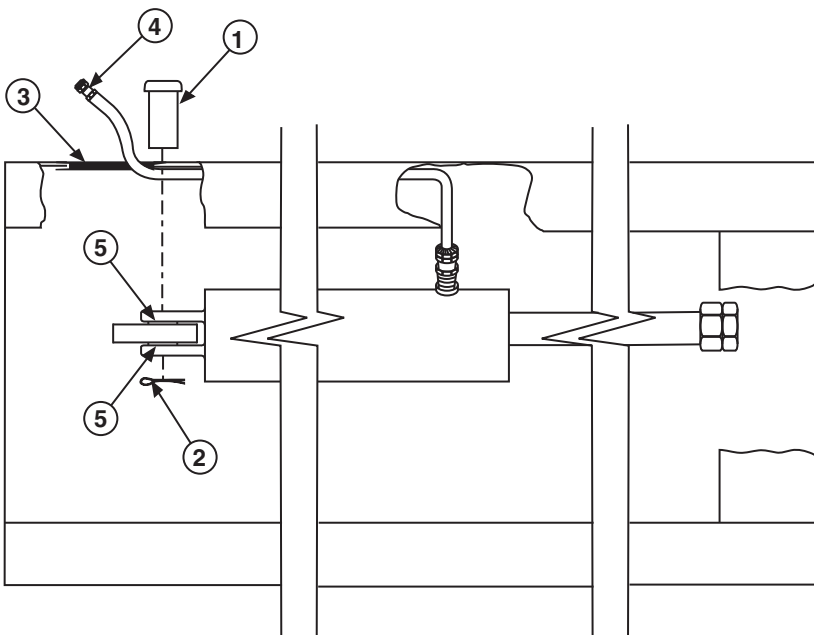
ITEM NO.	DESCRIPTION	PART NO.
1	CR14 Right Front Cable	S130304Y
2	CR14 Left Front Cable	S130303Y
3	CR14 Right Rear Cable	S130302Y
4	CR14 Left Rear Cable	S130301Y

* CABLE RETAINER NOT SHOWN TO CLAIRIFY ILLUSTRATION OF CABLE ROUTING



SHEAVE DETAIL		
ITEM NO.	DESCRIPTION	PART NO.
1	Sheave	FC5977Y
2	Plastic Bearing	S130246Y
3	M10 x 16 Hex Head Cap Screw	B10-10 x 16
4	Sheave Pin	FC5983Y
5	Lock Plate	H4P-1020
6	CF Runway Sheave Spacer	S130288Y
7	Washer	B40-10

HYDRAULIC HOSE DETAIL		
ITEM NO.	DESCRIPTION	ITEM NO.
1	Clevis Pin	S130158Y
2	M5 x 60 Cotter Pin	B52-5 x 60
3	Grommet	S130315Y
4	Hose	CR14-9801-3
5	Washer	914806



NOTES

NOTES

Vehicle Service GroupSM
2700 Lanier Drive
Madison, IN 47250, USA
1-800-640-5438
www.vsgdover.com



© **Vehicle Service GroupSM**
All Rights Reserved. Unless otherwise
indicated, **Vehicle Service GroupSM**,
and all other trademarks are property
of Dover Corporation and its affiliates.