



5100 Series

Door Closers



applications

Yale® 5100 Series Door Closers are multi-feature closers whose compact design is ideal for application on interior doors. This narrow-stile closer has distinctive lines that harmonize with most decors. It is available with a full cover to provide an installation with compatible appearance to other door closers with covers. The Yale 5100 Series Door Closer offers an economical alternative for those installations where a heavy-duty closer is not warranted.

standard features

- Tri-packed installation (regular arm, top jamb or parallel arm installation)
- Non-handed
- Aluminum alloy shell
- Rack & pinion operation
- Adjustable power
- Adjustable closing speed
- Adjustable latch speed
- Non-hold open standard. Hold open optional.

optional features

- Adjustable backcheck cushioning; independent regulating valve; order 5100BC Series.
- Full molded cover: order 5100P Series.

U.L. listing

Yale 5100 Series Door Closers with non-hold open arms are listed by Underwriters' Laboratories, Inc. for use on labeled fire doors.

ANSI/federal specs

Yale 5100 Series Door Closers are ANSI/BHMA A156.4, Grade 2 certified.



finishes

Specify BHMA Code	Old Designation	Description
600*	SRI	Special Rust Inhibitor (Prime-Beige)
689	SB	Aluminum
690	STAT	Dark Statuary Bronze
691	BL	Dull Bronze
693	315	Black
694	312	Medium Amber
696	GB	Gold

***600 is a special rust inhibiting prime coat. Closers can be ordered prime coat only (specify closer x 600). An additional charge applies if finish coat is required over prime coat (ex: 5101 x 600 x 690).**

contents

Introduction2

Features2

Finishes2

Suggested Specifications2

Accessories/Sizing Chart 3

Regular Arm Installation.....4

Top Jamb Installation5

Parallel Arm Installation.....6

How To Order7

suggested specifications

Closers for interior doors shall be full rack-and-pinion type with cast aluminum alloy shell. Closer shall be non-handed to permit installation on either hand of door. Closer to be supplied with brackets to allow regular arm, parallel arm or top jamb mounting. Closer to have non-critical valves to independently regulate sweep speed (and) latch speed (and backcheck cushioning). The forearm bracket shall permit a 15% power adjustment by rotating the forearm and bracket 180° at the door or frame. (Closer shall be enclosed in a molded full cover.) Closer to be Yale 5100/5100BC Series, 5100P/5100PBC Series.



5100 series | door closers

accessories and sizing chart

drop plates

For narrow top rails, narrow frame faces, and top jamb hold open installations. Plates vary in size when the closer is ordered with or without a full molded cover. Order drop plates from the chart. Specify finish when ordered separately.

For drop plate requirements see Dimensional Information pages 4-6.

molded full cover

Molded of high-impact U.L. Listed material for completely enclosing the closer body, mounting screws and the unused pinion shaft. This cover is non-handed. It has two notches, one for clearance of the pinion shaft. An insert is included for insertion into the unused notch. Four molded catches engage the closer body for easy yet secure installation.

Type of Installation	Part Number	
	Closer Without Cover	Closer With Cover
Regular Arm	5146	5156
Top Jamb	5146	5157
Parallel Arm	5148	5158

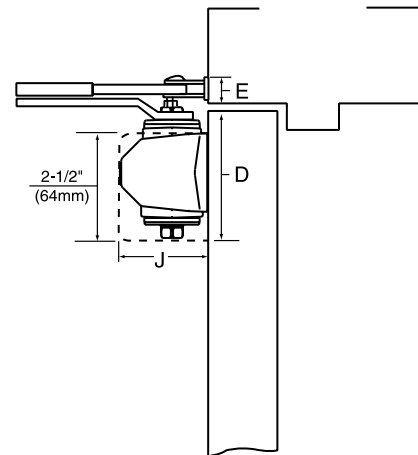
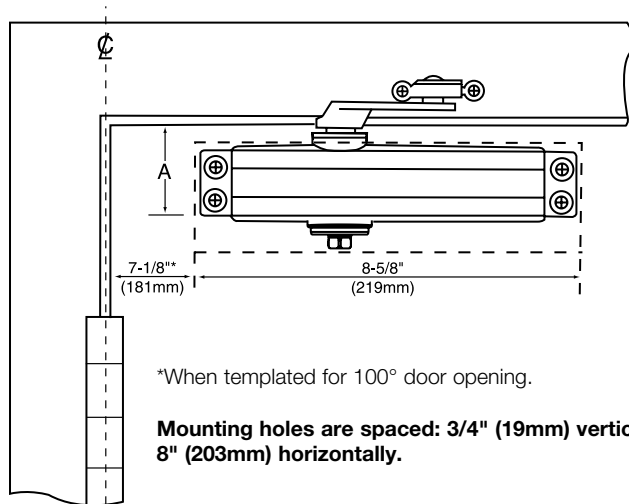
door sizing chart

Model Number		Interior Doors Maximum Size Wood or Metal		
		Type of Installation		
Non-Hold Open	Hold Open	Regular Arm	Parallel Arm	Top Jamb
5101(BC)	5111(BC)	The 5101 closer (size 1) is intended for use on doors with a maximum clear opening width of 2'8" (81cm) to provide less than 5.0 lbs. (22.2N) of door opening resistance.		
5102(BC)	5112(BC)	30" (76cm)	30" (76cm)	30" (76cm)
5103(BC)	5113(BC)	36" (91cm)	32" (81cm)	36" (91cm)
5104(BC)	5114(BC)	42" (107cm)	36" (91cm)	42" (107cm)



regular arm

Closer mounts on door;
Arm bracket on frame face.



*When templated for 100° door opening.

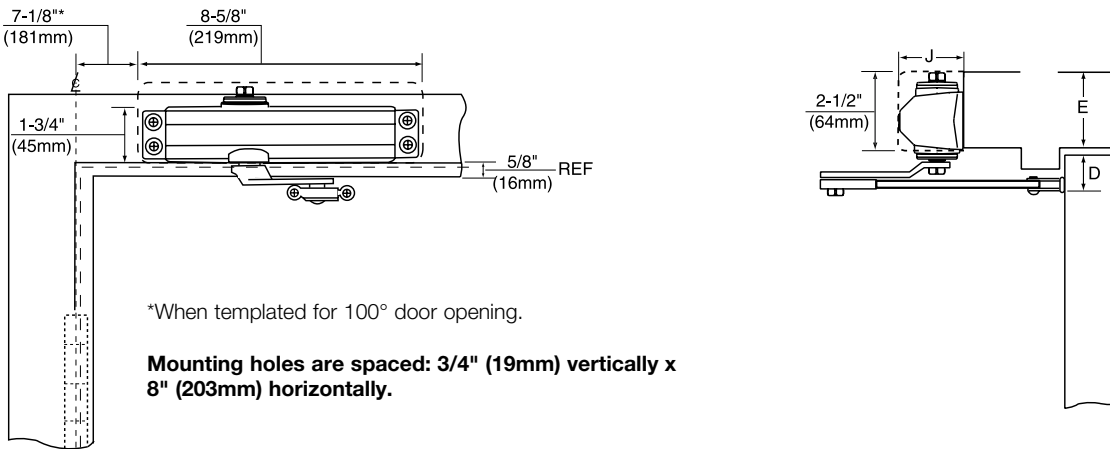
Mounting holes are spaced: 3/4" (19mm) vertically x 8" (203mm) horizontally.

dimensional information

A Minimum Top Rail				D Minimum Top Rail Clearance		E Minimum Ceiling Clearance Without Drop Plate		J Closer Projection	
Without Drop Plate		With 5146/5156 Drop Plate		Non-Hold Open	Hold Open	Non-Hold Open	Hold Open	Without Cover	With Cover
Non-Hold Open	Hold Open	Non-Hold Open	Hold Open						
2" (51mm)		1-1/4" (32mm)		3" (76mm)	2-7/8" (73mm)	1" (25mm)	1-3/8" (35mm)	1-15/16" (49mm)	2-1/16" (52mm)

top jamb

Closer mounts on frame face;
Arm bracket on door top rail.



dimensional information

D Minimum Top Rail 5/8" (16mm) Frame Stop			E Minimum Ceiling Clearance				J Closer Projection	
Without Drop Plate	With 5146/5157 Drop Plate		Without Drop Plate		With 5146/5157 Drop Plate		Without Cover	With Cover
Non-Hold Open	Non-Hold Open	Hold Open	Non-Hold Open	Hold Open	Non-Hold Open	Hold Open		
1-1/4" (32mm)	2-1/4" (57mm)	2-5/8" (67mm)	2-1/2" (64mm)	N/A**	1-3/4" (44mm)	1-15/16" (49mm)	2-1/16" (52mm)	

reveal information

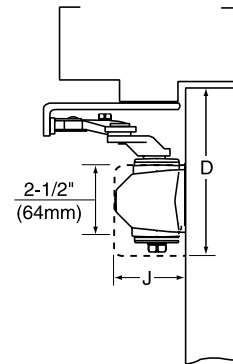
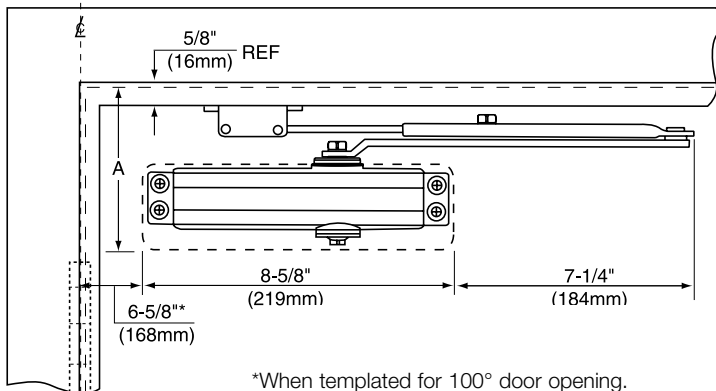
**The standard 5100 Series non-hold open closers and 5110 Series hold open closers (Top Jamb mount) accommodate frame reveals for 0" to 4-7/8" (0 to 124mm).

TJ5100 Series non-hold open closers and TJ5110 Series hold open closers accommodate frame reveals from 4-7/8" to 6-7/8" (124 to 175mm). These closers are not supplied tri-packed.



parallel arm

Closer mounts on door;
Bracket on frame soffit.



*When templated for 100° door opening.

Mounting holes are spaced: 3/4" (19mm) vertically x 8" (203mm) horizontally.

dimensional information

A Minimum Top Rail 5/8" (16mm) Frame Stop				D Minimum Top Rail Clearance		J Closer Projection	
Without Drop Plate		With 5148/5158 Drop Plate		Non-Hold Open	Hold Open	Without Cover	With Cover
Non-Hold Open	Hold Open	Non-Hold Open	Hold Open	Non-Hold Open	Hold Open	Without Cover	With Cover
4" (102mm)	4-1/4" (108mm)	2-1/4" (57mm)		4-3/4" (121mm)	5" (127mm)	1-15/16" (49mm)	2-1/16" (52mm)

how to order

ordering information

TJ	51	1	2	P	x Finish
<p>Application Prefix:</p> <p>None - Closer installs regular arm, parallel arm or top jamb 0" to 4-7/8" (0 to 124mm) reveals</p> <p>TJ - Top jamb closer 4-7/8" to 6-7/8" (124 to 175mm) reveals</p>	<p>Basic 5100 Series Closer</p>	<p>Function:</p> <p>"0" - Standard non-hold open arm</p> <p>"1" - Hold open arm</p>	<p>Size:</p> <p>This digit specifies closer size. See page 3 for sizing chart.</p>	<p>Suffixes:</p> <p>"BC" - Backcheck cushioning</p> <p>"P" - Molded full cover</p>	<p>See page 2</p>

Screw Packs

Part Number	Description
SN-134	Sex nuts only, 1-3/4" door
SNB134-38	Sex nuts and bolts, 1-3/4" door
TBGN134-38	Through-bolts and grommet nuts, 1-3/4" door

Arm Packages & Parts

Part Number	Description
5100-1	Arm assembly, non-hold open
5100-3	Arm assembly, hold open
5188	Parallel arm adaptor plate, hold open
5189	Parallel arm bracket

Closer Body Only

Part Number	Description
510XBCLAP	5100BC door closer

Cover Package

Part Number	Description
5100P	Cover

Note: Contact factory if door weight exceeds 250 lbs.

online literature and templates

For the latest information on Yale Locks & Hardware products, visit our website at: www.yalelocks.com

Click on the “Product Information” button to find:

- Catalogs
- Parts manuals
- Templates
- Specifications
- Installation instructions

Yale® customers can click on the ebusiness symbol  on the website to register for an ebusiness account to:

- Check the status of orders
- Check availability of QuickShip items
- Track your order and confirm delivery
- Receive email notification of template changes
- And More...

Or contact us at:

U.S.A.

Yale Locks & Hardware

Address: 225 Episcopal Road, Berlin, CT 06037-4004
 Tel: 1-800-438-1951 • Fax: 1-800-338-0965 • www.yalelocks.com

Canada:

ASSA ABLOY Door Security Solutions Canada

Address: 160 Four Valley Drive, Vaughan, Ontario L4K 4T9
 Tel: 1-800-461-3007 • Fax: 1-800-461-8989 • www.assaabloy.ca

International:

ASSA ABLOY Americas International

Tel: 1-905-821-7775 • Fax: 1-905-821-1429 • www.assaabloyai.com

Yale Locks & Hardware is a division of Yale Security Inc., an ASSA ABLOY Group company.

Yale® is a registered trademark of Yale Security Inc., an ASSA ABLOY Group company. Other products' brand names may be trademarks or registered trademarks of their respective owners and are mentioned for reference purposes only. These materials are protected under U.S. copyright laws. All contents current at time of publication. Yale Security Inc. reserves the right to change availability of any item in this catalog, its design, construction, and/or its materials. Copyright © 2007, 2014, Yale Security Inc., an ASSA ABLOY Group company. All rights reserved. Reproduction in whole or in part without the express written permission of the Yale Security Inc., an ASSA ABLOY Group company, is prohibited.

YALE, with its unique global reach and range of products, is the world's favorite lock.

ASSA ABLOY is the global leader in door opening solutions, dedicated to satisfying end-user needs for security, safety and convenience.

42102-4/14RE