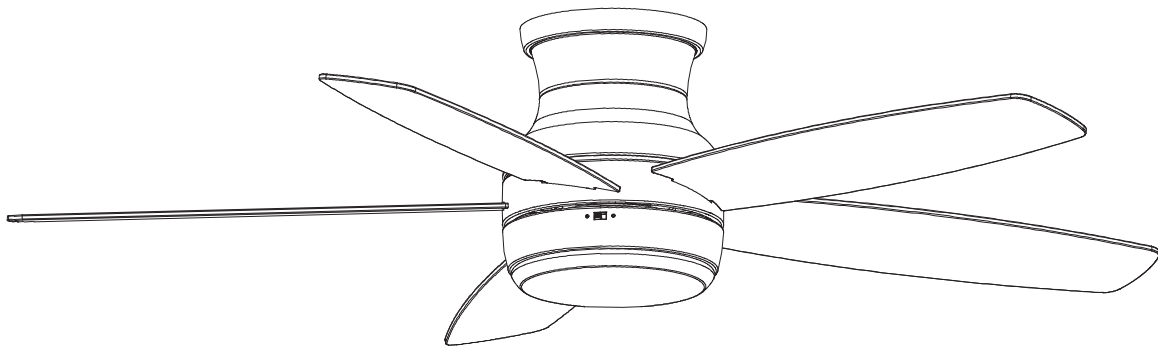


# USE AND CARE GUIDE

## ASHBY PARK 52-INCH CEILING FAN



Questions, problems, missing parts? Before returning to the store,  
call Home Decorators Collection Customer Service  
8 a.m. - 7 p.m., EST, Monday-Friday, 9 a.m. - 6 p.m., EST, Saturday.

1-800-986-3460

[HOMEDEPOT.COM/HOMEDECORATORS](http://HOMEDEPOT.COM/HOMEDECORATORS)

Before you begin >>>

3D-GUIDED INTERACTIVE ASSEMBLY  
INSTRUCTIONS CAN BE FOUND ON BILT™  
DOWNLOAD THE FREE APP



BILT™

Available on the App Store

GET IT ON Google Play

### THANK YOU

*We appreciate the trust and confidence you have placed in Home Decorators Collection through the purchase of this ceiling fan. We strive to continually create quality products designed to enhance your home. Visit us online to see our full line of products available for your home improvement needs. Thank you for choosing Home Decorators Collection!*

# Table of Contents

Table of Contents .....	2	Assembly .....	7
Safety Information .....	2	Operation .....	11
Warranty .....	3	Care and Cleaning .....	12
Pre-Installation .....	3	Troubleshooting .....	12
Installation .....	6		

## Safety Information

### READ AND SAVE THESE INSTRUCTIONS.

1. To reduce the risk of electric shock, ensure the electricity has been turned off at the circuit breaker or fuse box before you begin.
2. All wiring must be in accordance with the National Electrical Code ANSI/NFPA 70-1999 and local electrical codes. Electrical installation should be performed by a qualified licensed electrician.
3. The outlet box and support structure must be securely mounted and capable of reliably supporting 35 lbs. (15.9 kg). Use only UL Listed outlet boxes marked "Acceptable for Fan Support of 35 lbs. (15.9 kg) or less."
4. The fan must be mounted with a minimum of 7 ft (2.1 m) clearance from the trailing edge of the blades to the floor.
5. Do not operate the reversing switch while the fan blades are in motion. You must turn the fan off and stop the blades before you reverse the blade direction.
6. Do not place objects in the path of the blades.
7. To avoid personal injury or damage to the fan and other items, use caution when working around or cleaning the fan.
8. Electrical diagrams are for reference only. Light kits that are not packed with the fan must be UL listed and marked suitable for use with the model fan you are installing. Switches must be UL General Use Switches. Refer to the instructions packaged with the light kits and switches for proper assembly.
9. After making electrical connections, spliced conductors should be turned upward and pushed carefully up into the outlet box. The wires should be spread apart with the grounded conductor and the equipment-grounding conductor on one side of the outlet box.
10. All setscrews must be checked and retightened where necessary before installation.



**WARNING:** To reduce the risk of personal injury, do not bend the blade brackets (also referred to as flanges) during assembly or after installation. Do not insert objects in the path of the blades.



**WARNING:** To reduce the risk of fire, electric shock or personal injury, mount to outlet box marked "Acceptable for fan support of 35 lbs. (15.9 kg) or less", and use screws provided with the outlet box.



**WARNING:** To avoid possible electrical shock, turn the electricity off at the main fuse box before wiring. If you feel you do not have enough electrical wiring knowledge or experience, contact a licensed electrician.



**WARNING:** Electrical diagrams are for reference only. Optional use of any light kit shall be UL-listed and marked suitable for use with this fan.



**WARNING:** To reduce the risk of fire or electric shock, this fan should only be used with fan speed control part no. AP-8RDL, manufactured by Dawnsun Electronic Co., LTD.



**CAUTION:** To reduce the risk of personal injury, use only the screws provided with the outlet box.



**CAUTION:** To avoid personal injury or damage to the fan and other items, use caution when working around or cleaning the fan.

# Warranty

The supplier warrants the fan motor to be free from defects in workmanship and material present at time of shipment from the factory for a lifetime after the date of purchase by the original purchaser. The supplier also warrants that all other fan parts, excluding any glass or acrylic blades, to be free from defects in workmanship and material at the time of shipment from the factory for a period of two years after the date of purchase by the original purchaser. We agree to correct such defects without charge or at our option replace with a comparable or superior model if the product is returned. To obtain warranty service, you must present a copy of the receipt as proof of purchase. All costs of removing and reinstalling the product are your responsibility. Damage to any part, such as by accident, misuse, improper installation, or by affixing any accessories, is not covered by this warranty. Because of varying climatic conditions this warranty does not cover any changes in brass finish, including rusting, pitting, corroding, tarnishing, or peeling. Brass finishes of this type give their longest useful life when protected from varying weather conditions. A certain amount of "wobble" is normal and should not be considered a defect. Servicing performed by unauthorized persons shall render the warranty invalid. There is no other express warranty. Home Decorators Collection hereby disclaims any and all warranties, including but not limited to those of merchantability and fitness for a particular purpose to the extent permitted by law. The duration of any implied warranty, which cannot be disclaimed, is limited to the time period as specified in the express warranty. Some states do not allow a limitation on how long an implied warranty lasts, so the above limitation may not apply to you. The retailer shall not be liable for incidental, consequential, or special damages arising out of or in connection with product use or performance except as may otherwise be accorded by law. Some states do not allow the exclusion of incidental or consequential damages, so the above exclusion or limitation may not apply to you. This warranty gives specific legal rights, and you may also have other rights that vary from state to state. This warranty supersedes all prior warranties. Shipping costs for any return of product as part of a claim on the warranty must be paid by the customer.

Contact the Customer Service Team at 1-800-986-3460 or visit [www.HomeDepot.com/homedecorators](http://www.HomeDepot.com/homedecorators).

# Pre-Installation

## SPECIFICATIONS

Size	Speed	Volts	Amps	Watts	RPM	CFM	Net Weight	Gross Weight	Cu. Ft.
52 in.	Low	120	0.26	15	85	2185	19.40 lbs (8.8 kg)	22.05 lbs (10 kg)	2.134 cu.ft.
	Medium		0.38	31	130	3324			
	High		0.53	63	185	4881			



**NOTE:** These are approximate measures. They do not include the amps and wattage used by the light kit.



## TOOLS REQUIRED



Phillips  
screwdriver



Flat blade  
screwdriver



Adjustable  
wrench



Electrical  
tape



Wire  
cutter



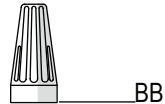
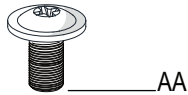
Step ladder

# Pre-Installation (continued)

## HARDWARE INCLUDED



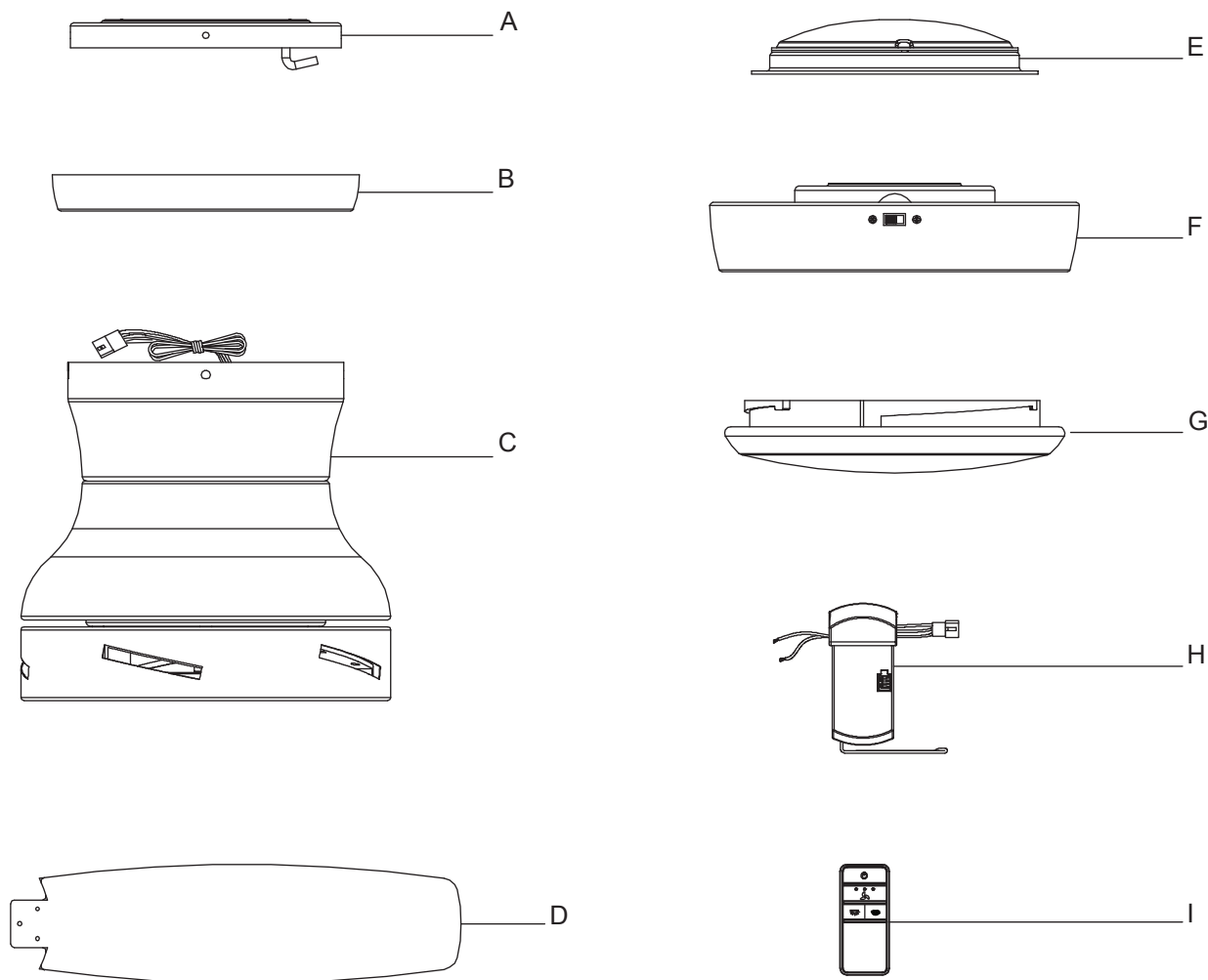
NOTE: Hardware not shown to actual size.



Part	Description	Quantity
AA	Blade attachment screws	16
BB	Plastic wire connector	3

# Pre-Installation (continued)

## PACKAGE CONTENTS



Part	Description	Quantity
A	Mounting plate	1
B	Trim ring	1
C	Fan-motor assembly	1
D	Blade	5

Part	Description	Quantity
E	Light kit fitter assembly	1
F	Light kit pan	1
G	Glass bowl	1
H	Receiver	1
I	Remote control (battery included)	1



**IMPORTANT:** This product and/or components are governed by one or more of the following U.S. Patents: 5,947,436; 5,988,580; 6,010,110; 6,046,416; 6,210,117 and other patents pending.

# Installation

## MOUNTING OPTIONS

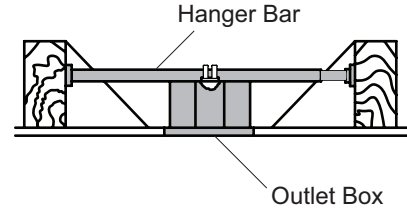
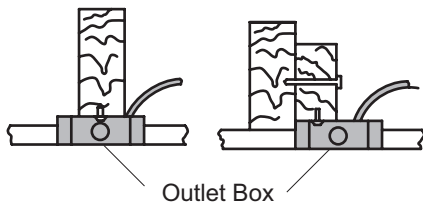
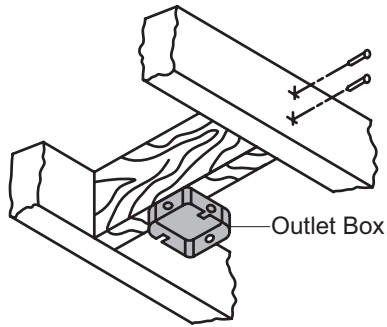


**WARNING:** To reduce the risk of fire, electric shock or personal injury, mount to outlet box marked "Acceptable for fan support of 35 lbs. (15.9 kg) or less", and use screws provided with the outlet box. An outlet box commonly used for the support of lighting fixtures may not be acceptable for fan support and may need to be replaced. If in doubt, consult a qualified electrician.

If your ceiling fan does not have an existing UL-listed mounting box, then install one using the following instructions:

- Disconnect the power by removing the fuses or turning off the circuit breakers.
- Secure the outlet box directly to the building structure. Use the appropriate fasteners and materials. The outlet box and support structure must be securely mounted and capable of reliably supporting 35 lbs. (15.9 kg). Use only UL Listed outlet boxes marked "Acceptable for Fan Support of 35 lbs. (15.9 kg) or less." Do not use a plastic outlet box.

The illustrations below show two different ways to mount the outlet box.



To hang your fan where there is an existing fixture but no ceiling joist, you may need an installation hanger bar as shown above (available at any Home Depot store).

# Assembly - Hanging the Fan

## 1 Attaching the fan to the electrical box

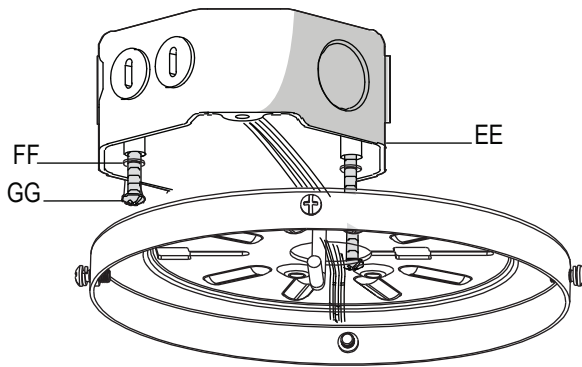


**WARNING:** To avoid possible electrical shock, turn the electricity off at the main fuse box before wiring. If you feel you do not have enough electrical wiring knowledge or experience, contact a licensed electrician.



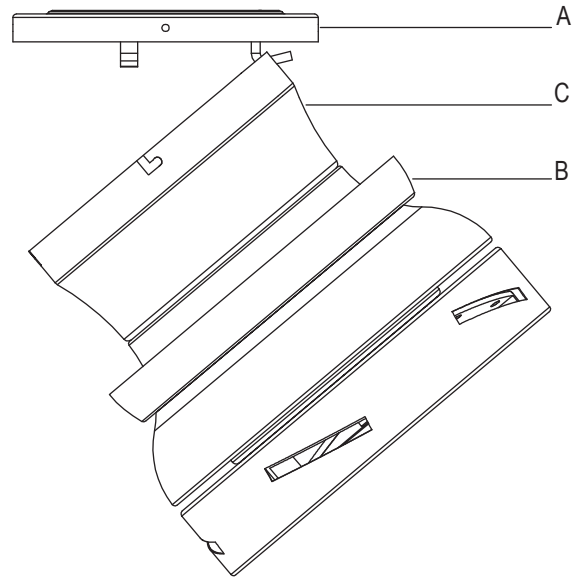
**NOTE:** For better fan performance, make sure the mounting plate is level. Additional washers (FF) (not included) may be needed to insert between the outlet box and mounting plate.

- Turn the power off.
- Loosen the two mounting screws (GG) supplied with the outlet box, but do not remove the screws.
- Securely attach the mounting plate (A) to the outlet box by sliding the mounting plate (A) over the two mounting screws (GG) supplied with the outlet box. Pull the 120-volt supply wires (the black, white and ground wires) out of the outlet box (EE) and through the hole in the mounting plate (A) and lay them to the side.



## 2 Hanging the fan-motor assembly

- Attach the trim ring (B) to the fan motor assembly (C) from the opening of the motor housing. Make sure the slots of trim ring (B) are on top.
- Carefully lift the fan-motor assembly (C) and hang the fan motor assembly (C) on the hook of the mounting plate (A) by utilizing one of the holes at the outer rim of the motor housing so that it is securely suspended. Then connect the wiring to your fan according to step 4 "Making the Electrical Connections".



# Assembly - Hanging the Fan (continued)

## 3 Setting the code on the remote control and receiver

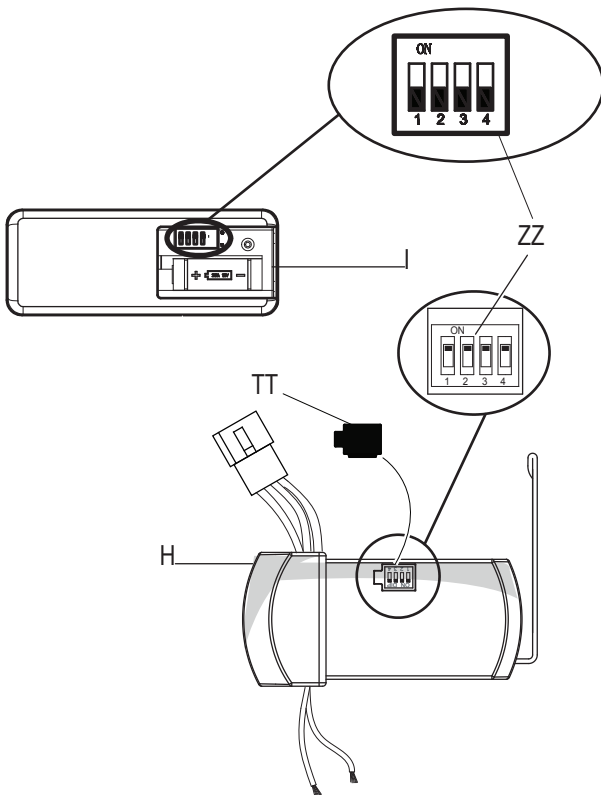


**NOTE:** The frequencies on your receiver and hand unit have been preset at the factory. Before installing the receiver, make sure the dip switches on the receiver and hand unit are set to the same frequency. The dip switches on the hand unit are located inside the battery compartment.



**NOTE:** The battery will weaken with age and should be replaced before leaking takes place as this will damage the hand unit. Dispose of used battery properly and keep the battery out of the reach of children.

- Remove the remote control (I) battery cover by pressing firmly on the arrow and sliding the cover off.
- Slide the dip switches (ZZ) to your choice of either up or down. The factory setting is up.
- Slide the dip switches (ZZ) on the receiver (H) to the same position as set on the remote control (I).
- Install the 23A 12V battery (included).
- Replace the battery cover on the remote control (I).
- Insert the silicone rubber stopper (TT) into the hole on the receiver (H) to cover the dip switches.



## 4 Making the electrical connection

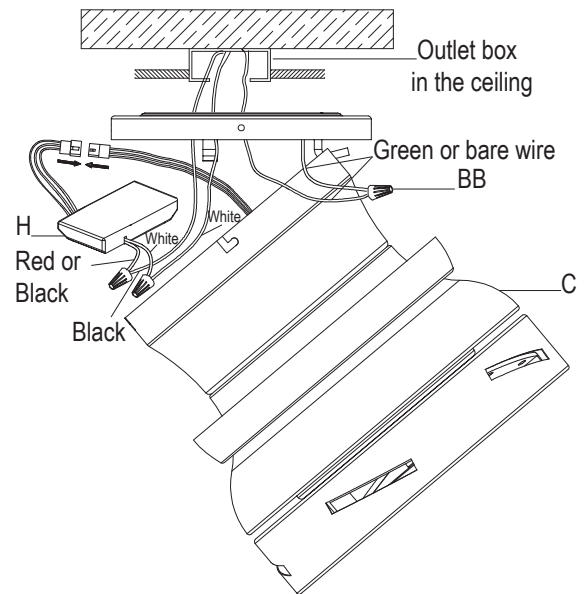


**WARNING:** Each wire nut supplied with this fan is designed to accept up to one 12-gauge house wire and two wires from the fan. If you have larger than 12-gauge house wiring or more than one house wire to connect to the fan wiring, consult an electrician for the proper size wire nuts to use.



**IMPORTANT:** Use the plastic wire connectors (BB) supplied with your fan. Secure the connectors with electrical tape and ensure there are no loose strands or connections.

- Spread the wires apart so that the green and whites are one side of the outlet box and the black wire is on the other side.
- Connect the green fan wires to the household ground wire (this may be a green or bare wire) using a wire connecting nut (BB).
- Connect the receiver (H) red or black wire to the household black (hot) wire using a wire connecting nut (BB).
- Connect the receiver (H) white wire to the household white (neutral) wire using a wire connecting nut (BB).
- Secure each wire connecting nut using electrical tape.
- Wire the receiver (H) to the fan wires by connecting the molded adaptor plug from receiver (H) with molded adaptor of the fan motor assembly (C) together.



## Assembly - Hanging the Fan (continued)

### 5 Installing the receiver



**WARNING:** To reduce the risk of fire or electrical shock, remember to disconnect power. The electrical wiring must meet all local and national electrical code requirements. The electrical source and fan must be 110/120 volt, 60HZ. Do not use this product in conjunction with any variable wall control. Incorrect wire connection can damage this receiver.

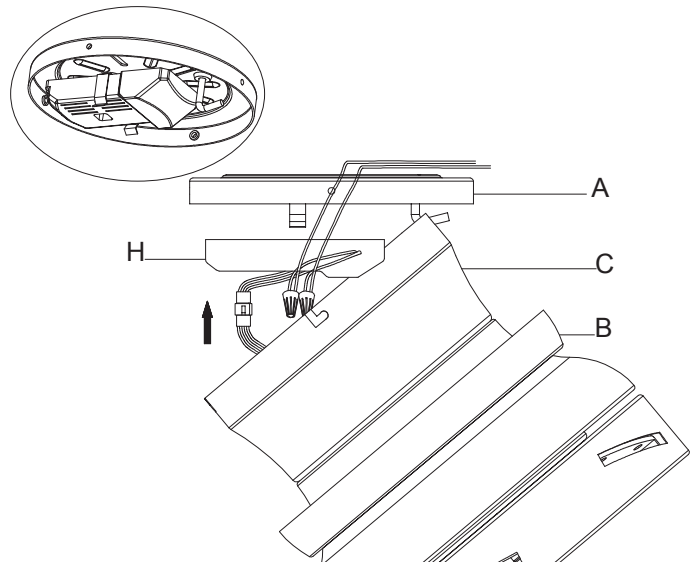


**CAUTION:** If other fan wires are different color, have this unit installed by a licensed electrician.



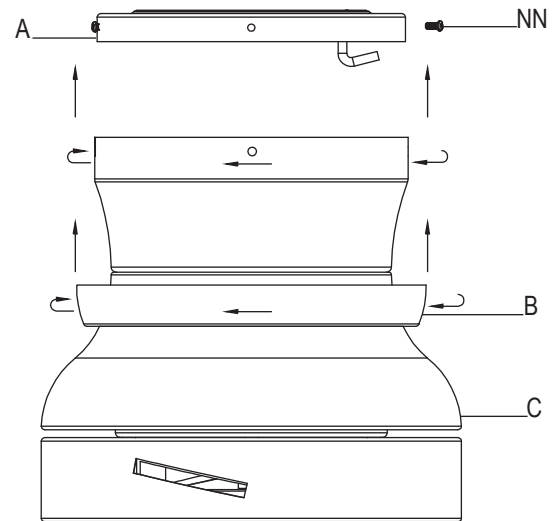
**CAUTION:** Do not install the receiver (H) in a damp location or immerse in water (For indoor use only). Do not pull on or cut the receiver leads shorter. Do not drop or bump the unit.

- Push the receiver (H) into the bracket on the mounting plate (A) (as shown, flat side towards the ceiling).



### 6 Installing the motor assembly

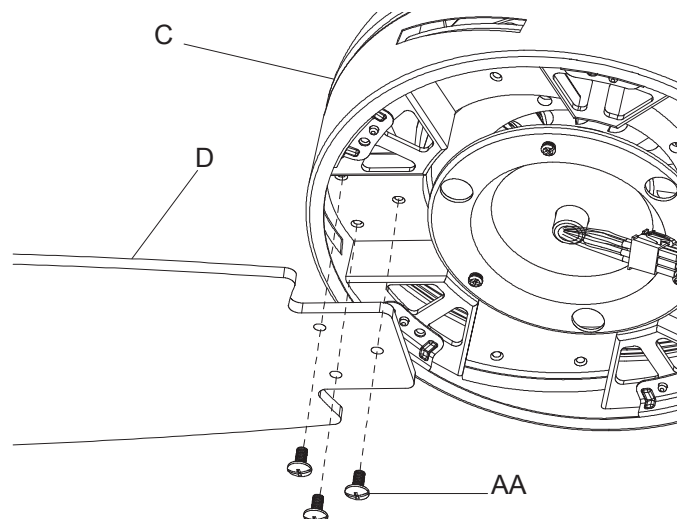
- Remove two of the four screws (located diagonally from each other) (NN) from the top of the mounting plate (A) and loosen the other two screws (NN).
- Align the two key slots in the top of the fan motor assembly (C) with the two loosened screws (NN) on the mounting plate (A). Push the fan motor assembly (C) up and turn it clockwise to lock in the mounting plate (A). Tighten the two screws.
- Install the two screws that were removed at the beginning of this step into the remaining two holes and tighten the four screws firmly.
- Install the trim ring (B) by aligning the ring's slots with the screws on the mounting plate (A). Rotate the ring clockwise to lock in place.



## Assembly - Attaching the Blades

### 7 Attaching the blades

- Attach a blade (D) to the fan motor assembly (C) by inserting the blade (D) into slots in the side of the fan motor assembly (C) and aligning the three screws holes in the blade with the holes in the center flywheel and secure with screws (AA).
- Make sure all the screws are firmly tightened.
- Repeat these steps for the remaining blades.



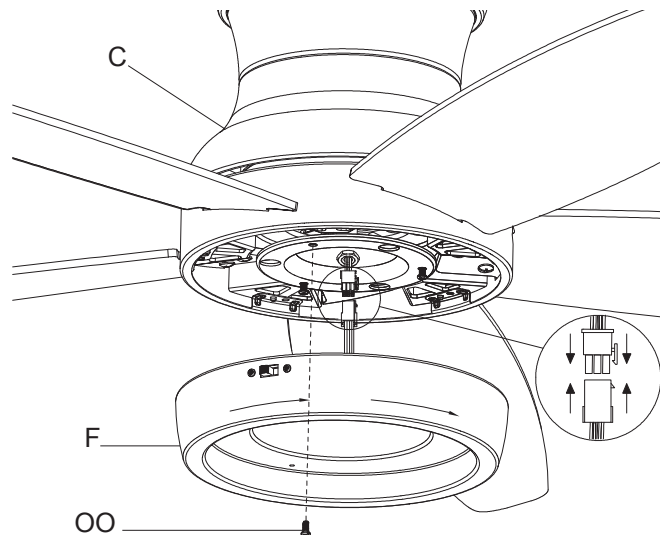
# Assembly - Attaching the Light Kit

## 8 Installing the light kit pan



**IMPORTANT:** It is critical to attach the light kit pan using quick connector. The fan will not operate unless the light kit pan is connected to the fan.

- Remove one screw (OO) from the black bracket below the fan motor assembly (C), and loosen but do not remove the other two screws.
- Connect the 9-pin plug exiting the bottom of the fan motor assembly (C) to the 9-pin plug from the light kit pan (F). Be sure the plug connections snap together completely.
- Push the light kit pan (F) up to the fan motor assembly (C) so that the two loosened screw heads fit into the keyhole slots. Turn the light kit pan (F) clockwise.
- Re-install the screw (OO) that was removed in step 1.
- Make sure all the screws are firmly tightened.

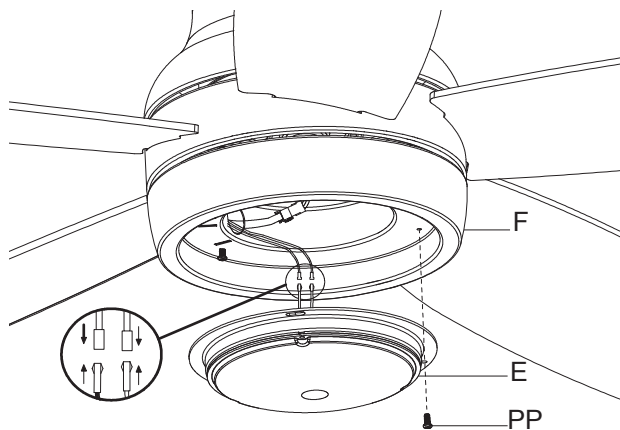


## 9 Attaching the light kit fitter assembly



**CAUTION:** To reduce the risk of electric shock, disconnect the electrical supply circuit to the fan before installing the light kit.

- Remove one screw (PP) from the light kit pan (F) and loosen but do not remove the other two screws.
- Connect the wires from the light kit fitter assembly (E) to the wires from the light kit pan (F) by connecting the molded adaptor plugs together. Carefully tuck all wires and splices into the switch cup.
- Push the light kit fitter assembly (E) up to the light kit pan (F) so that the two loosened screw heads fit into the keyhole slots. Turn the light kit fitter assembly (E) clockwise.
- Re-install the screw (PP) that was removed in step 1.
- Make sure all the screws are firmly tightened.



## 10 Installing the glass bowl

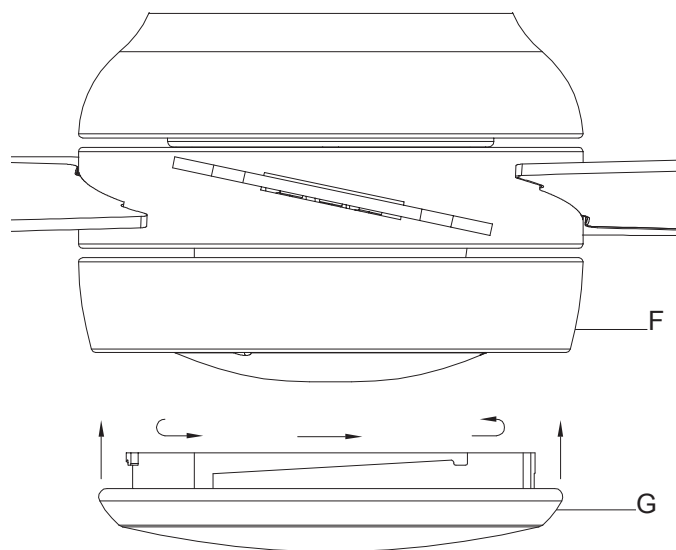


**WARNING:** Allow the glass bowl to cool completely before removing.



**CAUTION:** Make sure the power is off before attaching or removing the glass bowl.

- Place the glass bowl (G) into the light kit pan (F), aligning the three flat areas on the top flange of the glass bowl (G) with the raised dimples in the light kit pan.
- Turn the glass bowl (G) clockwise until it stops.



# Operation



**NOTE:** Wait for the fan to stop before reversing the direction of the blade rotation.

## Remote control

Your fan is equipped with a remote control to operate the speed and lights for your new ceiling fan.

Speed setting for warm or cool weather depends on factors such as the room size, ceiling height, number of fans and so on.

The fan is shipped from the factory with the reversing switch (YY) positioned to circulate air downward. If airflow is desired in the opposite direction, turn your fan off and wait for the blades to stop turning, then slide the reversing switch (located on the light kit pan) to the opposite position, and turn the fan on again. The fan blades will turn in the opposite direction and reverse airflow.

**Warm weather - (Forward)** A downward airflow creates a cooling effect. This allows you to set your air conditioner on a warmer setting without affecting your comfort.

**Cool weather - (Reverse)** An upward airflow moves warm air off of the ceiling. This allows you to set your heating unit on a cooler setting without affecting your comfort.

## Operating your fan and remote control



**Power ON/OFF:** Press and release the power button to turn the fan and light on or off.



**Fan speed:** LEDs on the fan speed button will illuminate to the corresponding speed.

Press and release 1 time: turns the fan on high speed.

Press and release 2 times: turns the fan on medium speed.

Press and release 3 times: turns the fan on low speed.

Press and release 4 times: turns the fan off.



## Light ON/OFF

Press and release the button to turn the light on or off.

Press and hold the button to activate the dimmer function.



## Correlated Color Temperature (CCT) changing



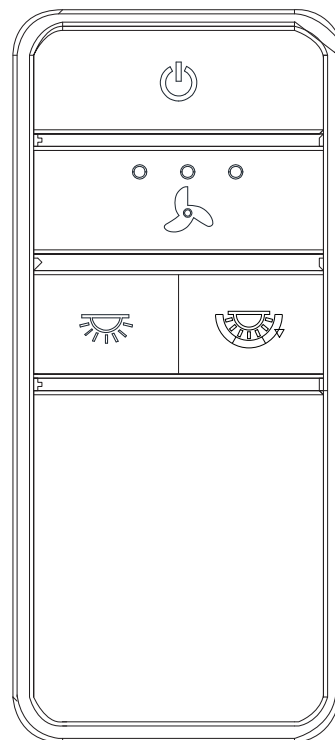
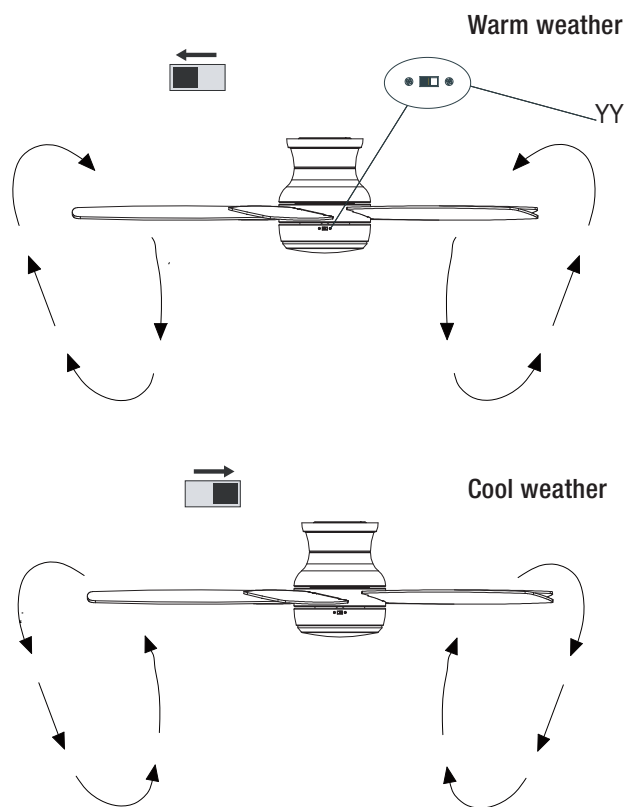
**NOTE:** The default temperature of the ceiling fan light is 3000k (Soft White).

Push and release the button to cycle through the three color temperature options.

Option 1: 2700K (Warm White).

Option 2: 3000K (Soft White).

Option 3: 5000K (Daylight).



# Care and Cleaning



**WARNING:** Make sure the power is off before cleaning your fan.

- Because of the fan's natural movement, some connections may become loose. Check the support connections, brackets, and blade attachments twice a year. Make sure they are secure. It is not necessary to remove the fan from the ceiling.
- Clean your fan periodically to help maintain its new appearance over the years. Do not use water when cleaning, as this could damage the motor, or the wood, or possibly cause an electrical shock. Use only a soft brush or lint-free cloth to avoid scratching the finish. The plating is sealed with a lacquer to minimize discoloration or tarnishing.
- You can apply a light coat of furniture polish to the wood for additional protection and enhanced beauty. Cover small scratches with a light application of shoe polish.
- You do not need to oil your fan. The motor has permanently-lubricated sealed ball bearings.

# Troubleshooting

Problem	Solution
The fan will not start.	<ul style="list-style-type: none"><li><input type="checkbox"/> Check the main and branch circuit fuses or breakers.</li><li><input type="checkbox"/> Check the line wire connections to the fan and switch wire connections in the switch housing.</li></ul>
The fan is noisy.	<ul style="list-style-type: none"><li><input type="checkbox"/> Ensure all motor housing screws are snug.</li><li><input type="checkbox"/> Ensure the screws that attach the fan blade bracket to the motor hub are tight.</li><li><input type="checkbox"/> Ensure the wire nut connections are not rattling against each other or the interior wall of the switch housing.</li><li><input type="checkbox"/> Allow a 24-hour "breaking in" period. Most noises associated with a new fan disappear during this time.</li><li><input type="checkbox"/> Ensure your outlet box is secure and rubber isolator pads were used between the mounting plate and outlet box.</li></ul>
The fan wobbles.	<ul style="list-style-type: none"><li><input type="checkbox"/> Check that all blade and blade arm screws are secure.</li><li><input type="checkbox"/> Most fan wobble problems are caused when blade levels are unequal. Check this level by selecting a point on the ceiling above the tip of one of the blades. Measure from a point on the center of the blade to the point on the ceiling. Rotate the fan until the next blade is positioned for measurement, and measure from the same point on each blade to the ceiling. Repeat for each blade. Any measurement deviation should be within 1/8 in. Run the fan for ten minutes.</li></ul>

This equipment has been tested and found to comply with the limits for a Class B digital device, pursuant to Part 15 of the FCC Rules. These limits are designed to provide reasonable protection against harmful interference in a residential installation. This equipment generates, uses and can radiate radio frequency energy and, if not installed and used in accordance with the instructions, may cause harmful interference to radio communications. However, there is no guarantee that interference will not occur in a particular installation. If this equipment does cause harmful interference to radio or television reception, which can be determined by turning the equipment off and on, the user is encouraged to try to correct the interference by one or more of the following measures:

- Reorient or relocate the receiving antenna.
- Increase the separation between the equipment and receiver.
- Connect the equipment into an outlet on a circuit different from that to which the receiver is connected.
- Consult the dealer or an experienced radio/TV technician for help.

**CAUTION:**

Any changes or modifications not expressly approved by the grantee of this device could void the user's authority to operate the equipment.

This device complies with Part 15 of the FCC Rules. Operation is subject to the following two conditions: (1) This device may not cause harmful interference, and (2) this device must accept any interference received, including interference that may cause undesired operation.



Questions, problems, missing parts? Before returning to the store,  
call Home Decorators Collection Customer Service  
8 a.m. - 7 p.m., EST, Monday-Friday, 9 a.m. - 6 p.m., EST, Saturday

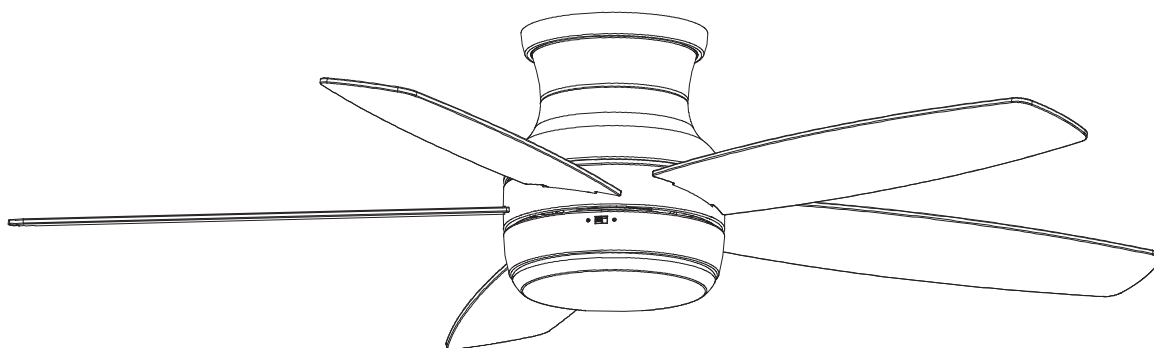
**1-800-986-3460**

**[HOMEDEPOT.COM/HOMEDECORATORS](http://HOMEDEPOT.COM/HOMEDECORATORS)**

Retain this manual for future use.

# GUÍA DE USO Y MANTENIMIENTO

## VENTILADOR DE TECHO ASHBY PARK, 52 PLG (1.32 M)



¿Preguntas, problemas o piezas en falta? Antes de devolver a la tienda,  
llamar al servicio al cliente de Home Decorators Collection,  
De lunes a viernes, entre 8:00 a.m. y 7:00 p.m. (ESTE), y los sábados de 9:00 a.m. a 6:00 p.m. (ESTE).

1-800-986-3460

[HOMEDEPOT.COM/HOMEDECORATORS](http://HOMEDEPOT.COM/HOMEDECORATORS)

Antes de comenzar >>> INSTRUCCIONES INTERACTIVAS EN 3D  
SE ENCUENTRAN EN BILT®  
DESCARGUE EL APP GRATIS



BILT®

Available on the App Store

GET IT ON Google Play

### GRACIAS POR TU COMPRA

*Apreciamos la plena confianza depositada en Home Decorators Collection al comprar este ventilador de techo. Nos esforzamos en crear continuamente productos de calidad diseñados para mejoras del hogar. Visítanos por Internet para ver nuestra línea completa de productos disponibles a fin de satisfacer la necesidades de mejoras de tu hogar. ¡Gracias por elegir Home Decorators Collection!*

# Tabla de contenido

Tabla de contenido .....	2	Ensamblaje.....	7
Información de seguridad.....	2	Funcionamiento .....	11
Garantía .....	3	Mantenimiento y limpieza.....	12
Preinstalación .....	3	Solución de problemas .....	12
Instalación.....	6		

## Información de seguridad

### LEE Y GUARDA ESTAS INSTRUCCIONES.

1. Para disminuir el riesgo de descarga eléctrica hay que garantizar el corte de electricidad en el cortacircuitos o en la caja de fusibles antes de comenzar.
2. Todo el cableado tiene que cumplir con el Código Nacional de Electricidad ANSI/NFPA 70-1999 y con los códigos locales de electricidad. La instalación eléctrica debe hacerse por un electricista calificado con licencia.
3. La caja eléctrica y estructura de soporte tienen que montarse de forma segura para poder sostener con confianza 35 lb. (15.9 kg). Usa solo cajas eléctricas aprobadas por UL y marcadas como "apropiadas para sostener ventiladores de 35 lb (15.9 kg) o menos."
4. El ventilador tiene que montarse con separación mínima de 7 pies (2.13 m) entre sus bordes de salida y el piso.
5. No usar el interruptor de reversa mientras las aspas del ventilador estén en movimiento. Tienes que apagar el ventilador y detener las aspas antes de invertir su sentido de giro.
6. No colocar objetos en la trayectoria de las aspas.
7. Para evitar lesiones personales o daños al ventilador y otros artículos, hay que tener cuidado al limpiarlo o al trabajar cerca de él.
8. Los diagramas eléctricos son sólo para referencia. Los kits de luces no empacados con el ventilador tienen que estar aprobados por UL y marcados como apropiados para usar con el modelo de ventilador que estás instalando. Los interruptores tienen que estar clasificados de uso general por UL. Para ensamblar bien hay que consultar las instrucciones adjuntas a los kits de luces e interruptores.
9. Después de hacer las conexiones eléctricas, los conductores empalmados deben voltearse hacia arriba y empujarse con cuidado hacia dentro de la caja eléctrica. Los cables deben quedar separados, con el cable y el conductor a tierra del equipo hacia uno de los lados de la caja eléctrica, y el conductor sin conexión a tierra hacia el lado opuesto.
10. Antes de instalar, todos los tornillos de fijación tienen que comprobarse y reajustarse donde sea necesario.



**ADVERTENCIA:** Para reducir el riesgo de lesiones personales, no dobles los soportes de las aspas (también llamados "bridas") durante la instalación o después de esta. No coloques objetos en la trayectoria de las aspas.



**ADVERTENCIA:** Para reducir el riesgo de incendio, descarga eléctrica u otras lesiones, instala sólo en una caja eléctrica clasificada como "apropiada para sostener ventiladores de 35 lb (15.9 kg) o menos", y usa sólo los tornillos incluidos con la caja eléctrica.



**ADVERTENCIA:** Para evitar una posible descarga eléctrica, corta la energía eléctrica en la caja principal de fusibles antes de instalar el cableado. Si crees que no tienes suficiente experiencia o conocimientos sobre cableado eléctrico, contrata a un electricista con licencia.



**ADVERTENCIA:** Los diagramas eléctricos son solo para referencia. Cualquier kit de luces opcional debe estar aprobado por UL y marcado como adecuado para usar con este ventilador.



**ADVERTENCIA:** Para disminuir el riesgo de incendio o descarga eléctrica, este ventilador sólo debe usarse con la pieza # AP-8RD de control de velocidad fabricada por Dawsun Electronic Co., LTD.



**PRECAUCIÓN:** Para reducir el riesgo de lesiones personales hay que usar sólo los tornillos incluidos con la caja eléctrica.



**PRECAUCIÓN:** Para evitar lesiones físicas o daños al ventilador y otros artículos, ten cuidado al limpiarlo o al trabajar cerca de él.

# Garantía

El proveedor garantiza de por vida, a partir de la fecha en que el comprador original lo adquiere, que el motor del ventilador no presenta defectos de fabricación ni de materiales al momento en que es enviado desde la fábrica. El proveedor también garantiza por un período de dos años a partir de la fecha de compra por el comprador original, que todas las demás piezas del ventilador, sin incluir ninguna aspa de vidrio o acrílico, no presentarán ningún defecto de fabricación o de material desde el momento de su salida de la fábrica. Acordamos reparar todos los defectos del tipo antes mencionado, sin cargo alguno o, a nuestra discreción, reemplazar el producto por un modelo de igual calidad o superior si el producto es devuelto. Para obtener servicio de garantía debe presentar una copia del recibo como comprobante de compra. Todos los costos de retiro y reinstalación del producto son su responsabilidad. Los daños a cualquiera de las piezas como resultado de accidentes, uso inadecuado, instalación inadecuada, o debidos a la instalación de cualquier accesorio, no están cubiertos bajo esta garantía. Debido a que las condiciones climáticas pueden variar, esta garantía no cubre ningún cambio en el acabado en bronce, incluyendo óxido, perforación, corrosión, manchas o descascaramiento. Los acabados en bronce de este tipo tienen una vida útil más prolongada cuando se les protege de las condiciones climáticas cambiantes. Es normal cierta "oscilación" y no debe ser considerado como un defecto. Cualquier servicio técnico realizado por personas no autorizadas anulará la garantía. No hay ninguna otra garantía expresa. Mediante la presente, Home Depot Decorators Collection se exime de cualquier garantía, incluyendo pero sin limitarnos a aquellas de comercialización e idoneidad para un fin particular, de acuerdo a lo contemplado por la ley. La duración de cualquier garantía implícita que no se pueda eximir está limitada al período de tiempo especificado en la garantía explícita. Algunos estados no permiten una limitación en la duración de la garantía, por consiguiente la limitación anterior puede no aplicarse a su caso. El minorista no será responsable por daños directos, indirectos o especiales que resulten o deriven del uso o rendimiento del producto excepto en casos en que lo estipule la ley. Algunos estados no permiten la exclusión o limitación de daños directos o indirectos, por lo que la limitación o exclusión anterior podría no aplicarse a su caso. Esta garantía le otorga derechos legales específicos, y es posible que también tenga otros derechos que varían de un estado a otro. Esta garantía sustituye todas las garantías anteriores. Los costos de envío de cualquier devolución de productos hecha como parte de una reclamación de garantía deben ser pagados por el cliente.

Comuníquese con el equipo de servicio al cliente al 1-877-527-0313 o visite [www.HomeDepot.com/homedecorators](http://www.HomeDepot.com/homedecorators).

# Preinstalación

## ESPECIFICACIONES

Tamaño	Velocidad	Voltios	Amperios	Watts	RPM (revoluciones por minuto)	Pies <sup>3</sup> /min	Peso neto	Peso bruto	Pies cúbicos
52 plg (1.32 m)	Baja	120	0.26	15	85	2185	19.40 lb (8.8 kg)	22.05 lb (10 kg)	2.134 pies <sup>3</sup>
	Media		0.38	31	130	3324			
	Alta		0.53	63	185	4881			



**NOTA:** Estas medidas son aproximadas. No incluyen ni el amperaje ni el vataje consumido por el kit de luces.



## HERRAMIENTAS NECESARIAS



Destornillador  
Phillips



Destornillador  
plano



Llave  
ajustable



Cinta de  
electricista



Cortacables



Escalera de tijera

# Preinstalación (continuación)

## SE INCLUYEN LOS HERRAJES



NOTA: Los herrajes no se muestran en tamaño real.



AA

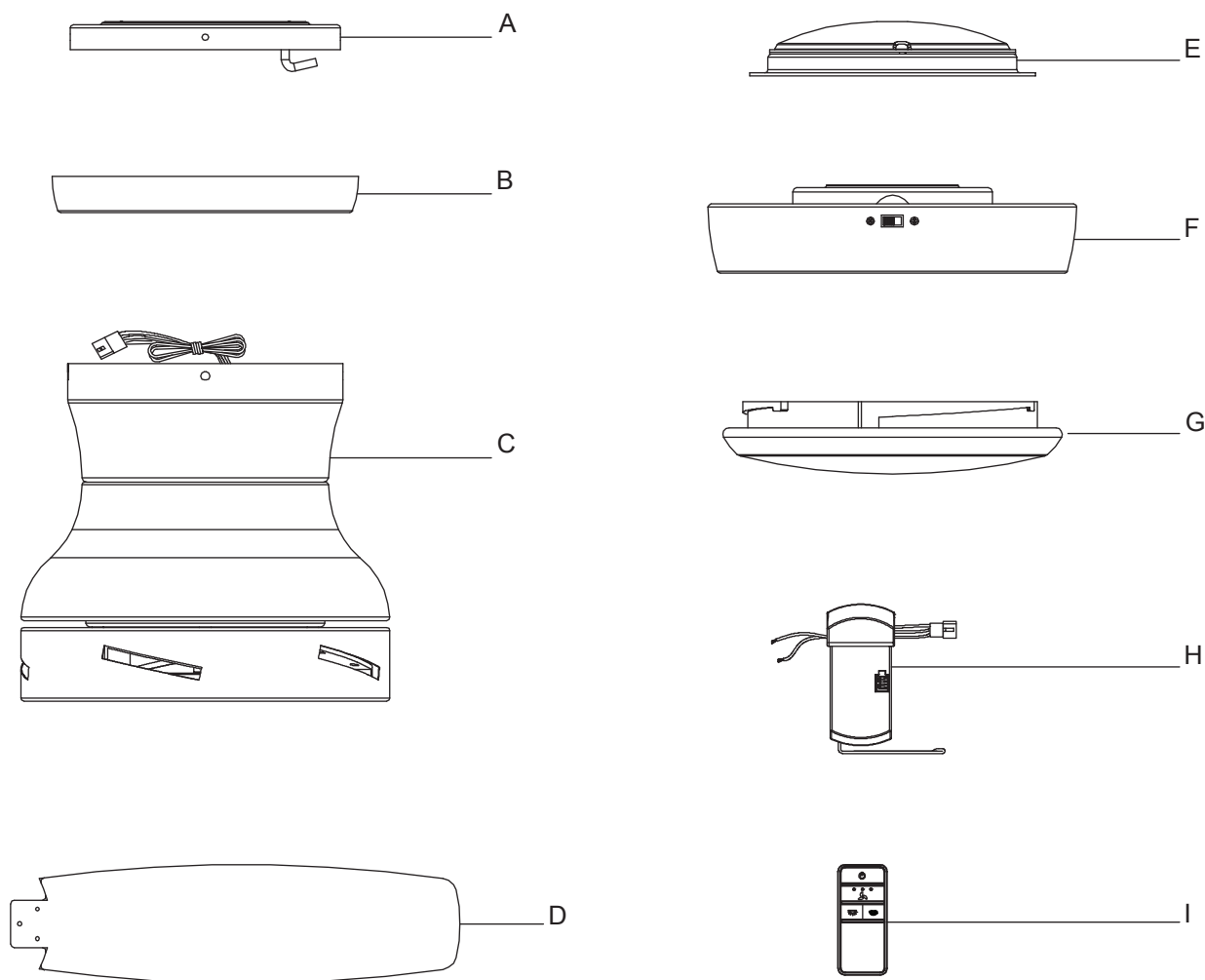


BB

Pieza	Descripción	Cantidad
AA	Tornillos para fijar las aspas	16
BB	Conector plástico para cables	3

# Preinstalación (continuación)

## CONTENIDO DEL PAQUETE



Pieza	Descripción	Cantidad
A	Placa de montaje	1
B	Aro de la moldura	1
C	Conjunto motor-ventilador	1
D	Aspa	5



**IMPORTANTE:** Este producto y/o sus componentes están protegidos por una o más de las siguientes patentes en EE. UU.: 5,947,436; 5,988,580; 6,010,110; 6,046,416; 6,210,117, así como otras patentes pendientes.

Pieza	Descripción	Cantidad
E	Conjunto ensamblado del soporte del kit de luces	1
F	Carcasa del kit de luces	1
G	Tazón de vidrio	1
H	Receptor	1
I	Control remoto (incluye batería)	1

# Instalación

## OPCIONES DE MONTAJE

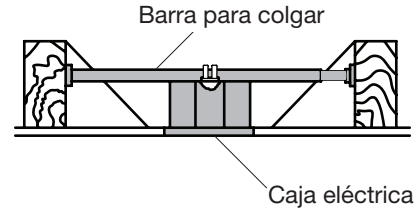


**ADVERTENCIA:** Para reducir el riesgo de incendio, descarga eléctrica y lesiones, instala sólo en una caja eléctrica clasificada como “apropiada para sostener ventiladores de 35 lb (15.9 kg) o menos”, y usa sólo los tornillos incluidos con la caja eléctrica. Una caja eléctrica que suele utilizarse para el soporte de lámparas pudiera no servir como soporte del ventilador y tal vez deba reemplazarse. En caso de duda, consulta a un electricista calificado.

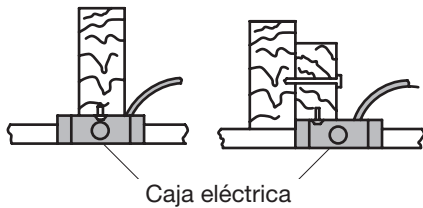
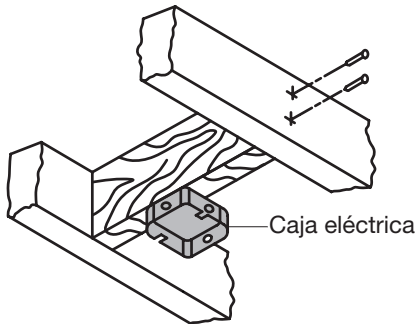
Si tu ventilador de techo no tiene una caja de montaje aprobada por UL, instala una conforme a las instrucciones siguientes:

- ❑ Desconectar la energía retirando los fusibles o apagando los cortacircuitos.
- ❑ Asegura la caja eléctrica directamente a la estructura de la edificación. Usa sujetadores y materiales apropiados. La caja eléctrica y estructura de soporte tienen que montarse de forma segura para poder sostener con confianza 35 lb. (15.9 kg). Usa solo cajas eléctricas aprobadas por UL y marcadas como “apropiadas para sostener ventiladores de 35 lb (15.9 kg) o menos.” No uses una caja eléctrica de plástico.

Las ilustraciones a continuación muestran dos maneras diferentes de montar la caja eléctrica.



Para colgar el ventilador donde ya haya una lámpara pero ninguna viga de techo, tal vez necesites una barra de instalación colgante como se muestra arriba (disponible en cualquier tienda de The Home Depot).



# Ensamblaje - Cómo colgar el ventilador

## 1 Cómo fijar el ventilador a la caja eléctrica

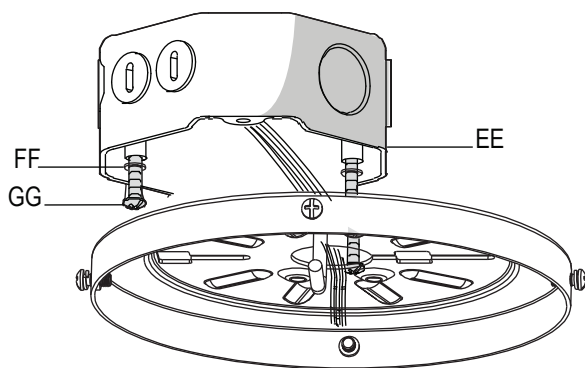


**ADVERTENCIA:** Para evitar una posible descarga eléctrica, desconecta la electricidad en la caja principal de fusibles antes cablear. Si crees que no tienes suficiente conocimiento o experiencia sobre cableado eléctrico, contacta a un electricista con licencia.



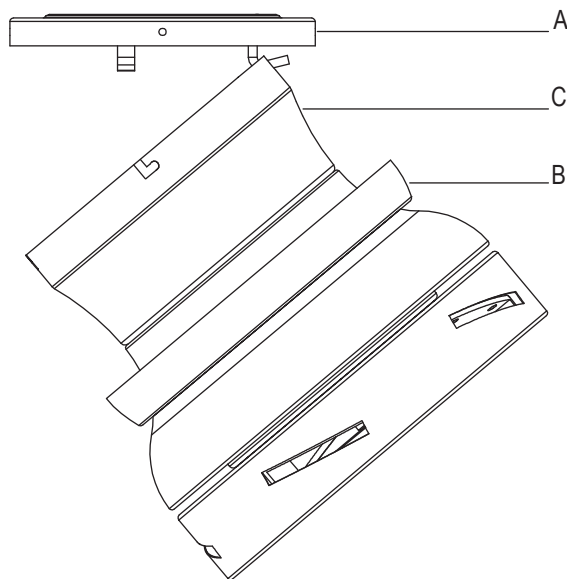
**NOTA:** Asegura que la placa de montaje esté nivelada para garantizar mejor rendimiento del ventilador. Pueden necesitarse arandelas adicionales (FF) (no incluidas) para insertar entre la caja eléctrica y la placa de montaje.

- Corta la electricidad.
- Afloja, sin quitarlos, los dos tornillos de montaje (GG) suministrados con la caja eléctrica.
- Fija con seguridad la placa de montaje (A) a la caja eléctrica deslizando aquella sobre los dos tornillos (GG) suministrados con la caja eléctrica. Saca los cables de alimentación de 120 V (negro, blanco y a tierra) fuera de la caja eléctrica (EE) y a través del orificio en la placa de montaje (A); colócalos a un costado.



## 2 Cómo colgar el conjunto motor-ventilador

- Fija el aro de la moldura (B) al conjunto motor-ventilador (C) desde la abertura de la carcasa del motor. Asegura que las ranuras del aro de la moldura (B) queden en la parte superior.
- Levanta con cuidado el conjunto motor-ventilador (C) y cuélgalo del gancho de la placa de montaje (A) utilizando uno de los orificios de la moldura exterior de la carcasa del motor para dejarlo suspendido de forma segura. Enseguida conecta el cableado a tu ventilador de acuerdo con el paso 4: "Cómo hacer las conexiones eléctricas".



# Ensamblaje - Cómo colgar el ventilador (continuación)

## 3 Cómo configurar el código del control remoto y el receptor

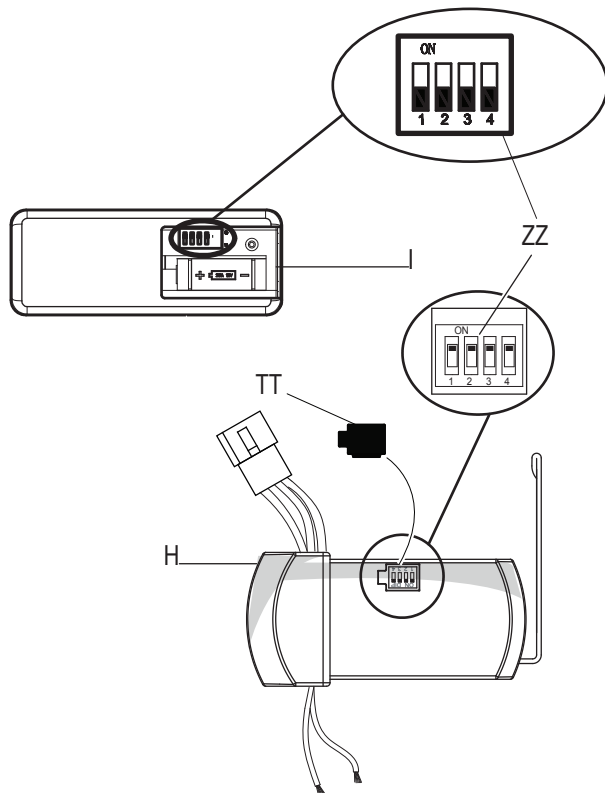


**NOTA:** Las frecuencias del receptor y de la unidad de mano han sido preconfiguradas en la fábrica. Antes de instalar el receptor, asegúrate de que los interruptores en línea del receptor y de la unidad de mano estén configurados en la misma frecuencia. Los interruptores en línea en la unidad de mano están ubicados dentro del compartimiento de la batería.



**NOTA:** La batería se debilitará con el tiempo y deberá ser reemplazada antes de que se produzca alguna fuga, ya que esto dañará la unidad de mano. Mantén la batería fuera del alcance de los niños y deséchala adecuadamente tras agotarse.

- ❑ Quita la cubierta de la batería del control remoto (I) presionando con firmeza sobre la flecha y deslizando la cubierta hasta liberarla.
- ❑ Desliza los interruptores en línea (ZZ) hacia arriba o abajo según prefieras. La configuración de fábrica es hacia arriba.
- ❑ Desliza los interruptores en línea (ZZ) sobre el receptor (H) hacia la misma posición fijada para el control remoto (I).
- ❑ Instala la batería de 23 A y 12 V (incluida).
- ❑ Coloca de nuevo la cubierta de la batería en el control remoto (I).
- ❑ Inserta el tapón de hule de silicona (TT) en el orificio del receptor (H) para cubrir los interruptores en línea.



## 4 Cómo hacer las conexiones eléctricas

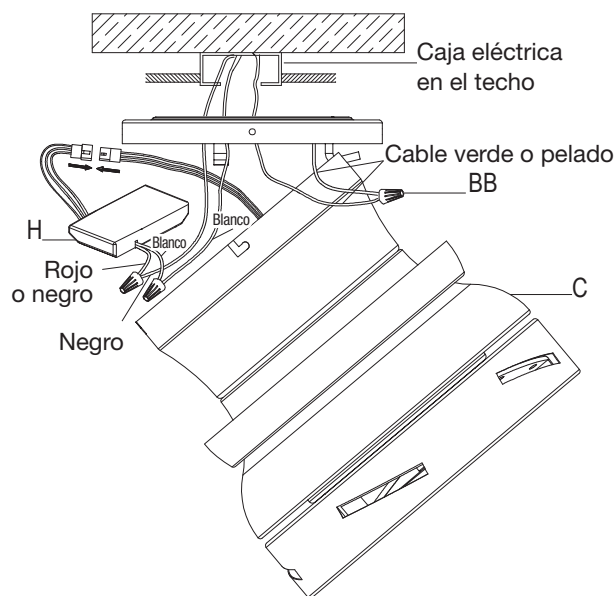


**ADVERTENCIA:** Cada tuerca para cable incluida con este ventilador está diseñada para cables domésticos calibre 12 como máximo y dos cables del ventilador. Si tu cableado doméstico tiene calibre mayor de 12 o más de un cable para conectar al cableado del ventilador, consulta a un electricista para saber el tamaño adecuado de las tuercas a usar para los cables.



**IMPORTANTE:** Usa los conectores de cables plásticos (BB) incluidos con tu ventilador. Sujeta los conectores con cinta de electricista y asegúrate de que no haya conexiones ni cables sueltos.

- ❑ Separa los cables de manera que los cables verde y blanco queden de un lado de la caja eléctrica y el cable negro, del otro lado.
- ❑ Conectar los cables verdes del ventilador al cable con conexión a tierra del hogar (puede ser verde o pelado) con una tuerca de conexión de cables (BB).
- ❑ Conectar el cable rojo o negro del receptor (H) al cable negro (positivo) del hogar usando una tuerca de conexión de cables (BB).
- ❑ Conecta el cable blanco del receptor (H) al cable blanco del hogar (neutro) usando una tuerca de conexión de cables (BB).
- ❑ Asegura cada tuerca de conexión de cables con cinta de electricista.
- ❑ Conecta los cables del receptor (H) con los del ventilador uniendo el enchufe del adaptador moldeado del receptor (H) con el adaptador moldeado del conjunto motor-ventilador (C).





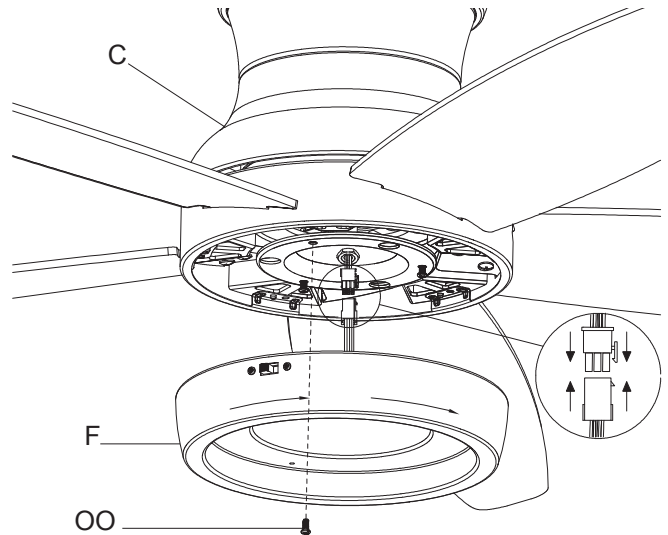
# Ensamblaje - Cómo instalar el kit de luces

## 8 Cómo instalar la carcasa del kit de luces



**IMPORTANTE:** Es crucial instalar la carcasa del kit de luces usando el conector rápido. El ventilador no funcionará a menos que la carcasa del kit de luces esté conectada a él.

- Quita un tornillo (OO) del soporte negro debajo del conjunto motor-ventilador (C); afloja los otros dos tornillos sin quitarlos.
- Une el conector de 9 clavijas que sale de la parte inferior del conjunto motor-ventilador (C) con el conector de 9 clavijas de la carcasa del kit de luces (F). Asegura que los conectores encajen por completo.
- Empuja la carcasa del kit de luces (F) hacia el conjunto del motor y el ventilador (C) de manera que los dos tornillos aflojados encajen en los orificios tipo ojo de cerradura. Gira la carcasa del kit de luces (F) hacia la derecha.
- Reinstala el tornillo (OO) que retiraste en el paso 1.
- Asegúrate de que todos los tornillos están firmemente apretados.

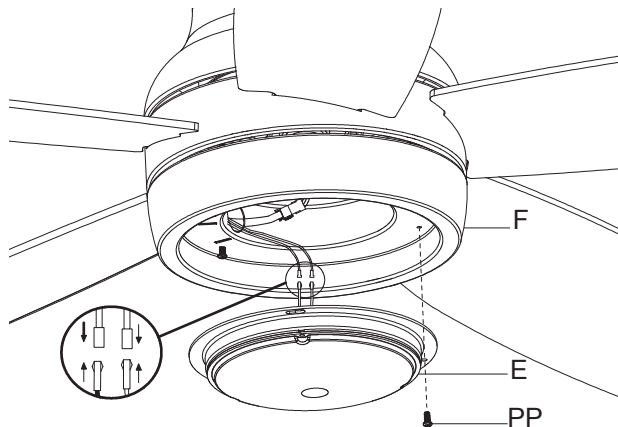


## 9 Cómo instalar el conjunto del soporte del kit de luces



**PRECAUCIÓN:** Para disminuir el riesgo de descarga eléctrica, desconecta el circuito de energía del ventilador antes de instalar el kit de luces.

- Quita un tornillo (PP) de la carcasa del kit de luces (F) y afloja los otros dos sin quitarlos.
- Conecta los cables del conjunto ensamblado de soporte del kit de luces (E) a los cables de la carcasa del kit (F) uniendo los enchufes moldeados del adaptador. Coloca con cuidado todos los cables y empalmes dentro de la caja del interruptor.
- Empuja el conjunto ensamblado del soporte del kit de luces (E) hasta la carcasa del kit (F) de manera que las dos cabezas de los tornillos aflojados encajen en las ranuras tipo ojo de cerradura. Gira el conjunto ensamblado del soporte del kit de luces (E) hacia la derecha.
- Reinstala el tornillo (PP) que retiraste en el paso 1.
- Asegúrate de que todos los tornillos están firmemente apretados.



## 10 Cómo instalar el tazón de vidrio

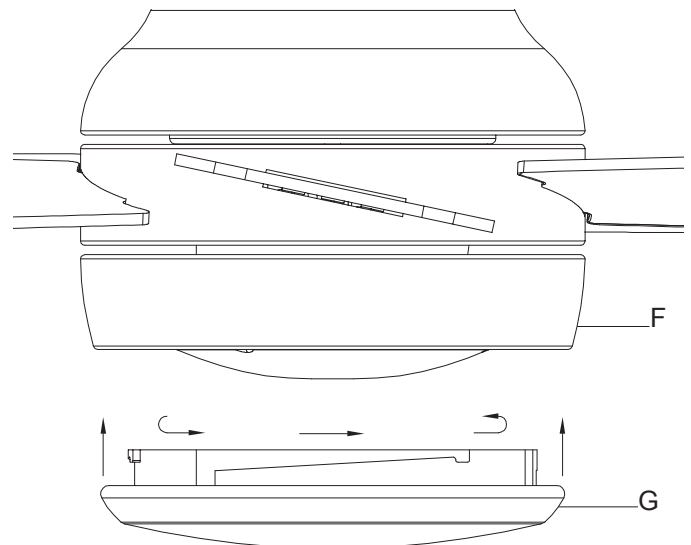


**ADVERTENCIA:** Espera que el tazón de vidrio se enfríe completamente antes de retirarlo.



**PRECAUCIÓN:** Asegúrate de que la corriente esté cortada antes de montar o retirar el tazón de vidrio.

- Coloca el tazón de vidrio (G) en la carcasa del kit de luces (F) alineando las tres áreas planas en la brida superior del tazón (G) con las tres muescas salientes de la carcasa.
- Gira el tazón de vidrio (G) hacia la derecha hasta que se detenga.



# Funcionamiento



**NOTA:** Espera a que se detenga el ventilador antes de invertir la dirección de giro de las aspas.

## Control remoto

Tu ventilador está equipado con un control remoto que controla la velocidad y la luz de tu nuevo ventilador de techo.

Las configuraciones de velocidad para clima cálido o frío dependen de factores tales como tamaño de la habitación, altura del techo, cantidad de ventiladores y otros.

Este ventilador se envía desde la fábrica con el interruptor de reversa (YY) en posición de circular el aire hacia abajo. Si deseas flujo de aire en sentido contrario, apaga el ventilador y espera a que las aspas se detengan. Enseguida desliza el interruptor de reversa (ubicado sobre la carcasa del motor) en el sentido opuesto y vuelve a encender el ventilador. Las aspas del ventilador girarán en sentido contrario e invertirán el flujo del aire.

**Clima cálido - (Hacia adelante)** Un flujo de aire descendente surte un efecto refrescante. Esto permite configurar tu equipo de aire acondicionado a temperatura más alta sin afectar tu comodidad.

**Clima frío - (Reversa)** Un flujo de aire hacia arriba desplaza el aire cálido lejos del techo. Esto permite configurar la unidad de calefacción a temperatura más baja sin afectar tu comodidad.

## Cómo usar tu ventilador y control remoto



**ENCENDIDO/APAGADO:** Presiona y suelta el botón para encender o apagar el ventilador y la luz.



**Velocidades del ventilador** Las luces LED en el botón de velocidad del ventilador indicarán aquella correspondiente.

Presionar y soltar 1 vez para encender el ventilador a velocidad alta.

Presionar y soltar 2 veces para encender el ventilador a velocidad media.

Presionar y soltar 3 veces para encender el ventilador a baja velocidad.

Presionar y soltar 4 veces para apagar el ventilador.



## Encendido y apagado de luces (ON/OFF)

Presiona y suelta el botón para encender o apagar la luz.

Presiona y mantén presionado el botón para activar la función de regulación de intensidad luminosa.



## Cómo cambiar la temperatura de color correlacionada (CCT)



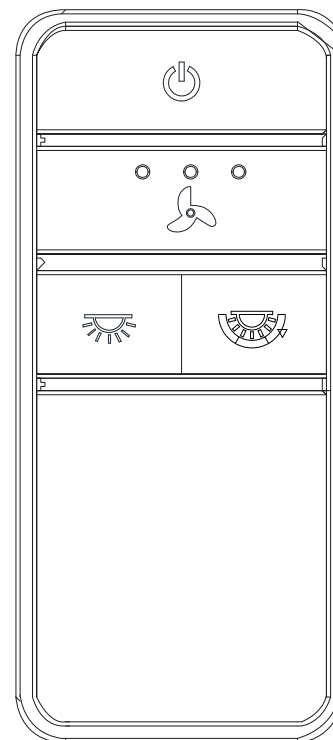
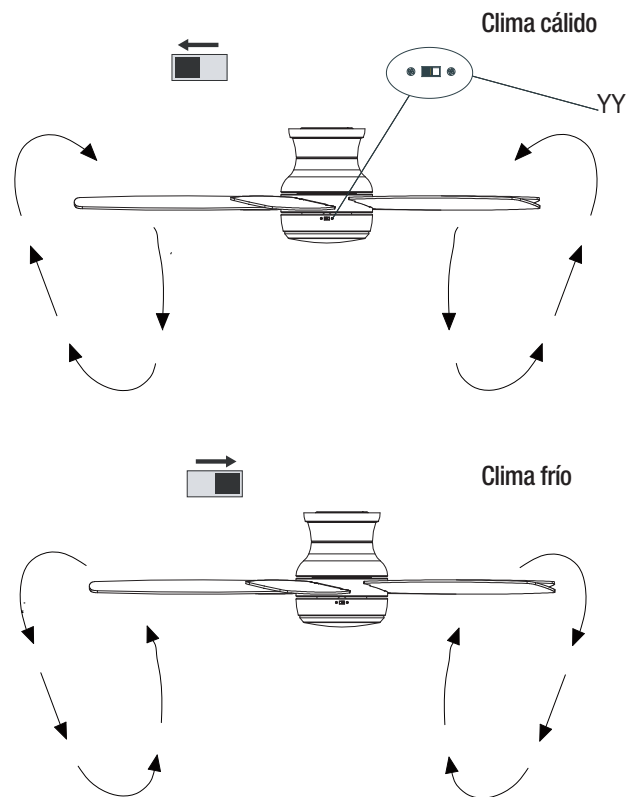
**NOTA:** La temperatura configurada por defecto de la luz del ventilador de techo es de 3000K (Suave blanca).

Presiona y suelta el botón para pasar por las tres opciones de color según la temperatura.

Opción 1: 2700K (Blanca cálida)

Opción 2: 3000K (Blanca suave)

Opción 3 5000K (Luz natural)



# Cuidado y limpieza



**ADVERTENCIA:** Asegura que la fuente de corriente está apagada antes de limpiar el ventilador.

- Debido al movimiento natural del ventilador, algunas conexiones pueden aflojarse. Revisa dos veces al año las conexiones de soporte, los soportes y los accesorios de las aspas. Comprueba que estén seguros. No es necesario desmontar el ventilador del techo.
- Hay que limpiar el ventilador con frecuencia para que luzca como nuevo al paso de los años. No usar agua al limpiarlo. Esto puede dañar el motor o la madera e incluso provocar descarga eléctrica. Usar sólo un cepillo suave o un paño sin pelusas para evitar arañar el acabado. El revestimiento está sellado con laca para minimizar la decoloración u opacidad.
- Puedes aplicar a la madera una fina capa de pulimento para muebles y asegurar así mayor protección y superior belleza. Cubre los rayones diminutos con una ligera aplicación de lustrador para calzado.
- No necesitas lubricar tu ventilador. El motor tiene cojinetes de bola sellados y permanentemente lubricados.

# Solución de problemas

Problema	Solución
El ventilador no enciende.	<ul style="list-style-type: none"><li><input type="checkbox"/> Verifica los fusibles o cortacircuitos principales y secundarios.</li><li><input type="checkbox"/> Verifica las conexiones de cables tanto en línea con el ventilador como en el interruptor de la caja correspondiente.</li></ul>
El ventilador hace ruido.	<ul style="list-style-type: none"><li><input type="checkbox"/> Garantiza que todos los tornillos de la carcasa del motor estén ajustados.</li><li><input type="checkbox"/> Garantiza que los tornillos que unen el soporte de aspa al cuerpo del motor estén bien apretados.</li><li><input type="checkbox"/> Garantiza que las conexiones de tuerca de cable no choquen unas con otras ni con la pared interior de la caja del interruptor.</li><li><input type="checkbox"/> Deja que pasen 24 horas como período de “adaptación”. La mayoría de los ruidos asociados a un ventilador nuevo desaparecen en ese lapso.</li><li><input type="checkbox"/> Asegura que la caja eléctrica quede bien ajustada y que se hayan instalado almohadillas aislantes de hule entre la placa de montaje y la caja eléctrica.</li></ul>
El ventilador oscila.	<ul style="list-style-type: none"><li><input type="checkbox"/> Verifica que todas las aspas y los tornillos de sus brazos estén bien ajustados.</li><li><input type="checkbox"/> La mayoría de los problemas de oscilación del ventilador se deben a que las aspas no están al mismo nivel. Verifica este nivel seleccionando un punto en el techo sobre la punta de una de las aspas. Mide desde un punto en el centro de cada aspa a un punto en el techo. Rota el ventilador hasta que la siguiente aspa esté en posición para medir y mide desde el mismo punto en cada aspa hasta el techo. Repite el procedimiento para cada aspa. Las desviaciones de la medición no deben pasar de 1/8 plg (0.32 cm). Deja que el ventilador funcione durante diez minutos.</li></ul>

Este equipo fue sometido a prueba y se determinó que cumple con los límites establecidos para un dispositivo digital Clase B según la Parte 15 de las Normas FCC. Estos límites fueron establecidos para dar protección razonable contra la interferencia dañina en uso residencial. Este equipo genera, consume y puede irradiar energía de radiofrecuencia; si no se instala y usa de acuerdo con las instrucciones, puede causar interferencia nociva a comunicaciones radiales. Sin embargo, no hay garantía de que no ocurrirá interferencia en cierta instalación particular. Si este equipo causa interferencia perjudicial a la recepción de radio o televisión, que puede determinarse encendiendo y apagando el equipo, se recomienda al usuario tratar de corregir la interferencia con una o más de las siguientes medidas:

- Reorientar o reubicar la antena receptora.
- Incrementar la distancia entre los equipos y el receptor.
- Conectar el equipo a un tomacorriente en circuito distinto del receptor.
- Consultar al concesionario o a un técnico de radio/TV con experiencia para ayuda.

**PRECAUCIÓN:**

Los cambios o modificaciones sin aprobación expresa del responsable de este dispositivo podrían anular el derecho del usuario a operar el equipo.

Este dispositivo cumple con la Parte 15 de las Normas FCC. Su operación está sujeta a las dos condiciones siguientes: (1) Este dispositivo no debe causar interferencia dañina y (2) tiene que aceptar cualquier interferencia recibida, incluyendo aquella que pudiera afectar su funcionamiento.



¿Preguntas, problemas o piezas en falta? Antes de devolver a la tienda,

llamar al servicio al cliente de Home Decorators Collection,

De lunes a viernes, entre 8:00 a.m. y 7:00 p.m. (hora del Este), y los sábados de 9:00 a.m. a 6:00 p.m. (hora del Este).

**1-800-986-3460**

**HOMEDPOT.COM/HOMEDECORATORS**

Conserva este manual para uso futuro.