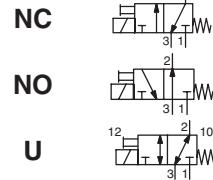




SOLENOID VALVES

ISO 15218 (CNOMO, size 30) interface
 direct operated, pad mounting body
 instant fittings or G1/8 - G1/4 subbases



3/2
 Series
192

FEATURES

- CNOMO pad-mount version for valve piloting applications
- Compact size and low weight for easy installation on single or joinable subbases
- AC/DC interchangeability of the solenoid operator without any need for disassembly of the valve
- Version with M12 connection with visual indication and peak voltage suppression conforming to "UL" standards
- Flexible installation on joinable subbases
- Manual operator as standard
- The solenoid valves satisfy all relevant EU directives

GENERAL

Differential pressure See "SPECIFICATIONS" [1 bar = 100 kPa]
Maximum allowable pressure 16 bar
Response time 7 ms

fluids (*)	temperature range (TS)	seal materials (*)
air, inert gas	- 10°C à + 60°C	NBR (nitrile) PUR (polyurethane)

MATERIALS IN CONTACT WITH FLUID

(*) Ensure that the compatibility of the fluids in contact with the materials is verified

Body PAM, glass-filled
Core tube Stainless steel
Core and plugnut Stainless steel
Internal parts, springs Stainless steel
Seals NBR, PUR
Shading coil Copper

CONSTRUCTION

Mounting pad NC ISO 15218 (CNOMO 06-05-80 / NF E49-066, size 30)
 NO - U NF E 49-066

ELECTRICAL CHARACTERISTICS

Coil insulation class F
Connector Spade plug (cable Ø 6-10 mm) or M12
Connector specification ISO 4400 / EN 175301-803, form A
 or CNOMO E03.62.520.N (M12)

Electrical safety IEC 335
Electrical enclosure protection Moulded IP67 (EN 60529)

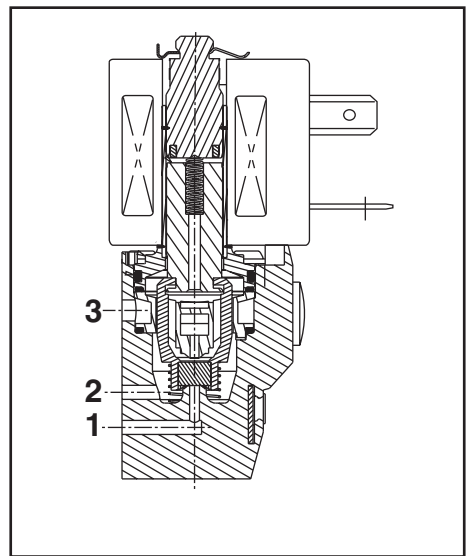
Standard voltages DC (=): 24V - 48V (M12: 24V + LED and protection)
 AC (~): 24V - 48V - 115V - 230V / 50 Hz

	power ratings			operator ambient temperature range (TS) (C°)	replacement coil		type ⁽¹⁾	
	inrush ~	holding ~	hot/cold =		~	=		
	(VA)	(VA) (W)	(W)		230 V/50 Hz	24 V DC		
-	9	4	3	3 / 3	-10 to + 60	43005627	43005642	01
						-	43005664	06

⁽¹⁾ Refer to the dimensional drawings on the following page.

SPECIFICATIONS

pipe size	orifice size		flow at 6 bar		flow coefficient		operating pressure differential (bar)			power coil (W)		catalogue number							
	1 → 2	2 → 3	1 → 2	2 → 3	1 → 2	2 → 3	min.	max. (PS)		~	=	without man. operator	maintained man. operator	impulse man. operator	button man. operator	with connector	without connector	M12 connection	
	(mm)	(mm)	(l/min)	(l/min)	(l/min)	(l/min)		air (*)	~										=
NC - Normally closed (with exhaust to the subbase)																			
pad mounting ⁽²⁾	1,9	2,1	105	105	1,5	1,5	0	16	16	3	3	×	●	▼	■	19201004	19201025	19201139	
												19201005	19201026	19201140					
												19201006	19201027	19201141					
	2,1	2,3	112	154	1,6	2,2	0	12	12	3	3	×	●	▼	■	19201001	19201022	19201136	
												19201002	19201023	19201137					
												19201003	19201024	19201138					
												■	19201067	19201073	19201154				
NC - Normally closed (with exhaust 1/8 to the front side)																			
pad mounting ⁽²⁾	1,9	2,1	105	105	1,5	1,5	0	16	16	3	3	×	●	▼	■	19201010	19201031	19201145	
												19201011	19201032	19201146					
												19201012	19201033	19201147					
	2,1	2,3	112	154	1,6	2,2	0	12	12	3	3	×	●	▼	■	19201007	19201028	19201142	
												19201008	19201029	19201143					
												19201009	19201030	19201144					
												■	19201069	19201075	19201156				



00422GB-2017/R02 Availability, design and specifications are subject to change without notice. All rights reserved.

SPECIFICATIONS

pipe size	orifice size		flow at 6 bar		flow coefficient		operating pressure differential (bar)			power coil (W)		catalogue number						
	1 → 2 2 → 3		1 → 2 2 → 3		1 → 2 2 → 3		min.	max. (PS)	air (*)	~	=	without man. operator	maintained man. operator	impulse man. operator	button man. operator	with connector	without connector	M12 connection
	(mm)	(mm)	(l/min)	(l/min)	(l/min)	(l/min)												
NO - Normally open (with exhaust to the subbase)																		
pad mounting ⁽²⁾	2,1	1,9	112	105	1,6	1,5	0	10	10	3	3	×	●	▼	■	19201013	19201034	19201148
												19201014	19201035	19201148				
												19201015	19201036	19201150				
												19201071	19201077	19201158				
U - Universal (with exhaust to the subbase)																		
pad mounting ⁽²⁾	1,5	1,5	56	63	0,8	0,9	0	10	10	3	3	×	●	▼	■	19201019	19201037	19201151
												19201020	19201038	19201152				
												19201021	19201039	19201153				
												19201072	19201078	19201159				

EMBASSES

pipe size	designation	composition	catalogue number
6/6 polyamide subbases			
instant fittings ⁽³⁾	single subbase (instant fittings OD 4 mm)		35300069
	joinable subbase (instant fittings OD 4 mm)		35300070
	set of 2 joinable end subbases, right-hand pressure intake, endpieces with instant fittings OD 6 mm		35300071
	set of 2 joinable end subbases, right-hand and/or left-hand pressure intake, endpieces with instant fittings OD 6 mm		35300072 ⁽⁴⁾
Zamak subbases			
tapped ^(G)	laterally-connected single subbase		35300047
	laterally-connected joinable subbase		35300048
⁽³⁾ 1/4	laterally-connected single subbase (3 connectable ports lateral bore)		35300049
	laterally-connected joinable subbase (3 connectable ports lateral bore)		35300057

⁽²⁾ Port 3: M5.

⁽³⁾ These subbases can be mounted on omega rail to EN 50022 using 2 clips (clips sold in packs of 10, catalogue number: **33400036**).

⁽⁴⁾ The equipment can be used for two different pressure intakes, supplied with one blanking plug to cover unused port.

⁽⁵⁾ 10 bar on request (with 5W/6,9W coil)

OPTIONS

- Explosionproof enclosures for use in zones 1/21-2/22, categories 2-3 to ATEX Directive 2014/34/EU (see "Explosionproof solenoids" section): Ex mb (PV), catalogue numbers: **PV19201001...1072**
- Straight M12 connector (IP67 protection with connector correctly installed): with 5 m cable: catalogue number **88130212**
- Right-angle M12 connector (IP67 protection with connector correctly installed), with 5 m cable: catalogue number **88130213**
- Catalogue number (without connector) + connector catalogue number (with integrated LED indicator and electrical protection): 24 V (~/=), **88122603** - 48 V (~/=), **88122604** - 115 V (~), **88122605** - 230 V (~), **88122608**
- M5 flow control regulator to fit port 3, catalogue number: **34600380**
- Plug with visual indication and peak voltage suppression or with cable length of 2 m (see Solenoids, Coils & Accessories section)

INSTALLATION

- The solenoid valves can be mounted in any position without affecting operation
- Selection of the exhaust port:

to the subbase.
(Collected in subbase)

to front side (G 1/8) equipped with an exhaust plug.
(Exhaust to atmosphere)

- Mounting on single or joinable subbases
- ATEX 2014/34/EU versions (option "PV") can be installed on single (all versions) or joinable zinc diecast subbases
- Pipe connections 1/8 have standard thread according to ISO 228/1
- Installation/maintenance instructions are included with each valve
- M12 electrical connection:

3	-
4	+
5	earth

- Installation/maintenance instructions are included with each valve

ORDERING EXAMPLES:

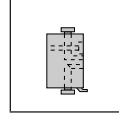
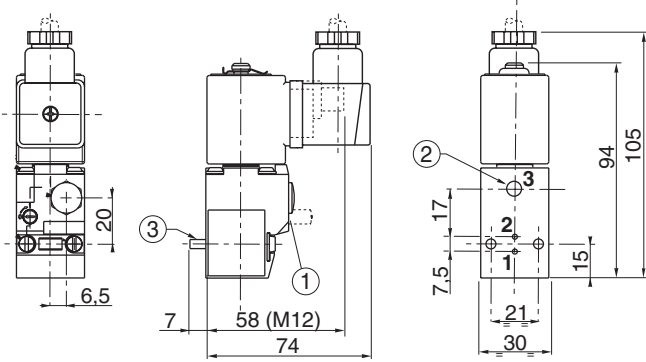
19201001	230V / 50 Hz
19201136	24V / DC
basic number	voltage options

DIMENSIONS (mm), WEIGHT (kg)



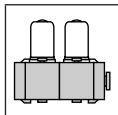
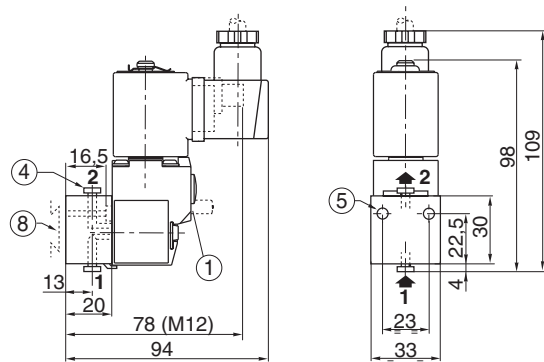
TYPE 01-06
Spade plug / M12
IEC 335 / IP67 / IP65 (M12)
EN 175301-803 (11 mm)
E03.62.520.N, IP65

19000005 to 19000045



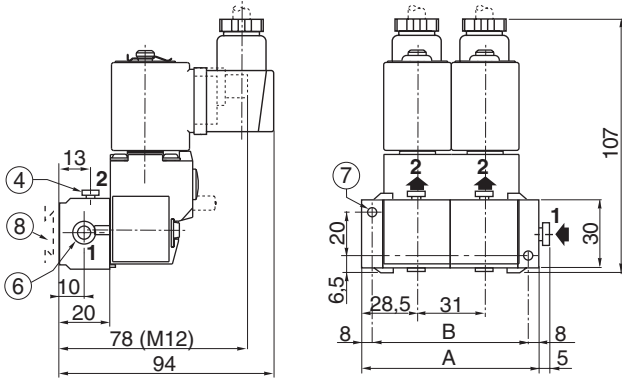
TYPE 02
Single instant fitting subbase
Polyamide

35300069



TYPE 03
Joinable instant fitting subbase
Polyamide

35300070 / 35300071 (set of 2)



type	weight ⁽¹⁾
01	0,270
02	0,135
06	0,260

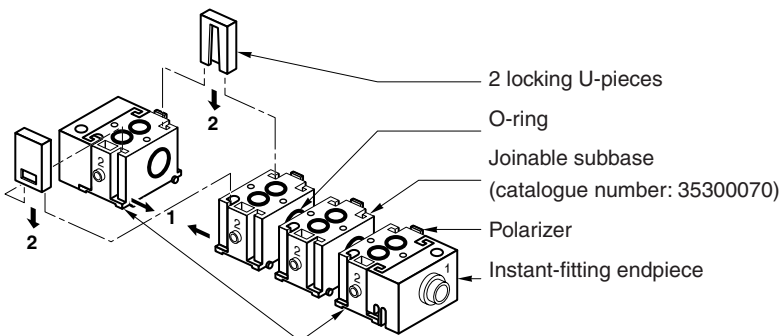
⁽¹⁾ including coil and connector. (except M12 connection type 06)

type	weight ⁽²⁾						
	number of subbases						
	2	3	4	5	6	7	8
03+01	0,595	0,88	1,165	1,45	1,735	2,02	2,305

⁽²⁾ Including seals, set screws and joining unit.

number of subbases	type 03	
	A	B
2	88	72
3	119	103
4	150	134
5	181	165
6	212	196
7	243	227
8	274	258

Right-hand pressure intake option or 2 different pressure intakes by procuring the set of two end subbases with endpieces (catalogue number: 35300072). When mounted on DIN rail, it is recommended to use a securing clip on the end subbases as well as on the central subbase.



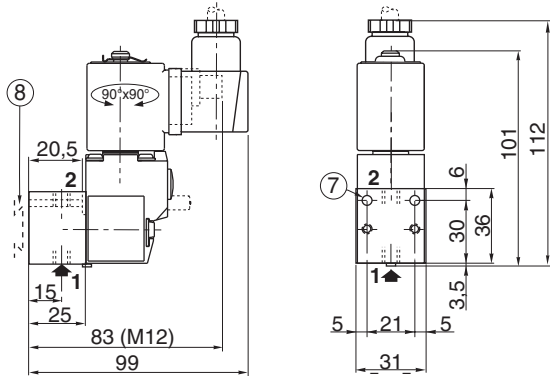
Joinable end subbases with instant-fitting endpieces
(catalogue number: 35300071)

- ① Manual operator location
- ② Port 3: M5, depth 5,5 mm
- ③ Mounting: two CM4x20 screws
- ④ Instant-fitting connection for OD 4 mm tube
- ⑤ Mounting: two dia. 3,5 mm securing holes, dia. 6,5 mm counter-bores, depth 3,5 mm
- ⑥ Instant-fitting connection for OD 6 mm tube
- ⑦ Mounting: two dia. 4,5 mm securing holes
- ⑧ Adaptable clips

DIMENSIONS (mm), WEIGHT (kg)

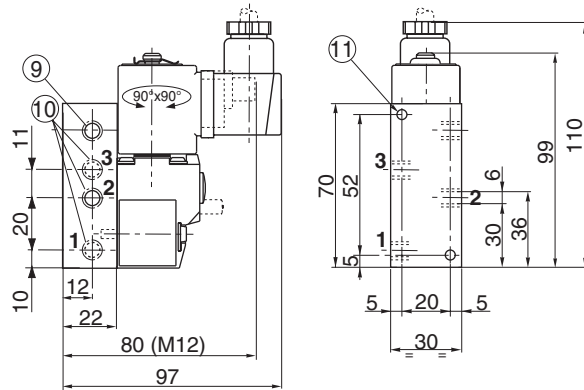
TYPE 04
Single subbase
1/8 - Zamak
NC function only
2 connectable ports

35300047



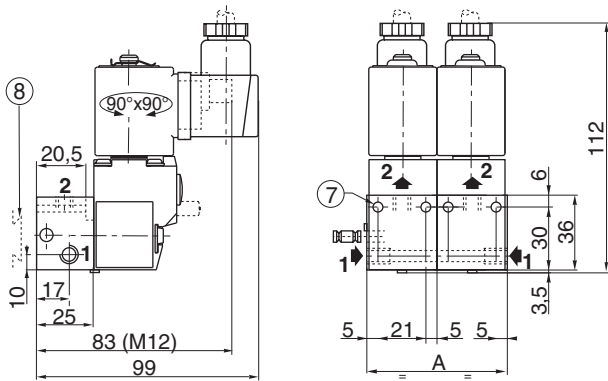
TYPE 04
Single subbase
1/4 - Zamak
NC, NO or U function
3 connectable ports

35300048



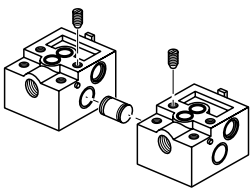
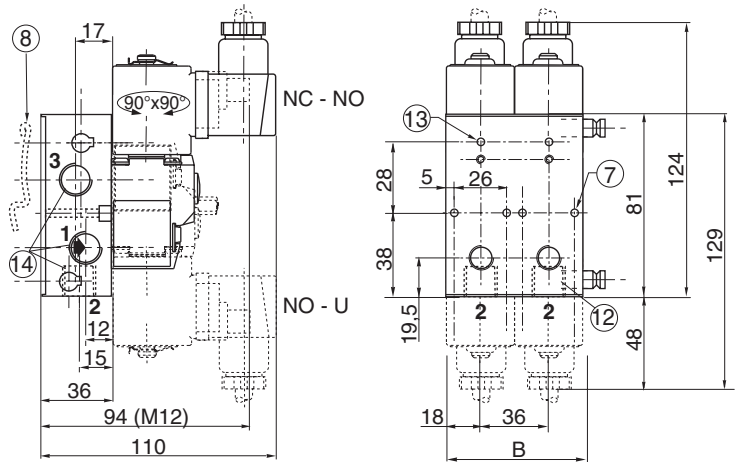
TYPE 06
Joinable subbase
1/8 - Zamak
NC function only
2 connectable ports

35300048



TYPE 07
Joinable subbase
1/4 - Zamak
NC, NO or U function
3 connectable ports

35300057



Joinable subbases assembled with adapter locked by sunk set screws.
For DIN rail mounting: see type 03.

- ⑦ Mounting: two dia. 4,5 mm securing holes
- ⑧ Adaptable clips
- ⑨ Non-used port
- ⑩ Port 3: NC (exhaust) / NO (Inlet pressure)
Port 2: NC - NO (Outlet pressure)
Port 1: NC (Inlet pressure) / NO (exhaust)
U: Pressure entry through any port
- ⑪ Mounting: two dia. 4,5 mm securing holes, dia. 8 mm counter-bores, depth 6 mm
- ⑫ Port 2: Accessible by removing cap
- ⑬ Mounting: two dia. 4,5 mm securing holes, dia. 7,5 mm counter-bores, depth 6 mm
- ⑭ NC-NO-U: Port 3 (exhaust) / Port 2 (Outlet pressure)
Port 1 (Inlet pressure))

type	weight ⁽²⁾						
	number of subbases						
	2	3	4	5	6	7	8
06+01	0,74	1,10	1,48	1,85	2,22	2,59	2,96
07+01	0,88	1,32	1,76	2,2	2,64	3,08	3,52

⁽²⁾ Including seals, set screws and joining unit.

number of subbases	type 06	type 07
	A	B
2	62	72
3	93	108
4	124	144
5	155	180
6	186	216
7	217	252
8	248	288

type	weight ⁽¹⁾
04	0,185
05	0,240
04 + 01	0,455
05 + 01	0,510

⁽¹⁾ including coil and connector.